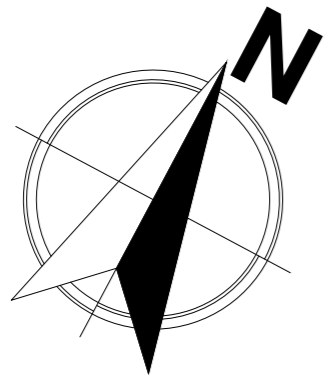


Palestine Polytechnic University
College of Engineering
Civil & Architecture Department
Architectural Engineering



Supervisor :

Dr. Bader Atawneh

Designed by :

Aseel Aljaberi

Drawing Title:

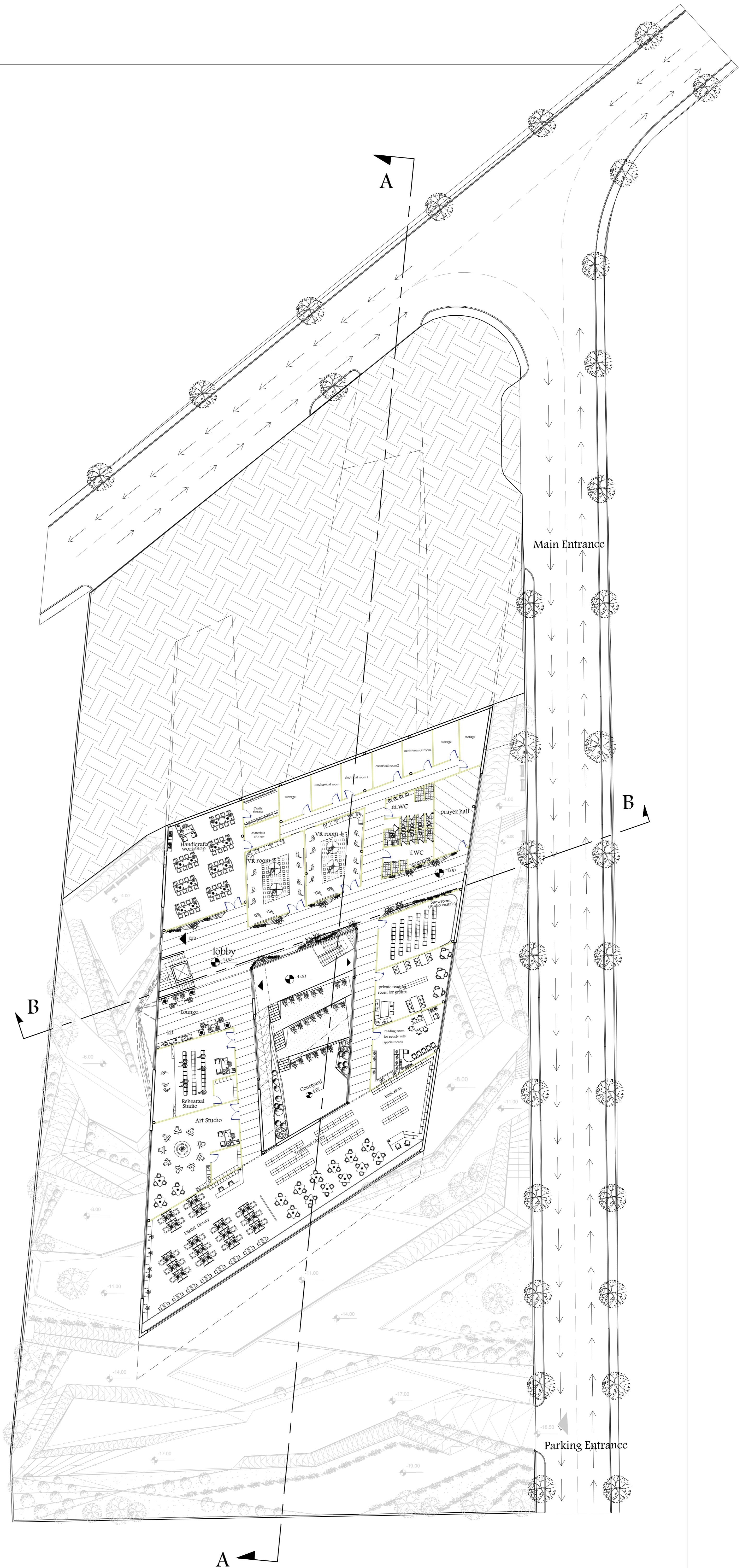
BASEMENT PLAN

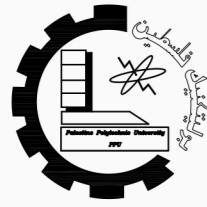
Scale :

Sheet NO :

A4

Date : 10/01/2021





Palestine Polytechnic University
 College of Engineering
 Civil & Architecture Department
 Architectural Engineering



Supervisor :

Dr. Bader Atawneh

Designed by :

Aseel AlJaberi

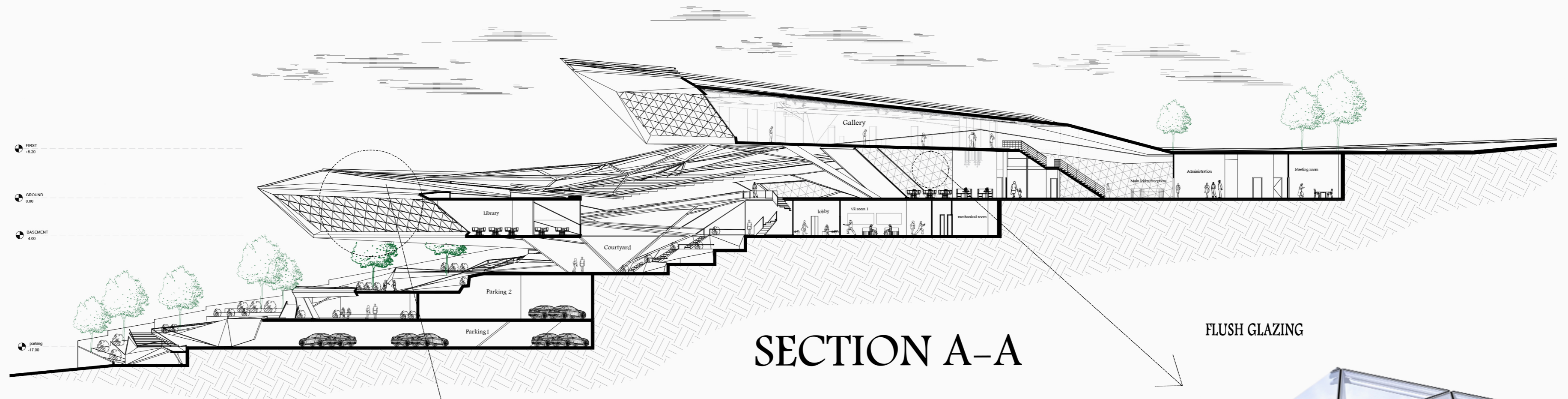
Drawing Title:

CURTAIN WALL DETAILS

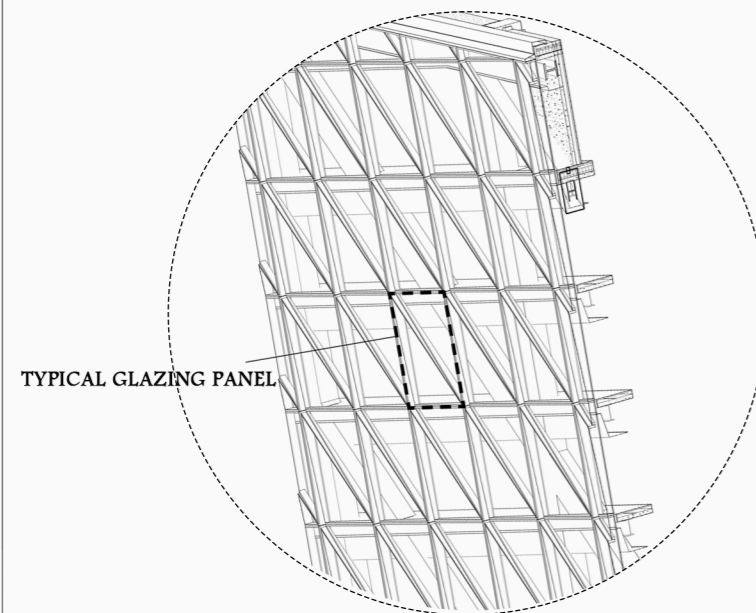
Scale :

Sheet NO : A11

Date : 19/01/2021



SECTION A-A



TYPICAL GLAZING PANEL

CURTAIN WALL TYPE 1

CLOSED CAVITY FACADE SYSTEM, TYPICAL GLAZING PANEL

Roller blind cover:
Natural anodised aluminum extrusion

Spandrel panel:
Natural anodised aluminum sheet

Inner pane glass:
Low-iron triple glazed insulated unit with low emissivity coating for increased overall insulation value

Roller blind:
Fabric type "Shadow III R", with a grey internal colour to maximise the visibility to the outside.

The blind is highly reflective to the outside to increase reflectance and reduce heat absorption

Mullions & transoms:
Natural anodised aluminum extrusions

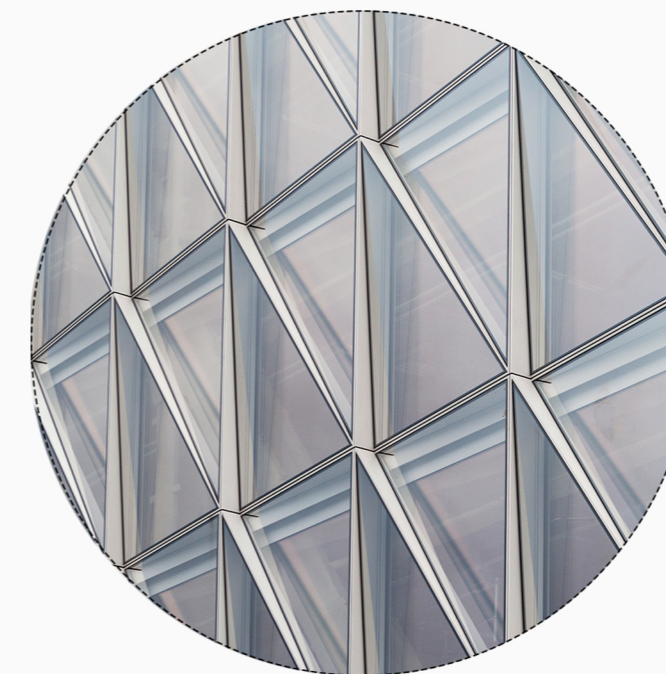
Outer paneiglass:
Low-iron monolithic glass (laminated at ground level)

The solar coating, ipasol bright, reduces solar energy entering the cavity and makes the facade reflect its surroundings

Closed Cavity Facade system

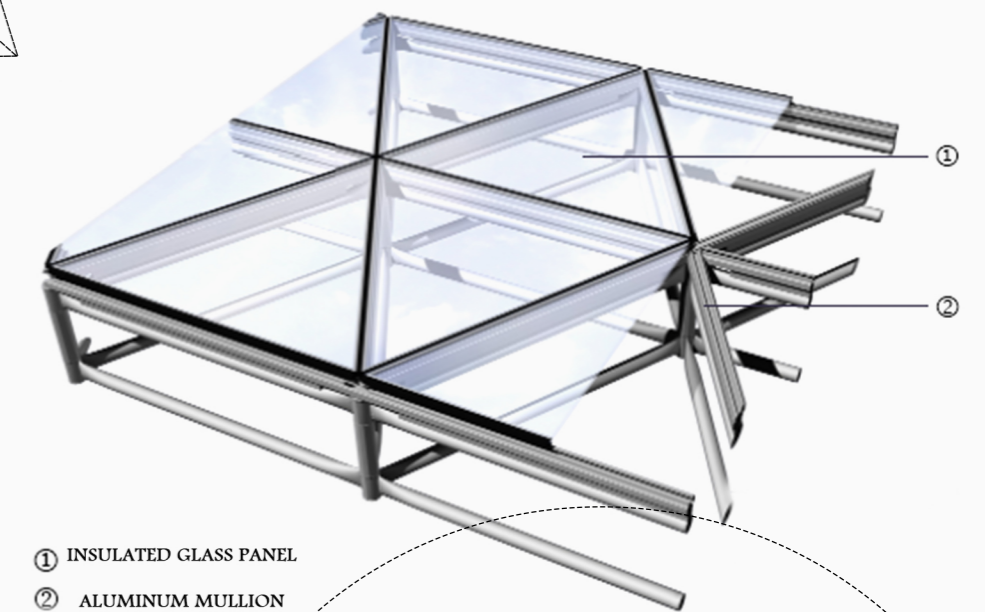
The cavity is sealed and the performance of inner and outer layers of glass and the blinds is balanced to ensure good conditions in summer and winter.

- High performance
- Less frequent cleaning
- Shading device is less prone to damage

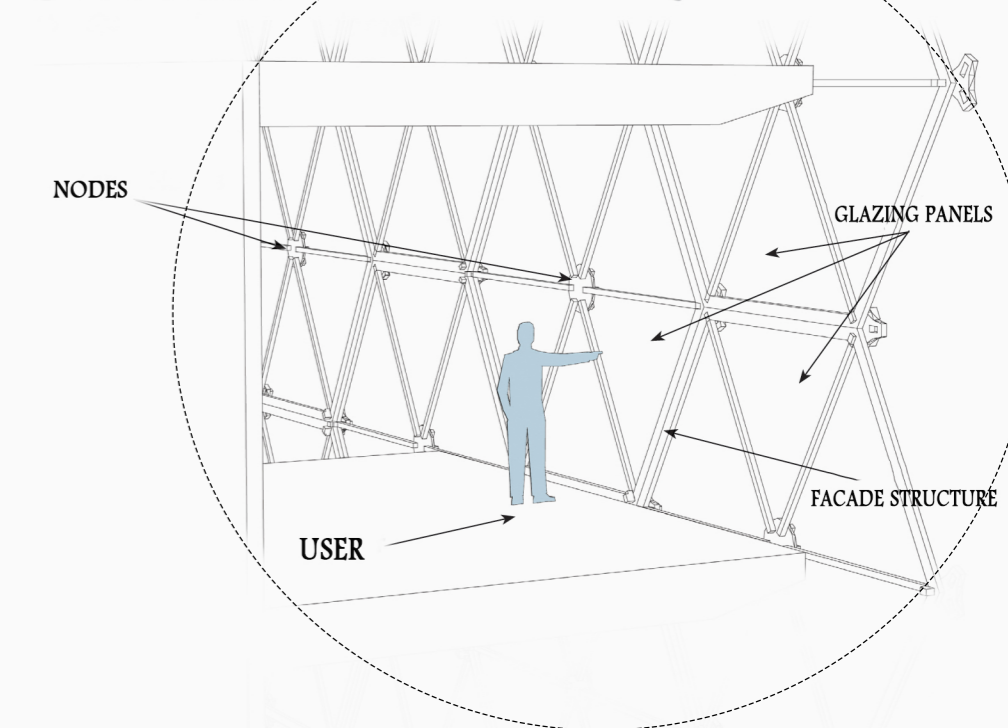


3D VIEW OF TYPE 1

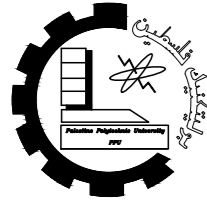
FLUSH GLAZING



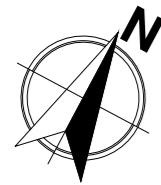
- ① INSULATED GLASS PANEL
- ② ALUMINUM MULLION



CURTAIN WALL TYPE 2



Palestine Polytechnic University
College of Engineering
Civil & Architecture Department
Architectural Engineering



Supervisor :

Dr. Bader Atawneh

Designed by :

Aseel AlJaberi

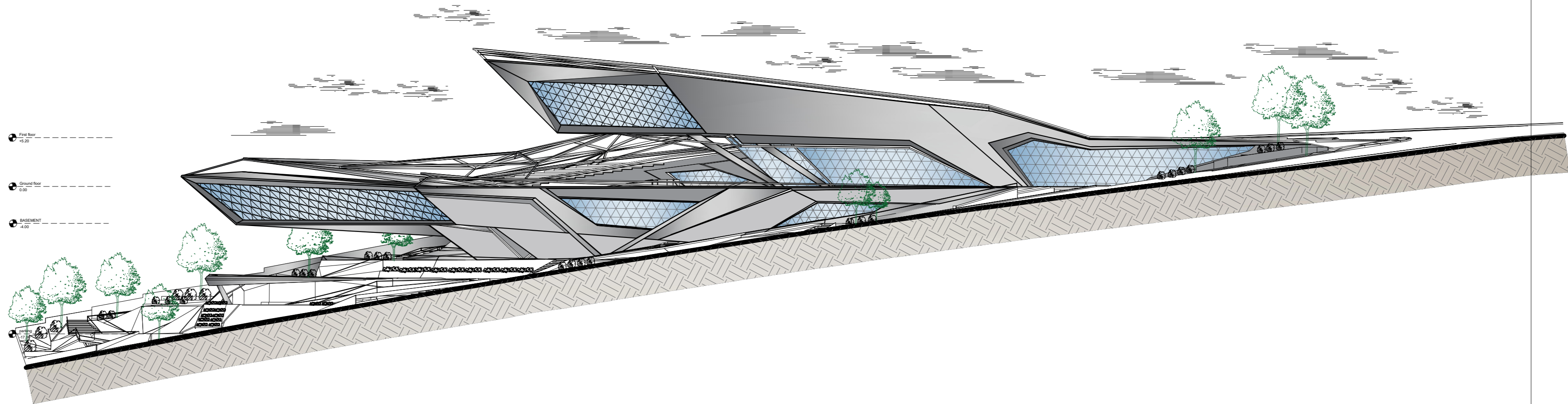
Drawing Title:

ELEVATIONS

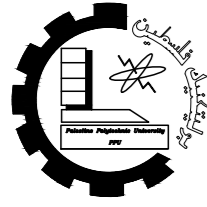
Scale :

Sheet NO : A6

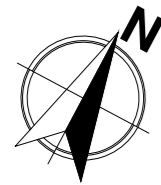
Date : 10/01/2021



NORTHERN EAST ELEVATION



Palestine Polytechnic University
College of Engineering
Civil & Architecture Department
Architectural Engineering



Supervisor :

Dr. Bader Atawneh

Designed by :

Aseel AlJaberi

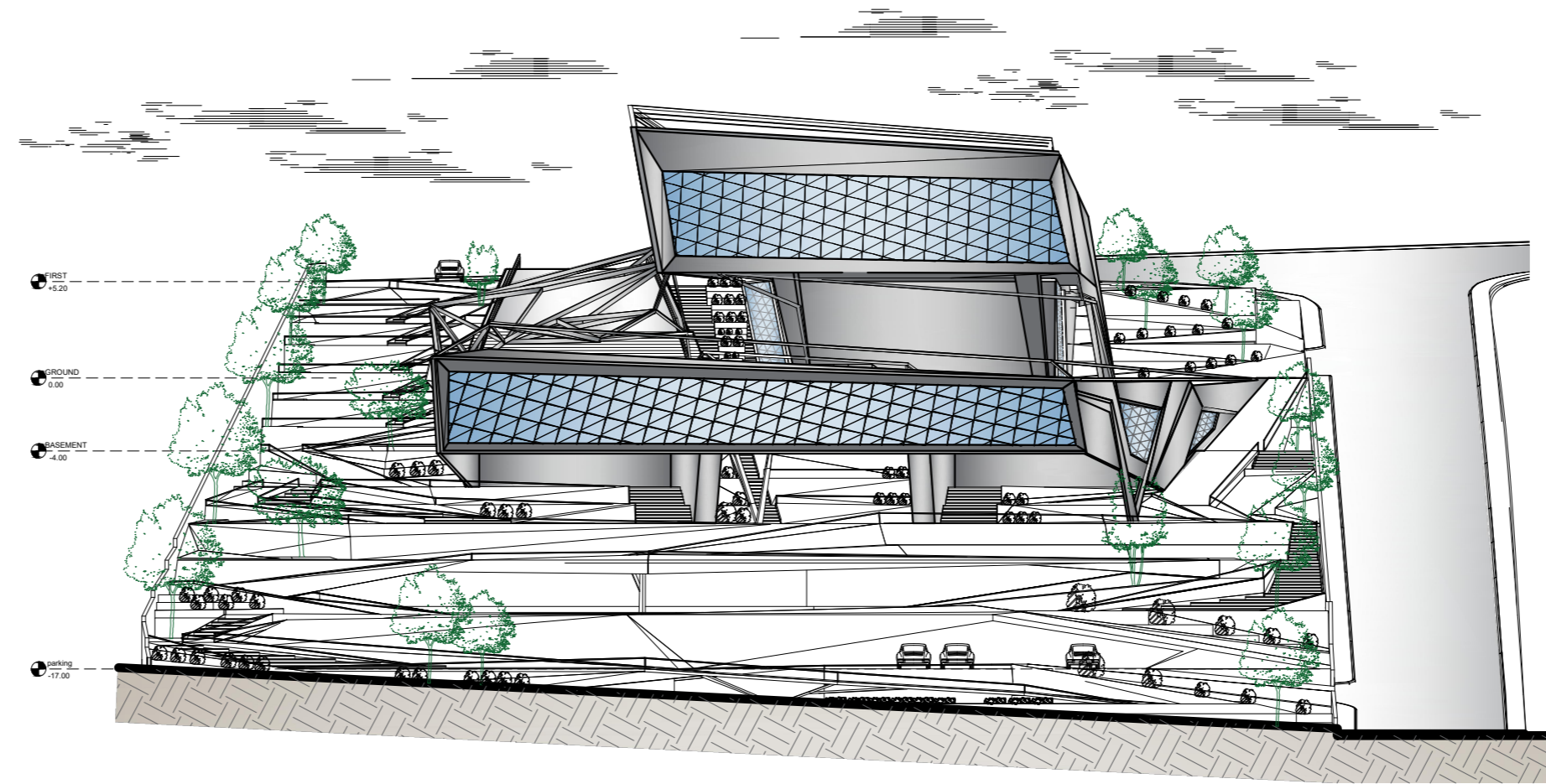
Drawing Title:

ELEVATIONS

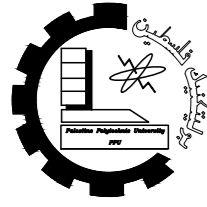
Scale :

Sheet NO : A7

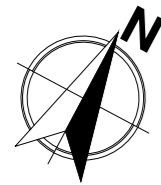
Date : 10/01/2021



SOUTHERN EAST ELEVATION



Palestine Polytechnic University
College of Engineering
Civil & Architecture Department
Architectural Engineering



Supervisor :

Dr. Bader Atawneh

Designed by :

Aseel AlJaberi

Drawing Title:

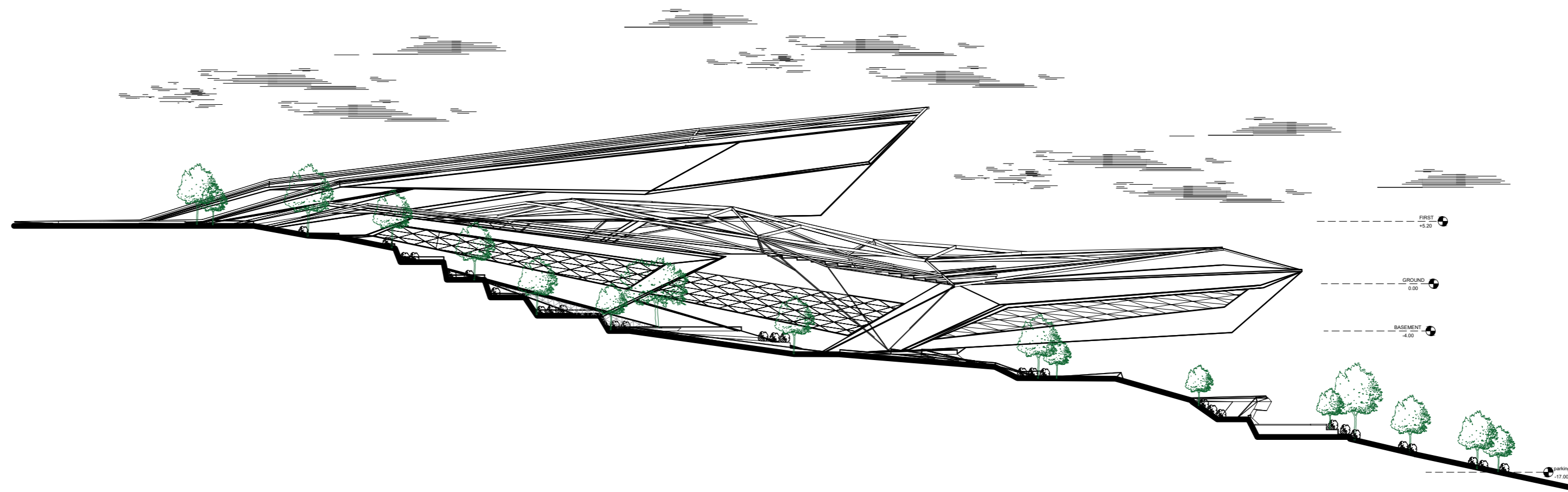
ELEVATIONS

Scale :

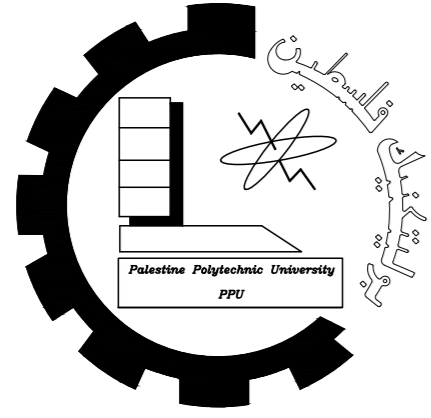
Sheet NO :

A8

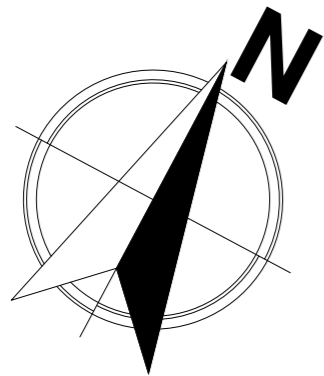
Date : 10/01/2021



SOUTHERN WEST ELEVATION



Palestine Polytechnic University
College of Engineering
Civil & Architecture Department
Architectural Engineering



Supervisor :

Dr. Bader Atawneh

Designed by :

Aseel Aljaberi

Drawing Title:

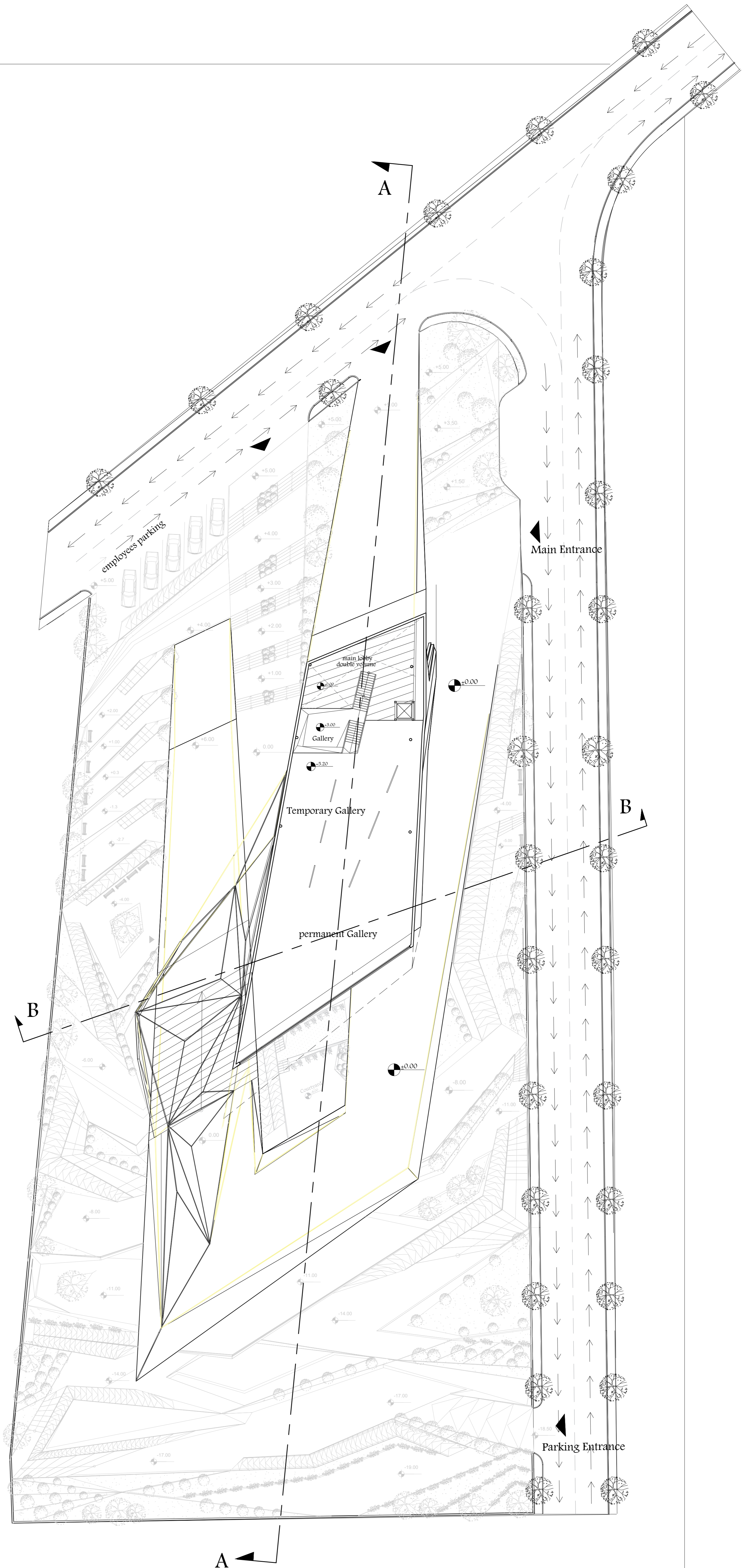
FIRST FLOOR PLAN

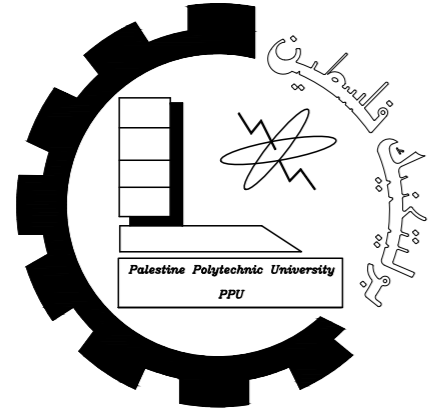
Scale :

Sheet NO :

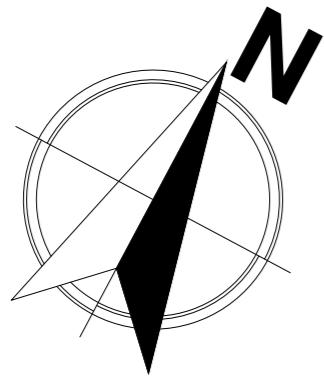
A3

Date : 10/01/2021





Palestine Polytechnic University
College of Engineering
Civil & Architecture Department
Architectural Engineering



Supervisor :

Dr. Bader Atawneh

Designed by :

Aseel Aljaberi

Drawing Title:

MASTER PLAN

Scale :

Sheet NO :

A2

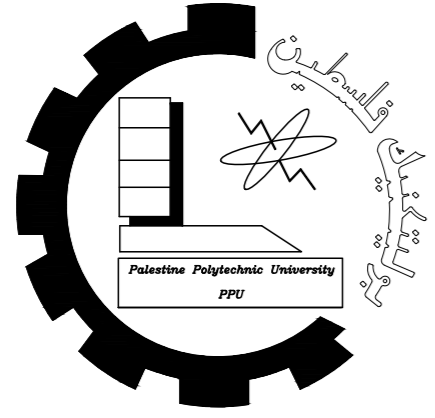
Date : 10/01/2021



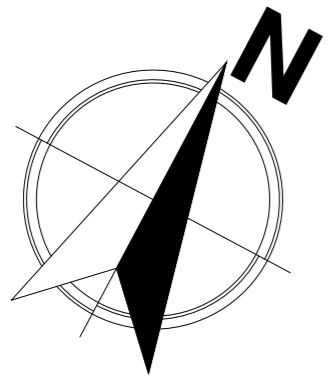
PRODUCED BY AN AUTODESK STUDENT VERSION

PRODUCED BY AN AUTODESK STUDENT VERSION

PRODUCED BY AN AUTODESK STUDENT VERSION



Palestine Polytechnic University
College of Engineering
Civil & Architecture Department
Architectural Engineering



Supervisor :

Dr. Bader Atawneh

Designed by :

Aseel Aljaberi

Drawing Title:

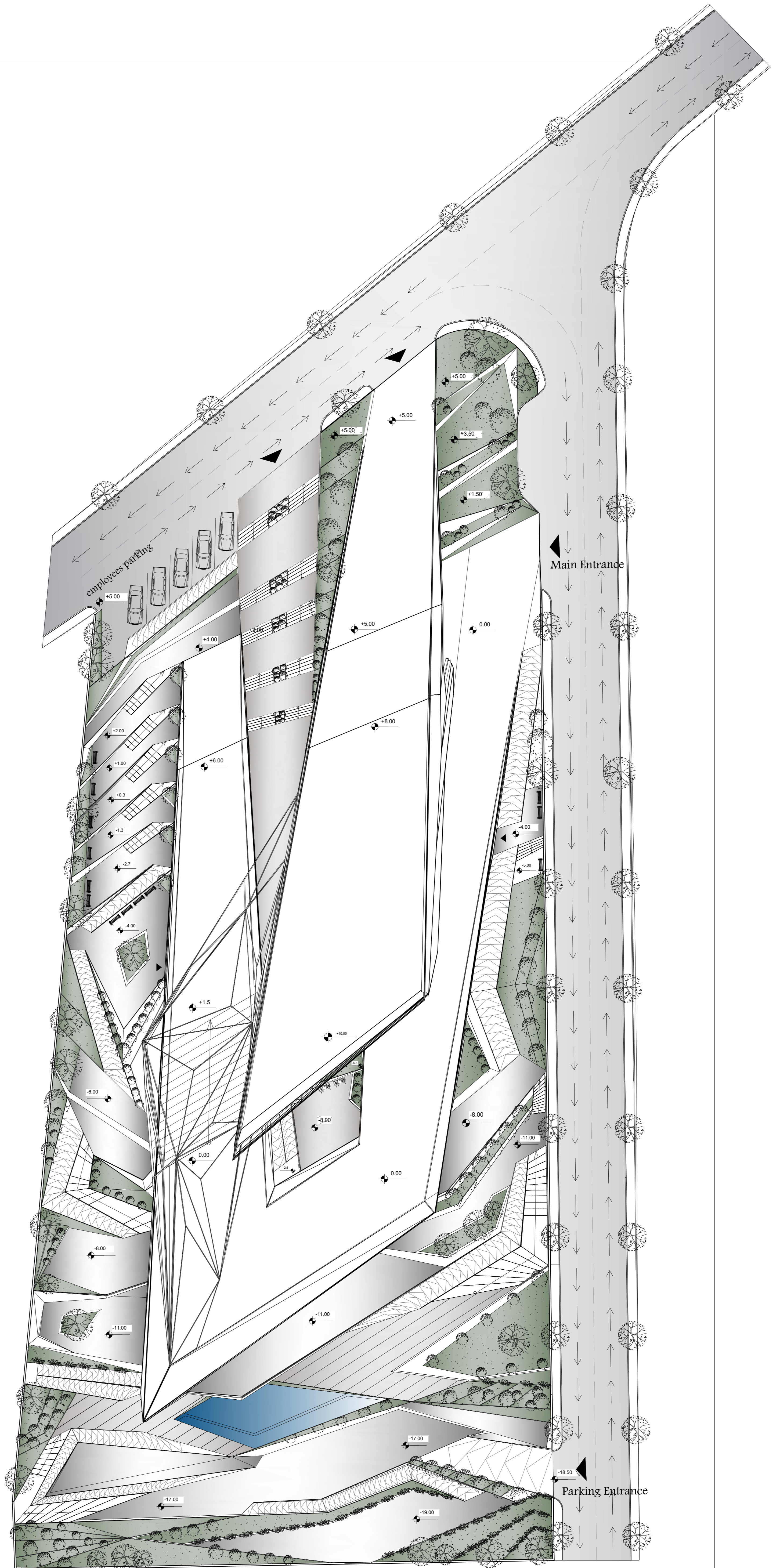
SITE PLAN

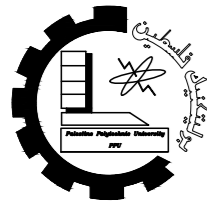
Scale :

Sheet NO :

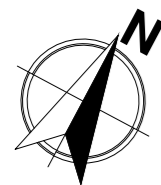
A1

Date : 10/01/2021





Palestine Polytechnic University
College of Engineering
Civil & Architecture Department
Architectural Engineering



Supervisor :

Dr. Bader Atawneh

Designed by :

Aseel AlJaberi

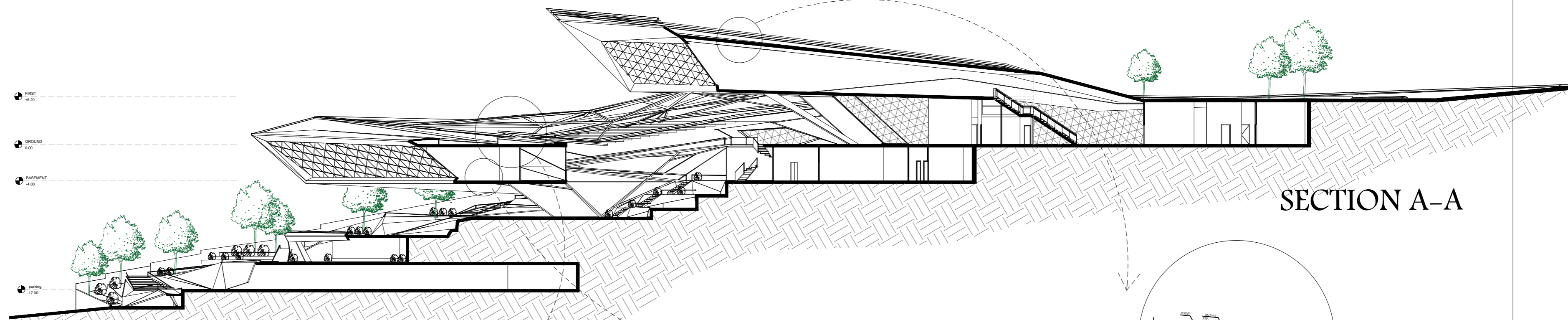
Drawing Title:

STRUCTURAL DETAILS

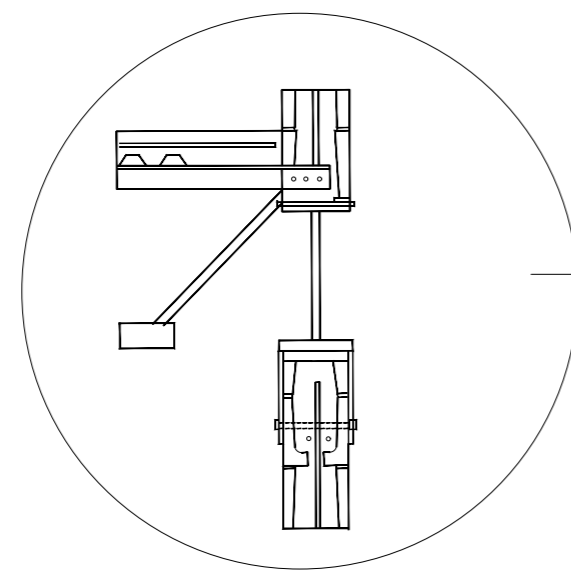
Scale :

Sheet NO : A10

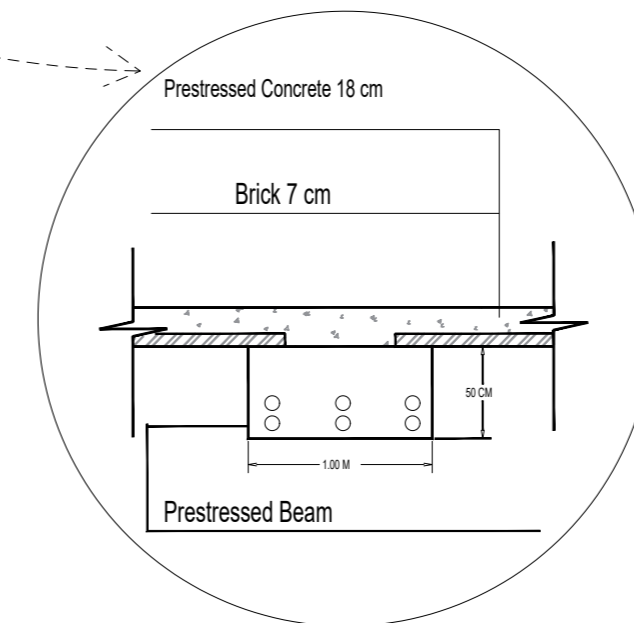
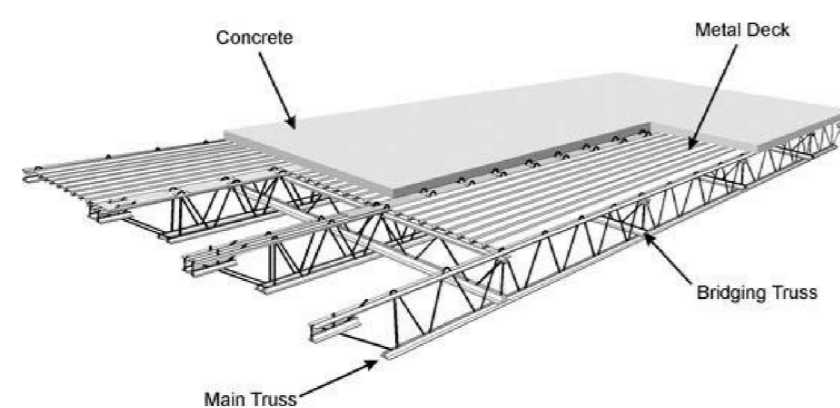
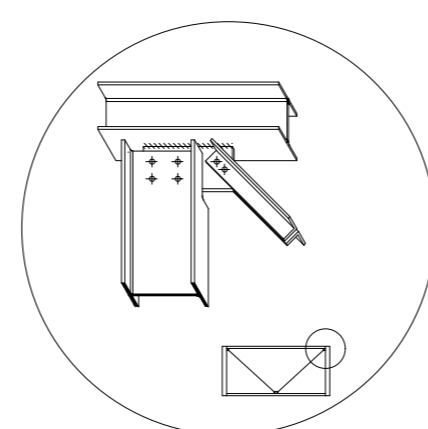
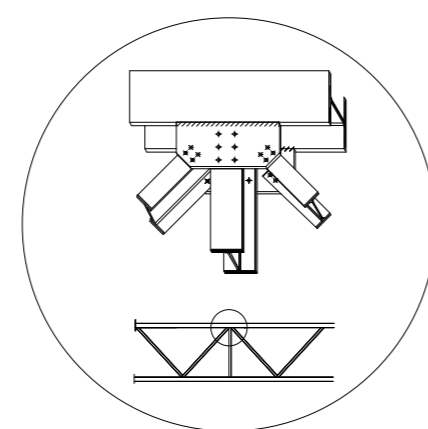
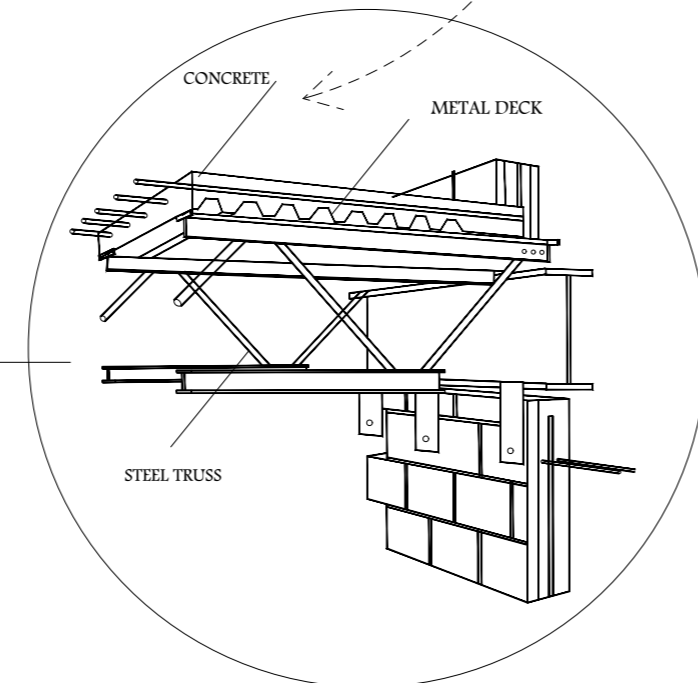
Date : 10/01/2021



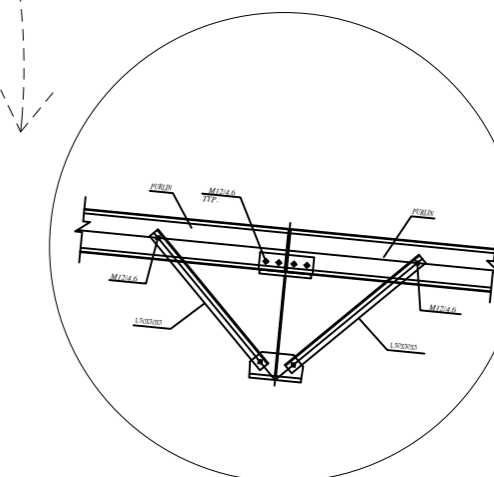
SECTION A-A



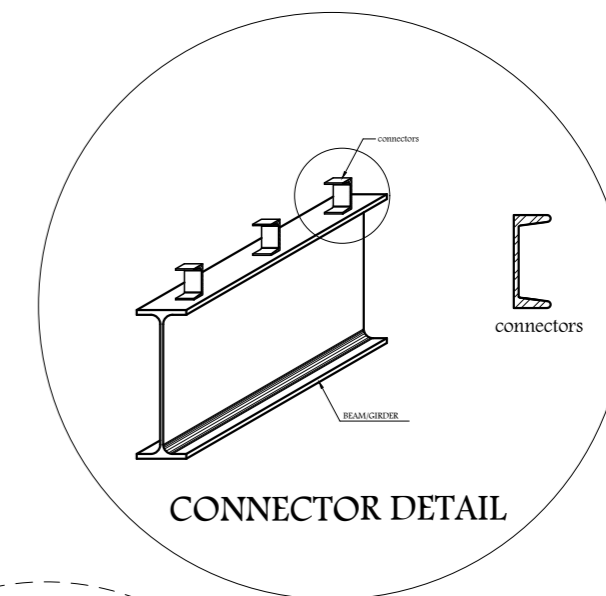
STEEL TRUSS DETAILS



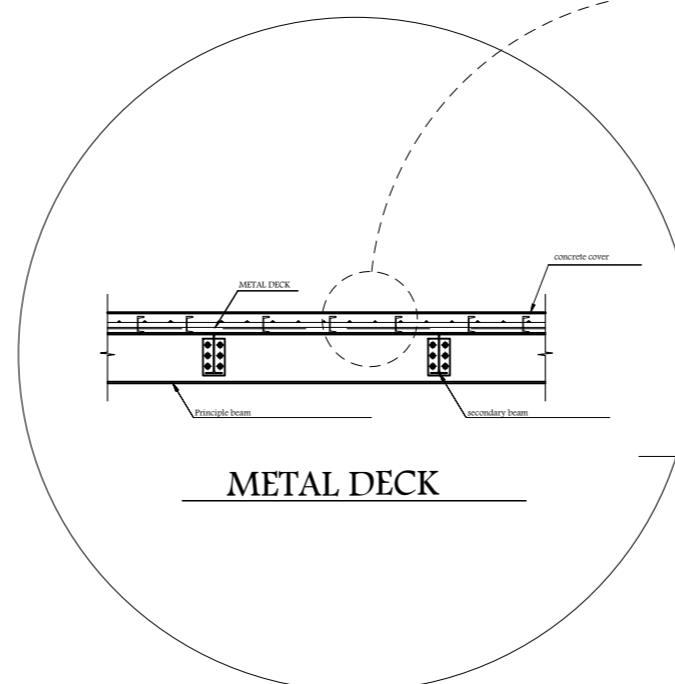
Prestressed Concrete slab detail



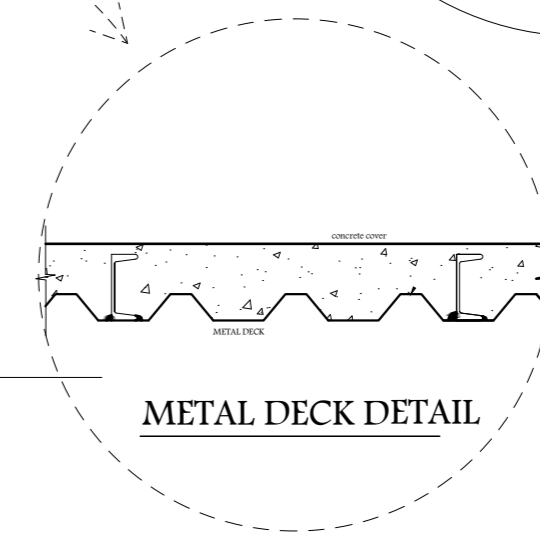
DETAIL OF TRUSS KNEE BRACING WITH PURLINS



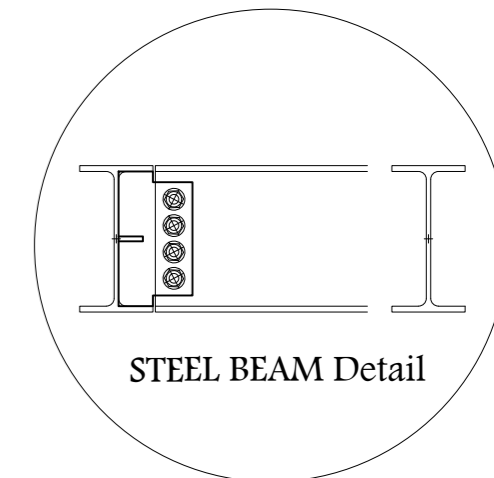
CONNECTOR DETAIL



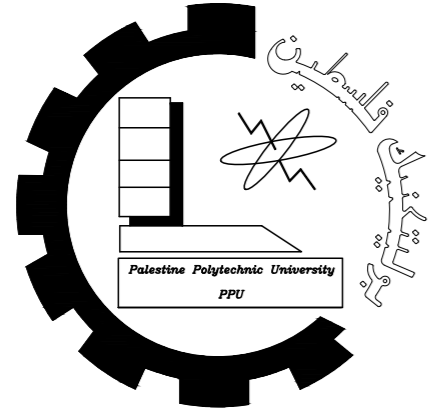
METAL DECK



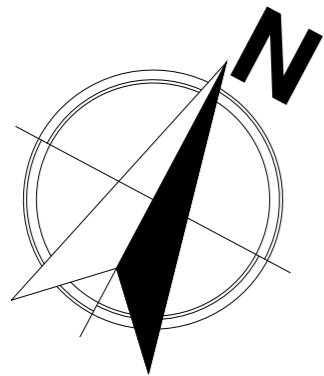
METAL DECK DETAIL



STEEL BEAM Detail



Palestine Polytechnic University
College of Engineering
Civil & Architecture Department
Architectural Engineering



Supervisor :

Dr. Bader Atawneh

Designed by :

Aseel Aljaberi

Drawing Title:

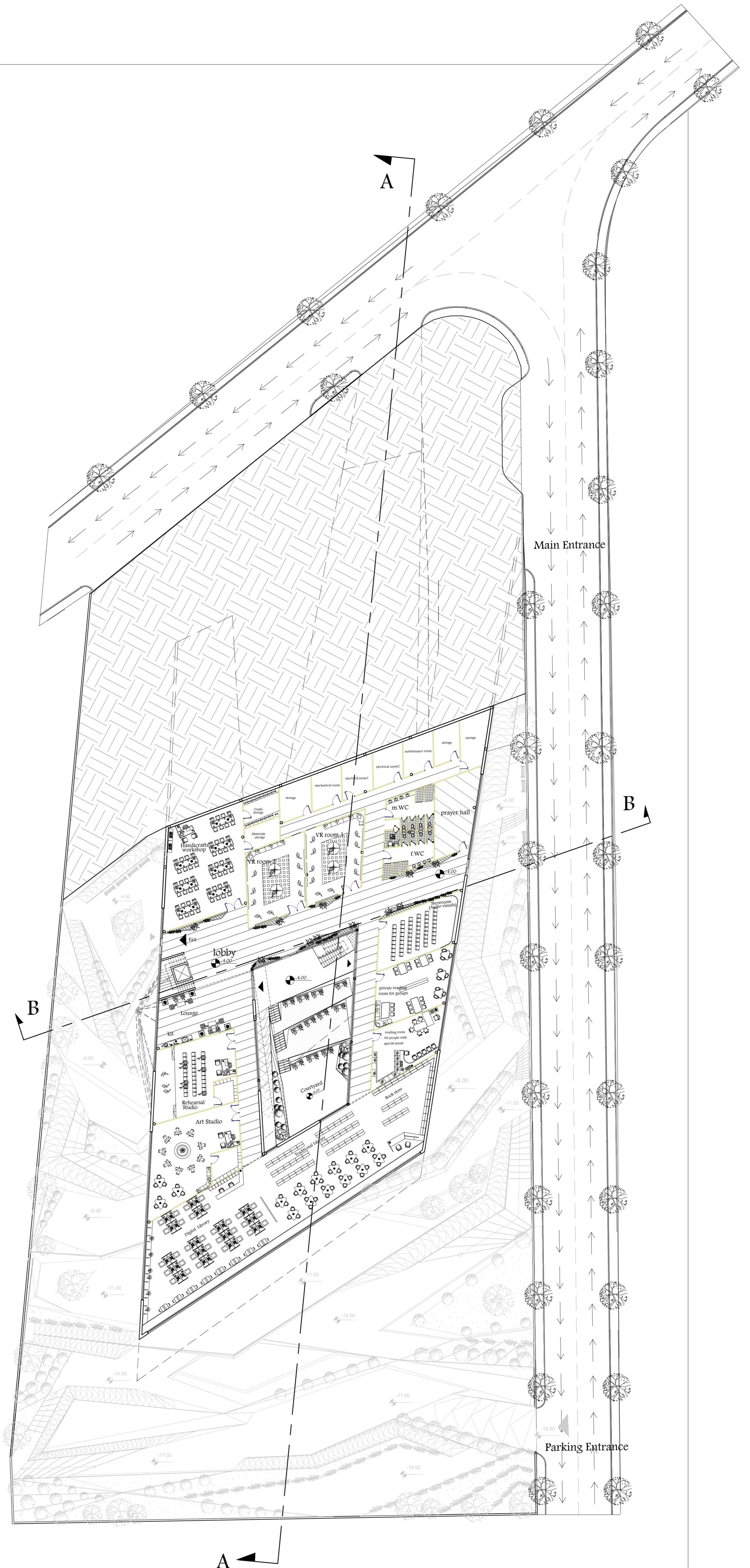
BASEMENT PLAN

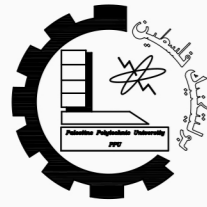
Scale :

Sheet NO :

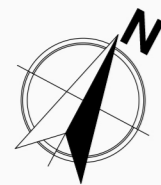
A4

Date : 10/01/2021





Palestine Polytechnic University
 College of Engineering
 Civil & Architecture Department
 Architectural Engineering



Supervisor :

Dr. Bader Atawneh

Designed by :

Aseel AlJaberi

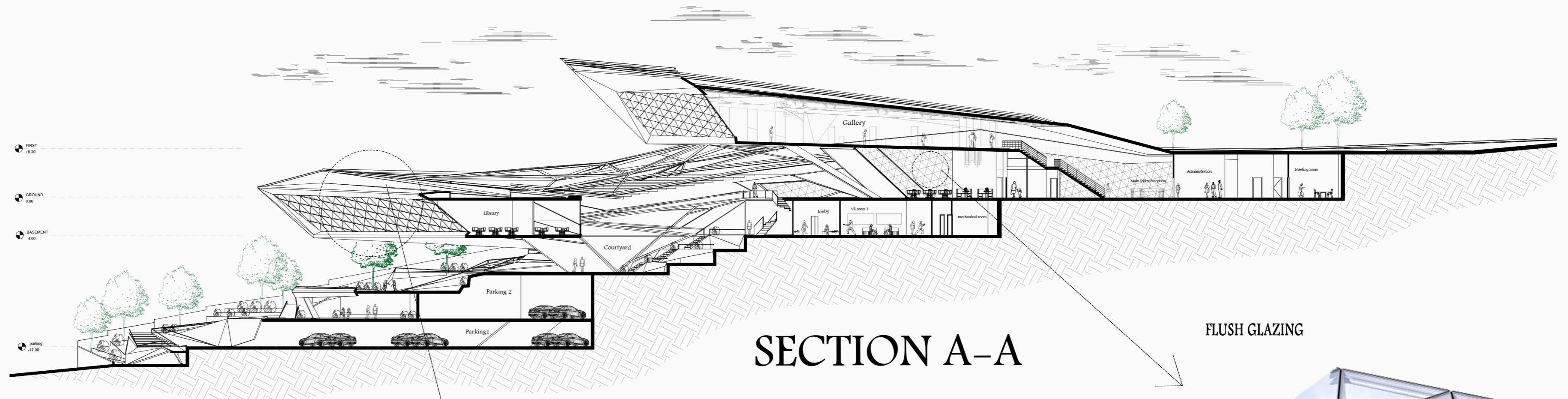
Drawing Title:

CURTAIN WALL DETAILS

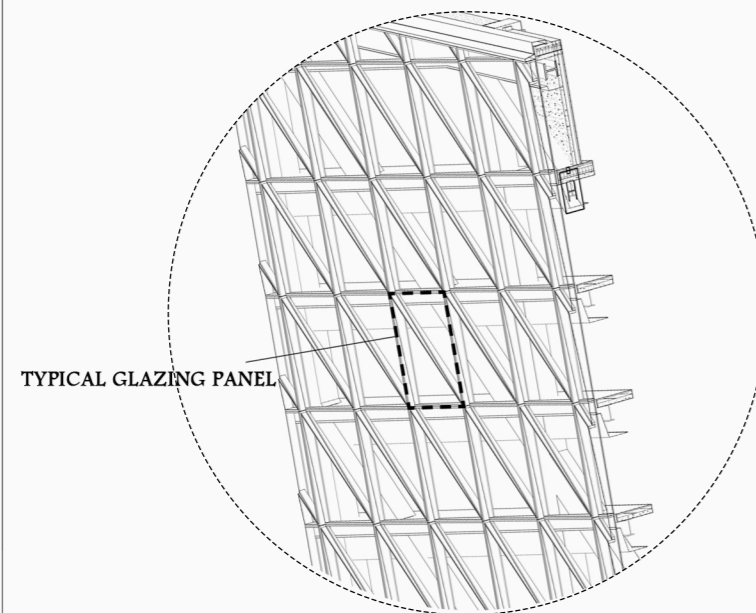
Scale :

Sheet NO : A11

Date : 19/01/2021



SECTION A-A



TYPICAL GLAZING PANEL

CURTAIN WALL TYPE 1

CLOSED CAVITY FACADE SYSTEM, TYPICAL GLAZING PANEL

Roller blind cover:
Natural anodised aluminum extrusion

Spandrel panel:
Natural anodised aluminum sheet

Inner pane glass:
Low-iron triple glazed insulated unit with low emissivity coating for increased overall insulation value

Roller blind:
Fabric type "Shadow III R", with a grey internal colour to maximise the visibility to the outside.

The blind is highly reflective to the outside to increase reflectance and reduce heat absorption

Mullions & transoms:
Natural anodised aluminum extrusions

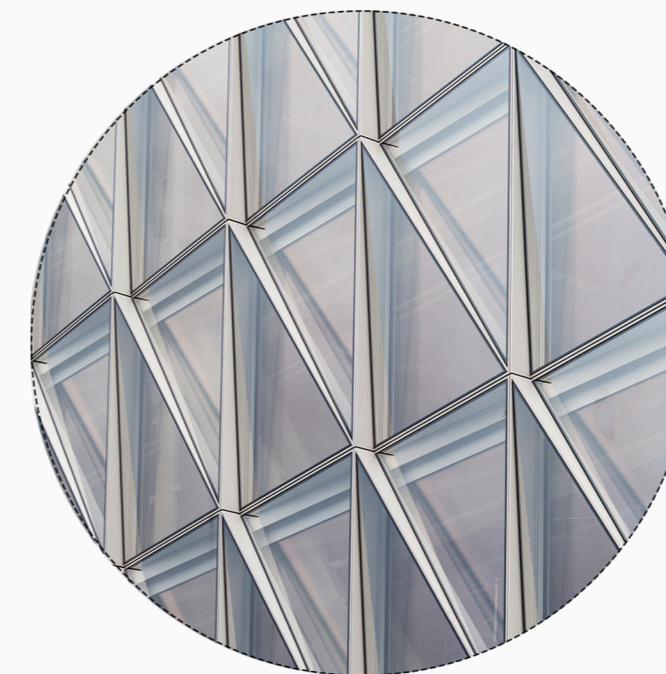
Outer paneiglass:
Low-iron monolithic glass (laminated at ground level)

The solar coating, ipasol bright, reduces solar energy entering the cavity and makes the facade reflect its surroundings

Closed Cavity Facade system

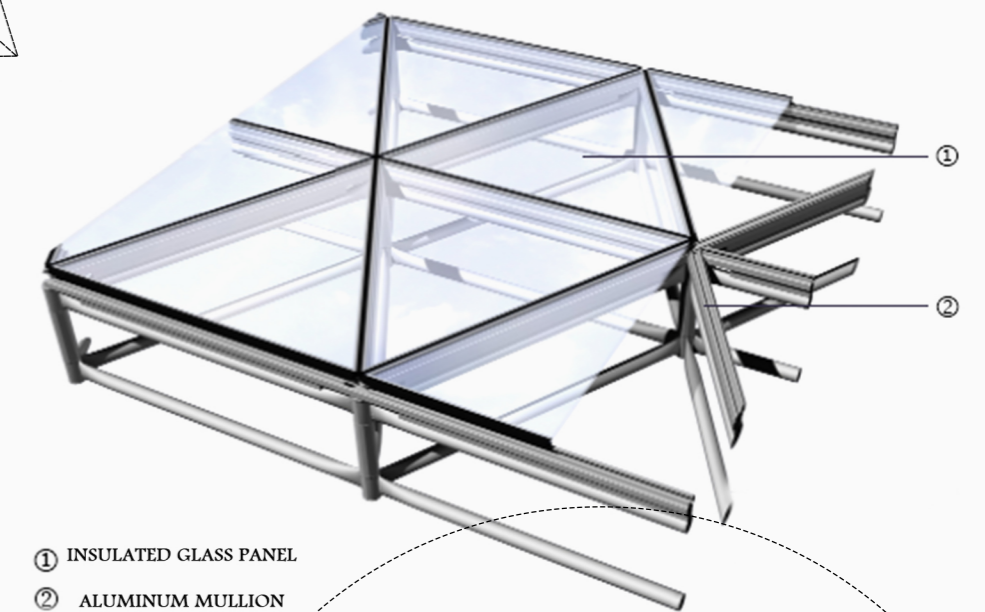
The cavity is sealed and the performance of inner and outer layers of glass and the blinds is balanced to ensure good conditions in summer and winter.

- High performance
- Less frequent cleaning
- Shading device is less prone to damage

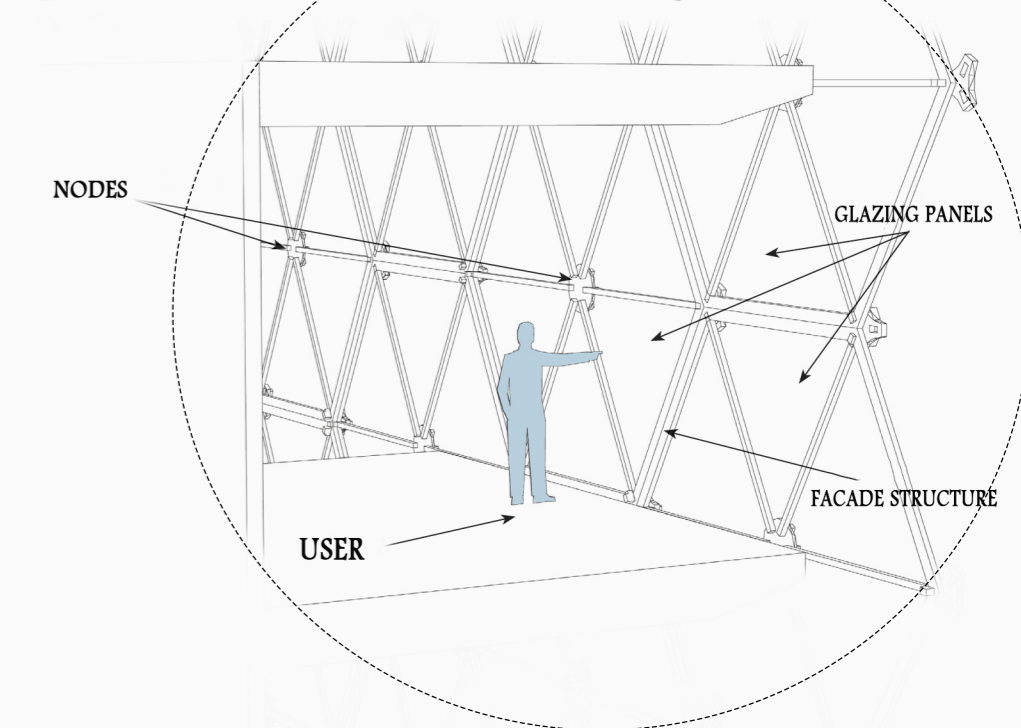


3D VIEW OF TYPE 1

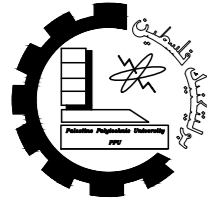
FLUSH GLAZING



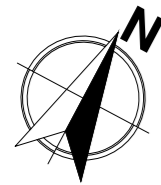
- ① INSULATED GLASS PANEL
- ② ALUMINUM MULLION



CURTAIN WALL TYPE 2



Palestine Polytechnic University
College of Engineering
Civil & Architecture Department
Architectural Engineering



Supervisor :

Dr. Bader Atawneh

Designed by :

Aseel AlJaberi

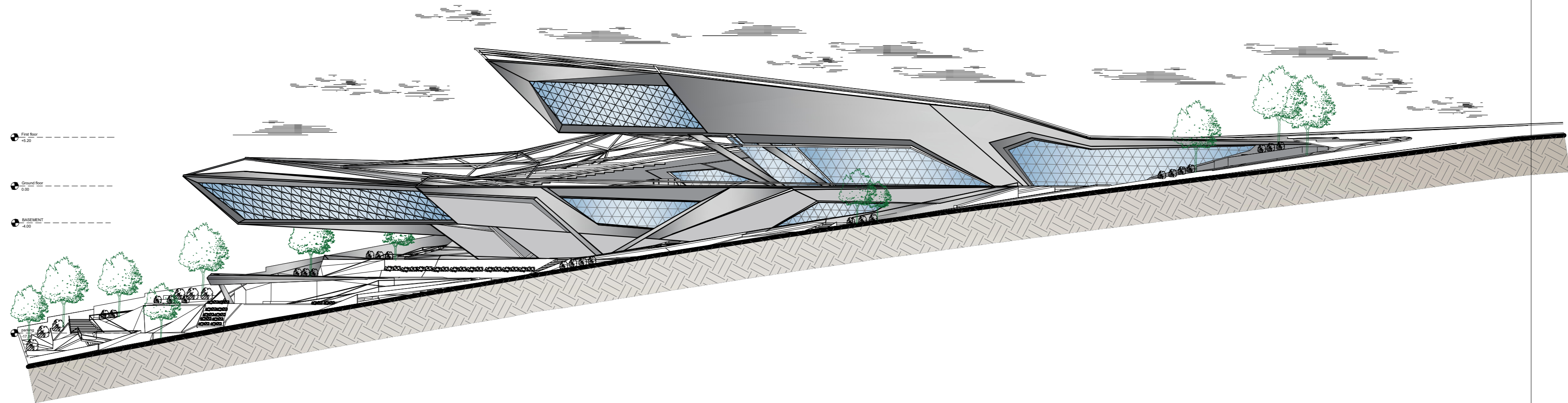
Drawing Title:

ELEVATIONS

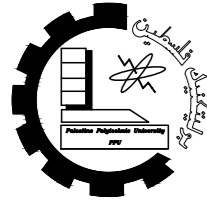
Scale :

Sheet NO : A6

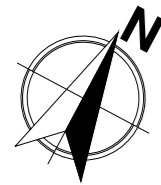
Date : 10/01/2021



NORTHERN EAST ELEVATION



Palestine Polytechnic University
College of Engineering
Civil & Architecture Department
Architectural Engineering



Supervisor :

Dr. Bader Atawneh

Designed by :

Aseel AlJaberi

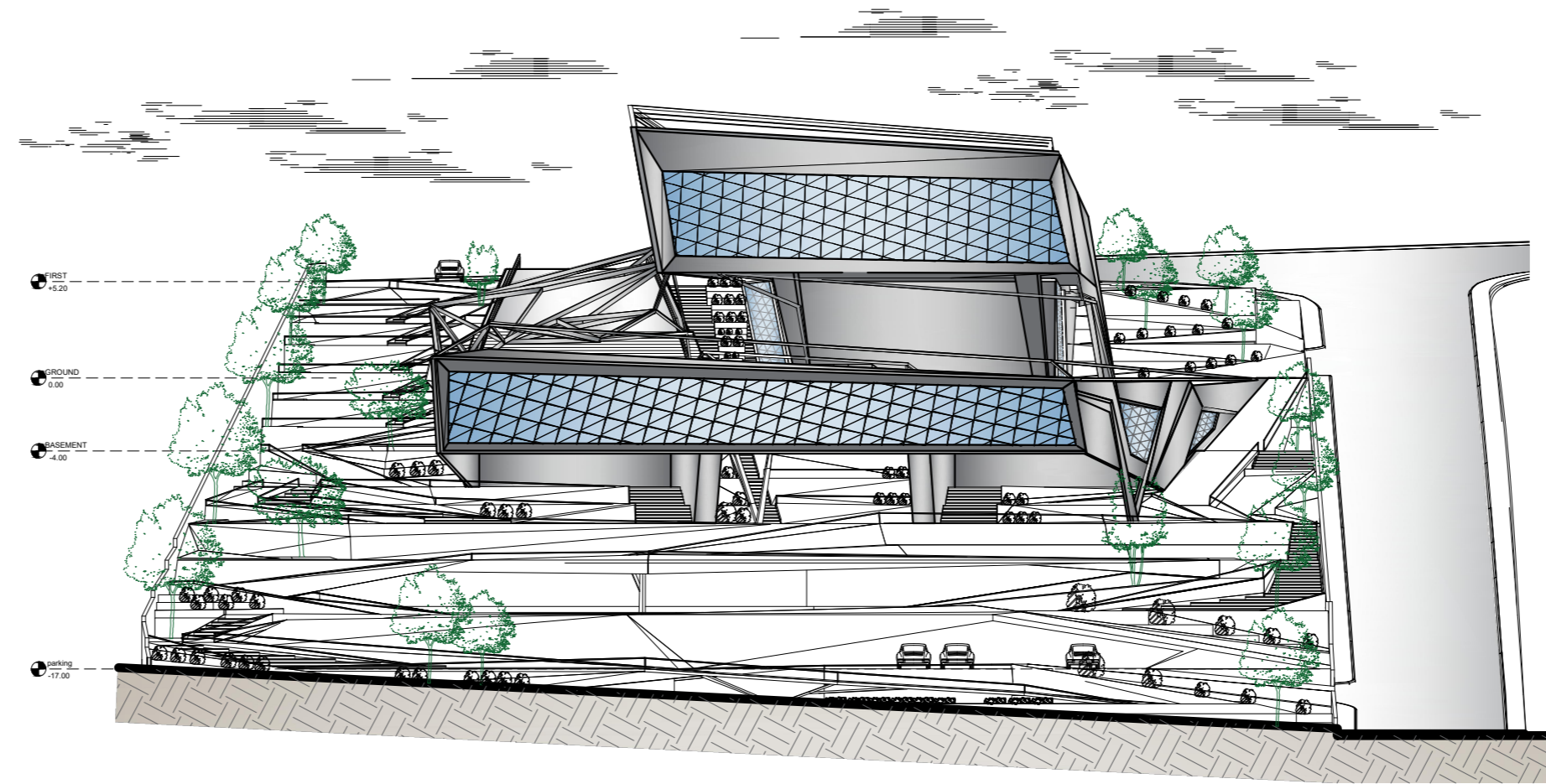
Drawing Title:

ELEVATIONS

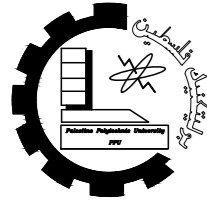
Scale :

Sheet NO : A7

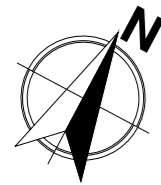
Date : 10/01/2021



SOUTHERN EAST ELEVATION



Palestine Polytechnic University
College of Engineering
Civil & Architecture Department
Architectural Engineering



Supervisor :

Dr. Bader Atawneh

Designed by :

Aseel AlJaberi

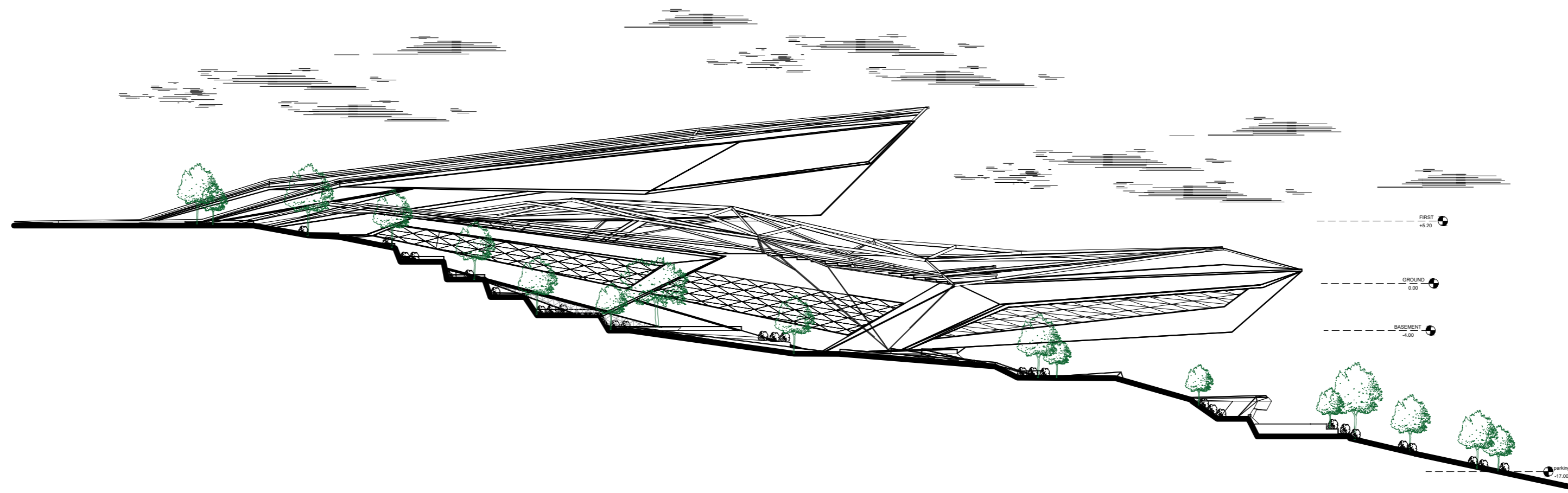
Drawing Title:

ELEVATIONS

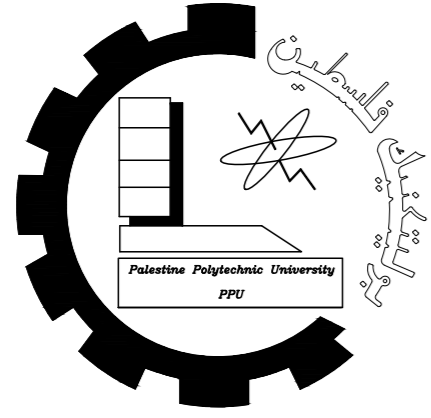
Scale :

Sheet NO : A8

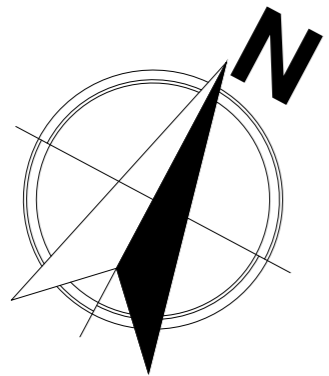
Date : 10/01/2021



SOUTHERN WEST ELEVATION



Palestine Polytechnic University
College of Engineering
Civil & Architecture Department
Architectural Engineering



Supervisor :

Dr. Bader Atawneh

Designed by :

Aseel Aljaberi

Drawing Title:

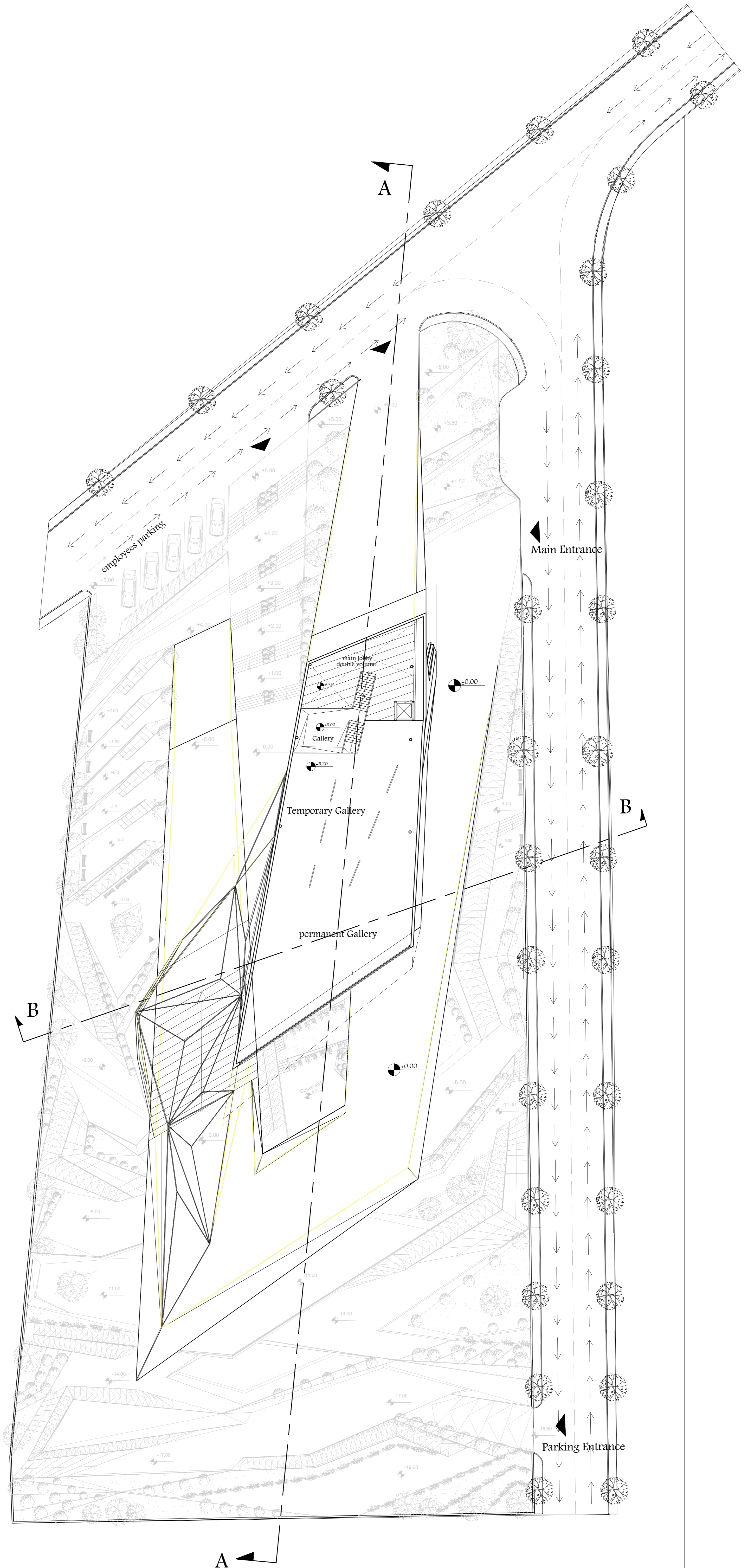
FIRST FLOOR PLAN

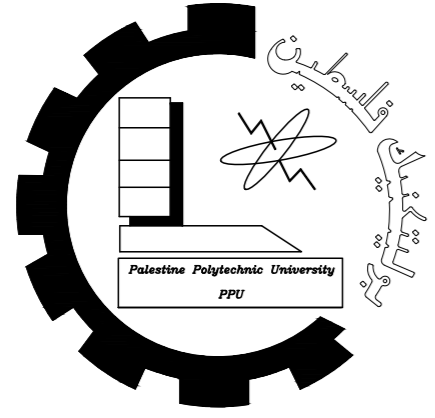
Scale :

Sheet NO :

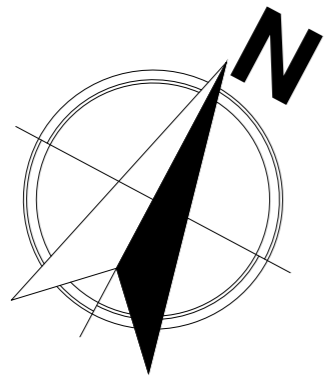
A3

Date : 10/01/2021





Palestine Polytechnic University
College of Engineering
Civil & Architecture Department
Architectural Engineering



Supervisor :

Dr. Bader Atawneh

Designed by :

Aseel Aljaberi

Drawing Title:

MASTER PLAN

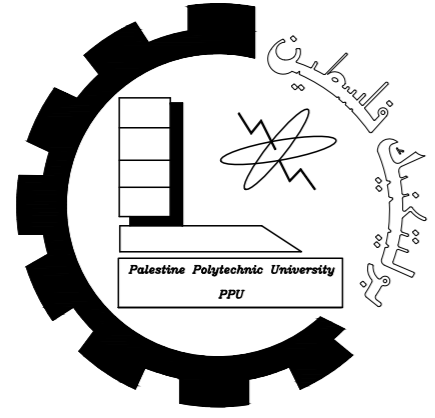
Scale :

Sheet NO :

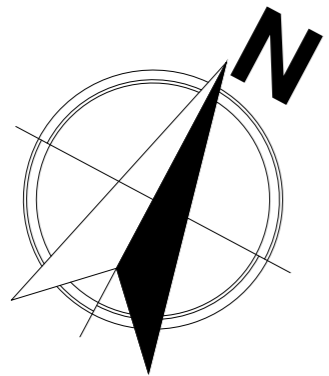
A2

Date : 10/01/2021





Palestine Polytechnic University
College of Engineering
Civil & Architecture Department
Architectural Engineering



Supervisor :

Dr. Bader Atawneh

Designed by :

Aseel Aljaberi

Drawing Title:

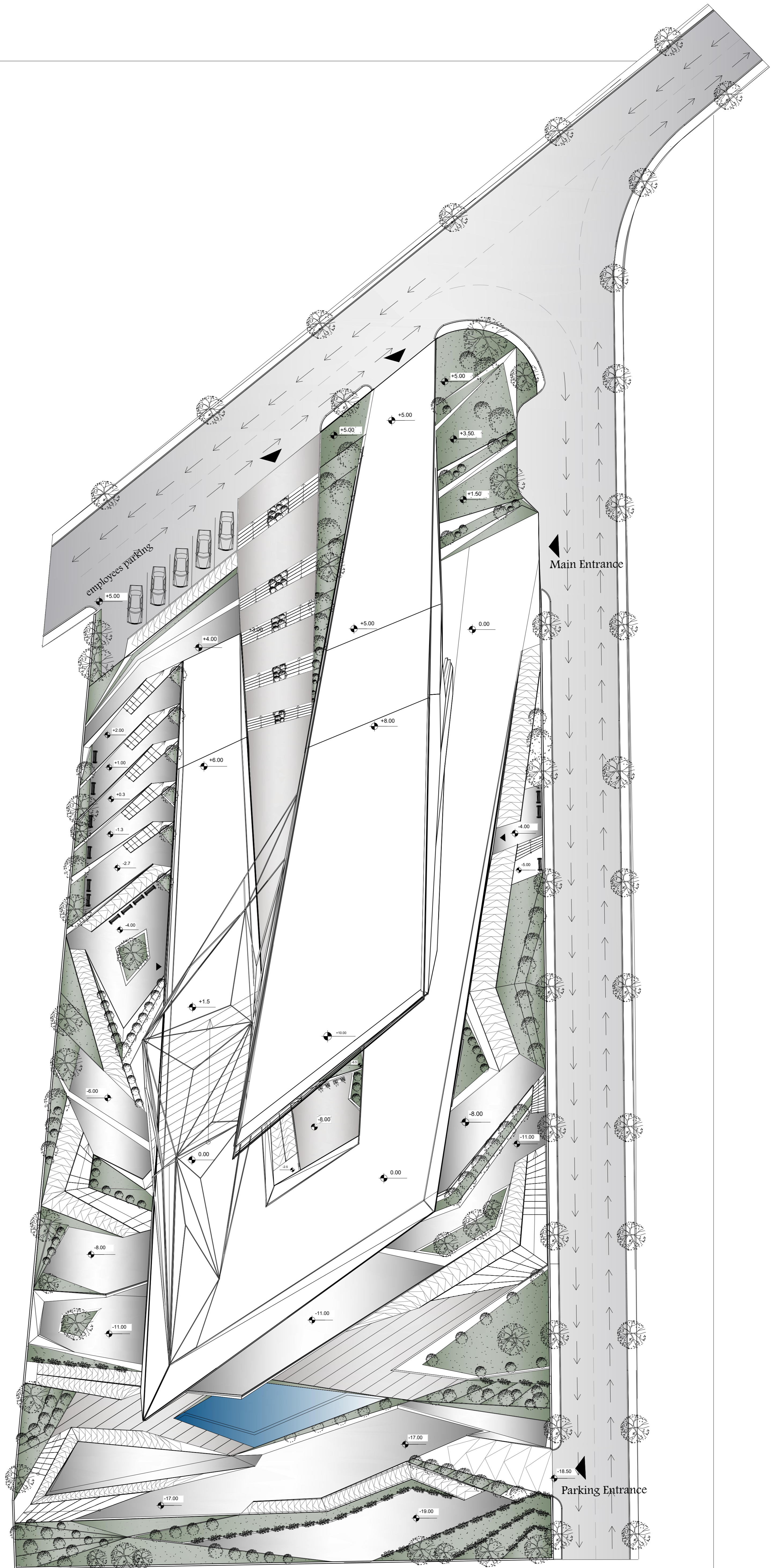
SITE PLAN

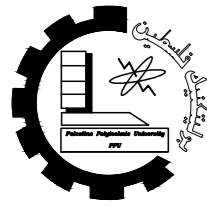
Scale :

Sheet NO :

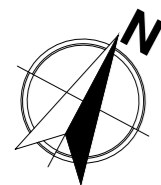
A1

Date : 10/01/2021





Palestine Polytechnic University
College of Engineering
Civil & Architecture Department
Architectural Engineering



Supervisor :

Dr. Bader Atawneh

Designed by :

Aseel AlJaberi

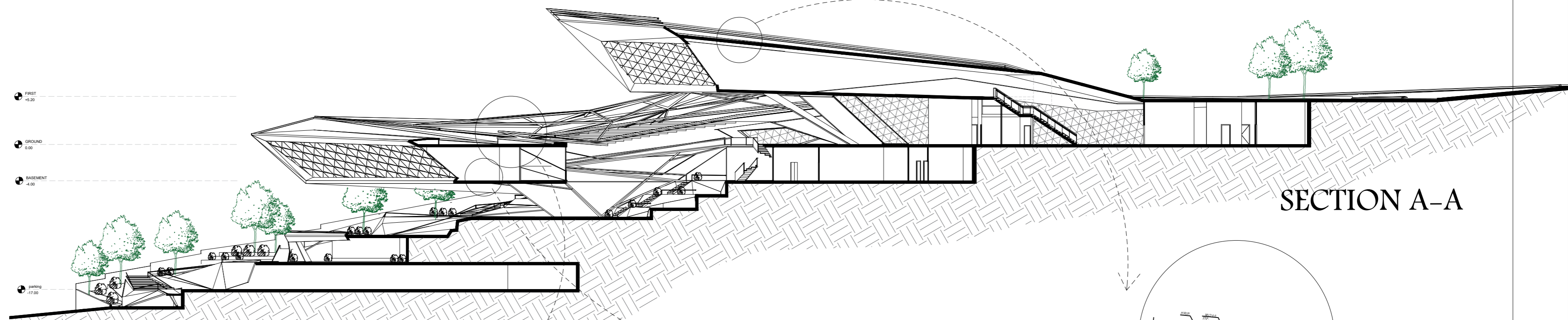
Drawing Title:

STRUCTURAL DETAILS

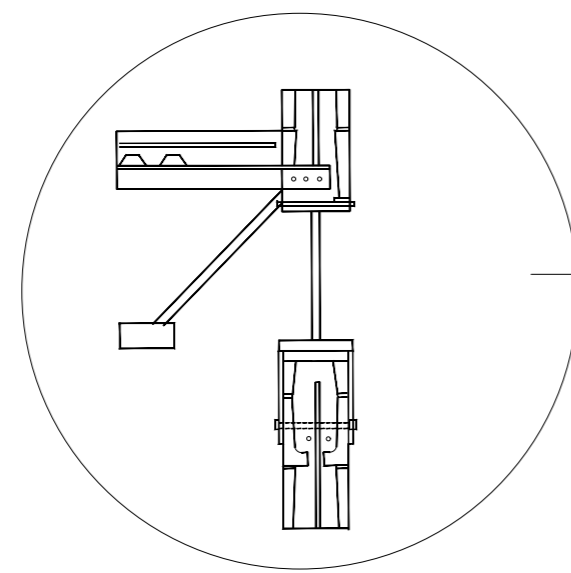
Scale :

Sheet NO : A10

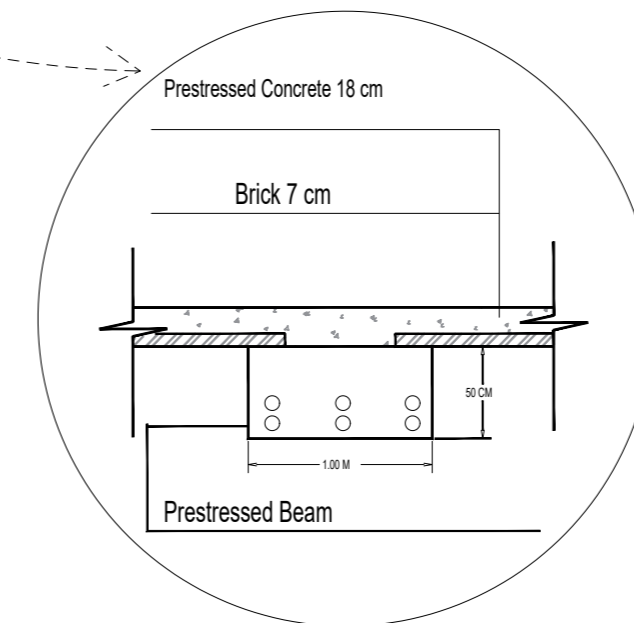
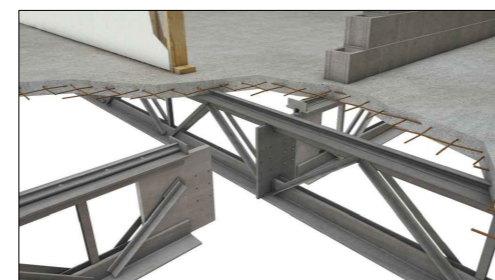
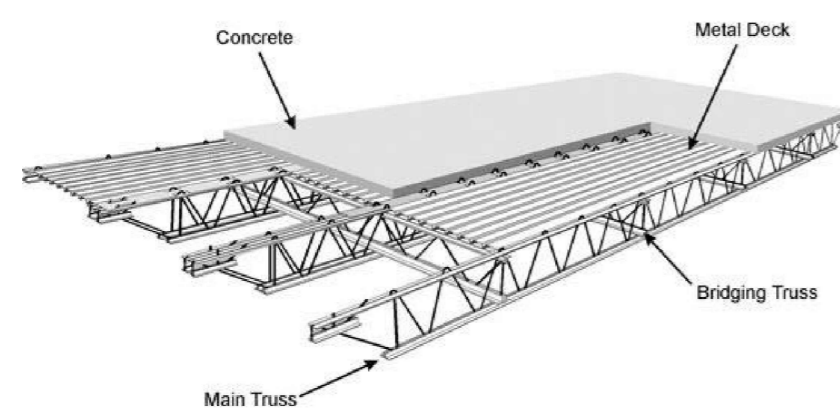
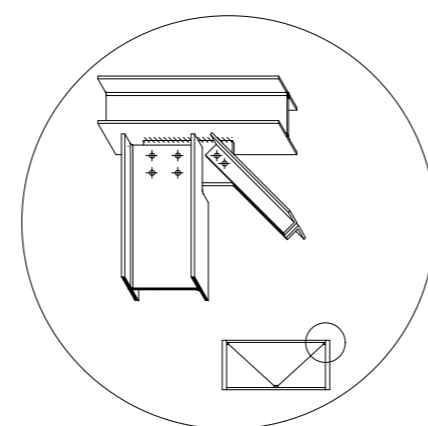
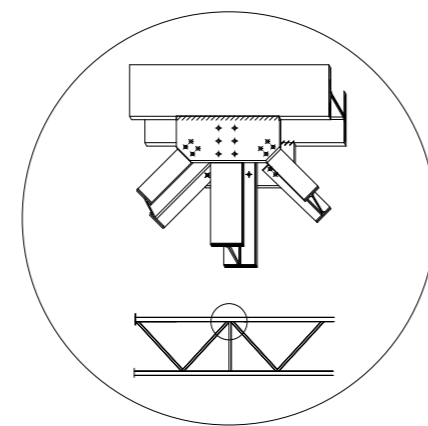
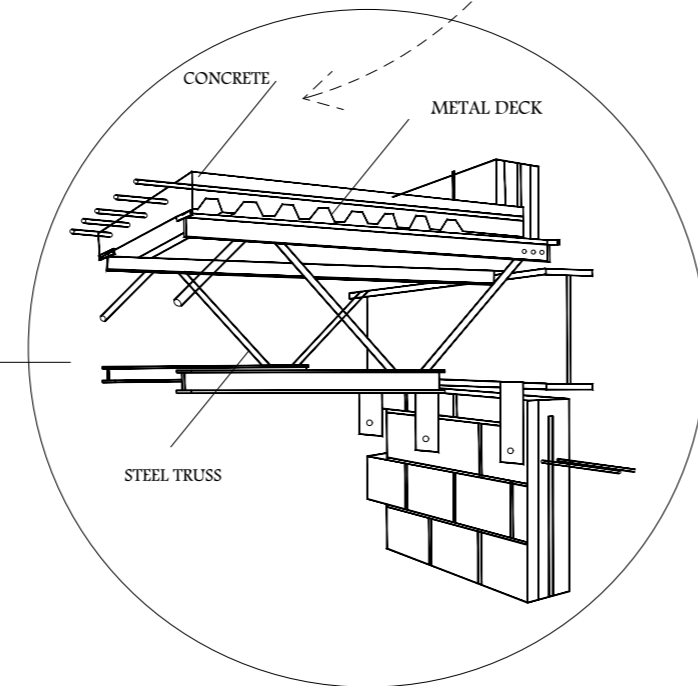
Date : 10/01/2021



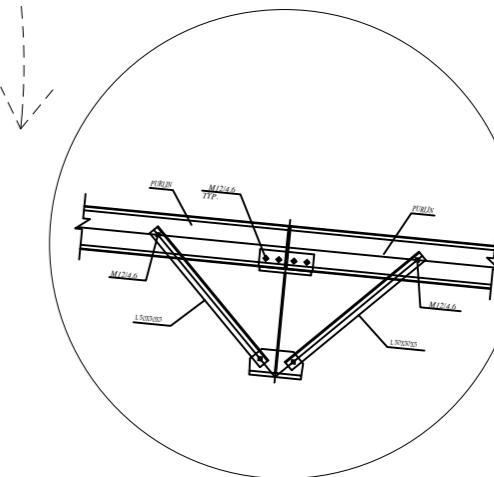
SECTION A-A



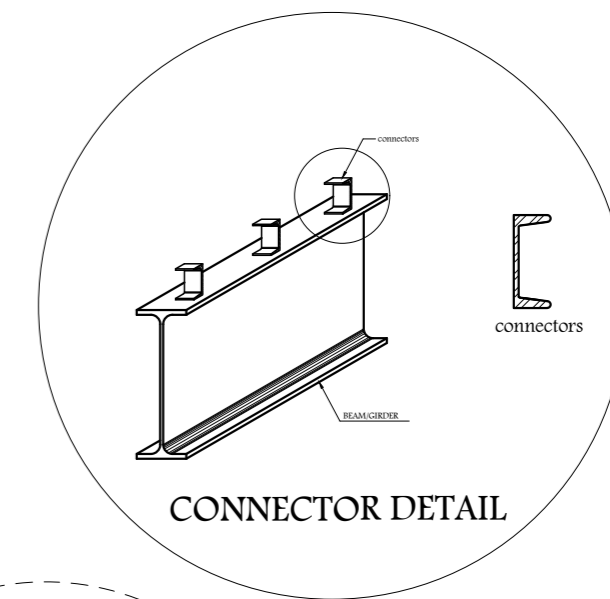
STEEL TRUSS DETAILS



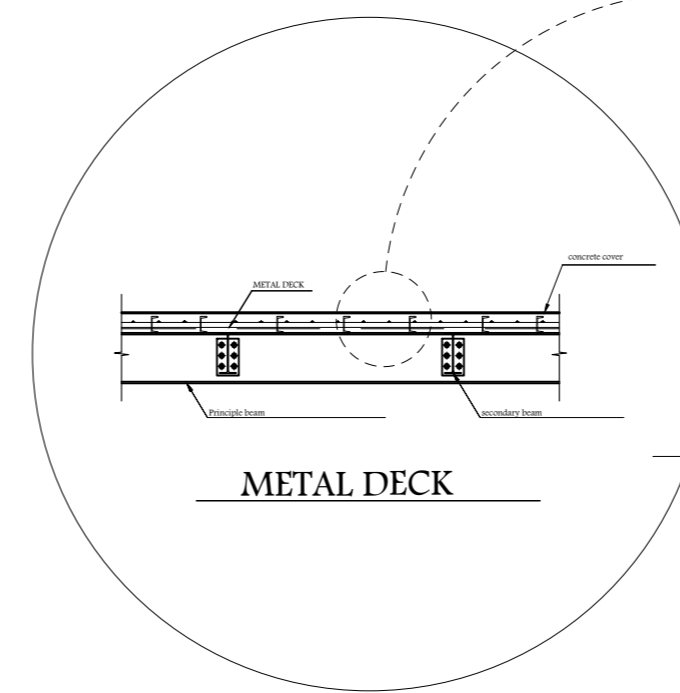
Prestressed Concrete slab detail



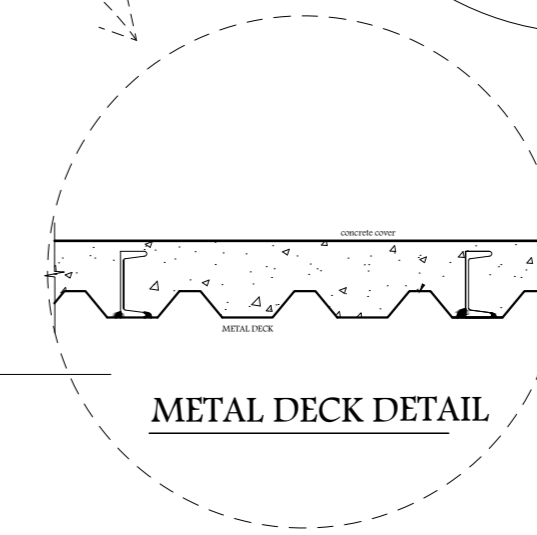
DETAIL OF TRUSS KNEE BRACING WITH PURLINS



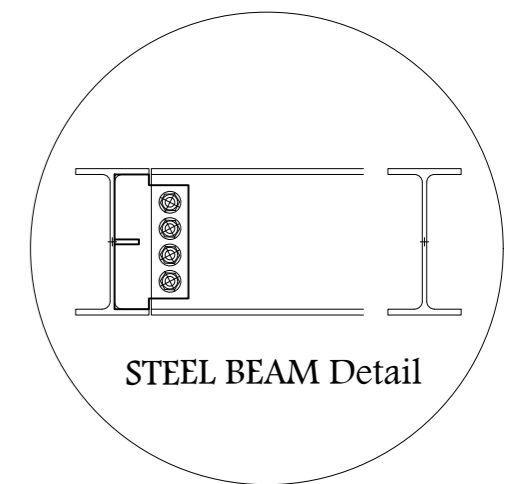
CONNECTOR DETAIL



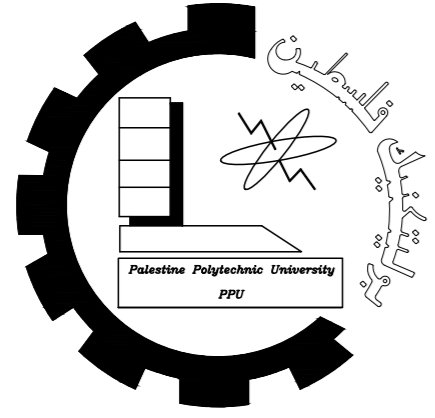
METAL DECK



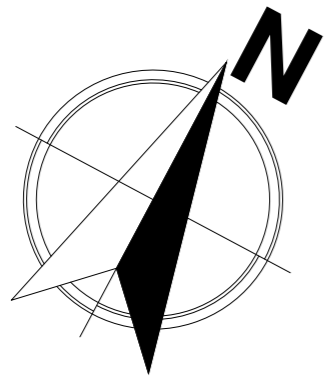
METAL DECK DETAIL



STEEL BEAM Detail



Palestine Polytechnic University
College of Engineering
Civil & Architecture Department
Architectural Engineering



Supervisor :

Dr. Bader Atawneh

Designed by :

Aseel Aljaberi

Drawing Title:

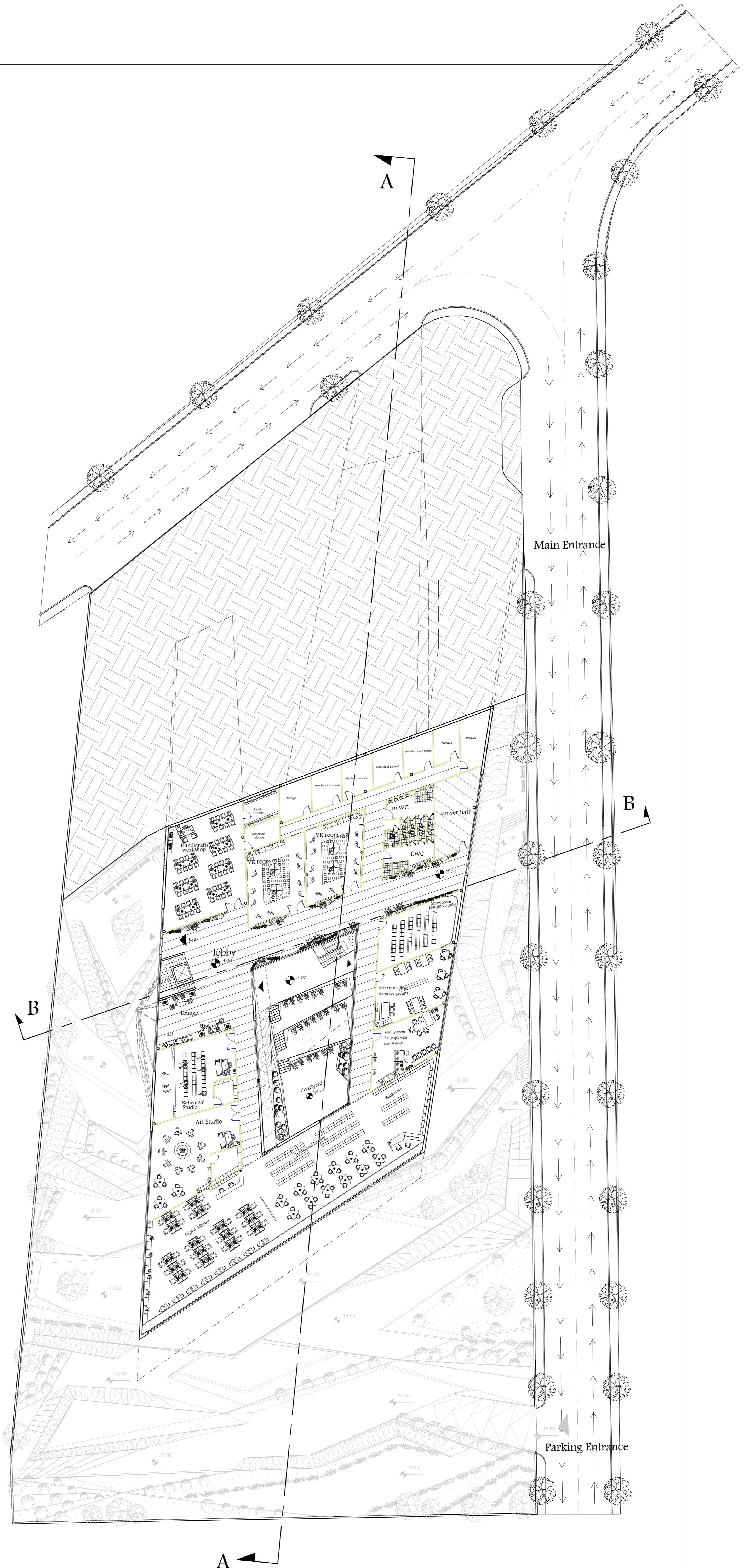
BASEMENT PLAN

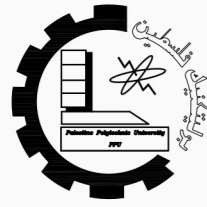
Scale :

Sheet NO :

A4

Date : 10/01/2021





Palestine Polytechnic University
 College of Engineering
 Civil & Architecture Department
 Architectural Engineering



Supervisor :

Dr. Bader Atawneh

Designed by :

Aseel AlJaberi

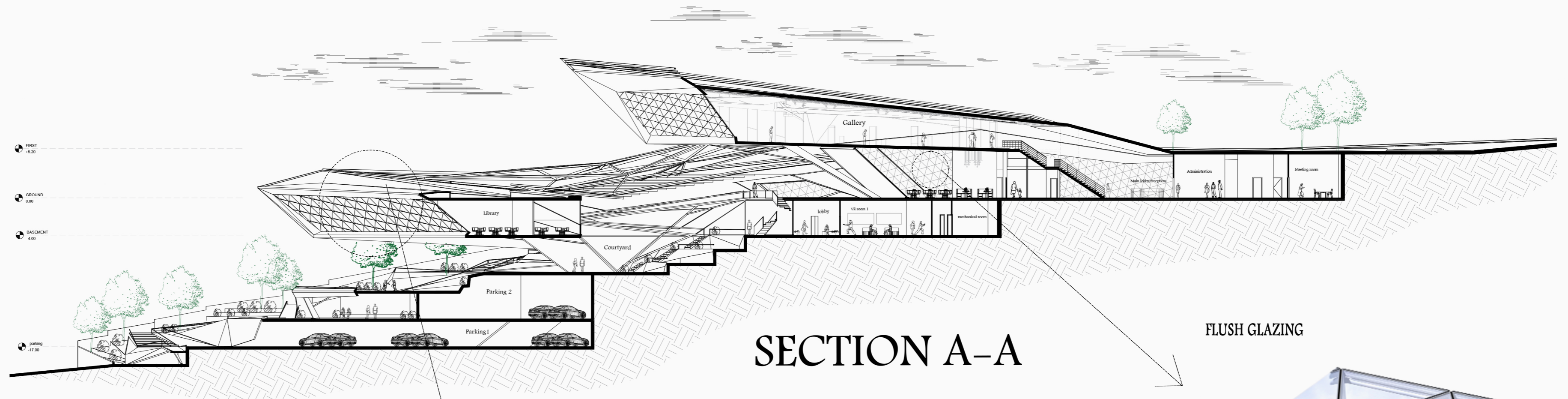
Drawing Title:

CURTAIN WALL DETAILS

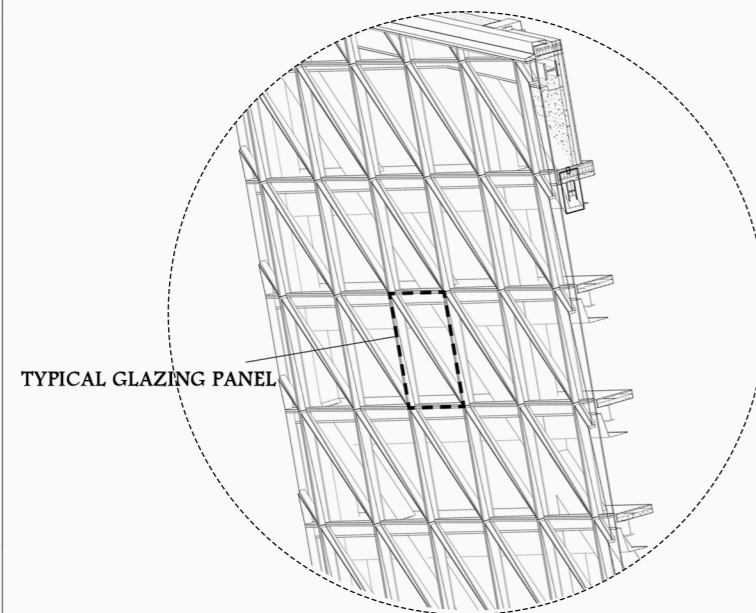
Scale :

Sheet NO : A11

Date : 19/01/2021



SECTION A-A



TYPICAL GLAZING PANEL

CURTAIN WALL TYPE 1

CLOSED CAVITY FACADE SYSTEM, TYPICAL GLAZING PANEL

Roller blind cover:
Natural anodised aluminum extrusion

Spandrel panel:
Natural anodised aluminum sheet

Inner pane glass:
Low-iron triple glazed insulated unit with low emissivity coating for increased overall insulation value

Roller blind:
Fabric type "Shadow III R", with a grey internal colour to maximise the visibility to the outside.

The blind is highly reflective to the outside to increase reflectance and reduce heat absorption

Mullions & transoms:
Natural anodised aluminum extrusions

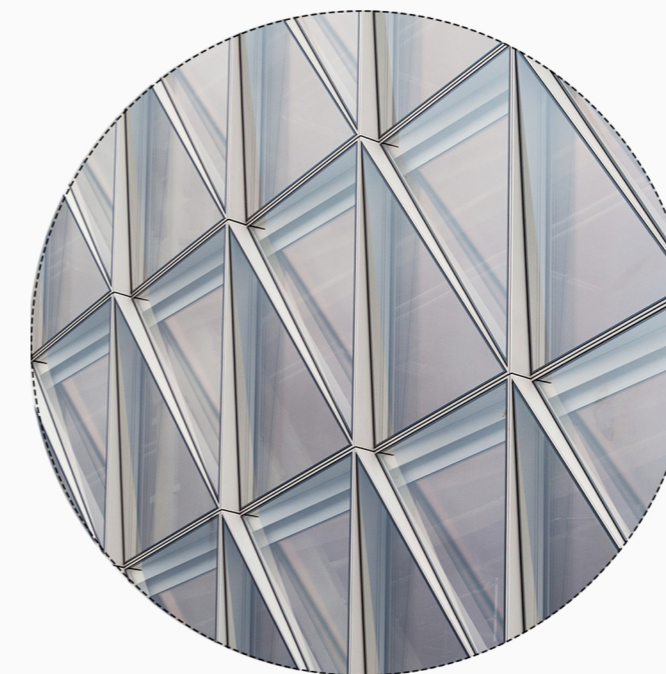
Outer paneiglass:
Low-iron monolithic glass (laminated at ground level)

The solar coating, ipasol bright, reduces solar energy entering the cavity and makes the facade reflect its surroundings

Closed Cavity Facade system

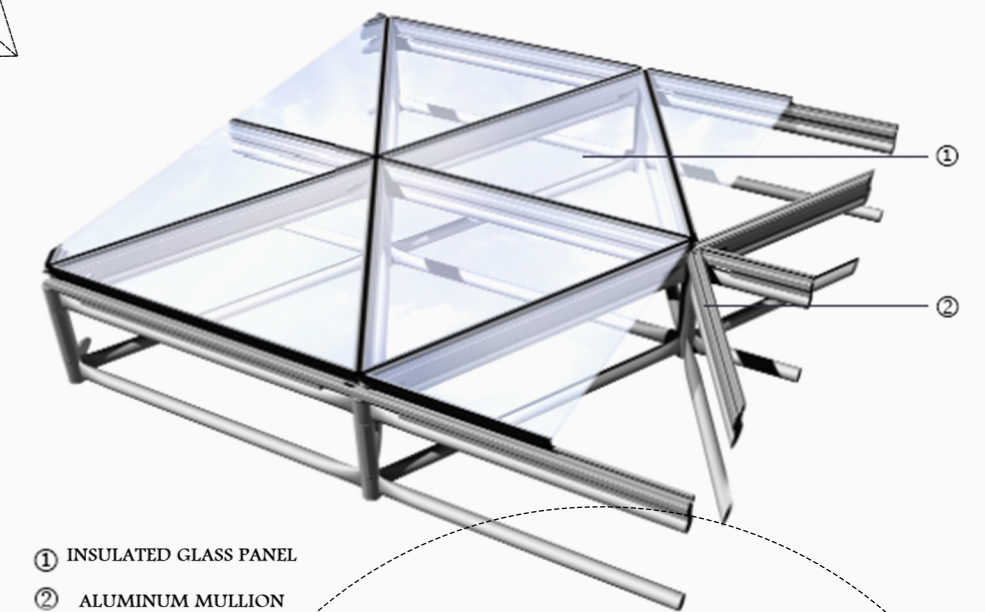
The cavity is sealed and the performance of inner and outer layers of glass and the blinds is balanced to ensure good conditions in summer and winter.

- High performance
- Less frequent cleaning
- Shading device is less prone to damage

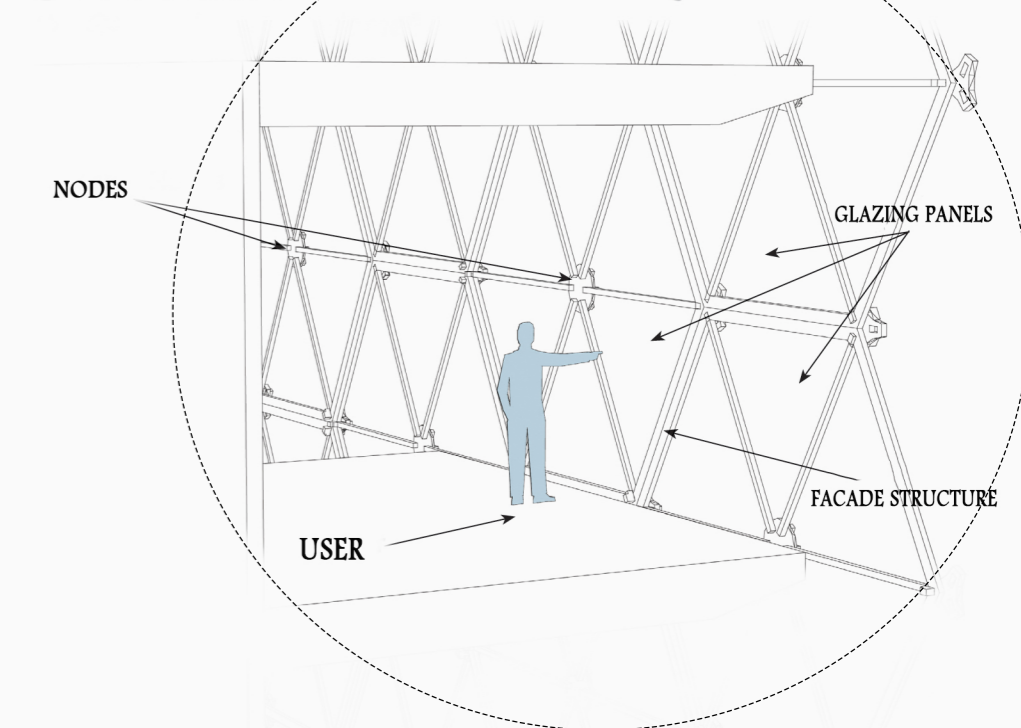


3D VIEW OF TYPE 1

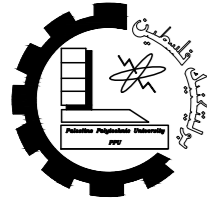
FLUSH GLAZING



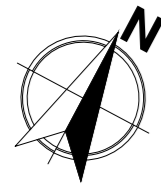
- ① INSULATED GLASS PANEL
- ② ALUMINUM MULLION



CURTAIN WALL TYPE 2



Palestine Polytechnic University
College of Engineering
Civil & Architecture Department
Architectural Engineering



Supervisor :

Dr. Bader Atawneh

Designed by :

Aseel AlJaberi

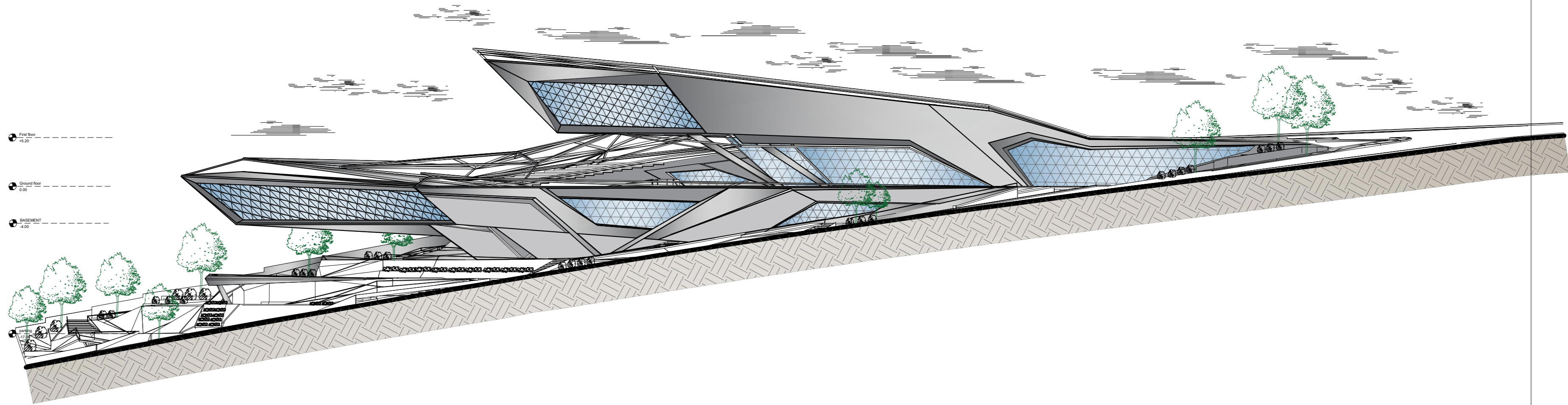
Drawing Title:

ELEVATIONS

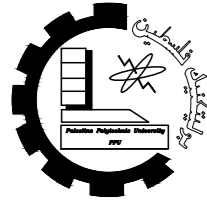
Scale :

Sheet NO : A6

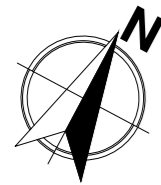
Date : 10/01/2021



NORTHERN EAST ELEVATION



Palestine Polytechnic University
College of Engineering
Civil & Architecture Department
Architectural Engineering



Supervisor :

Dr. Bader Atawneh

Designed by :

Aseel AlJaberi

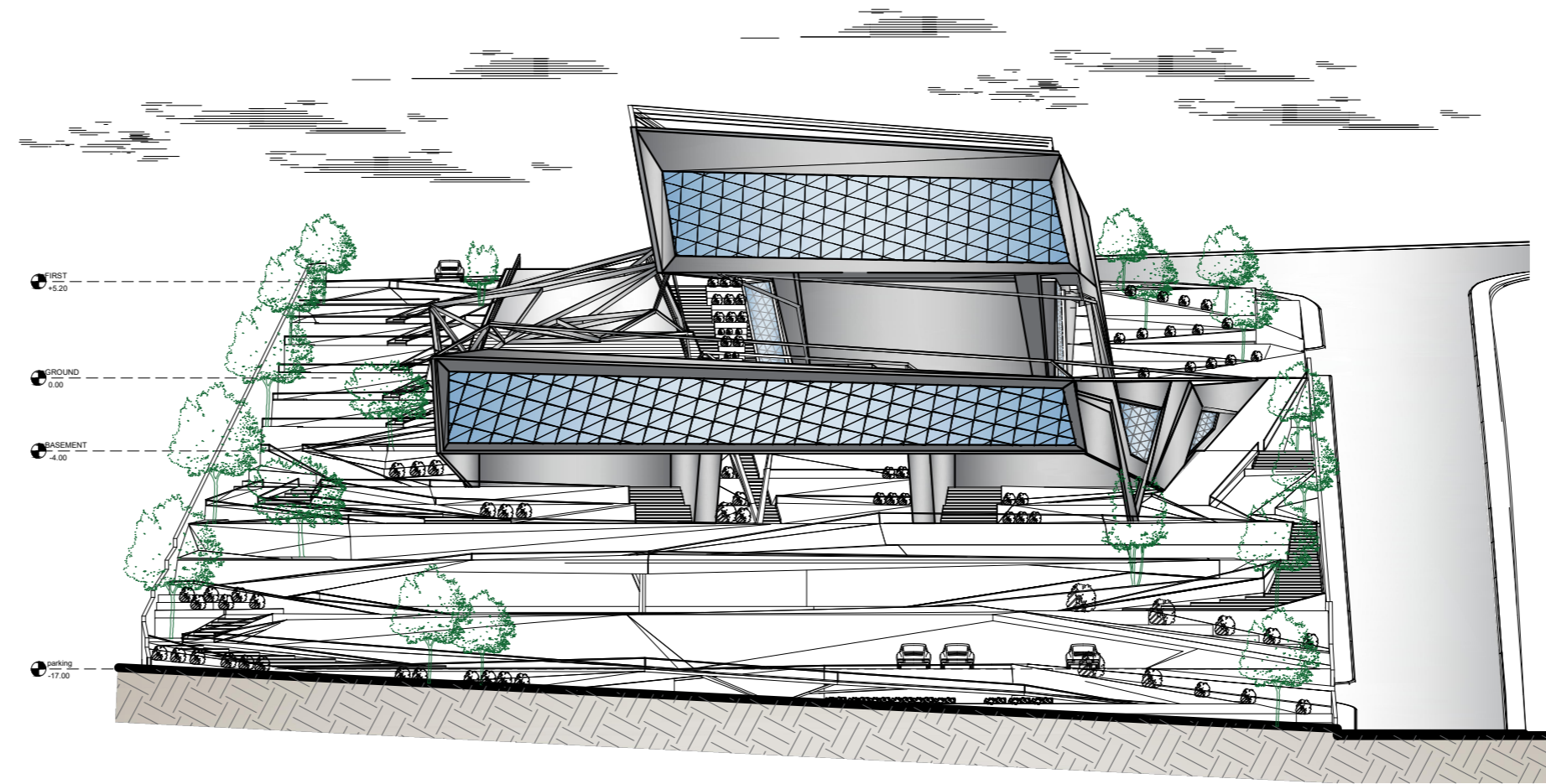
Drawing Title:

ELEVATIONS

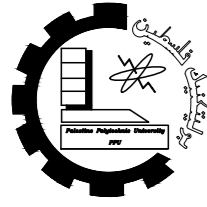
Scale :

Sheet NO : A7

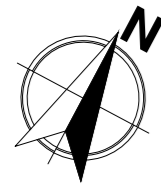
Date : 10/01/2021



SOUTHERN EAST ELEVATION



Palestine Polytechnic University
College of Engineering
Civil & Architecture Department
Architectural Engineering



Supervisor :

Dr. Bader Atawneh

Designed by :

Aseel AlJaberi

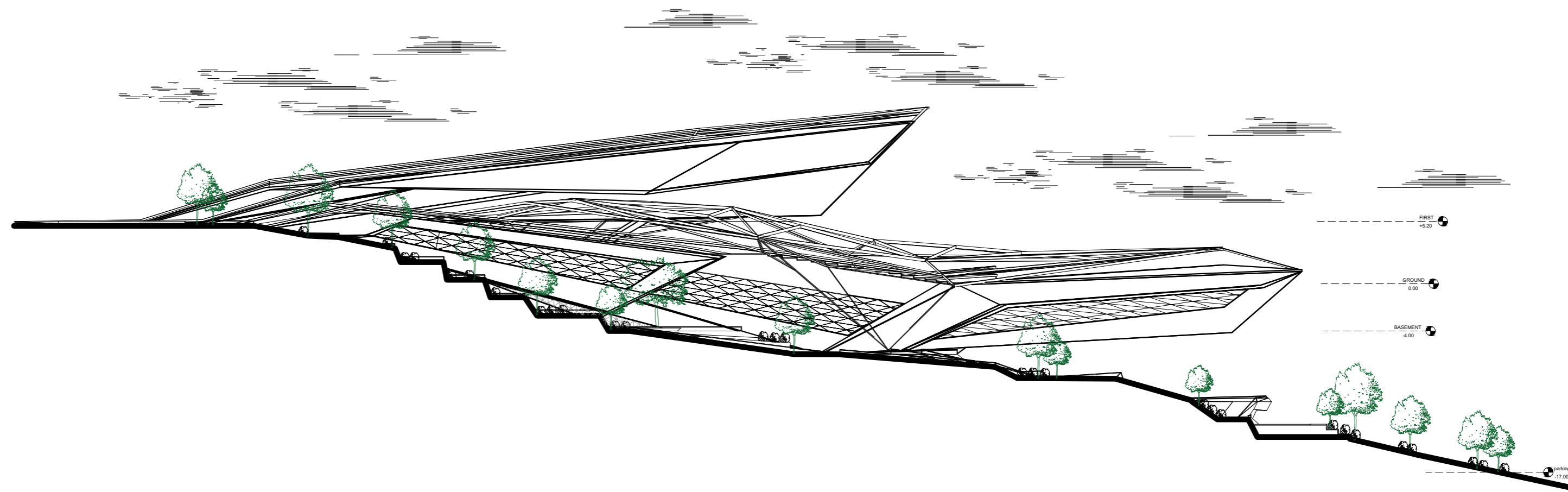
Drawing Title:

ELEVATIONS

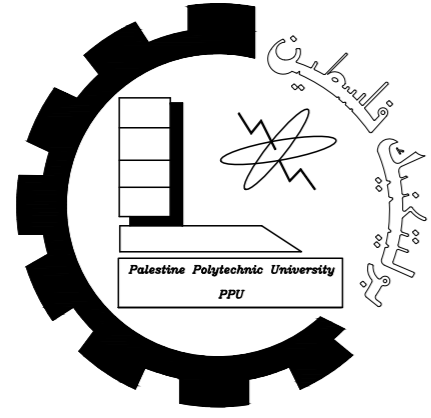
Scale :

Sheet NO : A8

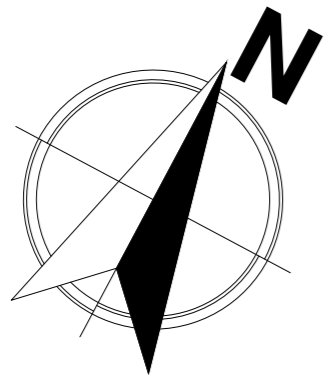
Date : 10/01/2021



SOUTHERN WEST ELEVATION



Palestine Polytechnic University
College of Engineering
Civil & Architecture Department
Architectural Engineering



Supervisor :

Dr. Bader Atawneh

Designed by :

Aseel Aljaberi

Drawing Title:

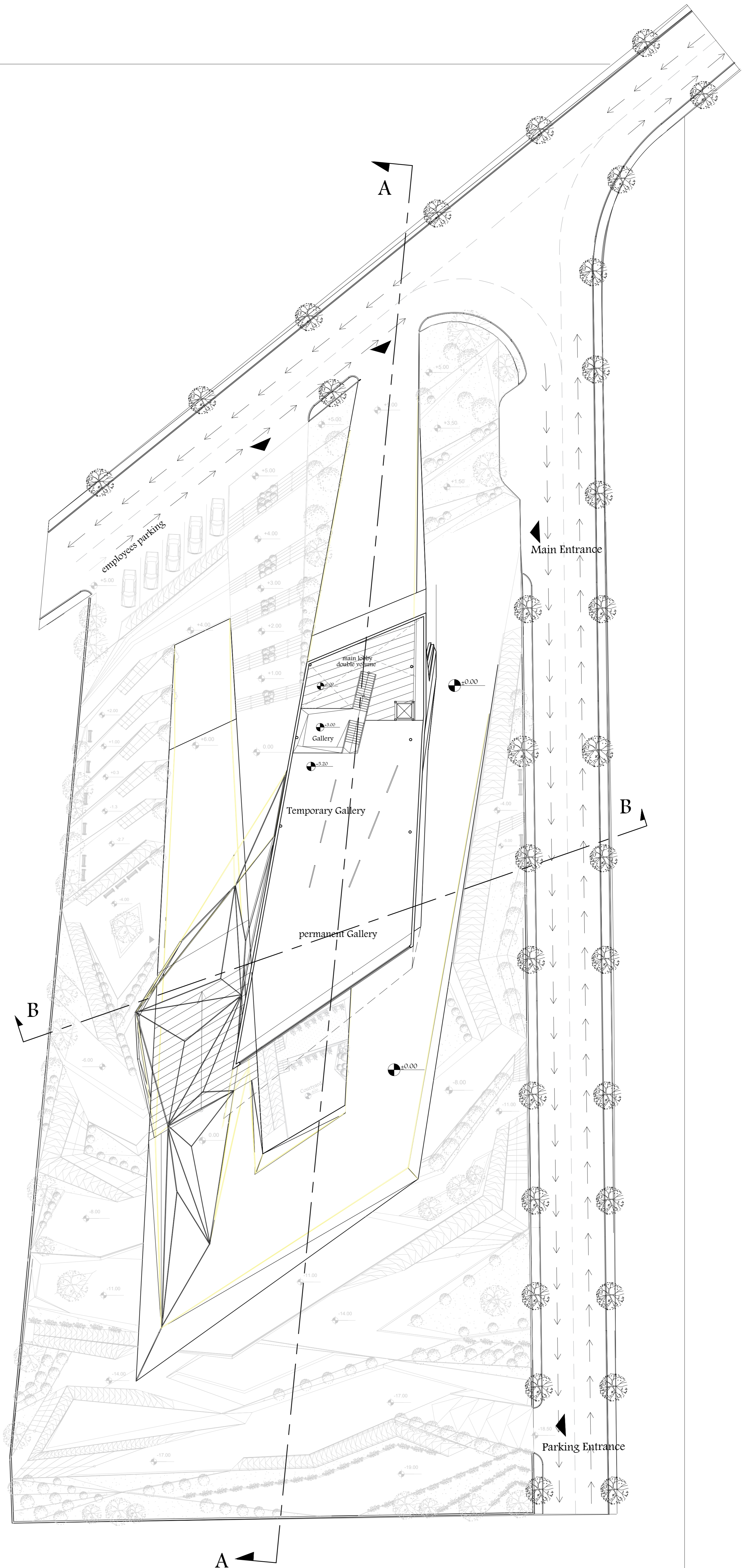
FIRST FLOOR PLAN

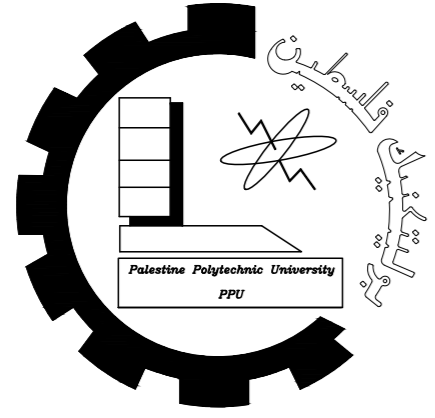
Scale :

Sheet NO :

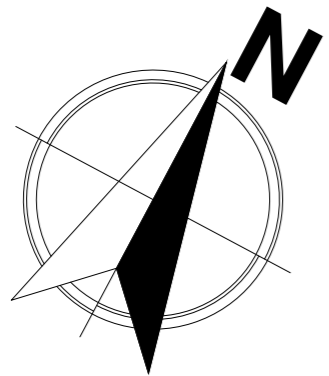
A3

Date : 10/01/2021





Palestine Polytechnic University
College of Engineering
Civil & Architecture Department
Architectural Engineering



Supervisor :

Dr. Bader Atawneh

Designed by :

Aseel Aljaberi

Drawing Title:

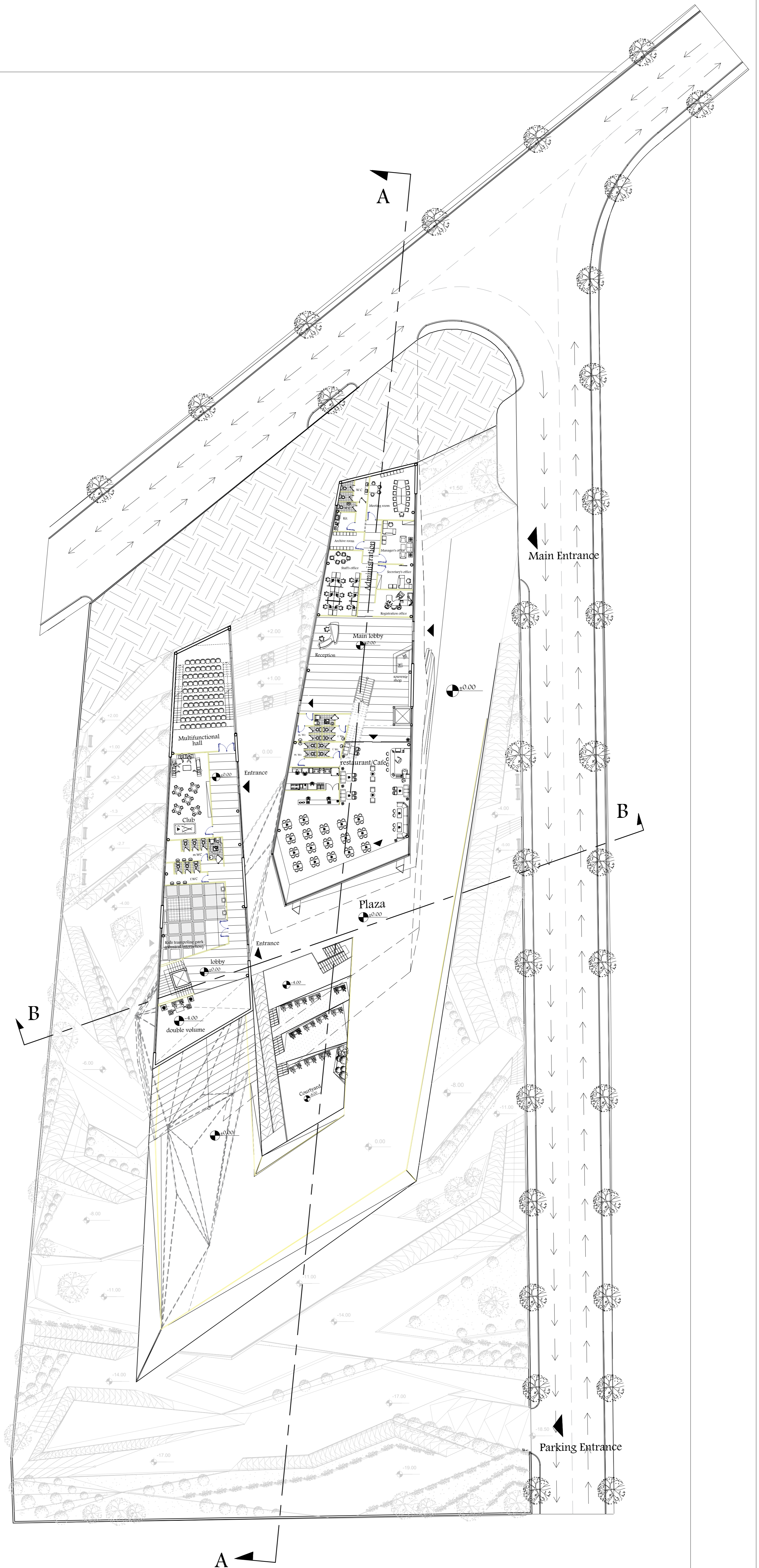
MASTER PLAN

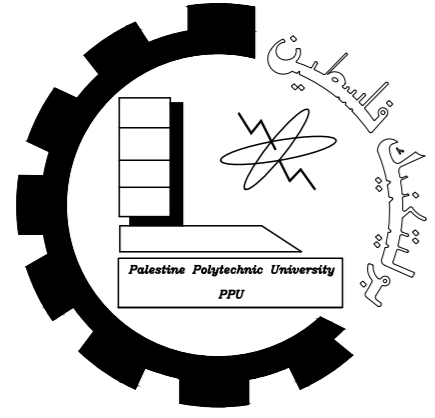
Scale :

Sheet NO :

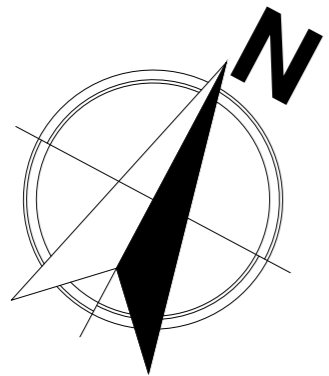
A2

Date : 10/01/2021





Palestine Polytechnic University
College of Engineering
Civil & Architecture Department
Architectural Engineering



Supervisor :

Dr. Bader Atawneh

Designed by :

Aseel Aljaberi

Drawing Title:

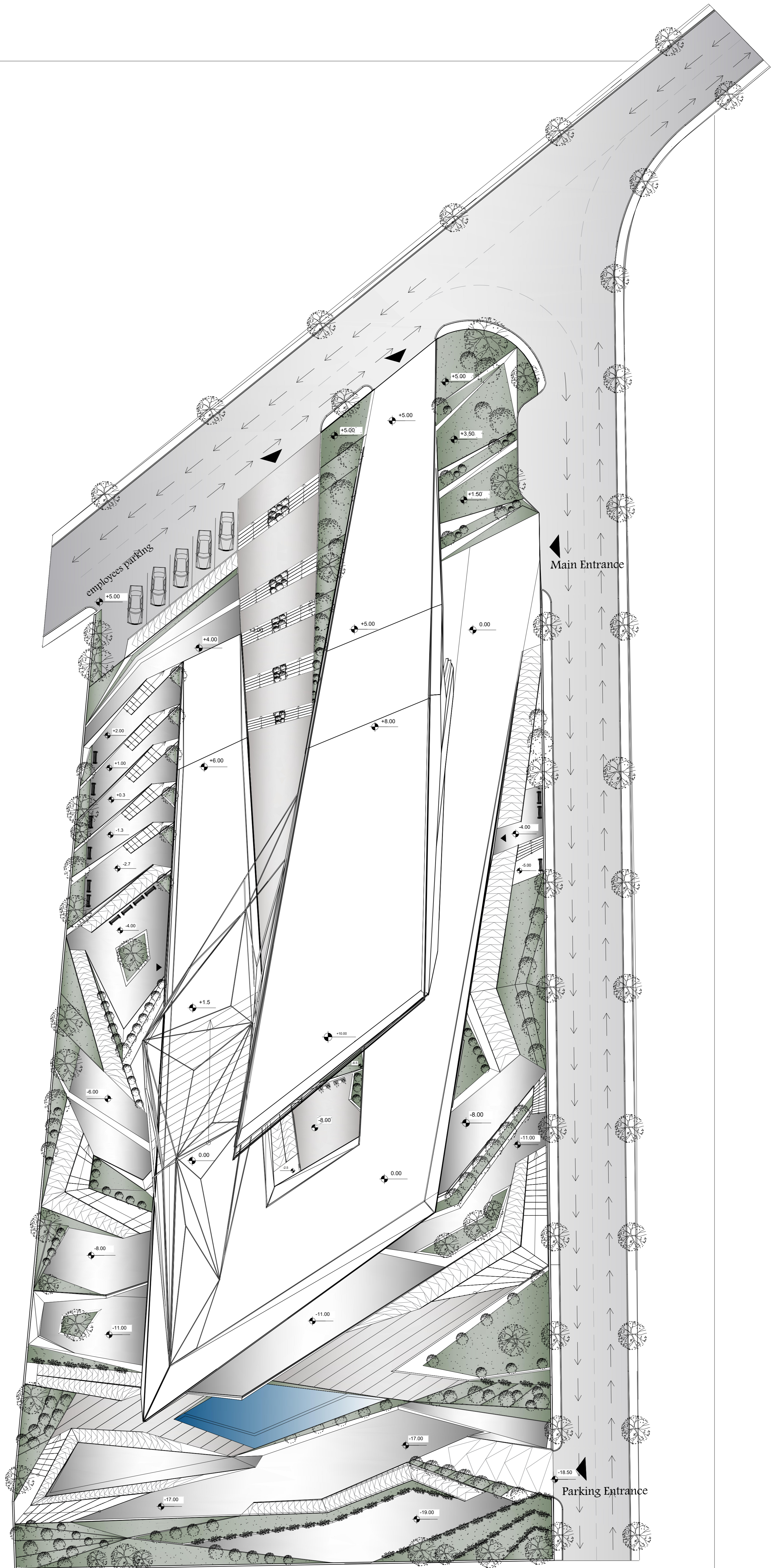
SITE PLAN

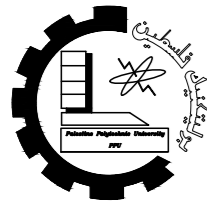
Scale :

Sheet NO :

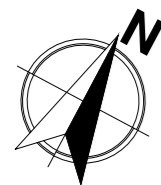
A1

Date : 10/01/2021





Palestine Polytechnic University
College of Engineering
Civil & Architecture Department
Architectural Engineering



Supervisor :

Dr. Bader Atawneh

Designed by :

Aseel AlJaberi

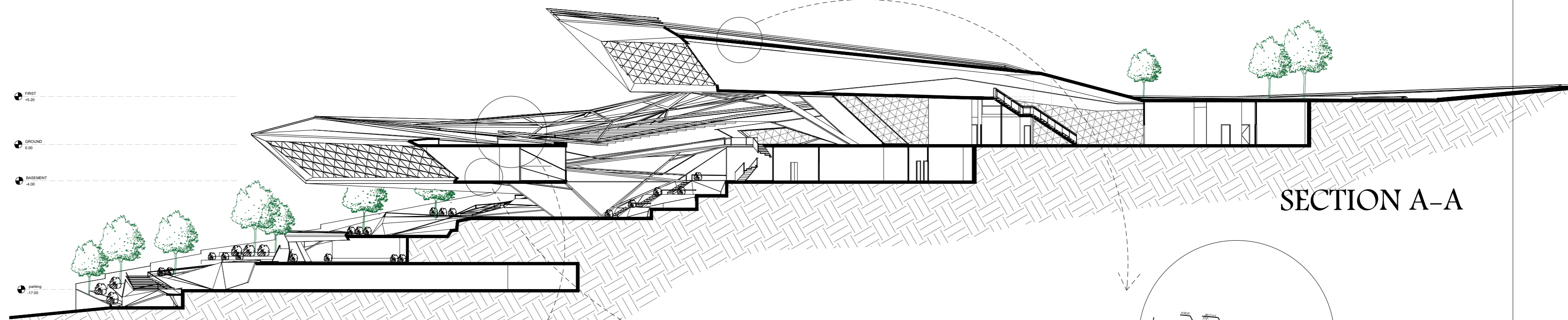
Drawing Title:

STRUCTURAL DETAILS

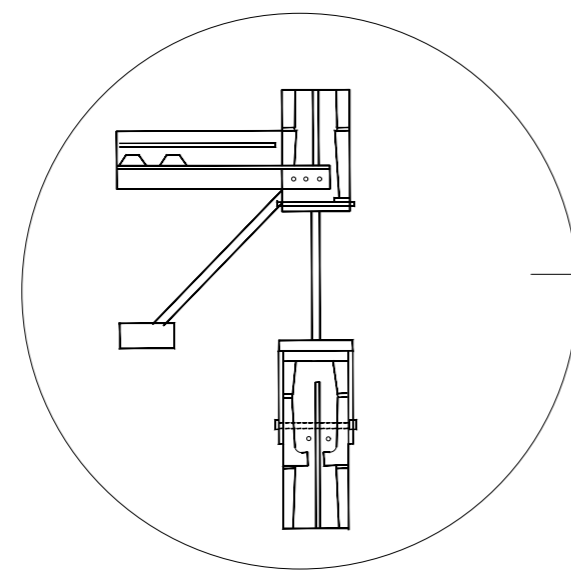
Scale :

Sheet NO : A10

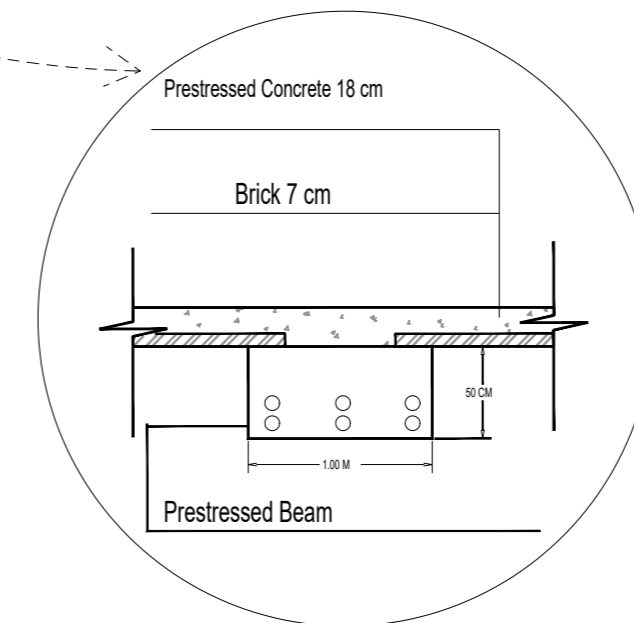
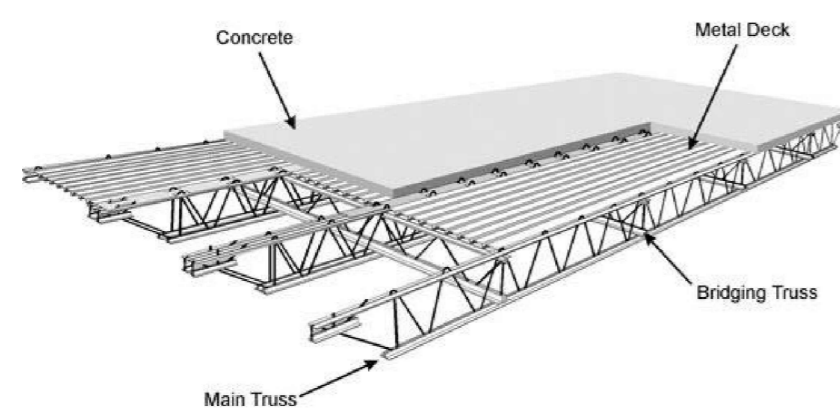
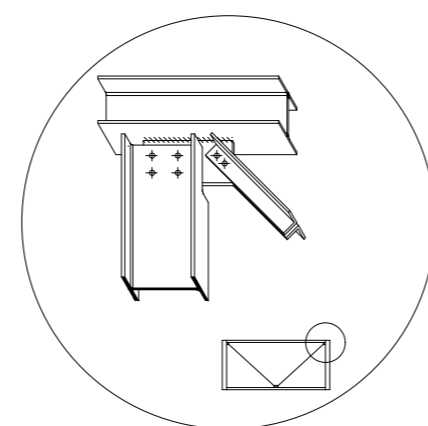
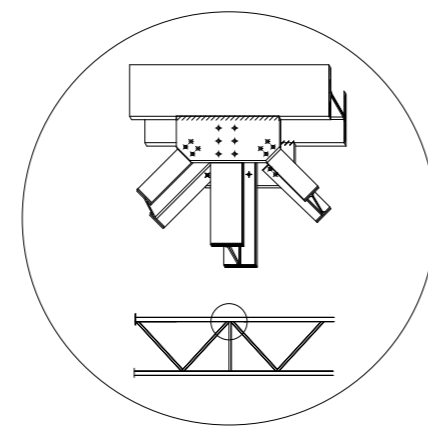
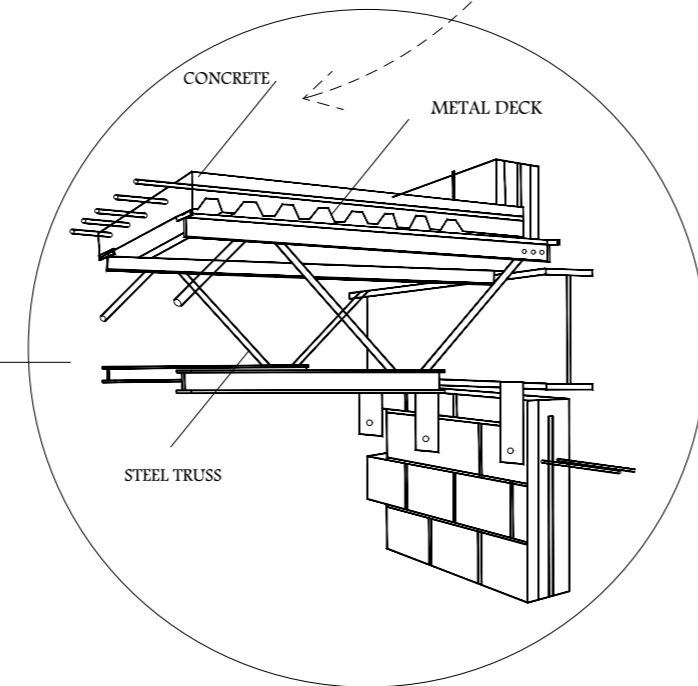
Date : 10/01/2021



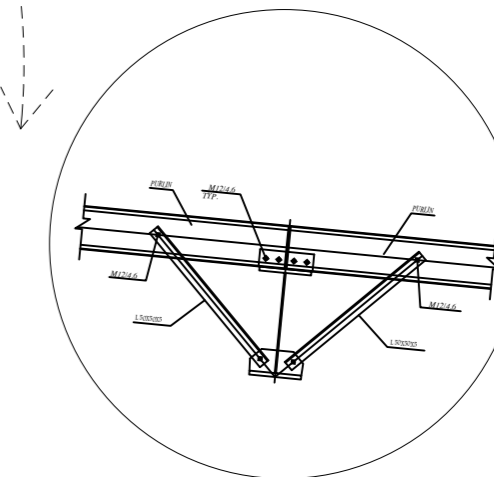
SECTION A-A



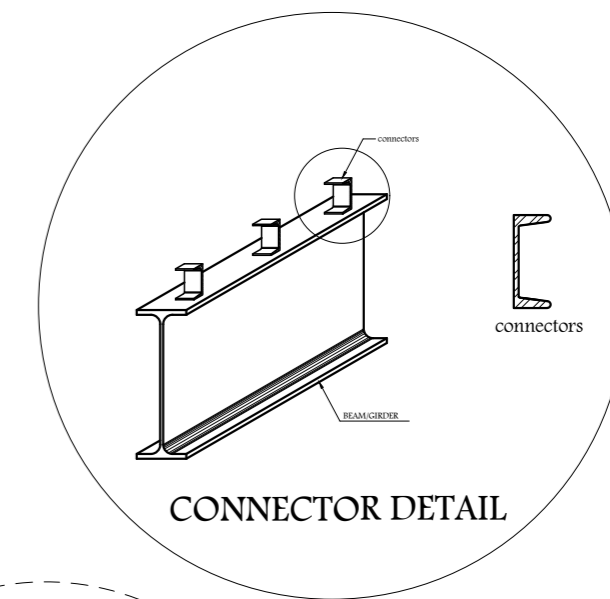
STEEL TRUSS DETAILS



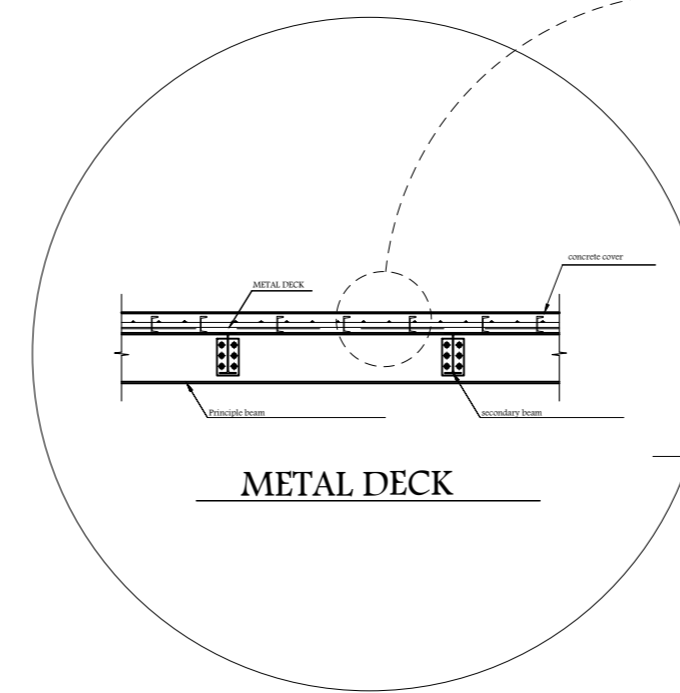
Prestressed Concrete slab detail



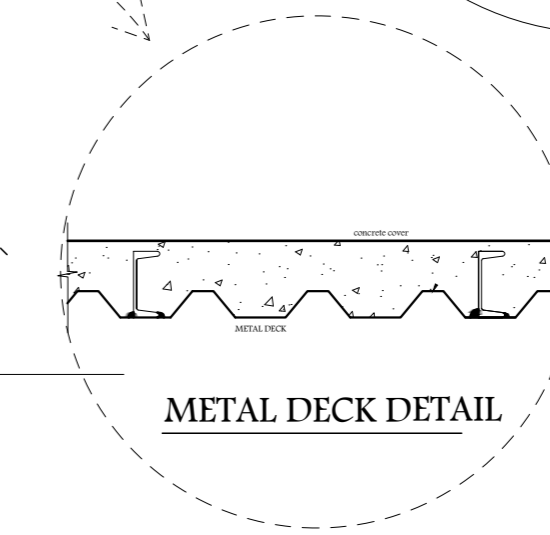
DETAIL OF TRUSS KNEE BRACING WITH PURLINS



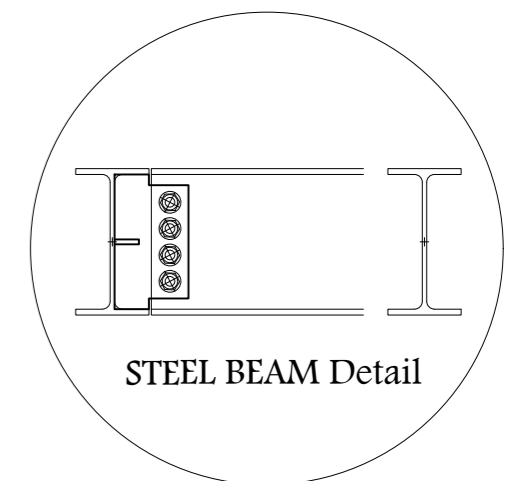
CONNECTOR DETAIL



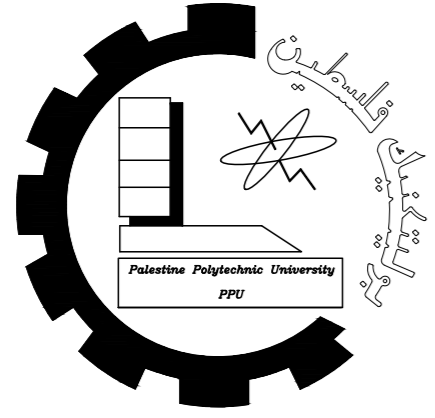
METAL DECK



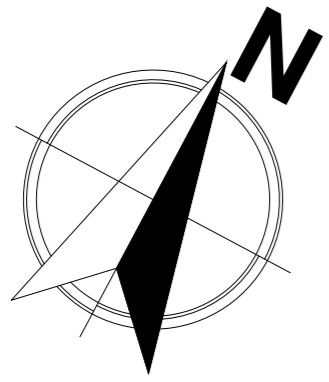
METAL DECK DETAIL



STEEL BEAM Detail



Palestine Polytechnic University
College of Engineering
Civil & Architecture Department
Architectural Engineering



Supervisor :

Dr. Bader Atawneh

Designed by :

Aseel Aljaberi

Drawing Title:

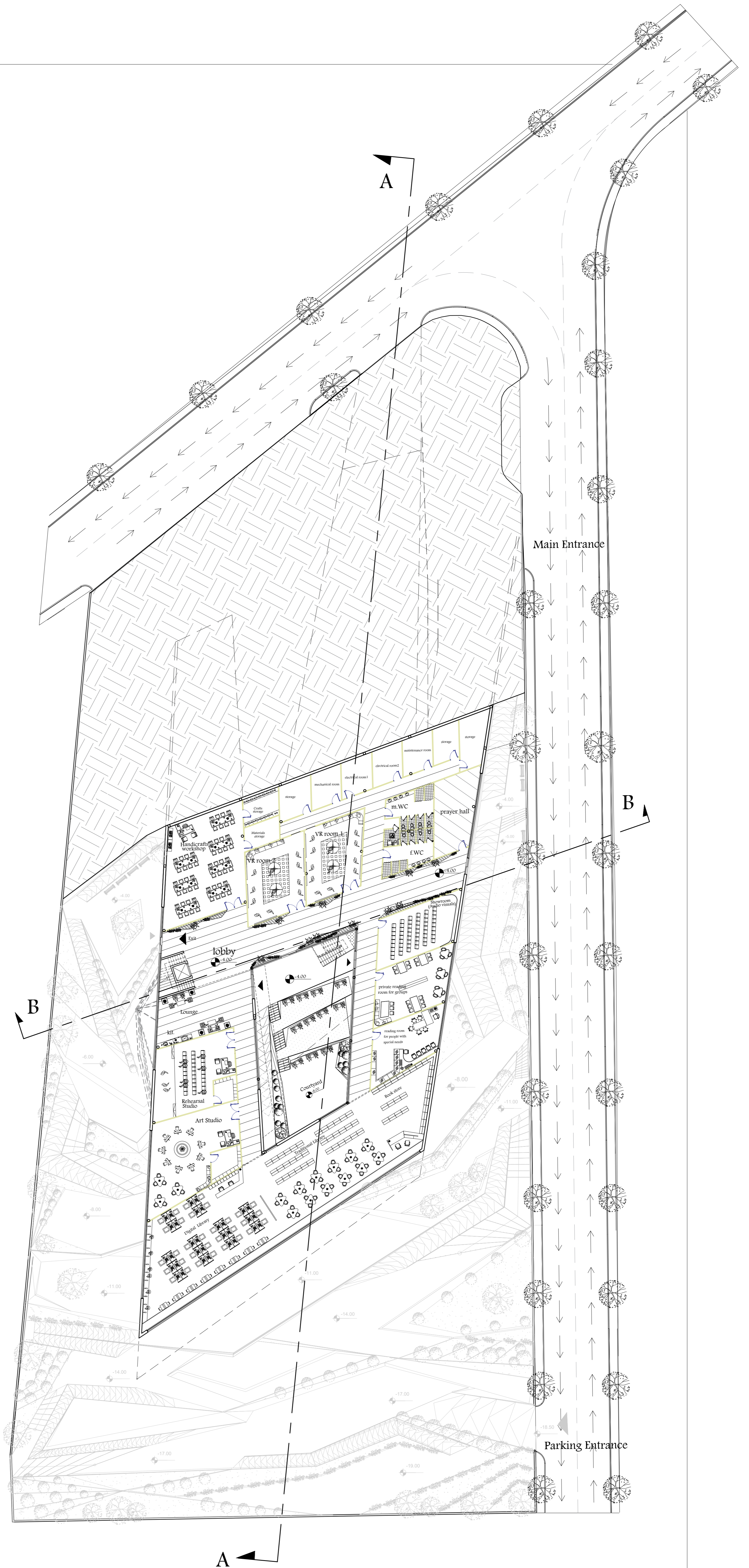
BASEMENT PLAN

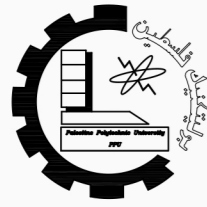
Scale :

Sheet NO :

A4

Date : 10/01/2021





Palestine Polytechnic University
 College of Engineering
 Civil & Architecture Department
 Architectural Engineering



Supervisor :

Dr. Bader Atawneh

Designed by :

Aseel AlJaberi

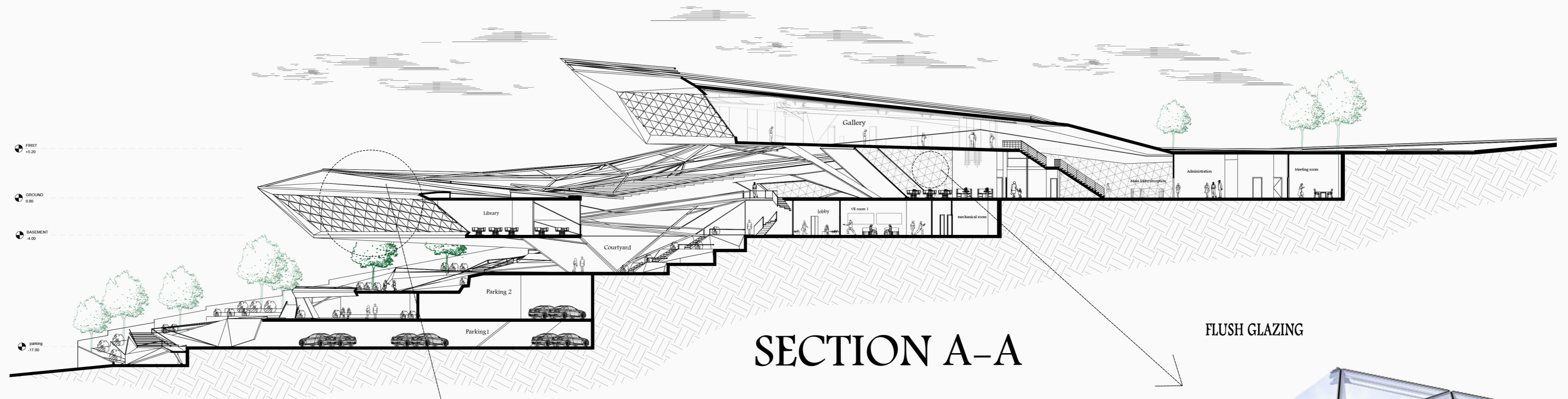
Drawing Title:

CURTAIN WALL DETAILS

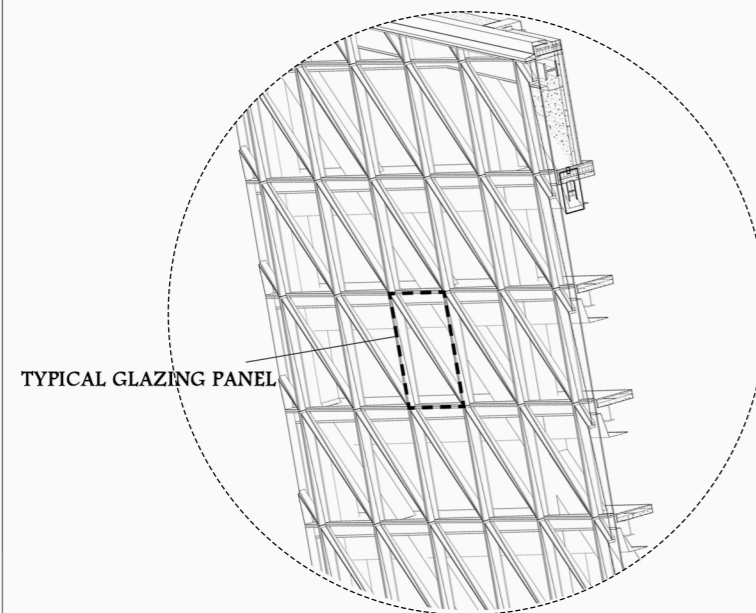
Scale :

Sheet NO : A11

Date : 19/01/2021



SECTION A-A



TYPICAL GLAZING PANEL

CURTAIN WALL TYPE 1

CLOSED CAVITY FACADE SYSTEM, TYPICAL GLAZING PANEL

Roller blind cover:
Natural anodised aluminum extrusion

Spandrel panel:
Natural anodised aluminum sheet

Inner pane glass:
Low-iron triple glazed insulated unit with low emissivity coating for increased overall insulation value

Roller blind:
Fabric type "Shadow III R", with a grey internal colour to maximise the visibility to the outside.

The blind is highly reflective to the outside to increase reflectance and reduce heat absorption

Mullions & transoms:
Natural anodised aluminum extrusions

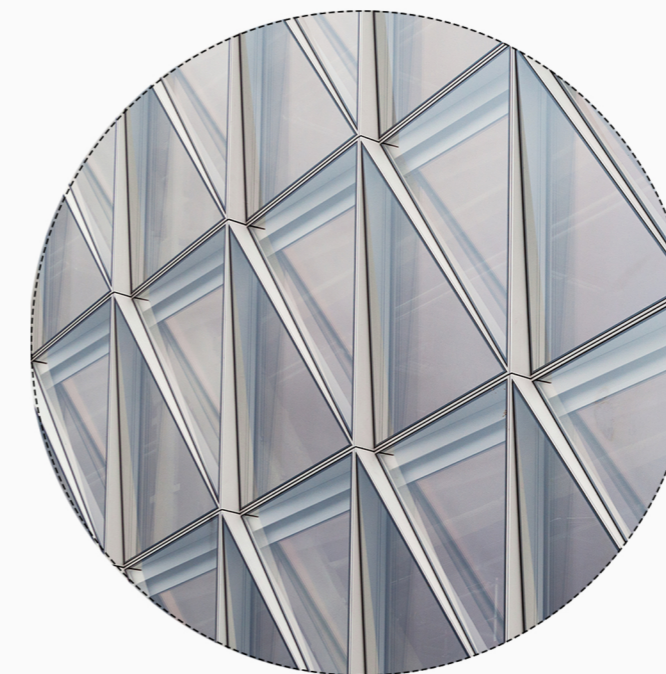
Outer paneiglass:
Low-iron monolithic glass (laminated at ground level)

The solar coating, ipasol bright, reduces solar energy entering the cavity and makes the facade reflect its surroundings

Closed Cavity Facade system

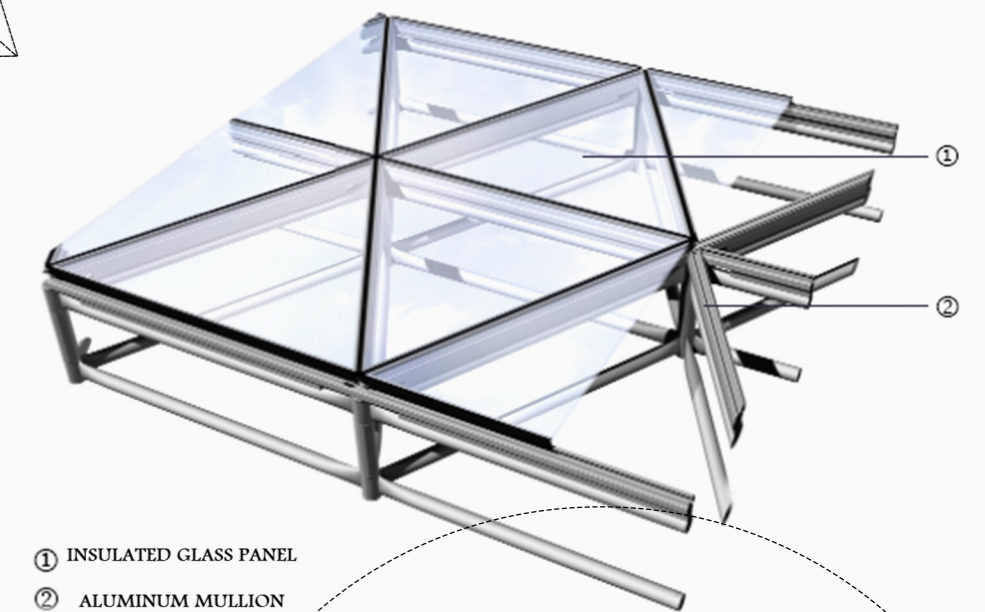
The cavity is sealed and the performance of inner and outer layers of glass and the blinds is balanced to ensure good conditions in summer and winter.

- High performance
- Less frequent cleaning
- Shading device is less prone to damage

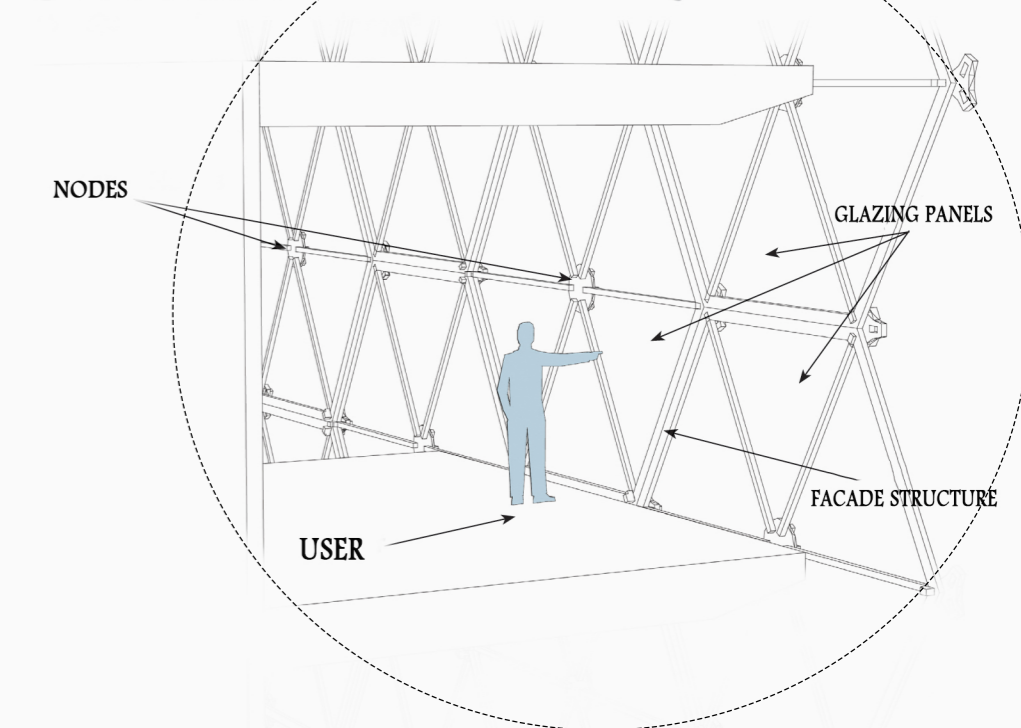


3D VIEW OF TYPE 1

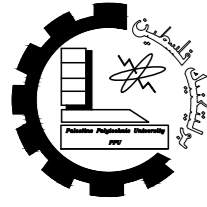
FLUSH GLAZING



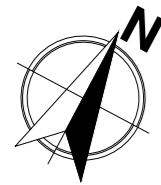
- ① INSULATED GLASS PANEL
- ② ALUMINUM MULLION



CURTAIN WALL TYPE 2



Palestine Polytechnic University
College of Engineering
Civil & Architecture Department
Architectural Engineering



Supervisor :

Dr. Bader Atawneh

Designed by :

Aseel AlJaberi

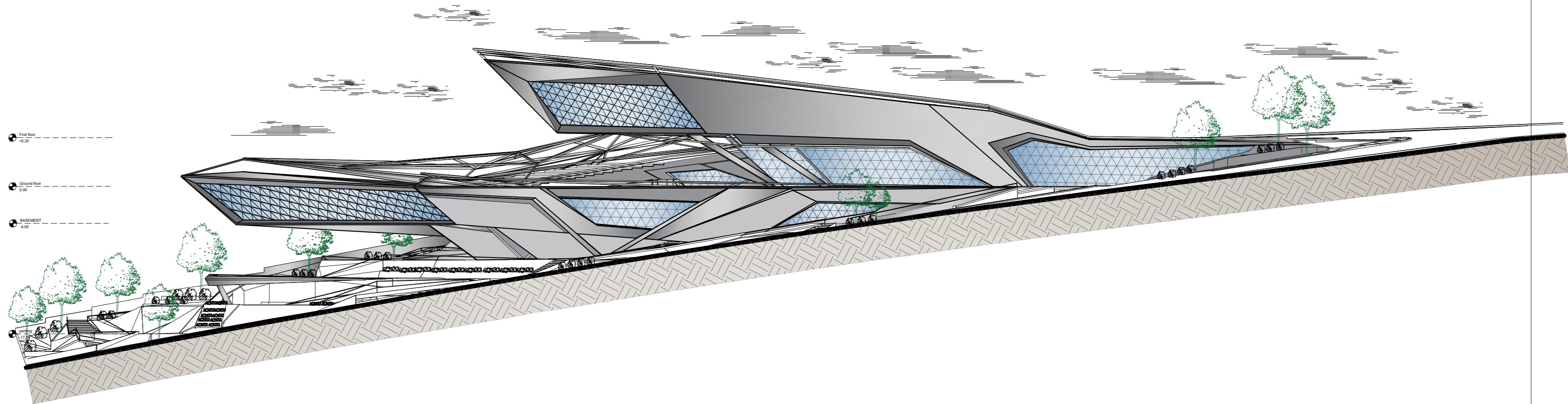
Drawing Title:

ELEVATIONS

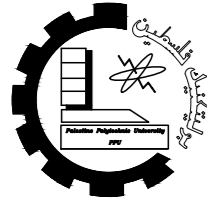
Scale :

Sheet NO : A6

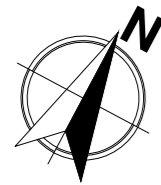
Date : 10/01/2021



NORTHERN EAST ELEVATION



Palestine Polytechnic University
College of Engineering
Civil & Architecture Department
Architectural Engineering



Supervisor :

Dr. Bader Atawneh

Designed by :

Aseel AlJaberi

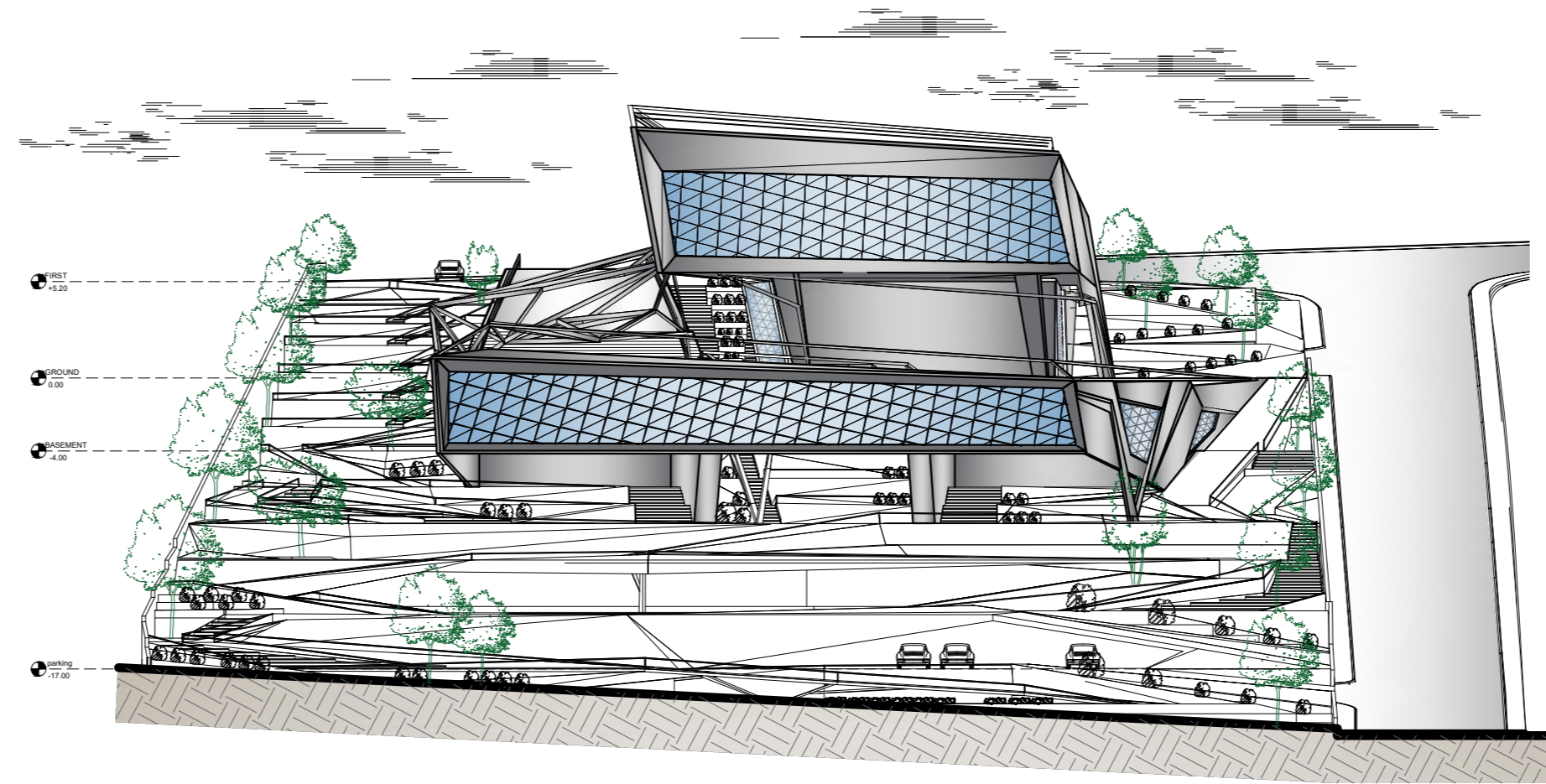
Drawing Title:

ELEVATIONS

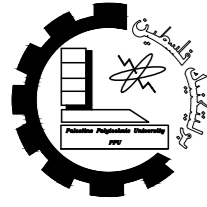
Scale :

Sheet NO : A7

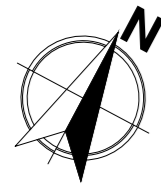
Date : 10/01/2021



SOUTHERN EAST ELEVATION



Palestine Polytechnic University
College of Engineering
Civil & Architecture Department
Architectural Engineering



Supervisor :

Dr. Bader Atawneh

Designed by :

Aseel AlJaberi

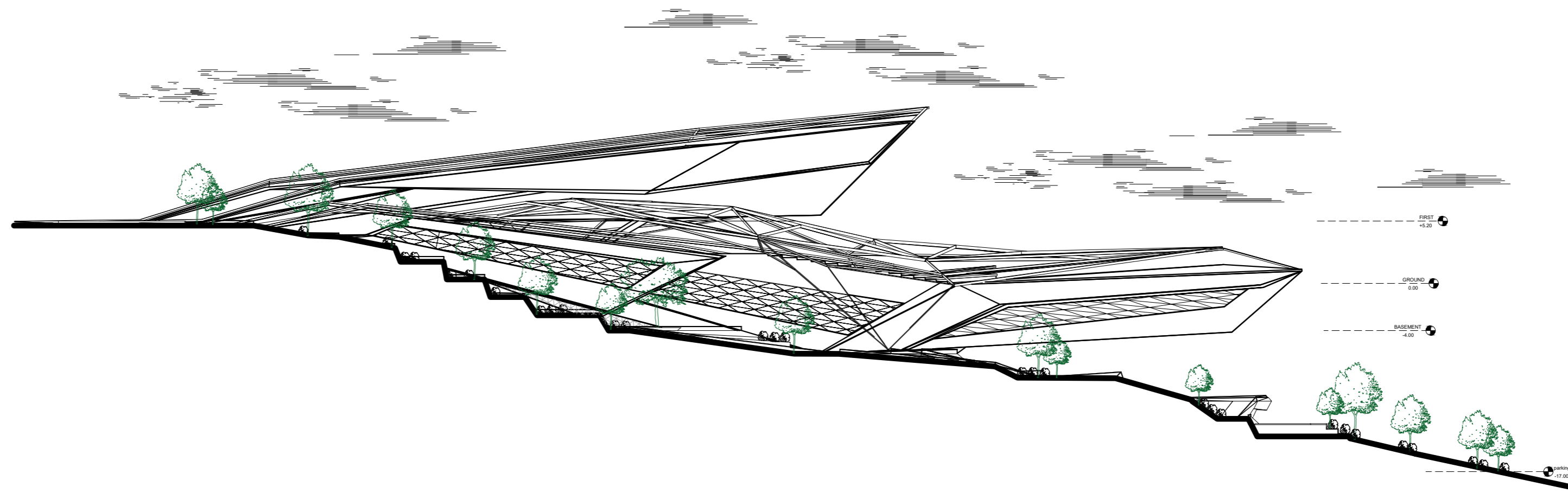
Drawing Title:

ELEVATIONS

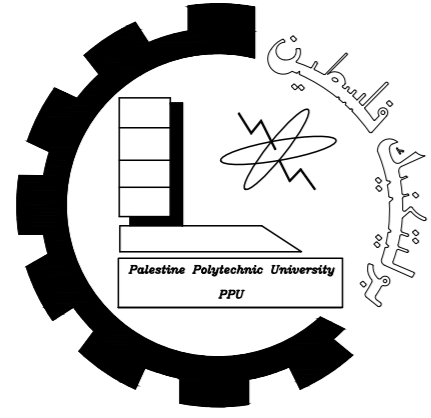
Scale :

Sheet NO : A8

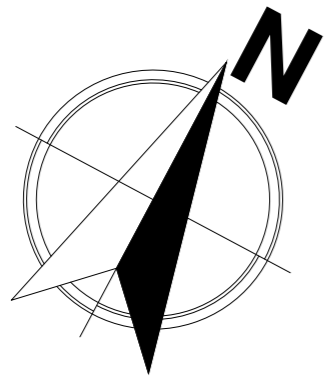
Date : 10/01/2021



SOUTHERN WEST ELEVATION



Palestine Polytechnic University
College of Engineering
Civil & Architecture Department
Architectural Engineering



Supervisor :

Dr. Bader Atawneh

Designed by :

Aseel Aljaberi

Drawing Title:

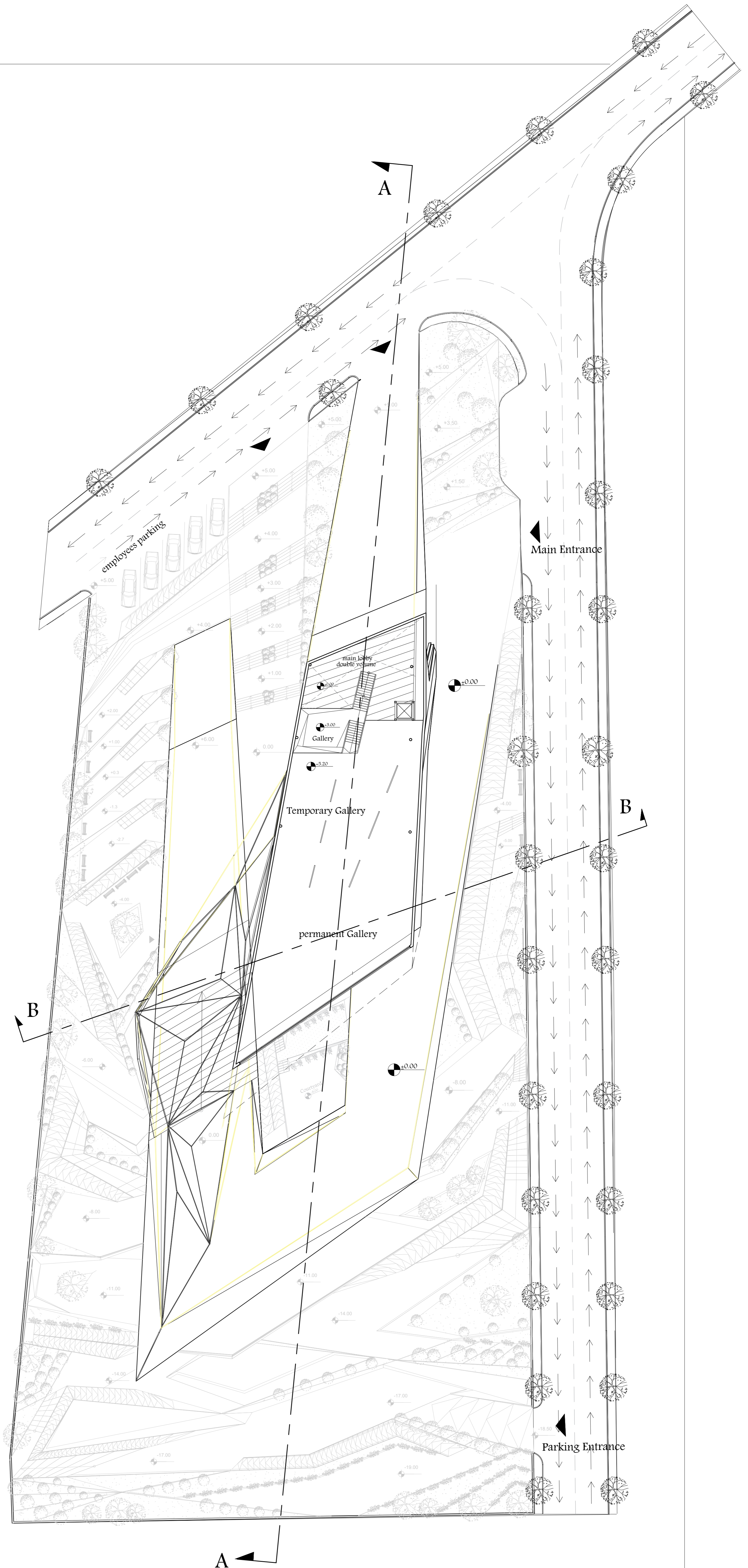
FIRST FLOOR PLAN

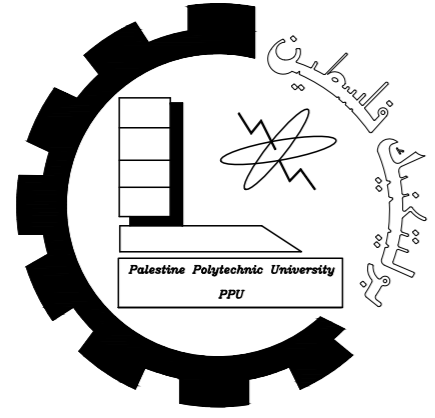
Scale :

Sheet NO :

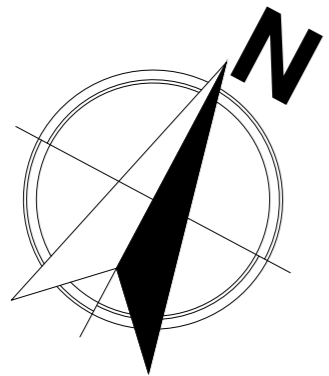
A3

Date : 10/01/2021





Palestine Polytechnic University
College of Engineering
Civil & Architecture Department
Architectural Engineering



Supervisor :

Dr. Bader Atawneh

Designed by :

Aseel Aljaberi

Drawing Title:

MASTER PLAN

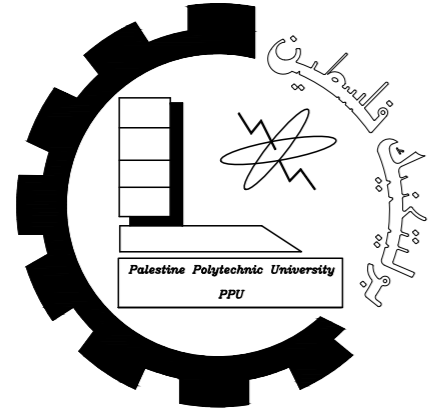
Scale :

Sheet NO :

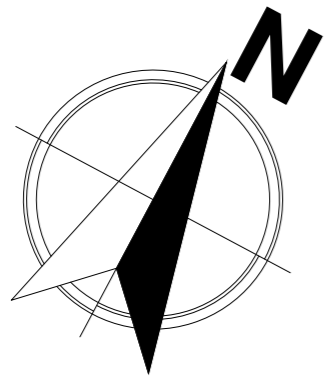
A2

Date : 10/01/2021





Palestine Polytechnic University
College of Engineering
Civil & Architecture Department
Architectural Engineering



Supervisor :

Dr. Bader Atawneh

Designed by :

Aseel Aljaberi

Drawing Title:

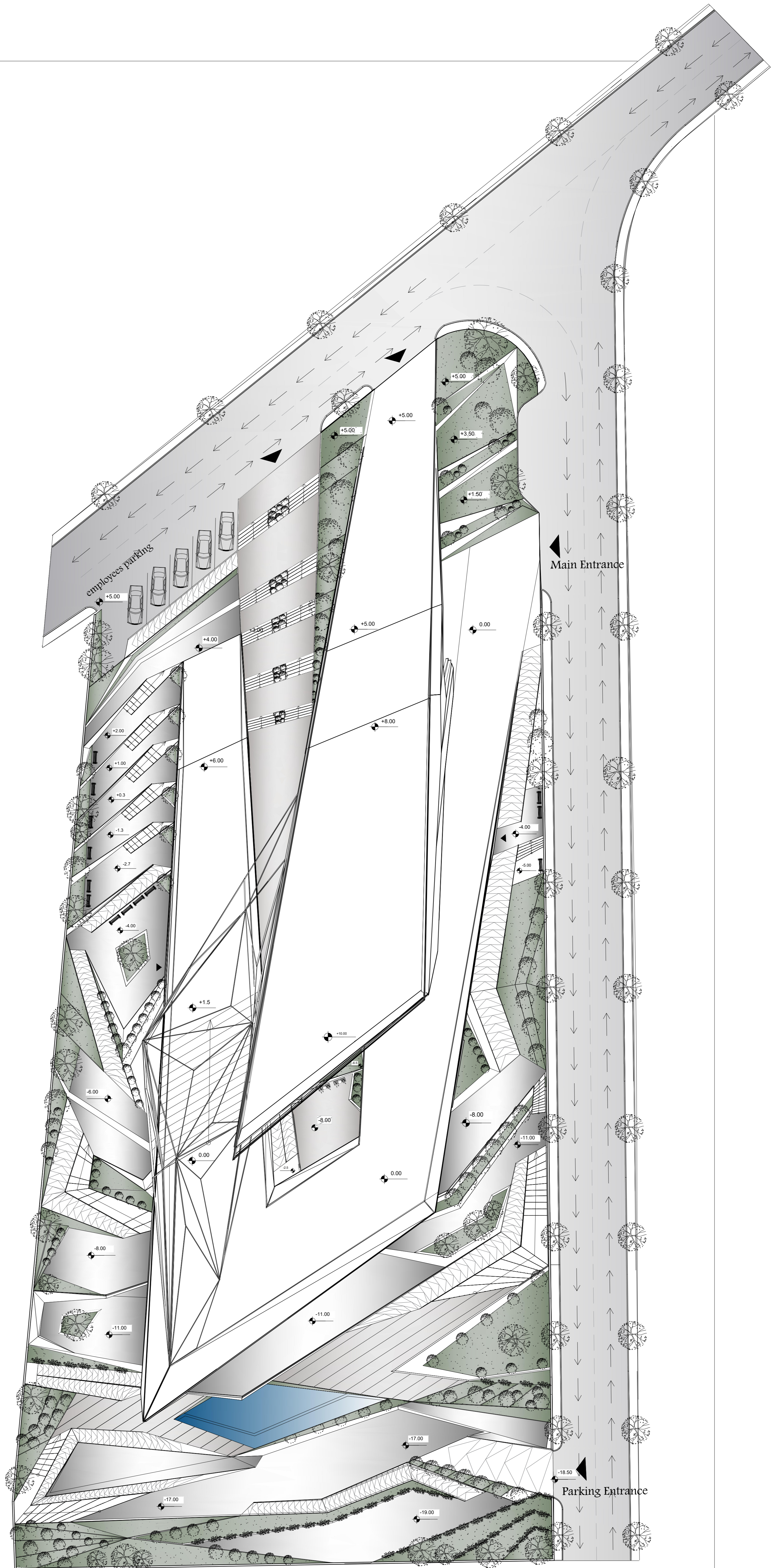
SITE PLAN

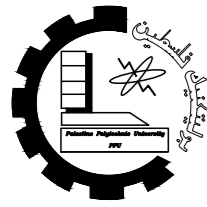
Scale :

Sheet NO :

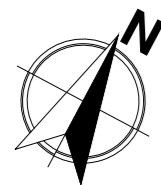
A1

Date : 10/01/2021





Palestine Polytechnic University
College of Engineering
Civil & Architecture Department
Architectural Engineering



Supervisor :

Dr. Bader Atawneh

Designed by :

Aseel AlJaberi

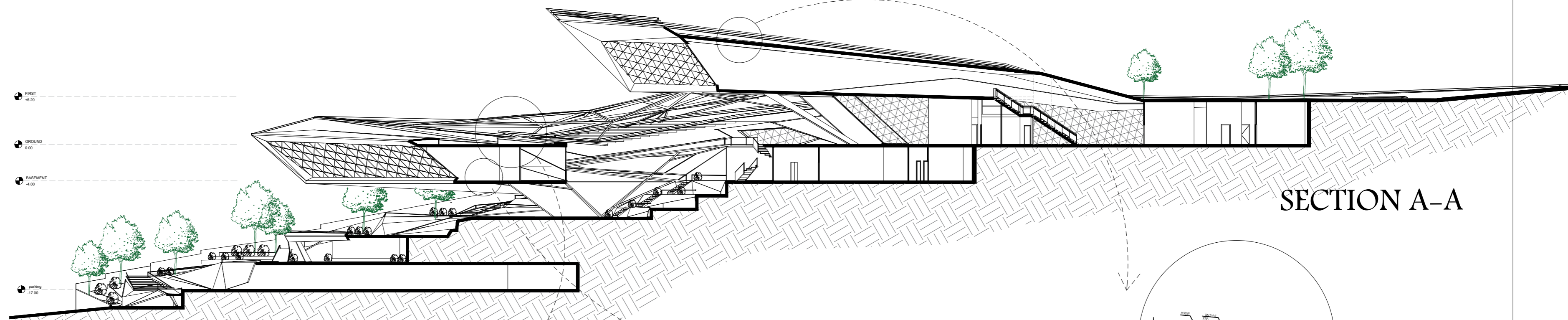
Drawing Title:

STRUCTURAL DETAILS

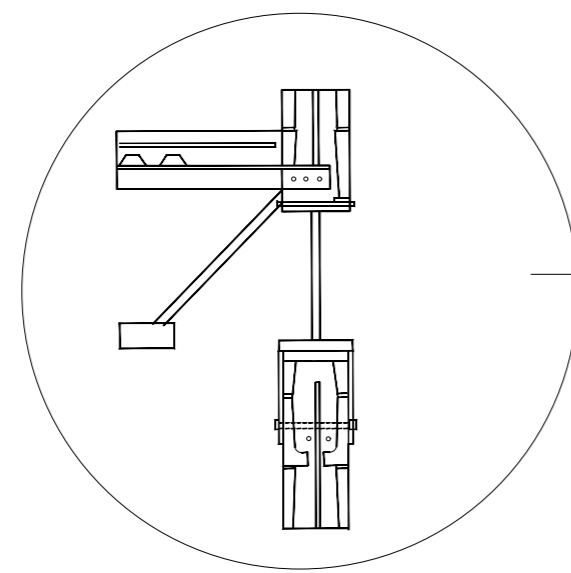
Scale :

Sheet NO : A10

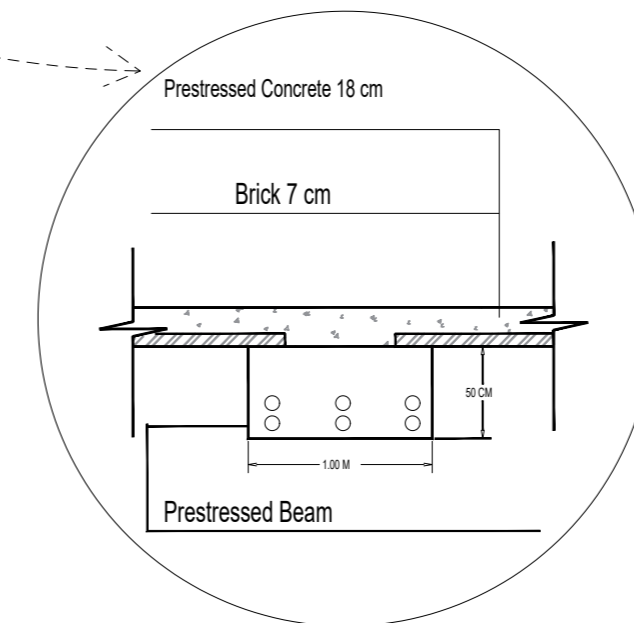
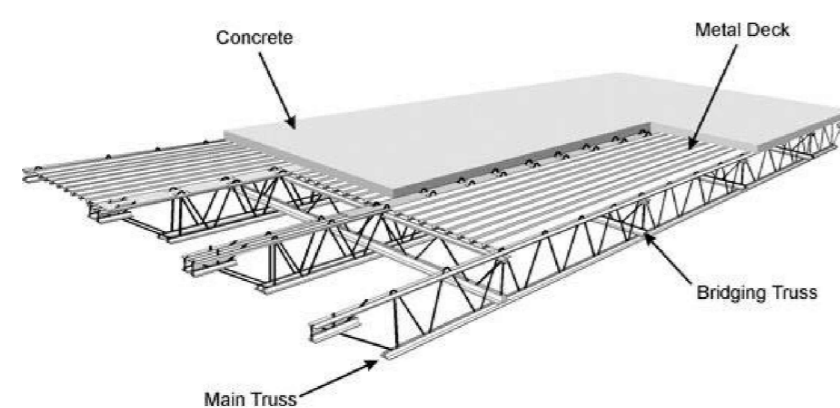
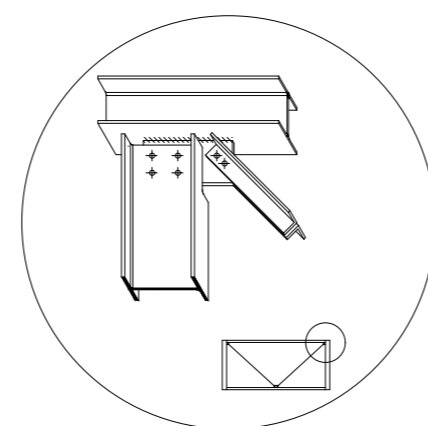
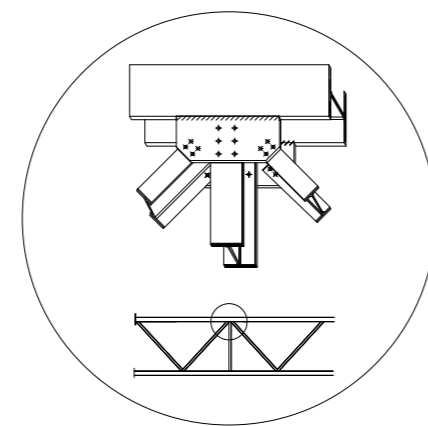
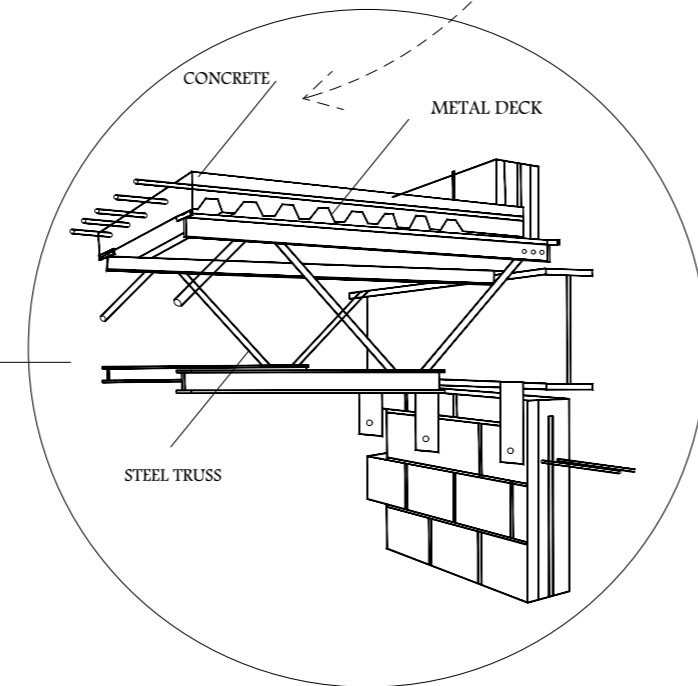
Date : 10/01/2021



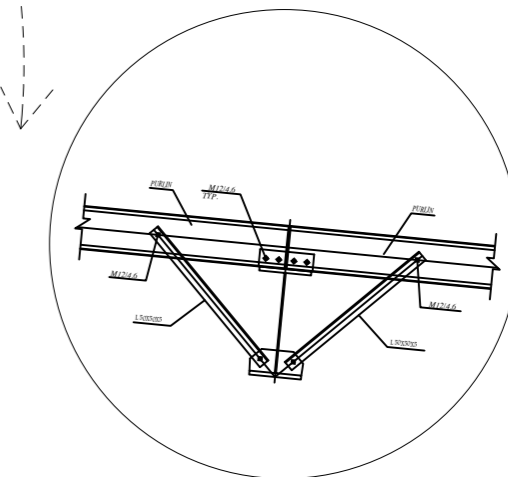
SECTION A-A



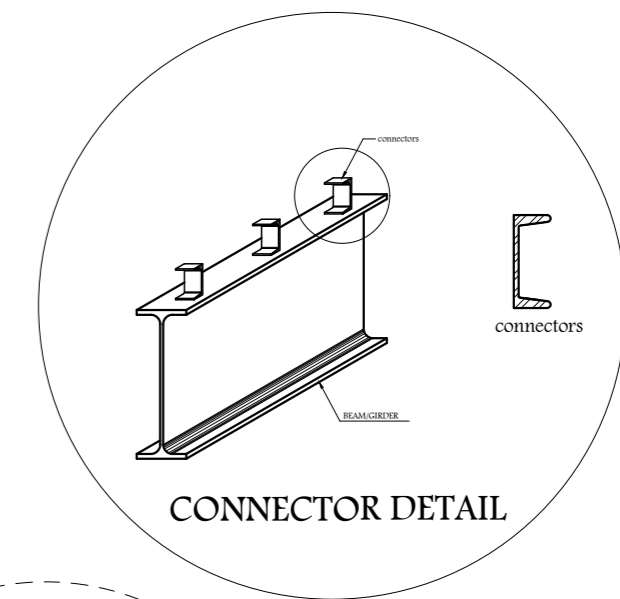
STEEL TRUSS DETAILS



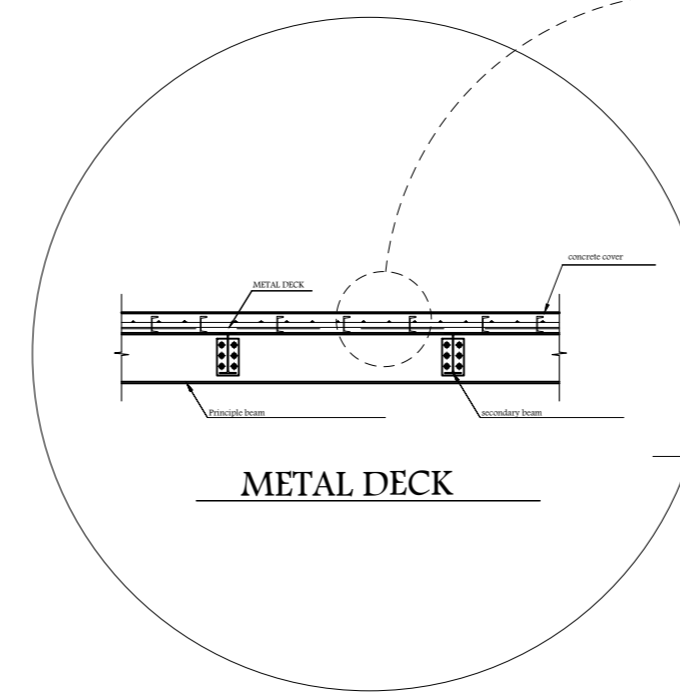
Prestressed Concrete slab detail



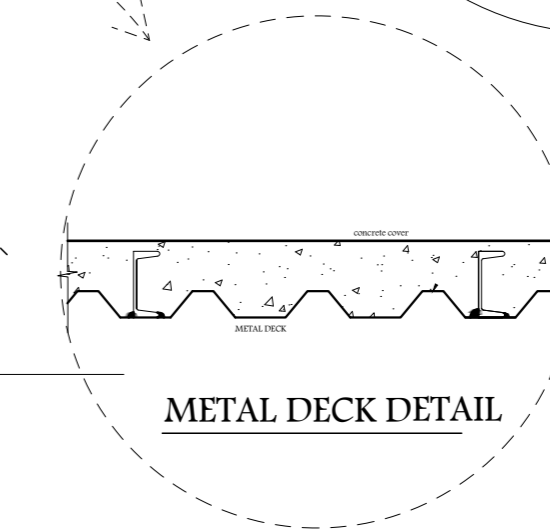
DETAIL OF TRUSS KNEE BRACING WITH PURLINS



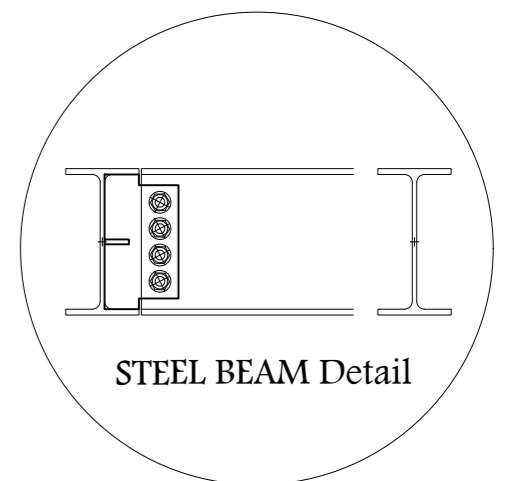
CONNECTOR DETAIL



METAL DECK



METAL DECK DETAIL



STEEL BEAM Detail