



Palestine Polytechnic University
College of Engineering
Civil Engineering Department
Graduation project

Structural Analysis and Design of Al-Samu Hospital

Designed by :

Maisa Al-Atrash 205148

Sojoud Rjoob 185293

Supervisor by :

Eng. Inas Shweki

Submitted to the College of Engineering in partial fulfillment of
the requirements for the Bachelor degree in
Civil Engineering

Hebron - Palestine
January 2024

GENERAL NOTES

NUMBERS OF STORIES

The building columns & Footings are designed for 5 stories

CODE OF PRACTICE

Detailing and workmanship shall be according to ACI provided. Approved equivalent international codes shall be accepted. Design for concrete done according to ACI 318-14, the technical specifications & Jordanian National Building Code.

DIMENSIONS

All Dimensions are in Centimetes unless other wise indicated

REINFORCED CONCRETE

The following types of reinforced concrete shall be employed:

Normal Concrete:

B200 – Slab on Grade

B300 – Slabs & Beams & Stairs &

Foundations & Columns & Walls

REINFORCEMENT

- 1- All reinforcing bars shall be deformed high strength steel bars of Characteristic Strength equal to $f_y=4200$ kg/cm².
- 2 Reinforcement shall be placed as shown on the drawings and in the lengths specified.
- 3 – Clean the bars of oils, grease, or any harmful substances.

CONCRETE PROTECTION

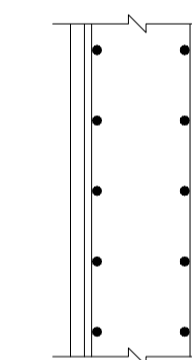
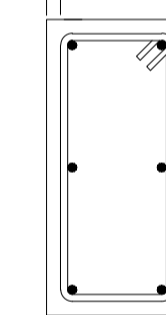
- * All concrete surfaces in contact with fill or ground shall be tanked with waterproofing as specified and approved by engineer.
- * Polyethylene sheet shall be use under all slabs or stairs sit on fill or natural ground.

CONCRETE PROTECTION COVER FOR REINF.

CONCRETE COVER FOR REINFORCEMENT SHALL BE MEASURED FROM THE CONCRETE SURFACE TO THE OUTERMOST SURFACE OF THE STEEL i.e TO THE OUTER EDGE OF STIRRUPS, TIES ENCLOSING MAIN BARS & TO THE OUTERMOST LAYER OF BARS IF MORE THAN ONE LAYER IS USED WITHOUT STIRRUPS OR TIES .

THE FOLLOWING MINIMUM CONCRETE COVER SHALL BE PROVIDED FOR REINFORCEMENT:

CLEAR COVER FOR
BEAMS OR COLUMNS



CLEAR COVER
FOR R.C. WALLS

CAST IN PLACE CONCRETE COVER

1. Footings & Mat Foundations : 75mm
2. Columns : 40mm
3. Shear Walls : 20mm
4. Basement Walls : 40mm
5. Slabs : 20mm
6. Beams : 40mm
7. Stairs : 20mm

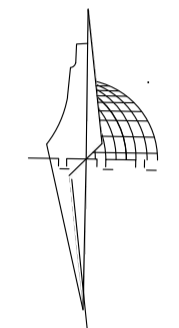


Palestine Polytechnic University

Engineering College

Civil Engineering

N



Supervised by :

Eng. Inas Shweki

Designed by:

Maisa Al-Atrash

205148

Sojoud Rjoob

185293

Note :

Project name:

Al-Samu Hospital

Drawing title :

GENERAL NOTES

Sheet NO. G01

Units ----

Scale NOS

Date January-2024

SYMBOL INDICATION

DWG	- DRAWING	mm	- MILLIMETER
NO.	- NUMBER	MAX	- MAXIMUM
R.C.	- REINFORCED CONCRETE	MIN	- MINIMUM
E.J.	- EXPANSION JOINT	Mpa	- MEGA PASCAL
DIA.	- DIAMETER	NTS	- NOT TO SCALE
F	- FOOTING	D	- OVERALL DEPTH
G.B.	- GRADE BEAM	REINF	- REINFORCEMENT
S.O.G.	- SLAB ON GRADE	G.F	- GROUND FLOOR
W	- WALL	F.F	- FIRST FLOOR
C	- COLUMN	S.F	- SECOND FLOOR
B	- BEAM	T.F	- THIRD FLOOR
S.S	- SOLID SLAB	R.F	- ROOF FLOOR
R.S	- RIBBED SLAB	T.O.C Or C.L	- CONCRETE TOP LEVEL
T.B.	- TIE BEAM	E.W	- EACH WAY
KN	- KILO NEWTON		
m	- METER		

 - CAST IN PLACE CONCRETE

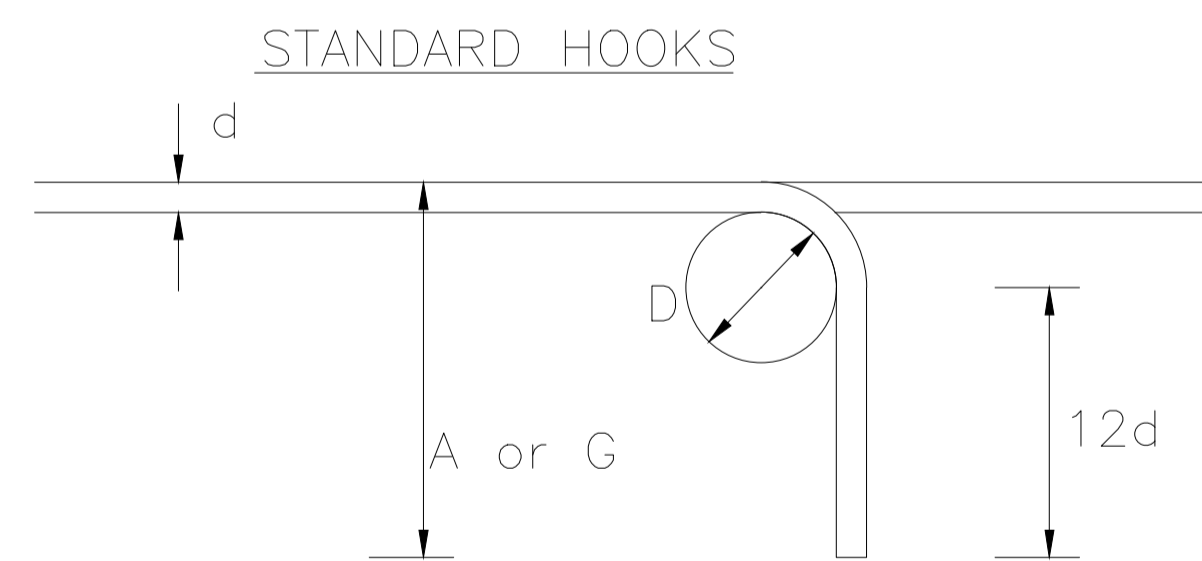
 - SOIL / GROUND SURFACE

 - REINF. CONCRETE

 - SELECTED BACKFILING AS SPECIFIED

 - COMPACTED BASECOARSE AS SPECIFIED

STANDARD REINFORCEMENT DETAILS



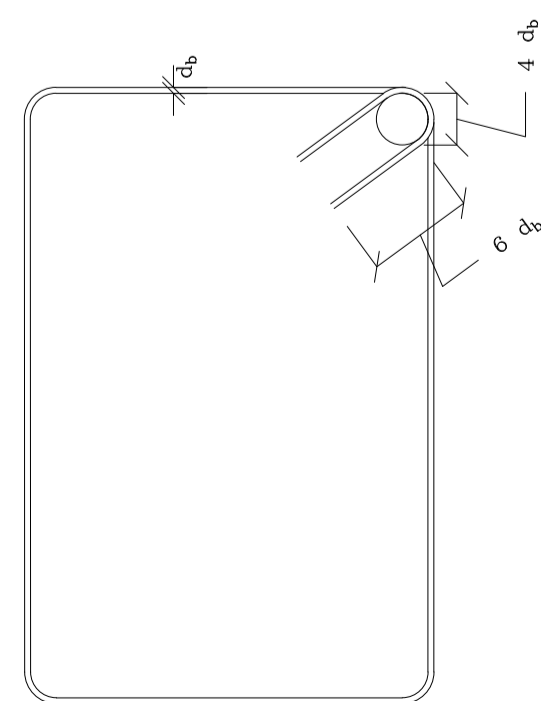
90° HOOKS

D = 6d for d=8 mm. through d=25mm.

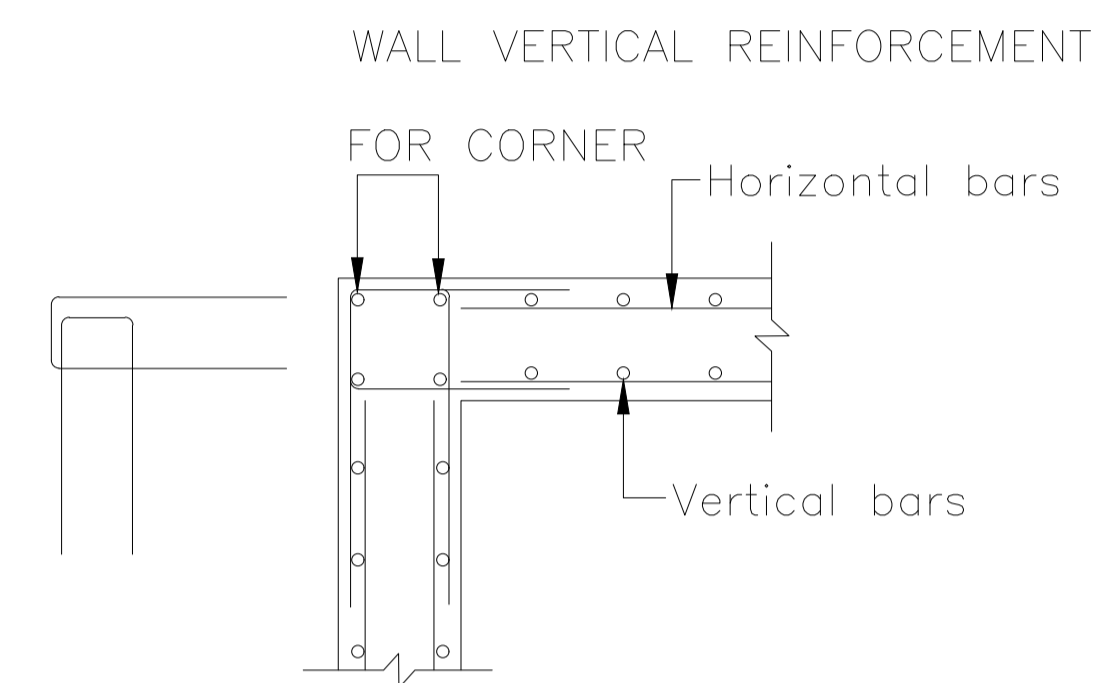
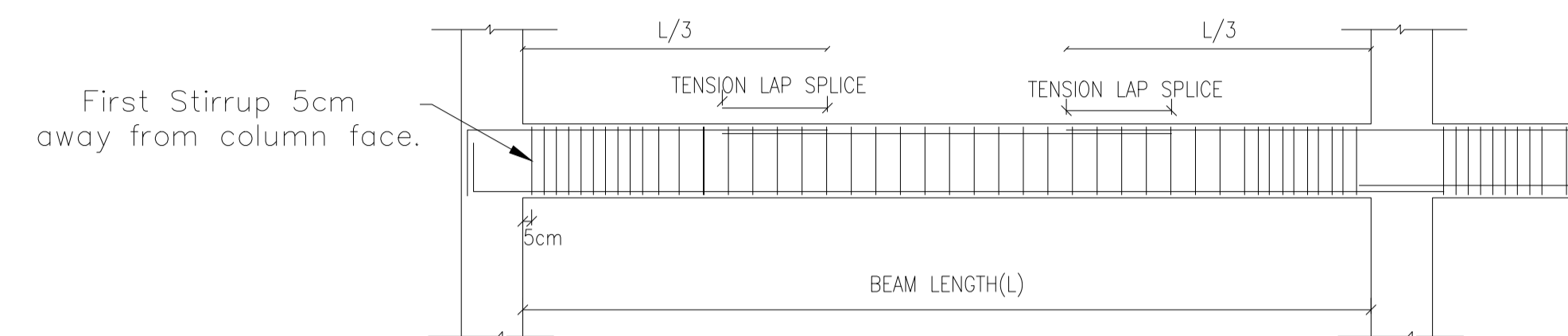
D = 8d for d=28 mm. and d=32mm.

D = Finished bend diameters

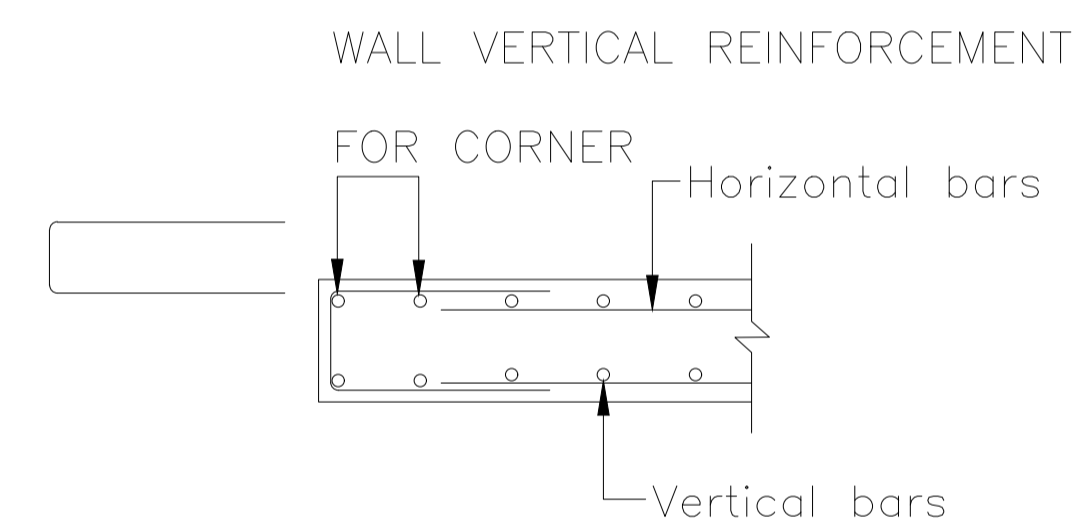
Minimum inside bend diameters and standard hook geometry for stirrups :



TYPICAL LAP SPLICE IN BEAM



CORNER WALL



END WALL

TYPICAL SECTION THROUGH WALL CONNECTIONS

N.T.S

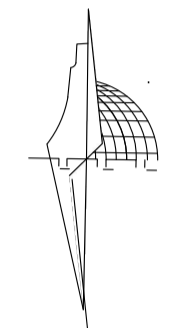


Palestine Polytechnic University

Engineering College

Civil Engineering

N



Supervised by :

Eng. Inas Shweki

Designed by:

Maisa Al-Atrash
205148

Sojoud Rjoob
185293

Note :

Project name:

Al-Samu Hospital

Drawing title :

GENERAL NOTES

Sheet NO. G02

Units ---

Scale NOS

Date January-2024

LIST OF DRAWING

NO. ARCHITECTURAL DRAWING

A00	Site plan
A01	Master plan
A02	Basement Floor furniture
A03	Ground Floor furniture
A04	First Floor furniture
A05	Second Floor furniture
A06	Third Floor furniture
A07	Basement Floor dimension
A08	Ground Floor dimension
A09	First Floor dimension
A10	Second Floor dimension
A11	Third Floor dimension
A12	Elevations (S&N)
A13	Elevations (W&E)
A14	Sections

NO. STRUCTURAL DRAWINGS

G01	GENERAL NOTES
G02	GENERAL NOTES
G03	LIST OF DRAWINGS
S01	COLIMNS & SHEAR WALLS LAYOUT
S02	FOUNDATIONS LAYOUT PLAN
S03-A	Slab On Ground
S03-B	Slab On Ground (RAMP SLAB DETAILS)
S04-A	FOOTINGS DETAILS
S04-B	FOOTINGS DETAILS
S04-C	FOOTINGS DETAILS
S04-D	FOOTINGS DETAILS
S04-E	FOOTINGS DETAILS
S04-F	FOOTINGS DETAILS
S04-G	FOOTINGS DETAILS
S04-H	FOOTINGS DETAILS
S05-A	COLUMNS DETAILS (TABLE OF REINF.)
S05-B	COLUMNS DETAILS
S05-C	COLUMNS DETAILS
S05-D	COLUMNS DETAILS
S05-E	COLUMNS DETAILS
S05-F	COLUMNS DETAILS
S06-A	WALLS DETAILS (SHEAR WALLS)
S08-B	WALLS DETAILS (SHEAR WALLS)
S08-C	WALLS DETAILS (SHEAR WALLS)
S08-D	WALLS DETAILS (SHEAR WALLS)
S08-E	WALLS DETAILS (BASEMENT WALL)

S07-A	Basement Floor Slab
S07-B	Ground Floor Slab
S07-C	First Floor Slab
S07-D	Second Floor Slab
S07-E	Third Floor Slab
S07-F	Roof Floor Slab
S08-A	BEAMS DETAIS
S08-B	BEAMS DETAIS
S08-C	BEAMS DETAIS
S08-D	BEAMS DETAIS
S08-E	BEAMS DETAIS
S08-F	BEAMS DETAIS
S08-G	BEAMS DETAIS
S08-H	BEAMS DETAIS
S08-I	BEAMS DETAIS
S08-J	BEAMS DETAIS
S08-K	BEAMS DETAIS
S08-L	BEAMS DETAIS
S08-M	BEAMS DETAIS
S08-N	BEAMS DETAIS
S08-O	BEAMS DETAIS
S08-P	BEAMS DETAIS
S08-Q	BEAMS DETAIS (For Basement Floor)
S08-R	BEAMS DETAIS (For Basement Floor)
S08-S	BEAMS DETAIS (For Basement Floor)
S08-T	BEAMS DETAIS (For Basement Floor)
S09-A	STAIRCASE DETAILS
S09-B	STAIRCASE DETAILS

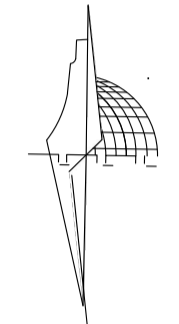


Palestine Polytechnic University

Engineering College

Civil Engineering

N



Supervised by :

Eng. Inas Shweki

Designed by:

Maisa Al-Atrash
205148

Sojoud Rjoob
185293

Note :

Project name:

Al-Samu Hospital

Drawing title :

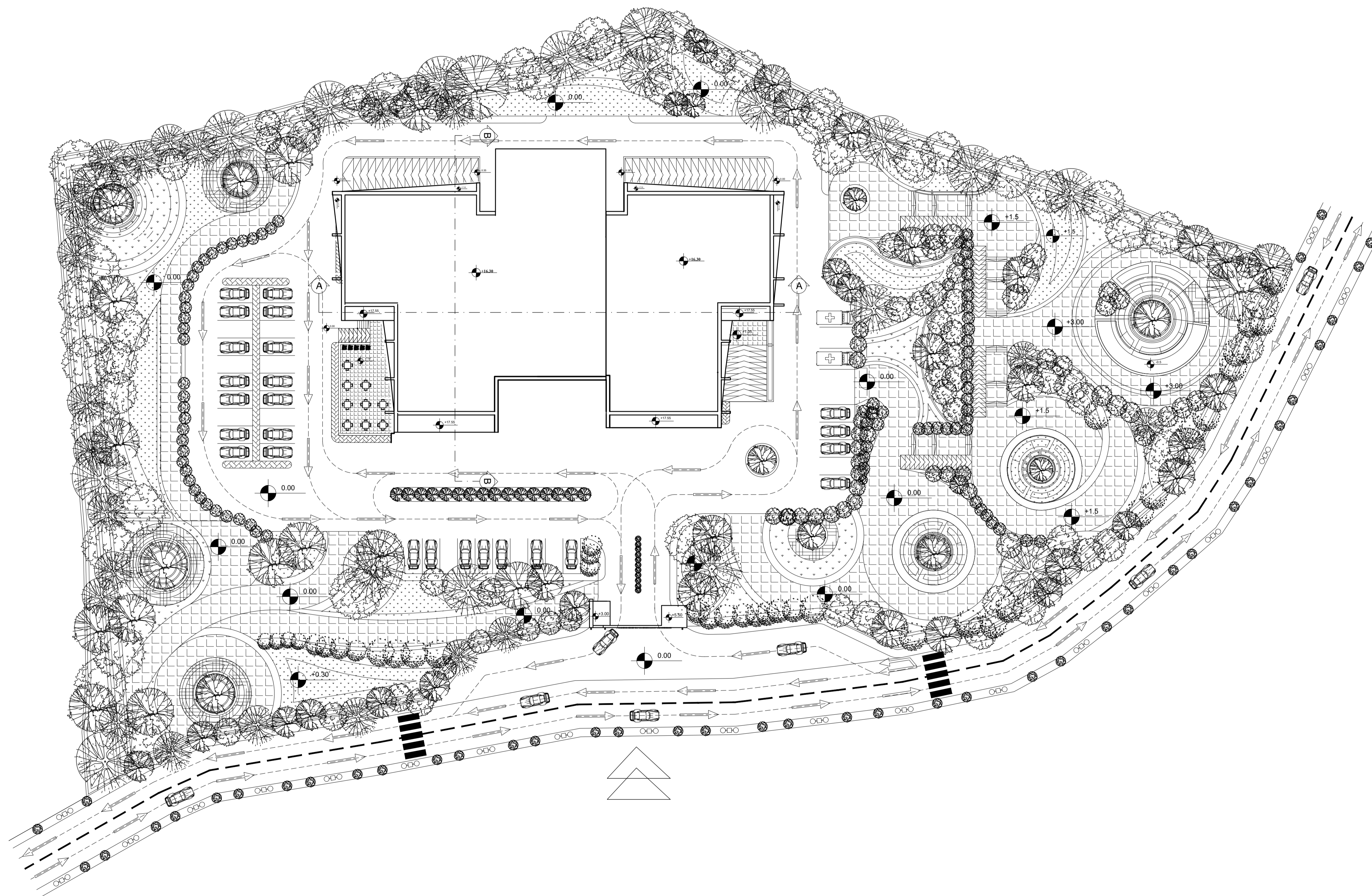
LIST OF DRAWINGS

Sheet NO. G03

Units ---

Scale NOS

Date January-2024

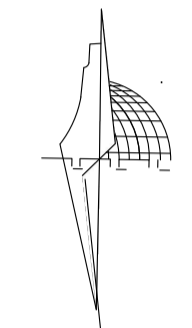


Palestine Polytechnic University

Engineering College

Civil Engineering

N



Supervised by :

Eng. Inas Shweki

Designed by:

Maisa Al-Atrash
205148

Sojoud Rjoob
185293

Note :

Project name:

Al-Samu Hospital

Drawing title :

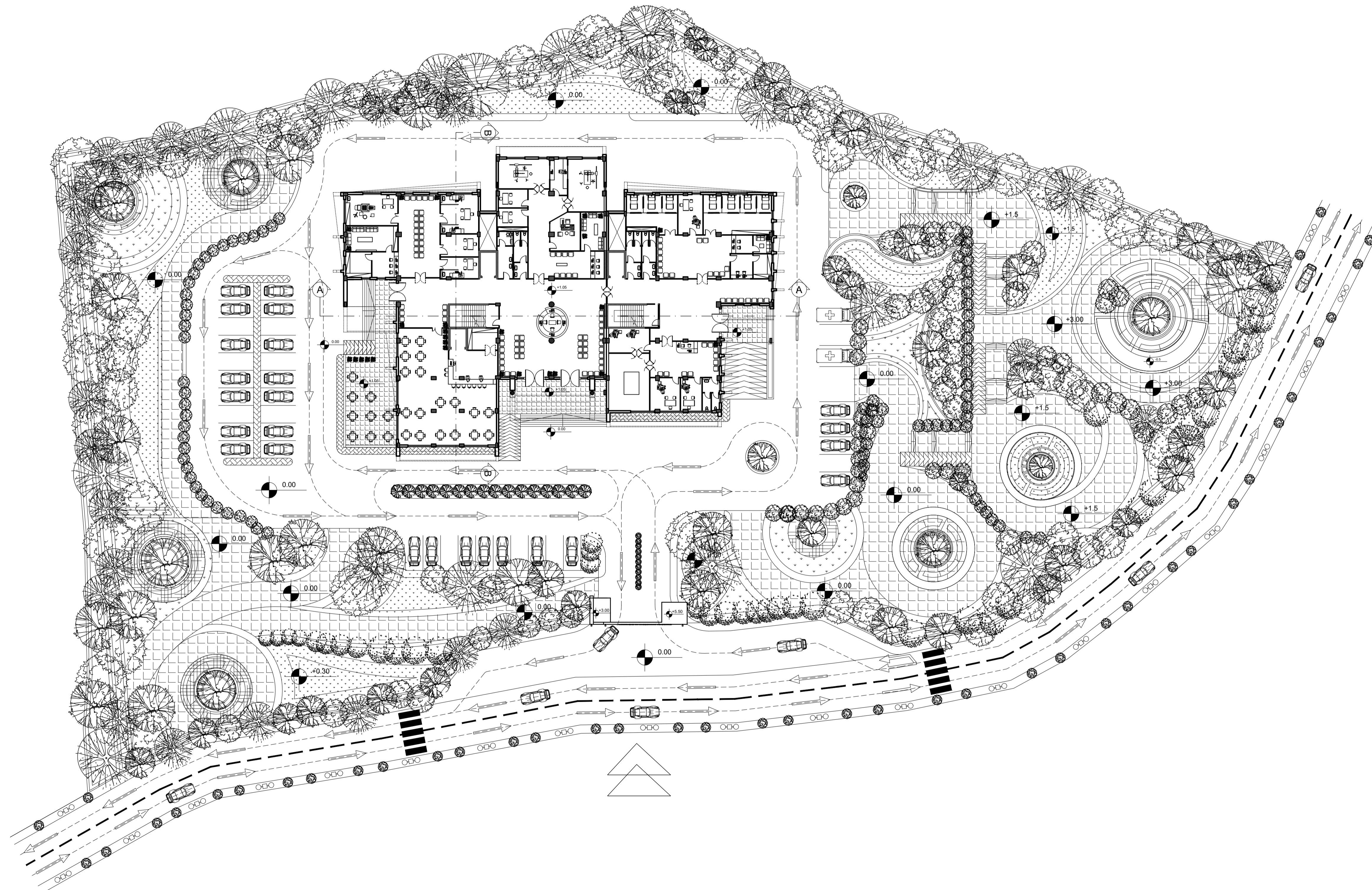
Site plan

Sheet NO. **A00**

Units m

Scale 1:300

Date January-2024

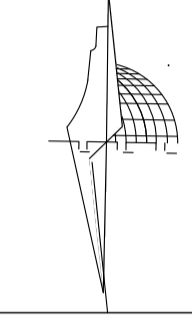


Palestine Polytechnic University

Engineering College

Civil Engineering

N



Supervised by :

Eng. Inas Shweki

Designed by:

Maisa Al-Atrash
205148

Sojoud Rjoob
185293

Note :

Project name:

Al-Samu Hospital

Drawing title :

Master plan

Sheet NO. A01

Units m

Scale 1:300

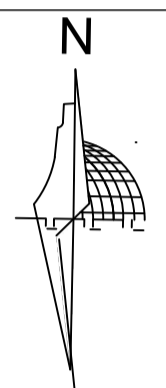
Date January-2024



Palestine Polytechnic University

Engineering College

Civil Engineering



Supervised by :

Eng. Inas Shweki

Designed by:

Maisa Al-Atrash
205148

Sojoud Rjoob
185293

Note :

Project name:

Al-Samu Hospital

Drawing title :

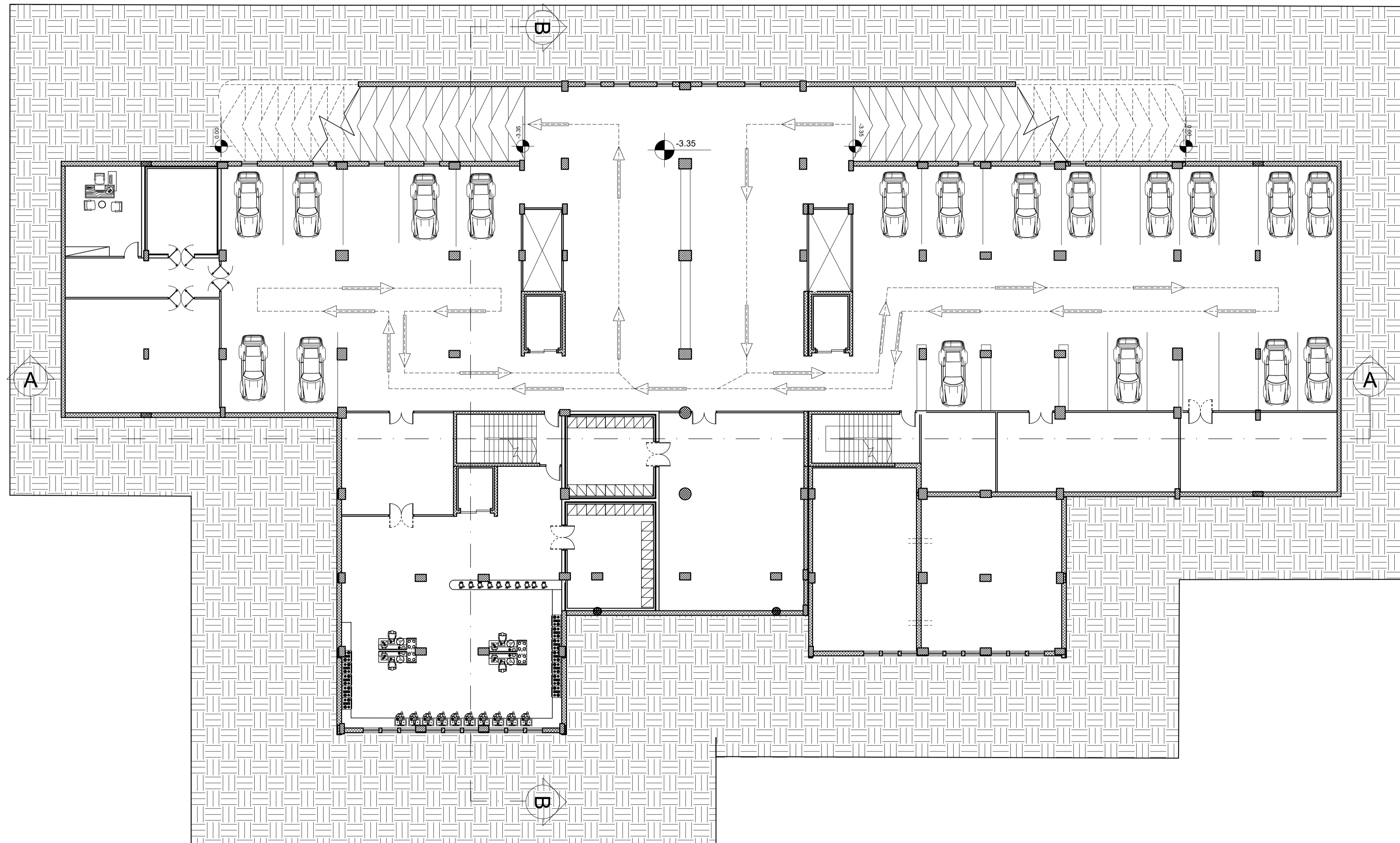
Basement Floor
furniture

Sheet NO. **A02**

Units cm

Scale 1:150

Date January-2024

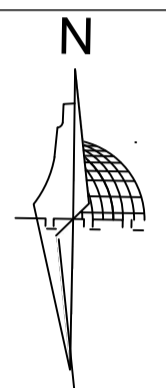




Palestine Polytechnic University

Engineering College

Civil Engineering



Supervised by :

Eng. Inas Shweki

Designed by:

Maisa Al-Atrash
205148

Sojoud Rjoob
185293

Note :

Project name:

Al-Samu Hospital

Drawing title :

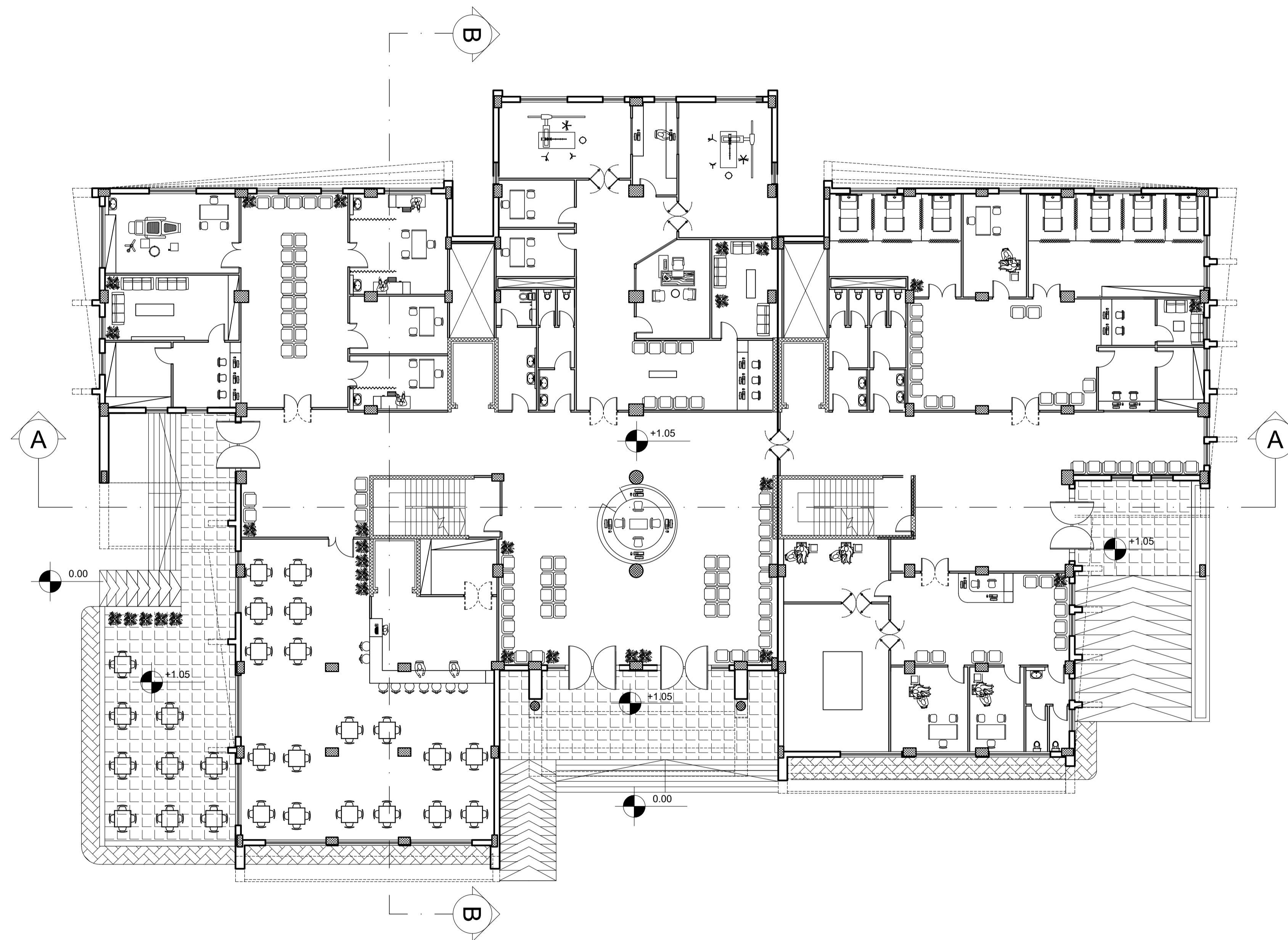
Ground Floor
furniture

Sheet NO. **A03**

Units cm

Scale 1:150

Date January-2024

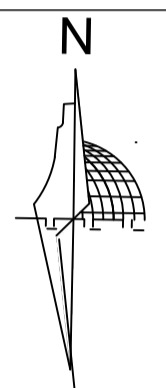




Palestine Polytechnic University

Engineering College

Civil Engineering



Supervised by :

Eng. Inas Shweki

Designed by:

Maisa Al-Atrash
205148

Sojoud Rjoob
185293

Note :

Project name:

Al-Samu Hospital

Drawing title :

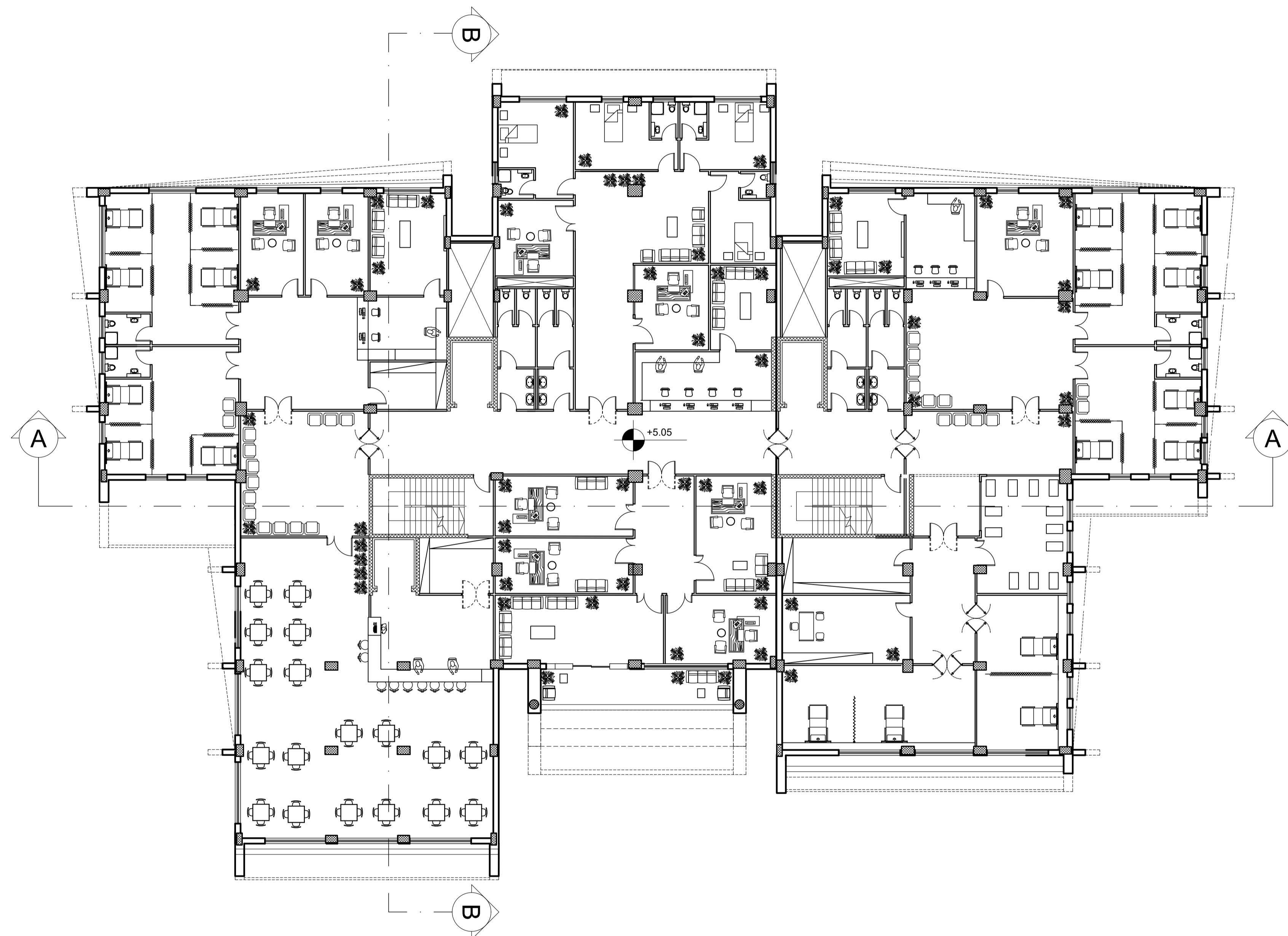
**First Floor
furniture**

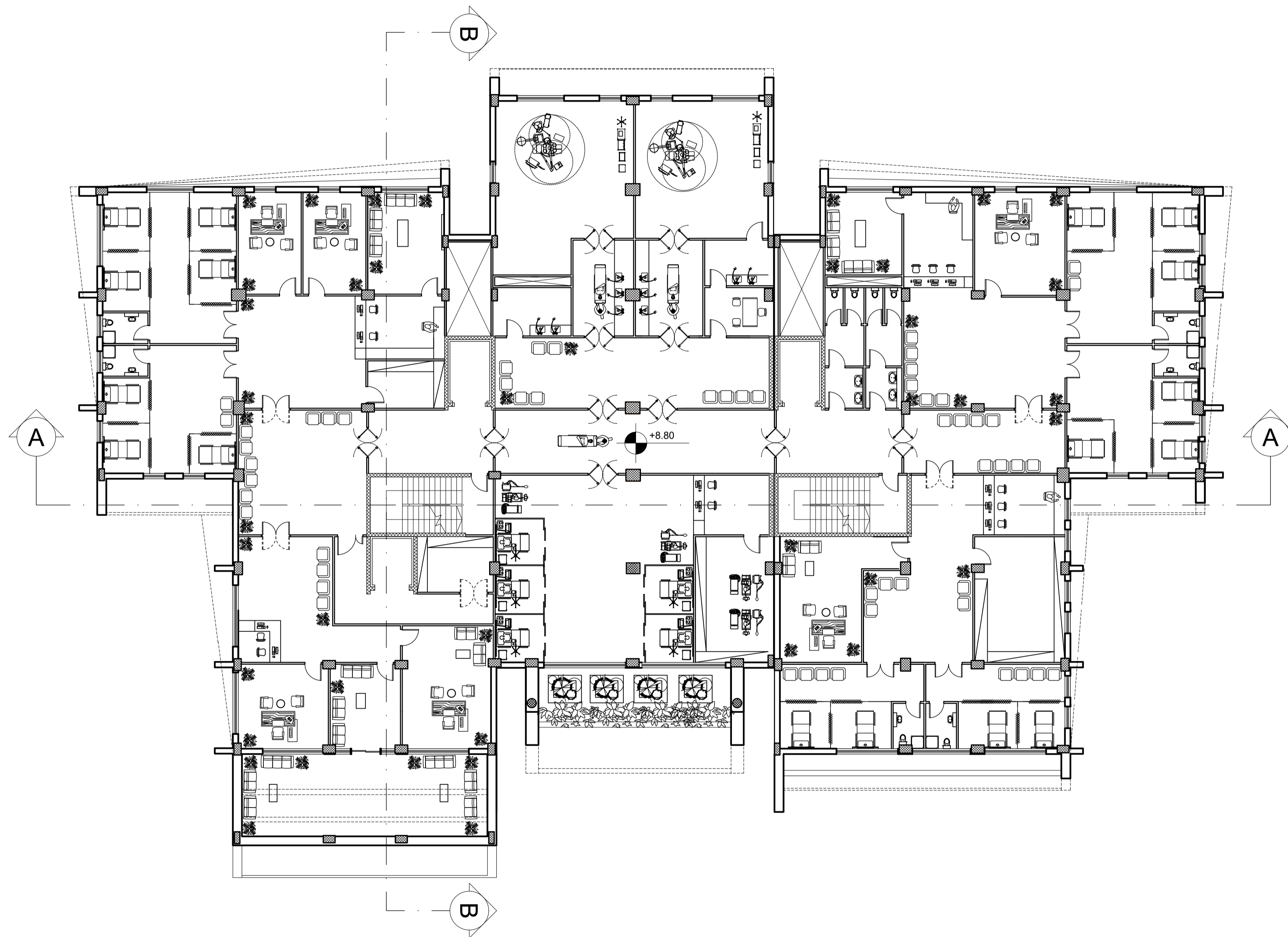
Sheet NO. **A04**

Units cm

Scale 1:150

Date January-2024

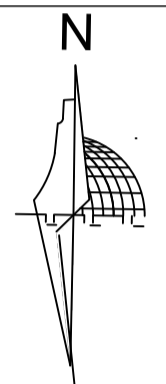




Palestine Polytechnic University

Engineering College

Civil Engineering



Supervised by :

Eng. Inas Shweki

Designed by:

Maisa Al-Atrash
205148

Sojoud Rjoob
185293

Note :

Project name:

Al-Samu Hospital

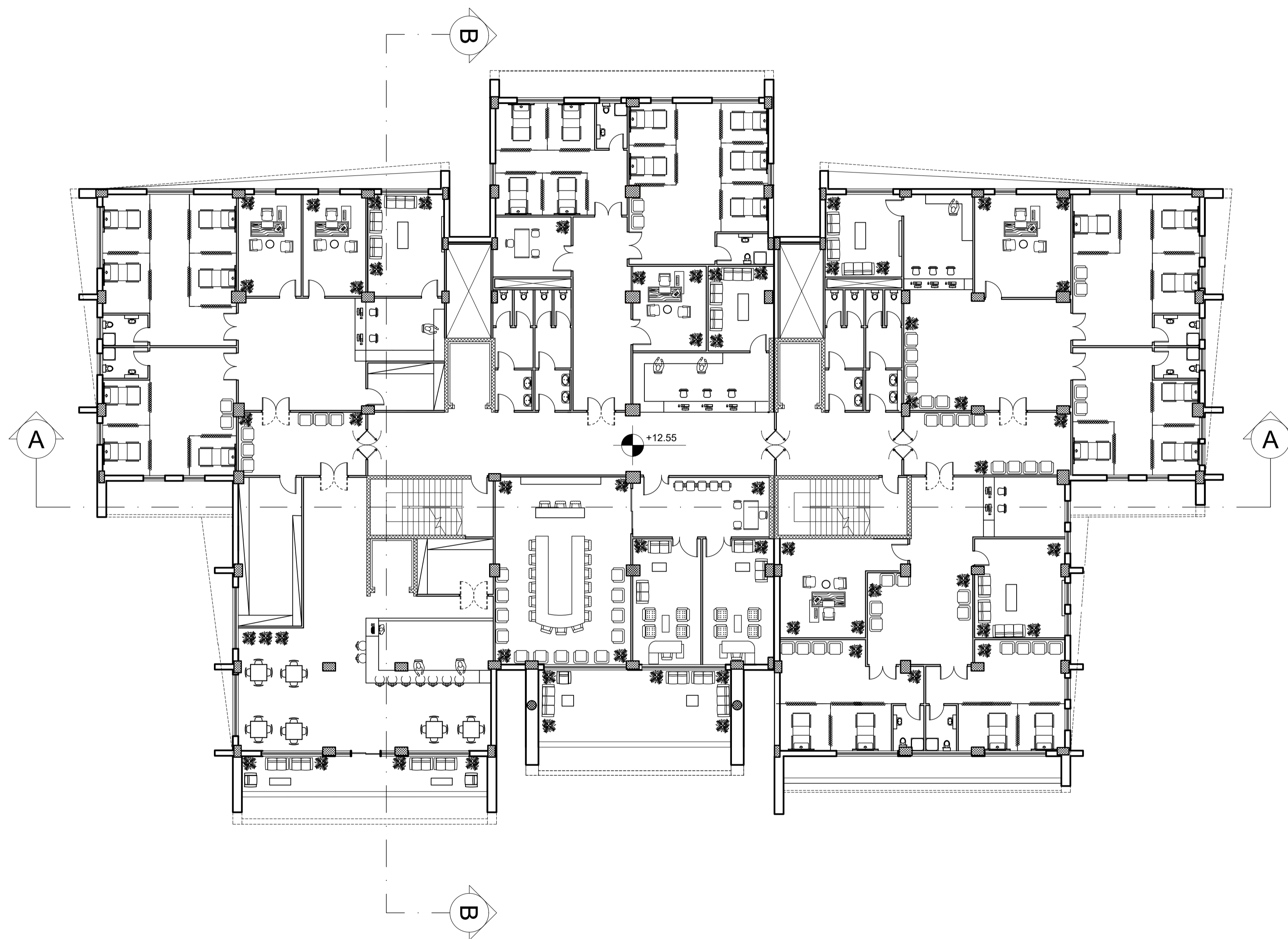
Drawing title :
Second Floor
furniture

Sheet NO. **A05**

Units cm

Scale 1:150

Date January-2024



Palestine Polytechnic University

Engineering College

Civil Engineering

N



Supervised by :

Eng. Inas Shweki

Designed by:

Maisa Al-Atrash
205148

Sojoud Rjoob
185293

Note :

Project name:

Al-Samu Hospital

Drawing title :

**Third Floor
furniture**

Sheet NO. **A06**

Units cm

Scale 1:150

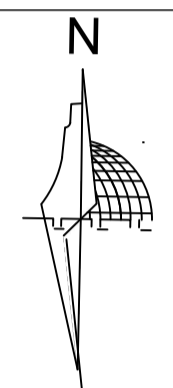
Date January-2024



Palestine Polytechnic University

Engineering College

Civil Engineering



Supervised by :

Eng. Inas Shweki

Designed by:

Maisa Al-Atrash
205148

Sojoud Rjoob
185293

Note :

Project name:

Al-Samu Hospital

Drawing title :

Basement Floor
dimension

Sheet NO. **A07**

Units cm

Scale 1:150

Date January-2024

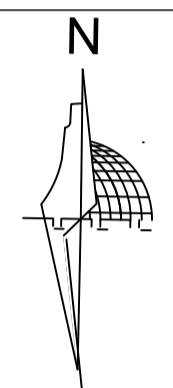




Palestine Polytechnic University

Engineering College

Civil Engineering



Supervised by :

Eng. Inas Shweki

Designed by:

Maisa Al-Atrash
205148

Sojoud Rjoob
185293

Note :

Project name:

Al-Samu Hospital

Drawing title :

Ground Floor
dimention

Sheet NO. **A08**

Units cm

Scale 1:150

Date January-2024

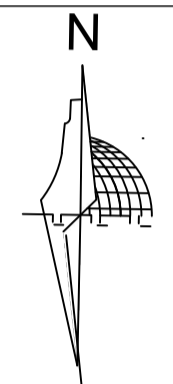




Palestine Polytechnic University

Engineering College

Civil Engineering



Supervised by :

Eng. Inas Shweki

Designed by:

Maisa Al-Atrash
205148

Sojoud Rjoob
185293

Note :

Project name:

Al-Samu Hospital

Drawing title :

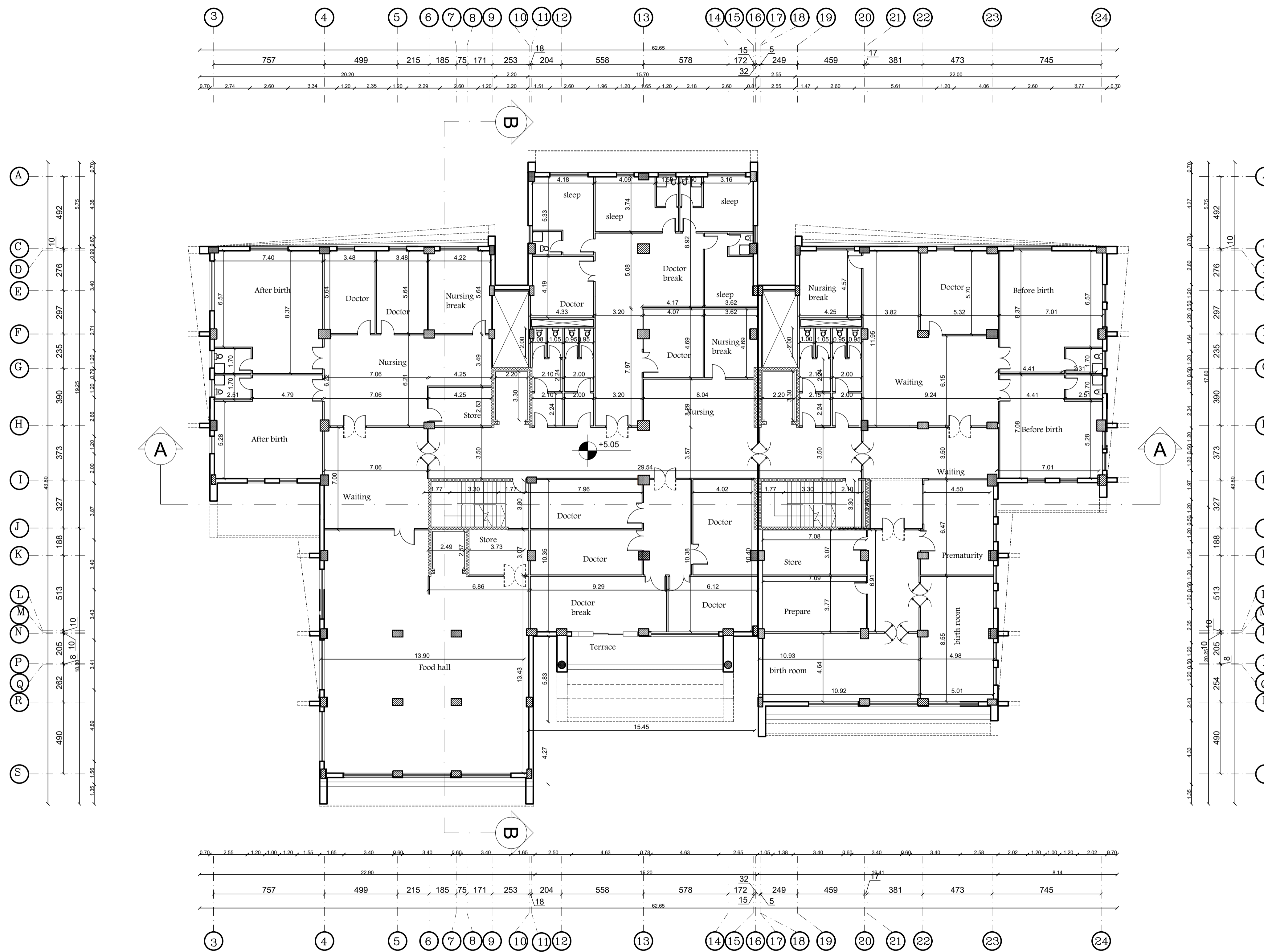
First Floor
dimention

Sheet NO. **A09**

Units cm

Scale 1:150

Date January-2024

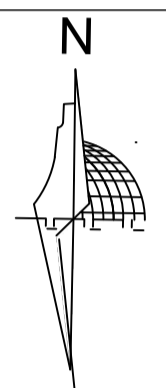




Palestine Polytechnic University

Engineering College

Civil Engineering



Supervised by :

Eng. Inas Shweki

Designed by:

Maisa Al-Atrash
205148

Sojoud Rjoob
185293

Note :

Project name:

Al-Samu Hospital

Drawing title :

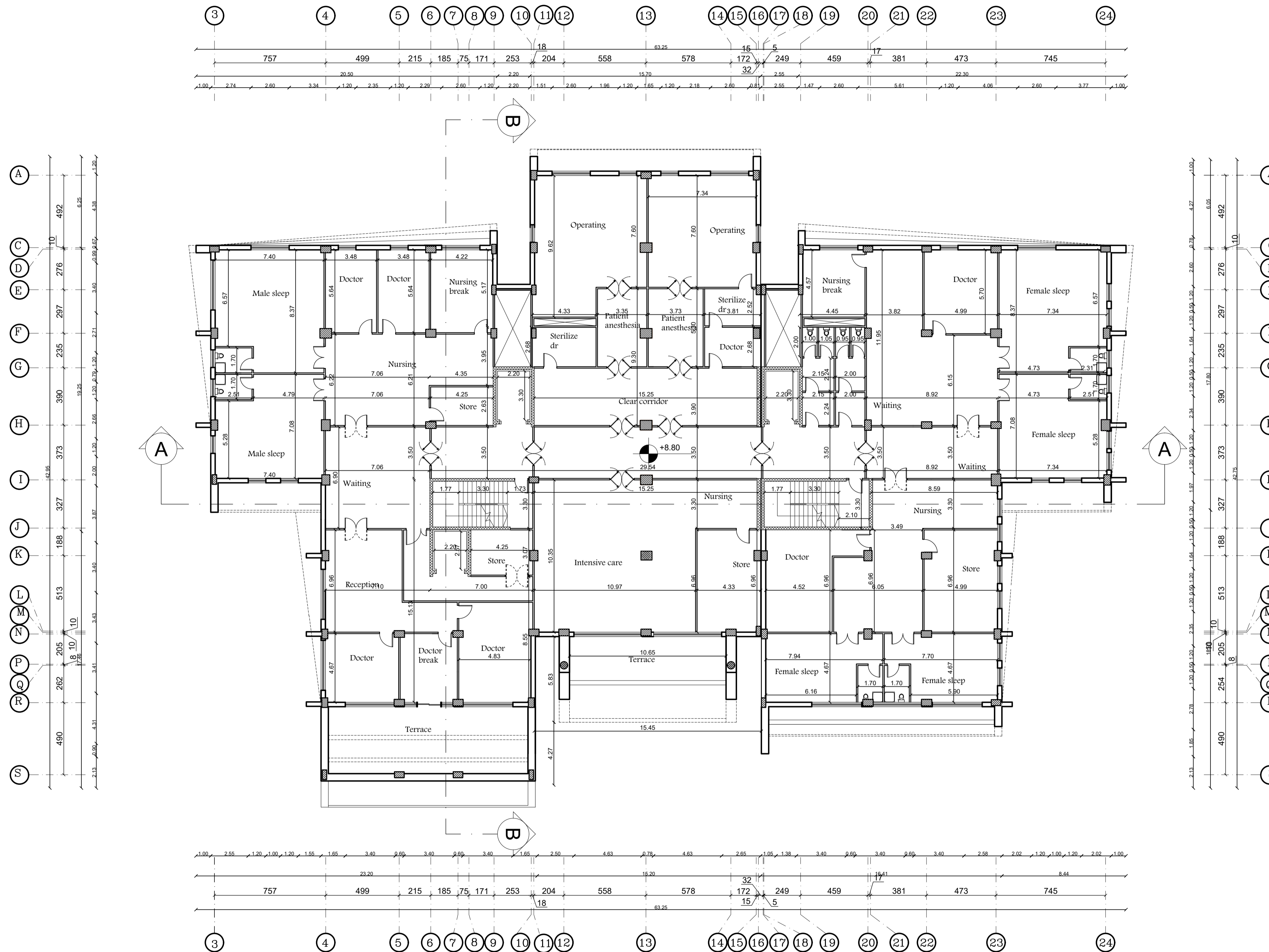
Second Floor
dimention

Sheet NO. **A10**

Units cm

Scale 1:150

Date January-2024

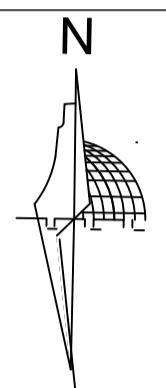




Palestine Polytechnic University

Engineering College

Civil Engineering



Supervised by :

Eng. Inas Shweki

Designed by:

Maisa Al-Atrash
205148

Sojoud Rjoob
185293

Note :

Project name:

Al-Samu Hospital

Drawing title :

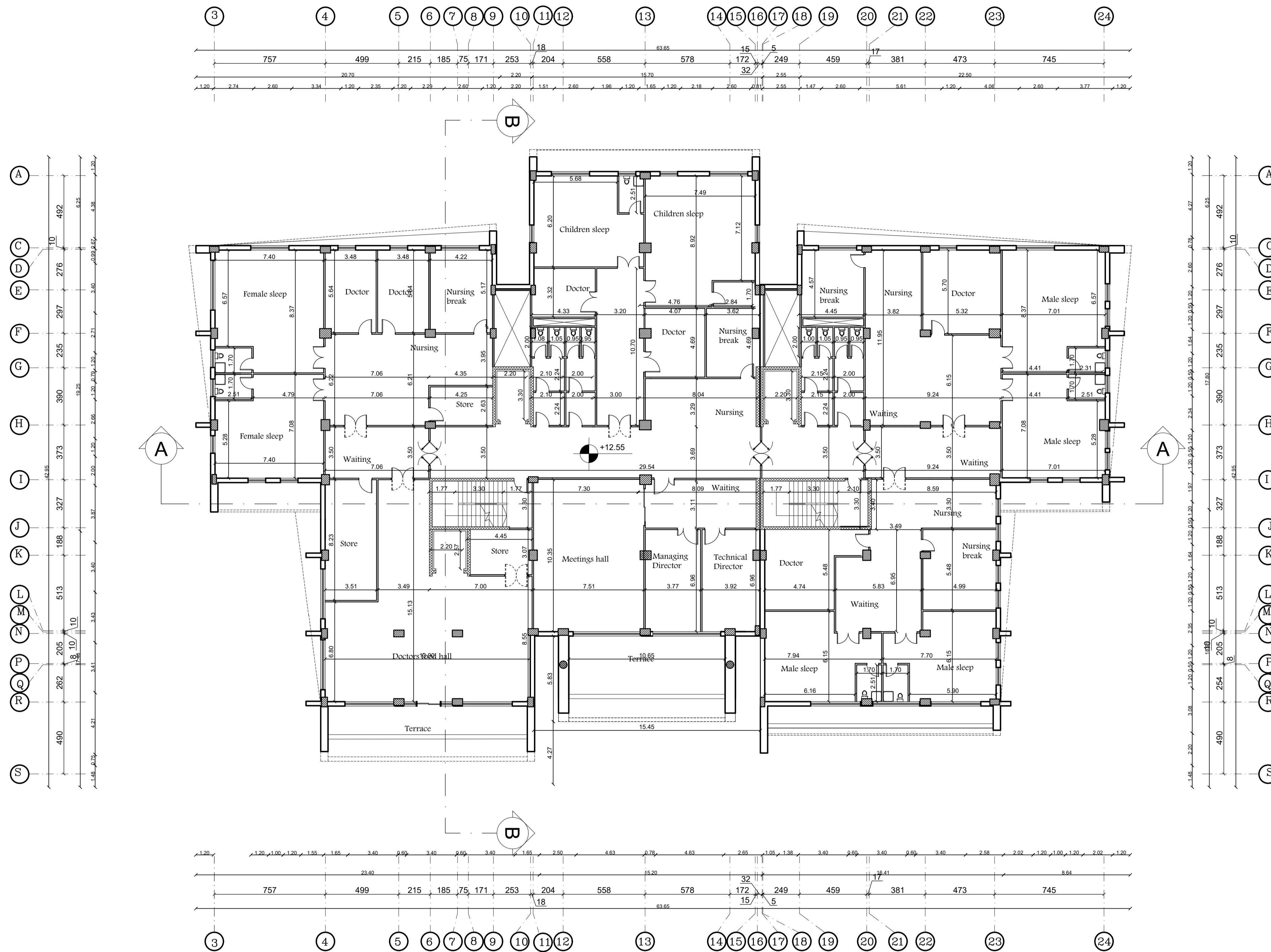
Third Floor
dimention

Sheet NO. **A11**

Units cm

Scale 1:150

Date January-2024



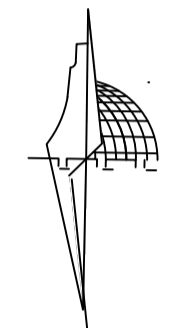


Palestine Polytechnic University

Engineering College

Civil Engineering

N



Supervised by :

Eng. Inas Shweki

Designed by:

Maisa Al-Atrash
205148

Sojoud Rjoob
185293

Note :

Project name:

Al-Samu Hospital

Drawing title :

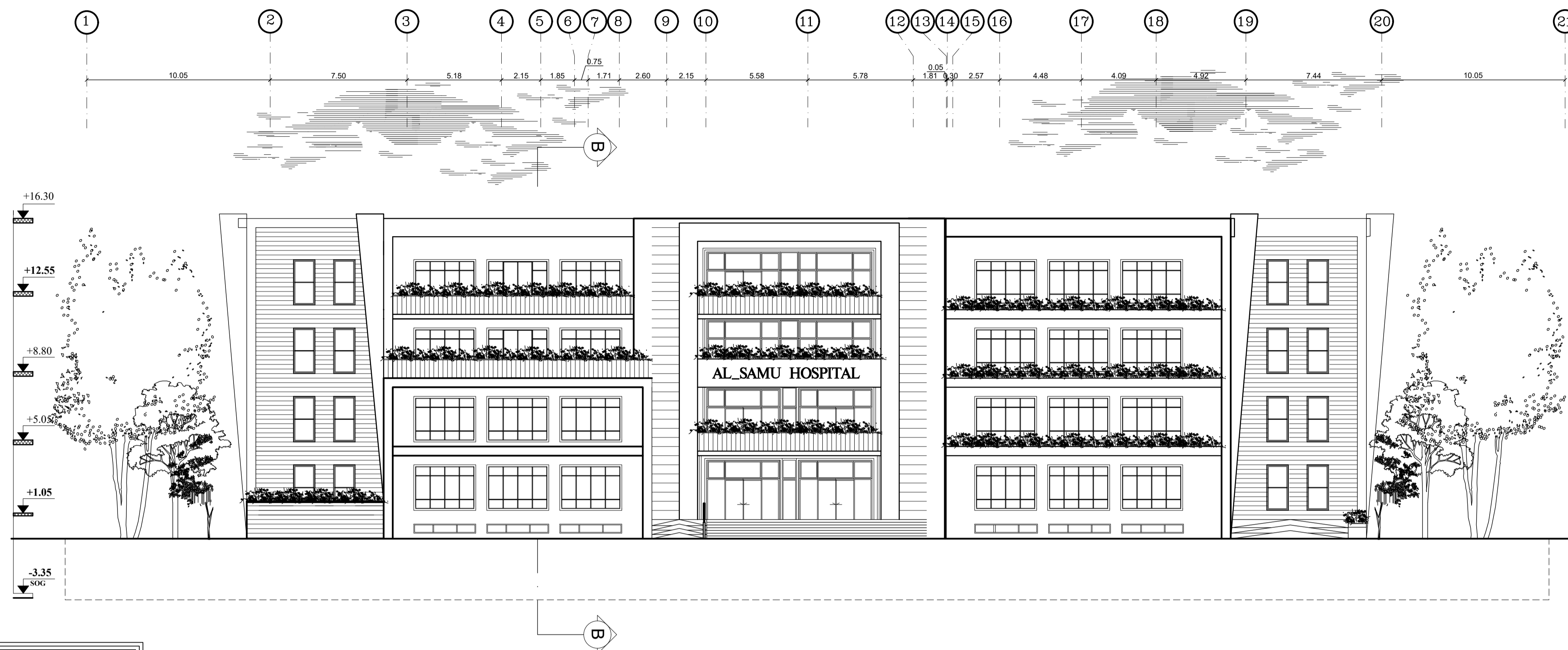
Elevations (S&N)

Sheet NO. **A12**

Units cm

Scale 1:150

Date January-2024



South Elevation

Scale 1:100



North Elevation

Scale 1:100

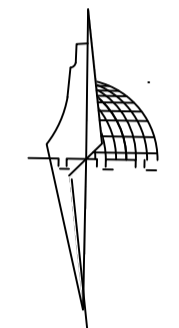


Palestine Polytechnic University

Engineering College

Civil Engineering

N



Supervised by :

Eng. Inas Shweki

Designed by:

Maisa Al-Atrash
205148

Sojoud Rjoob
185293

Note :

Project name:

Al-Samu Hospital

Drawing title :

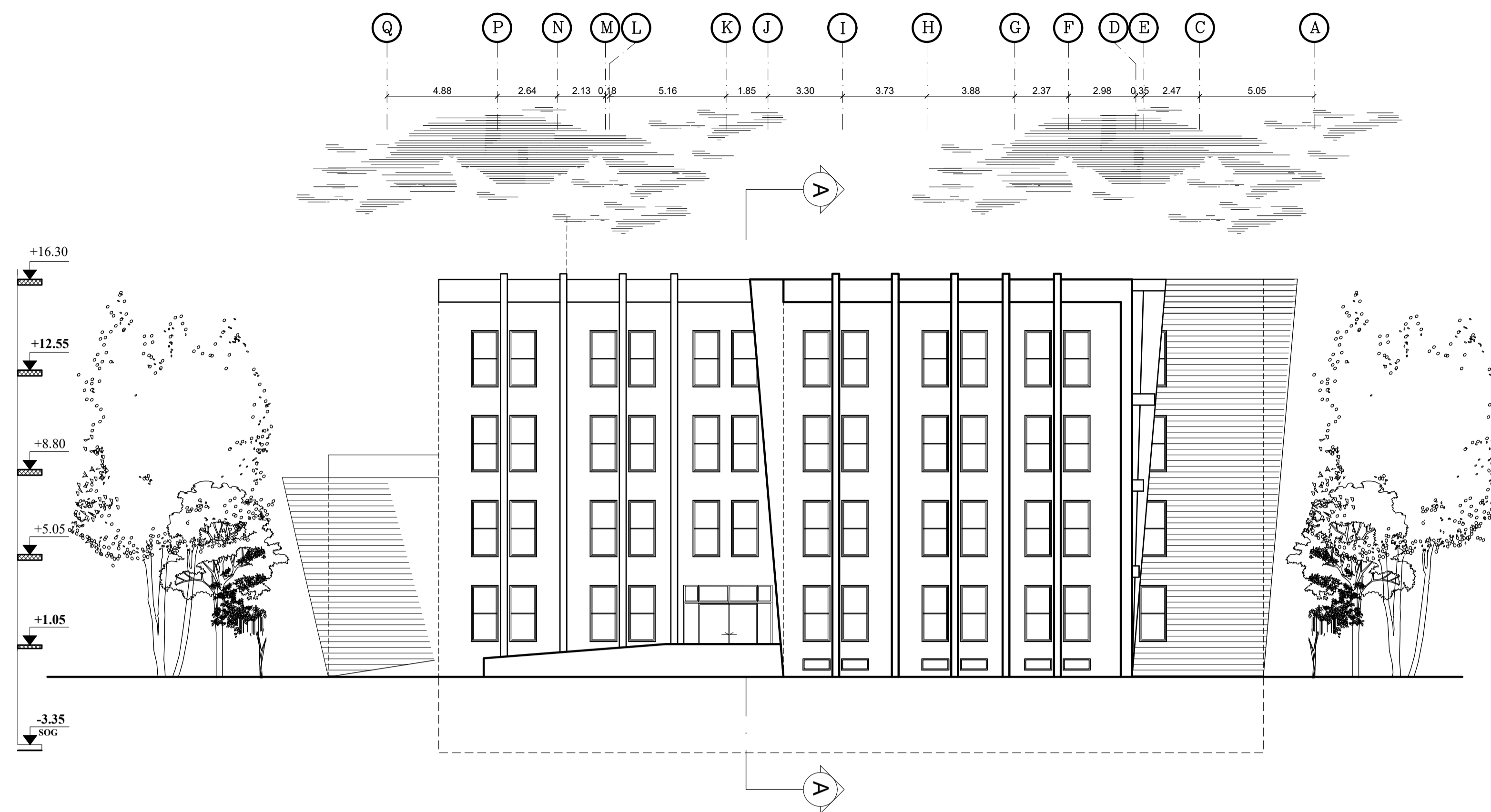
Elevations (W&E)

Sheet NO. **A13**

Units cm

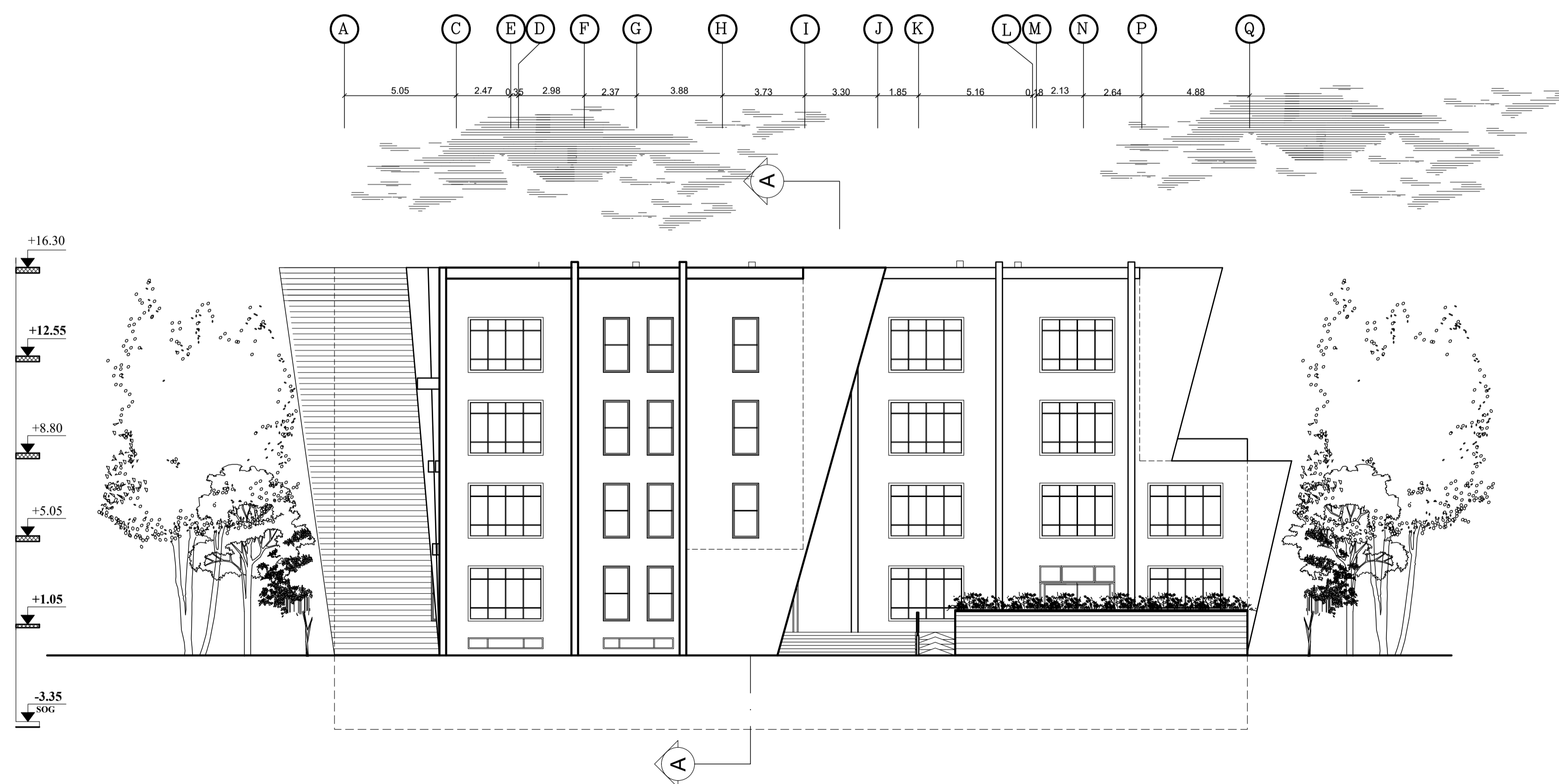
Scale 1:150

Date January-2024



West Elevation

Scale 1:100



East Elevation

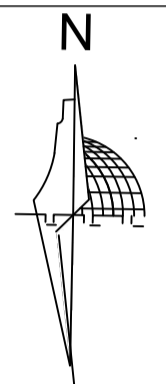
Scale 1:100



Palestine Polytechnic University

Engineering College

Civil Engineering



Supervised by :

Eng. Inas Shweki

Designed by:

Maisa Al-Atrash
205148

Sojoud Rjoob
185293

Note :

Project name:

Al-Samu Hospital

Drawing title :

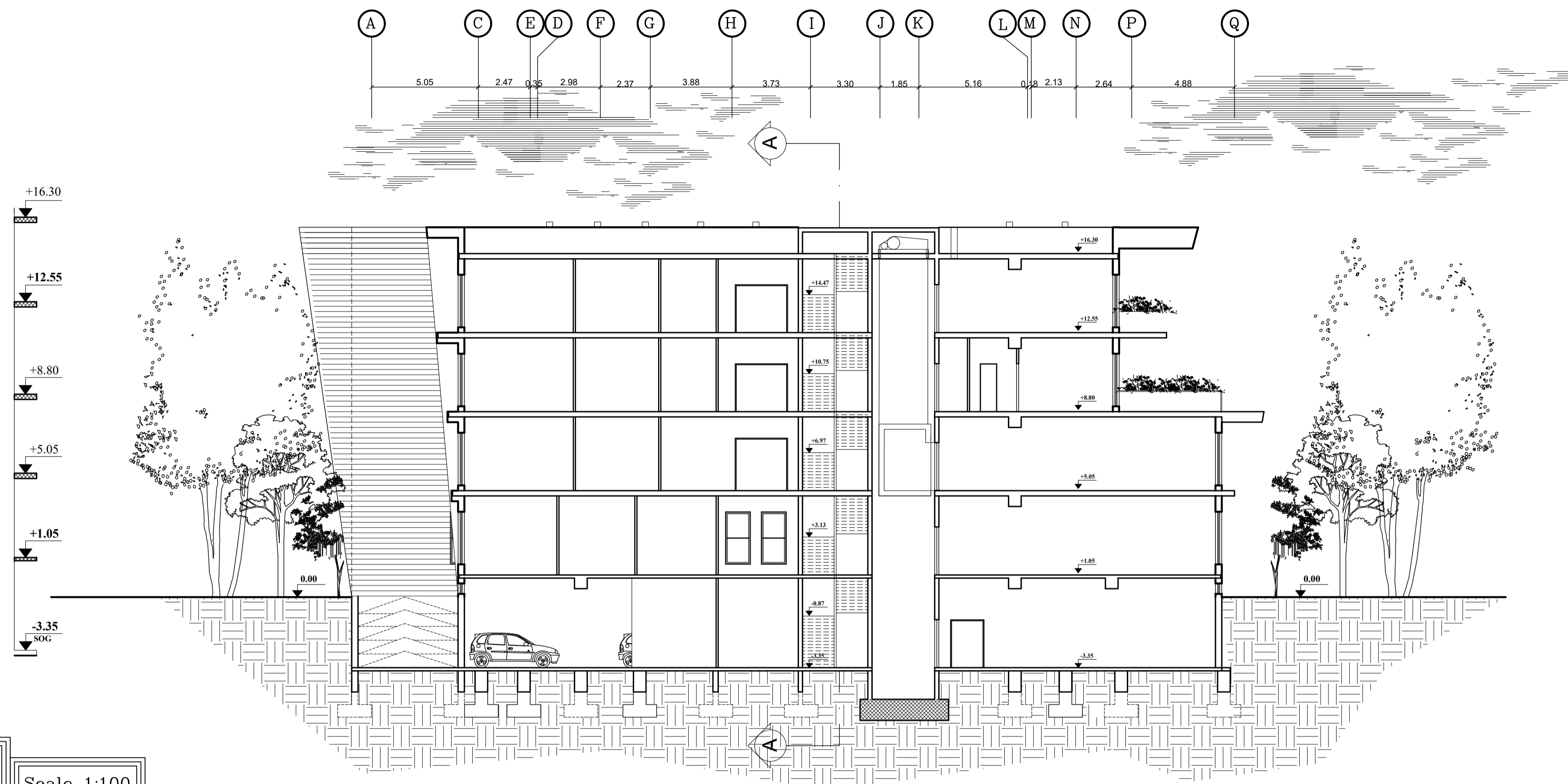
Sections

Sheet NO. **A14**

Units cm

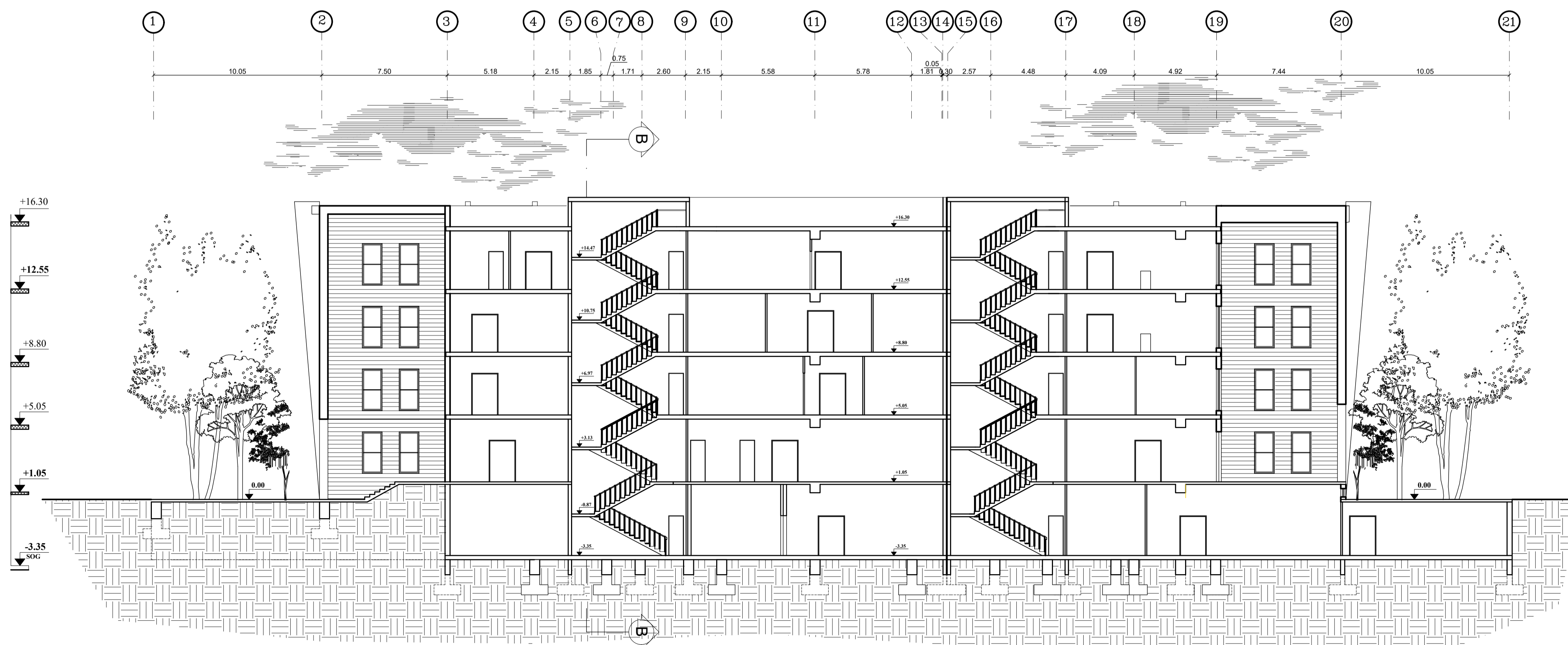
Scale 1:150

Date January-2024



Section (B-B)

Scale 1:100



Section (A-A)

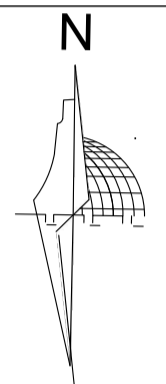
Scale 1:100



Palestine Polytechnic University

Engineering College

Civil Engineering



Supervised by :

Eng. Inas Shweki

Designed by:

Maisa Al-Atrash
205148

Sojoud Rjoob
185293

Note :

Project name:

Al-Samu Hospital

Drawing title :

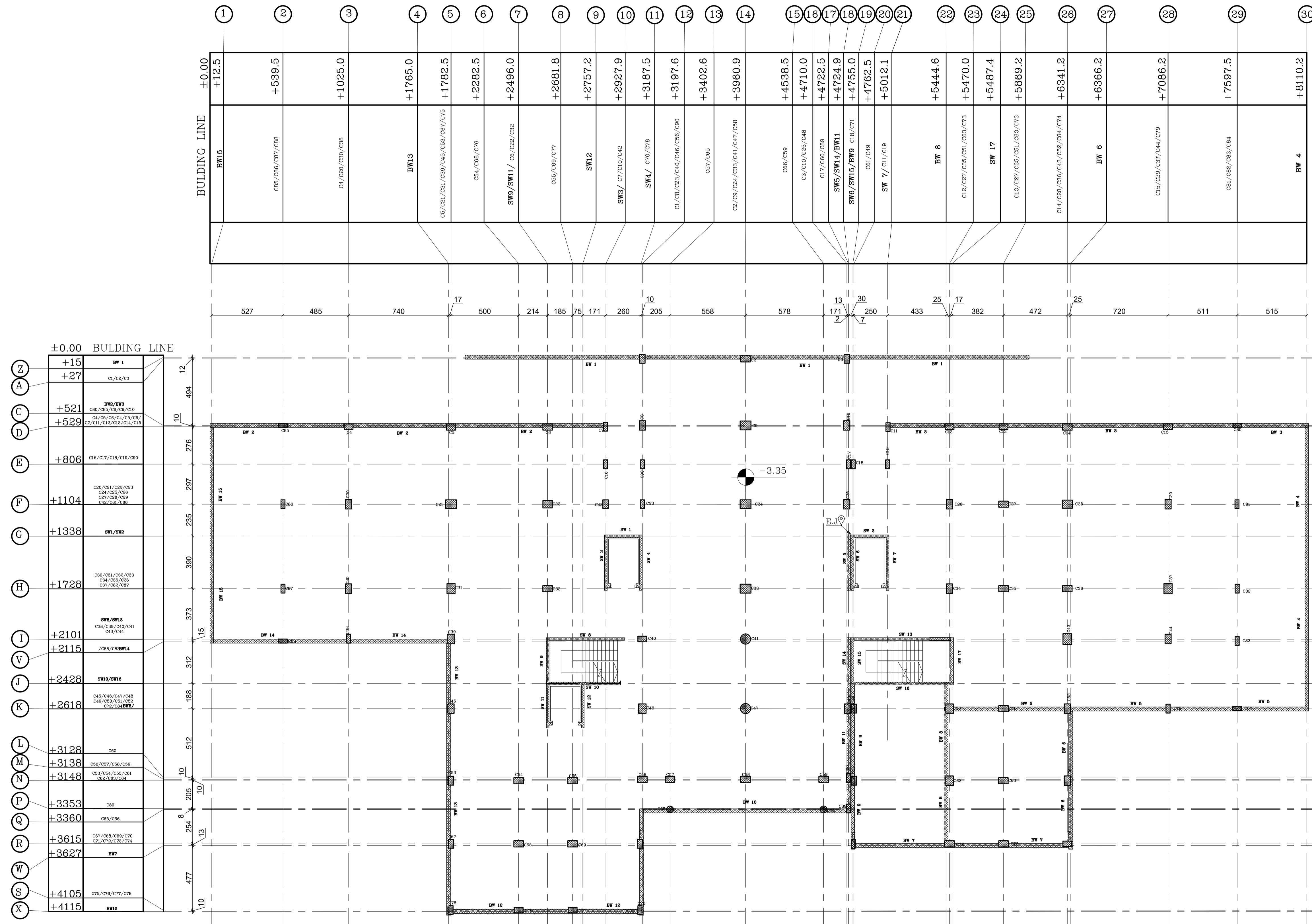
COLIMNS & SHEAR
WALLS LAYOUT

Sheet No. S01

Units cm

Scale 1:150

Date January-2024



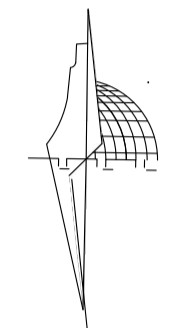


Palestine Polytechnic University

Engineering College

Civil Engineering

N



Supervised by :

Eng. Inas Shweki

Designed by:

Maisa Al-Atrash
205148

Sojoud Rjoob
185293

Note :

Project name:

Al-Samu Hospital

Drawing title :

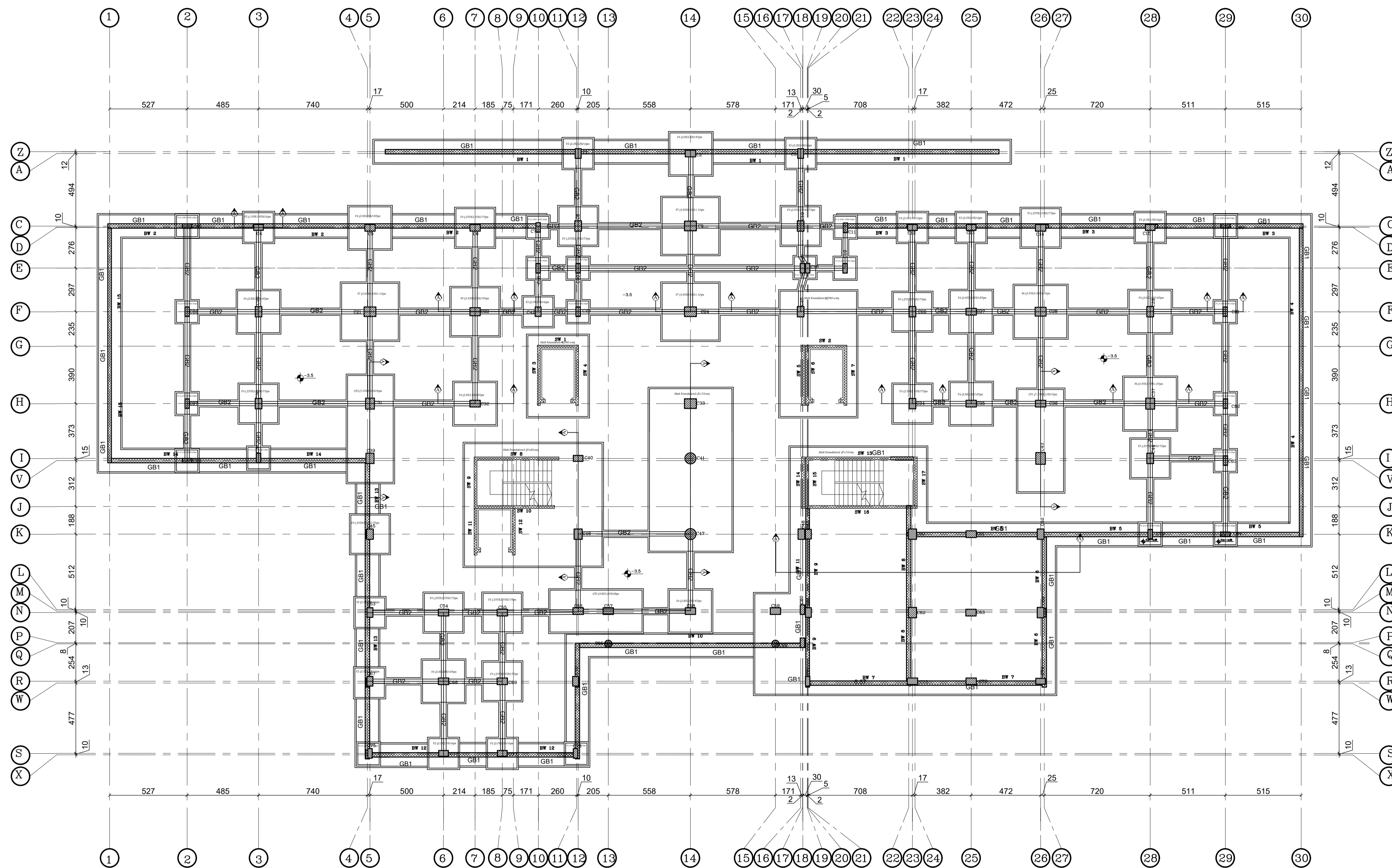
FOUNDATIONS
LAYOUT PLAN

Sheet No. S02

Units cm

Scale 1:150

Date January-2024



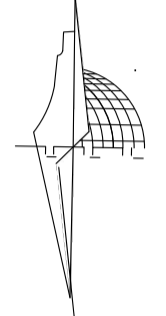


Palestine Polytechnic University

Engineering College

Civil Engineering

N



Supervised by :

Eng. Inas Shweki

Designed by:

Maisa Al-Atrash
205148

Sojoud Rjoob
185293

Note :

Project name:

Al-Samu Hospital

Drawing title :

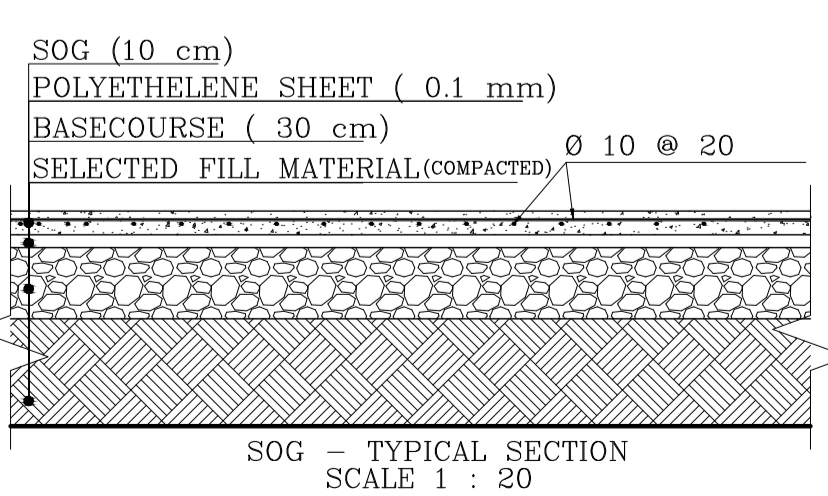
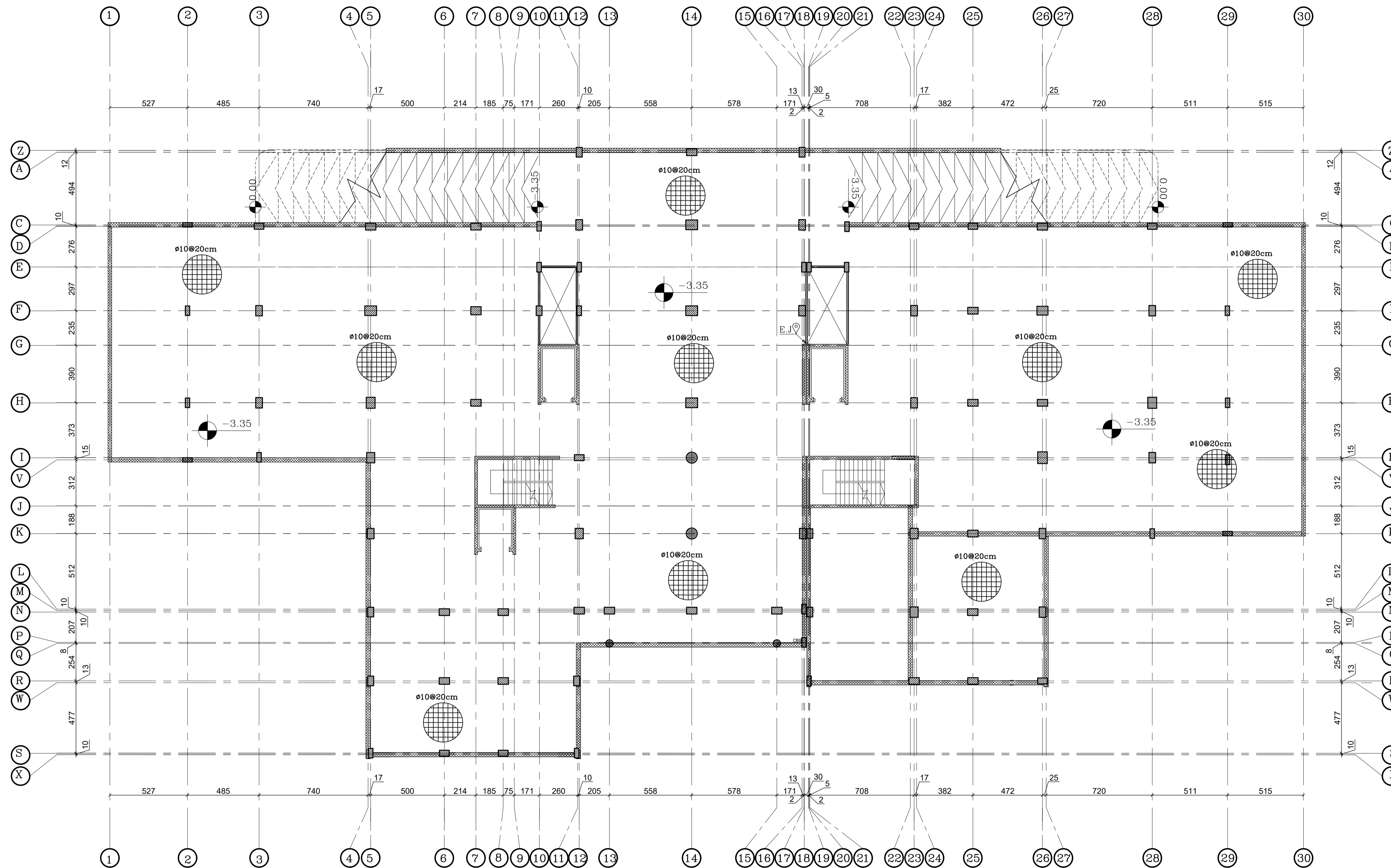
Slab On
Ground(SOG)

Sheet No. S03-A

Units cm

Scale 1:150

Date January-2024



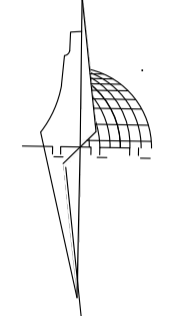


Palestine Polytechnic University

Engineering College

Civil Engineering

N



Supervised by :

Eng. Inas Shweki

Designed by:

Maisa Al-Atrash
205148

Sojoud Rjoob
185293

Note :

Project name:

Al-Samu Hospital

Drawing title :

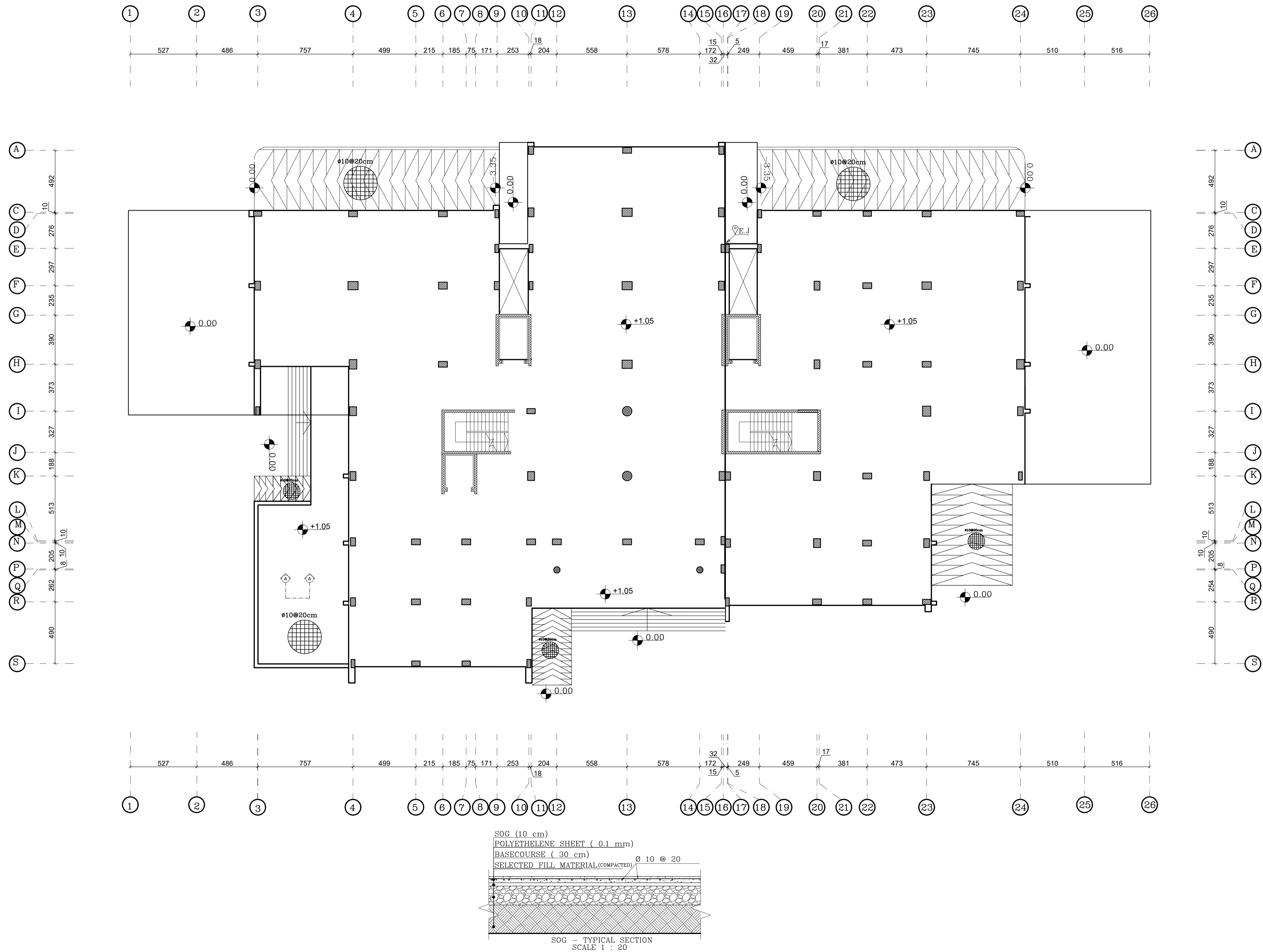
RAMP DETILS
Slab On Ground(SOG)

Sheet NO. S03-B

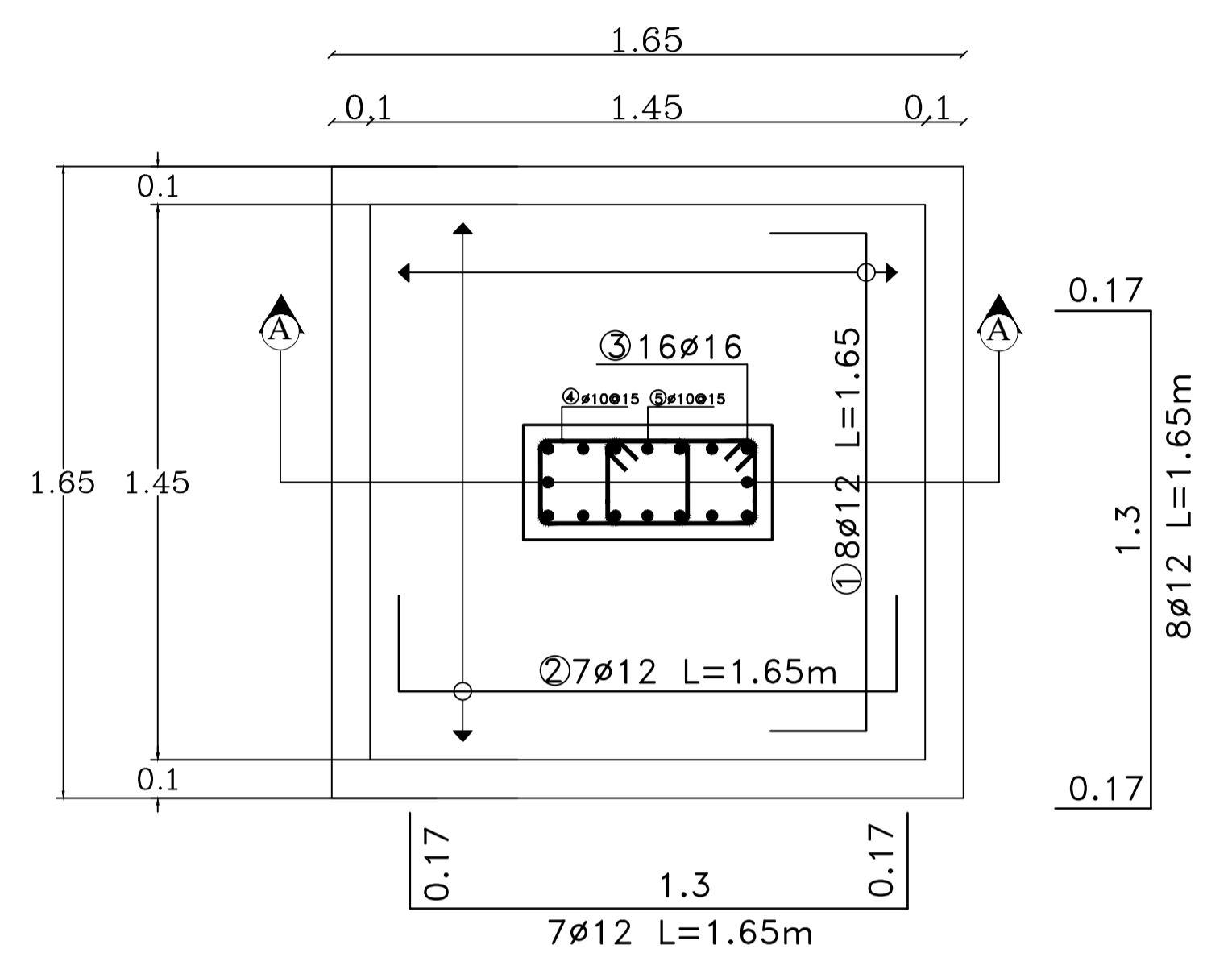
Units cm

Scale 1:150

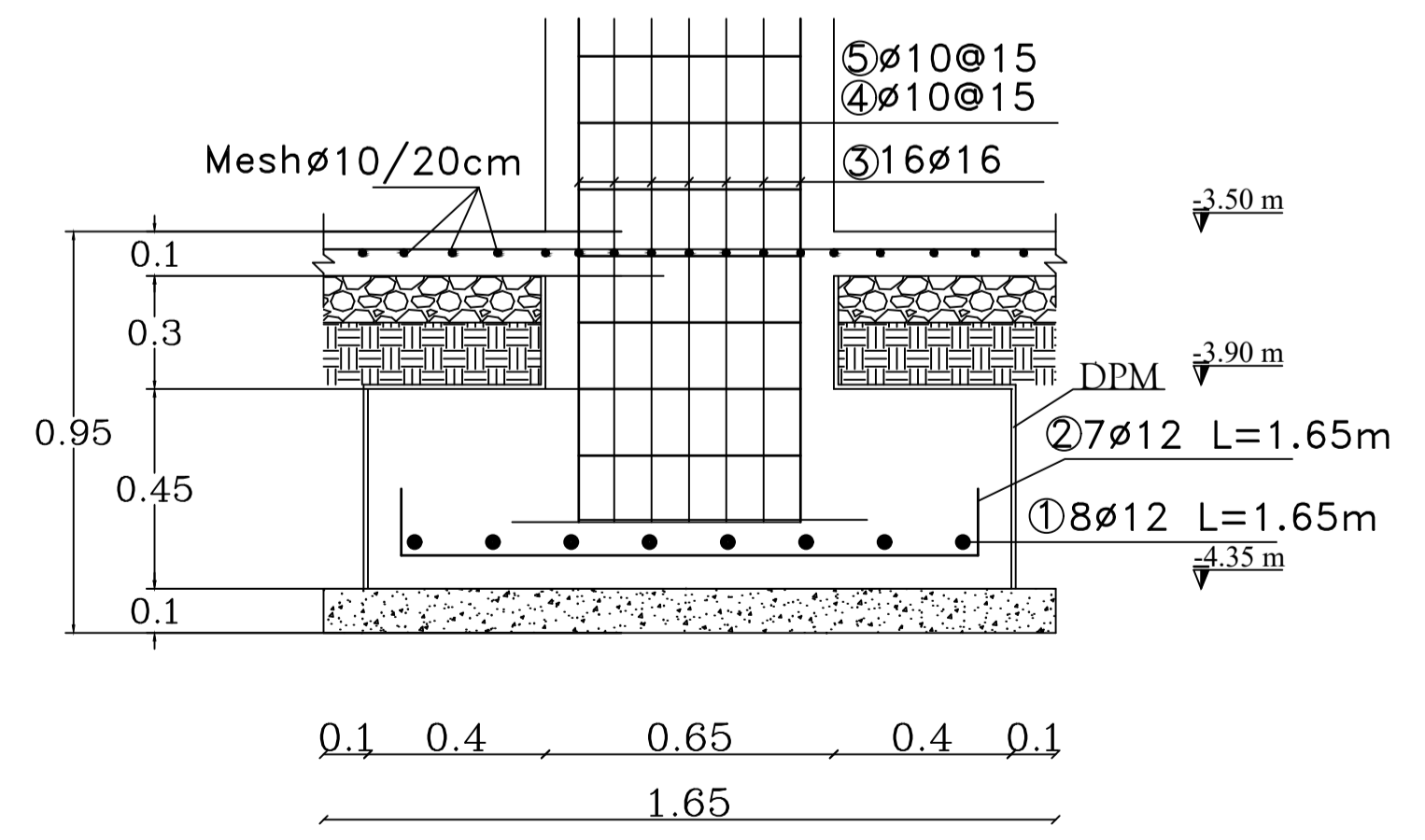
Date January-2024



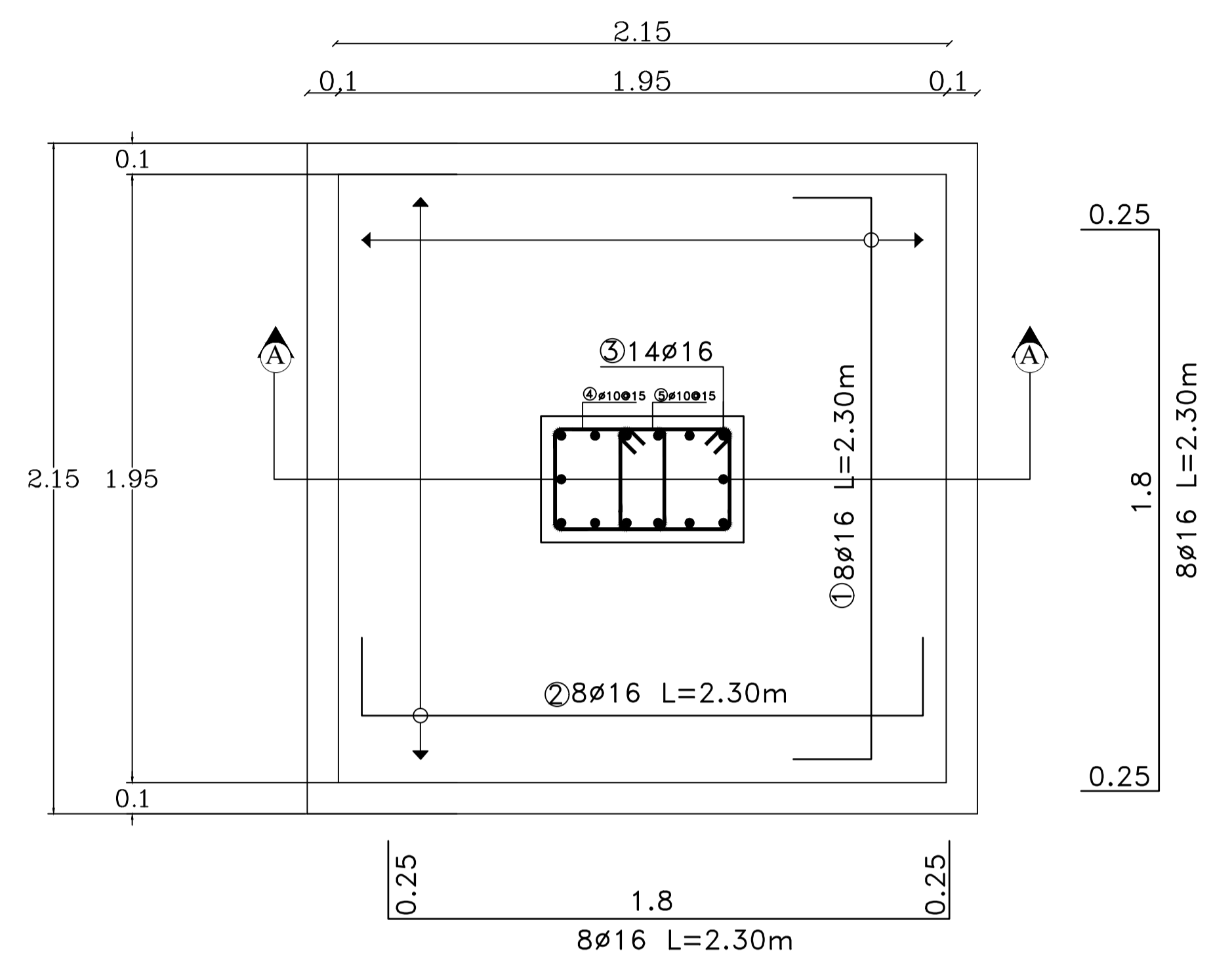
ISOLATED FOOTING - F1 (1.45X1.45X0.45)m



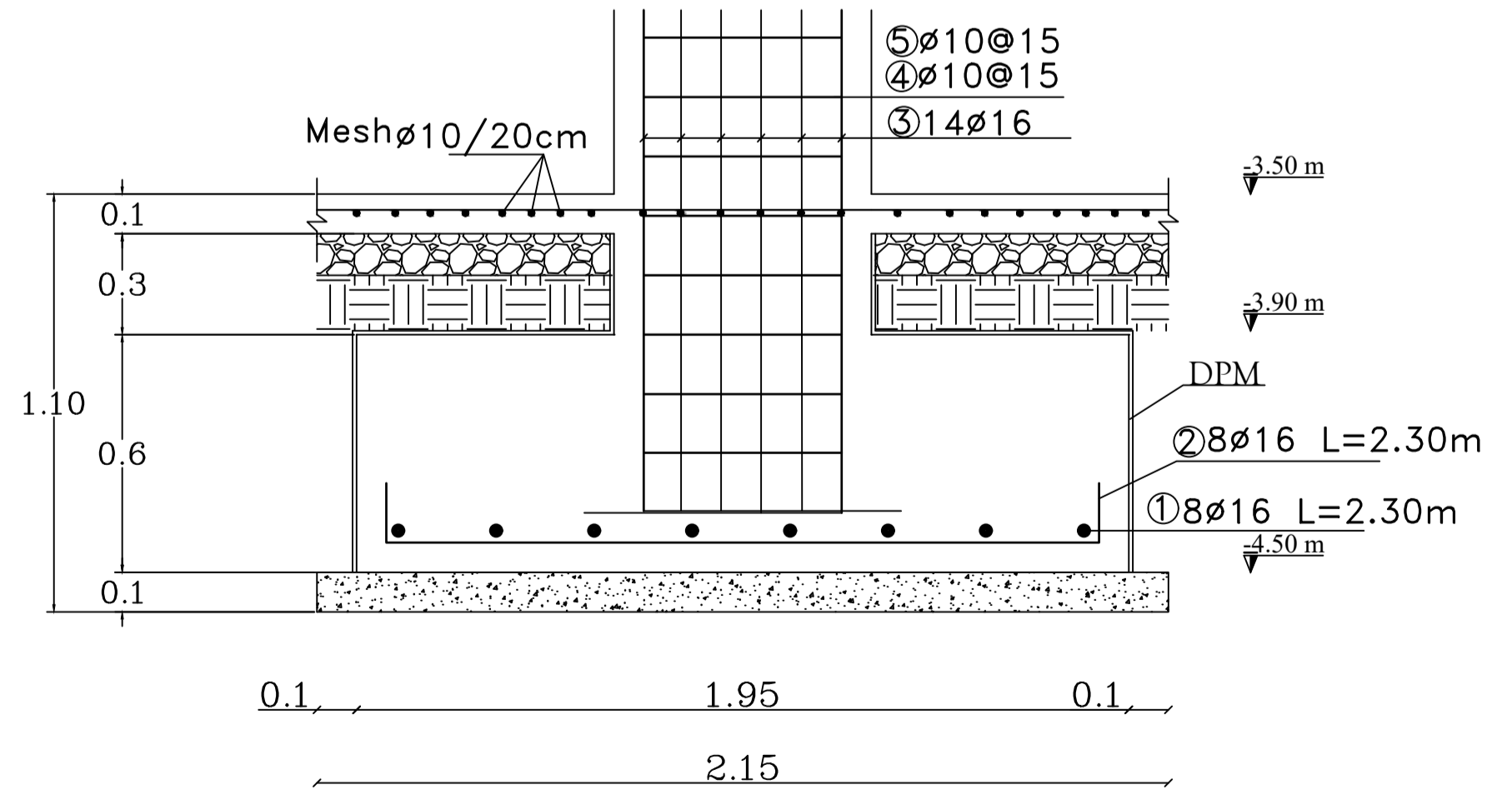
SECTION A-A
SCALE 1:25



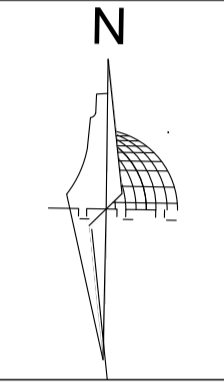
ISOLATED FOOTING - F2 (1.95X1.95X0.6)m



SECTION A-A
SCALE 1:25



Palestine Polytechnic University
Engineering College
Civil Engineering



Supervised by :
Eng. Inas Shweki

Designed by:
Maisa Al-Atrash 205148
Sojoud Rjoob 185293

Note :

Project name:
Al-Samu Hospital

Drawing title :
FOOTINGS DETAILS

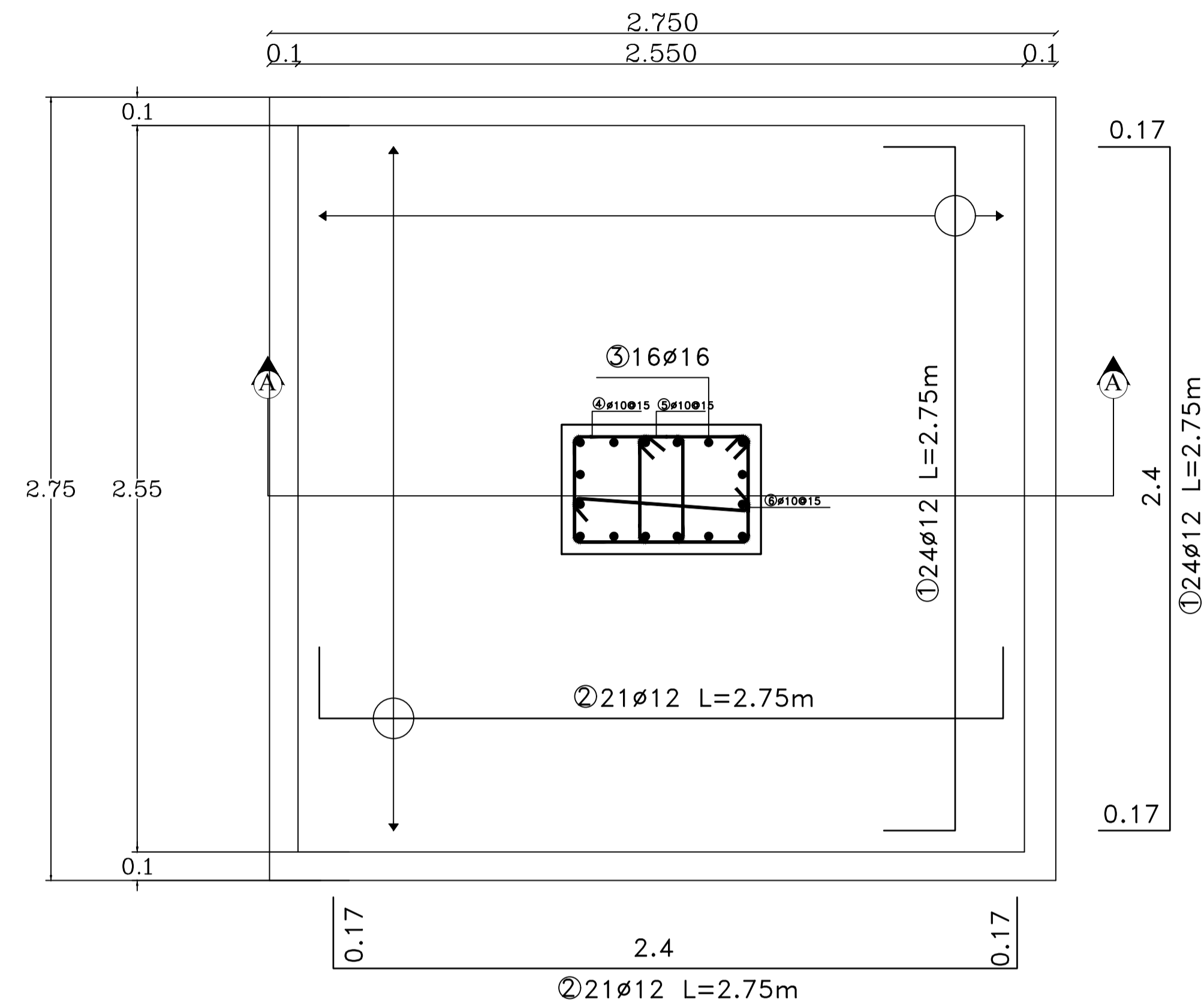
Sheet NO. S04-A

Units cm

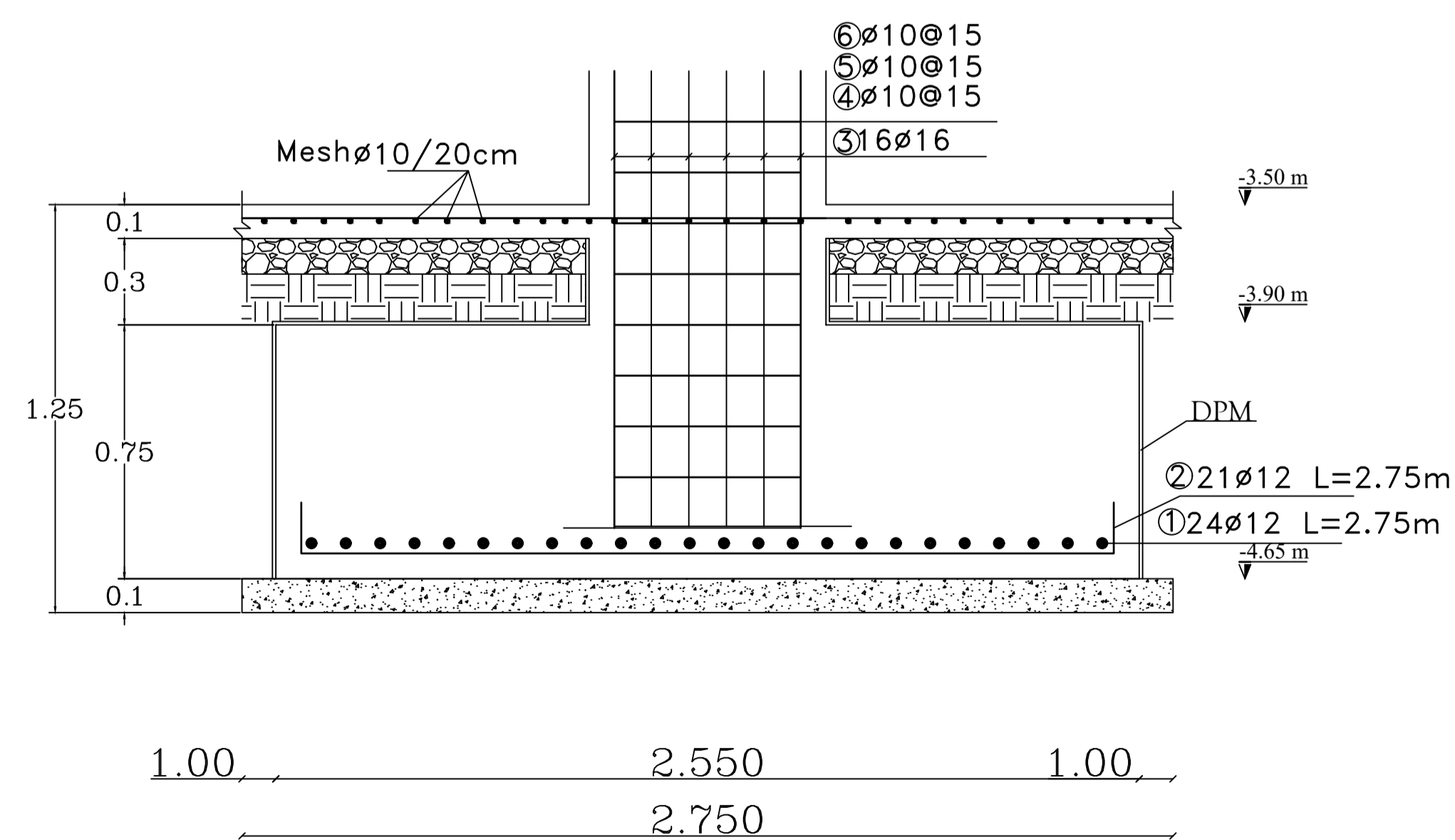
Scale 1:25

Date January-2024

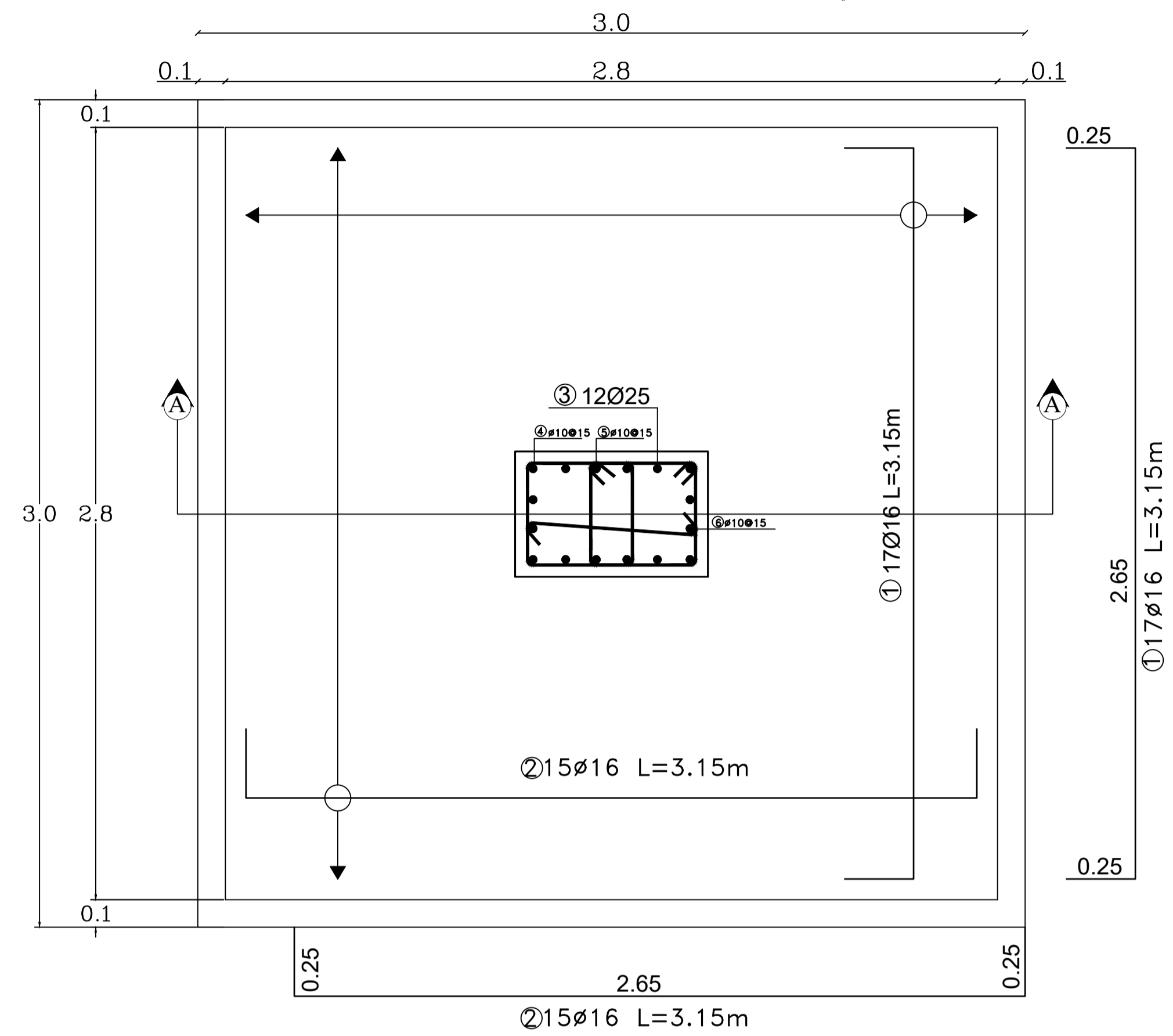
ISOLATED FOOTING - F3 (2.55X2.55X0.75)m



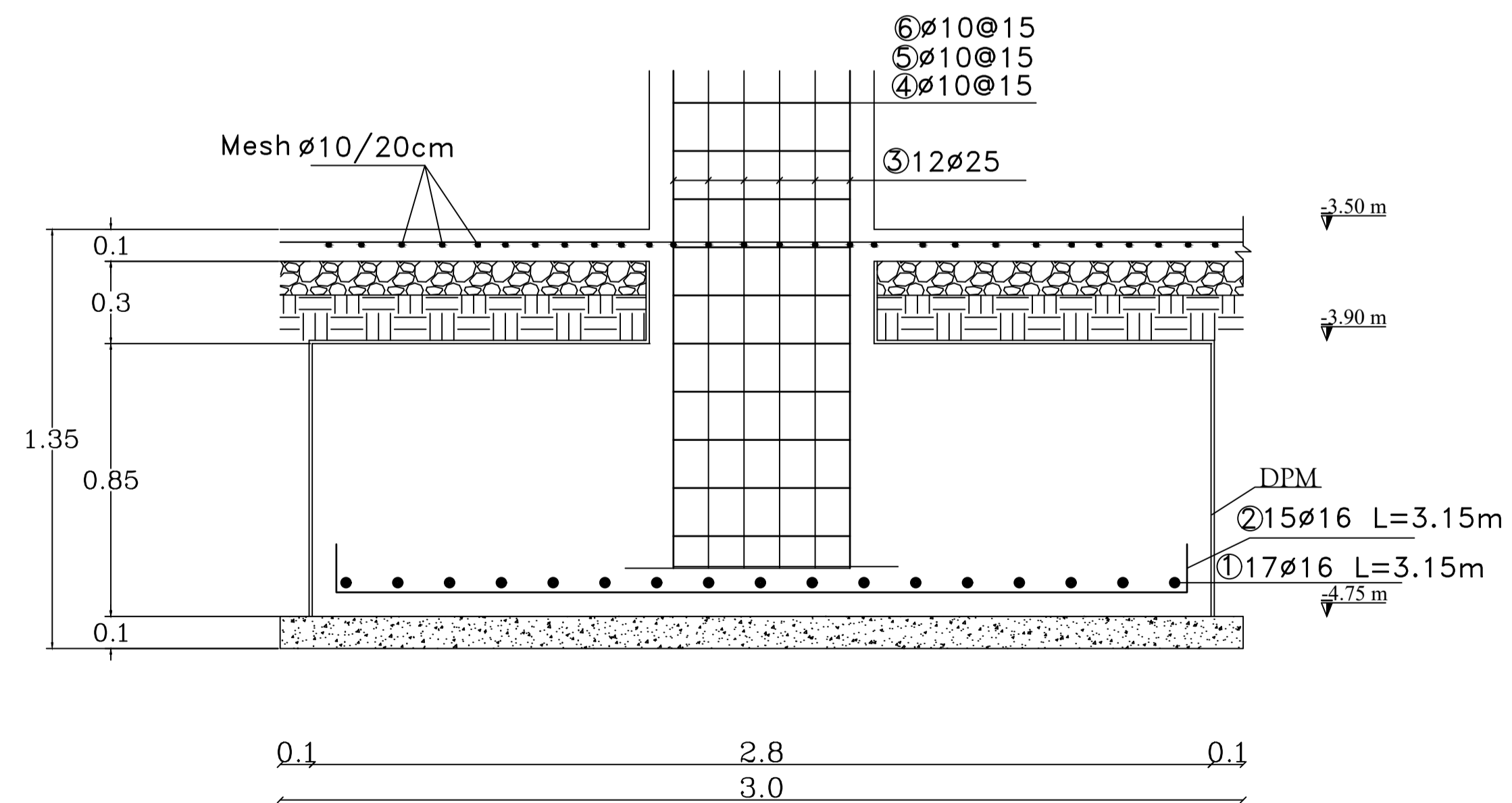
SECTION A-A
SCALE 1:25



ISOLATED FOOTING - F4 (2.8X2.8X0.85)m



SECTION A-A
SCALE 1:25

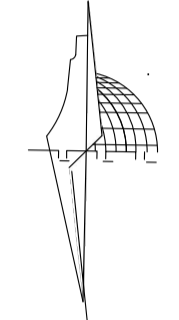


Palestine Polytechnic University

Engineering College

Civil Engineering

N



Supervised by :

Eng. Inas Shweki

Designed by:

Maisa Al-Atrash
205148

Sojoud Rjoob
185293

Note :

Project name:

Al-Samu Hospital

Drawing title :

FOOTINGS DETAILS

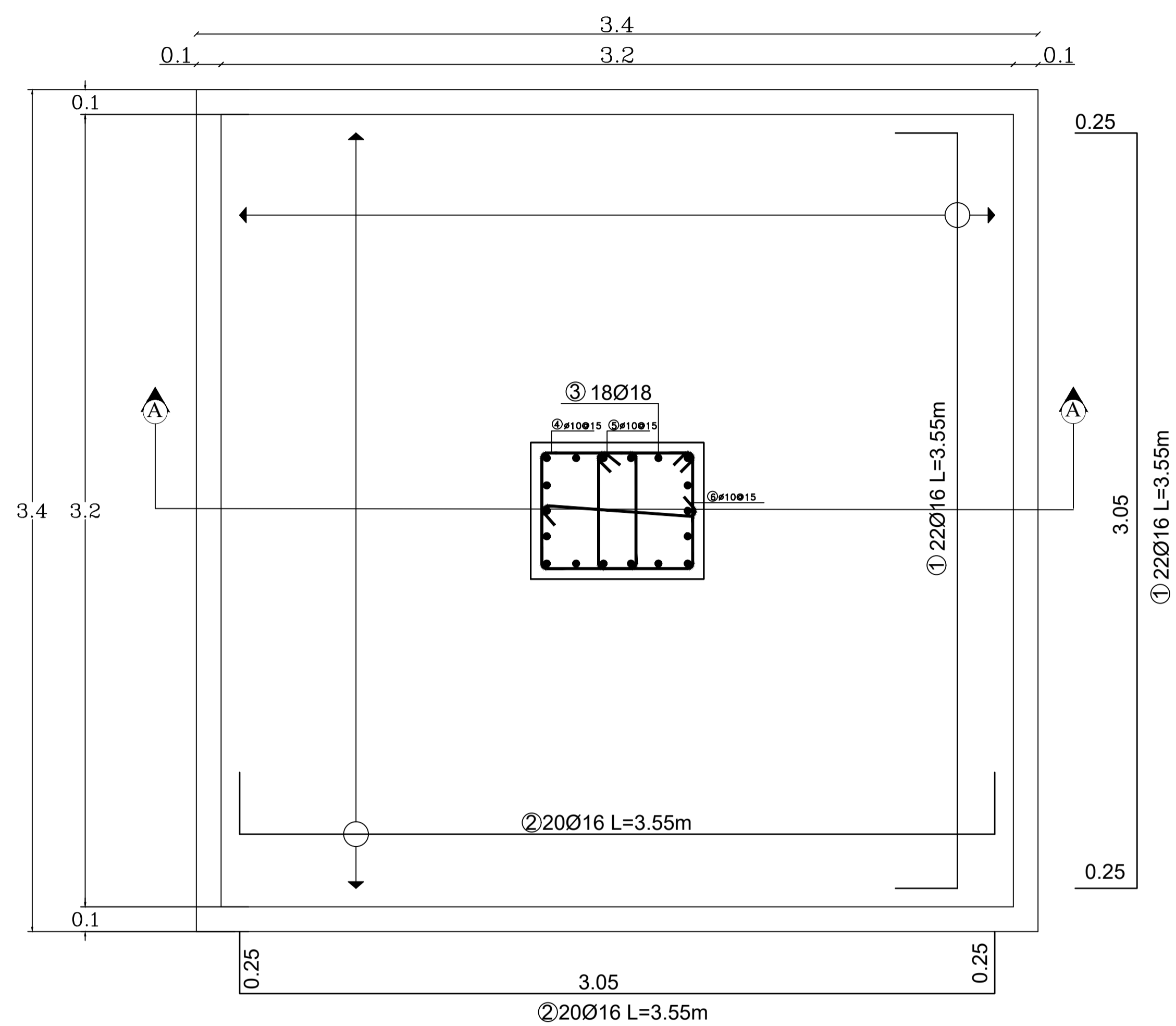
Sheet NO. S04-B

Units cm

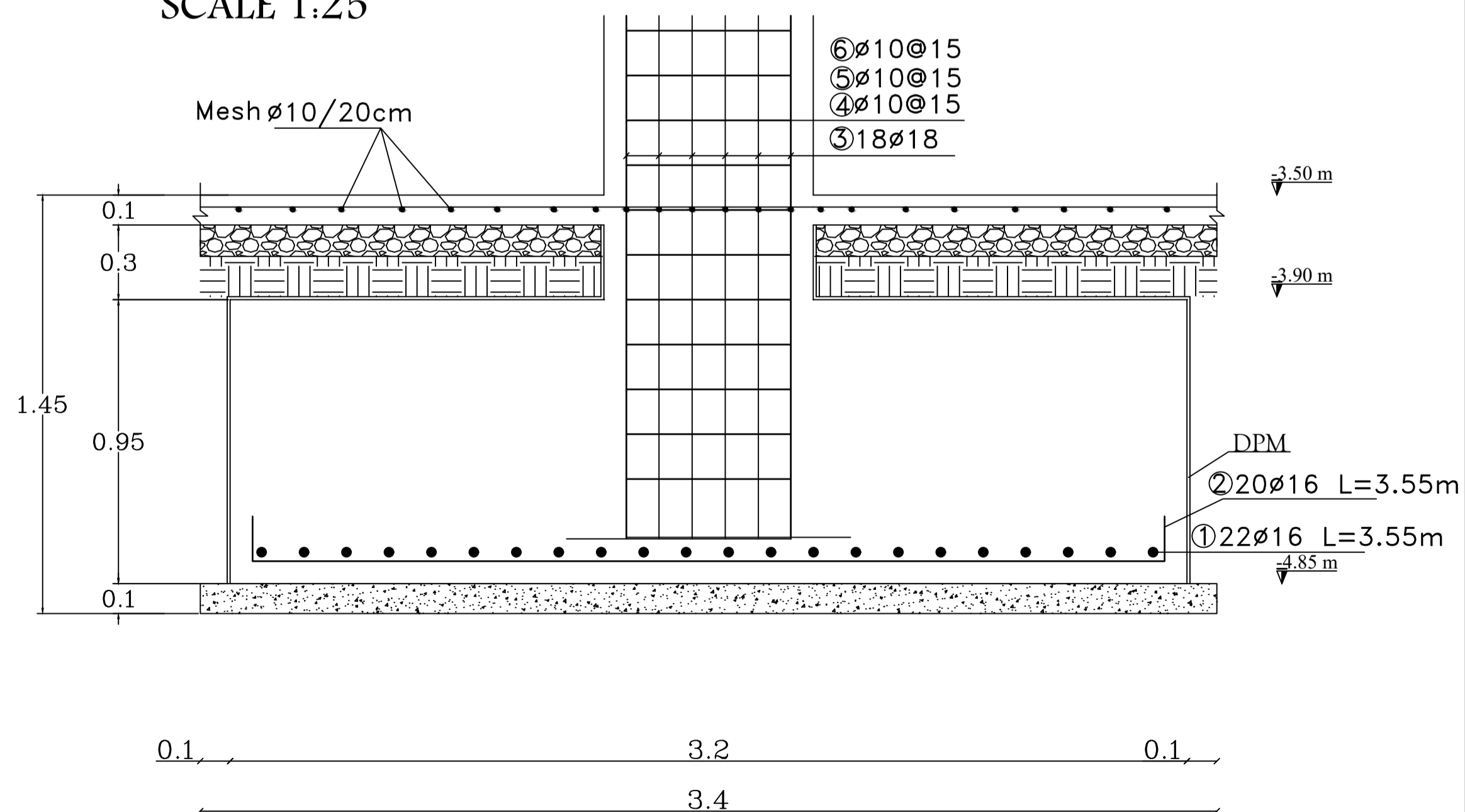
Scale 1:25

Date January-2024

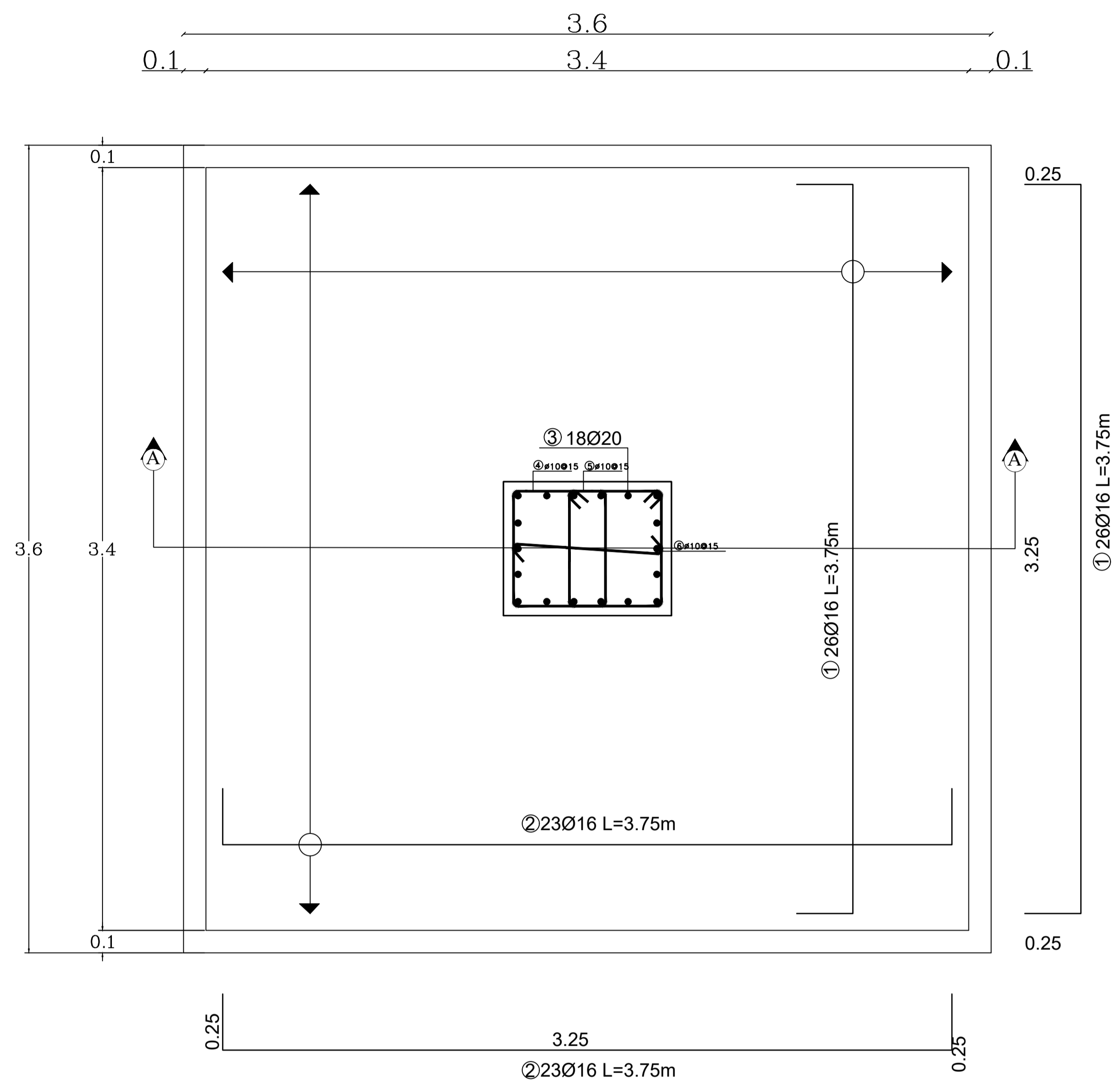
ISOLATED FOOTING - F5 (3.2X3.2X0.95)m



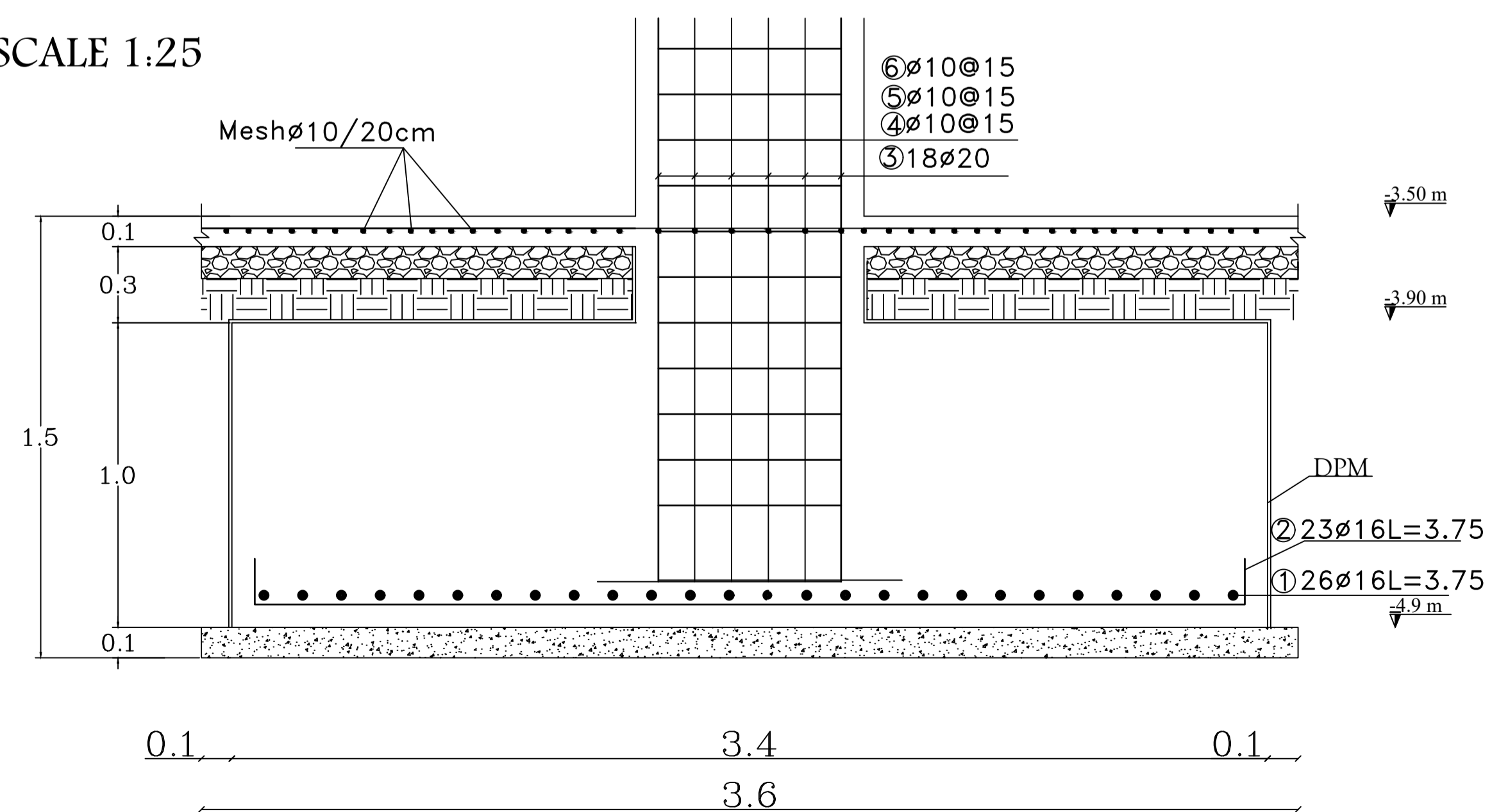
SECTION A-A
SCALE 1:25



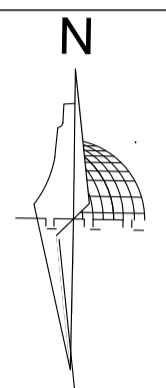
ISOLATED FOOTING - F6 (3.4X3.4X1.0)m



SECTION A-A
SCALE 1:25



Palestine Polytechnic University
Engineering College
Civil Engineering



Supervised by :

Eng. Inas Shweki

Designed by:

Maisa Al-Atrash
205148

Sojoud Rjoob
185293

Note :

Project name:

Al-Samu Hospital

Drawing title :

FOOTINGS DETAILS

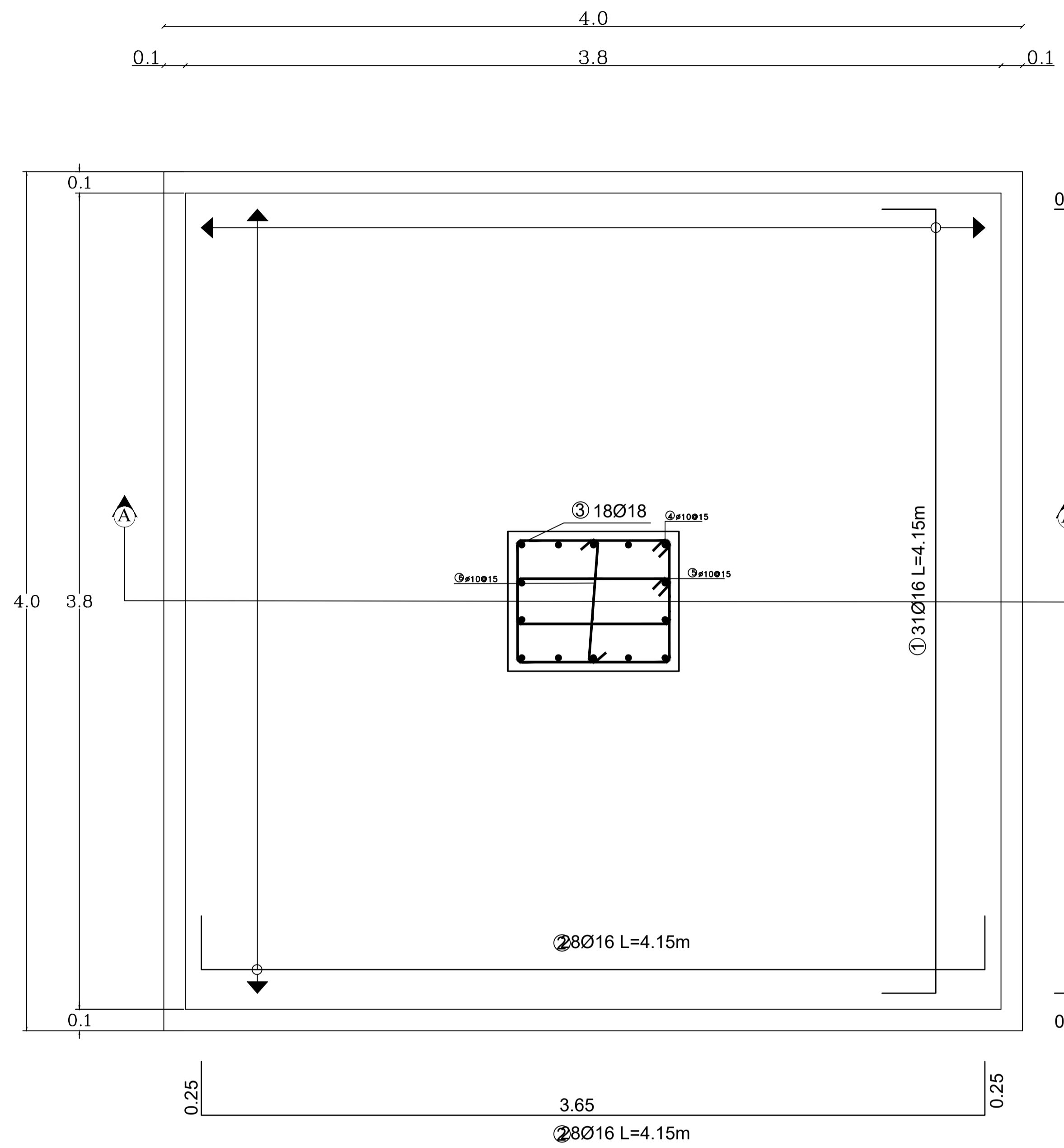
Sheet NO. S04-C

Units cm

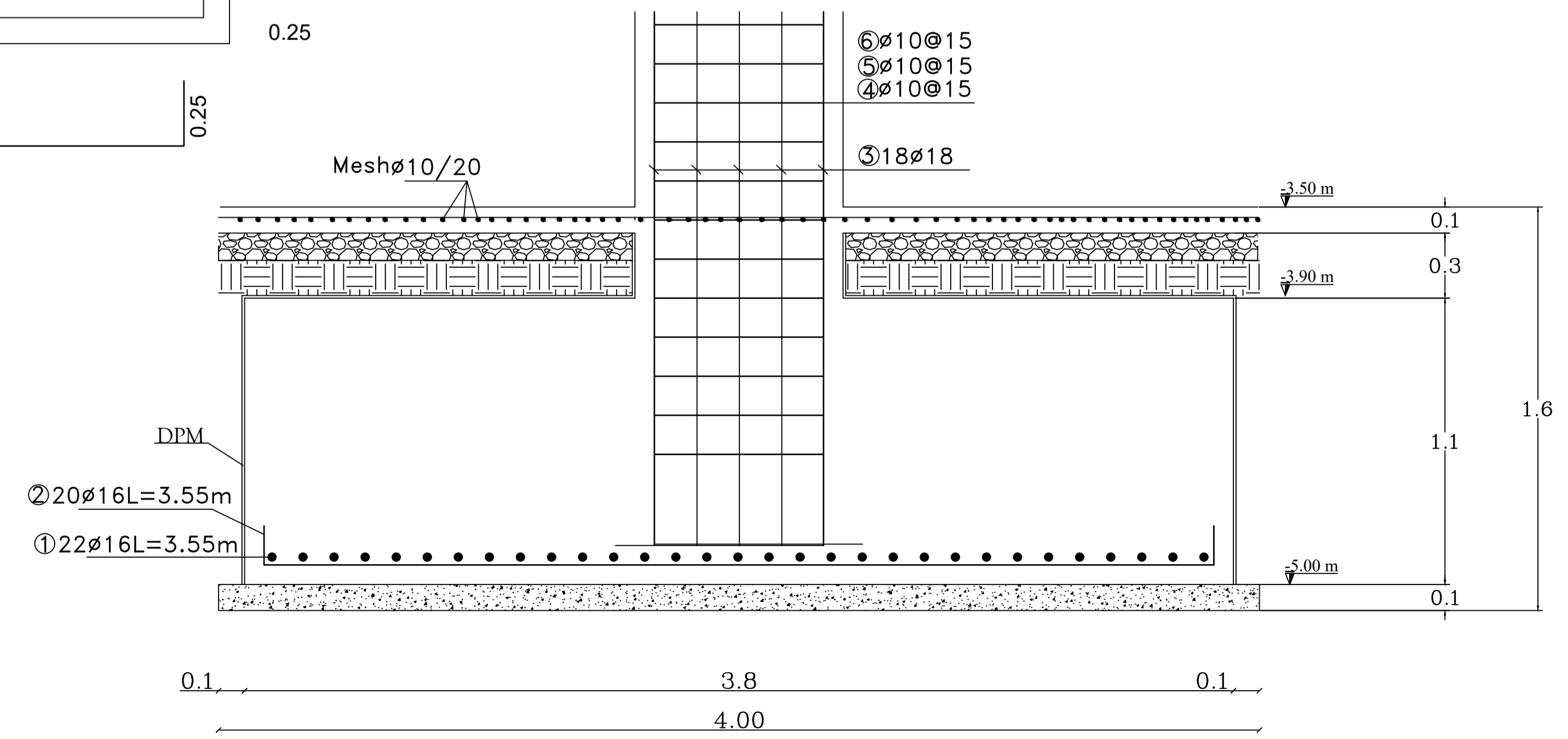
Scale 1:25

Date January-2024

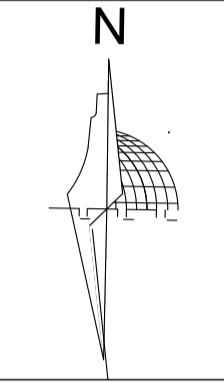
ISOLATED FOOTING - F7(3.8X3.8X1.10)m



SECTION A-A
SCALE 1:25



Palestine Polytechnic University
Engineering College
Civil Engineering



Supervised by :
Eng. Inas Shweki

Designed by:
Maisa Al-Atrash 205148
Sojoud Rjoob 185293

Note :

Project name:
Al-Samu Hospital

Drawing title :
FOOTINGS DETAILS

Sheet NO. S04-D

Units cm

Scale 1:25

Date January-2024

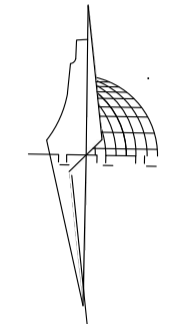


Palestine Polytechnic University

Engineering College

Civil Engineering

N



Supervised by :

Eng. Inas Shweki

Designed by:

Maisa Al-Atrash
205148

Sojoud Rjoob
185293

Note :

Project name:

Al-Samu Hospital

Drawing title :

FOOTINGS DETAILS

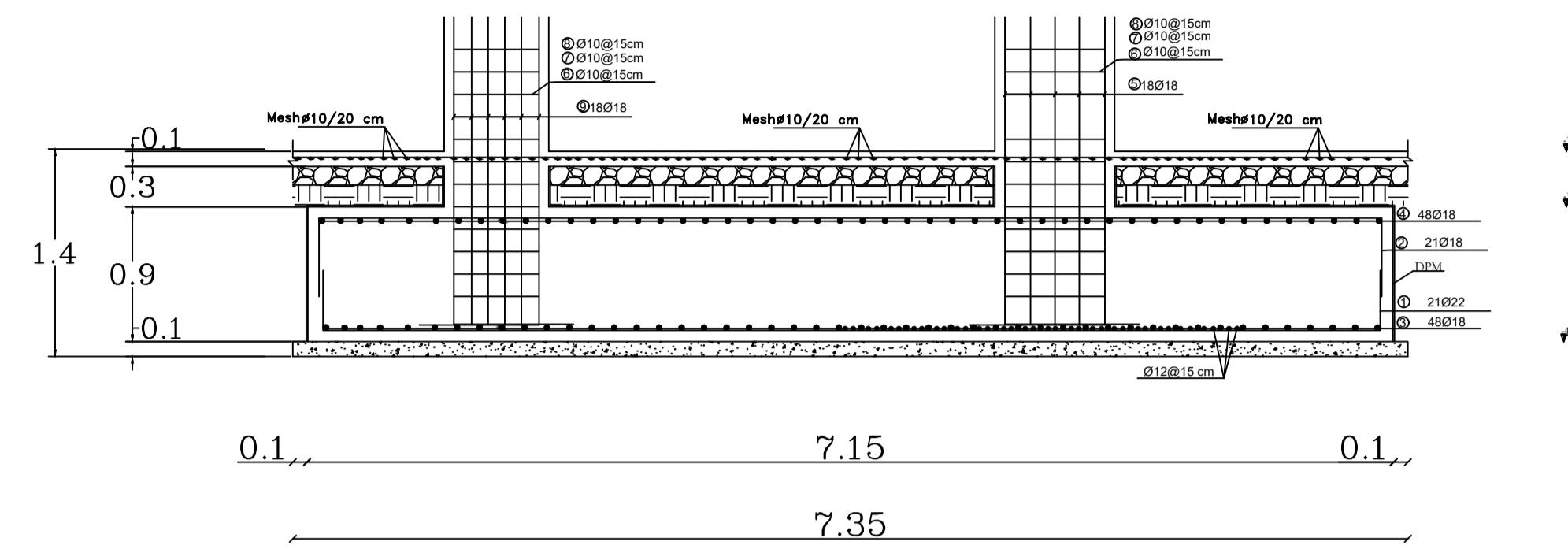
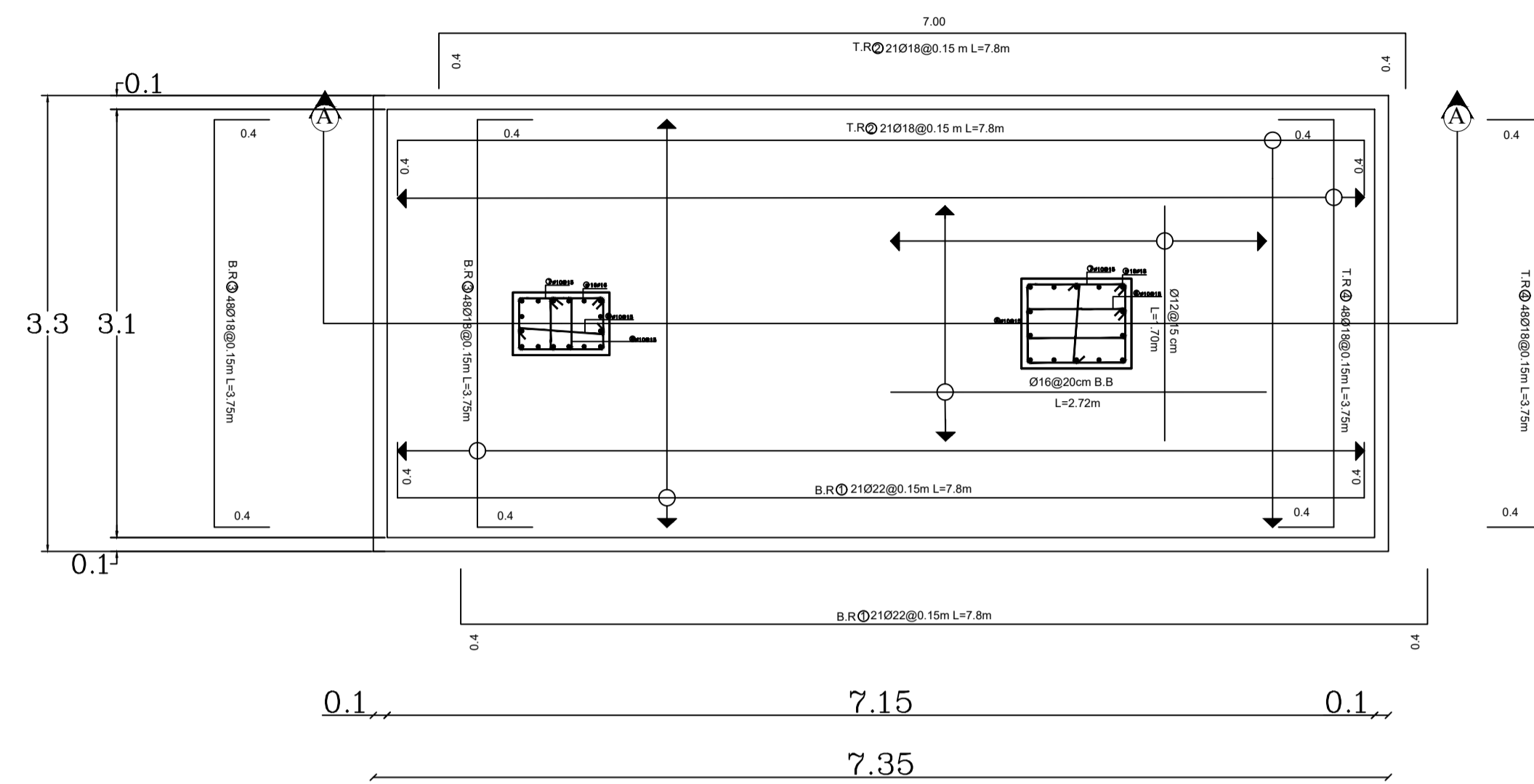
Sheet NO. S04-E

Units cm

Scale 1:25

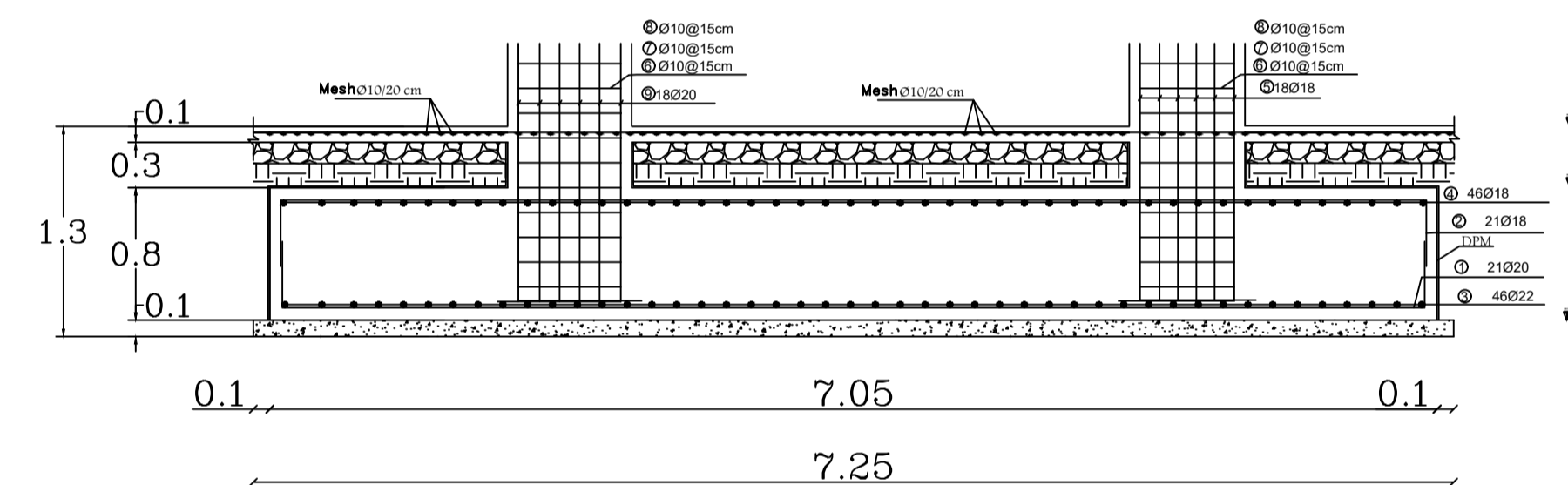
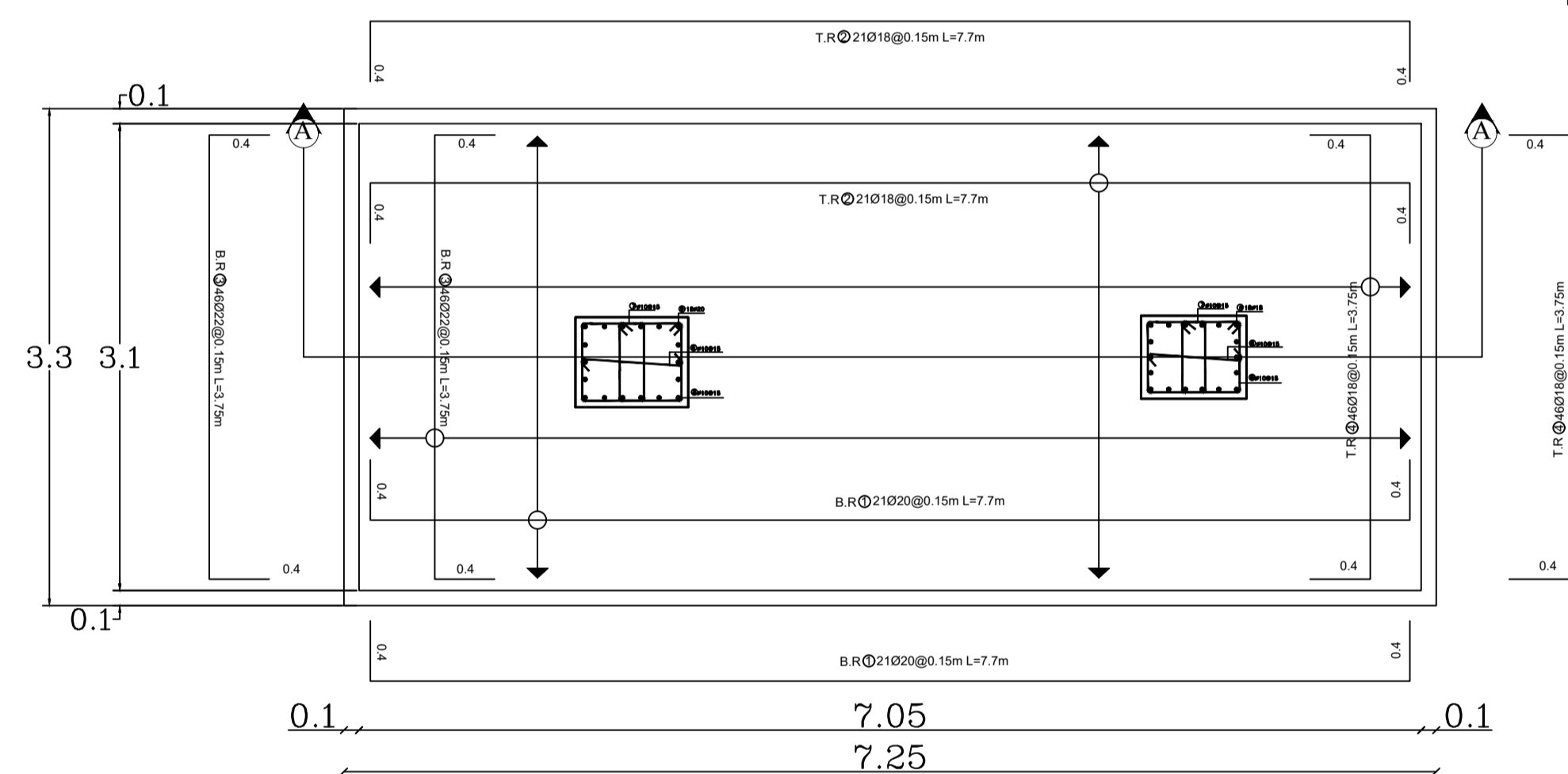
Date January-2024

COMBINED FOOTING - C.F1 (7.15x3.10x0.9)m



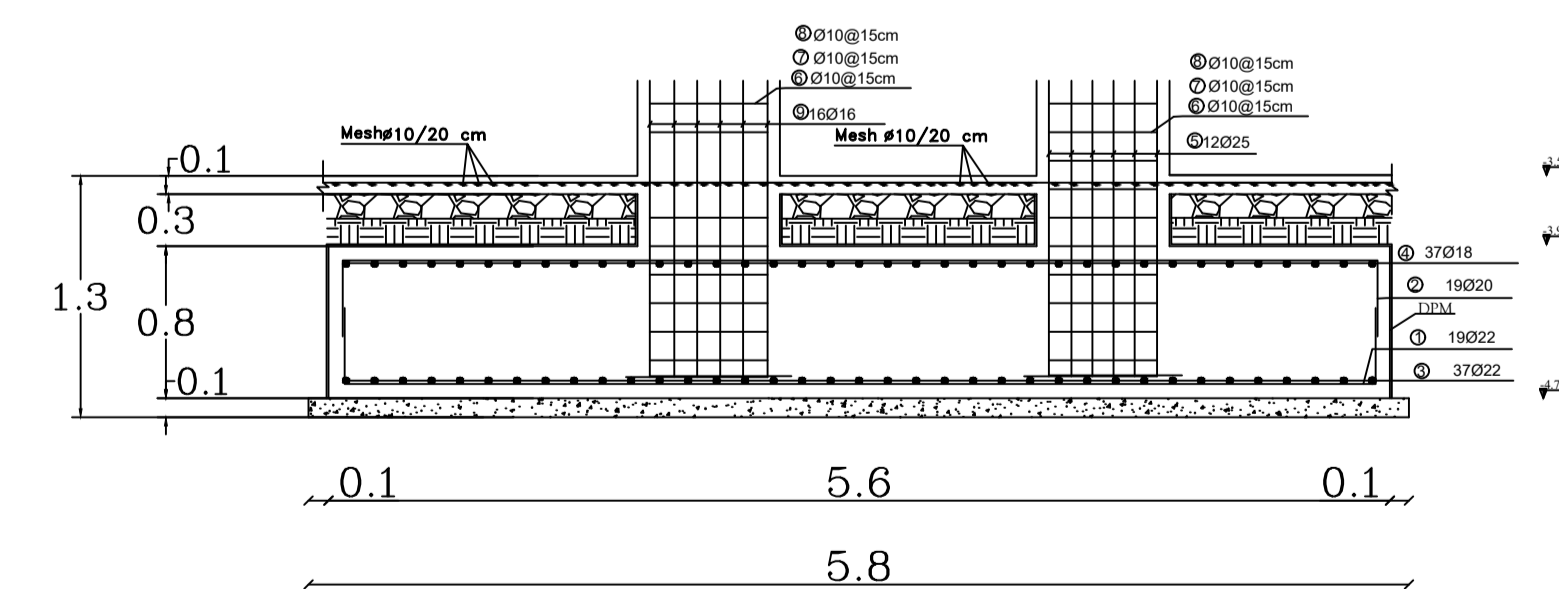
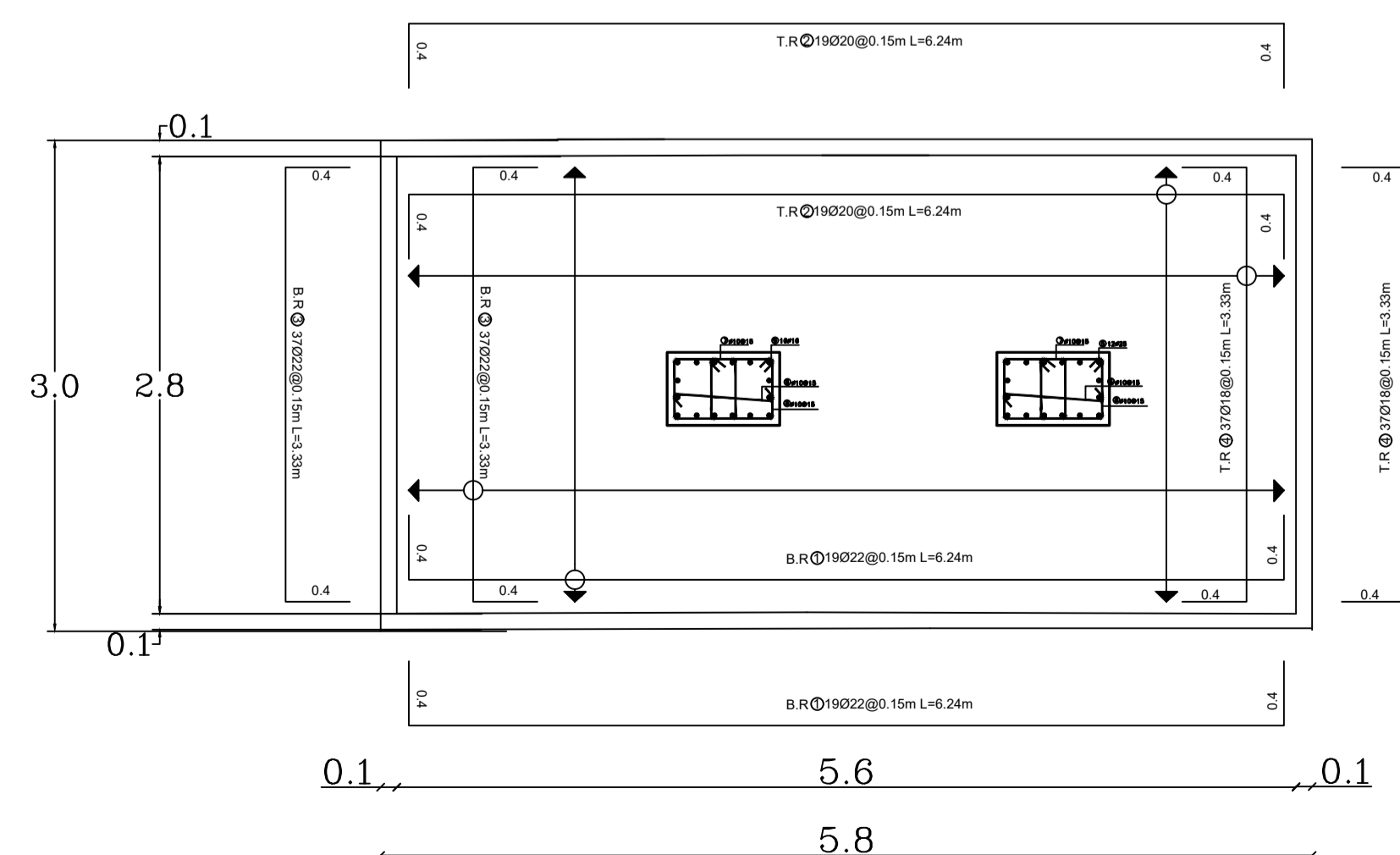
SECTION A-A
SCALE 1:25

COMBINED FOOTING - C.F2 (7.05x3.10x0.8)m



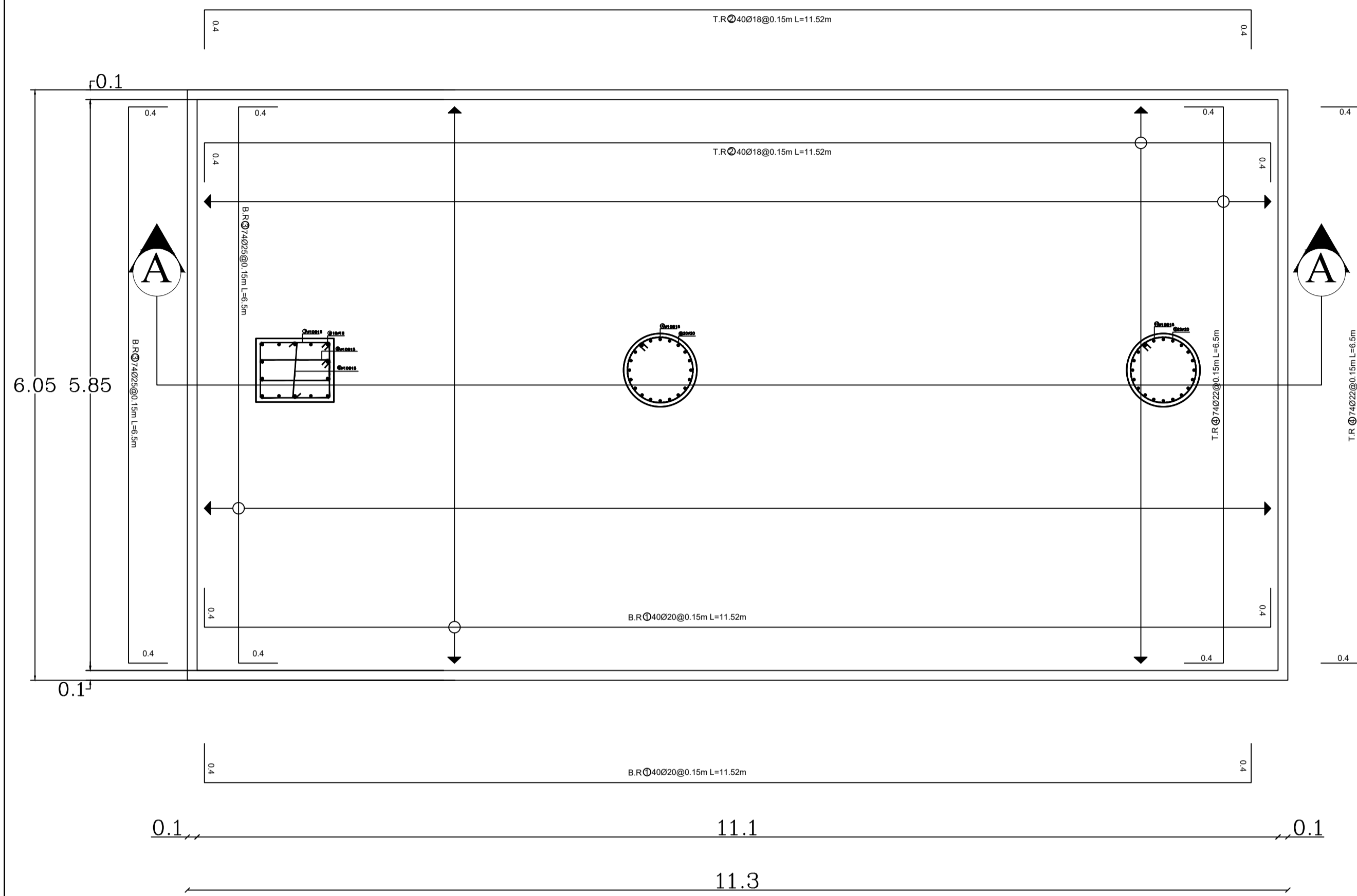
SECTION A-A
SCALE 1:25

COMBINED FOOTING - C.F3 (5.8x2.8x0.8)m

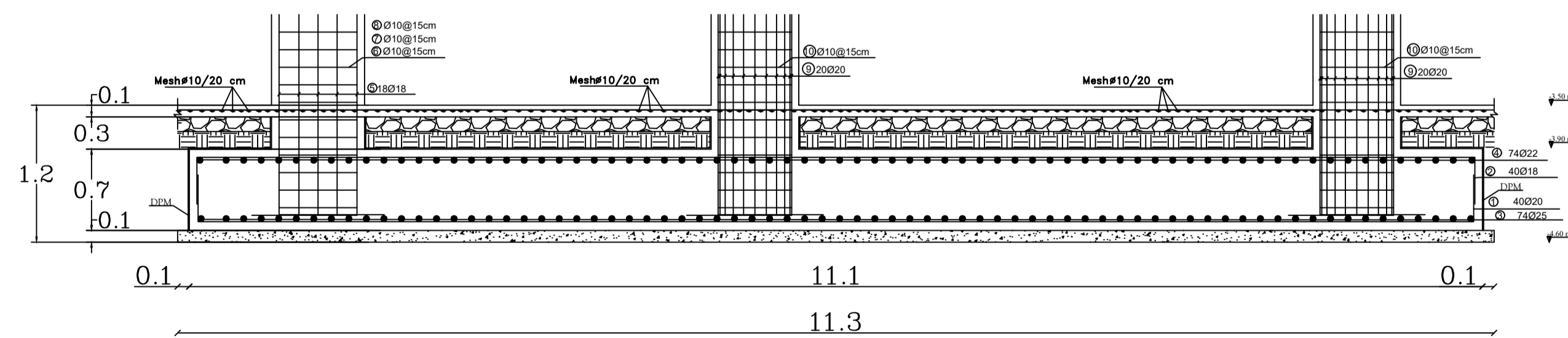


SECTION A-A
SCALE 1:25

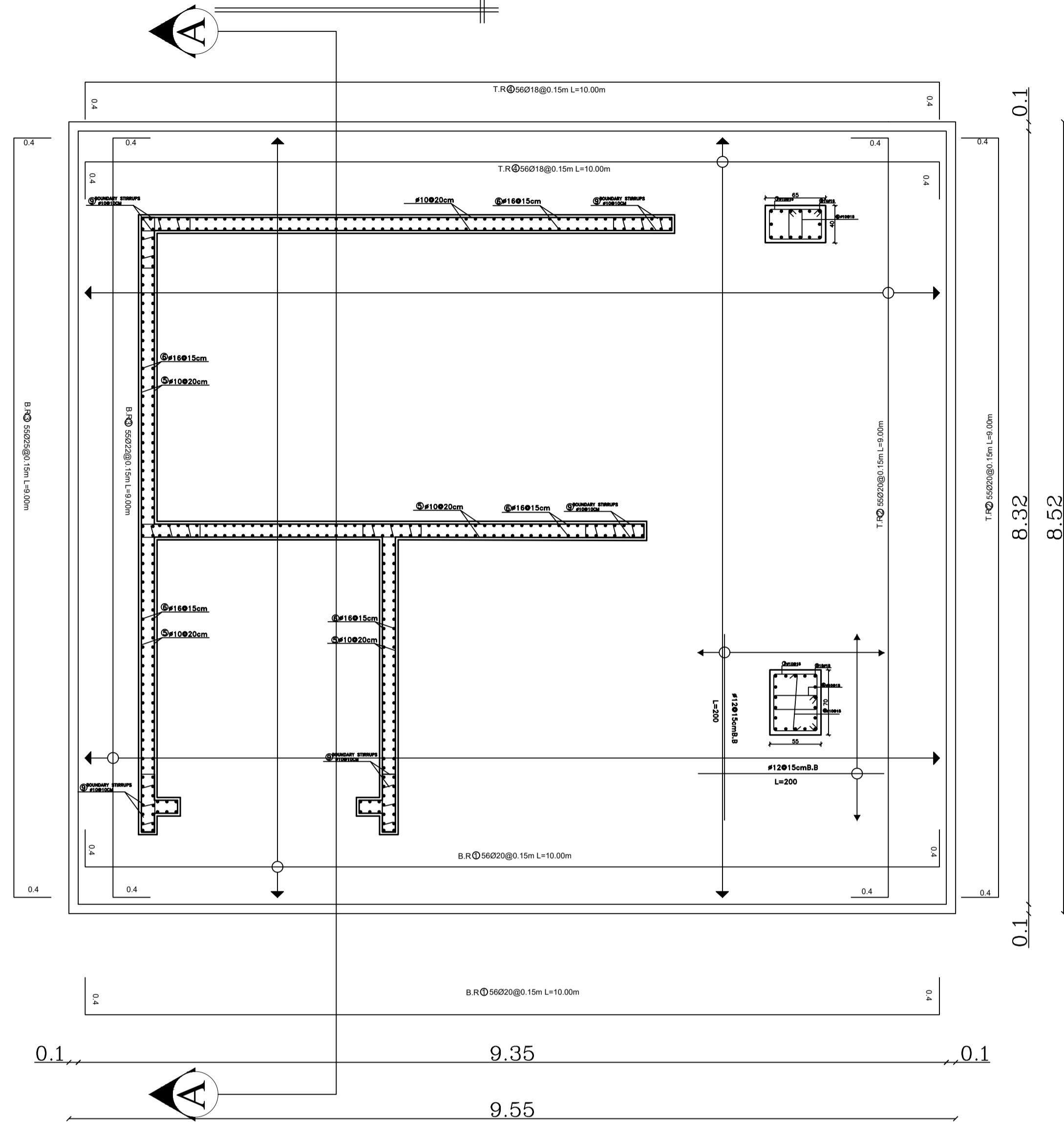
Matt FOOTING 2



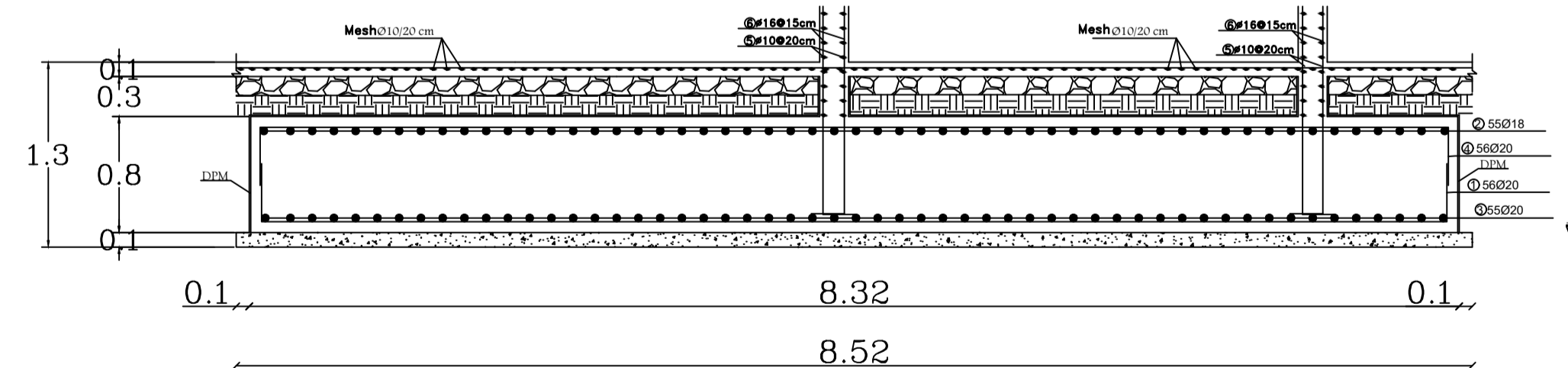
SECTION A-A
SCALE 1:25



Matt FOOTING 3



SECTION A-A
SCALE 1:25

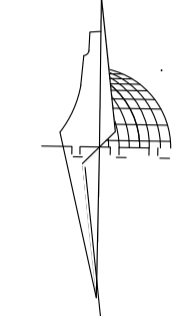


Palestine Polytechnic University

Engineering College

Civil Engineering

N



Supervised by :

Eng. Inas Shweki

Designed by:

Maisa Al-Atrash
205148

Sojoud Rjoob
185293

Note :

Project name:

Al-Samu Hospital

Drawing title :

FOOTINGS DETAILS

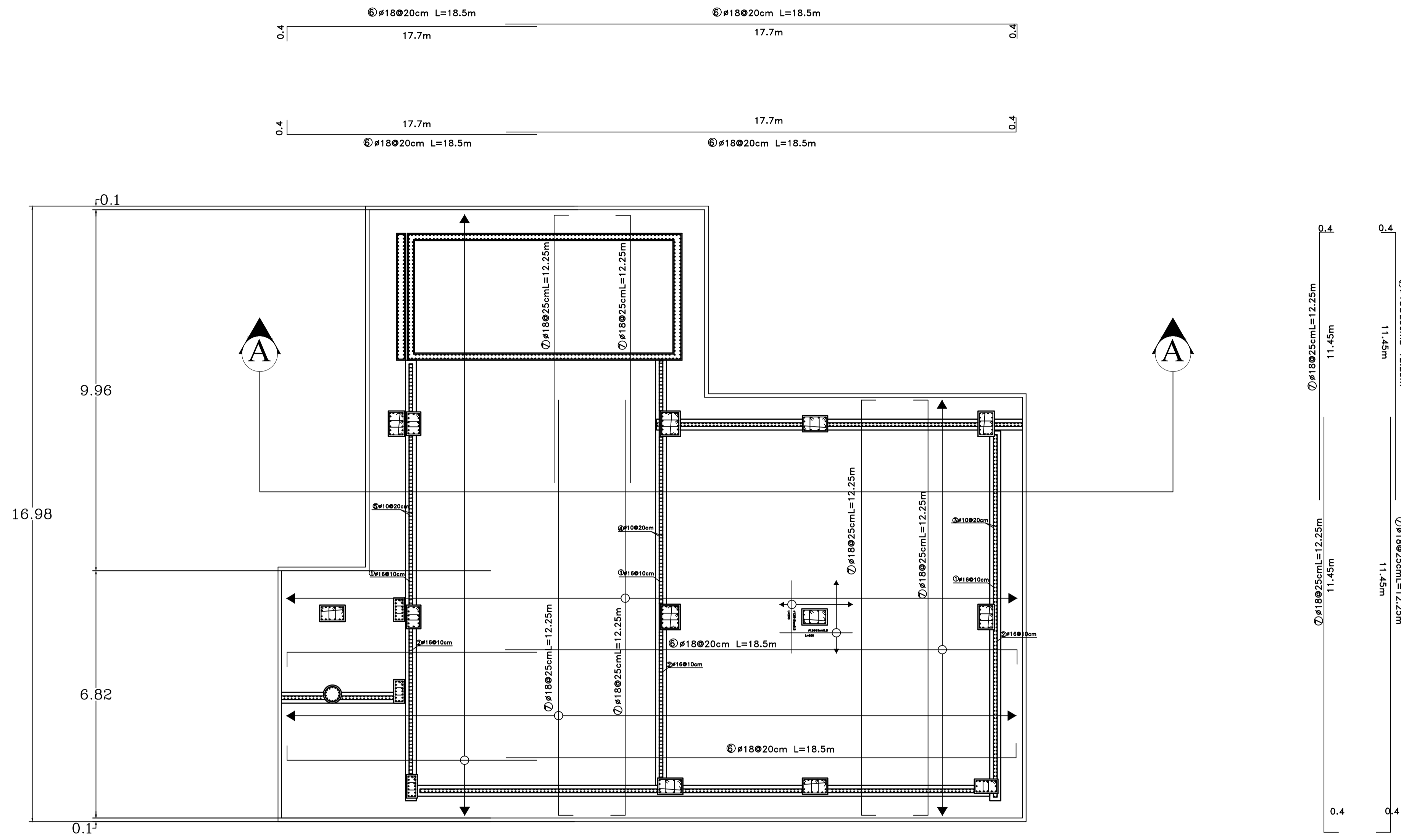
Sheet NO. S04-G

Units cm

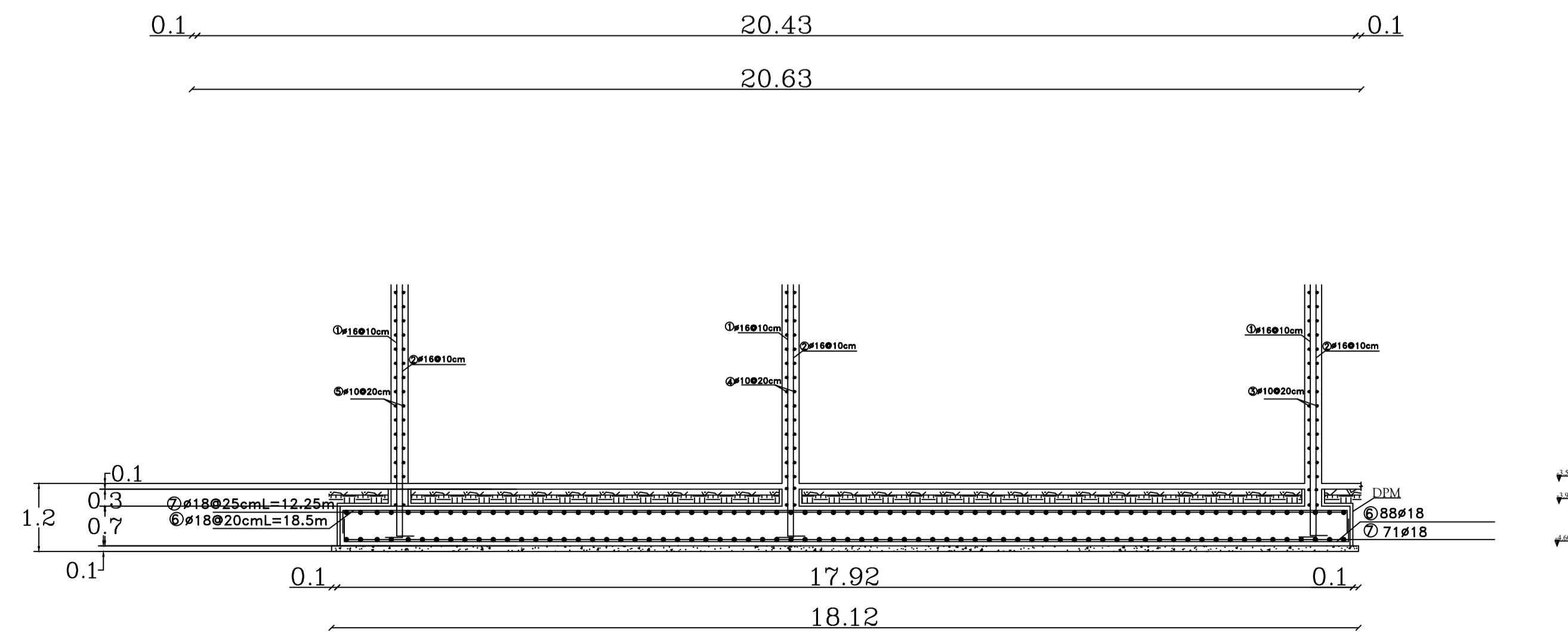
Scale 1:25

Date January-2024

Matt FOOTING 1



SECTION A-A
SCALE 1:50

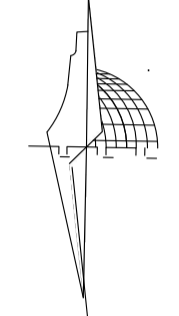


Palestine Polytechnic University

Engineering College

Civil Engineering

N



Supervised by :

Eng. Inas Shweki

Designed by:

Maisa Al-Atrash
205148

Sojoud Rjoob
185293

Note :

Project name:

Al-Samu Hospital

Drawing title :

FOOTINGS DETAILS

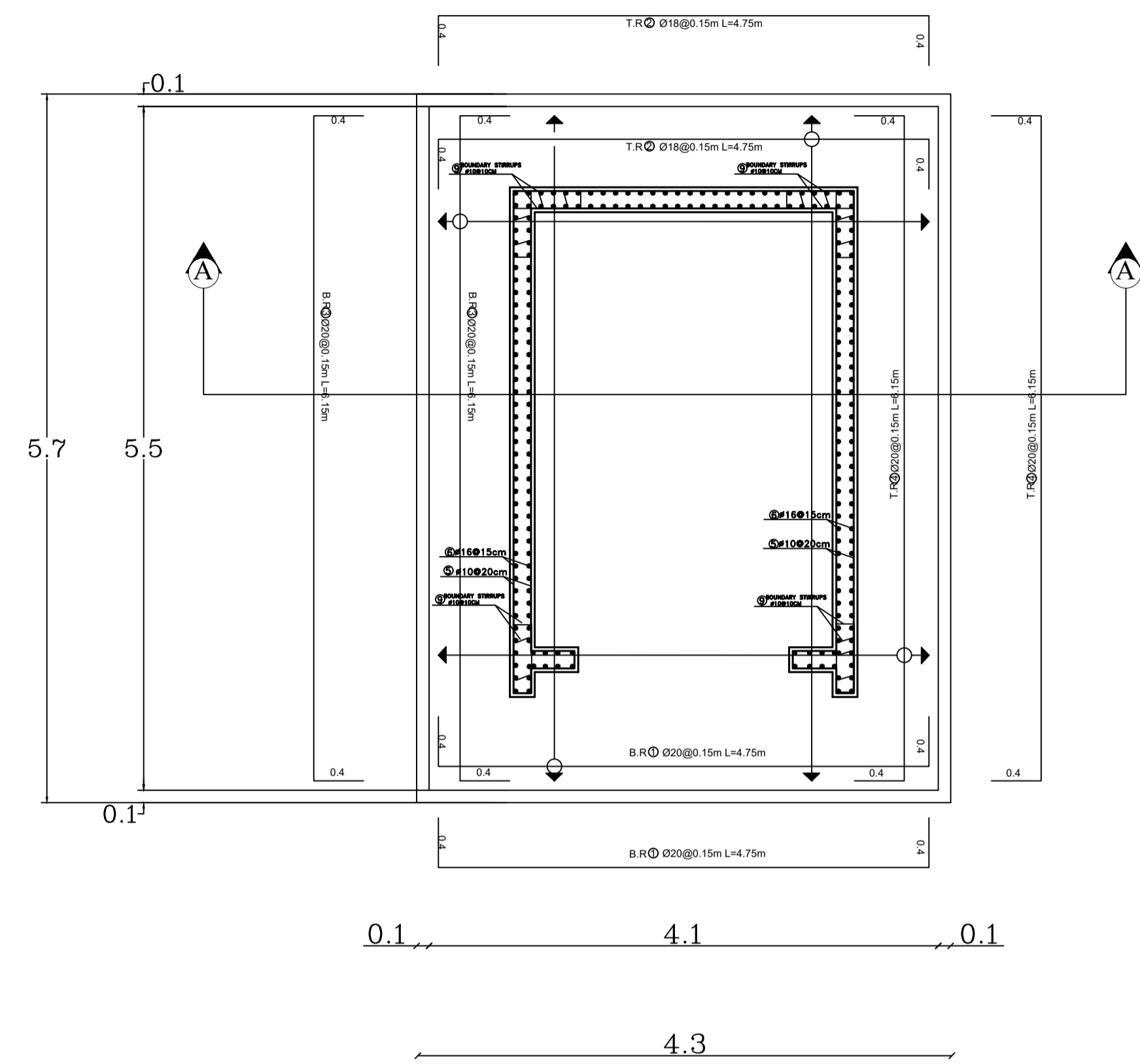
Sheet NO. S04-F

Units cm

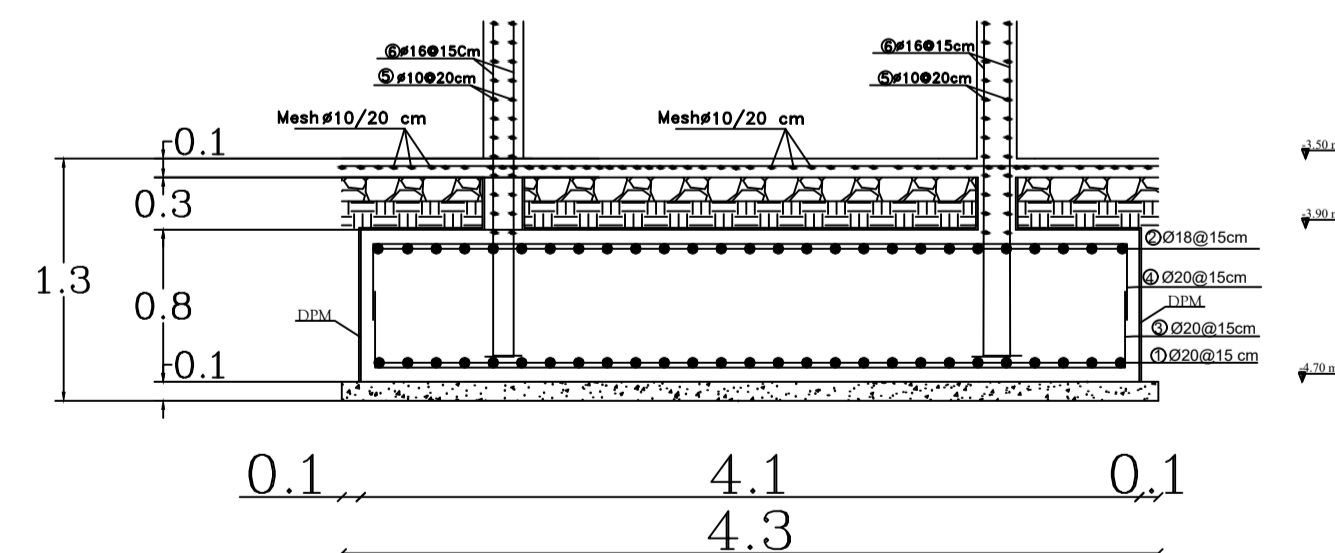
Scale 1:25

Date January-2024

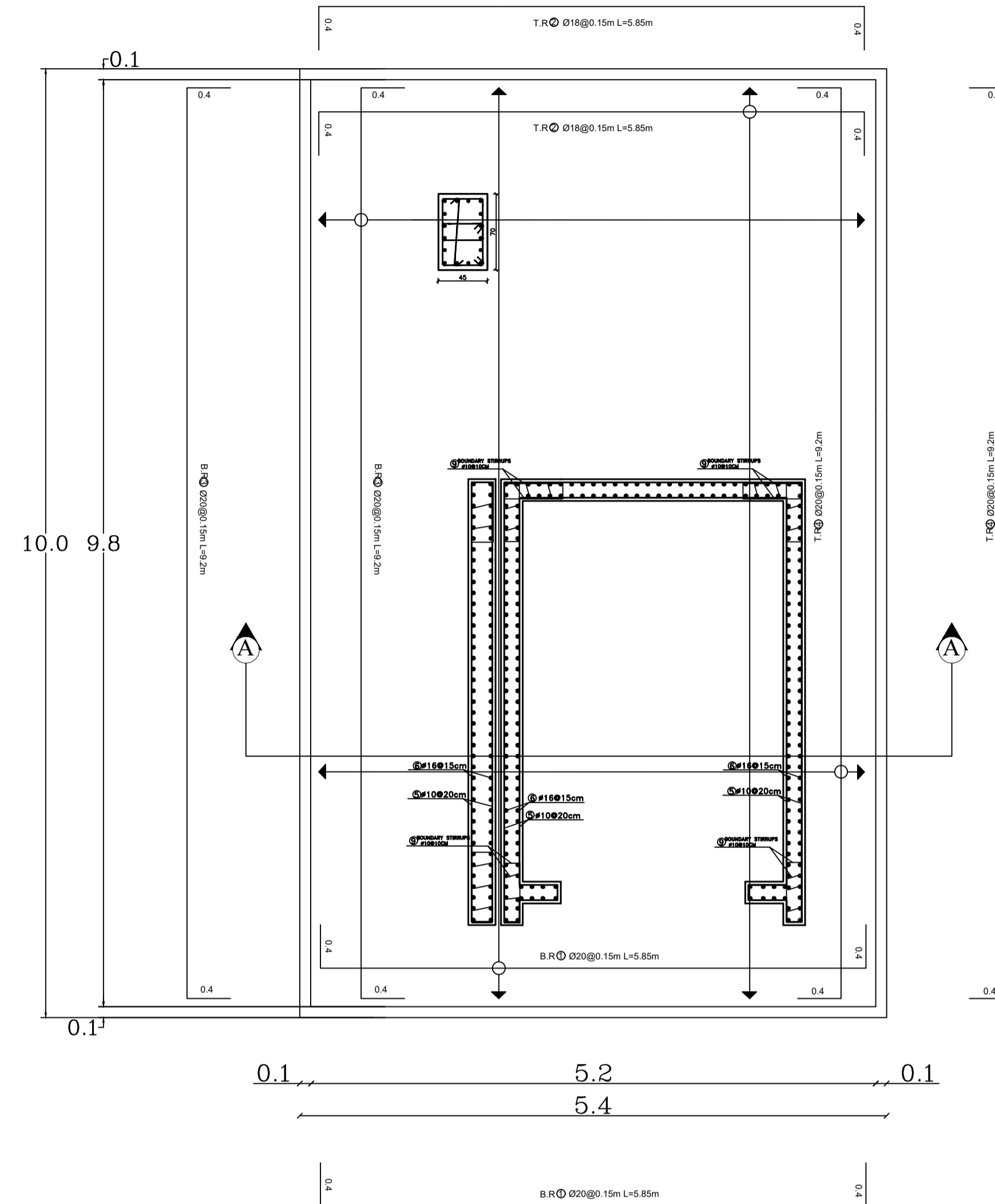
Matt FOOTING4



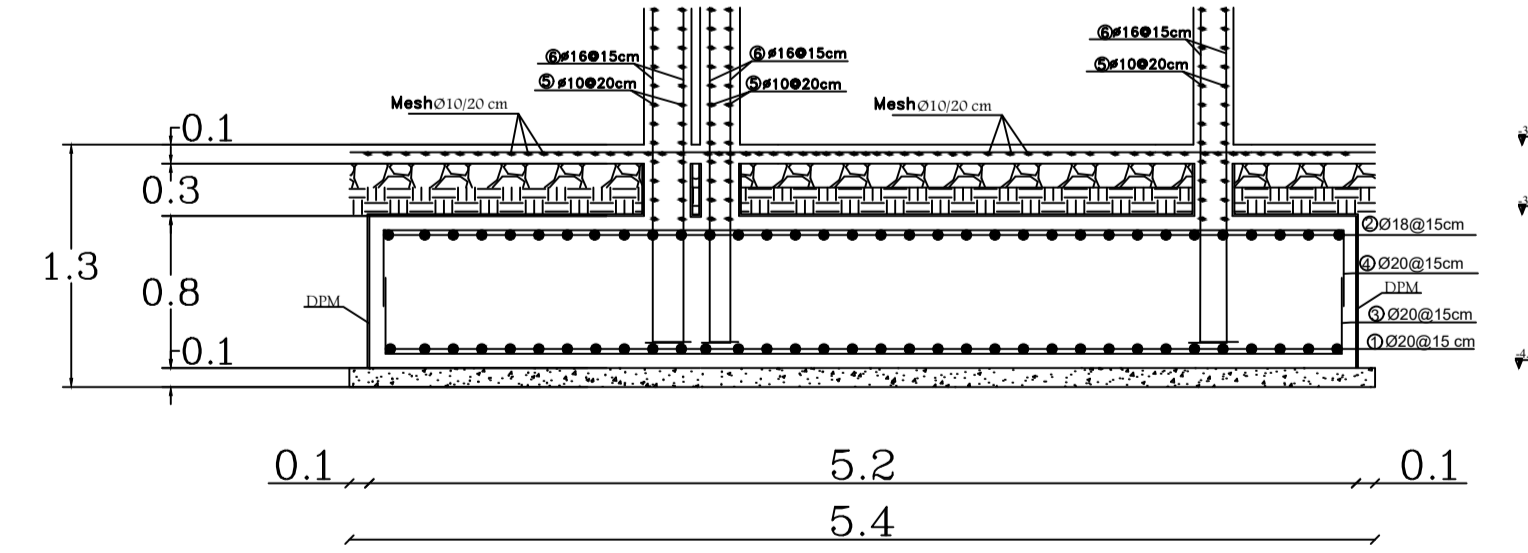
SECTION A-A
SCALE 1:25



Matt FOOTING5



SECTION A-A
SCALE 1:25

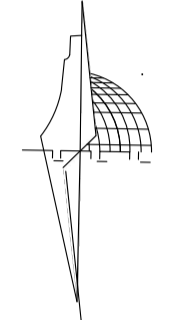


Palestine Polytechnic University

Engineering College

Civil Engineering

N



Supervised by :

Eng. Inas Shweki

Designed by:

Maisa Al-Atrash
205148

Sojoud Rjoob
185293

Note :

Project name:

Al-Samu Hospital

Drawing title :

FOOTINGS DETAILS

Sheet NO. S04-H

Units cm

Scale 1:25

Date January-2024

TABLE # : COLUMNS DIMENSIONS AND REINFORCEMENT

Groups No.	Column Detailing	Groups No.	Column No.	End At Floor No.	Groups No.	Column Detailing	Groups No.	Column No.	End At Floor No.
G1 "990KN"	<p>"Section For All Floors"</p> <p>SCALE 1 : 25</p>	G1-A	C17/C23/C38	R.F	G2 "1900KN"	<p>"Section For All Floors"</p> <p>SCALE 1 : 25</p>	G2-A	C12/C13/C40/C42 C49/C53/C61 C67/C70/C74 C1/C3/C4/C15	R.F
		G1-B	C7/C11/C16/C18 C19/C60/C71/C90	R.F			G2-B	C76/C77	S.F
		G1-C	C80/C81/C82/C83 C84/C85/C86 C87/C88	B.F					
		G1-D	C79/C89	G.F					
		G1-E	C75/C78	S.F					
G3 "3000KN"	<p>"Section For All Floors"</p> <p>SCALE 1 : 25</p>	G3-A	C6/C14/C25/C26 C34/C36/C45/C48 C54/C55/C69 C8/C10/C30/C44 C52/C56/C59 C64/C73	R.F	G4 "3800KN"	<p>"Section For All Floors"</p> <p>SCALE 1 : 25</p>	G4-A	C2/C5/C27/C29 C32/C35/C68 C20/C51/C57/C58 C63/C72	R.F
G5 "4900KN"	<p>"Section For All Floors"</p> <p>SCALE 1 : 25</p>	G5-A	C22/C46 C39/C50/C62	R.F	G6 "5900KN"	<p>"Section For All Floors"</p> <p>SCALE 1 : 25</p>	G6-A	C28 C31/C37	R.F
G7 "6800KN"	<p>"Section For All Floors"</p> <p>SCALE 1 : 25</p>	G7-A	C9/C21/C24/C33 C43	R.F	G8 "1900KN"	<p>"Section For All Floors"</p> <p>SCALE 1 : 25</p>	G8	C65/C66	T.F
G9 "5900KN"	<p>A circular column to ground floors then changes to a rectangular column (G6-A) in the remaining floors</p> <p>SCALE 1 : 25</p>	G9	C41/C47	R.F					

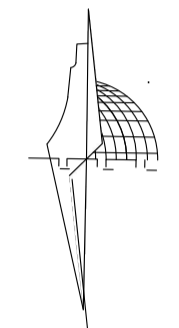


Palestine Polytechnic University

Engineering College

Civil Engineering

N



Supervised by :

Eng. Inas Shweki

Designed by:

Maisa Al-Atrash

205148

Sojoud Rjoob

185293

Note :

Project name:

Al-Samu Hospital

Drawing title :

COLUMNS DETAILS
(TABLE OF REINF.)

Sheet NO. S05-A

Units cm

Scale 1:25

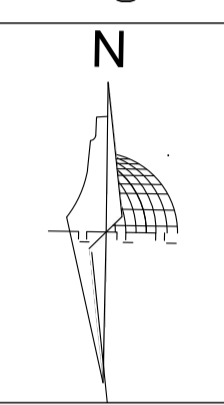
Date January-2024



Palestine Polytechnic University

Engineering College

Civil Engineering



Supervised by :
Eng. Inas Shweki

Designed by:
Maisa Al-Atrash 205148
Sojoud Rjoob 185293

Note :
- SEE COLUMN DETAILS IN SHEET ###
- LAP SPLICES LOCATED AT ABOVE OF SLAB
- POINT OF BEND LOCATED AT BELOW OF BEAM
- ALL BARS ARE BEND INWARDS AT 1.6 : 50.

Project name:
Al-Samu Hospital

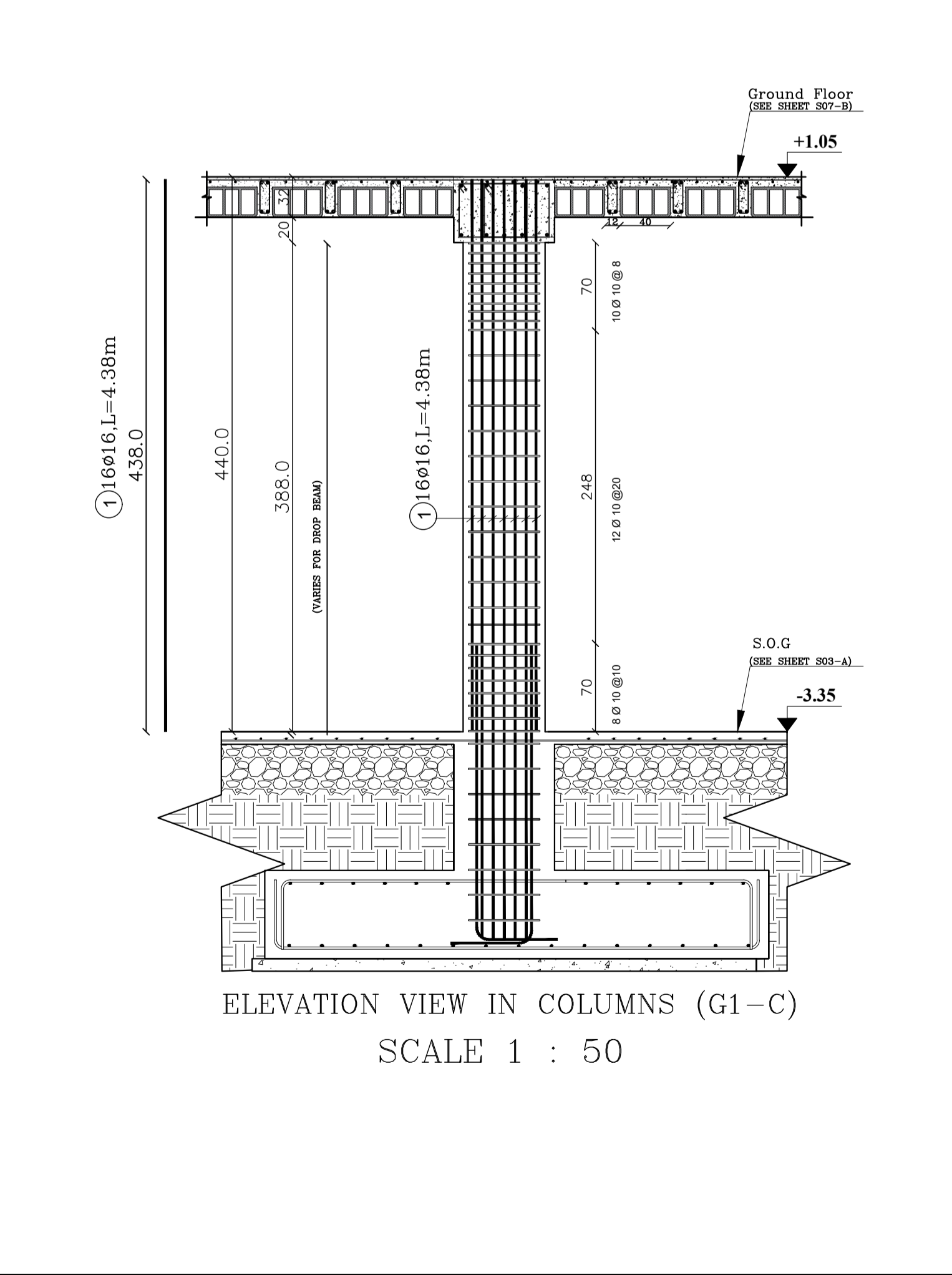
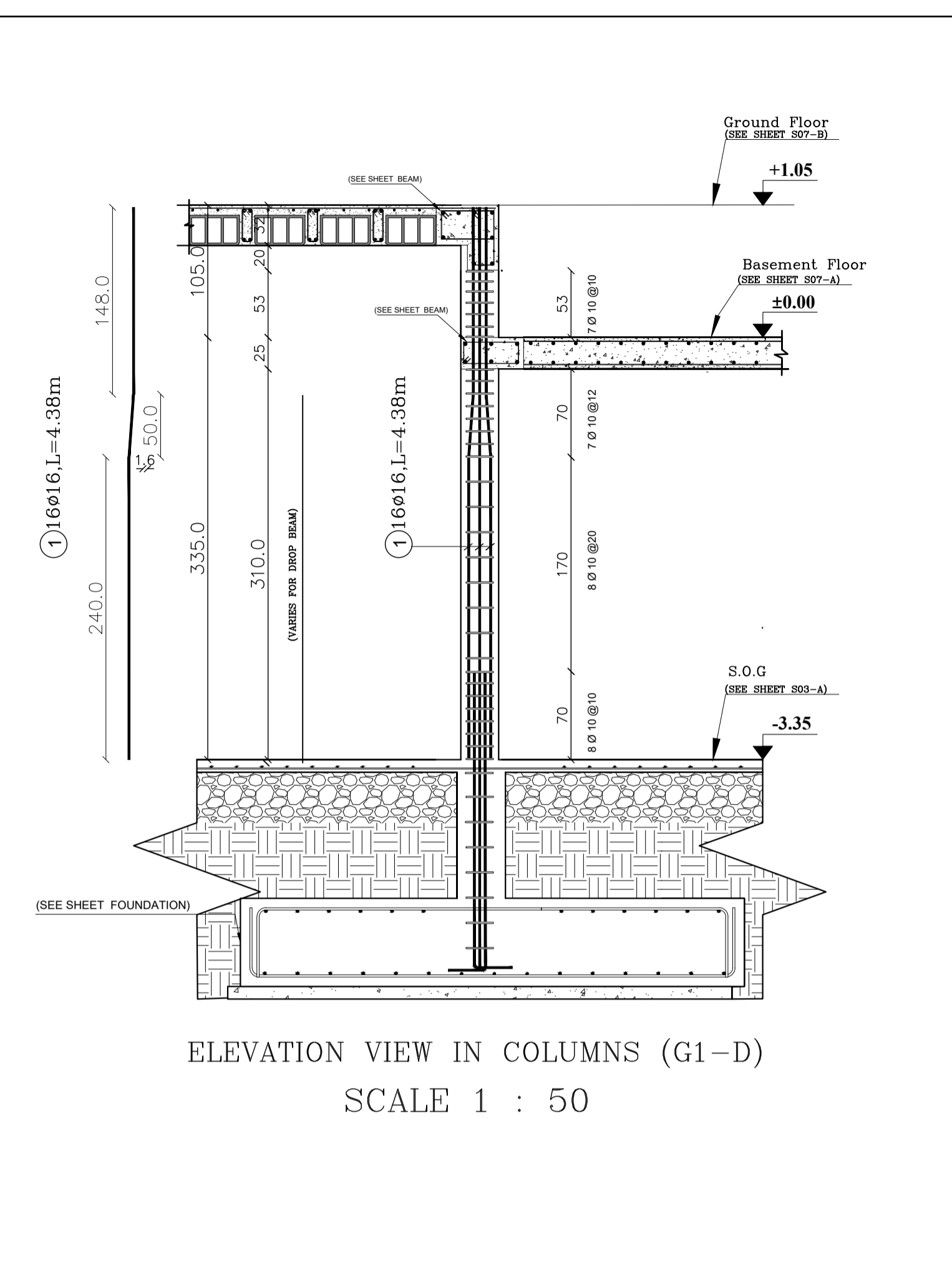
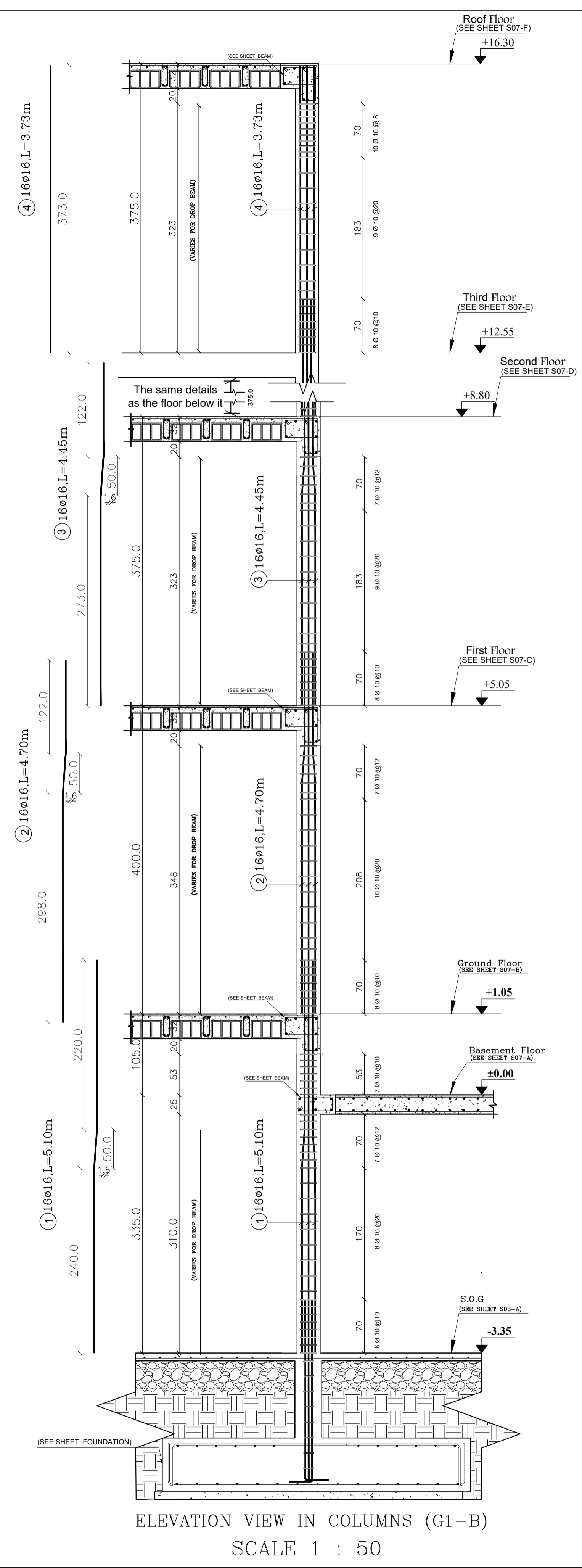
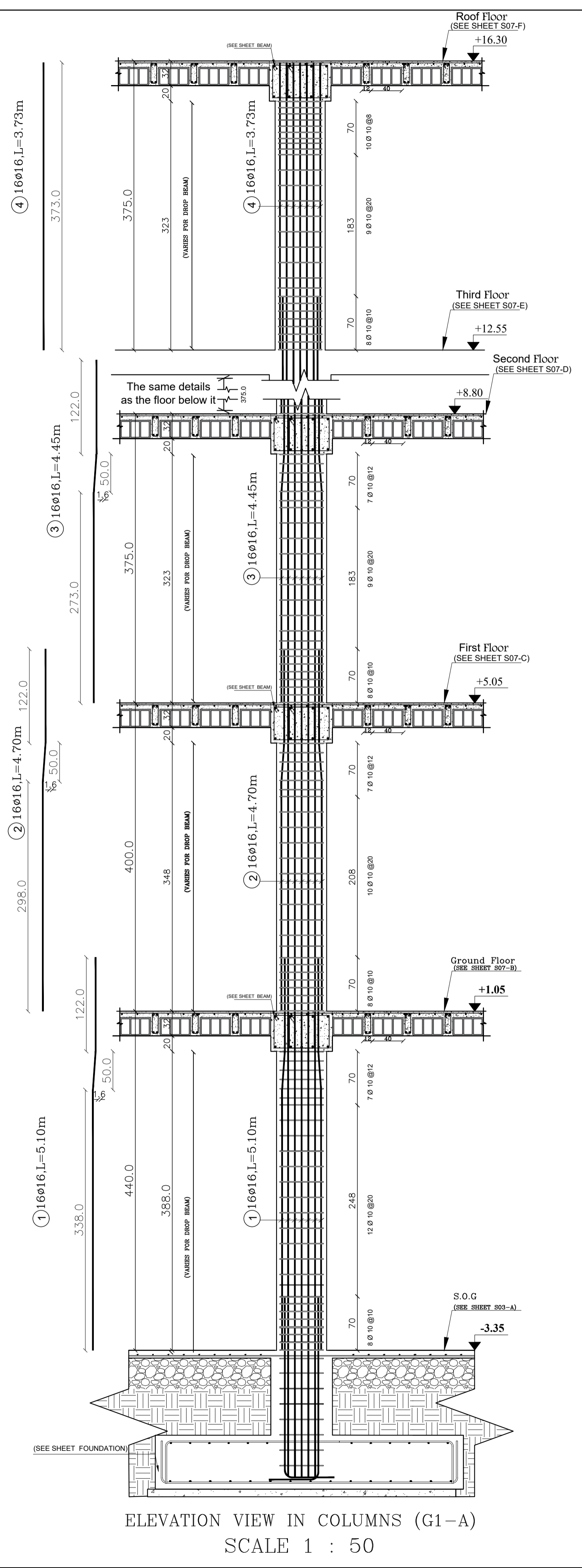
Drawing title :
COLUMNS DETAILS

Sheet NO. S04-B

Units cm

Scale 1:50

Date January-2024

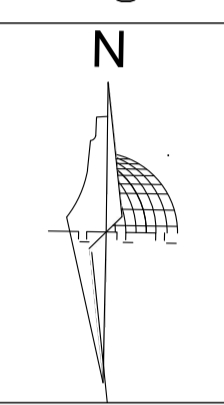




Palestine Polytechnic University

Engineering College

Civil Engineering



Supervised by :

Eng. Inas Shweki

Designed by:

Maisa Al-Atrash
205148

Sojoud Rjoob
185293

Note :

- SEE COLUMN DETAILS
IN SHEET ###

Project name:

Al-Samu Hospital

Drawing title :

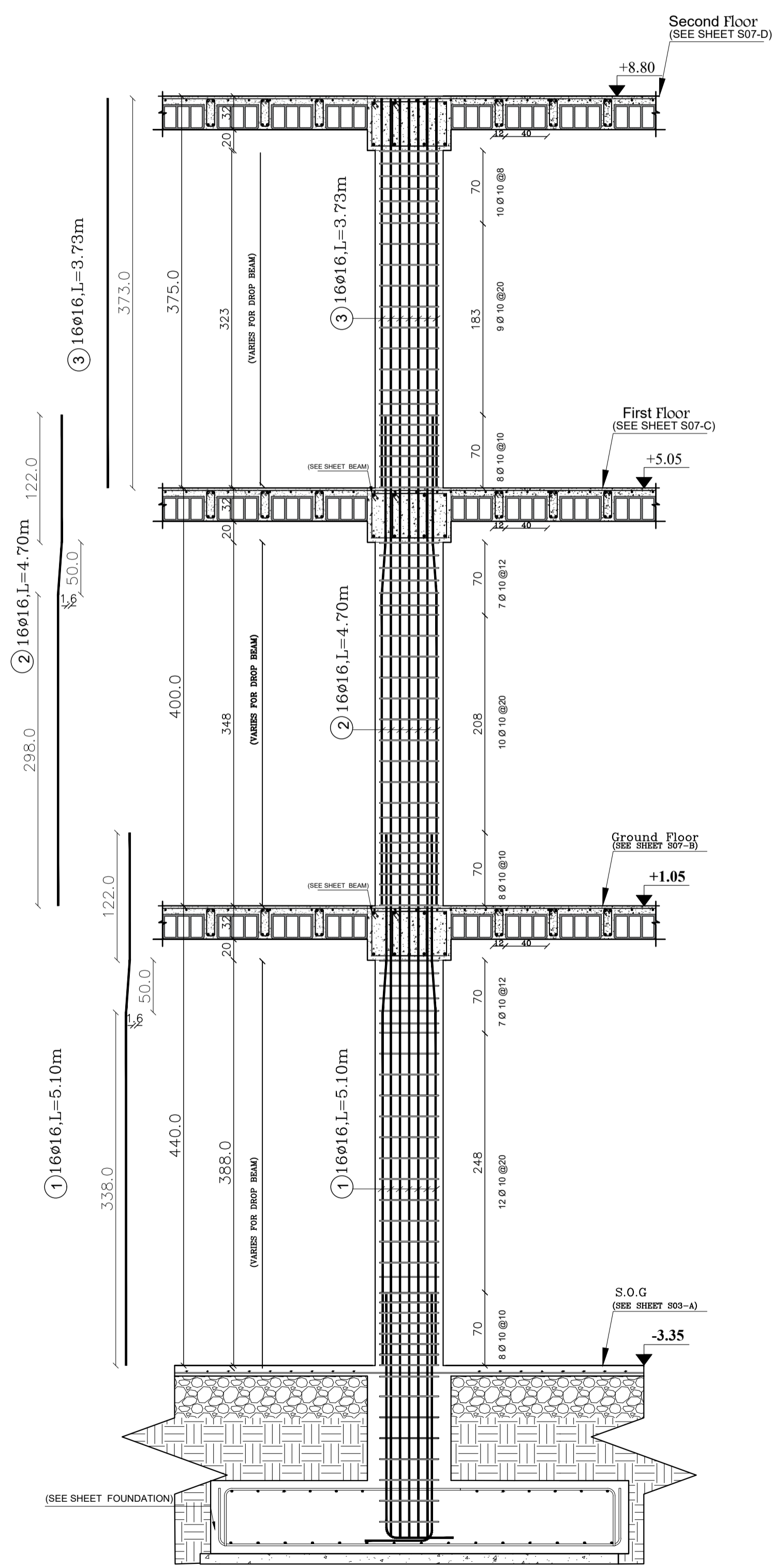
COLUMNS DETAILS

Sheet No. S04-C

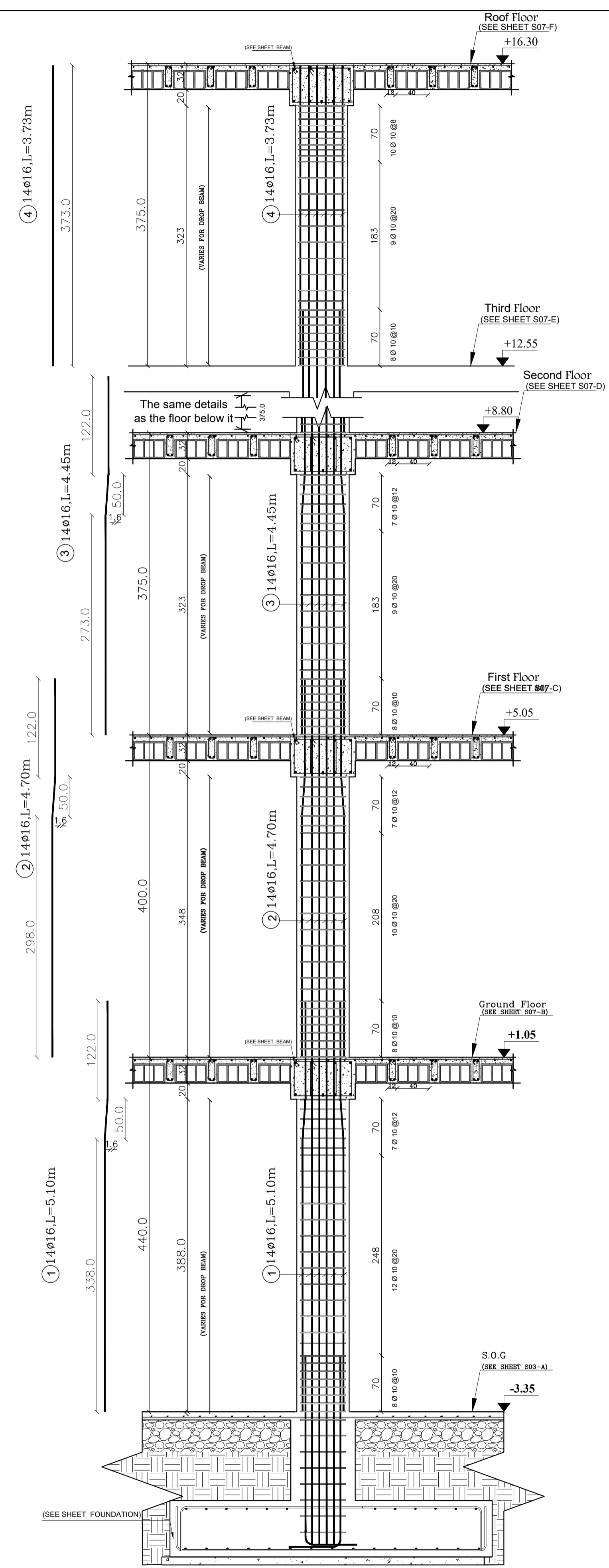
Units cm

Scale 1:50

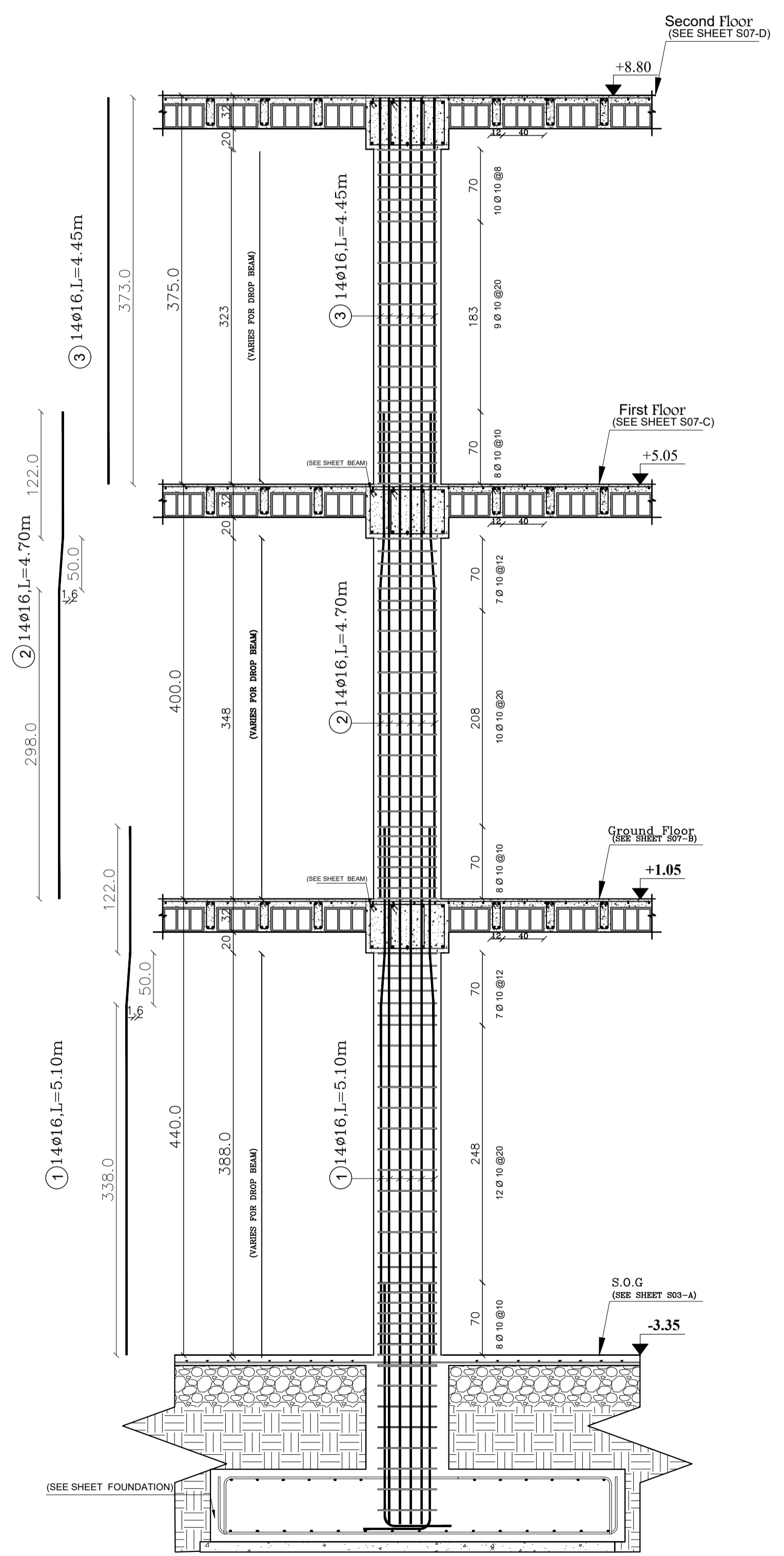
Date January-2024



ELEVATION VIEW IN COLUMNS (G1-E)
SCALE 1 : 50

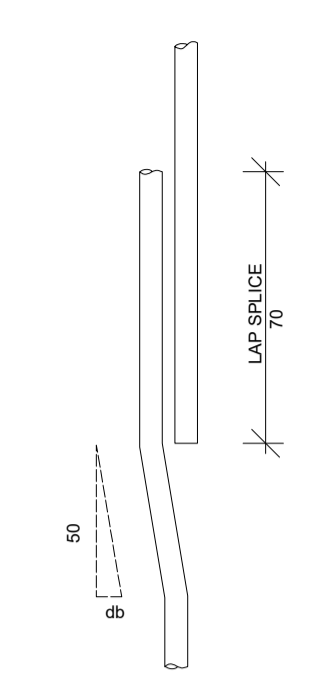


ELEVATION VIEW IN COLUMNS (G2-A)
SCALE 1 : 50



ELEVATION VIEW IN COLUMNS (G2-B)
SCALE 1 : 50

- ALL BARS ARE BEND
IWARDS AT db : 50.
- LAP SPLICES LOCATED AT
ABOVE OF SLAB
- POINT OF BEND LOCATED AT
BELOW OF BEAM

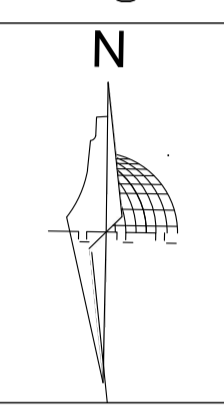




Palestine Polytechnic University

Engineering College

Civil Engineering



Supervised by :

Eng. Inas Shweki

Designed by:

Maisa Al-Atrash

205148

Sojoud Rjoob

185293

Note :

- SEE COLUMN DETAILS
IN SHEET ###

Project name:

Al-Samu Hospital

Drawing title :

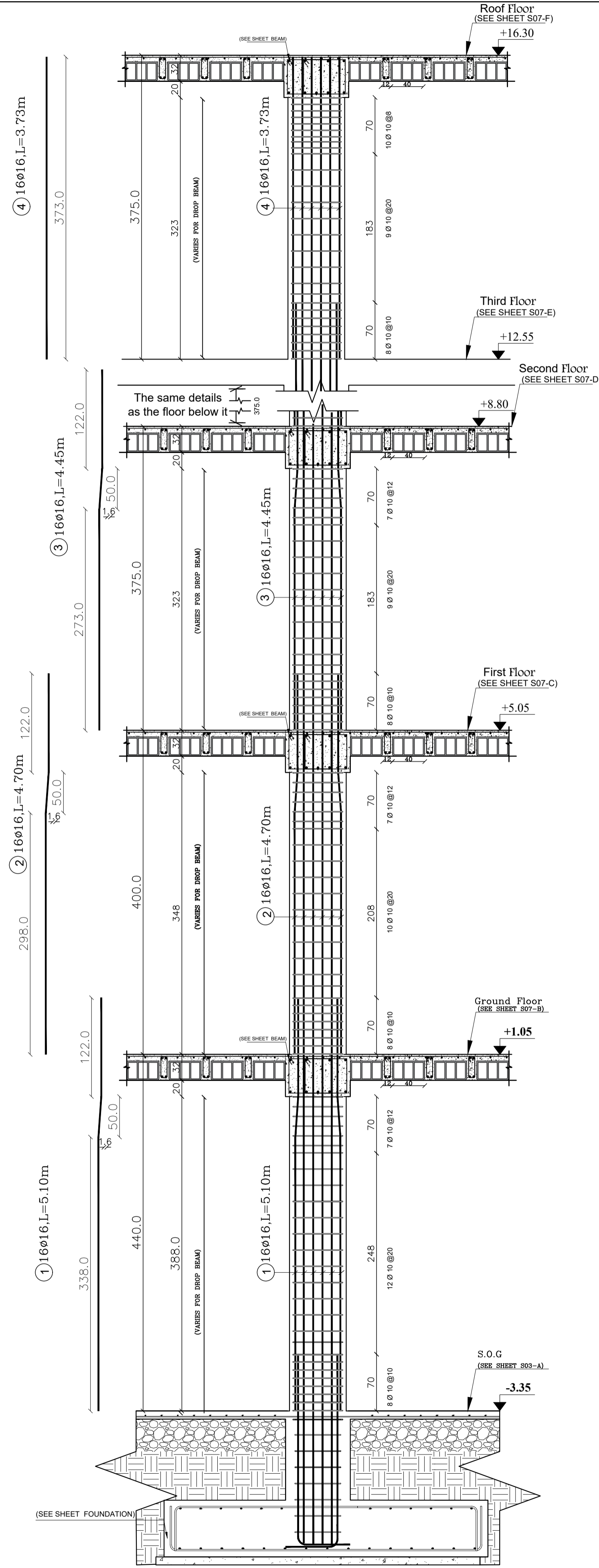
COLUMNS DETAILS

Sheet NO. S04-D

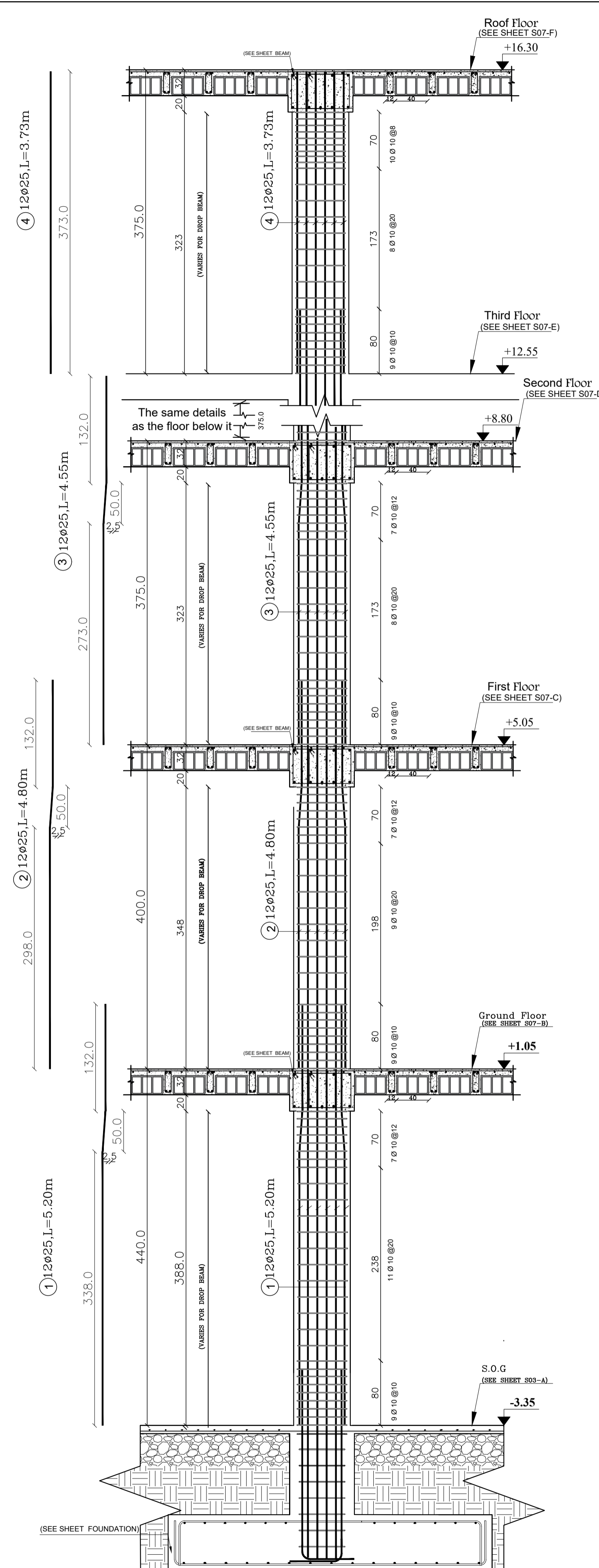
Units cm

Scale 1:50

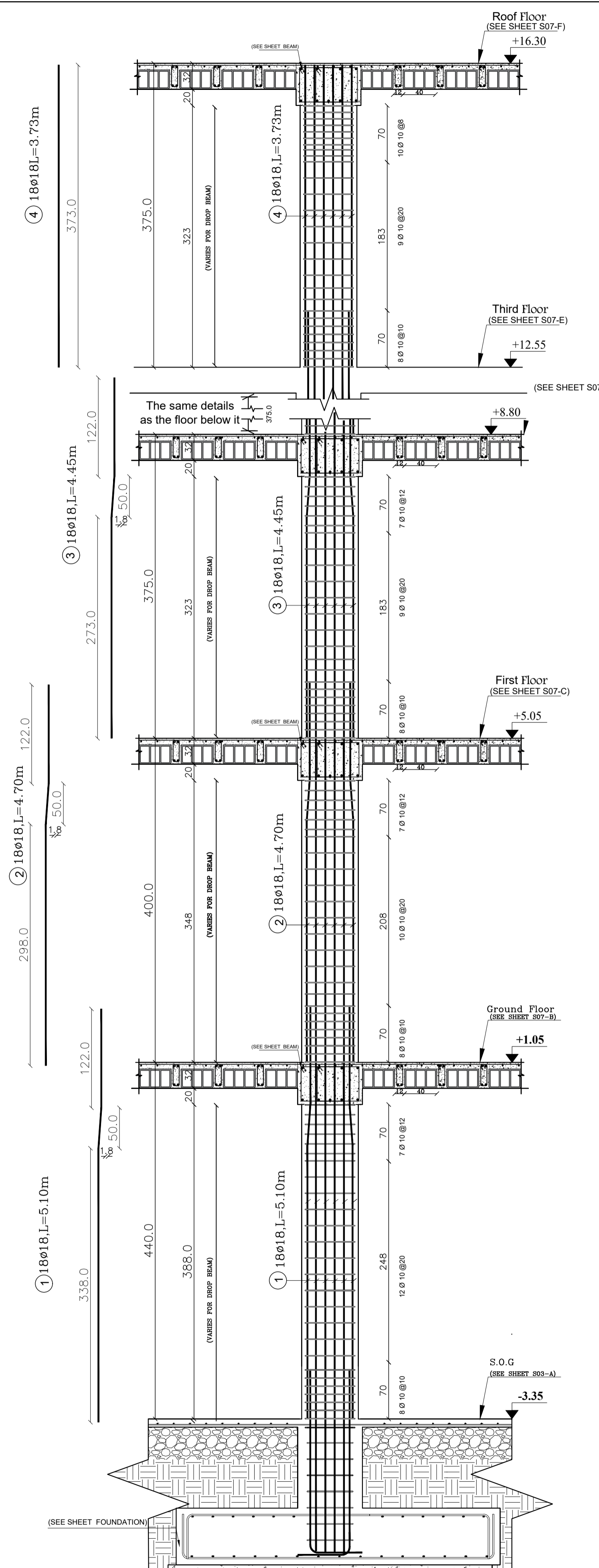
Date January-2024



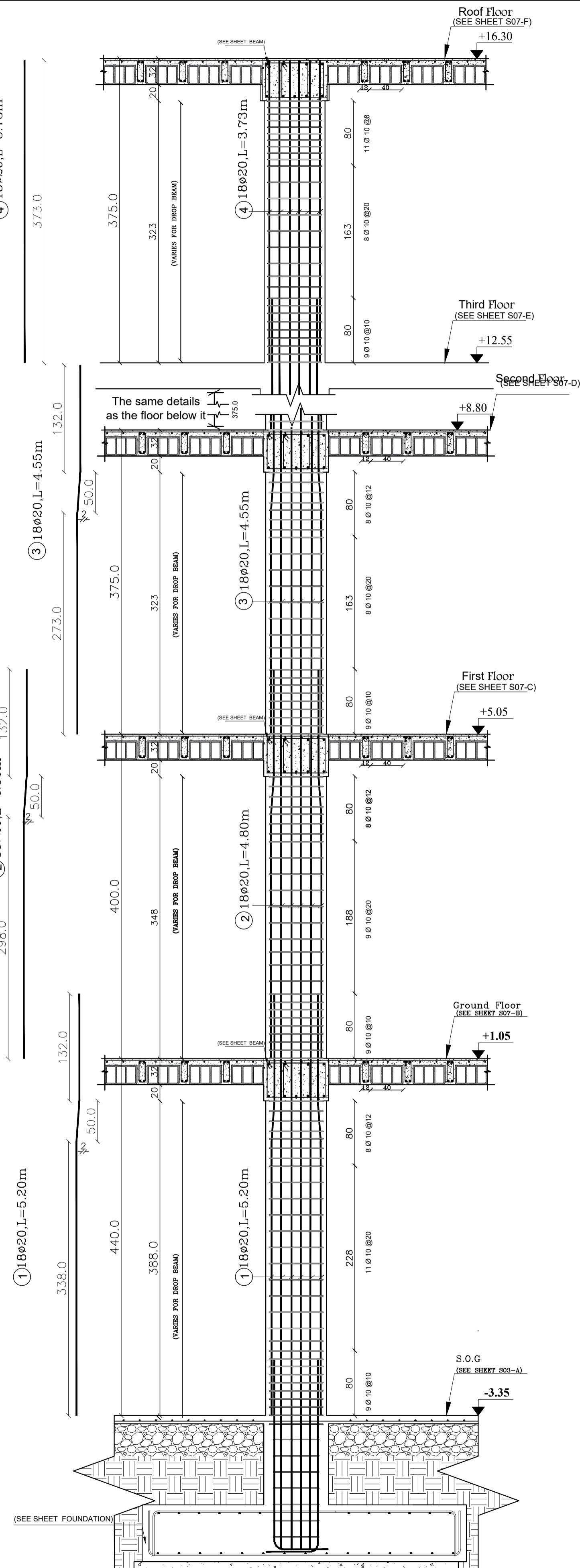
ELEVATION VIEW IN COLUMNS (G3-A)
SCALE 1 : 50



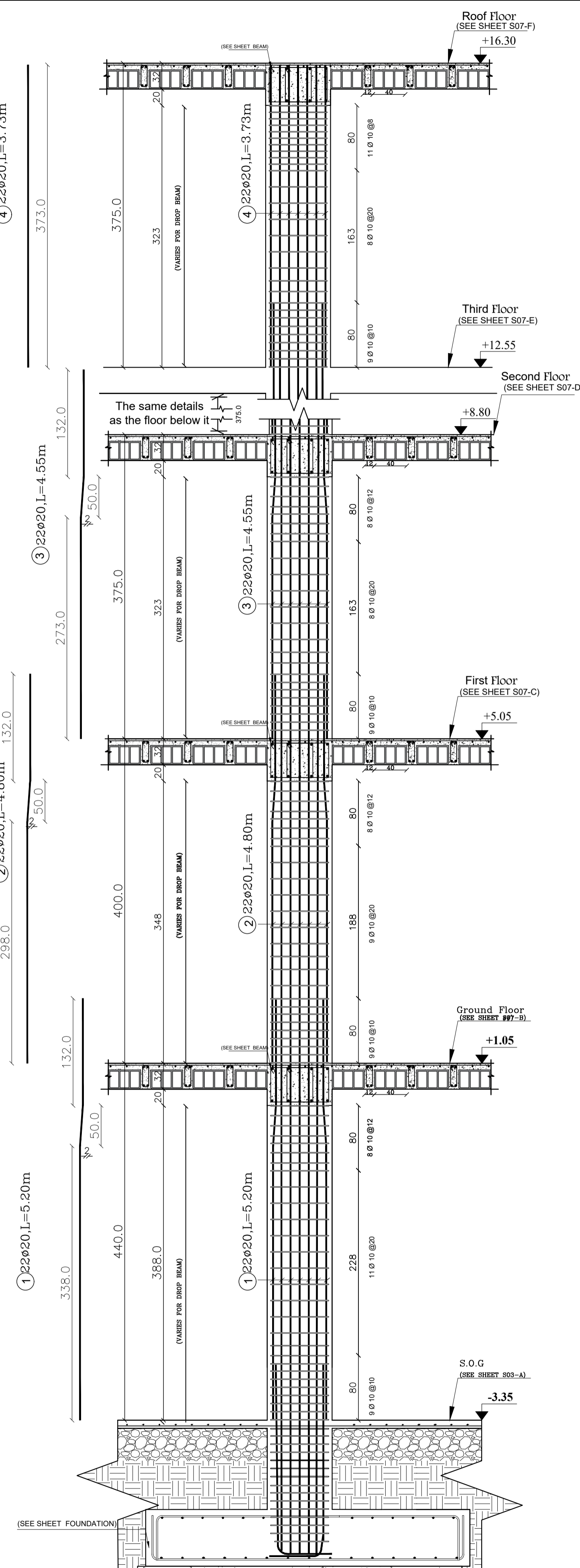
ELEVATION VIEW IN COLUMNS (G4-A)
SCALE 1 : 50



ELEVATION VIEW IN COLUMNS (G5-A)
SCALE 1 : 50



ELEVATION VIEW IN COLUMNS (G6-A)
SCALE 1 : 50



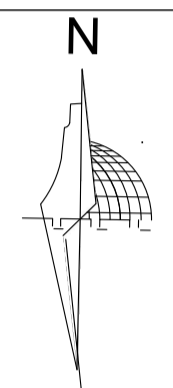
ELEVATION VIEW IN COLUMNS (G7-A)
SCALE 1 : 50



Palestine Polytechnic University

Engineering College

Civil Engineering



Supervised by :

Eng. Inas Shweki

Designed by:

Maisa Al-Atrash
205148

Sojoud Rjoob
185293

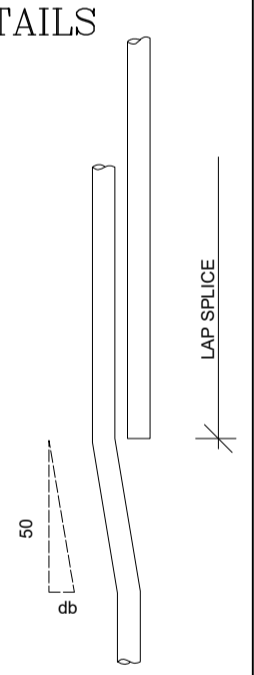
Note :

- SEE COLUMN DETAILS
IN SHEET ###

- LAP SPLICES
LOCATED AT
ABOVE OF SLAB

- POINT OF BEND
LOCATED AT
BELOW OF BEAM

- ALL BARS ARE
BEND INWARDS
AT db : 50.



Project name:

Al-Samu Hospital

Drawing title :

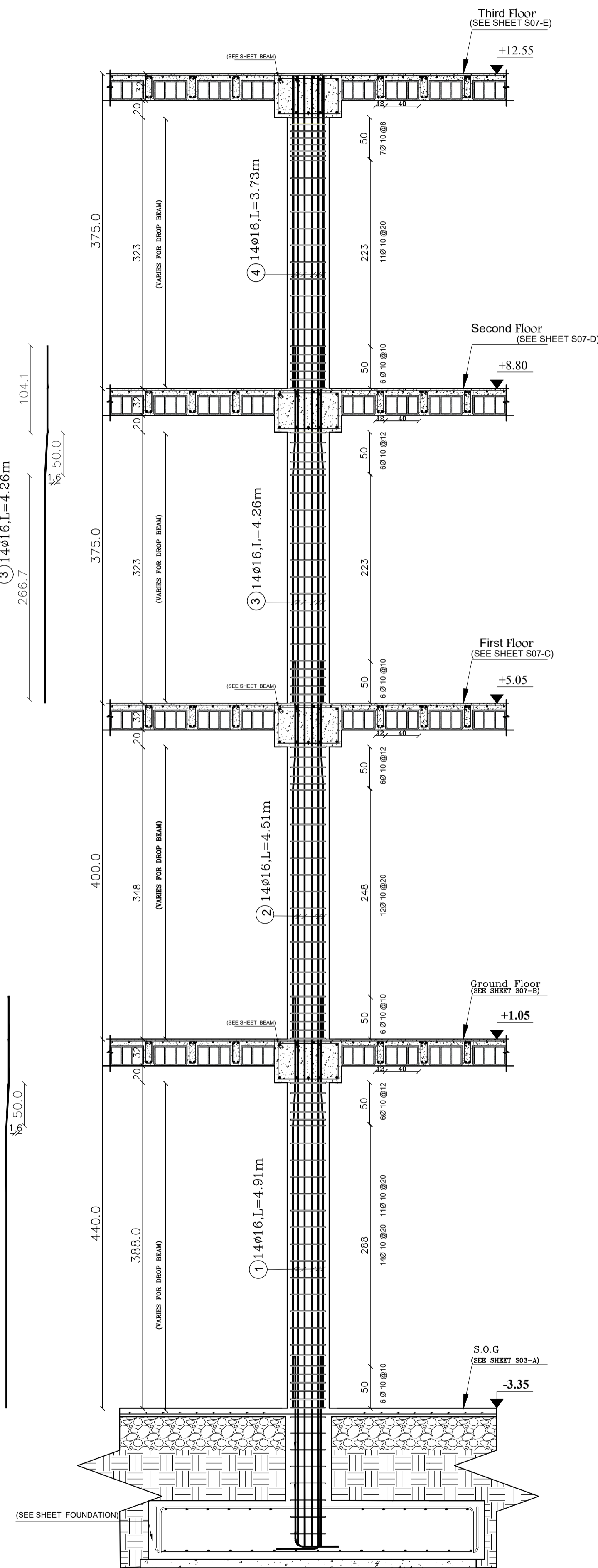
COLUMNS DETAILS

Sheet NO. S04-E

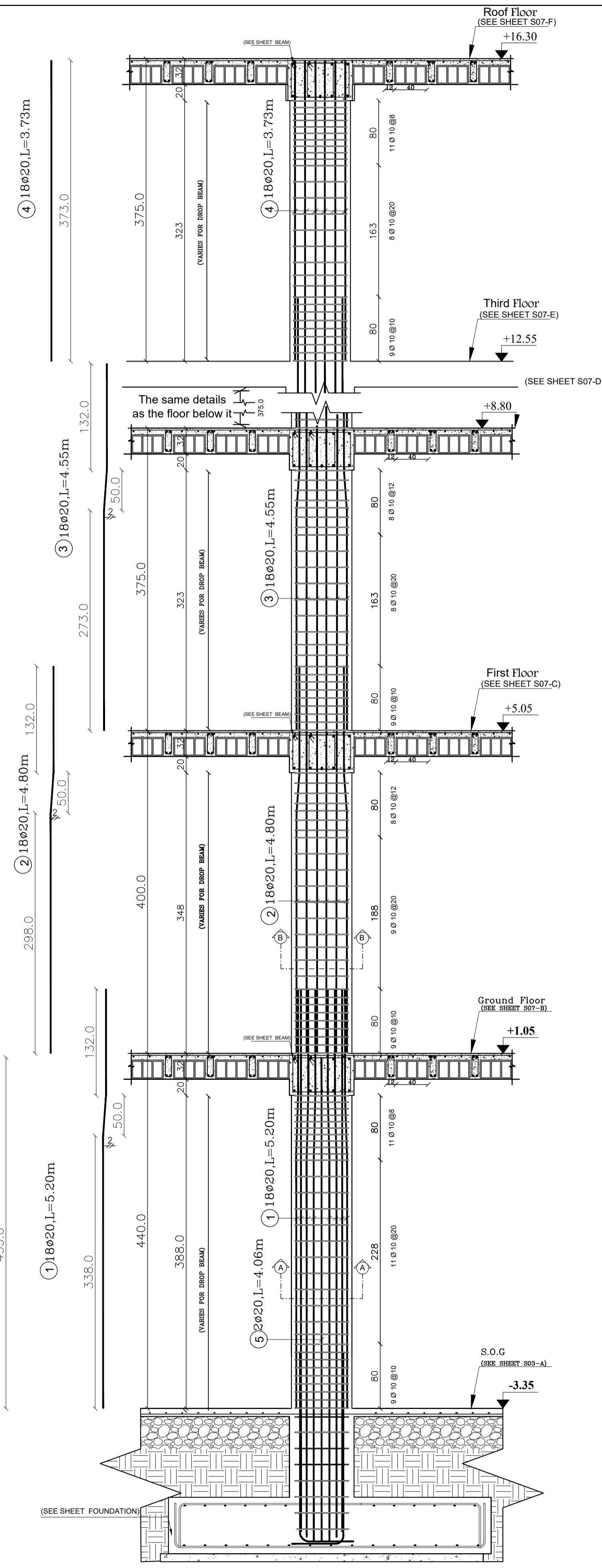
Units cm

Scale 1:50

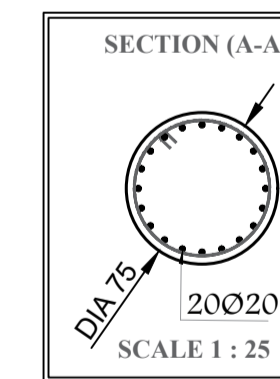
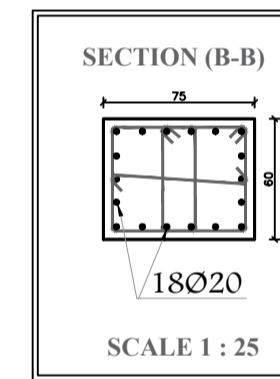
Date January-2024



ELEVATION VIEW IN COLUMNS (G8)
SCALE 1 : 50



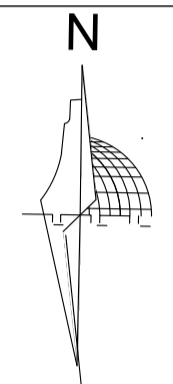
ELEVATION VIEW IN COLUMNS (G9)
SCALE 1 : 50



Palestine Polytechnic University

Engineering College

Civil Engineering



Supervised by :

Eng. Inas Shweki

Designed by:

Maisa Al-Atrash
205148

Sojoud Rjoob
185293

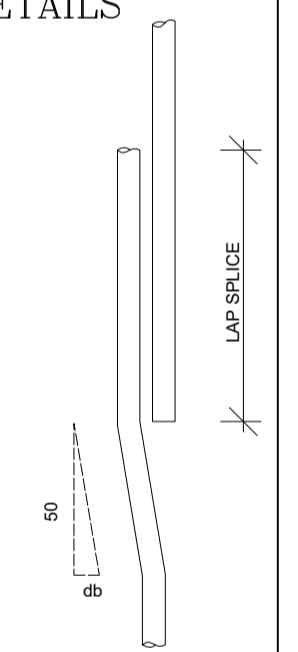
Note :

- SEE COLUMN DETAILS
IN SHEET ###

- LAP SPLICES
LOCATED AT
ABOVE OF SLAB

- POINT OF BEND
LOCATED AT
BELOW OF BEAM

- ALL BARS ARE
BEND INWARDS
AT db : 50.



Project name:

Al-Samu Hospital

Drawing title :

COLUMNS DETAILS

Sheet NO. S04-F

Units cm

Scale 1:50

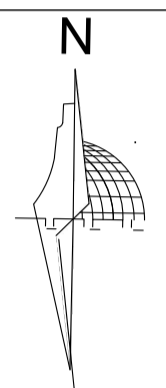
Date January-2024



Palestine Polytechnic University

Engineering College

Civil Engineering



Supervised by :

Eng. Inas Shweki

Designed by:

Maisa Al-Atrash
205148

Sojoud Rjoob
185293

Note :

Project name:

Al-Samu Hospital

Drawing title :

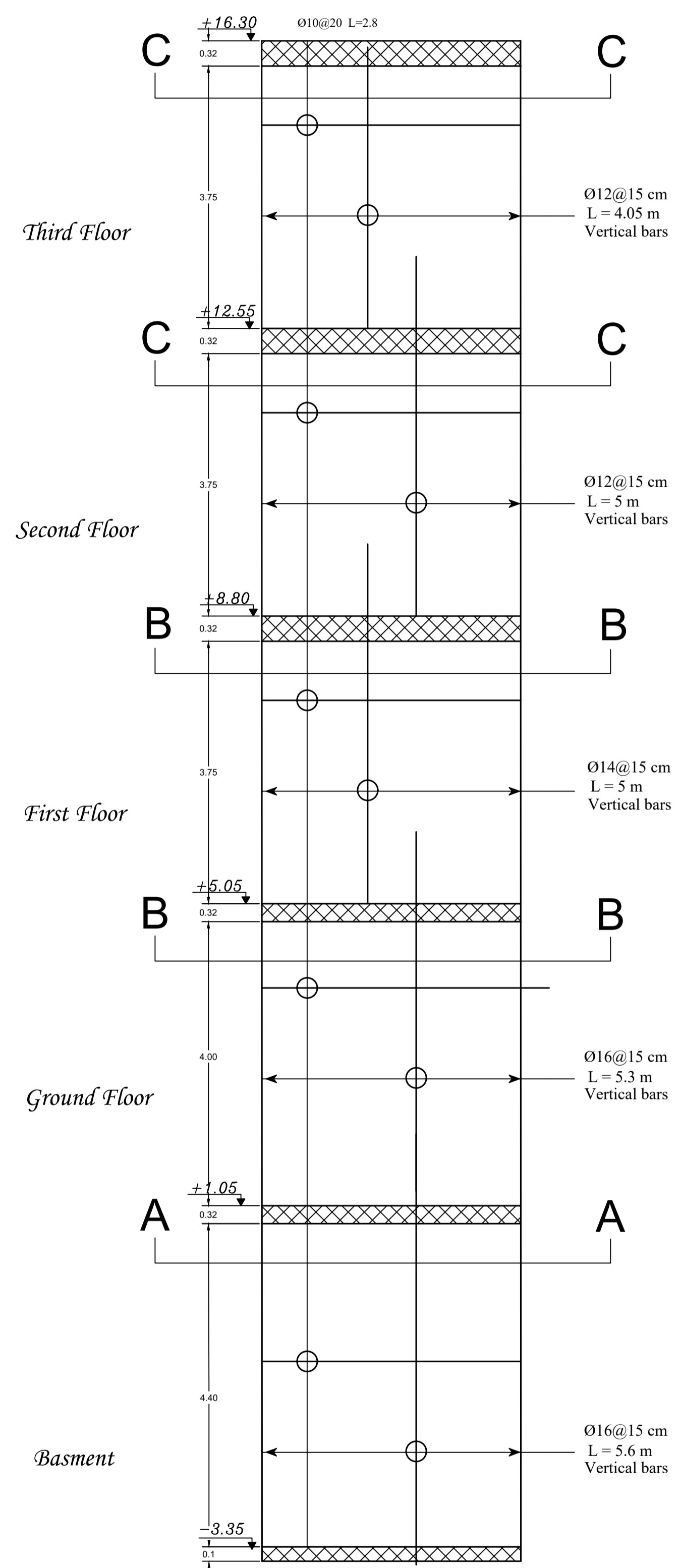
WALLS DETAILS
(SHEAR WALLS)

Sheet NO. S06-A

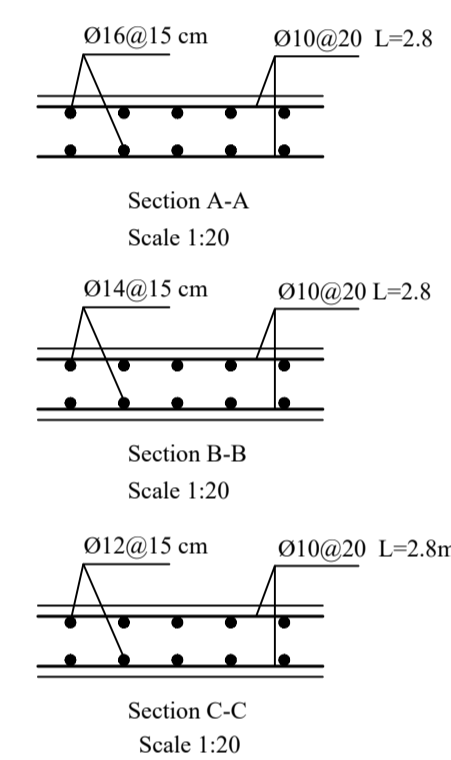
Units m

Scale 1:100

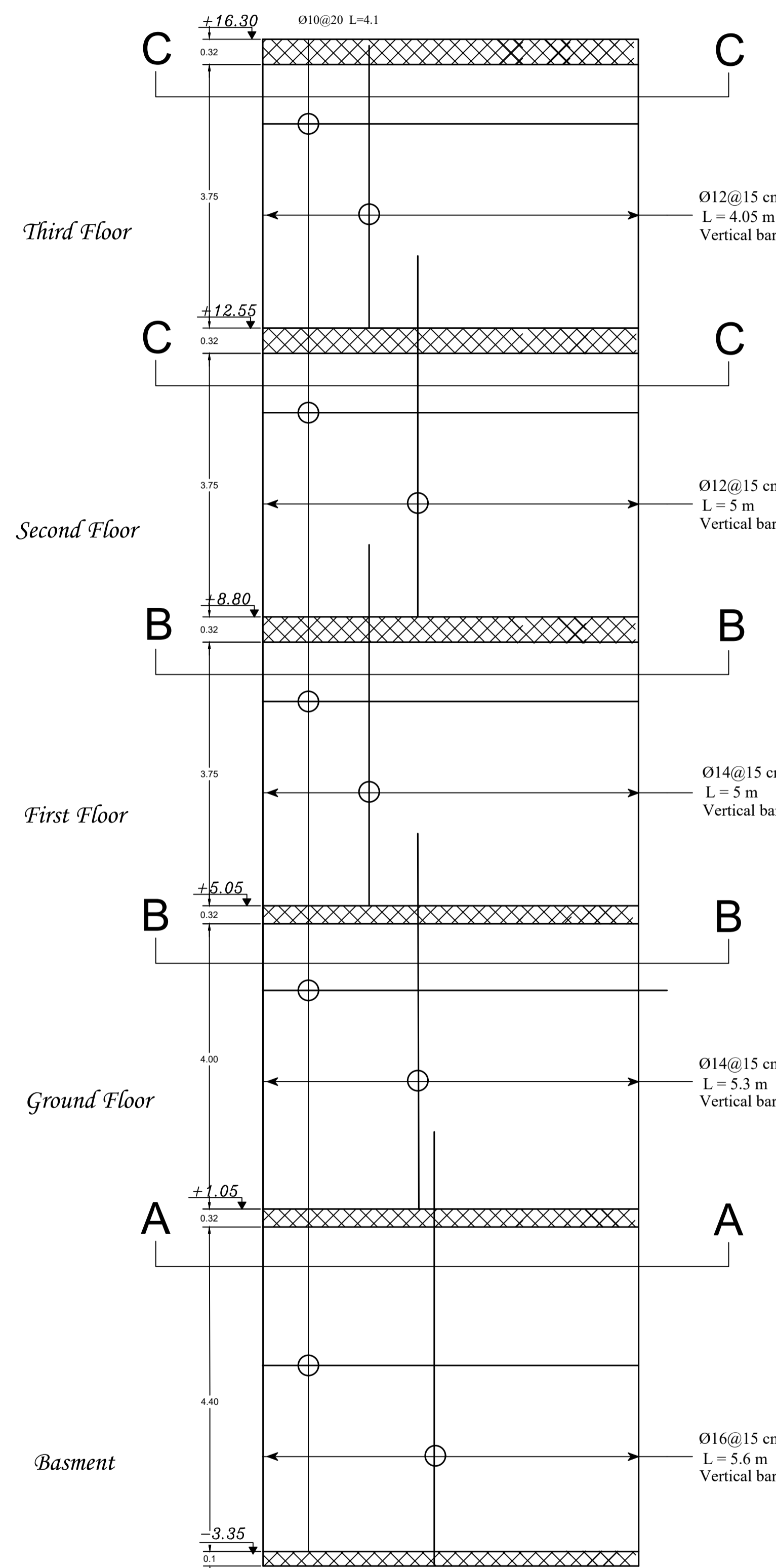
Date January-2024



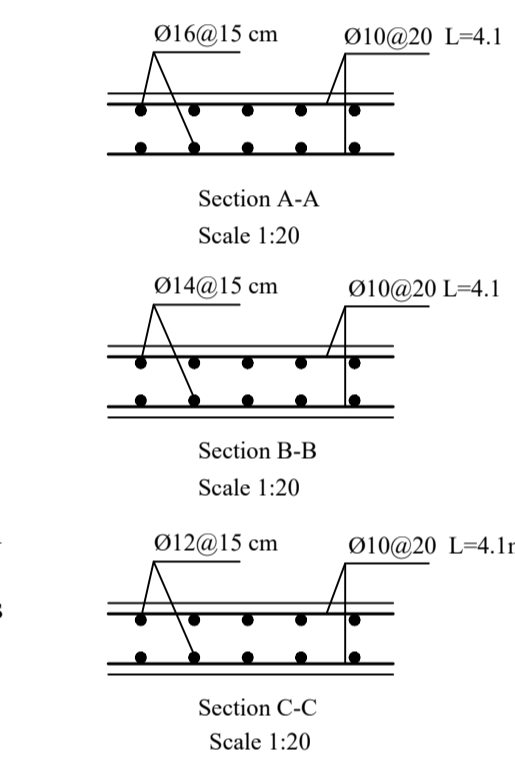
S.W1 & S.W2



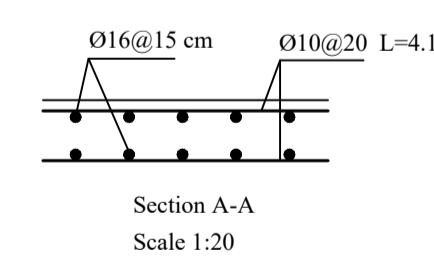
S.W1 & S.W2



S.W3 & S.W4
S.W5 & S.W6 & S.W7



S.W3 & S.W4
S.W5 & S.W6 & S.W7



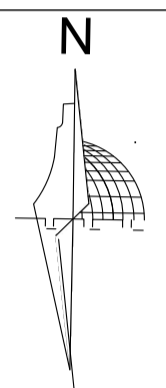
Section A-A
Scale 1:20



Palestine Polytechnic University

Engineering College

Civil Engineering



Supervised by :

Eng. Inas Shweki

Designed by:

Maisa Al-Atrash
205148

Sojoud Rjoob
185293

Note :

Project name:

Al-Samu Hospital

Drawing title :

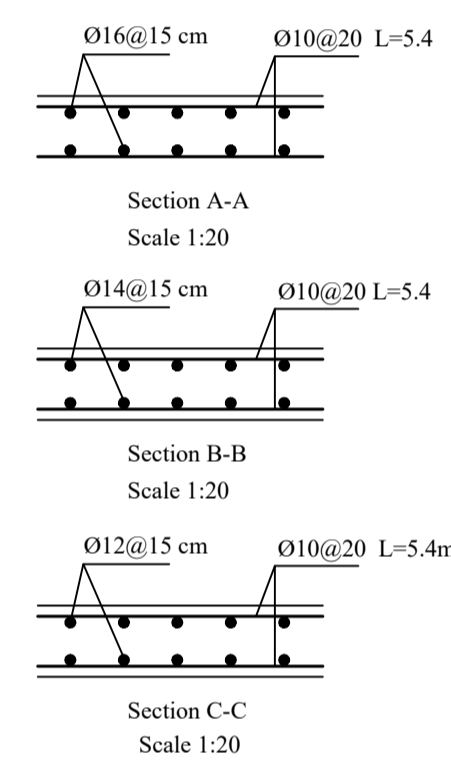
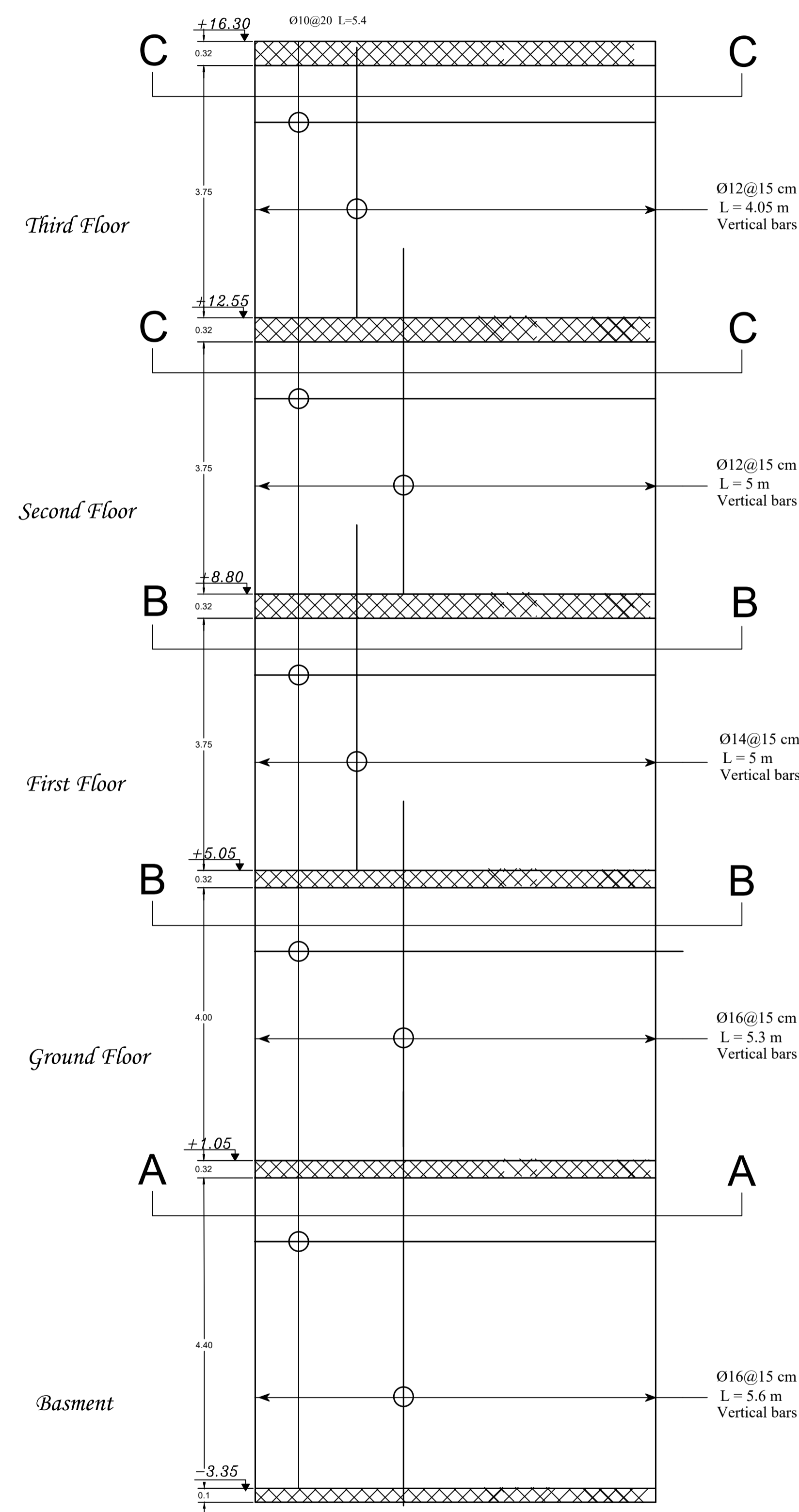
WALLS DETAILS
(SHEAR WALLS)

Sheet NO. S06-B

Units m

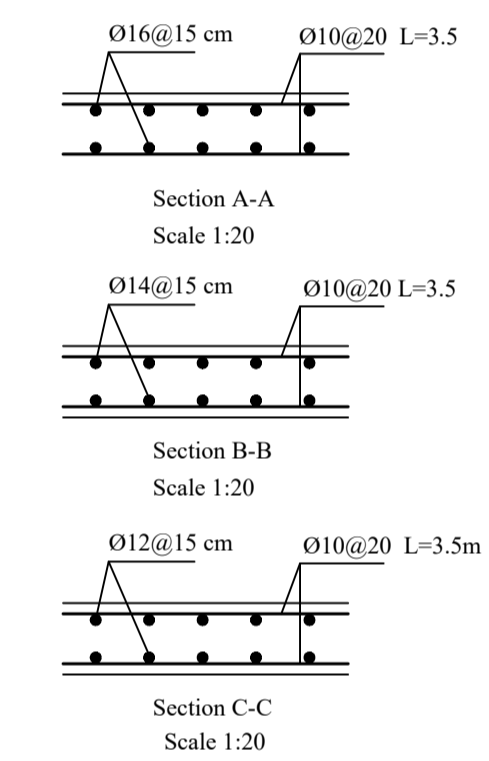
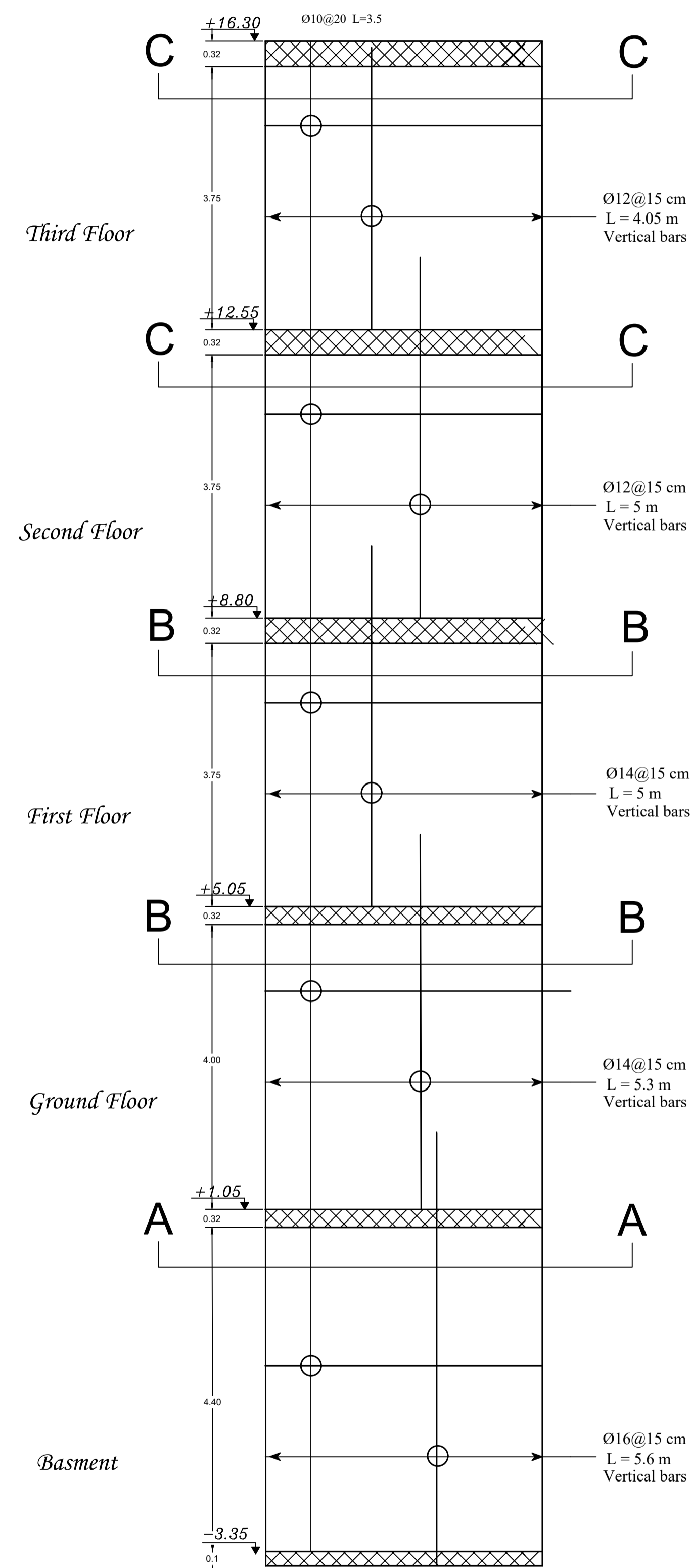
Scale 1:100

Date January-2024



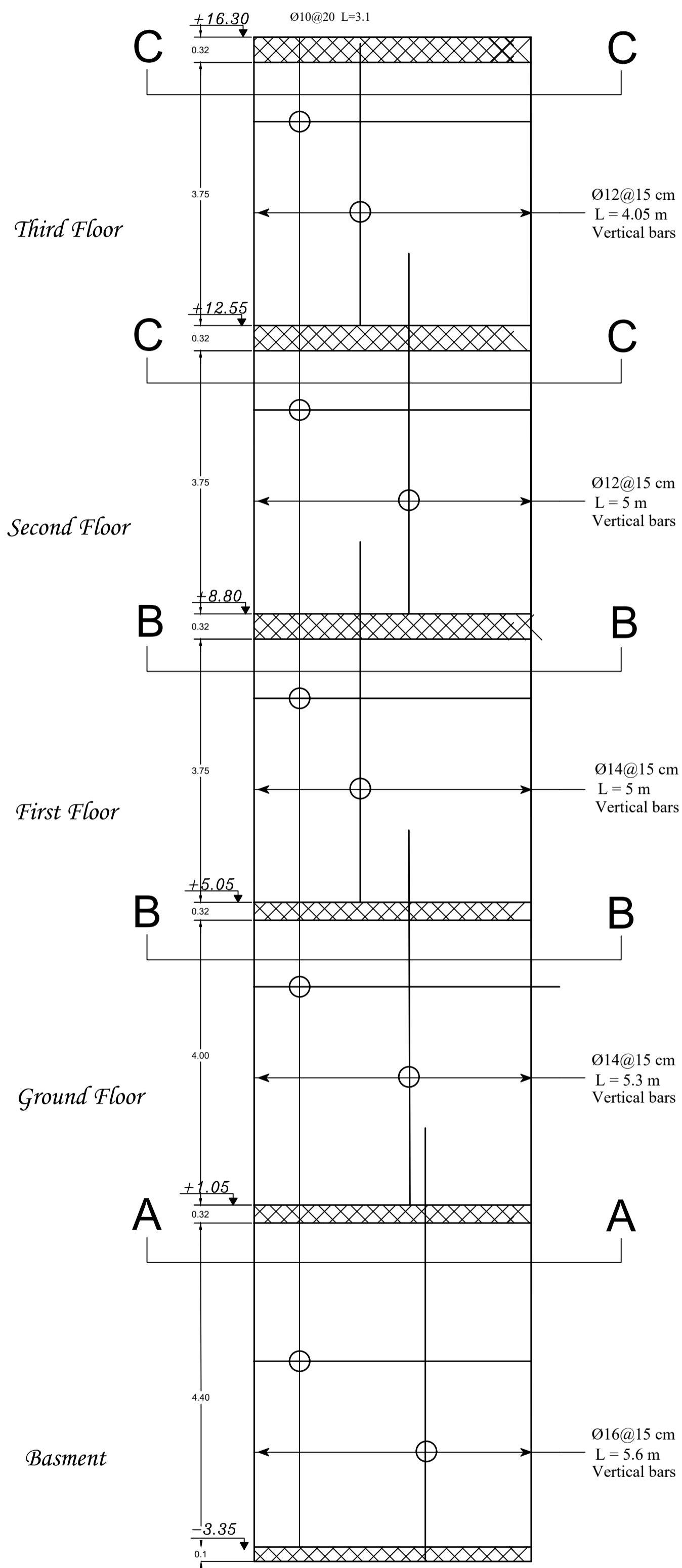
S.W8 & S.W10

S.W8 & S.W10

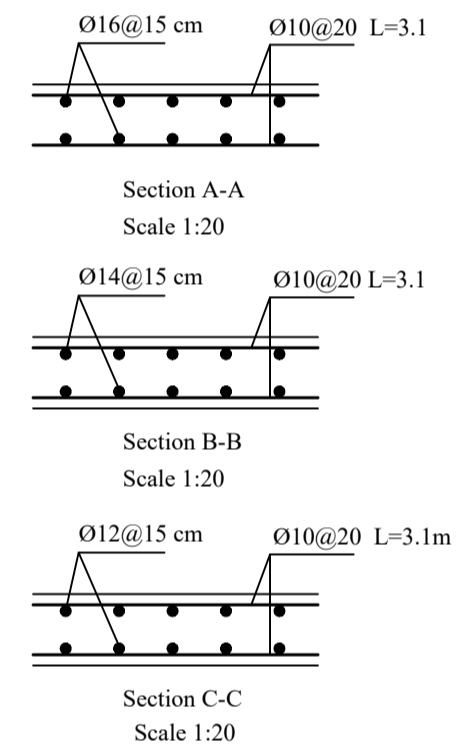


S.W9

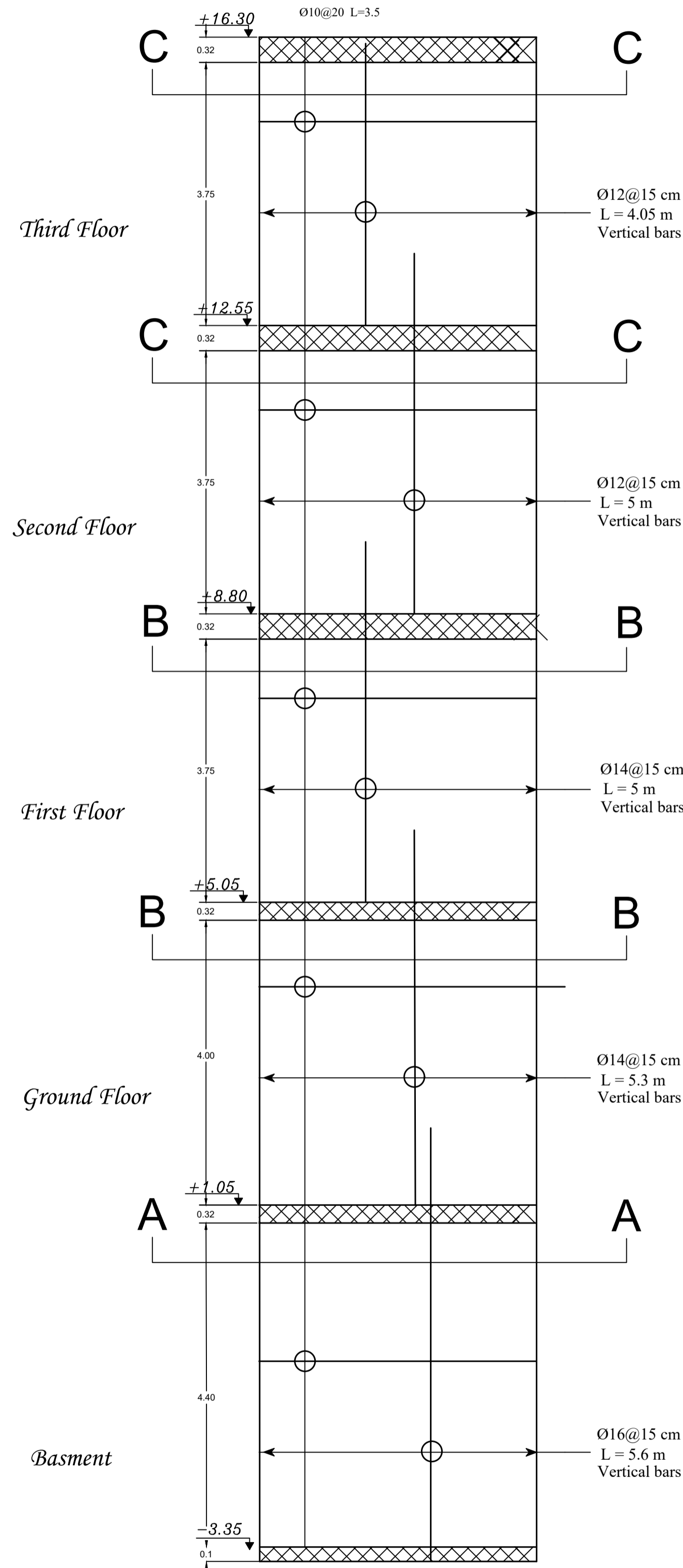
S.W9



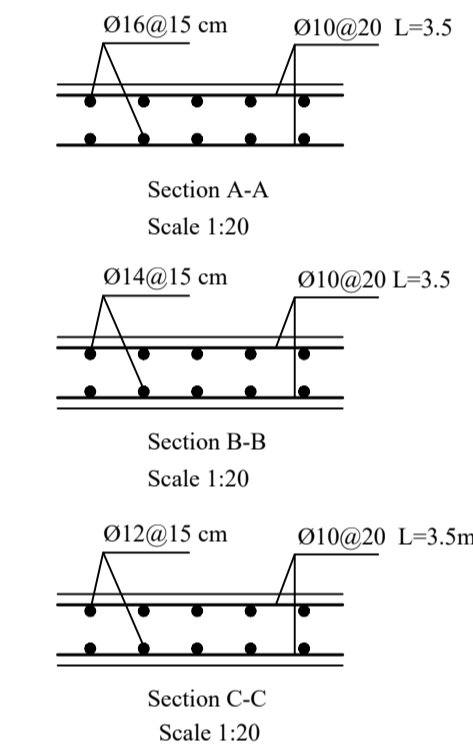
S.W11 & S.W12



S.W11 & S.W12



S.W14 & S.W15 & S.W17



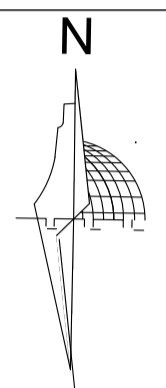
S.W14 & S.W15 & S.W17



Palestine Polytechnic University

Engineering College

Civil Engineering



Supervised by :

Eng. Inas Shweki

Designed by:

Maisa Al-Atrash
205148

Sojoud Rjoob
185293

Note :

Project name:

Al-Samu Hospital

Drawing title :

WALLS DETAILS
(SHEAR WALLS)

Sheet NO. S06-C

Units m

Scale 1:100

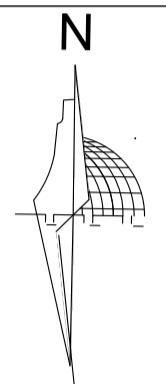
Date January-2024



Palestine Polytechnic University

Engineering College

Civil Engineering



Supervised by :

Eng. Inas Shweki

Designed by:

Maisa Al-Atrash
205148

Sojoud Rjoob
185293

Note :

Project name:

Al-Samu Hospital

Drawing title :

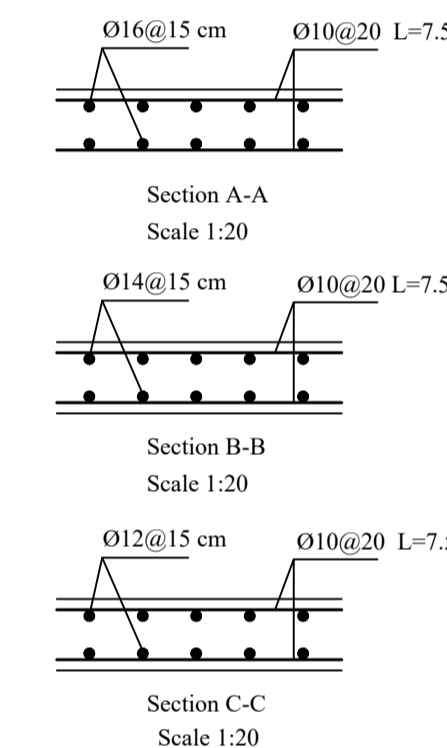
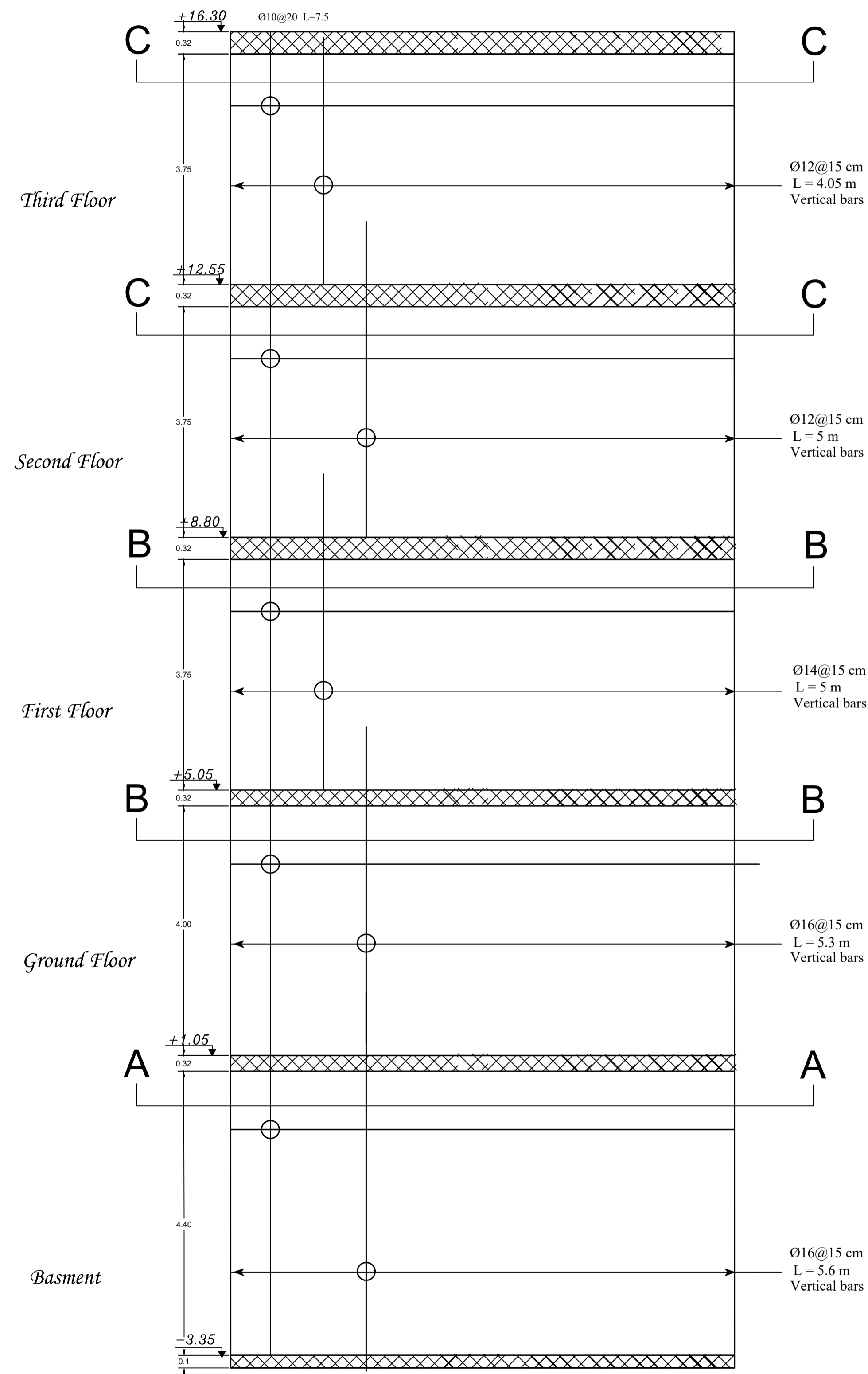
WALLS DETAILS

Sheet NO. S06-D

Units m

Scale 1:100

Date January-2024



S.W13 & S.W16

S.W13 & S.W16

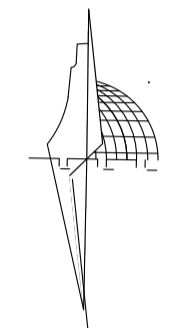


Palestine Polytechnic University

Engineering College

Civil Engineering

N



Supervised by :

Eng. Inas Shweki

Designed by:

Maisa Al-Atrash
205148

Sojoud Rjoob
185293

Note :

Project name:

Al-Samu Hospital

Drawing title :

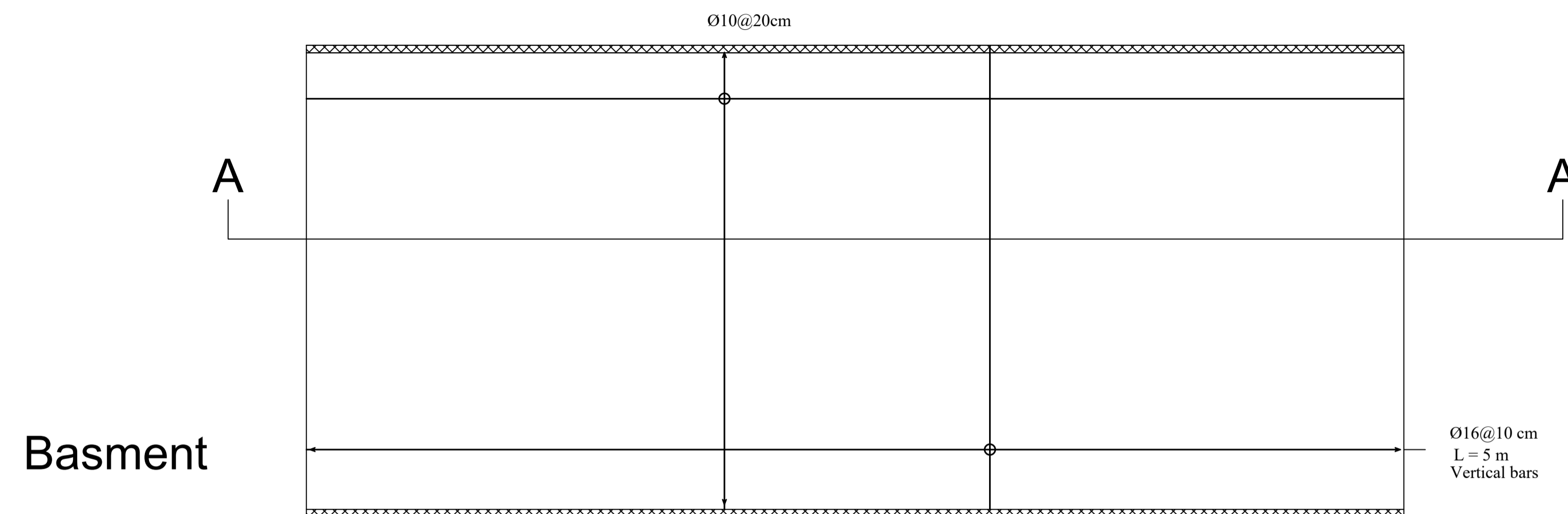
WALLS DETAILS
(BASEMENT WALL)

Sheet NO. S06-E

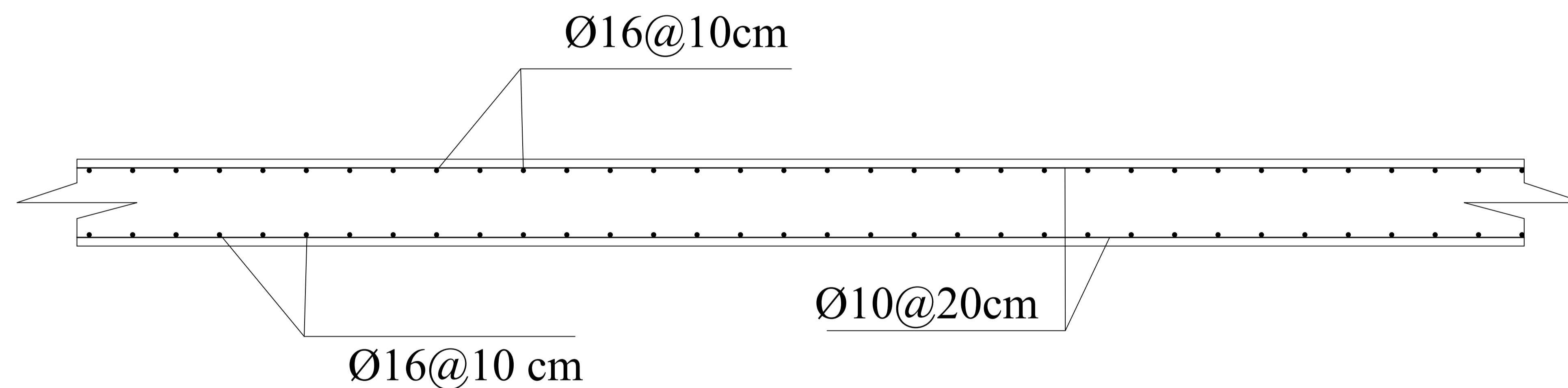
Units m

Scale

Date January-2024



B.W
Scale 1:50



Section A-A
Scale 1:10

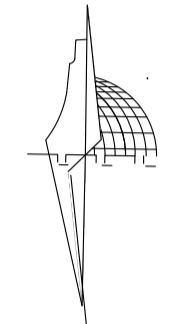


Palestine Polytechnic University

Engineering College

Civil Engineering

N



Supervised by :

Eng. Inas Shweki

Designed by:

Maisa Al-Atrash
205148

Sojoud Rjoob
185293

Note :

Project name:

Al-Samu Hospital

Drawing title :

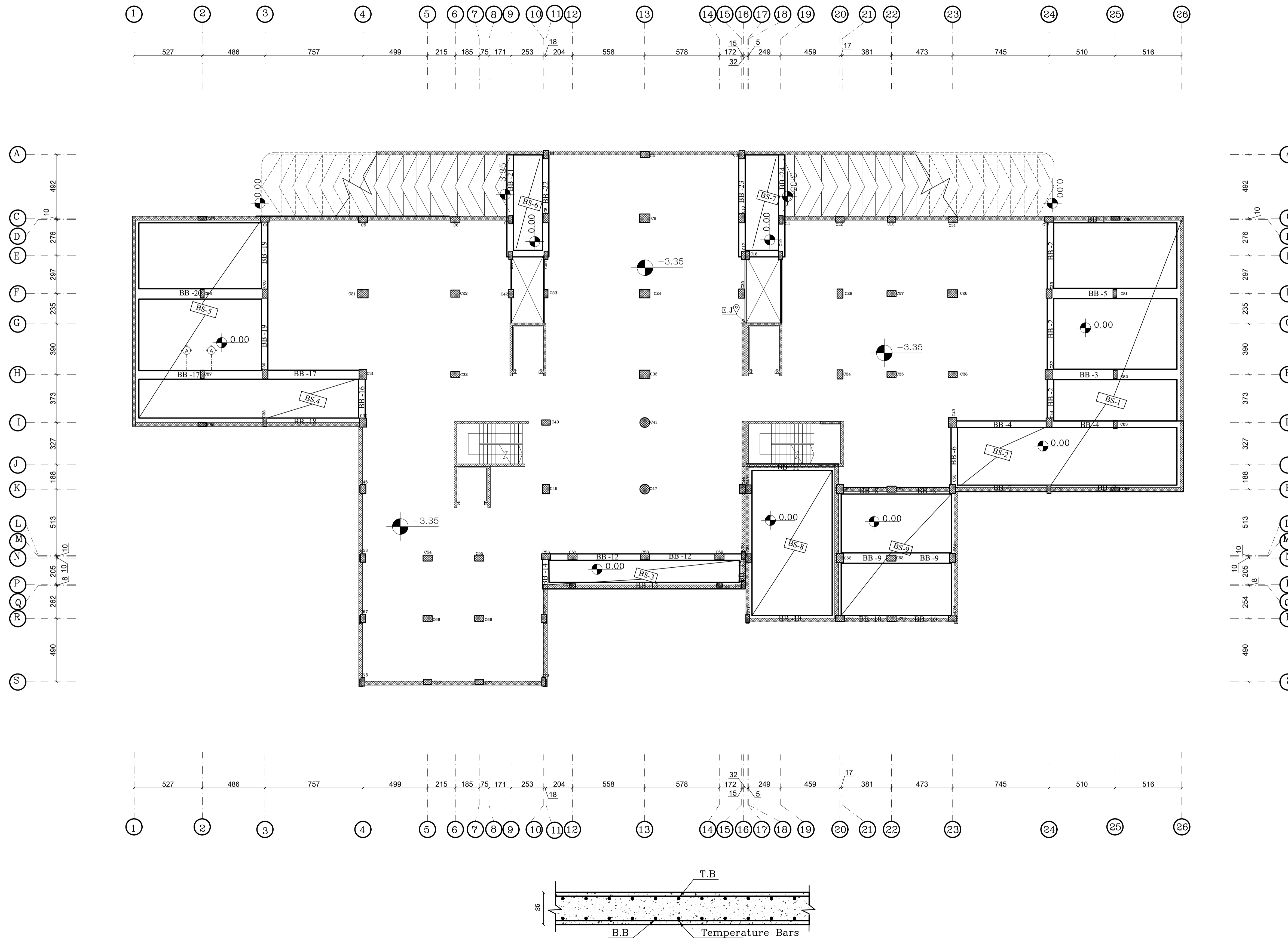
**Basement Floor
Slab**

Sheet No. S07-A

Units cm

Scale 1:150

Date January-2024



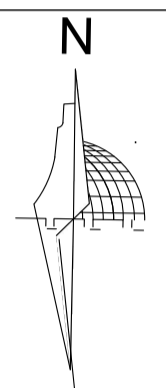
S.S - TYPICAL SECTION(A-A)
Scale 1/10



Palestine Polytechnic University

Engineering College

Civil Engineering



Supervised by :

Eng. Inas Shweki

Designed by:

Maisa Al-Atrash
205148

Sojoud Rjoob
185293

Note :

Project name:

Al-Samu Hospital

Drawing title :

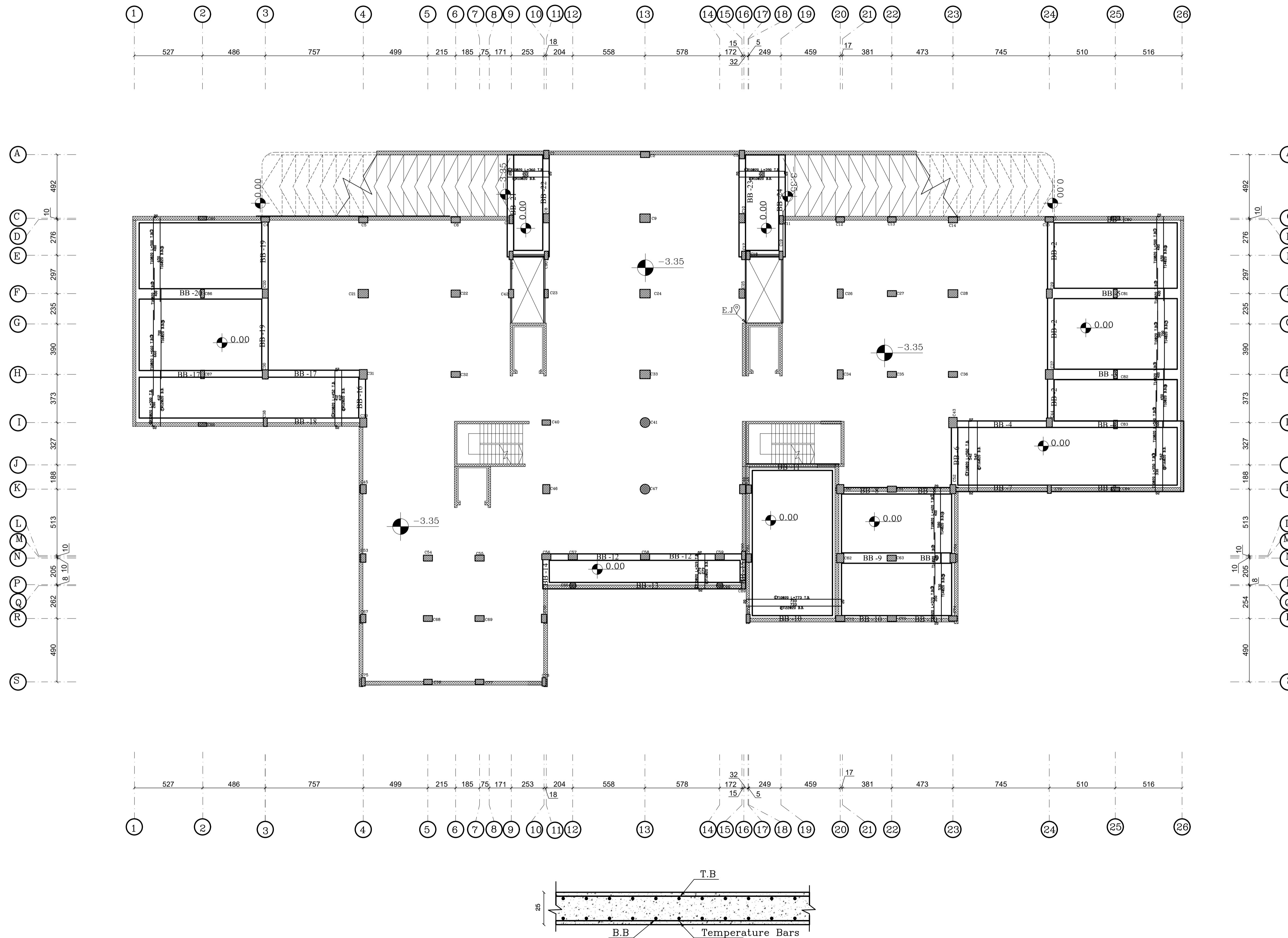
**Basement Floor
SLAB DETAILS**

Sheet NO. S07-A

Units INDICATED

Scale 1:150

Date January-2024



S.S - TYPICAL SECTION(A-A)
Scale 1/10

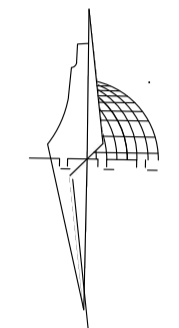


Palestine Polytechnic University

Engineering College

Civil Engineering

N



Supervised by :

Eng. Inas Shweki

Designed by:

Maisa Al-Atrash
205148

Sojoud Rjoob
185293

Note :

Project name:

Al-Samu Hospital

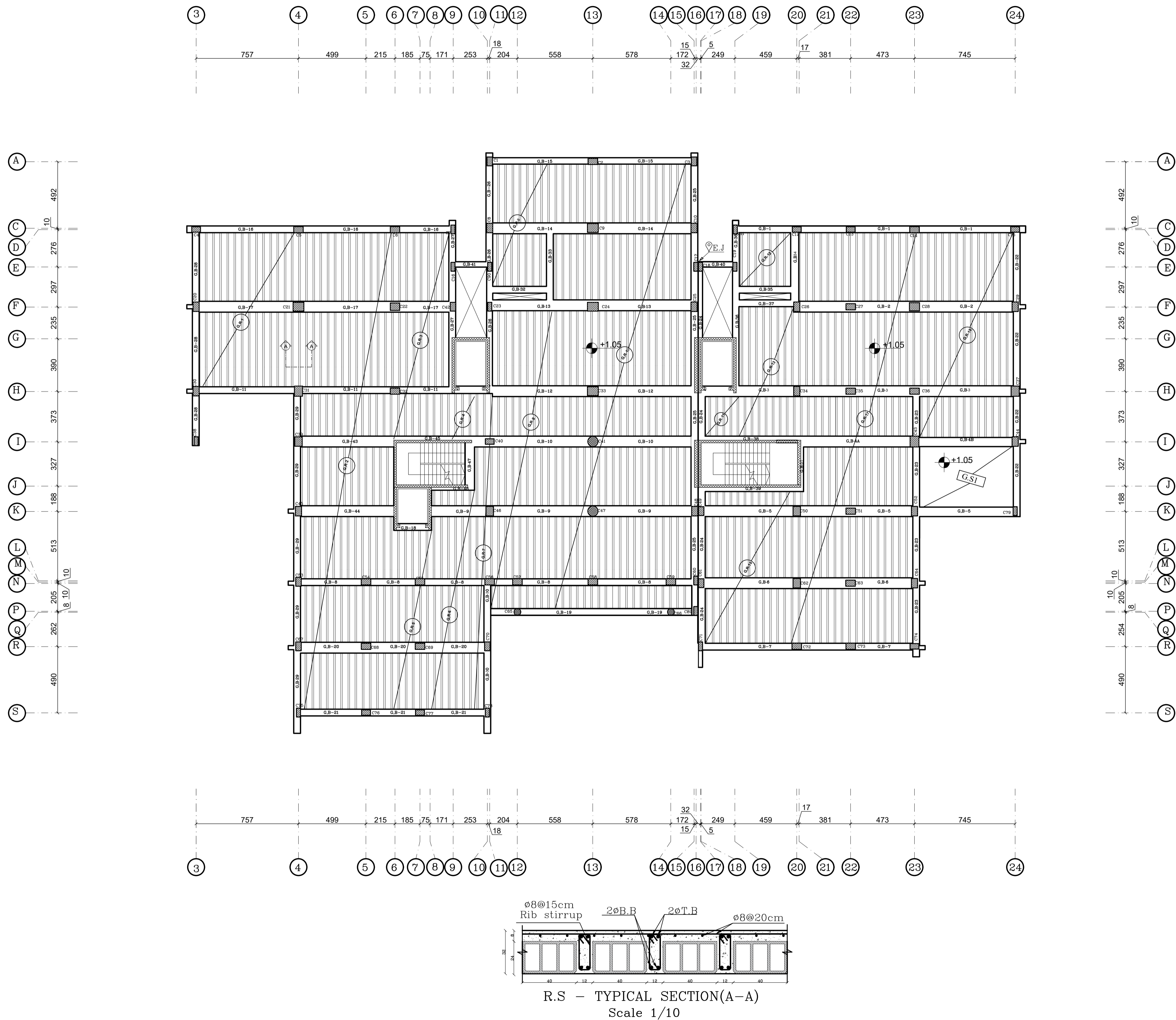
Drawing title :
Ground Floor
Slab

Sheet No. S07-B

Units cm

Scale 1:150

Date January-2024

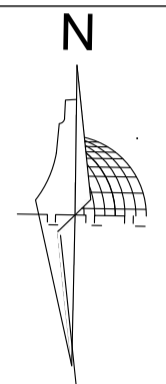




Palestine Polytechnic University

Engineering College

Civil Engineering



Supervised by :

Eng. Inas Shweki

Designed by:

Maisa Al-Atrash
205148

Sojoud Rjoob
185293

Note :

Project name:

Al-Samu Hospital

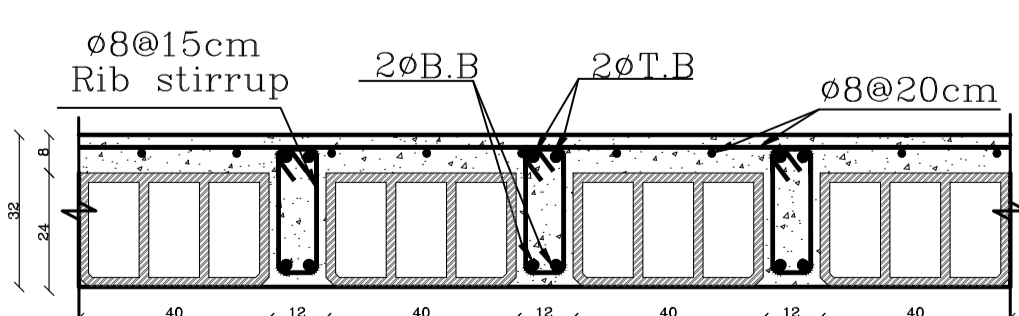
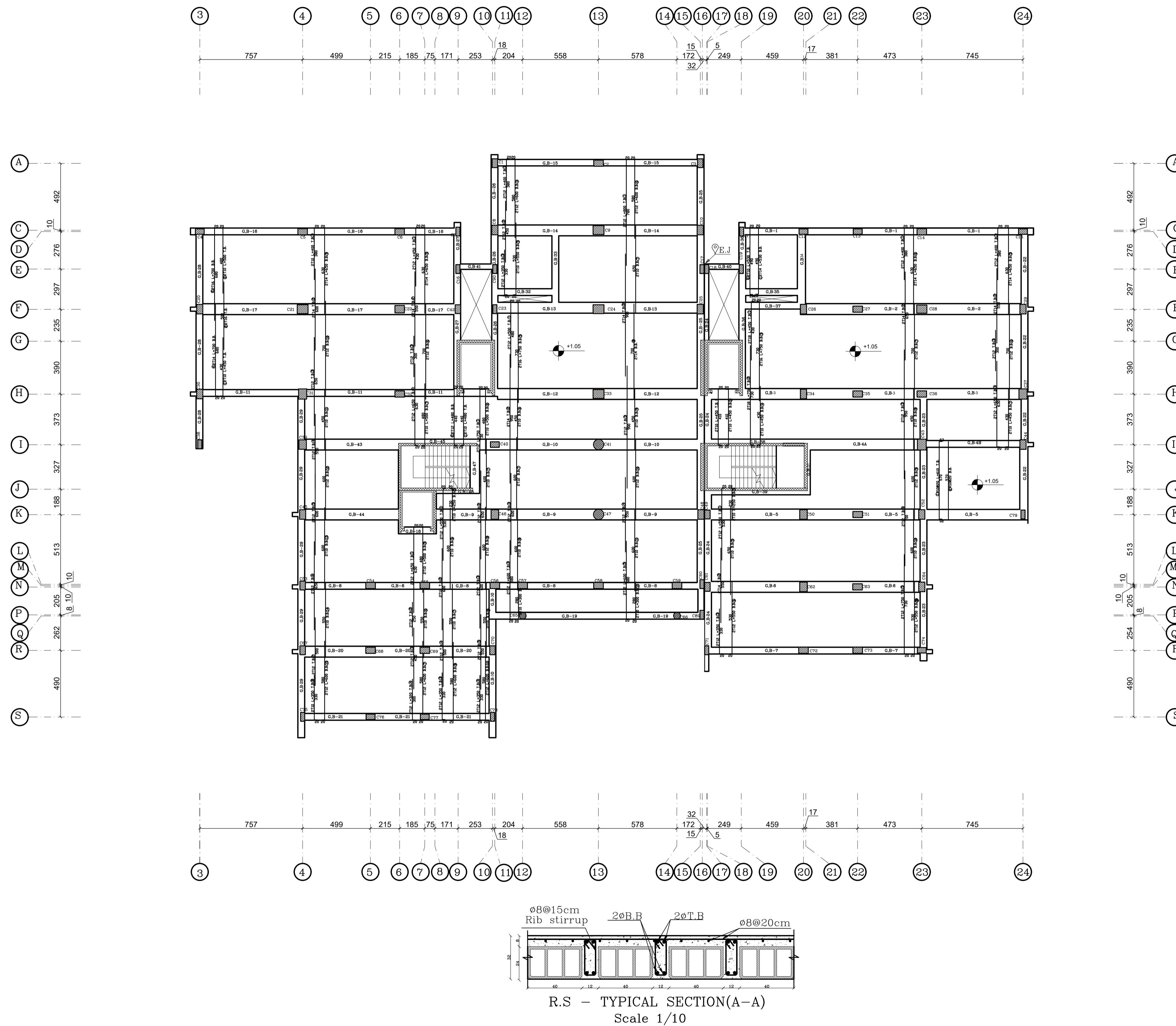
Drawing title :
Ground Floor
Slab DETAILS

Sheet NO. S07-B

Units INDICATED

Scale 1:150

Date January-2024



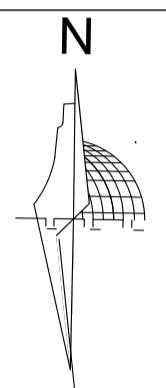
R.S - TYPICAL SECTION(A-A)
Scale 1/10



Palestine Polytechnic University

Engineering College

Civil Engineering



Supervised by :

Eng. Inas Shweki

Designed by:

Maisa Al-Atrash
205148

Sojoud Rjoob
185293

Note :

Project name:

Al-Samu Hospital

Drawing title :

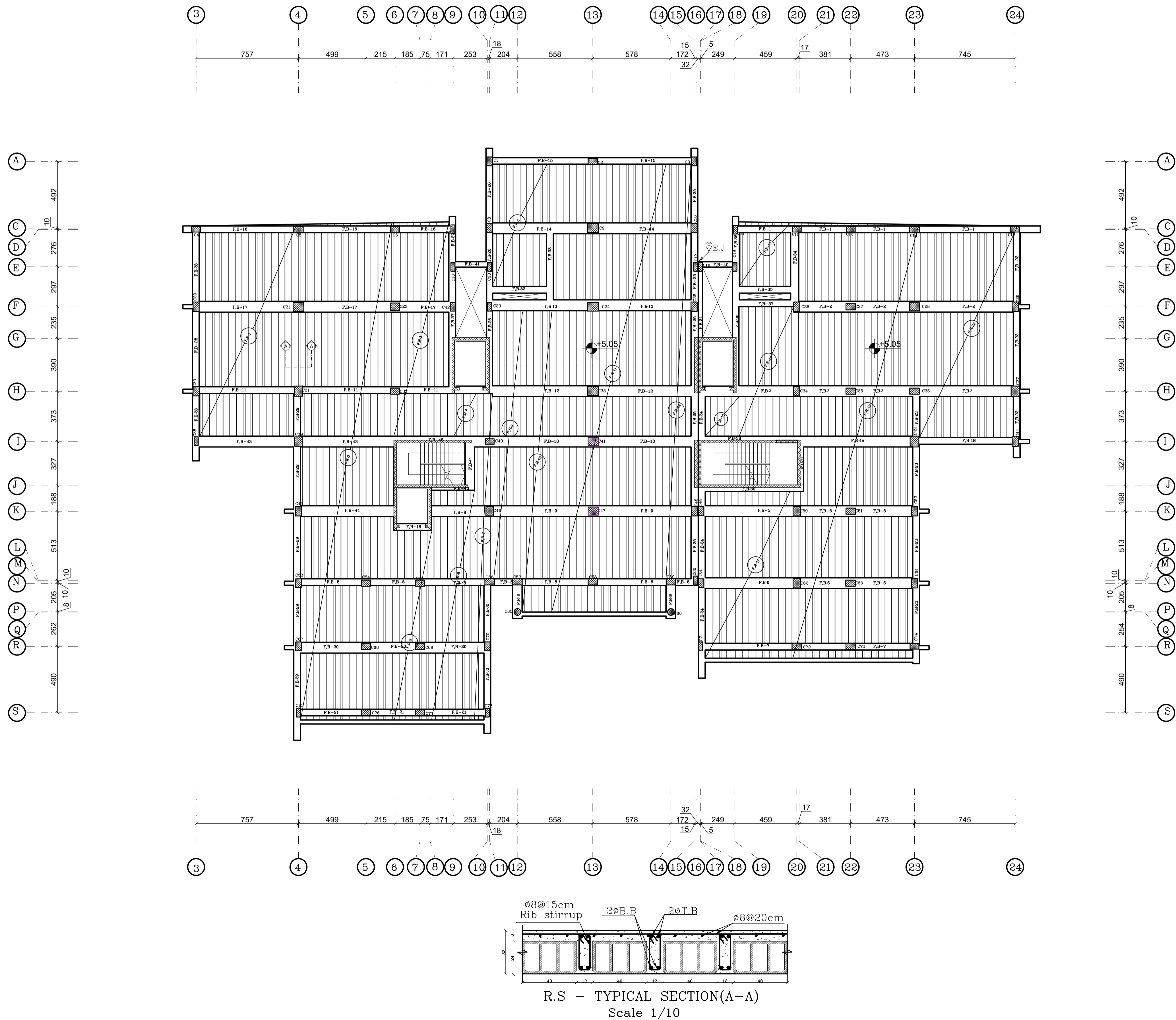
First Floor
Slab

Sheet NO. S07-C

Units cm

Scale 1:150

Date January-2024



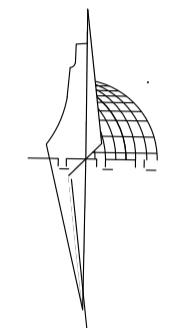


Palestine Polytechnic University

Engineering College

Civil Engineering

N



Supervised by :

Eng. Inas Shweki

Designed by:

Maisa Al-Atrash
205148

Sojoud Rjoob
185293

Note :

Project name:

Al-Samu Hospital

Drawing title :

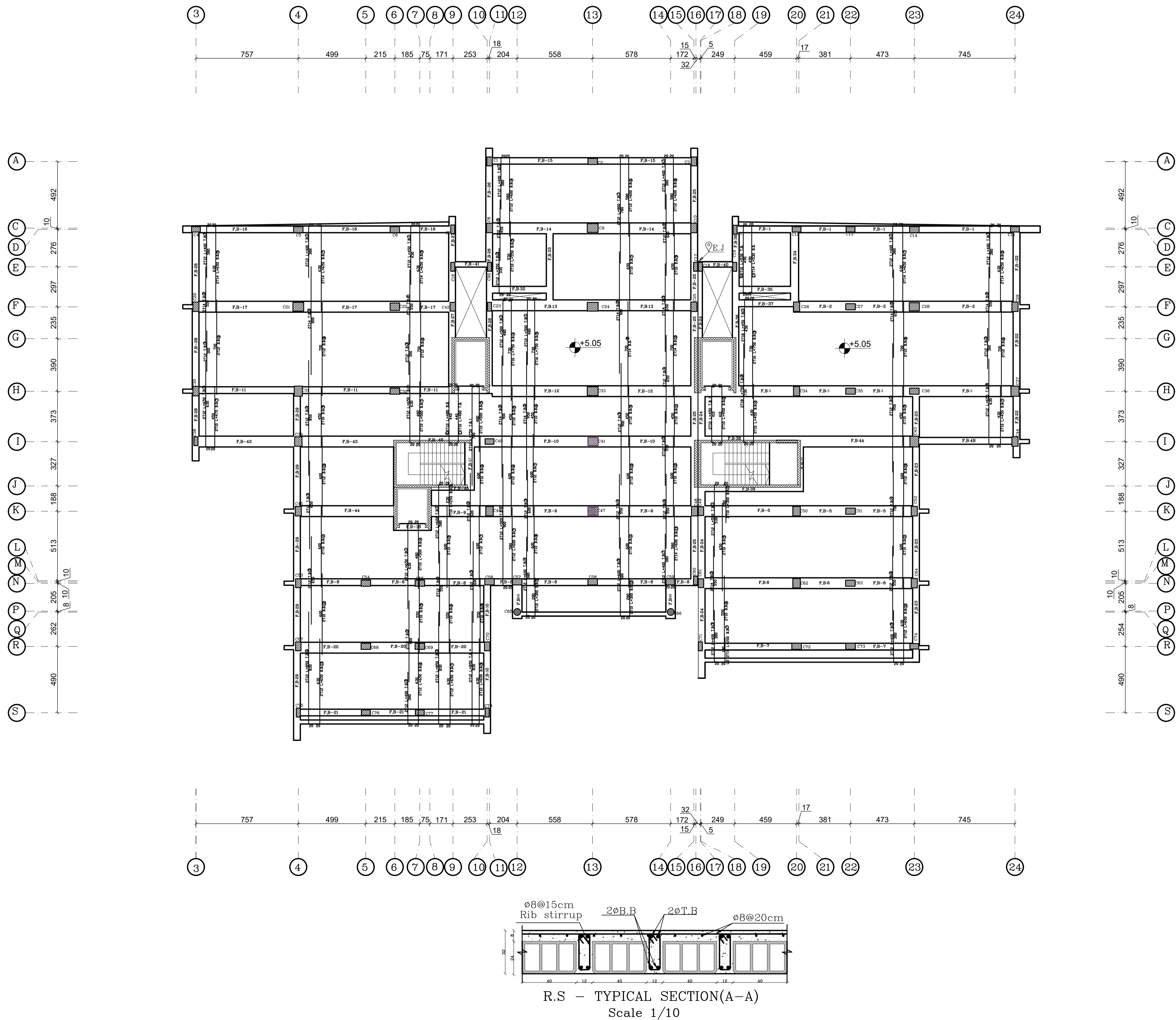
First Floor
Slab DETAILS

Sheet No. S07-C

Units INDICATED

Scale 1:150

Date January-2024



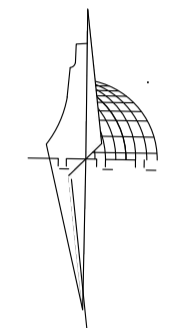


Palestine Polytechnic University

Engineering College

Civil Engineering

N



Supervised by :

Eng. Inas Shweki

Designed by:

Maisa Al-Atrash
205148

Sojoud Rjoob
185293

Note :

Project name:

Al-Samu Hospital

Drawing title :

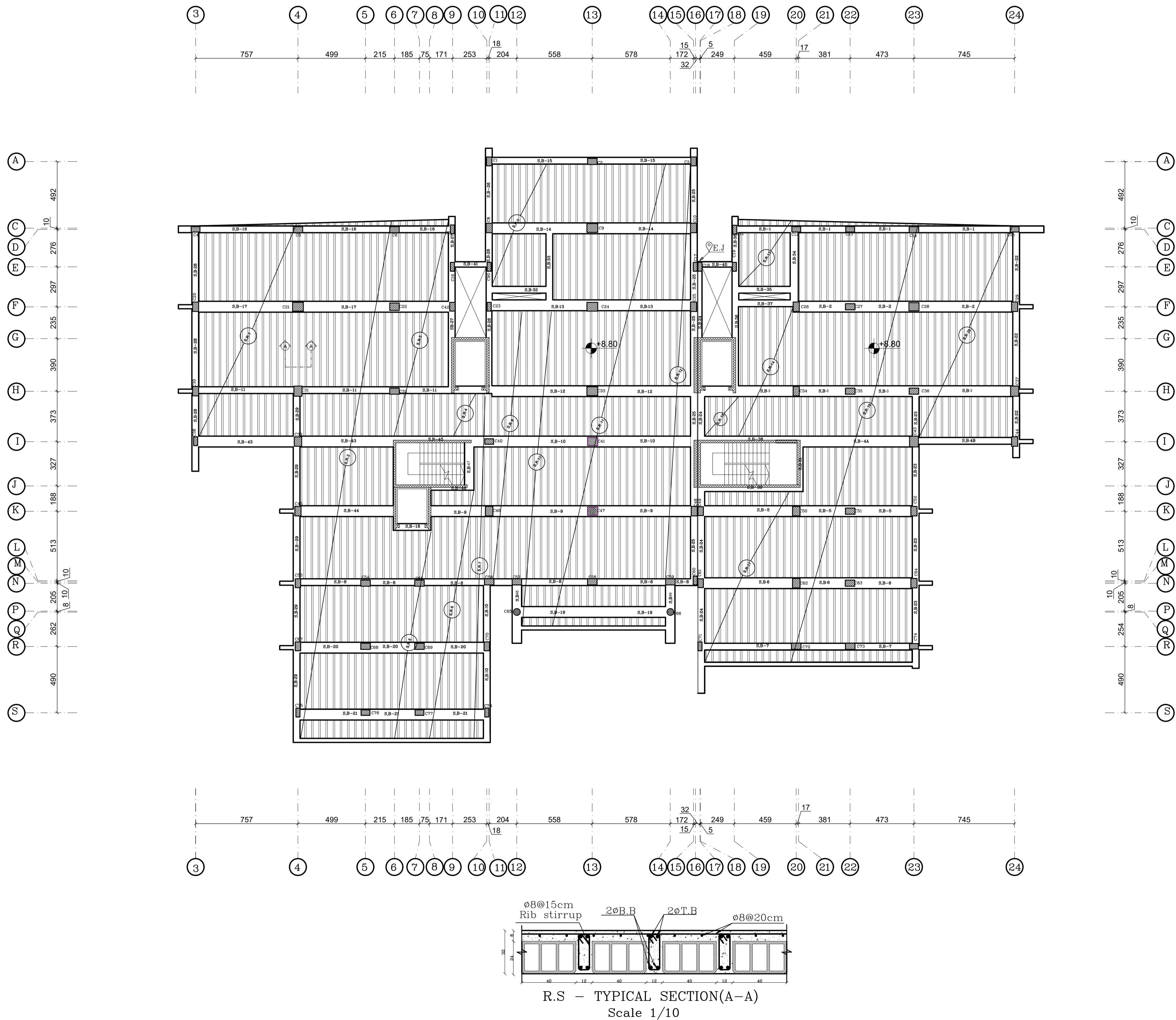
Second Floor
Slab

Sheet NO. S07-D

Units cm

Scale 1:150

Date January-2024



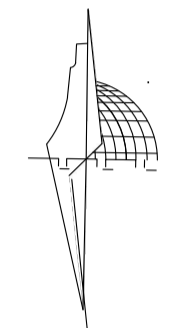


Palestine Polytechnic University

Engineering College

Civil Engineering

N



Supervised by :

Eng. Inas Shweki

Designed by:

Maisa Al-Atrash
205148

Sojoud Rjoob
185293

Note :

Project name:

Al-Samu Hospital

Drawing title :

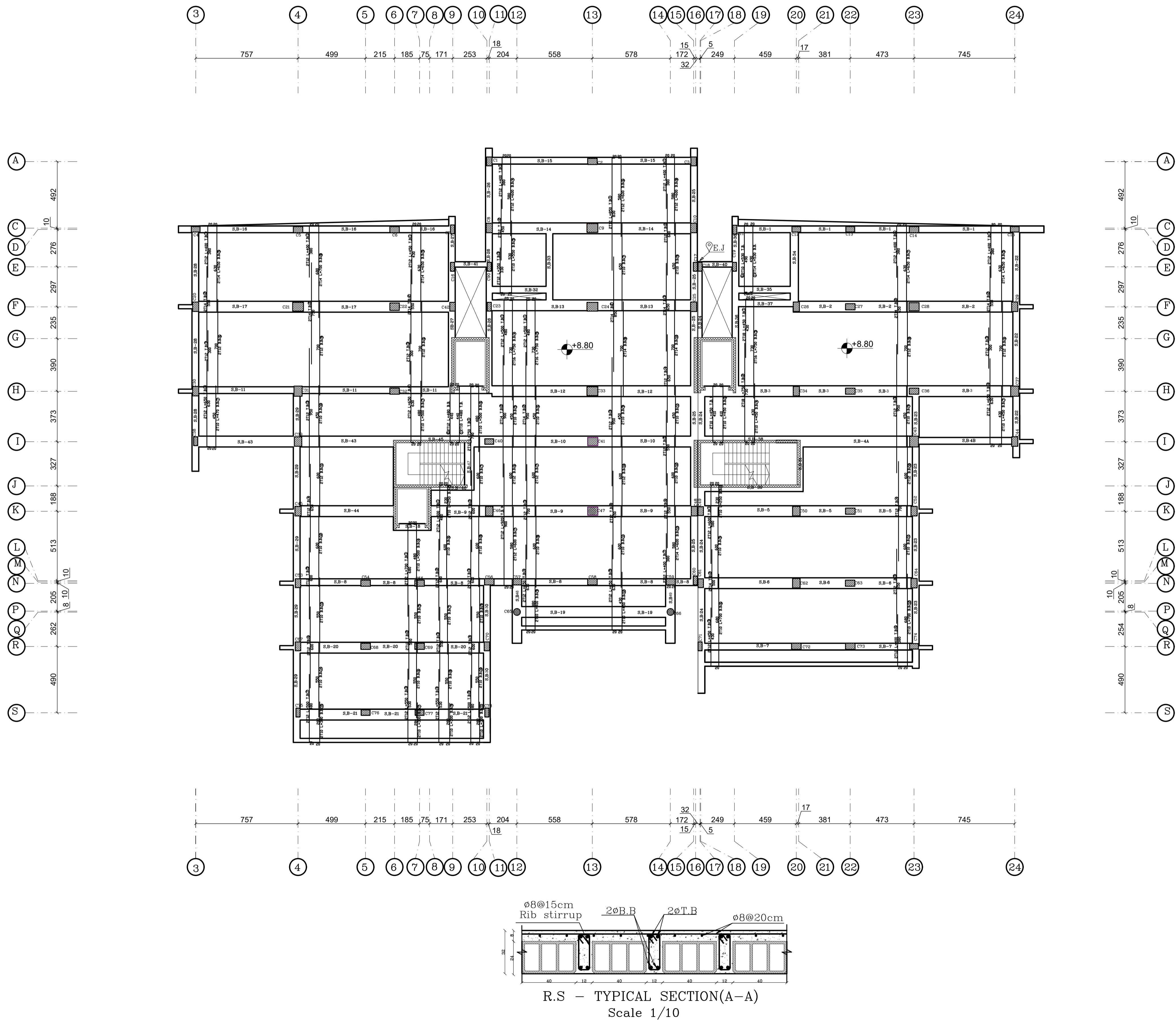
Second Floor
Slab DETAILS

Sheet NO. S07-D

Units INDICATED

Scale 1:150

Date January-2024



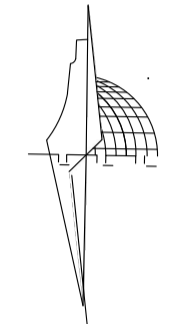


Palestine Polytechnic University

Engineering College

Civil Engineering

N



Supervised by :

Eng. Inas Shweki

Designed by:

Maisa Al-Atrash
205148

Sojoud Rjoob
185293

Note :

Project name:

Al-Samu Hospital

Drawing title :

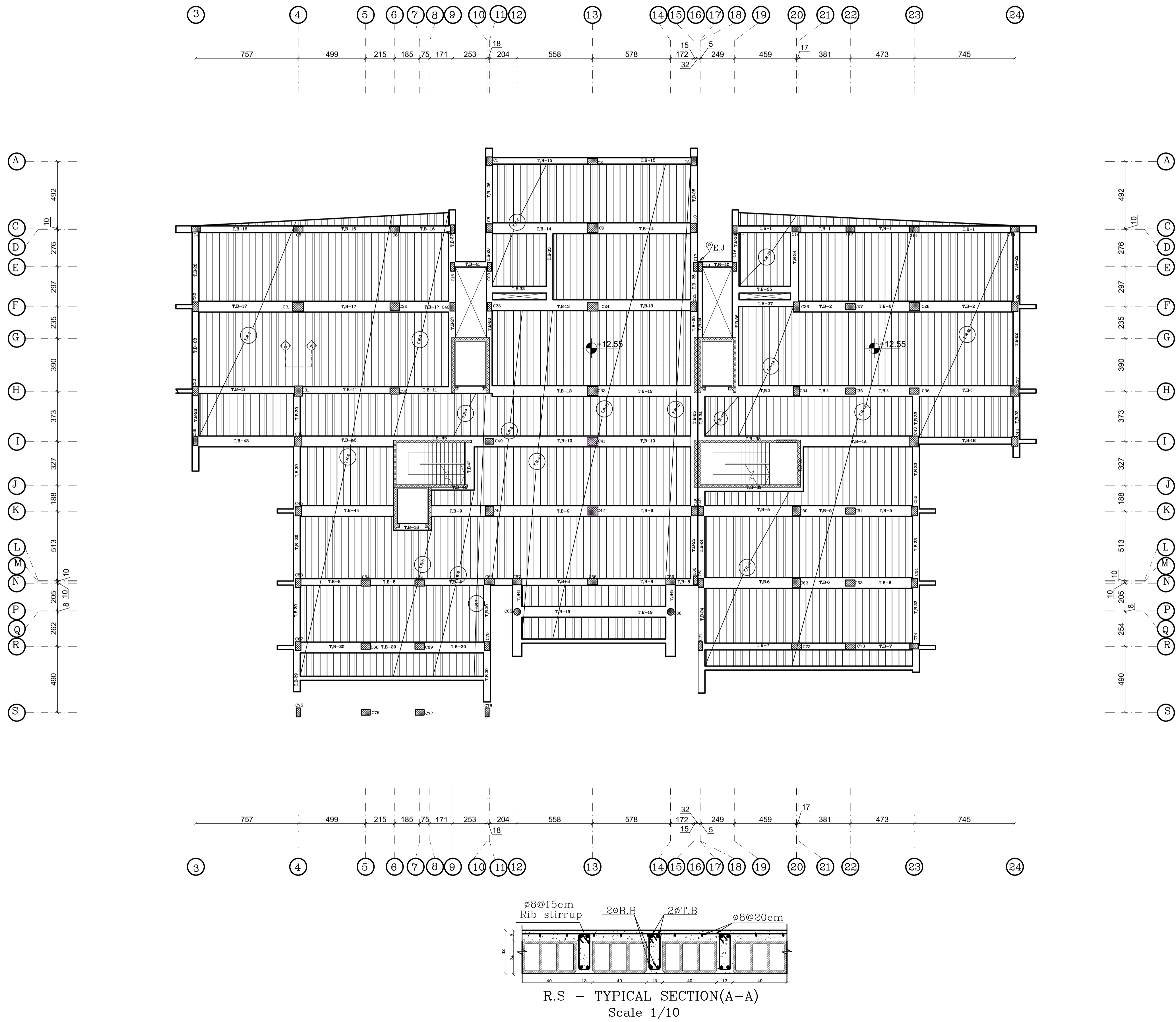
Third Floor
Slab

Sheet NO. S07-E

Units cm

Scale 1:150

Date January-2024



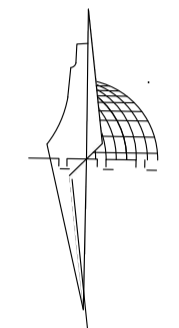


Palestine Polytechnic University

Engineering College

Civil Engineering

N



Supervised by :

Eng. Inas Shweki

Designed by:

Maisa Al-Atrash
205148

Sojoud Rjoob
185293

Note :

Project name:

Al-Samu Hospital

Drawing title :

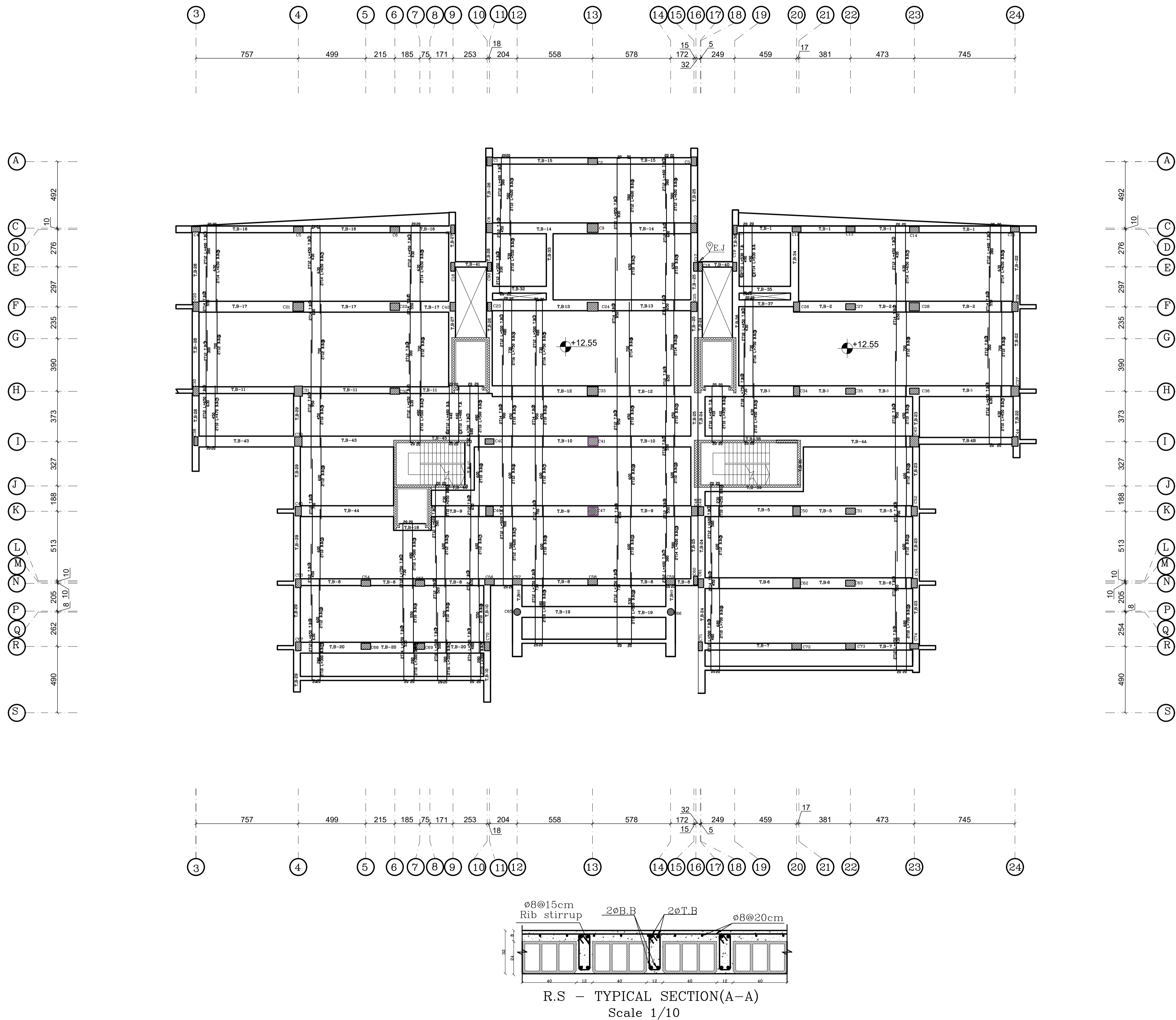
Third Floor
Slab DETAILS

Sheet NO. S07-E

Units INDICATED

Scale 1:150

Date January-2024

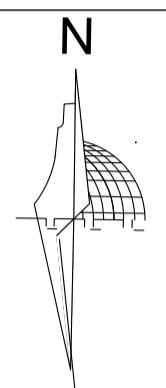




Palestine Polytechnic University

Engineering College

Civil Engineering



Supervised by :

Eng. Inas Shweki

Designed by:

Maisa Al-Atrash
205148

Sojoud Rjoob
185293

Note :

Project name:

Al-Samu Hospital

Drawing title :

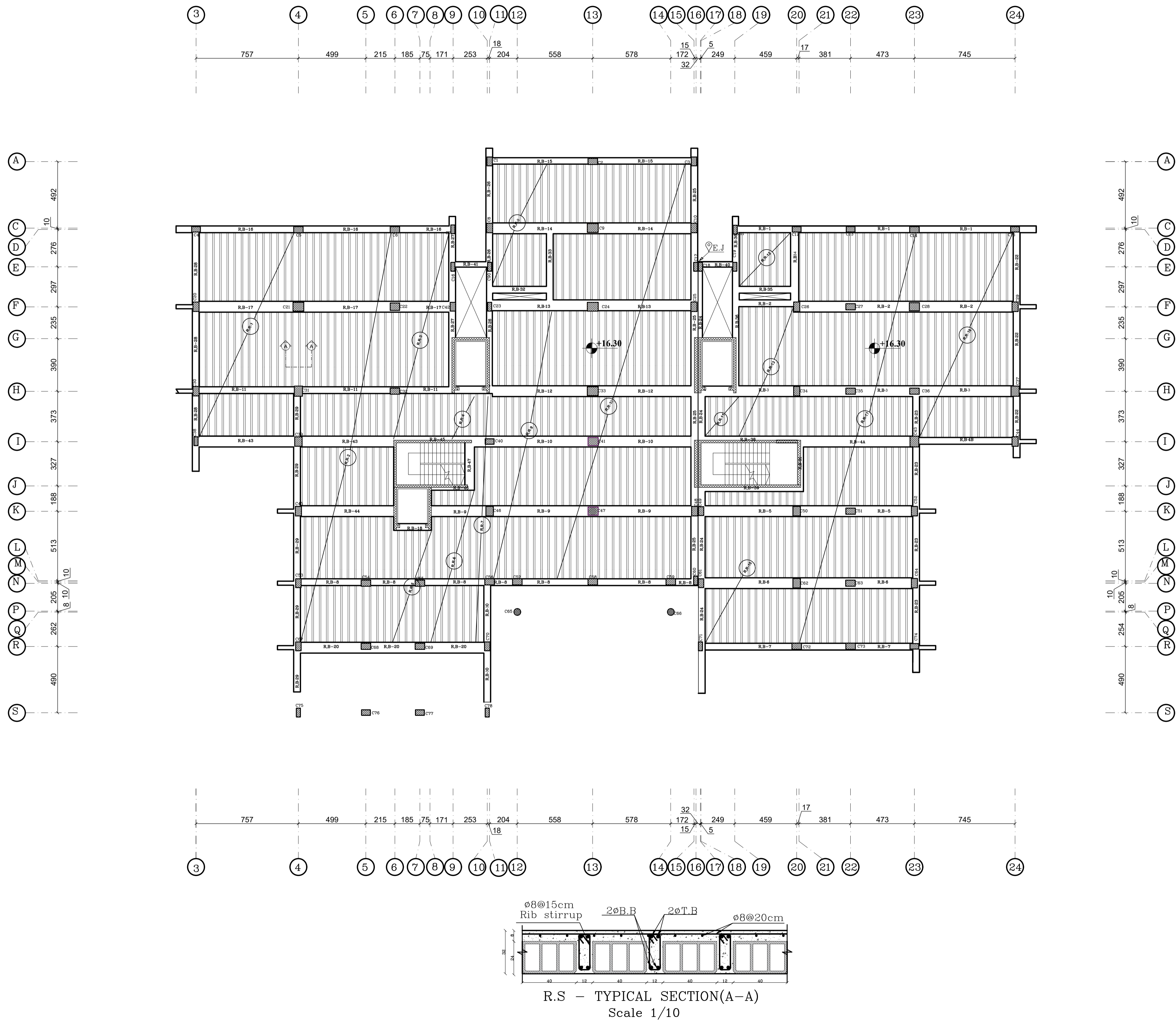
Roof Floor
Slab

Sheet NO. S07-F

Units cm

Scale 1:150

Date January-2024



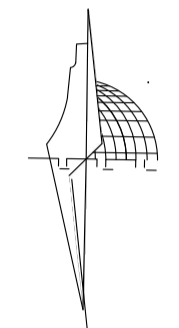


Palestine Polytechnic University

Engineering College

Civil Engineering

N



Supervised by :

Eng. Inas Shweki

Designed by:

Maisa Al-Atrash
205148

Sojoud Rjoob
185293

Note :

Project name:

Al-Samu Hospital

Drawing title :

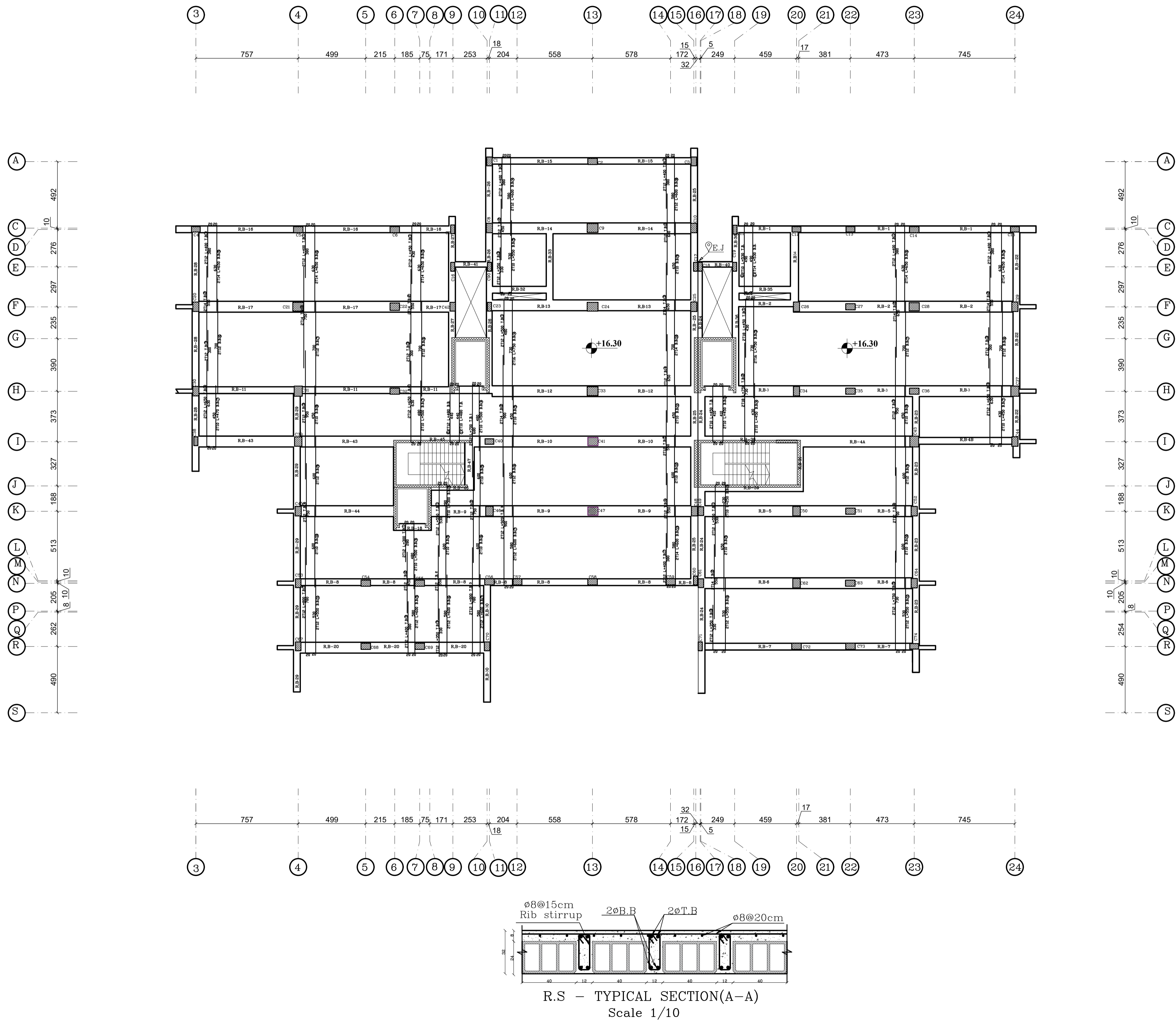
Roof Floor
Slab DETAILS

Sheet NO. S07-F

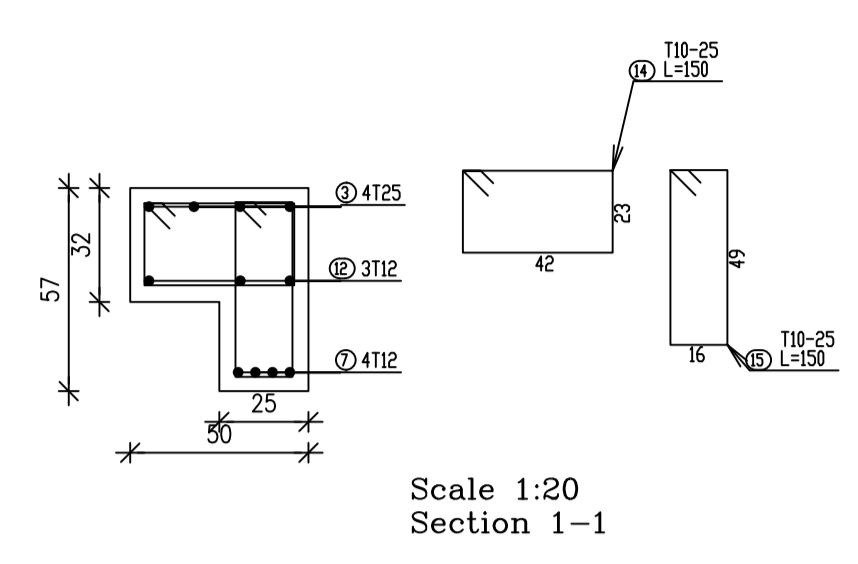
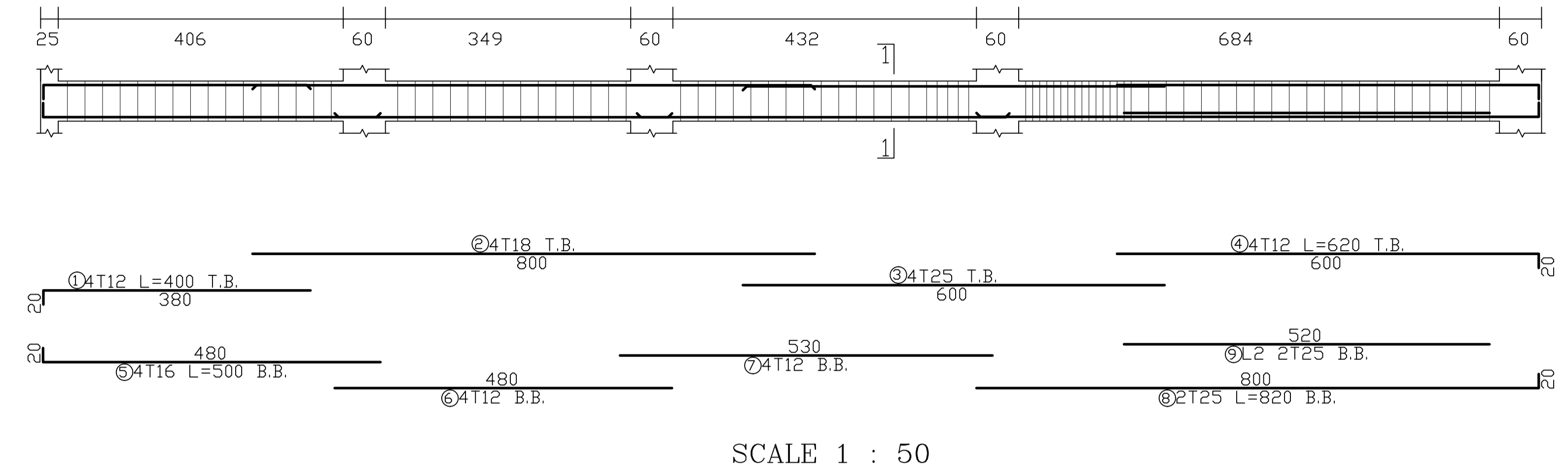
Units INDICATED

Scale 1:150

Date January-2024



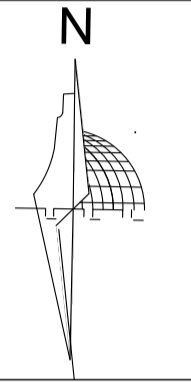
Beam:01



Palestine Polytechnic University

Engineering College

Civil Engineering



Supervised by :

Eng. Inas Shweki

Designed by:

Maisa Al-Atrash
205148

Sojoud Rjoob
185293

Note :

Project name:

Al-Samu Hospital

Drawing title :

BEAMS DETAILS

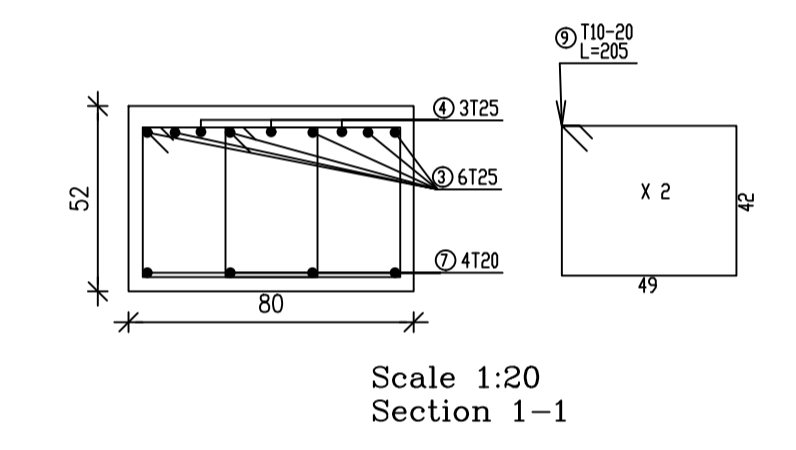
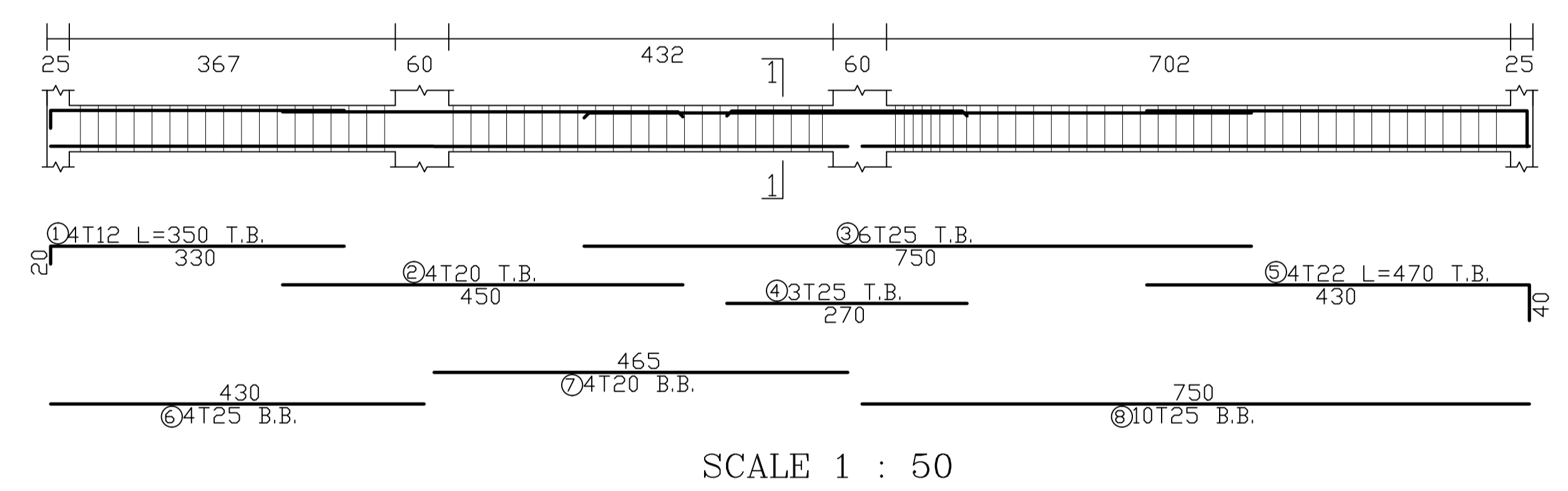
Sheet NO. S08-A

Units cm

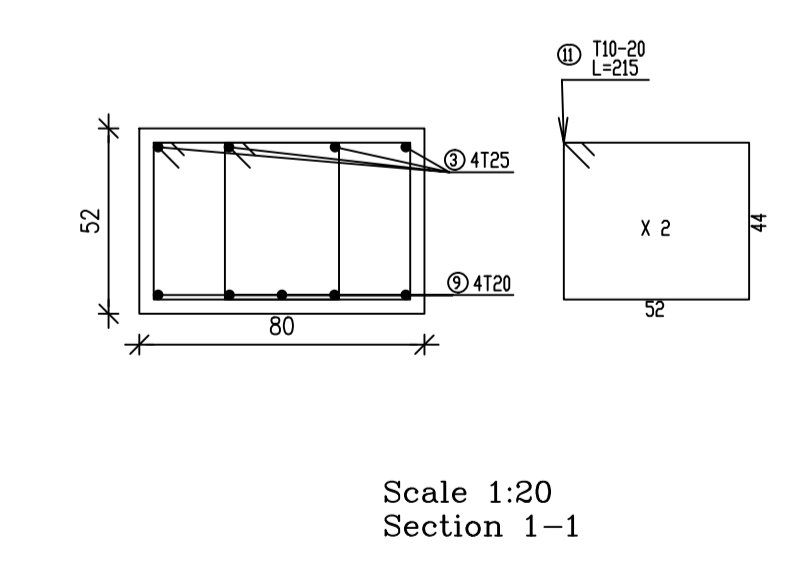
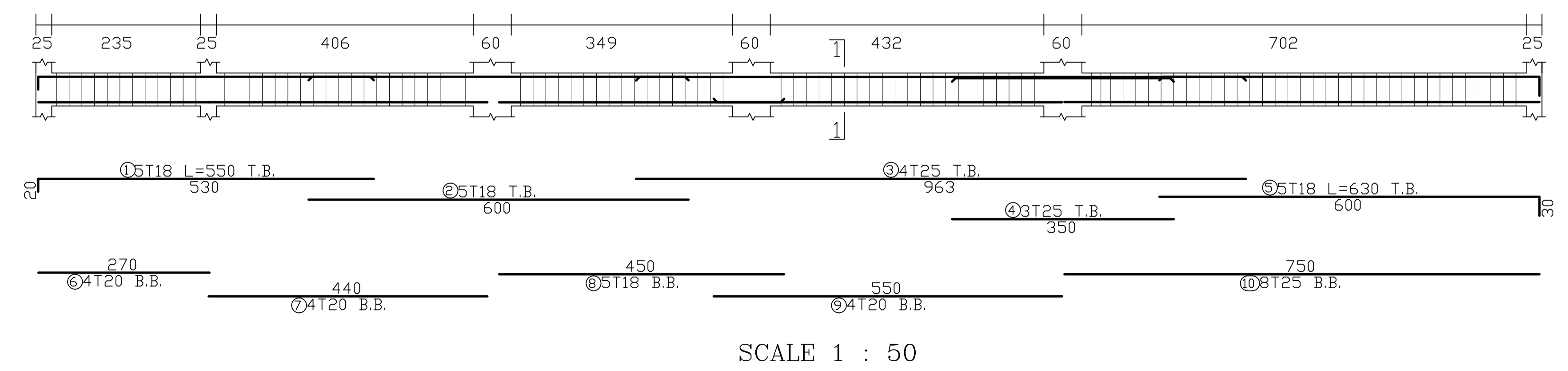
Scale INDICATED

Date January-2024

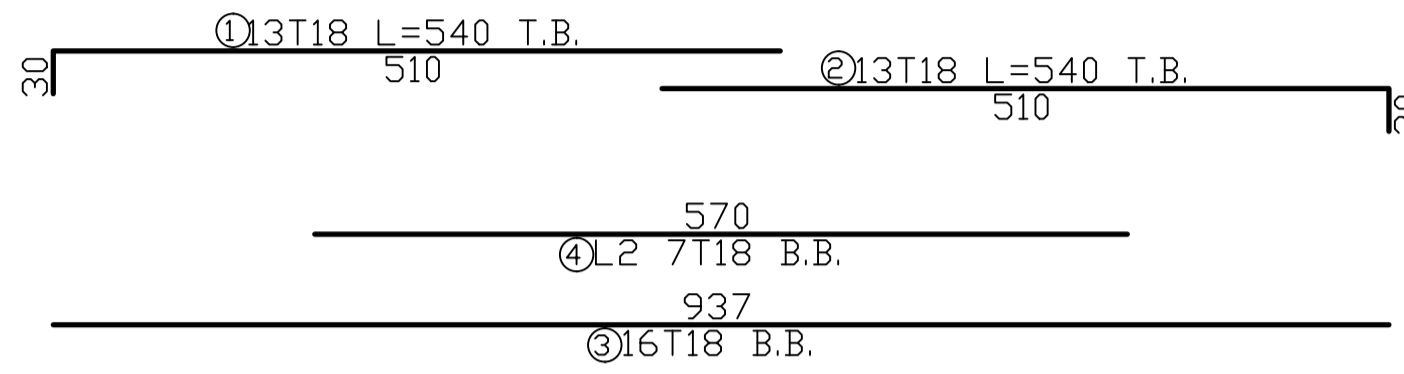
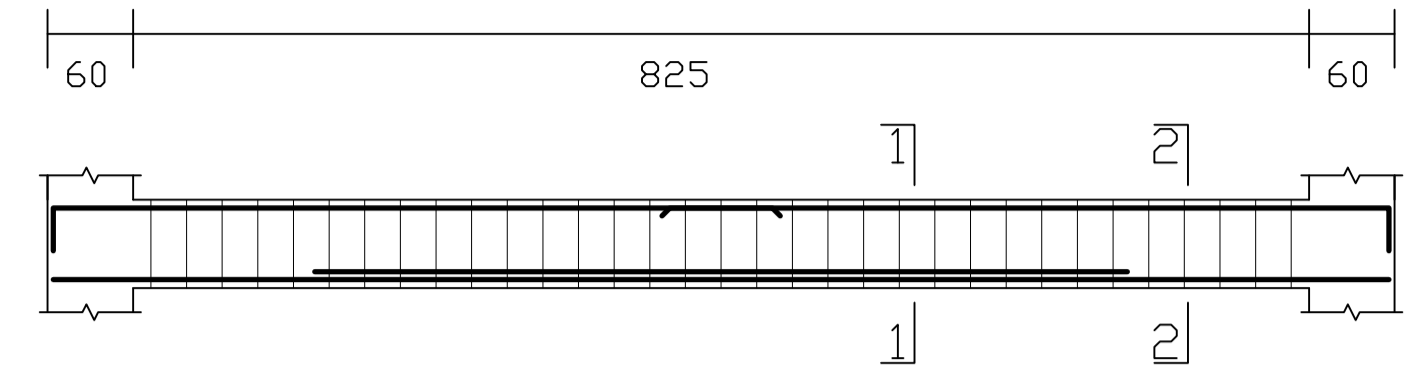
Beam:02



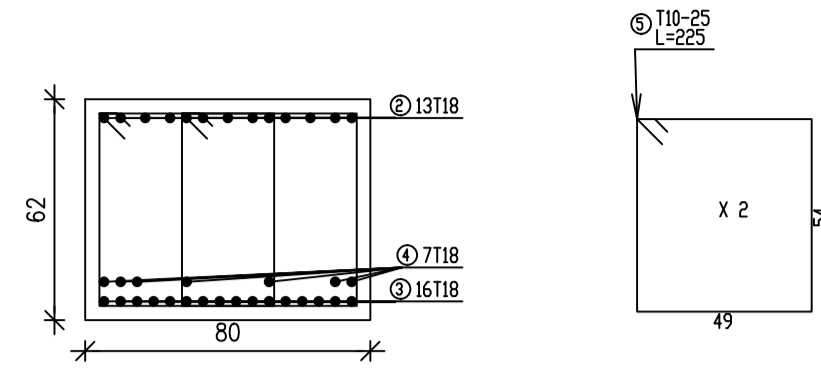
Beam:03



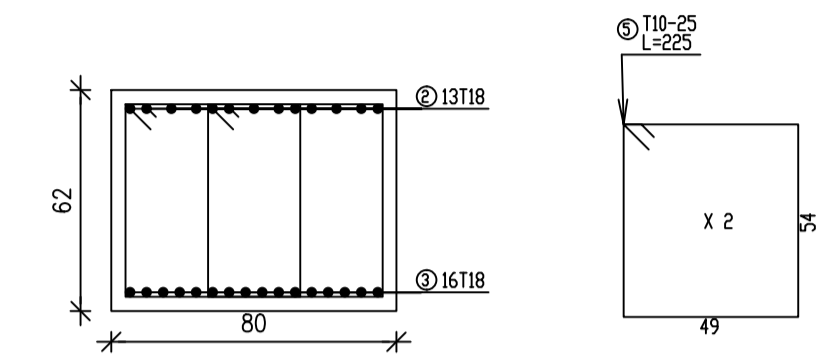
Beam:04A



SCALE 1 : 50

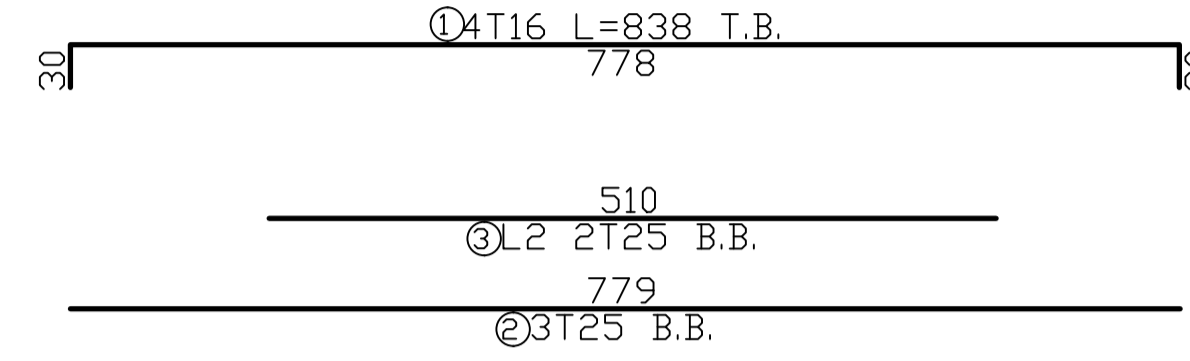
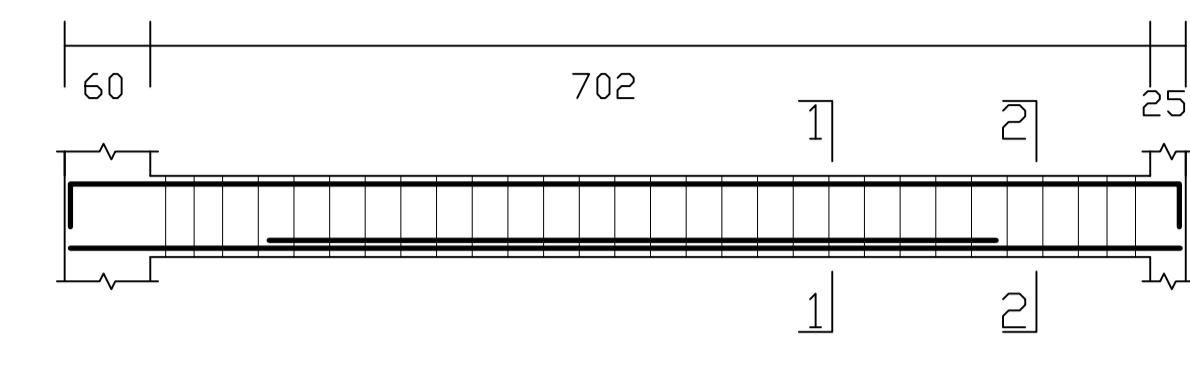


Scale 1:20
Section 1-1

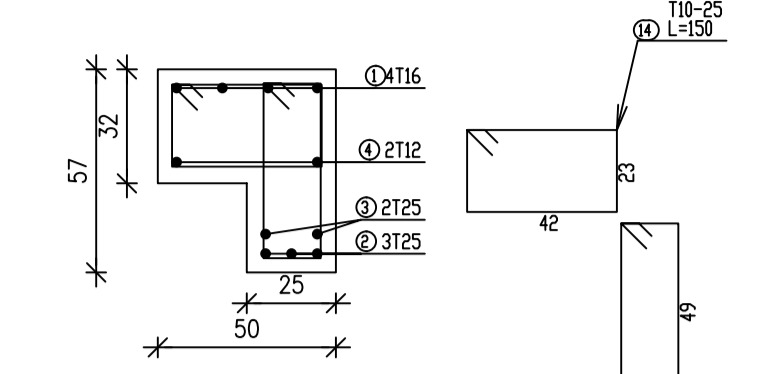


Scale 1:20
Section 2-2

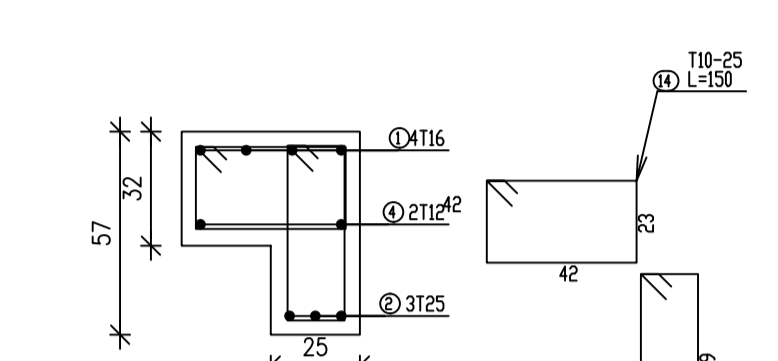
Beam:04B



SCALE 1 : 50

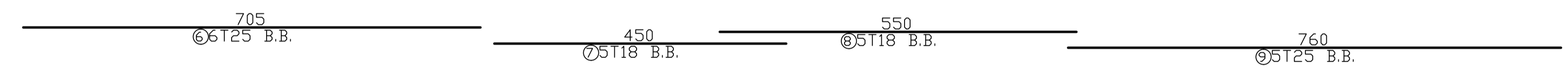
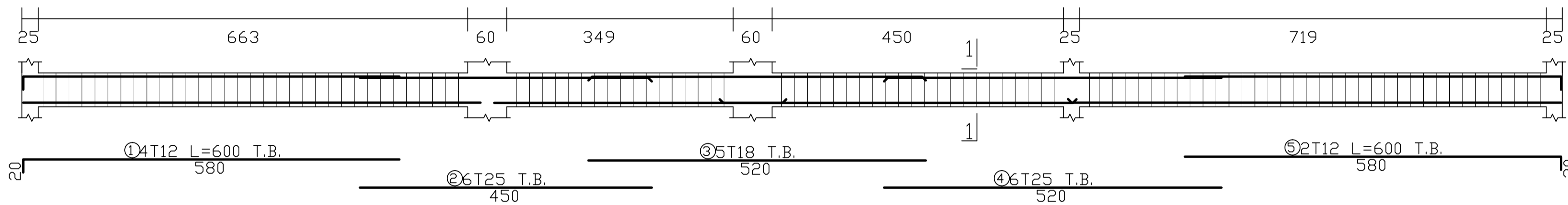


Scale 1:20
Section 1-1

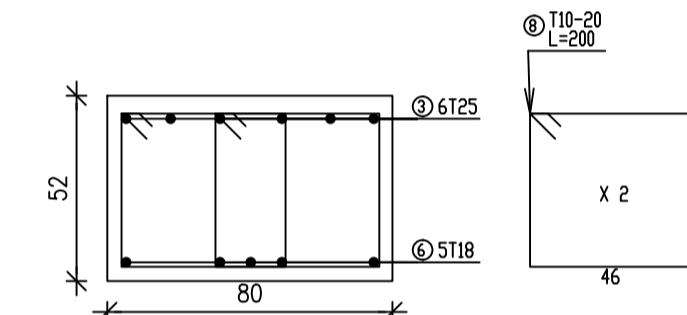


Scale 1:20
Section 2-2

Beam:G05

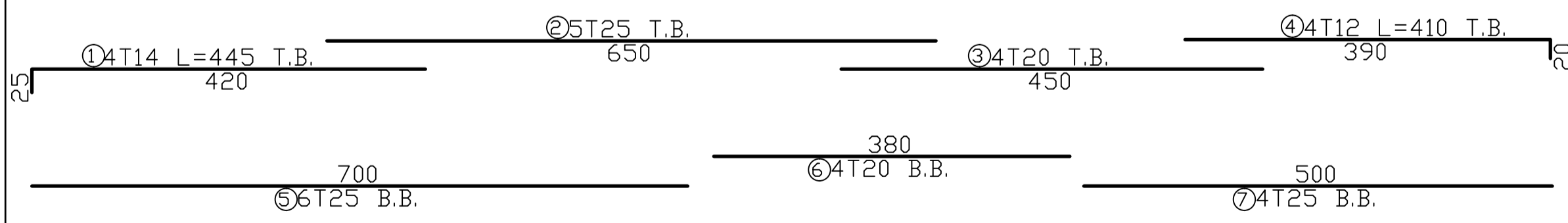
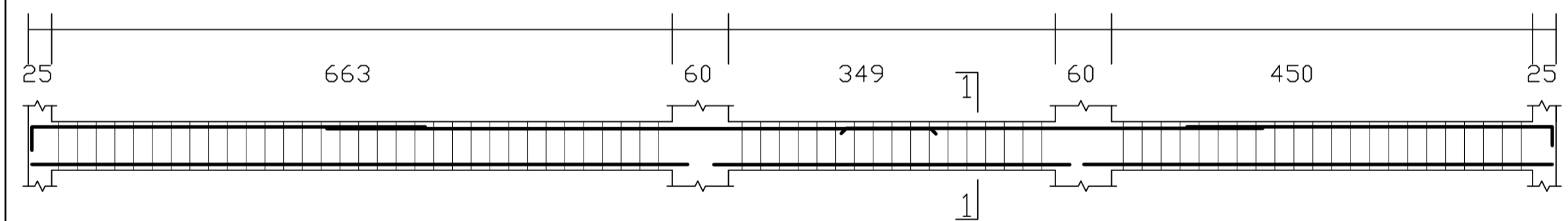


SCALE 1 : 50

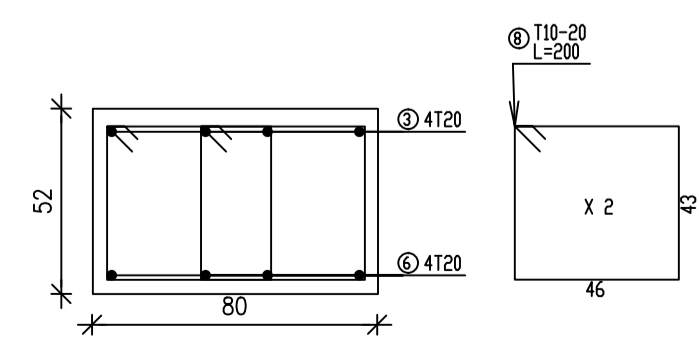


Scale 1:20
Section 1-1

Beam:F05 & R05

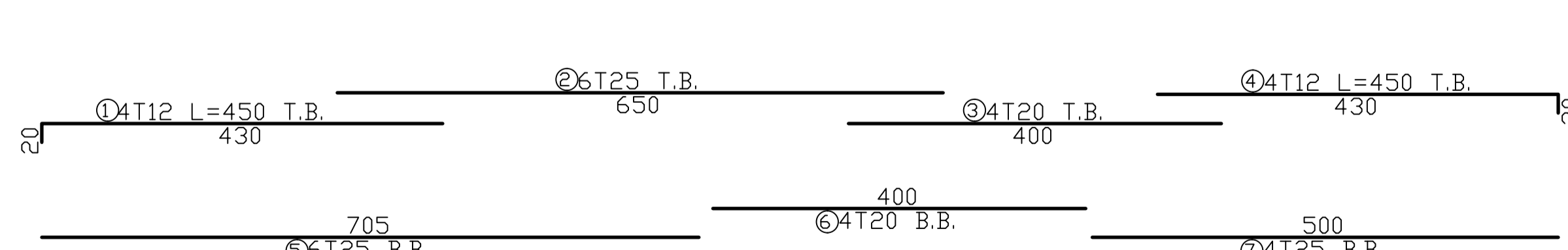
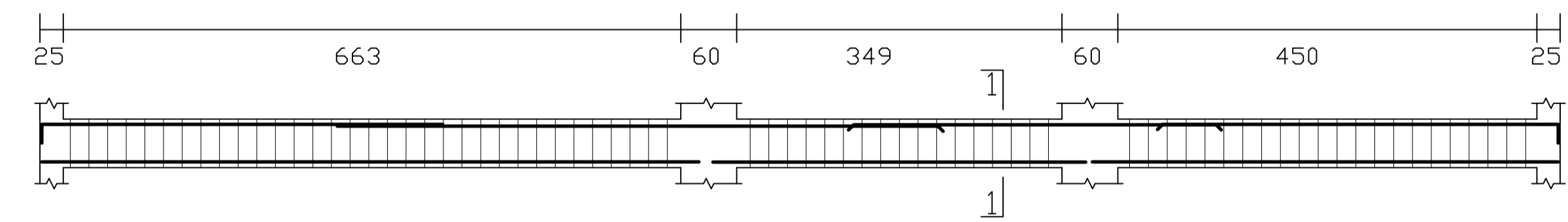


SCALE 1 : 50

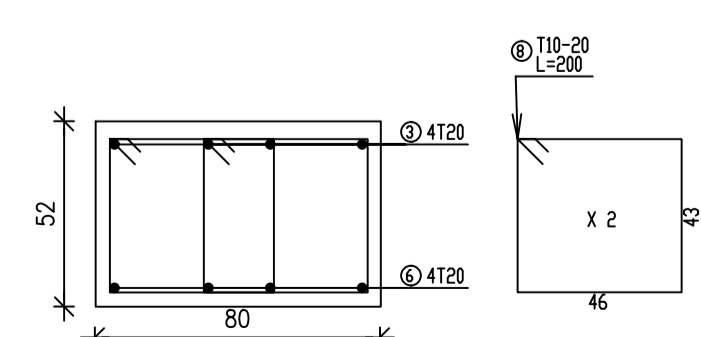


Scale 1:20
Section 1-1

Beam:S05 & T05



SCALE 1 : 50



Scale 1:20
Section 1-1

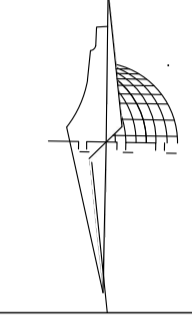


Palestine Polytechnic University

Engineering College

Civil Engineering

N



Supervised by :

Eng. Inas Shweki

Designed by:

Maisa Al-Atrash

205148

Sojoud Rjoob

185293

Note :

Project name:

Al-Samu Hospital

Drawing title :

BEAMS DETAILS

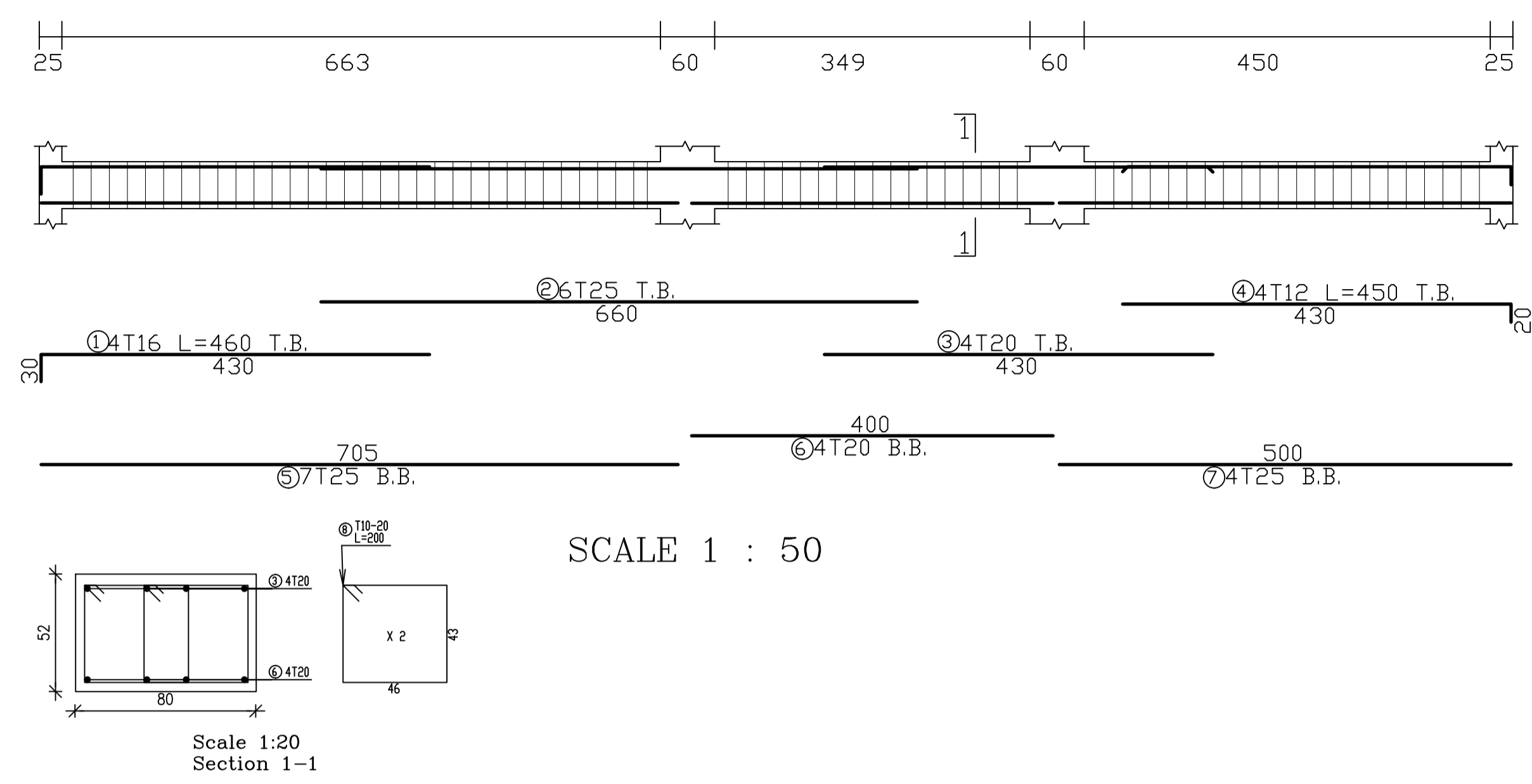
Sheet NO. S08-B

Units cm

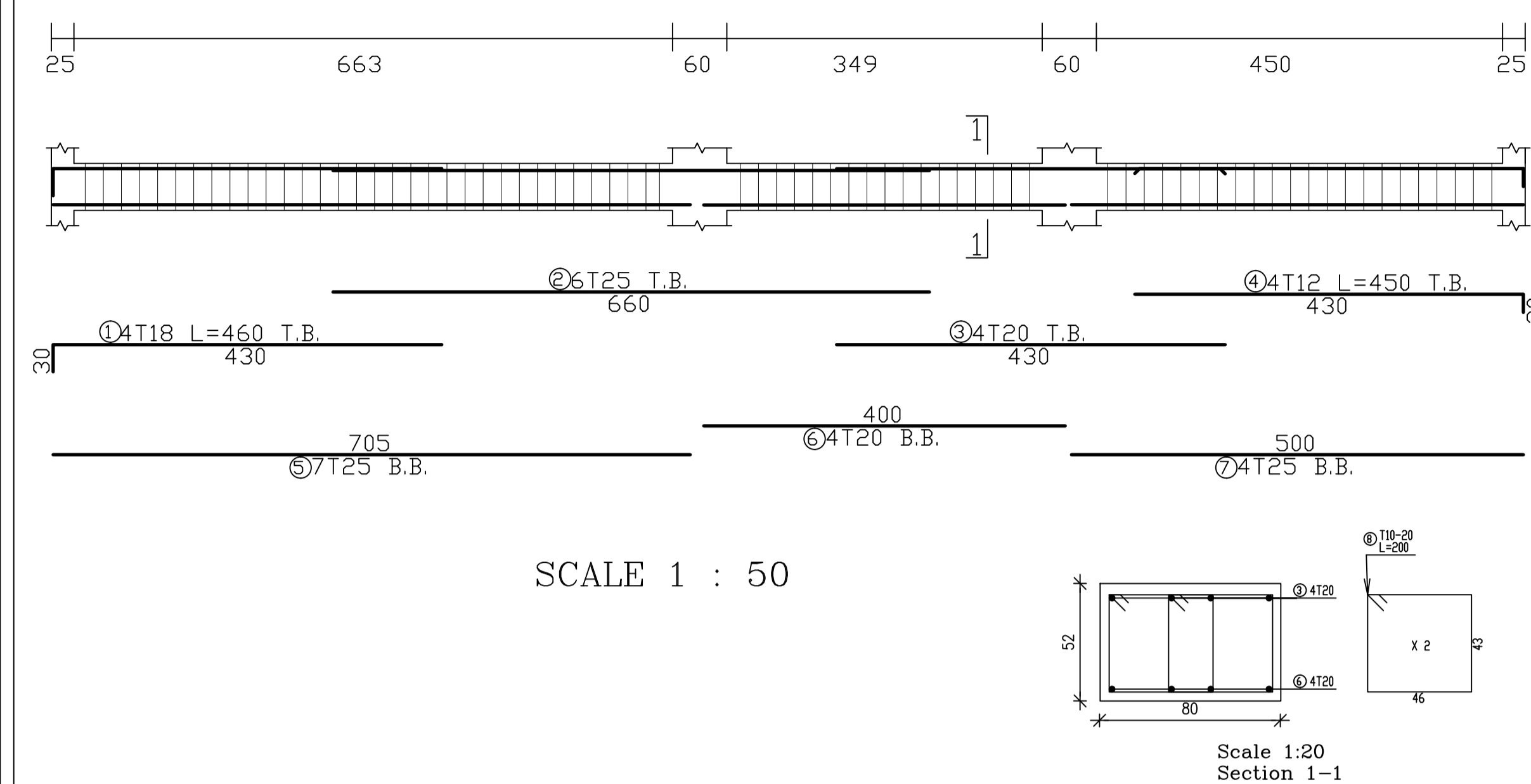
Scale INDICATED

Date January-2024

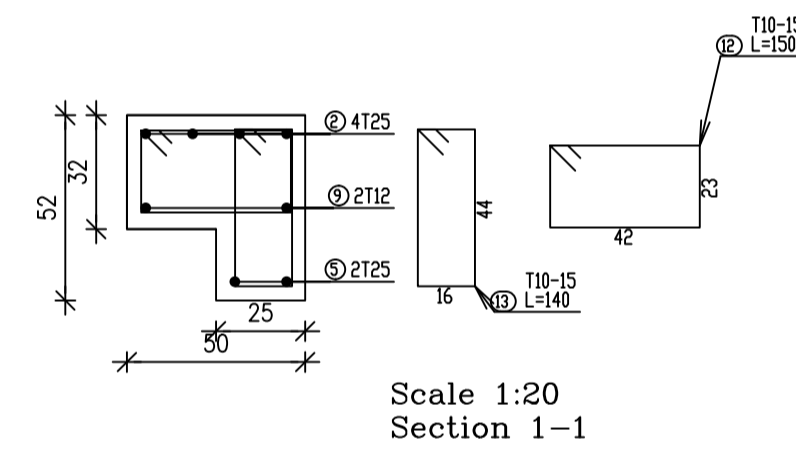
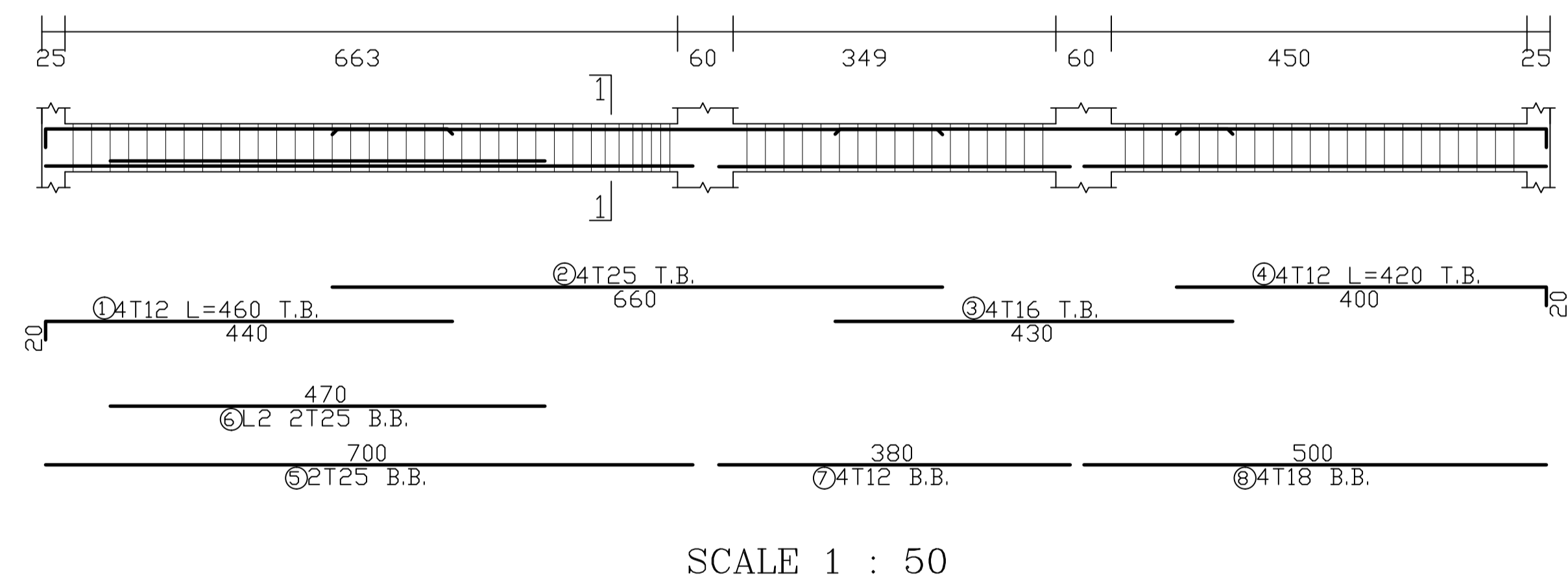
Beam:G06 & R06



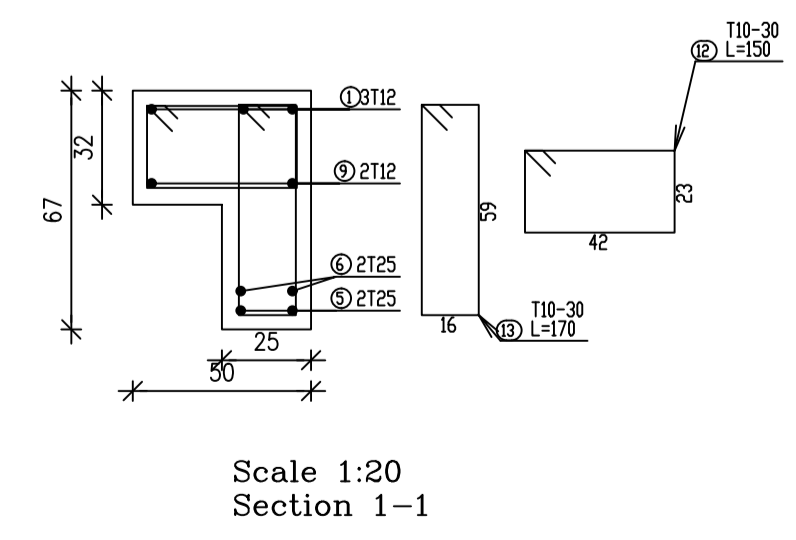
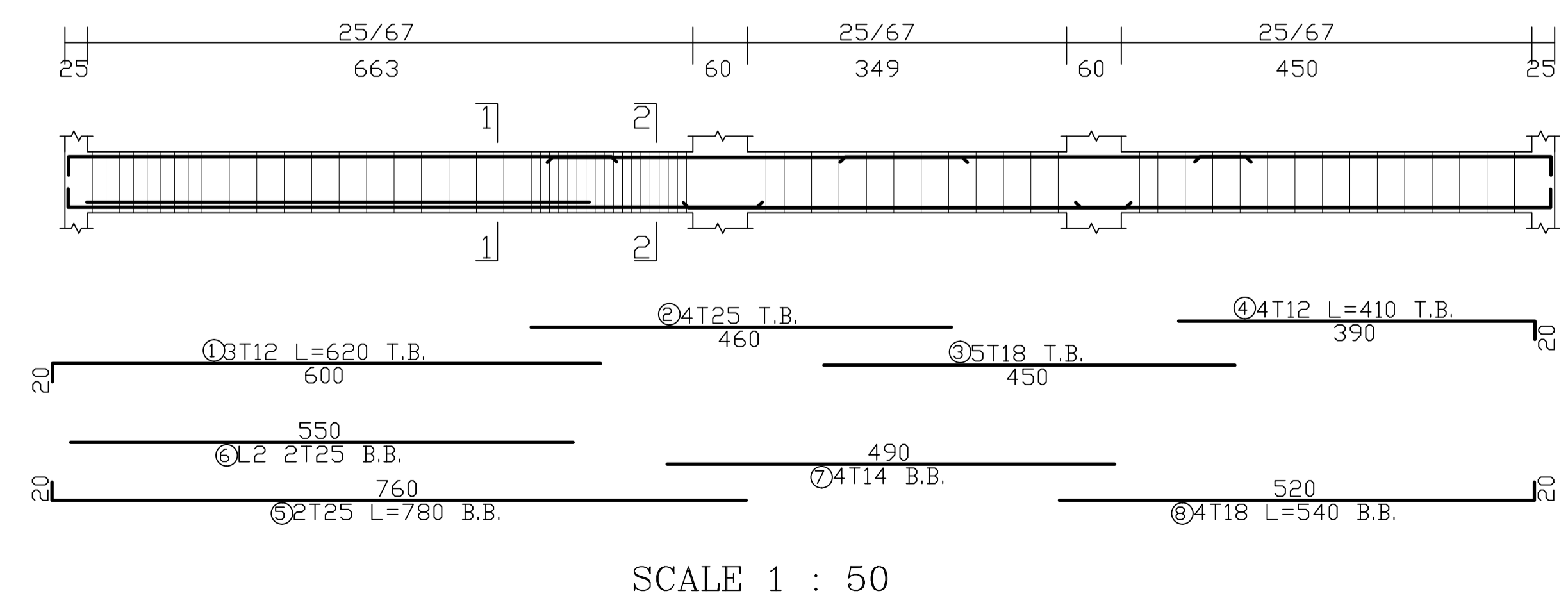
Beam:F06 & S06 & T06



Beam:G07 & R07



Beam:F07

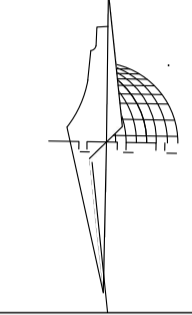


Palestine Polytechnic University

Engineering College

Civil Engineering

N



Supervised by :

Eng. Inas Shweki

Designed by:

Maisa Al-Atrash
205148

Sojoud Rjoob
185293

Note :

Project name:

Al-Samu Hospital

Drawing title :

BEAMS DETAILS

Sheet NO. S08-C

Units cm

Scale INDICATED

Date January-2024

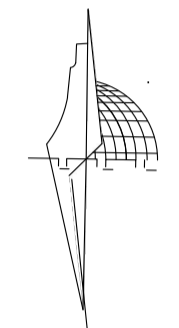


Palestine Polytechnic University

Engineering College

Civil Engineering

N



Supervised by :

Eng. Inas Shweki

Designed by:

Maisa Al-Atrash
205148

Sojoud Rjoob
185293

Note :

Project name:

Al-Samu Hospital

Drawing title :

BEAMS DETAILS

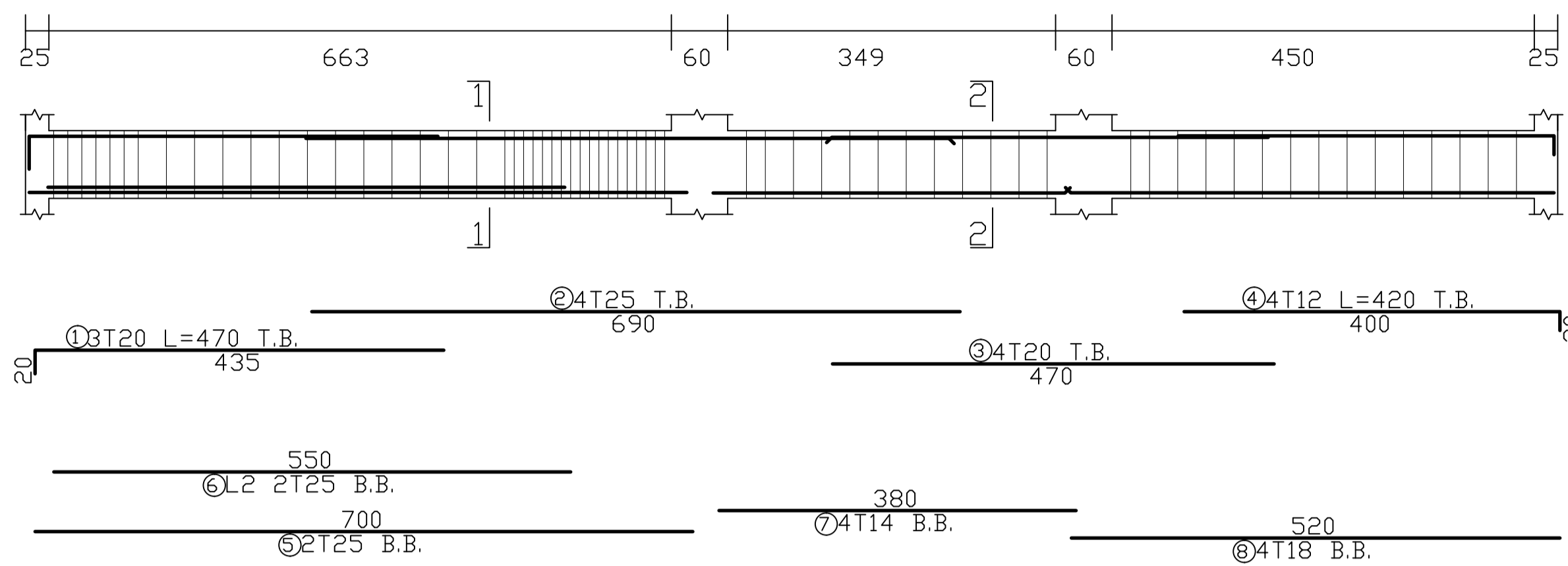
Sheet NO. S08-D

Units cm

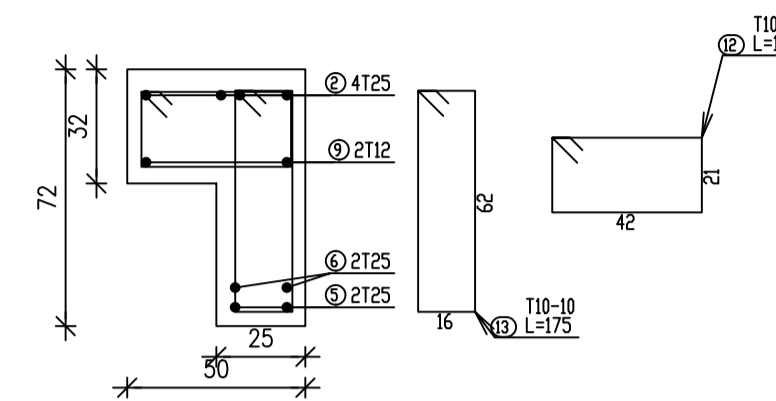
Scale INDICATED

Date January-2024

Beam:S07

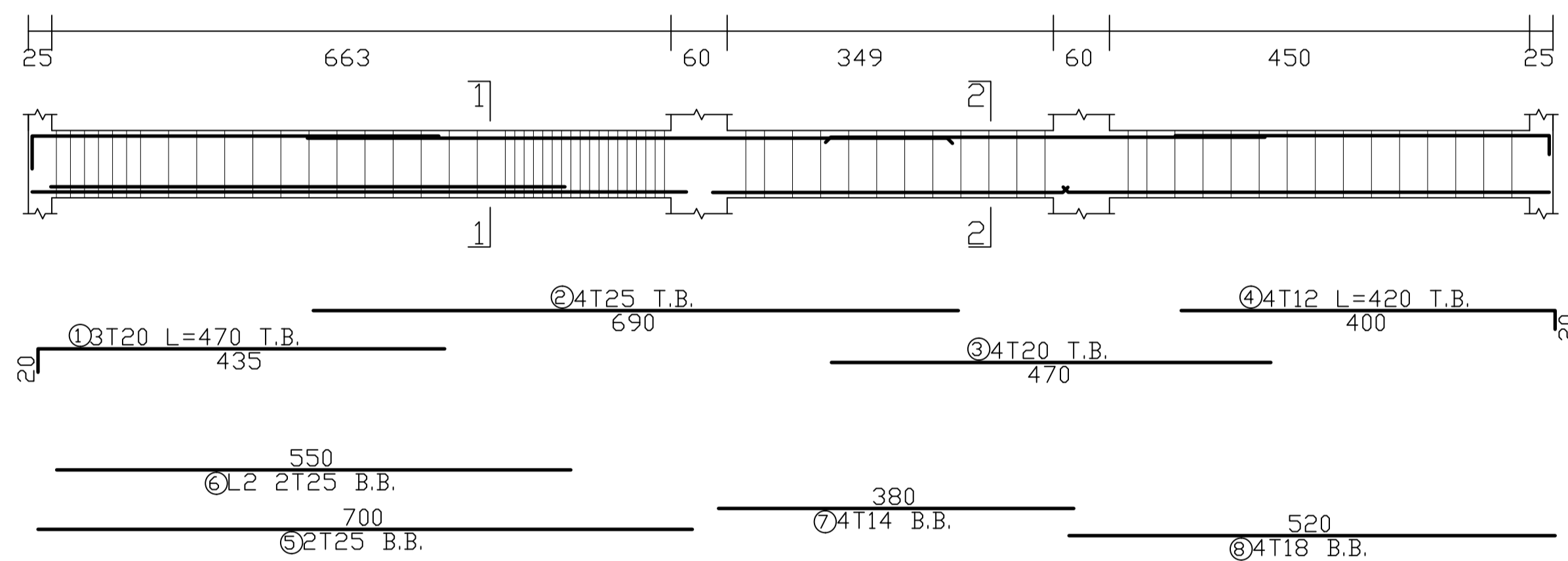


SCALE 1 : 50

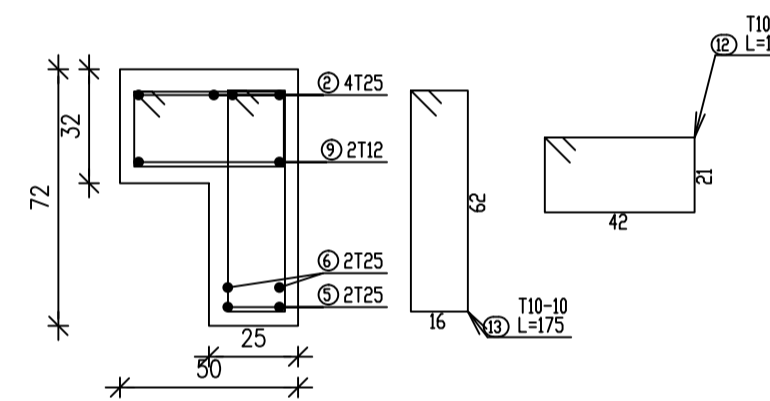


Scale 1:20
Section 1-1

Beam:T07

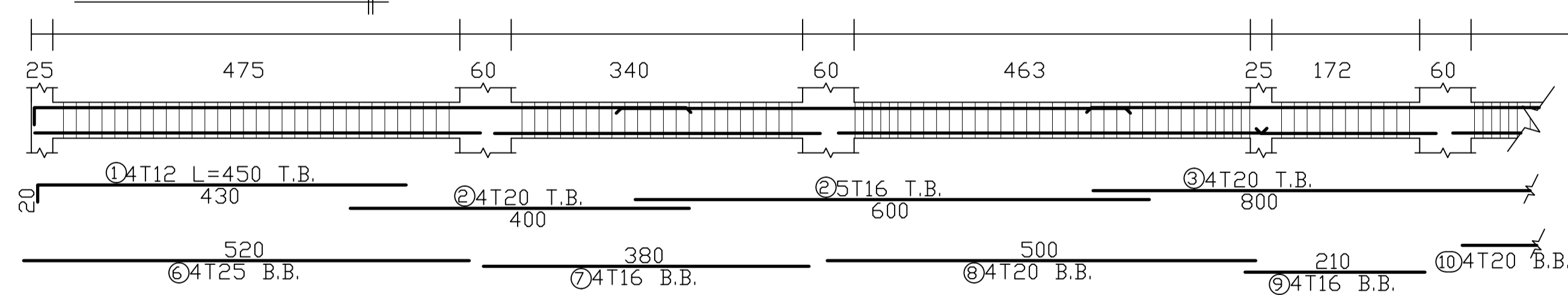


SCALE 1 : 50

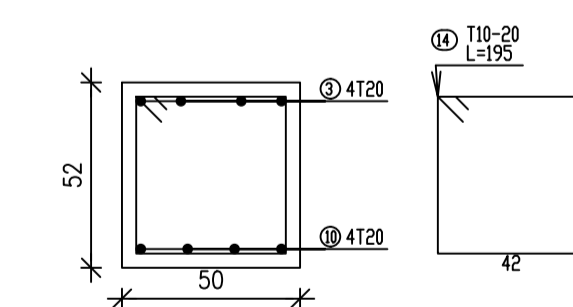
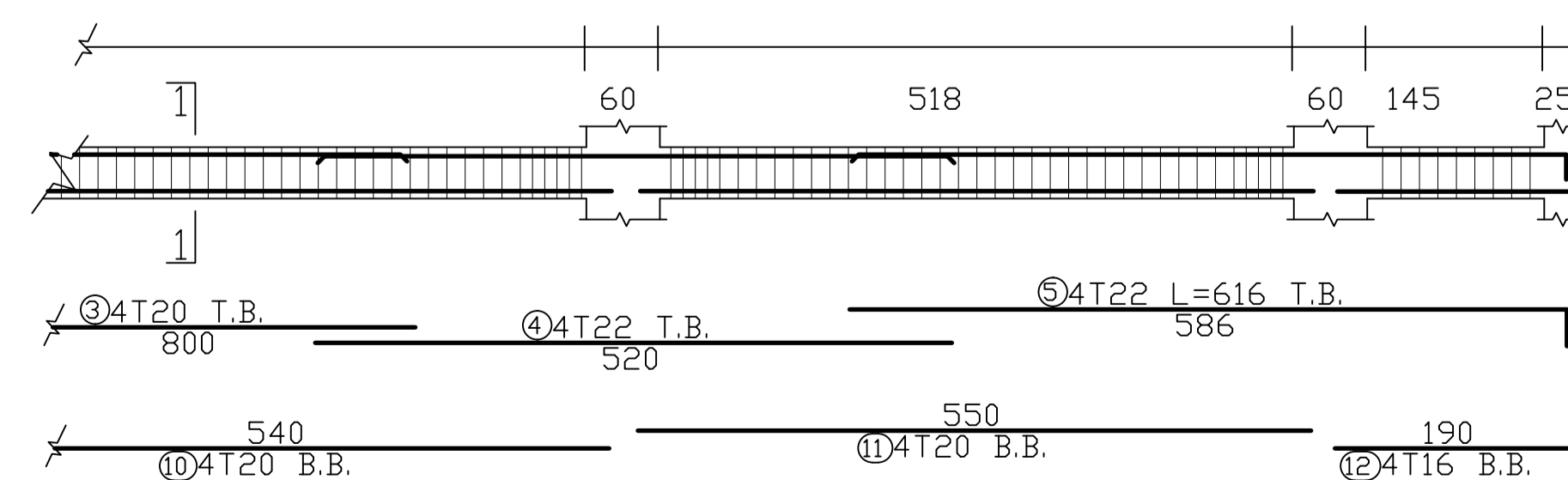


Scale 1:20
Section 1-1

Beam:G08

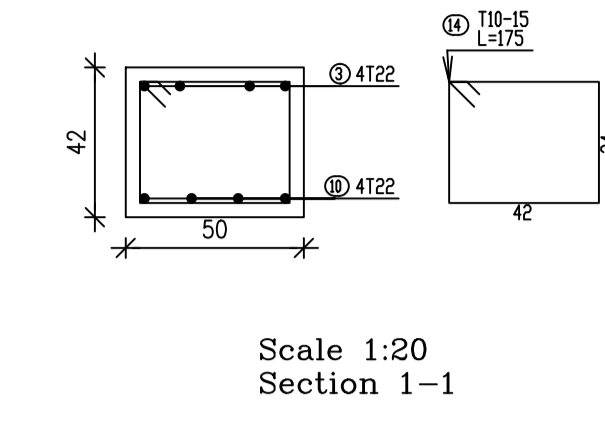
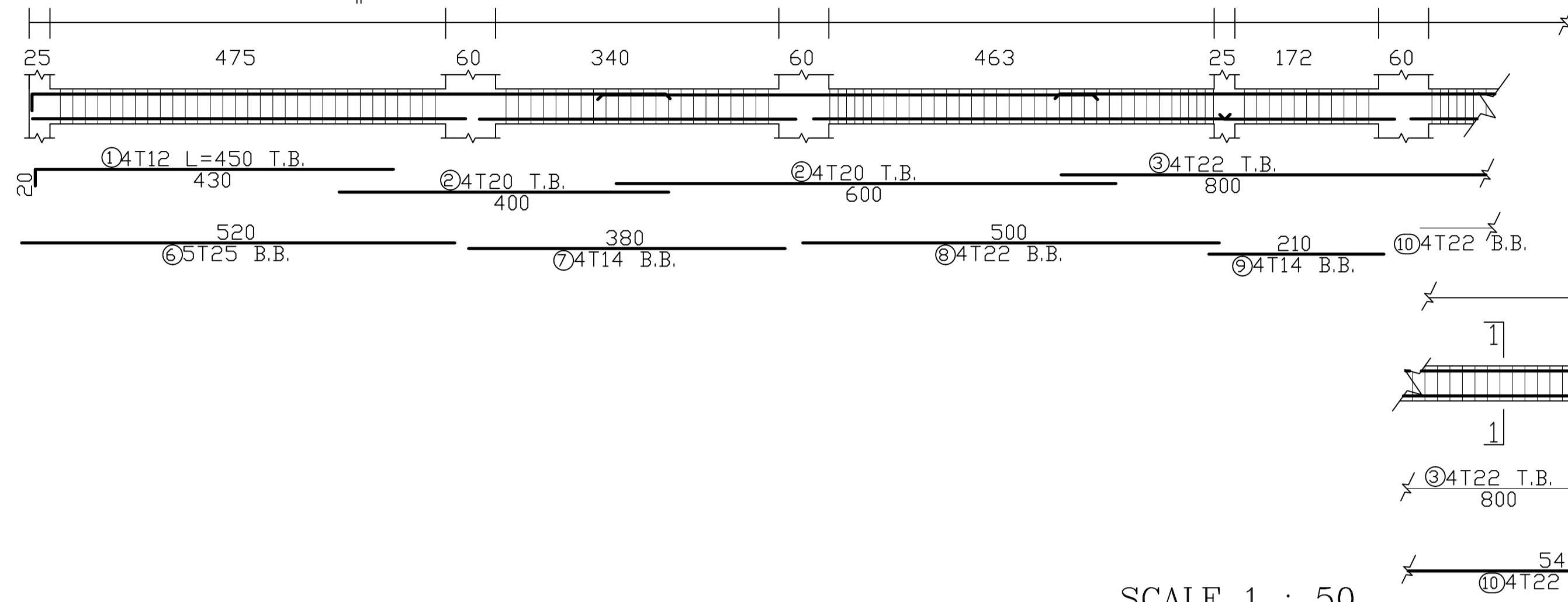


SCALE 1 : 50



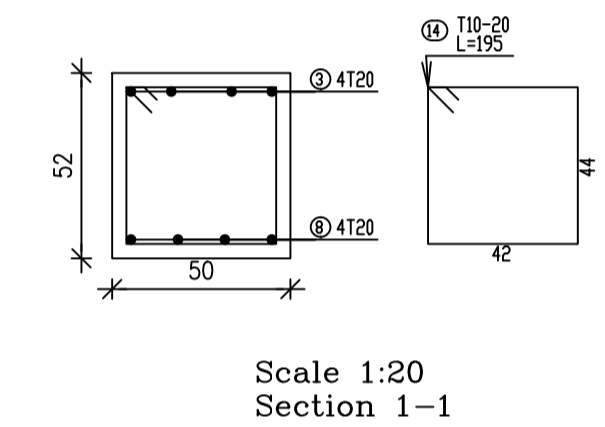
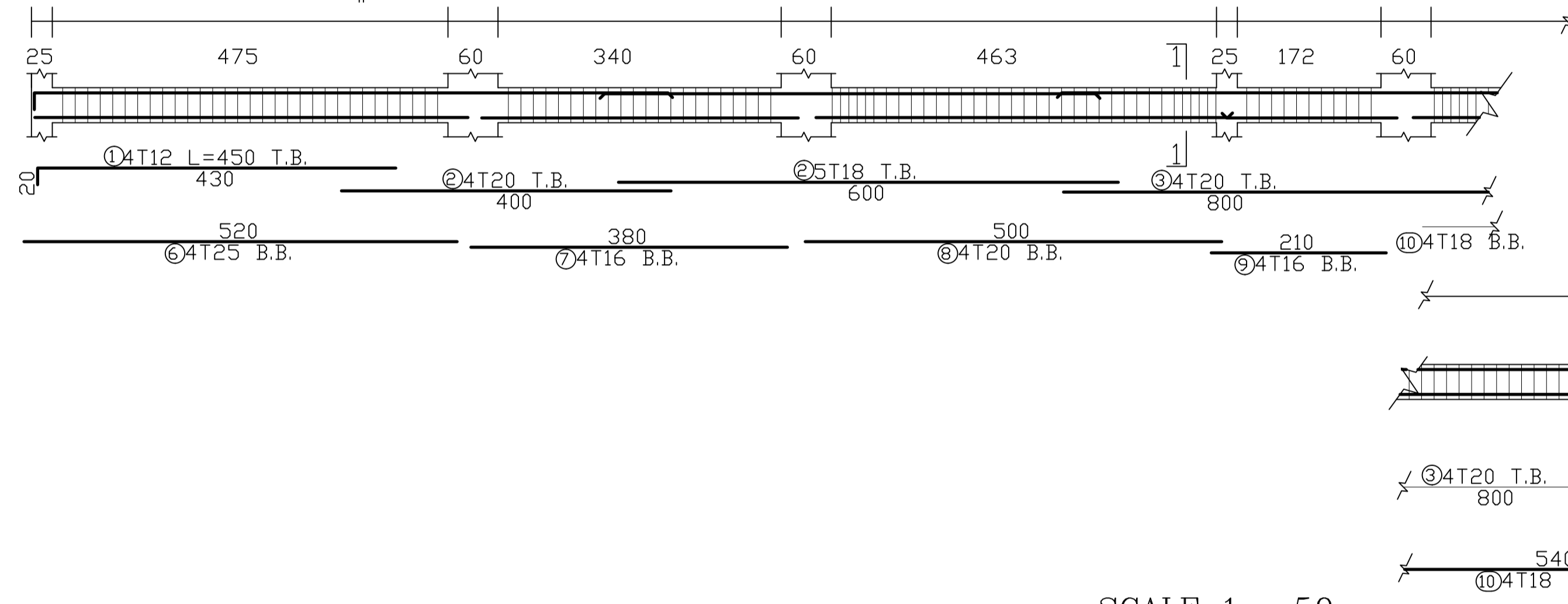
Scale 1:20
Section 1-1

Beam:F08



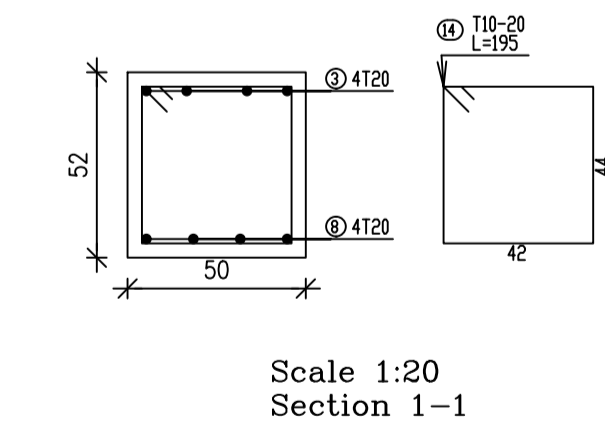
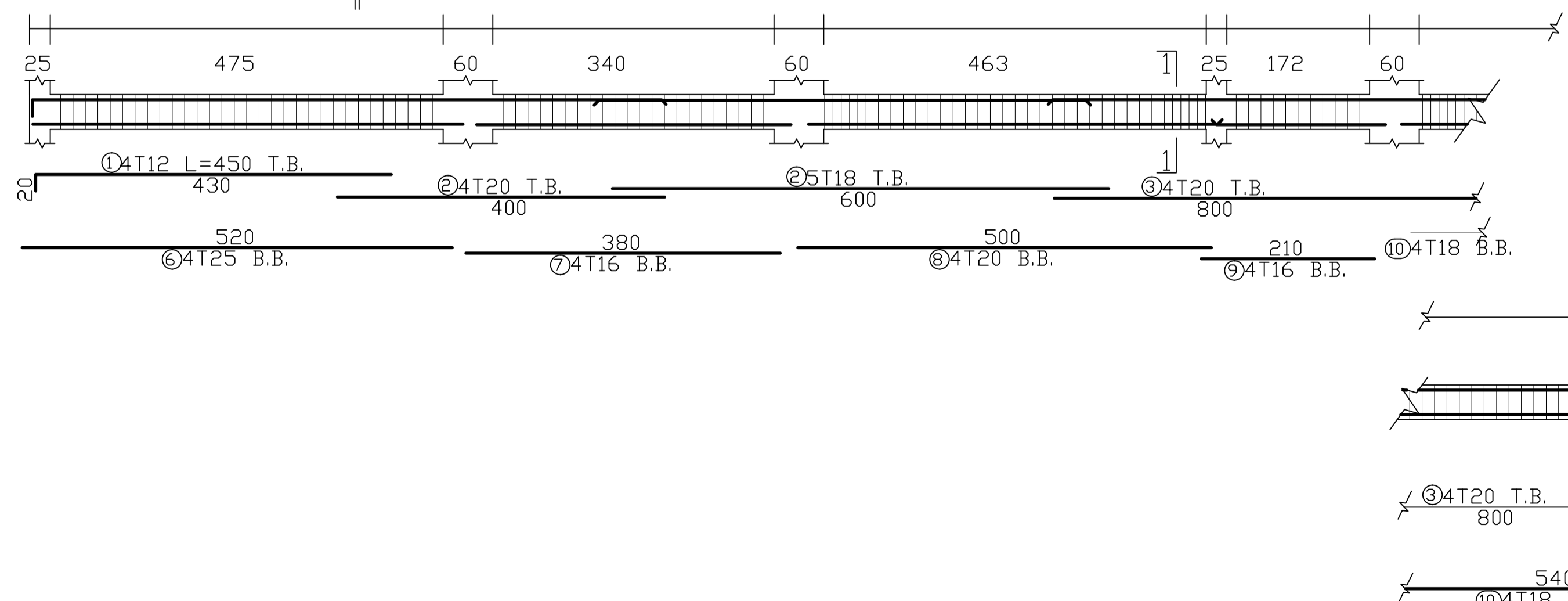
SCALE 1 : 50

Beam:S08



SCALE 1 : 50

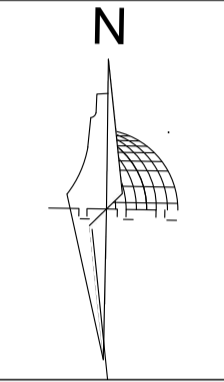
Beam:T08



SCALE 1 : 50



Palestine Polytechnic University
Engineering College
Civil Engineering



Supervised by :
Eng. Inas Shweki

Designed by:
Maisa Al-Atrash 205148
Sojoud Rjoob 185293

Note :

Project name:
Al-Samu Hospital

Drawing title :
BEAMS DETAILS

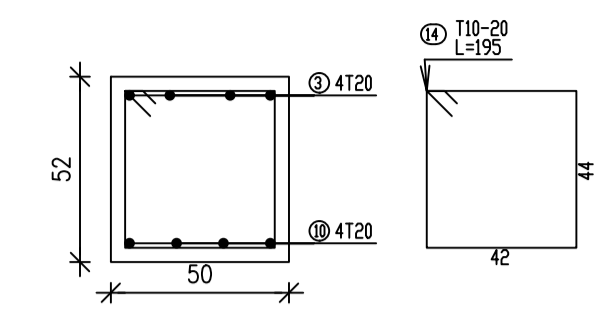
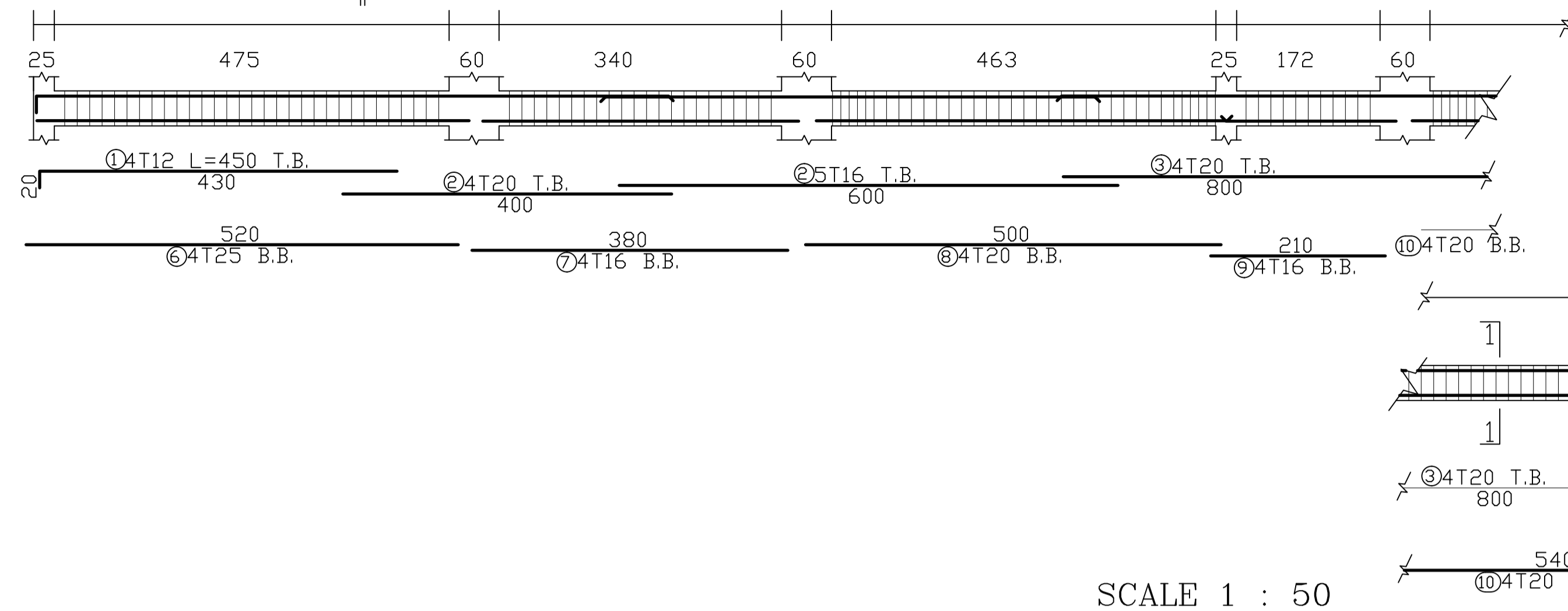
Sheet NO. S08-E

Units cm

Scale INDICATED

Date January-2024

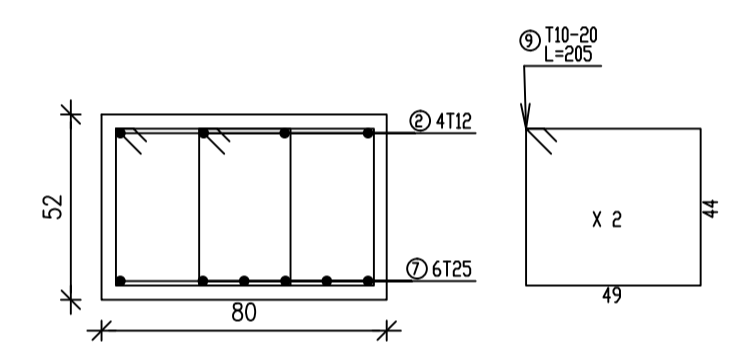
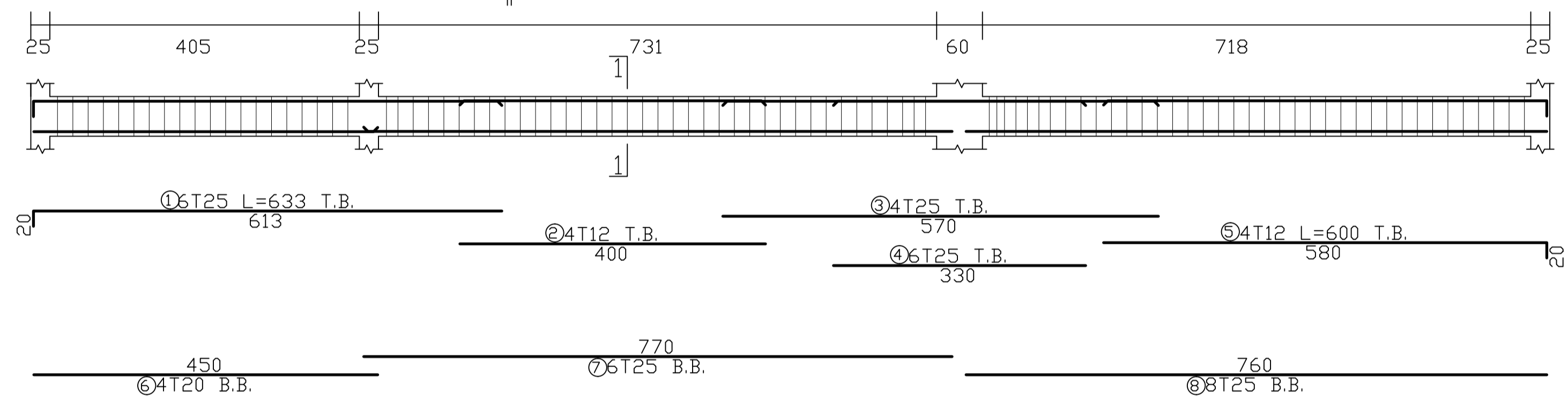
Beam: R08



Scale 1:20
Section 1-1

SCALE 1 : 50

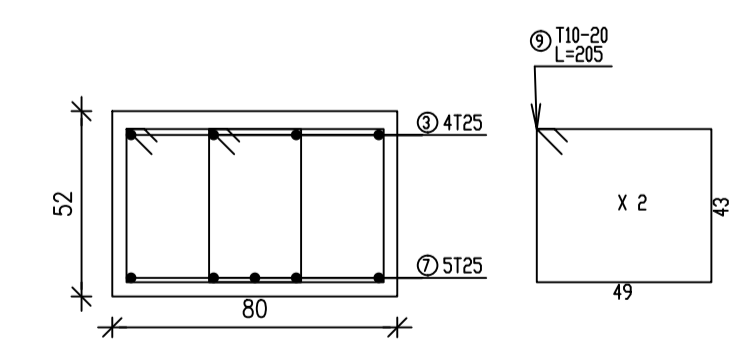
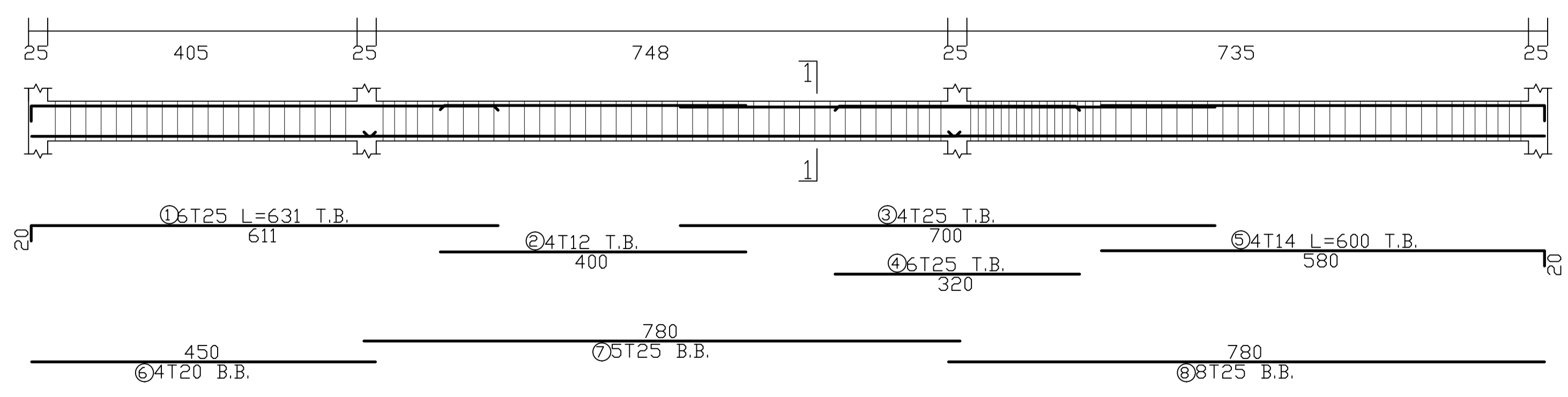
Beam: G09 & R09



Scale 1:20
Section 1-1

SCALE 1 : 50

Beam: F09 & S09 & T09

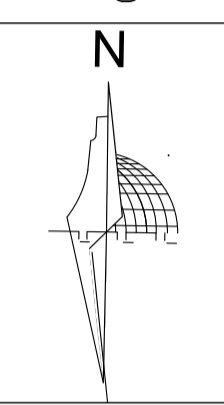


Scale 1:20
Section 1-1

SCALE 1 : 50



Palestine Polytechnic University
Engineering College
Civil Engineering



Supervised by :
Eng. Inas Shweki

Designed by:
Maisa Al-Atrash 205148
Sojoud Rjoob 185293

Note :

Project name:
Al-Samu Hospital

Drawing title :
BEAMS DETAILS

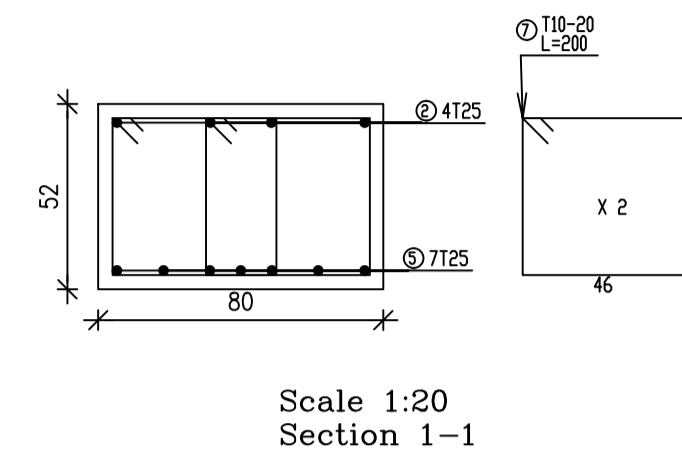
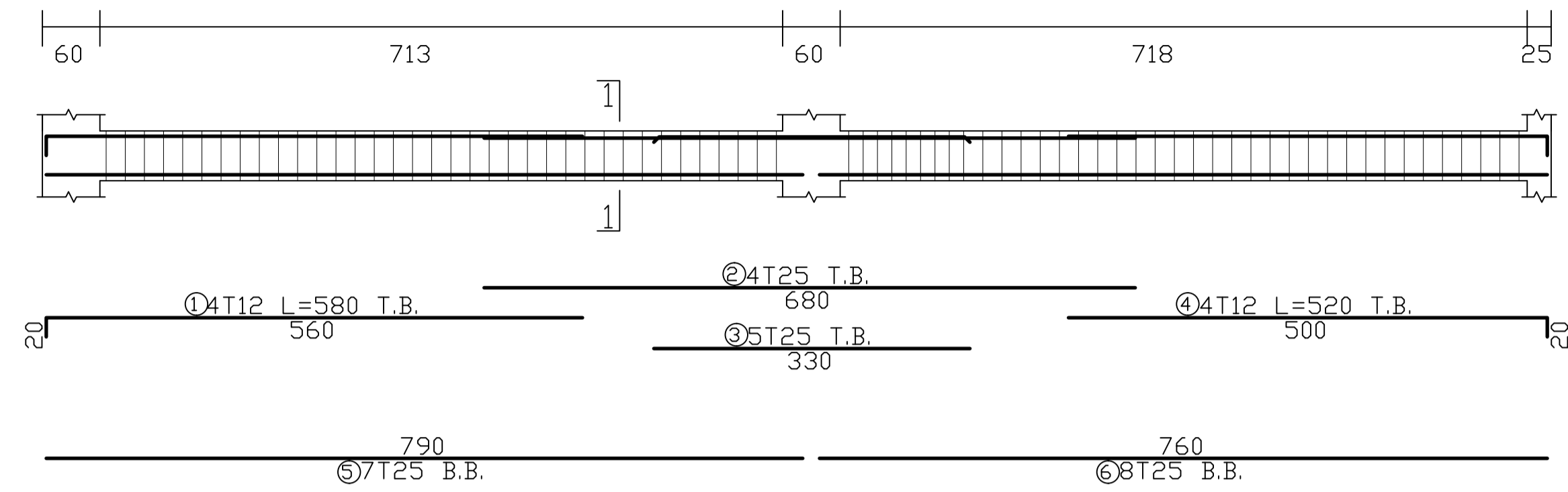
Sheet NO. S08-F

Units cm

Scale INDICATED

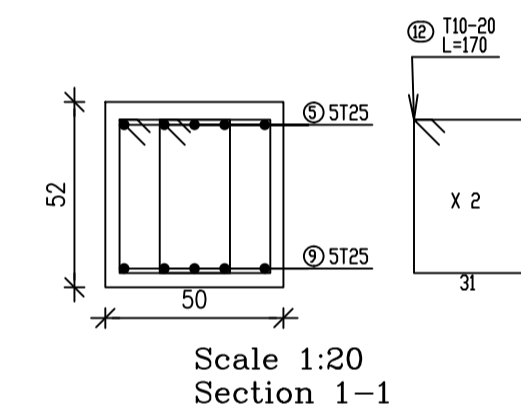
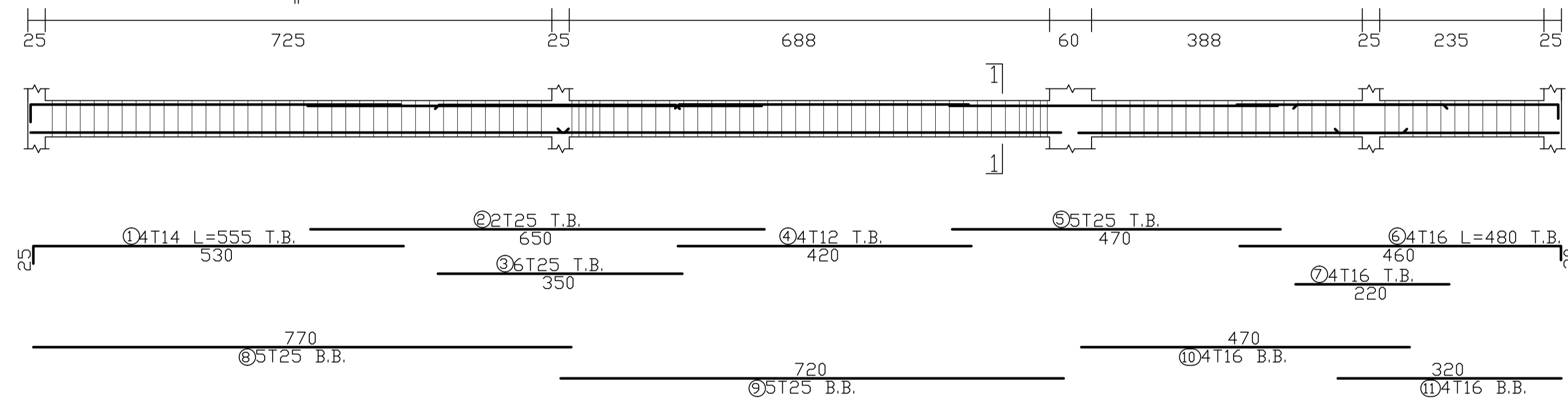
Date January-2024

Beam:10



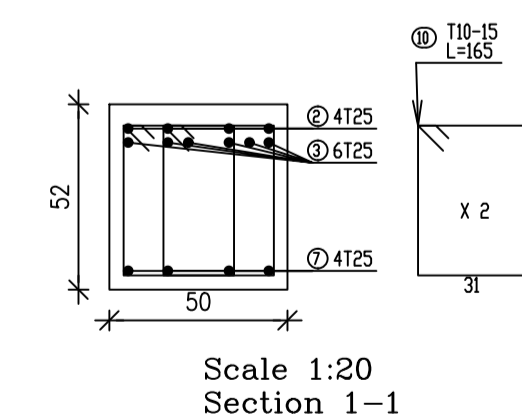
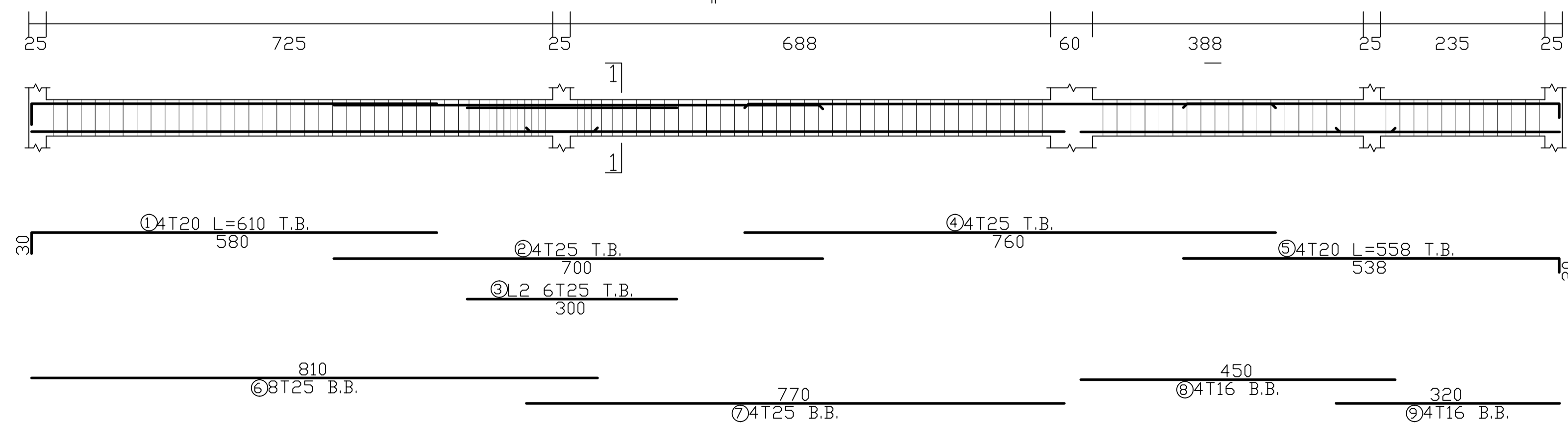
SCALE 1 : 50

Beam:G11



SCALE 1 : 50

Beam:F11 & S11 & T11 & R11



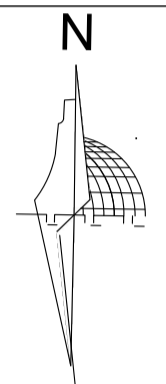
SCALE 1 : 50



Palestine Polytechnic University

Engineering College

Civil Engineering



Supervised by :

Eng. Inas Shweki

Designed by:

Maisa Al-Atrash
205148

Sojoud Rjoob
185293

Note :

Project name:

Al-Samu Hospital

Drawing title :

BEAMS DETAILS

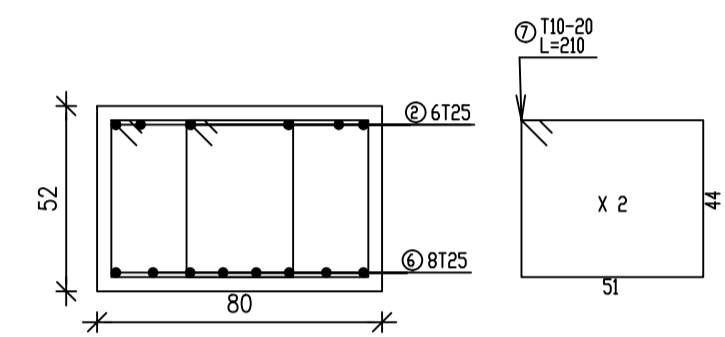
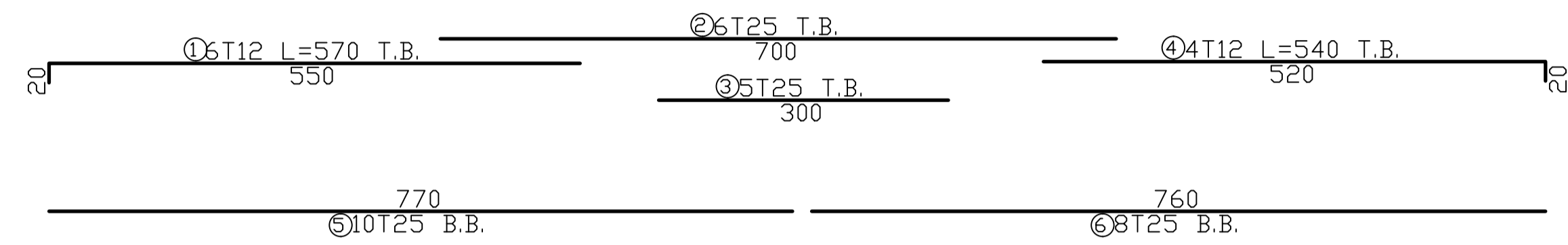
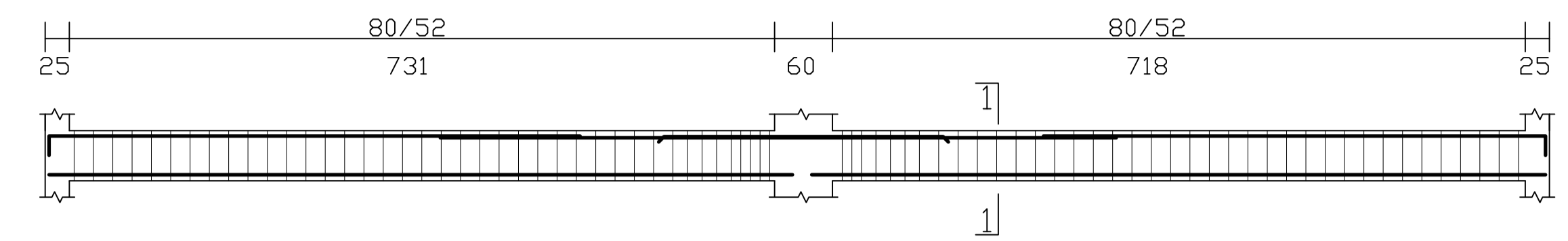
Sheet NO. S08-G

Units cm

Scale INDICATED

Date January-2024

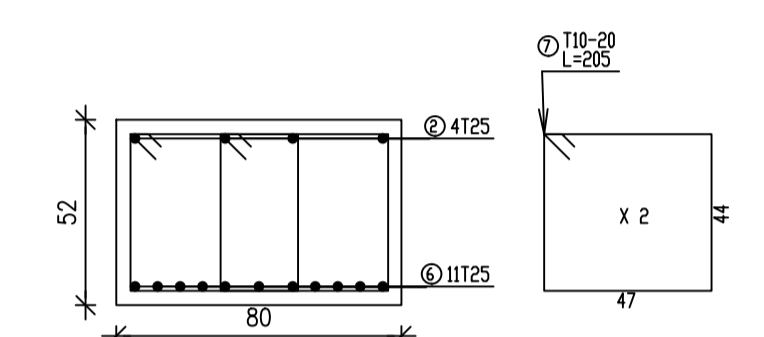
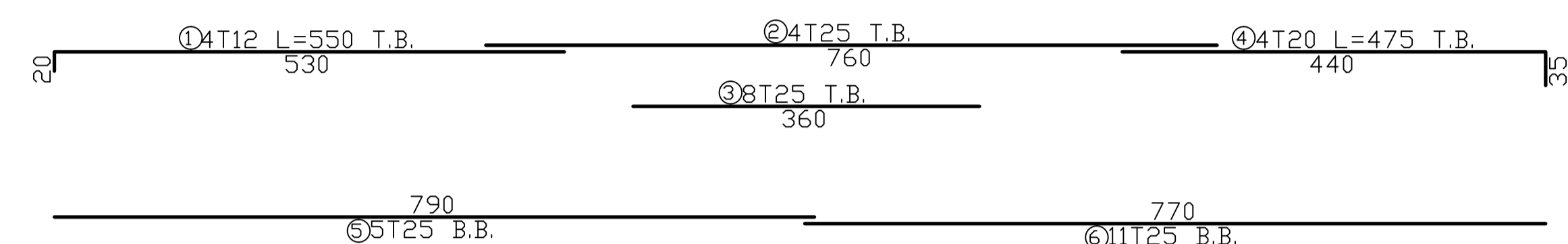
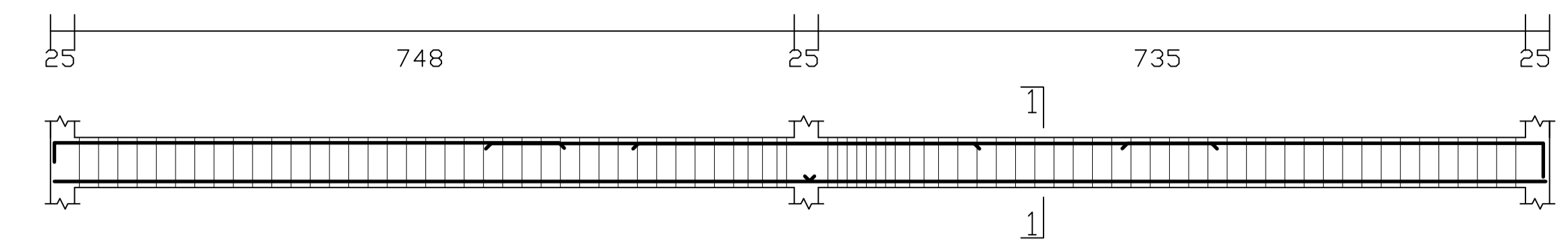
Beam:12



SCALE 1 : 50

Scale 1:20
Section 1-1

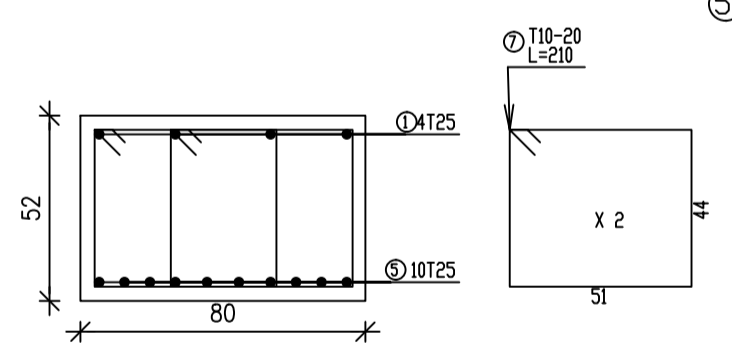
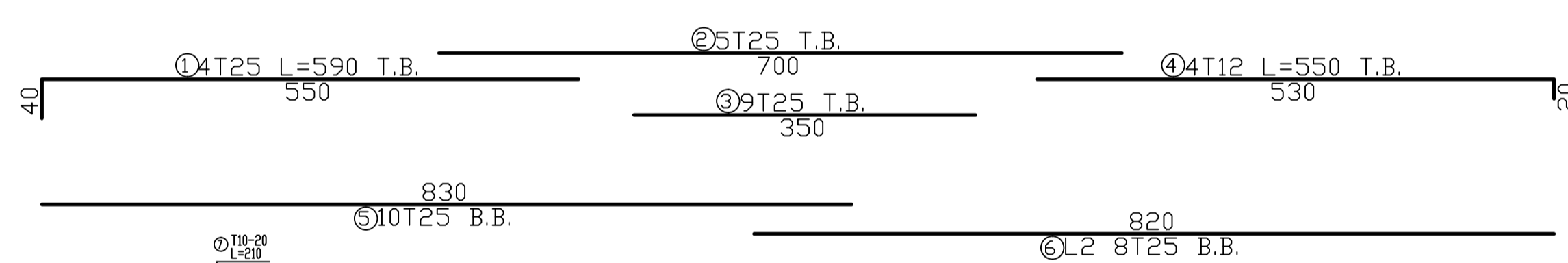
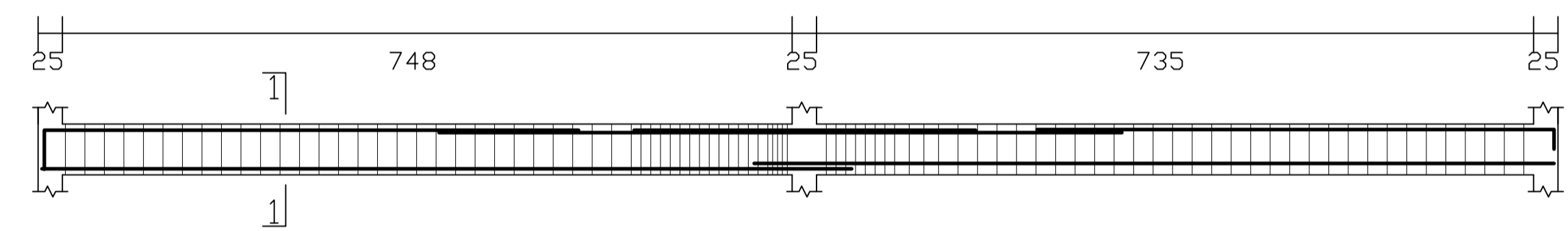
Beam:13



SCALE 1 : 50

Scale 1:20
Section 1-1

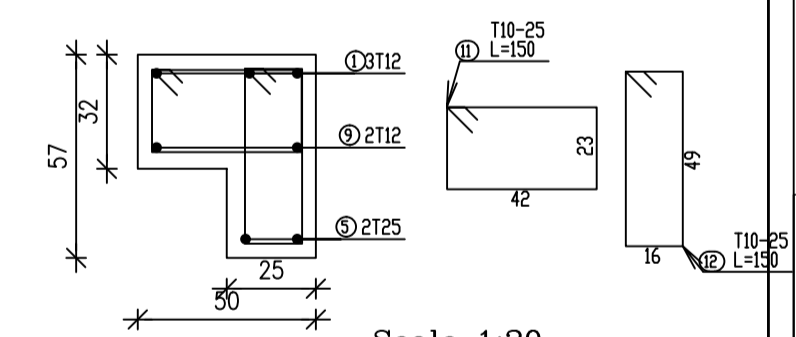
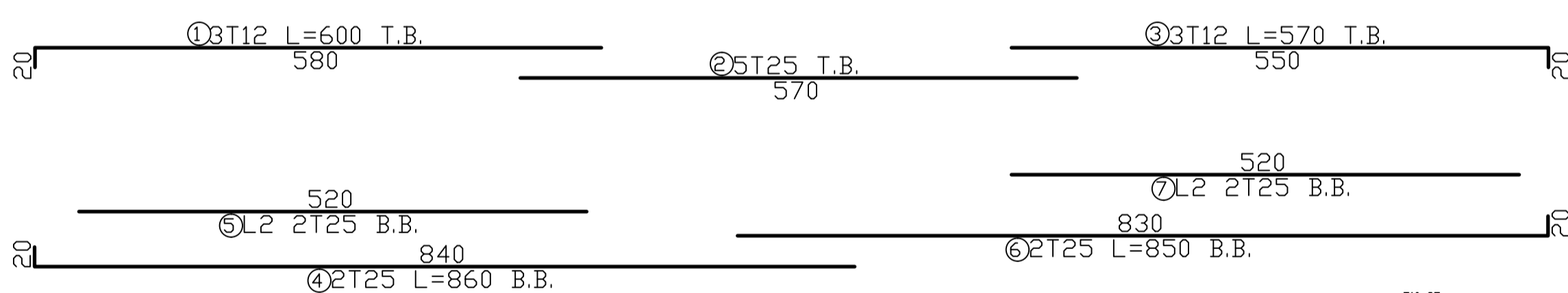
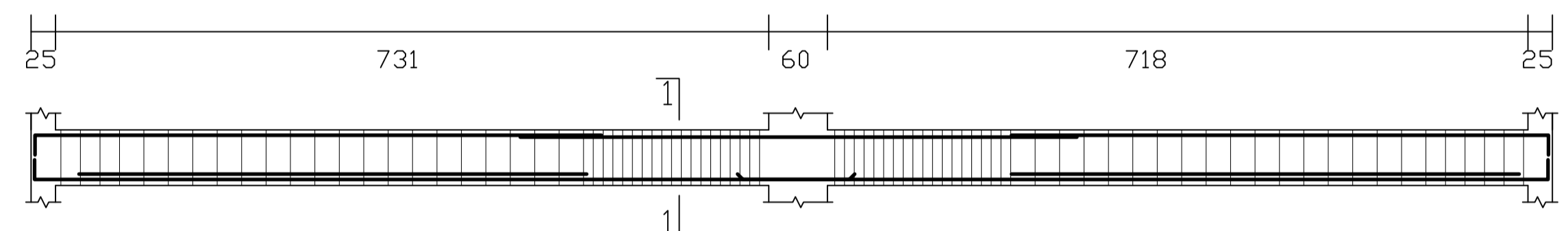
Beam:14



SCALE 1 : 50

Scale 1:20
Section 1-1

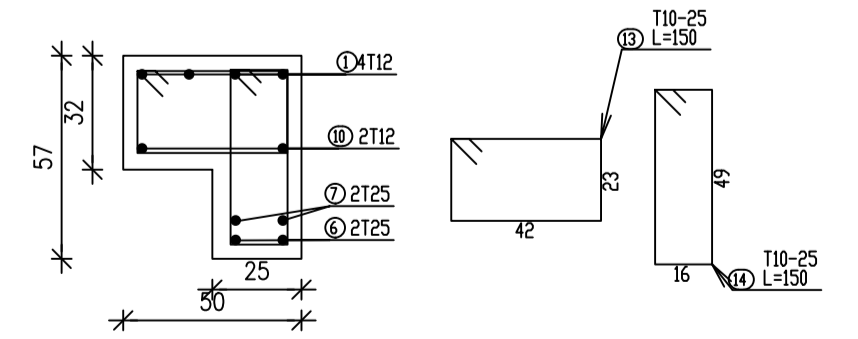
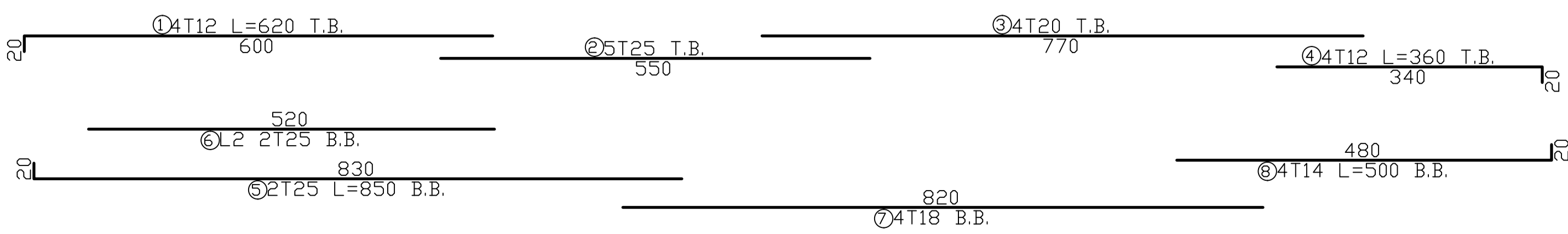
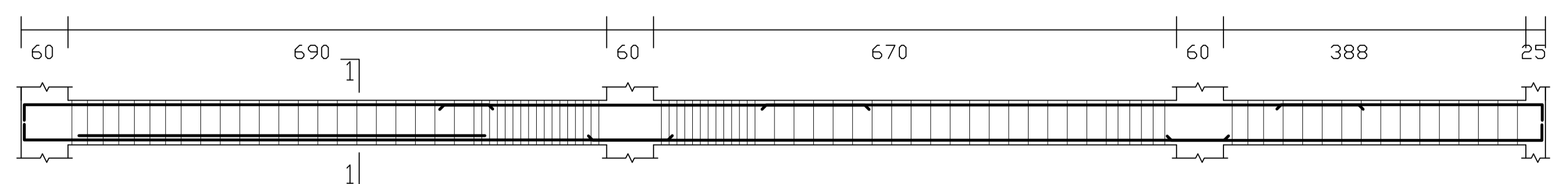
Beam:15



SCALE 1 : 50

Scale 1:20
Section 1-1

Beam:16



SCALE 1 : 50

Scale 1:20
Section 1-1

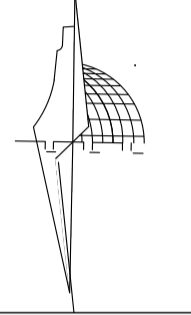


Palestine Polytechnic University

Engineering College

Civil Engineering

N



Supervised by :

Eng. Inas Shweki

Designed by:

Maisa Al-Atrash
205148

Sojoud Rjoob
185293

Note :

Project name:

Al-Samu Hospital

Drawing title :

BEAMS DETAILS

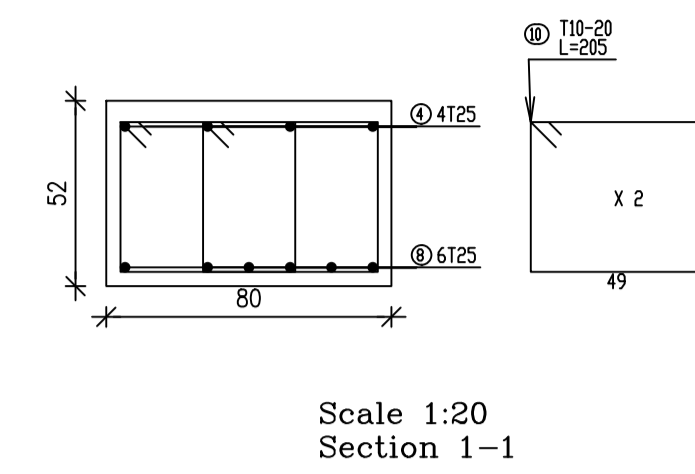
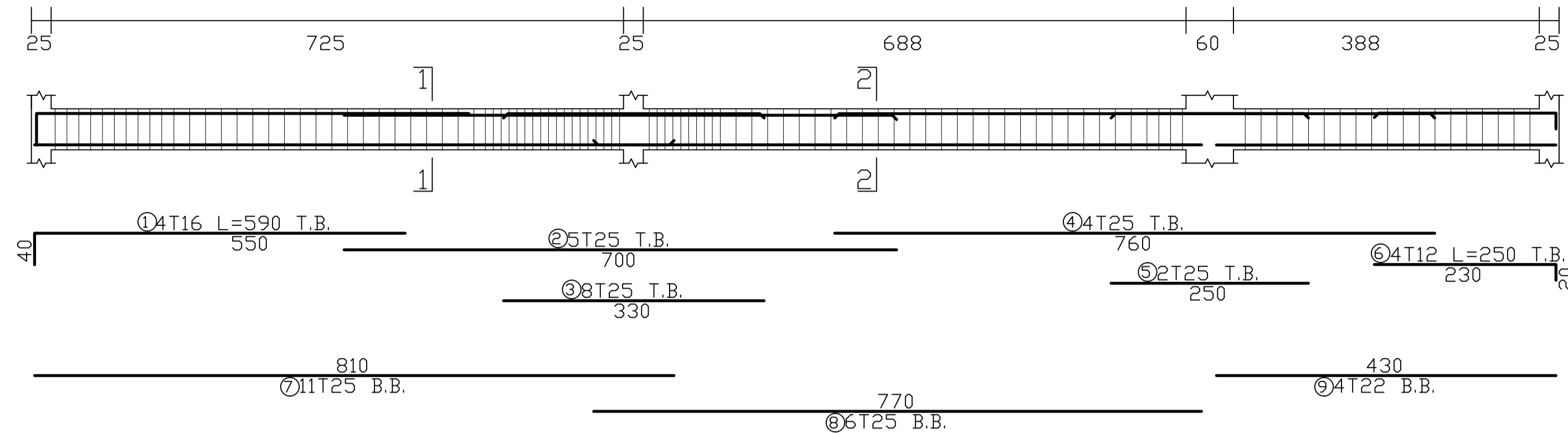
Sheet NO. **S08-H**

Units cm

Scale INDICATED

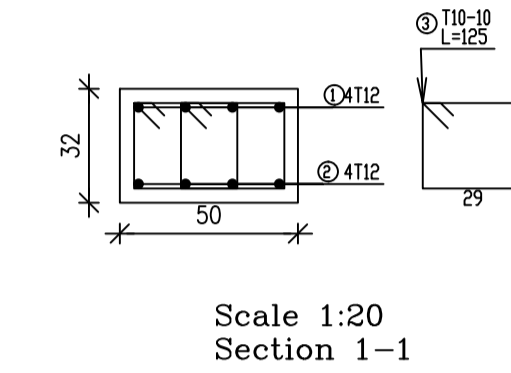
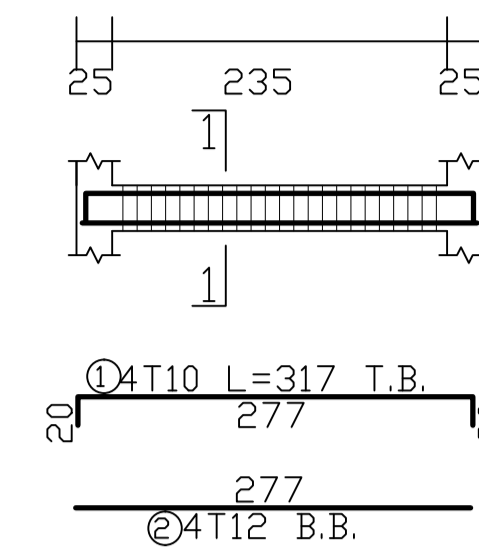
Date January-2024

Beam:17



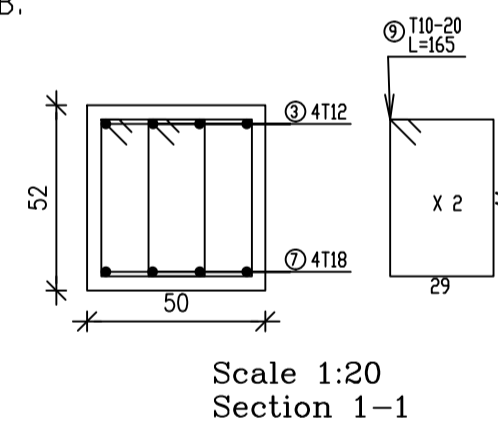
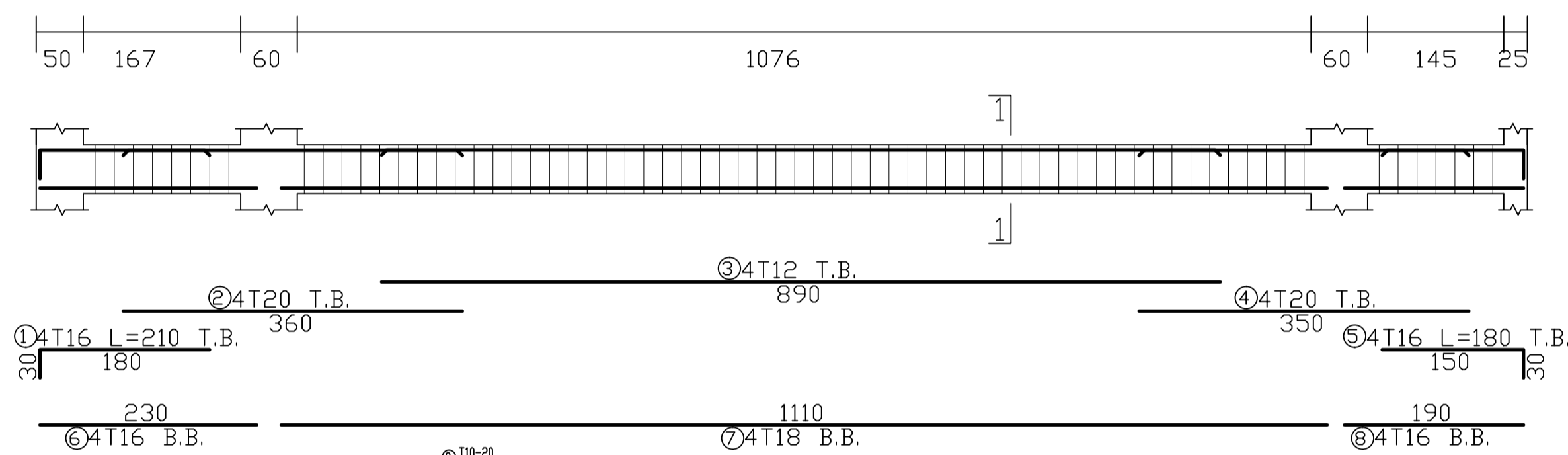
SCALE 1 : 50

Beam:18



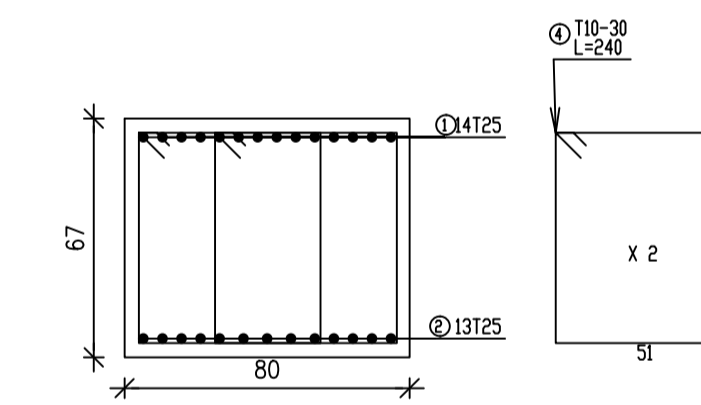
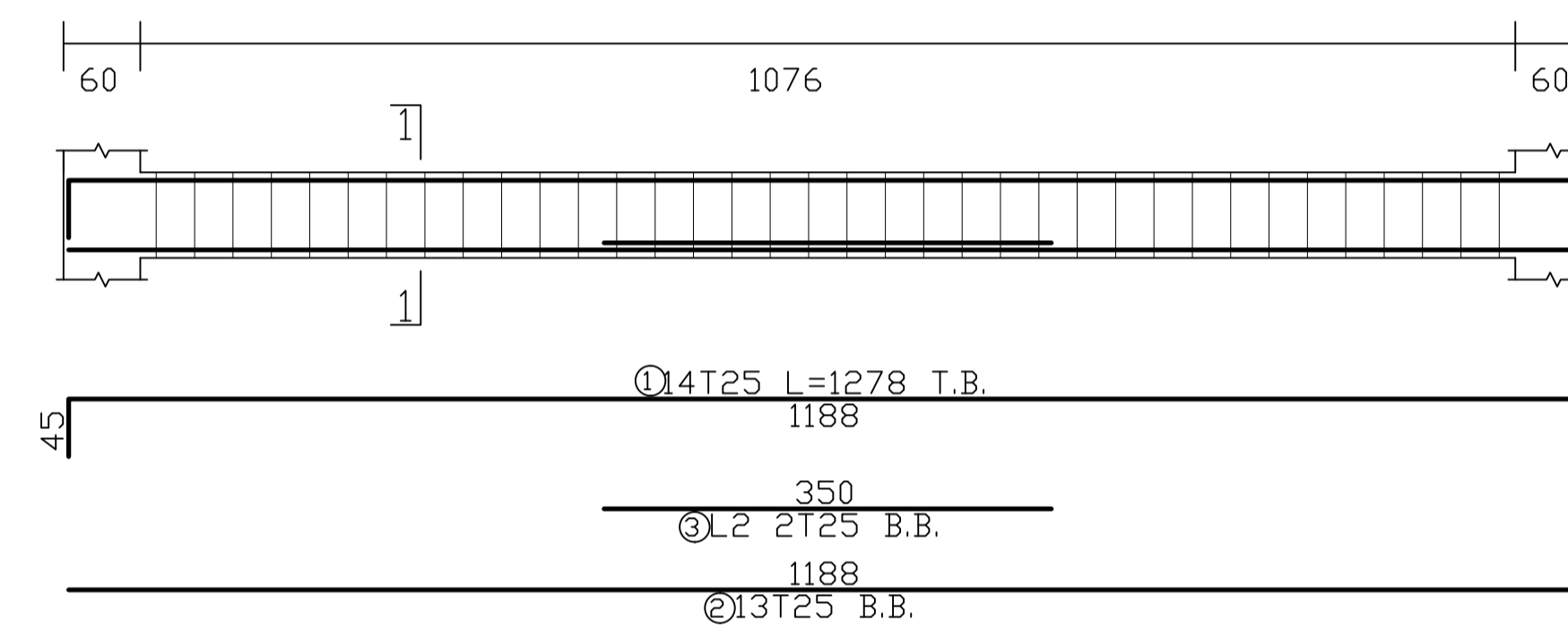
SCALE 1 : 50

Beam:G19



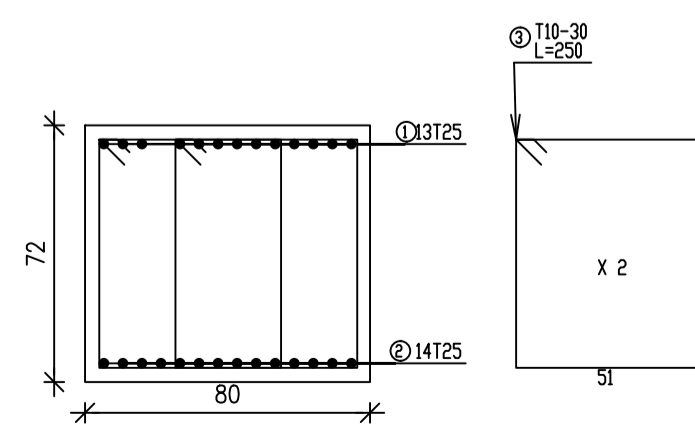
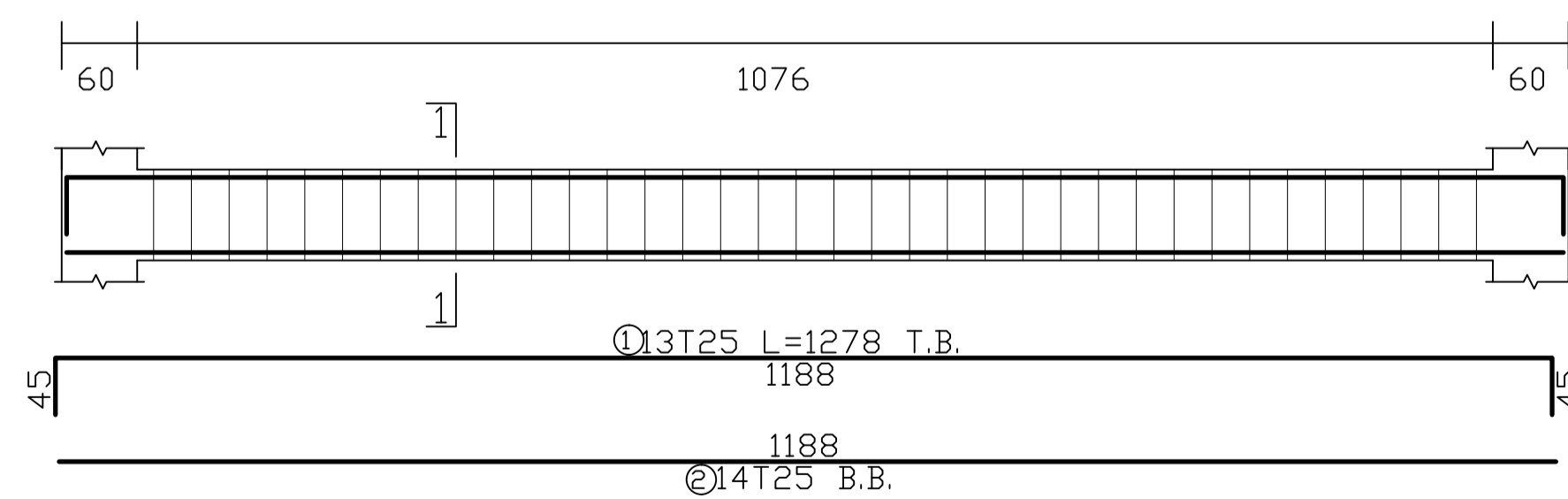
SCALE 1 : 50

Beam:S19



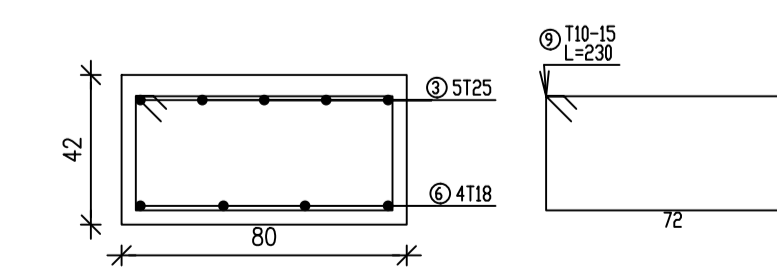
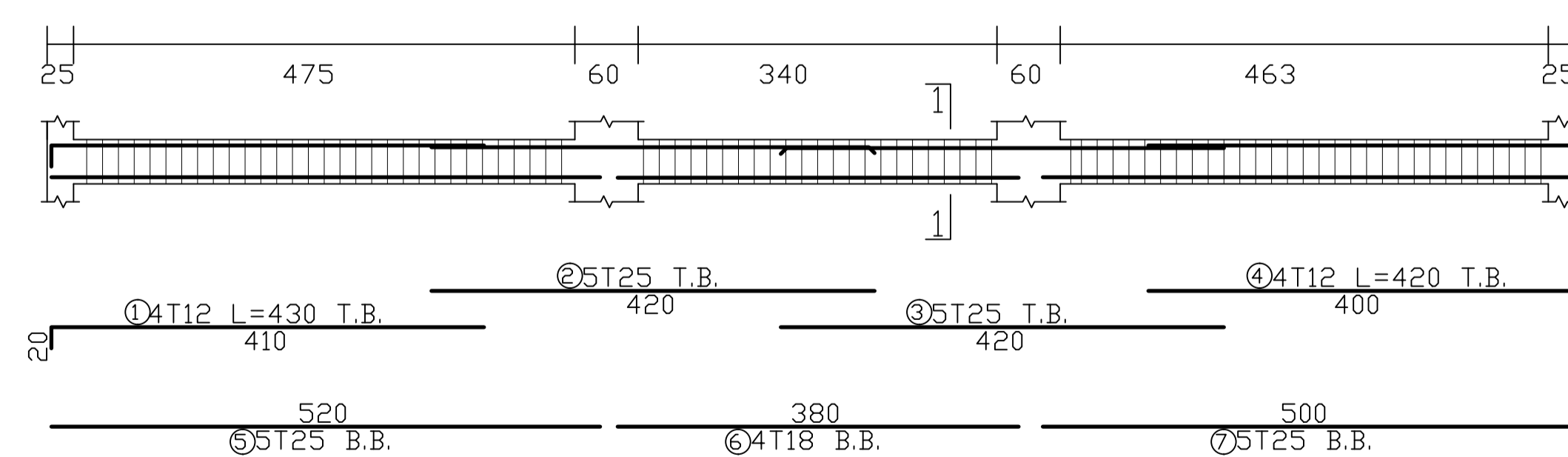
SCALE 1 : 50

Beam:T19



SCALE 1 : 50

Beam:G20



SCALE 1 : 50

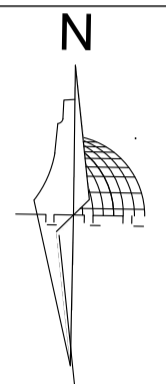
Scale 1:20
Section 1-1



Palestine Polytechnic University

Engineering College

Civil Engineering



Supervised by :

Eng. Inas Shweki

Designed by:

Maisa Al-Atrash
205148

Sojoud Rjoob
185293

Note :

Project name:

Al-Samu Hospital

Drawing title :

BEAMS DETAILS

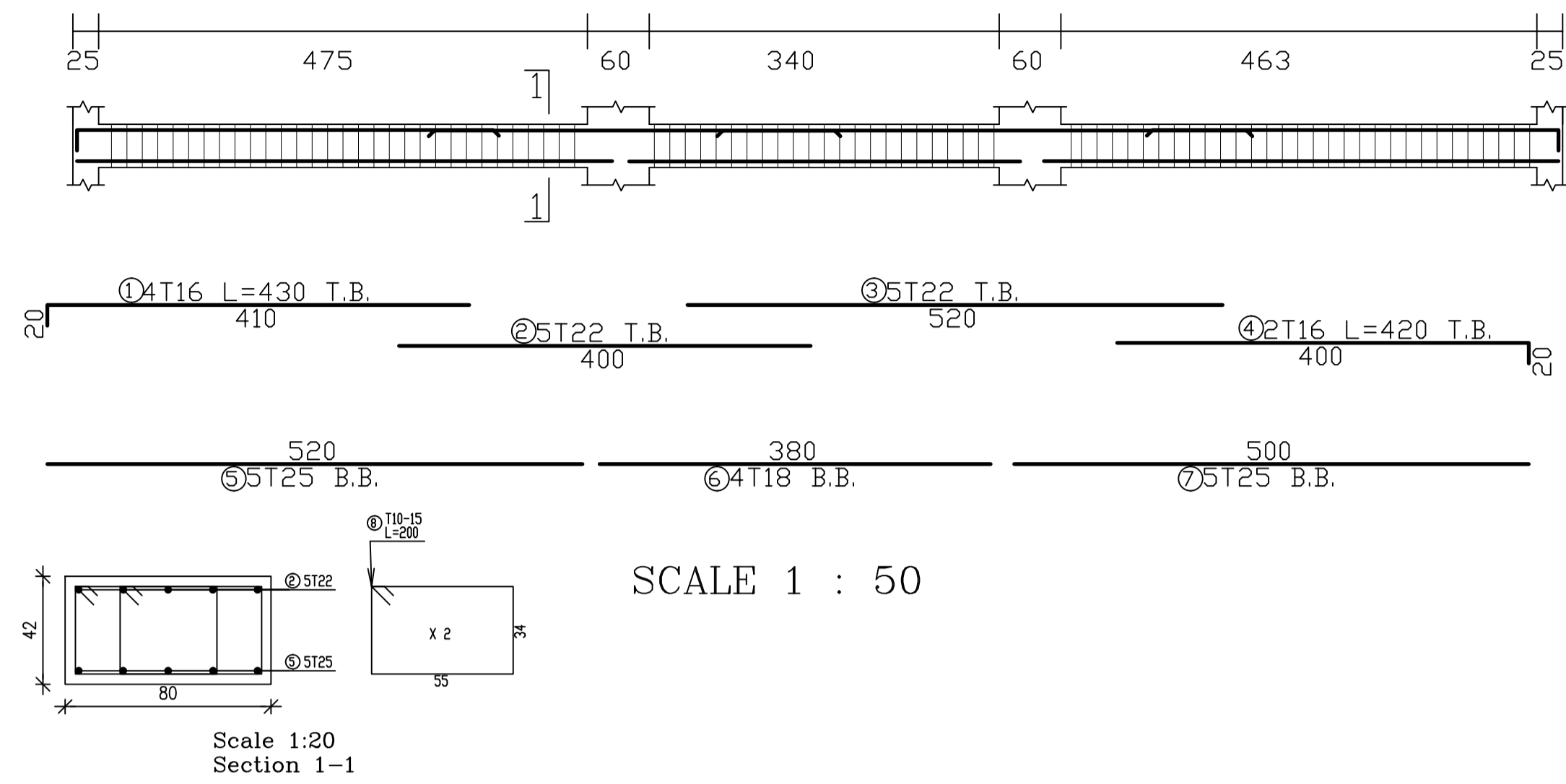
Sheet NO. S08-I

Units cm

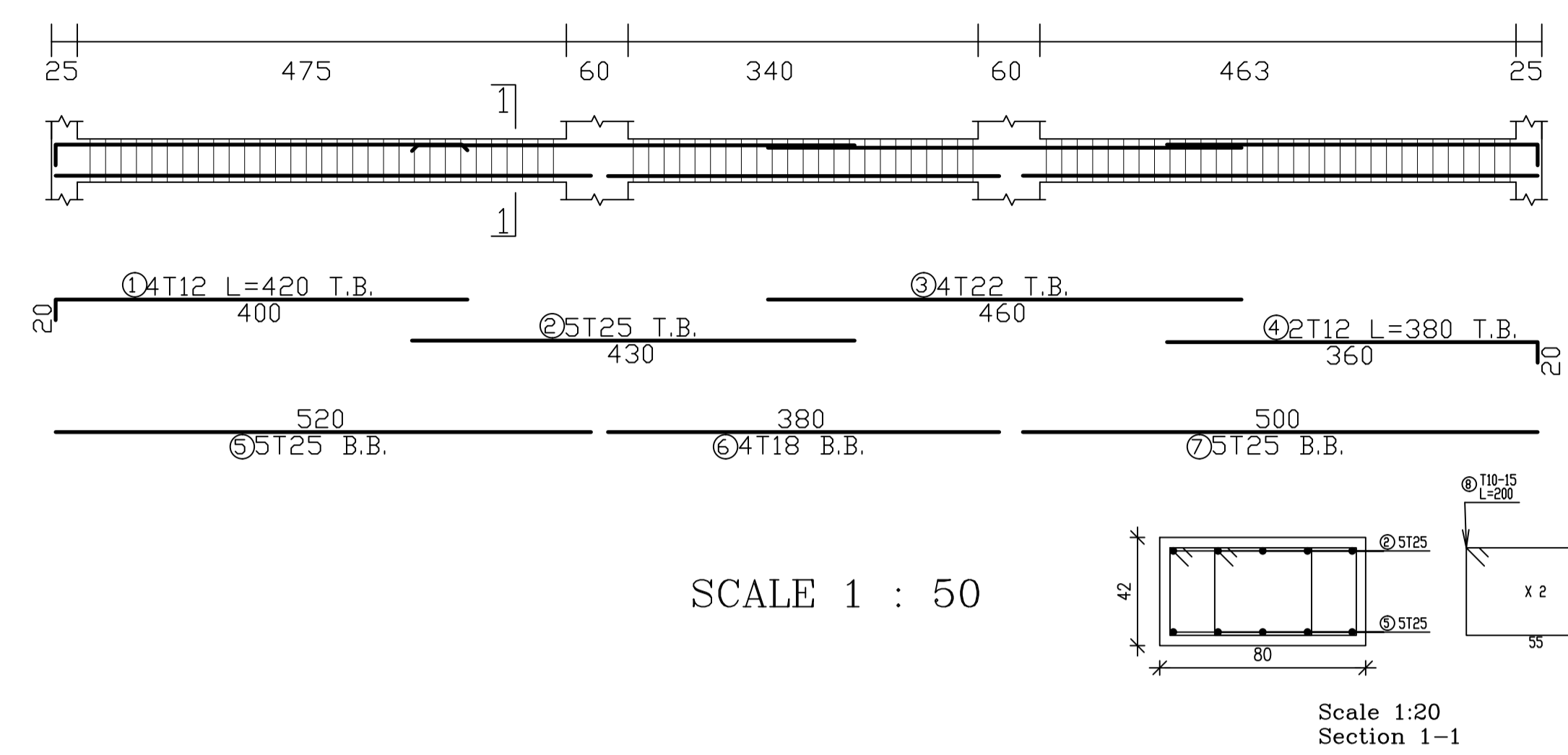
Scale INDICATED

Date January-2024

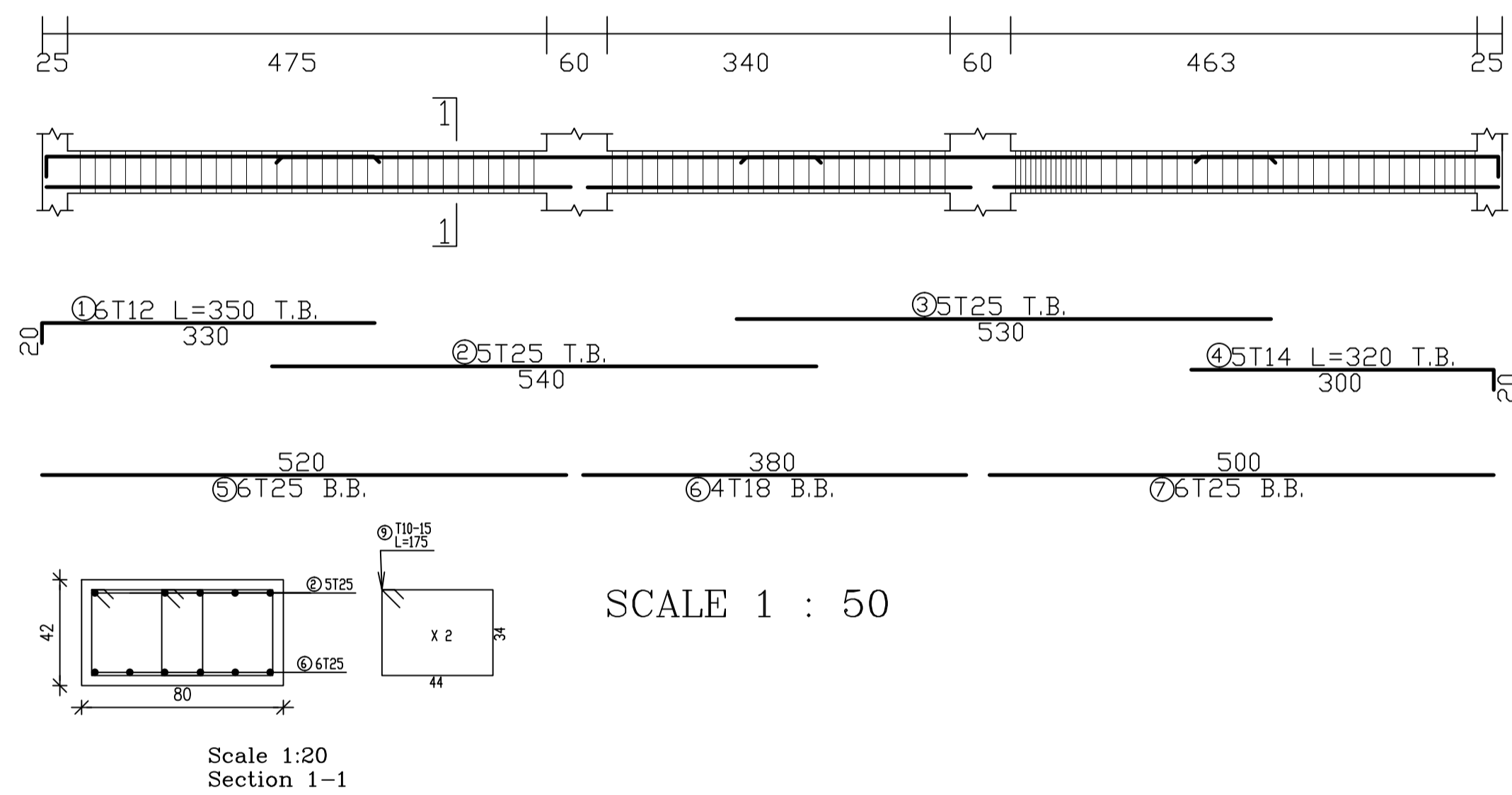
Beam:F20



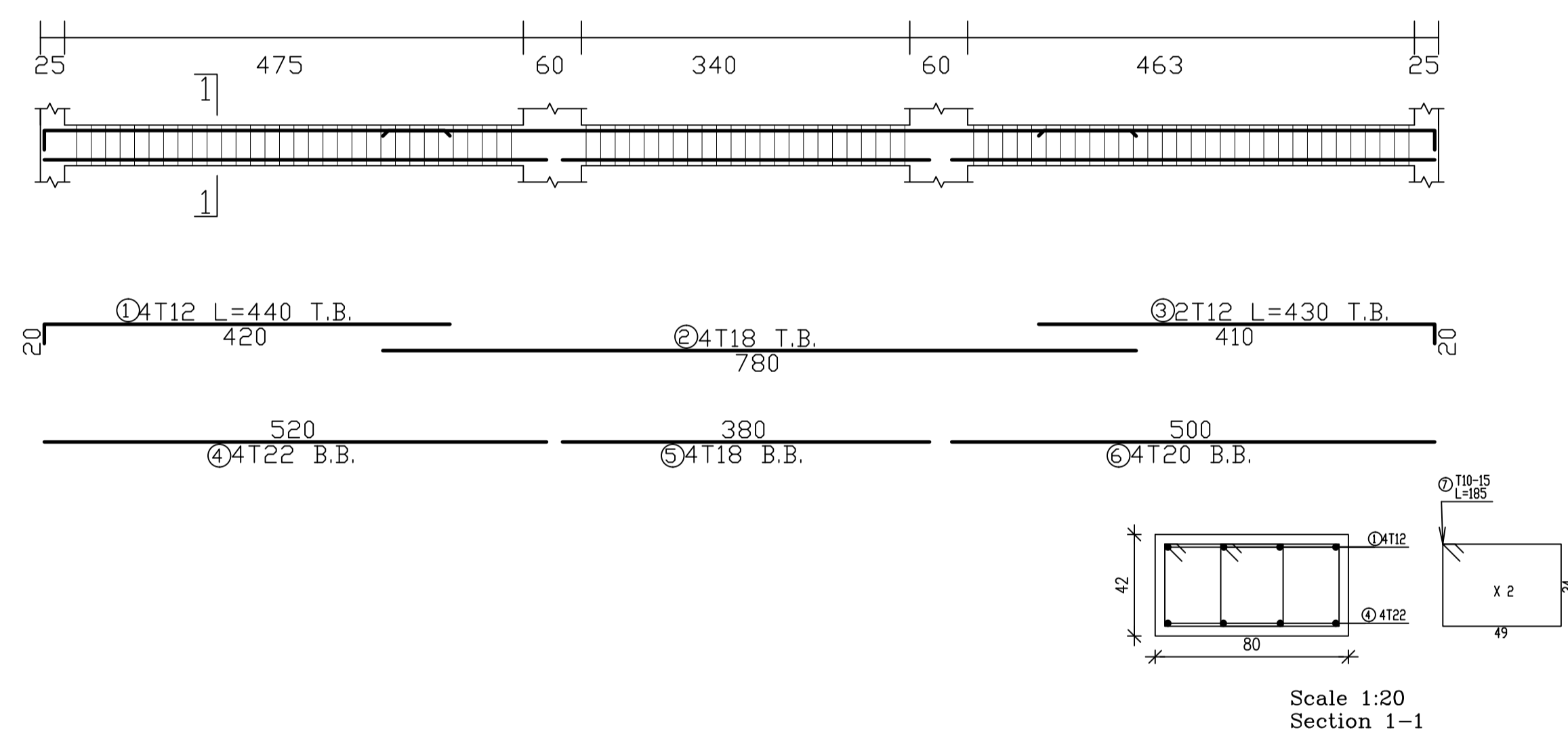
Beam:S20



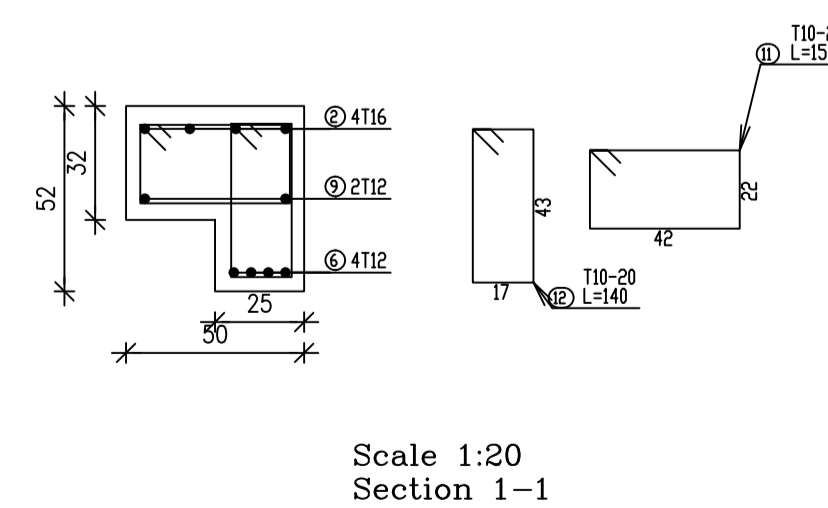
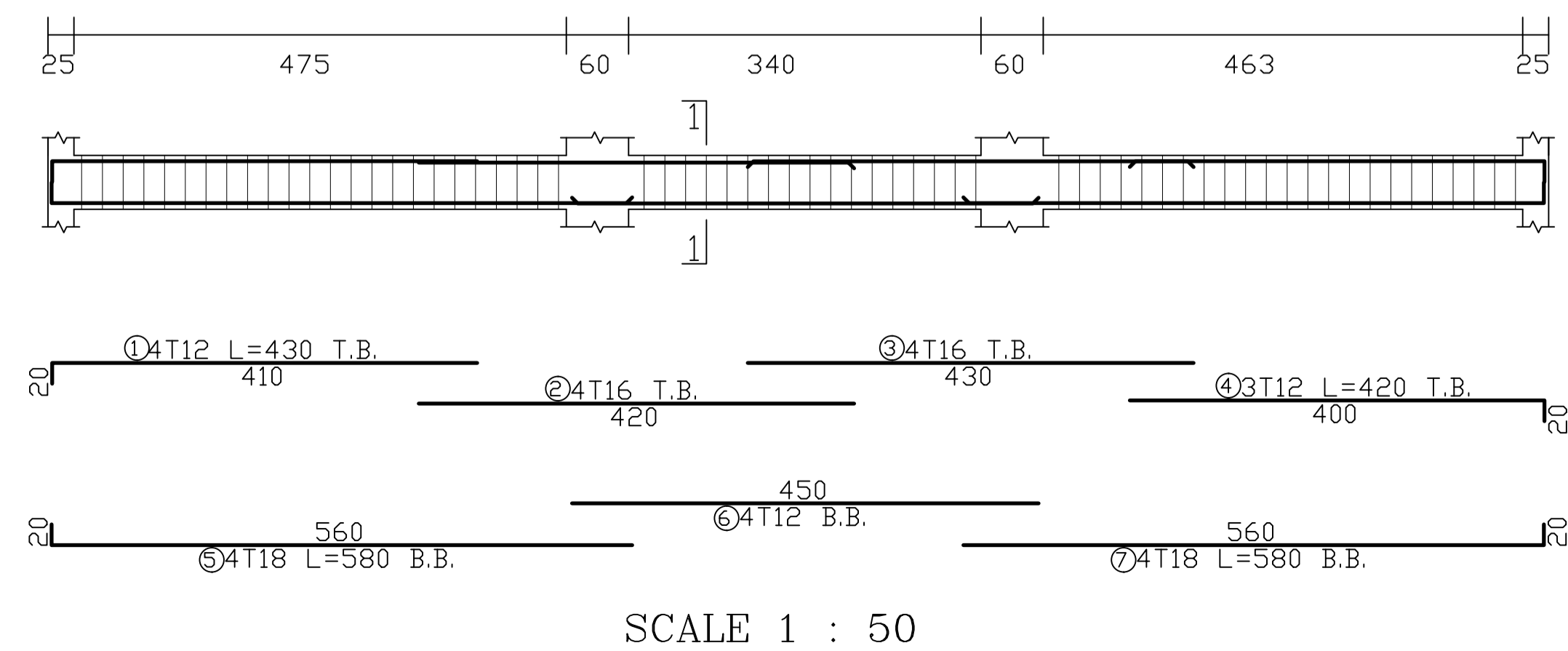
Beam:T20



Beam:R20



Beam:G21

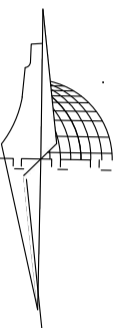


Palestine Polytechnic University

Engineering College

Civil Engineering

N



Supervised by :

Eng. Inas Shweki

Designed by:

Maisa Al-Atrash
205148

Sojoud Rjoob
185293

Note :

Project name:

Al-Samu Hospital

Drawing title :

BEAMS DETAILS

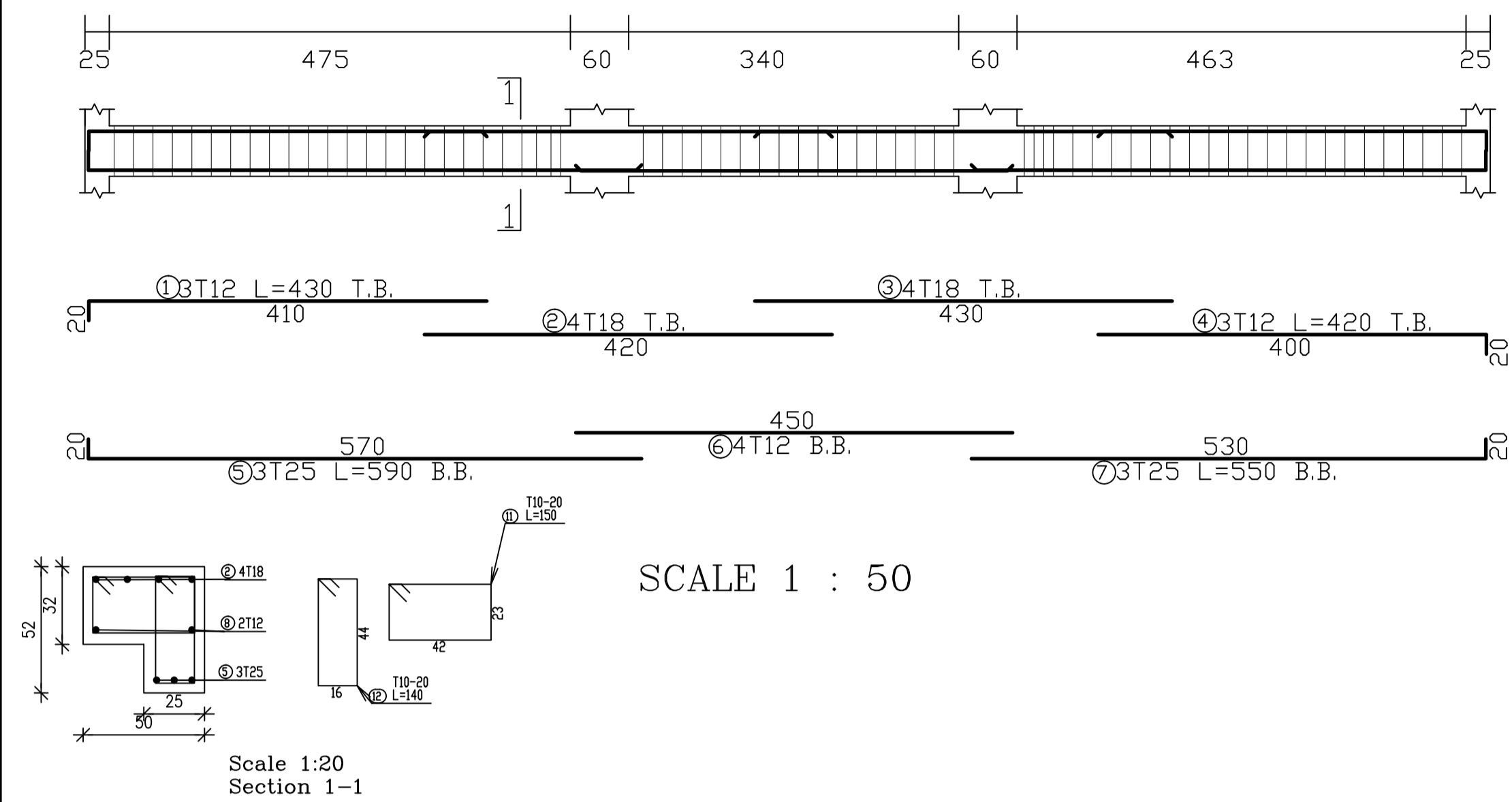
Sheet NO. S08-J

Units cm

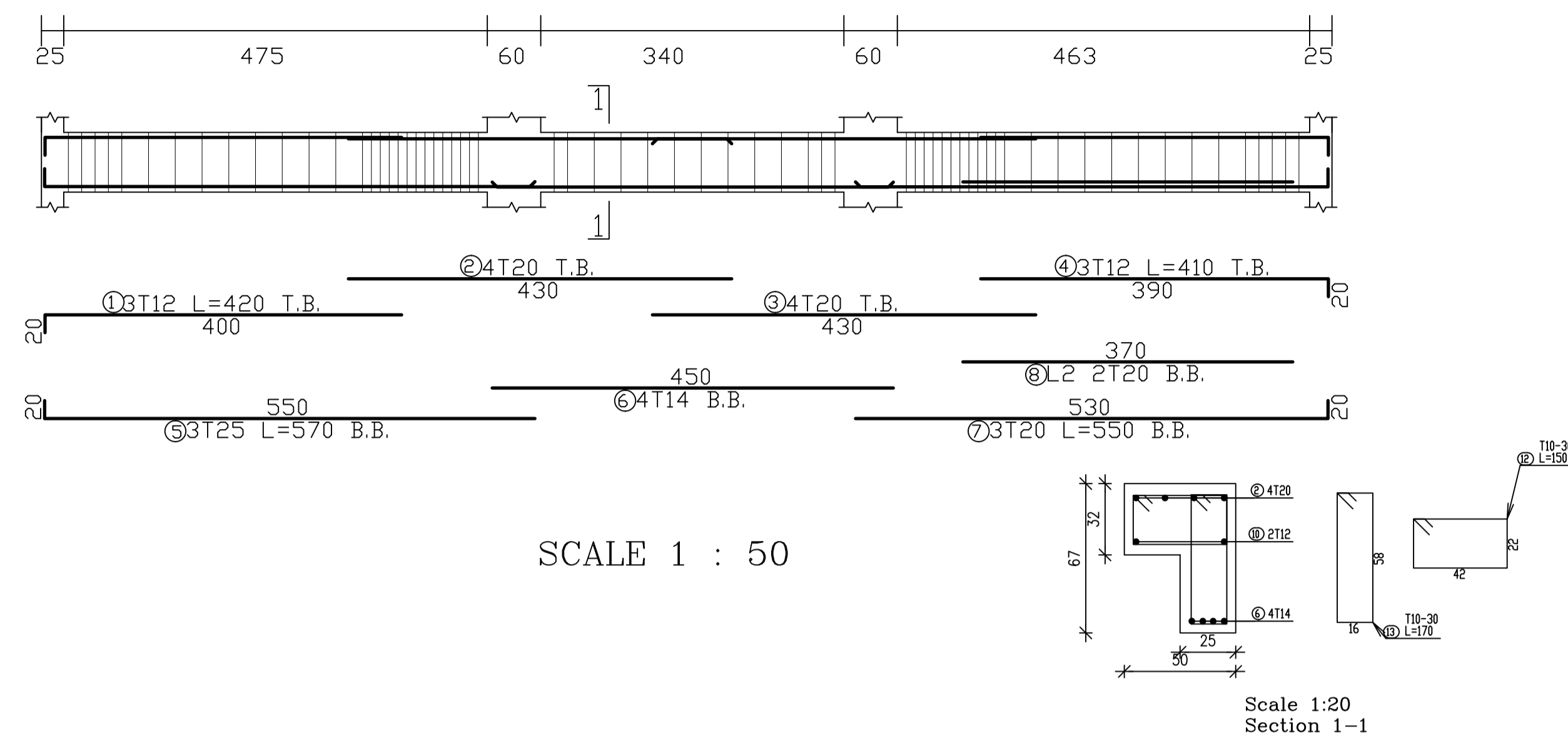
Scale INDICATED

Date January-2024

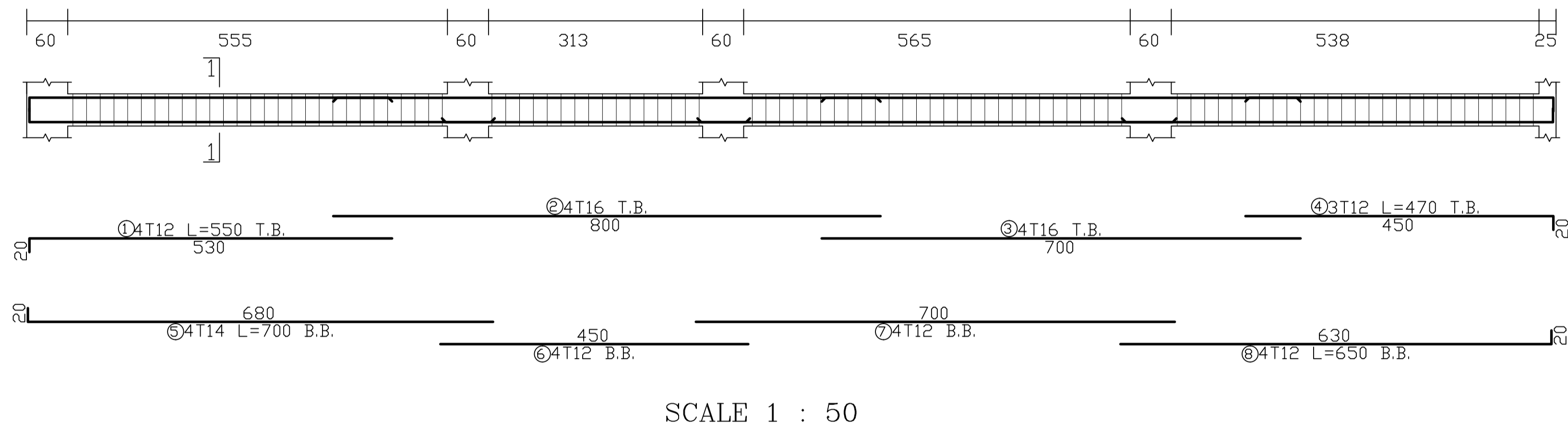
Beam:F21



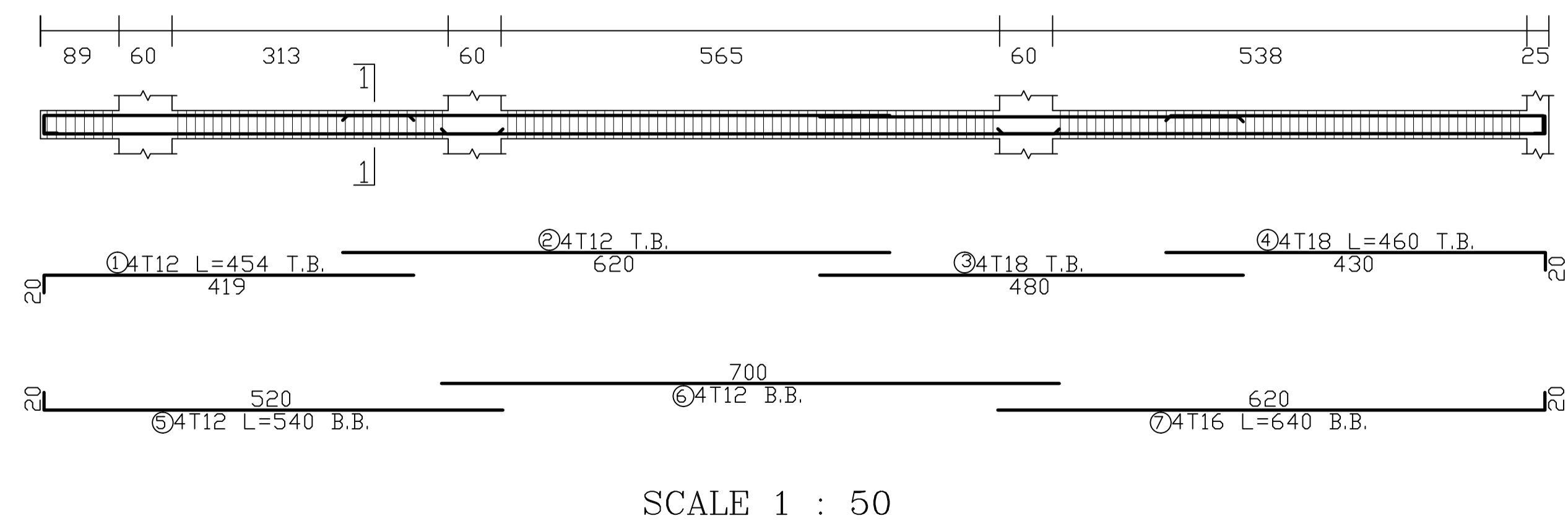
Beam:S21



Beam:G22 & R22



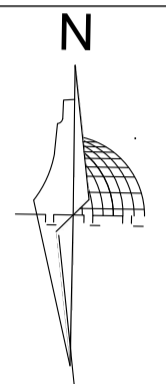
Beam:F22 & S22 & T22



Palestine Polytechnic University

Engineering College

Civil Engineering



Supervised by :

Eng. Inas Shweki

Designed by:

Maisa Al-Atrash
205148

Sojoud Rjoob
185293

Note :

Project name:

Al-Samu Hospital

Drawing title :

BEAMS DETAILS

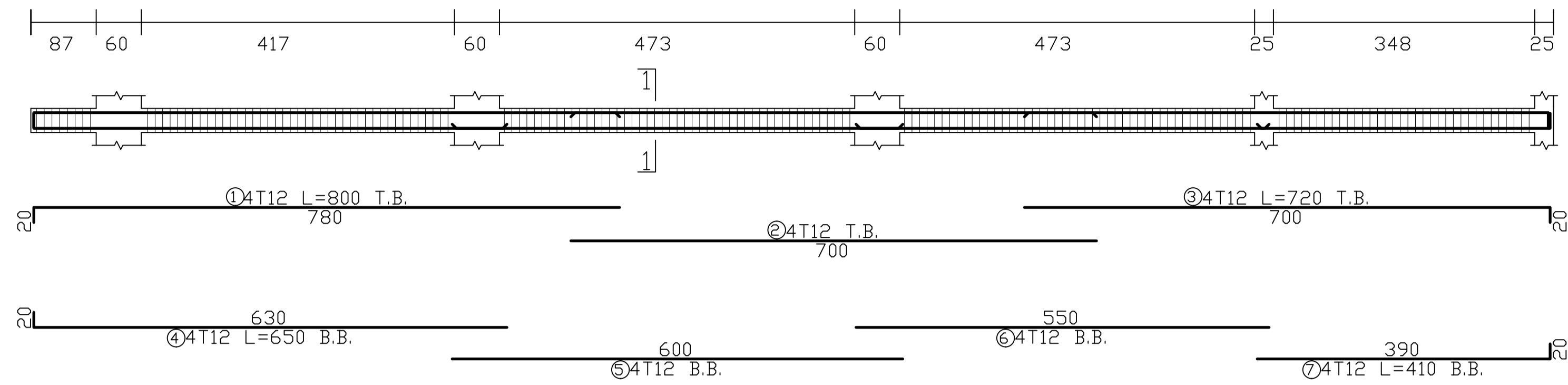
Sheet NO. S08-K

Units cm

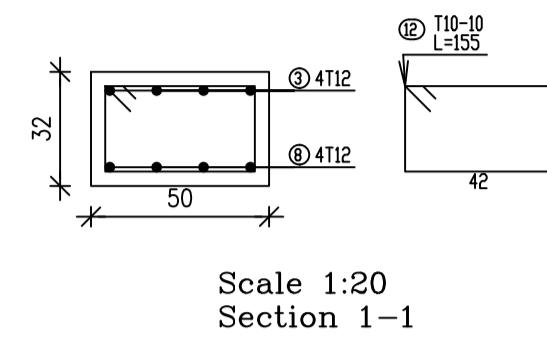
Scale INDICATED

Date January-2024

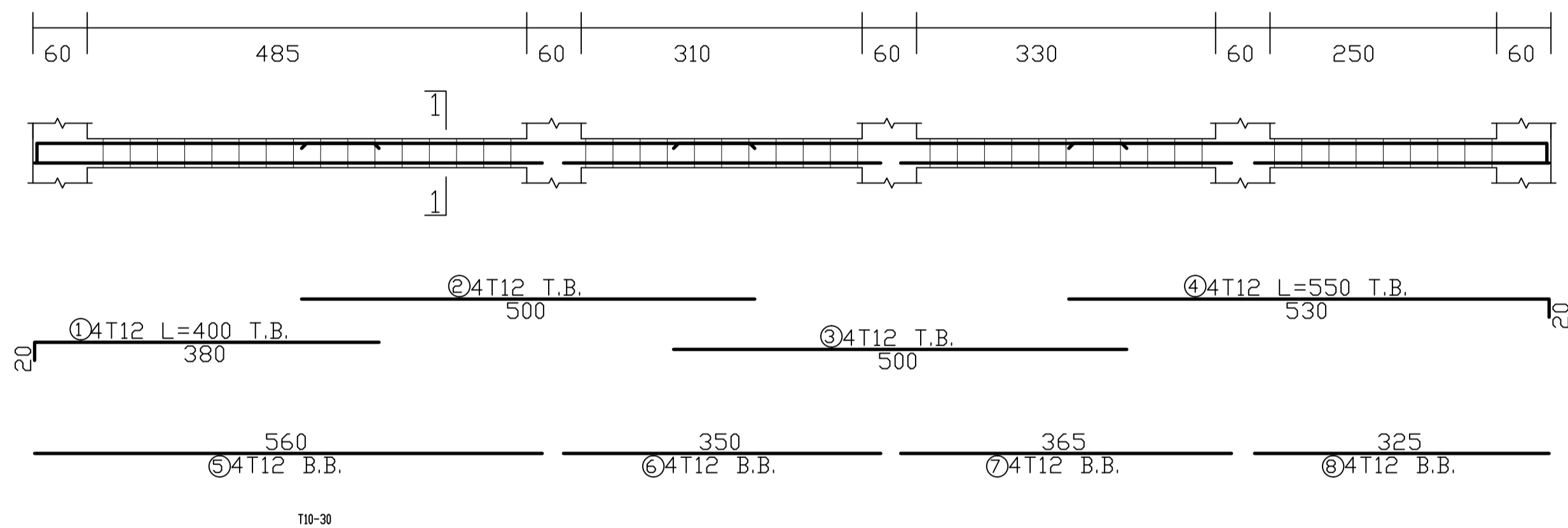
Beam:23



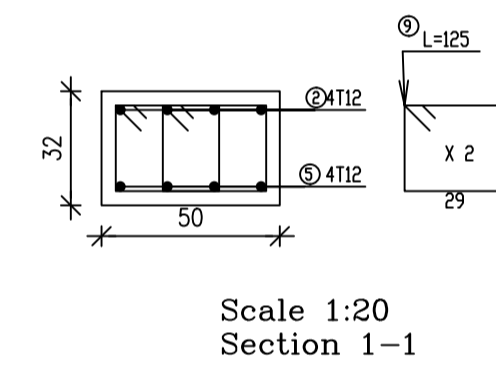
SCALE 1 : 50



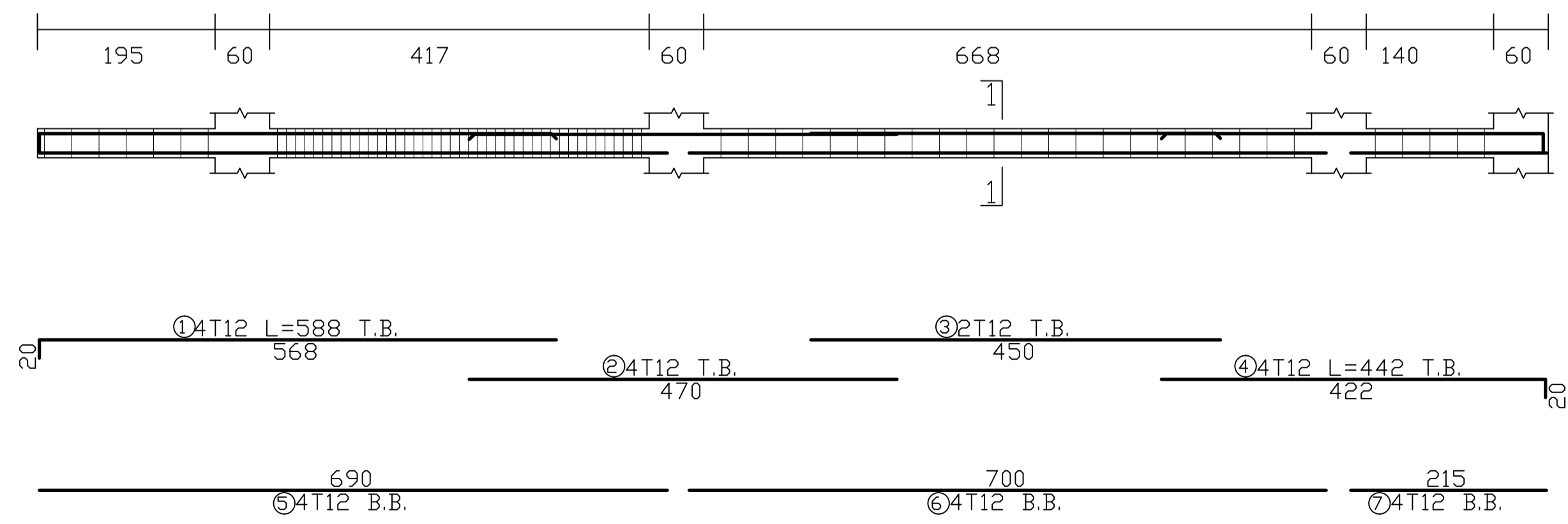
Beam:24(A)



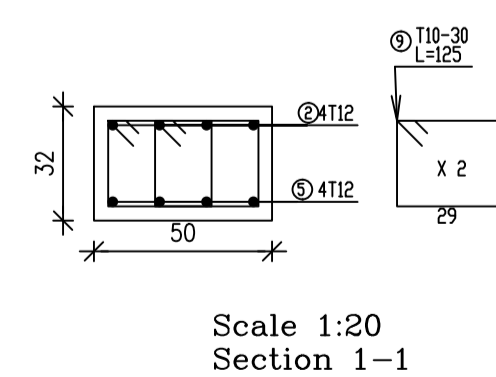
SCALE 1 : 50



Beam:24(B)



SCALE 1 : 50

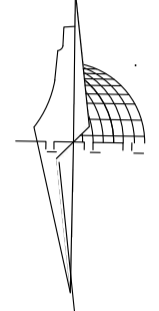


Palestine Polytechnic University

Engineering College

Civil Engineering

N



Supervised by :

Eng. Inas Shweki

Designed by:

Maisa Al-Atrash
205148

Sojoud Rjoob
185293

Note :

Project name:

Al-Samu Hospital

Drawing title :

BEAMS DETAILS

Sheet NO. S08-L

Units cm

Scale INDICATED

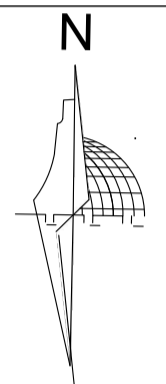
Date January-2024



Palestine Polytechnic University

Engineering College

Civil Engineering



Supervised by :

Eng. Inas Shweki

Designed by:

Maisa Al-Atrash
205148

Sojoud Rjoob
185293

Note :

Project name:

Al-Samu Hospital

Drawing title :

BEAMS DETAILS

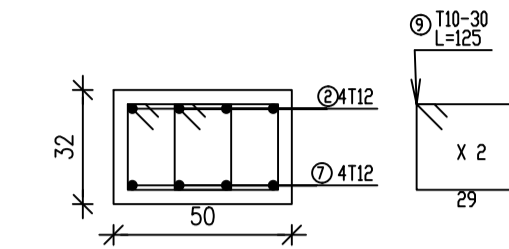
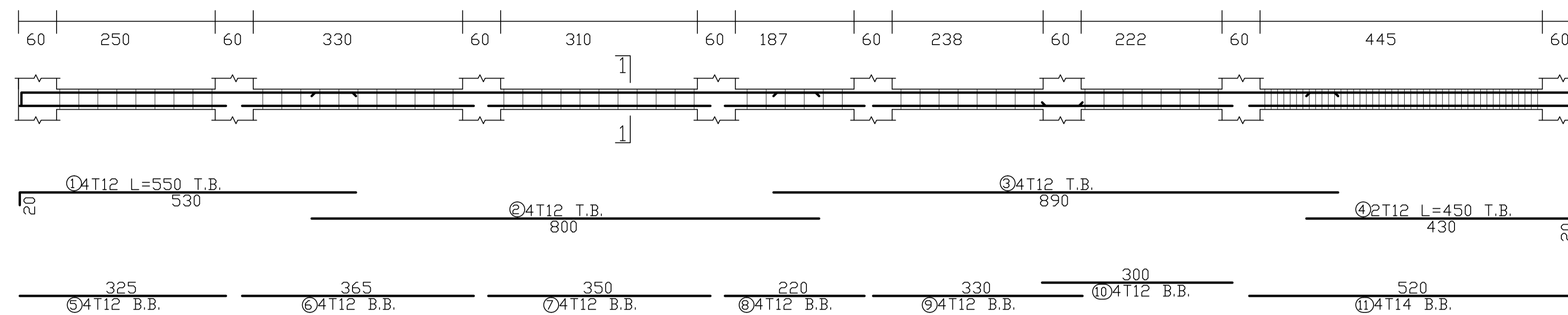
Sheet NO. S08-M

Units cm

Scale INDICATED

Date January-2024

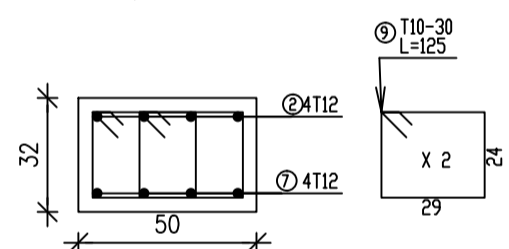
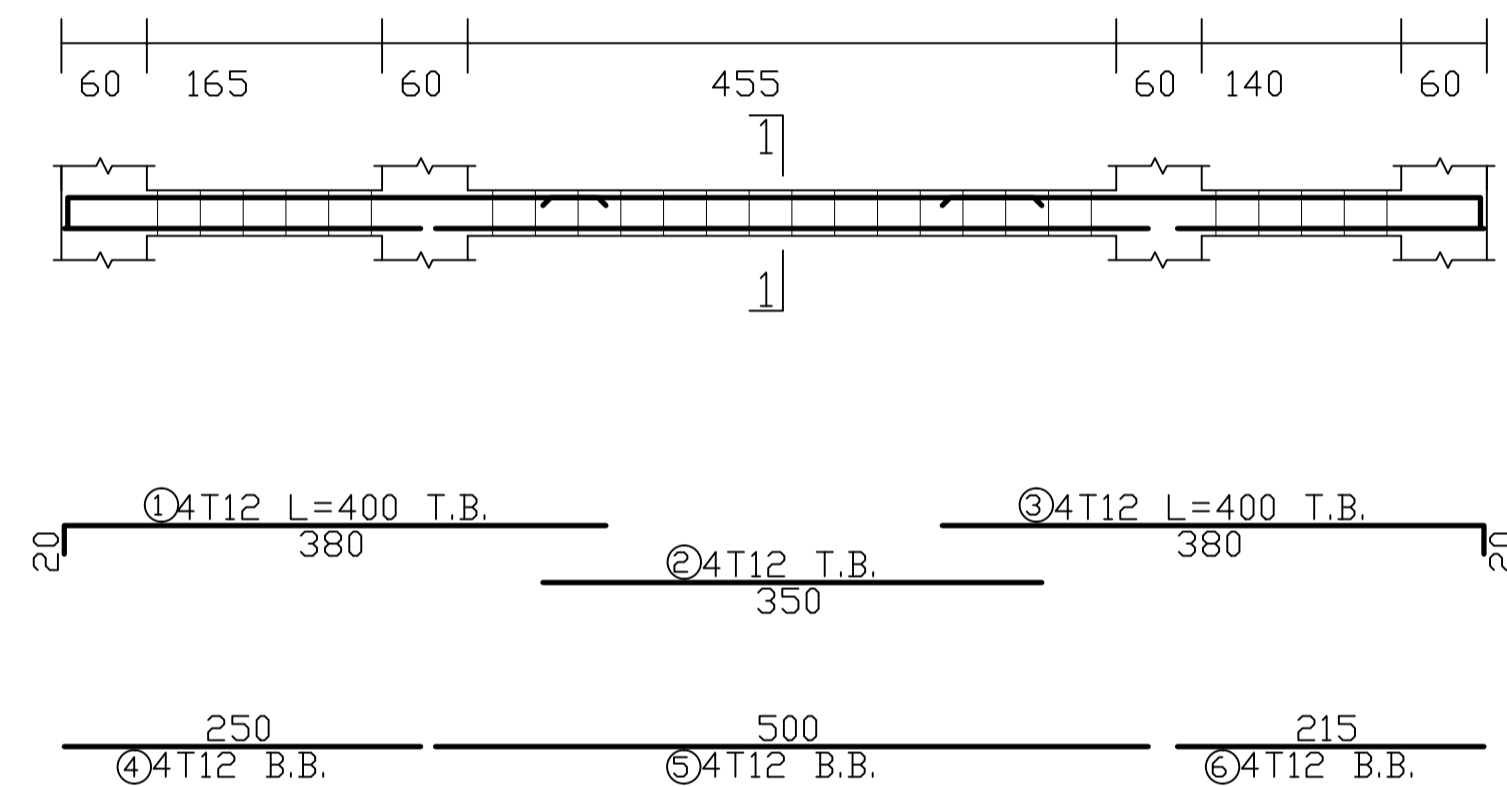
Beam:25(A)



Scale 1:20
Section 1-1

SCALE 1 : 50

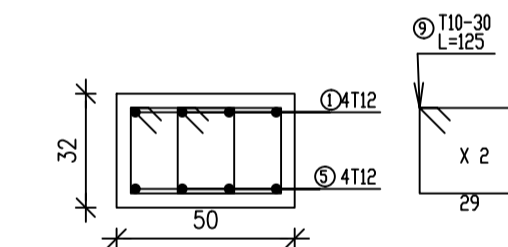
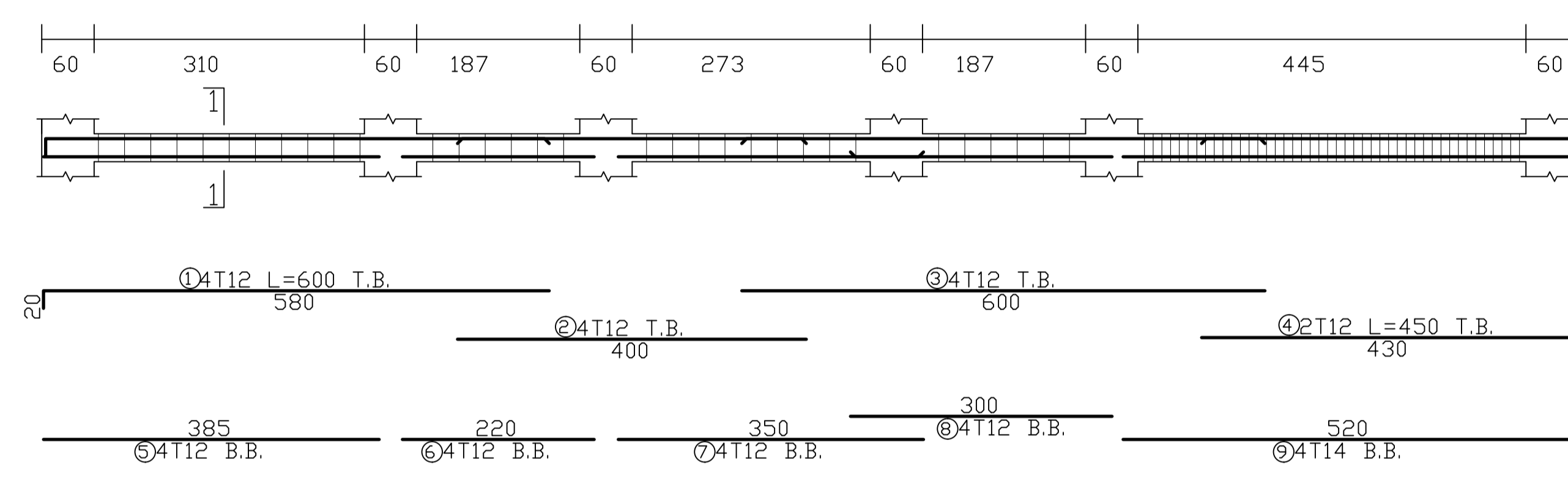
Beam:25(B)



Scale 1:20
Section 1-1

SCALE 1 : 50

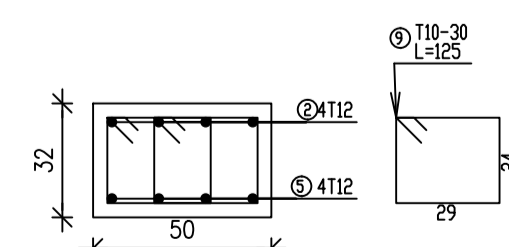
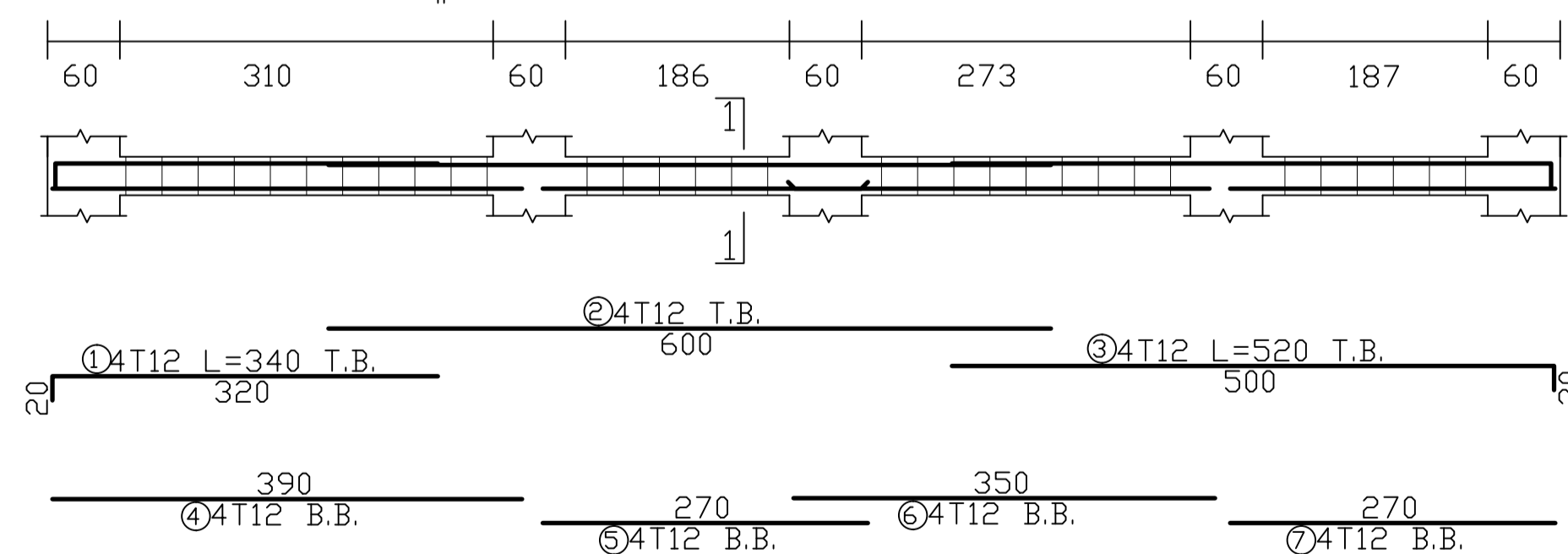
Beam:26



Scale 1:20
Section 1-1

SCALE 1 : 50

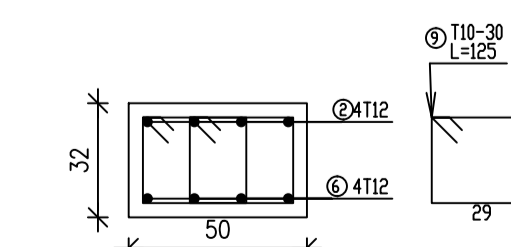
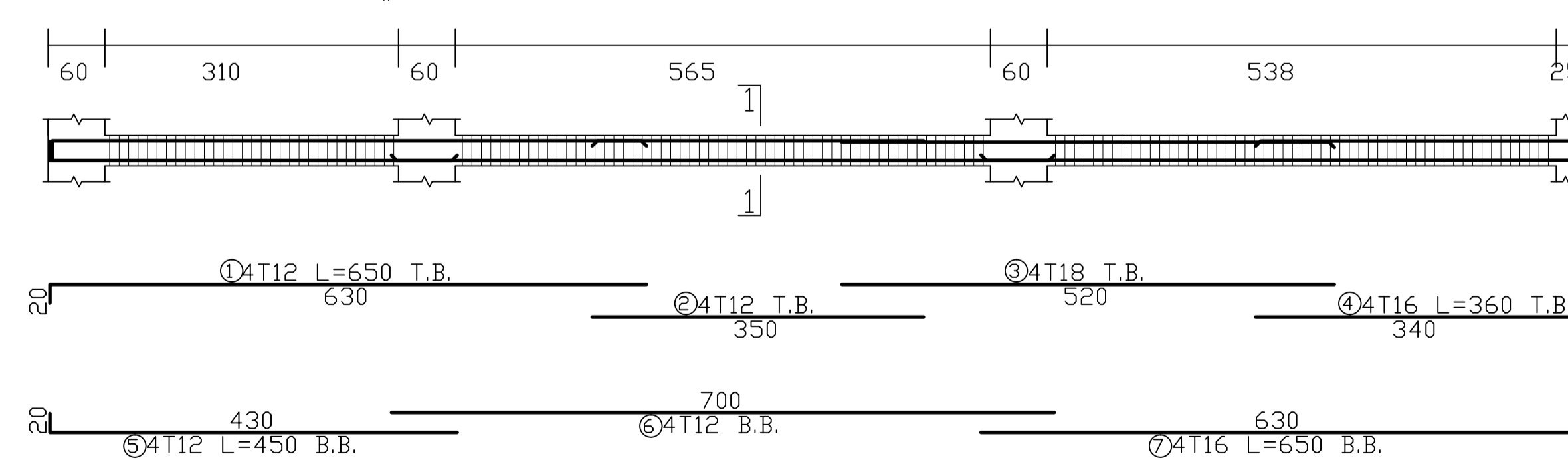
Beam:27



Scale 1:20
Section 1-1

SCALE 1 : 50

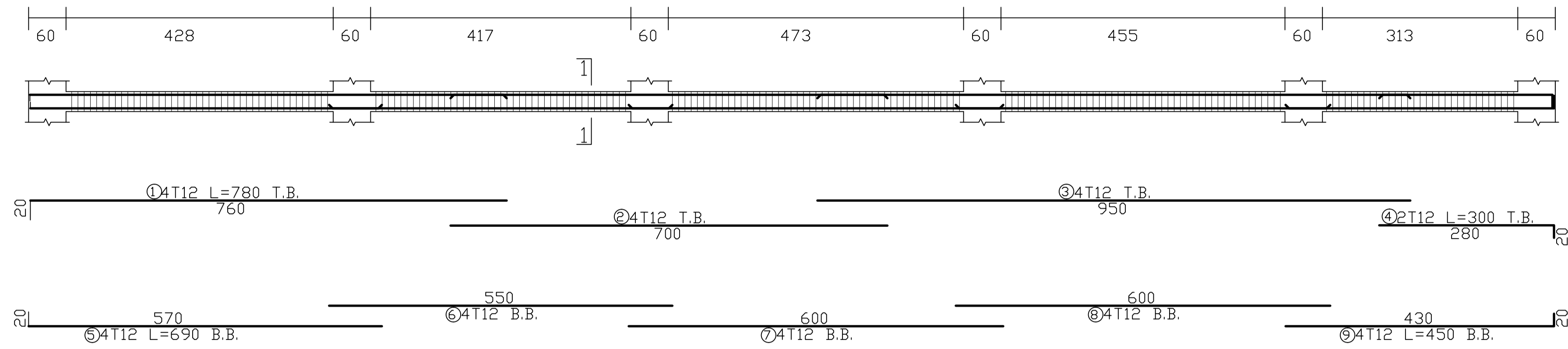
Beam:28



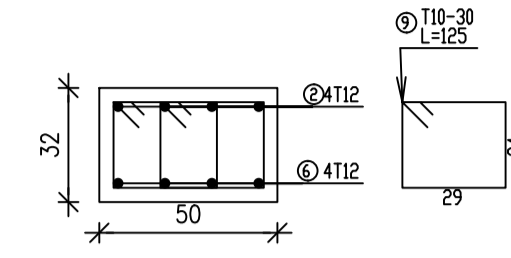
Scale 1:20
Section 1-1

SCALE 1 : 50

Beam:G29 & F29



SCALE 1 : 50



Scale 1:20
Section 1-1

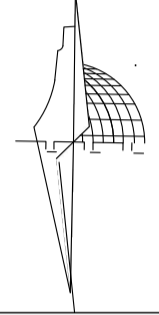


Palestine Polytechnic University

Engineering College

Civil Engineering

N



Supervised by :

Eng. Inas Shweki

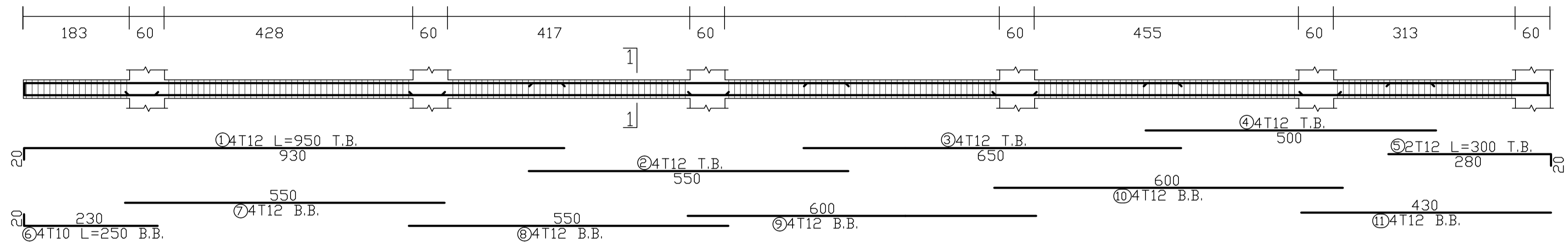
Designed by:

Maisa Al-Atrash
205148

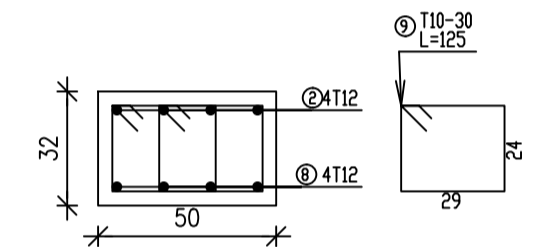
Sojoud Rjoob
185293

Note :

Beam:S29

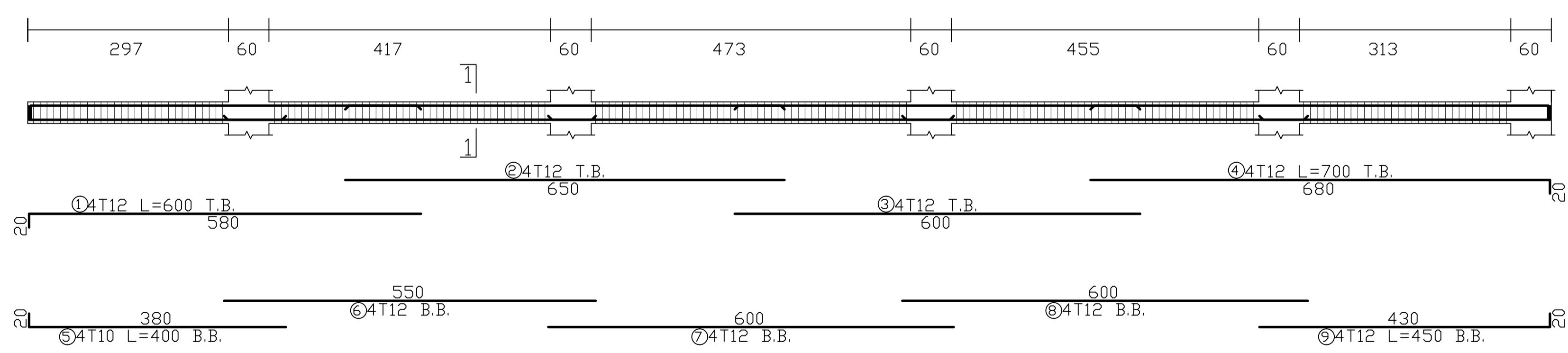


SCALE 1 : 50

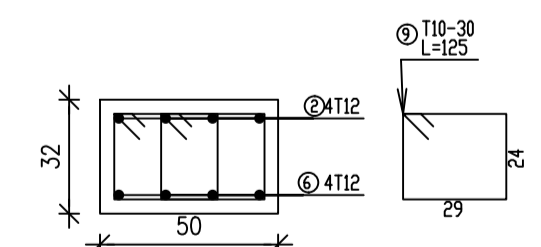


Scale 1:20
Section 1-1

Beam:T29 & R29



SCALE 1 : 50



Scale 1:20
Section 1-1

Project name:

Al-Samu Hospital

Drawing title :

BEAMS DETAILS

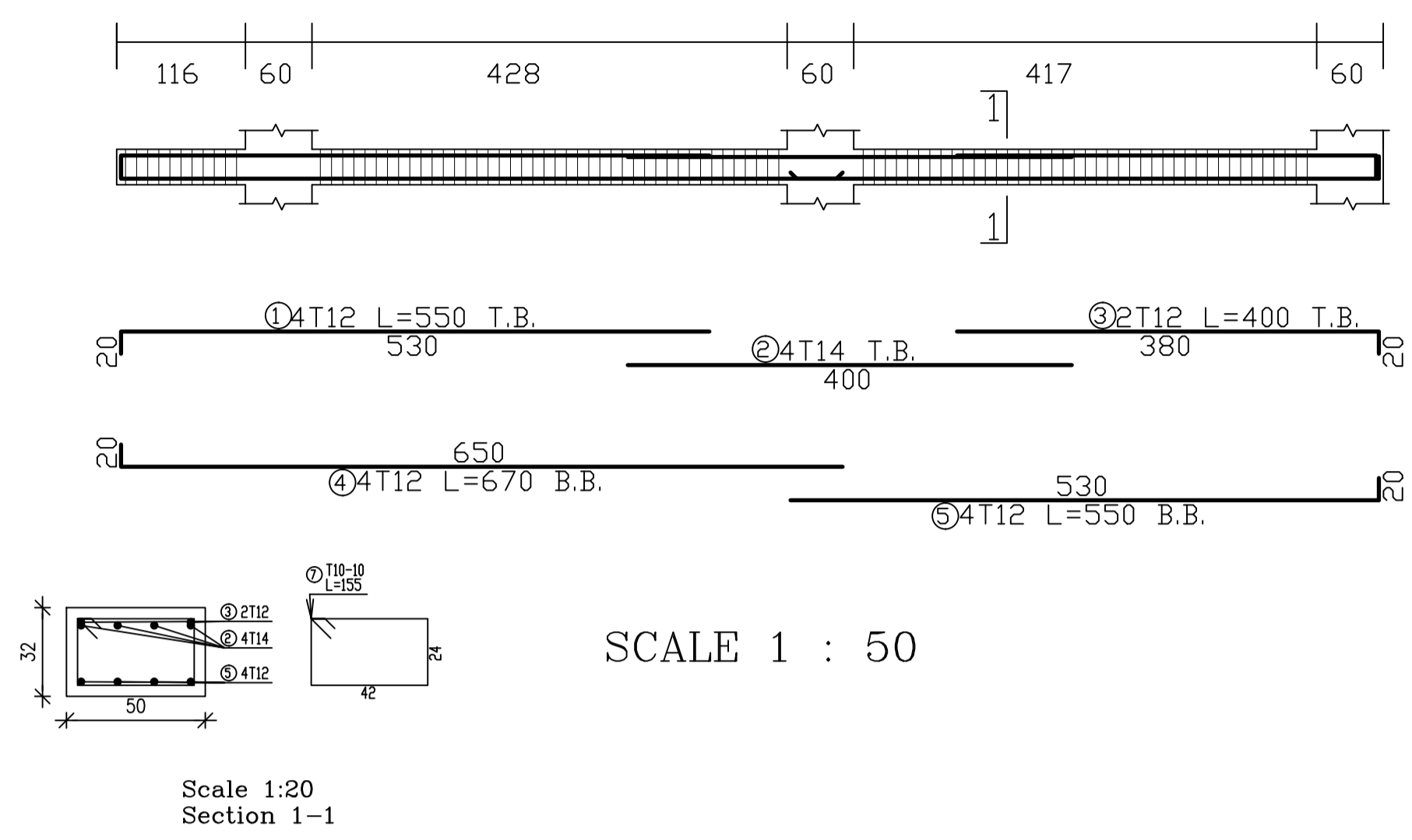
Sheet NO. S08-N

Units cm

Scale INDICATED

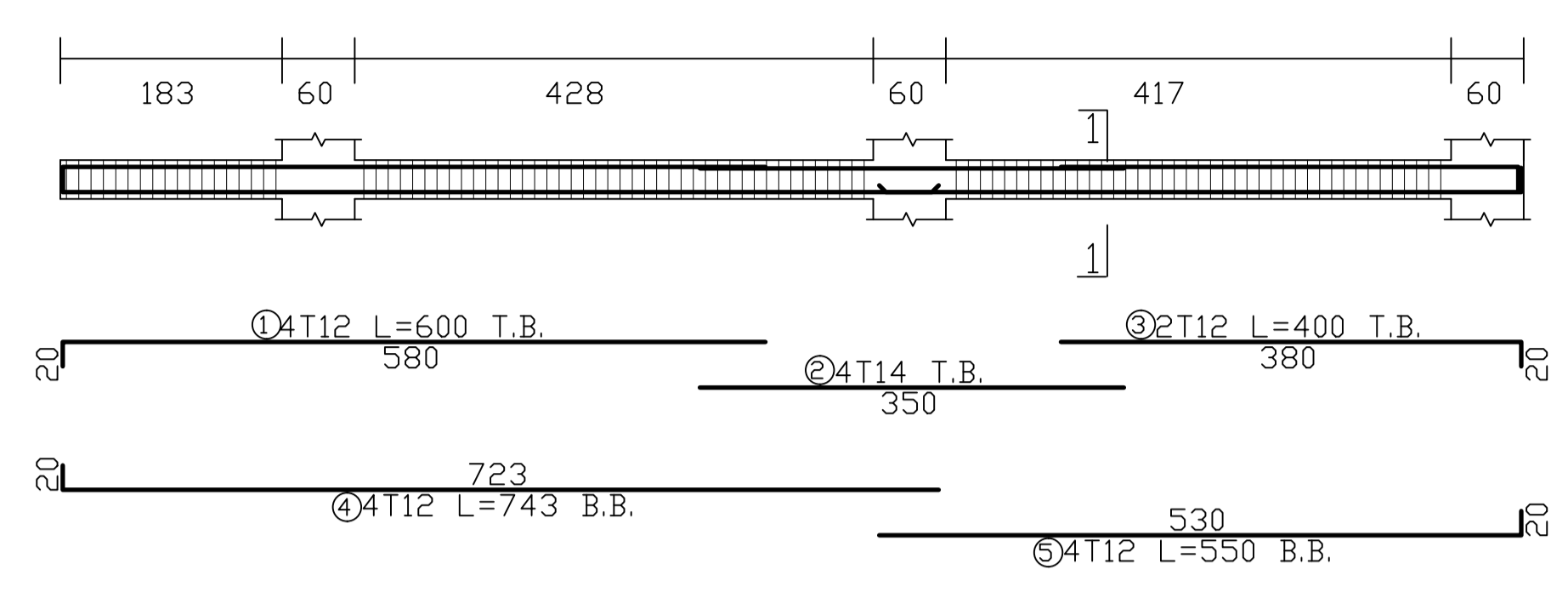
Date January-2024

Beam:G30 & F30

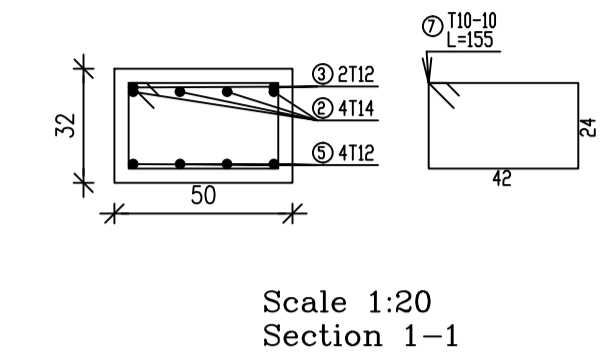


SCALE 1 : 50

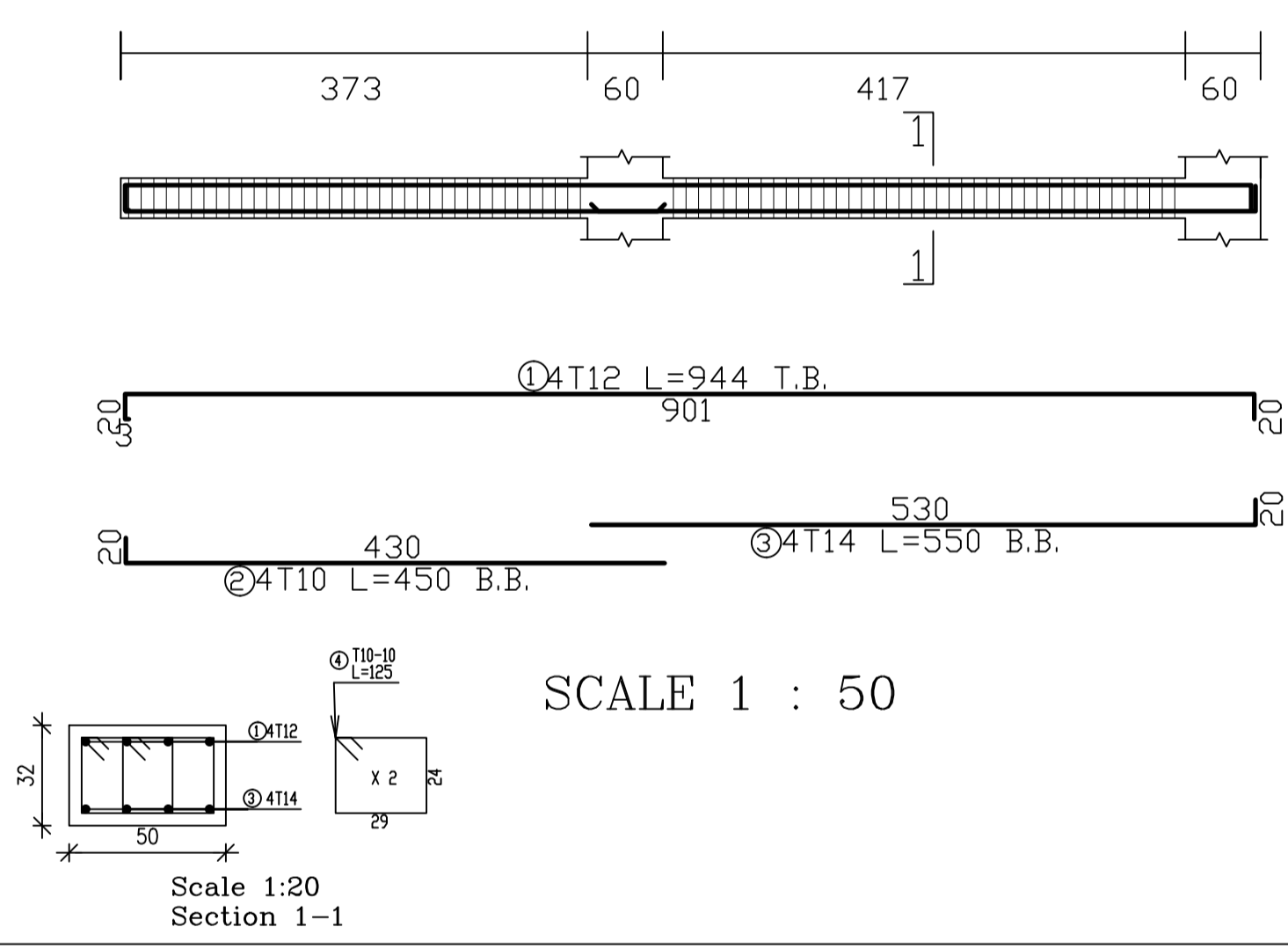
Beam:S30



SCALE 1 : 50

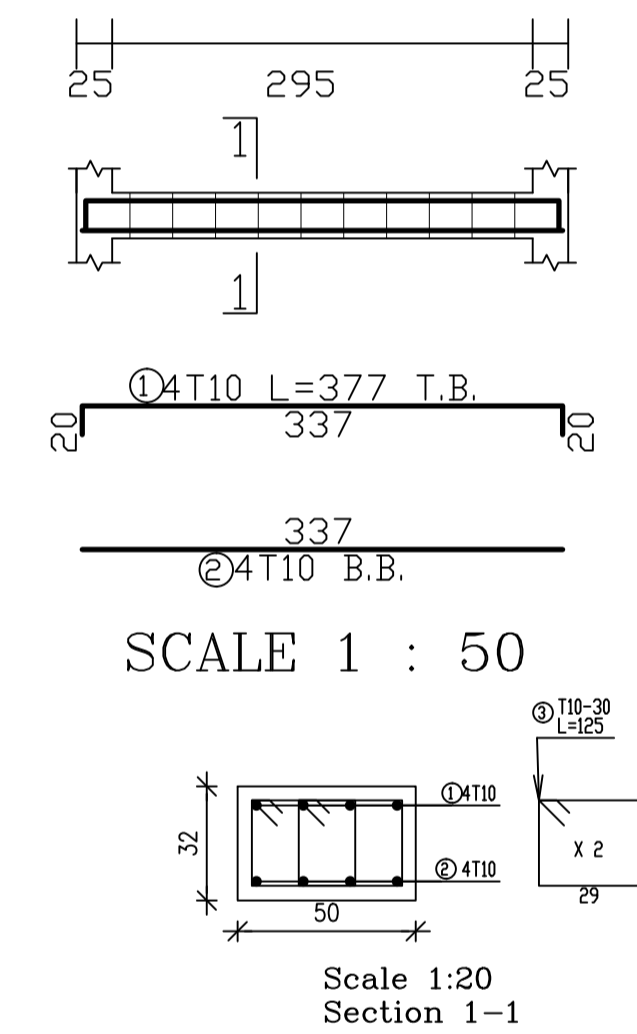


Beam:T30 & R30



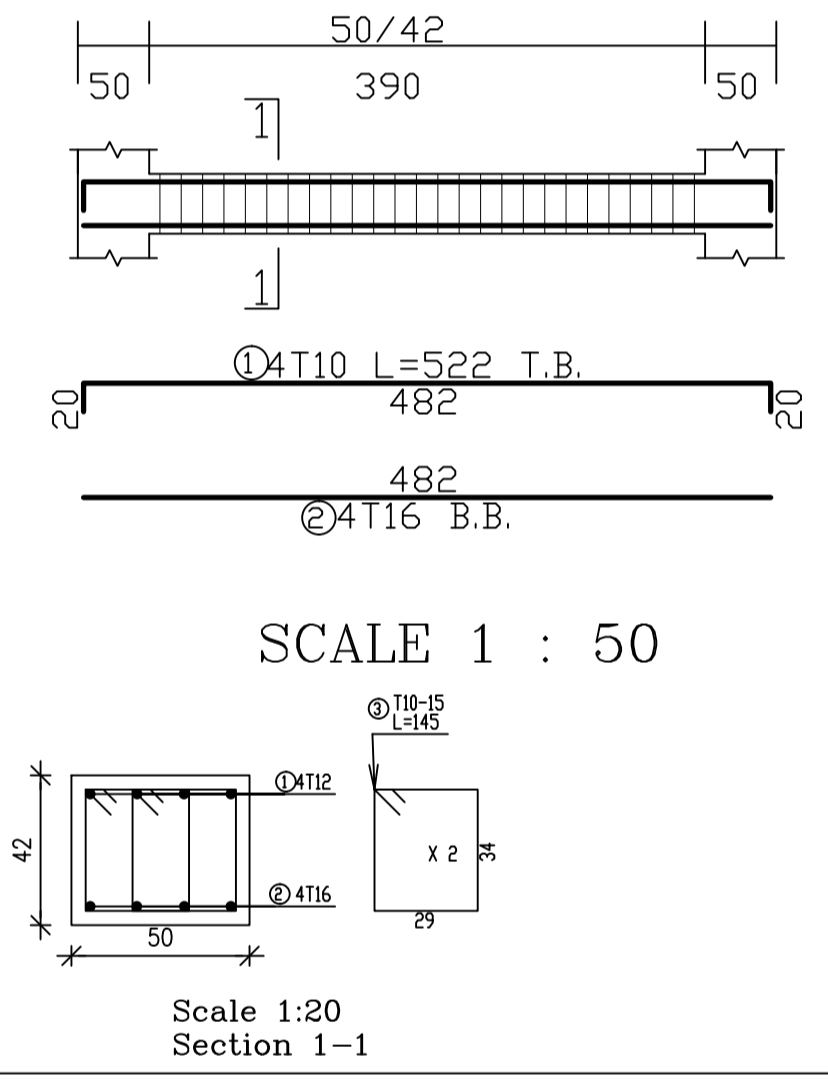
SCALE 1 : 50

Beam:31



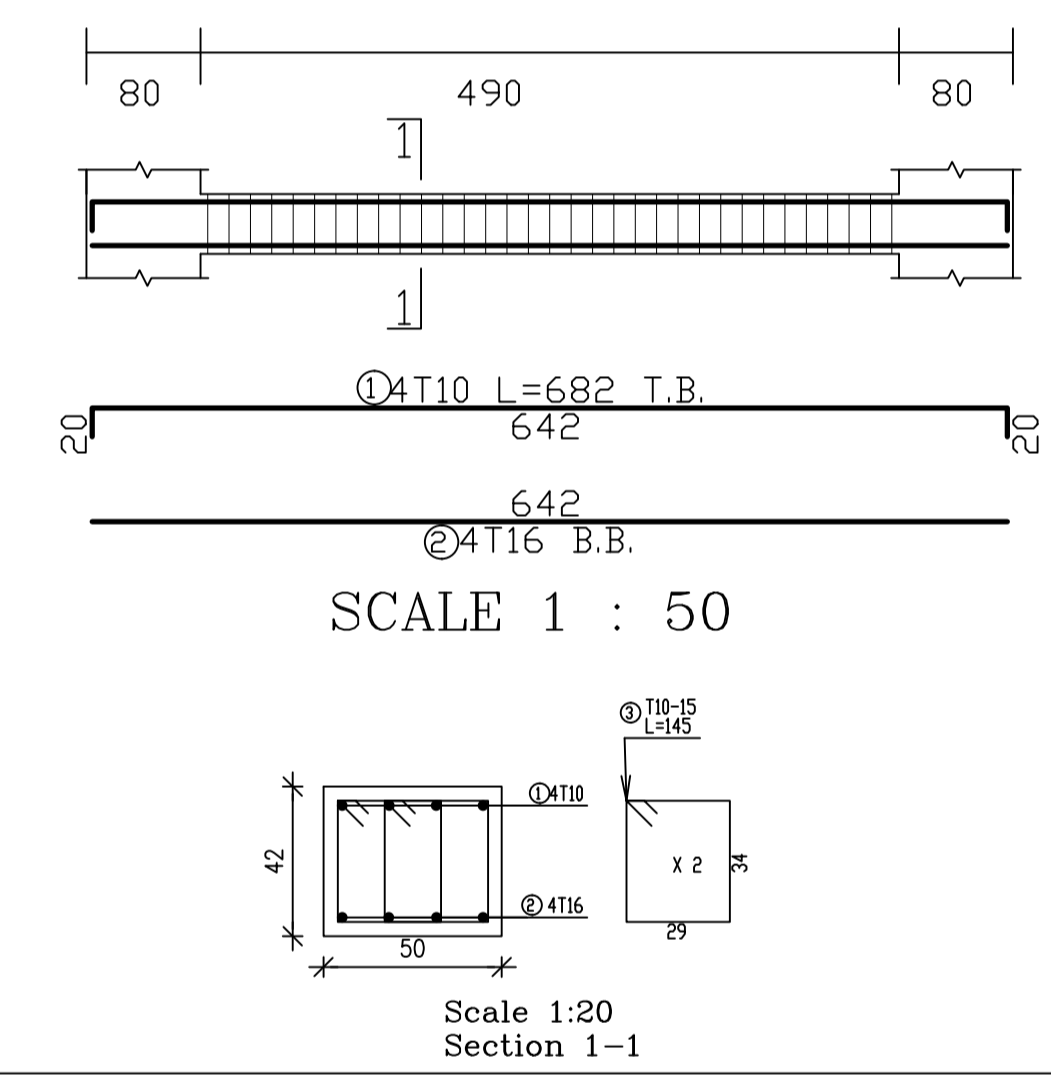
SCALE 1 : 50

Beam:32



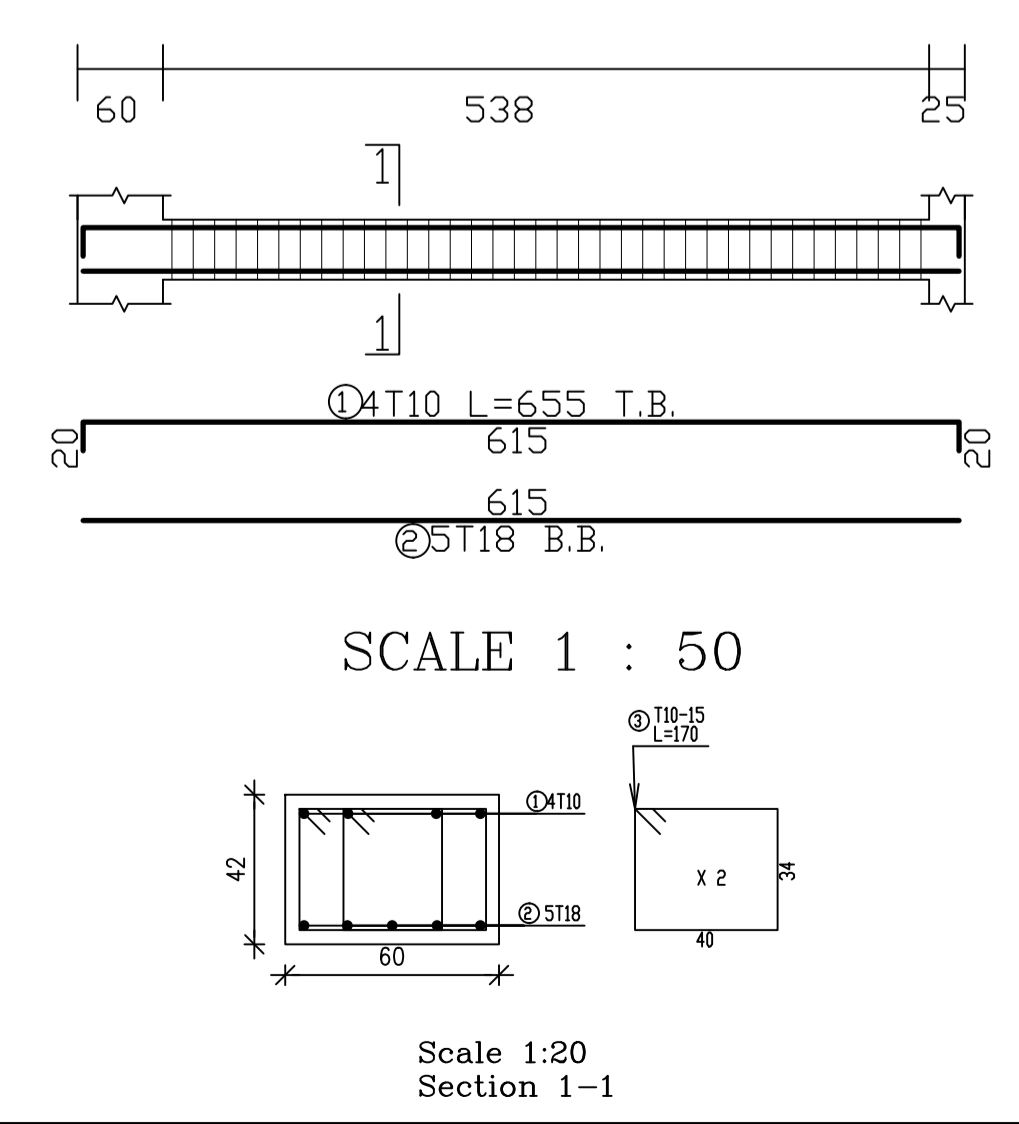
SCALE 1 : 50

Beam:33



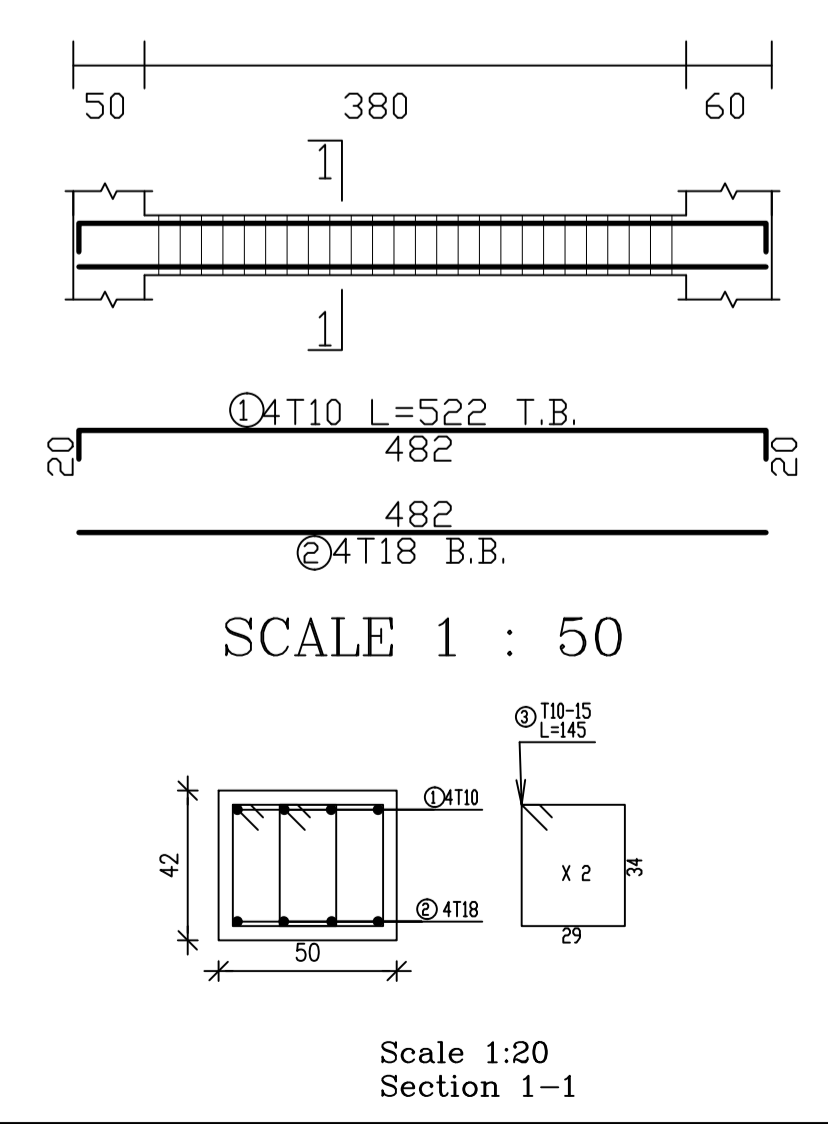
SCALE 1 : 50

Beam:34



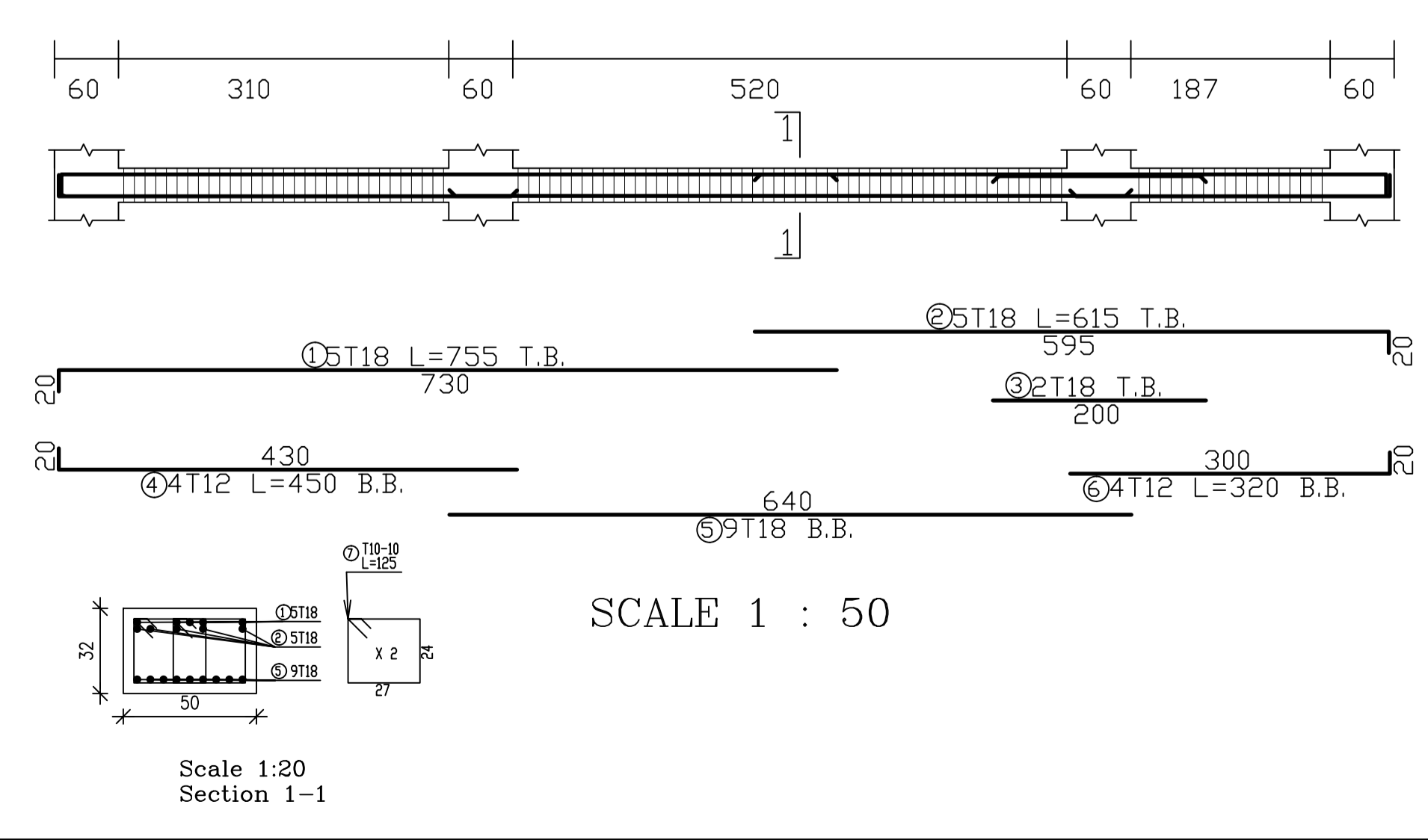
SCALE 1 : 50

Beam:35



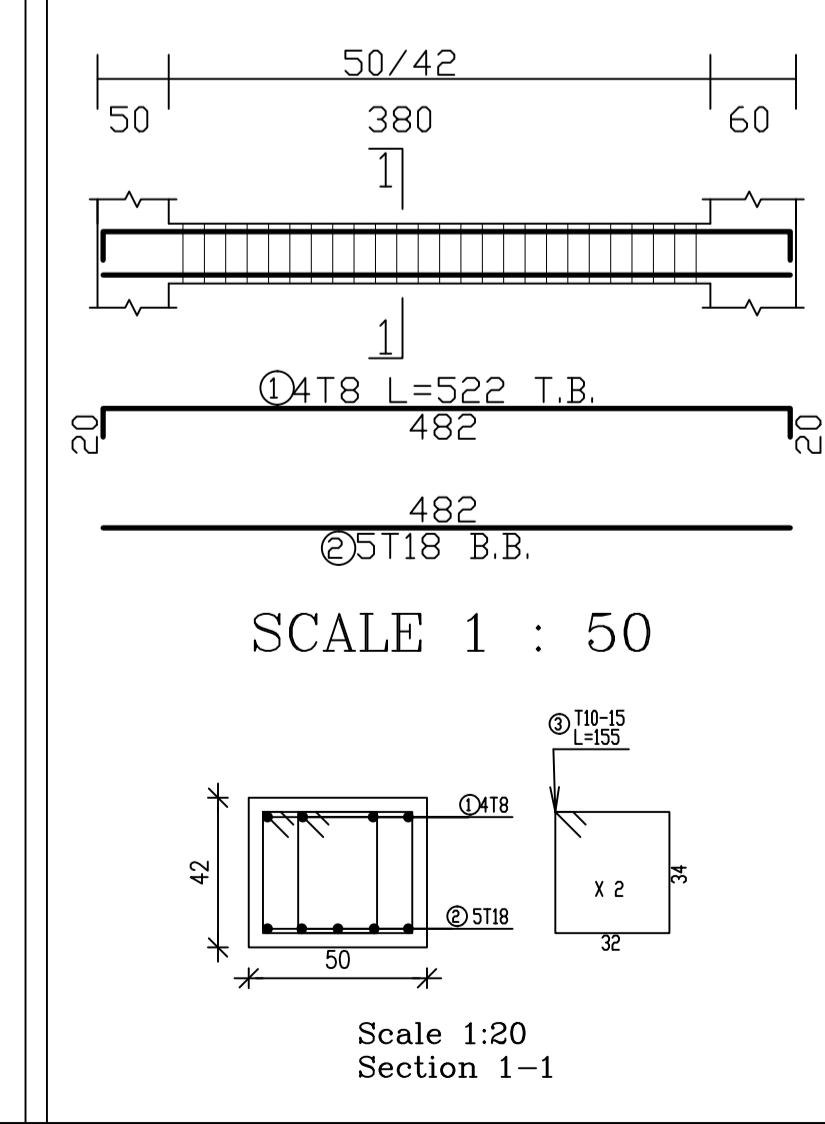
SCALE 1 : 50

Beam:36



SCALE 1 : 50

Beam:37



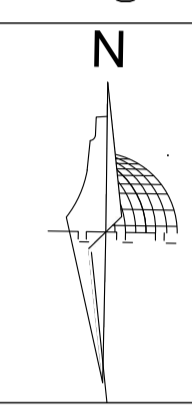
SCALE 1 : 50



Palestine Polytechnic University

Engineering College

Civil Engineering



Supervised by :

Eng. Inas Shweki

Designed by:

Maisa Al-Atrash
205148

Sojoud Rjoob
185293

Note :

Project name:

Al-Samu Hospital

Drawing title :

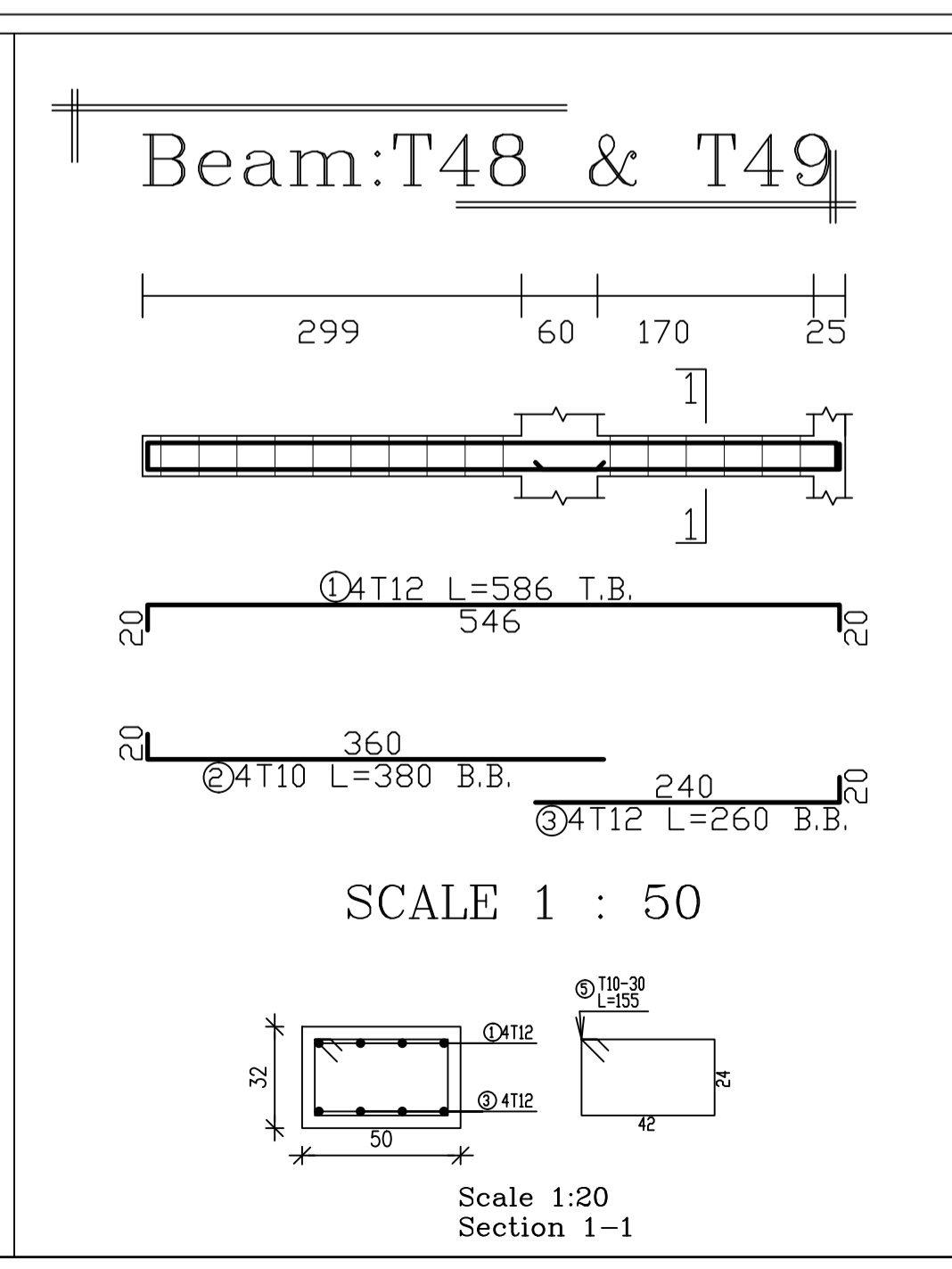
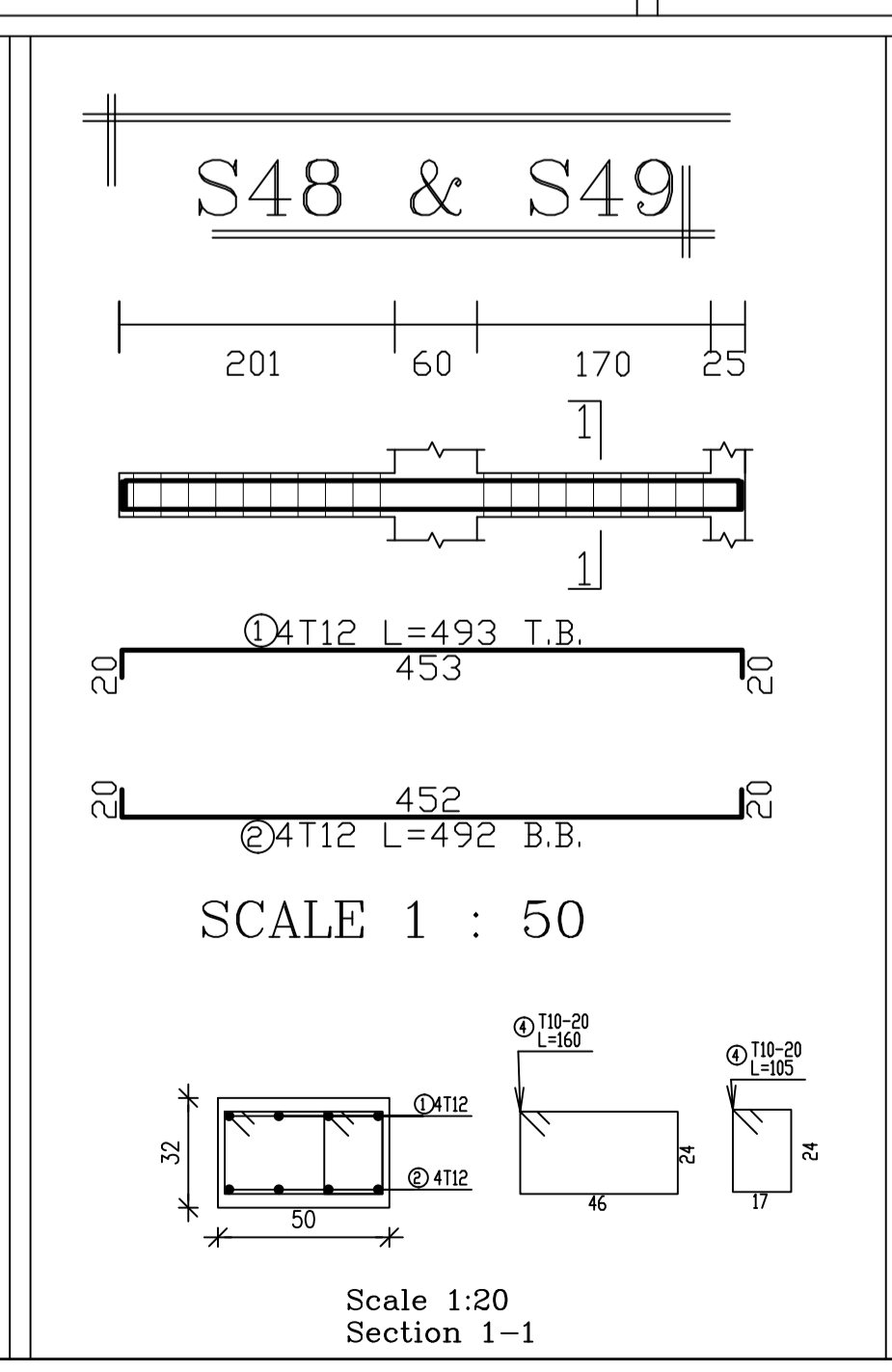
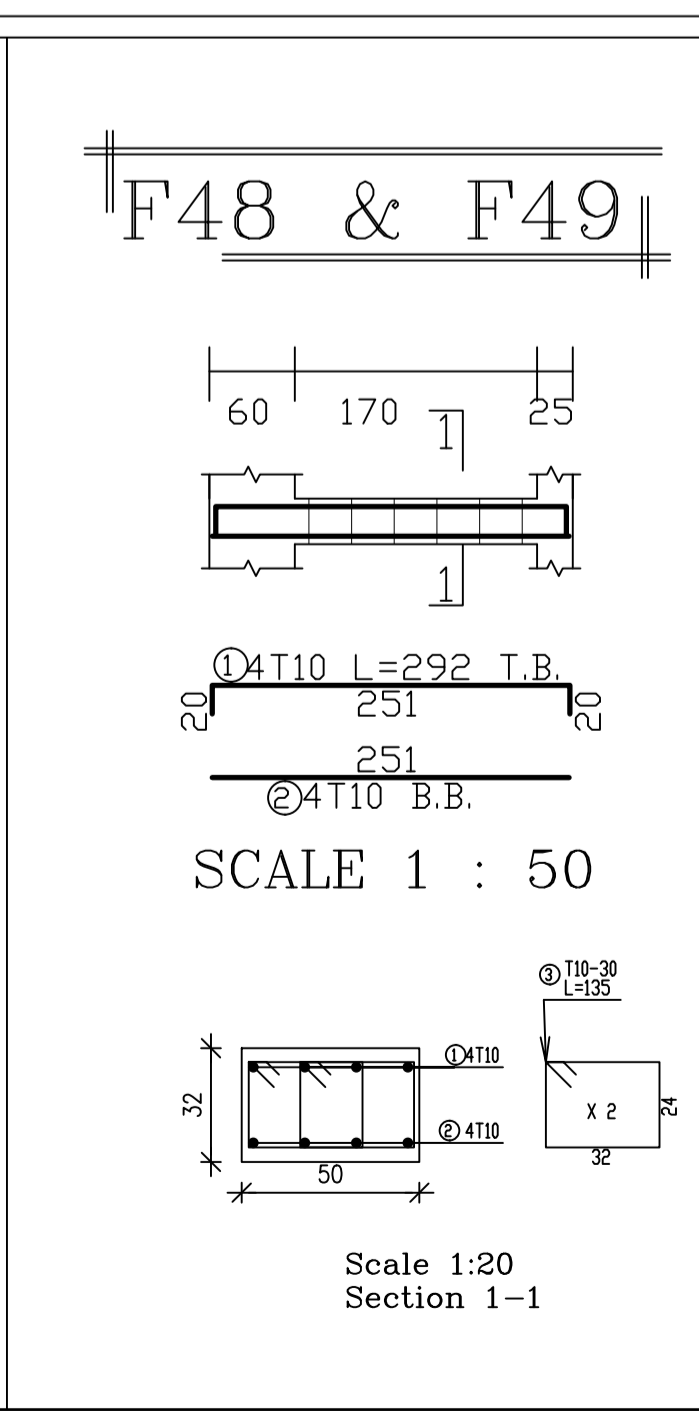
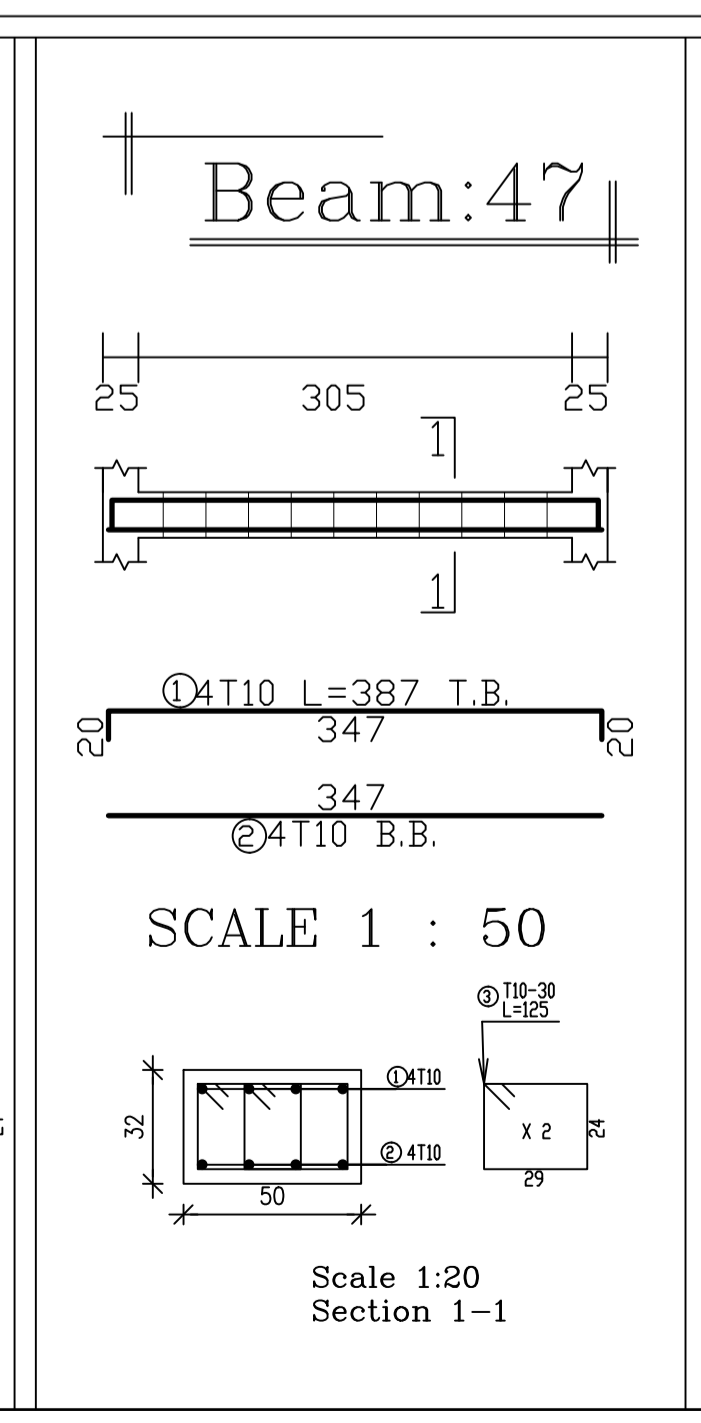
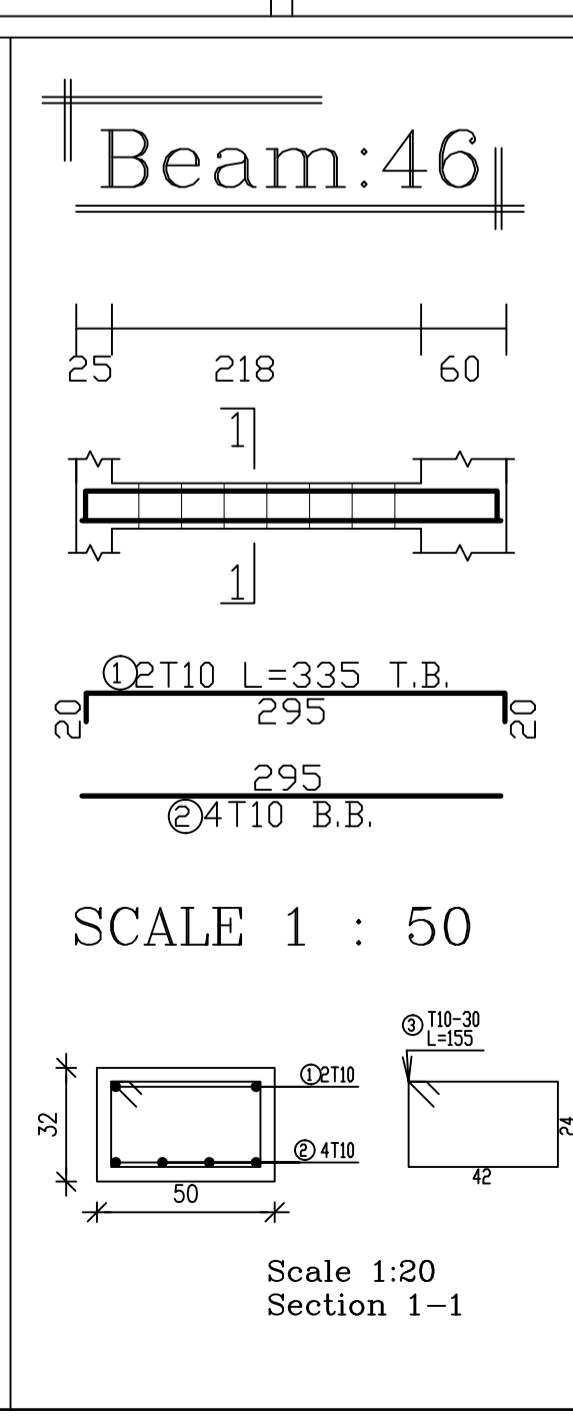
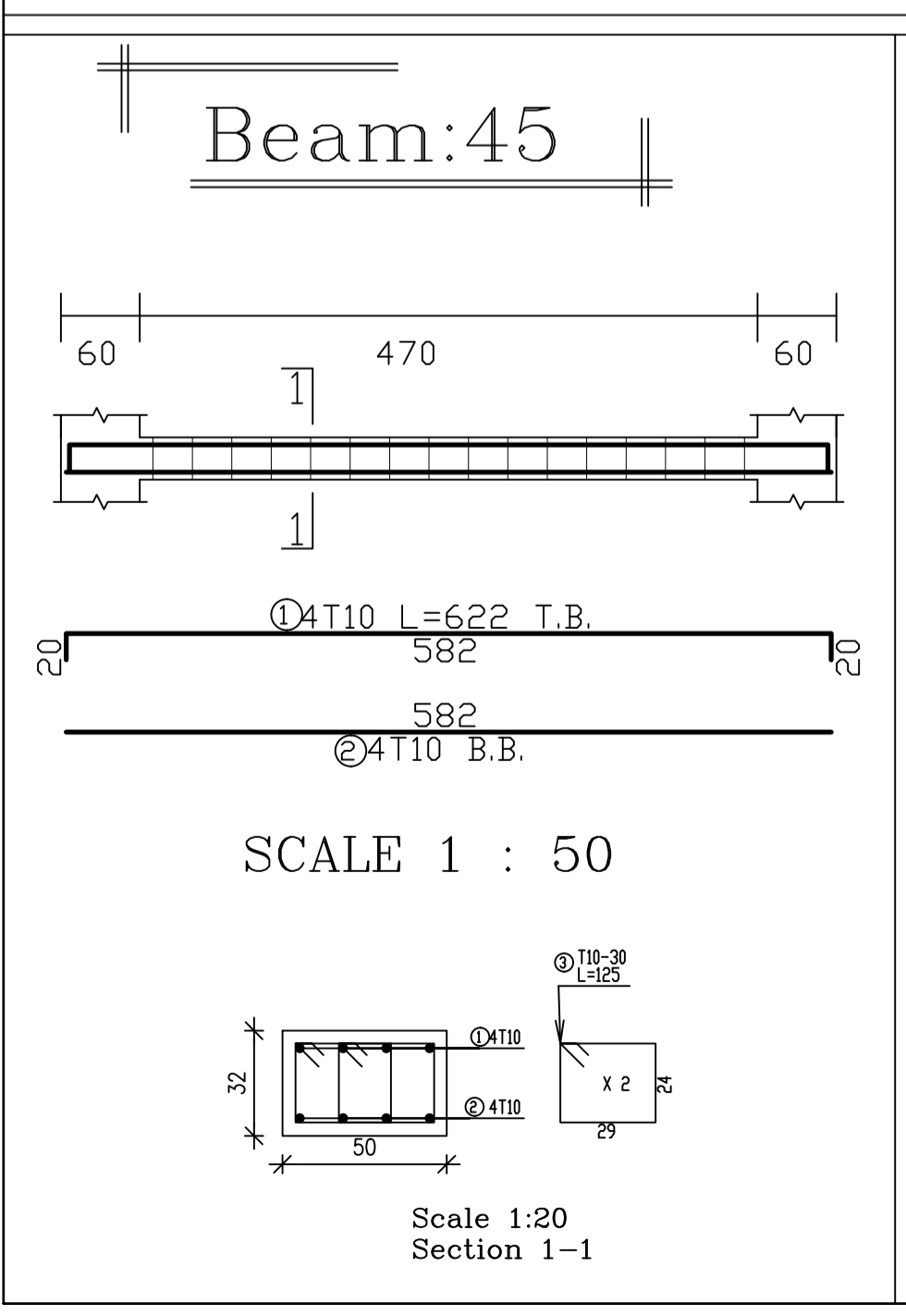
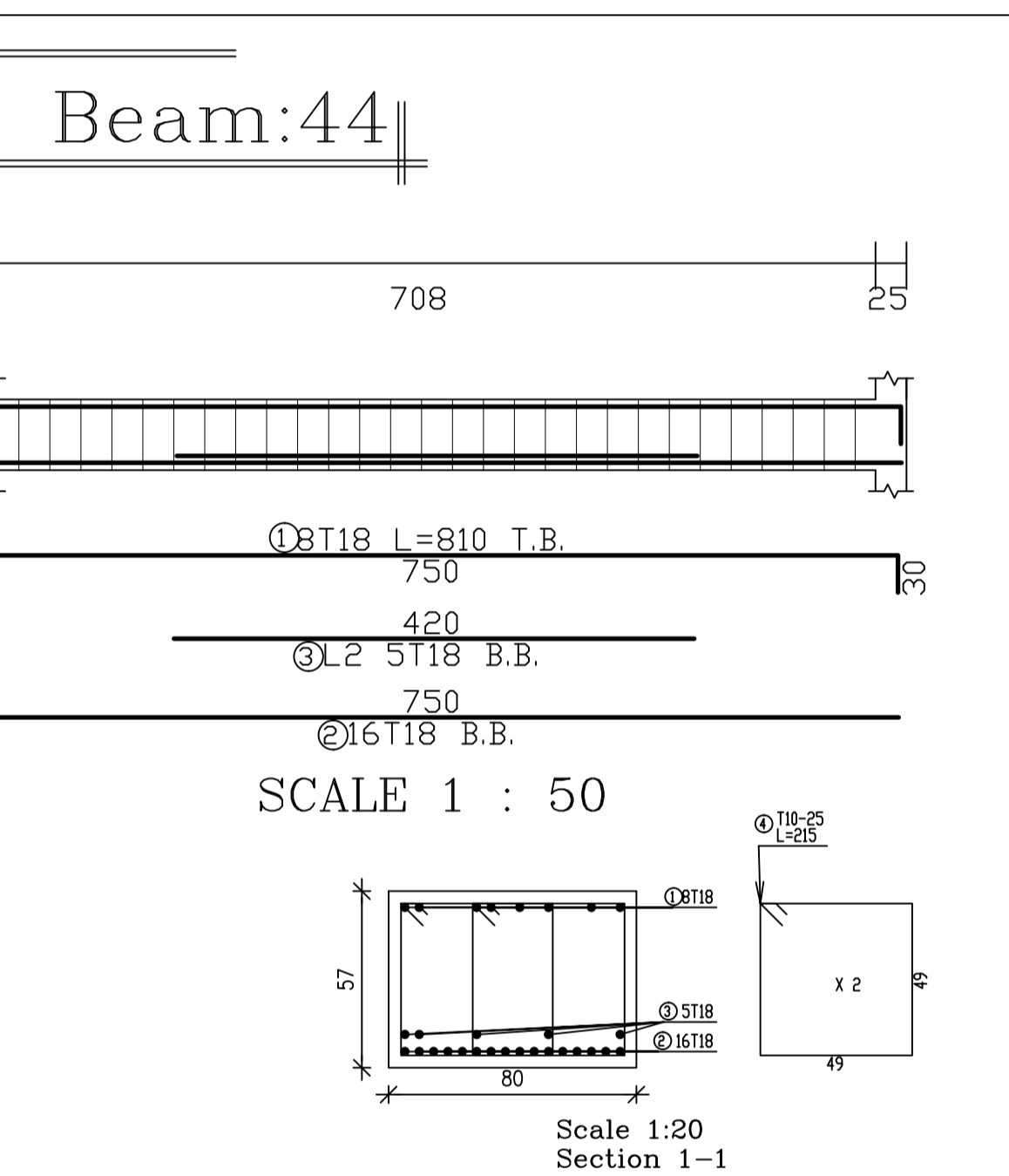
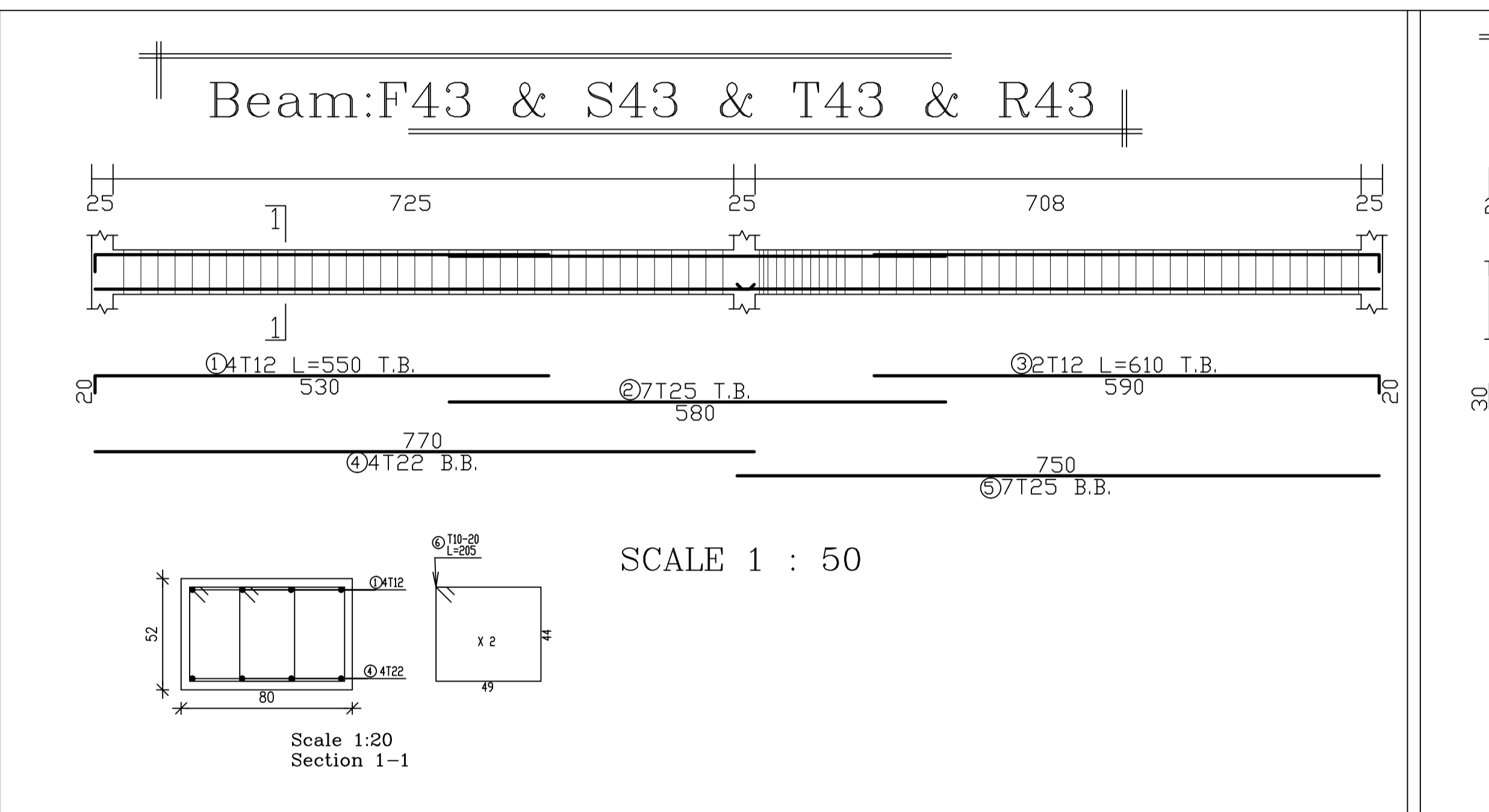
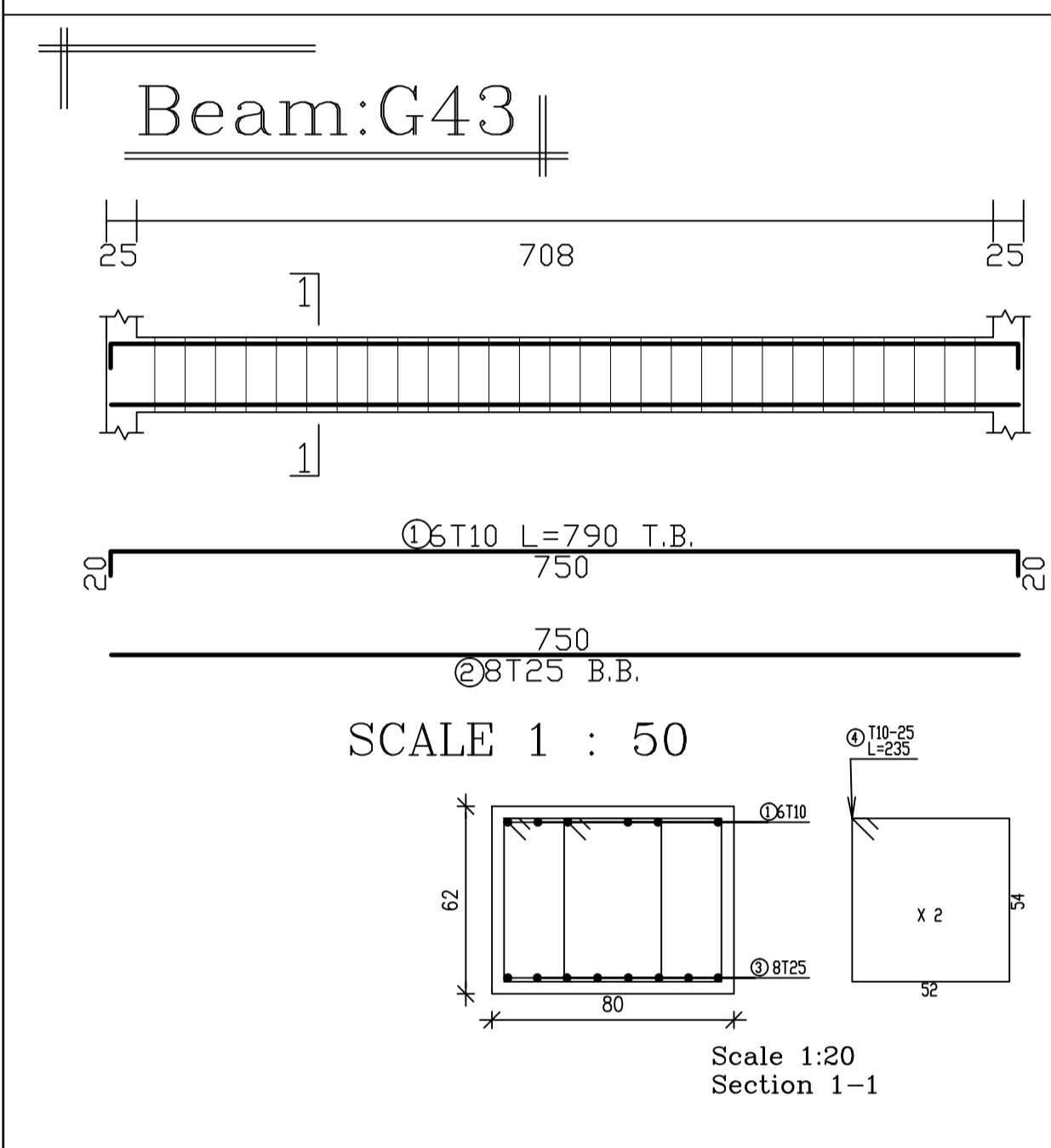
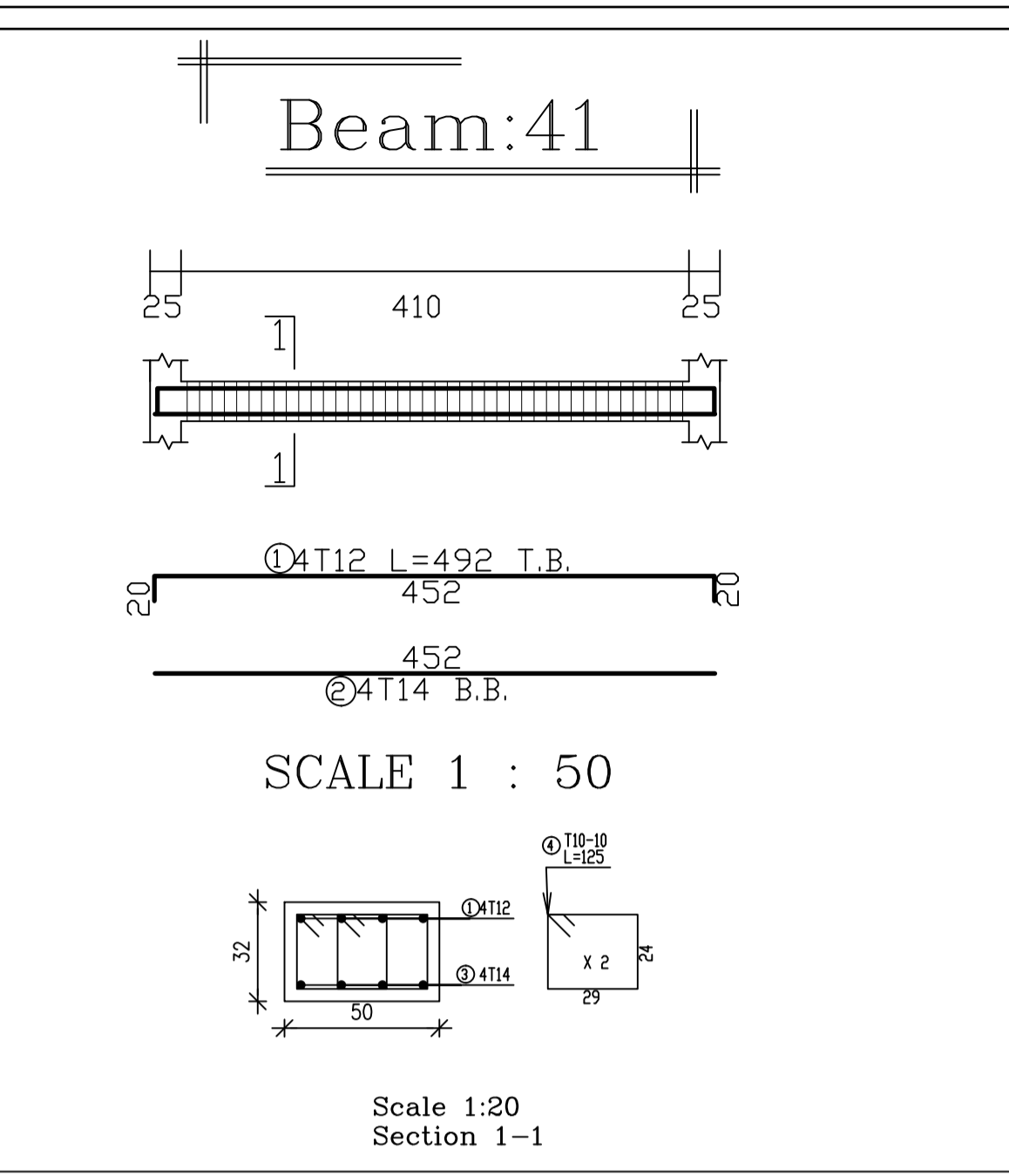
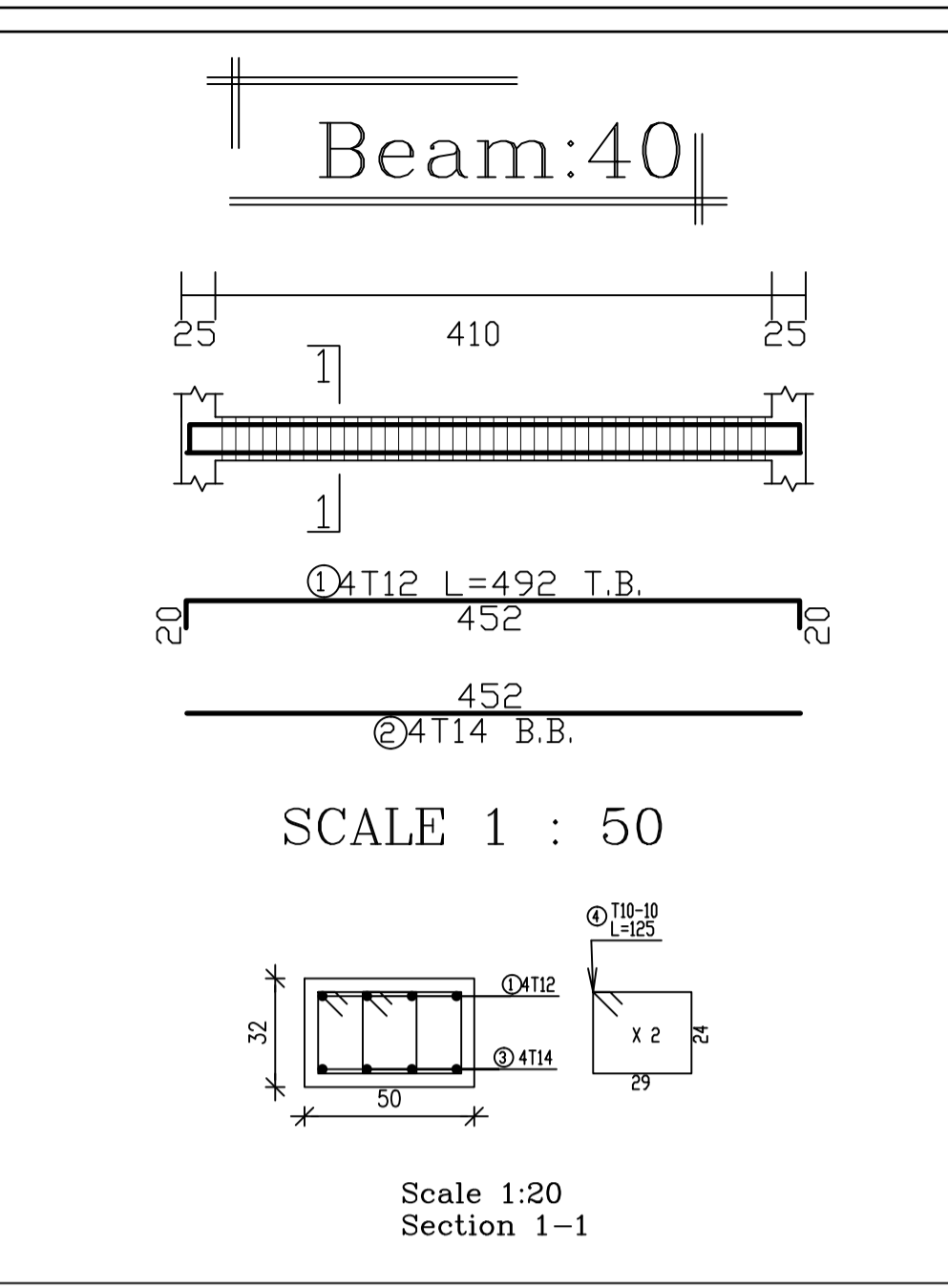
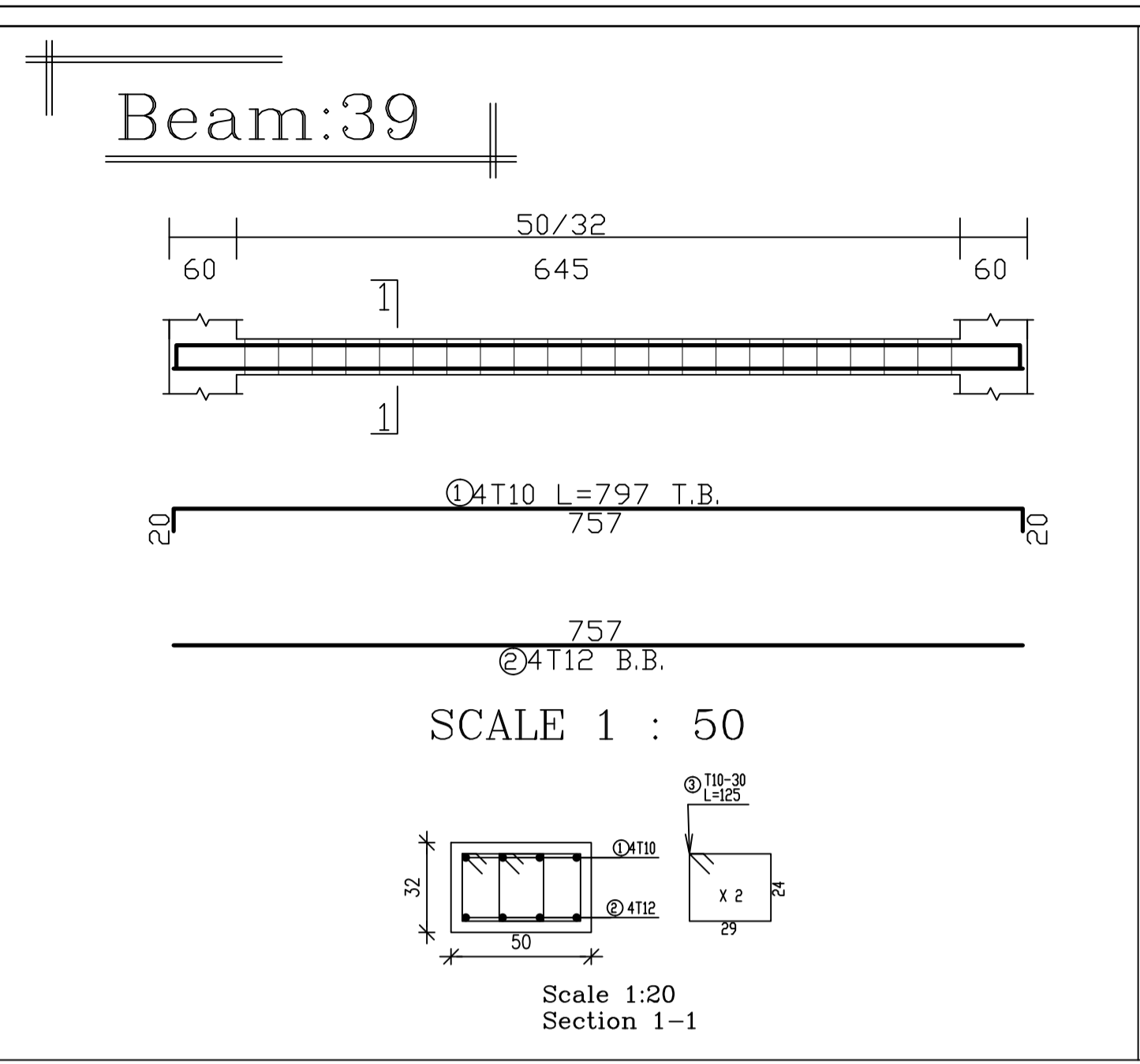
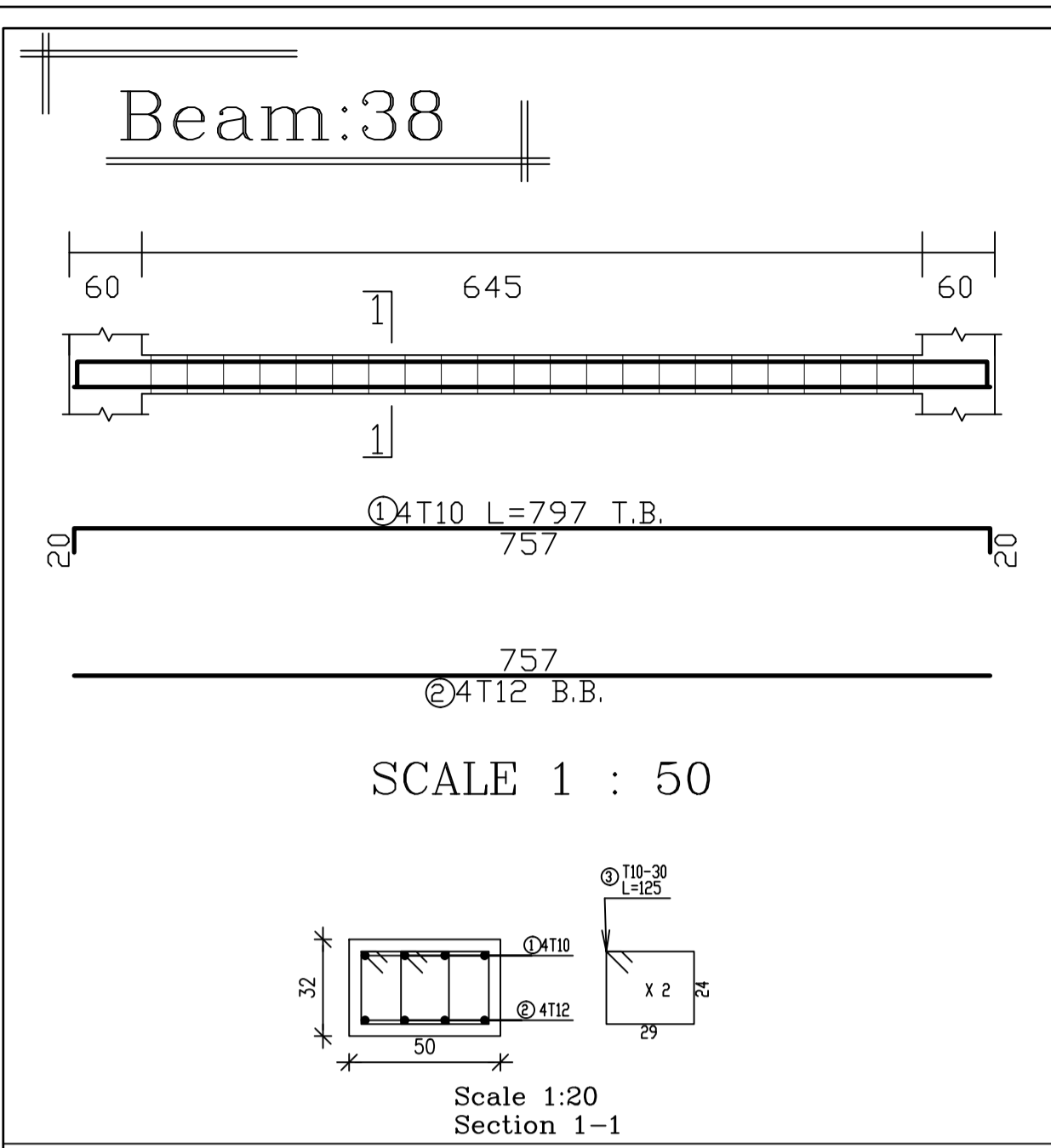
BEAMS DETAILS

Sheet NO. S08-0

Units cm

Scale INDICATED

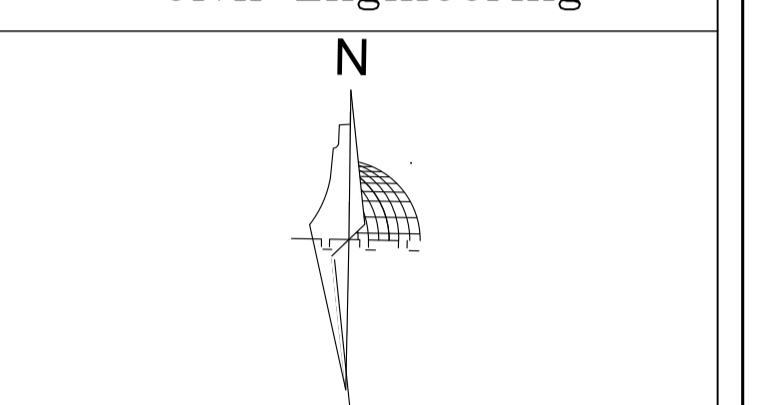
Date January-2024



Palestine Polytechnic University

Engineering College

Civil Engineering



Supervised by :

Eng. Inas Shweki

Designed by:

Maisa Al-Atrash
205148

Sojoud Rjoob
185293

Note :

Project name:

Al-Samu Hospital

Drawing title :

BEAMS DETAILS

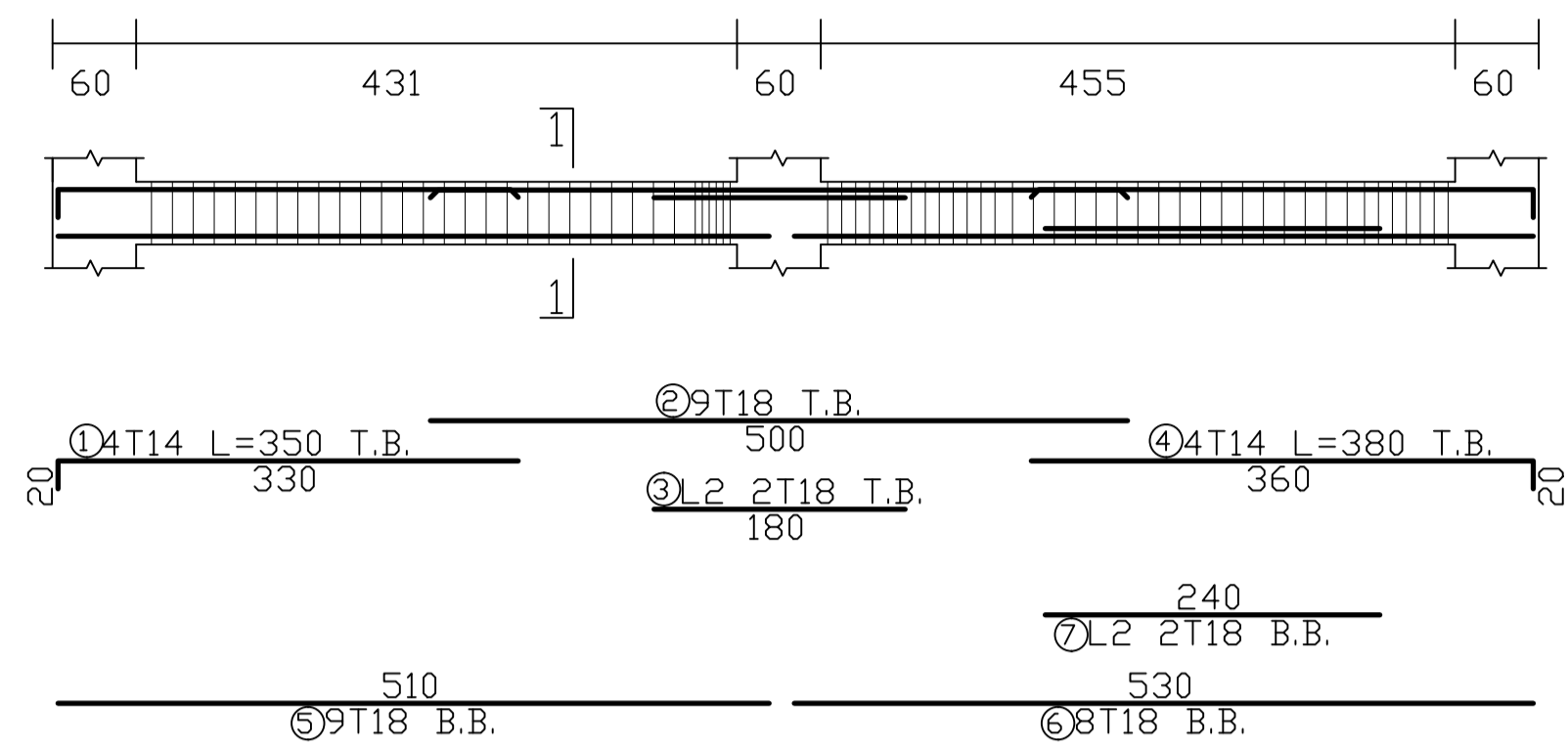
Sheet NO. S08-P

Units cm

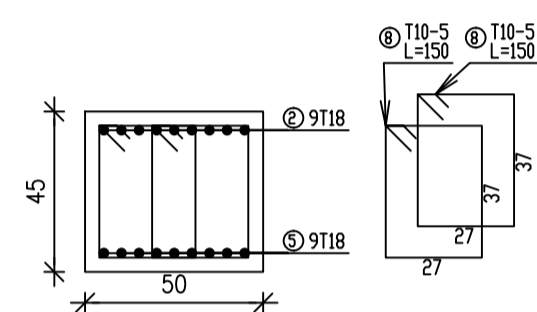
Scale INDICATED

Date January-2024

Beam:BB1

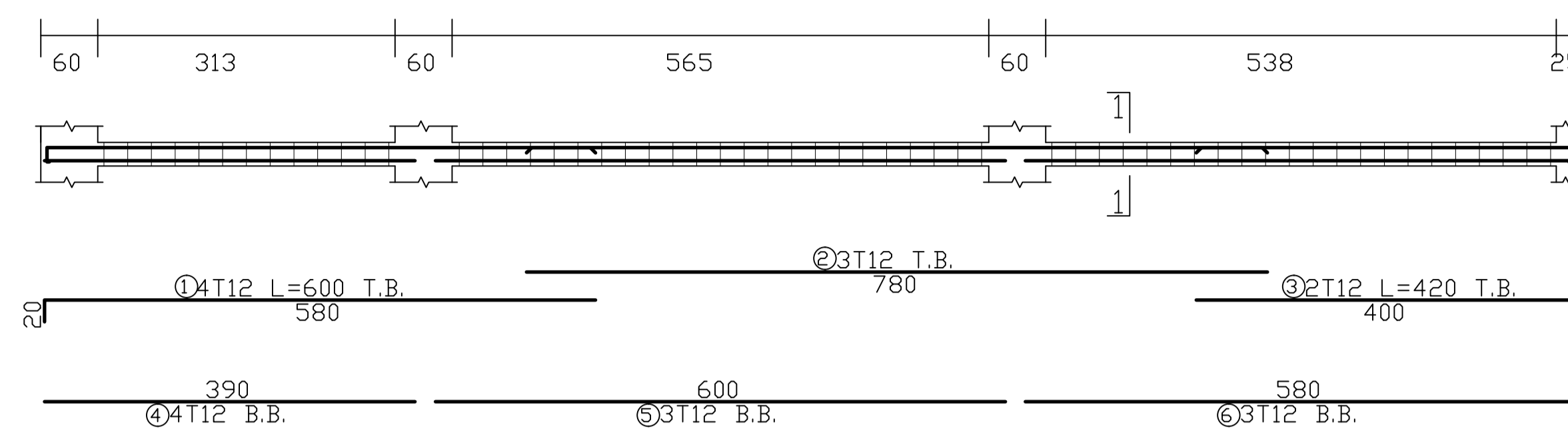


SCALE 1 : 50

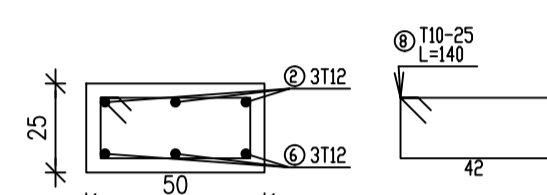


Scale 1:20
Section 1-1

Beam:BB2

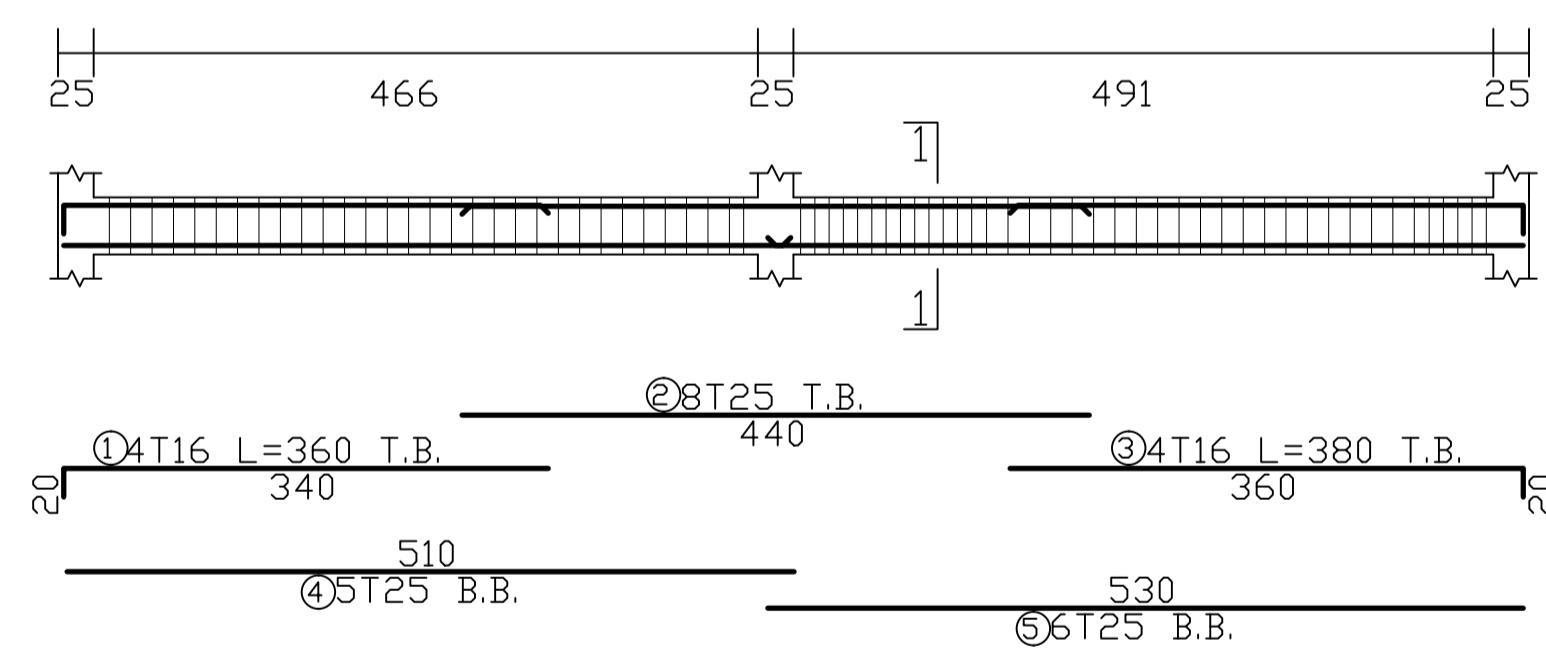


SCALE 1 : 50

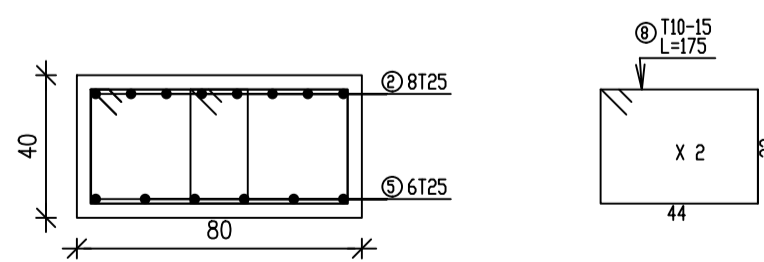


Scale 1:20
Section 1-1

Beam:BB3

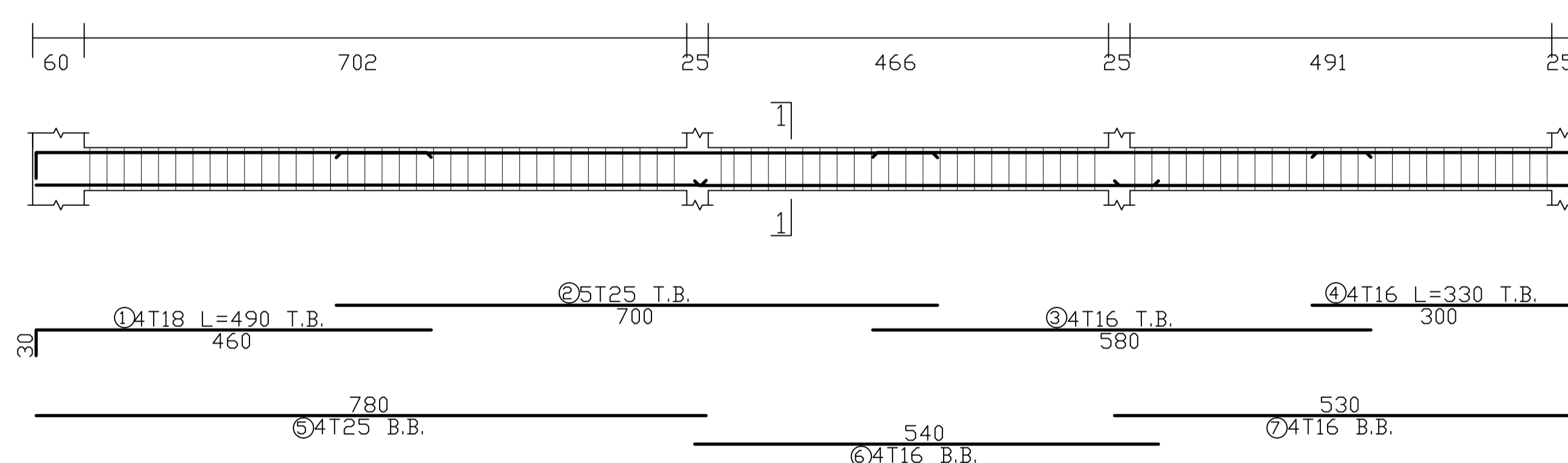


SCALE 1 : 50

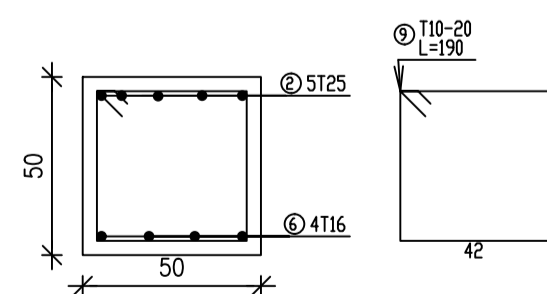


Scale 1:20
Section 1-1

Beam:BB4



SCALE 1 : 50



Scale 1:20
Section 1-1

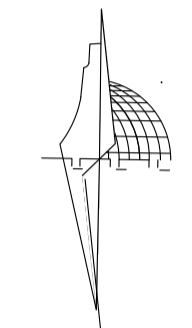


Palestine Polytechnic University

Engineering College

Civil Engineering

N



Supervised by :

Eng. Inas Shweki

Designed by:

Maisa Al-Atrash
205148

Sojoud Rjoob
185293

Note :

Project name:

Al-Samu Hospital

Drawing title :

**BEAMS DETAILS
(For Basement Floor)**

Sheet NO. S08-Q

Units cm

Scale INDICATED

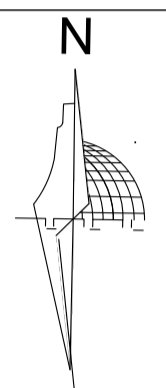
Date January-2024



Palestine Polytechnic University

Engineering College

Civil Engineering



Supervised by :

Eng. Inas Shweki

Designed by:

Maisa Al-Atrash
205148

Sojoud Rjoob
185293

Note :

Project name:

Al-Samu Hospital

Drawing title :

**BEAMS DETAILS
(For Basement Floor)**

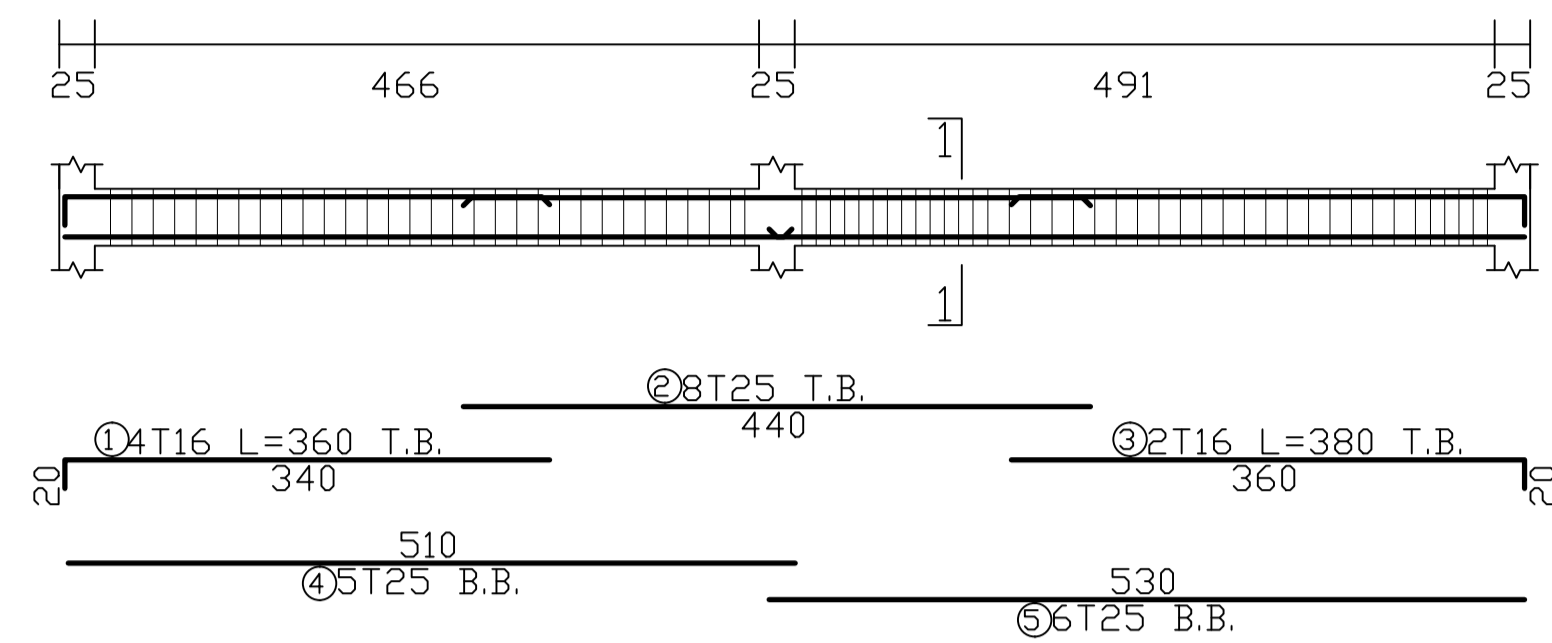
Sheet NO. **S08-R**

Units cm

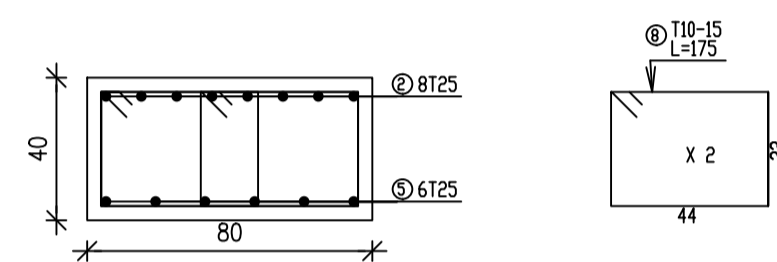
Scale INDICATED

Date January-2024

Beam:BB5

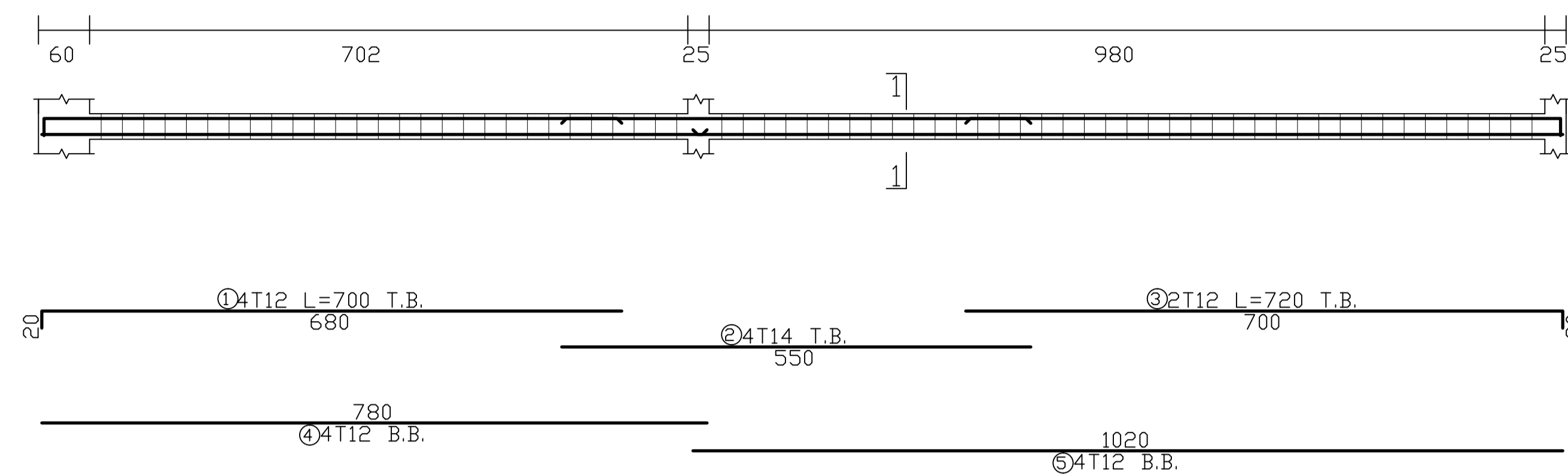


SCALE 1 : 50

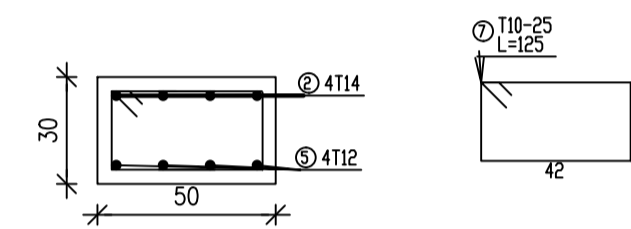


Scale 1:20
Section 1-1

Beam:BB7

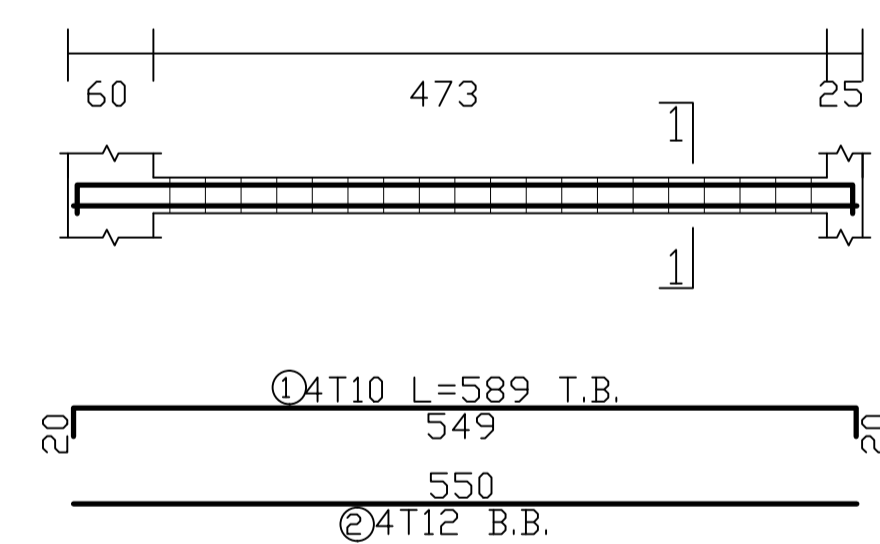


SCALE 1 : 50

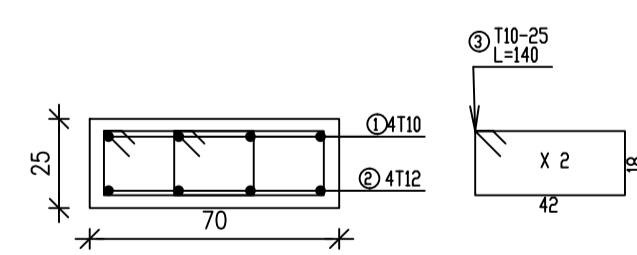


Scale 1:20
Section 1-1

Beam:BB6

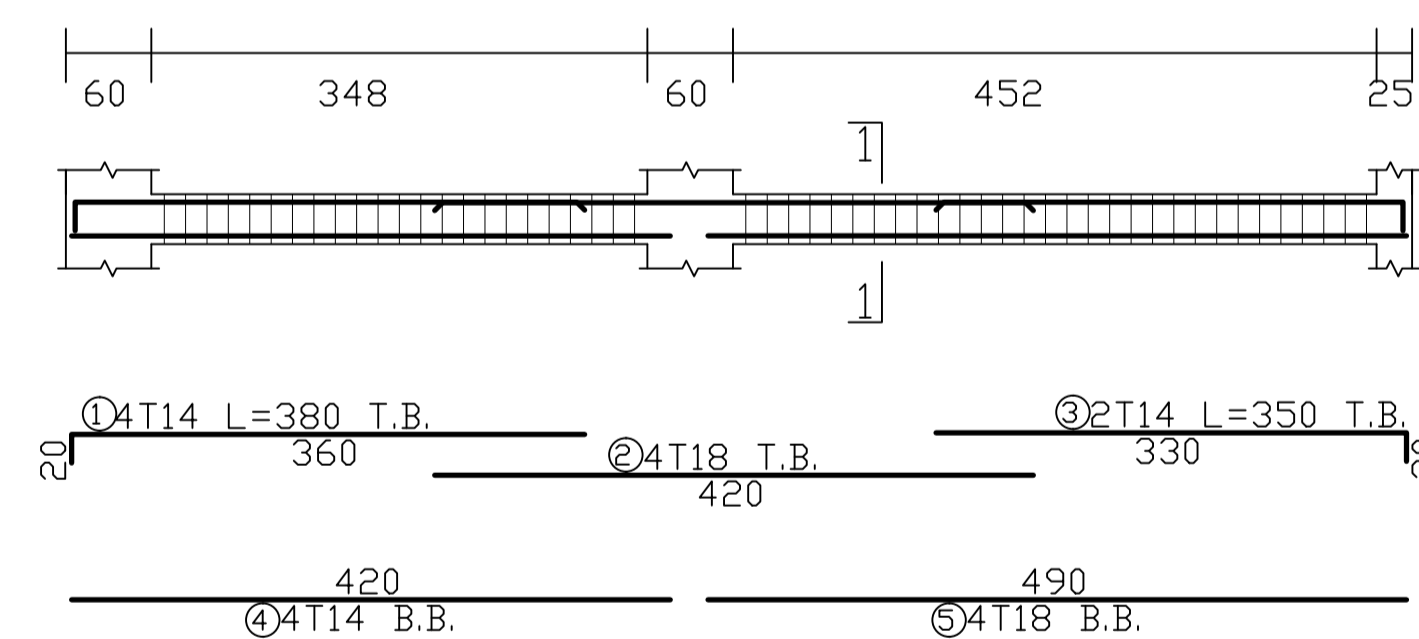


SCALE 1 : 50

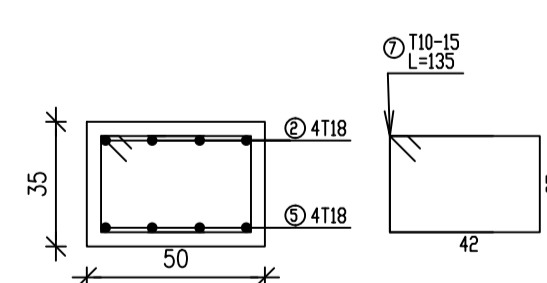


Scale 1:20
Section 1-1

Beam:BB8

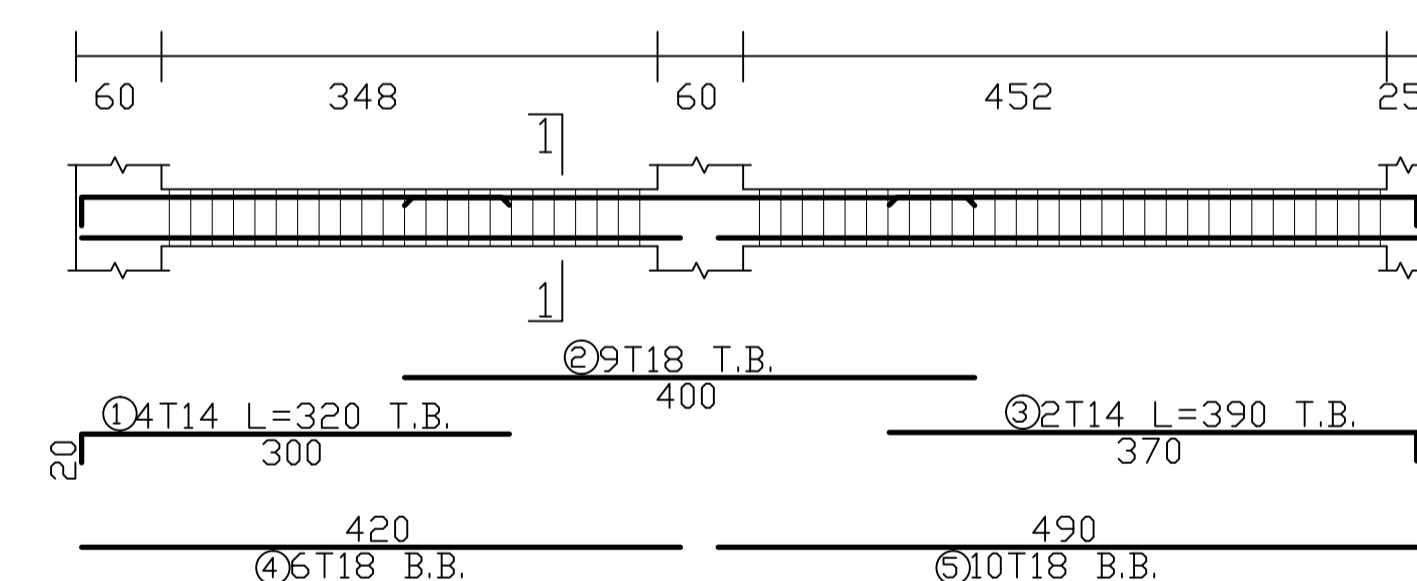


SCALE 1 : 50

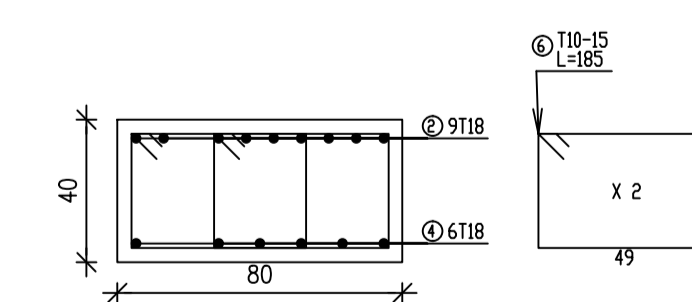


Scale 1:20
Section 1-1

Beam:BB9

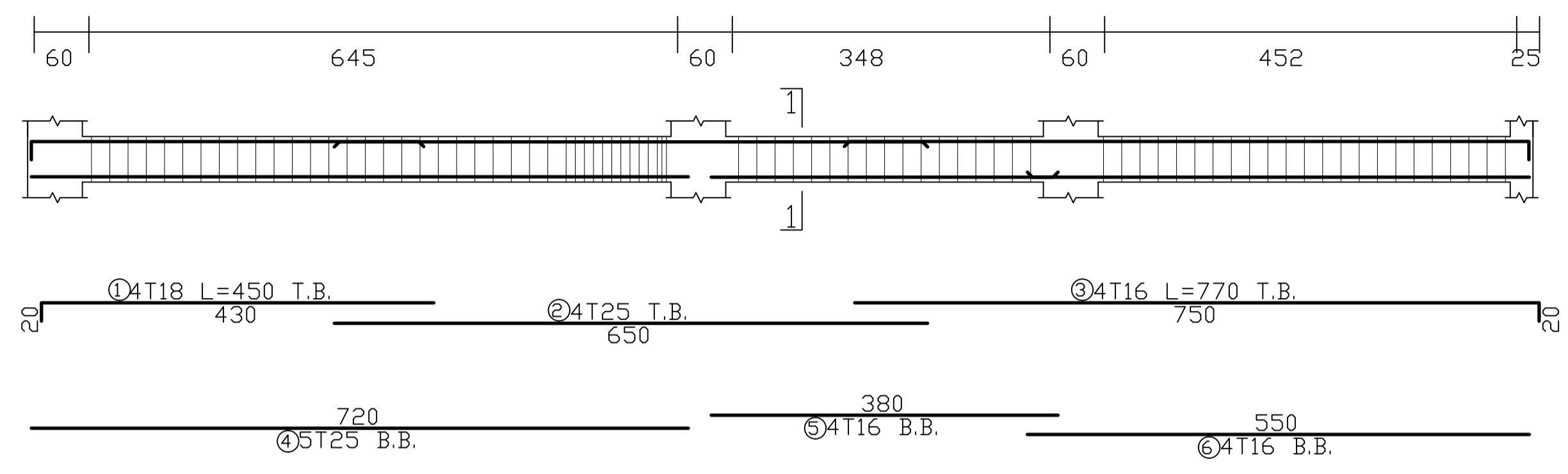


SCALE 1 : 50

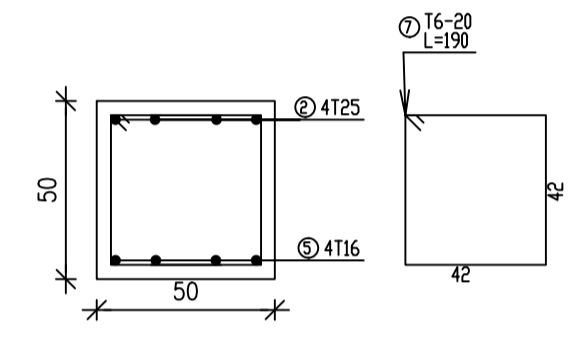


Scale 1:20
Section 1-1

Beam:BB10

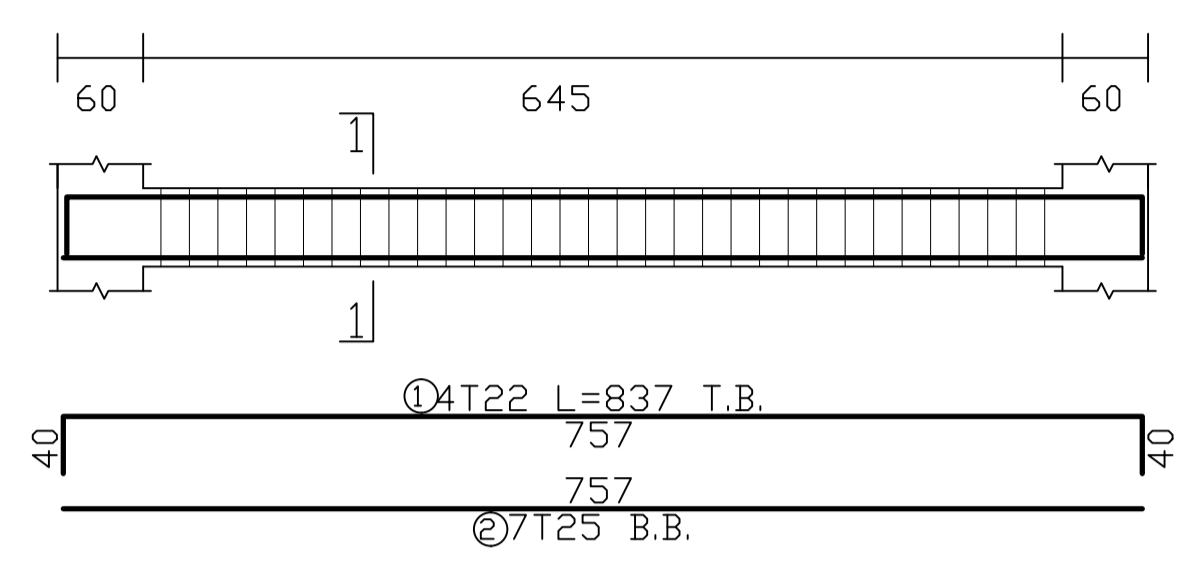


SCALE 1 : 50

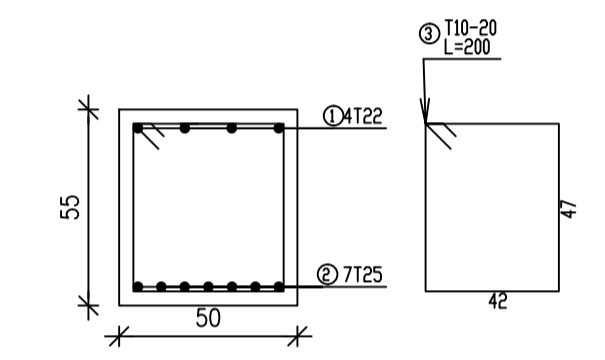


Scale 1:20 Section 1-1

Beam:BB11

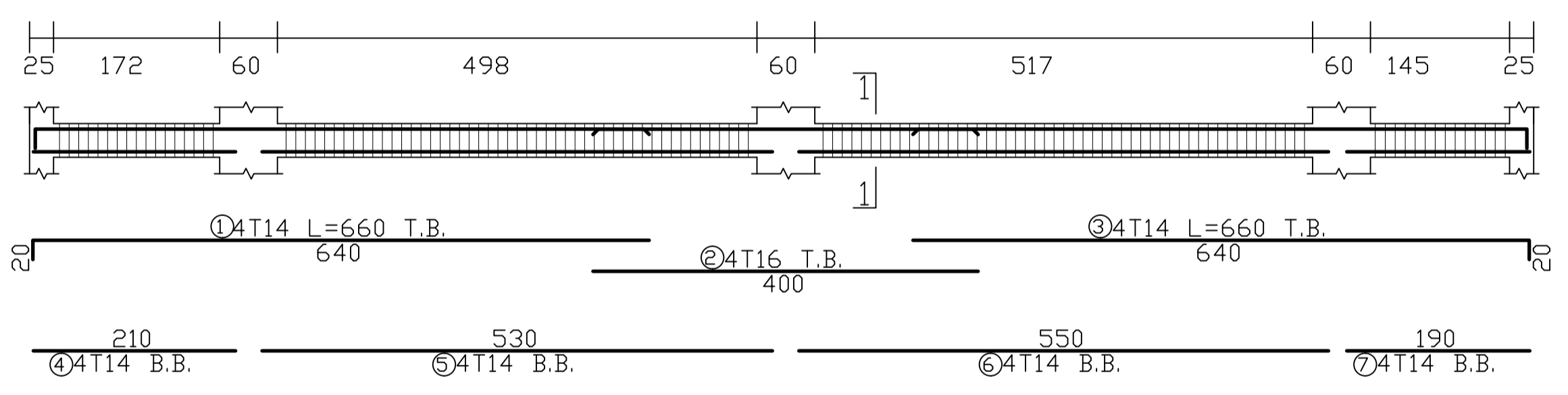


SCALE 1 : 50

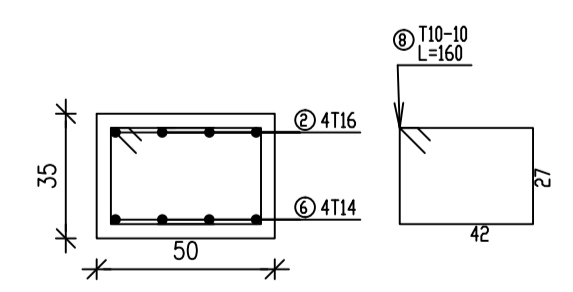


Scale 1:20 Section 1-1

Beam:BB 12 & 13

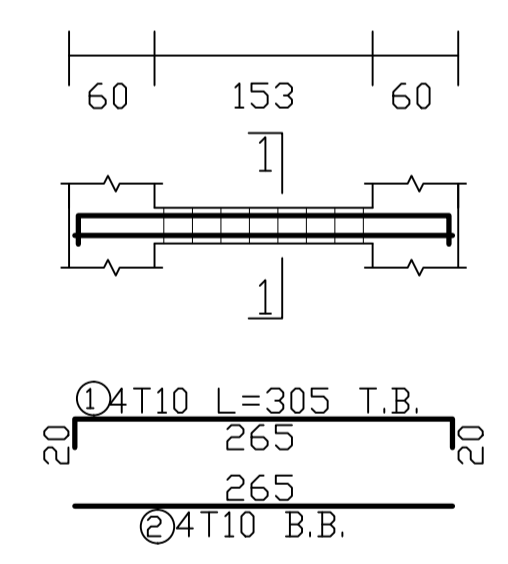


SCALE 1 : 50

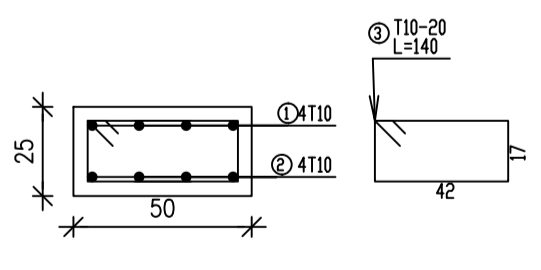


Scale 1:20 Section 1-1

Beam:BB 14 & 15

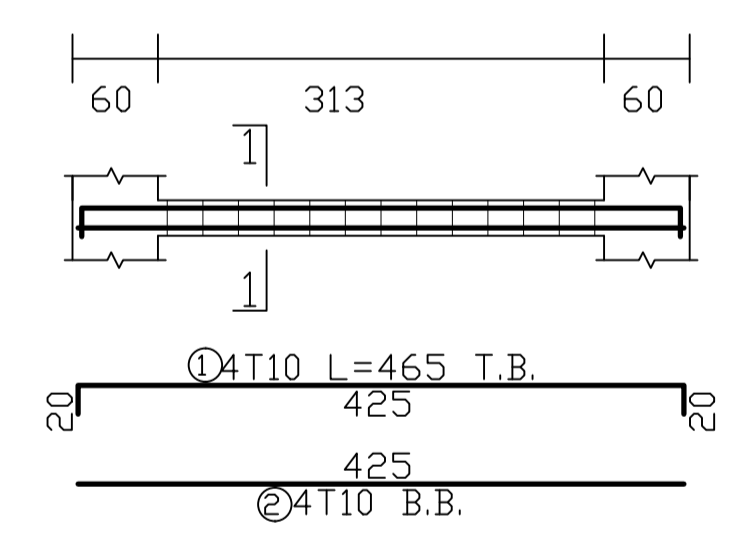


SCALE 1 : 50

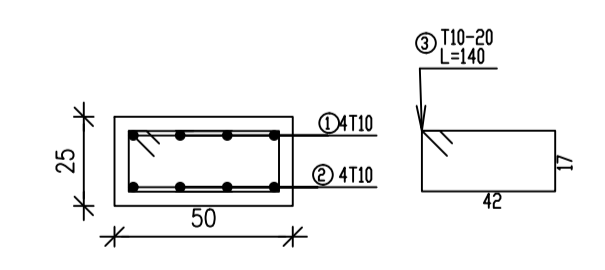


Scale 1:20 Section 1-1

Beam:BB16



SCALE 1 : 50



Scale 1:20 Section 1-1

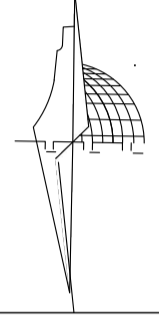


Palestine Polytechnic University

Engineering College

Civil Engineering

N



Supervised by :

Eng. Inas Shweki

Designed by:

Maisa Al-Atrash

205148

Sojoud Rjoob

185293

Note :

Project name:

Al-Samu Hospital

Drawing title :

**BEAMS DETAILS
(For Basement Floor)**

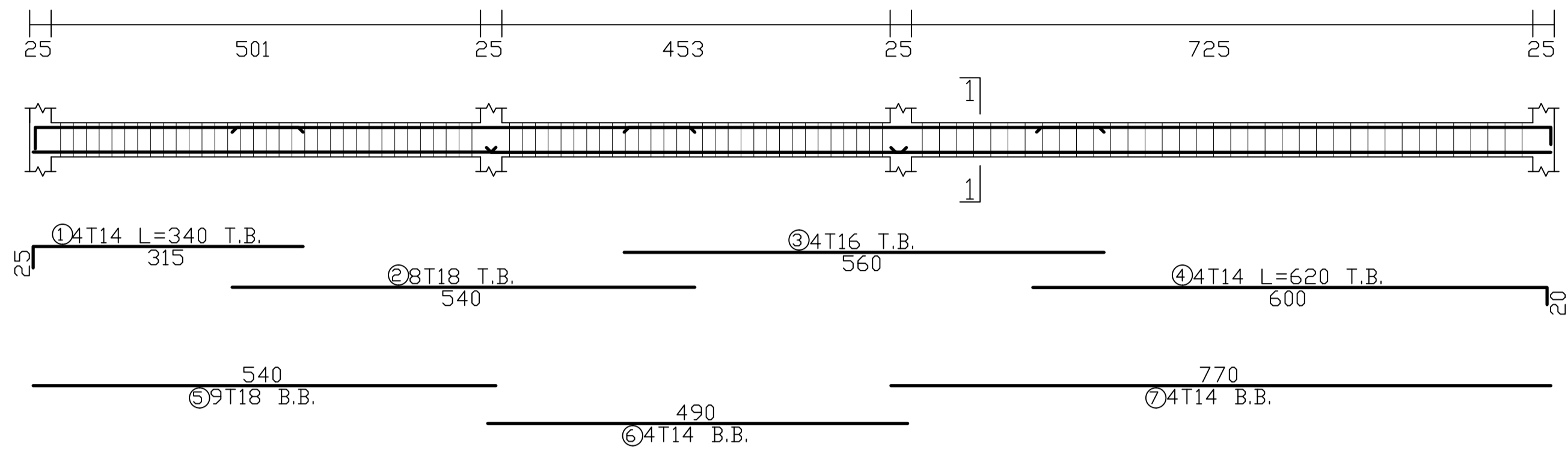
Sheet NO. S08-S

Units cm

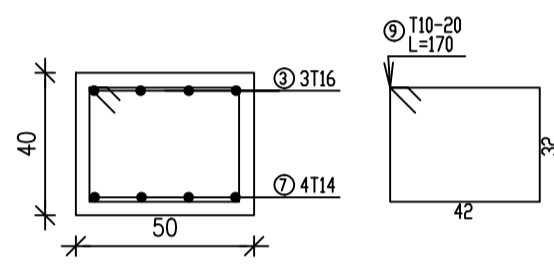
Scale INDICATED

Date January-2024

Beam:BB 17 & 18

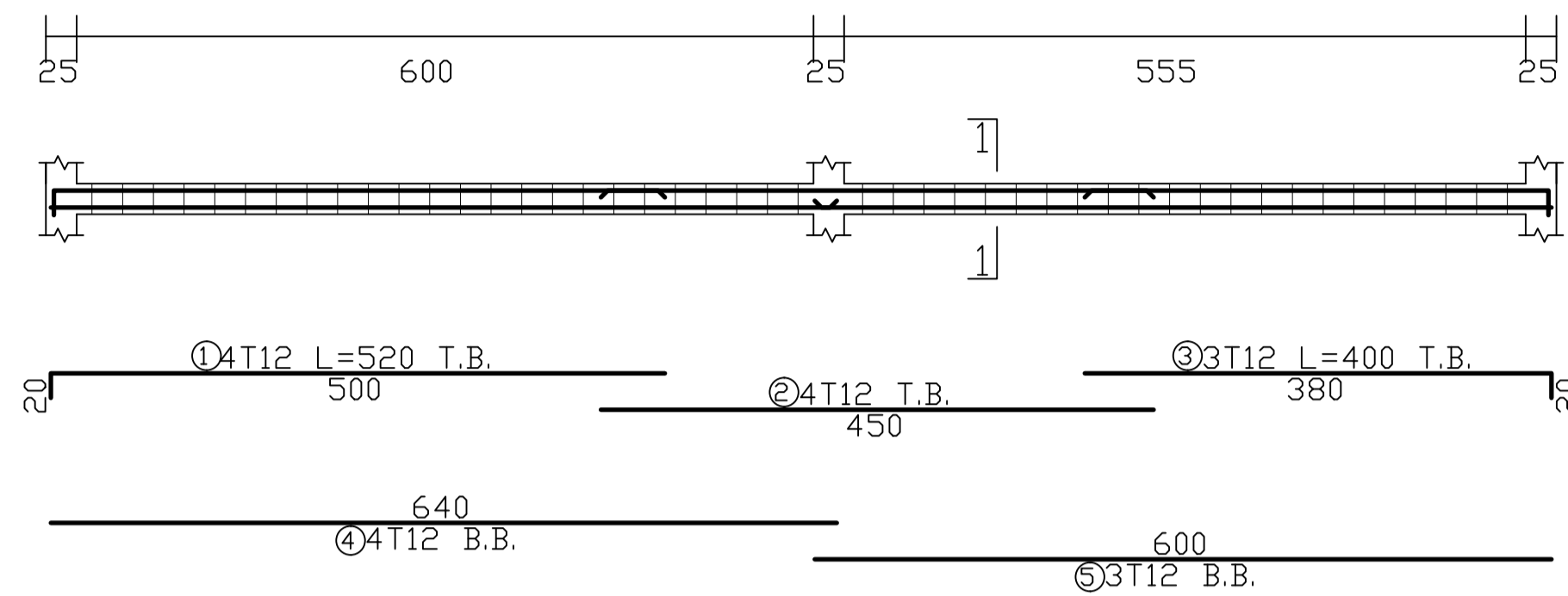


SCALE 1 : 50

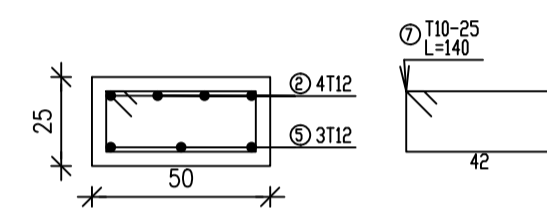


Scale 1:20 Section 1-1

Beam:BB19

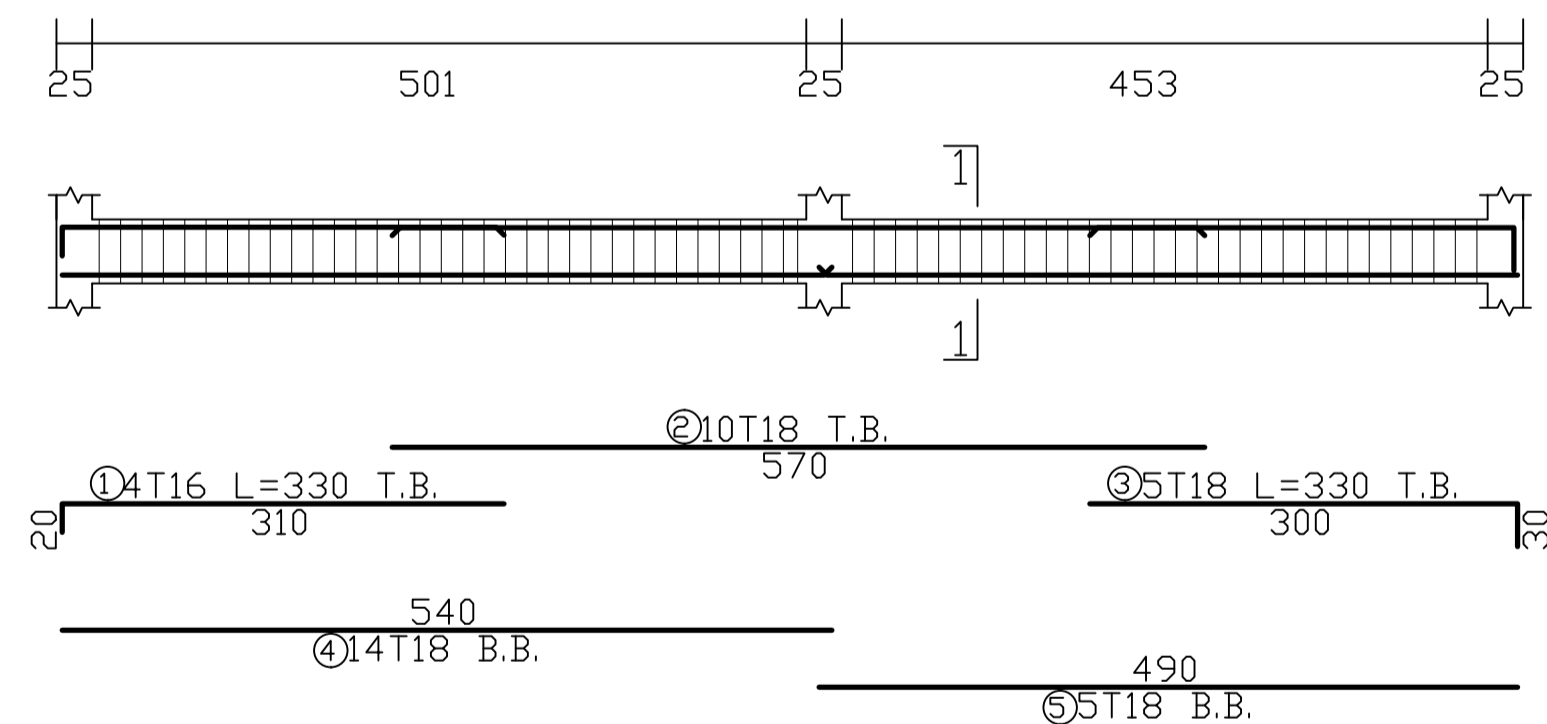


SCALE 1 : 50

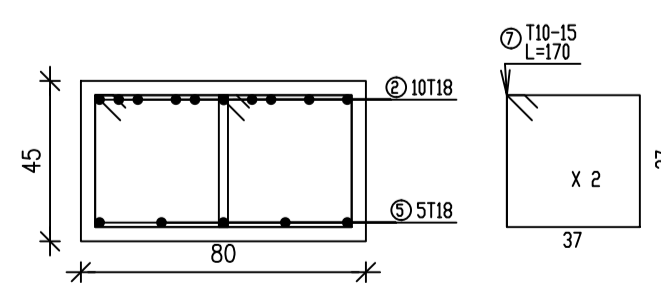


Scale 1:20 Section 1-1

Beam:BB20

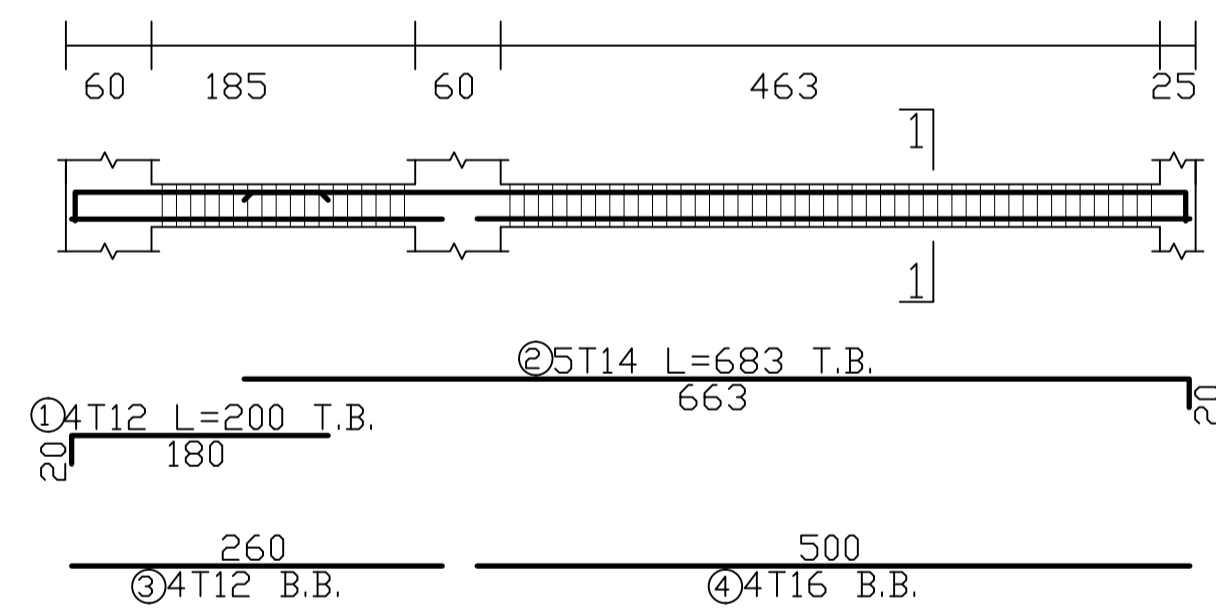


SCALE 1 : 50

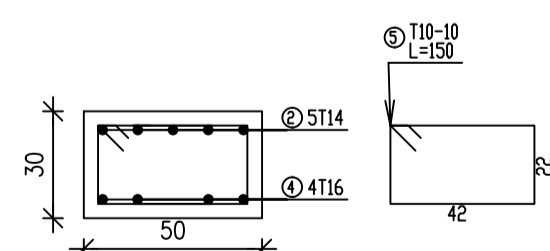


Scale 1:20 Section 1-1

Beam:BB 21 & 22

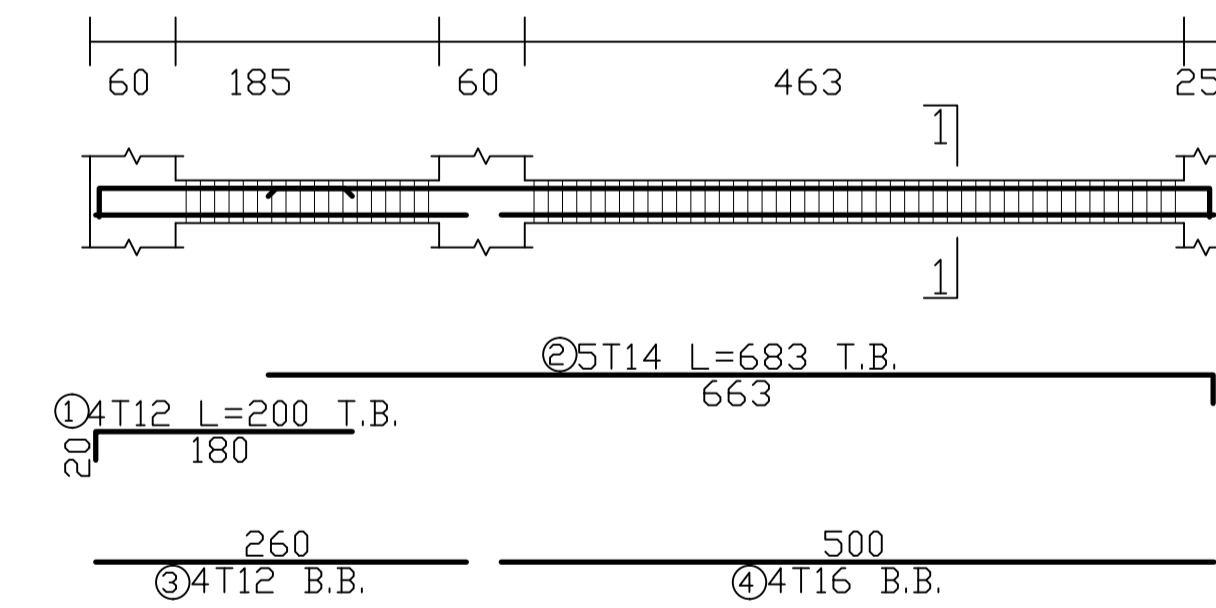


SCALE 1 : 50

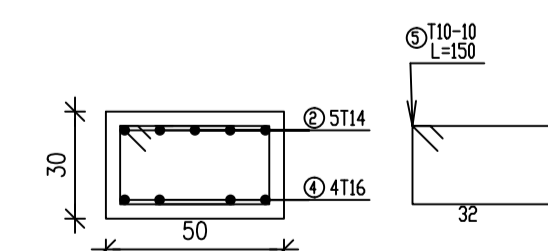


Scale 1:20 Section 1-1

Beam:BB 23 & 24



SCALE 1 : 50



Scale 1:20 Section 1-1

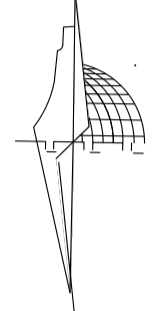


Palestine Polytechnic University

Engineering College

Civil Engineering

N



Supervised by :

Eng. Inas Shweki

Designed by:

Maisa Al-Atrash
205148

Sojoud Rjoob
185293

Note :

Project name:

Al-Samu Hospital

Drawing title :

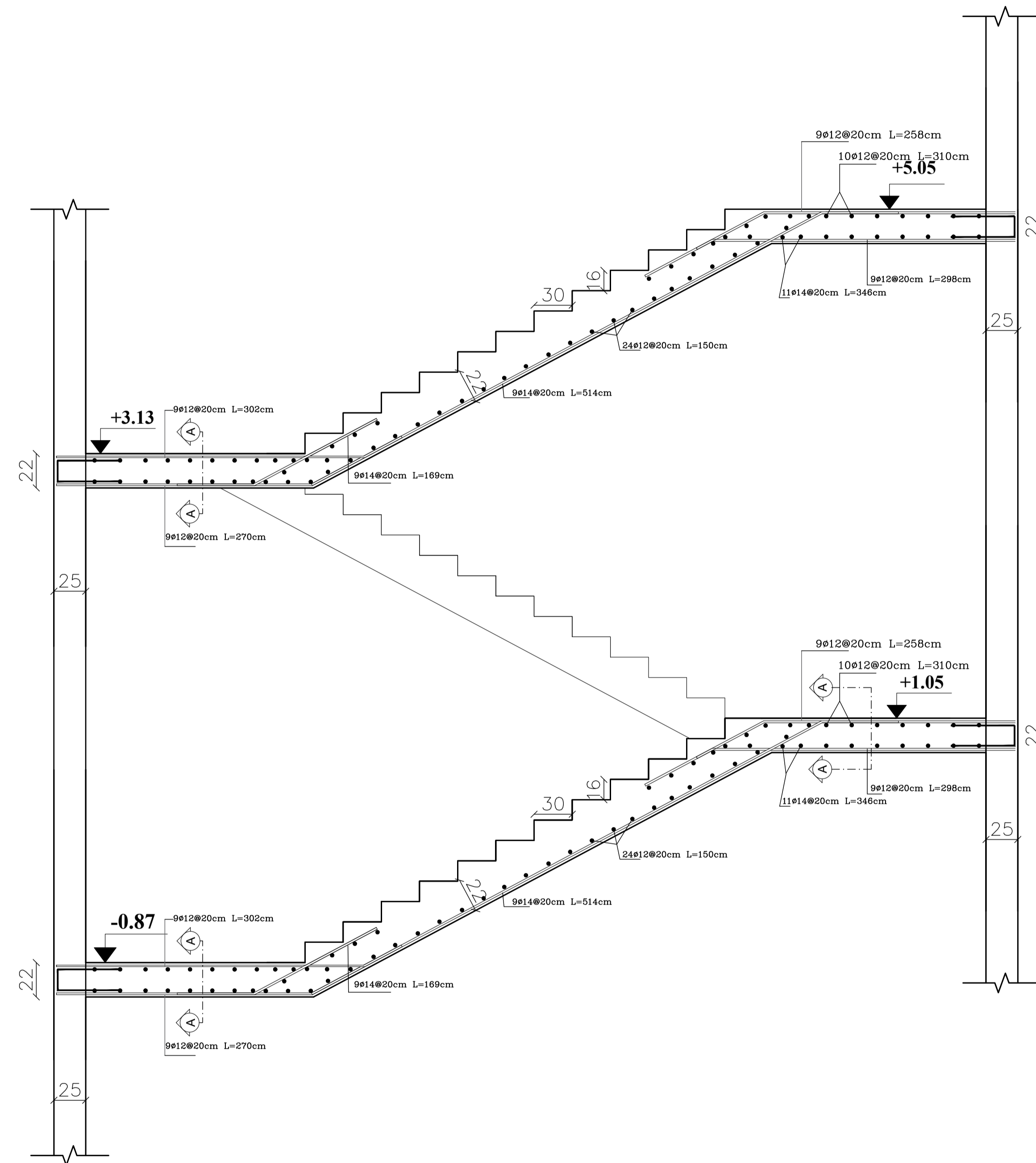
**BEAMS DETAILS
(For Basement Floor)**

Sheet NO. S08-T

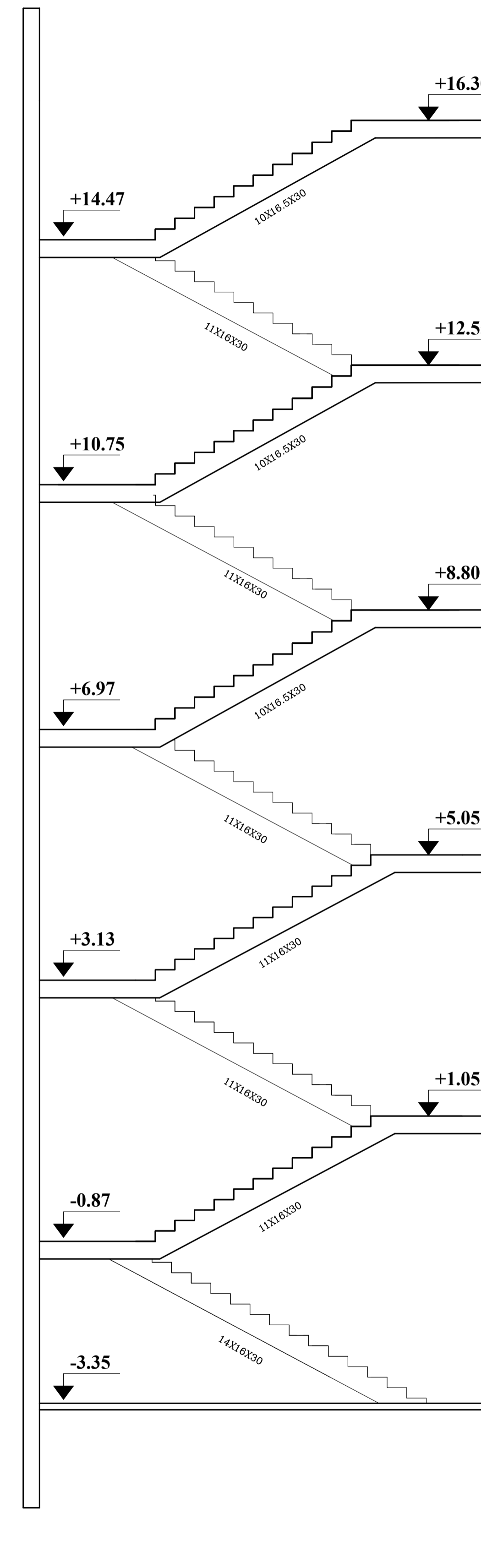
Units cm

Scale INDICATED

Date January-2024



Staircase Reinf. Detailing
SCALE 1 : 25



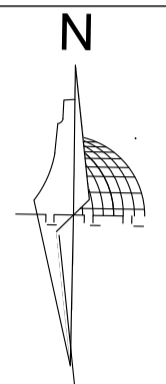
Section In Staircase
SCALE 1 : 50



Palestine Polytechnic University

Engineering College

Civil Engineering



Supervised by :

Eng. Inas Shweki

Designed by:

Maisa Al-Atrash
205148

Sojoud Rjoob
185293

Note :

Project name:

Al-Samu Hospital

Drawing title :

STAIRCASE DETAILS

Sheet NO. S09-A

Units cm

Scale INDICATED

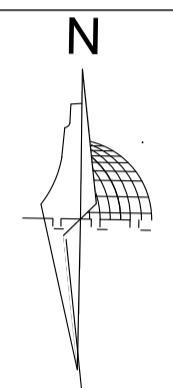
Date January-2024



Palestine Polytechnic University

Engineering College

Civil Engineering



Supervised by :

Eng. Inas Shweki

Designed by:

Maisa Al-Atrash
205148

Sojoud Rjoob
185293

Note :

Project name:

Al-Samu Hospital

Drawing title :

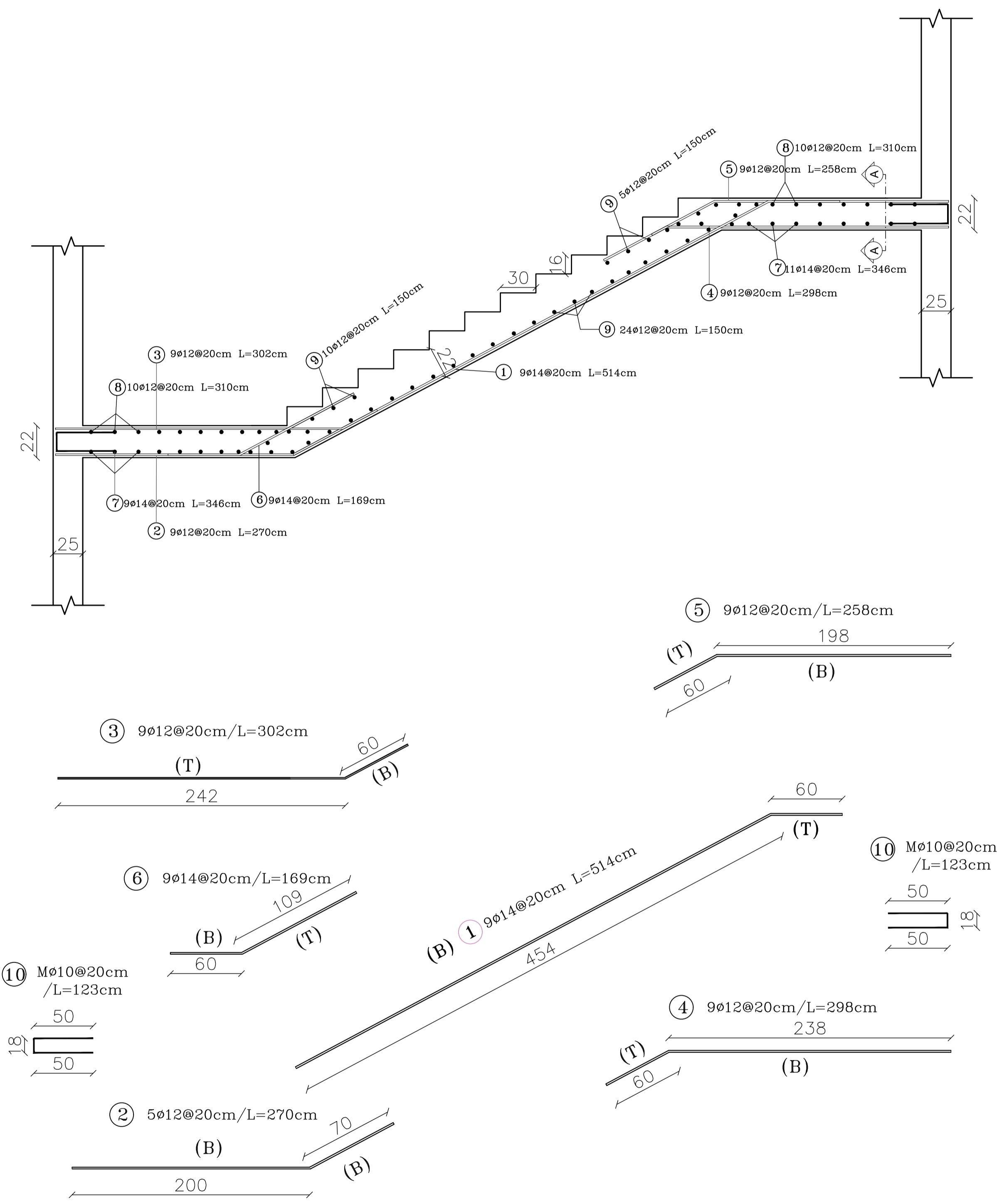
STAIRCASE DETAILS

Sheet NO. S09-B

Units INDICATED

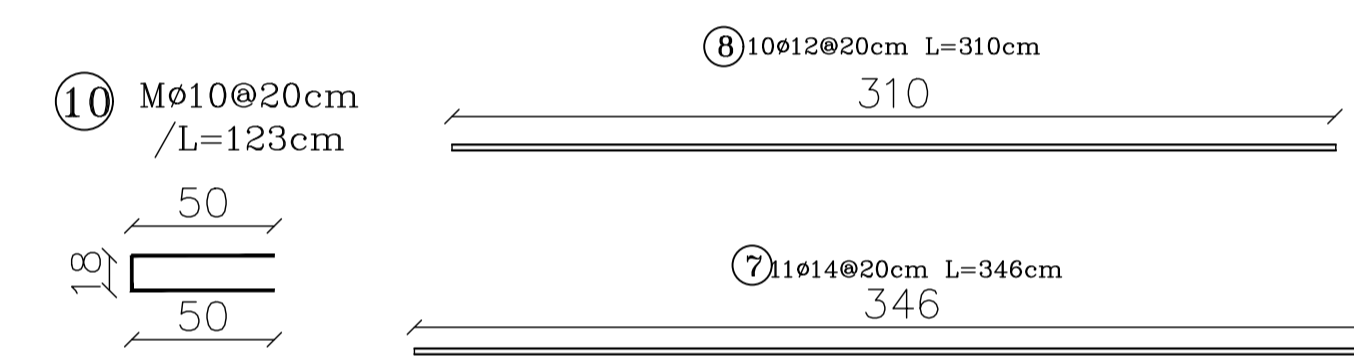
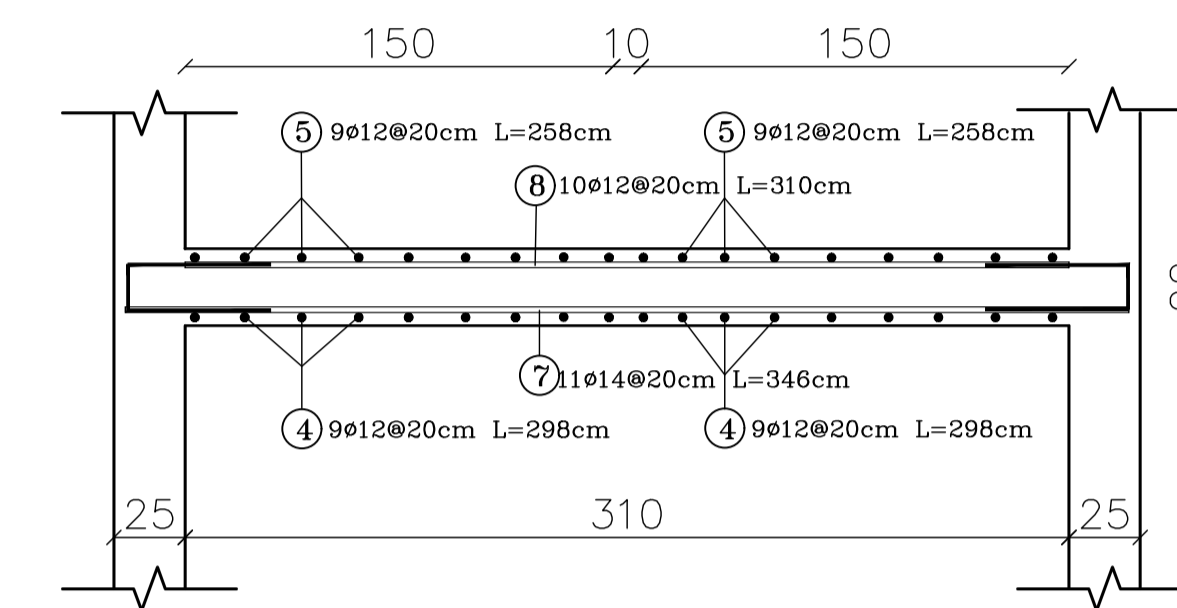
Scale 1:25

Date January-2024



Typical Section in Staircase

SCALE 1 : 25



SECTION (A-A)

SCALE 1 : 25