

Palestine Polytechnic University  
College Of Engineering  
Civil Engineering Department  
Civil Engineering  
Graduation Project:  
Structural Design Of Al-N00R Hotel

Done By :

Mohammad Radi Zareer  
Husam Mohammad Talamah

Supervisor:

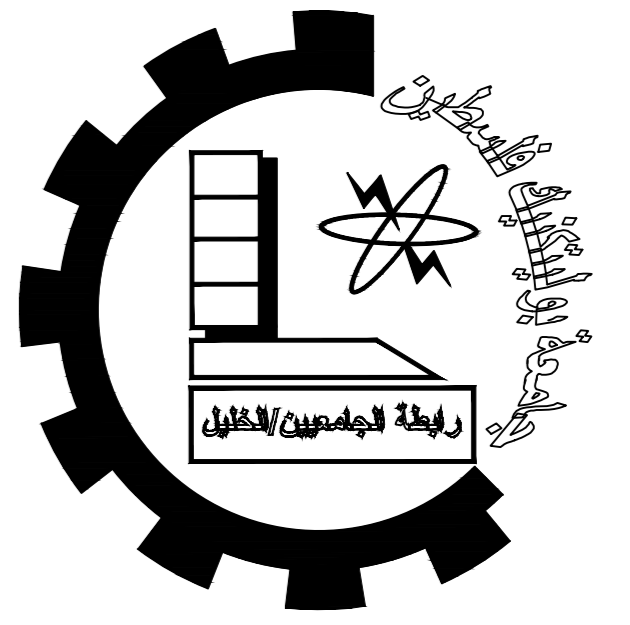
Dr.Nasr Abboushi

Date:

21/1/2024

# LIST OF DRAWINGS

ARCHITECTURAL		STRUCTURE			
DWG.NO.	DWG.TITLE.	DWG.NO.	DWG.TITLE.	DWG.NO.	DWG.TITLE.
A00	Site Plan	S00	General Notes	S16	Shear Wall 3 Reinforcement
A01	Basement Floor Plan	S01	Foundation Plan	S17	Shear Wall 4 Reinforcement
A02	Ground Floor Plan	S02-S03	Mat Foundation Reinforcement	S18	Shear Wall 5 Reinforcement
A03	First Floor Plan	S04	isolated Foundation Reinforcement	S19	Shear Wall 6&7 Reinforcement
A04	Second Floor Plan	S05	Column's Plan	S20	Shear Wall 8 Reinforcement
A05	Third Floor Plan	S06	Column's Detailings	S21	Shear Wall 9 Reinforcement
A06	Fourth Floor Plan	S7	Column C1 & C2 & C4	S22	Shear Wall 10 + Basement Wall Reinforcement
A07	Fifth(Roof) Floor Plan	S8	Column C5 & C6 & C7	S23	Basement Floor Rib Distribution
A08	North Elevation	S9	Column C8 & C9 & C10	S24	Basement Floor Rib Reinforcement
A09	West Elevation	S10	Column C11 & C12	S25	Ground Floor Rib Distribution
A10	South Elevation	S11	Column C13 & C14 & C15	S26	Ground Floor Rib Reinforcement
A11	East Elevation	S12	Frame Reinforcement	S27	Ground Floor Additional Reinforcement
A12	Section A-A	S13	Wall's Plan	S28-S39	1st-5th Floor Rib Distribution & 1st-5th Floor Rib Reinforcement
A13	Section B-B	S14	Shear Wall 1 Reinforcement	S40-S56	Beams Reinforcement Details
		S15	Shear Wall 2 Reinforcement	S57	Stair Reinforcement



Palestine Polytechnic University

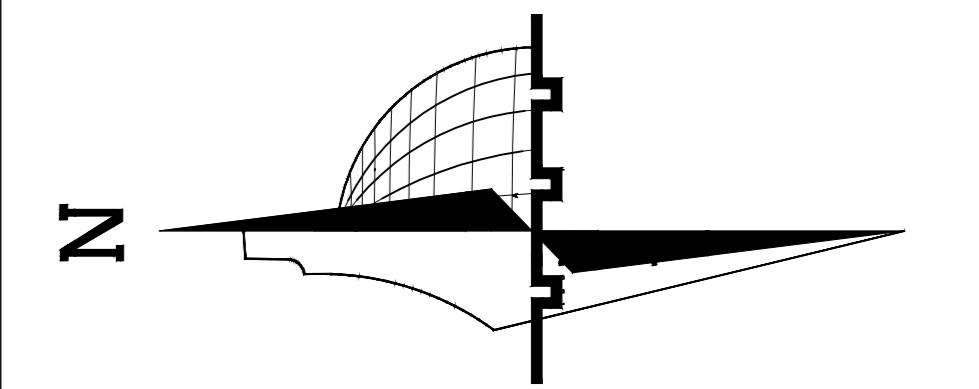
College of Engineering

Civil Engineering Department

Civil Engineering

Graduation Project

Al-Noor Hotel



### Legend :

	Stone		Gravel
	R.Concrete		Wood
	Concrete		HEXAGONAL TILES
	Hollow Block		BAKLAVA TILES
	isolating materiales		GRASS

DRAWING TITLE :

LIST OF DRAWINGS

Supervisor

Dr. Nasr Abboushi.

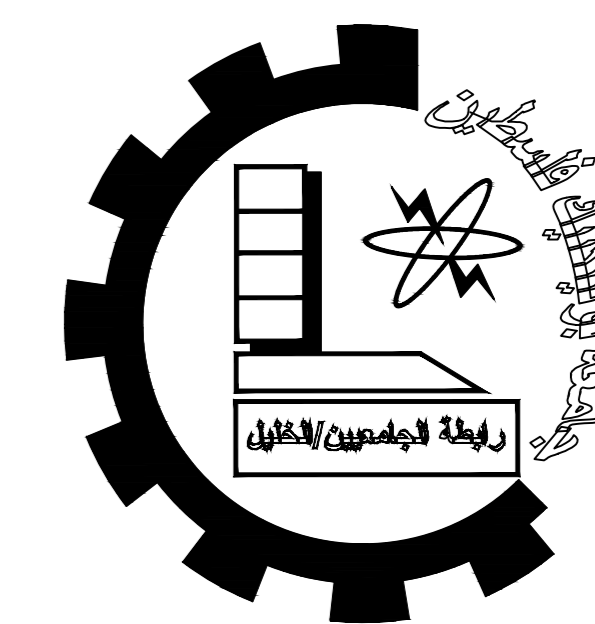
Done by :

Mohammad zareer

Husam Talahmeh

SCALE	No. of DRAW	DATE
1/100		21/01/2024





Palestine Polytechnic University

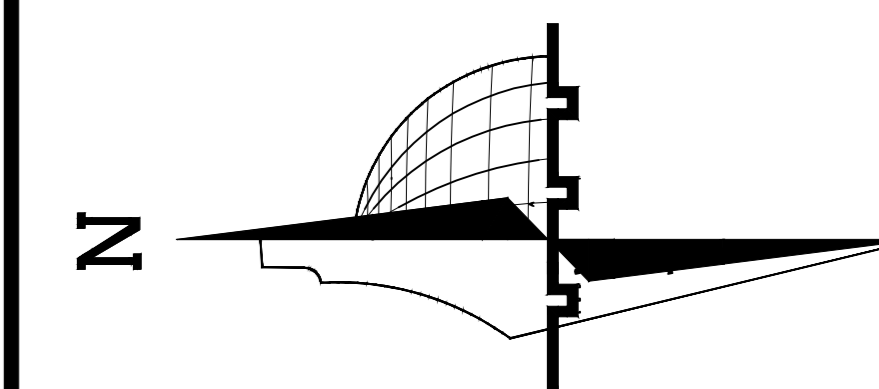
College of Engineering

Civil Engineering Department

Civil Engineering

Graduation Project

Al-Noor Hotel



**Legend :**

- Stone
- R.Concrete
- Concrete
- Hollow Block
- isolating materials
- Gravel
- Wood
- HEXAGONAL TILES
- BAKLAVA TILES
- GRASS

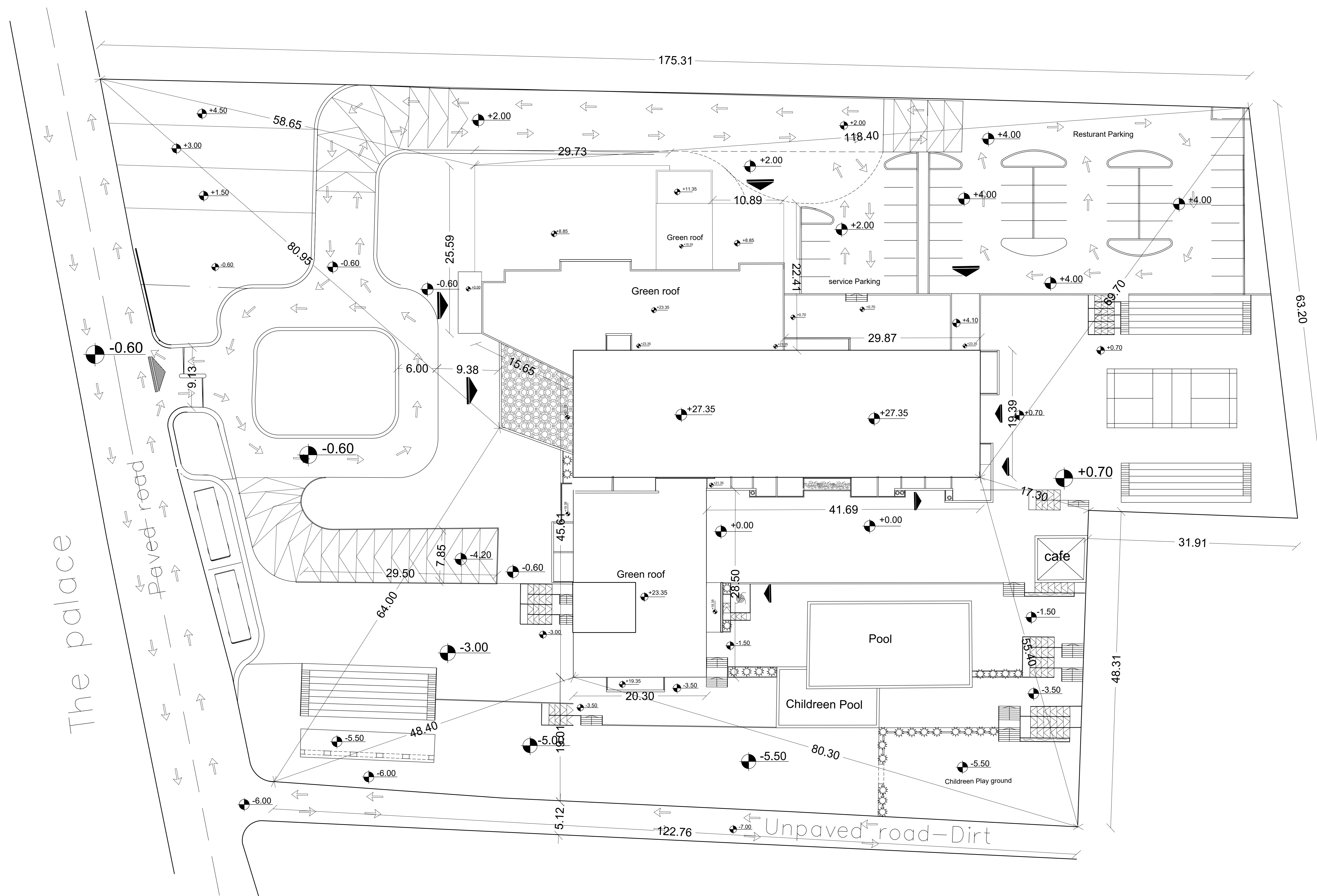
DRAWING TITLE :

Site Plan

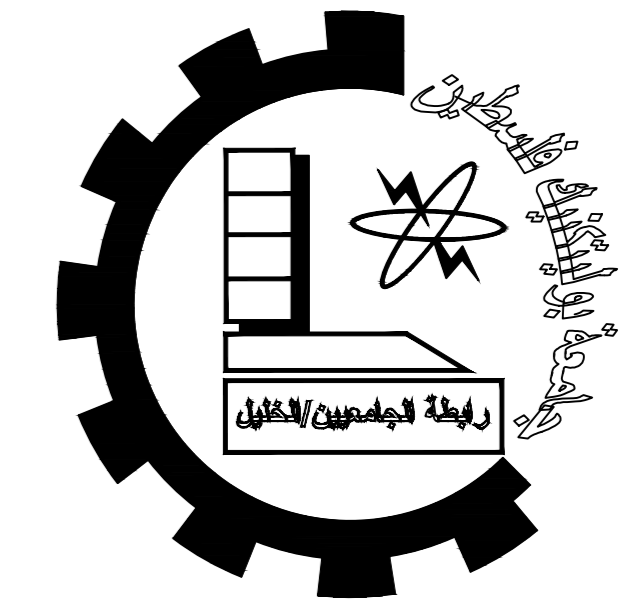
Done by :

Jana Noor Mesk

SCALE	No. of DRAW	DATE
1/100	A00	21/01/2024







Palestine Polytechnic University

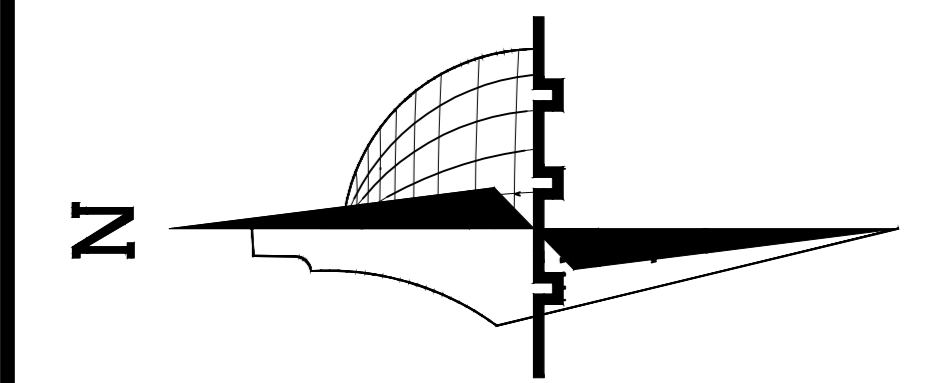
College of Engineering

Civil Engineering Department

Civil Engineering

Graduation Project

Al-Noor Hotel



**Legend :**

- |  |                      |  |                 |
|--|----------------------|--|-----------------|
|  | Stone                |  | Gravel          |
|  | R. Concrete          |  | Wood            |
|  | Concrete             |  | HEXAGONAL TILES |
|  | Hollow Block         |  | BAKLAVA TILES   |
|  | isolating materiales |  | GRASS           |

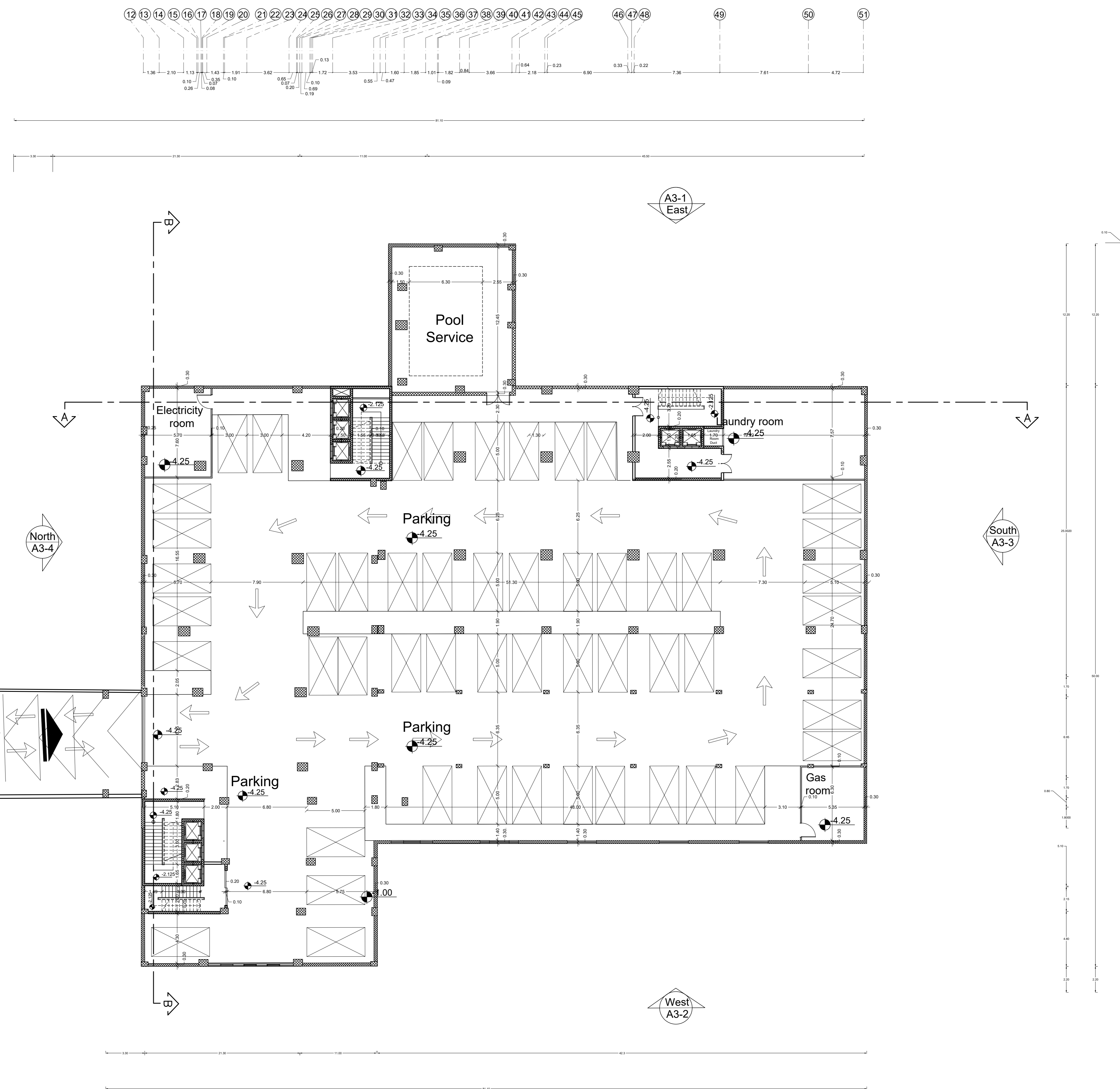
DRAWING TITLE :

Basement Floor Plan

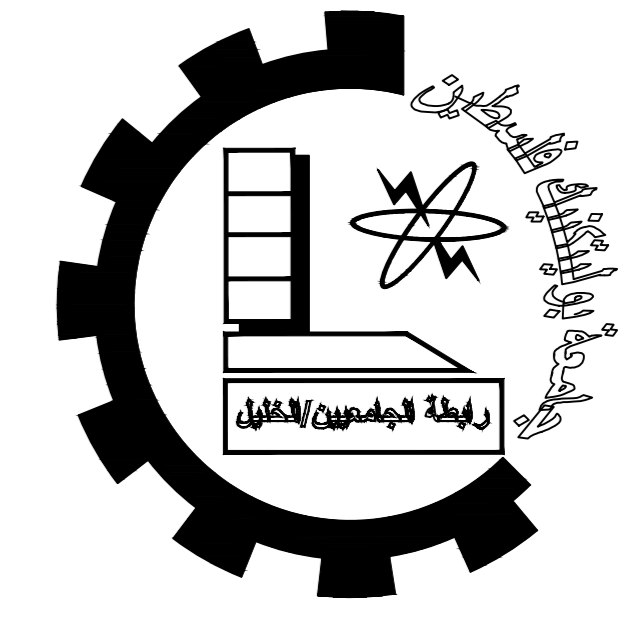
Done by :

Jana Noor Mesk

SCALE	No. of DRAW	DATE
1/100	A01	21/01/2024







Palestine Polytechnic University

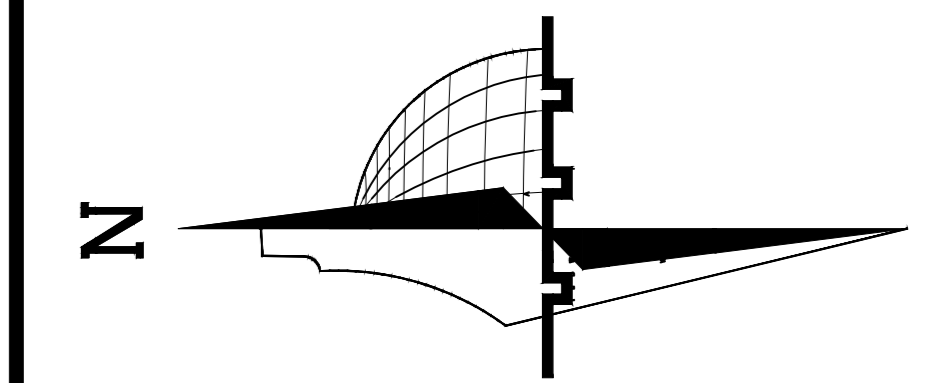
College of Engineering

Civil Engineering Department

Civil Engineering

Graduation Project

Al-Noor Hotel



**Legend :**

- |  |                      |  |                 |
|--|----------------------|--|-----------------|
|  | Stone                |  | Gravel          |
|  | R.Concrete           |  | Wood            |
|  | Concrete             |  | HEXAGONAL TILES |
|  | Hollow Block         |  | BAKLAVA TILES   |
|  | isolating materiales |  | GRASS           |

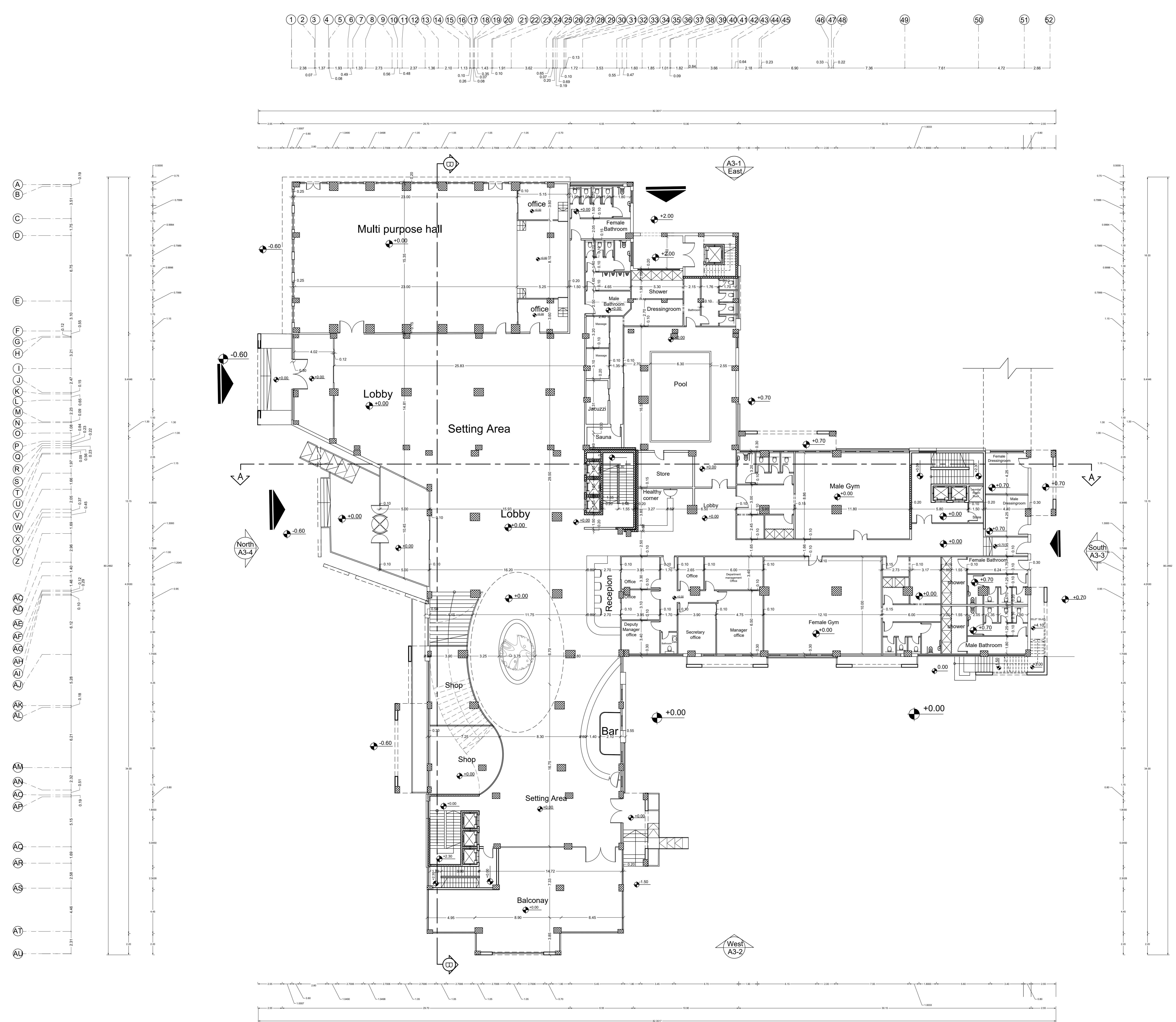
DRAWING TITLE :

Ground floor plan

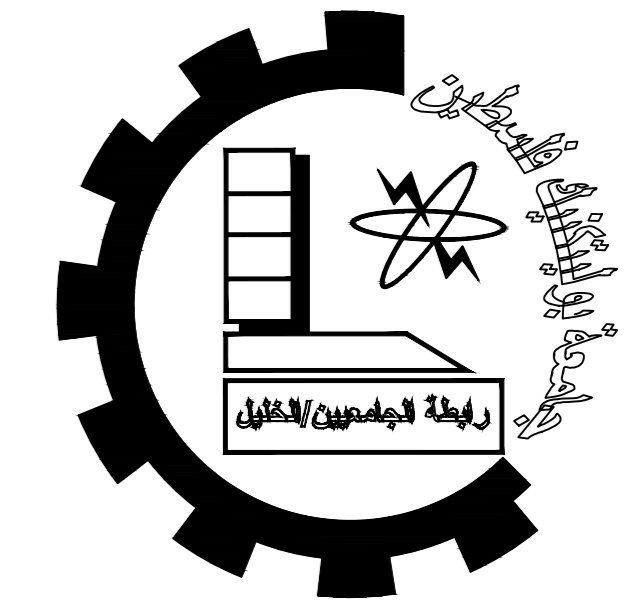
Done by :

Jana Noor Mesk

SCALE	No. of DRAW	DATE
1/100	A02	21/01/2024







Palestine Polytechnic University

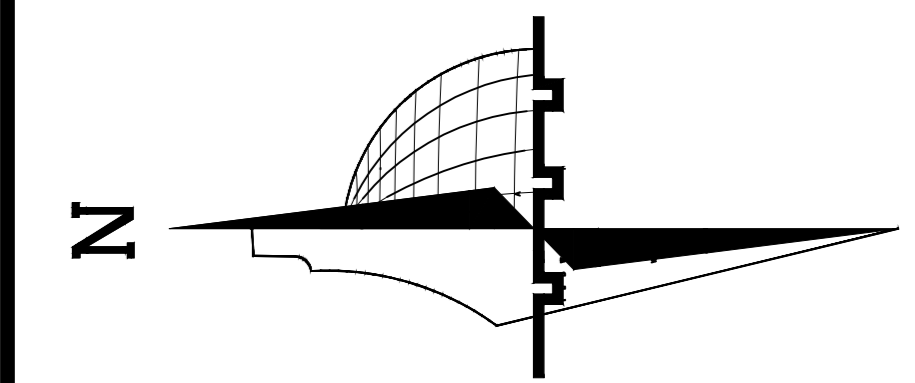
College of Engineering

Civil Engineering Department

Civil Engineering

Graduation Project

Al-Noor Hotel



**Legend :**

- |  |                      |  |                 |
|--|----------------------|--|-----------------|
|  | Stone                |  | Gravel          |
|  | R.Concrete           |  | Wood            |
|  | Concrete             |  | HEXAGONAL TILES |
|  | Hollow Block         |  | BAKLAVA TILES   |
|  | isolating materiales |  | GRASS           |

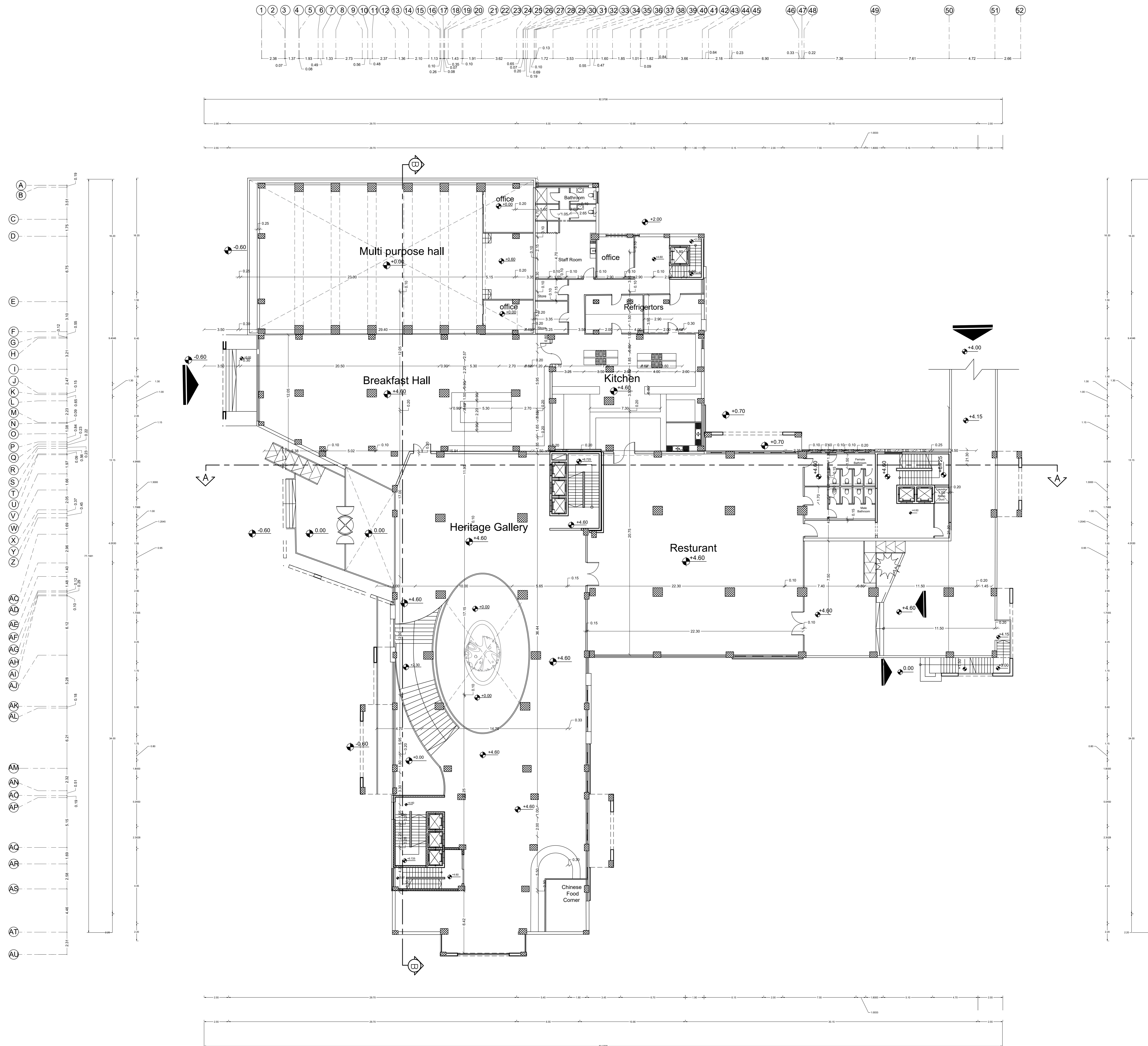
DRAWING TITLE :

First Floor Plan

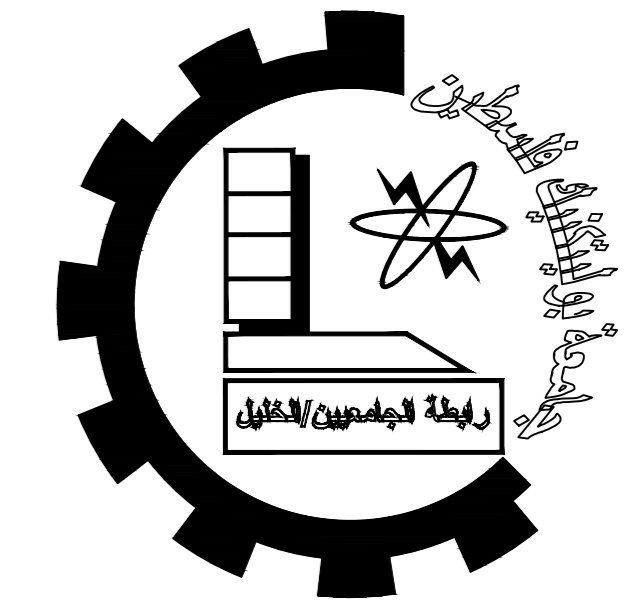
Done by :

Jana Noor Mesk

SCALE	No. of DRAW	DATE
1/100	A03	21/01/2024







Palestine Polytechnic University

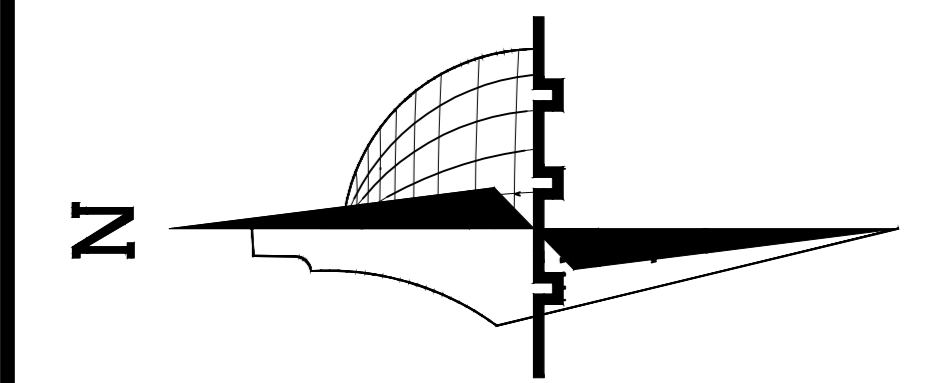
College of Engineering

Civil Engineering Department

Civil Engineering

Graduation Project

Al-Noor Hotel



**Legend :**

- |  |                      |  |                 |
|--|----------------------|--|-----------------|
|  | Stone                |  | Gravel          |
|  | R.Concrete           |  | Wood            |
|  | Concrete             |  | HEXAGONAL TILES |
|  | Hollow Block         |  | BAKLAVA TILES   |
|  | isolating materiales |  | GRASS           |

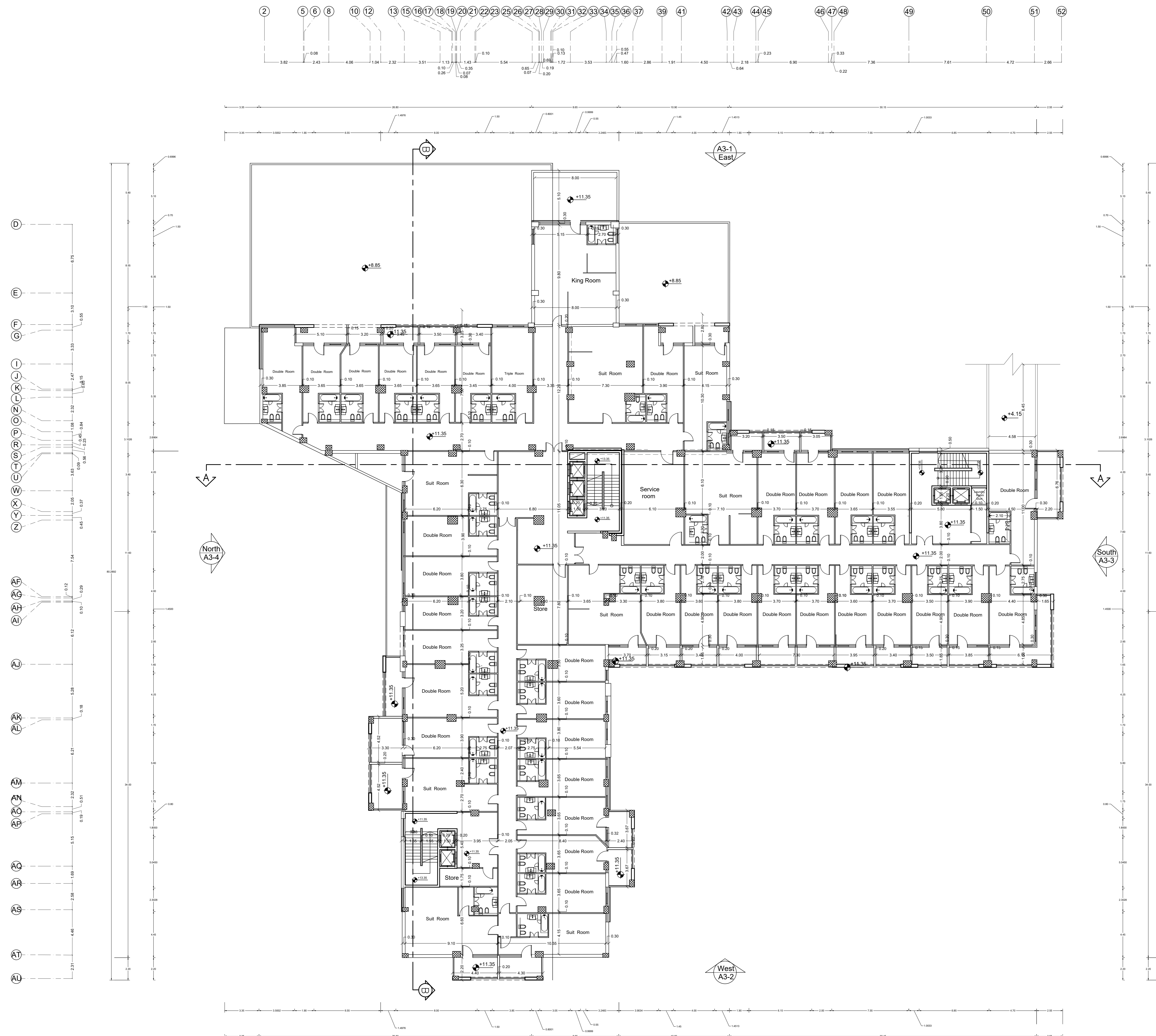
DRAWING TITLE :

Second Floor Plan

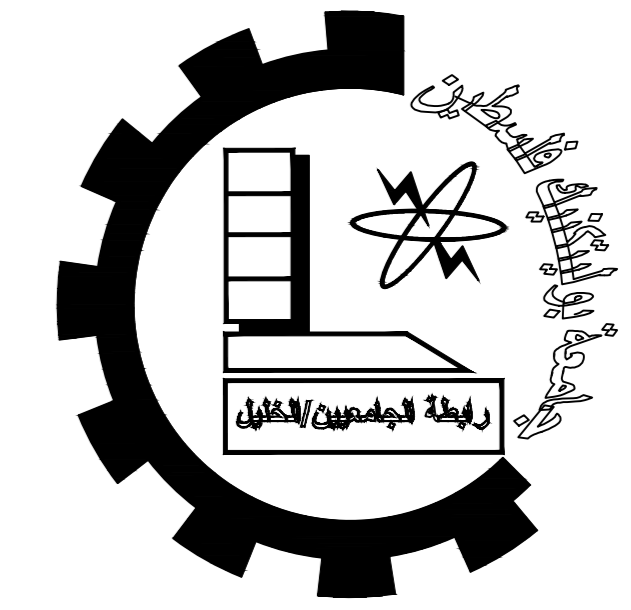
Done by :

Jana Noor Mesk

SCALE	No. of DRAW	DATE
1/100	A04	21/01/2024







Palestine Polytechnic University

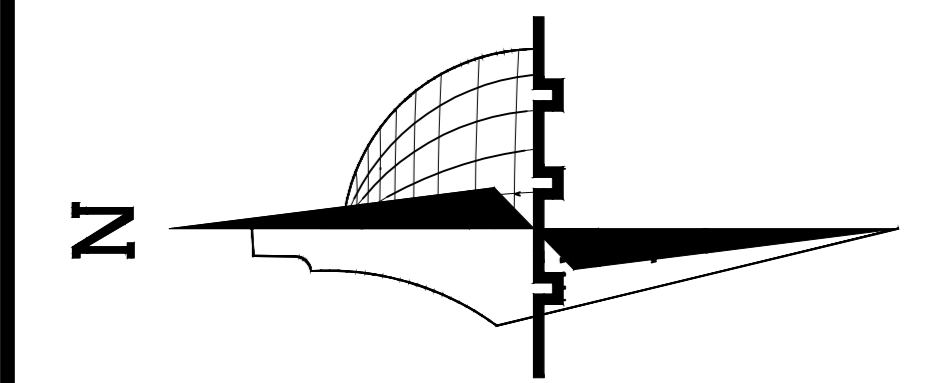
College of Engineering

Civil Engineering Department

Civil Engineering

Graduation Project

Al-Noor Hotel



**Legend :**

- |  |                      |  |                 |
|--|----------------------|--|-----------------|
|  | Stone                |  | Gravel          |
|  | R.Concrete           |  | Wood            |
|  | Concrete             |  | HEXAGONAL TILES |
|  | Hollow Block         |  | BAKLAVA TILES   |
|  | isolating materiales |  | GRASS           |

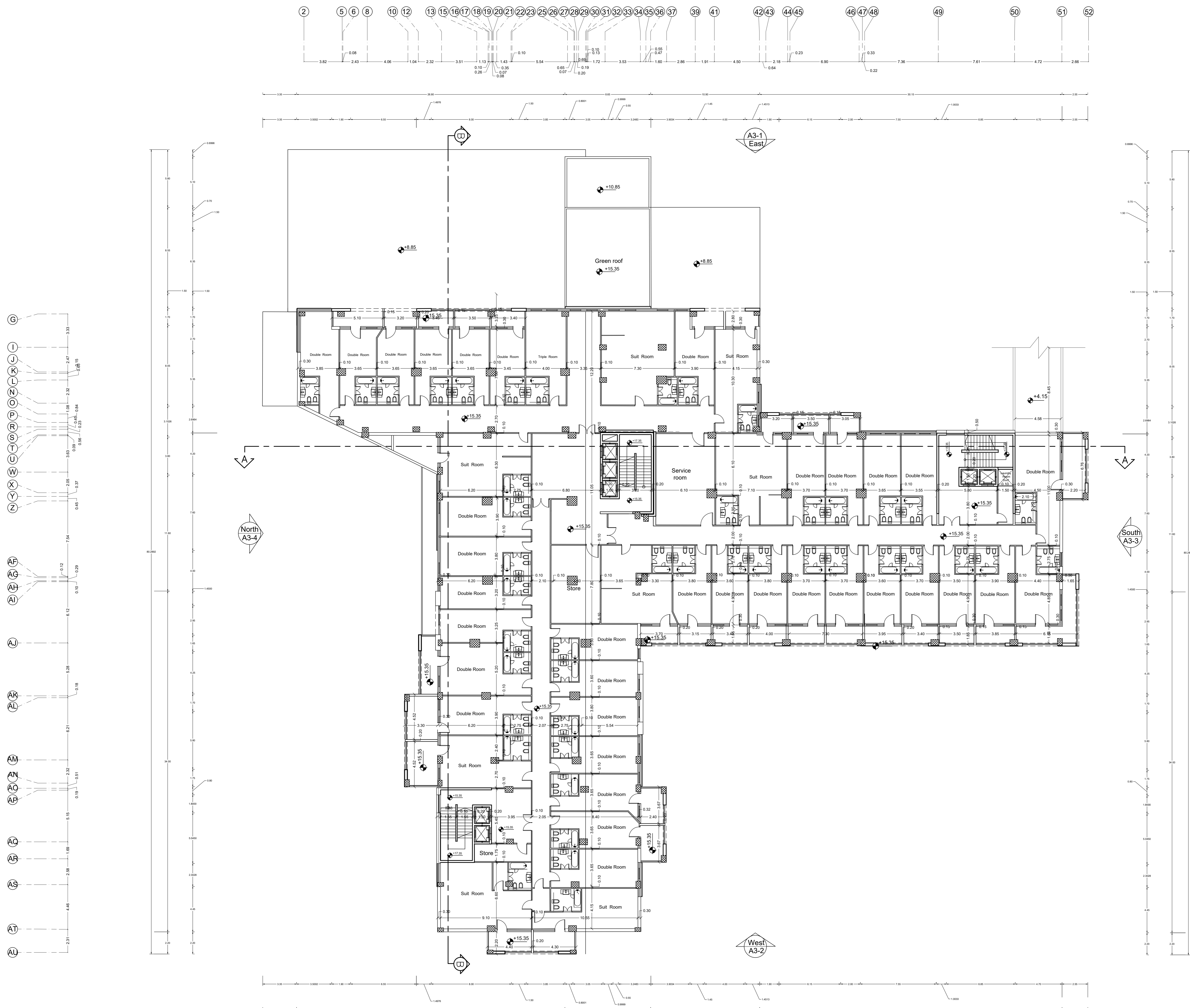
DRAWING TITLE :

Third Floor Plan

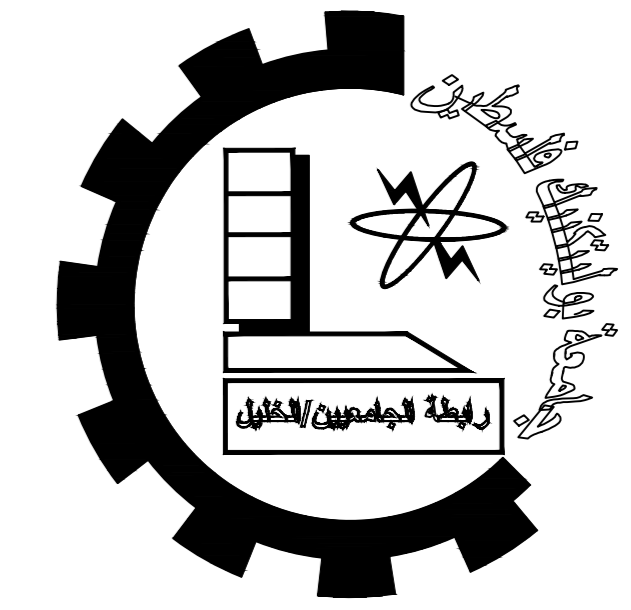
Done by :

Jana Noor Mesk

SCALE	No. of DRAW	DATE
1/100	A05	21/01/2024







Palestine Polytechnic University

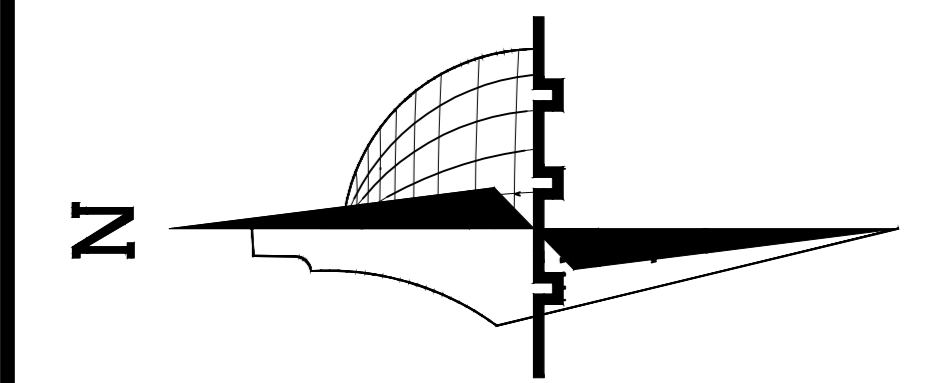
College of Engineering

Civil Engineering Department

Civil Engineering

Graduation Project

Al-Noor Hotel



**Legend :**

- |  |                      |  |                 |
|--|----------------------|--|-----------------|
|  | Stone                |  | Gravel          |
|  | R.Concrete           |  | Wood            |
|  | Concrete             |  | HEXAGONAL TILES |
|  | Hollow Block         |  | BAKLAVA TILES   |
|  | isolating materiales |  | GRASS           |

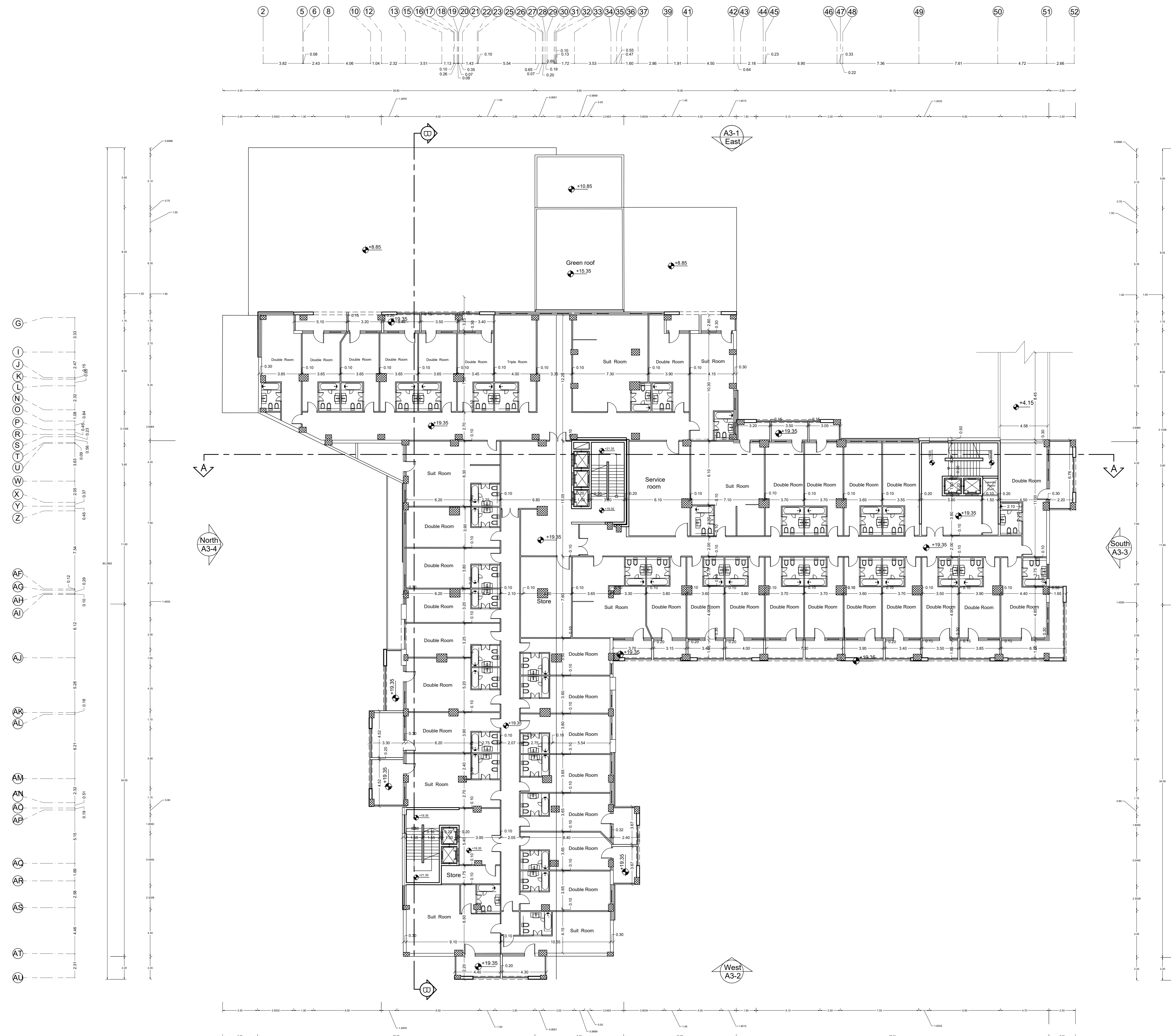
DRAWING TITLE :

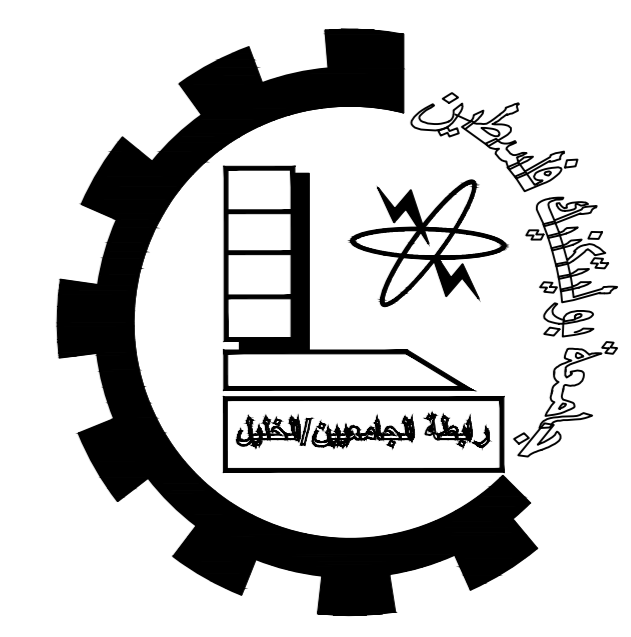
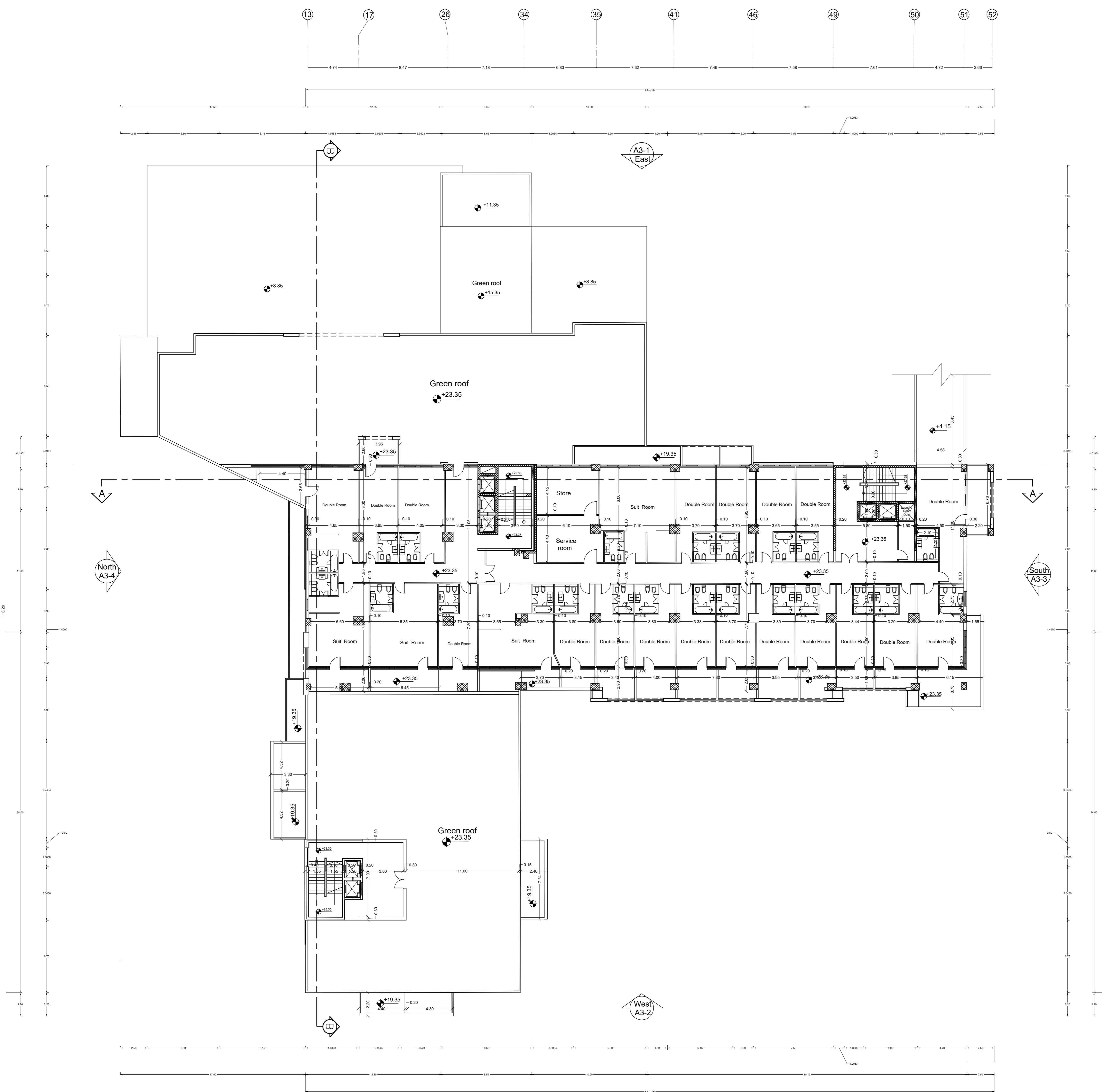
Forth Floor Plan

Done by :

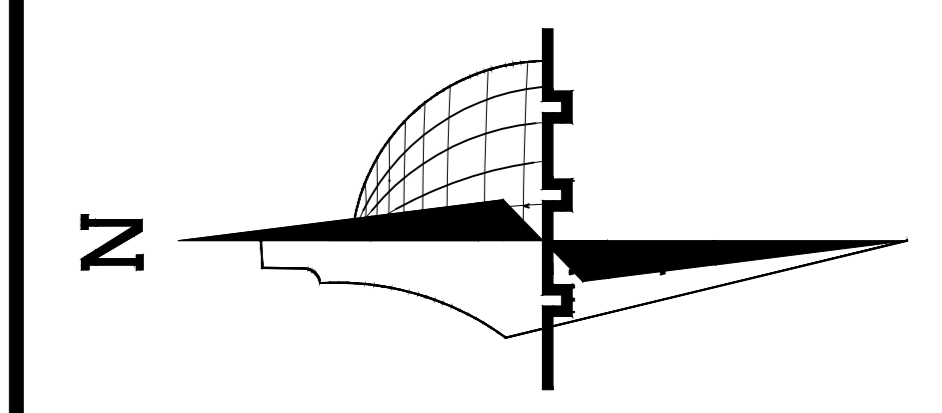
Jana Noor Mesk

SCALE	No. of DRAW	DATE
1/100	A06	21/01/2024





Palestine Polytechnic University  
 College of Engineering  
 Civil Engineering Department  
 Civil Engineering  
 Graduation Project  
 Al-Noor Hotel



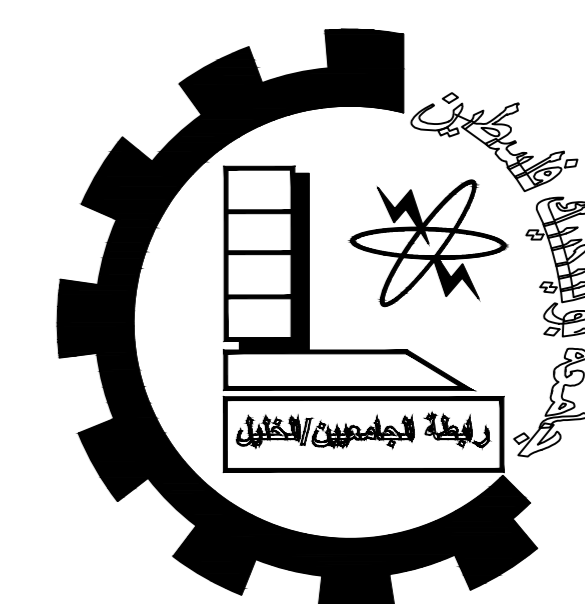
- Legend :**
- Stone
  - Gravel
  - R.Concrete
  - Wood
  - Concrete
  - HEXAGONAL TILES
  - Hollow Block
  - BAKLAVA TILES
  - isolating materiales
  - GRASS

DRAWING TITLE :  
 Fifth Floor Plan

Done by :  
 Jana Noor Mesk

SCALE	No. of DRAW	DATE
1/100	A07	21/01/2024





Palestine Polytechnic University

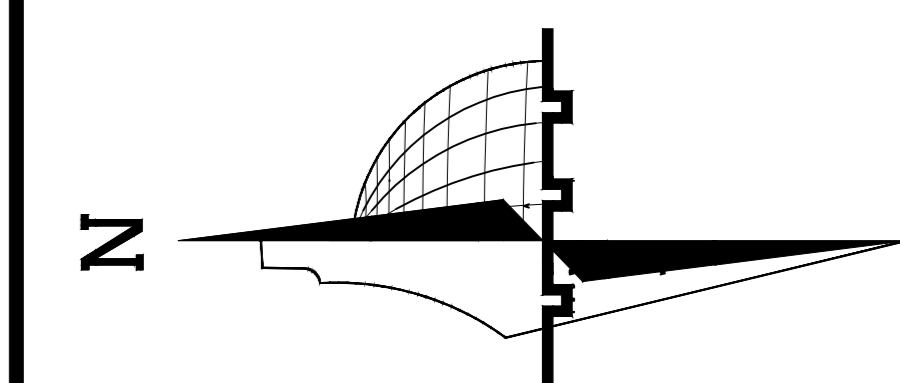
College of Engineering

Civil Engineering Department

Civil Engineering

Graduation Project

Al-Noor Hotel



**Legend :**

- |                      |                 |
|----------------------|-----------------|
| Stone                | Gravel          |
| R.Concrete           | Wood            |
| Concrete             | HEXAGONAL TILES |
| Hollow Block         | BAKLAVA TILES   |
| isolating materiales | GRASS           |

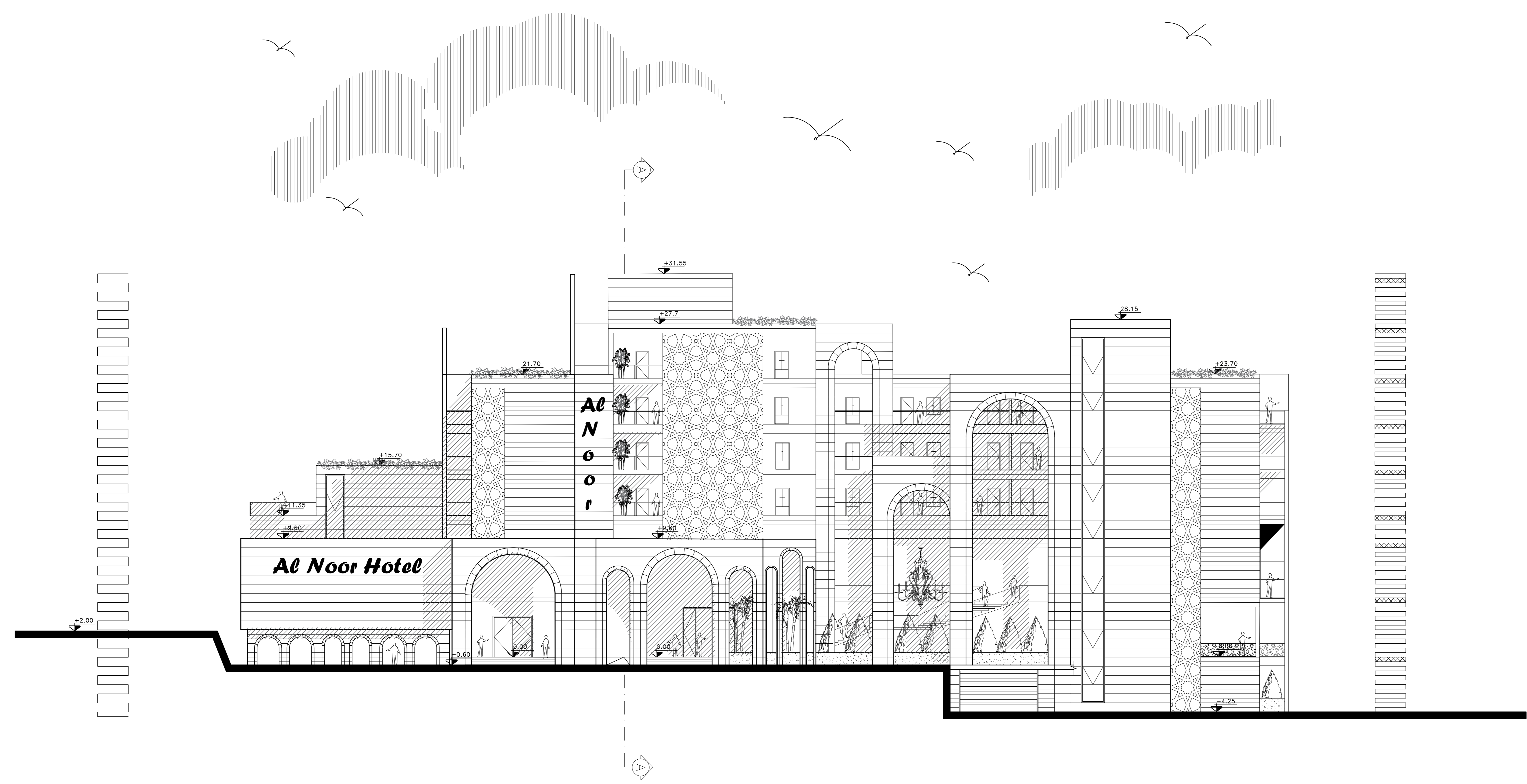
DRAWING TITLE :

North elevation

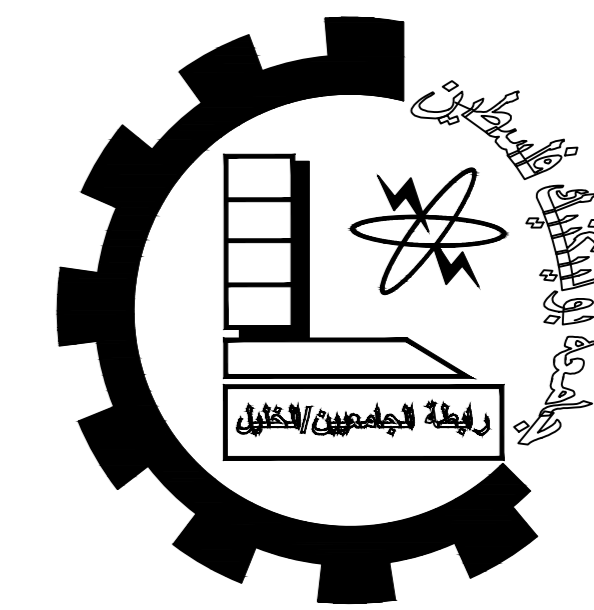
Done by :

Jana Noor Mesk

SCALE	No. of DRAW	DATE
1/100	A08	21/01/2024







Palestine Polytechnic University

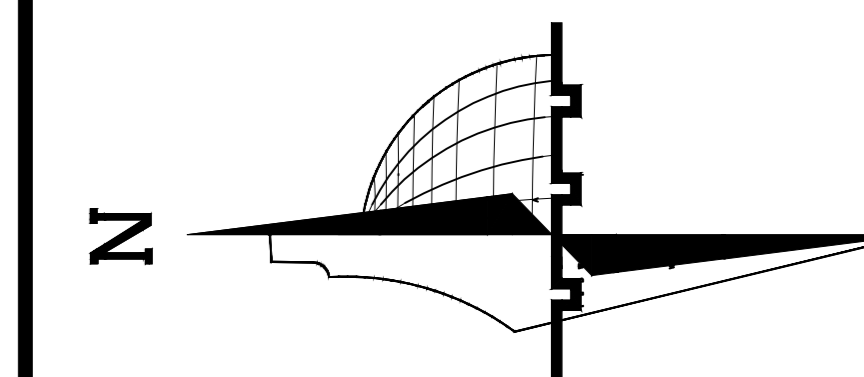
College of Engineering

Civil Engineering Department

Civil Engineering

Graduation Project

Al-Noor Hotel



**Legend :**

- |                      |                 |
|----------------------|-----------------|
| Stone                | Gravel          |
| R.Concrete           | Wood            |
| Concrete             | HEXAGONAL TILES |
| Hollow Block         | BAKLAVA TILES   |
| isolating materiales | GRASS           |

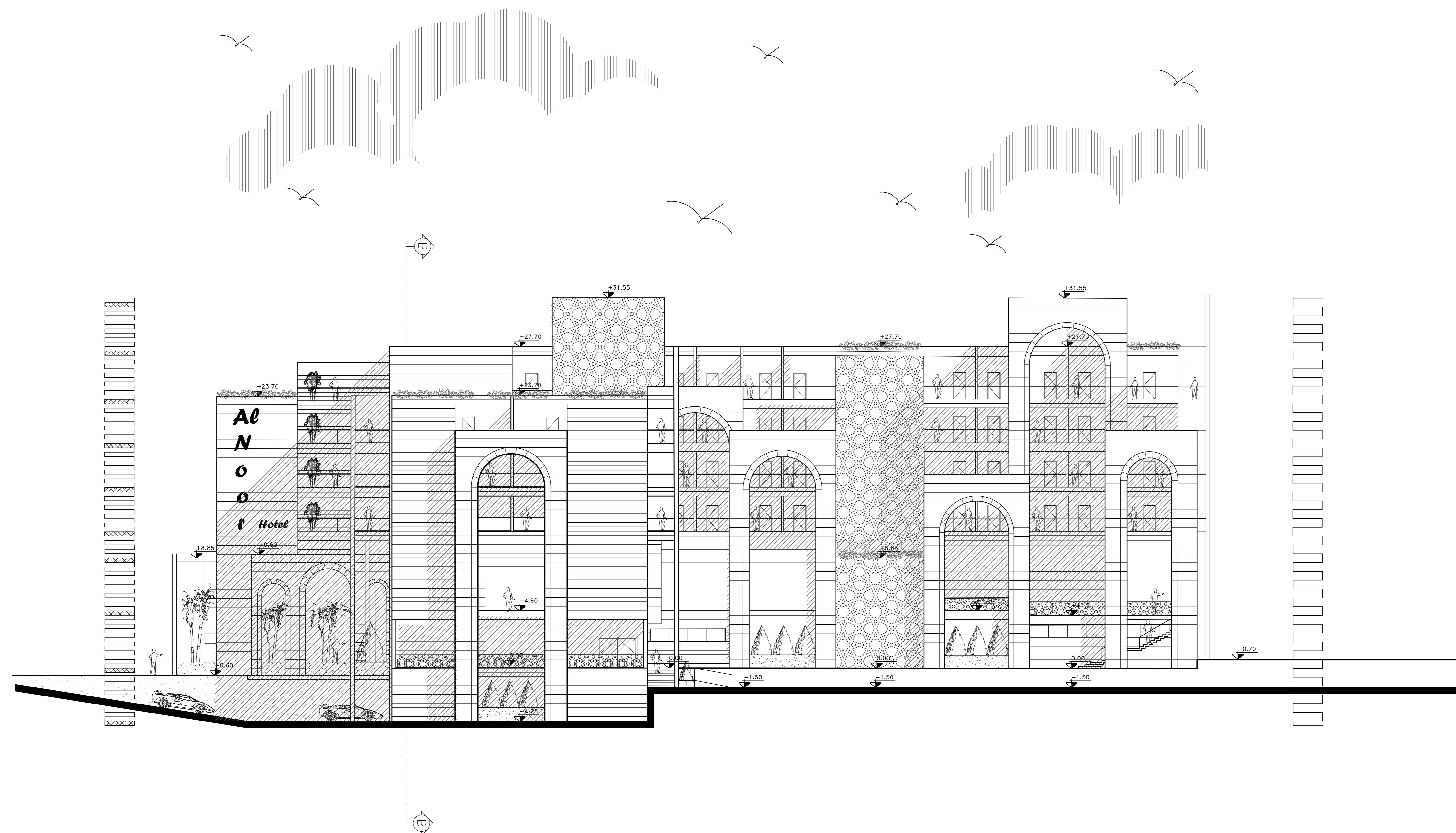
DRAWING TITLE :

West elevation

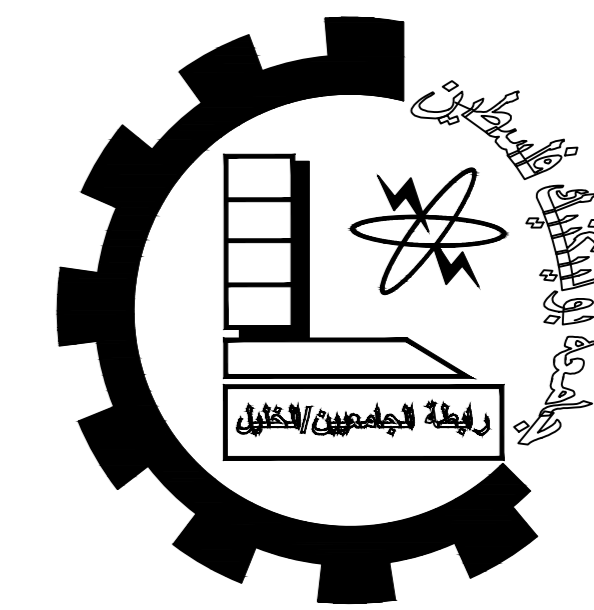
Done by :

Jana Noor Mesk

SCALE	No. of DRAW	DATE
1/100	A09	21/01/2024







Palestine Polytechnic University

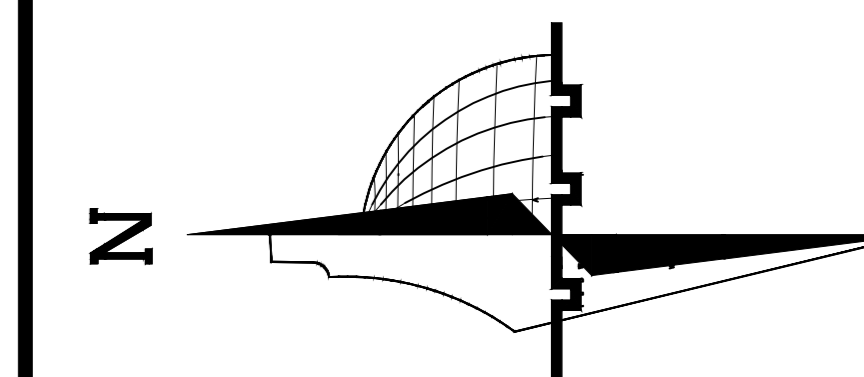
College of Engineering

Civil Engineering Department

Civil Engineering

Graduation Project

Al-Noor Hotel



**Legend :**

- |                      |                 |
|----------------------|-----------------|
| Stone                | Gravel          |
| R.Concrete           | Wood            |
| Concrete             | HEXAGONAL TILES |
| Hollow Block         | BAKLAVA TILES   |
| isolating materiales | GRASS           |

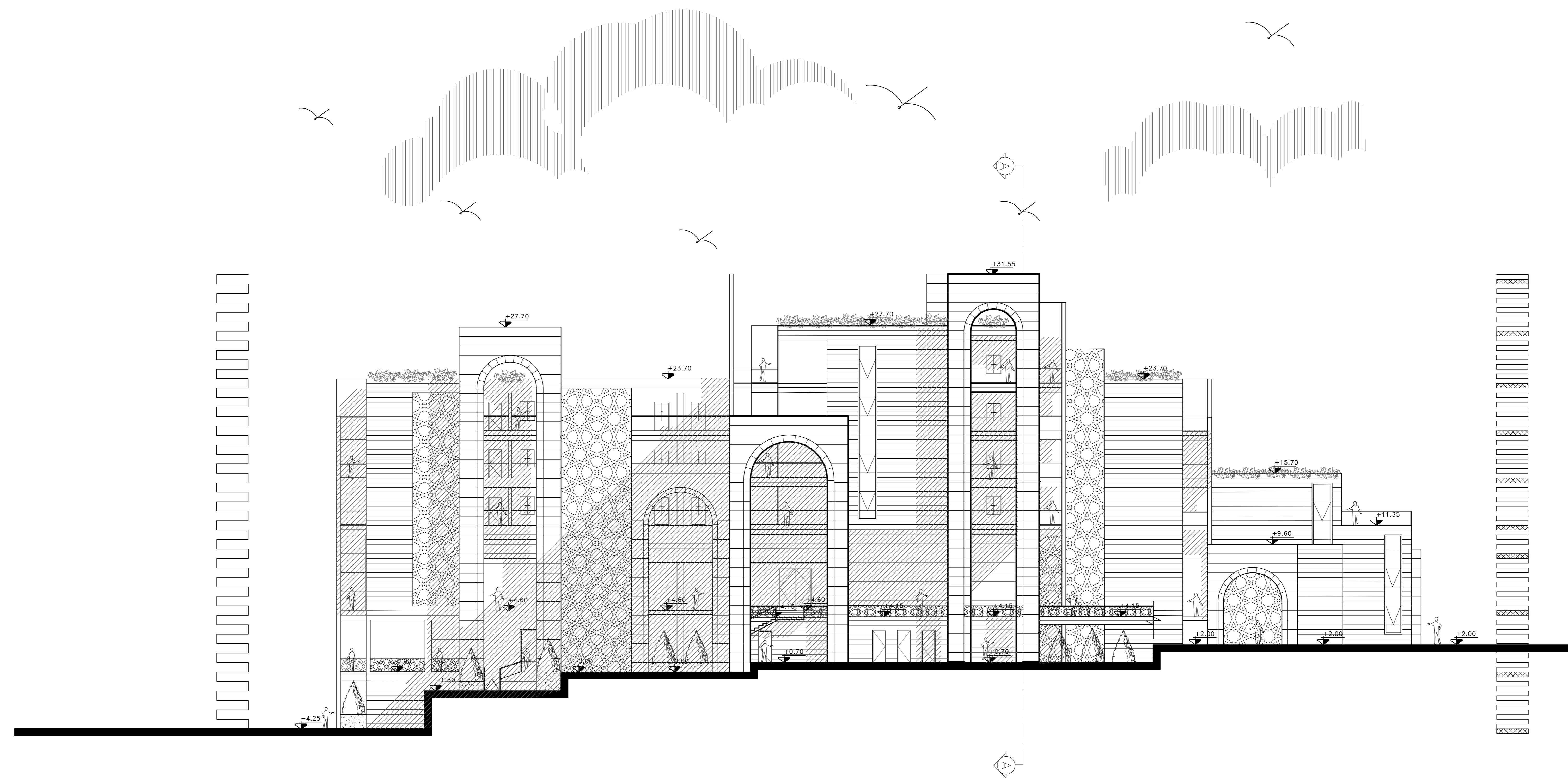
DRAWING TITLE :

South elevation

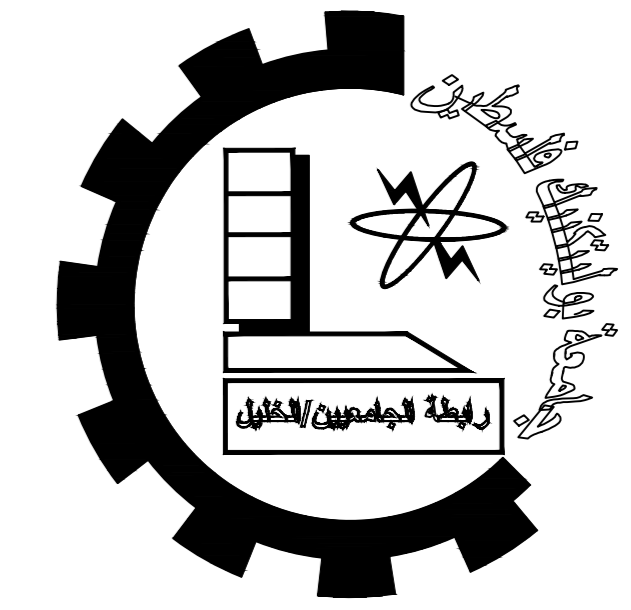
Done by :

Jana Noor Mesk

SCALE	No. of DRAW	DATE
1/100	A10	21/01/2024







*Palestine Polytechnic University*

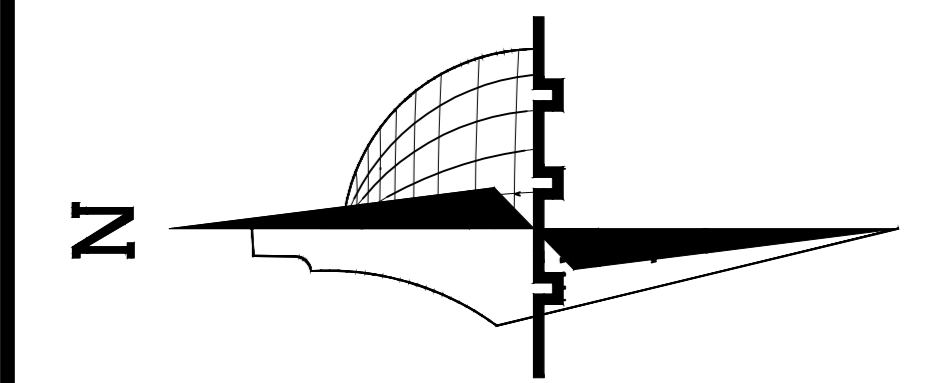
*College of Engineering*

*Civil Engineering Department*

*Civil Engineering*

*Graduation Project*

*Al-Noor Hotel*



**Legend :**

- |                      |                 |
|----------------------|-----------------|
| Stone                | Gravel          |
| R.Concrete           | Wood            |
| Concrete             | HEXAGONAL TILES |
| Hollow Block         | BAKLAVA TILES   |
| isolating materiales | GRASS           |

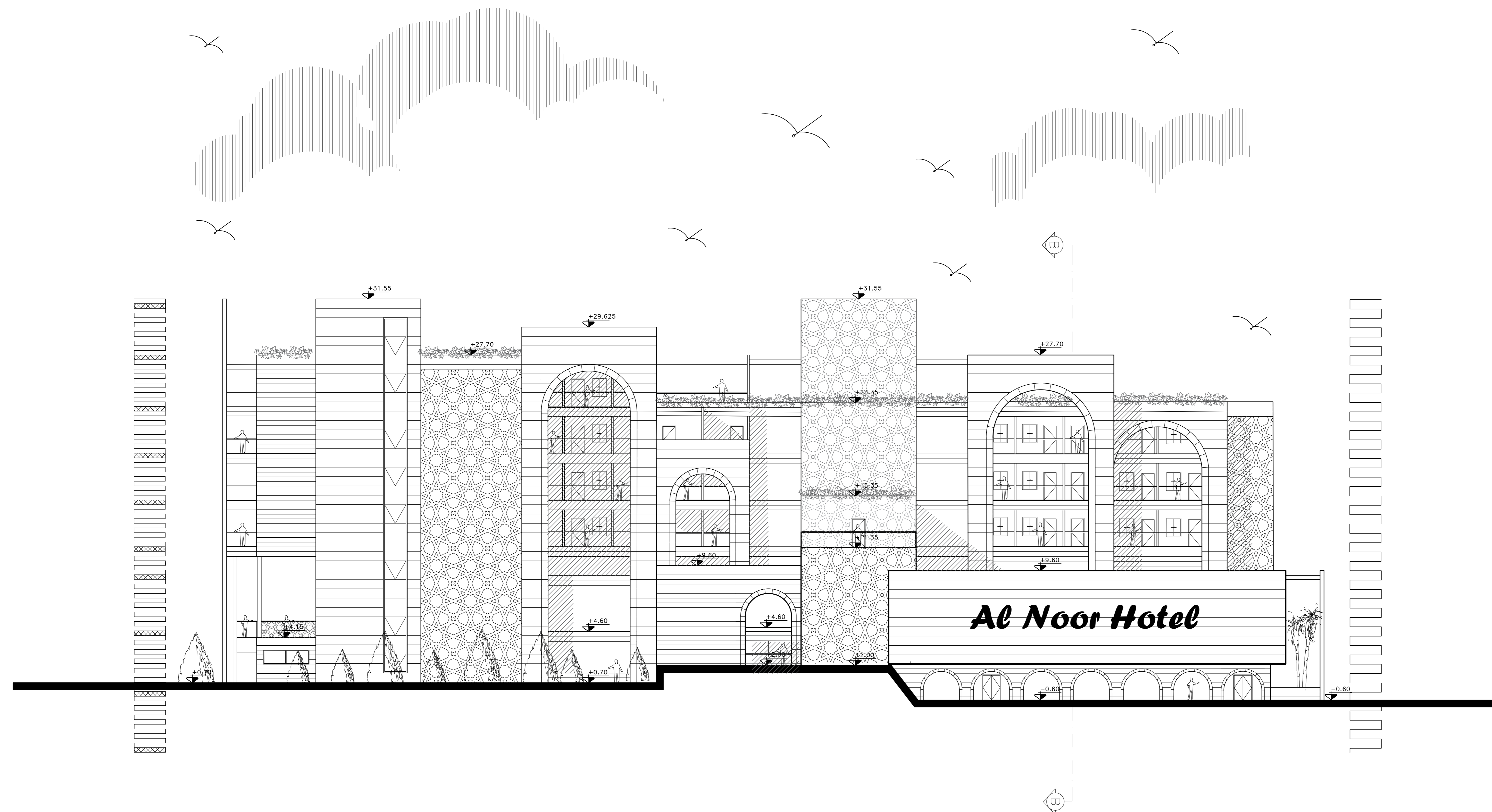
DRAWING TITLE :

East elevation

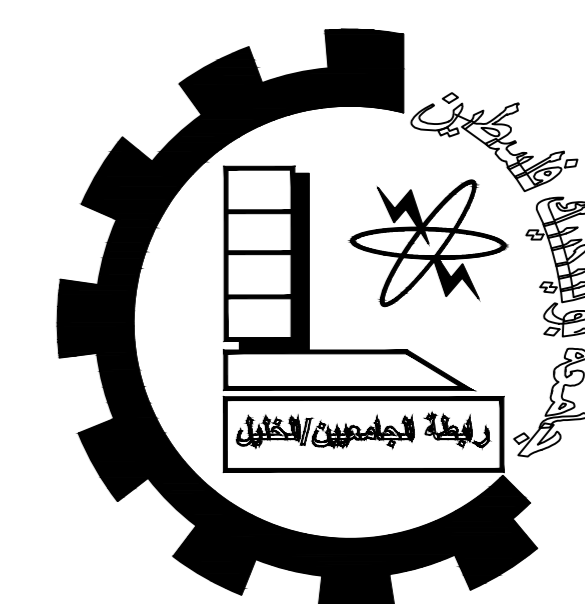
Done by :

*Jana Noor Mesk*

SCALE	No. of DRAW	DATE
1/100	A11	21/01/2024







Palestine Polytechnic University

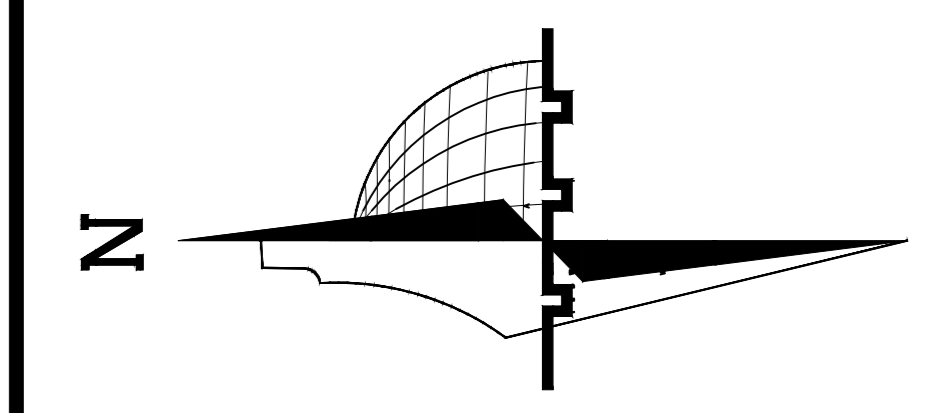
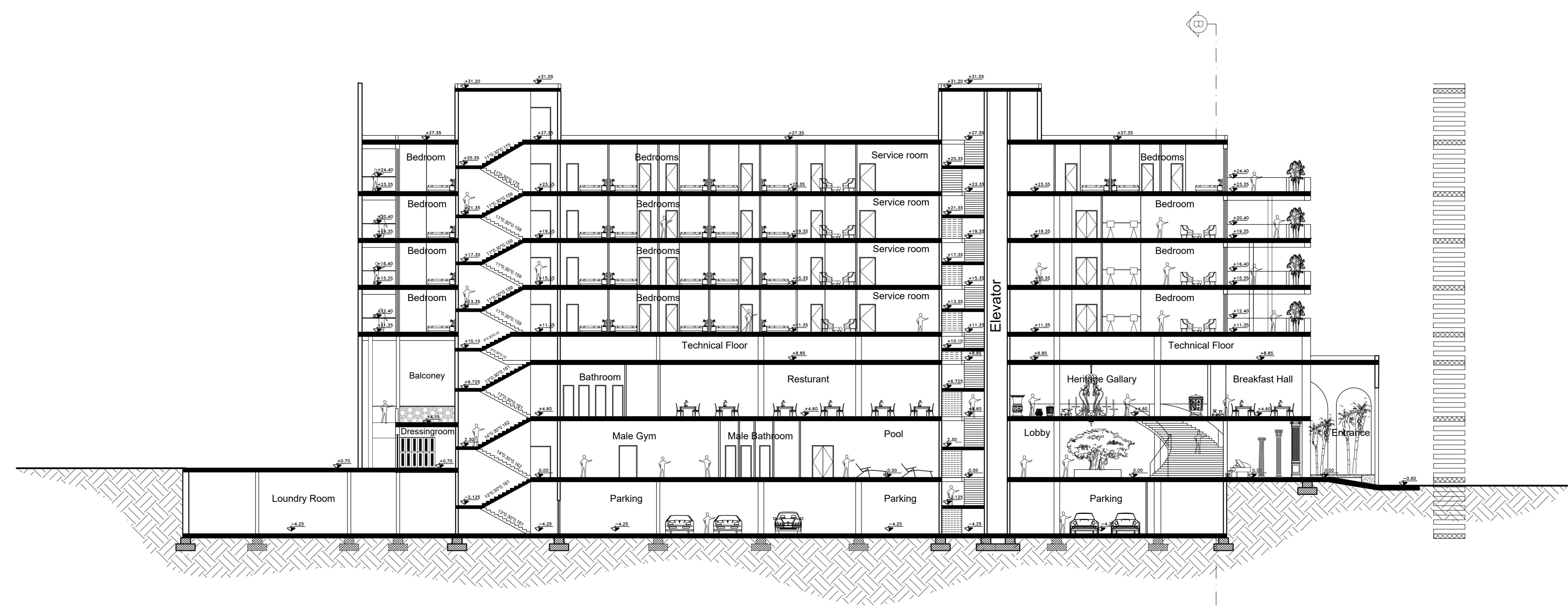
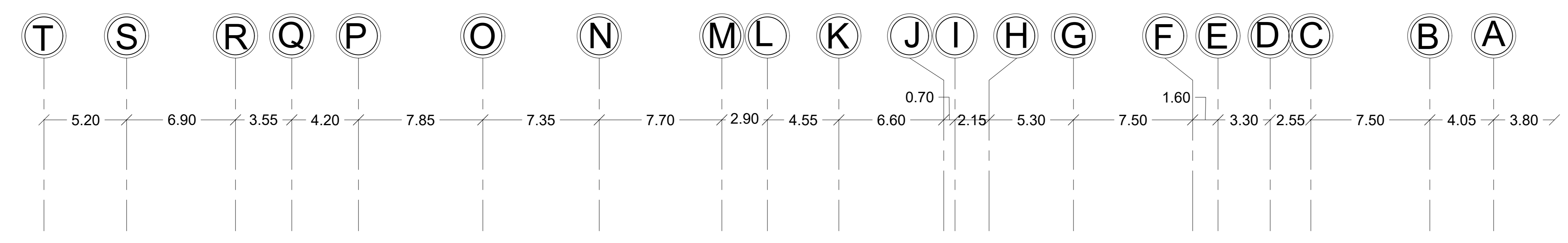
College of Engineering

Civil Engineering Department

Civil Engineering

Graduation Project

Al-Noor Hotel



**Legend :**

Stone	Gravel
R.Concrete	Wood
Concrete	HEXAGONAL TILES
Hollow Block	BAKLAVA TILES
isolating materiales	GRASS

DRAWING TITLE :

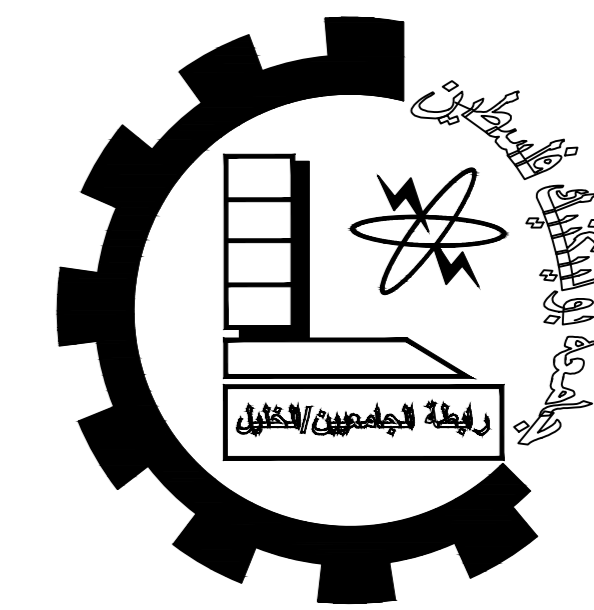
Section A-A

Done by :

Jana Noor Mesk

SCALE	No. of DRAW	DATE
1/100	A12	21/01/2024





Palestine Polytechnic University

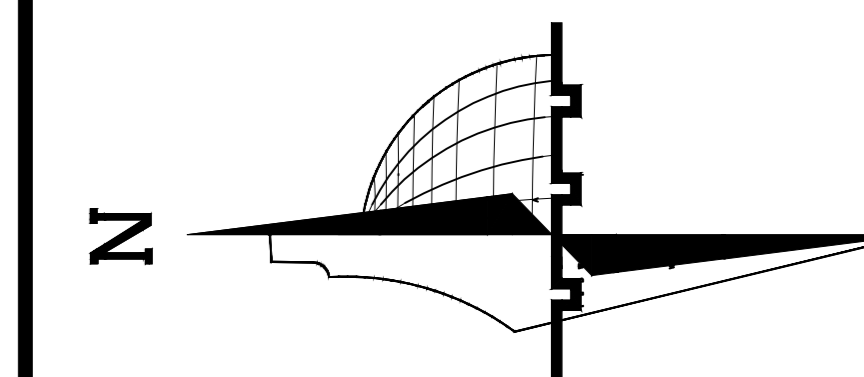
College of Engineering

Civil Engineering Department

Civil Engineering

Graduation Project

Al-Noor Hotel



**Legend :**

- |  |                      |  |                 |
|--|----------------------|--|-----------------|
|  | Stone                |  | Gravel          |
|  | R.Concrete           |  | Wood            |
|  | Concrete             |  | HEXAGONAL TILES |
|  | Hollow Block         |  | BAKLAVA TILES   |
|  | isolating materiales |  | GRASS           |

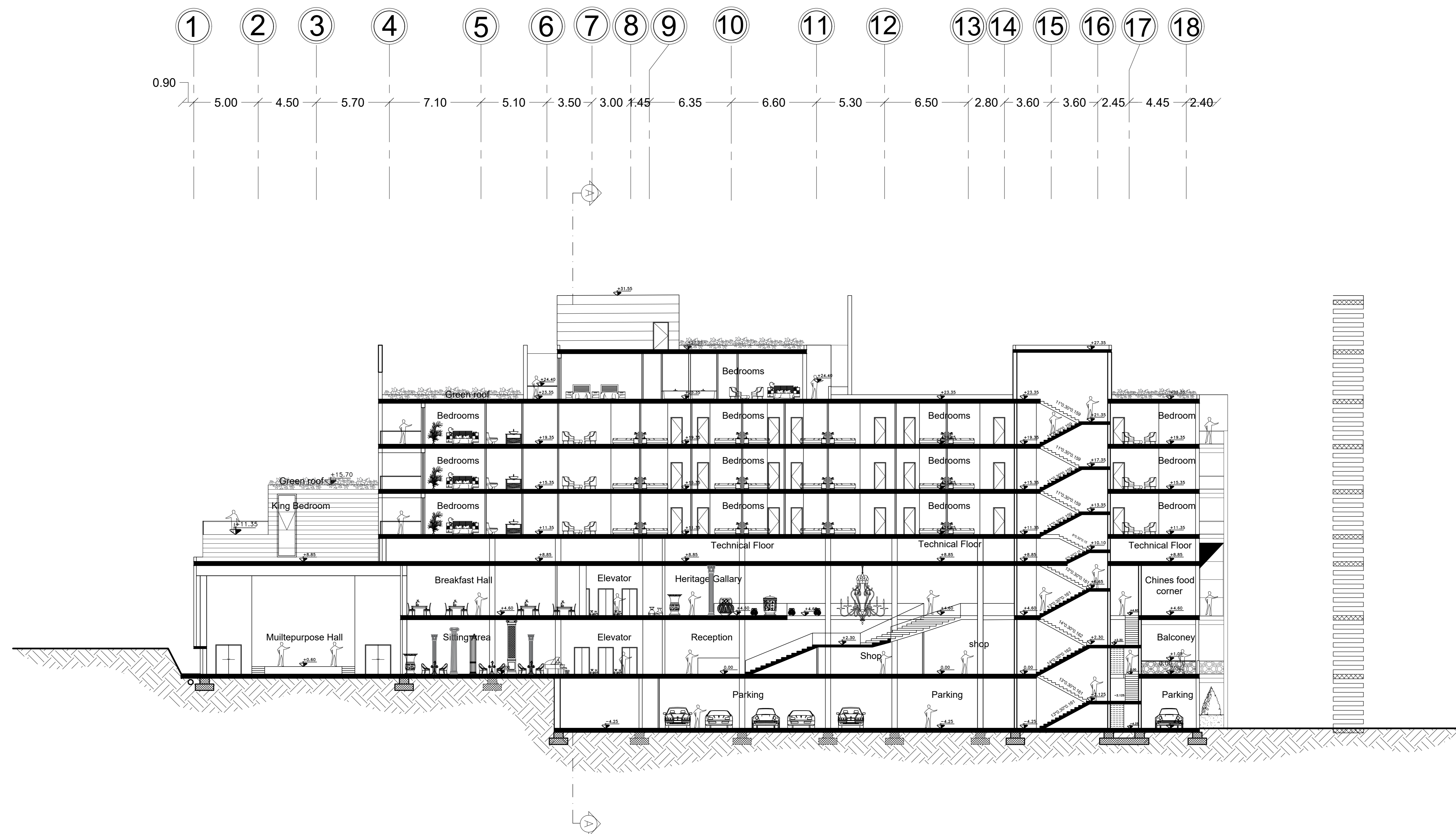
DRAWING TITLE :

Section B-B

Done by :

Jana Noor Mesk

SCALE	No. of DRAW	DATE
1/100	A13	21/01/2024





## Structural Design Criteria & Specifications & Construction Requirements

### 1. CODE OF PRACTICE

#### GENERAL NOTES

Detailing and workmanship shall be according to ACI 318-11, and the technical specifications provided.

Approved equivalent international codes shall be accepted.

Design for concrete done according to ACI 318-11

Uniform Building Code (UBC 97) For the definition of lateral Seismic Loading.

### 2. DIMENSIONS

a) GRAVITY LOADS ESTIMATION ARE IN ACCORDANCE OF JORDAN

b) UNLESS OTHERWISE INDICATED ON DRAWINGS ELEVATIONS ARE IN METERS,

DISTANCES AND DIMENSIONS IN m., REINFORCEMENT BAR SIZES IN mm.

### 3. DRAWINGS

1- Structural drawings shall be read in conjunction with Architectural.

2- Sleeves and openings smaller than 200x200mm are not shown on the Structural drawings.

For required openings refer to Architectural, Mechanical and Electrical drawings.

3- Contractor shall prepare working drawings and bar bending schedules for reinforcement in a format agreed with the engineer.

4- Contractor shall supply detailed drawings and calculations for all support and temporary works and propping systems as applicable and all other relevant information subject to the Engineer's approval prior to commencement of construction.

### 4. REINFORCEMENT

1- Reinforcement shall be deformed high strength steel bars of characteristic strength of 420 Mpa complying with ASTM standards or equivalent for diameters 10mm & above.

2- Reinforcement shall be deformed steel bars of characteristic strength of 420 MPa complying with ASTM standards Or equivalent for diameters 8mm & above.

3- Contractor to provide bar bending schedule.

4- Where bar length is not specified, longest practicable bar length shall be employed with staggered lap splices. Lap length shall be 30 times bar diameter.

### 5. REINFORCED CONCRETE

The following two types of reinforced concrete shall be employed:

B300 - Grade 300 for all reinforced concrete members except architectural fair faced concrete facades. Characteristic Strength as defined by a 150 mm cube at age of 28 days shall be:

B300 -  $30 \times 0.8 = 24$  MPa (Because it is rectangular section)

Minimum cement content, per cubic meter, shall be:

B300 - 300 kilograms

### 6. PLAIN CONCRETE

The following type of plain concrete shall be employed:

B 200 - Grade 200 concrete of characteristic cubestrength equal to 16 MPa, minimum cement content of 200 kilograms per cubic metre, and a maximum water:cement ratio of 0.50 to be used for blinding concrete under foundations.

### 7. AGGREGATES

Maximum aggregate size shall be 25 mm.

### 8. FOUNDATIONS

- Contractor shall adhere strictly to the geotechnical report for this project. He shall be responsible to determine strata characteristics at the appropriate levels:
- Allowable Bearing capacity = 400 KN/m<sup>2</sup>.
- Foundations are designed for three floors.

### 9. BACK Fill

All back fill material shall conform to specifications and shall be properly tested. No back filling is permitted around.

#### GENERAL RULES

### 1. NOTATION

T.B=TOP BARS

B.B=BOTTOM BARS

S= SPACING.

∅ or T = DIAMETER FOR STEEL BARS.

@ or / = INDICATES THAT THE FOLLOWING NUMBER IS THE SPACING BETWEEN BARS.

### 2. COVER

Clear concrete cover to reinforcement shall be :

20mm for ribs 40mm for beams 40mm for columns

40mm for Beams, slabs and joists.

25mm for Post-tension slabs.

Reinforcing bars of girder shall be anchored over the center line of column, And reinforcing bars of sub-beam shall be anchored over the center line of girder.

### 3. Min. Bar Spacing



Unless otherwise shown below, sub-beam and cantilever beam shall be conformed

Bar spacing "a" shall be not less than the greatest in the following three cases:

- 1) 25 mm
- 2) 1.5 d
- 3) 1.25 times the max. size of coarse aggregate.

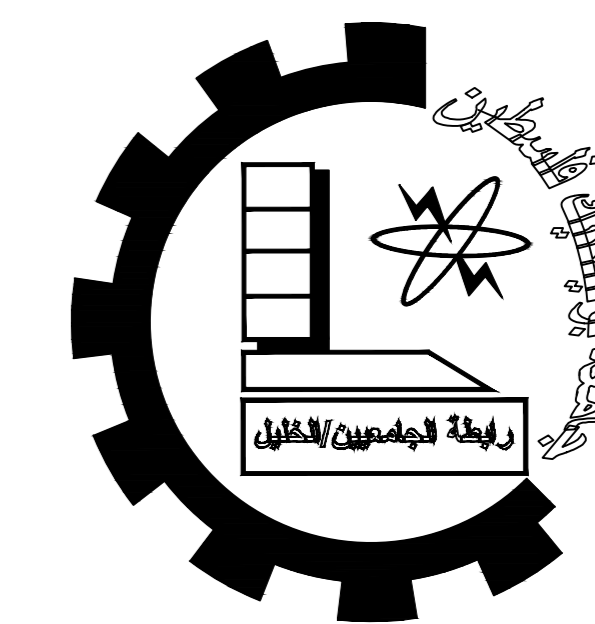
### Standard Hook Details and Bar Bends

End position

Hook details	Secondary Steel	Main Steel	Application
	D	4d	5d
	1e	12d	14d
			16mm dia. bar and larger
	D	4d	--
	1e	12d	--
			13mm dia. bar and smaller
	D	4d	--
	1e	12d	--
			T- and L-shape stirrups
	D	4d	--
	1e	8d	--
			90° 135°
	1'e	10d	--
			Spacer bar

Intermediate position

Hook details	Secondary Steel
	D
	3d and over
	D
	4d and over
or	
	D
	5d and over
	D
	8d



Palestine Polytechnic University

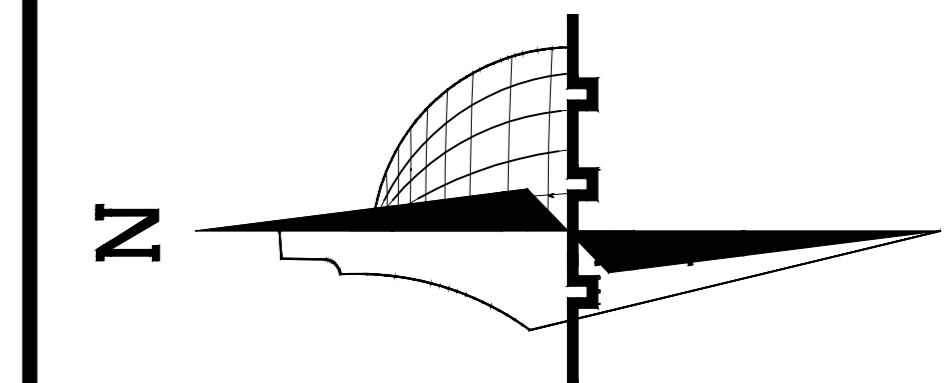
College of Engineering

Civil Engineering Department

Civil Engineering

Graduation Project

Al-Noor Hotel



#### Legend :

	Stone		Gravel
	R.Concrete		Wood
	Concrete		HEXAGONAL TILES
	Hollow Block		BAKLAVA TILES
	isolating materials		GRASS

DRAWING TITLE :

GENERAL NOTES

Supervisor

Dr. Nasr Abboushi.

Done by :

Mohammad zareer

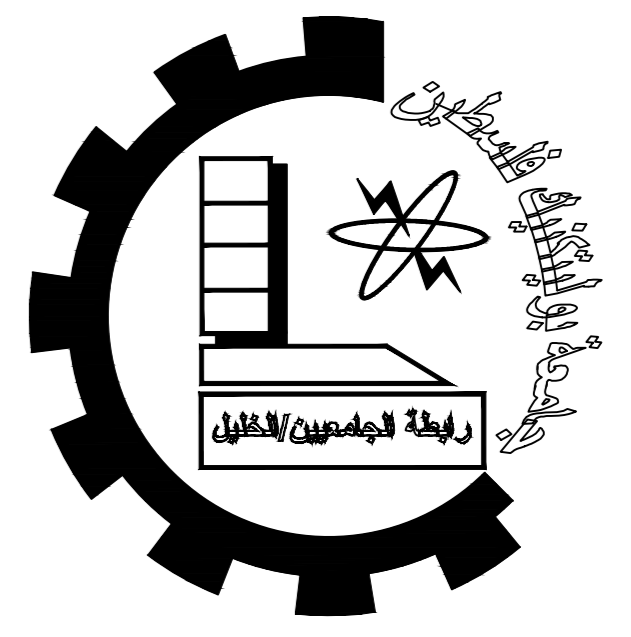
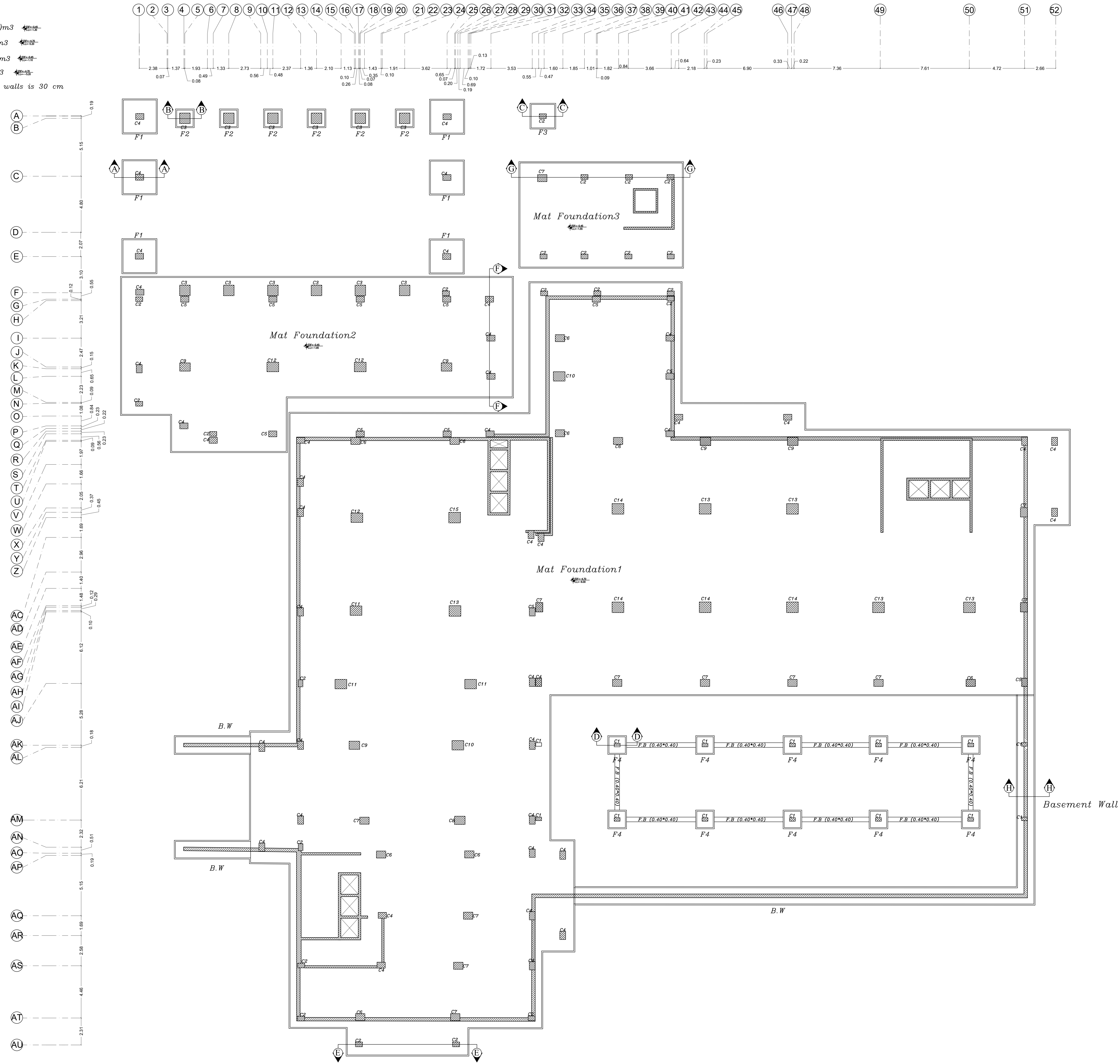
Husam Talahmeh

SCALE	No. of DRAW	DATE
1/100	S00	21/01/2024

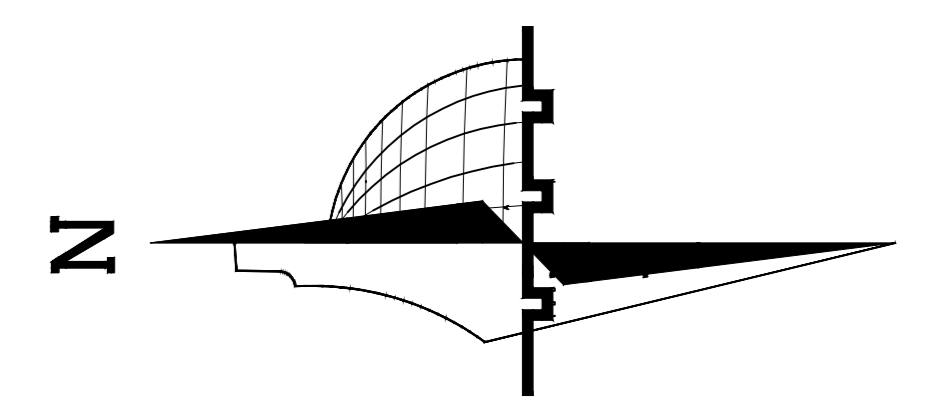


**Notes:**

- F1 (2.85\*2.85\*0.85)m3
  - F2 (1.40\*1.40\*0.5)m3
  - F3 (2.00\*2.00\*0.65)m3
  - F4 (1.40\*1.40\*0.5)m3
- The thickness of all walls is 30 cm



Palestine Polytechnic University  
 College of Engineering  
 Civil Engineering Department  
 Civil Engineering  
 Graduation Project  
 Al-Noor Hotel



**Legend :**

- Stone
- R.Concrete
- Concrete
- Hollow Block
- isolating materials
- Gravel
- Wood
- HEXAGONAL TILES
- BAKLAVA TILES
- GRASS

DRAWING TITLE :

FOUNDATION PLAN

Supervisor  
 Dr. Nasr Abboushi.

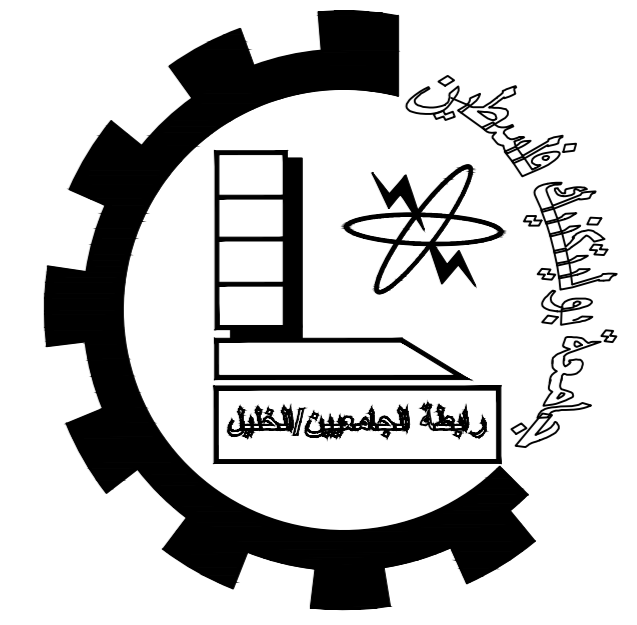
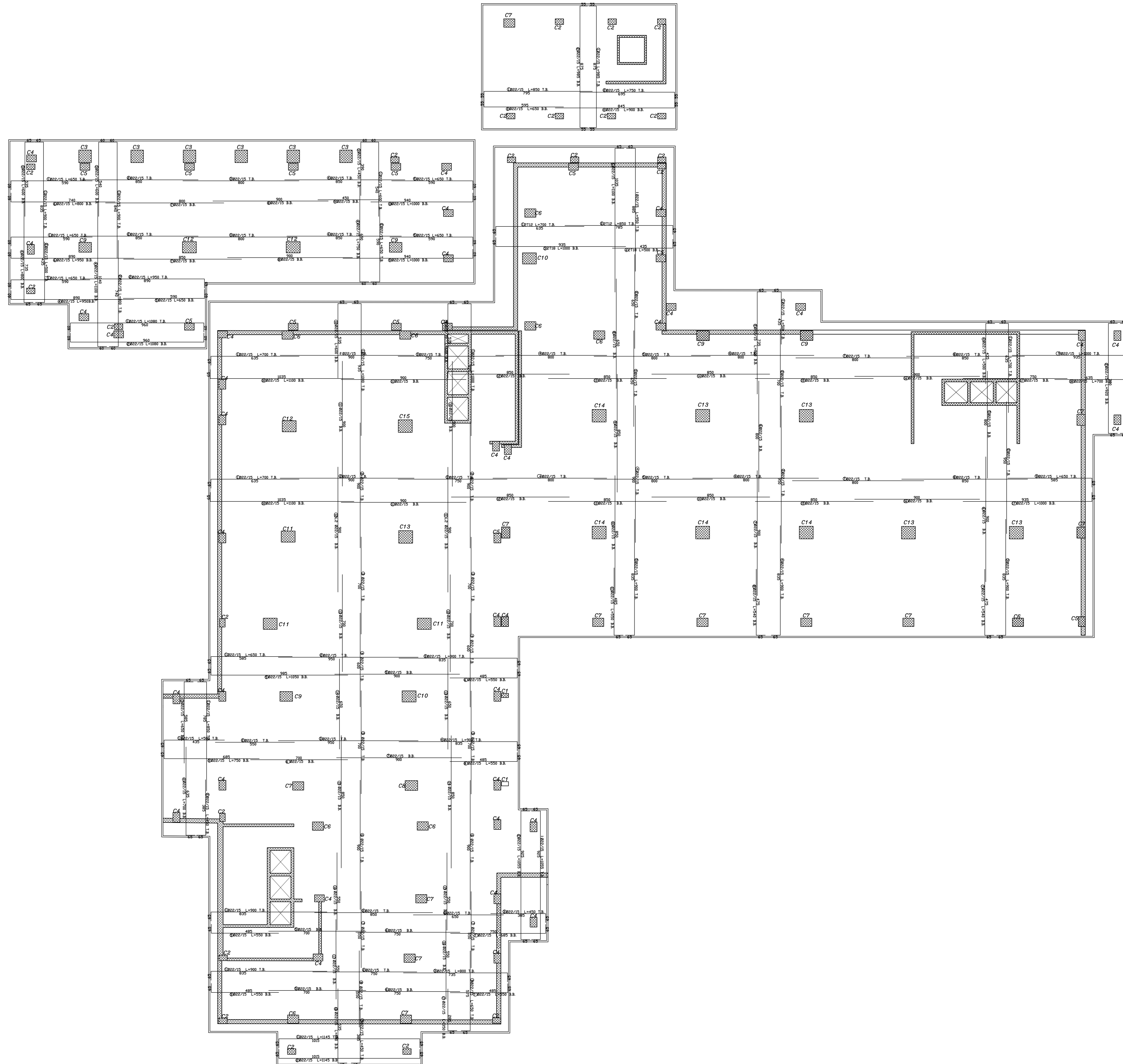
Done by :  
 Mohammad zareer  
 Husam Talahmeh

SCALE	No. of DRAW	DATE
1/100	S01	21/01/2024



# MATT FOUNDATION

Basic Reinforcement Ø22/150 T+B both direction



Palestine Polytechnic University

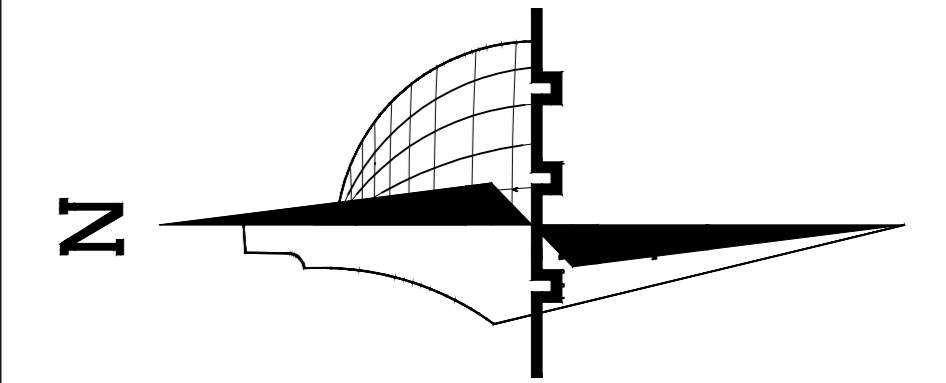
College of Engineering

Civil Engineering Department

Civil Engineering

Graduation Project

Al-Noor Hotel



## Legend :

- Stone
- R.Concrete
- Concrete
- Hollow Block
- isolating materials
- Gravel
- Wood
- HEXAGONAL TILES
- BAKLAVA TILES
- GRASS

DRAWING TITLE :

MAT FOUNDATION  
REINFORCEMENT

Supervisor

Dr. Nasr Abboushi.

Done by :

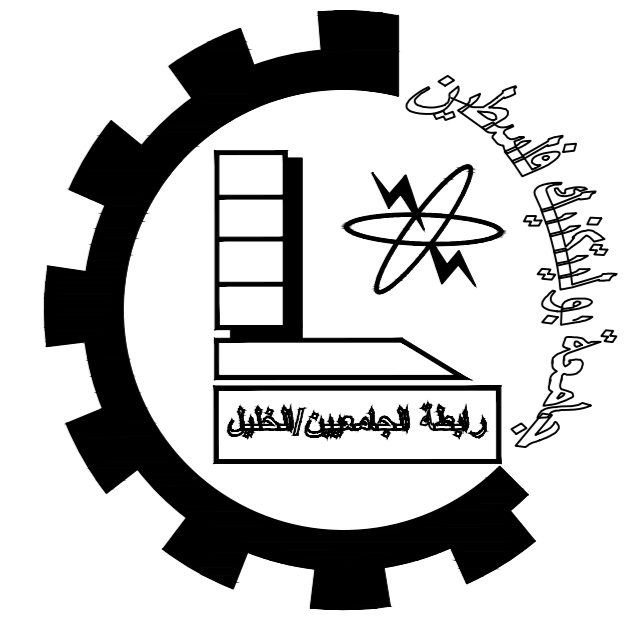
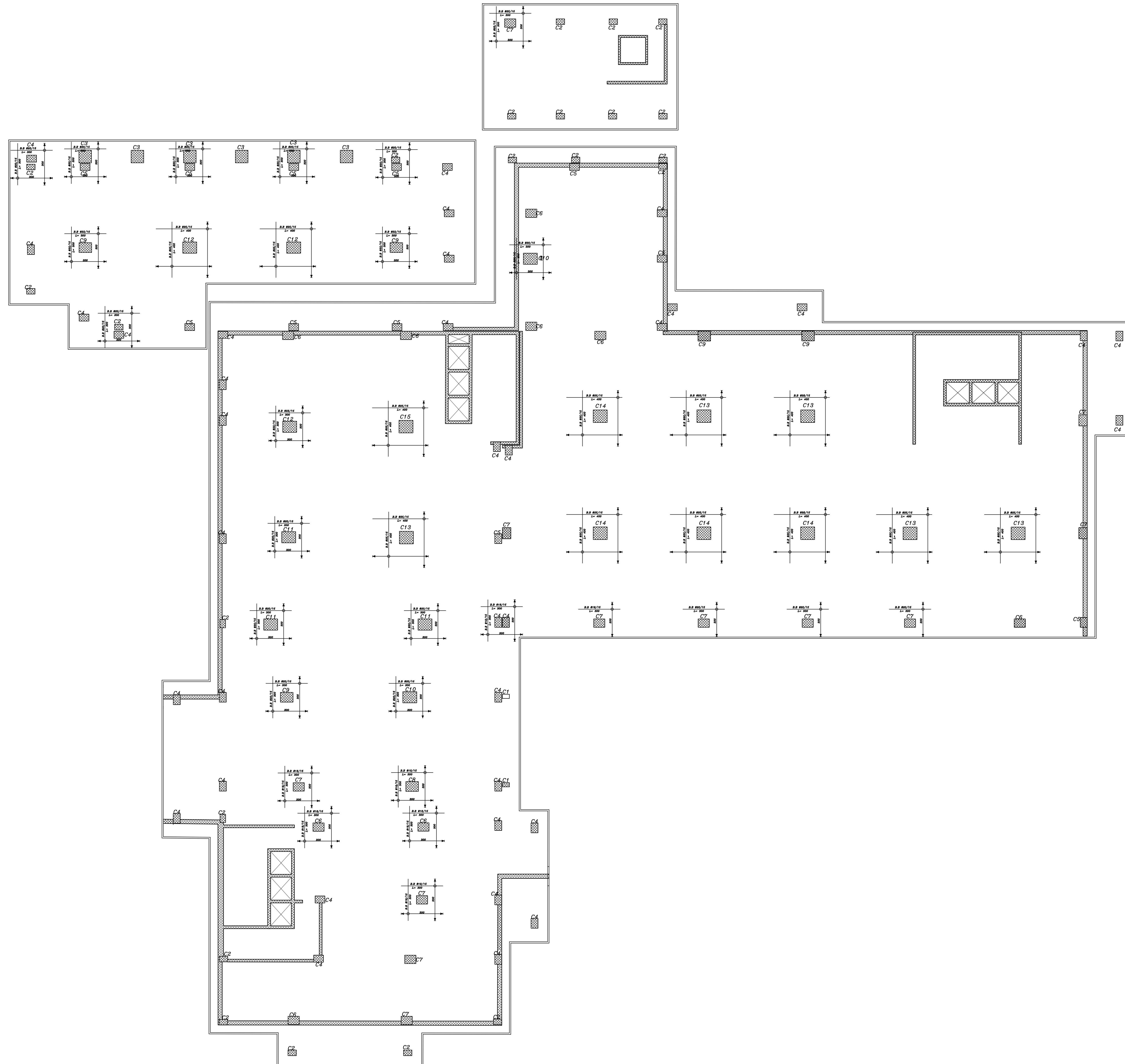
Mohammad zareer

Husam Talahmeh

SCALE	No. of DRAW	DATE
1/100	S02	21/01/2024



# MATT FOUNDATION



Palestine Polytechnic University

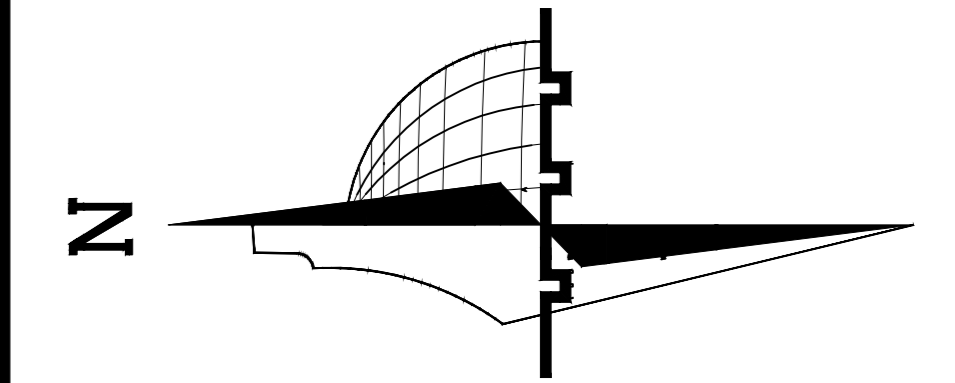
College of Engineering

Civil Engineering Department

Civil Engineering

Graduation Project

Al-Noor Hotel



### Legend :

- Stone
- R.Concrete
- Concrete
- Hollow Block
- isolating materials
- Gravel
- Wood
- HEXAGONAL TILES
- BAKLAVA TILES
- GRASS

DRAWING TITLE :

MAT FOUNDATION BOTTOM  
ADDITIONAL REINFORCEMENT

Supervisor

Dr. Nasr Abboushi.

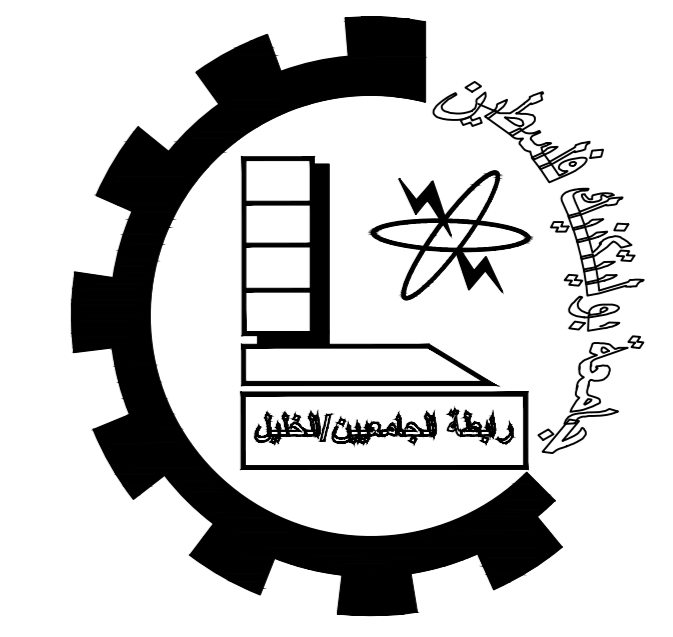
Done by :

Mohammad zareer

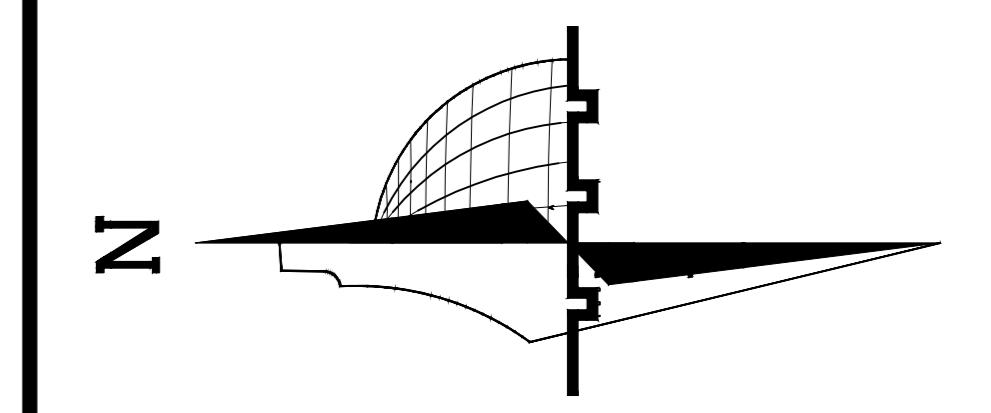
Husam Talahmeh

SCALE	No. of DRAW	DATE
1/100	S03	21/01/2024





Palestine Polytechnic University  
 College of Engineering  
 Civil Engineering Department  
 Civil Engineering  
 Graduation Project  
 Al-Noor Hotel



- Legend :**
- Stone
  - R.Concrete
  - Concrete
  - Hollow Block
  - isolating materials
  - Gravel
  - Wood
  - HEXAGONAL TILES
  - BAKLAVA TILES
  - GRASS

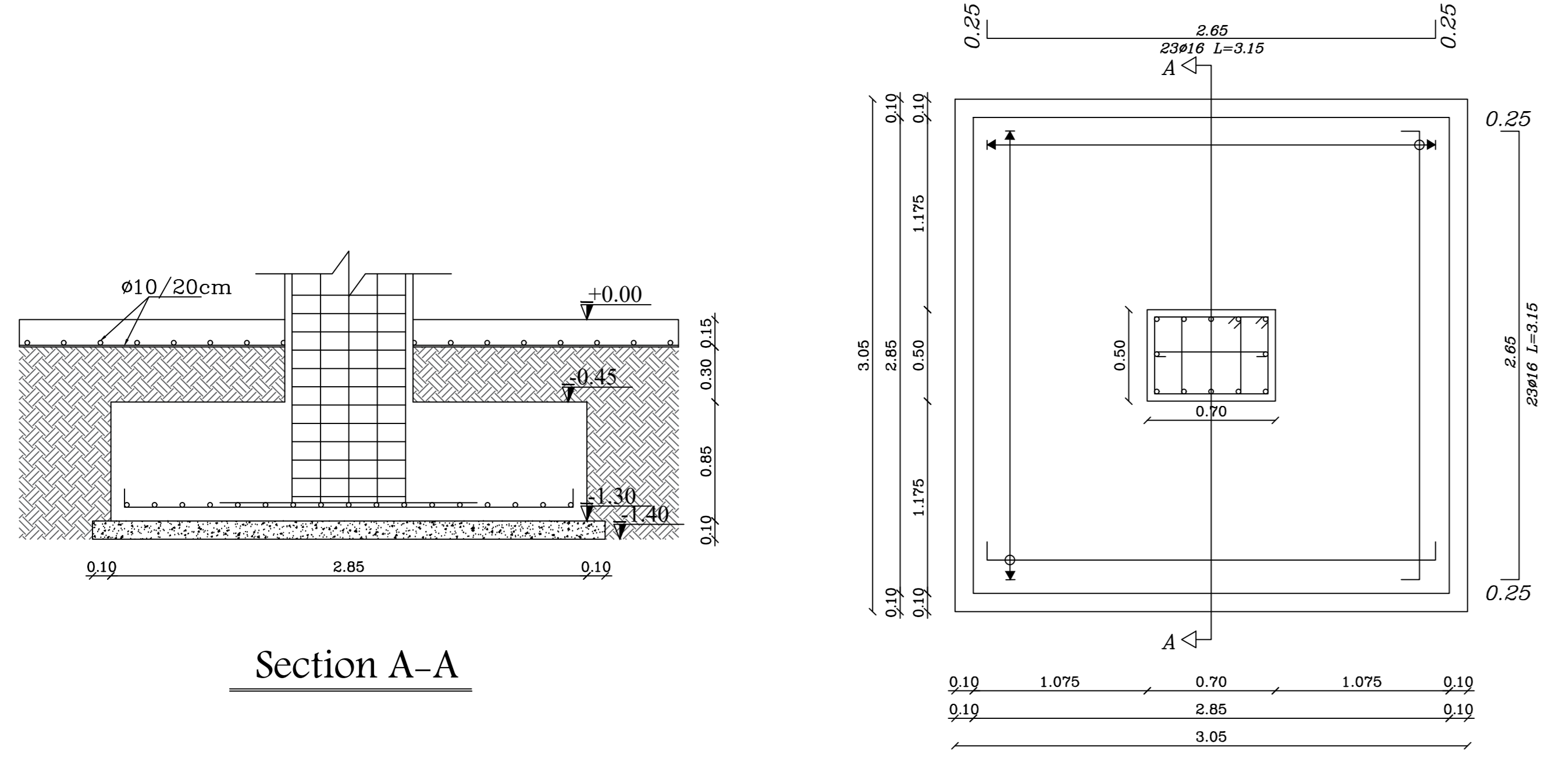
DRAWING TITLE :  
 ISOLATED+MAT FOOTINGS  
 REINFORCEMENT

Supervisor  
 Dr. Nasr Abboushi.

Done by :  
 Mohammad zareer  
 Husam Talahmeh

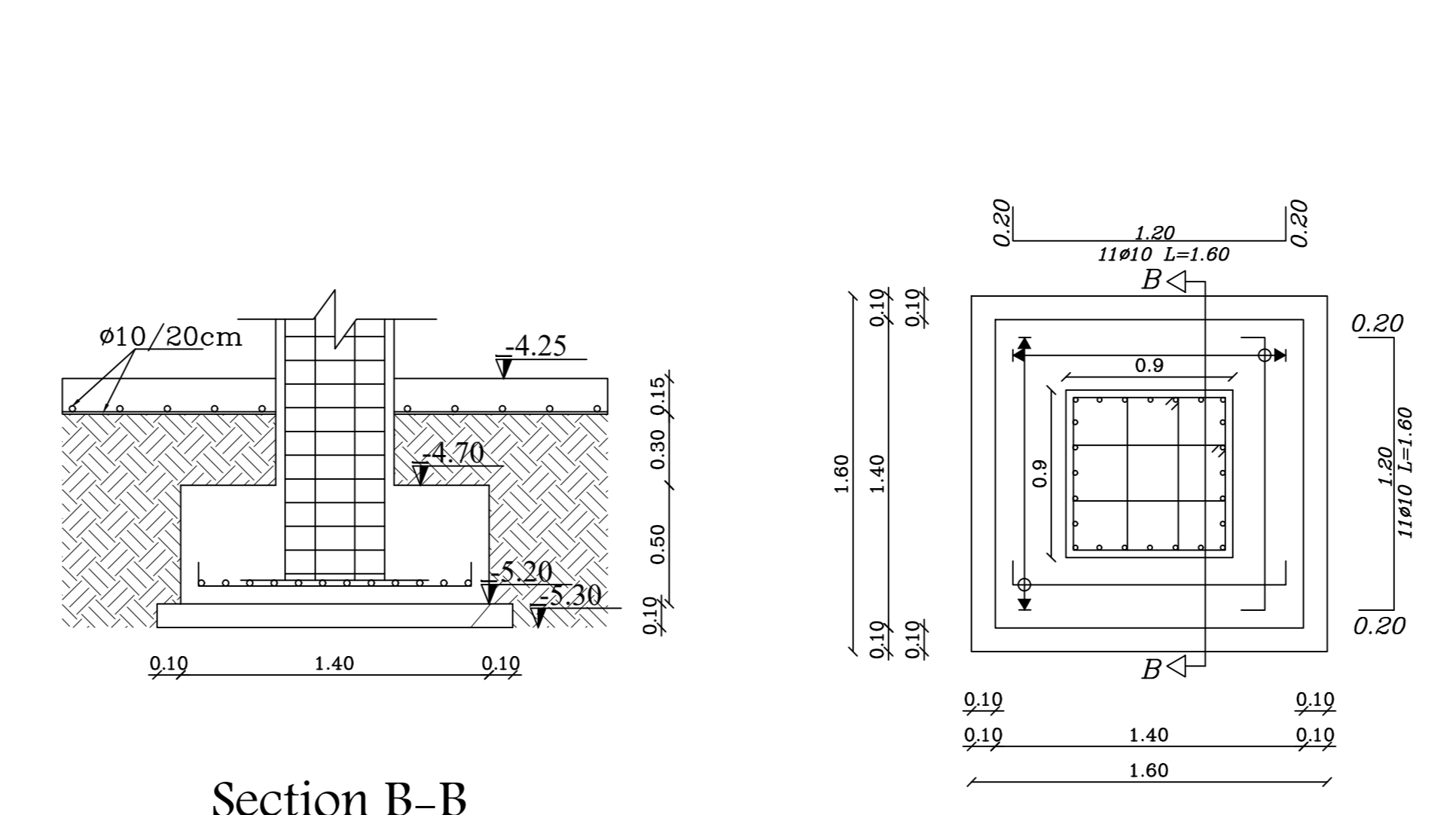
SCALE	No. of DRAW	DATE
1/100	S04	21/01/2024

ISOLATED FOOTING - F1 (2.85X2.85X0.85)m<sup>3</sup>  
 SCALE: 1/20



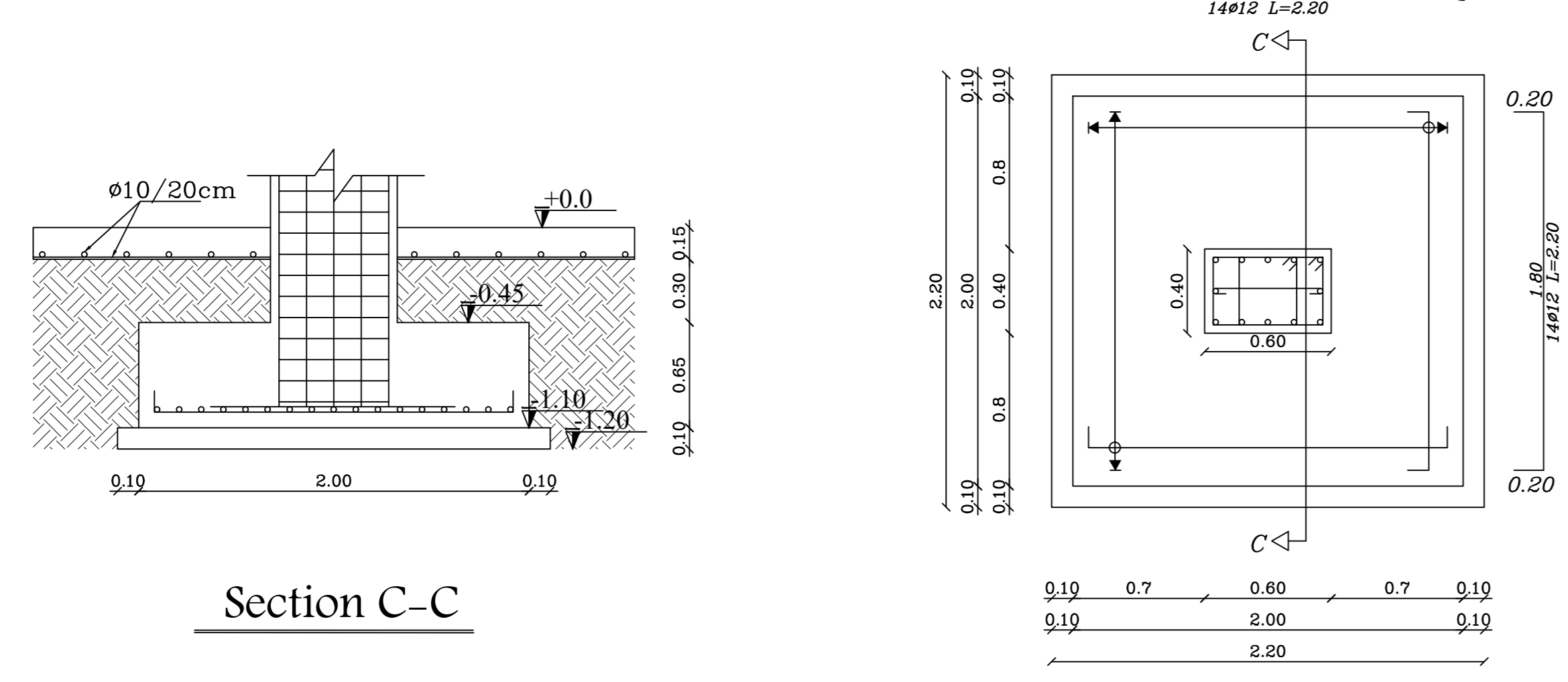
Section A-A

ISOLATED FOOTING - F2 (1.40X1.40X0.50)m<sup>3</sup>  
 SCALE: 1/20



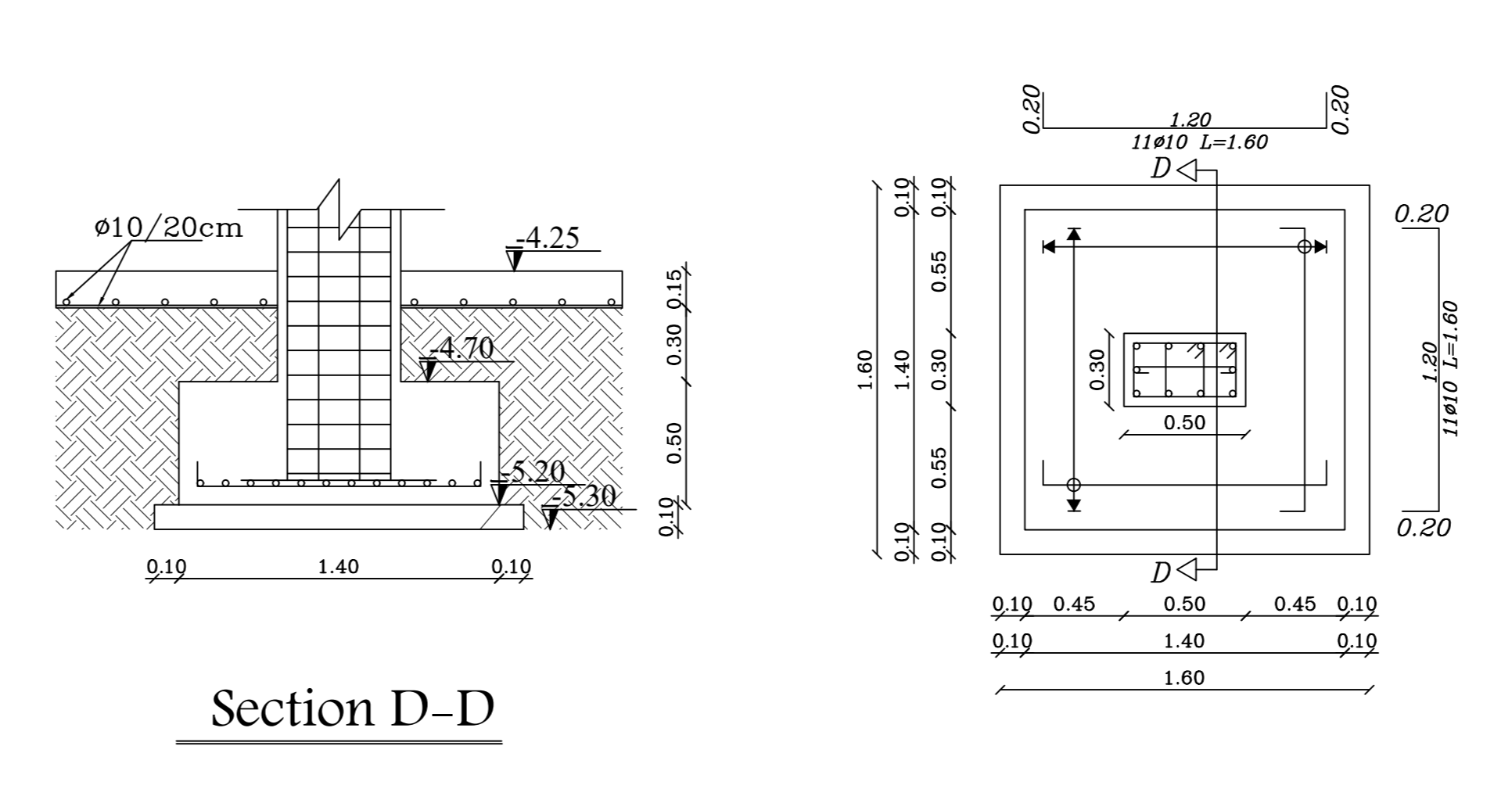
Section B-B

ISOLATED FOOTING - F3 (2.00X2.00X0.65)m<sup>3</sup>  
 SCALE: 1/20



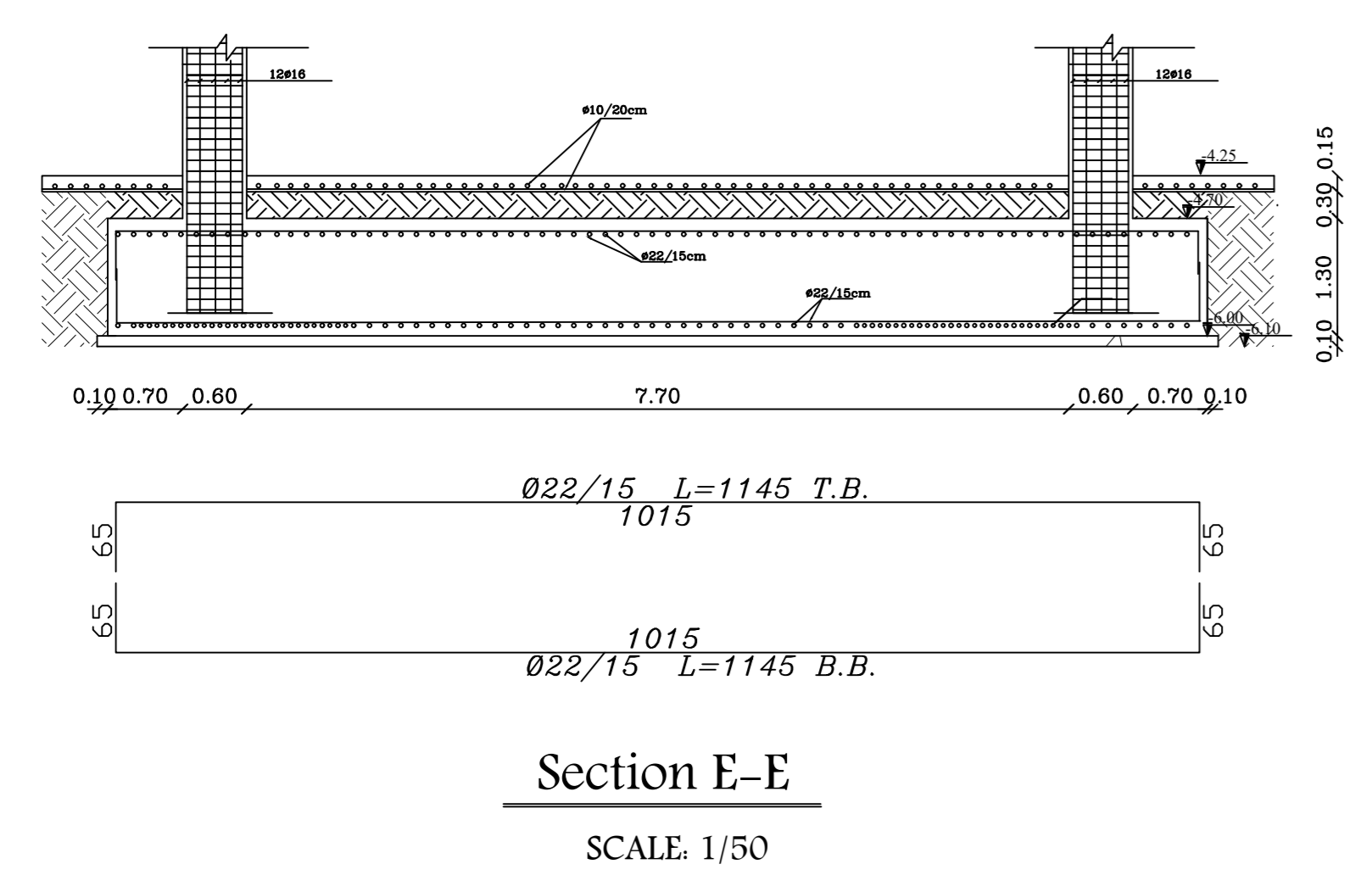
Section C-C

ISOLATED FOOTING - F4 (1.40X1.40X0.50)m<sup>3</sup>  
 SCALE: 1/20



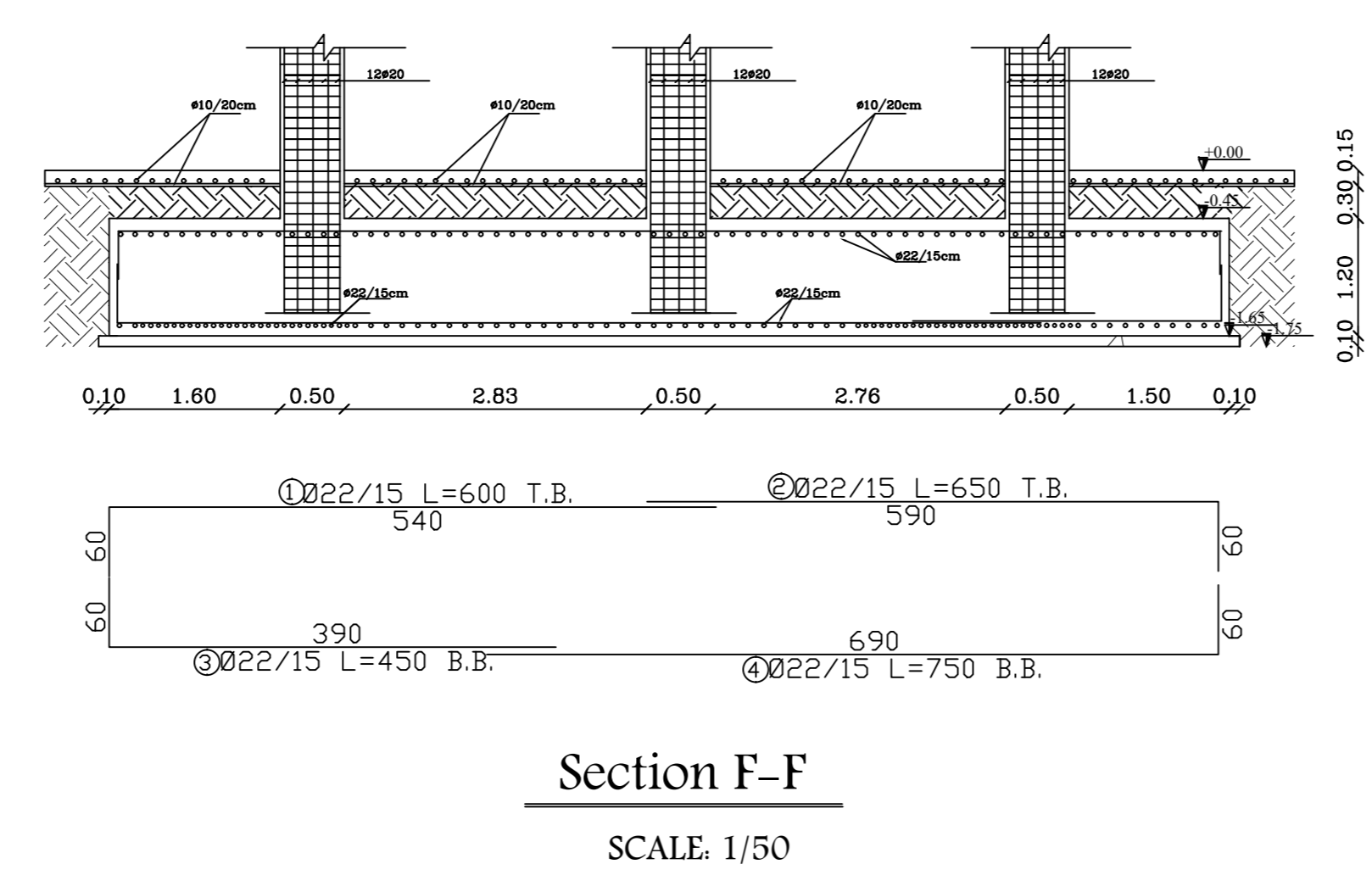
Section D-D

MATT FOUNDATION 1



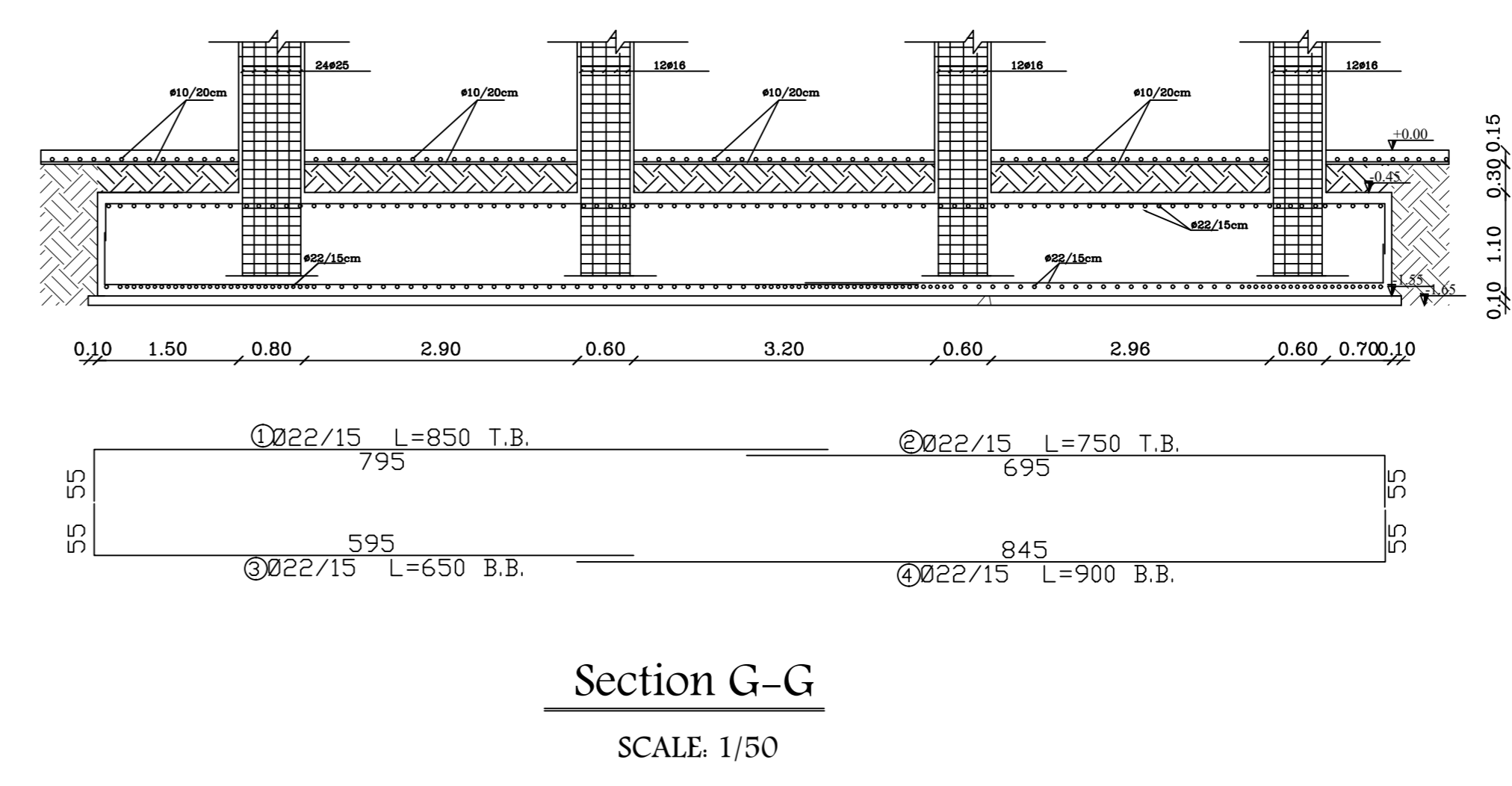
Section E-E  
 SCALE: 1/50

MATT FOUNDATION 2



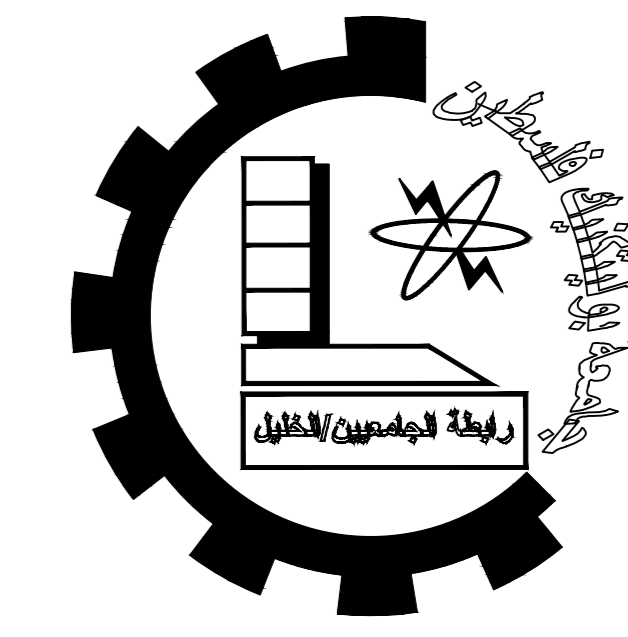
Section F-F  
 SCALE: 1/50

MATT FOUNDATION 3

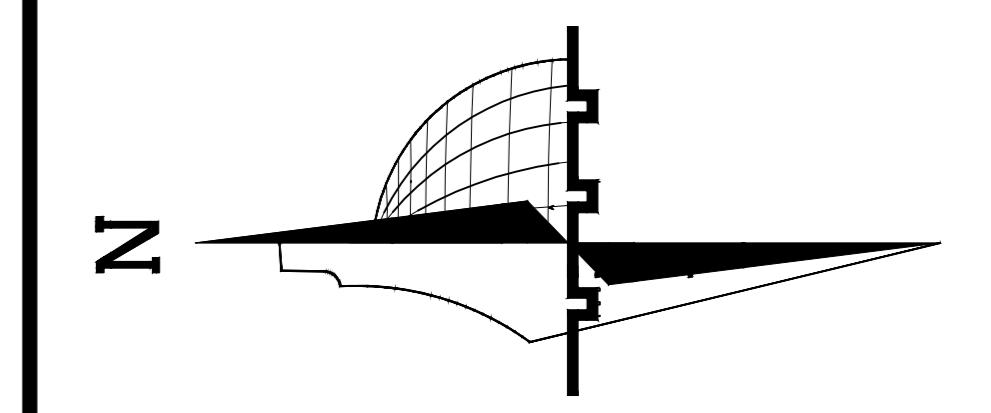


Section G-G  
 SCALE: 1/50





Palestine Polytechnic University  
 College of Engineering  
 Civil Engineering Department  
 Civil Engineering  
 Graduation Project  
 Al-Noor Hotel



**Legend :**

- Stone
- R.Concrete
- Concrete
- Hollow Block
- isolating materials
- Gravel
- Wood
- HEXAGONAL TILES
- BAKLAVA TILES
- GRASS

DRAWING TITLE :

COLUMN'S PLAN

Supervisor

Dr. Nasr Abboushi.

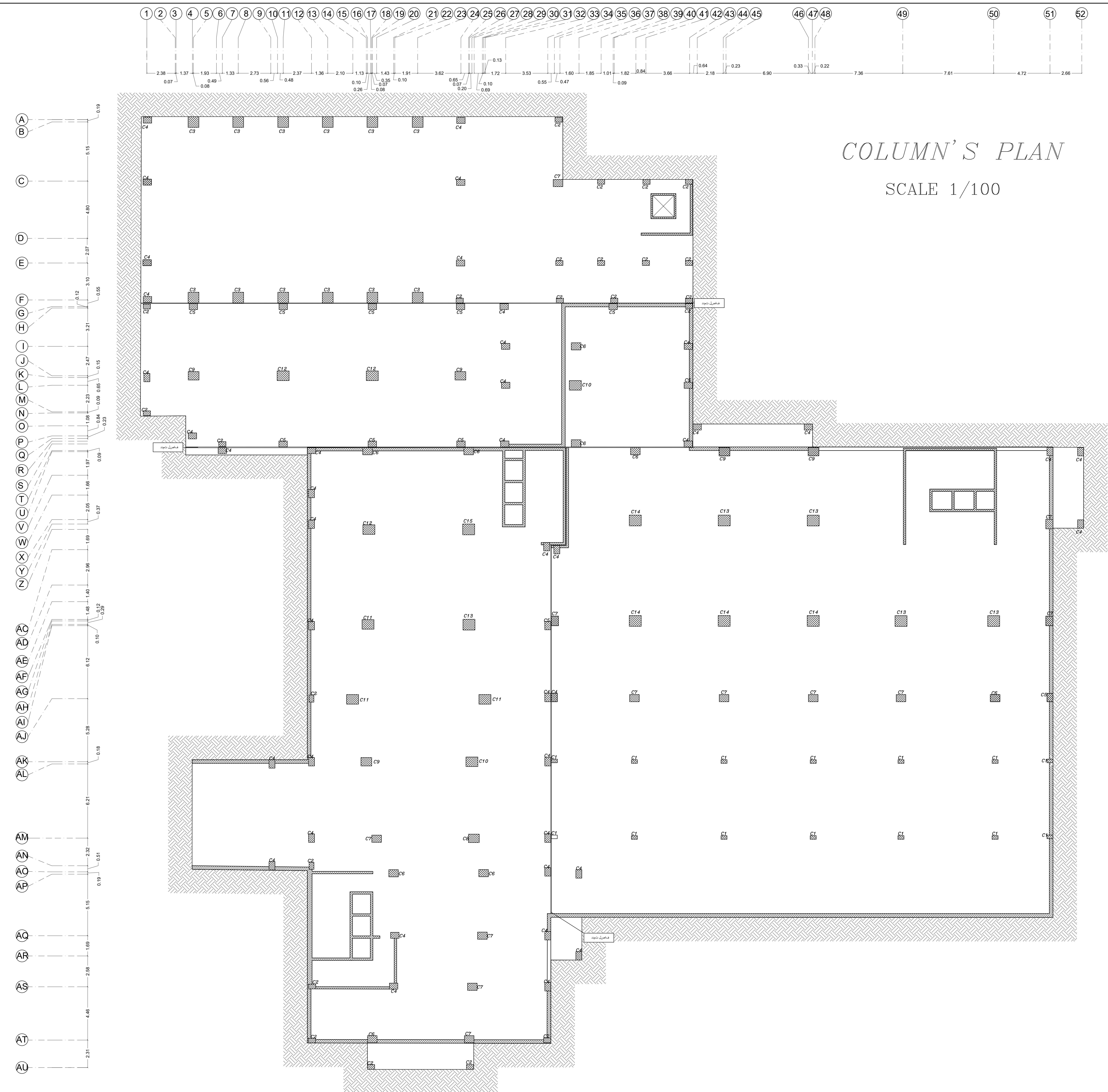
Done by :

Mohammad zareer

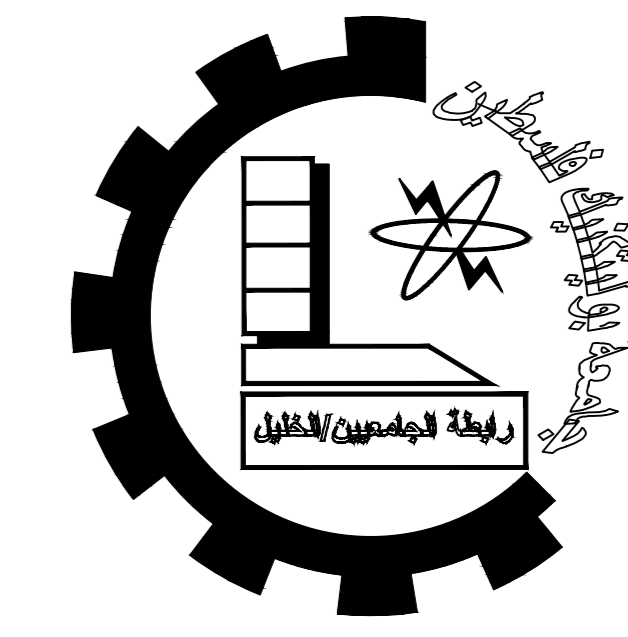
Husam Talahmeh

SCALE	No. of DRAW	DATE
1/100	S05	21/01/2024

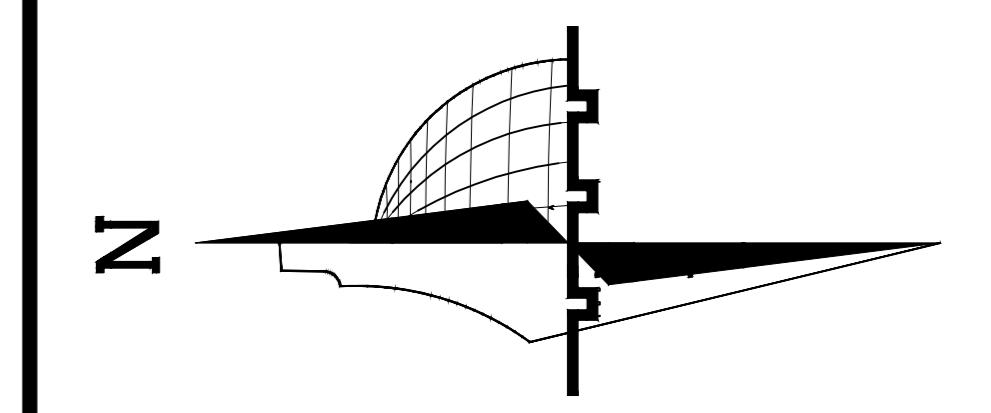
COLUMN'S PLAN  
 SCALE 1/100







Palestine Polytechnic University  
 College of Engineering  
 Civil Engineering Department  
 Civil Engineering  
 Graduation Project  
 Al-Noor Hotel



**Legend :**

- Stone
- R.Concrete
- Concrete
- Hollow Block
- isolating materials
- Gravel
- Wood
- HEXAGONAL TILES
- BAKLAVA TILES
- GRASS

DRAWING TITLE :

COLUMN'S DETAILINGS

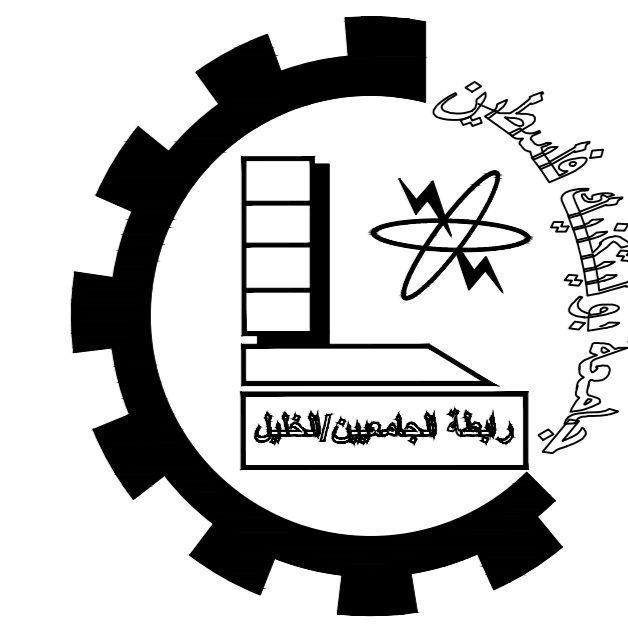
Supervisor  
 Dr. Nasr Abboushi.

Done by :  
 Mohammad zareer  
 Husam Talahmeh

SCALE	No. of DRAW	DATE
1/100	S06	21/01/2024

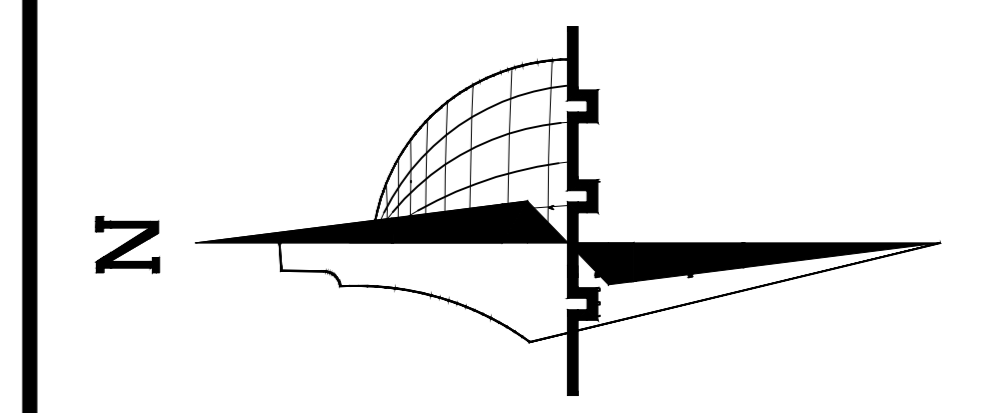
Floor	Column's Design Sections							
	G1 DL = 500 KN LL = 250 KN	G2 DL = 1000 KN LL = 500 KN	G3 FRAMES	G4 DL = 2000 KN LL = 1000 KN	G5 DL = 2500 KN LL = 1250 KN	G6 DL = 3000 KN LL = 1500 KN	G7 DL = 3500 KN LL = 1750 KN	G8 DL = 4000 KN LL = 2000 KN
Basment 1st								
Ground Floor								
1st Floor								
2nd-6th Floor								

Floor	Column's Design Sections						
	G9 DL = 4500 KN LL = 2250 KN	G10 DL = 5000 KN LL = 2500 KN	G11 DL = 5500 KN LL = 2750 KN	G12 DL = 6000 KN LL = 3000 KN	G13 DL = 6500 KN LL = 3000 KN	G14 DL = 7000 KN LL = 3000 KN	G15 DL = 7500 KN LL = 3000 KN
Basment 1st							
Ground Floor							
1st Floor							
2nd-6th Floor							



Palestine Polytechnic University  
 College of Engineering  
 Civil Engineering Department  
 Civil Engineering  
 Graduation Project

Al-Noor Hotel



**Legend :**

- Stone
- R.Concrete
- Concrete
- Hollow Block
- isolating materials
- Gravel
- Wood
- HEXAGONAL TILES
- BAKLAVA TILES
- GRASS

DRAWING TITLE :

COLUMN G1 & G2 & G4

Supervisor

Dr. Nasr Abboushi.

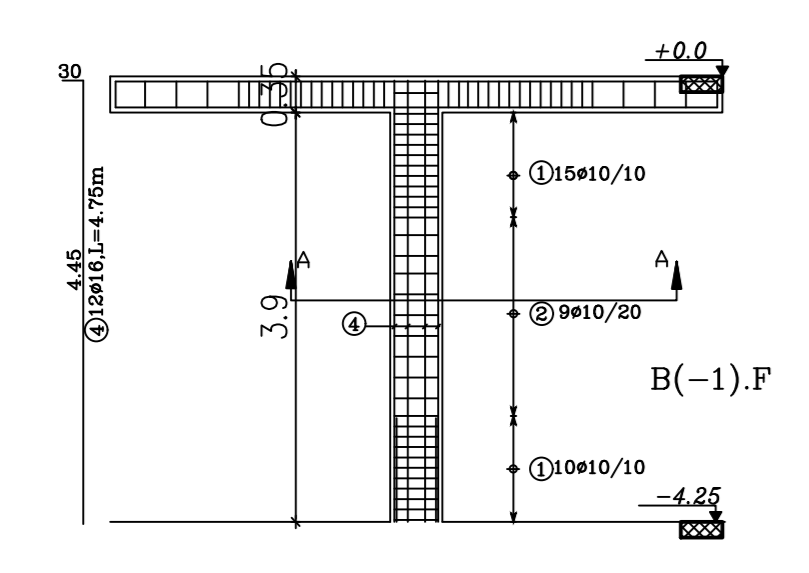
Done by :

Mohammad zareer

Husam Talahmeh

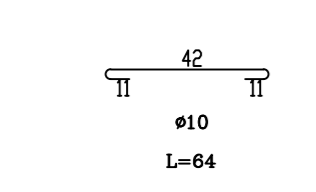
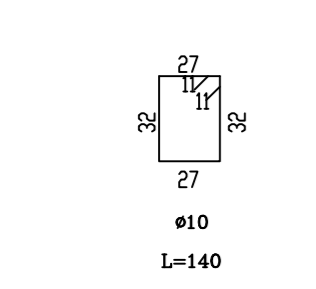
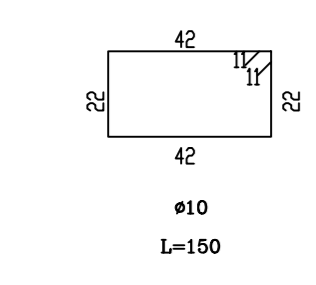
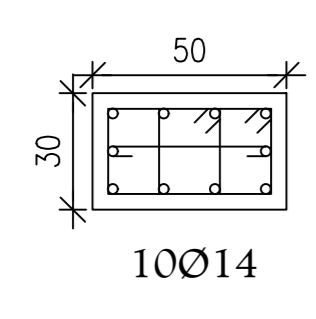
SCALE	No. of DRAW	DATE
1/100	S07	21/01/2024

Column detailing G1



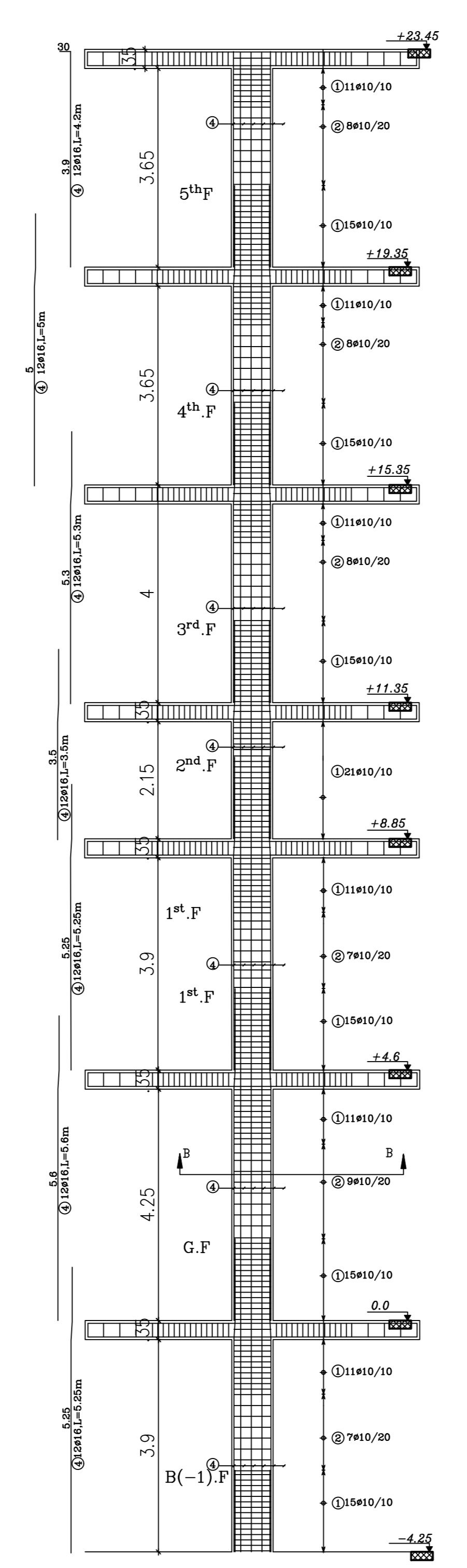
Scale:1/60

Section A-A



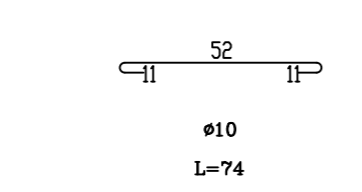
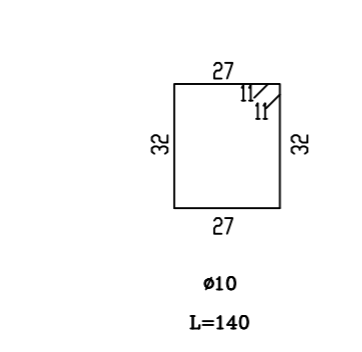
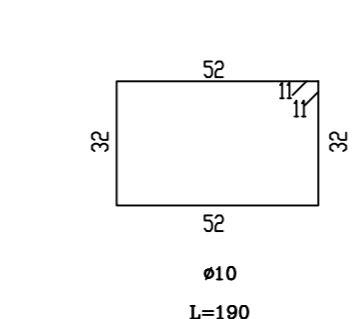
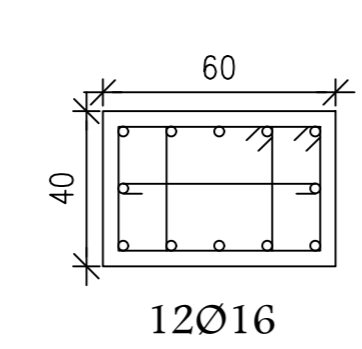
Scale:1/16

Column detailing G2



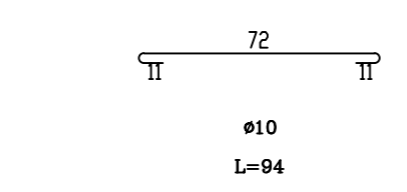
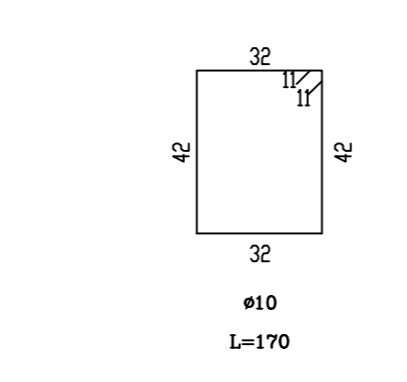
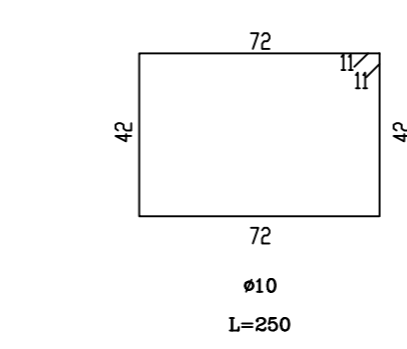
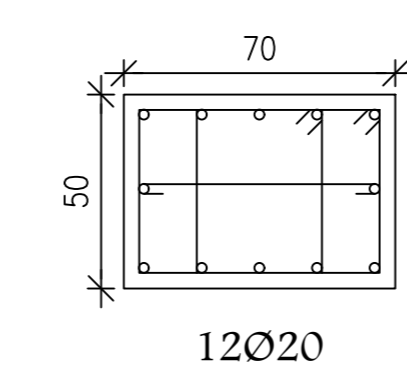
Scale:1/60

Section B-B



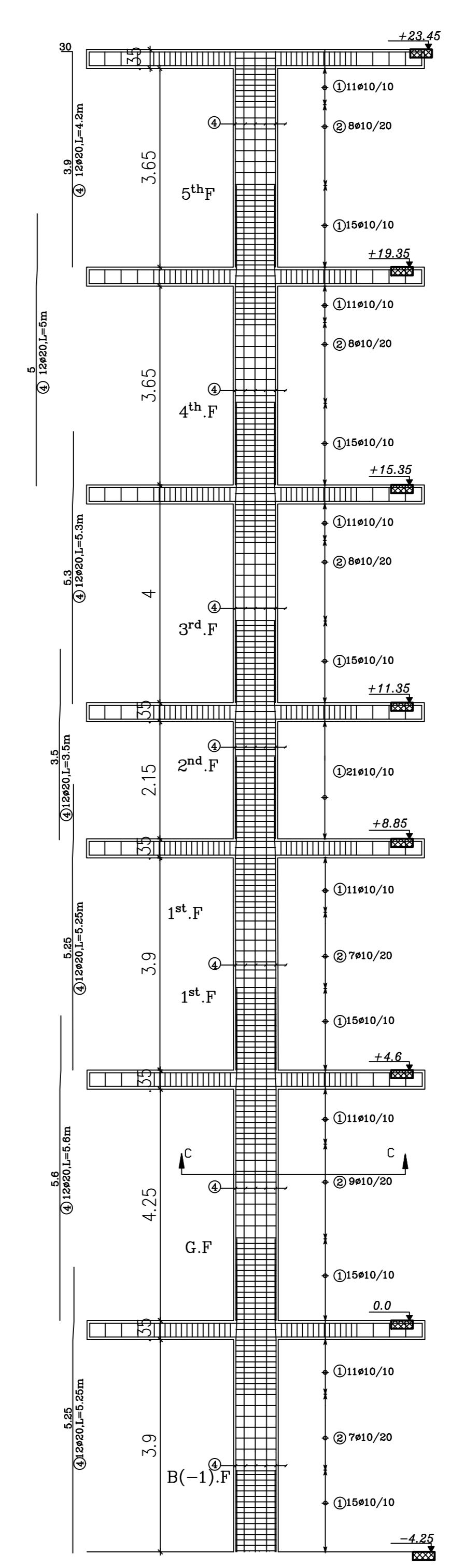
Scale:1/16

Section C-C



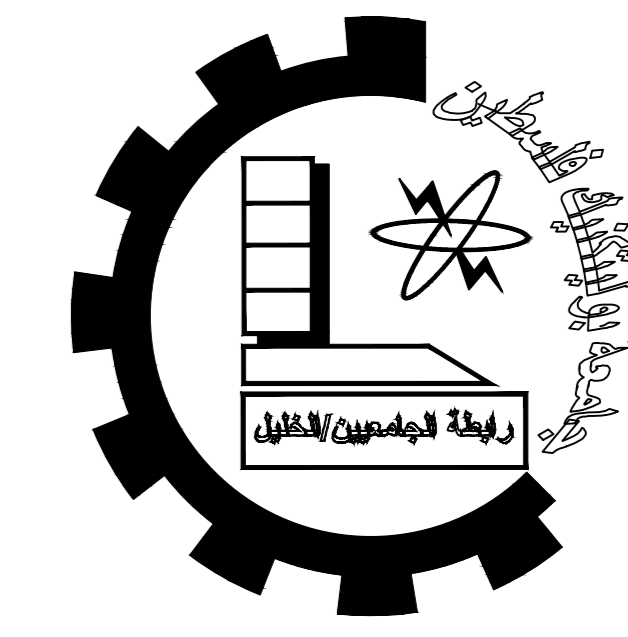
Scale:1/16

Column detailing G4



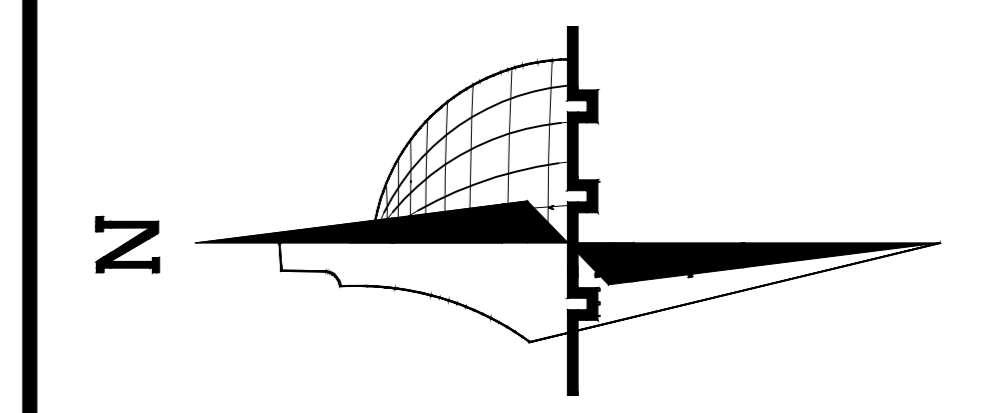
Scale:1/60





Palestine Polytechnic University  
 College of Engineering  
 Civil Engineering Department  
 Civil Engineering  
 Graduation Project

Al-Noor Hotel



**Legend :**

- Stone
- R.Concrete
- Concrete
- Hollow Block
- isolating materials
- Gravel
- Wood
- HEXAGONAL TILES
- BAKLAVA TILES
- GRASS

DRAWING TITLE :

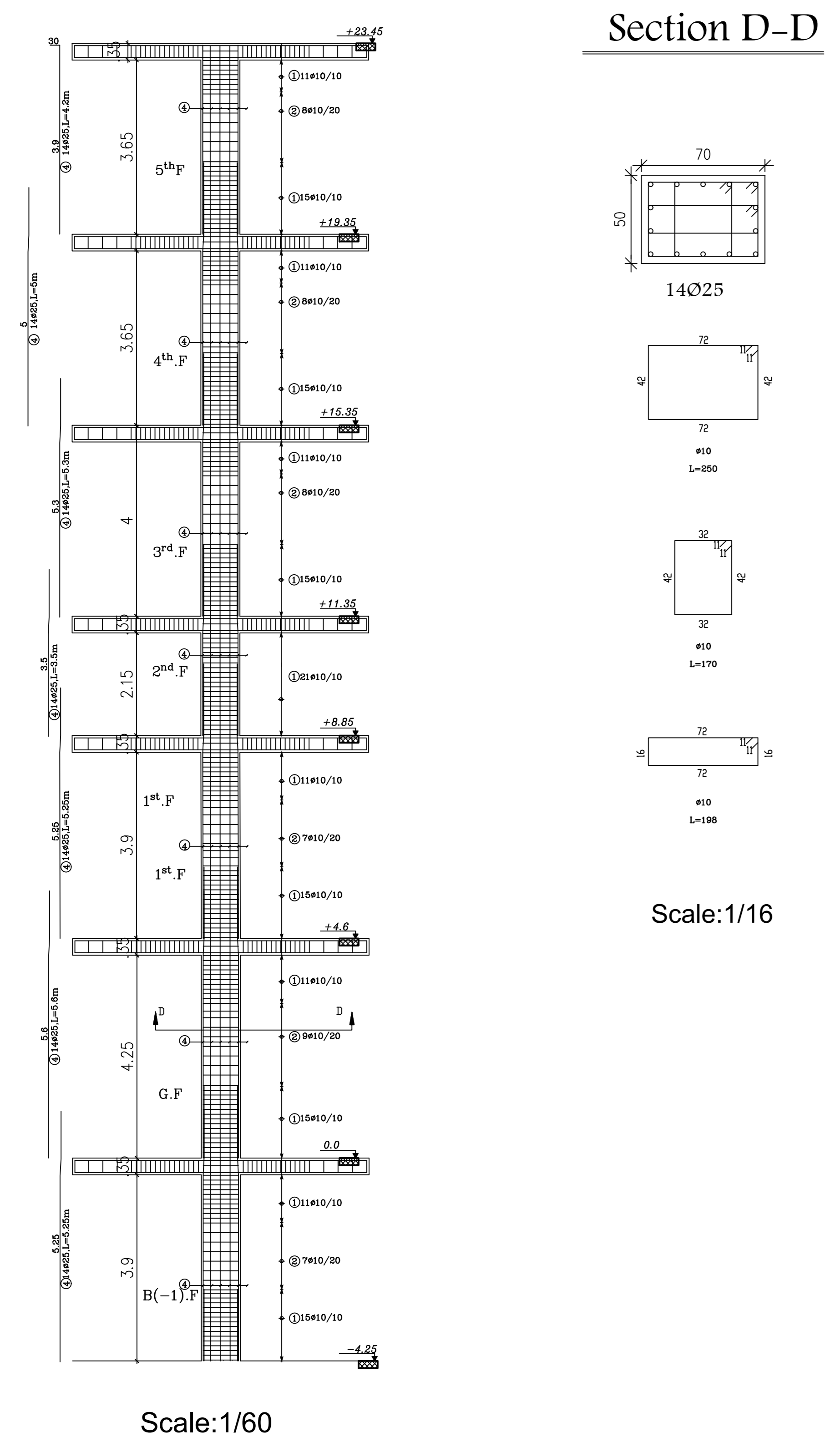
COLUMN G5 & G6 & G7

Supervisor  
 Dr. Nasr Abboushi.

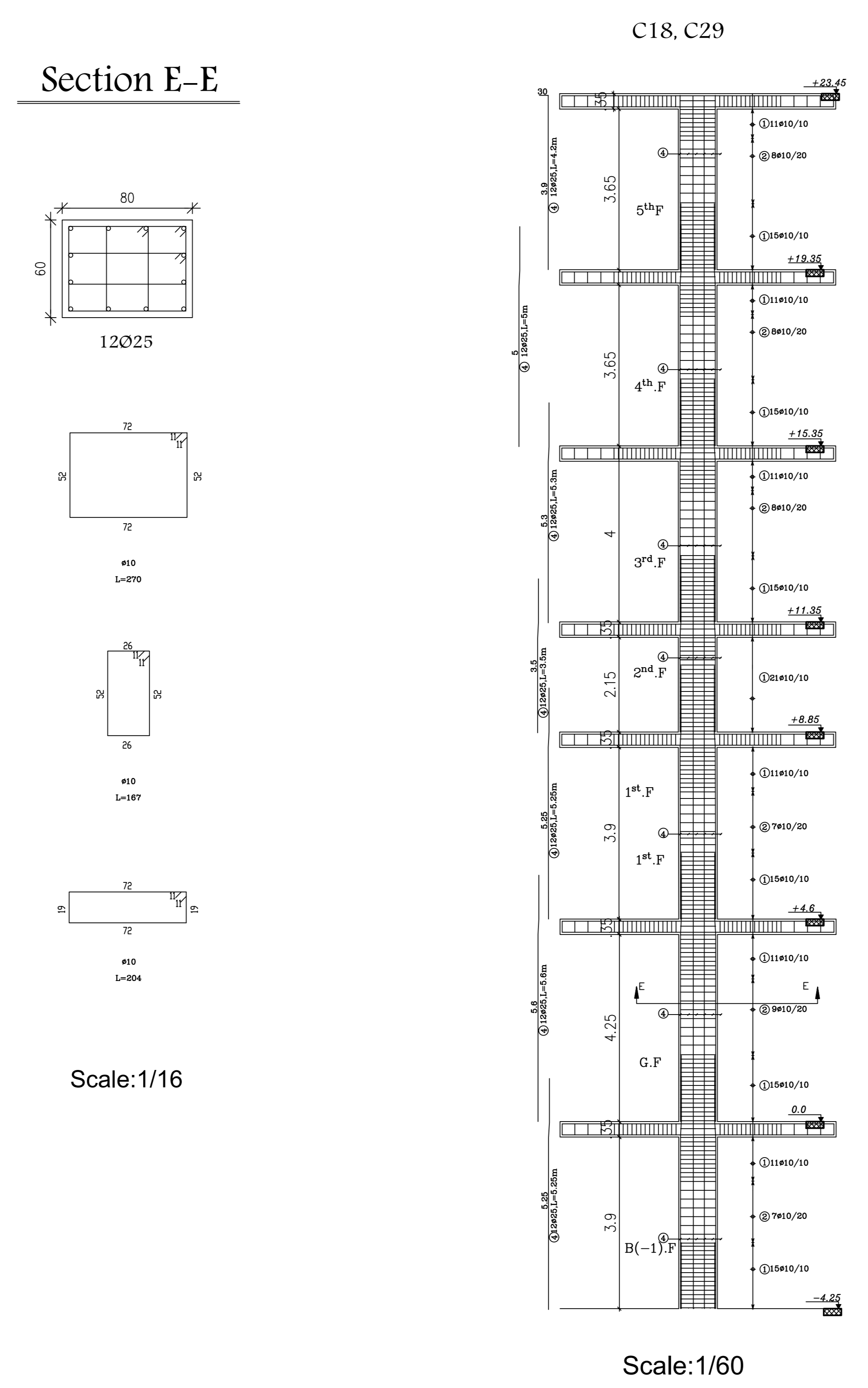
Done by :  
 Mohammad zareer  
 Husam Talahmeh

SCALE	No. of DRAW	DATE
1/100	S08	21/01/2024

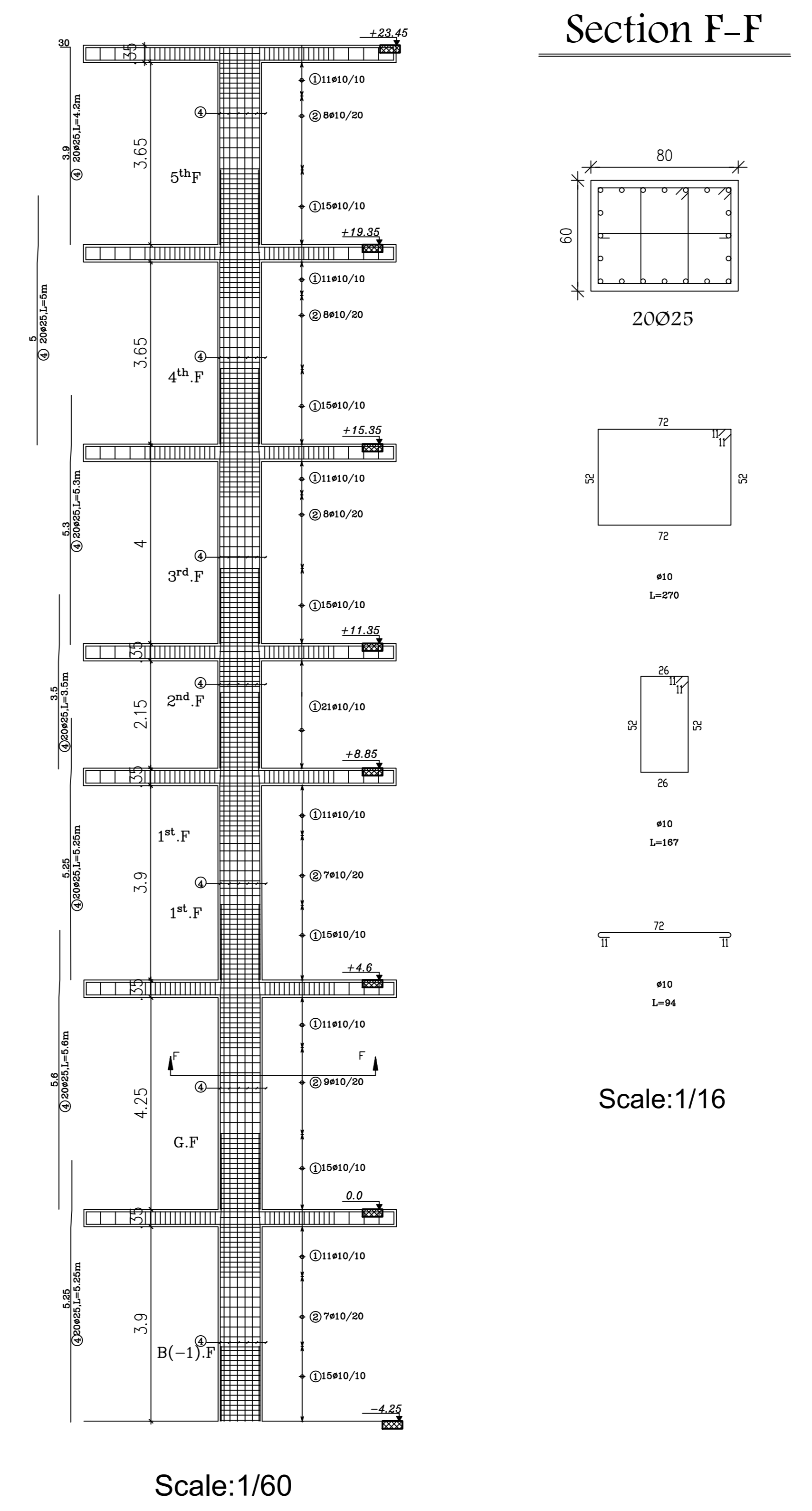
Column detailing G5

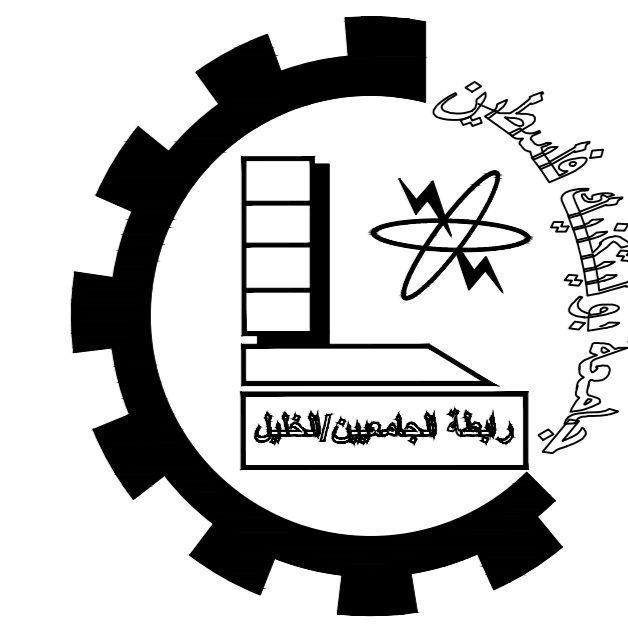


Column detailing G6



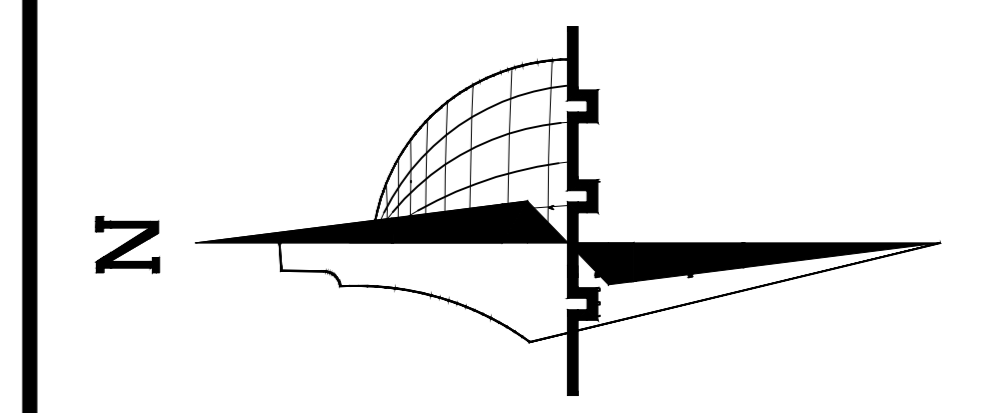
Column detailing G7





Palestine Polytechnic University  
 College of Engineering  
 Civil Engineering Department  
 Civil Engineering  
 Graduation Project

Al-Noor Hotel



**Legend :**

- Stone
- R.Concrete
- Concrete
- Hollow Block
- isolating materials
- Gravel
- Wood
- HEXAGONAL TILES
- BAKLAVA TILES
- GRASS

DRAWING TITLE :

COLUMN G8 & G9 & G10

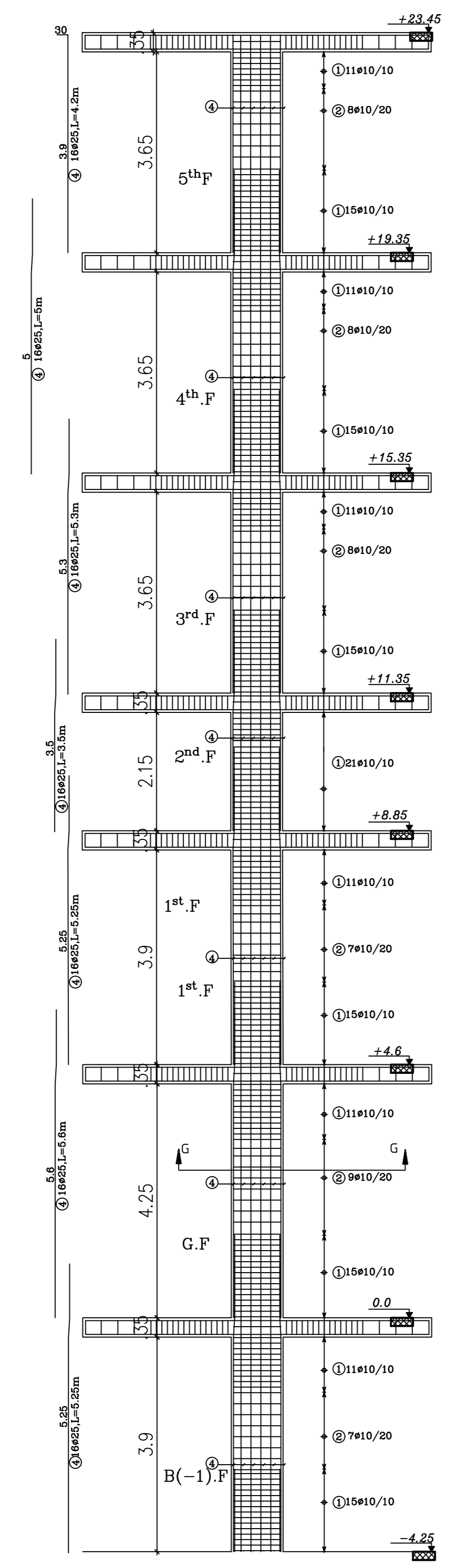
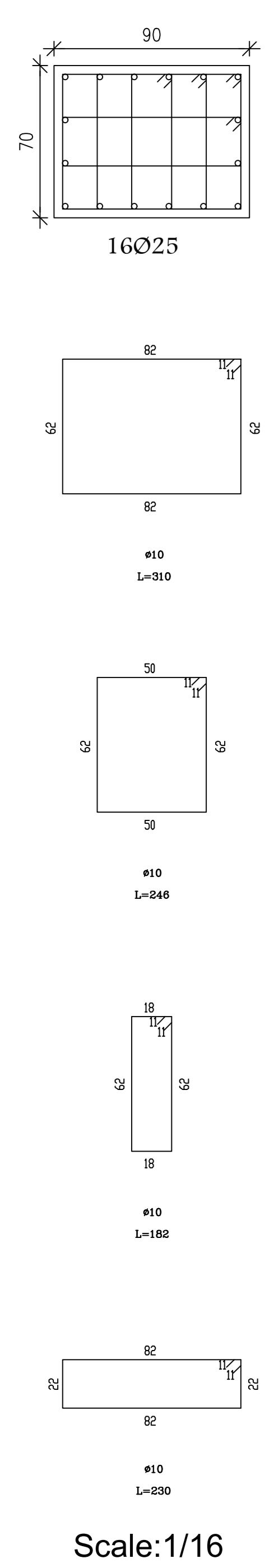
Supervisor  
 Dr. Nasr Abboushi.

Done by :  
 Mohammad zareer  
 Husam Talahmeh

SCALE	No. of DRAW	DATE
1/100	S09	21/01/2024

Column detailing G8

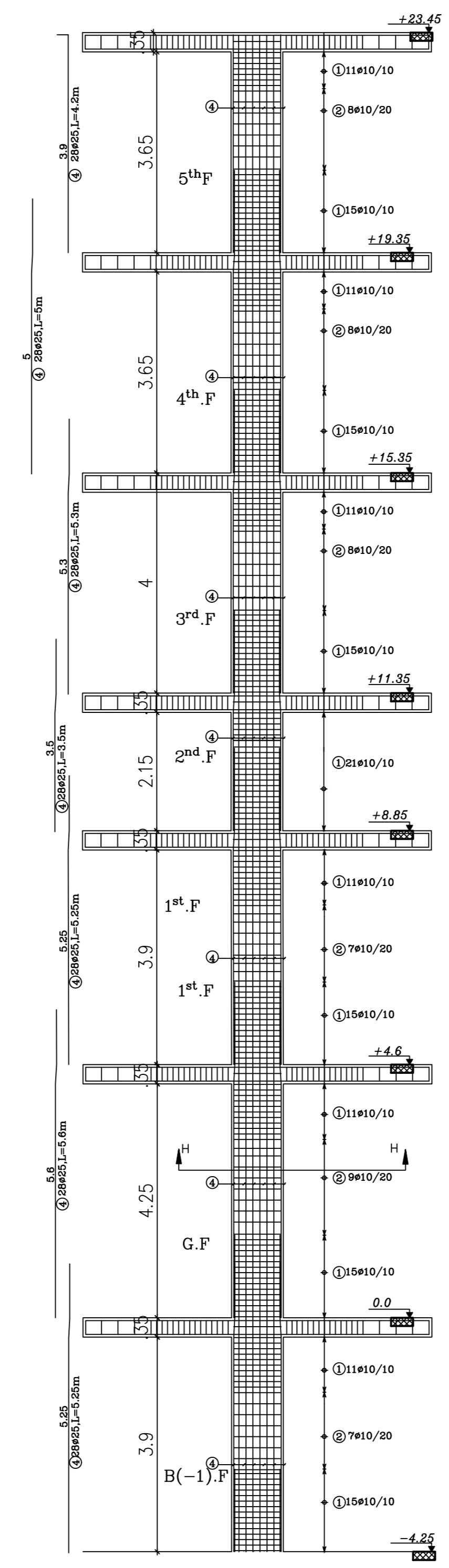
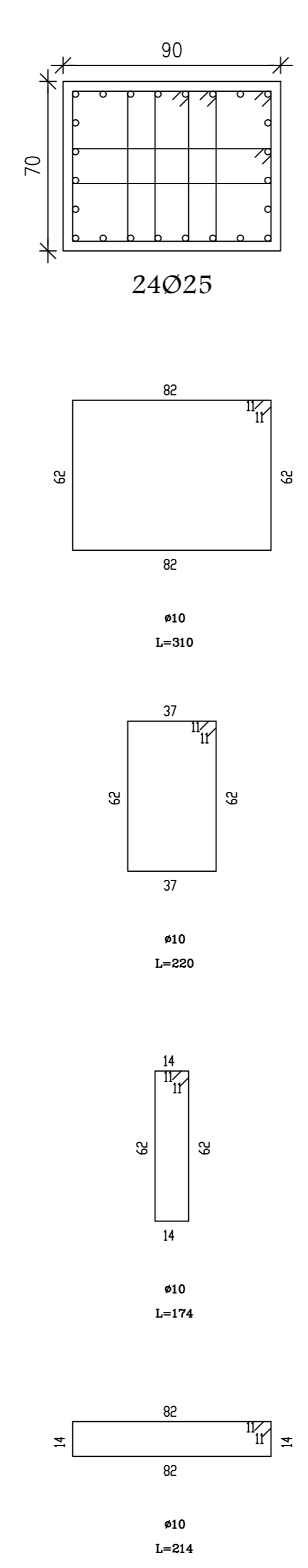
Section G-G



Scale:1/60

Column detailing G9

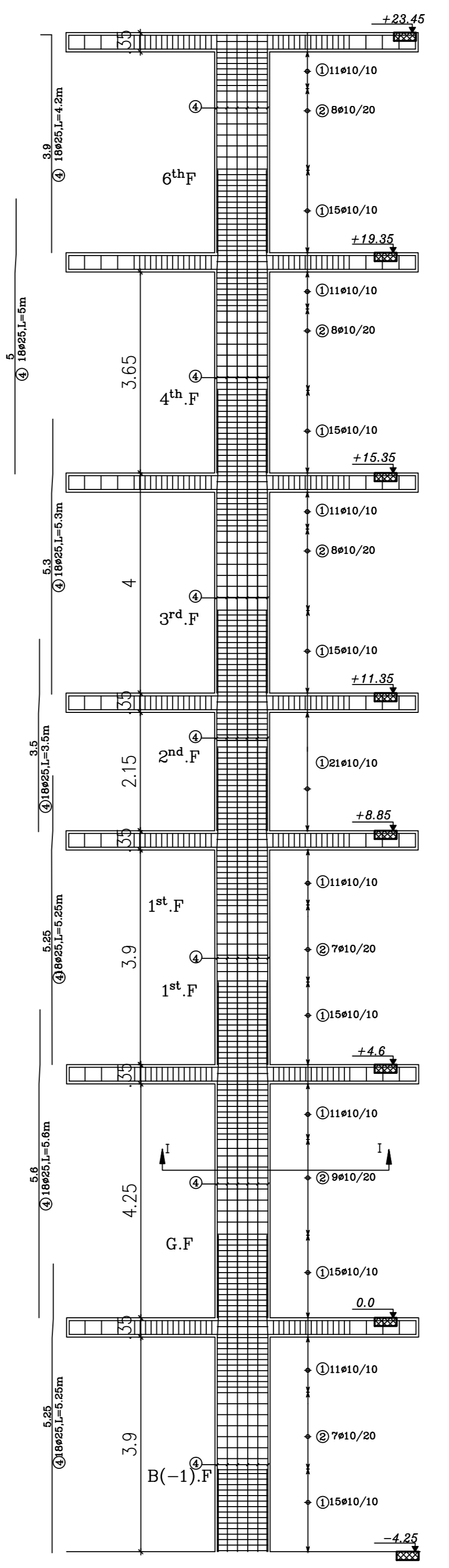
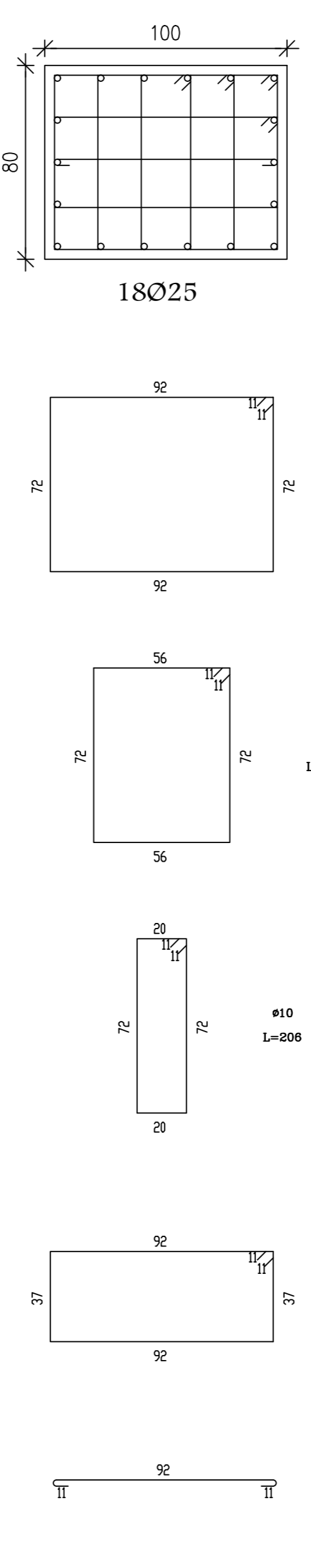
Section H-H



Scale:1/60

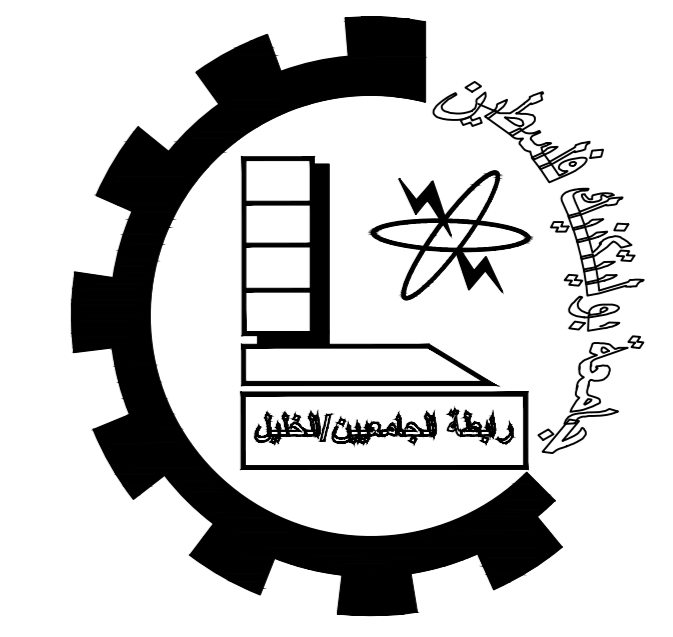
Column detailing G10

Section I-I

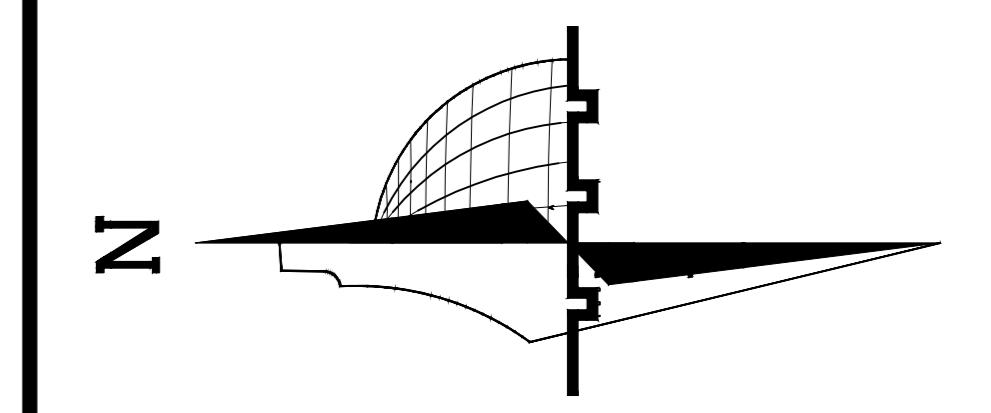


Scale:1/60





Palestine Polytechnic University  
 College of Engineering  
 Civil Engineering Department  
 Civil Engineering  
 Graduation Project  
 Al-Noor Hotel



- Legend :**
- Stone
  - R.Concrete
  - Concrete
  - Hollow Block
  - isolating materials
  - Gravel
  - Wood
  - HEXAGONAL TILES
  - BAKLAVA TILES
  - GRASS

DRAWING TITLE :

COLUMN G11 & 12

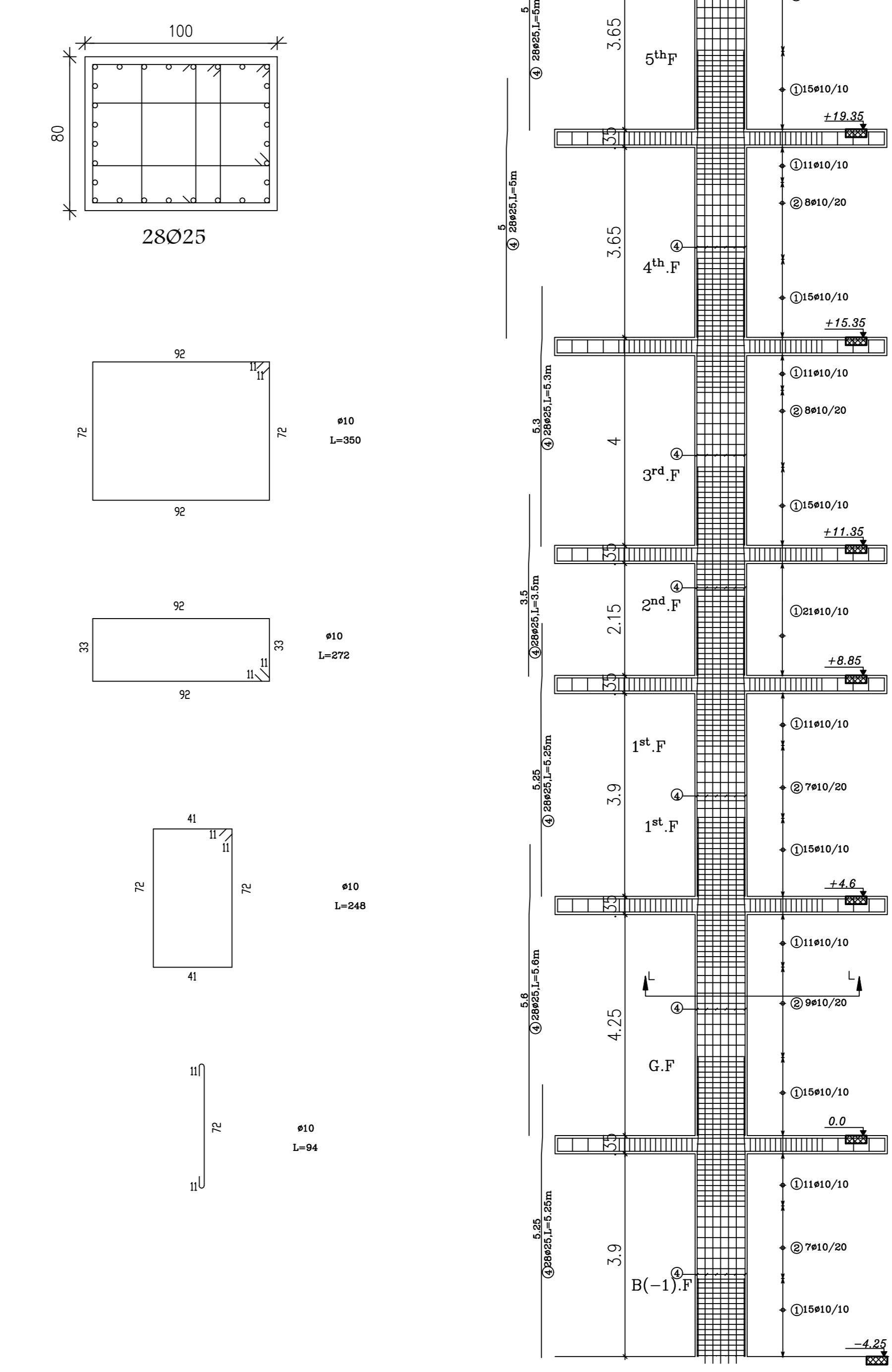
Supervisor  
 Dr. Nasr Abboushi.

Done by :  
 Mohammad zareer  
 Husam Talahmeh

SCALE	No. of DRAW	DATE
1/100	S10	21/01/2024

Column detailing G12

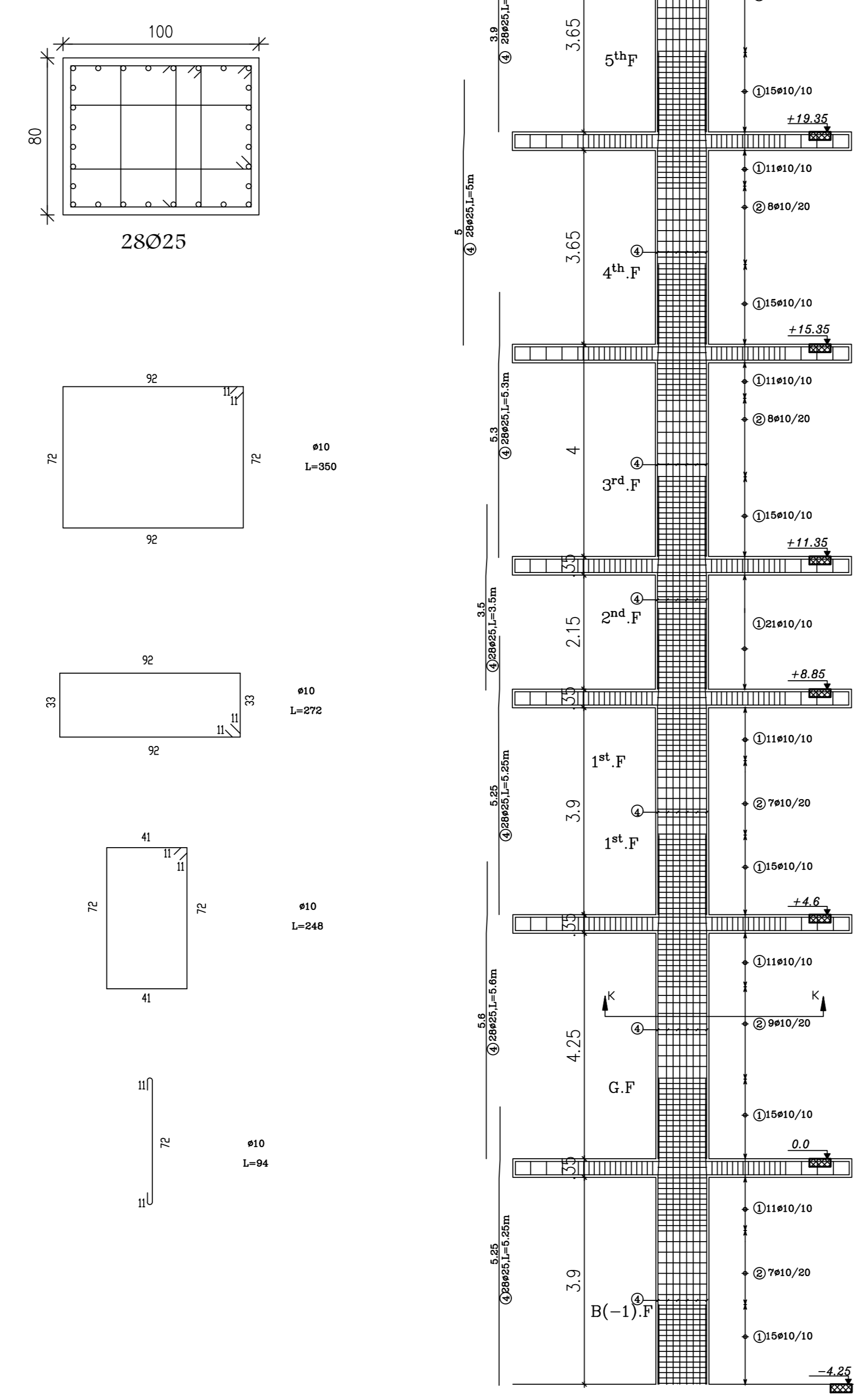
Section L-L



Scale:1/60

Column detailing G12

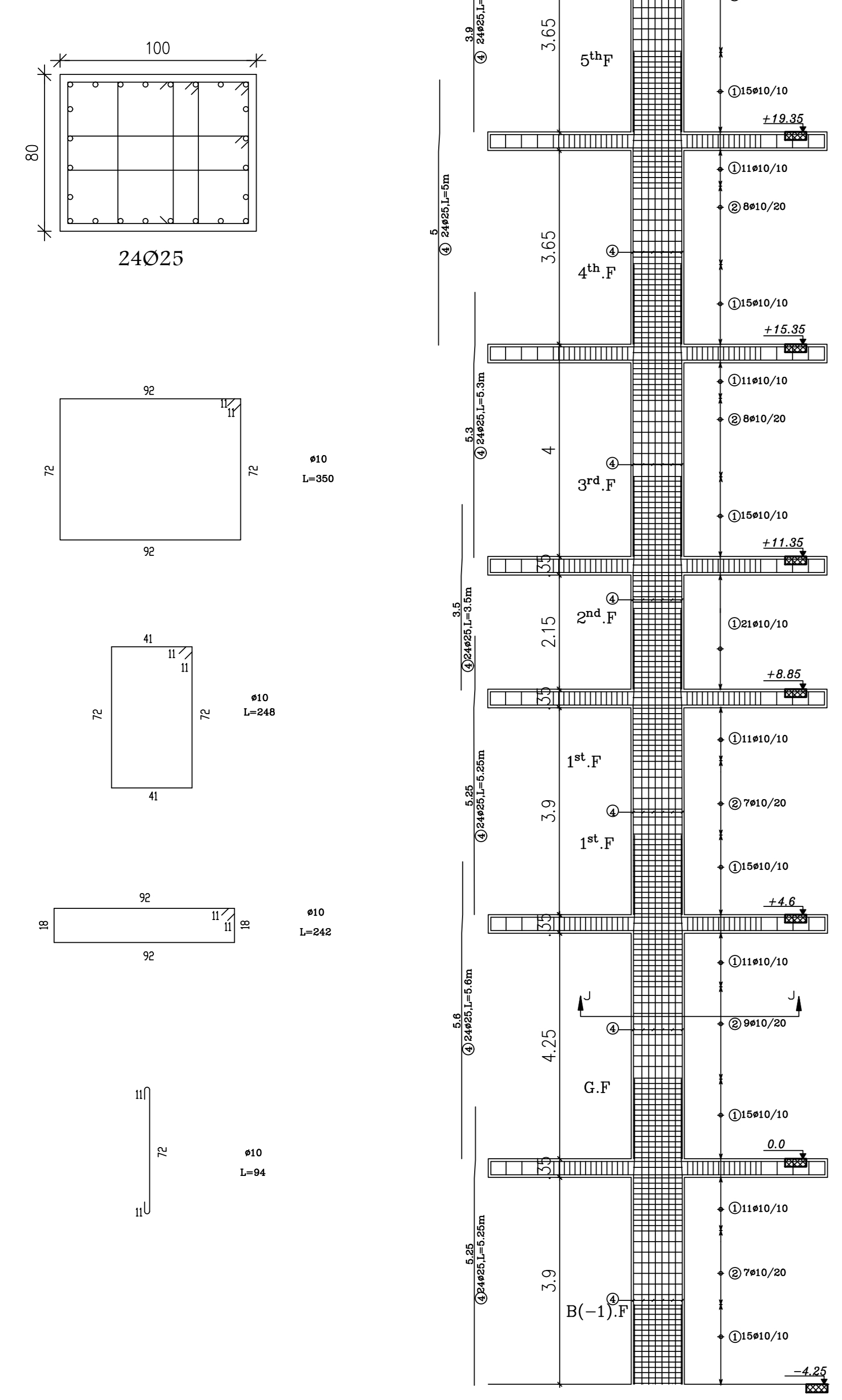
Section K-K



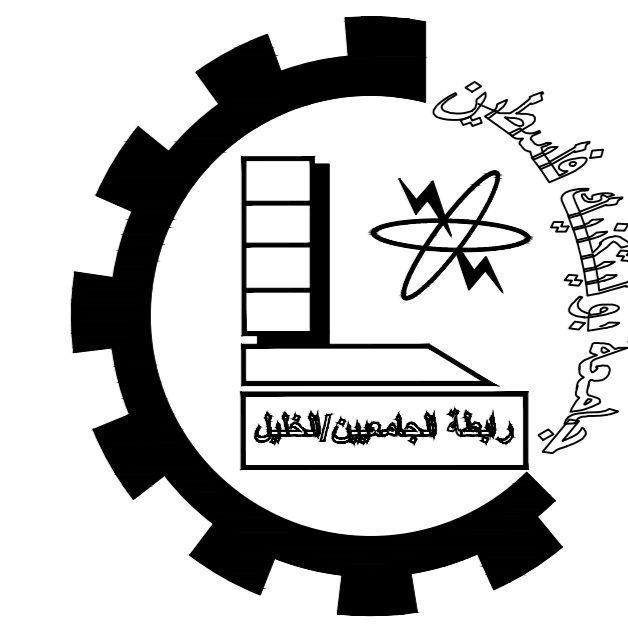
Scale:1/60

Column detailing G11

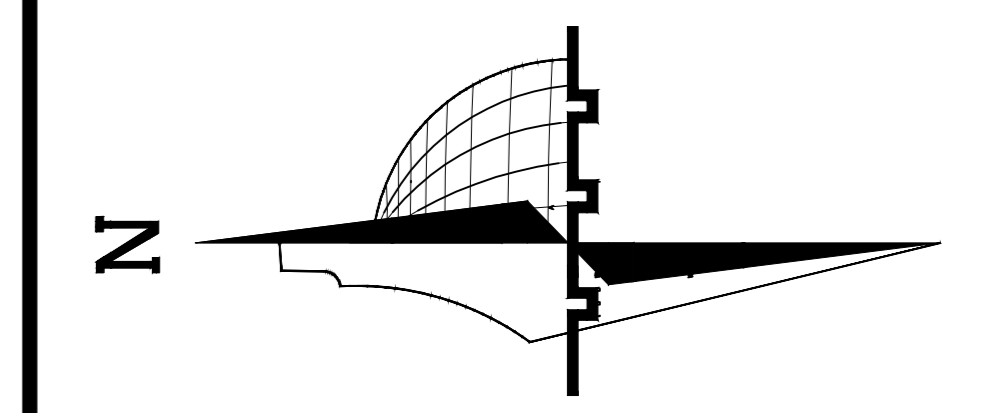
Section J-J



Scale:1/60



Palestine Polytechnic University  
 College of Engineering  
 Civil Engineering Department  
 Civil Engineering  
 Graduation Project  
 Al-Noor Hotel



- Legend :**
- Stone
  - R.Concrete
  - Concrete
  - Hollow Block
  - isolating materials
  - Gravel
  - Wood
  - HEXAGONAL TILES
  - BAKLAVA TILES
  - GRASS

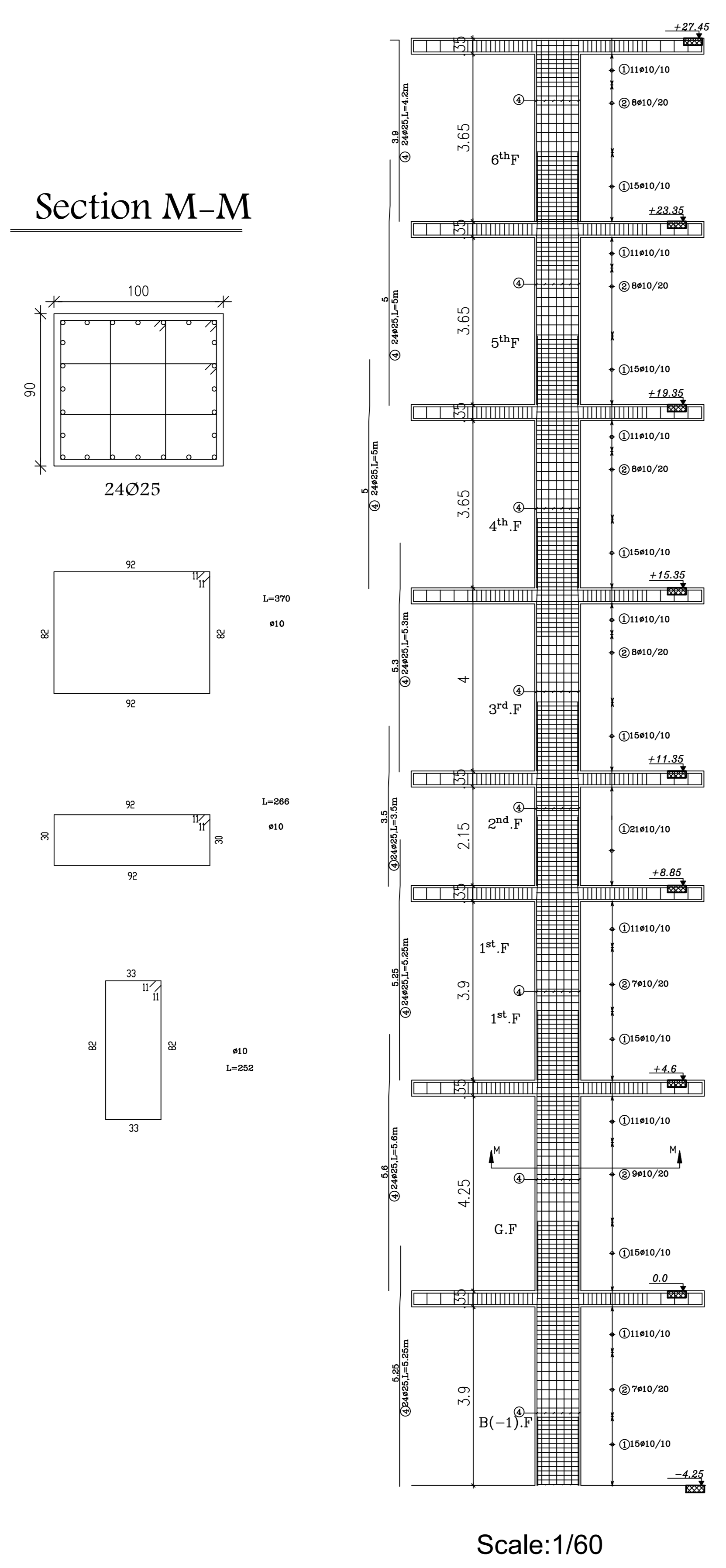
DRAWING TITLE :  
 COLUMN G13 & G14 & G15

Supervisor  
 Dr. Nasr Abboushi.

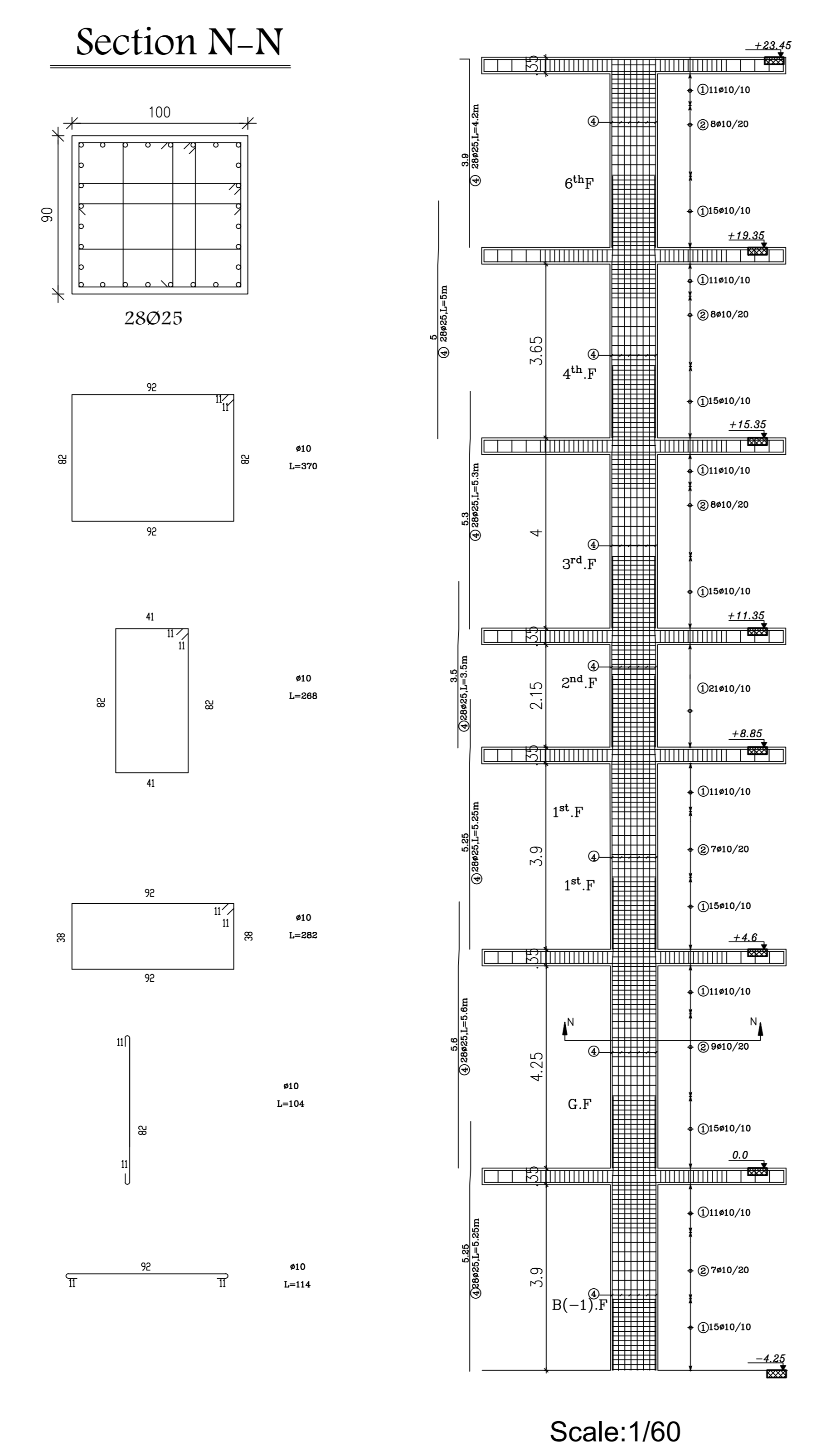
Done by :  
 Mohammad zareer  
 Husam Talahmeh

SCALE	No. of DRAW	DATE
1/100	S11	21/01/2024

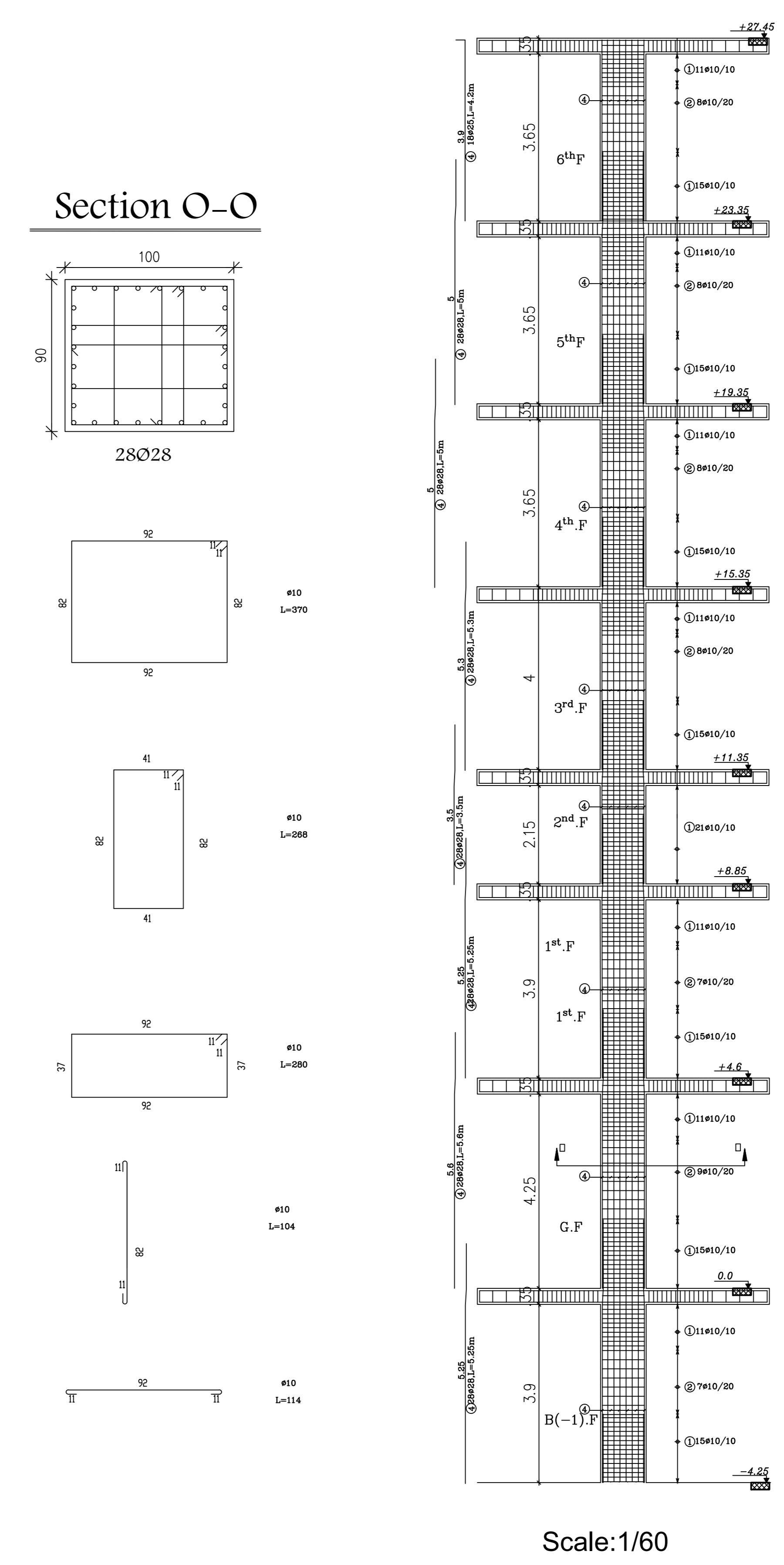
Column detailing G13



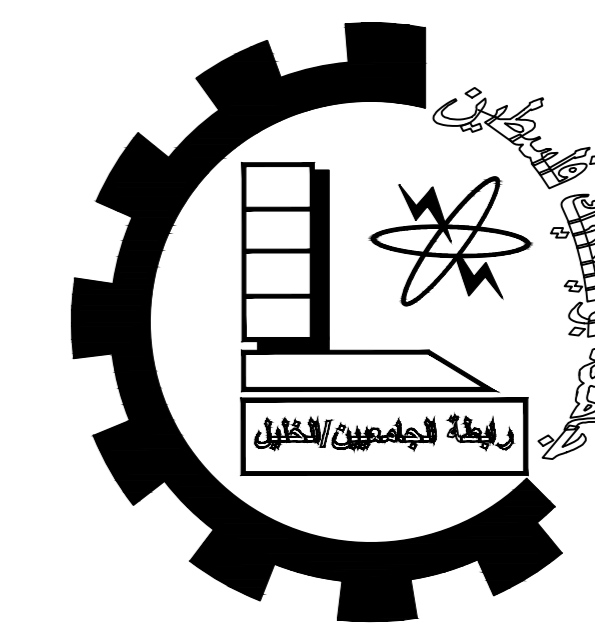
Column detailing G14



Column detailing G15







Palestine Polytechnic University

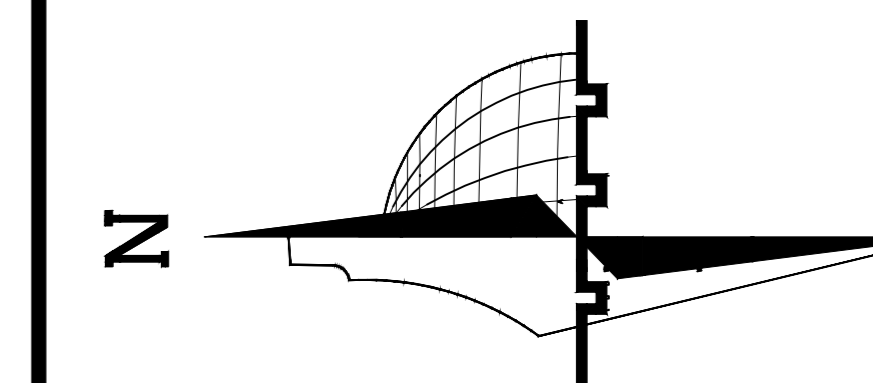
College of Engineering

Civil Engineering Department

Civil Engineering

Graduation Project

Al-Noor Hotel



**Legend :**

- Stone
- R.Concrete
- Concrete
- Hollow Block
- isolating materiales
- Gravel
- Wood
- HEXAGONAL TILES
- BAKLAVA TILES
- GRASS

DRAWING TITLE :

FRAME REINFORCEMENT

Supervisor

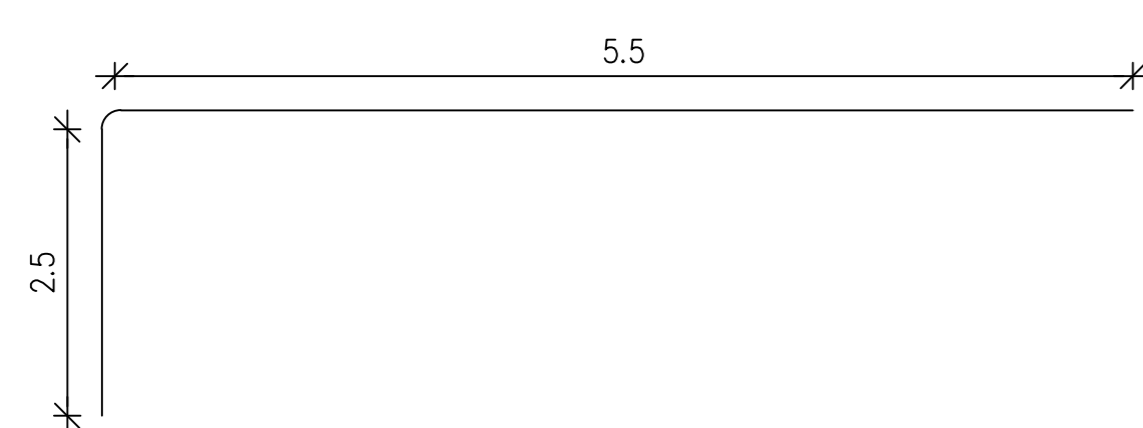
Dr. Nasr Abboushi.

Done by :

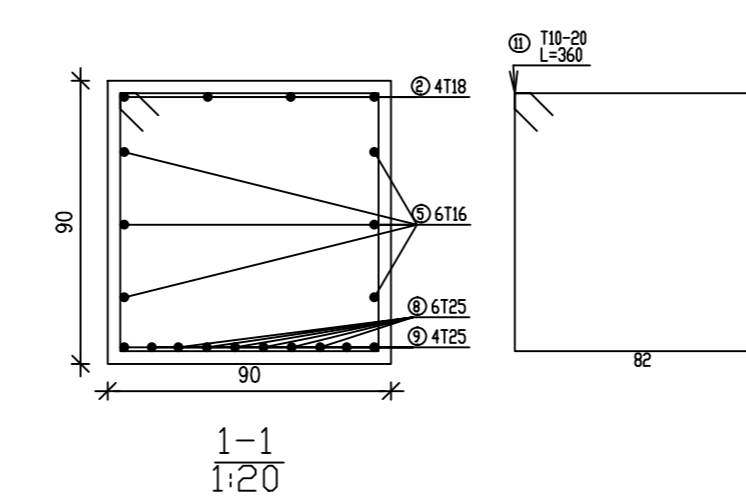
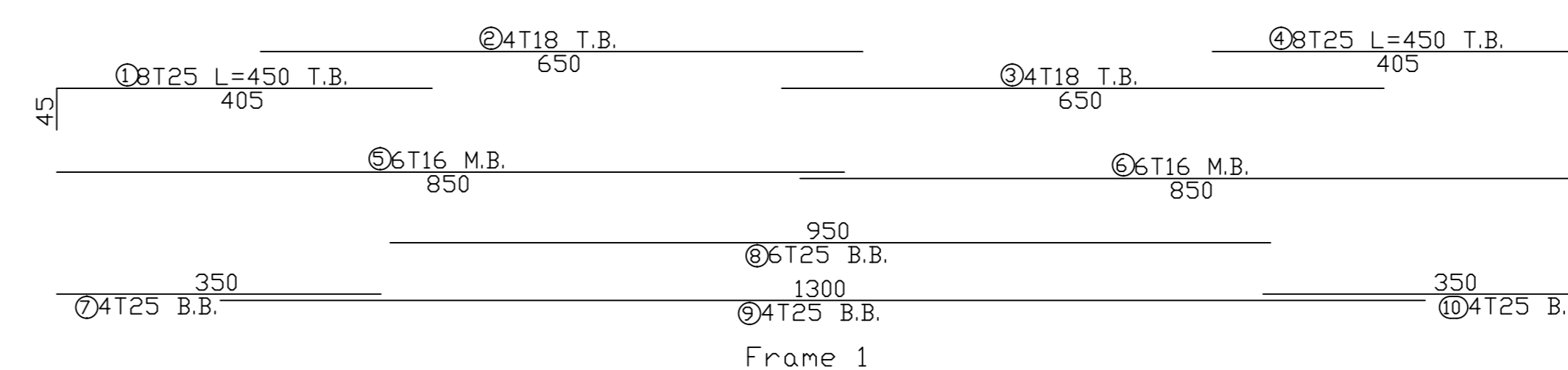
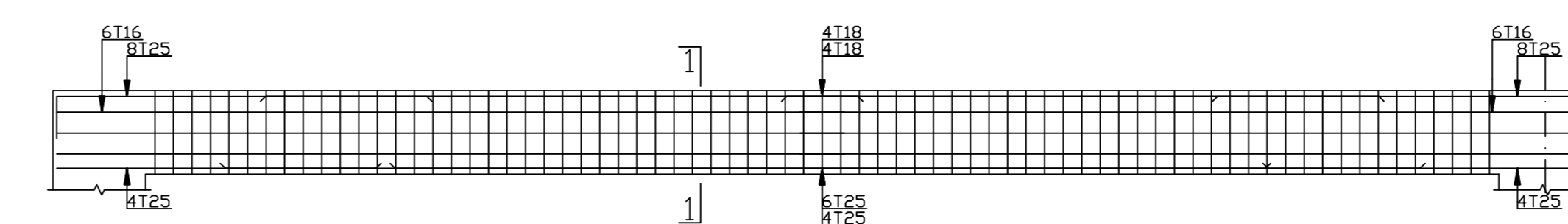
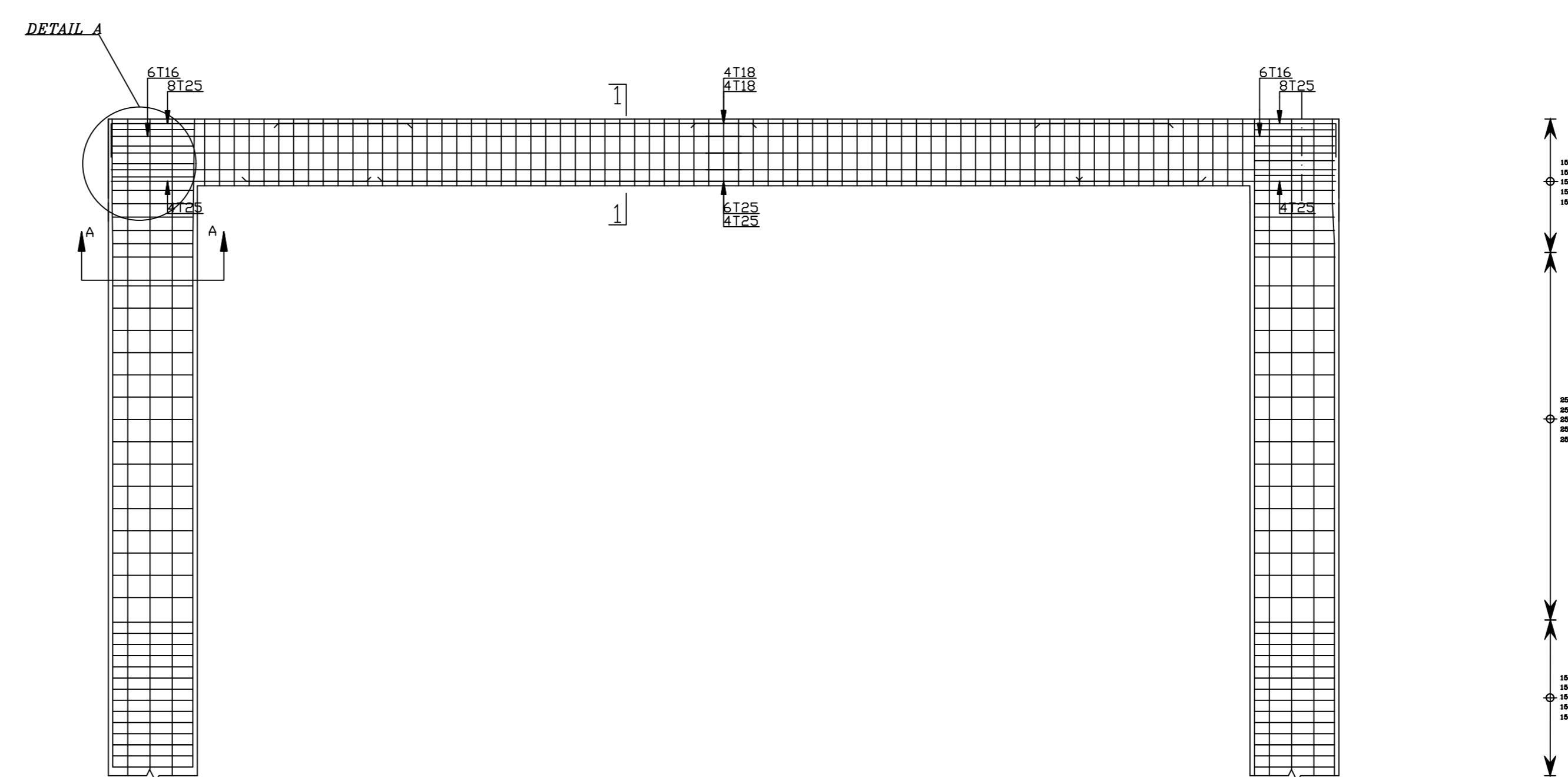
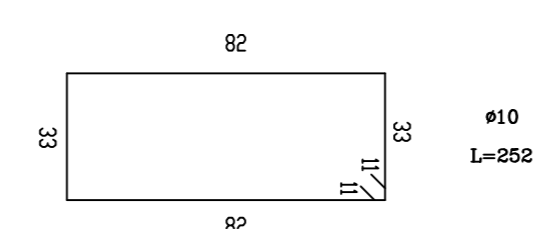
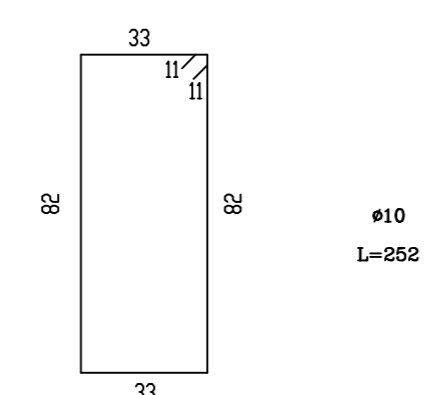
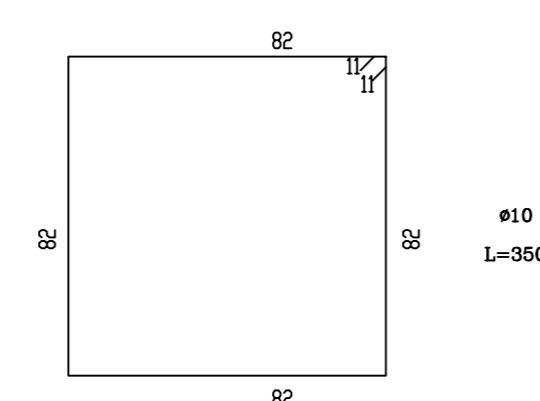
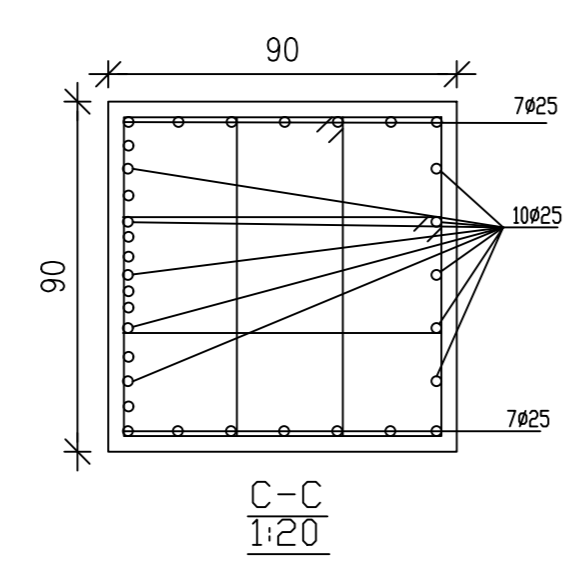
Mohammad zareer

Husam Talahmeh

SCALE	No. of DRAW	DATE
1/100	S12	21/01/2024



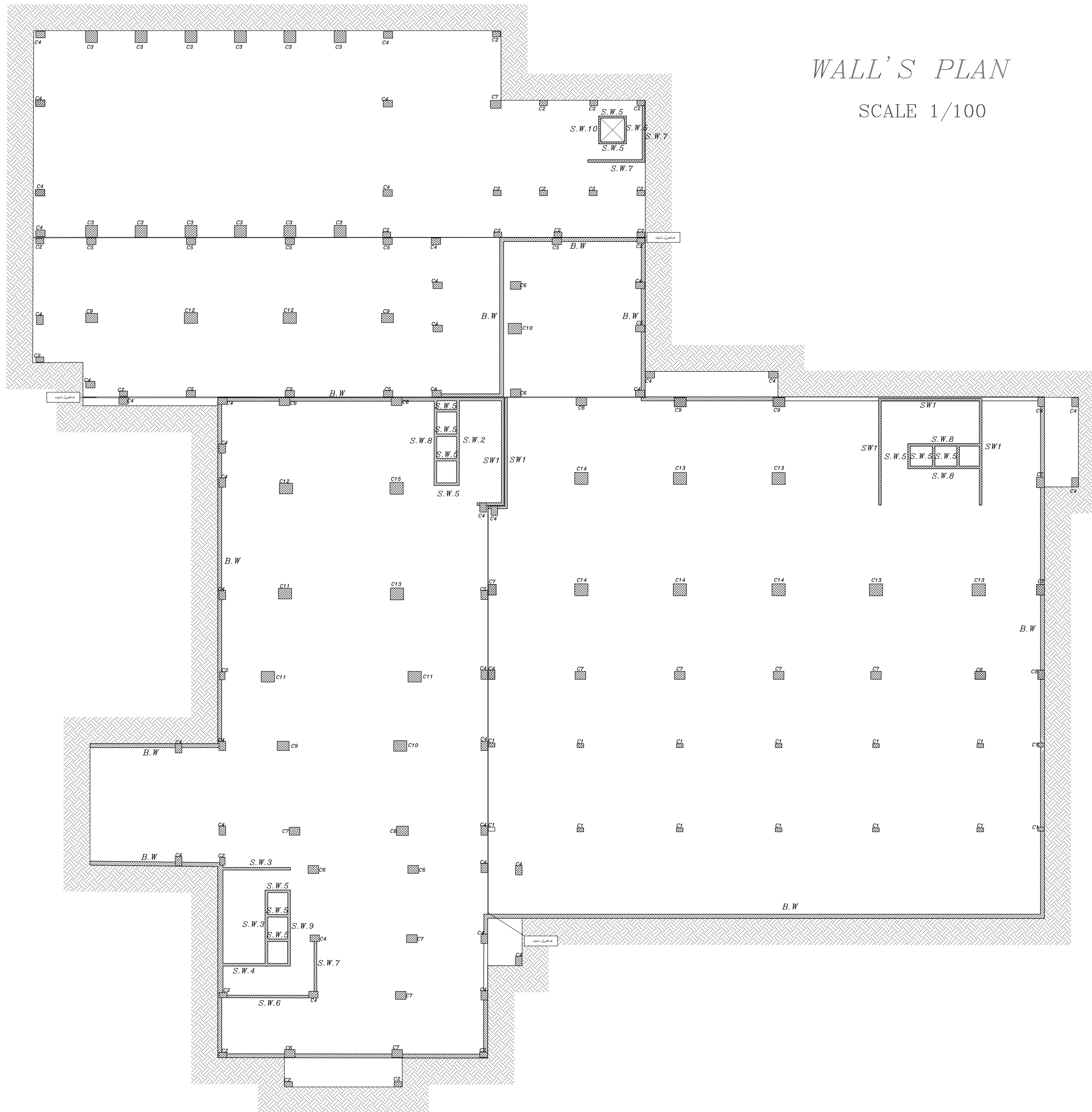
DETAIL A



Notes:

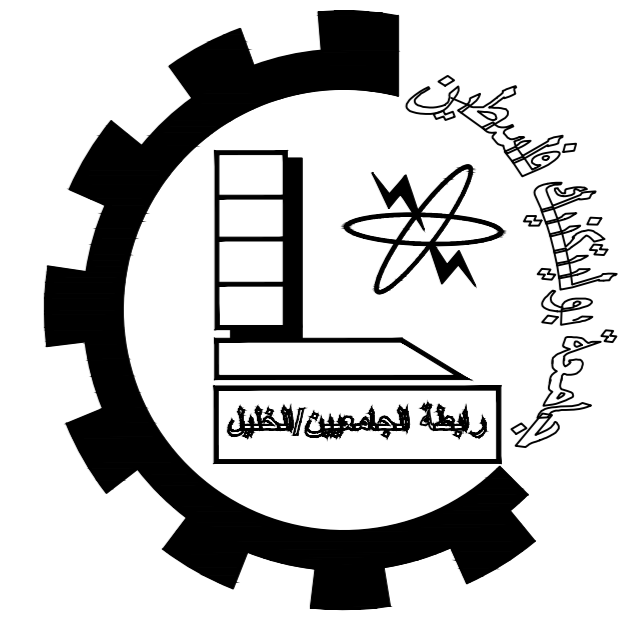
The thickness of all walls is 30 cm

- SW1 (8\*0.3) m
- SW2 (6.7\*0.3)m
- SW3 (5.5\*0.3)m
- SW4 (3.7\*0.3)m
- SW5 (1.9\*0.3)m
- SW6 (5.5\*0.3)m
- SW7 (3.7\*0.3)m
- SW8 (5.7\*0.3)m
- SW9 (3.8\*0.3)m
- SW10(1.9\*0.3)m



WALL'S PLAN

SCALE 1/100



Palestine Polytechnic University

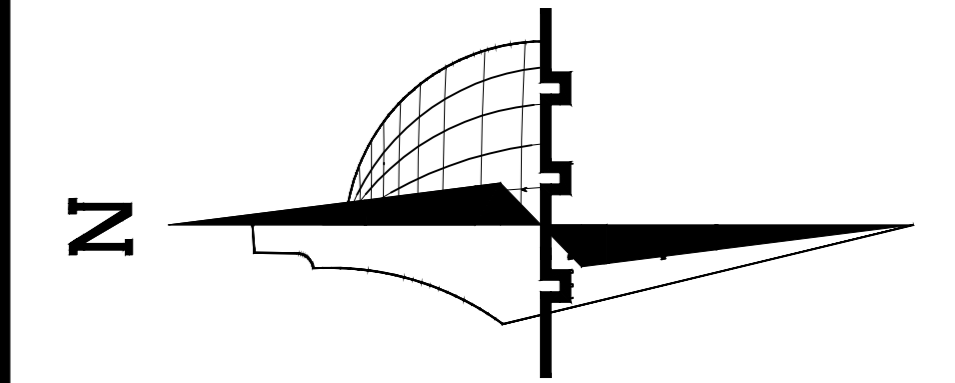
College of Engineering

Civil Engineering Department

Civil Engineering

Graduation Project

Al-Noor Hotel



Legend :

- Stone
- Gravel
- R.Concrete
- Wood
- Concrete
- HEXAGONAL TILES
- Hollow Block
- BAKLAVA TILES
- isolating materiales
- GRASS

DRAWING TITLE :

COLUMN'S PLAN

Supervisor

Dr. Nasr Abboushi.

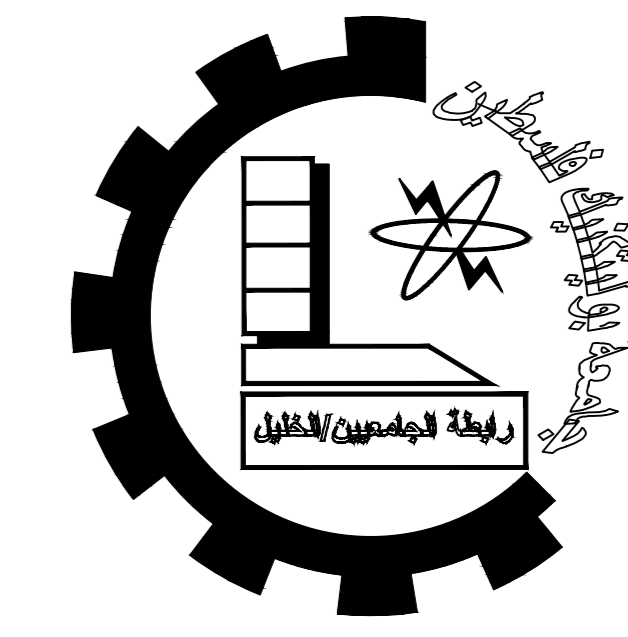
Done by :

Mohammad zareer

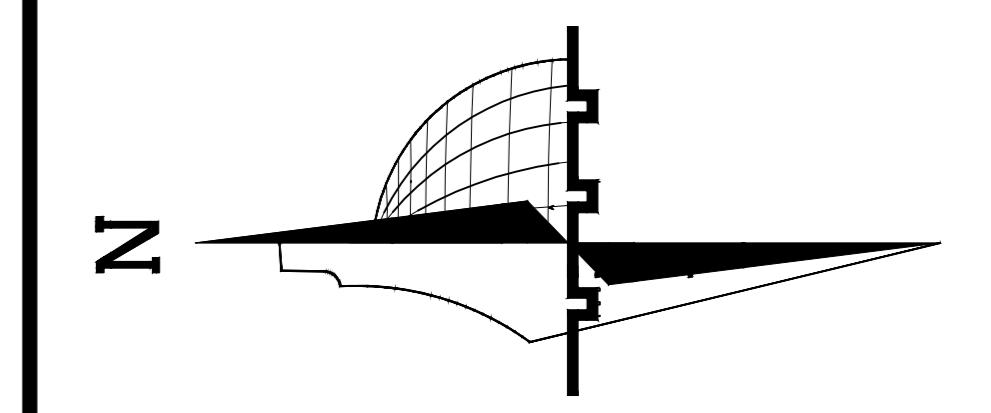
Husam Talahmeh

SCALE	No. of DRAW	DATE
1/100	S13	21/01/2024





Palestine Polytechnic University  
 College of Engineering  
 Civil Engineering Department  
 Civil Engineering  
 Graduation Project  
 Al-Noor Hotel



**Legend :**

- Stone
- R.Concrete
- Concrete
- Hollow Block
- isolating materials
- Gravel
- Wood
- HEXAGONAL TILES
- BAKLAVA TILES
- GRASS

DRAWING TITLE :

shear wall

Supervisor

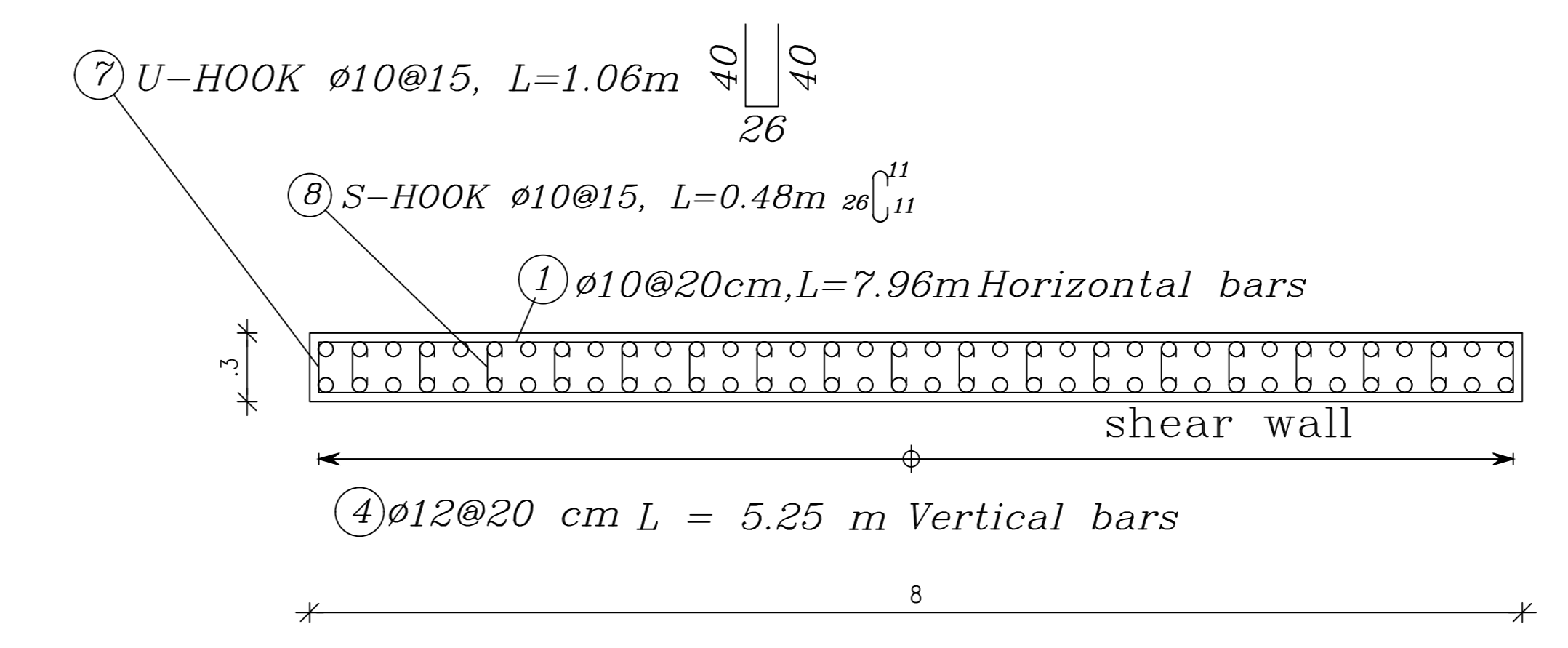
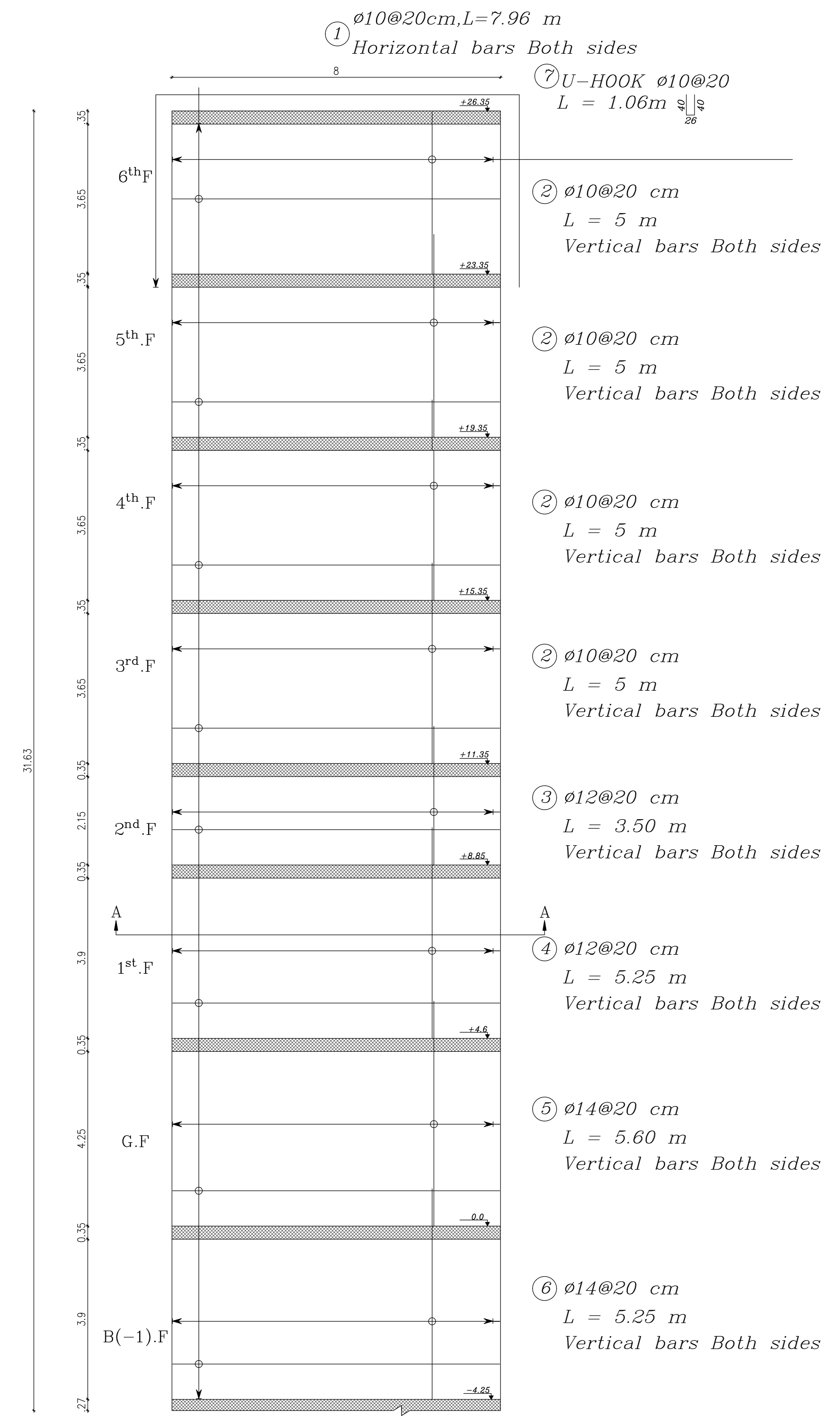
Dr. Nasr Abboushi.

Done by :

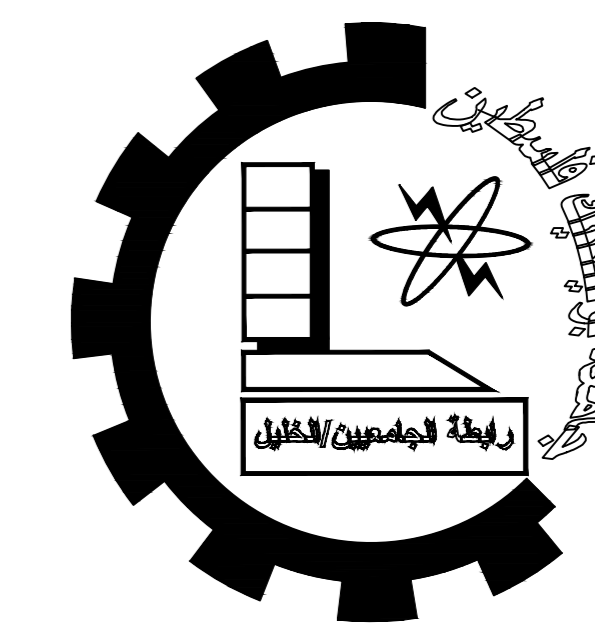
Mohammad zareer

Husam Talahmeh

SCALE	No. of DRAW	DATE
1/100	S14	21/01/2024



S.W.1  
 SCALE 1:30



Palestine Polytechnic University

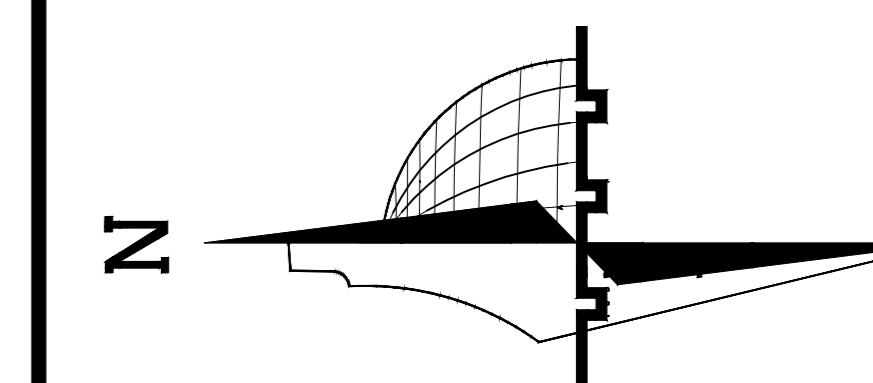
College of Engineering

Civil Engineering Department

Civil Engineering

Graduation Project

Al-Noor Hotel



**Legend :**

- Stone
- R.Concrete
- Concrete
- Hollow Block
- isolating materials
- Gravel
- Wood
- HEXAGONAL TILES
- BAKLAVA TILES
- GRASS

DRAWING TITLE :

shear wall

Supervisor

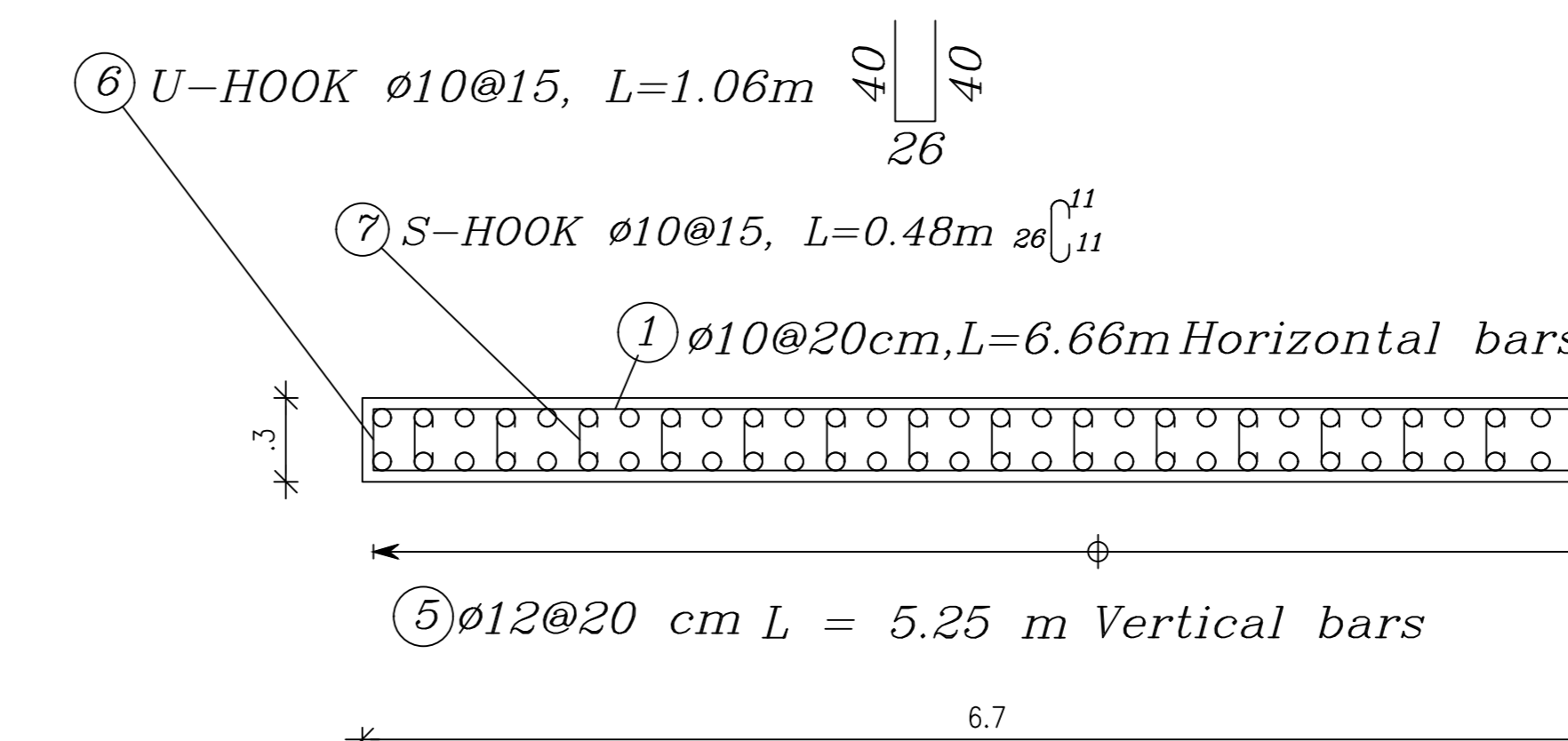
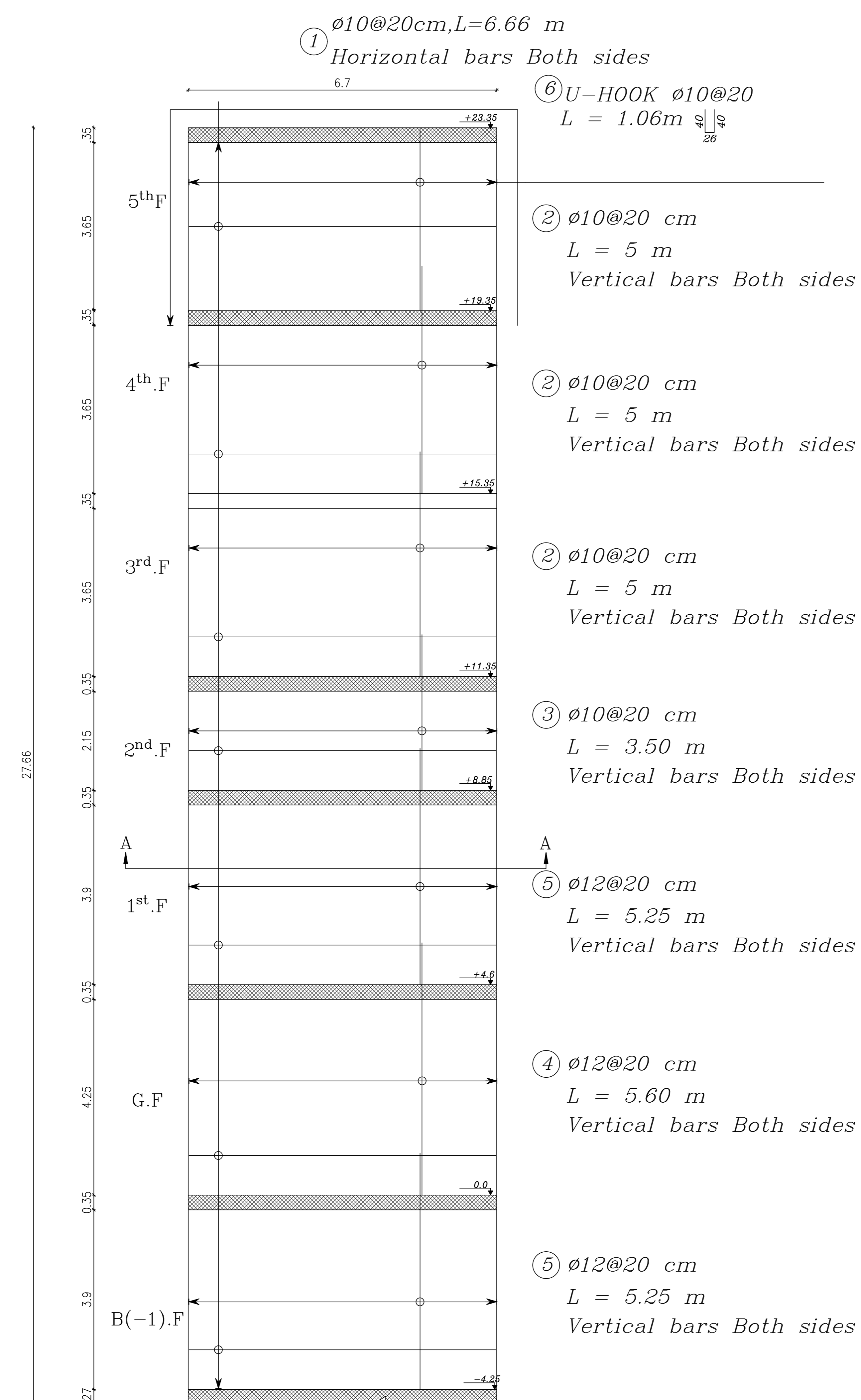
Dr. Nasr Abboushi.

Done by :

Mohammad zareer

Husam Talahmeh

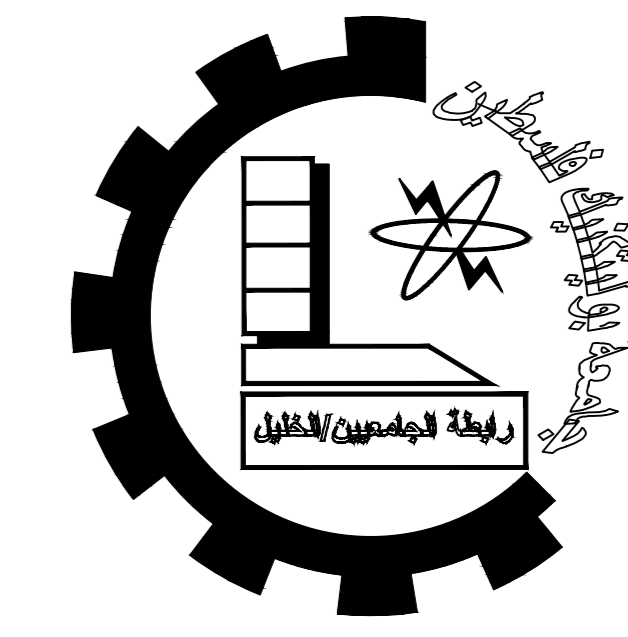
SCALE	No. of DRAW	DATE
1/100	S15	21/01/2024



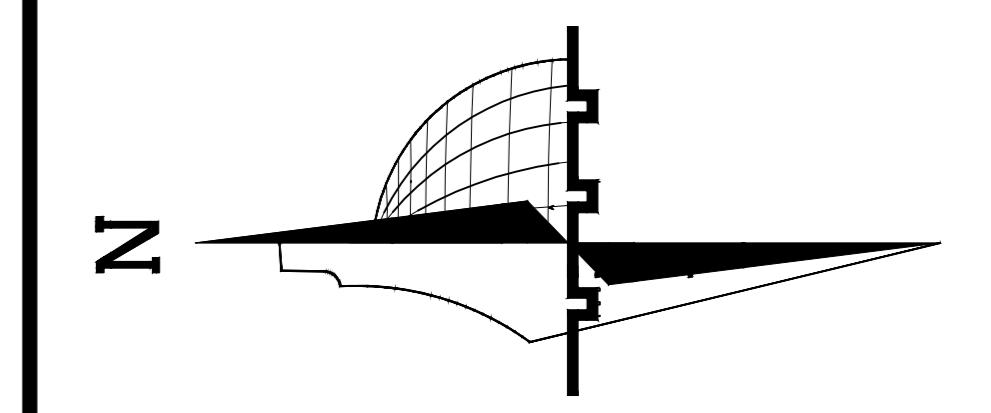
S.W.2

SCALE 1:30





Palestine Polytechnic University  
 College of Engineering  
 Civil Engineering Department  
 Civil Engineering  
 Graduation Project  
 Al-Noor Hotel



**Legend :**

- Stone
- R.Concrete
- Concrete
- Hollow Block
- isolating materials
- Gravel
- Wood
- HEXAGONAL TILES
- BAKLAVA TILES
- GRASS

DRAWING TITLE :

shear wall

Supervisor

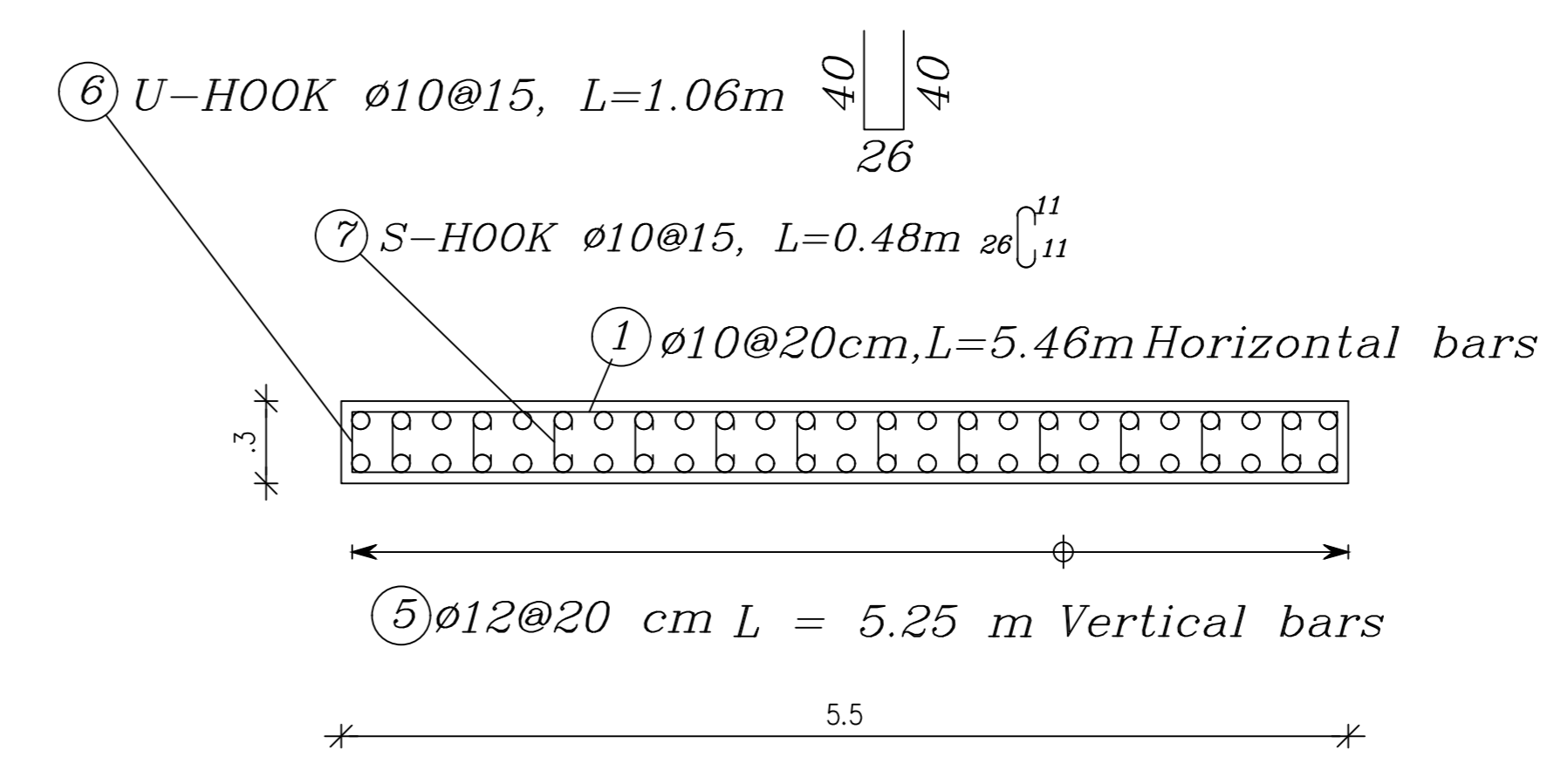
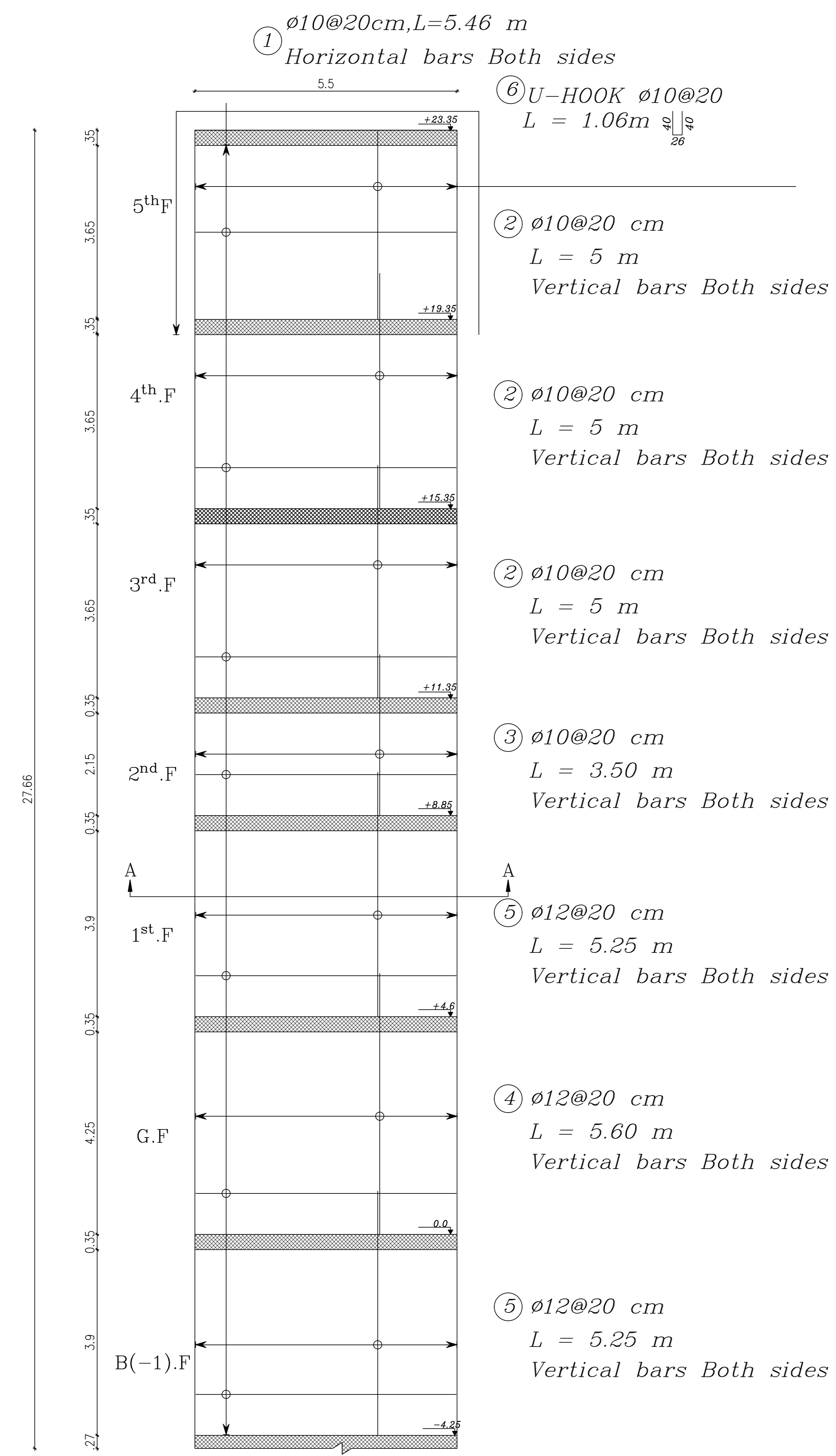
Dr. Nasr Abboushi.

Done by :

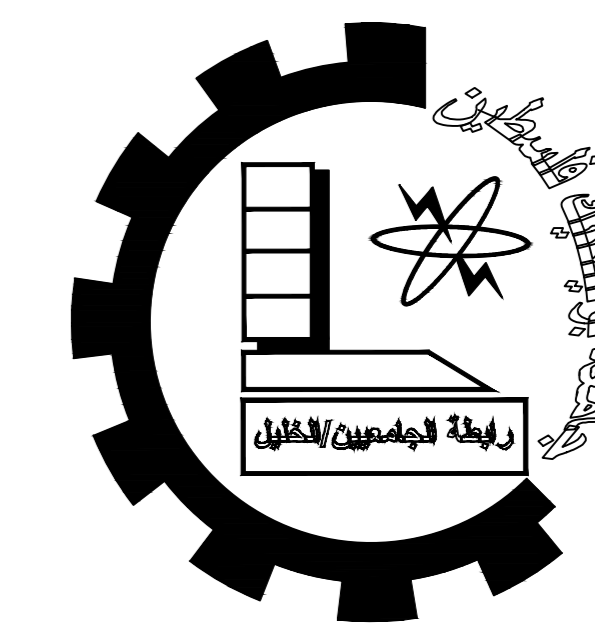
Mohammad zareer

Husam Talahmeh

SCALE	No. of DRAW	DATE
1/100	S16	21/01/2024



S.W.3  
 SCALE 1:30



Palestine Polytechnic University

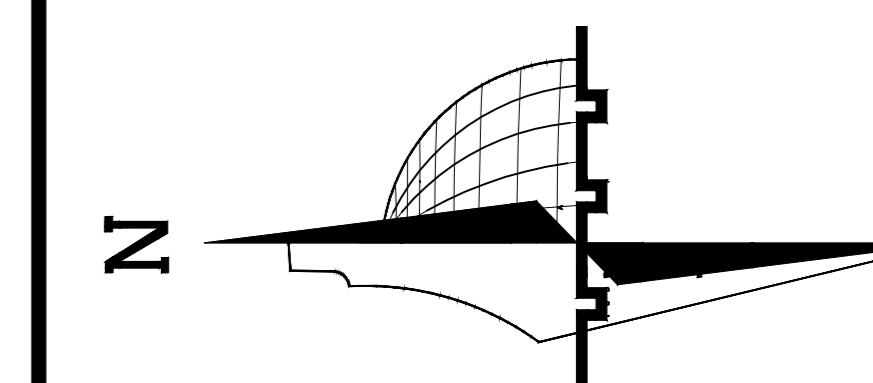
College of Engineering

Civil Engineering Department

Civil Engineering

Graduation Project

Al-Noor Hotel



**Legend :**

- Stone
- R.Concrete
- Concrete
- Hollow Block
- isolating materials
- Gravel
- Wood
- HEXAGONAL TILES
- BAKLAVA TILES
- GRASS

DRAWING TITLE :

shear wall

Supervisor

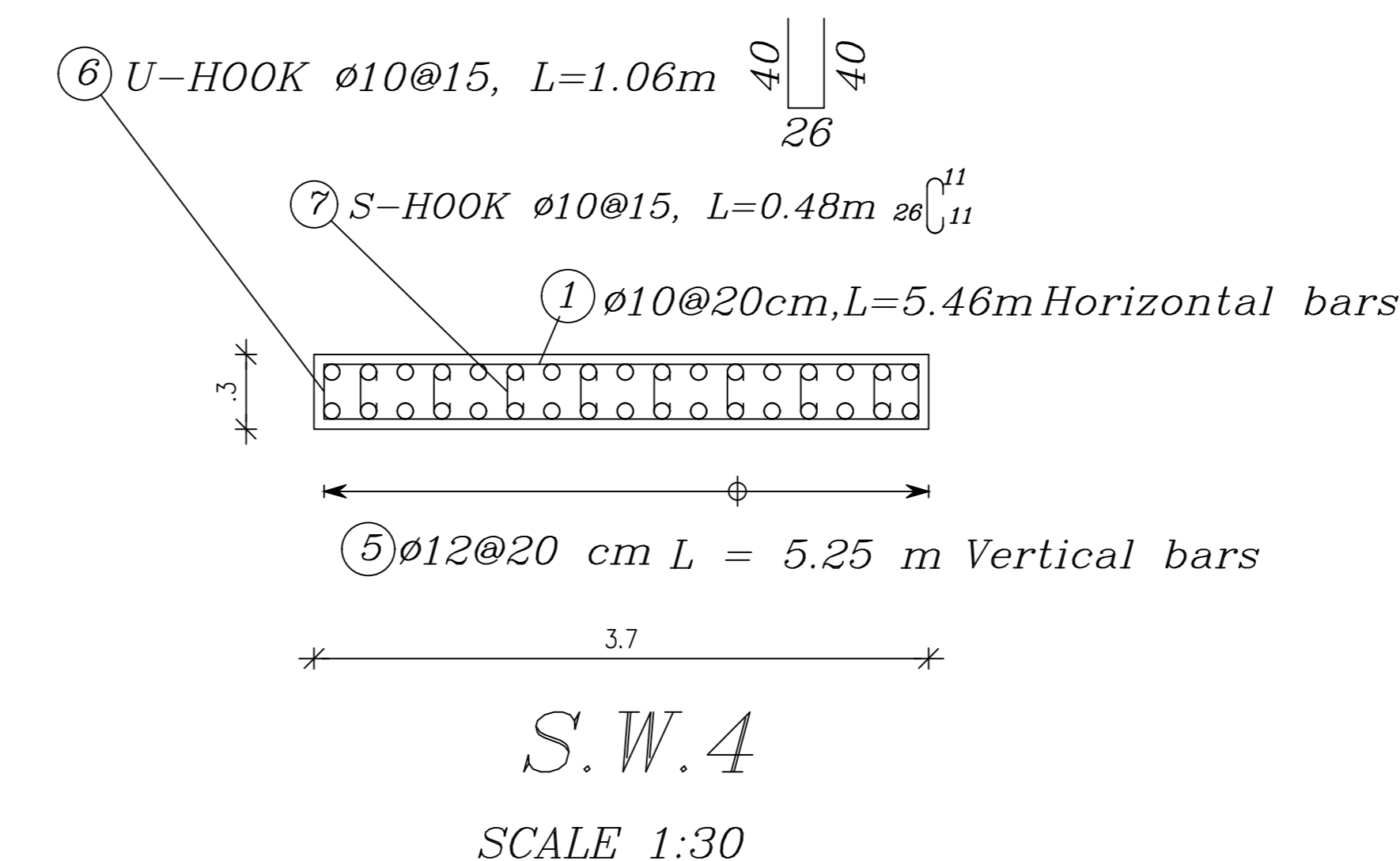
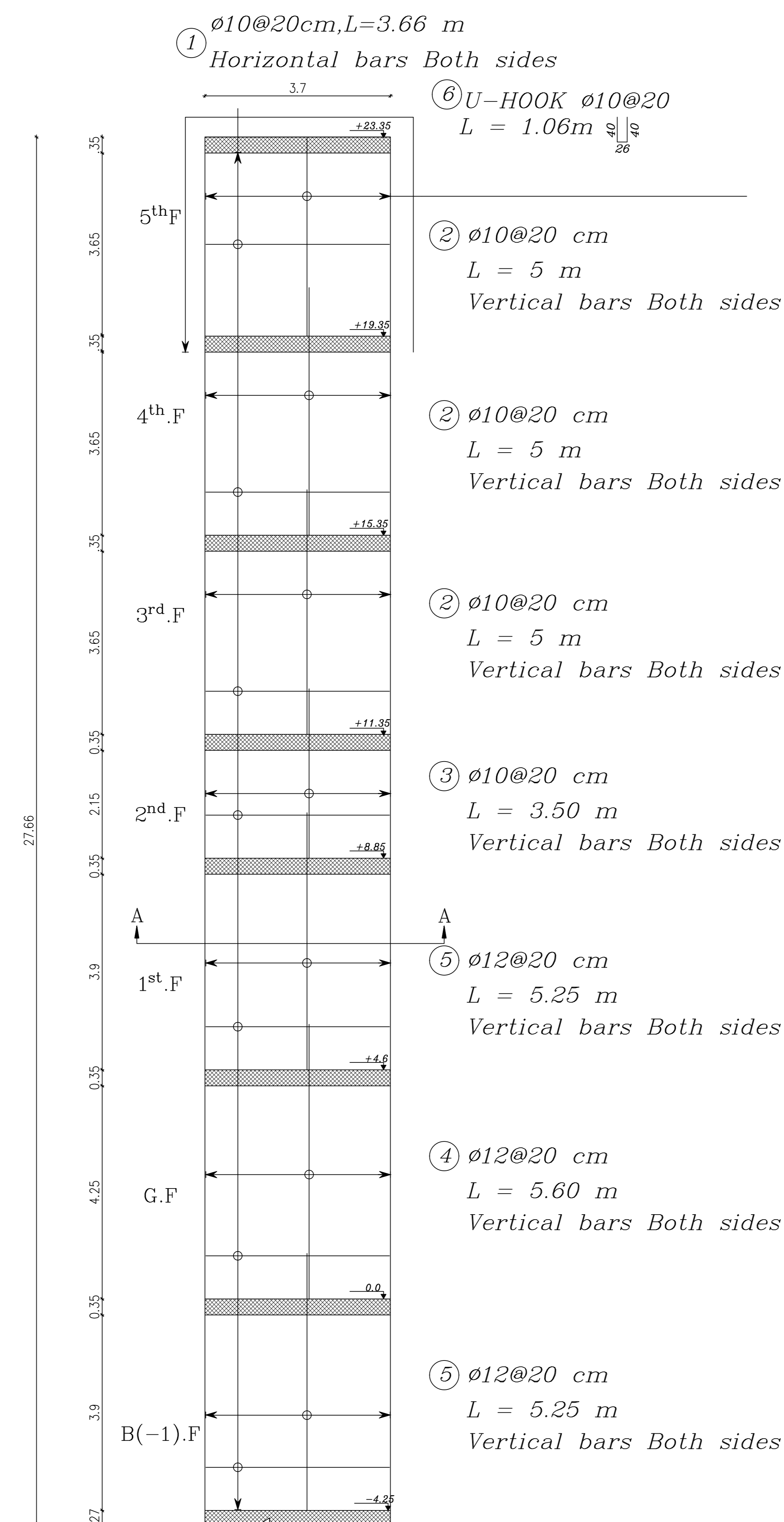
Dr. Nasr Abboushi.

Done by :

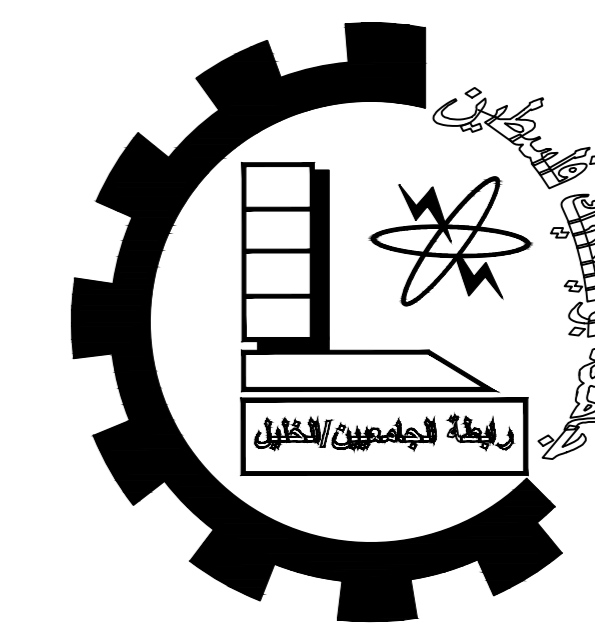
Mohammad zareer

Husam Talahmeh

SCALE	No. of DRAW	DATE
1/100	S17	21/01/2024







Palestine Polytechnic University

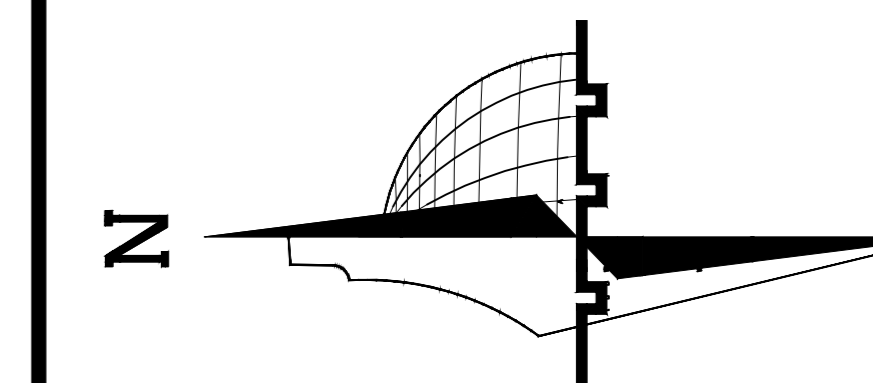
College of Engineering

Civil Engineering Department

Civil Engineering

Graduation Project

Al-Noor Hotel



**Legend :**

- Stone
- R.Concrete
- Concrete
- Hollow Block
- isolating materiales
- Gravel
- Wood
- HEXAGONAL TILES
- BAKLAVA TILES
- GRASS

DRAWING TITLE :

shear wall

Supervisor

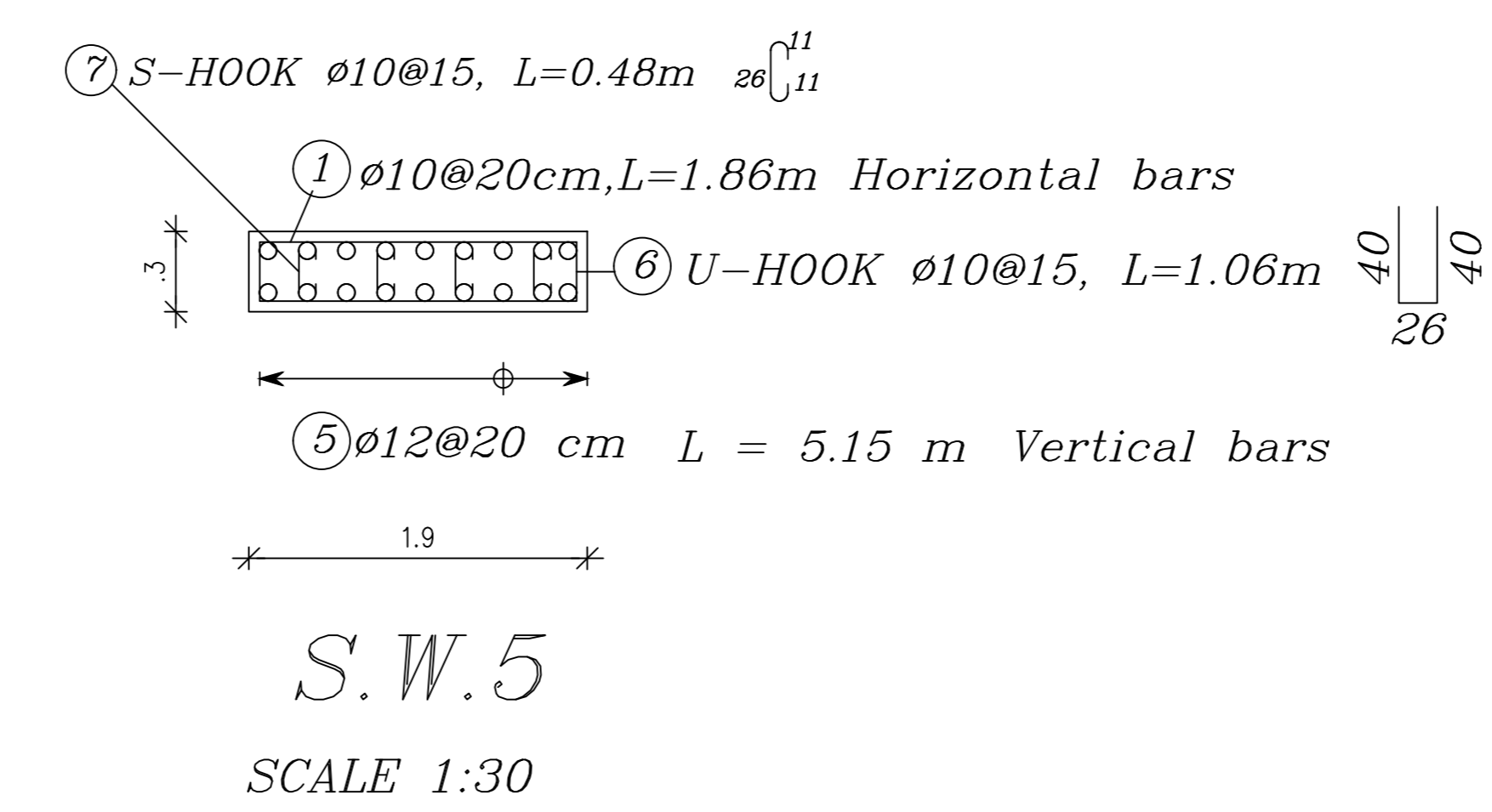
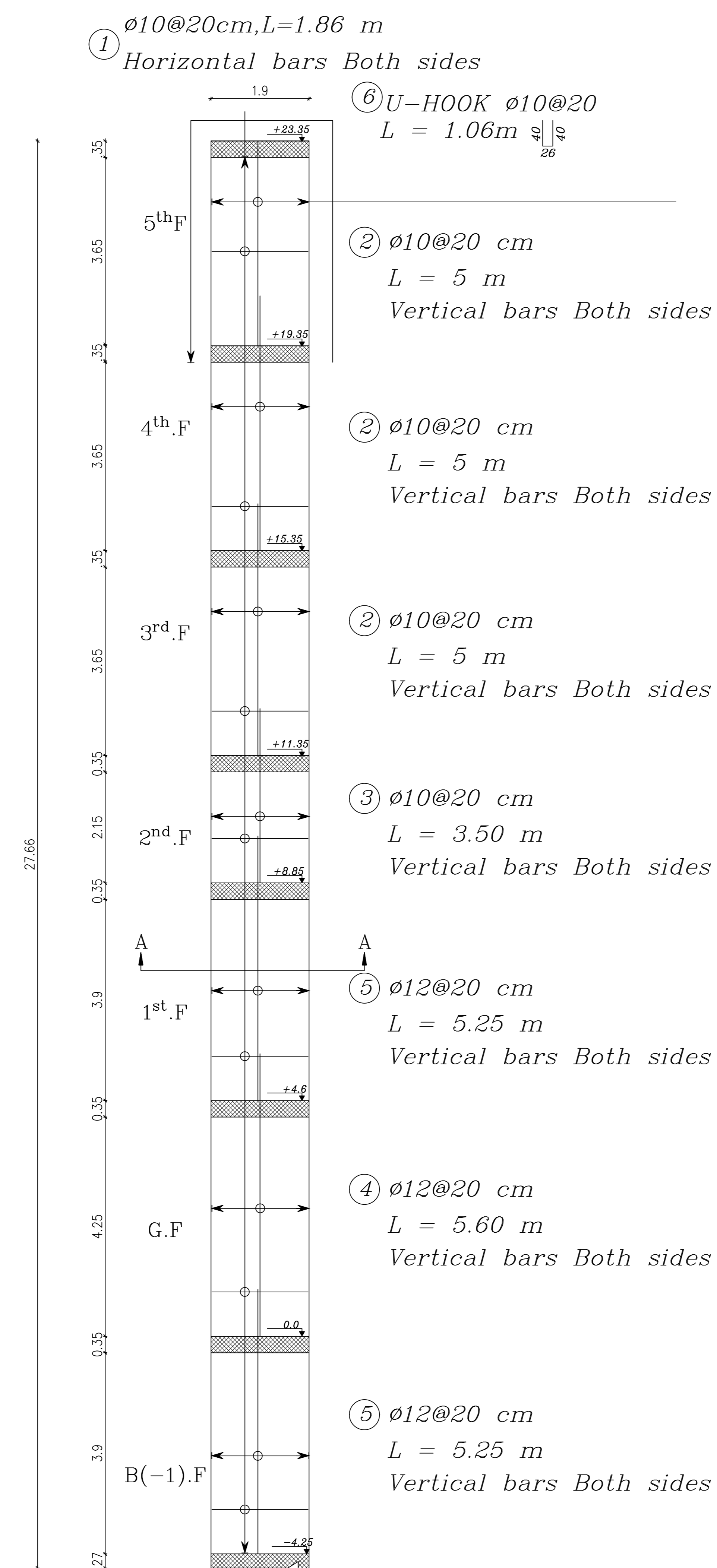
Dr. Nasr Abboushi.

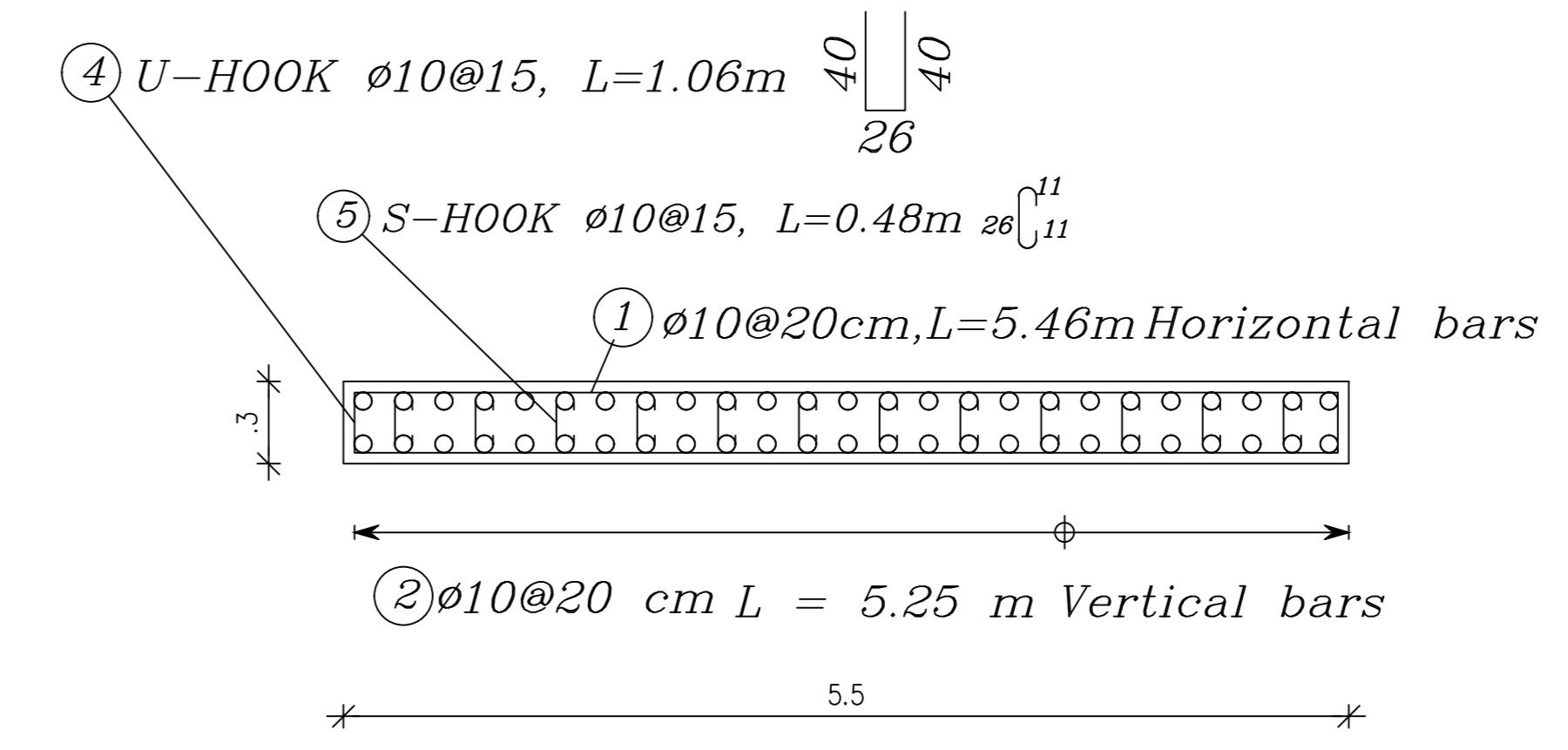
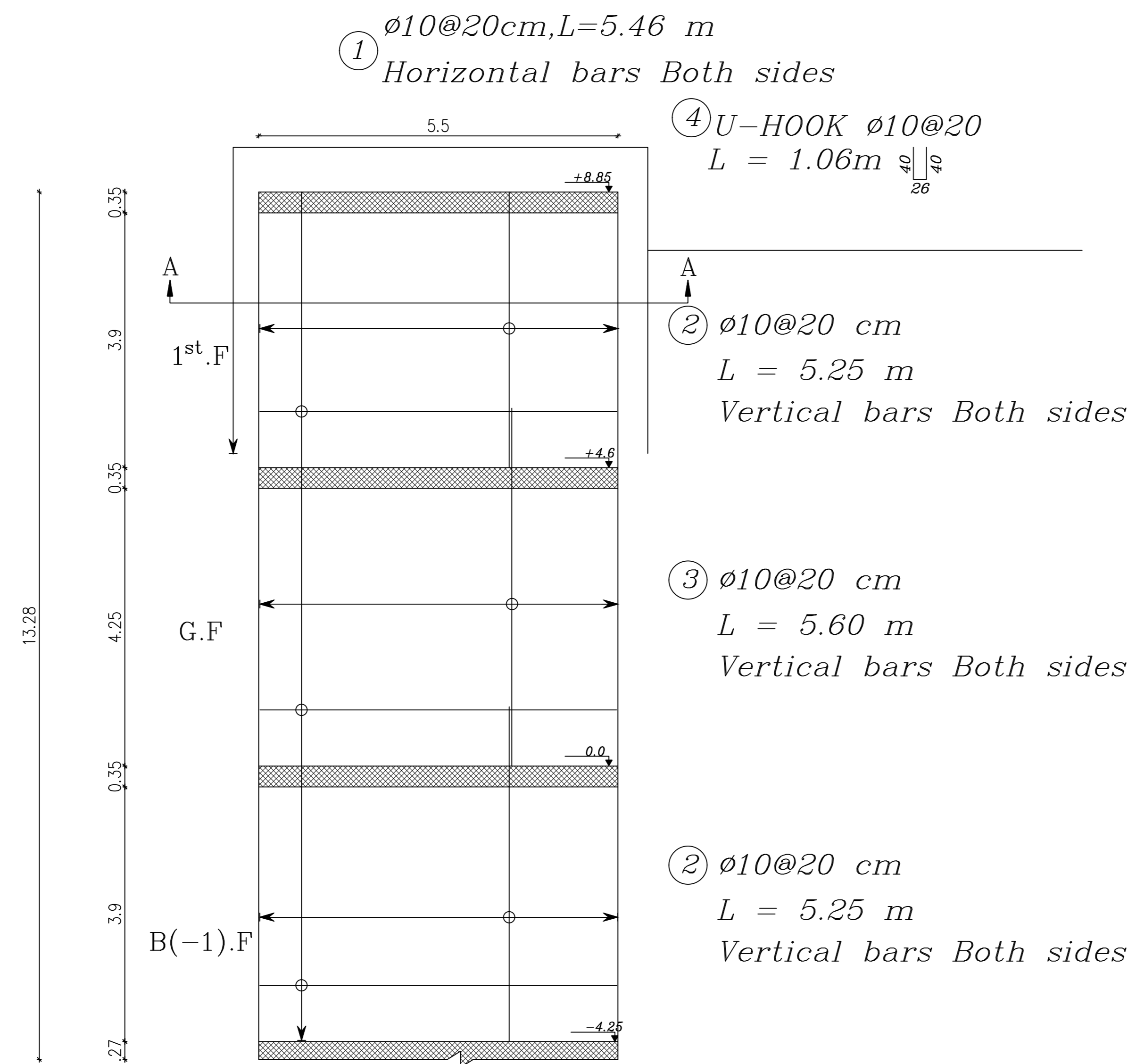
Done by :

Mohammad zareer

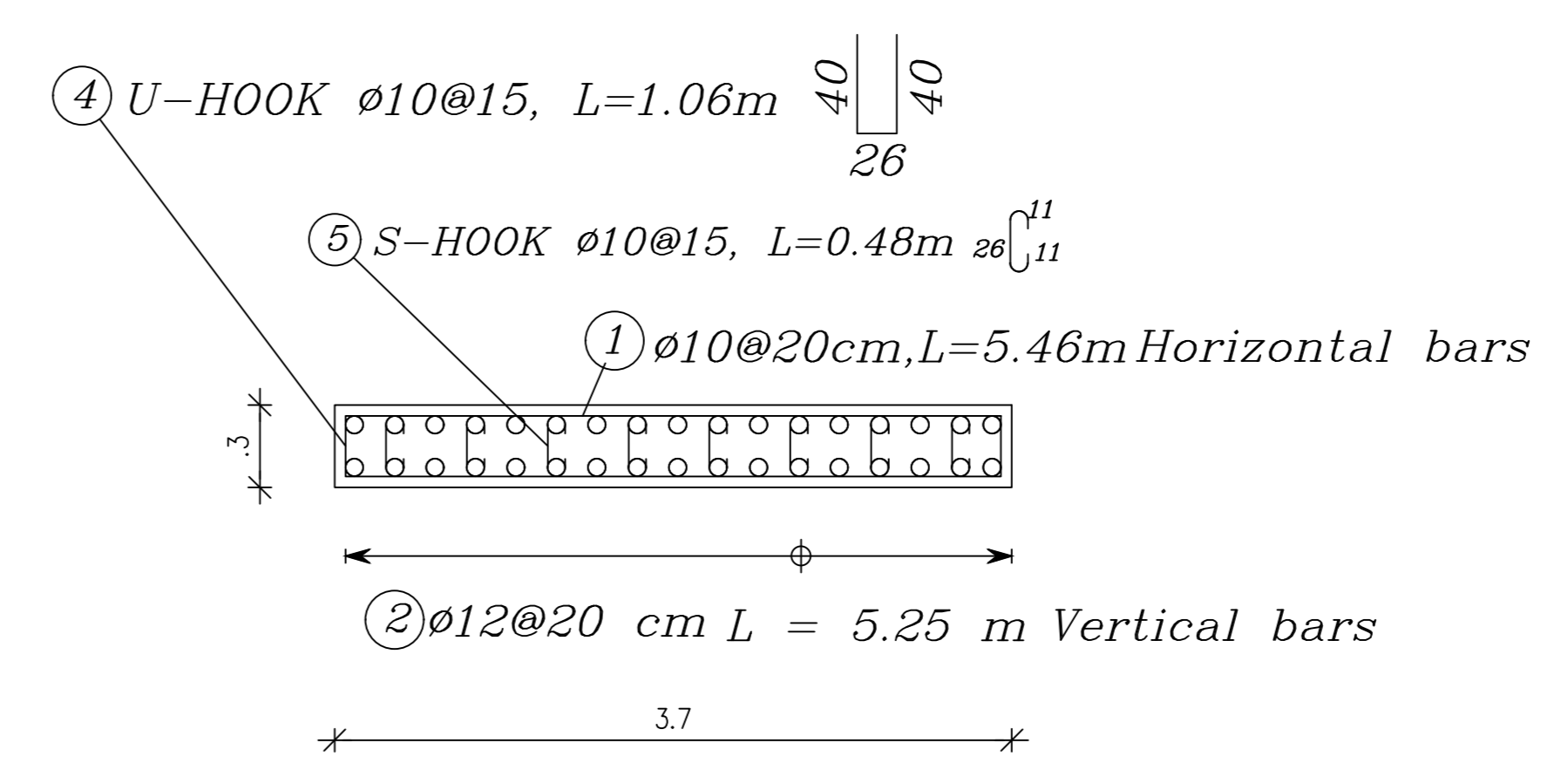
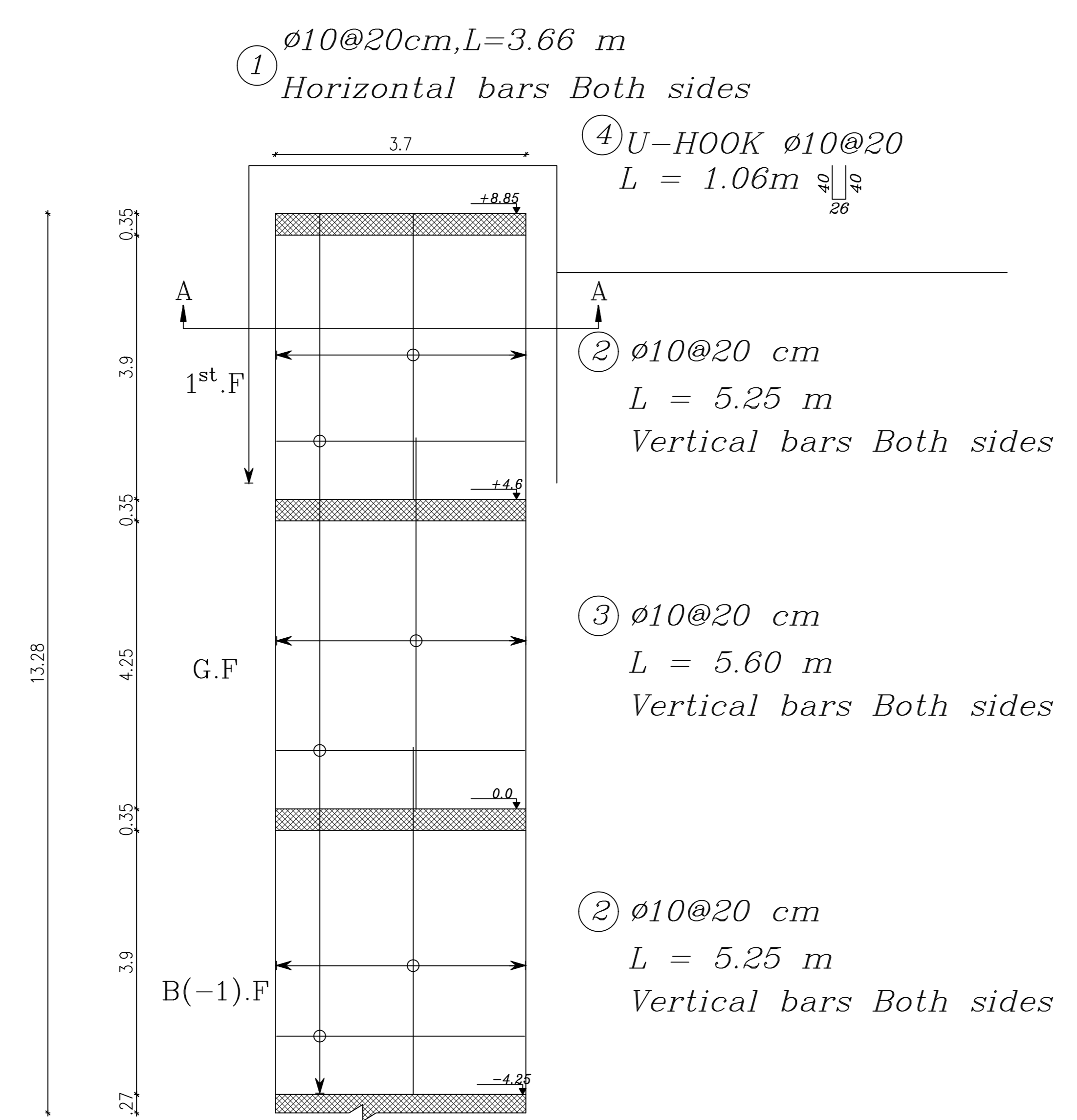
Husam Talahmeh

SCALE	No. of DRAW	DATE
1/100	S18	21/01/2024

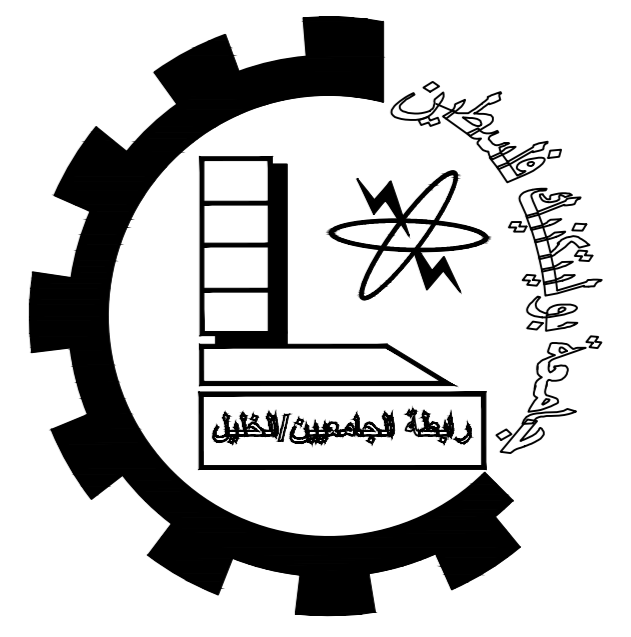




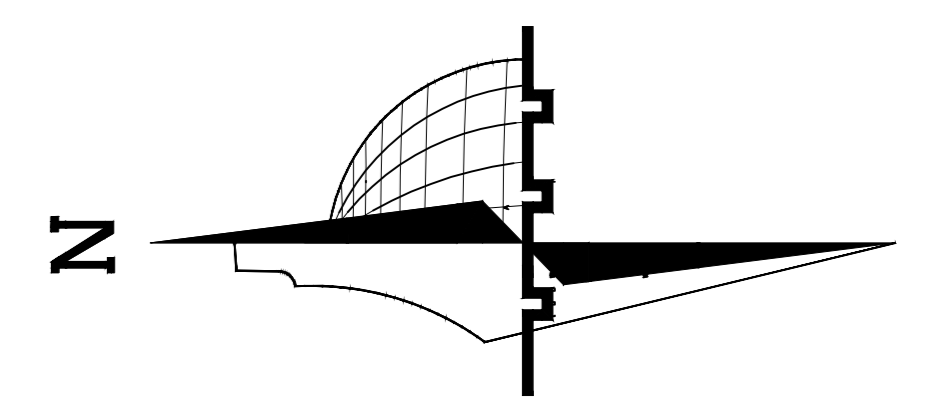
S.W.6  
SCALE 1:30



S.W.7  
SCALE 1:30



Palestine Polytechnic University  
 College of Engineering  
 Civil Engineering Department  
 Civil Engineering  
 Graduation Project  
 Al-Noor Hotel



**Legend :**

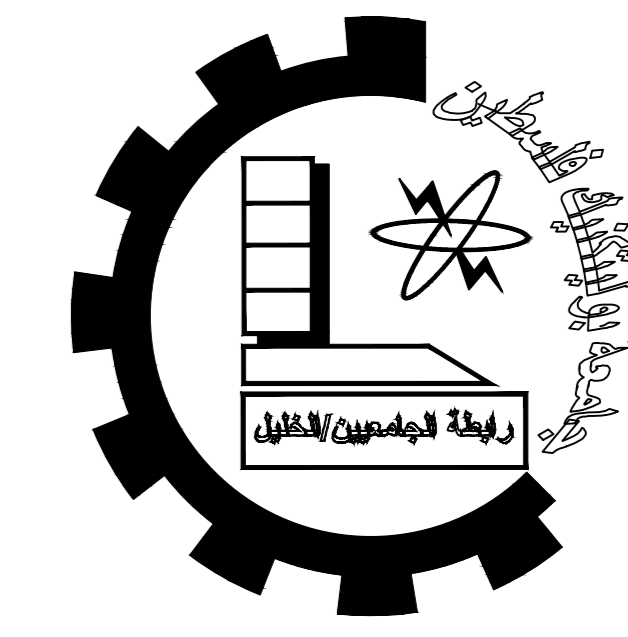
- Stone
- R.Concrete
- Concrete
- Hollow Block
- isolating materials
- Gravel
- Wood
- HEXAGONAL TILES
- BAKLAVA TILES
- GRASS

DRAWING TITLE :  
 shear wall  
 Supervisor  
 Dr. Nasr Abboushi.

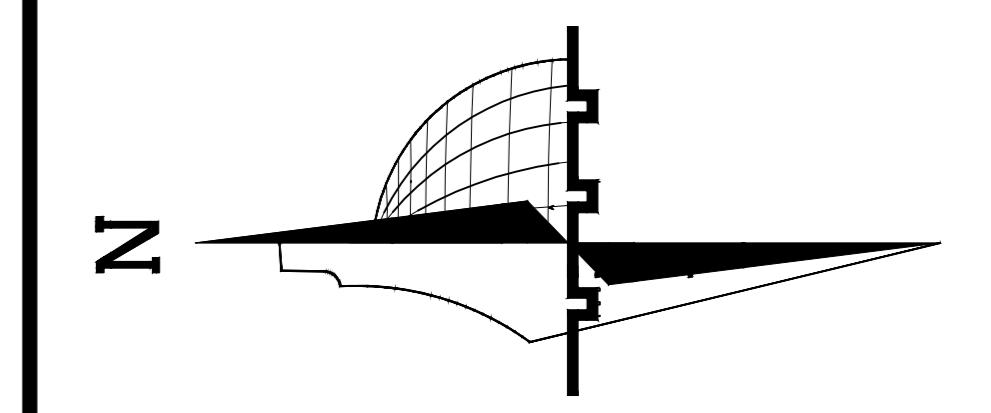
Done by :  
 Mohammad zareer  
 Husam Talahmeh

SCALE	No. of DRAW	DATE
1/100	S19	21/01/2024





Palestine Polytechnic University  
 College of Engineering  
 Civil Engineering Department  
 Civil Engineering  
 Graduation Project  
 Al-Noor Hotel



**Legend :**

- Stone
- R.Concrete
- Concrete
- Hollow Block
- isolating materiales
- Gravel
- Wood
- HEXAGONAL TILES
- BAKLAVA TILES
- GRASS

DRAWING TITLE :

shear wall

Supervisor

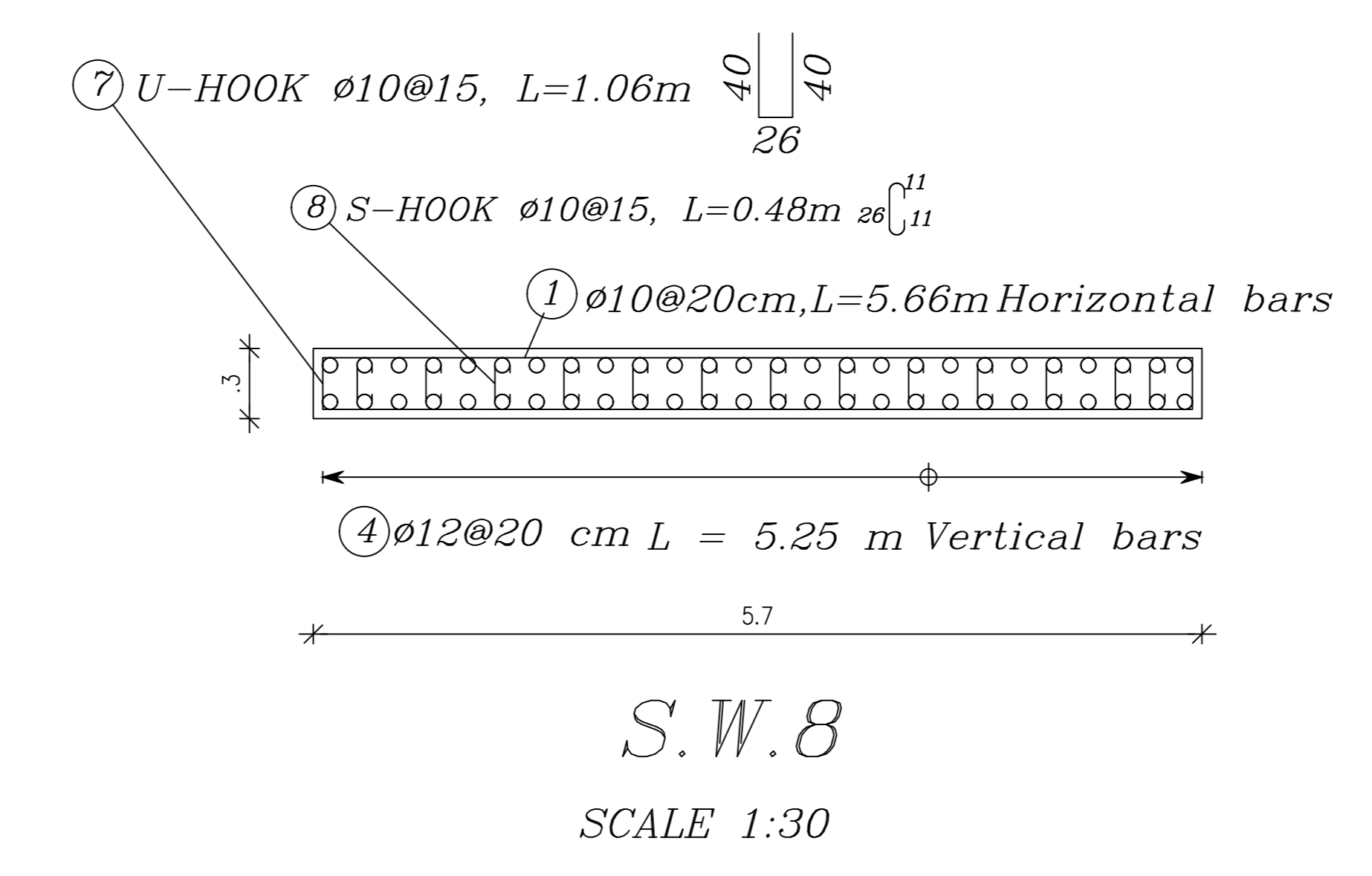
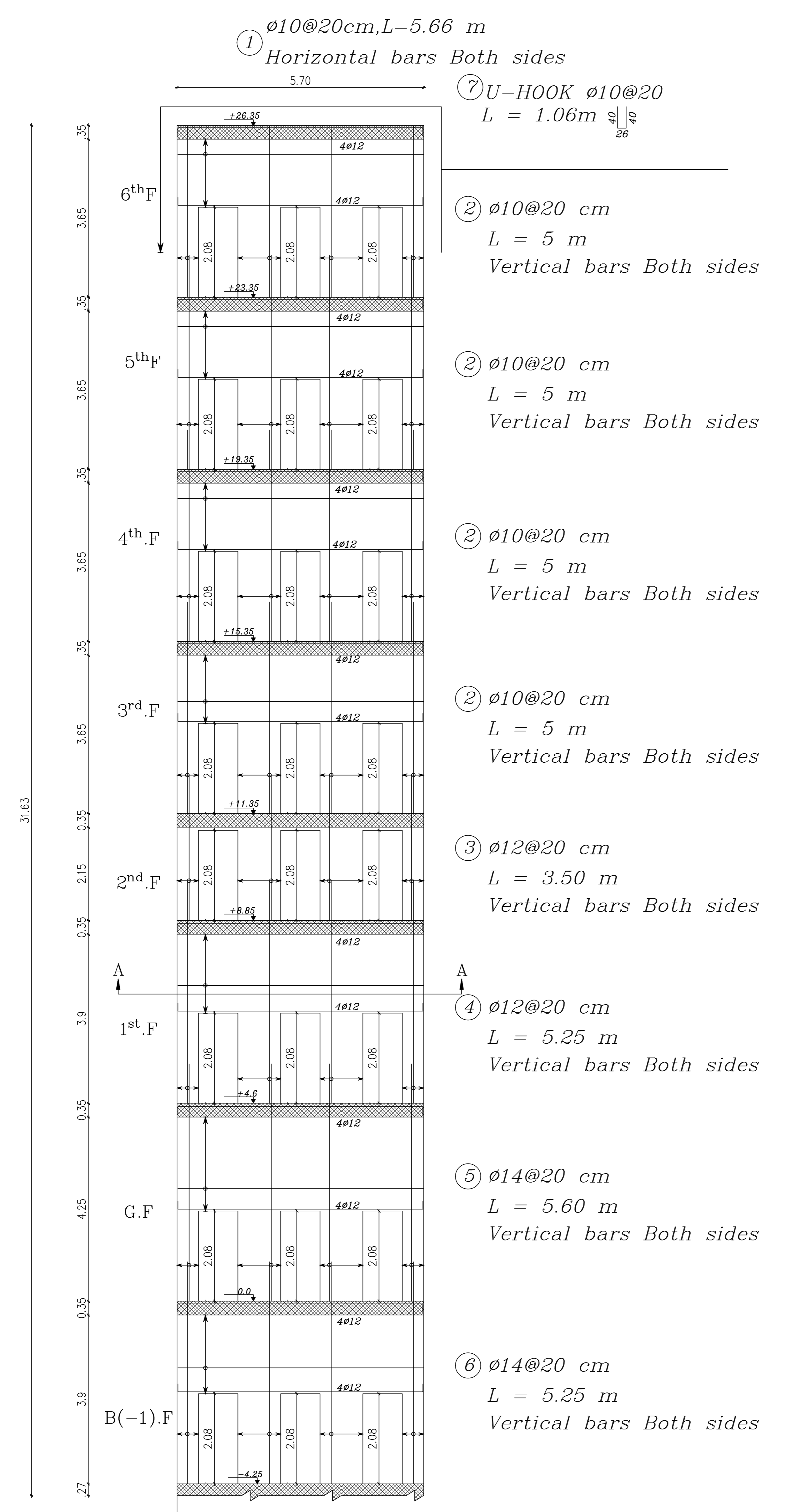
Dr. Nasr Abboushi.

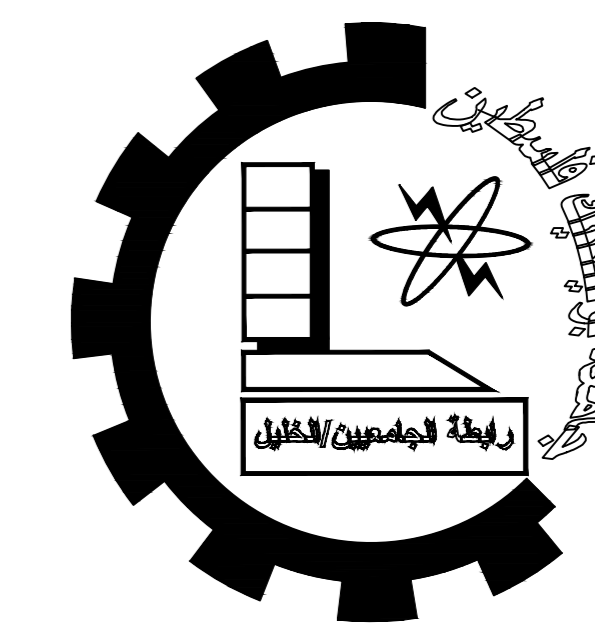
Done by :

Mohammad zareer

Husam Talahmeh

SCALE	No. of DRAW	DATE
1/100	S20	21/01/2024





Palestine Polytechnic University

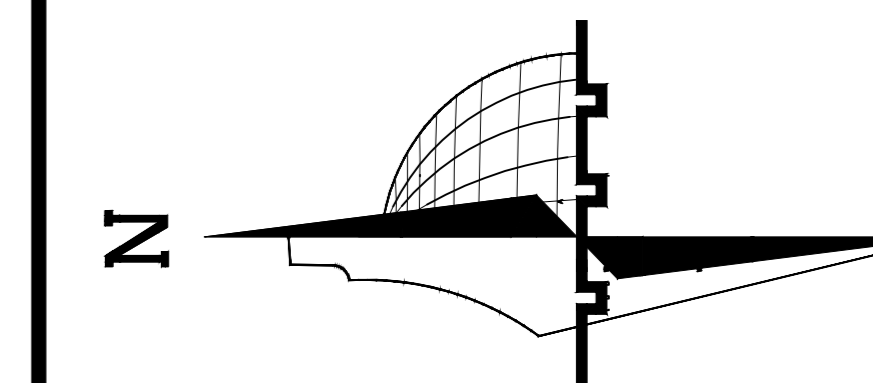
College of Engineering

Civil Engineering Department

Civil Engineering

Graduation Project

Al-Noor Hotel



**Legend :**

	Stone		Gravel
	R.Concrete		Wood
	Concrete		HEXAGONAL TILES
	Hollow Block		BAKLAVA TILES
	isolating materiales		GRASS

DRAWING TITLE :

shear wall

Supervisor

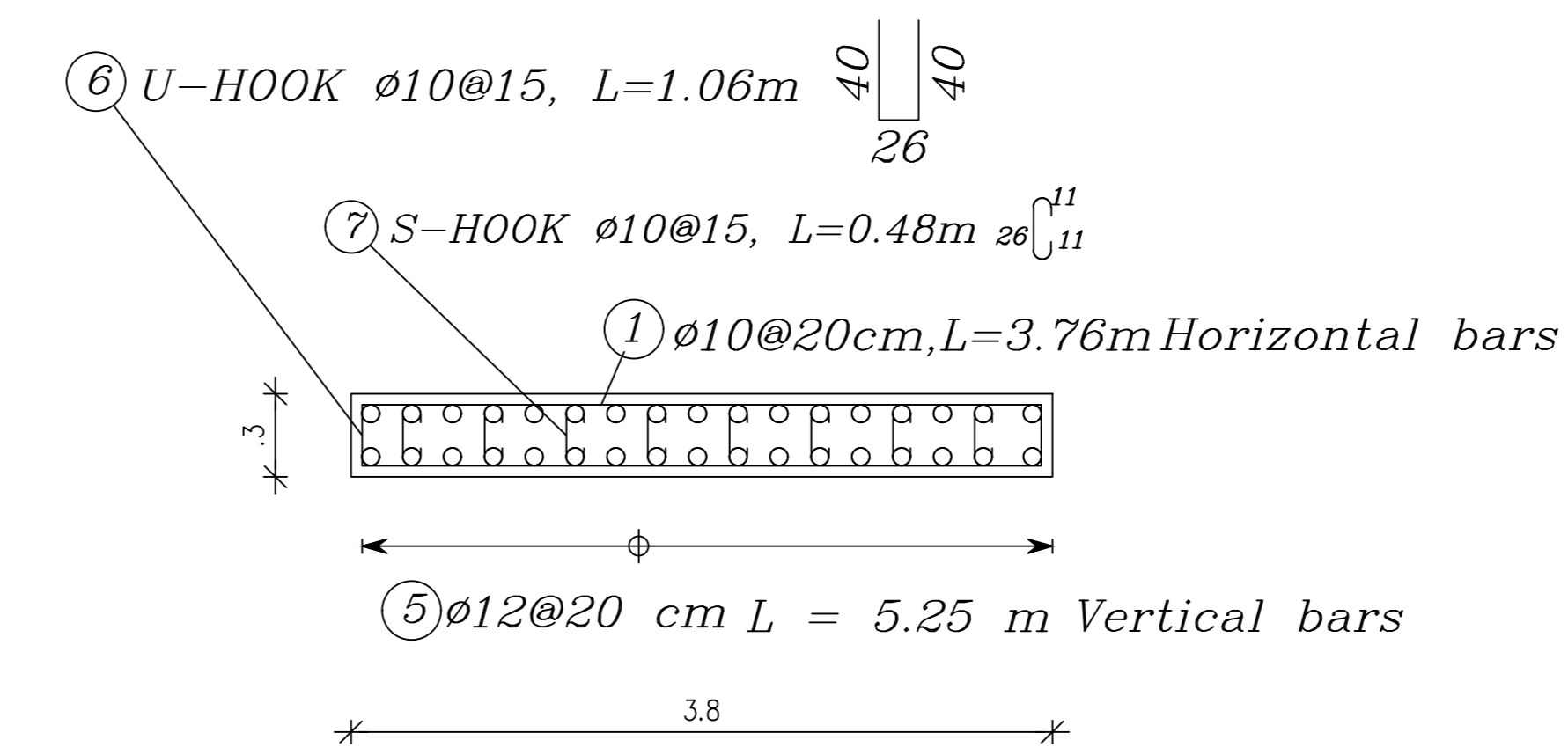
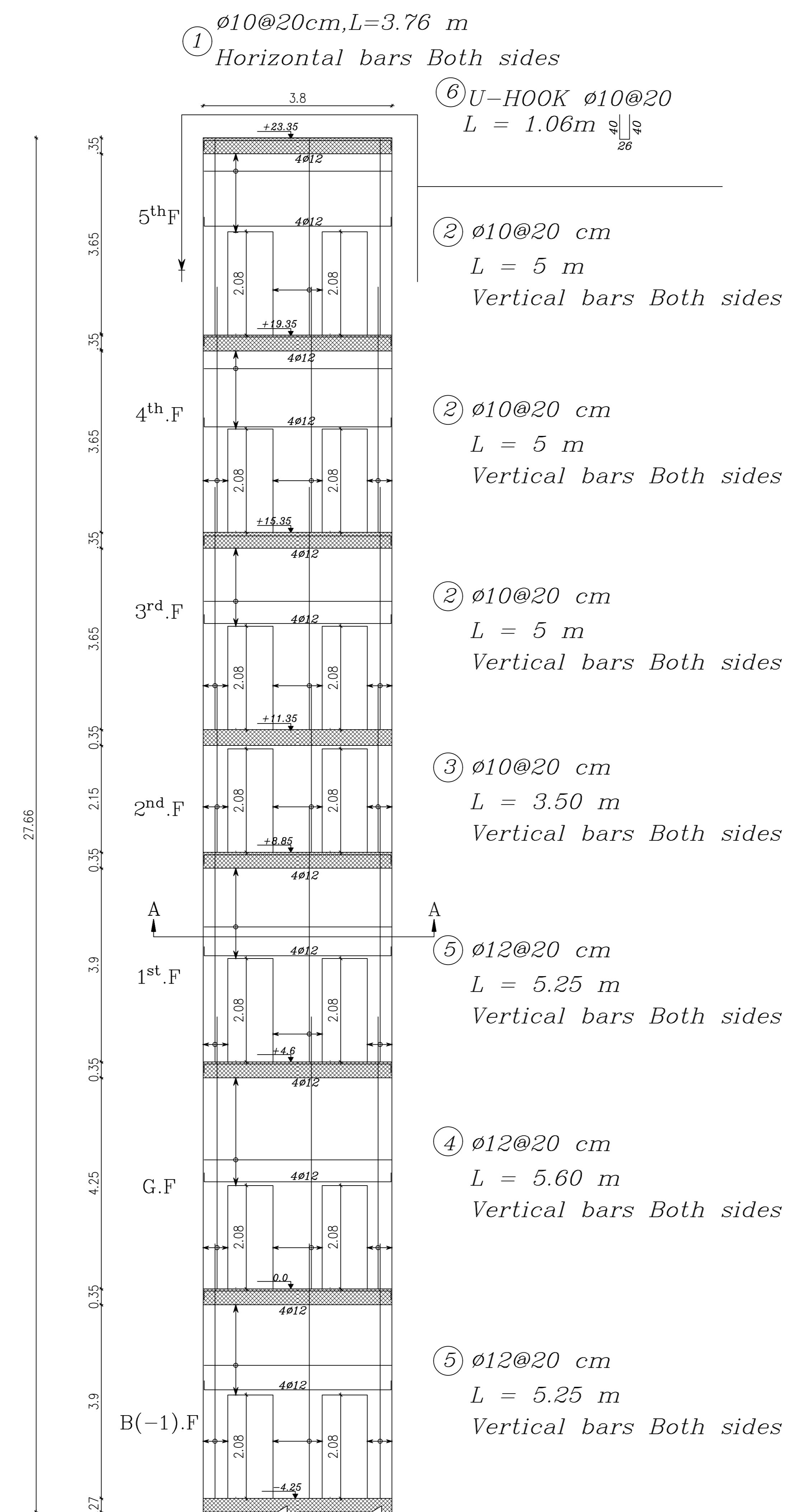
Dr. Nasr Abboushi.

Done by :

Mohammad zareer

Husam Talahmeh

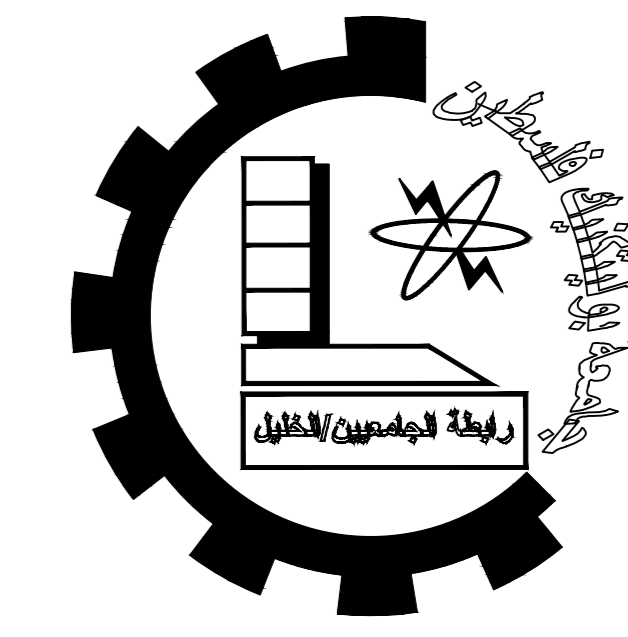
SCALE	No. of DRAW	DATE
1/100	S21	21/01/2024



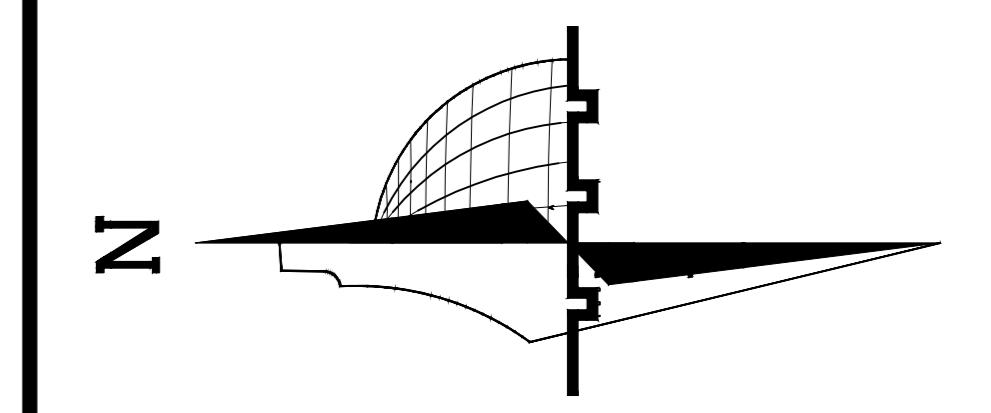
S.W.9

SCALE 1:30





Palestine Polytechnic University  
 College of Engineering  
 Civil Engineering Department  
 Civil Engineering  
 Graduation Project  
 Al-Noor Hotel



**Legend :**

- Stone
- R.Concrete
- Concrete
- Hollow Block
- isolating materials
- Gravel
- Wood
- HEXAGONAL TILES
- BAKLAVA TILES
- GRASS

DRAWING TITLE :

shear wall+basement wall

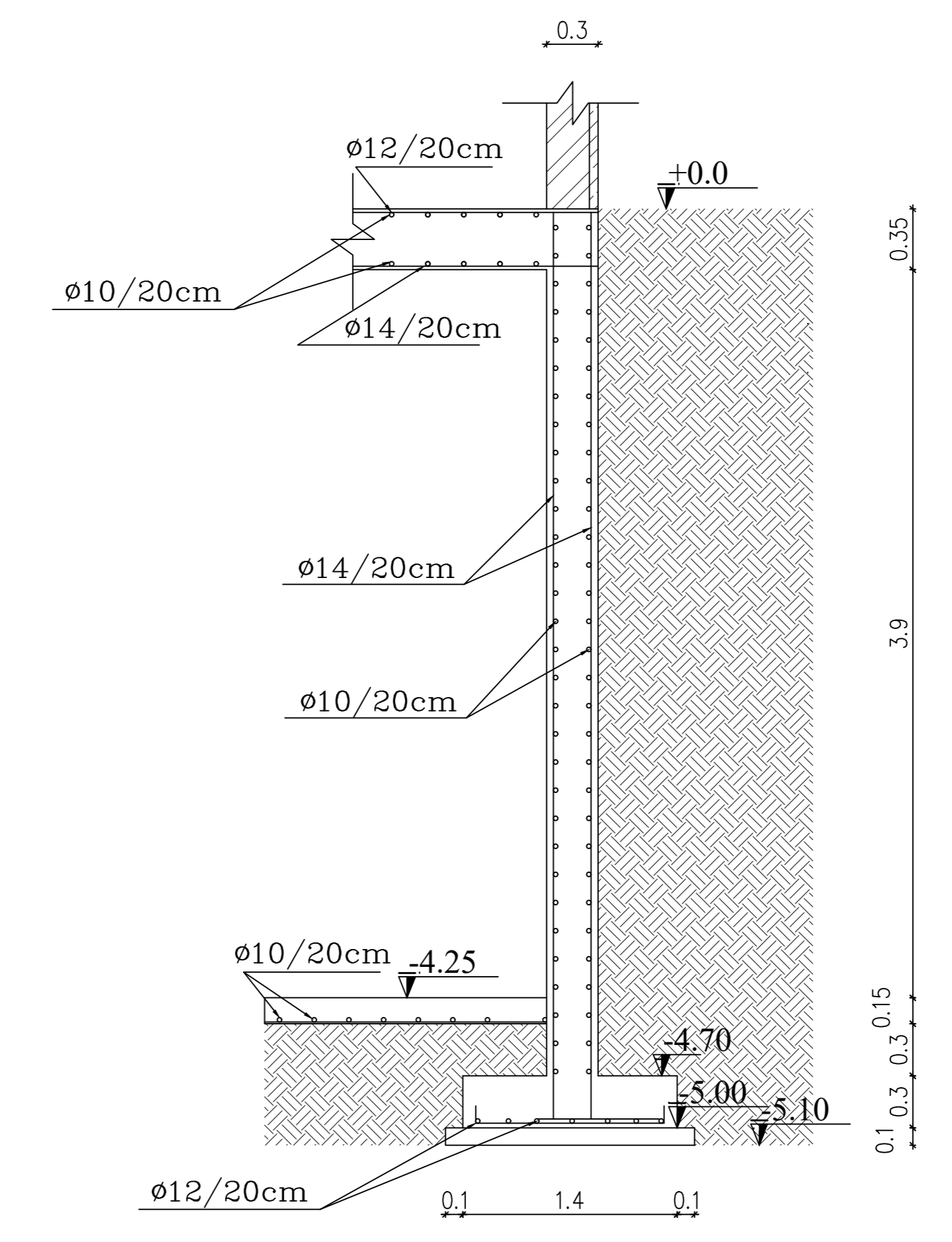
Supervisor

Dr. Nasr Abboushi.

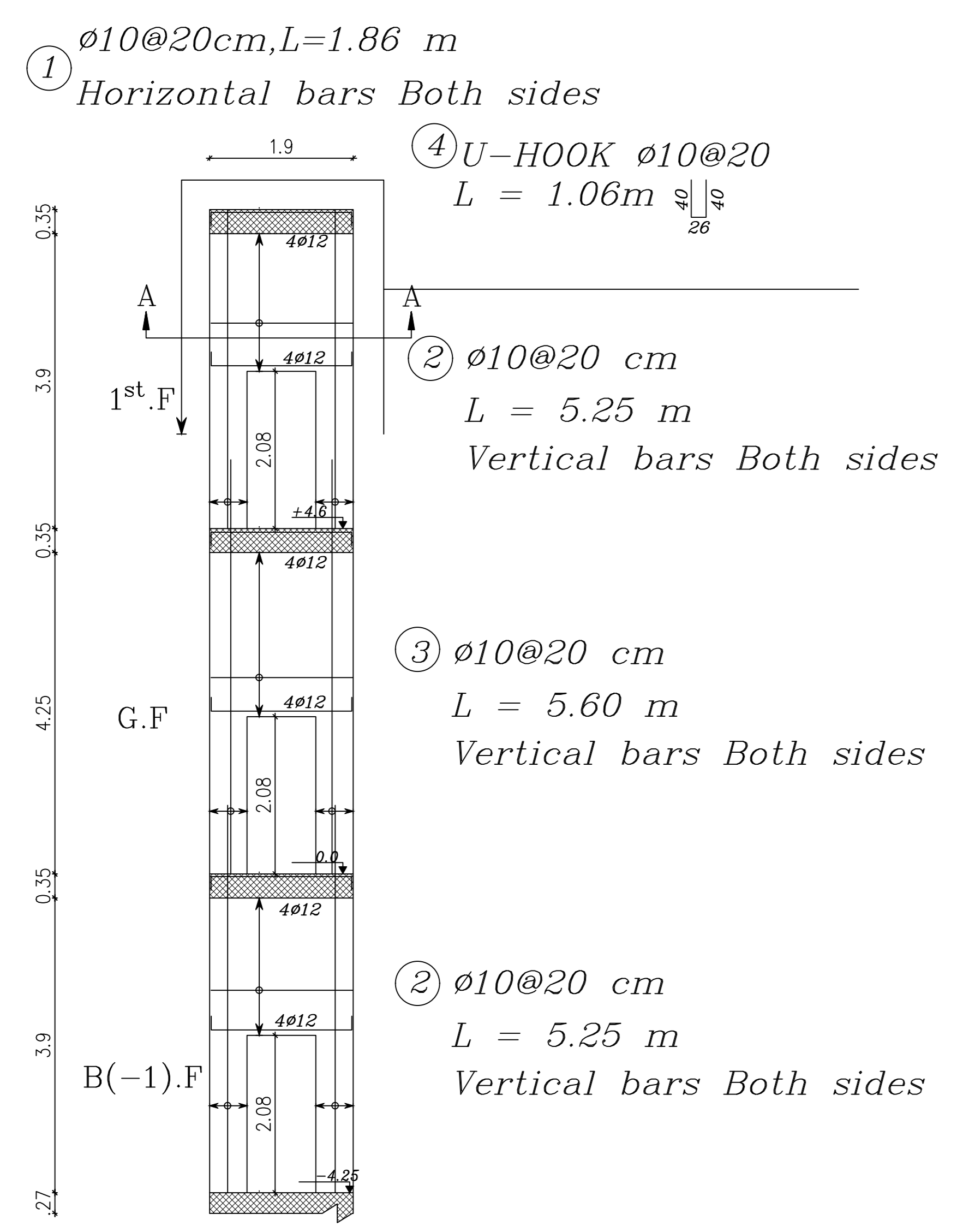
Done by :

Mohammad zareer  
 Husam Talahmeh

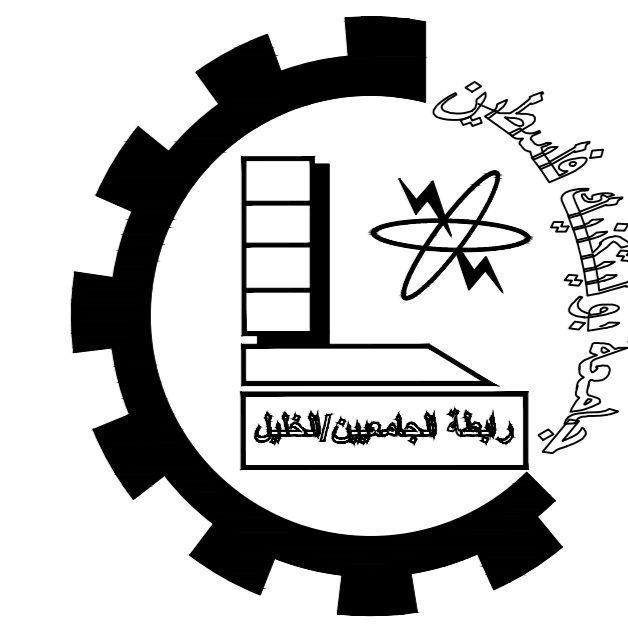
SCALE	No. of DRAW	DATE
1/100	S22	21/01/2024



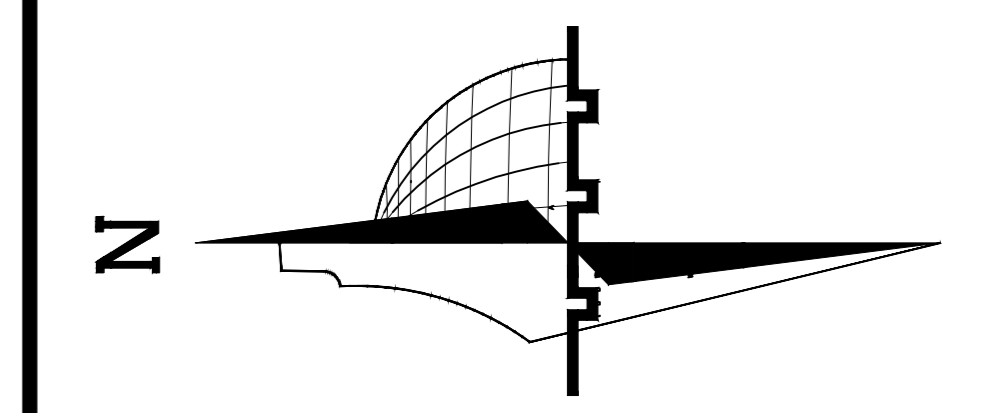
*B. W*  
 SCALE 1:20  
 Section H-H



*S.W.10*  
 SCALE 1:30



Palestine Polytechnic University  
 College of Engineering  
 Civil Engineering Department  
 Civil Engineering  
 Graduation Project  
 Al-Noor Hotel



**Legend :**

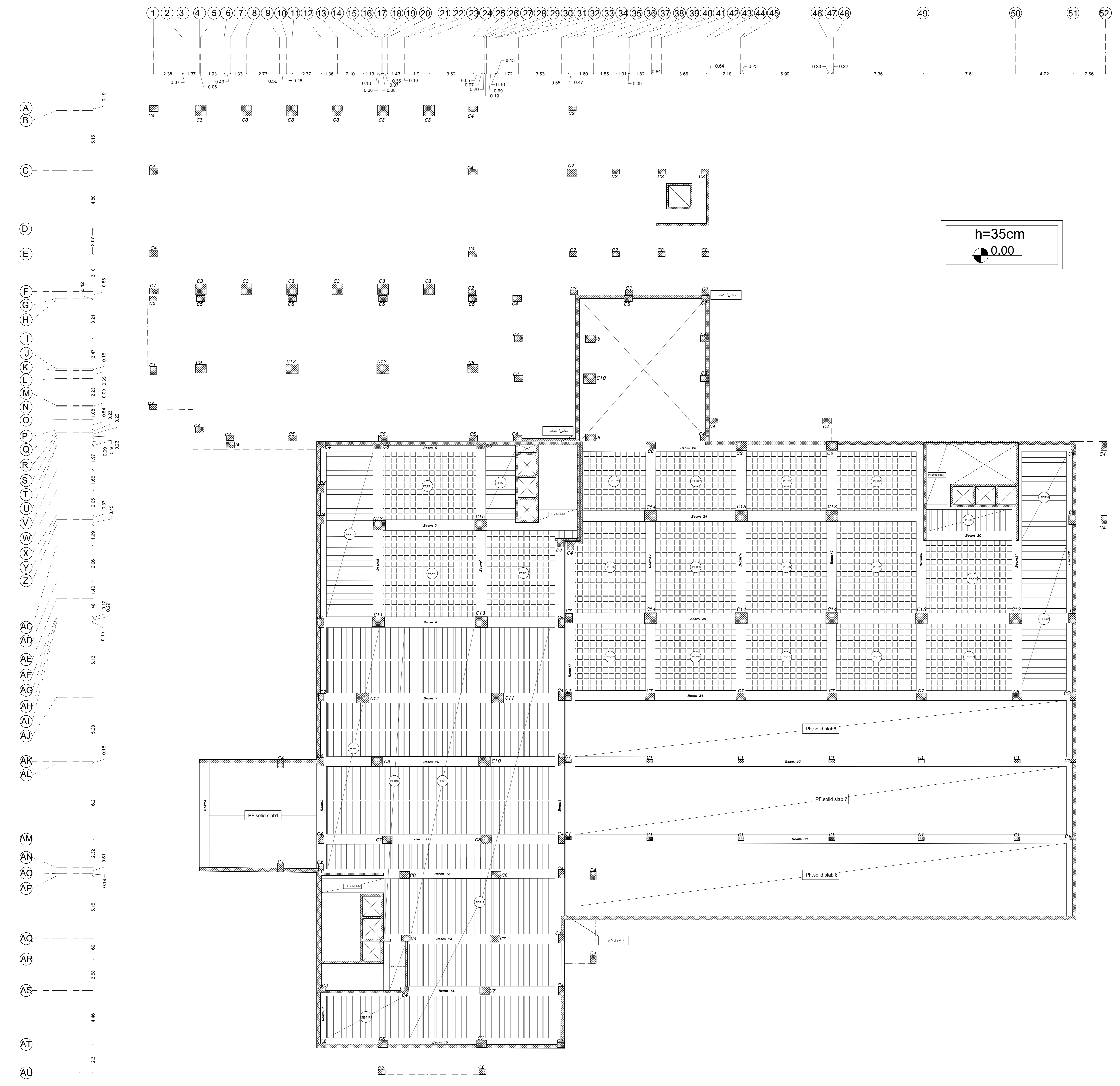
- Stone
- R.Concrete
- Concrete
- Hollow Block
- isolating materiales
- Gravel
- Wood
- HEXAGONAL TILES
- BAKLAVA TILES
- GRASS

DRAWING TITLE :  
 Brking Floor Slab  
 Distribution of Ribs

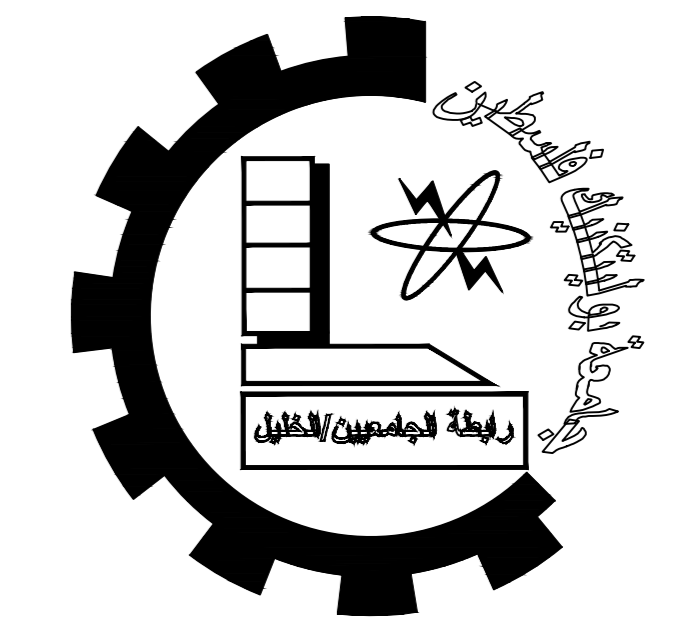
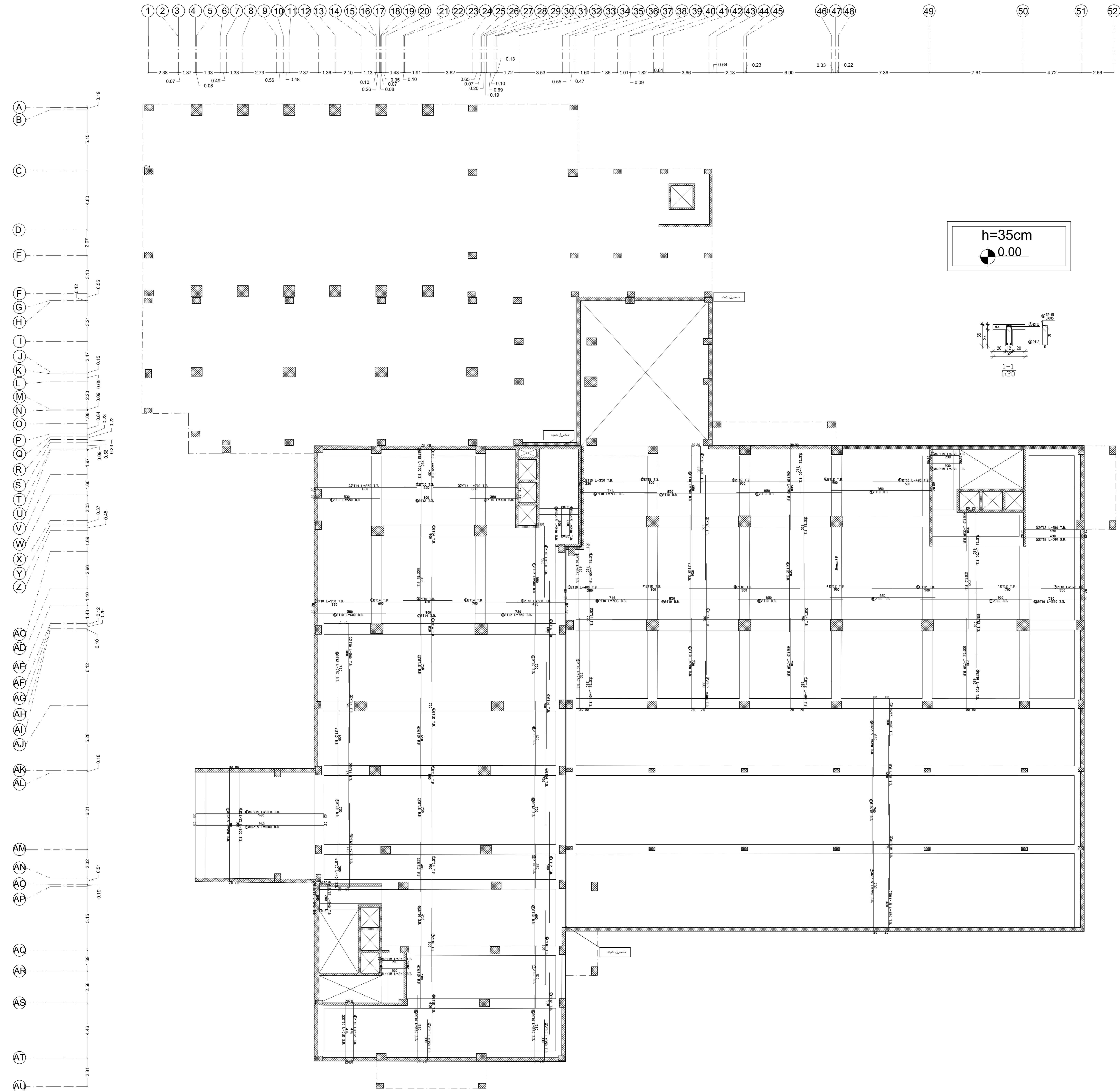
Supervisor  
 Dr. Nasr Abboushi.

Done by :  
 Mohammad zareer  
 Husam Talahmeh

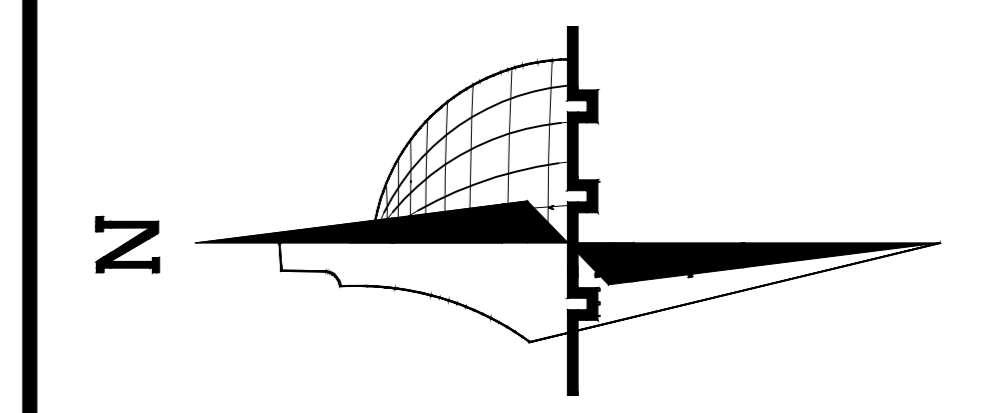
SCALE	No. of DRAW	DATE
1/100	S23	21/01/2024







Palestine Polytechnic University  
 College of Engineering  
 Civil Engineering Department  
 Civil Engineering  
 Graduation Project  
 Al-Noor Hotel



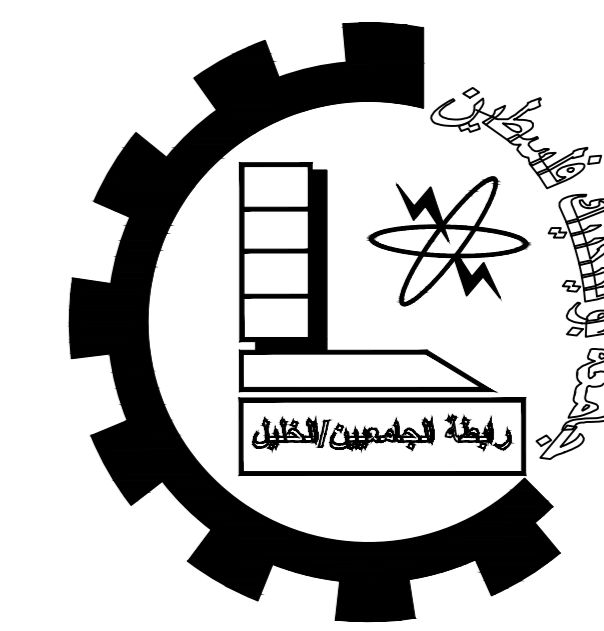
- Legend :**
- Stone
  - R.Concrete
  - Concrete
  - Hollow Block
  - Isolating materials
  - Gravel
  - Wood
  - HEXAGONAL TILES
  - BAKLAVA TILES
  - GRASS

DRAWING TITLE :  
 Brking Floor Slab  
 Ribs Reinforcement

Supervisor  
 Dr. Nasr Abboushi.

Done by :  
 Mohammad zareer  
 Husam Talahmeh

SCALE	No. of DRAW	DATE
1/100	S24	21/01/2024



Palestine Polytechnic University

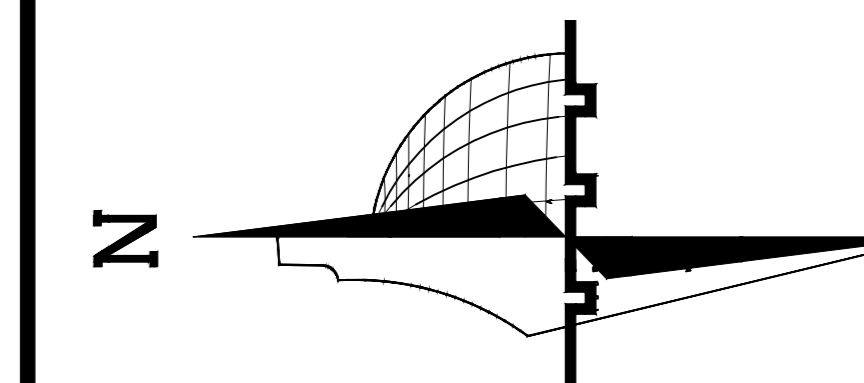
College of Engineering

Civil Engineering Department

Civil Engineering

Graduation Project

Al-Noor Hotel



**Legend :**

- Stone
- R.Concrete
- Concrete
- Hollow Block
- isolating materiales
- Gravel
- Wood
- HEXAGONAL TILES
- BAKLAVA TILES
- GRASS

DRAWING TITLE :

Ground Floor Slab  
Distribution of Ribs

Supervisor

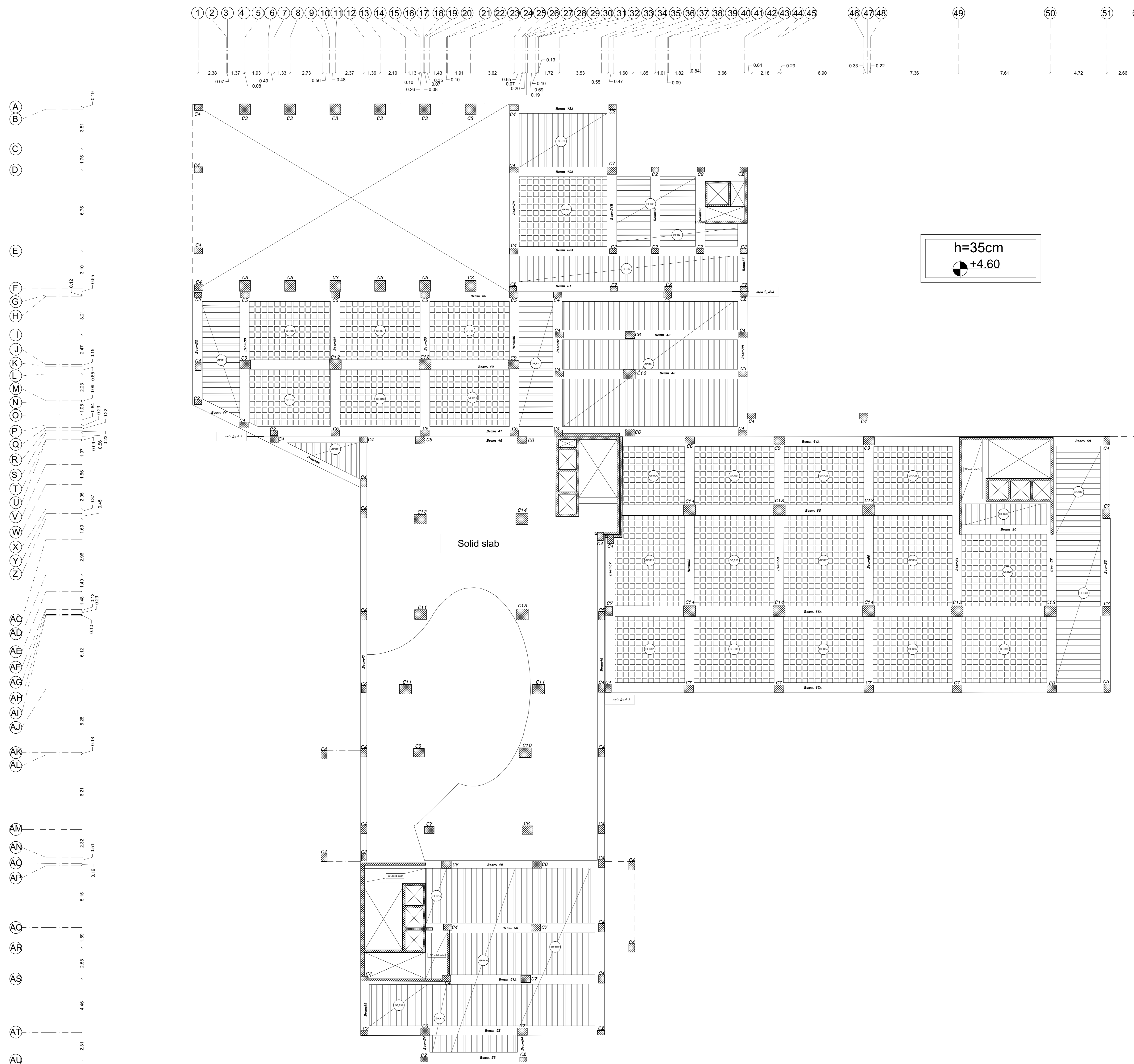
Dr. Nasr Abboushi.

Done by :

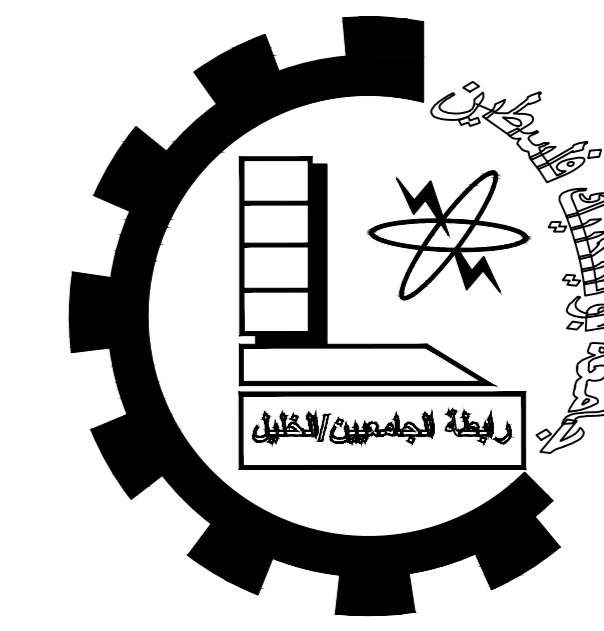
Mohammad zareer

Husam Talahmeh

SCALE	No. of DRAW	DATE
1/100	S25	21/01/2024







Palestine Polytechnic University

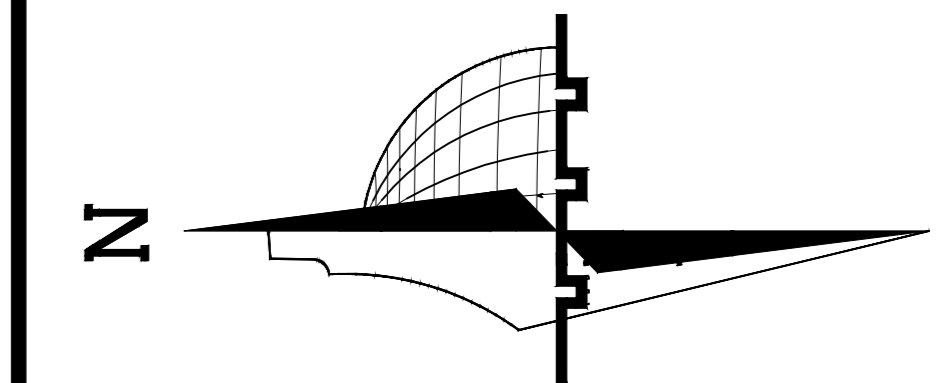
College of Engineering

Civil Engineering Department

Civil Engineering

Graduation Project

Al-Noor Hotel



**Legend :**

- Stone
- R.Concrete
- Concrete
- Hollow Block
- isolating materiales
- Gravel
- Wood
- HEXAGONAL TILES
- BAKLAVA TILES
- GRASS

DRAWING TITLE :

Ground Floor Slab  
Ribs Reinforcement

Supervisor

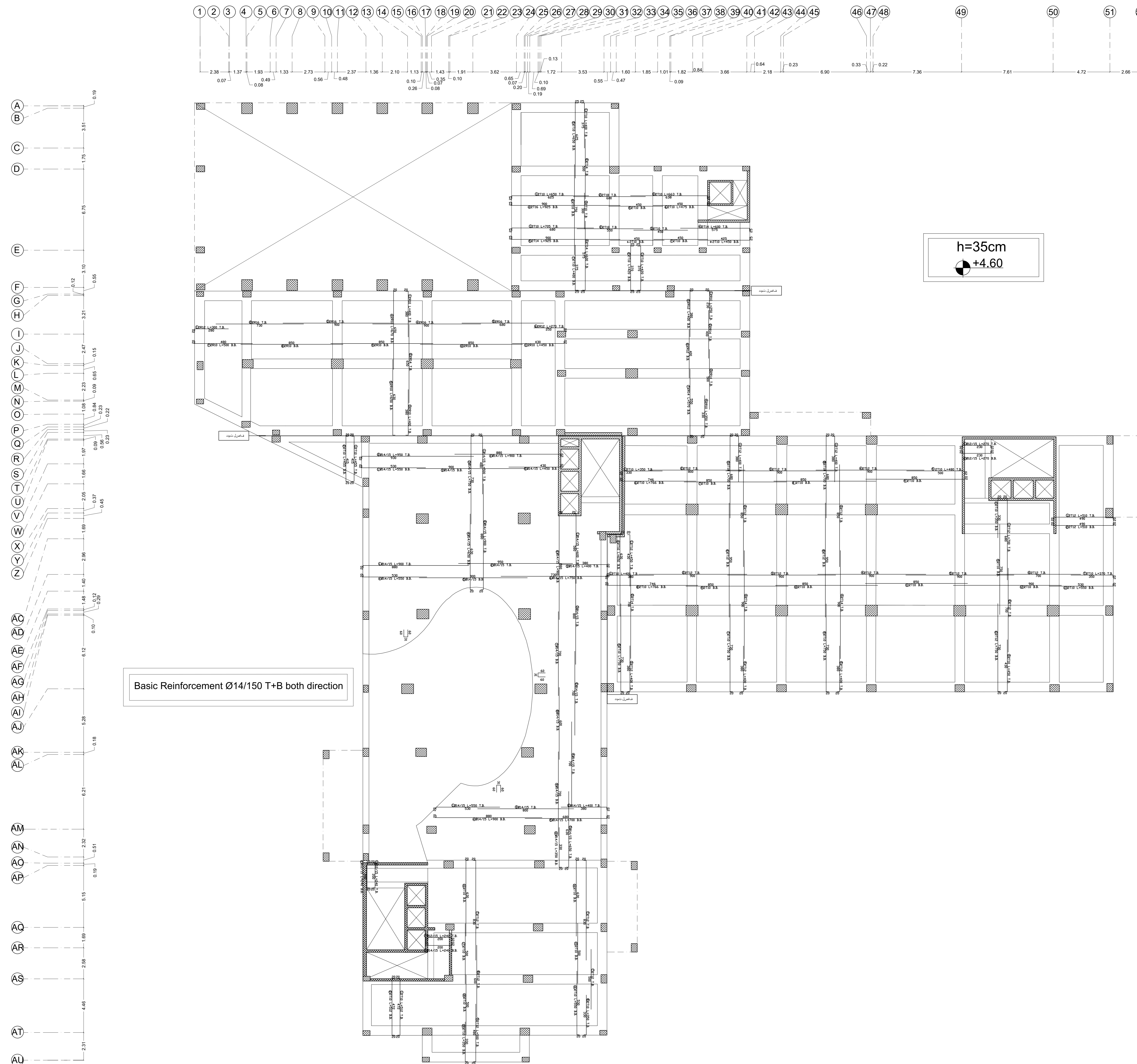
Dr. Nasr Abboushi.

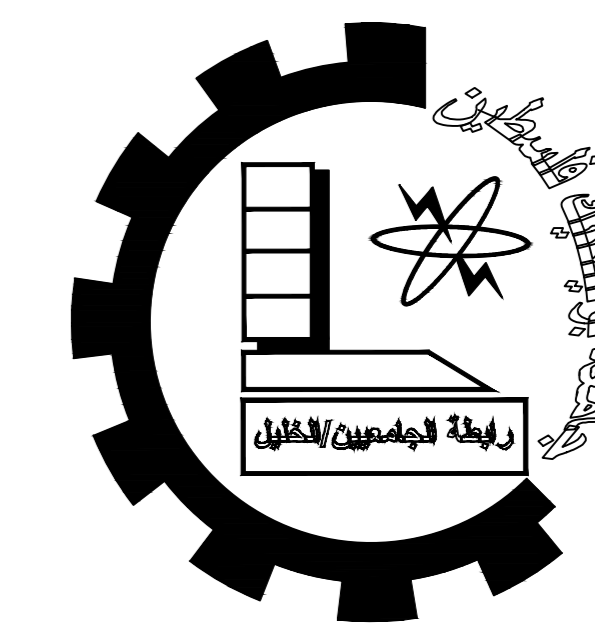
Done by :

Mohammad zareer

Husam Talahmeh

SCALE	No. of DRAW	DATE
1/100	S26	21/01/2024





Palestine Polytechnic University

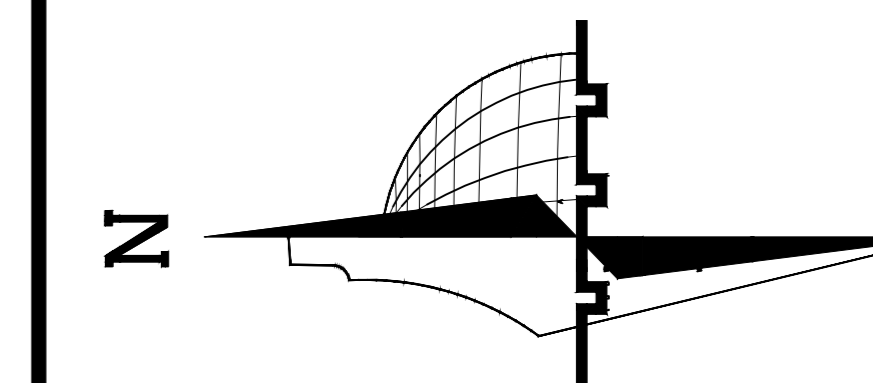
College of Engineering

Civil Engineering Department

Civil Engineering

Graduation Project

Al-Noor Hotel



**Legend :**

- Stone
- R.Concrete
- Concrete
- Hollow Block
- isolating materiales
- Gravel
- Wood
- HEXAGONAL TILES
- BAKLAVA TILES
- GRASS

DRAWING TITLE :

Additional Top Reinforcement  
For Flat Slab

Supervisor

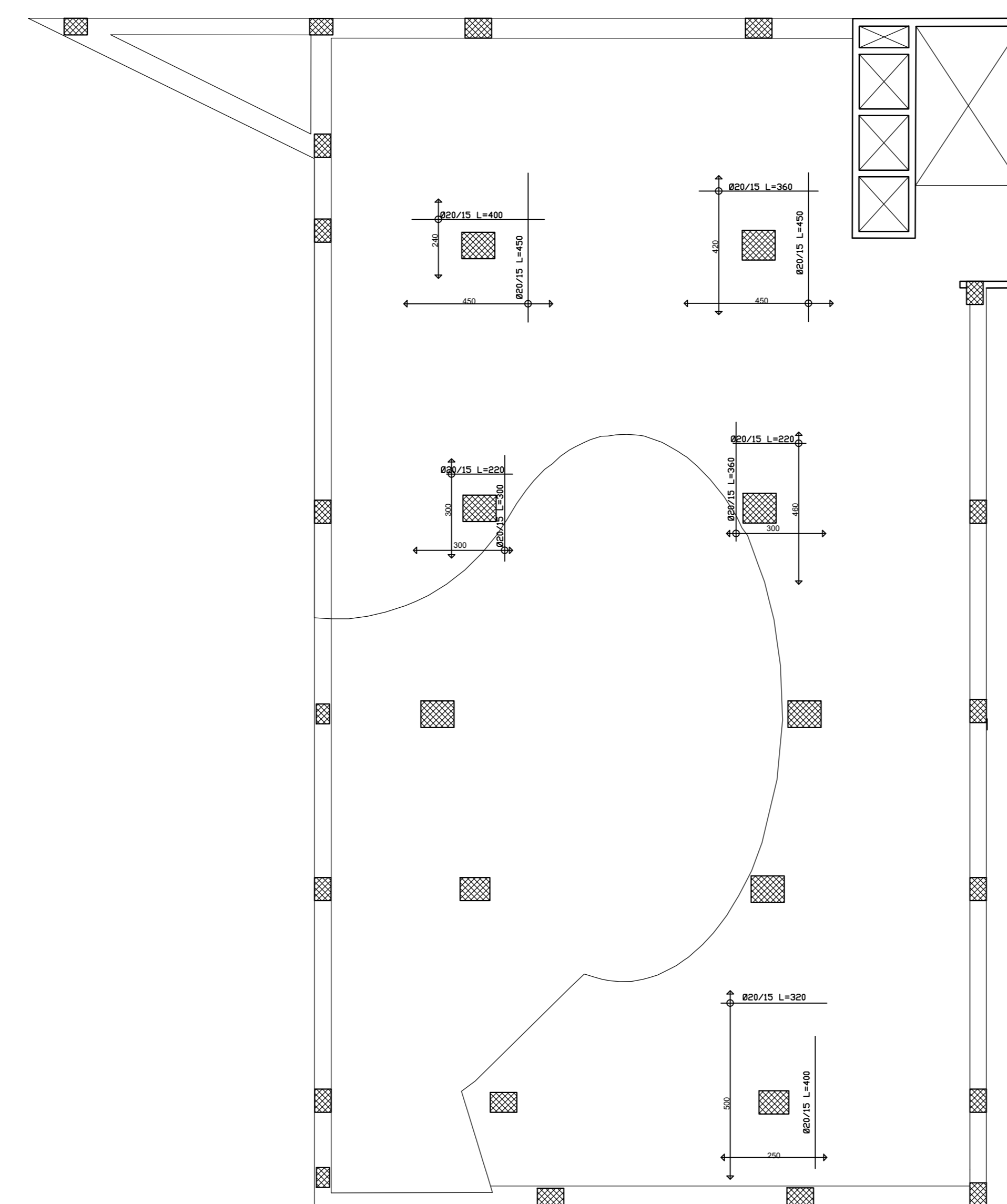
Dr. Nasr Abboushi.

Done by :

Mohammad zareer

Husam Talahmeh

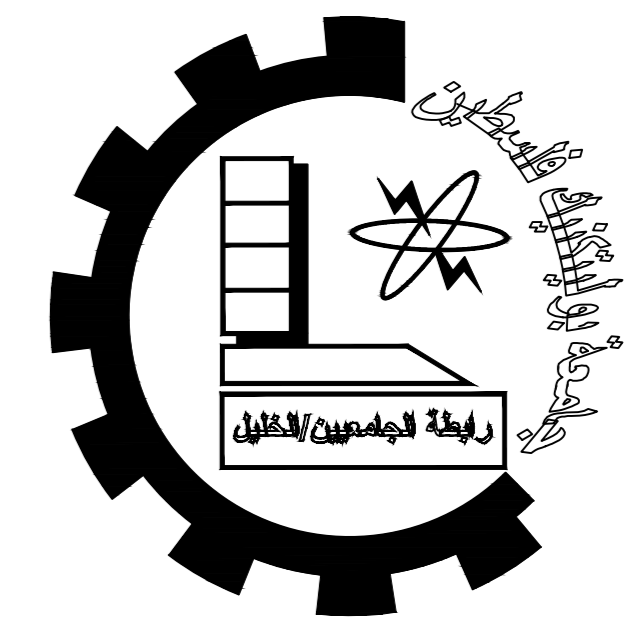
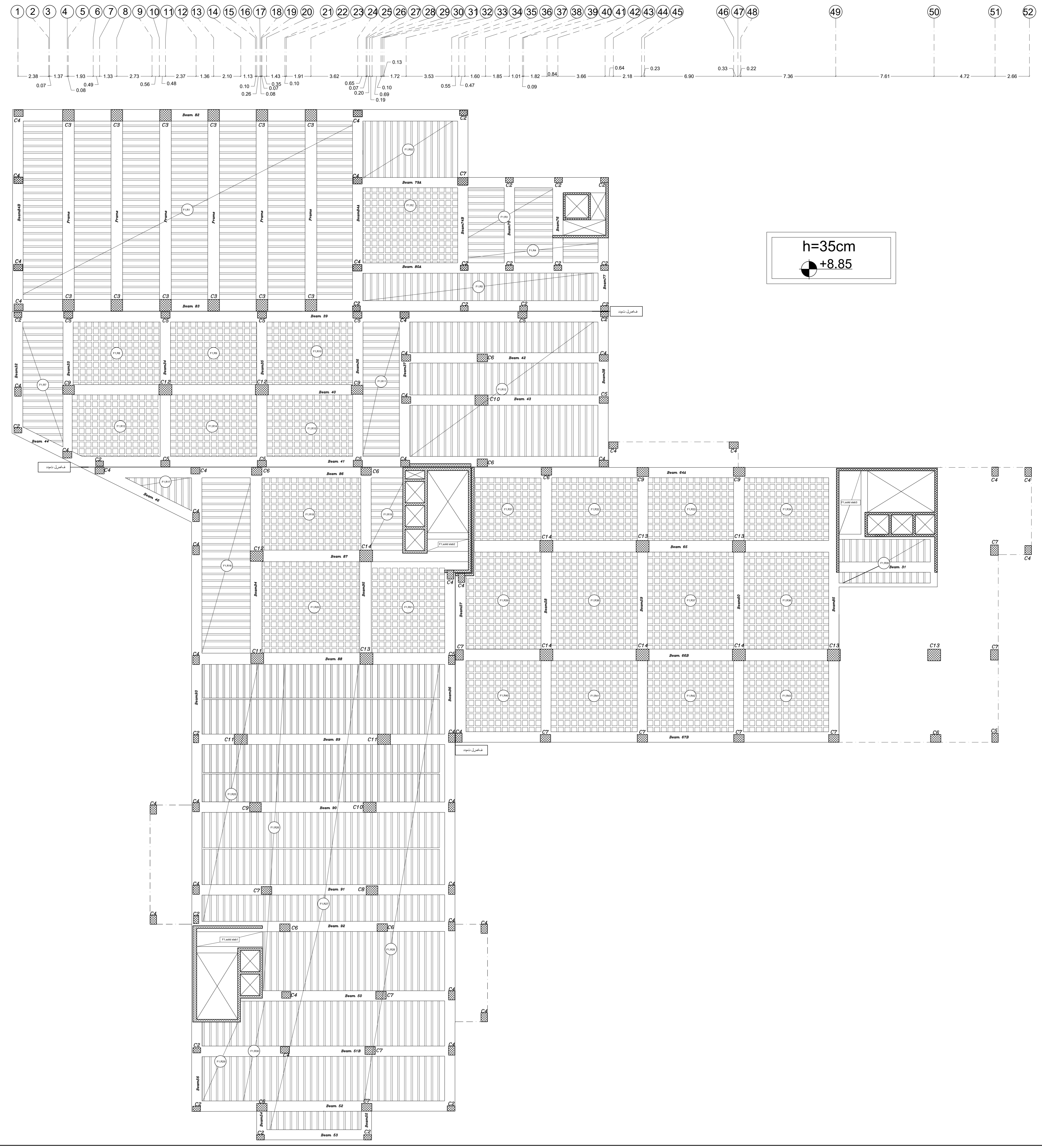
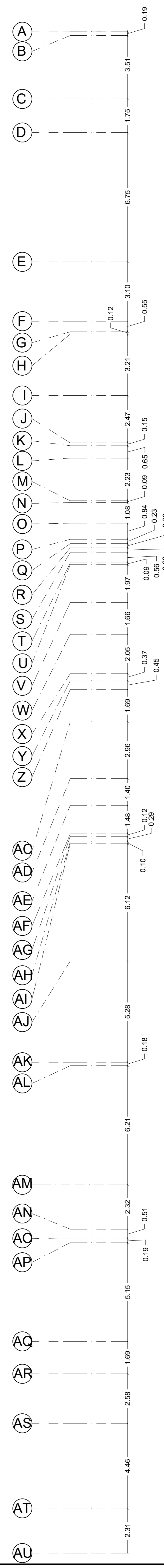
SCALE	No. of DRAW	DATE
1/100	S27	21/01/2024



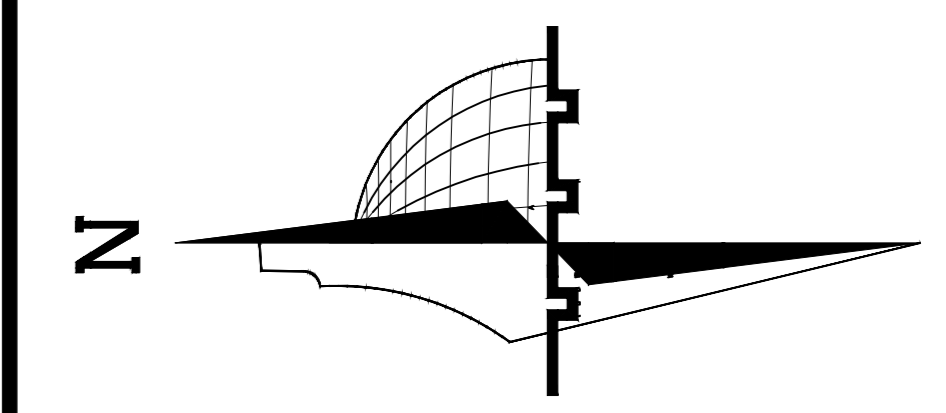
Additional Top Reinforcement



Frame slab(h=28cm)  
+8.85



Palestine Polytechnic University  
College of Engineering  
Civil Engineering Department  
Civil Engineering  
Graduation Project  
  
Al-Noor Hotel



**Legend :**

- Stone
- R.Concrete
- Concrete
- Hollow Block
- isolating materiales
- Gravel
- Wood
- HEXAGONAL TILES
- BAKLAVA TILES
- GRASS

DRAWING TITLE :

First Floor Slab  
Distribution of Ribs

Supervisor

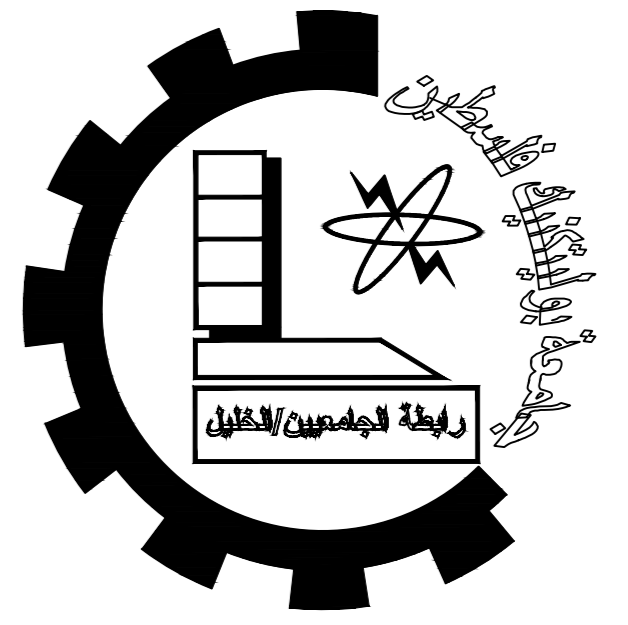
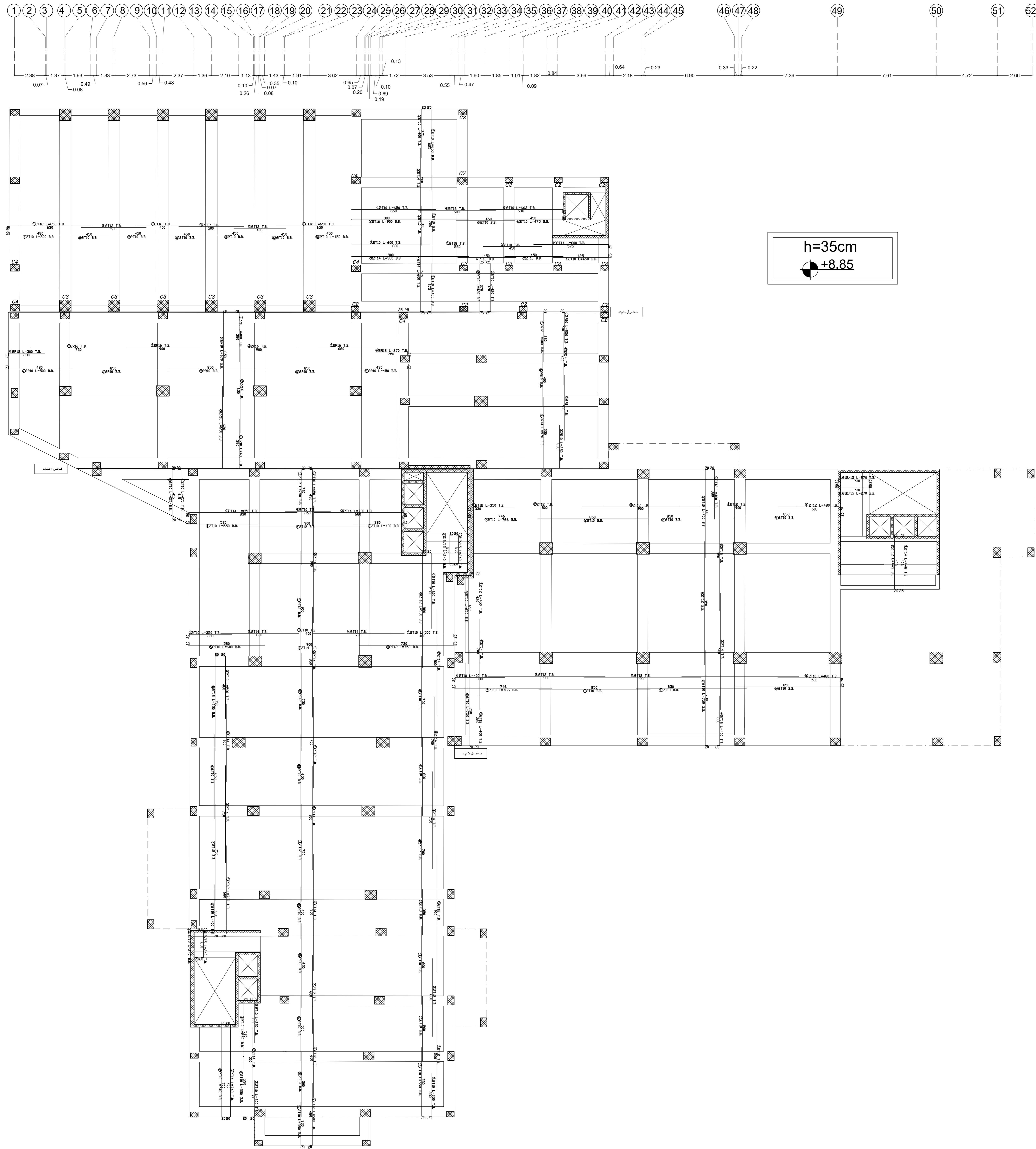
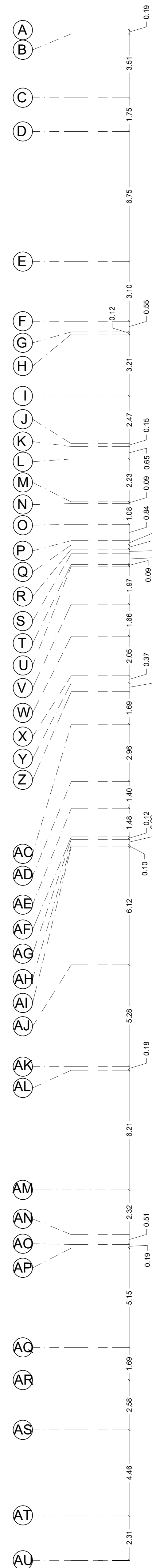
Dr. Nasr Abboushi.

Done by :

Mohammad zareer  
Husam Talahmeh

SCALE	No. of DRAW	DATE
1/100	S28	21/01/2024

Frame slab(h=28cm)  
+8.85



Palestine Polytechnic University

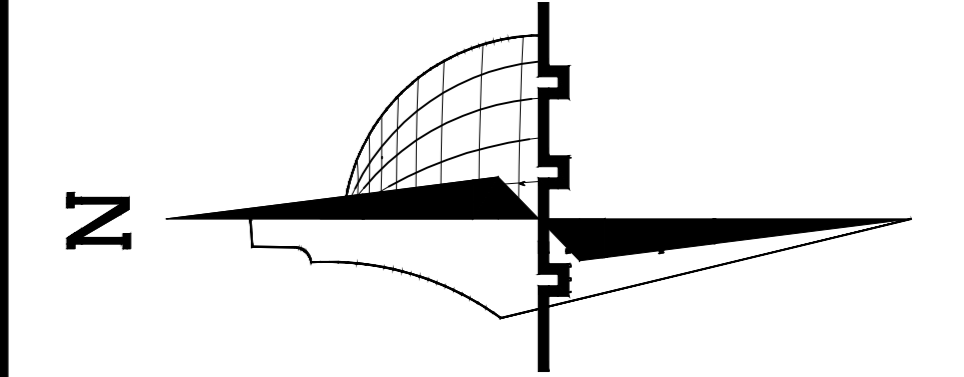
College of Engineering

Civil Engineering Department

Civil Engineering

Graduation Project

Al-Noor Hotel



**Legend :**

- Stone
- R.Concrete
- Concrete
- Hollow Block
- isolating materiales
- Gravel
- Wood
- HEXAGONAL TILES
- BAKLAVA TILES
- GRASS

DRAWING TITLE :

First Floor Slab  
Ribs Reinforcement

Supervisor

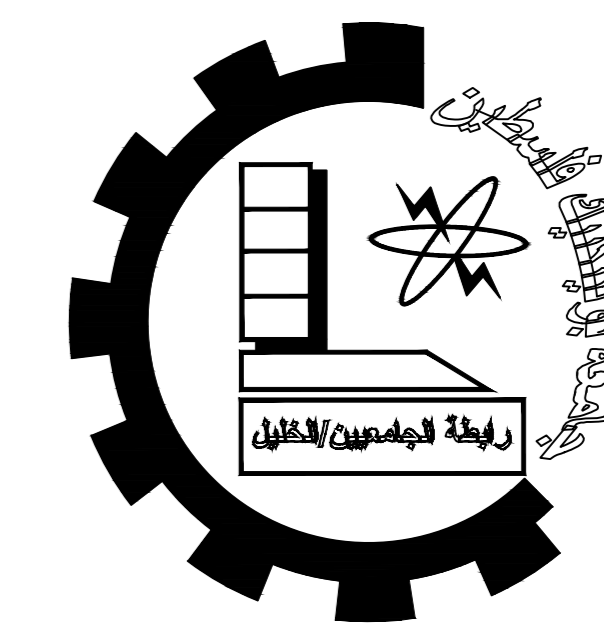
Dr. Nasr Abboushi.

Done by :

Mohammad zareer  
Husam Talahmeh

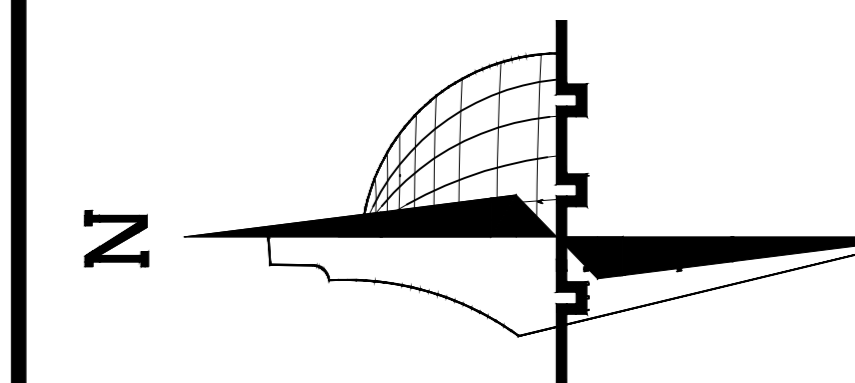
SCALE	No. of DRAW	DATE
1/100	S29	21/01/2024





Palestine Polytechnic University  
 College of Engineering  
 Civil Engineering Department  
 Civil Engineering  
 Graduation Project

Al-Noor Hotel



**Legend :**

- Stone
- R.Concrete
- Concrete
- Hollow Block
- isolating materiales
- Gravel
- Wood
- HEXAGONAL TILES
- BAKLAVA TILES
- GRASS

DRAWING TITLE :

Technical Floor Slab  
 Distribution of Ribs

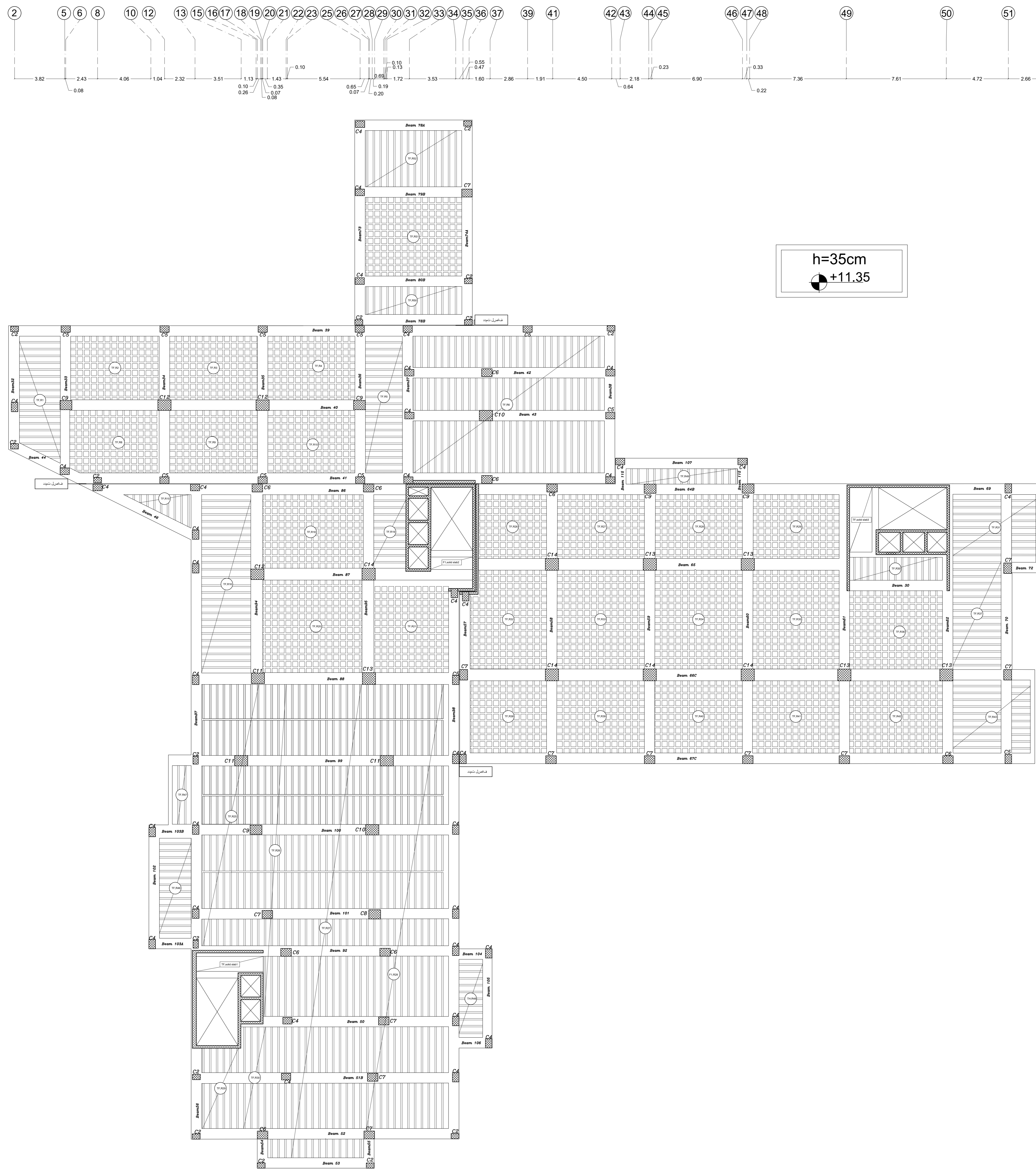
Supervisor

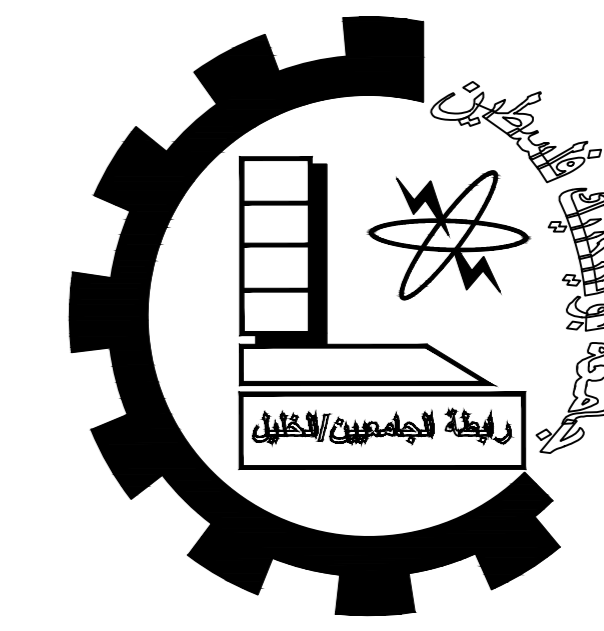
Dr. Nasr Abboushi.

Done by :

Mohammad zareer  
 Husam Talahmeh

SCALE	No. of DRAW	DATE
1/100	S30	21/01/2024





Palestine Polytechnic University

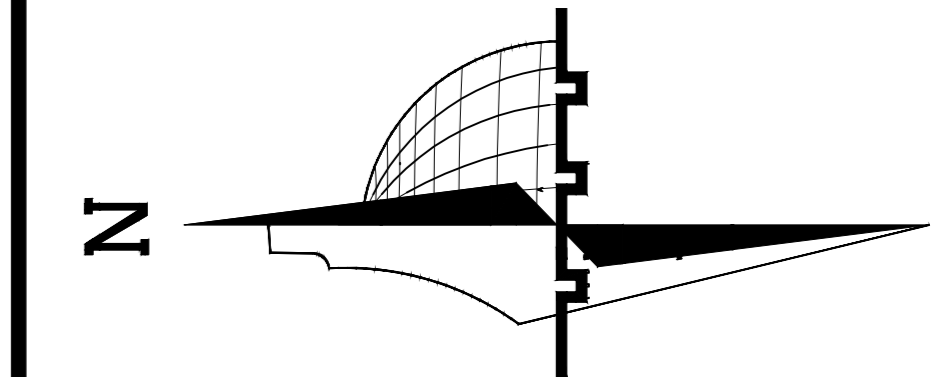
College of Engineering

Civil Engineering Department

Civil Engineering

Graduation Project

Al-Noor Hotel



**Legend :**

- Stone
- R.Concrete
- Concrete
- Hollow Block
- isolating materiales
- Gravel
- Wood
- HEXAGONAL TILES
- BAKLAVA TILES
- GRASS

DRAWING TITLE :

Technical Floor Slab  
Ribs Reinforcement

Supervisor

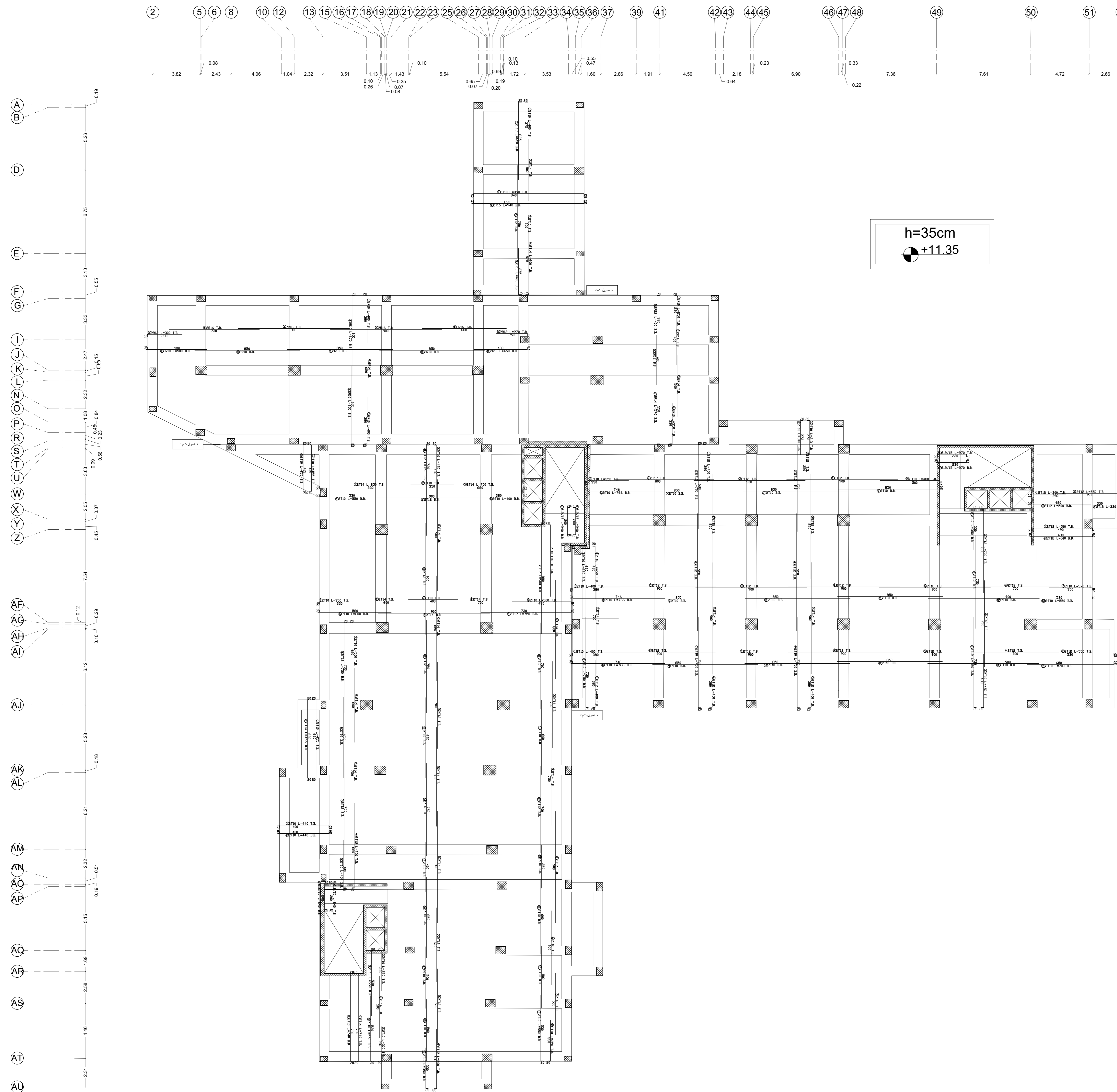
Dr. Nasr Abboushi.

Done by :

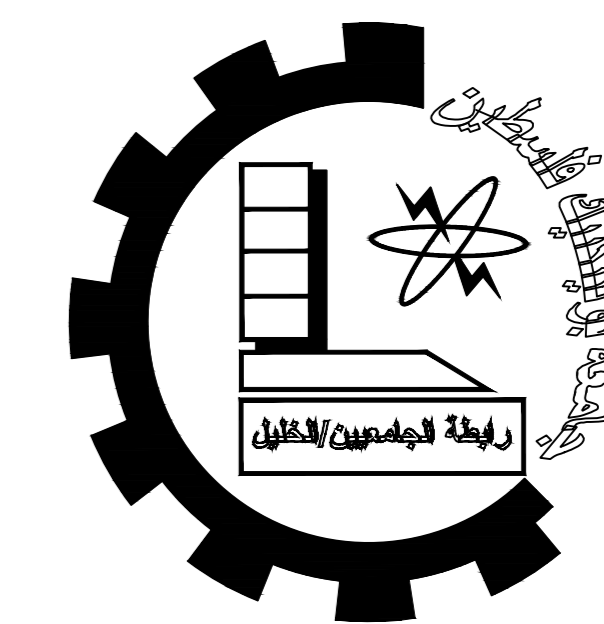
Mohammad zareer

Husam Talahmeh

SCALE	No. of DRAW	DATE
1/100	S31	21/01/2024







Palestine Polytechnic University

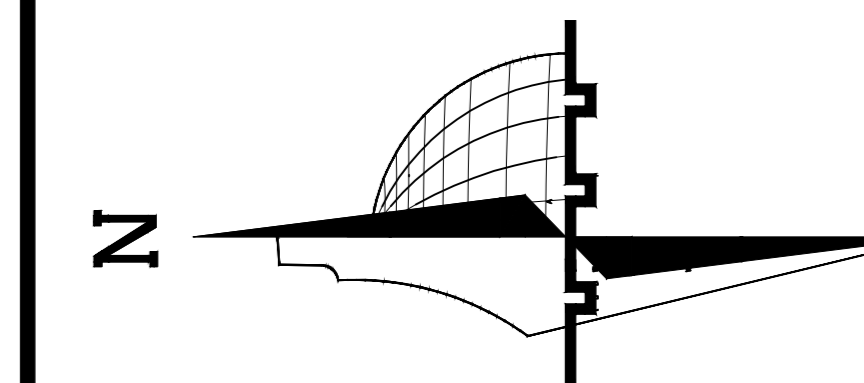
College of Engineering

Civil Engineering Department

Civil Engineering

Graduation Project

Al-Noor Hotel



**Legend :**

- Stone
- R.Concrete
- Concrete
- Hollow Block
- isolating materiales
- Gravel
- Wood
- HEXAGONAL TILES
- BAKLAVA TILES
- GRASS

DRAWING TITLE :

Second Floor Slab  
Distribution of Ribs

Supervisor

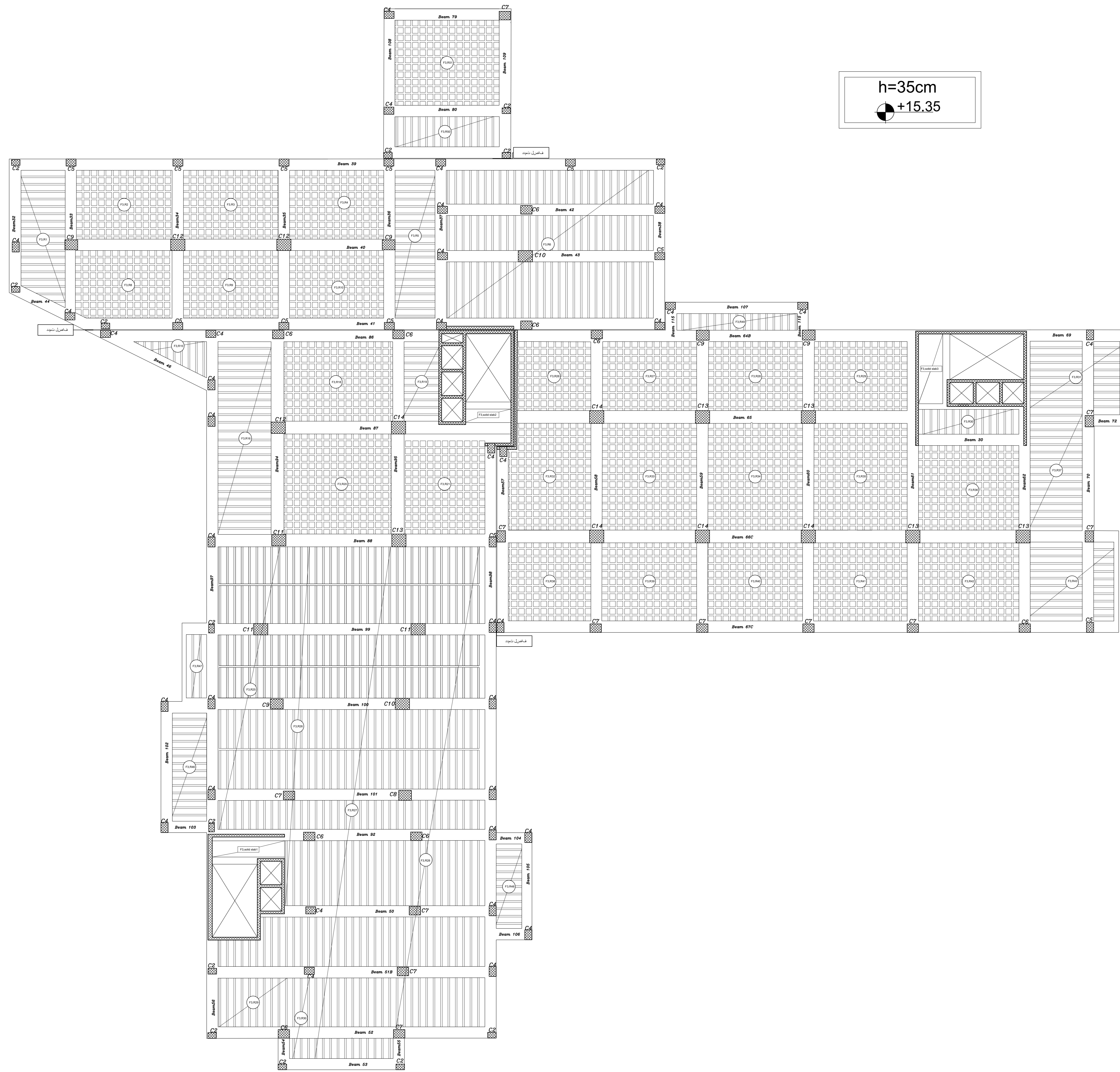
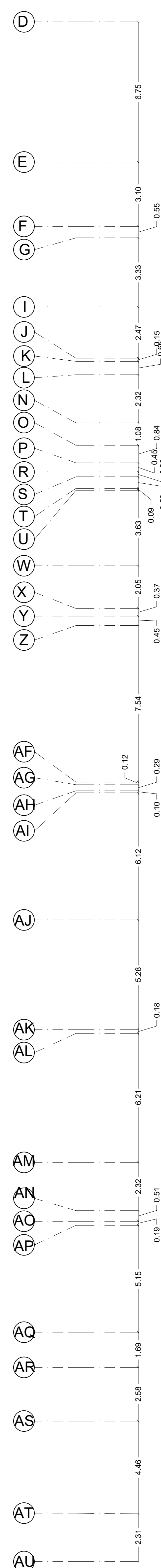
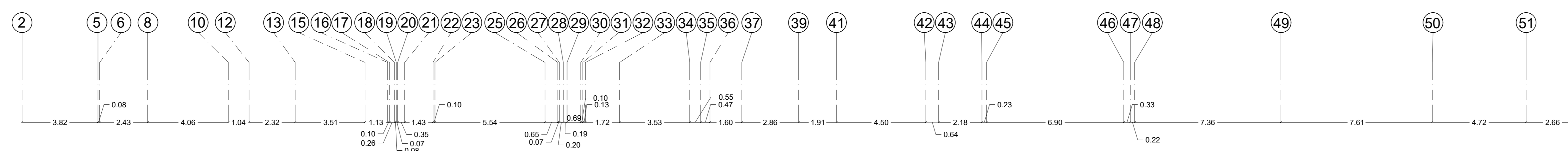
Dr. Nasr Abboushi.

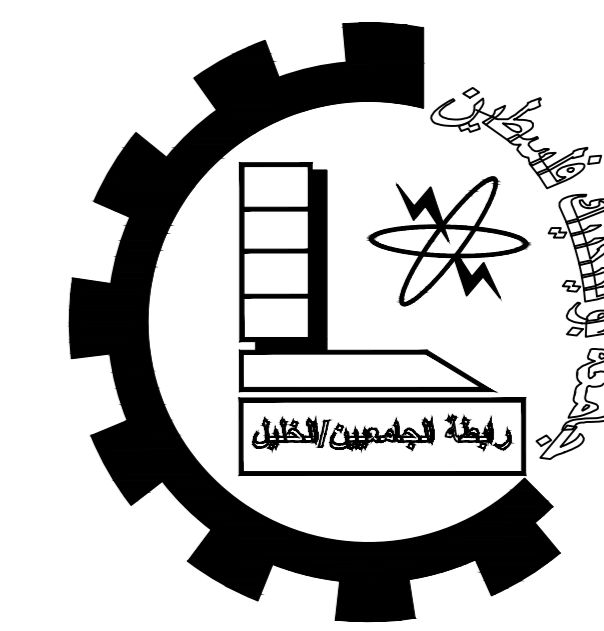
Done by :

Mohammad zareer

Husam Talahmeh

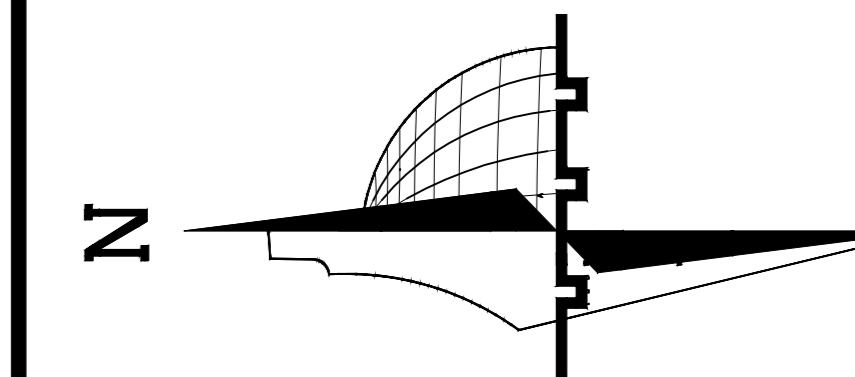
SCALE	No. of DRAW	DATE
1/100	S32	21/01/2024





Palestine Polytechnic University  
 College of Engineering  
 Civil Engineering Department  
 Civil Engineering  
 Graduation Project

Al-Noor Hotel



**Legend :**

- Stone
- R.Concrete
- Concrete
- Hollow Block
- isolating materiales
- Gravel
- Wood
- HEXAGONAL TILES
- BAKLAVA TILES
- GRASS

**DRAWING TITLE :**

Second Floor Slab  
 Ribs Reinforcement

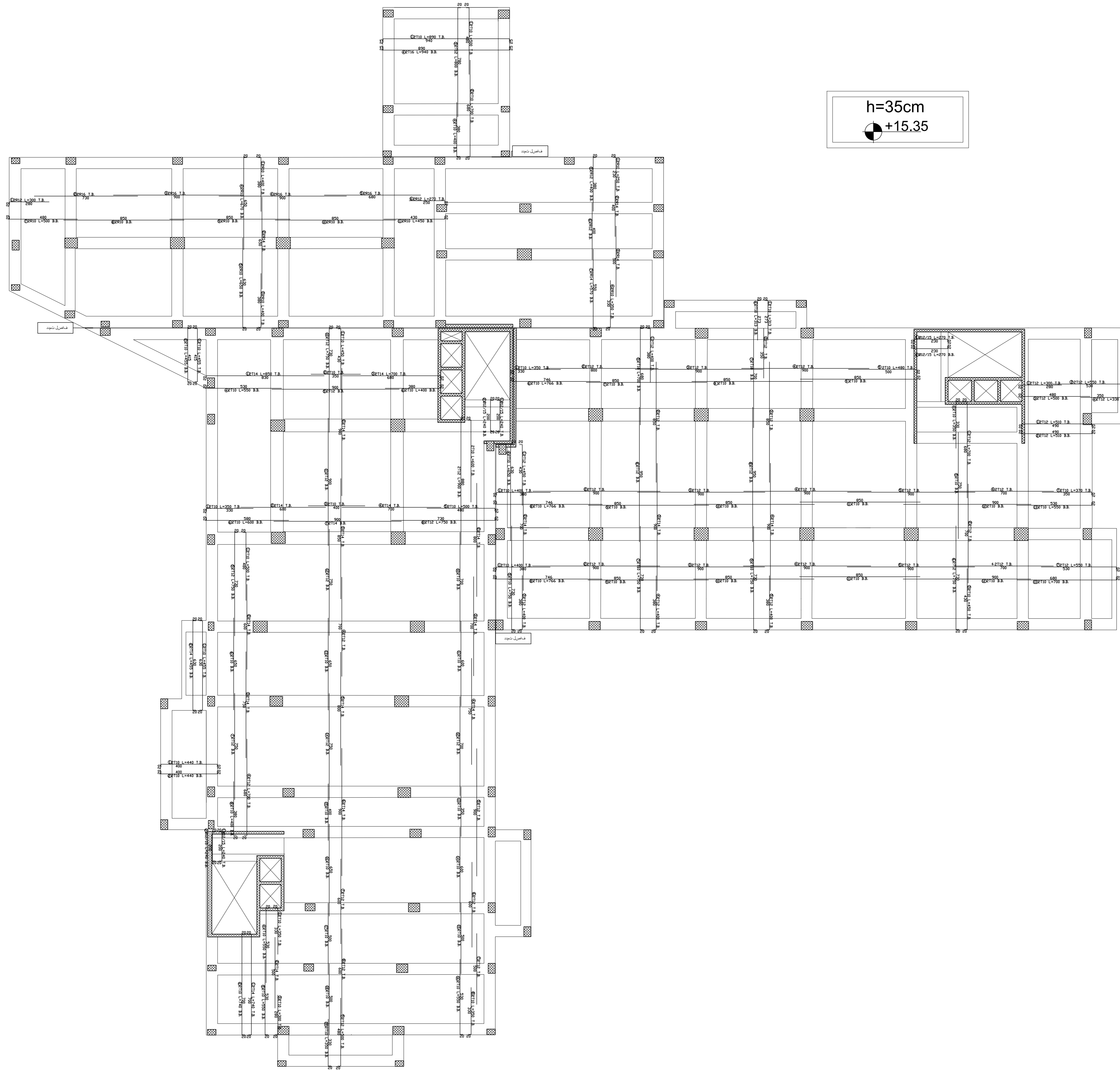
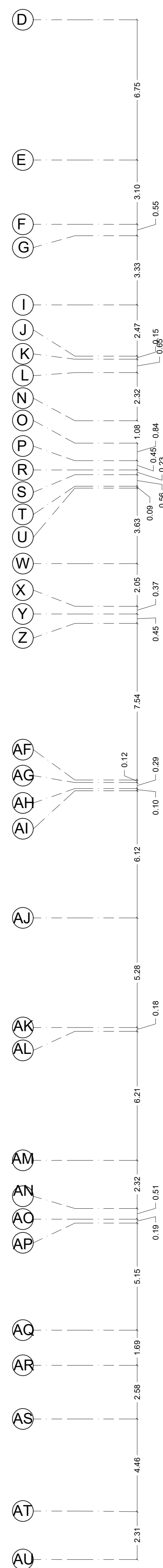
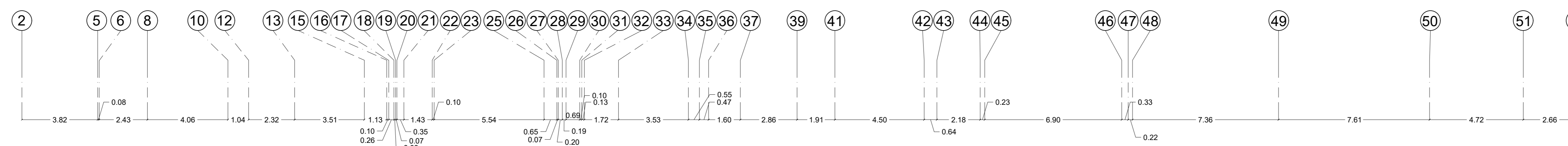
**Supervisor**

Dr. Nasr Abboushi.

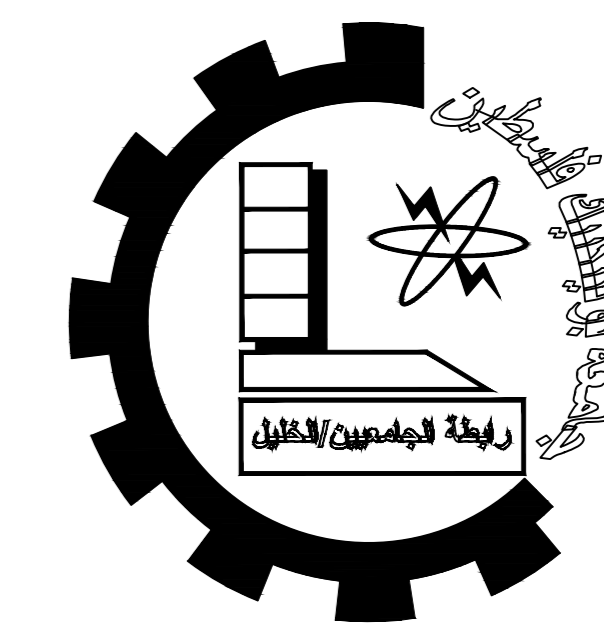
**Done by :**

Mohammad zareer  
 Husam Talahmeh

SCALE	No. of DRAW	DATE
1/100	S33	21/01/2024







Palestine Polytechnic University

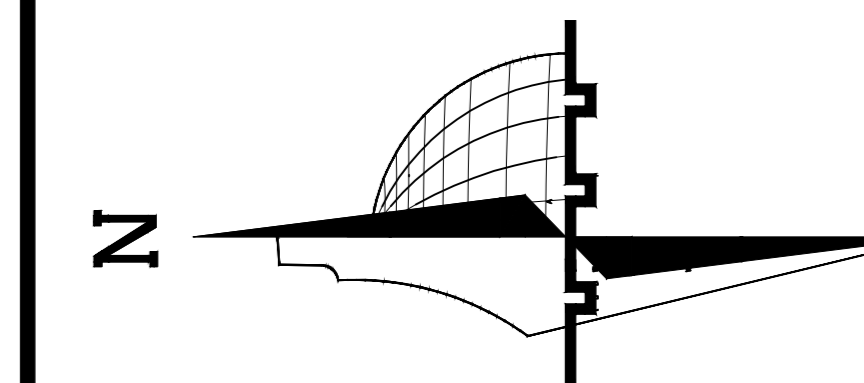
College of Engineering

Civil Engineering Department

Civil Engineering

Graduation Project

Al-Noor Hotel



**Legend :**

- Stone
- R.Concrete
- Concrete
- Hollow Block
- isolating materiales
- Gravel
- Wood
- HEXAGONAL TILES
- BAKLAVA TILES
- GRASS

DRAWING TITLE :

Third Floor Slab  
Distribution of Ribs

Supervisor

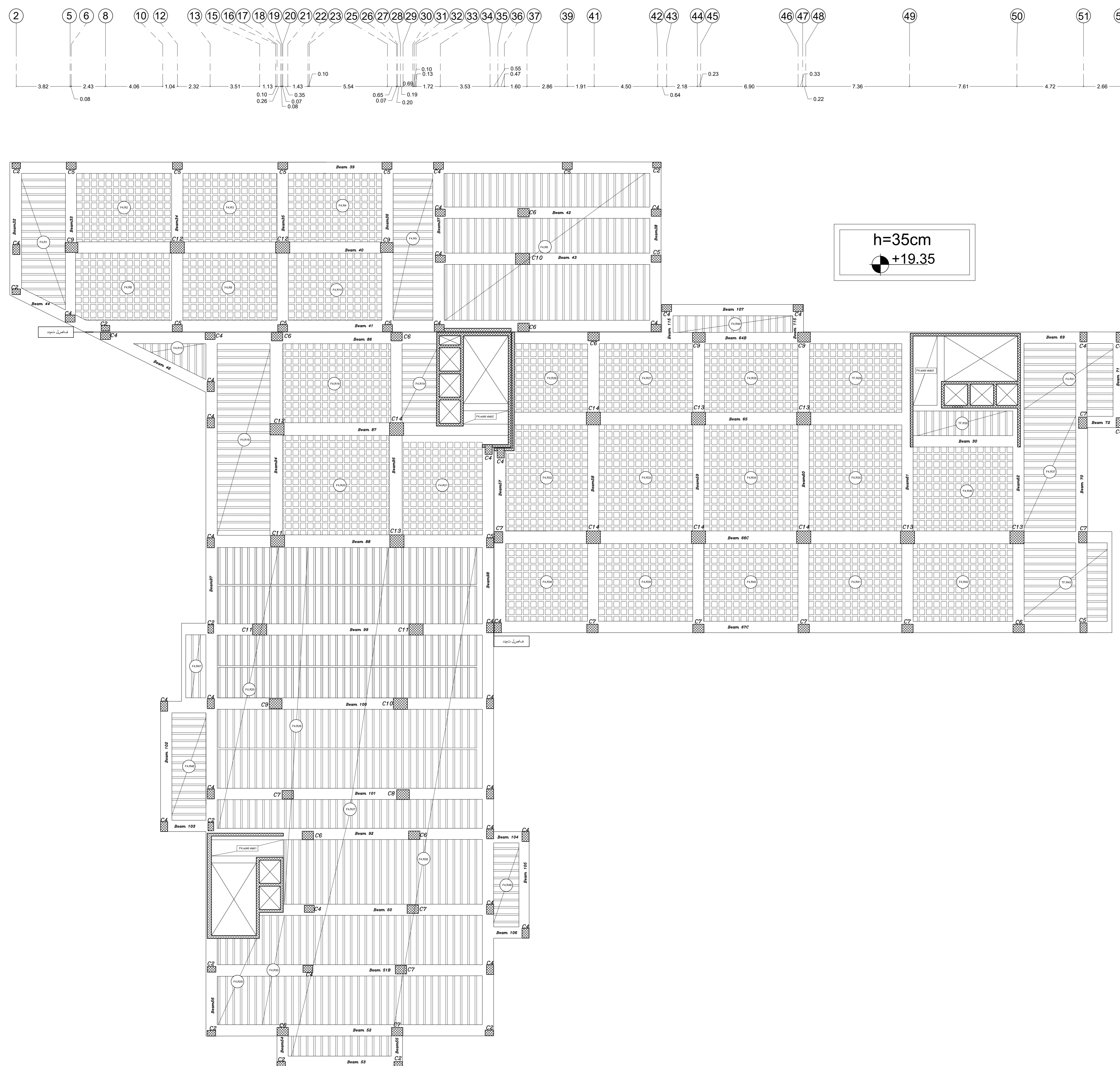
Dr. Nasr Abboushi.

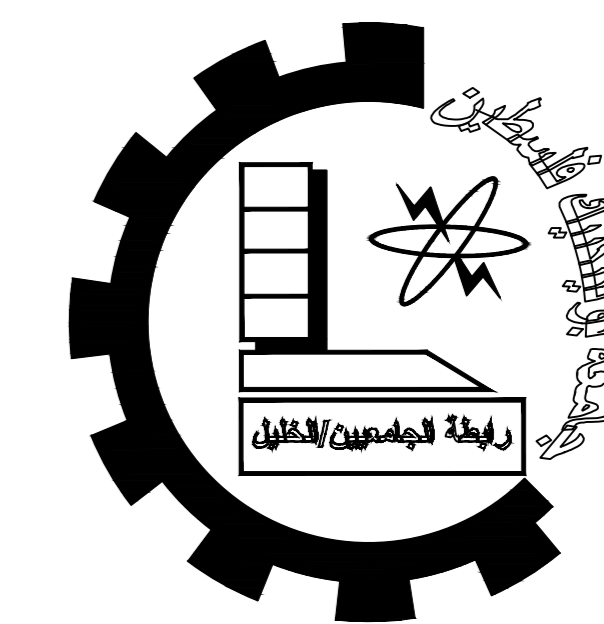
Done by :

Mohammad zareer

Husam Talahmeh

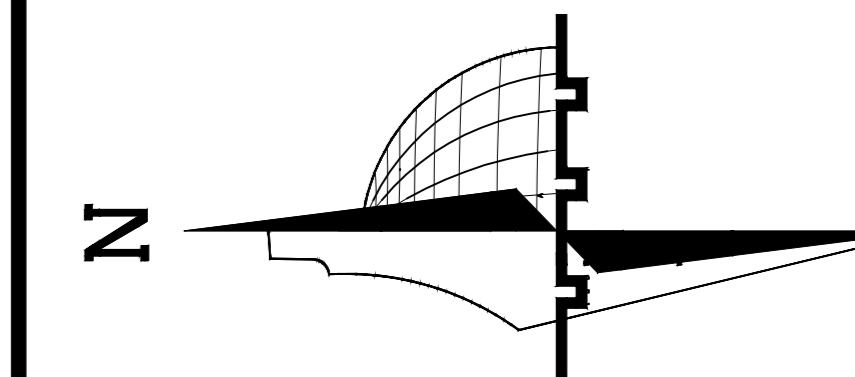
SCALE	No. of DRAW	DATE
1/100	S34	21/01/2024





Palestine Polytechnic University  
 College of Engineering  
 Civil Engineering Department  
 Civil Engineering  
 Graduation Project

Al-Noor Hotel



**Legend :**

- Stone
- R.Concrete
- Concrete
- Hollow Block
- isolating materiales
- Gravel
- Wood
- HEXAGONAL TILES
- BAKLAVA TILES
- GRASS

**DRAWING TITLE :**

Third Floor Slab  
 Ribs Reinforcement

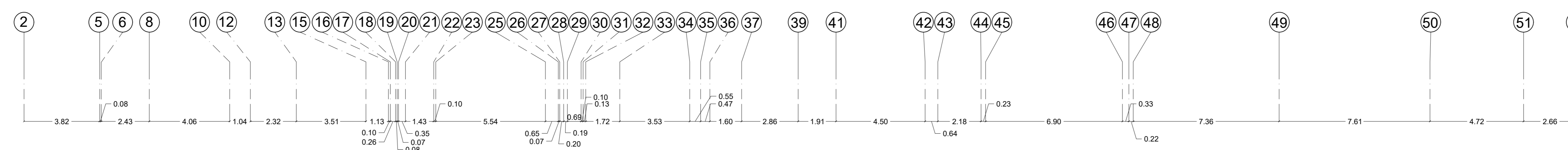
**Supervisor**

Dr. Nasr Abboushi.

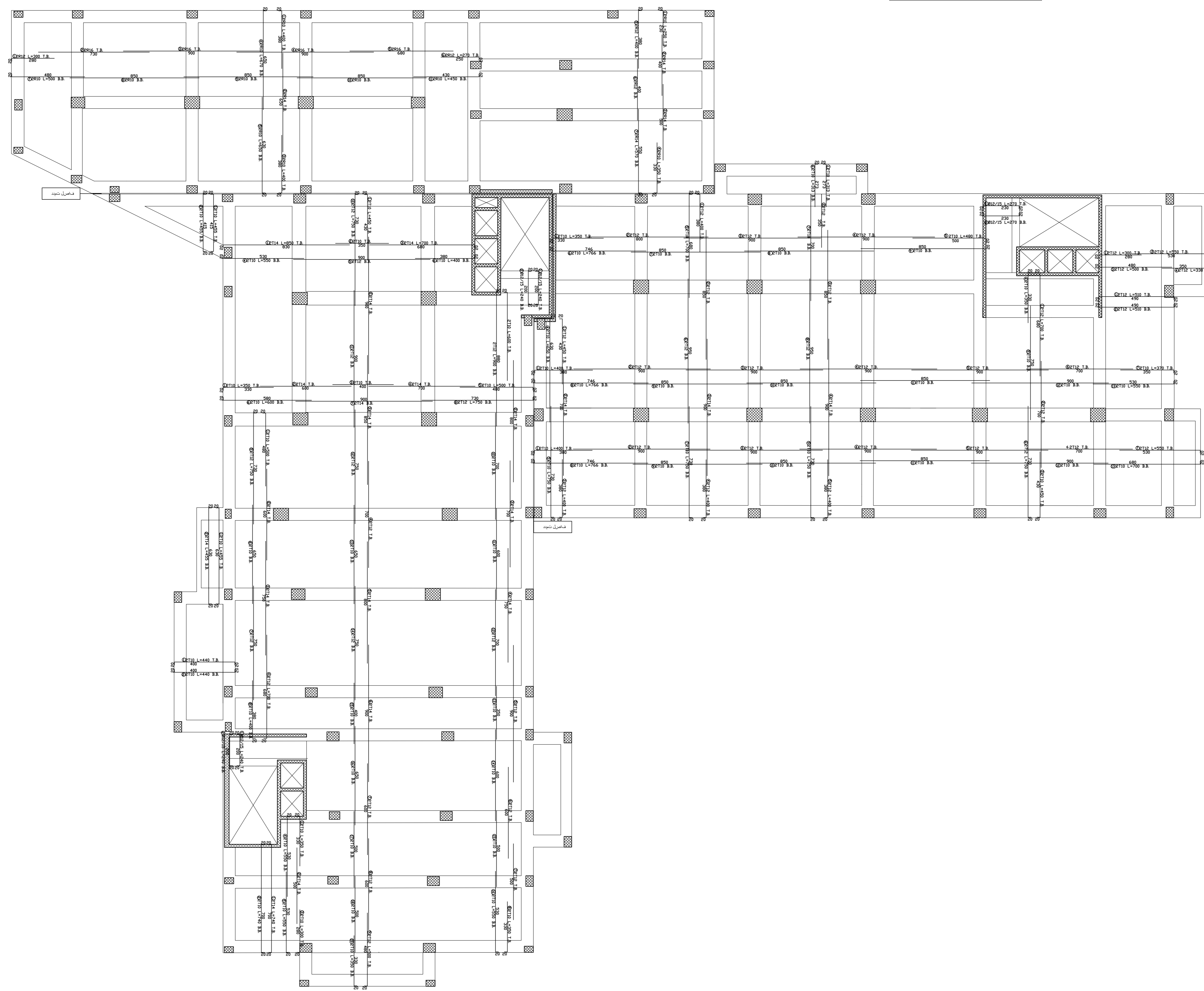
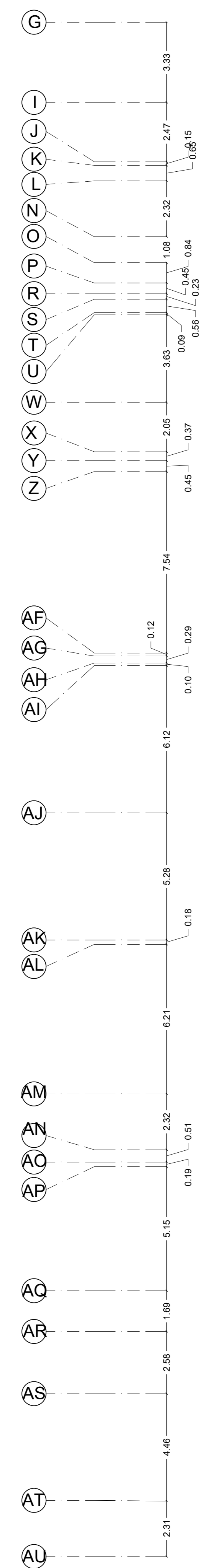
**Done by :**

Mohammad zareer  
 Husam Talahmeh

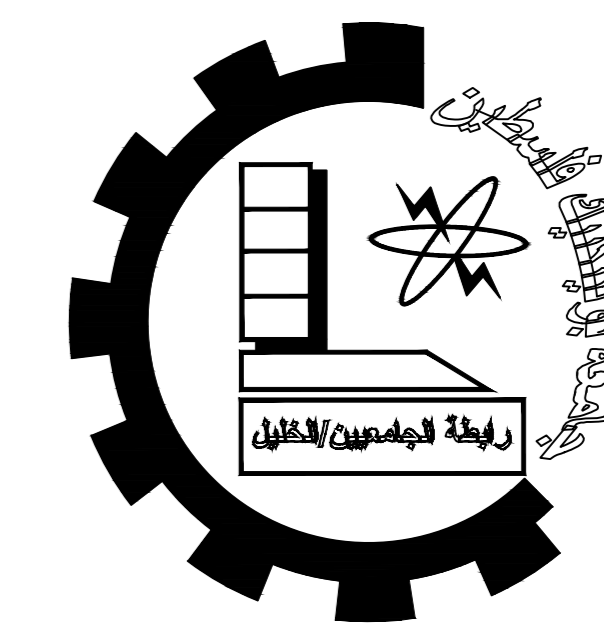
SCALE	No. of DRAW	DATE
1/100	S35	21/01/2024



h=35cm  
 +19.35







Palestine Polytechnic University

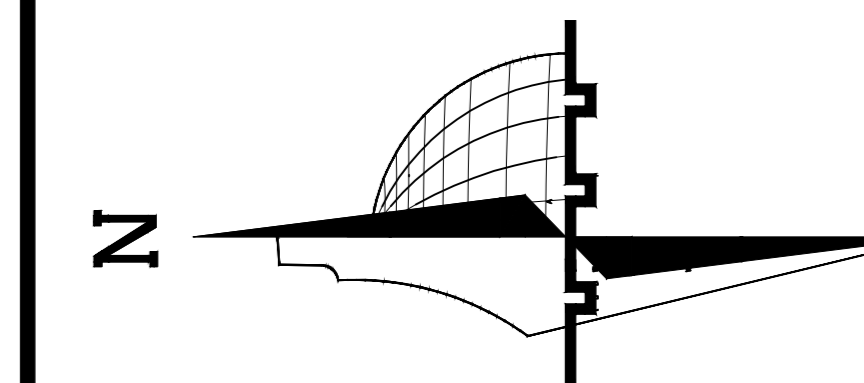
College of Engineering

Civil Engineering Department

Civil Engineering

Graduation Project

Al-Noor Hotel



**Legend :**

- Stone
- R.Concrete
- Concrete
- Hollow Block
- isolating materiales
- Gravel
- Wood
- HEXAGONAL TILES
- BAKLAVA TILES
- GRASS

DRAWING TITLE :

Forth Floor Slab  
Distribution of Ribs

Supervisor

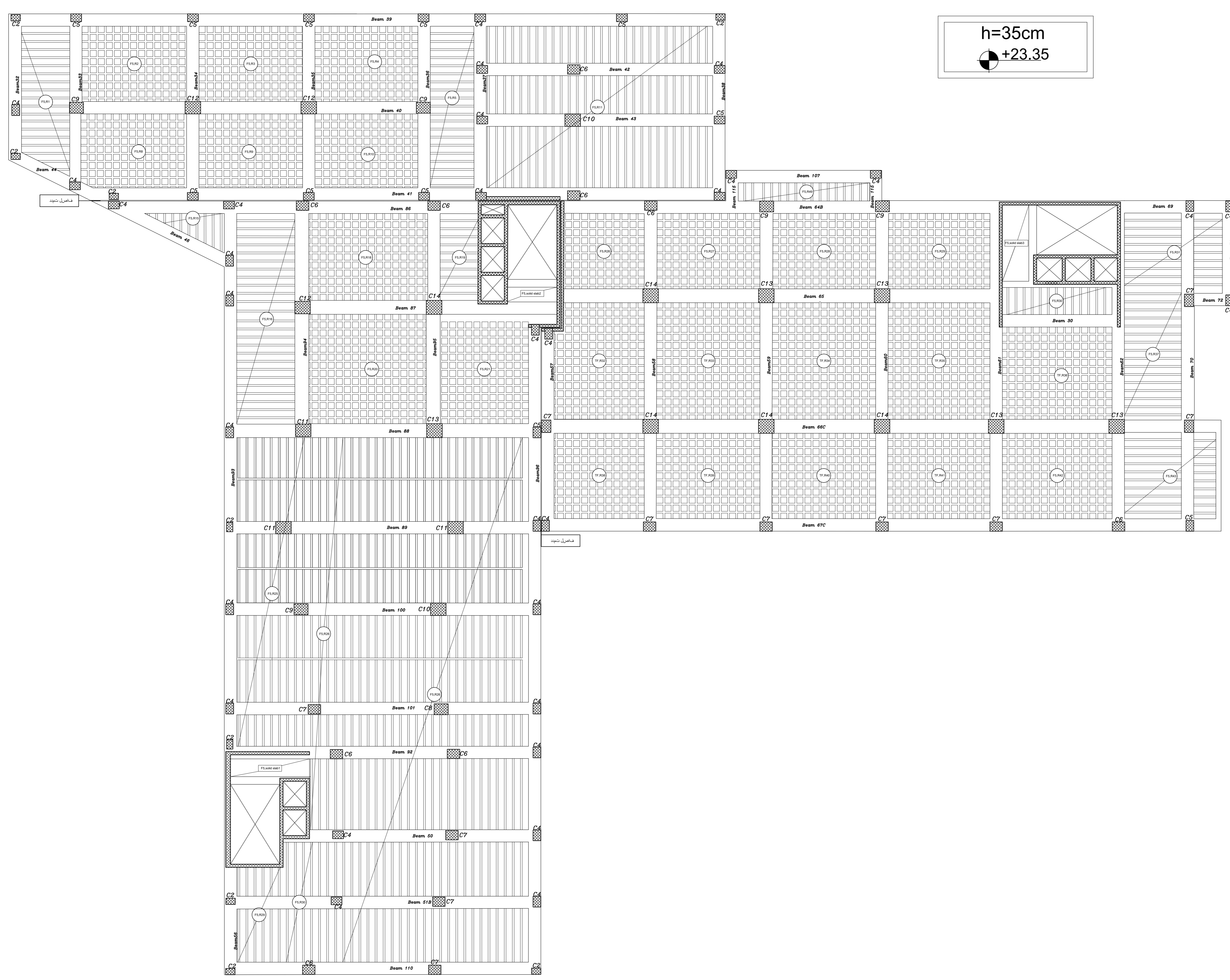
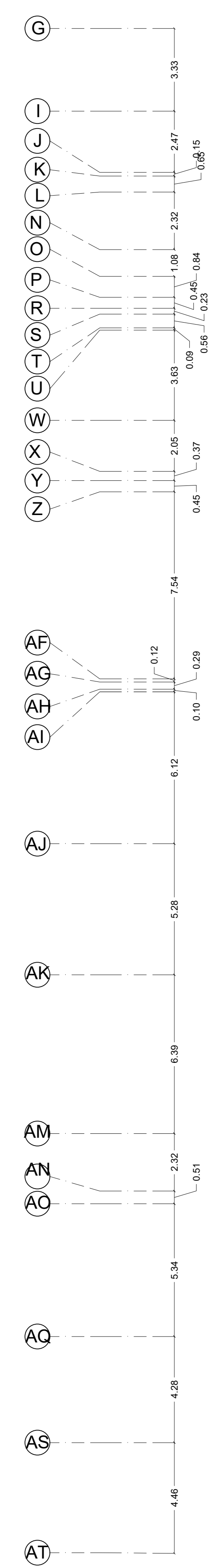
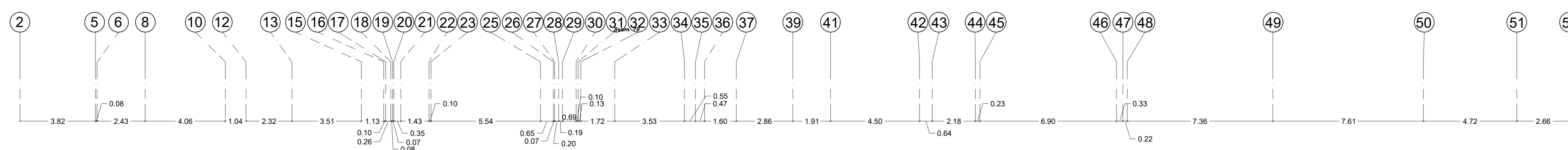
Dr. Nasr Abboushi.

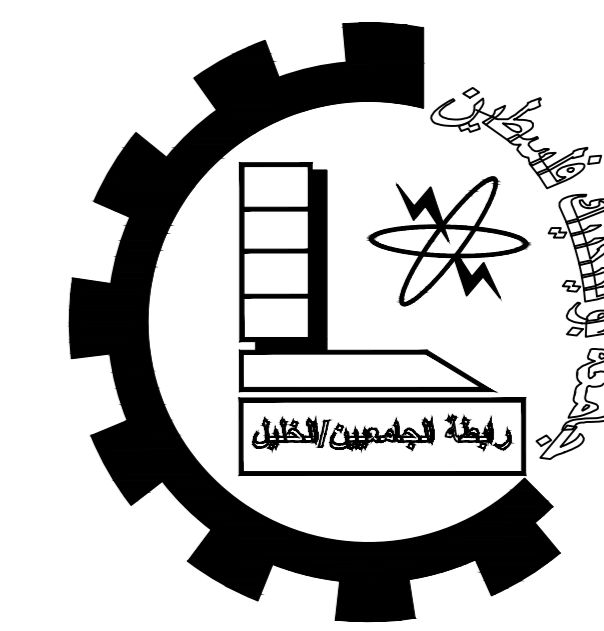
Done by :

Mohammad zareer

Husam Talahmeh

SCALE	No. of DRAW	DATE
1/100	S36	21/01/2024





Palestine Polytechnic University

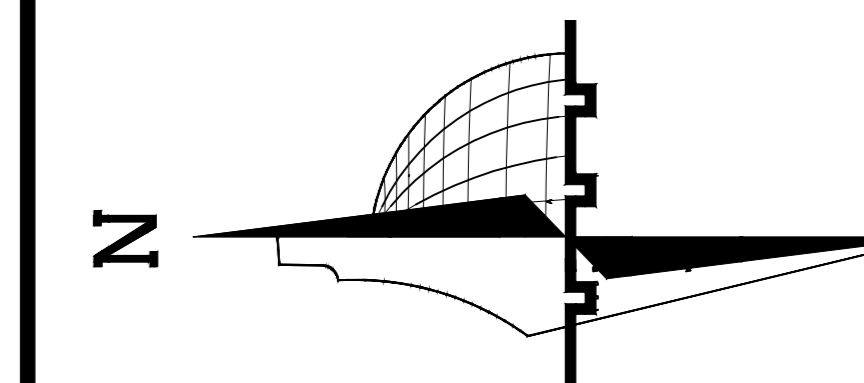
College of Engineering

Civil Engineering Department

Civil Engineering

Graduation Project

Al-Noor Hotel



**Legend :**

- Stone
- R.Concrete
- Concrete
- Hollow Block
- isolating materiales
- Gravel
- Wood
- HEXAGONAL TILES
- BAKLAVA TILES
- GRASS

DRAWING TITLE :

Fourth Floor Slab  
Ribs Reinforcement

Supervisor

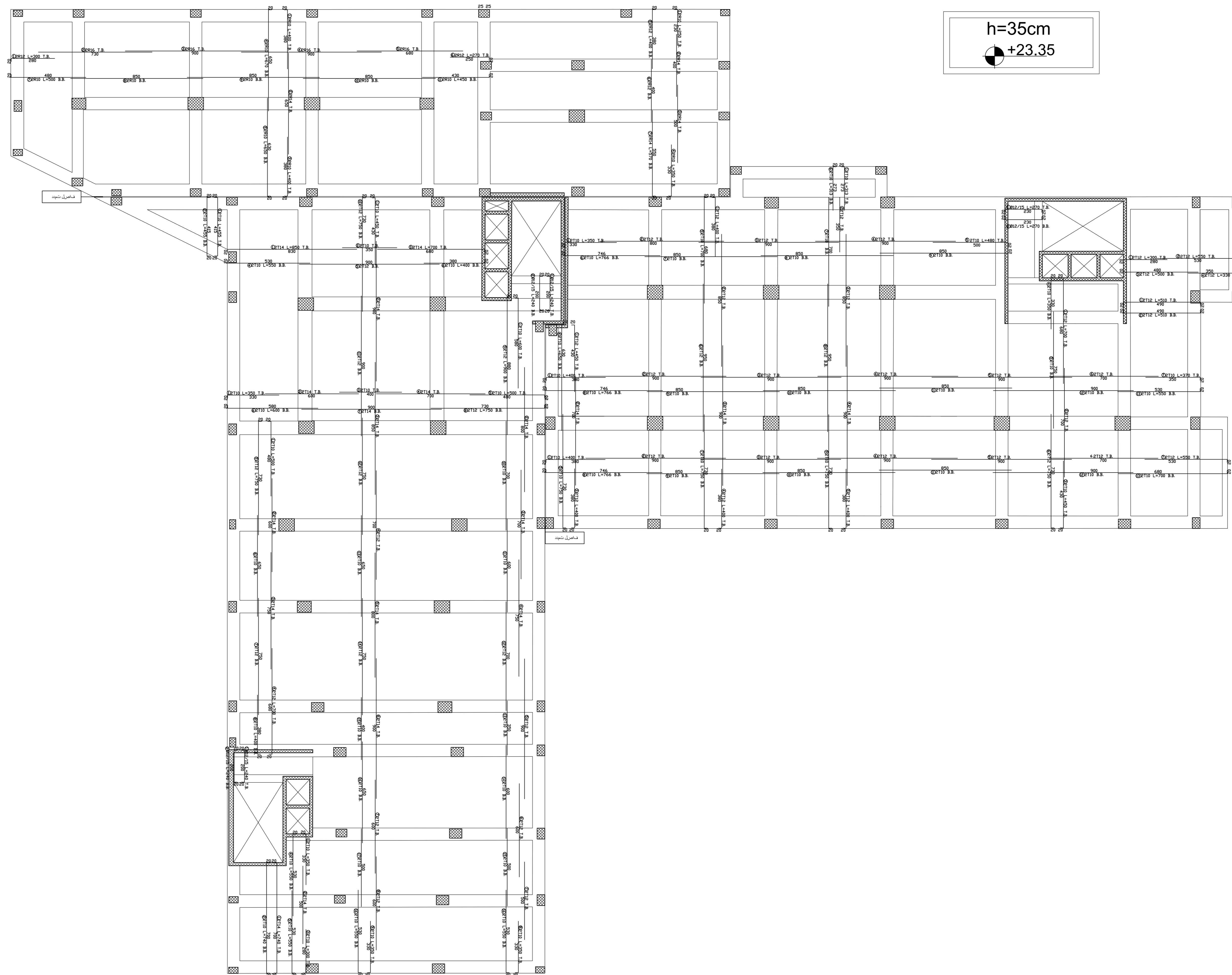
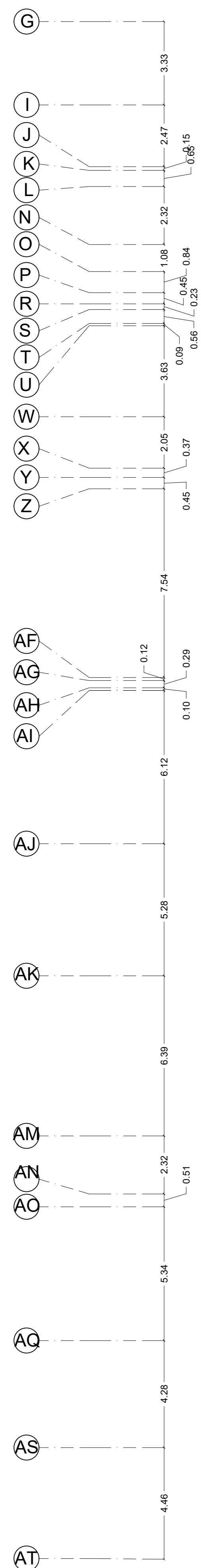
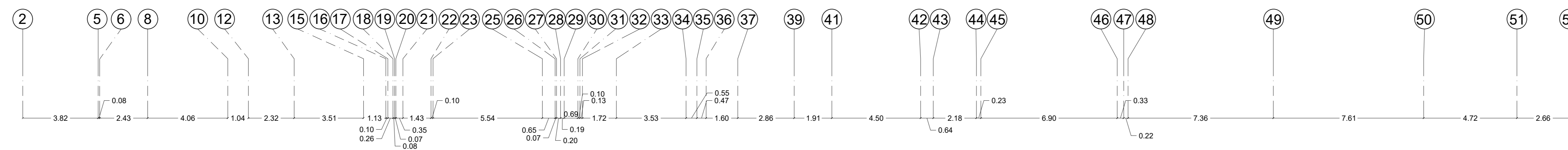
Dr. Nasr Abboushi.

Done by :

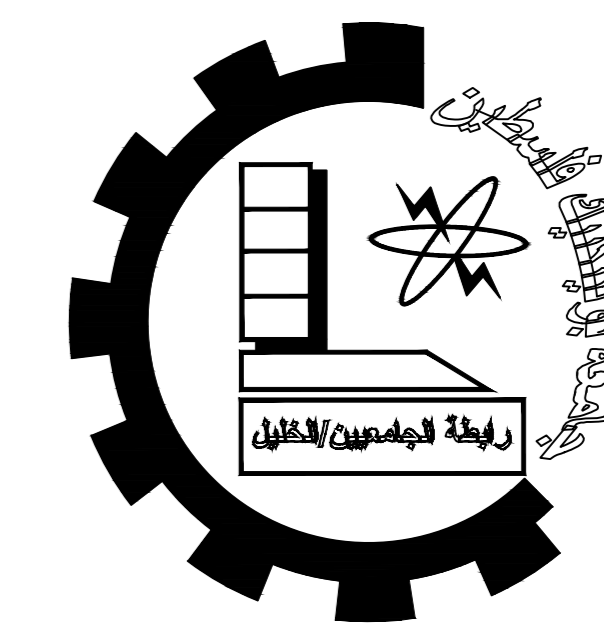
Mohammad zareer

Husam Talahmeh

SCALE	No. of DRAW	DATE
1/100	S37	21/01/2024







Palestine Polytechnic University

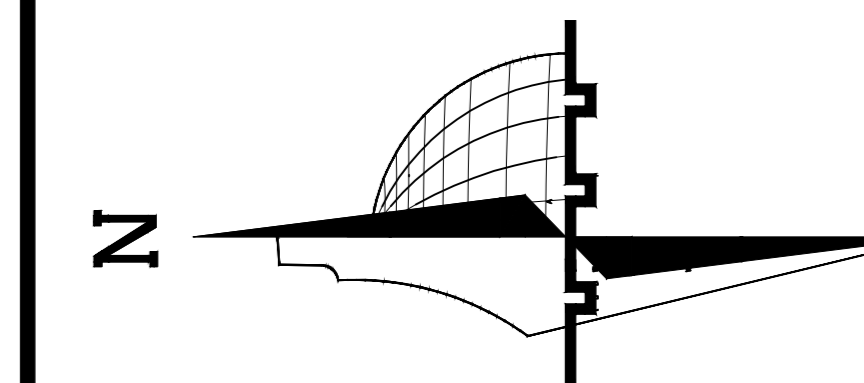
College of Engineering

Civil Engineering Department

Civil Engineering

Graduation Project

Al-Noor Hotel



**Legend :**

- Stone
- R.Concrete
- Concrete
- Hollow Block
- isolating materiales
- Gravel
- Wood
- HEXAGONAL TILES
- BAKLAVA TILES
- GRASS

DRAWING TITLE :

Fifth(Roof) Floor Slab  
Distribution of Ribs

Supervisor

Dr. Nasr Abboushi.

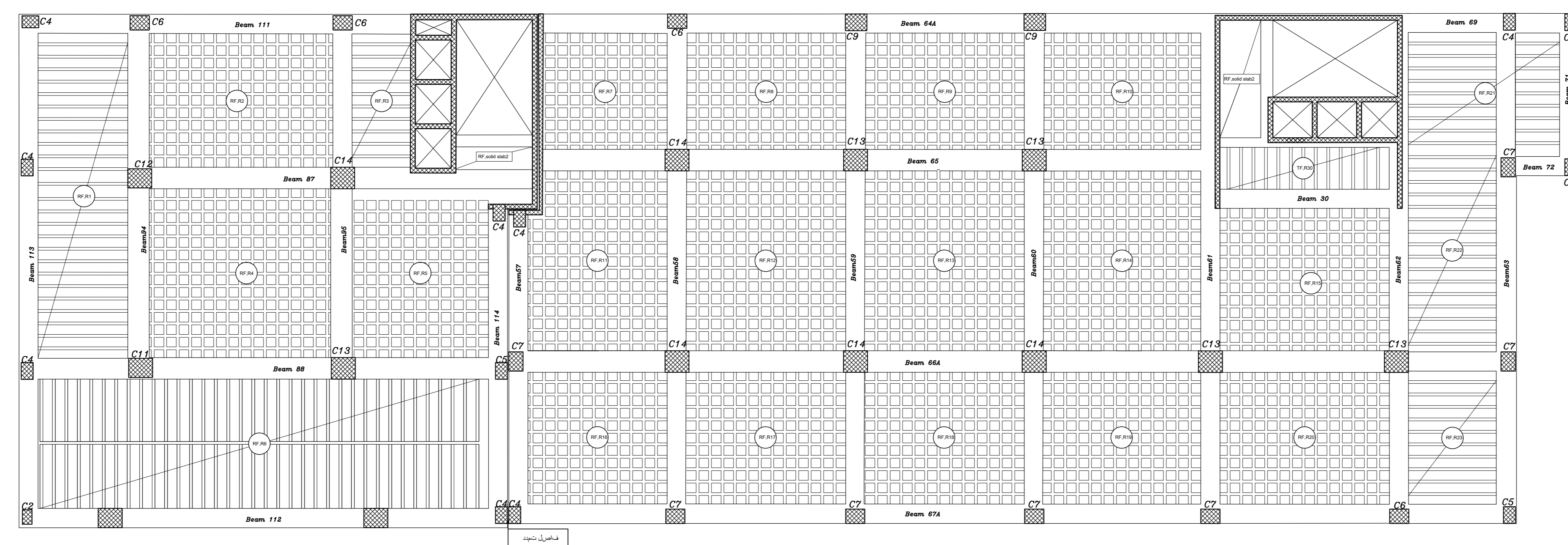
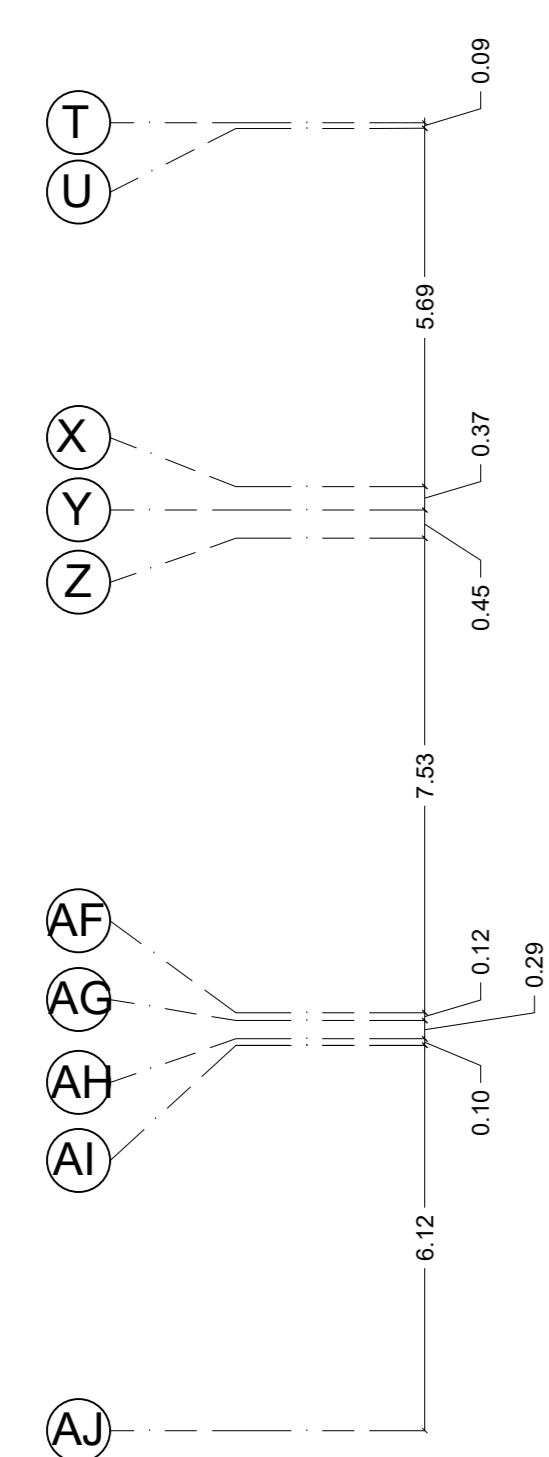
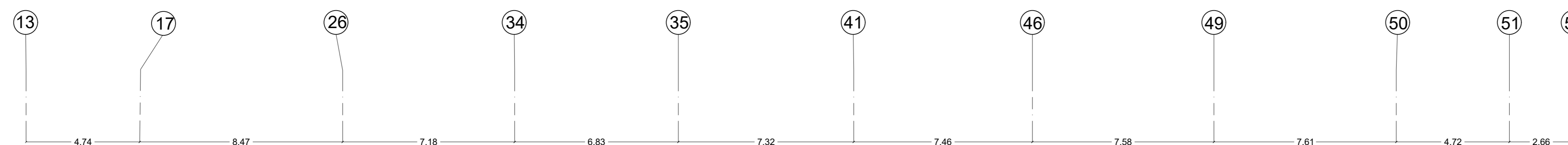
Done by :

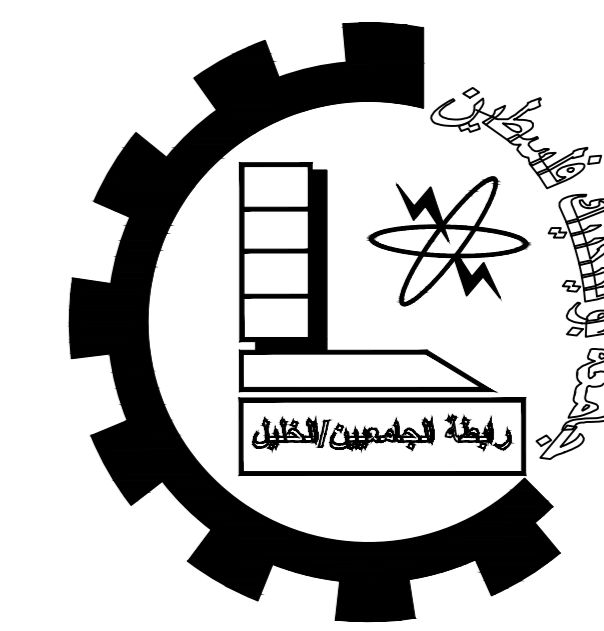
Mohammad zareer

Husam Talahmeh

SCALE	No. of DRAW	DATE
1/100	S38	21/01/2024

h=35cm  
+27.35





Palestine Polytechnic University

College of Engineering

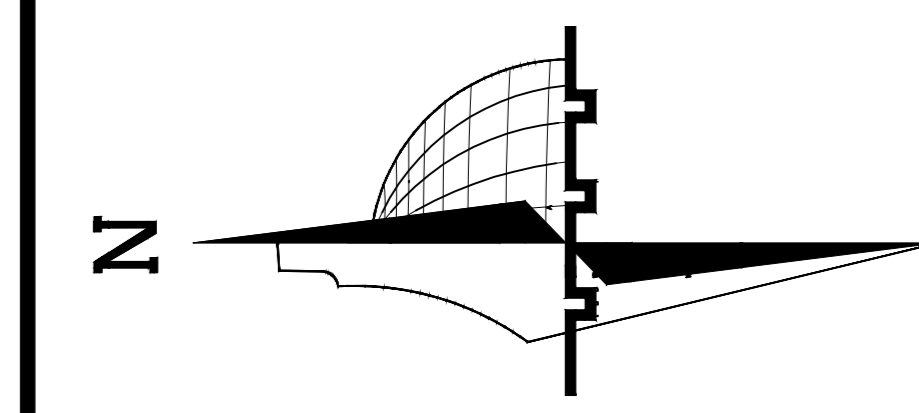
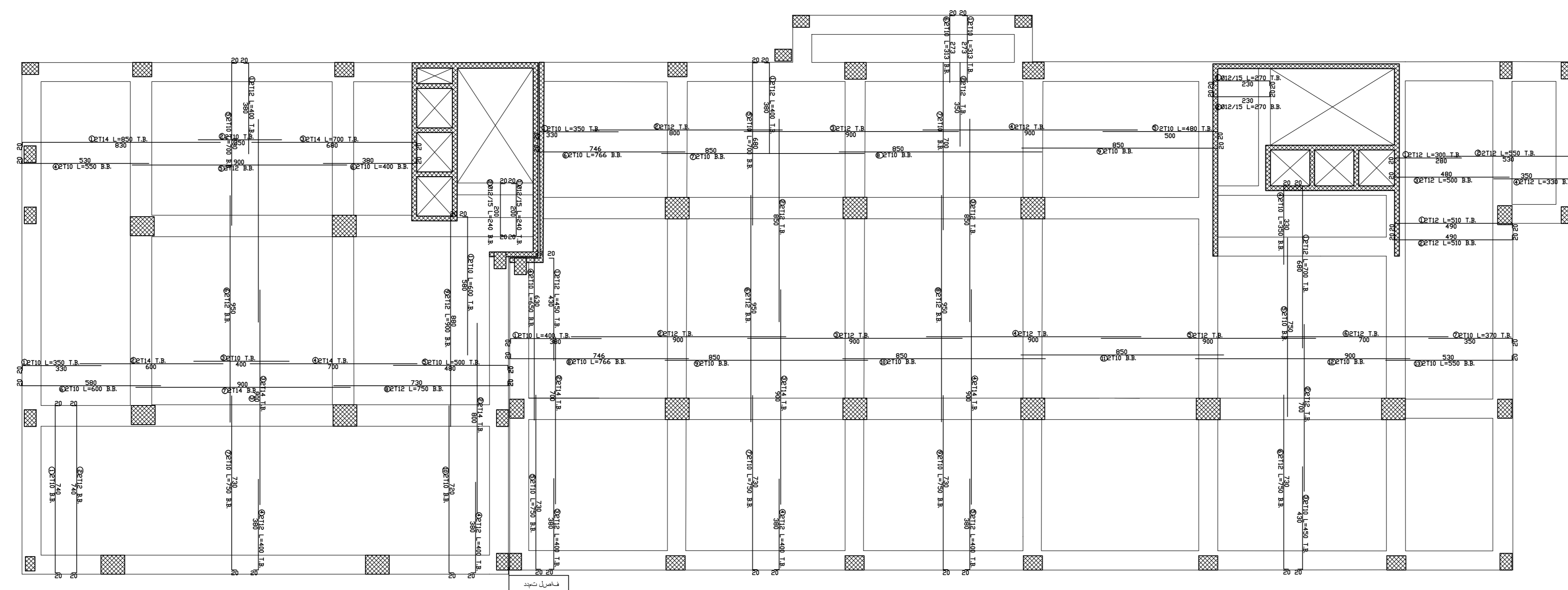
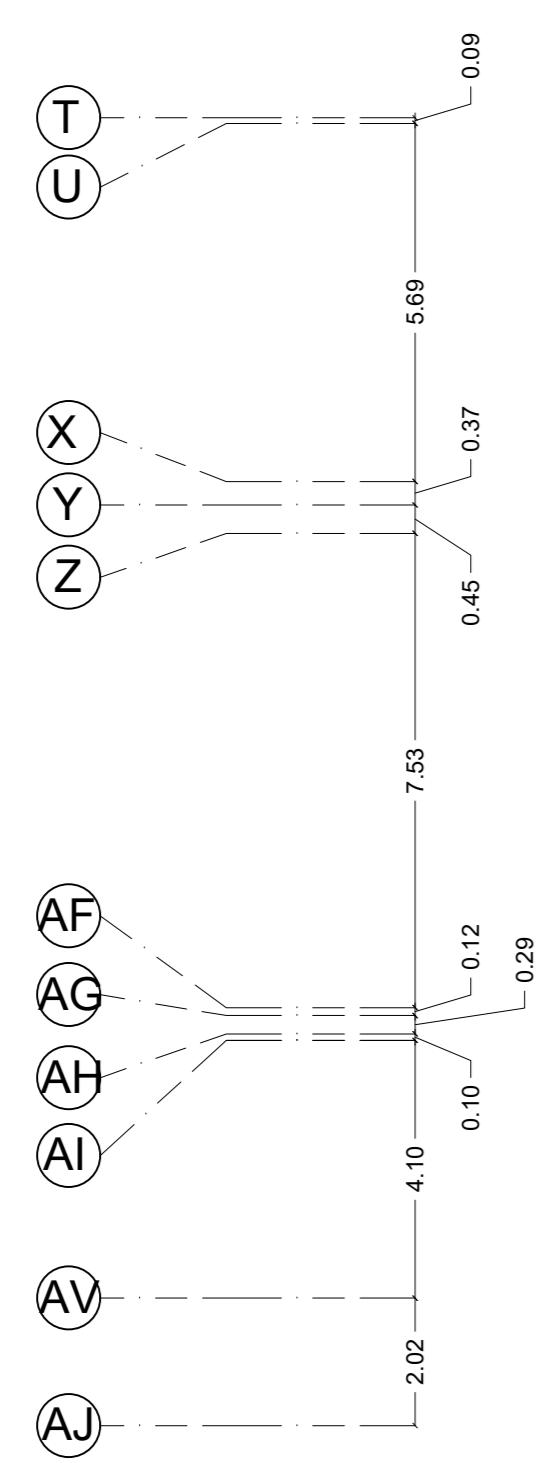
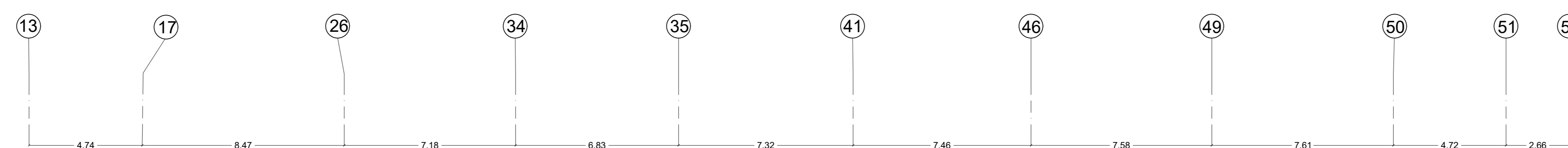
Civil Engineering Department

Civil Engineering

Graduation Project

Al-Noor Hotel

h=35cm  
+27.35



Legend :

- Stone
- R.Concrete
- Concrete
- Hollow Block
- isolating materiales
- Gravel
- Wood
- HEXAGONAL TILES
- BAKLAVA TILES
- GRASS

DRAWING TITLE :

Fifth(roof) Floor Slab  
Ribs Reinforcement

Supervisor

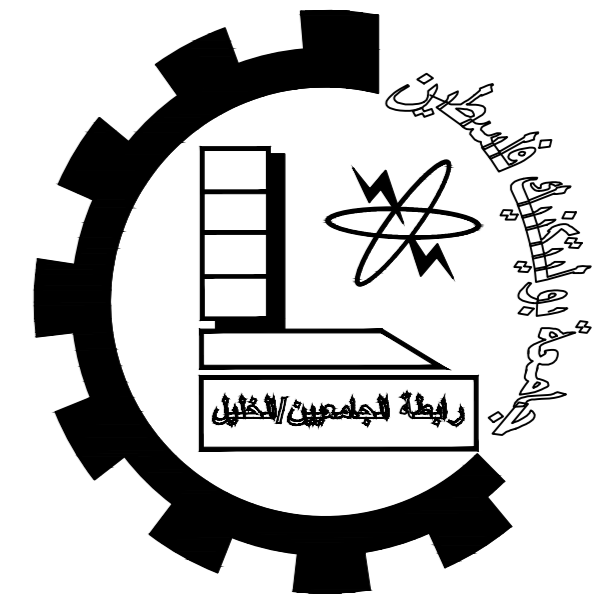
Dr. Nasr Abboushi.

Done by :

Mohammad zareer  
Husam Talahmeh

SCALE	No. of DRAW	DATE
1/100	S39	21/01/2024





Palestine Polytechnic University

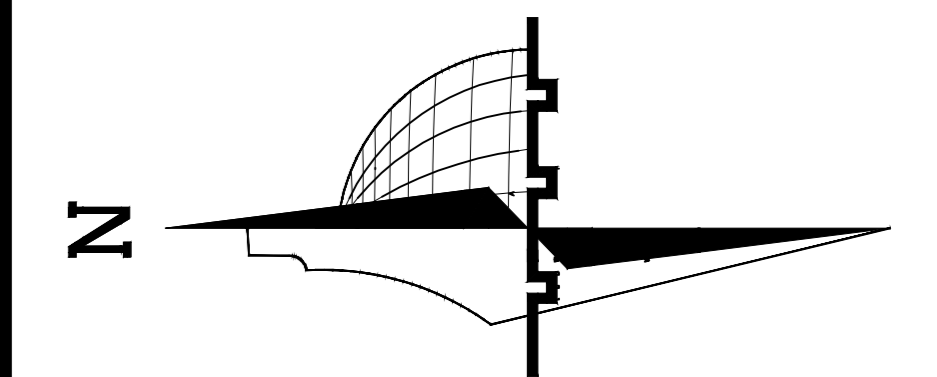
College of Engineering

Civil Engineering Department

Civil Engineering

Graduation Project

Al-Noor Hotel



**Legend :**

- Stone
- R.Concrete
- Concrete
- Hollow Block
- isolating materials
- Gravel
- Wood
- HEXAGONAL TILES
- BAKLAVA TILES
- GRASS

DRAWING TITLE :

Beams Reinforcement

Supervisor

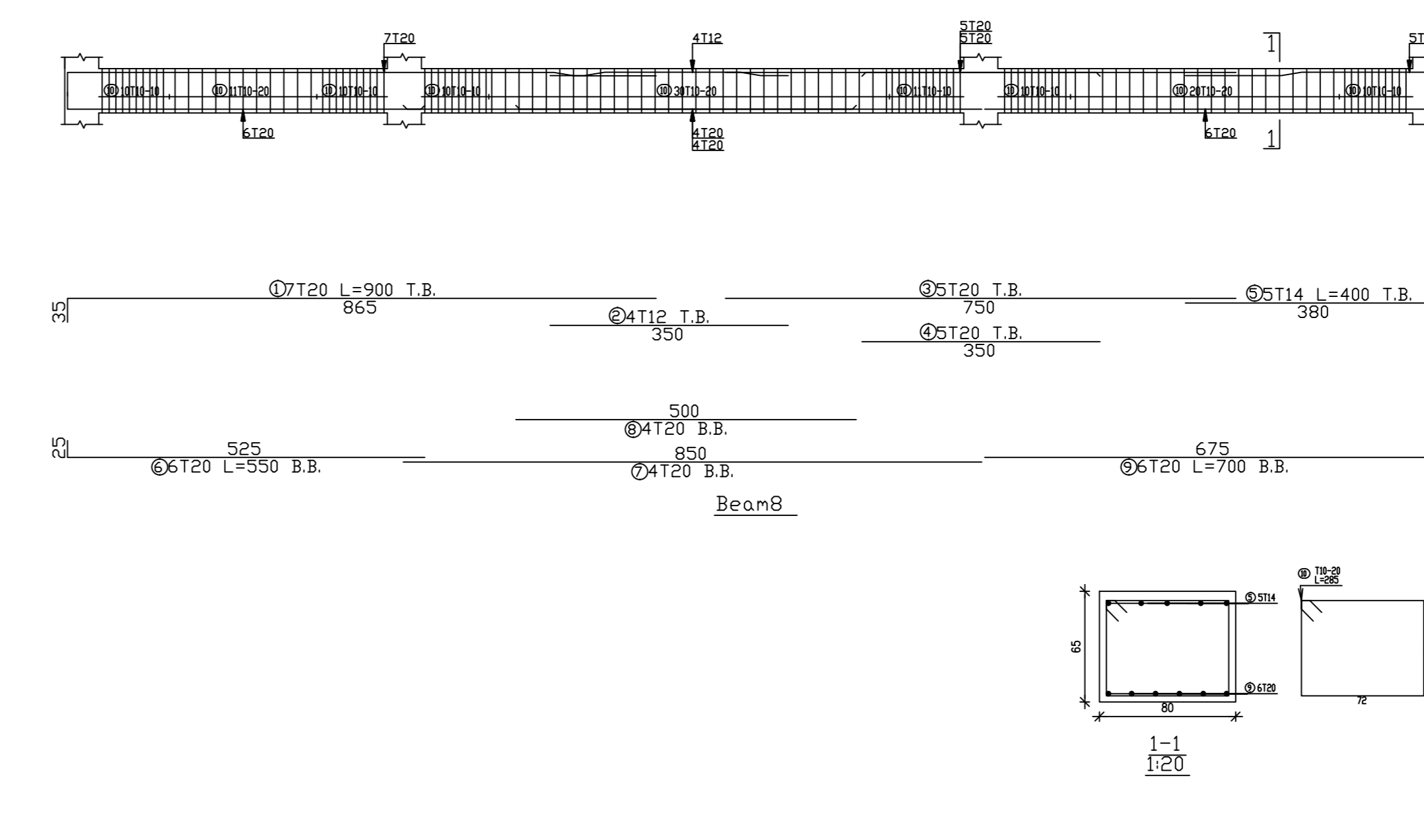
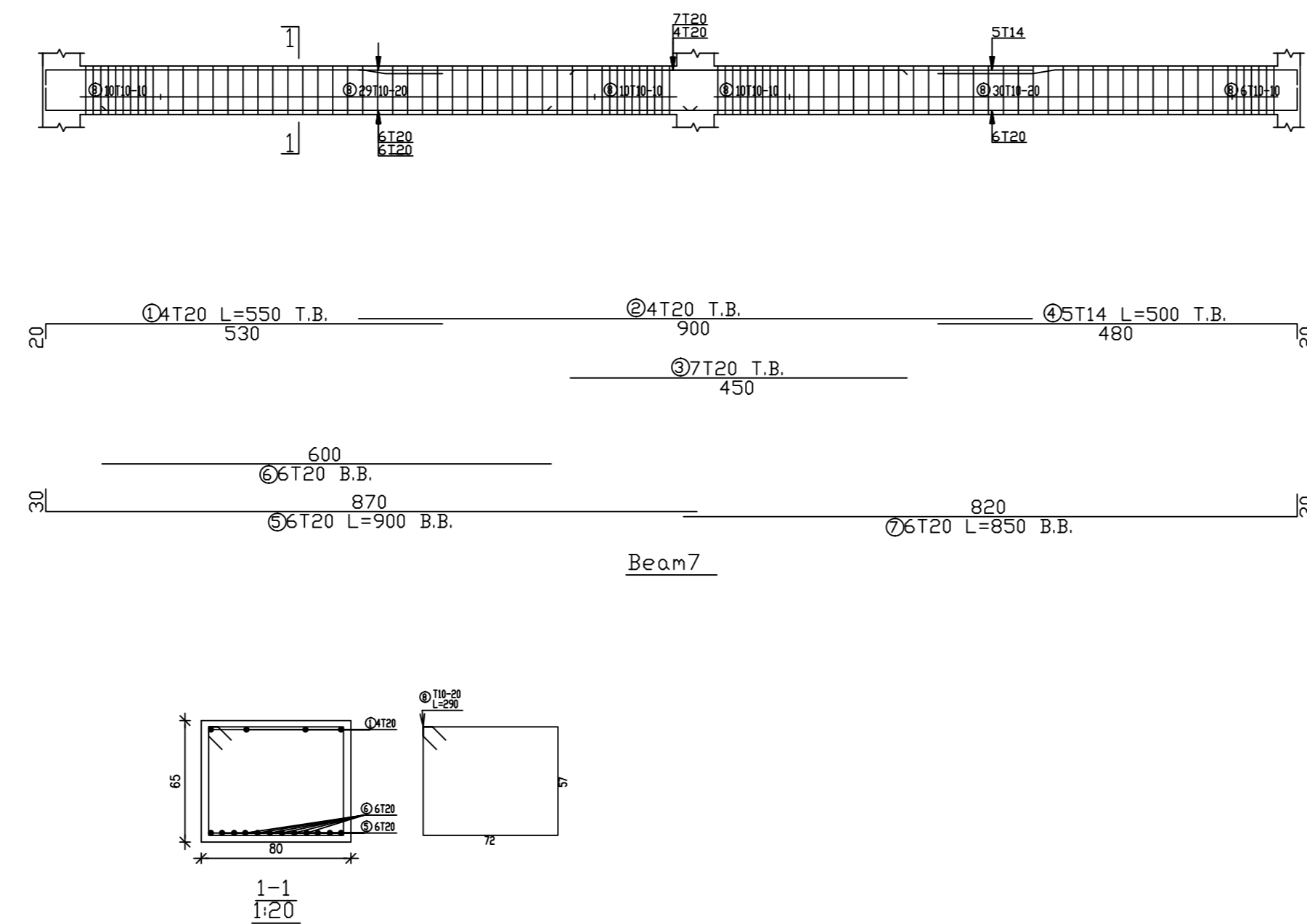
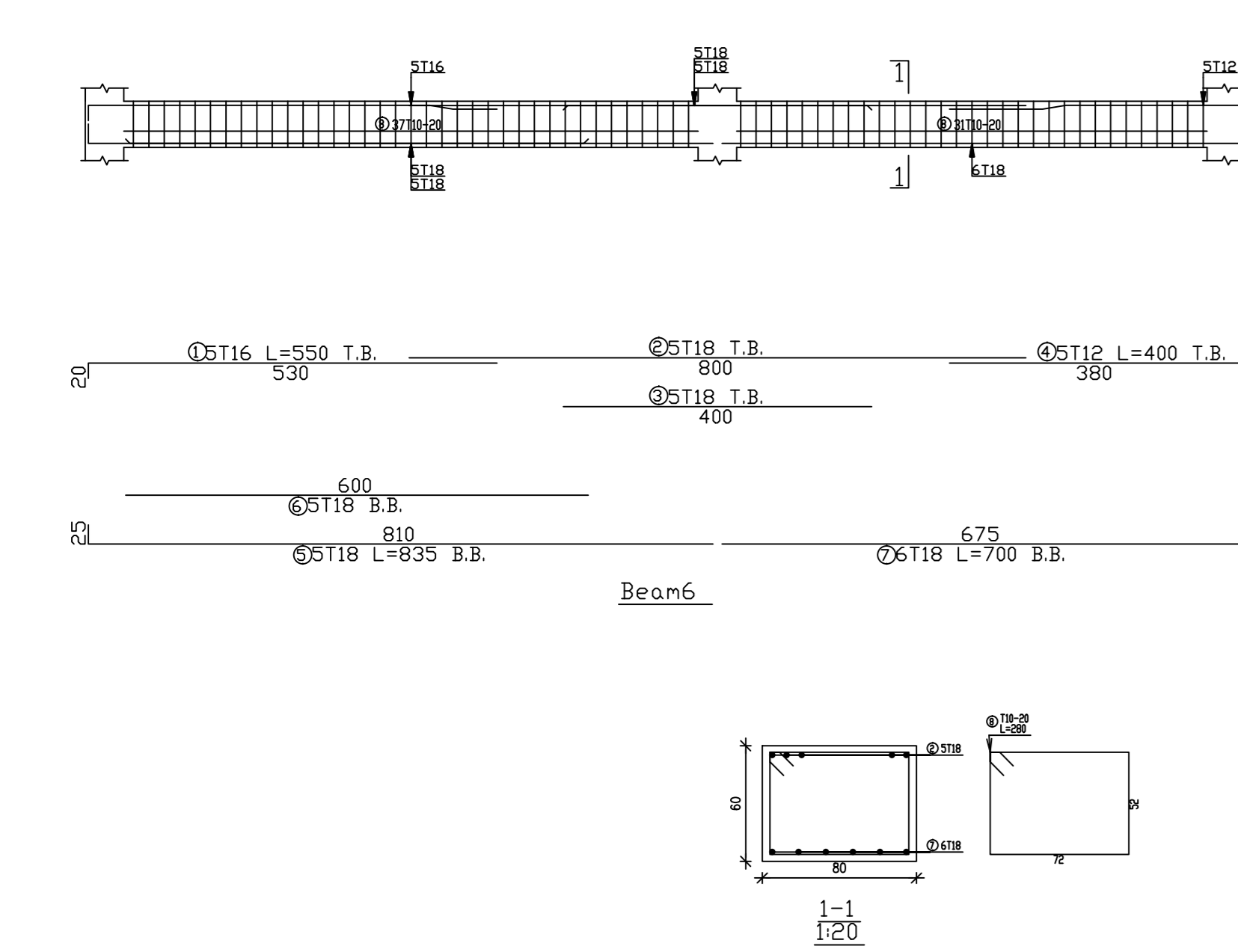
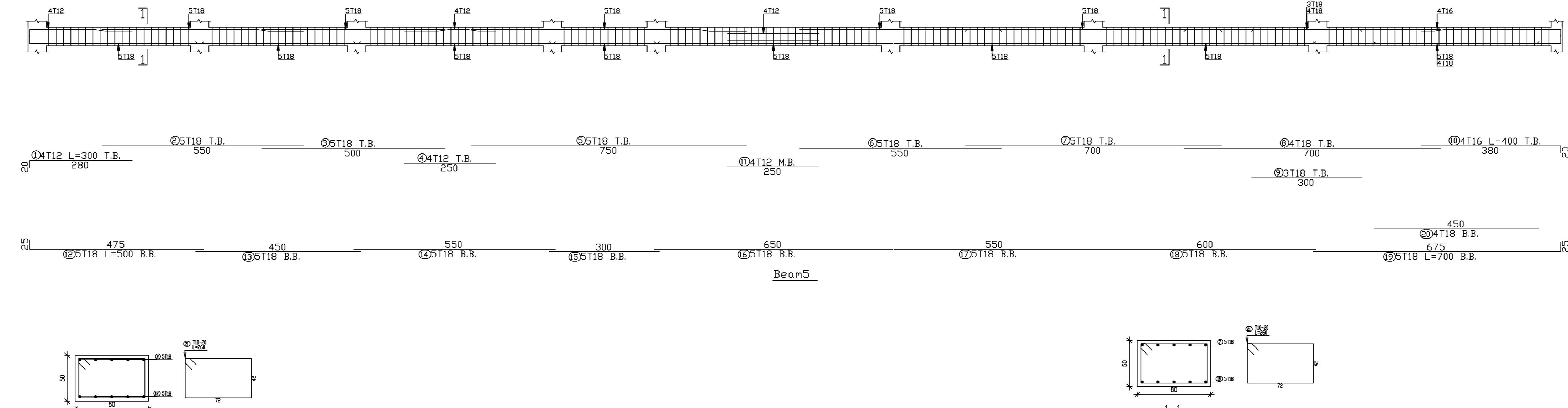
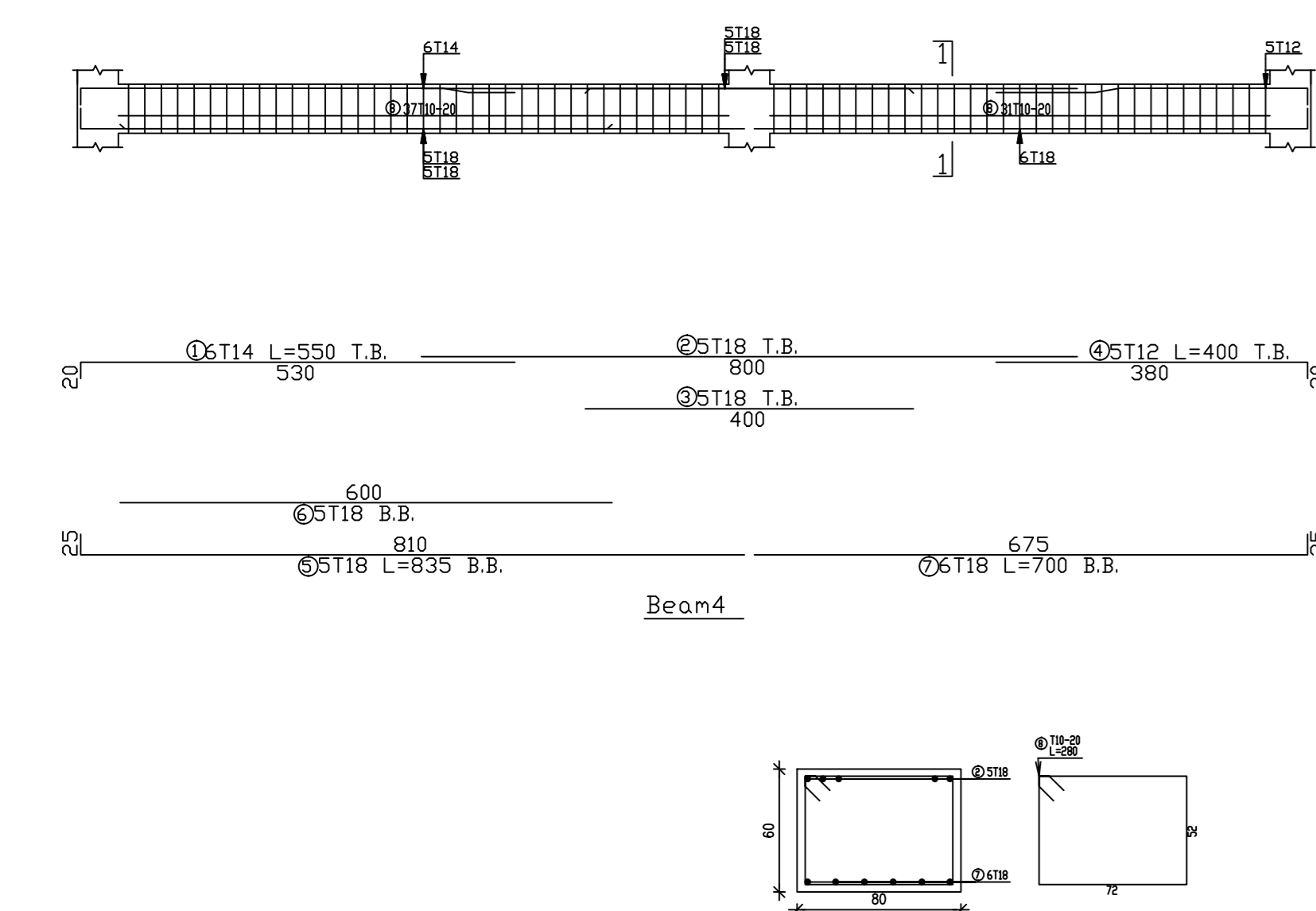
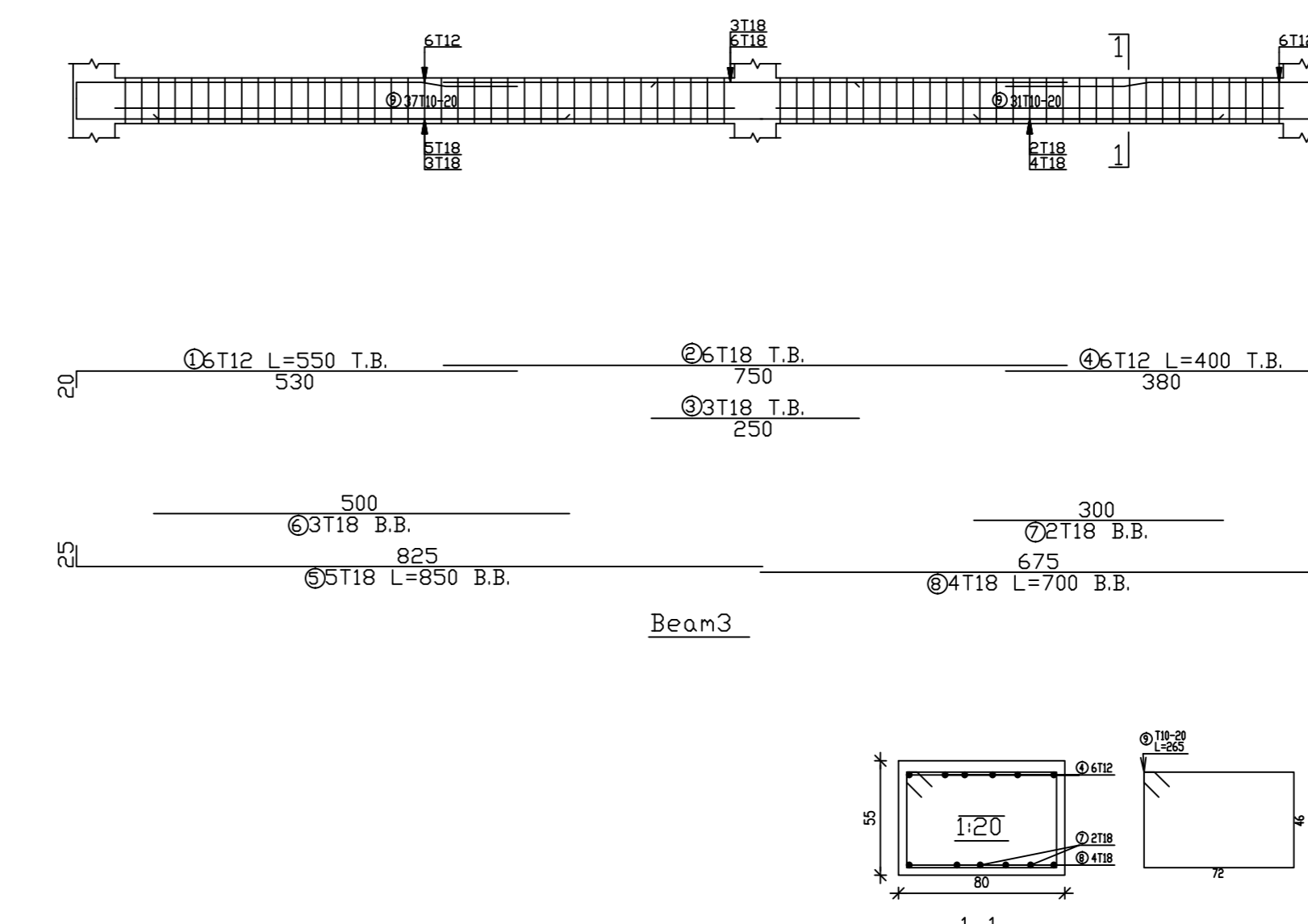
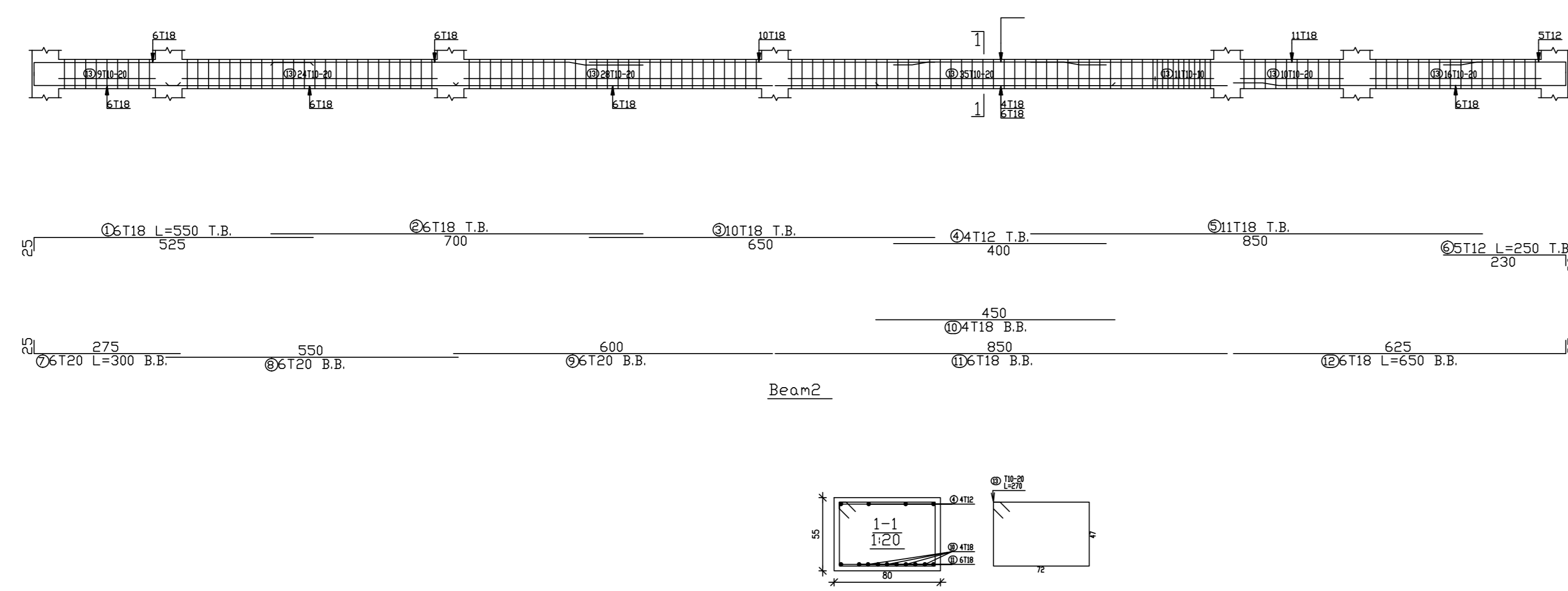
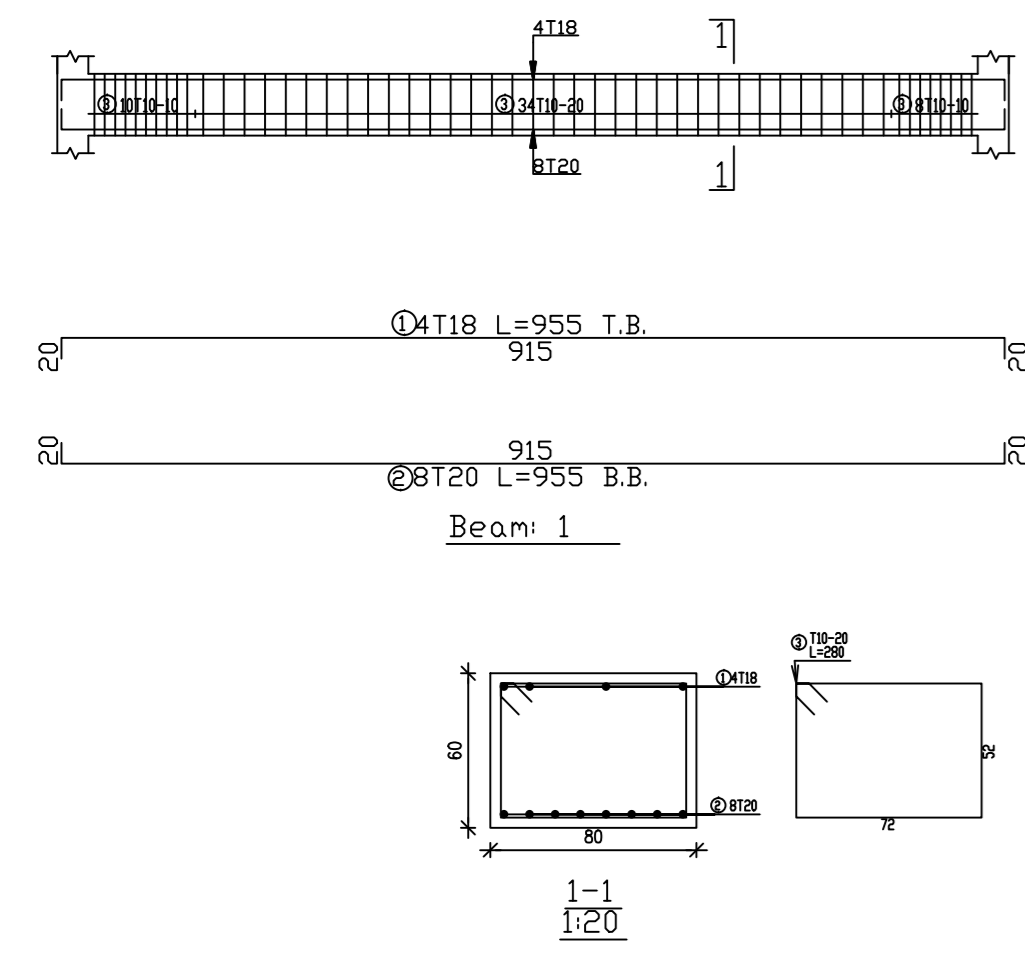
Dr. Nasr Abboushi.

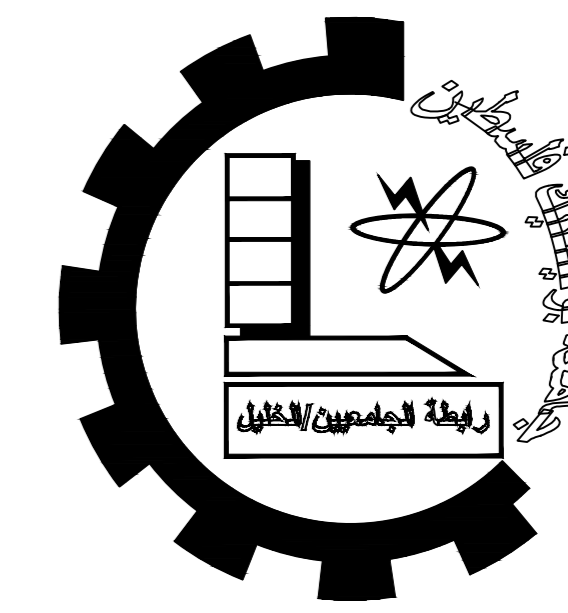
Done by :

Mohammad zareer

Husam Talahmeh

SCALE	No. of DRAW	DATE
1/100	S40	21/01/2024





Palestine Polytechnic University

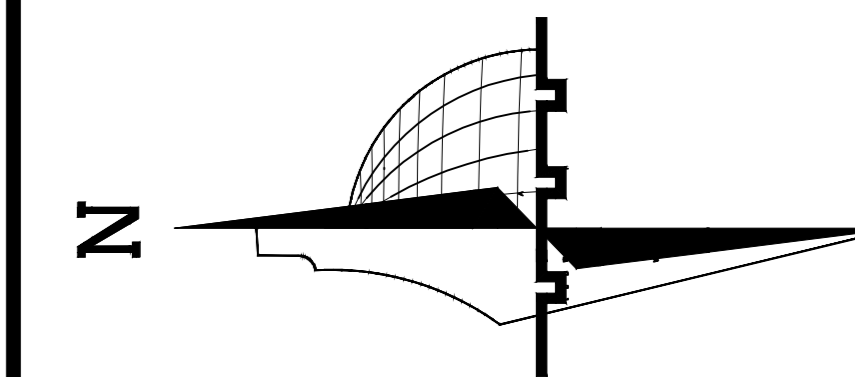
College of Engineering

Civil Engineering Department

Civil Engineering

Graduation Project

Al-Noor Hotel



**Legend :**

- Stone
- R.Concrete
- Concrete
- Hollow Block
- isolating materials
- Gravel
- Wood
- HEXAGONAL TILES
- BAKLAVA TILES
- GRASS

DRAWING TITLE :

Beams Reinforcement

Supervisor

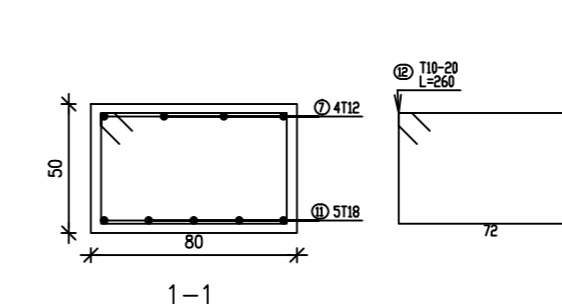
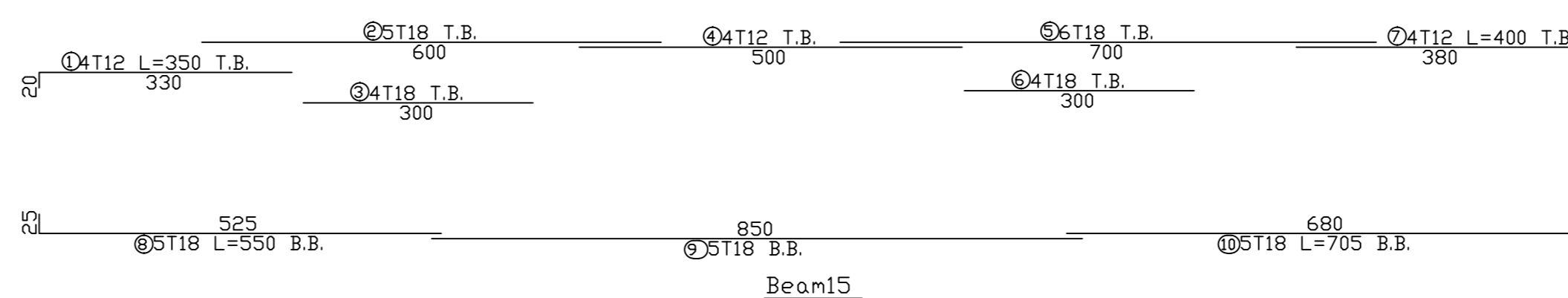
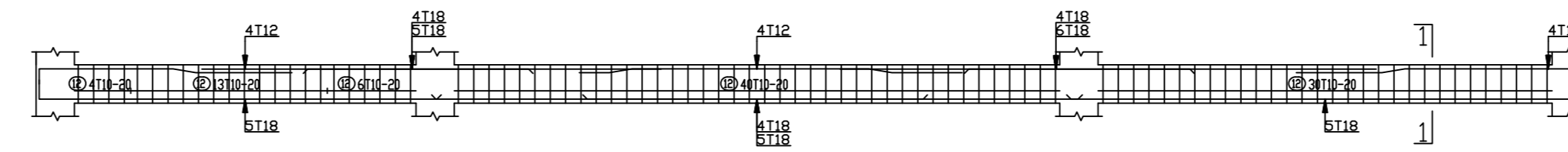
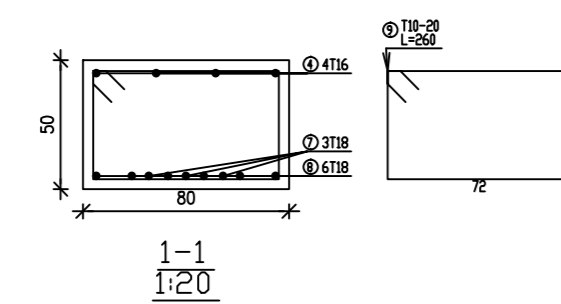
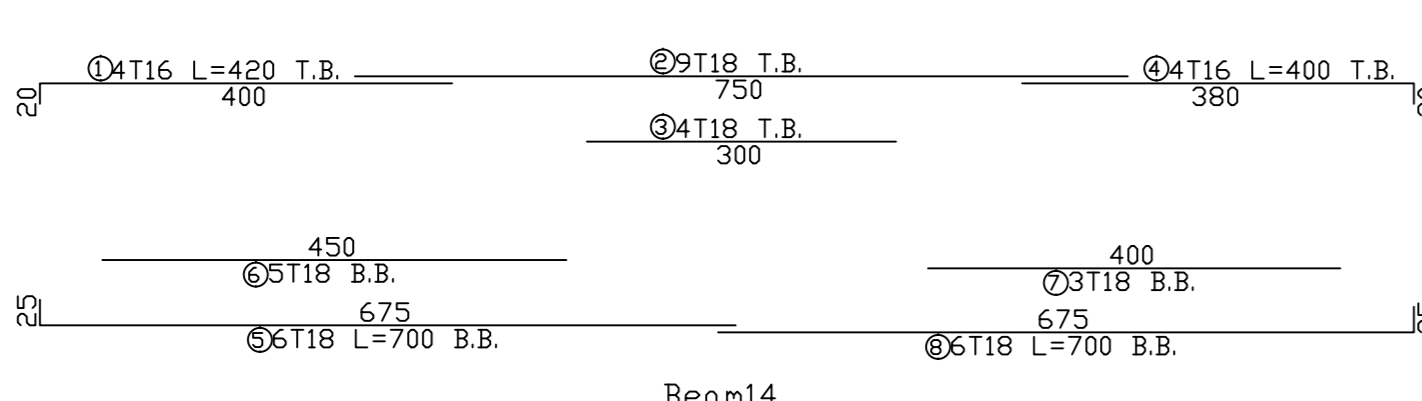
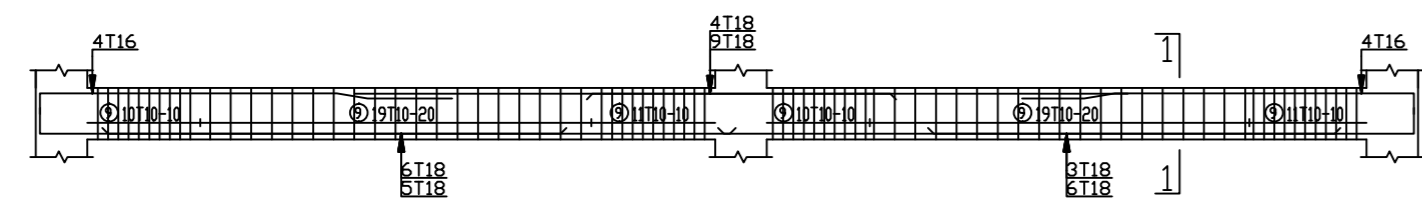
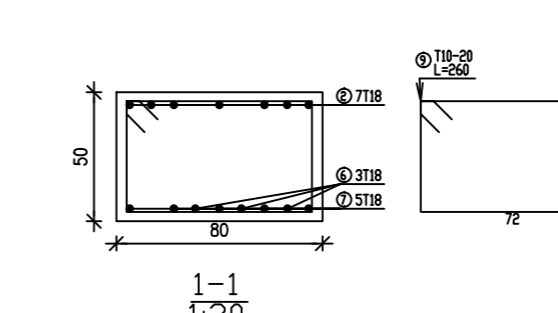
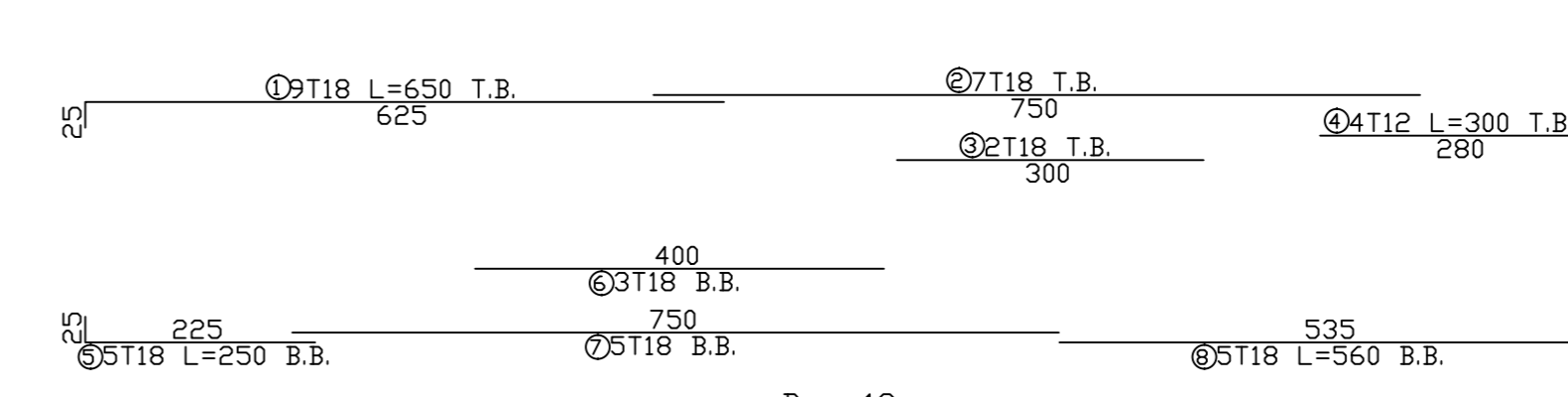
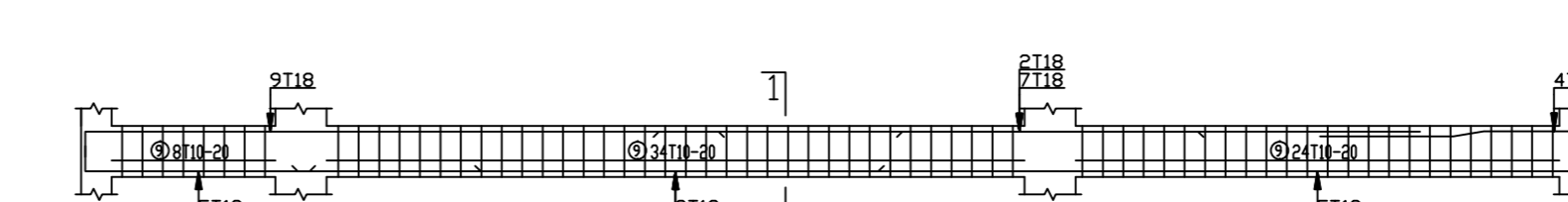
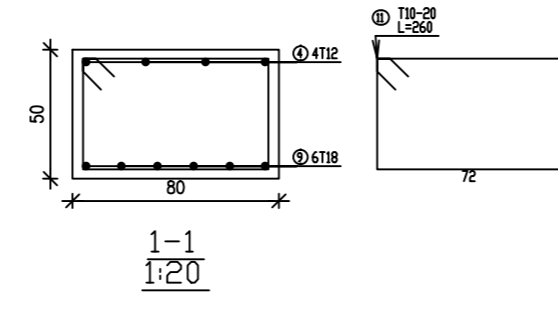
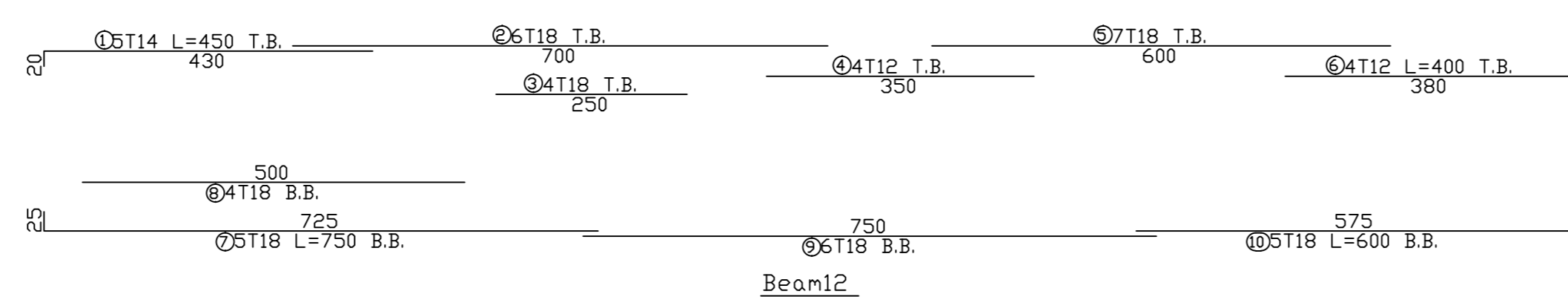
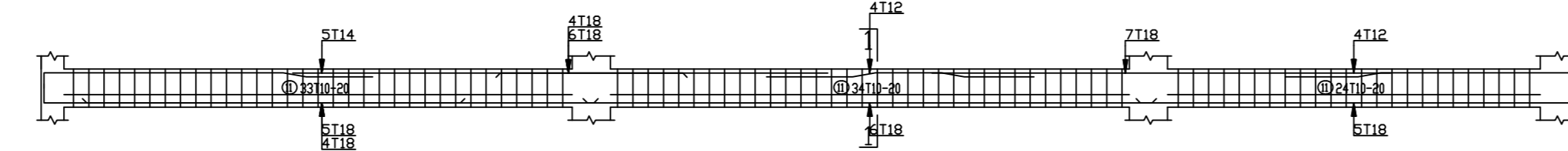
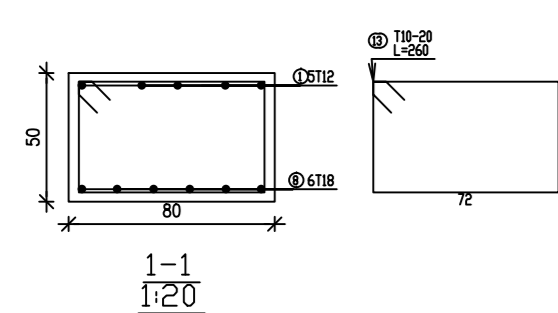
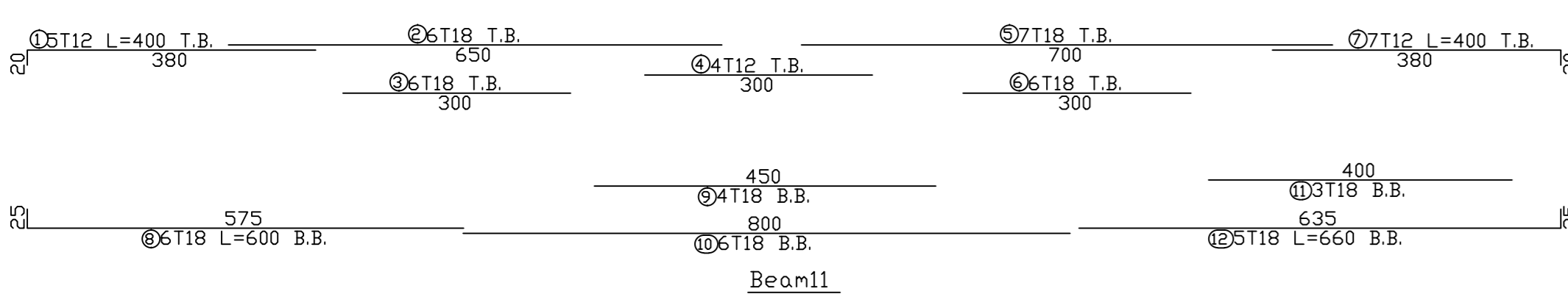
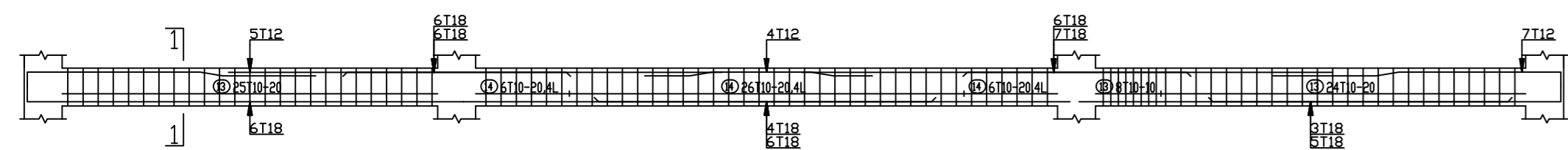
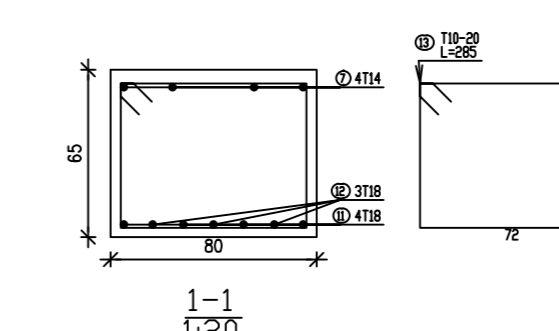
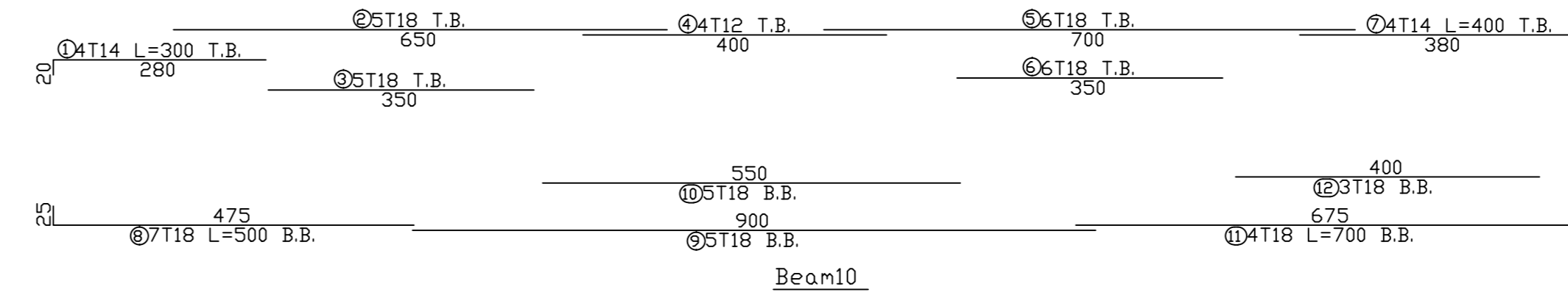
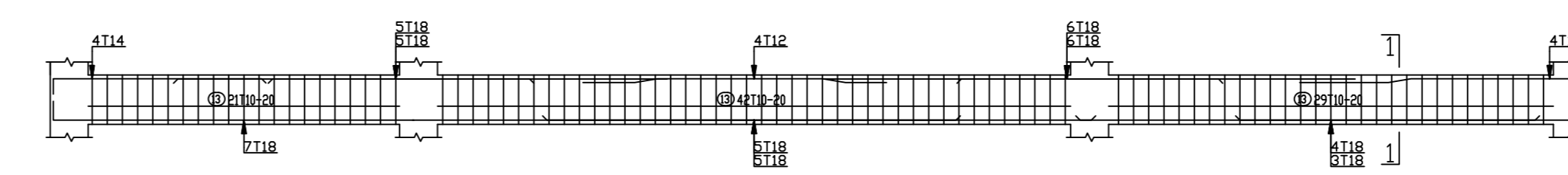
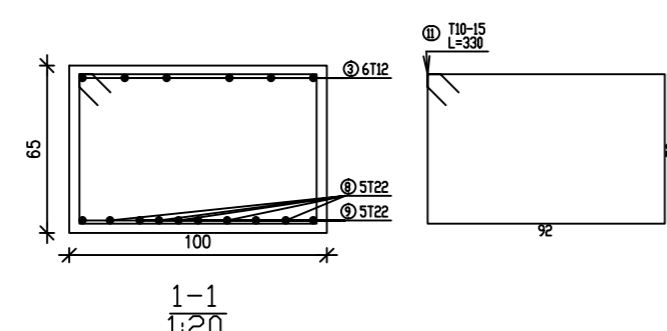
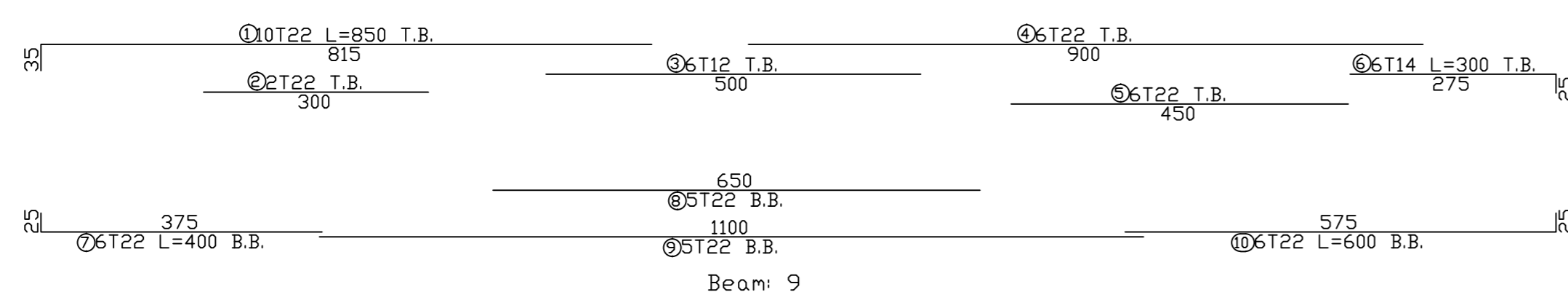
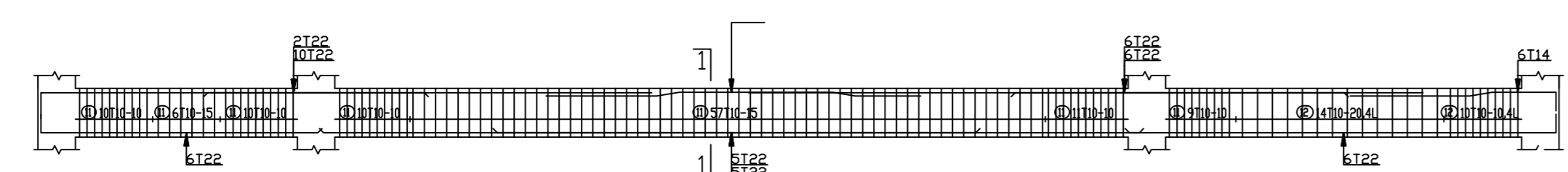
Dr. Nasr Abboushi.

Done by :

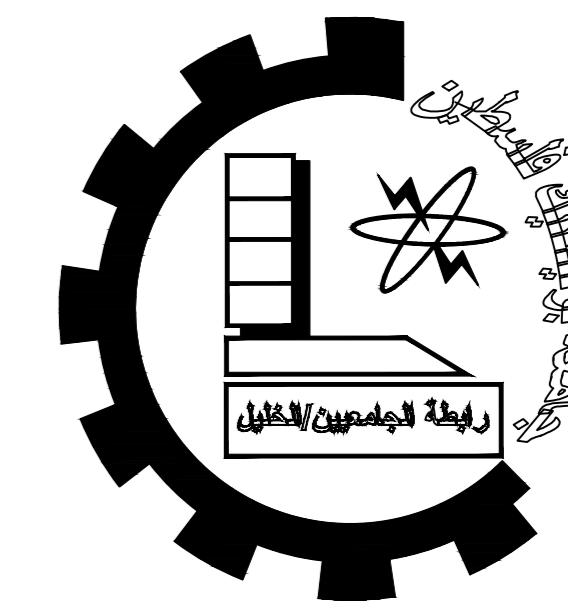
Mohammad zareer

Husam Talahmeh

SCALE	No. of DRAW	DATE
1/100	S41	21/01/2024







Palestine Polytechnic University

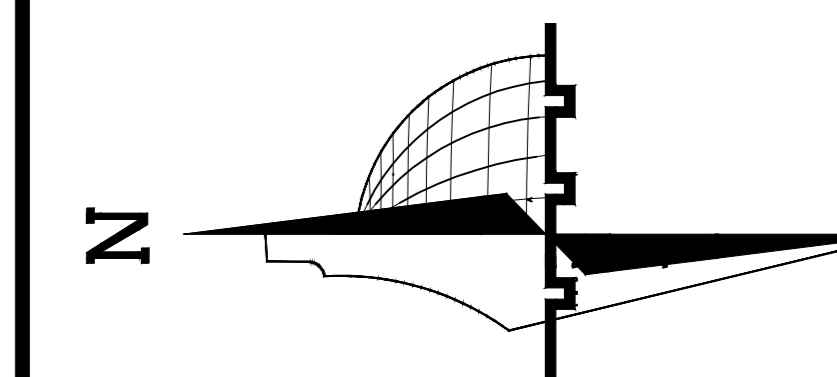
College of Engineering

Civil Engineering Department

Civil Engineering

Graduation Project

Al-Noor Hotel



**Legend :**

- Stone
- R.Concrete
- Concrete
- Hollow Block
- isolating materials
- Gravel
- Wood
- HEXAGONAL TILES
- BAKLAVA TILES
- GRASS

DRAWING TITLE :

Beams Reinforcement

Supervisor

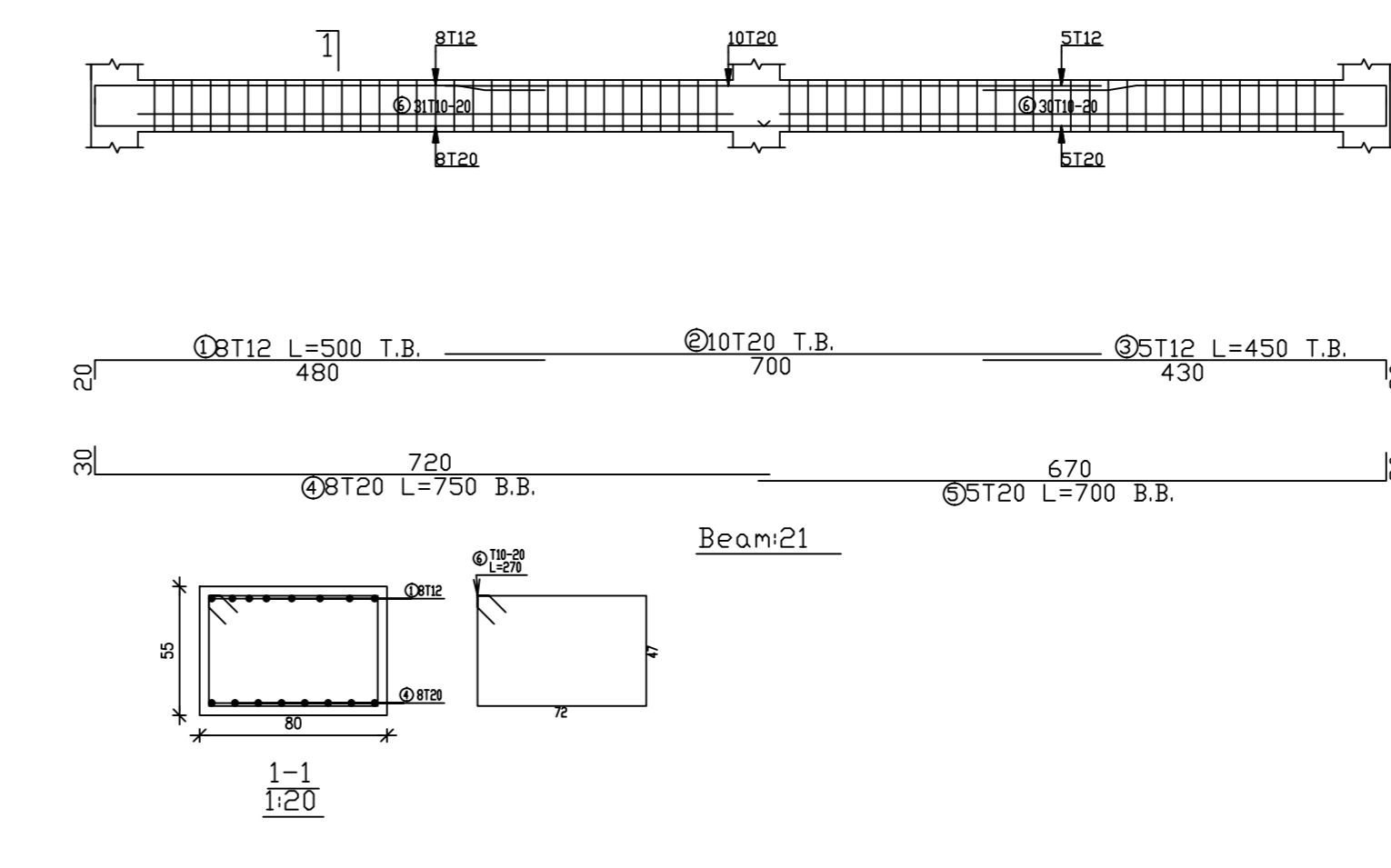
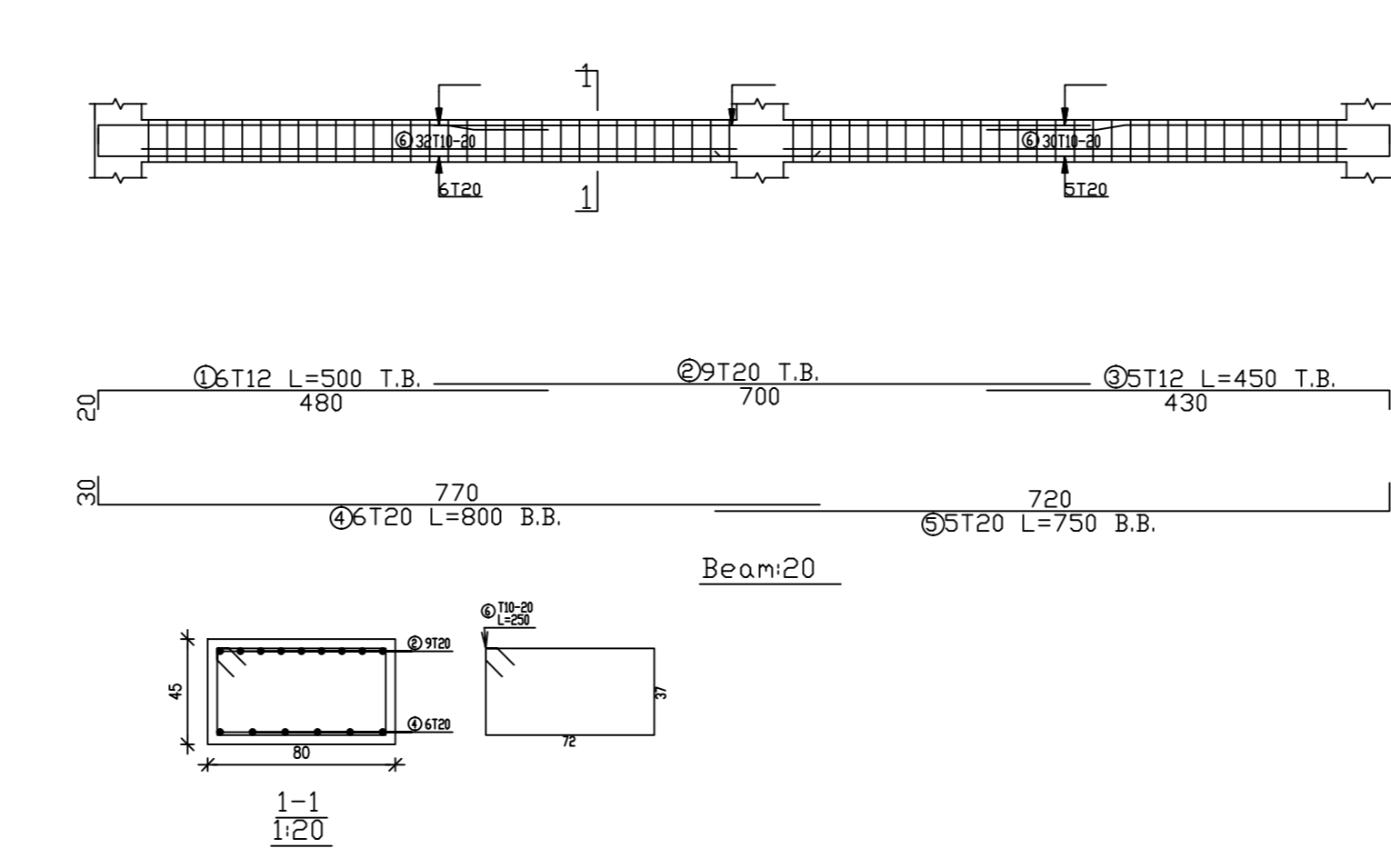
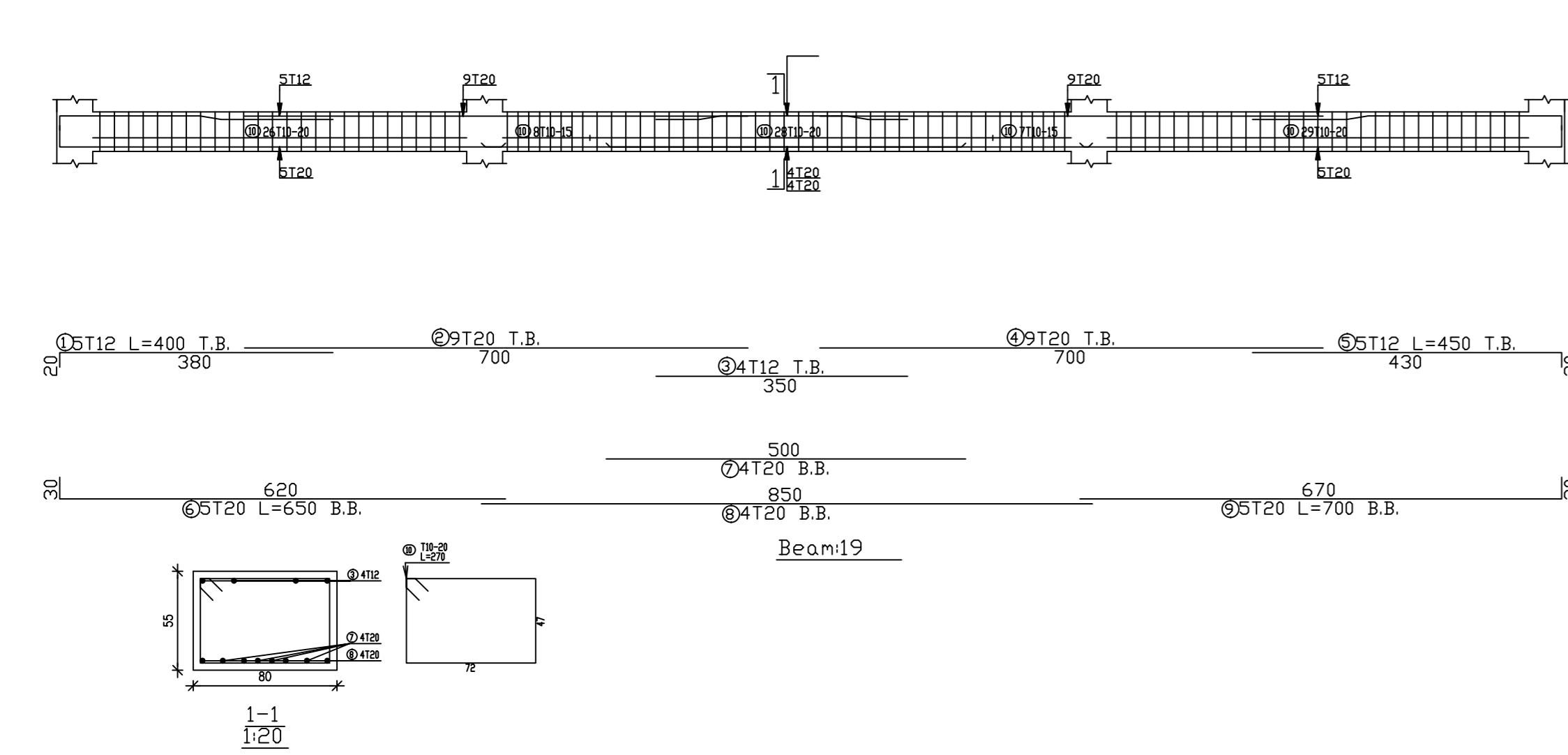
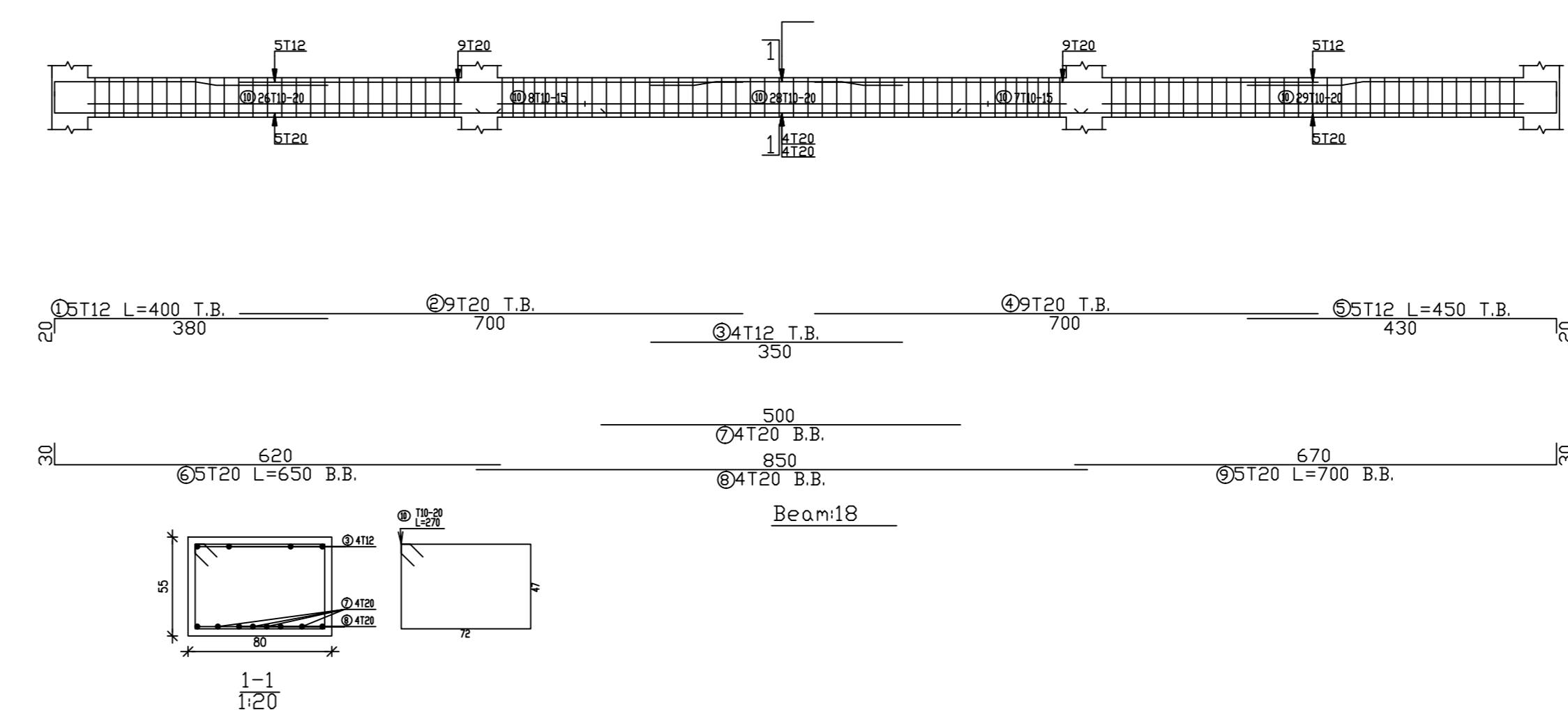
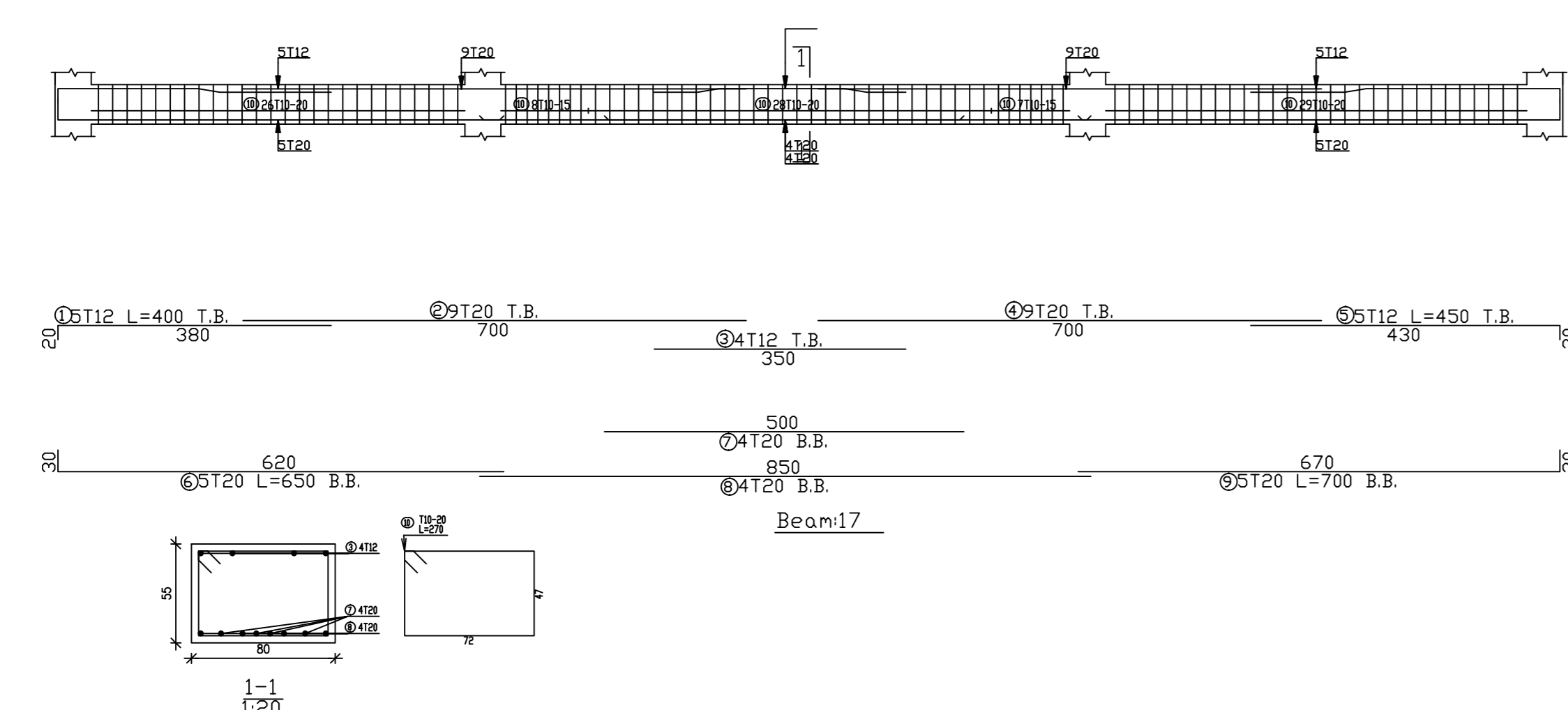
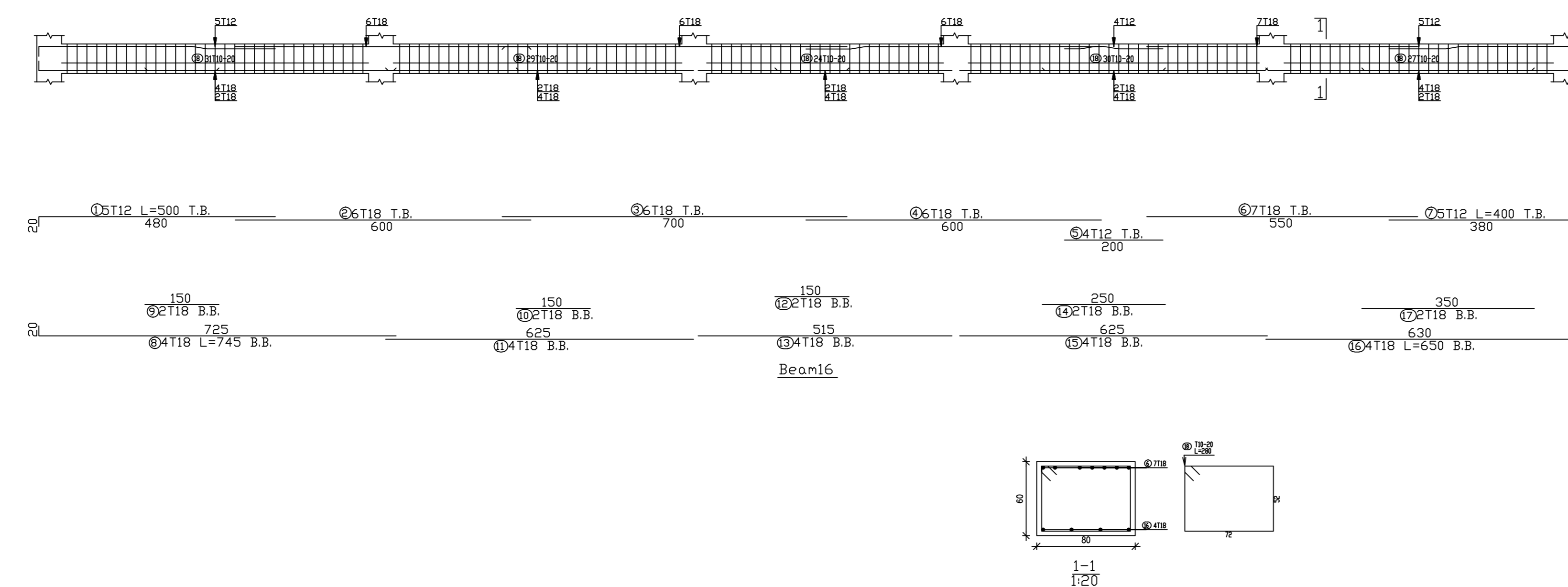
Dr. Nasr Abboushi.

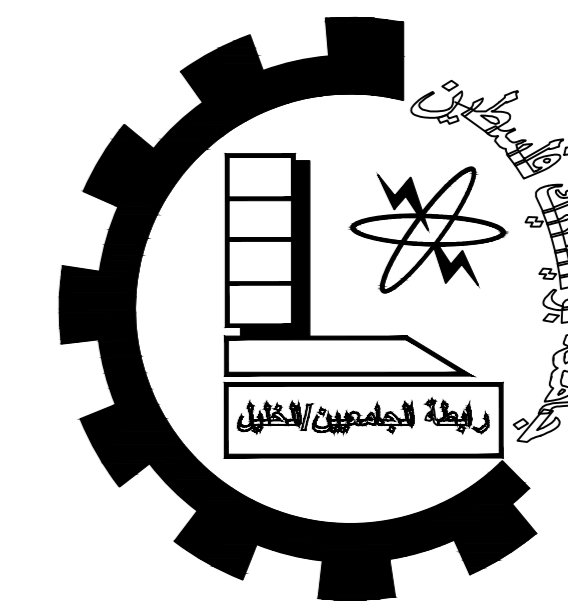
Done by :

Mohammad zareer

Husam Talahmeh

SCALE	No. of DRAW	DATE
1/100	S42	21/01/2024





Palestine Polytechnic University

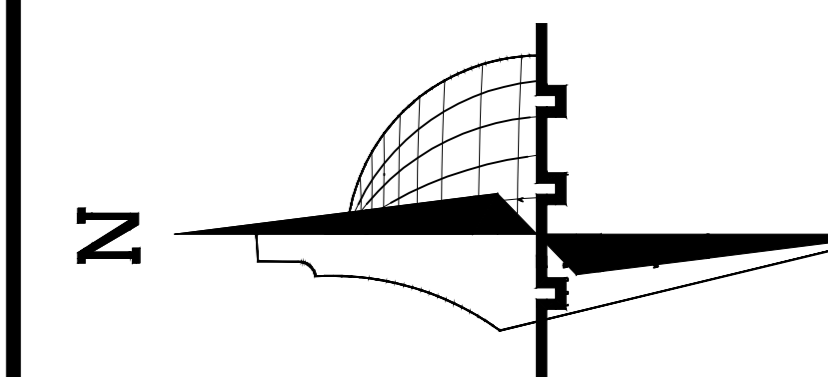
College of Engineering

Civil Engineering Department

Civil Engineering

Graduation Project

Al-Noor Hotel



**Legend :**

- Stone
- R.Concrete
- Concrete
- Hollow Block
- isolating materials
- Gravel
- Wood
- HEXAGONAL TILES
- BAKLAVA TILES
- GRASS

DRAWING TITLE :

Beams Reinforcement

Supervisor

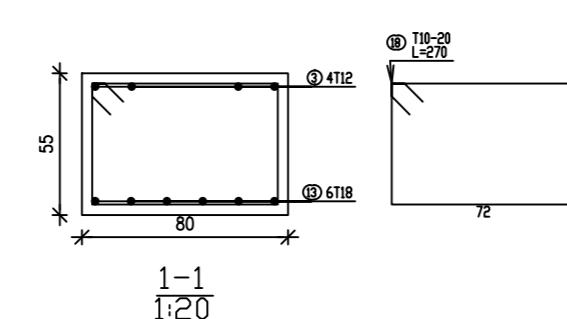
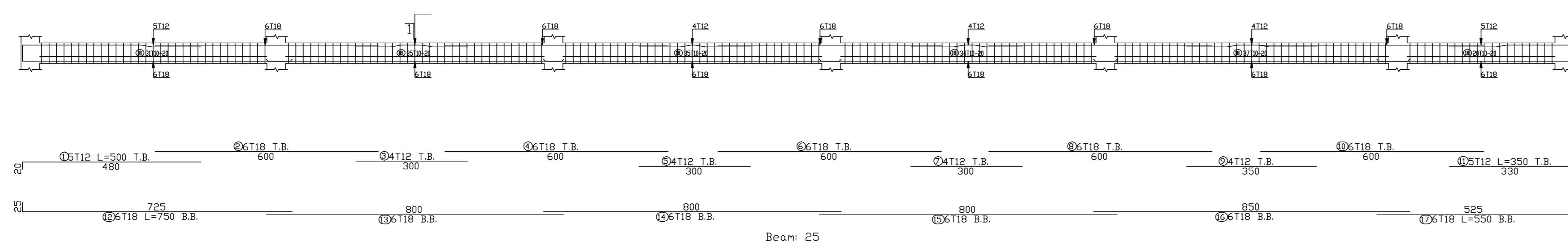
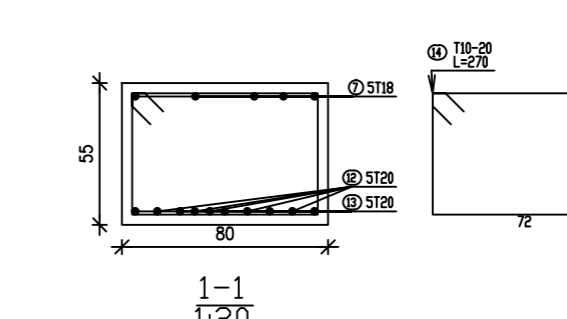
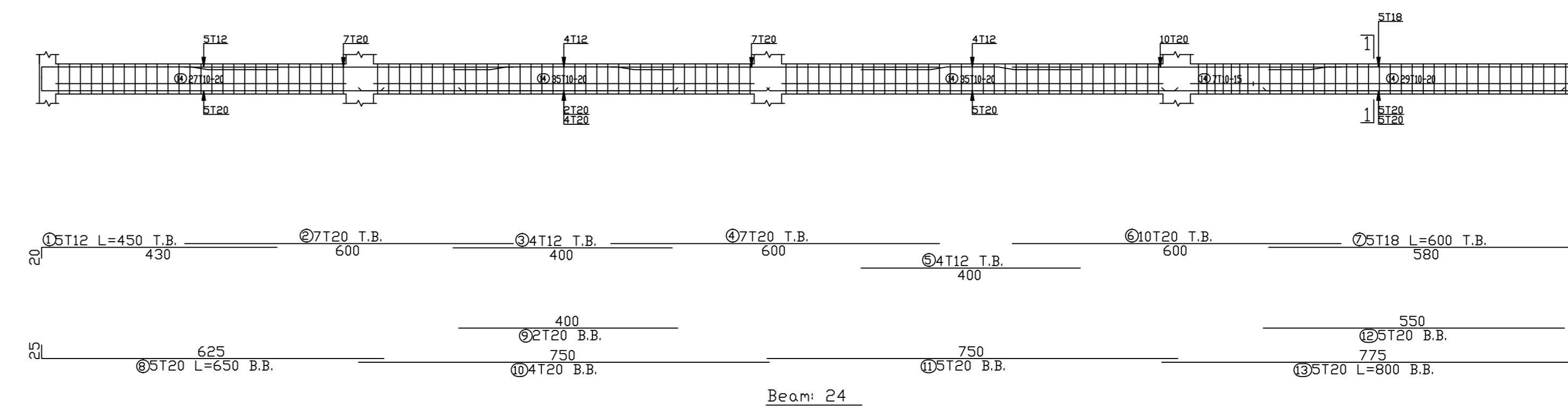
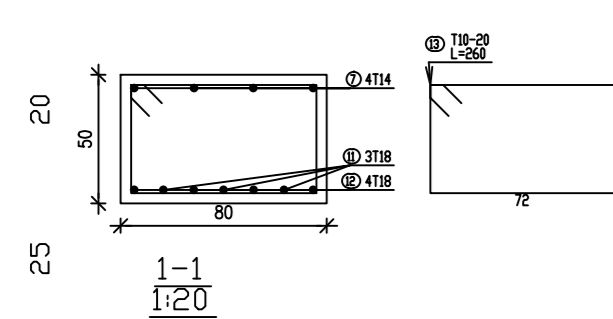
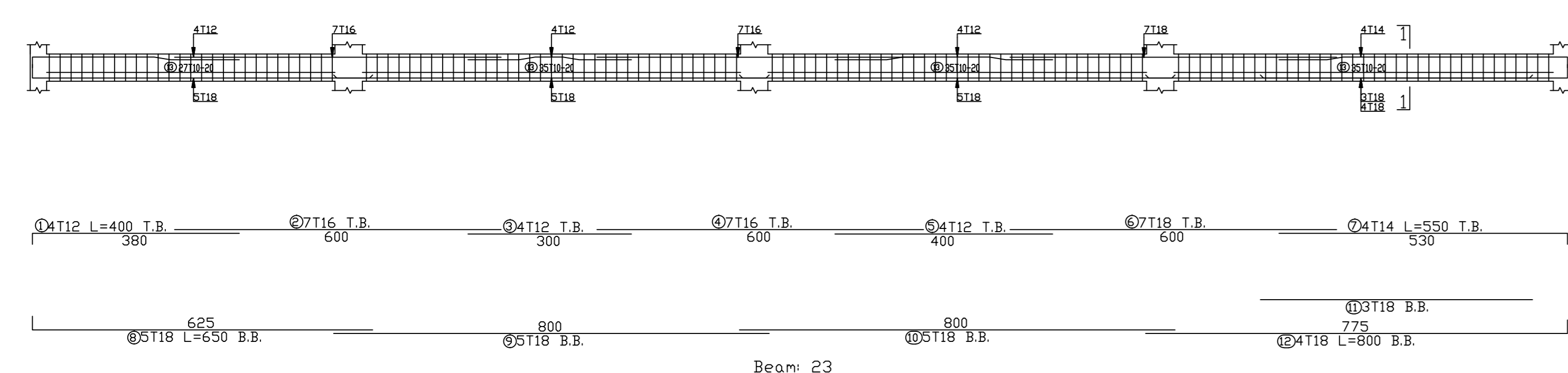
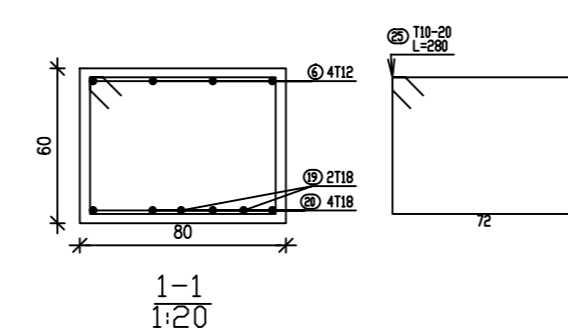
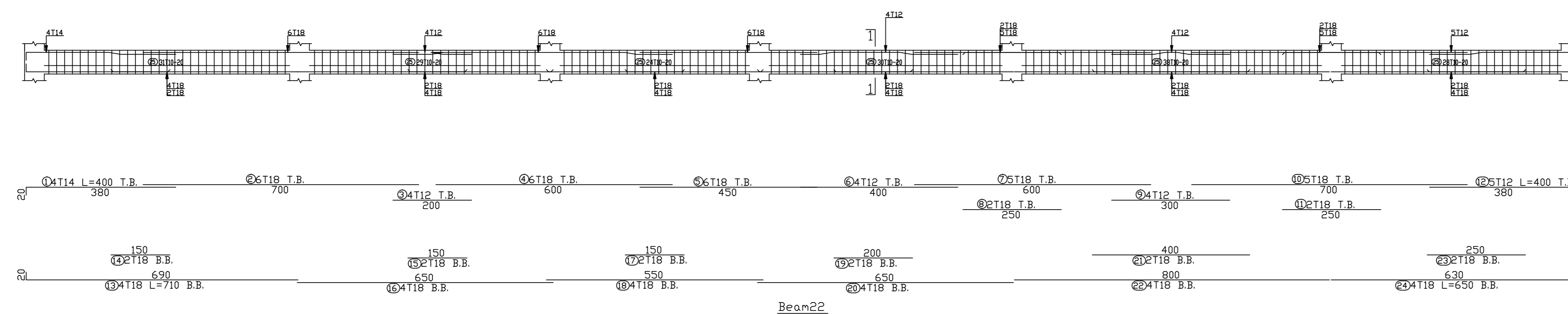
Dr. Nasr Abboushi.

Done by :

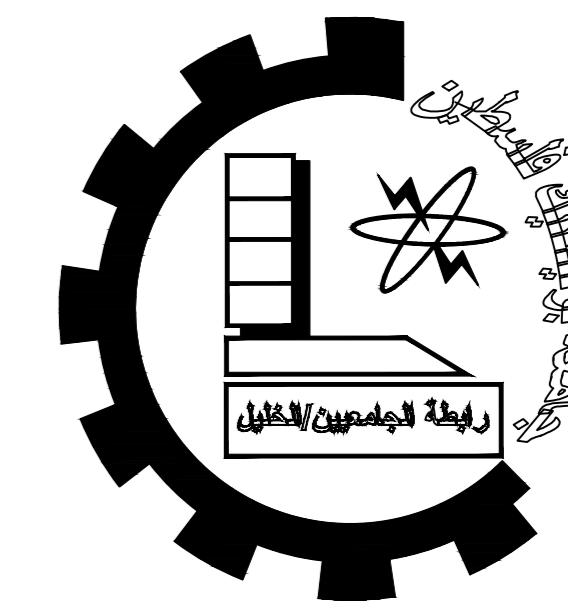
Mohammad zareer

Husam Talahmeh

SCALE	No. of DRAW	DATE
1/100	S43	21/01/2024







Palestine Polytechnic University

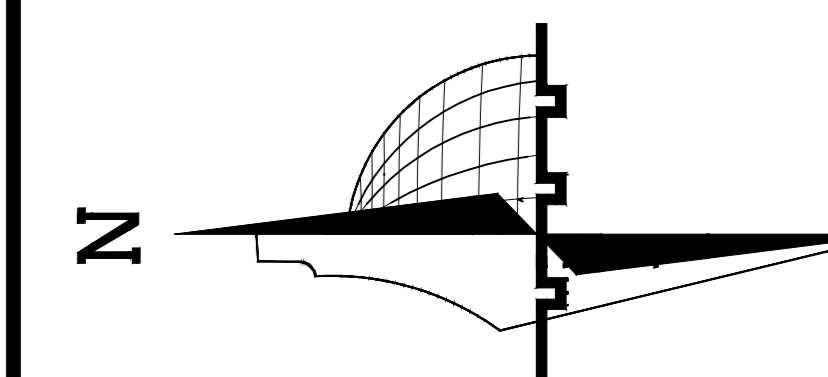
College of Engineering

Civil Engineering Department

Civil Engineering

Graduation Project

Al-Noor Hotel



**Legend :**

- Stone
- R.Concrete
- Concrete
- Hollow Block
- isolating materials
- Gravel
- Wood
- HEXAGONAL TILES
- BAKLAVA TILES
- GRASS

DRAWING TITLE :

First Floor Slab  
Distribution of Ribs

Supervisor

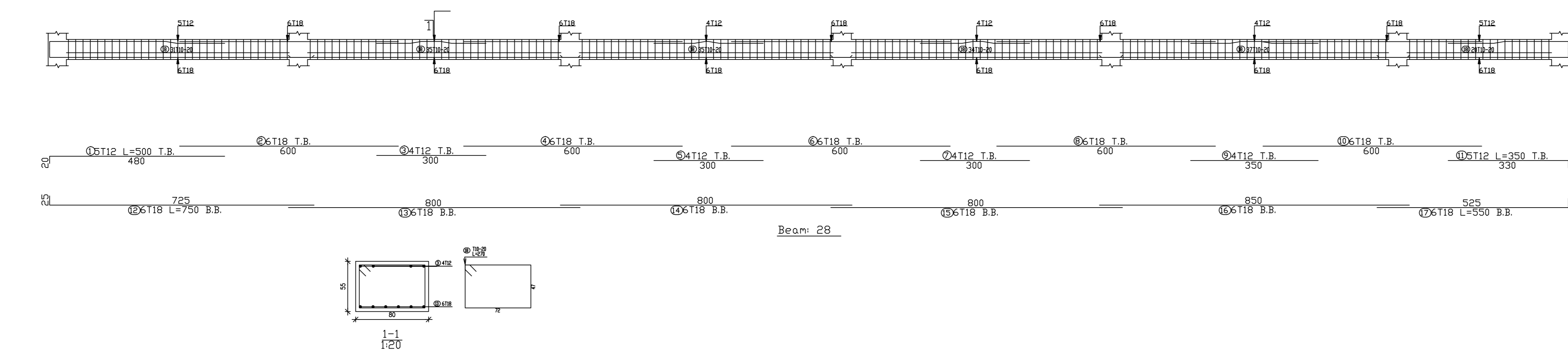
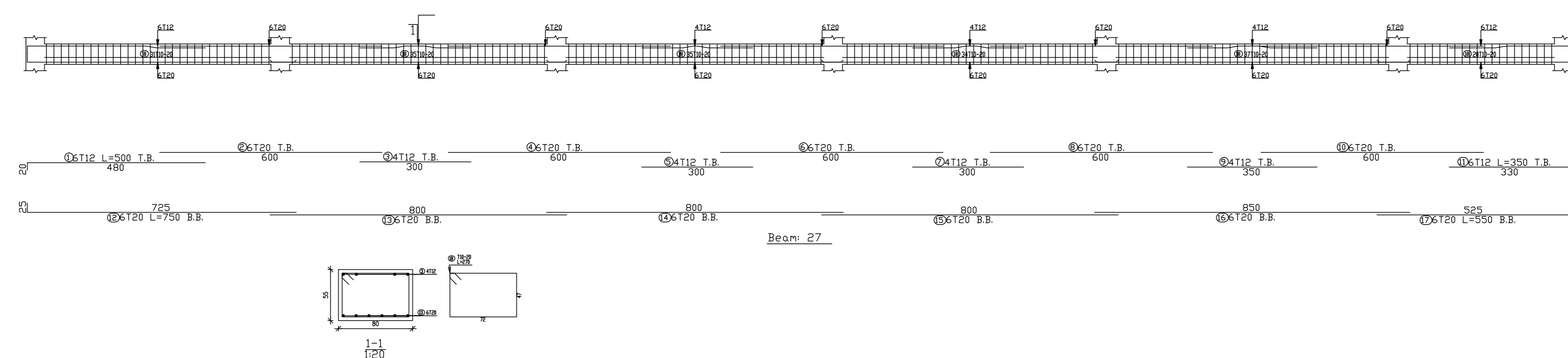
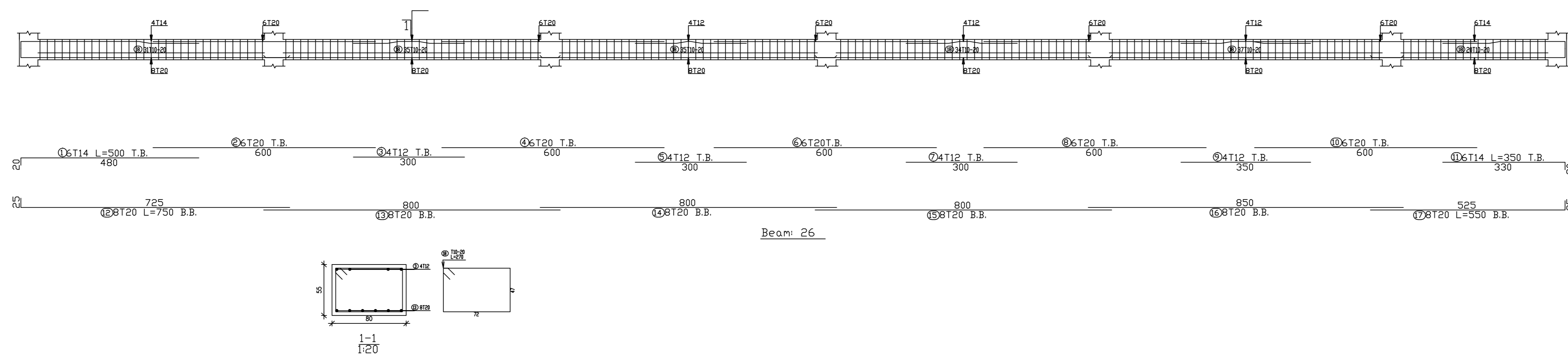
Dr. Nasr Abboushi.

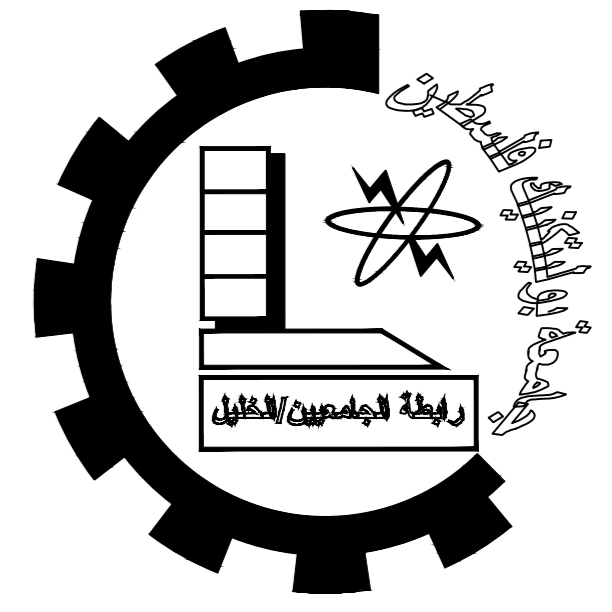
Done by :

Mohammad zareer

Husam Talahmeh

SCALE	No. of DRAW	DATE
1/100	S44	21/01/2024





Palestine Polytechnic University

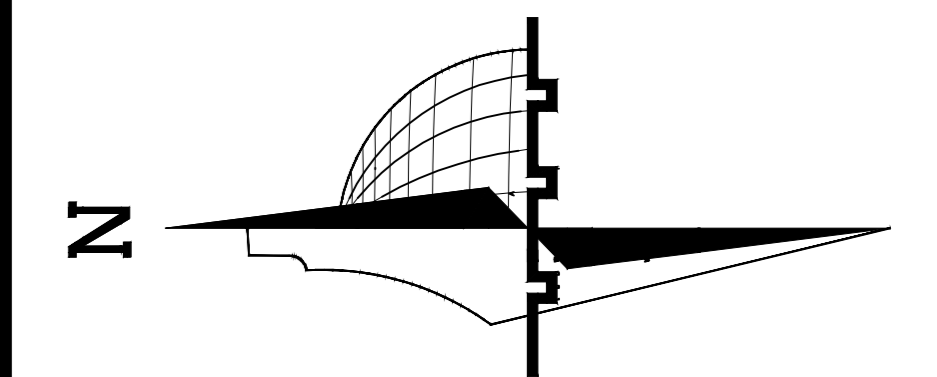
College of Engineering

Civil Engineering Department

Civil Engineering

Graduation Project

Al-Noor Hotel



**Legend :**

- Stone
- R.Concrete
- Concrete
- Hollow Block
- Isolating materials
- Gravel
- Wood
- HEXAGONAL TILES
- BAKLAVA TILES
- GRASS

DRAWING TITLE :

First Floor Slab  
Distribution of Ribs

Supervisor

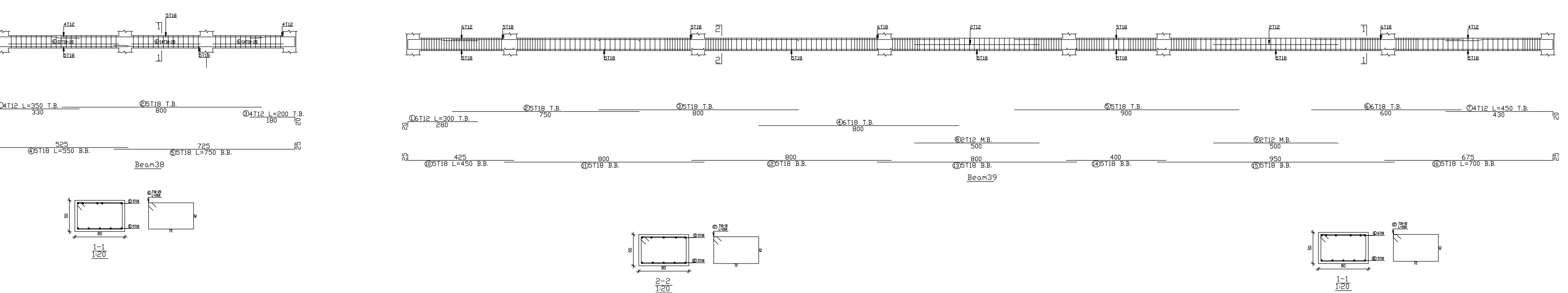
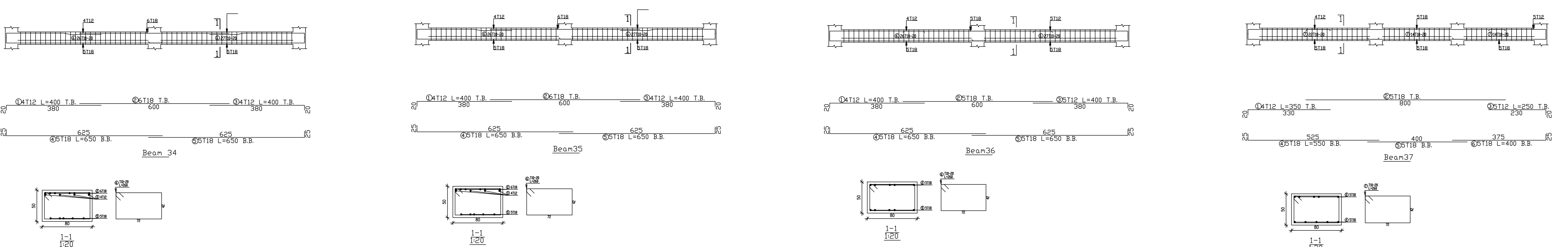
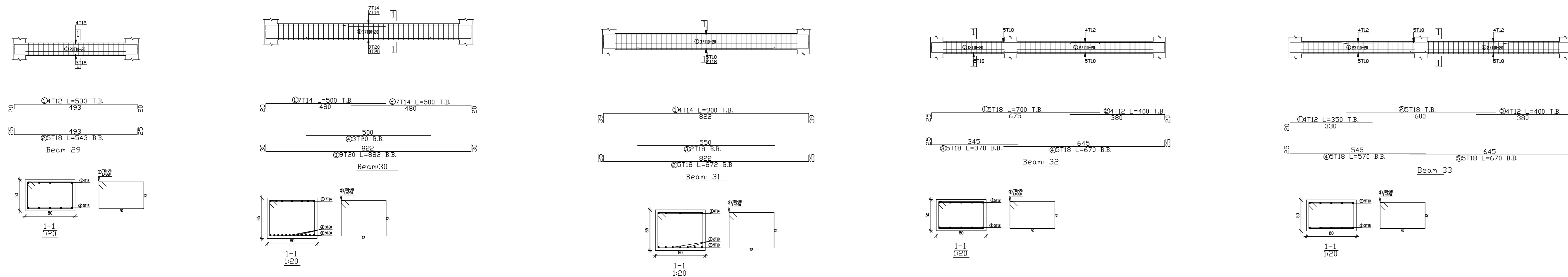
Dr. Nasr Abboushi.

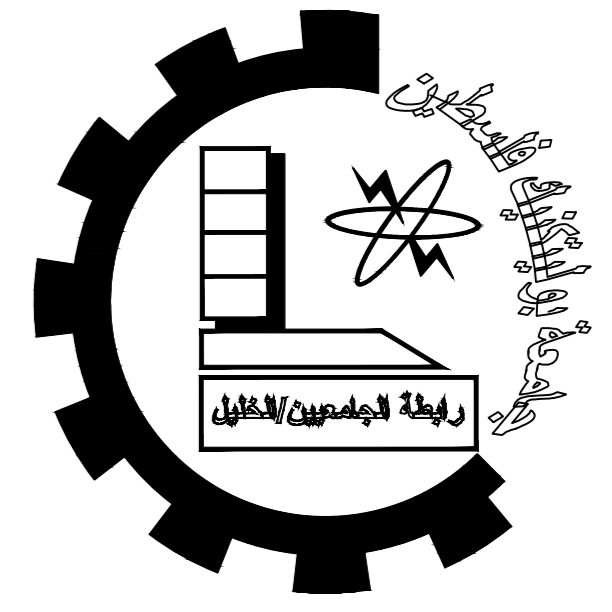
Done by :

Mohammad zareer

Husam Talahmeh

SCALE	No. of DRAW	DATE
1/100	S45	21/01/2024





Palestine Polytechnic University

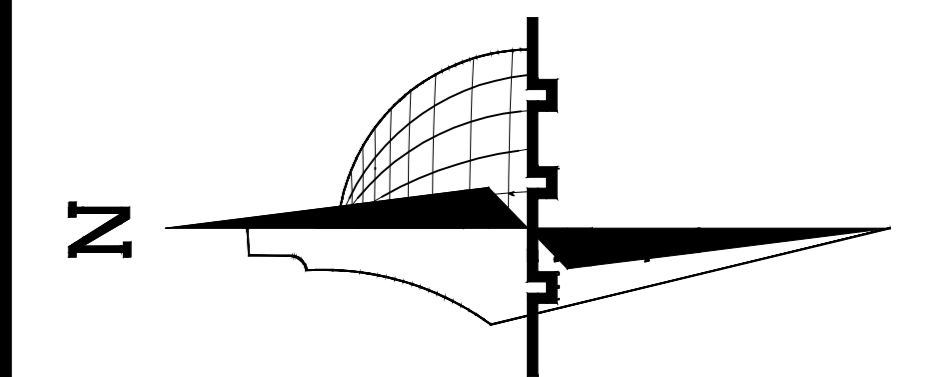
College of Engineering

Civil Engineering Department

Civil Engineering

Graduation Project

Al-Noor Hotel



**Legend :**

- Stone
- R.Concrete
- Concrete
- Hollow Block
- isolating materials
- Gravel
- Wood
- HEXAGONAL TILES
- BAKLAVA TILES
- GRASS

DRAWING TITLE :

First Floor Slab  
Distribution of Ribs

Supervisor

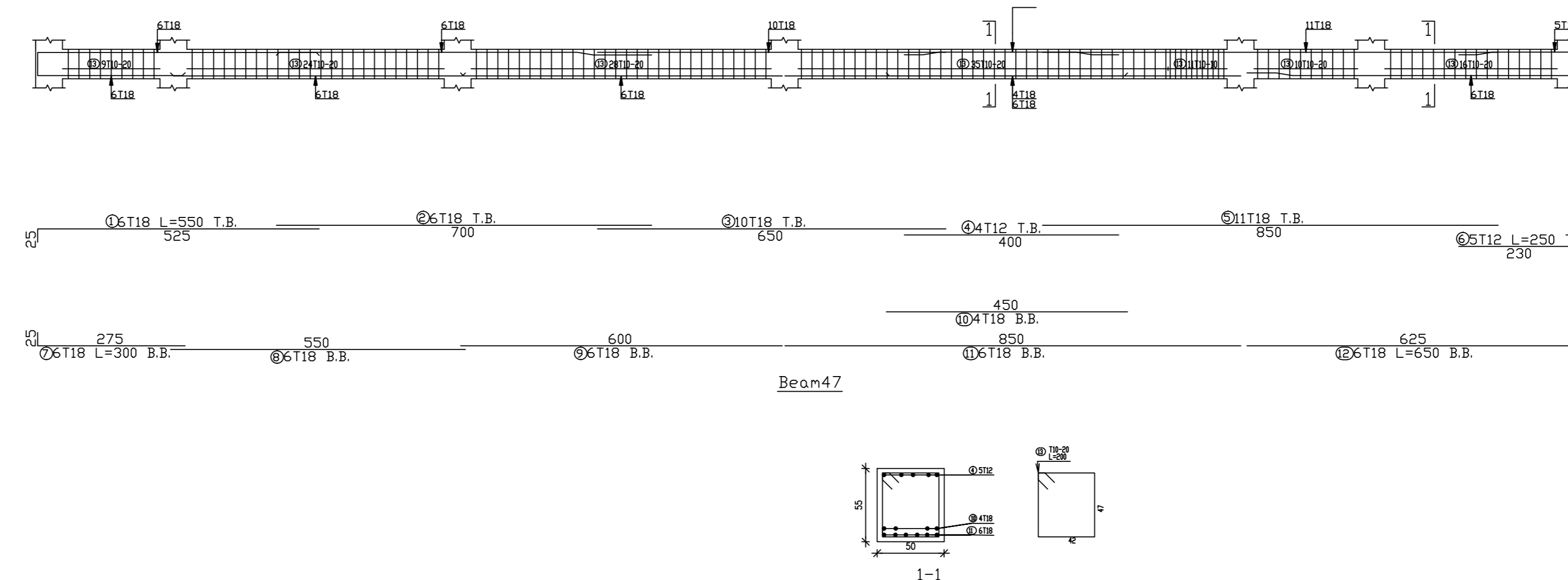
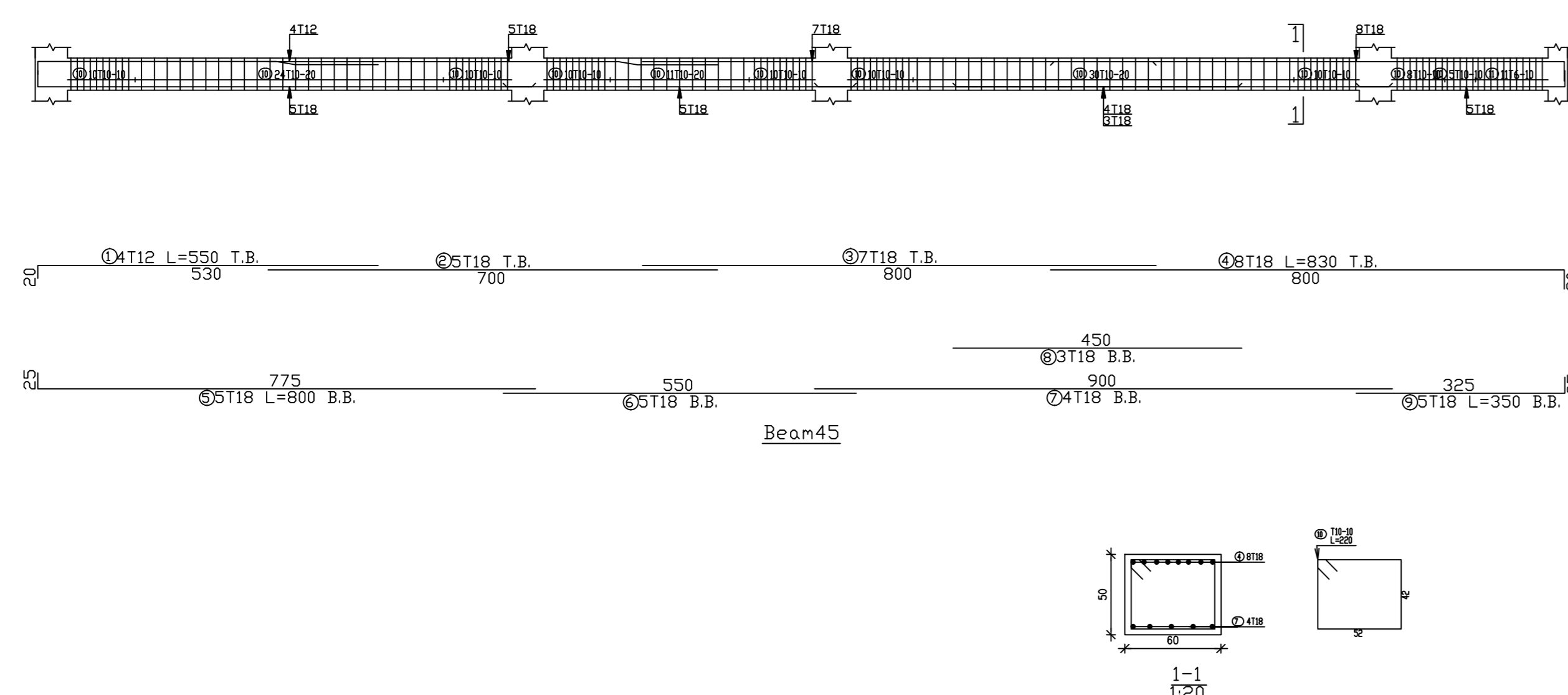
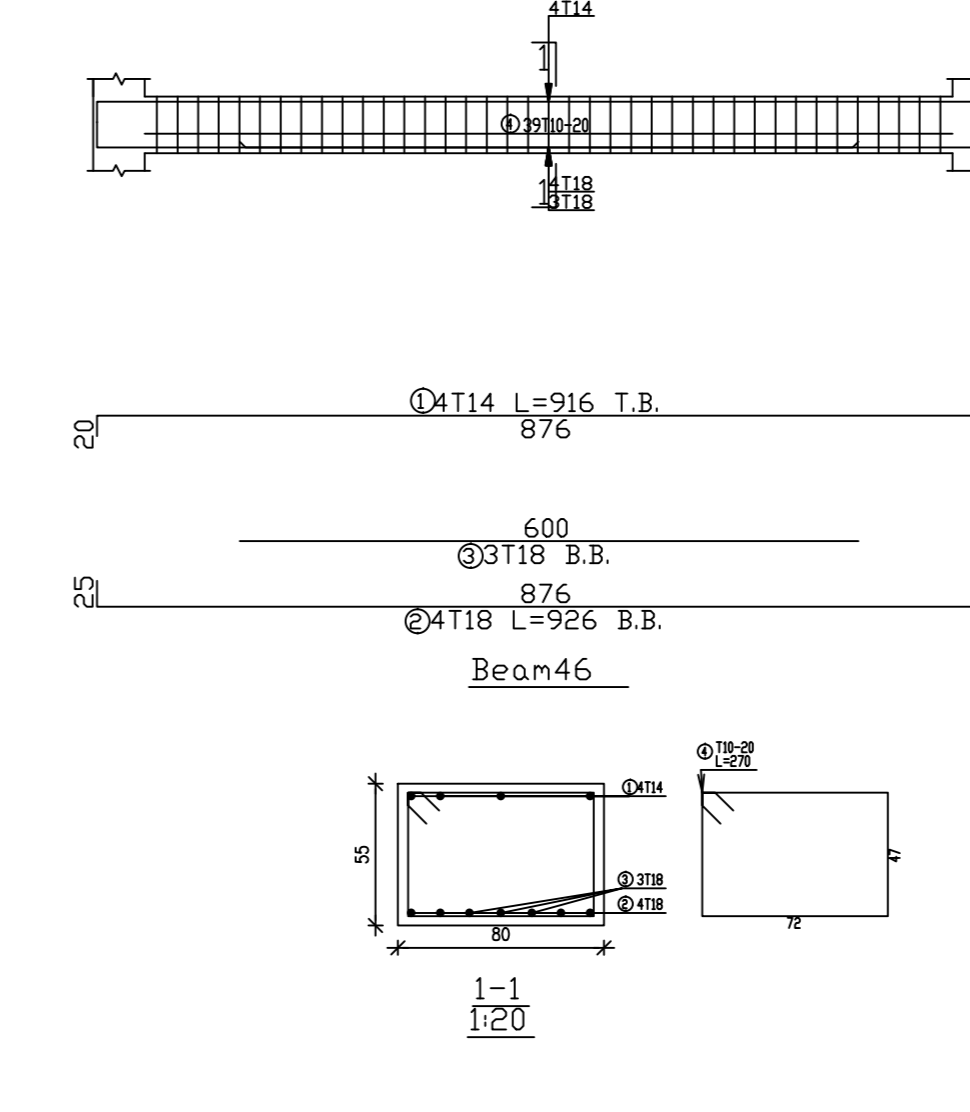
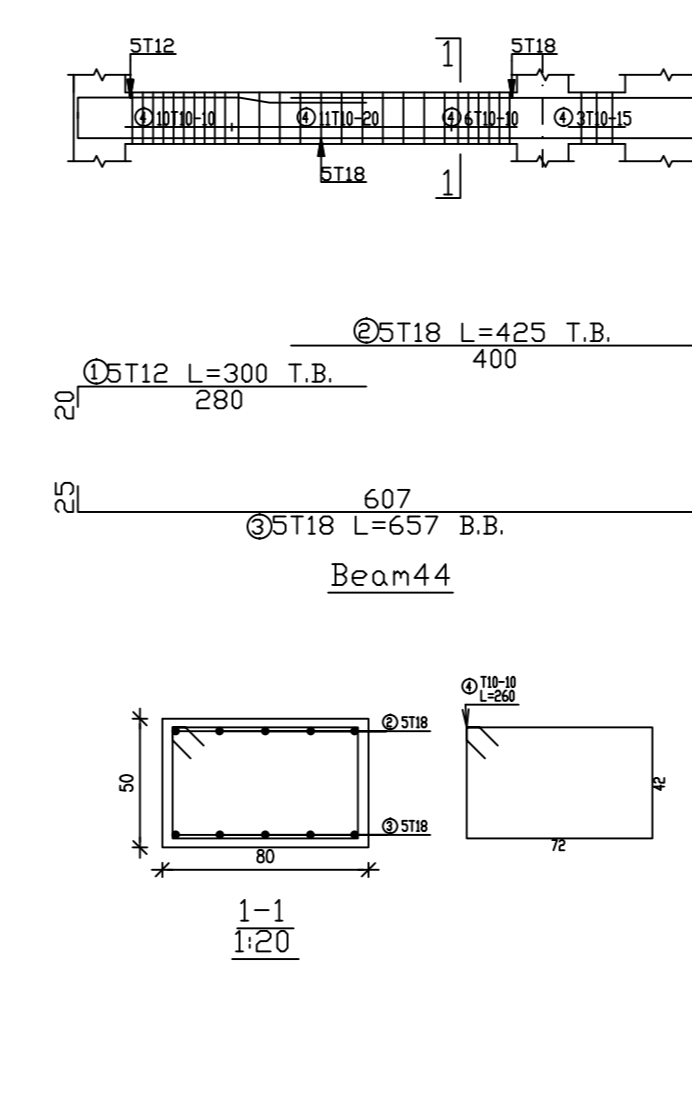
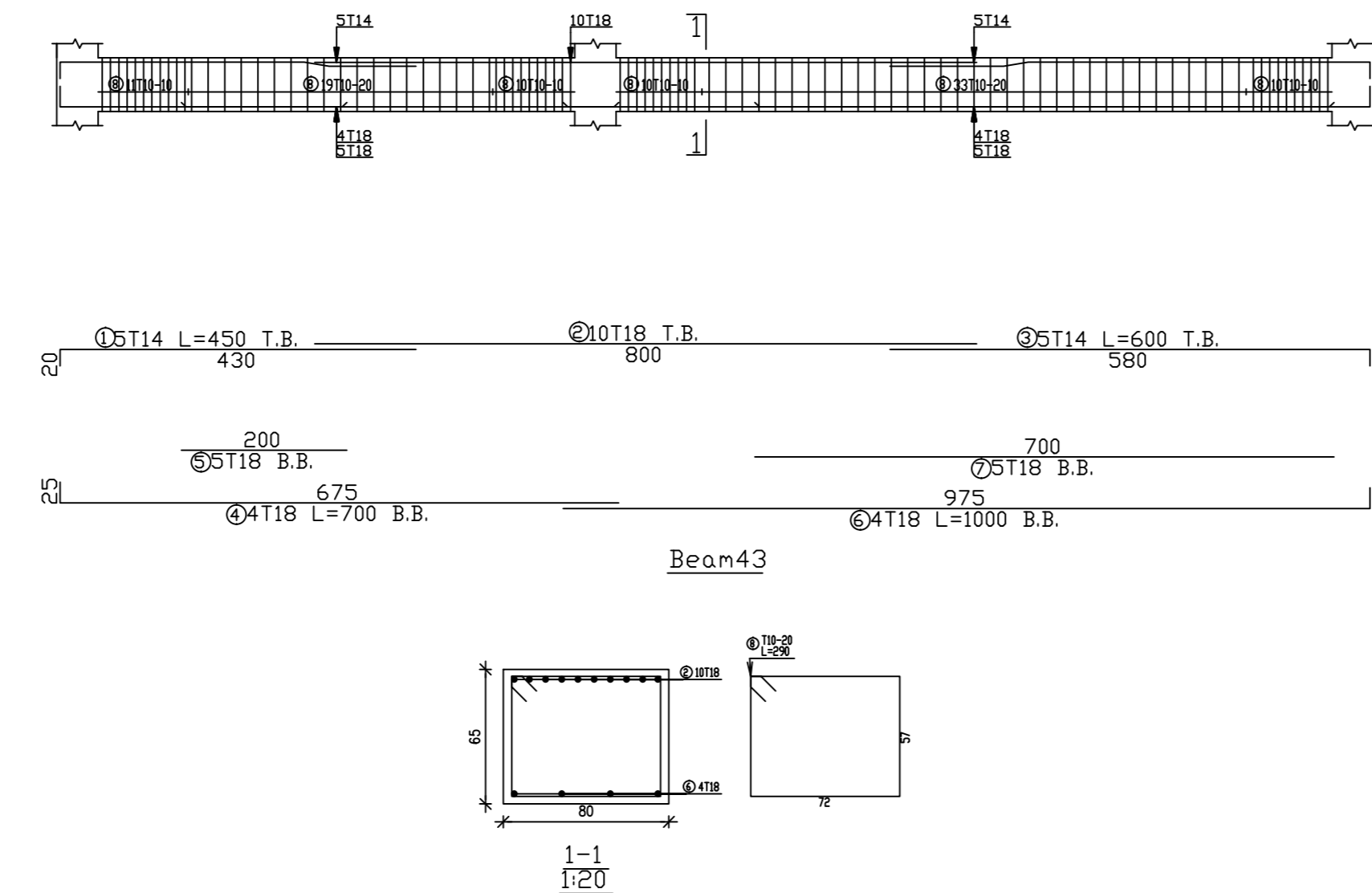
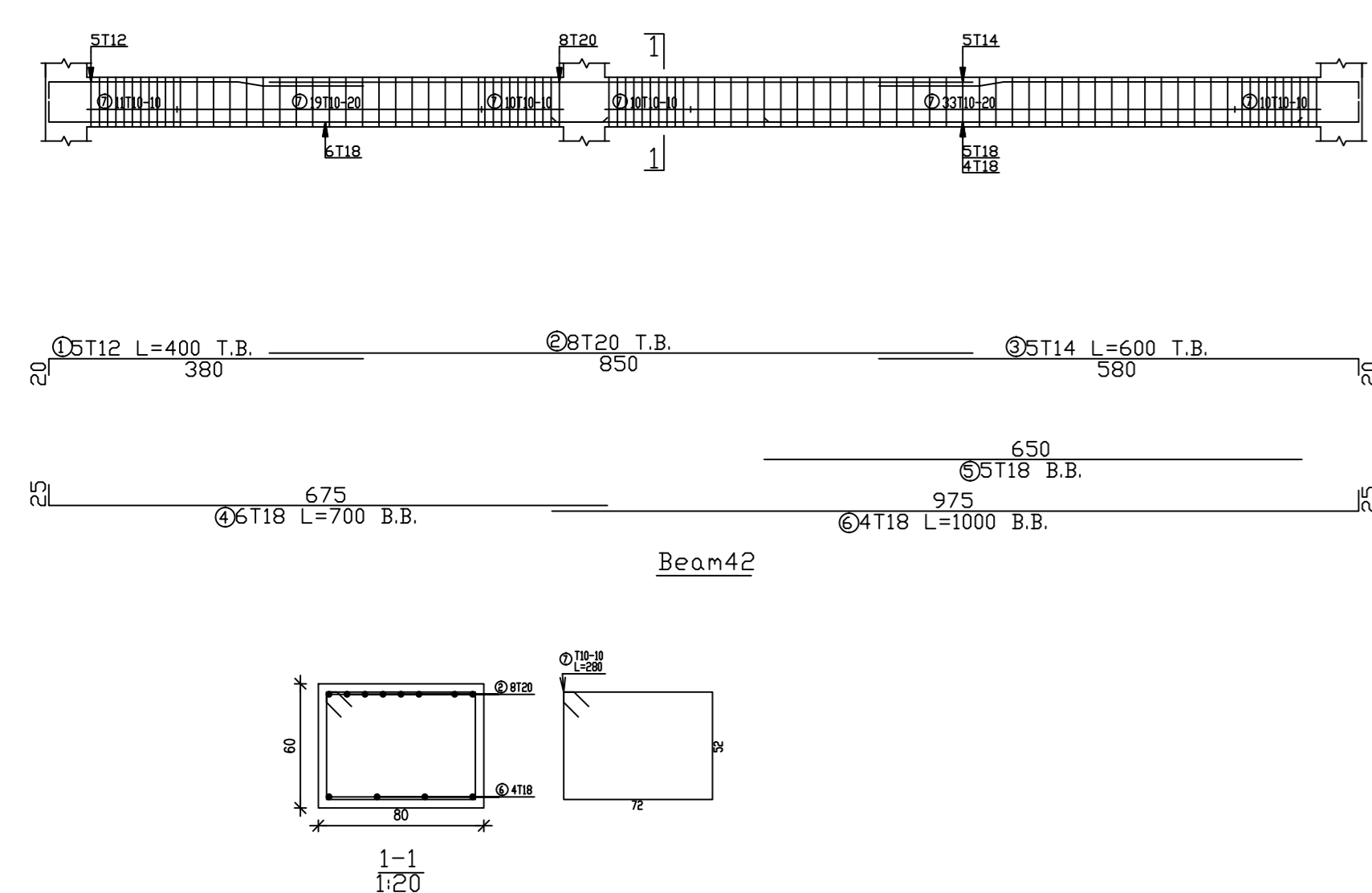
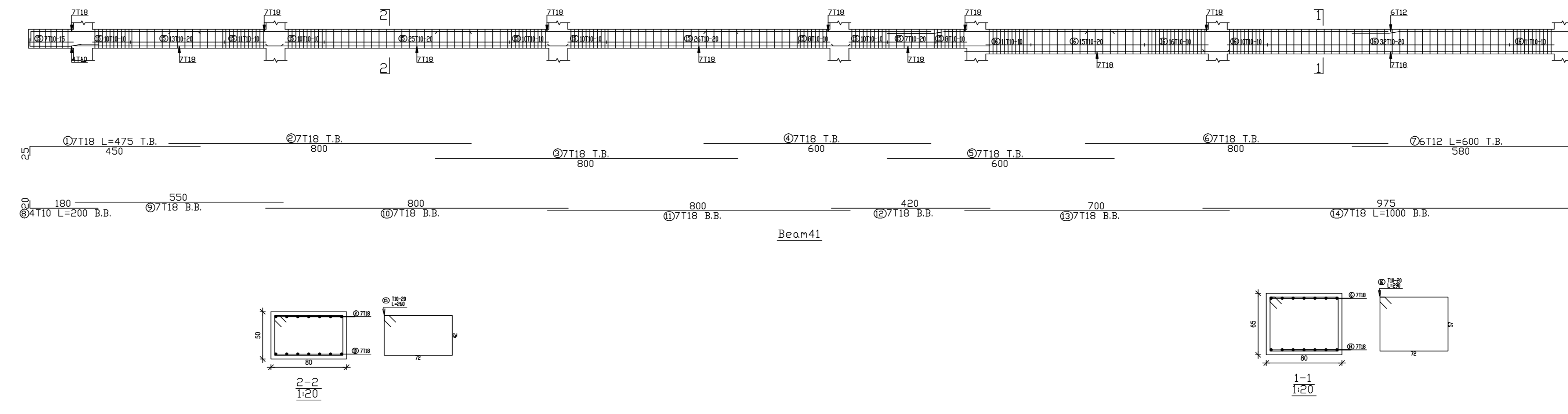
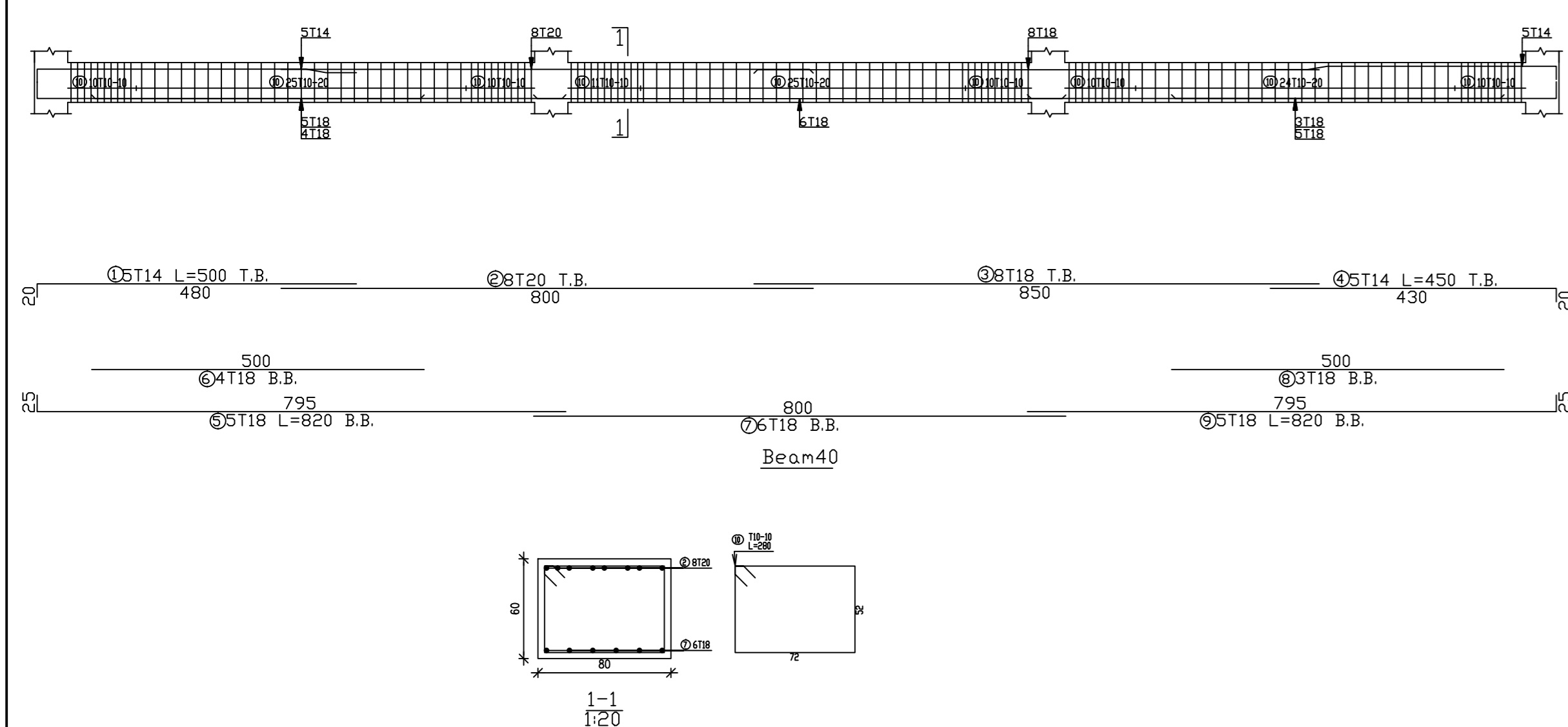
Dr. Nasr Abboushi.

Done by :

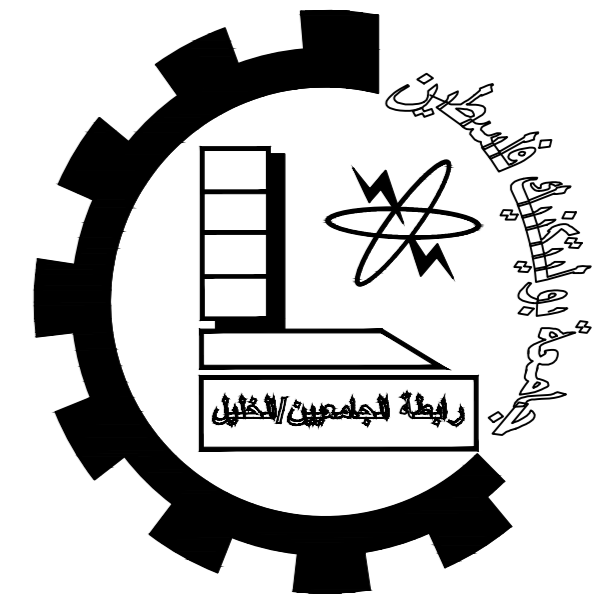
Mohammad zareer

Husam Talahmeh

SCALE	No. of DRAW	DATE
1/100	S46	21/01/2024







Palestine Polytechnic University

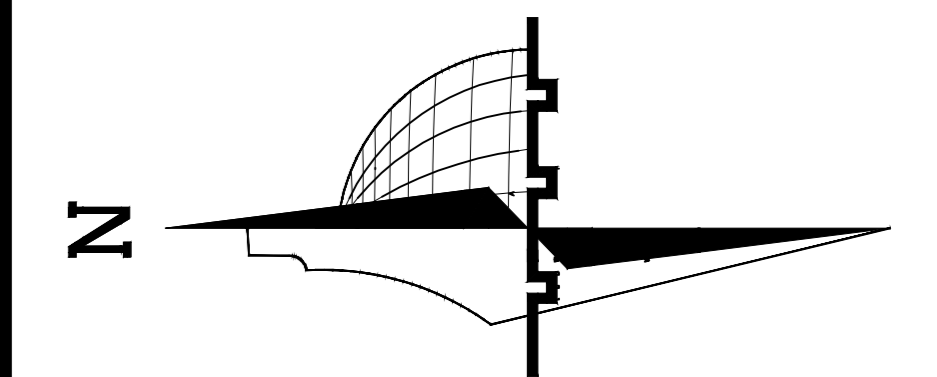
College of Engineering

Civil Engineering Department

Civil Engineering

Graduation Project

Al-Noor Hotel



**Legend :**

- Stone
- R.Concrete
- Concrete
- Hollow Block
- isolating materials
- Gravel
- Wood
- HEXAGONAL TILES
- BAKLAVA TILES
- GRASS

DRAWING TITLE :

First Floor Slab  
Distribution of Ribs

Supervisor

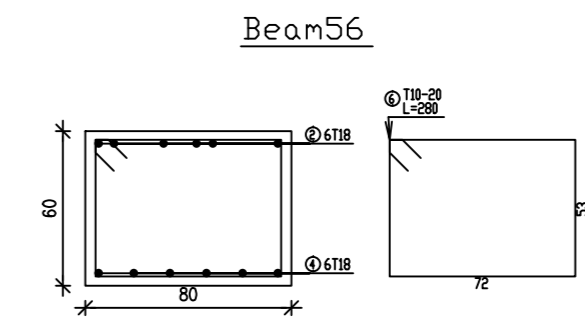
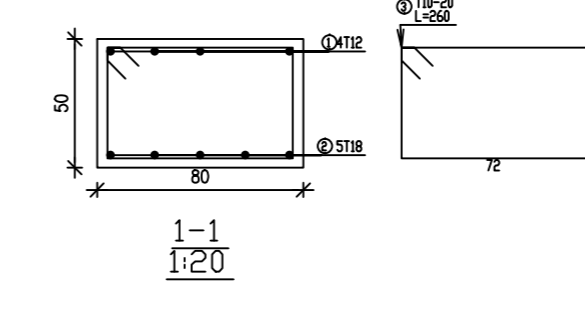
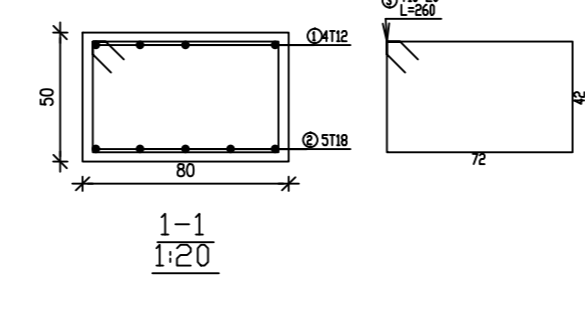
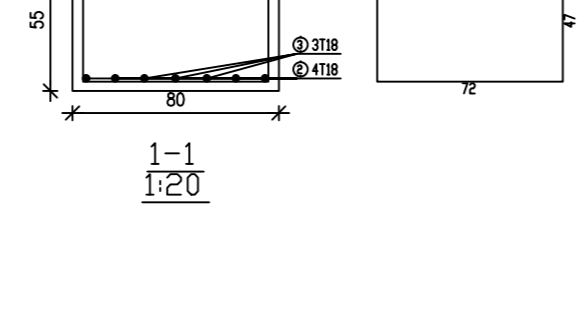
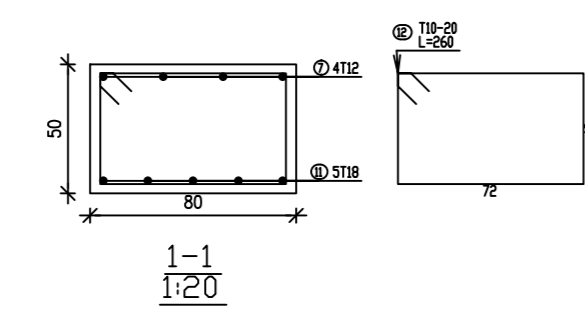
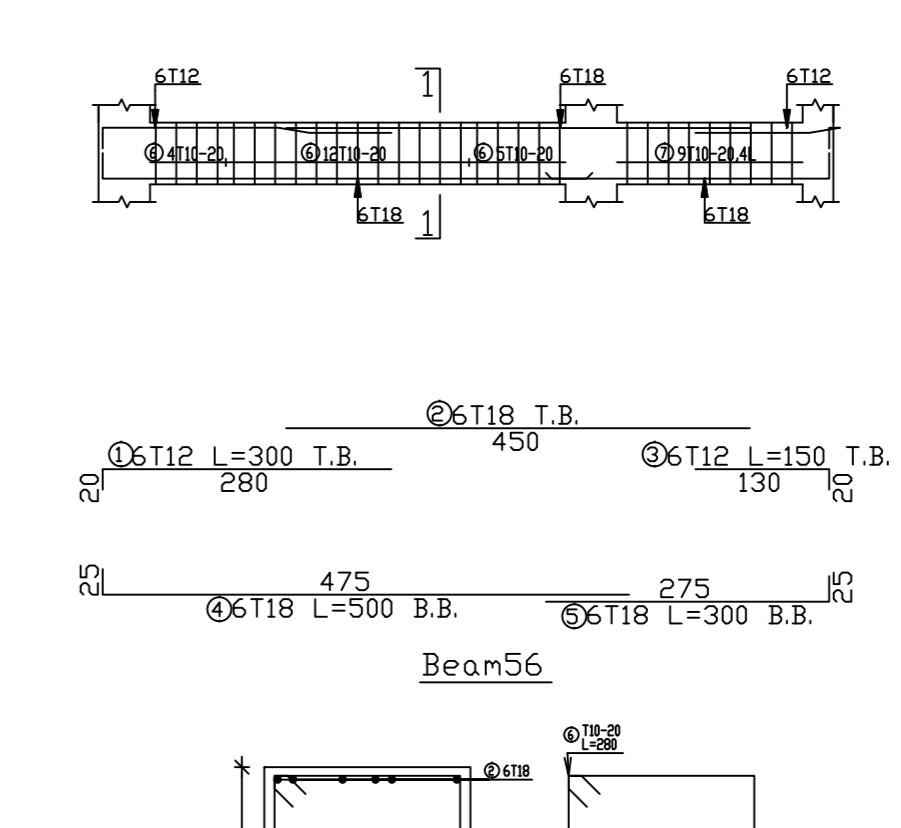
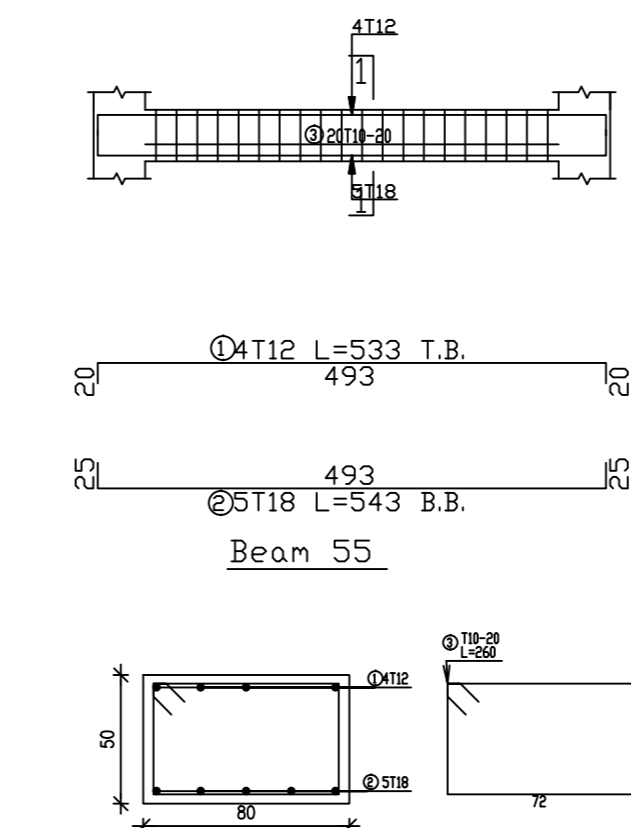
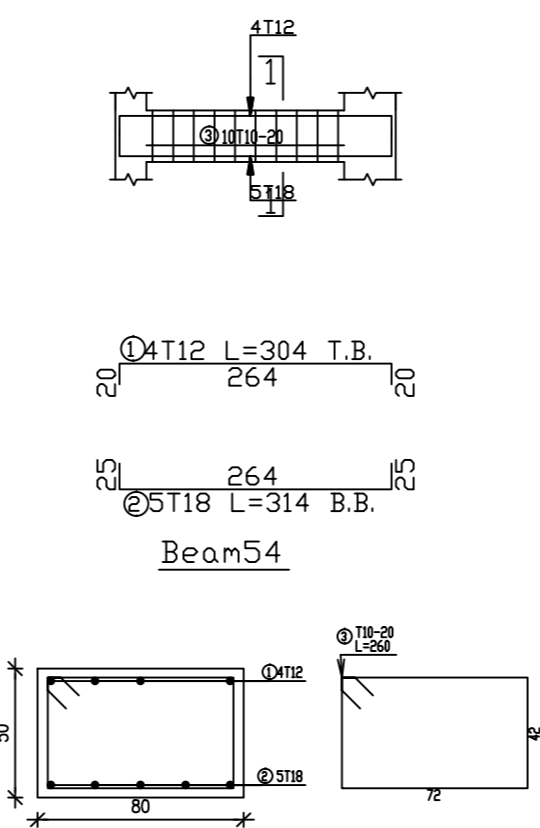
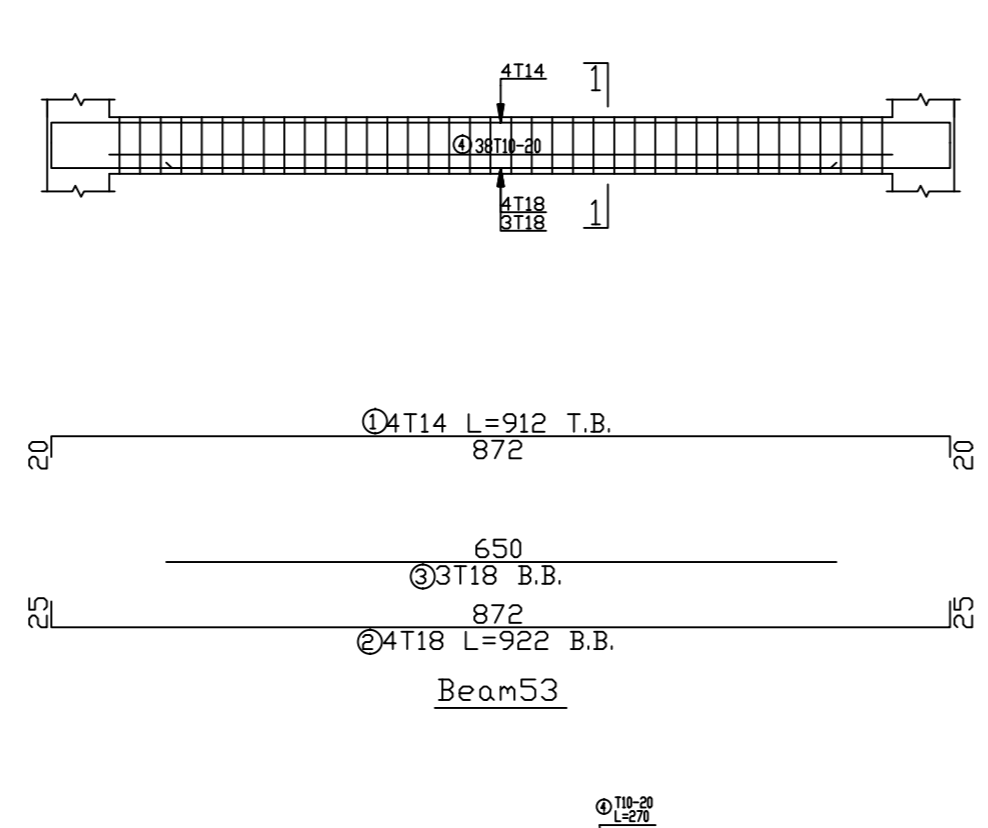
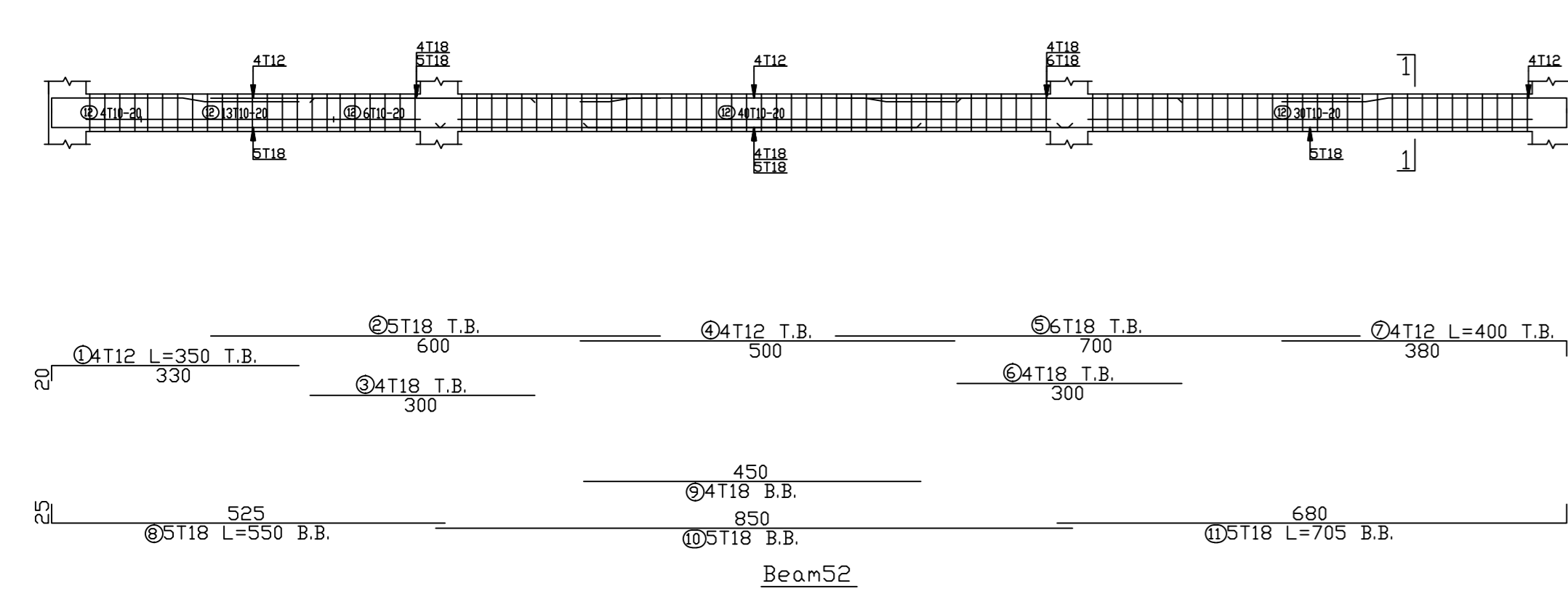
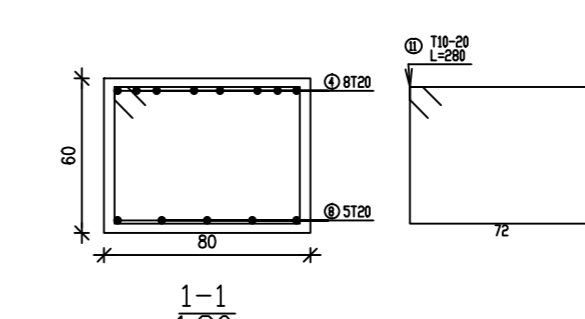
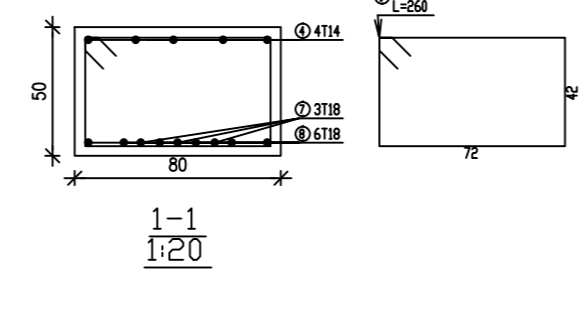
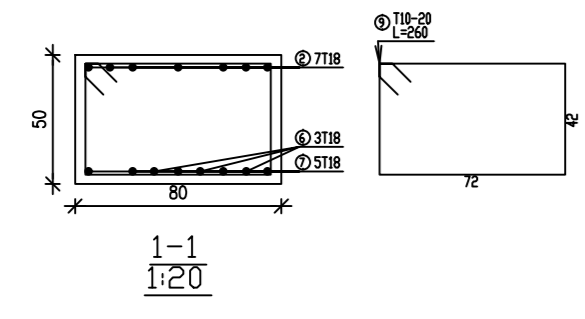
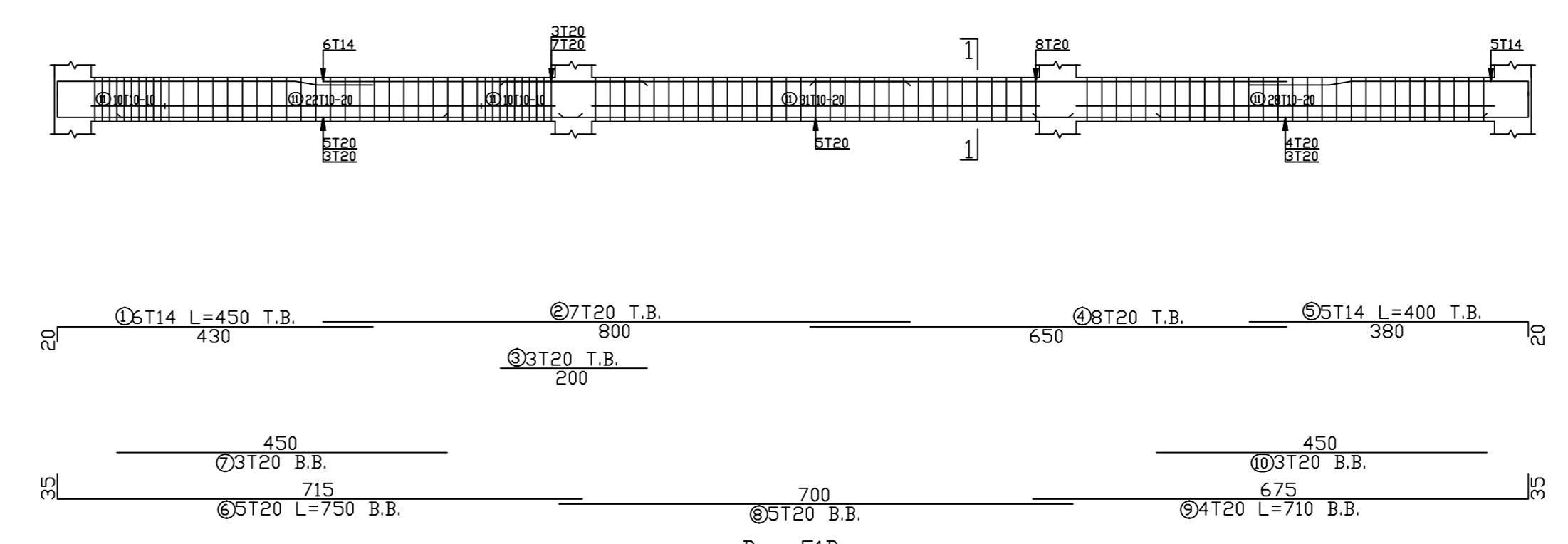
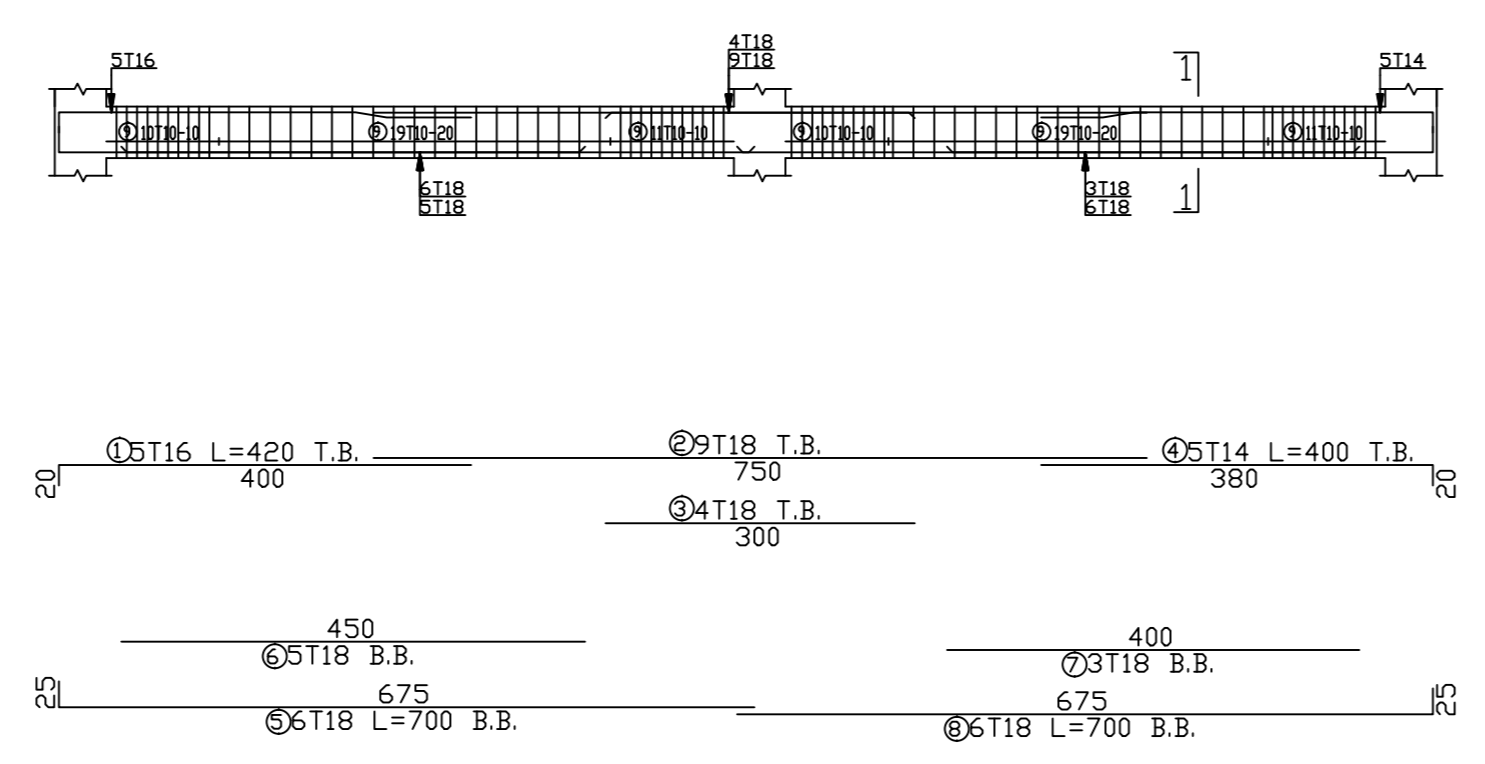
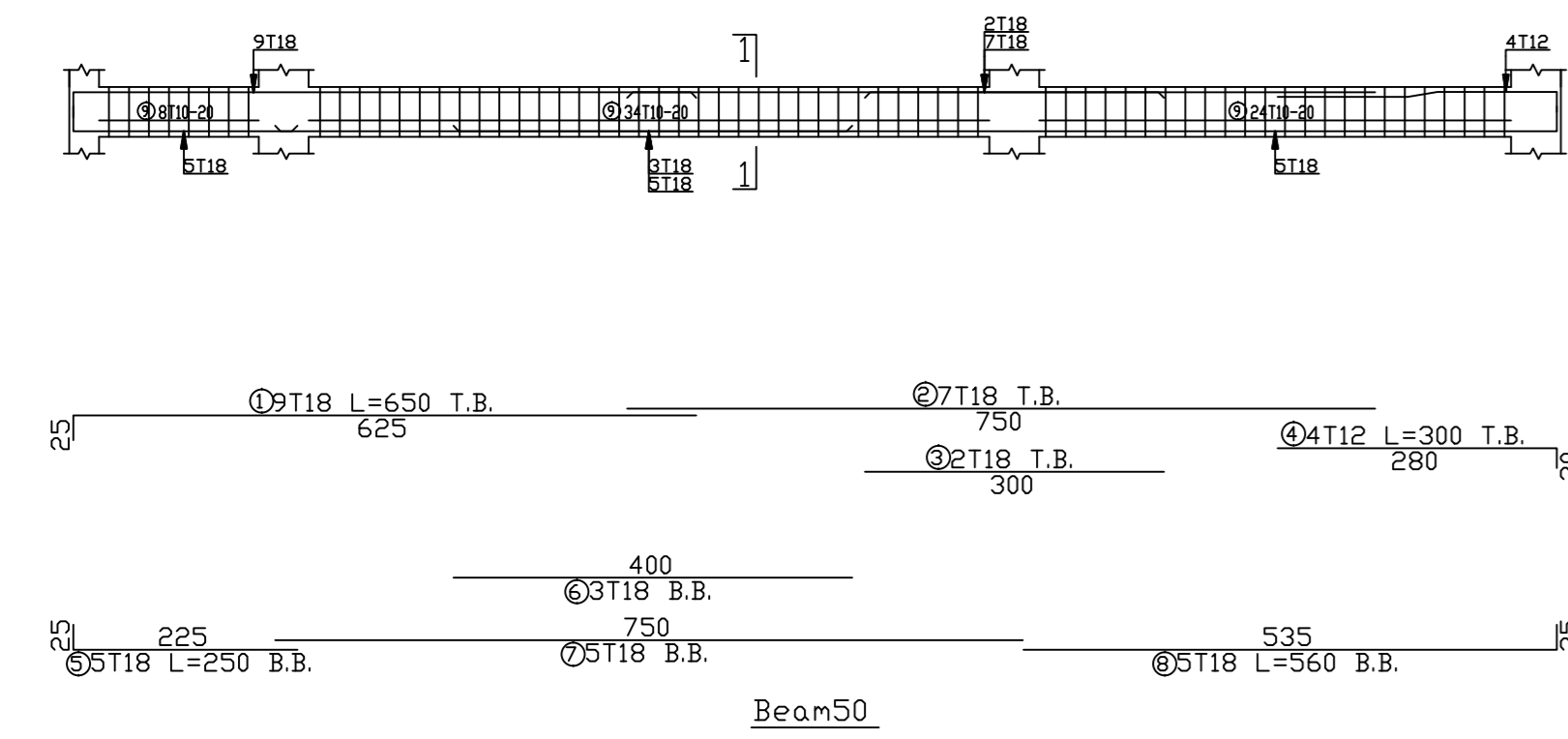
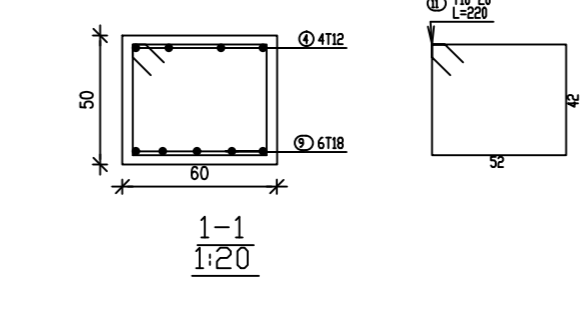
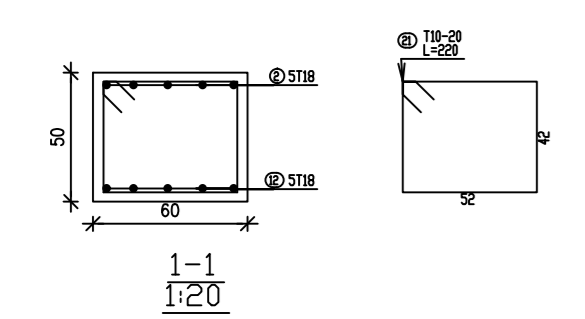
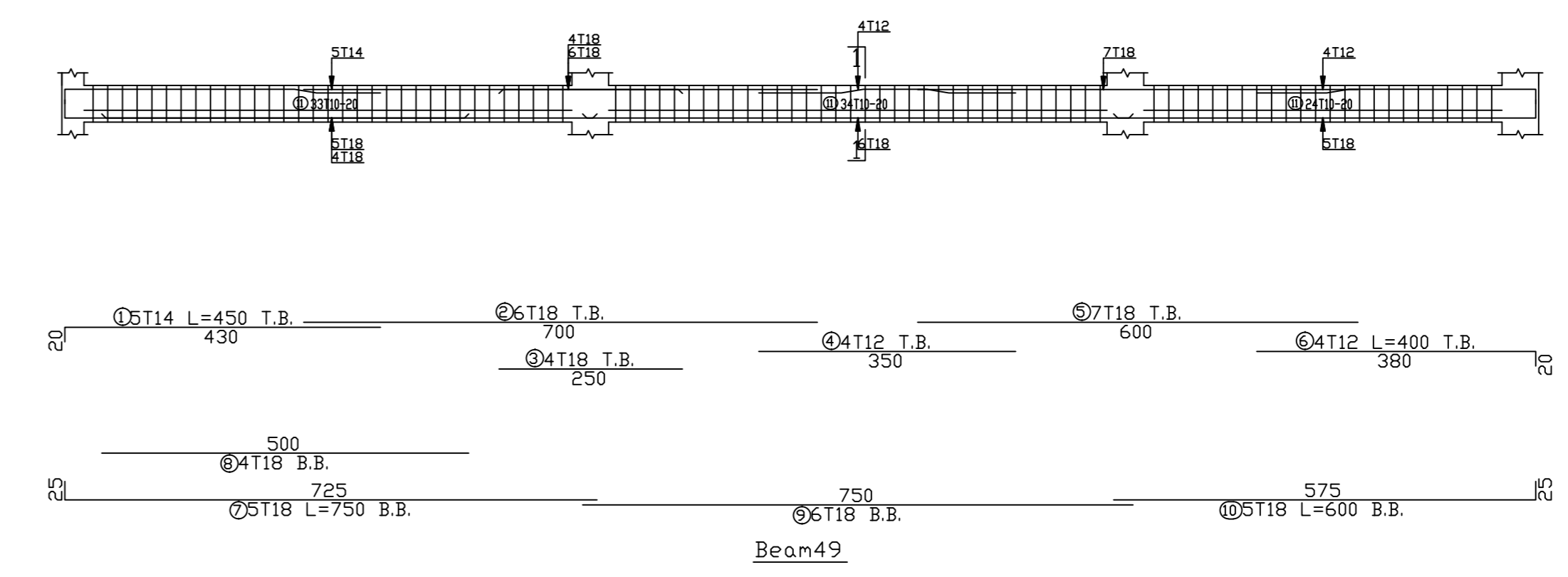
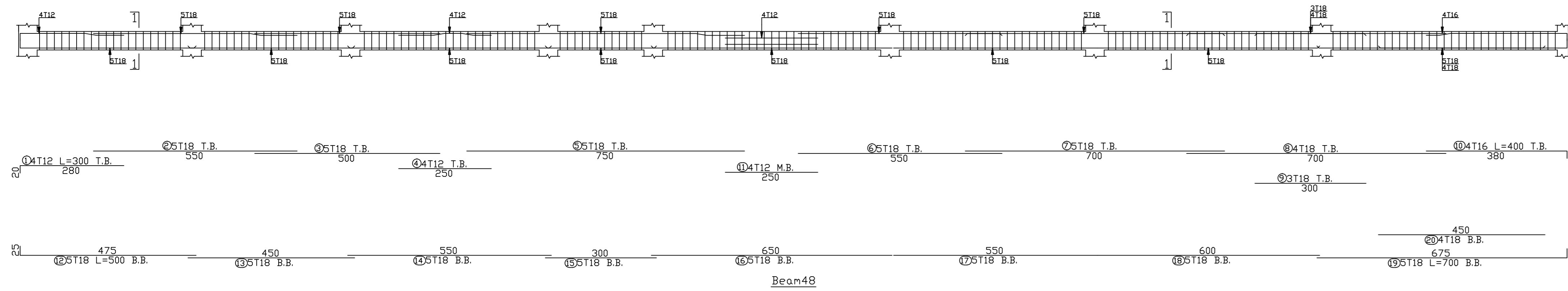
Dr. Nasr Abboushi.

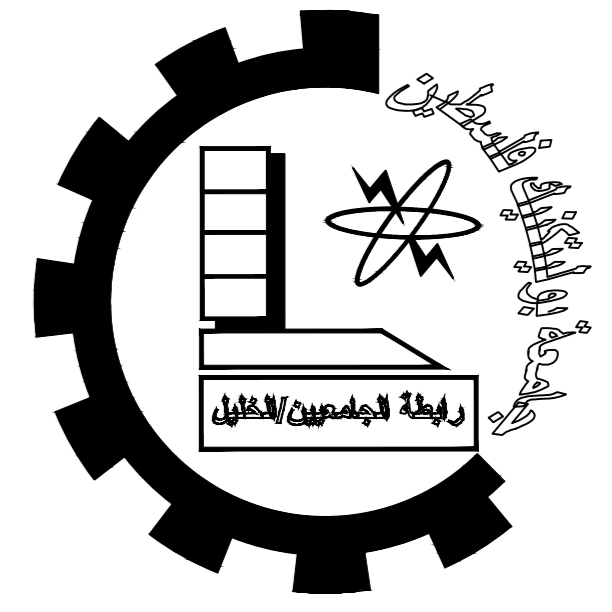
Done by :

Mohammad zareer

Husam Talahmeh

SCALE	No. of DRAW	DATE
1/100	S47	21/01/2024





Palestine Polytechnic University

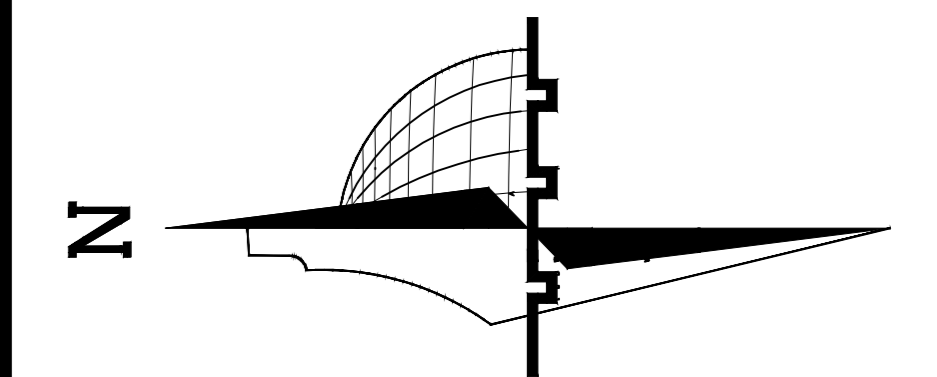
College of Engineering

Civil Engineering Department

Civil Engineering

Graduation Project

Al-Noor Hotel



**Legend :**

- |  |                     |  |                 |
|--|---------------------|--|-----------------|
|  | Stone               |  | Gravel          |
|  | R.Concrete          |  | Wood            |
|  | Concrete            |  | HEXAGONAL TILES |
|  | Hollow Block        |  | BAKLAVA TILES   |
|  | isolating materials |  | GRASS           |

DRAWING TITLE :

First Floor Slab  
Distribution of Ribs

Supervisor

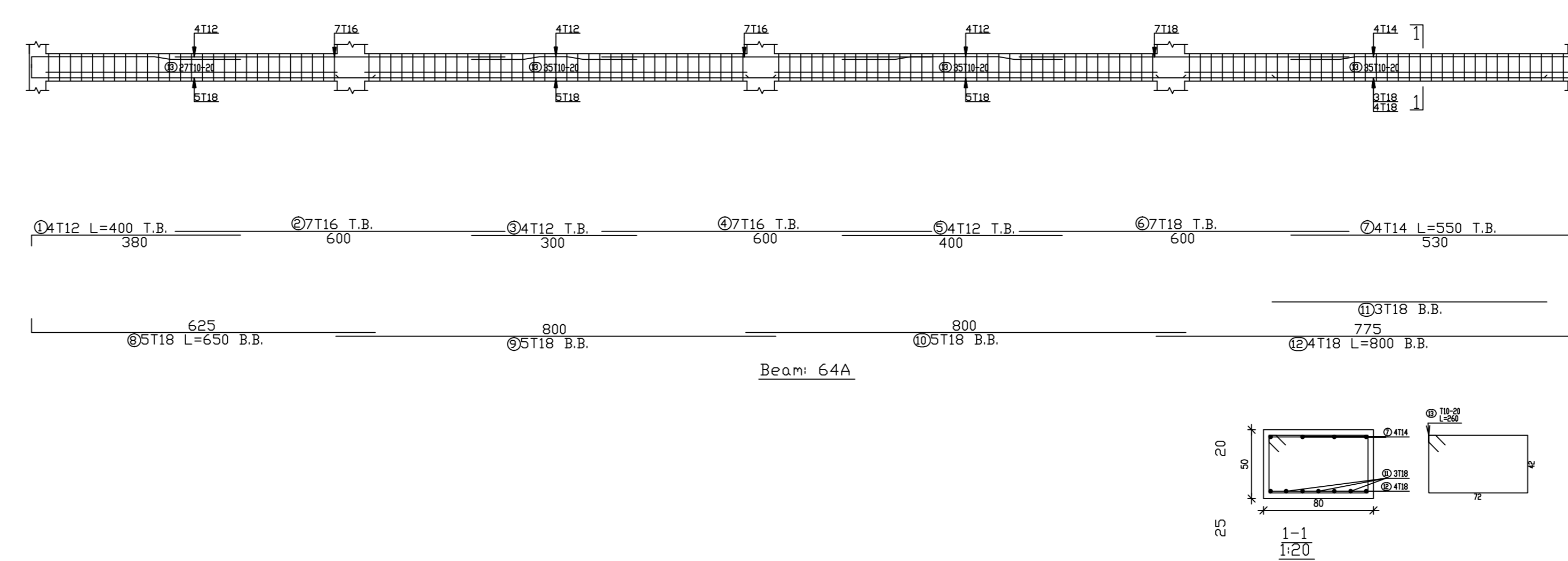
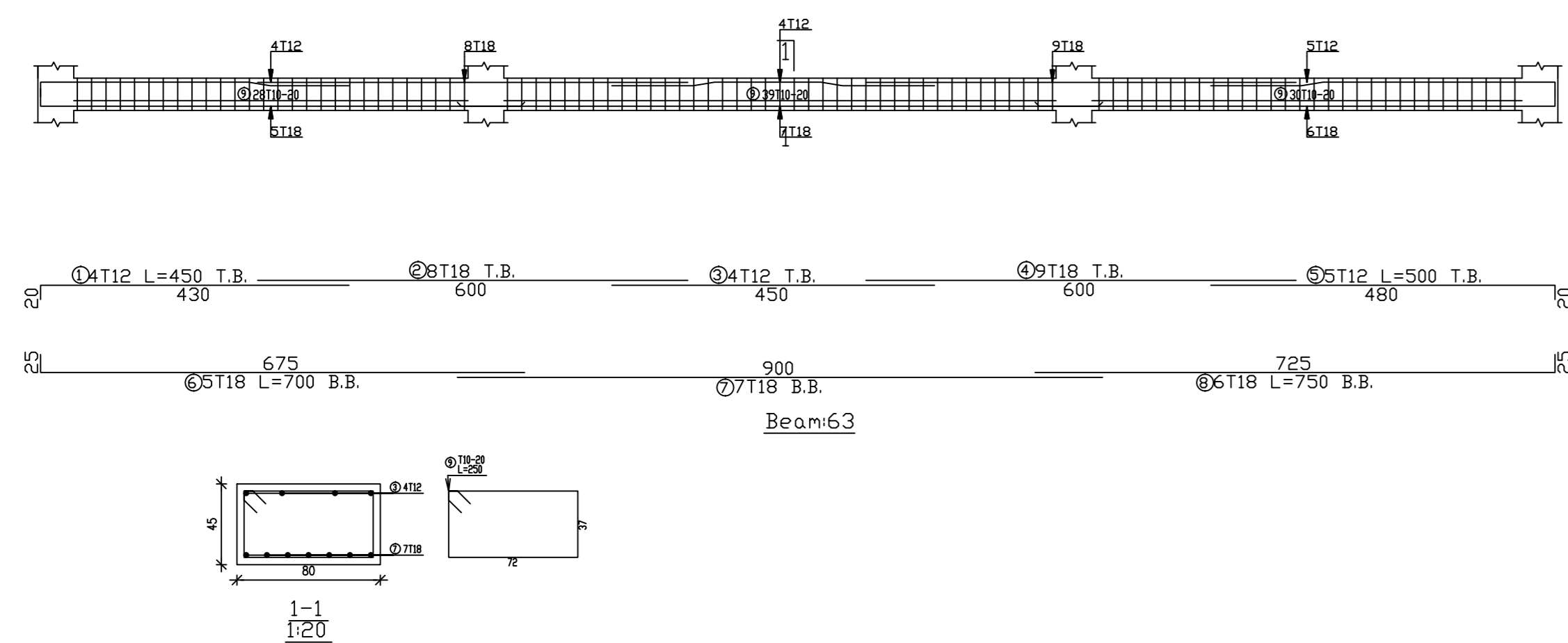
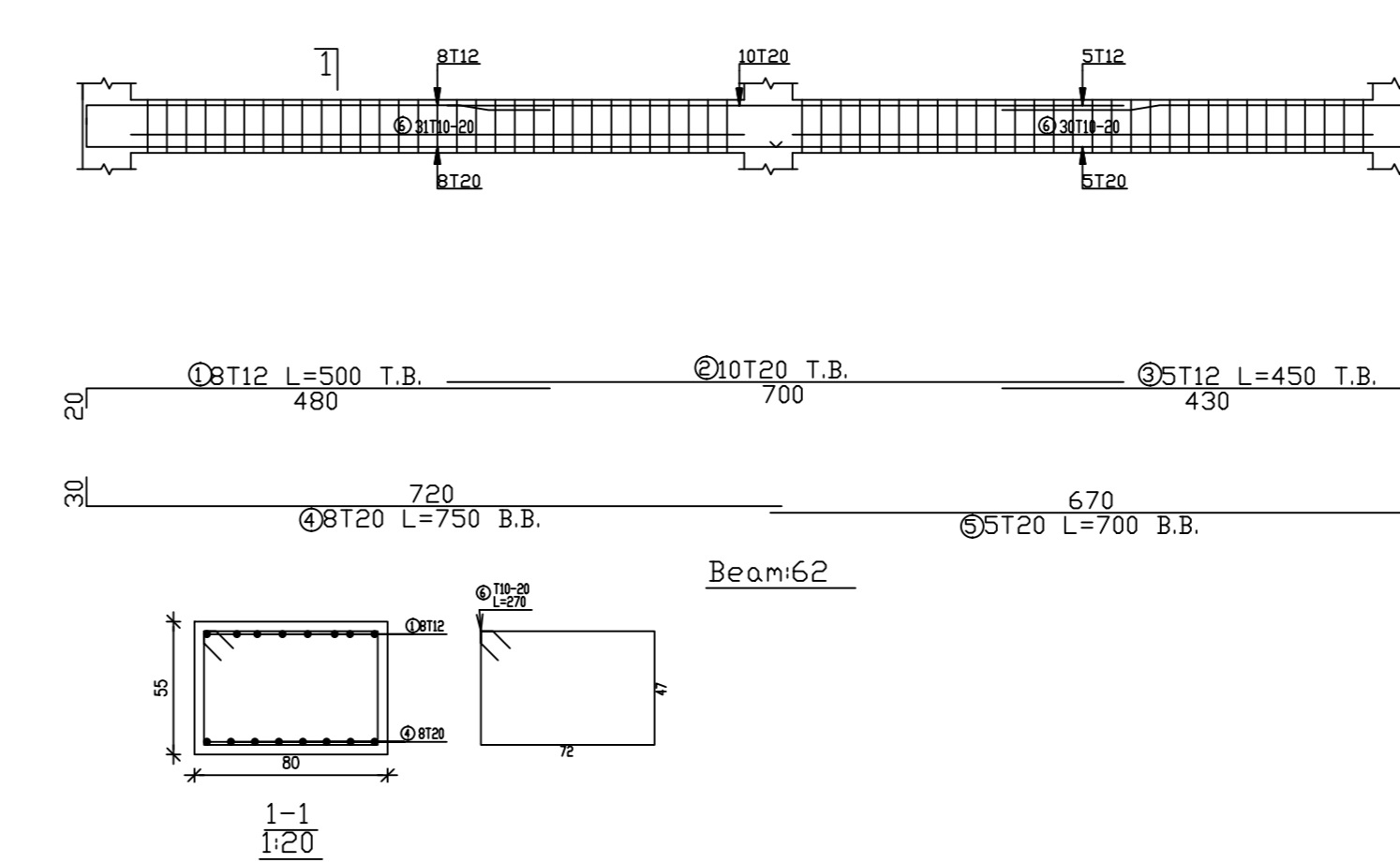
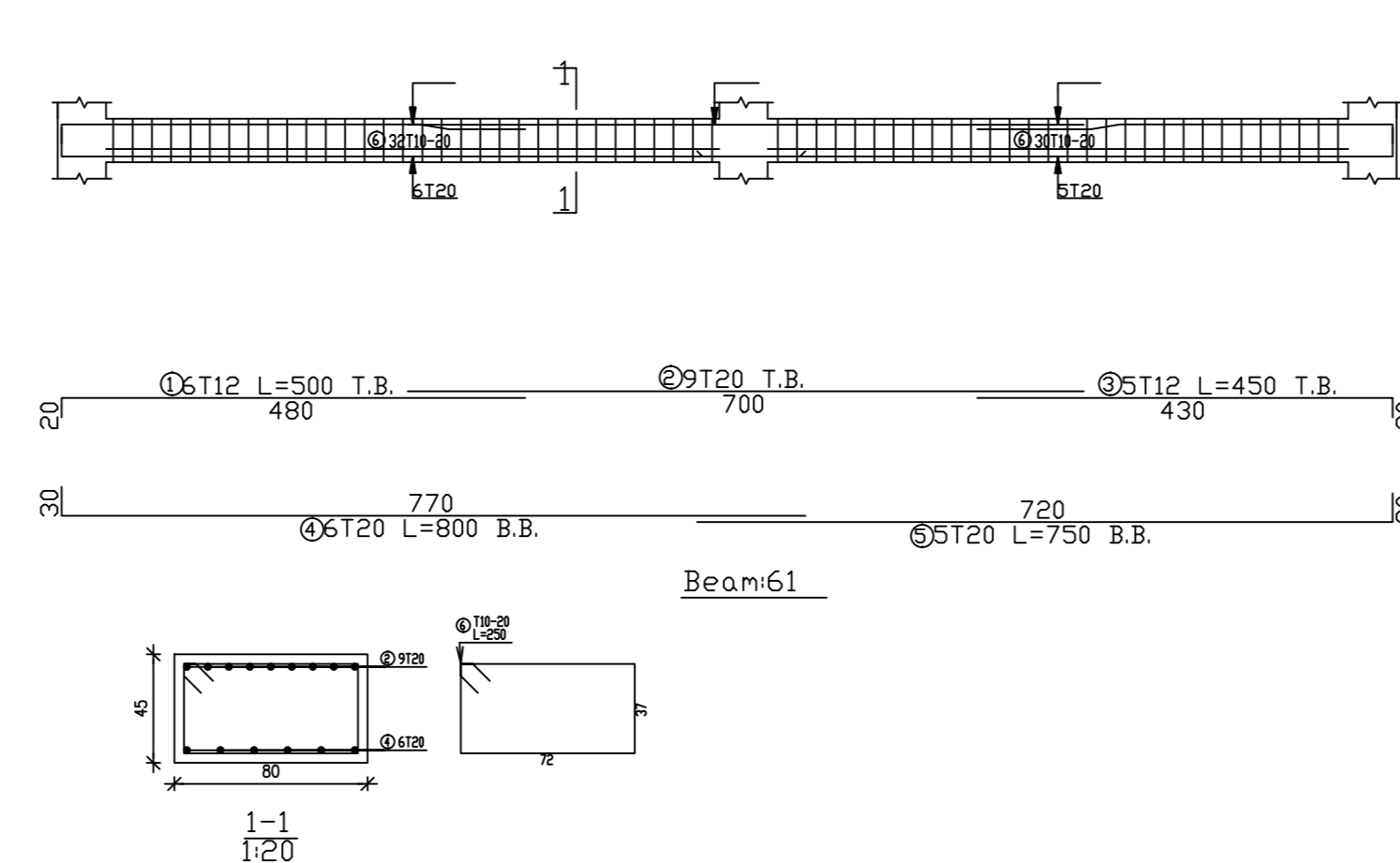
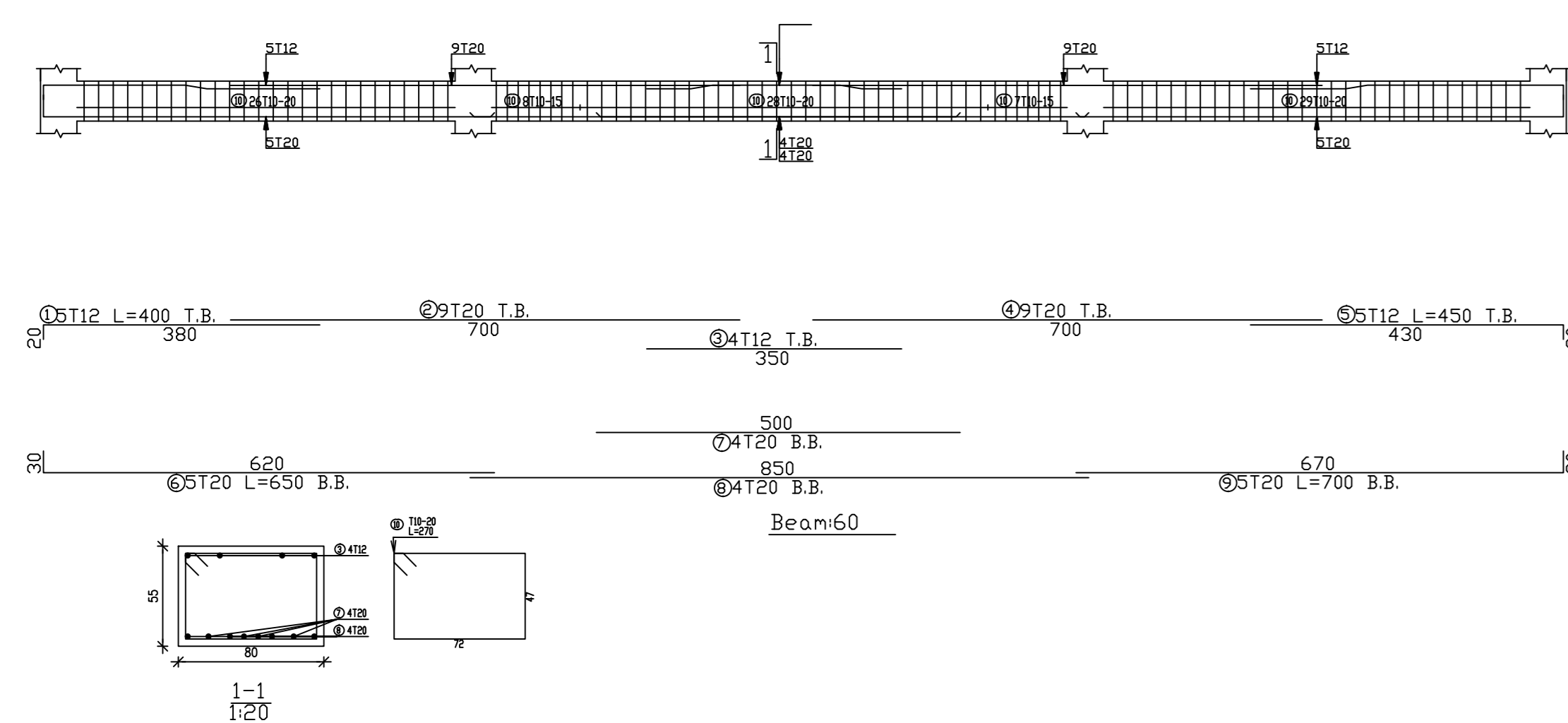
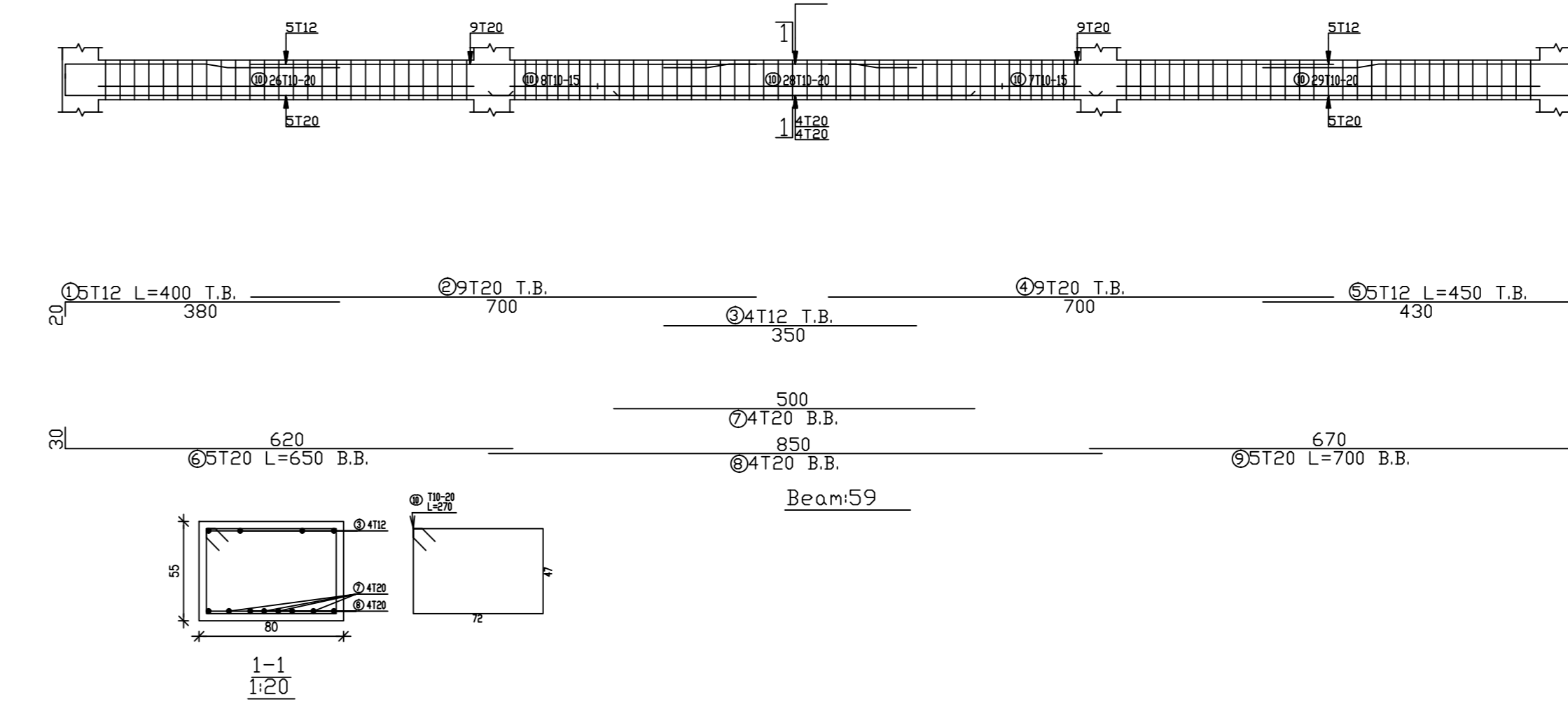
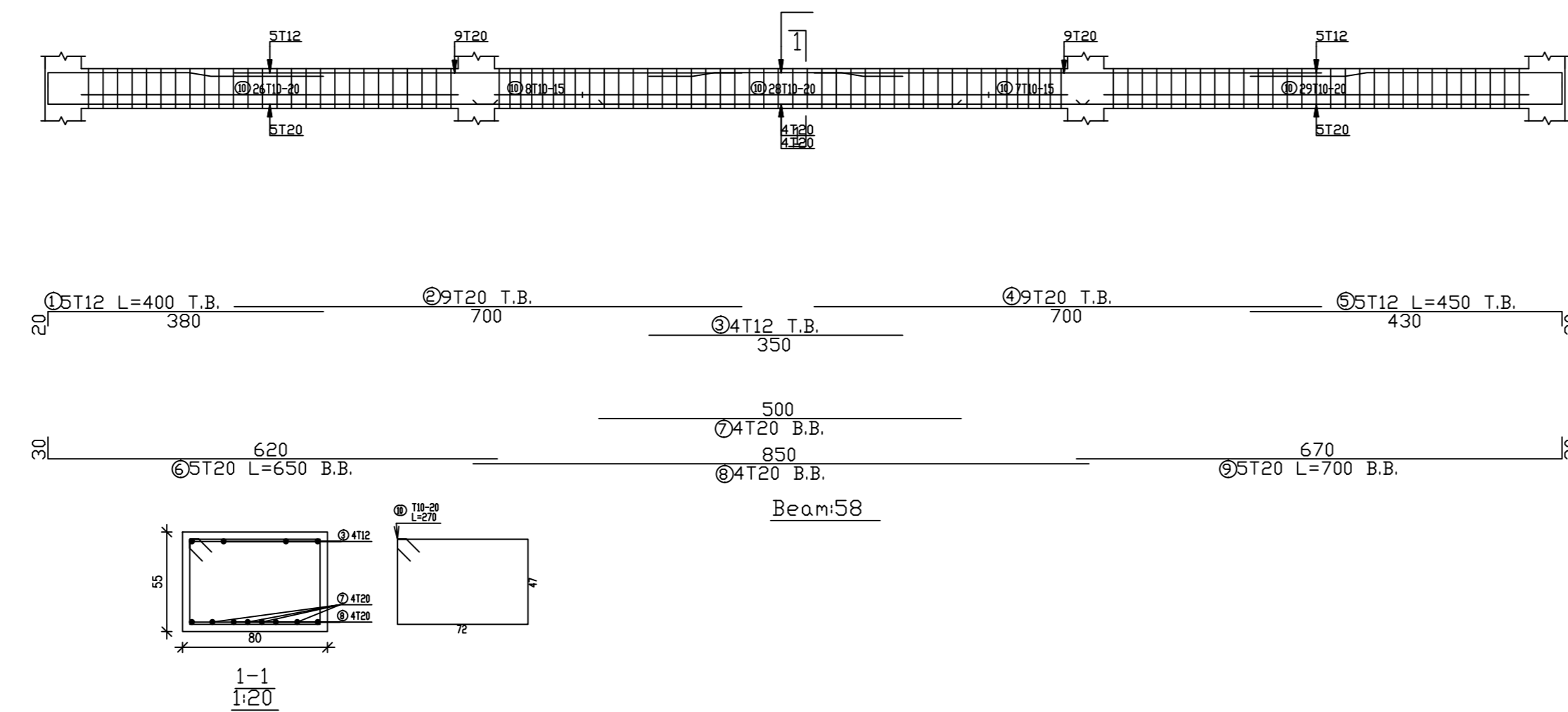
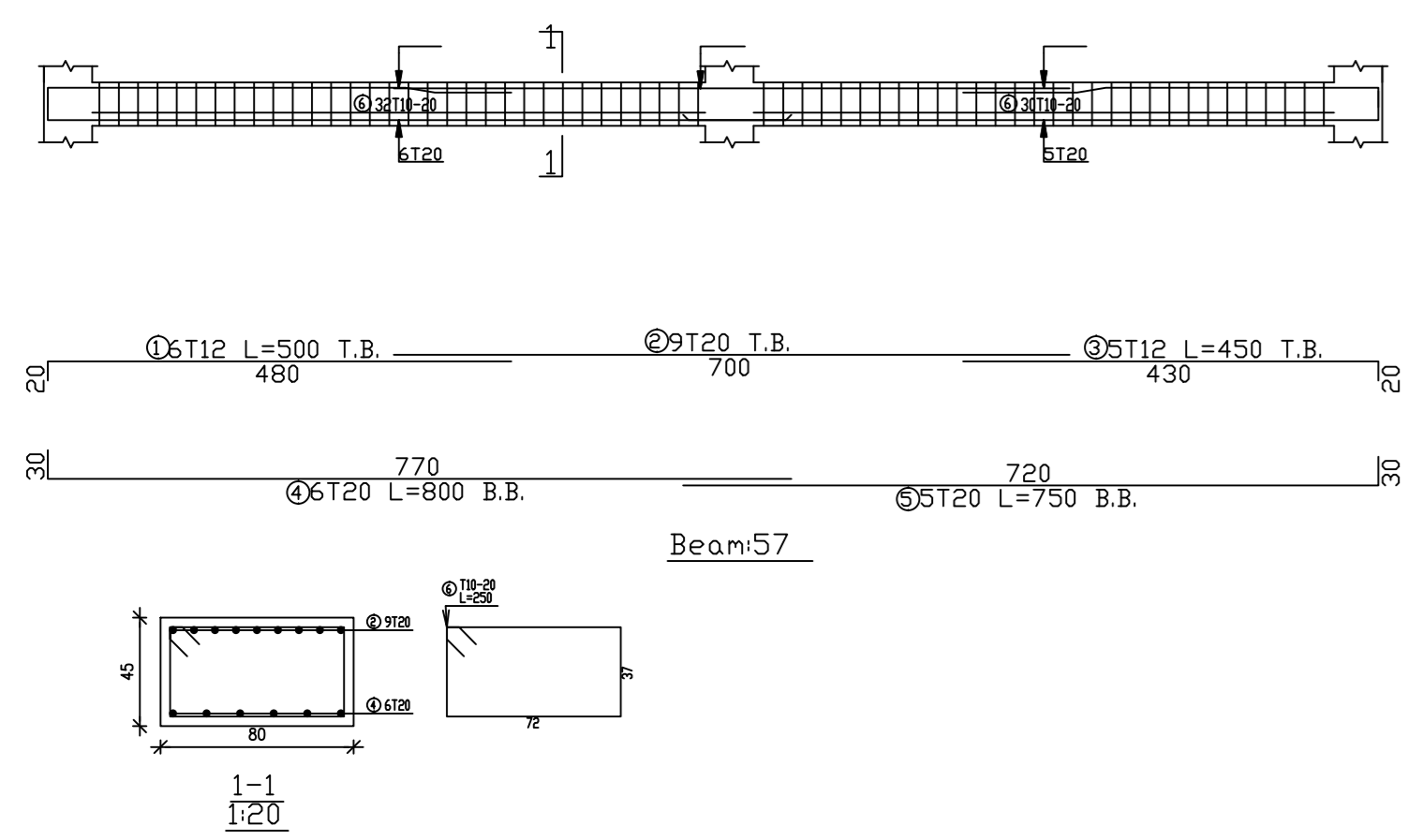
Dr. Nasr Abboushi.

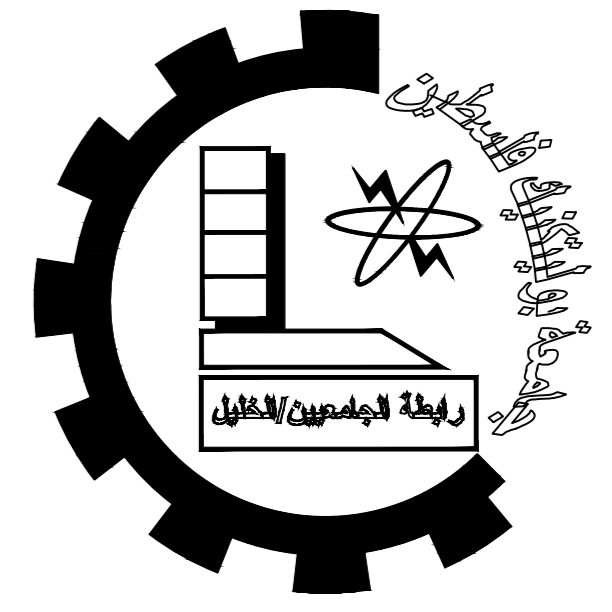
Done by :

Mohammad zareer

Husam Talahmeh

SCALE	No. of DRAW	DATE
1/100	S48	21/01/2024





Palestine Polytechnic University

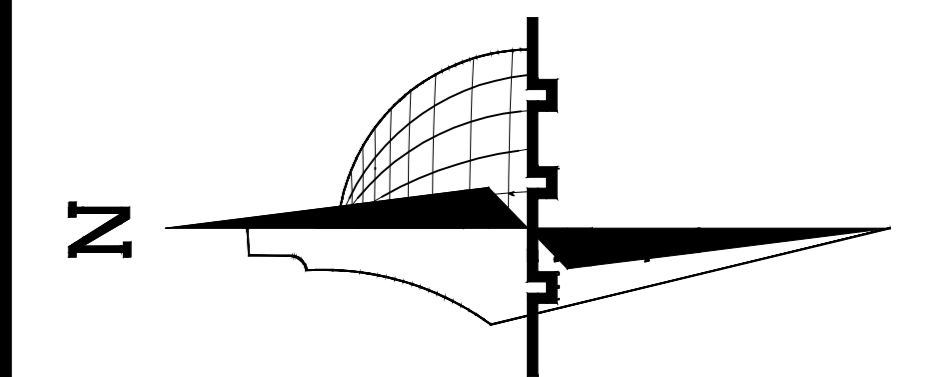
College of Engineering

Civil Engineering Department

Civil Engineering

Graduation Project

Al-Noor Hotel



**Legend :**

	Stone		Gravel
	R.Concrete		Wood
	Concrete		HEXAGONAL TILES
	Hollow Block		BAKLAVA TILES
	isolating materials		GRASS

DRAWING TITLE :

First Floor Slab  
Distribution of Ribs

Supervisor

Dr. Nasr Abboushi.

Done by :

Mohammad zareer

Husam Talahmeh

SCALE

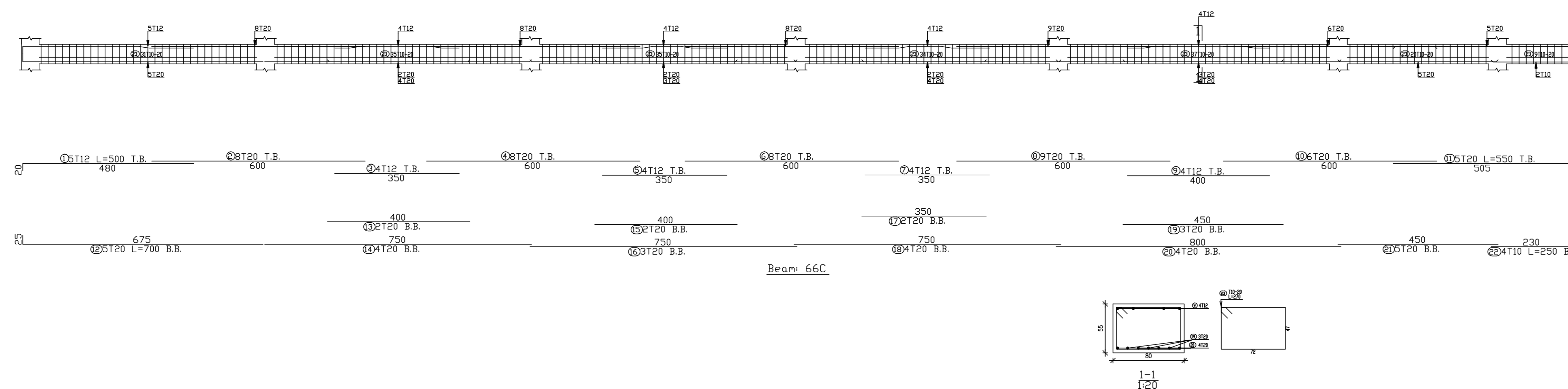
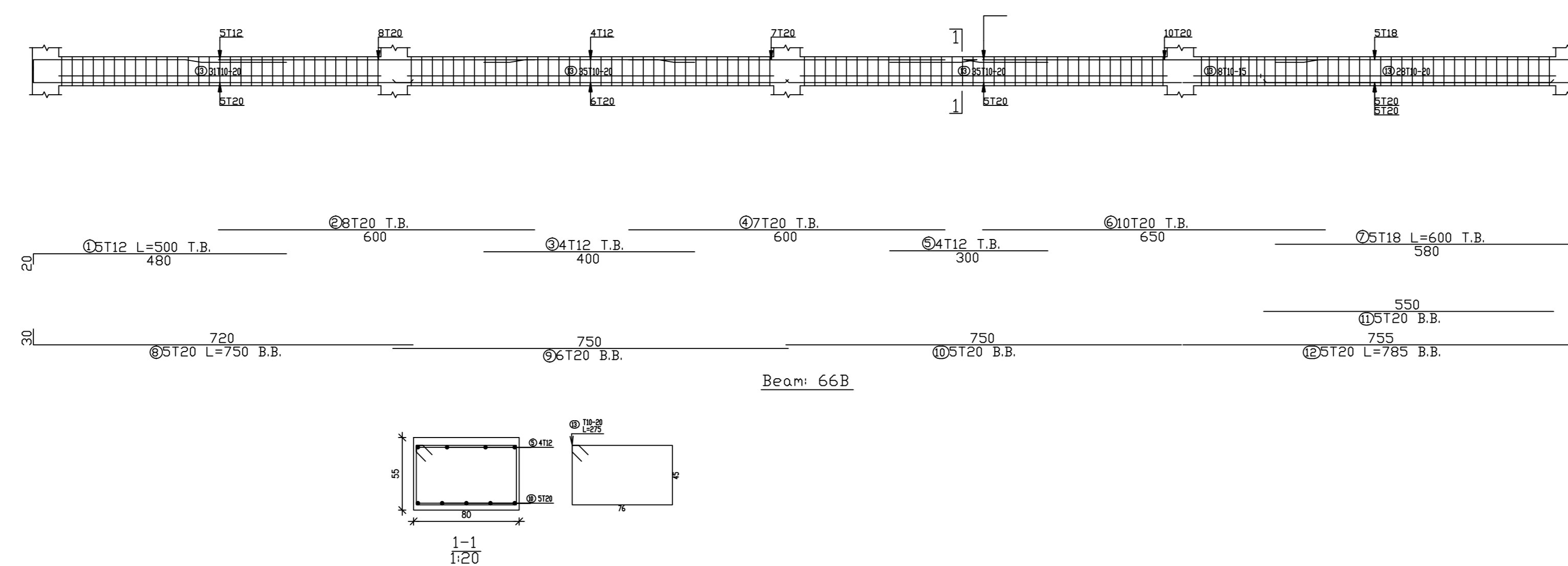
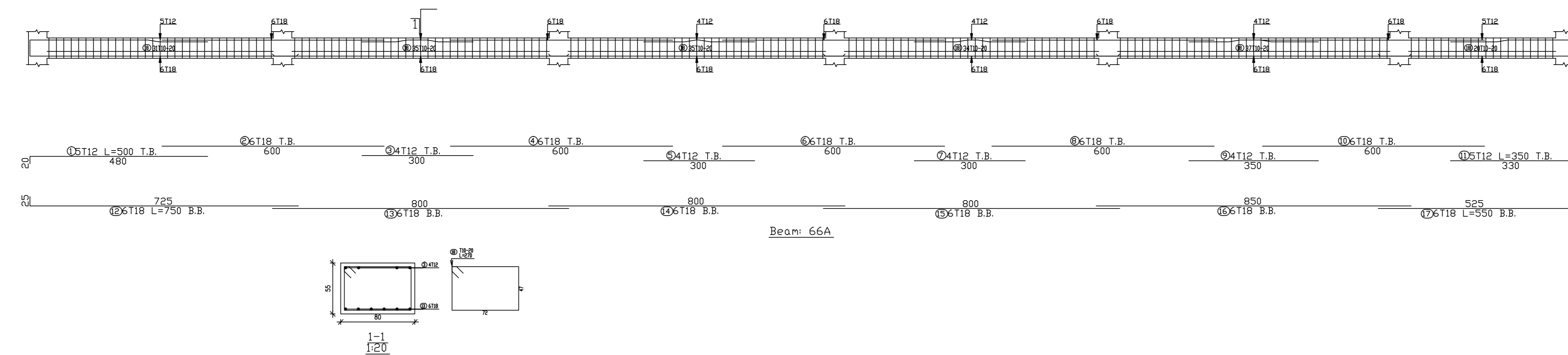
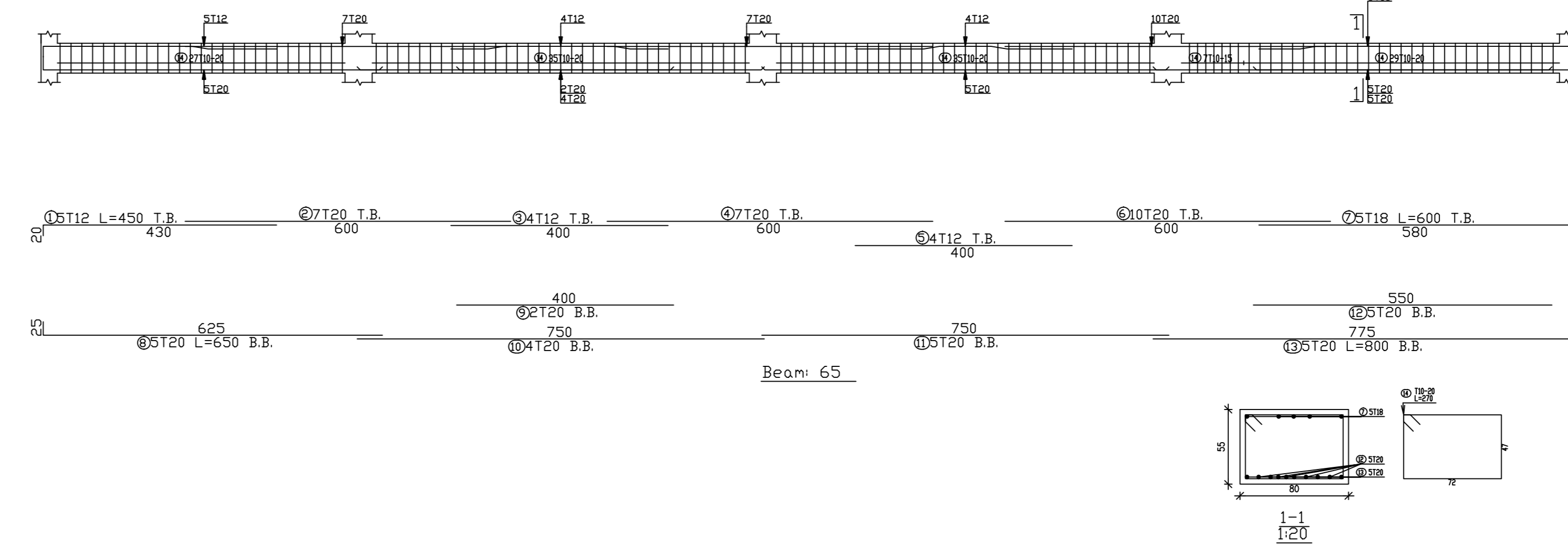
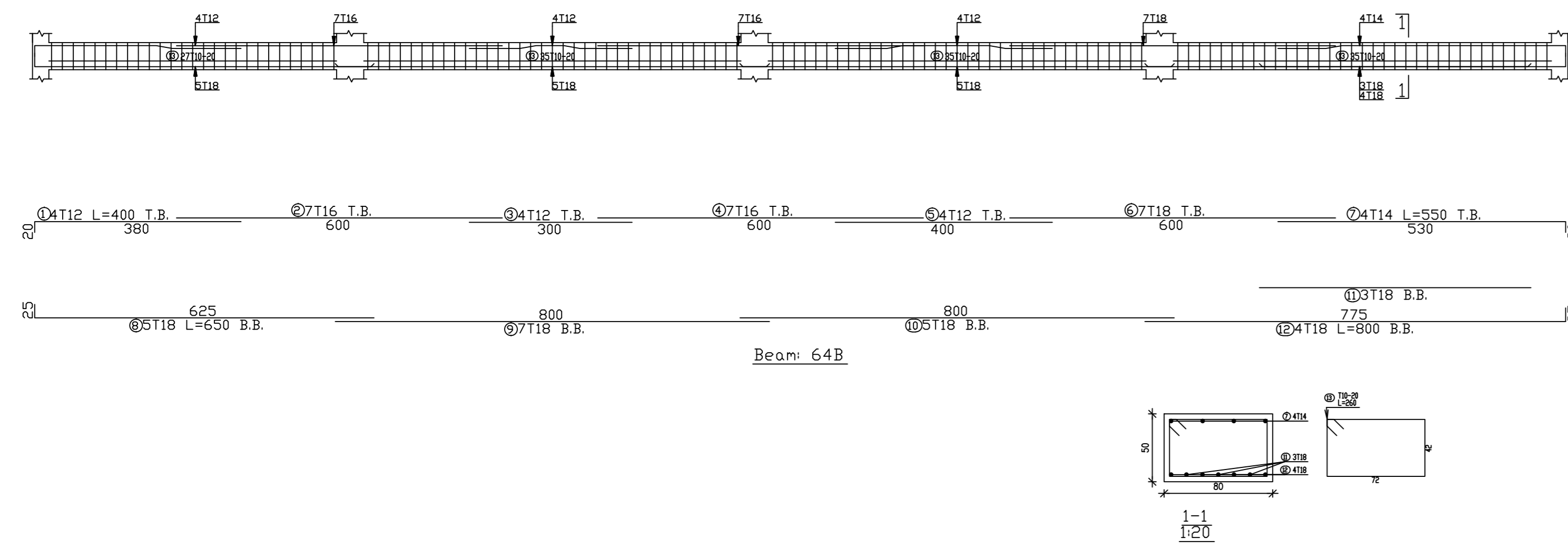
No. of  
DRAW

DATE

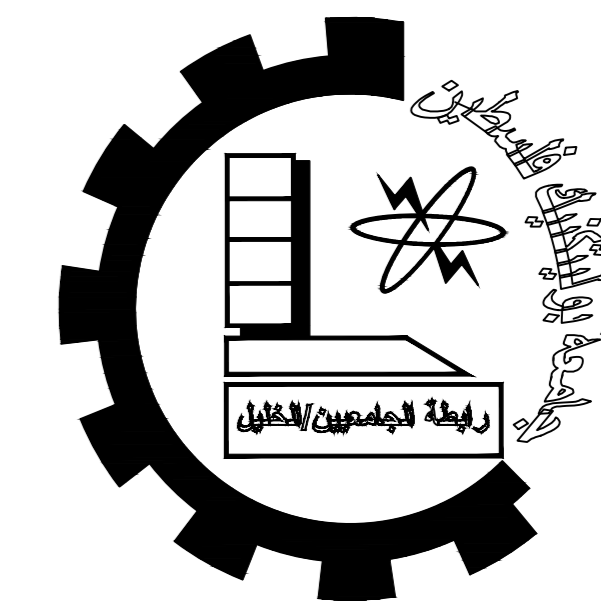
1/100

S49

21/01/2024







Palestine Polytechnic University

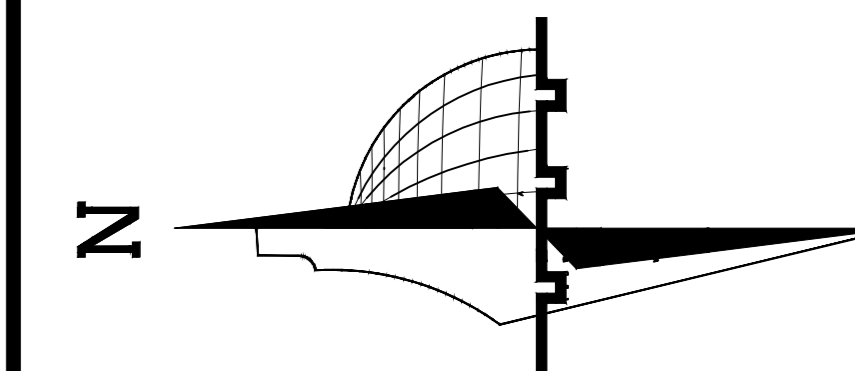
College of Engineering

Civil Engineering Department

Civil Engineering

Graduation Project

Al-Noor Hotel



**Legend :**

- Stone
- Gravel
- R.Concrete
- Wood
- Concrete
- HEXAGONAL TILES
- Hollow Block
- BAKLAVA TILES
- isolating materials
- GRASS

DRAWING TITLE :

First Floor Slab  
Distribution of Ribs

Supervisor

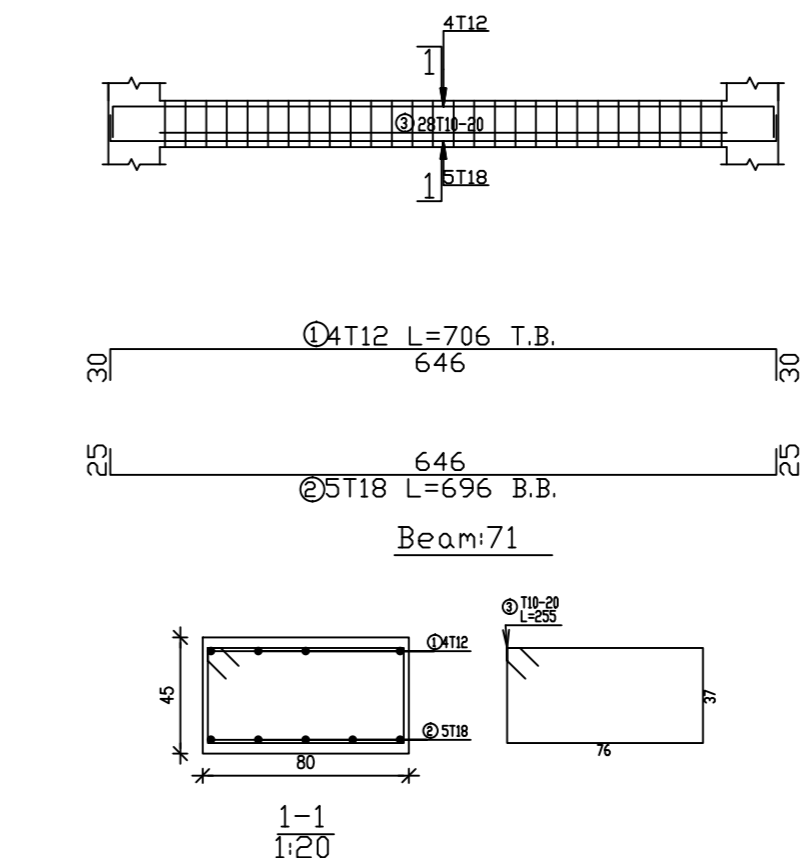
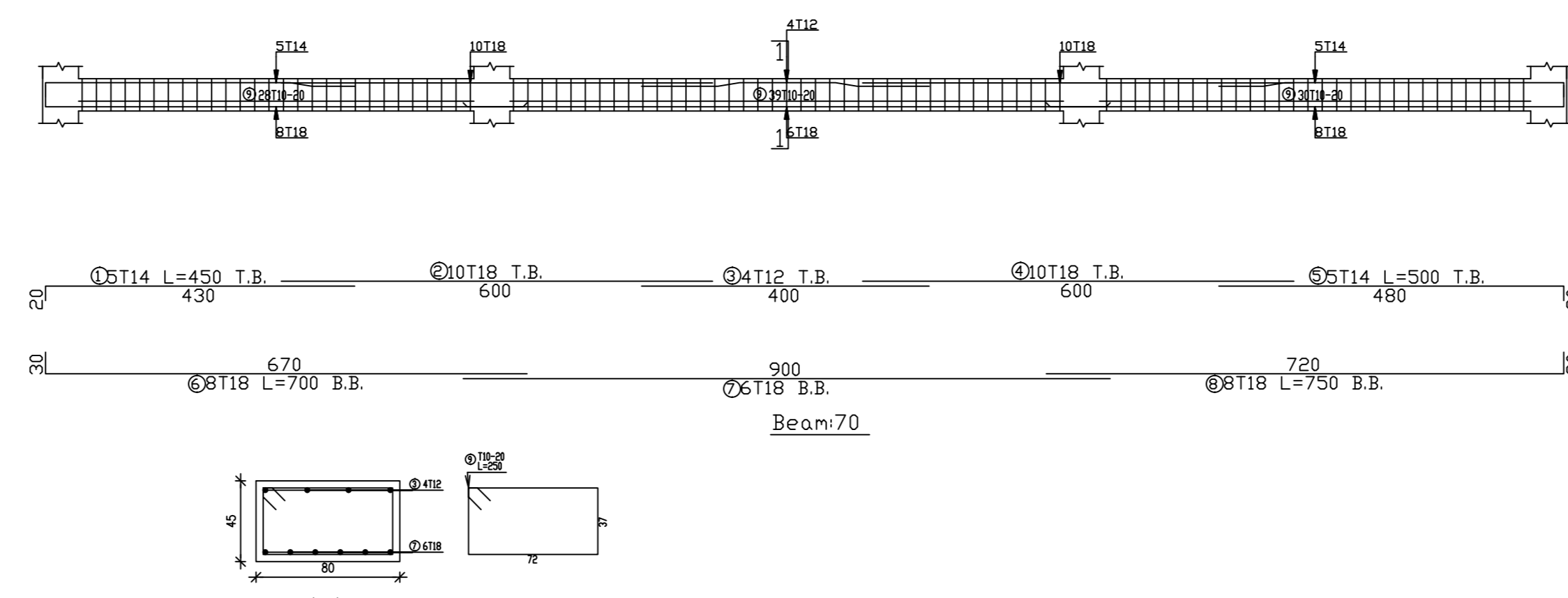
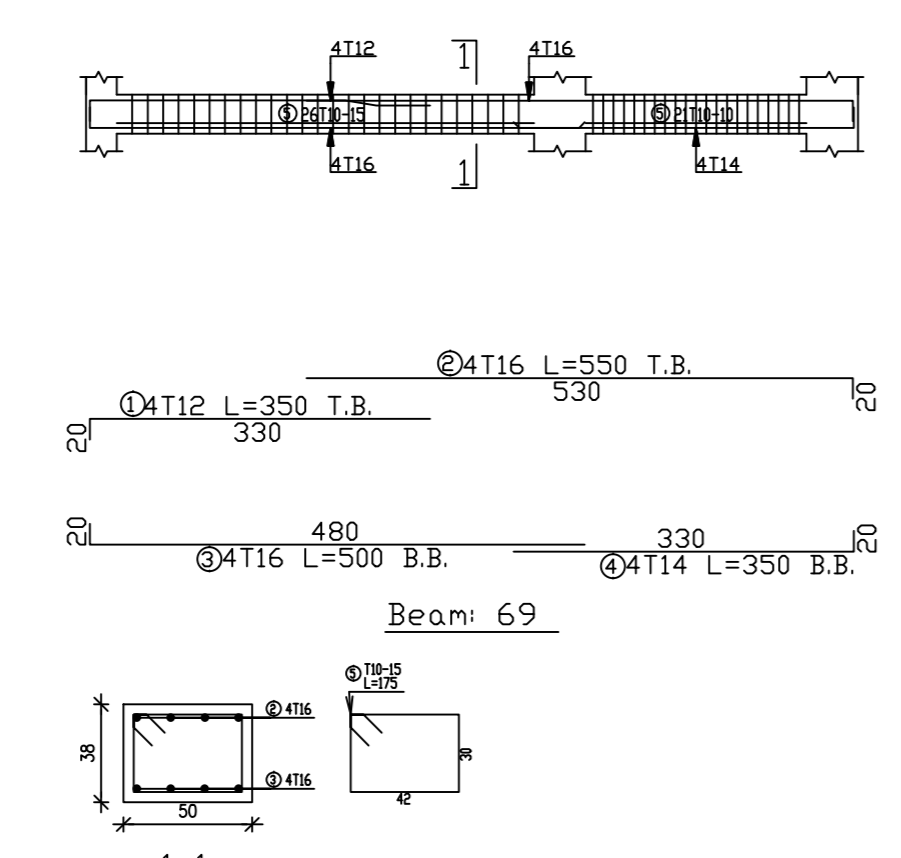
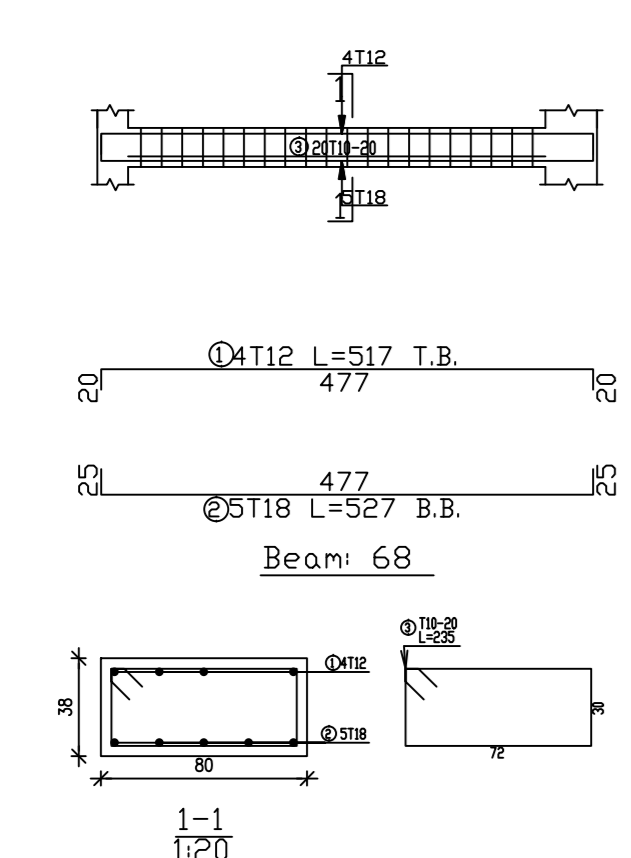
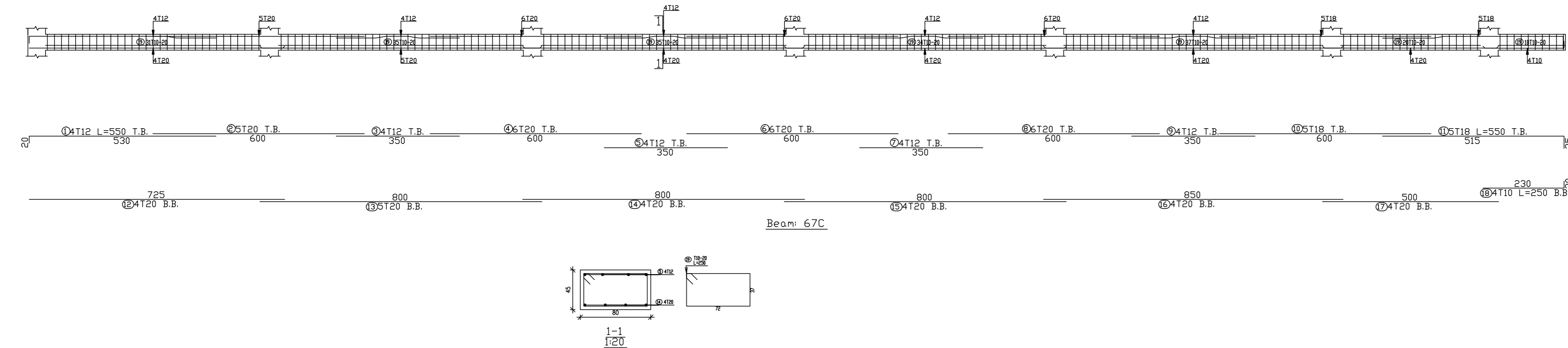
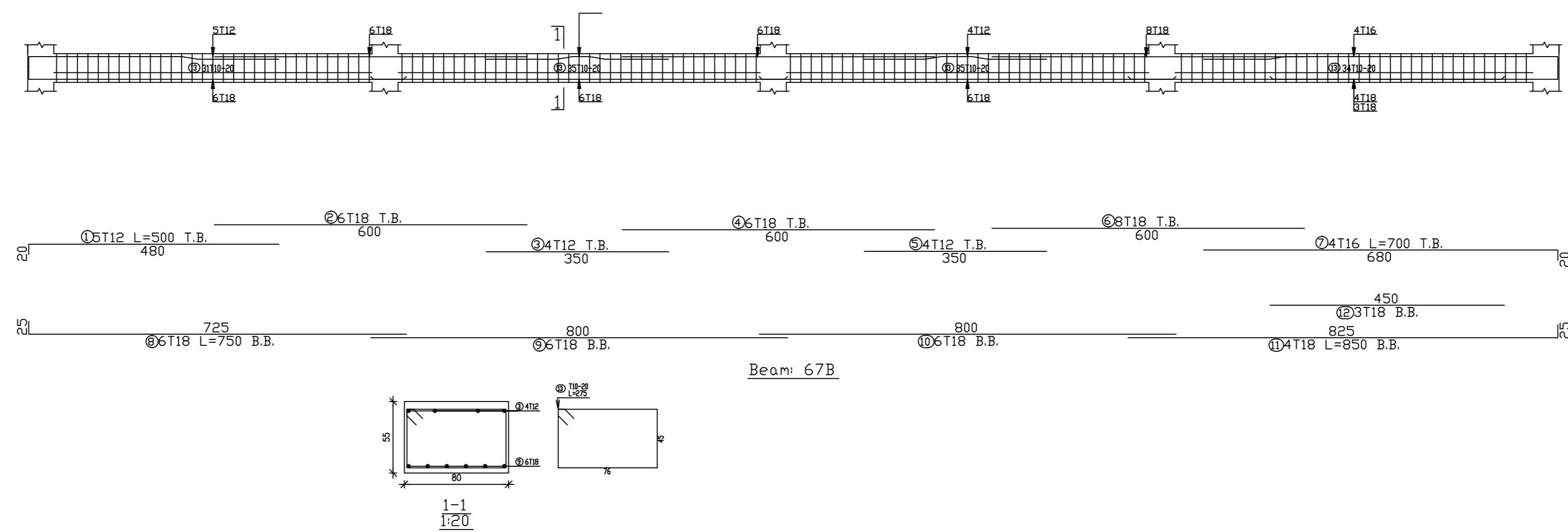
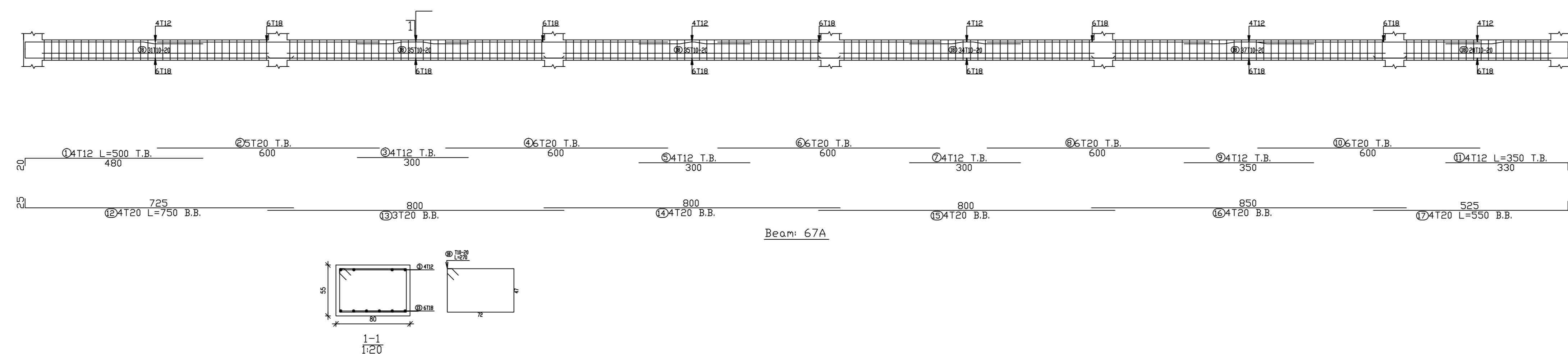
Dr. Nasr Abboushi.

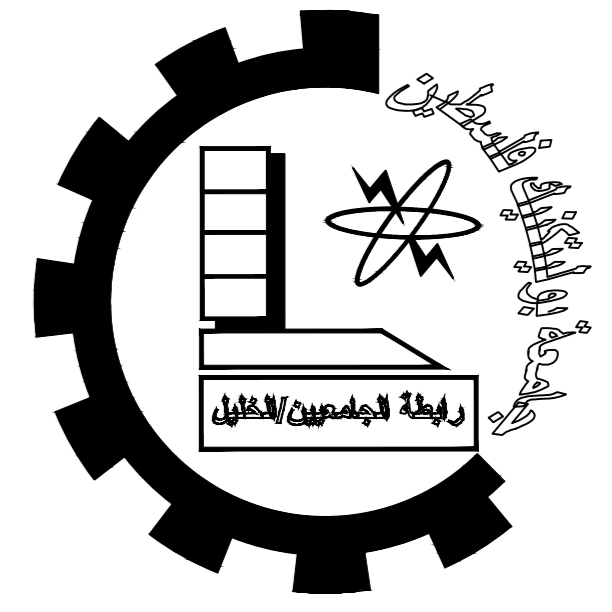
Done by :

Mohammad zareer

Husam Talahmeh

SCALE	No. of DRAW	DATE
1/100	S50	21/01/2024





Palestine Polytechnic University

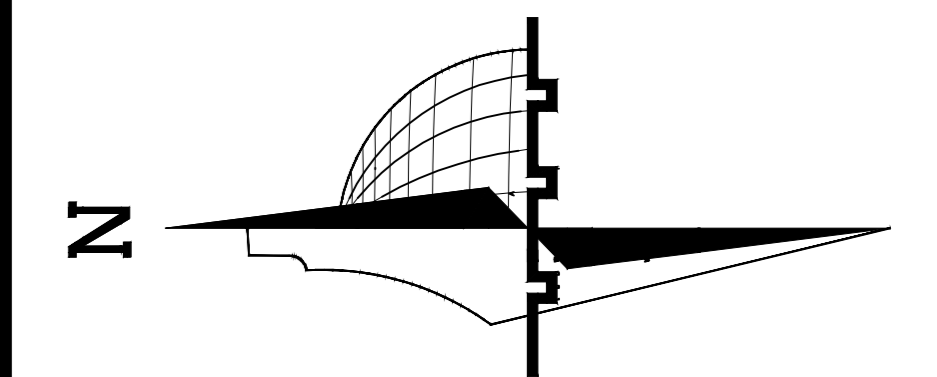
College of Engineering

Civil Engineering Department

Civil Engineering

Graduation Project

Al-Noor Hotel



**Legend :**

- Stone
- R.Concrete
- Concrete
- Hollow Block
- isolating materials
- Gravel
- Wood
- HEXAGONAL TILES
- BAKLAVA TILES
- GRASS

DRAWING TITLE :

First Floor Slab  
Distribution of Ribs

Supervisor

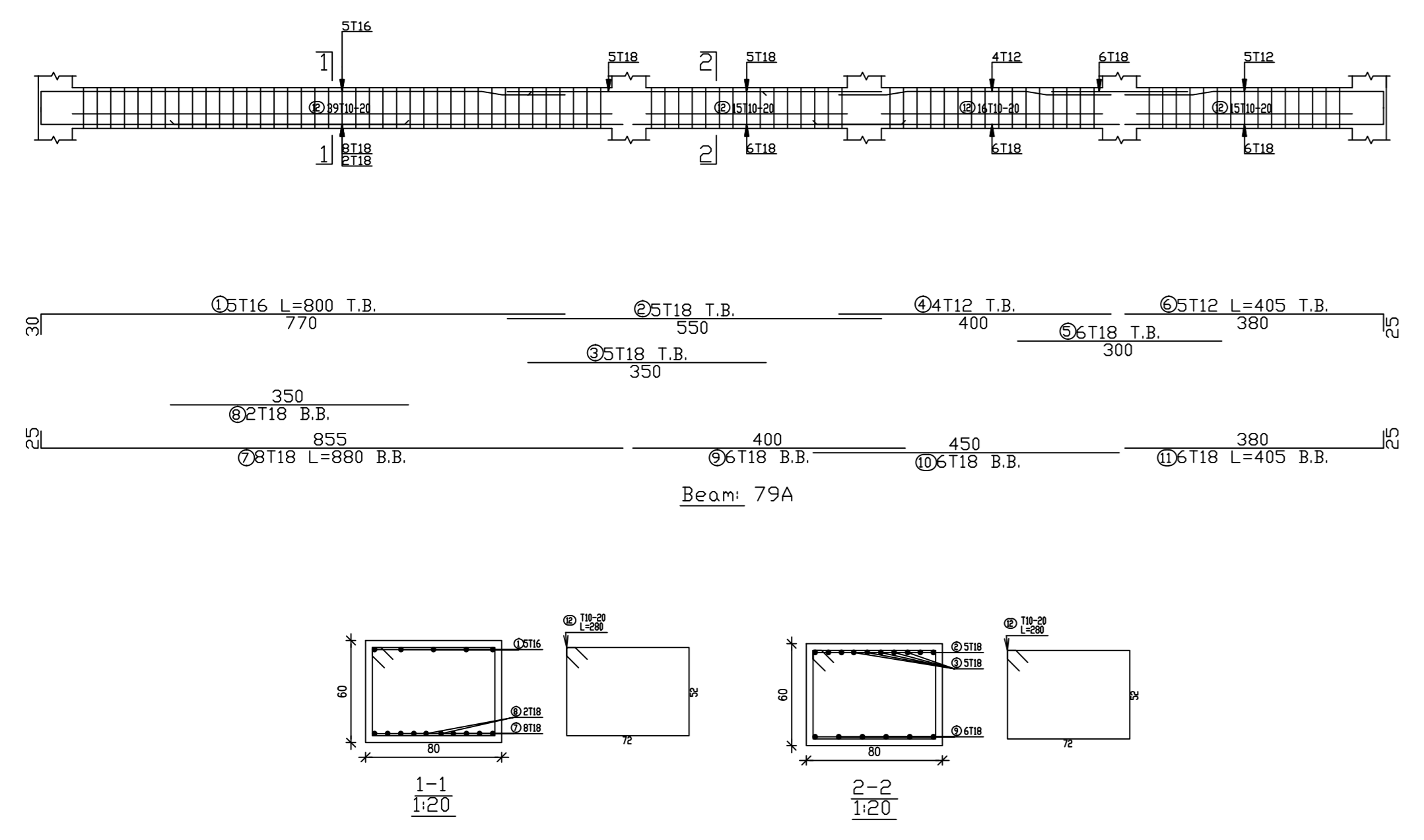
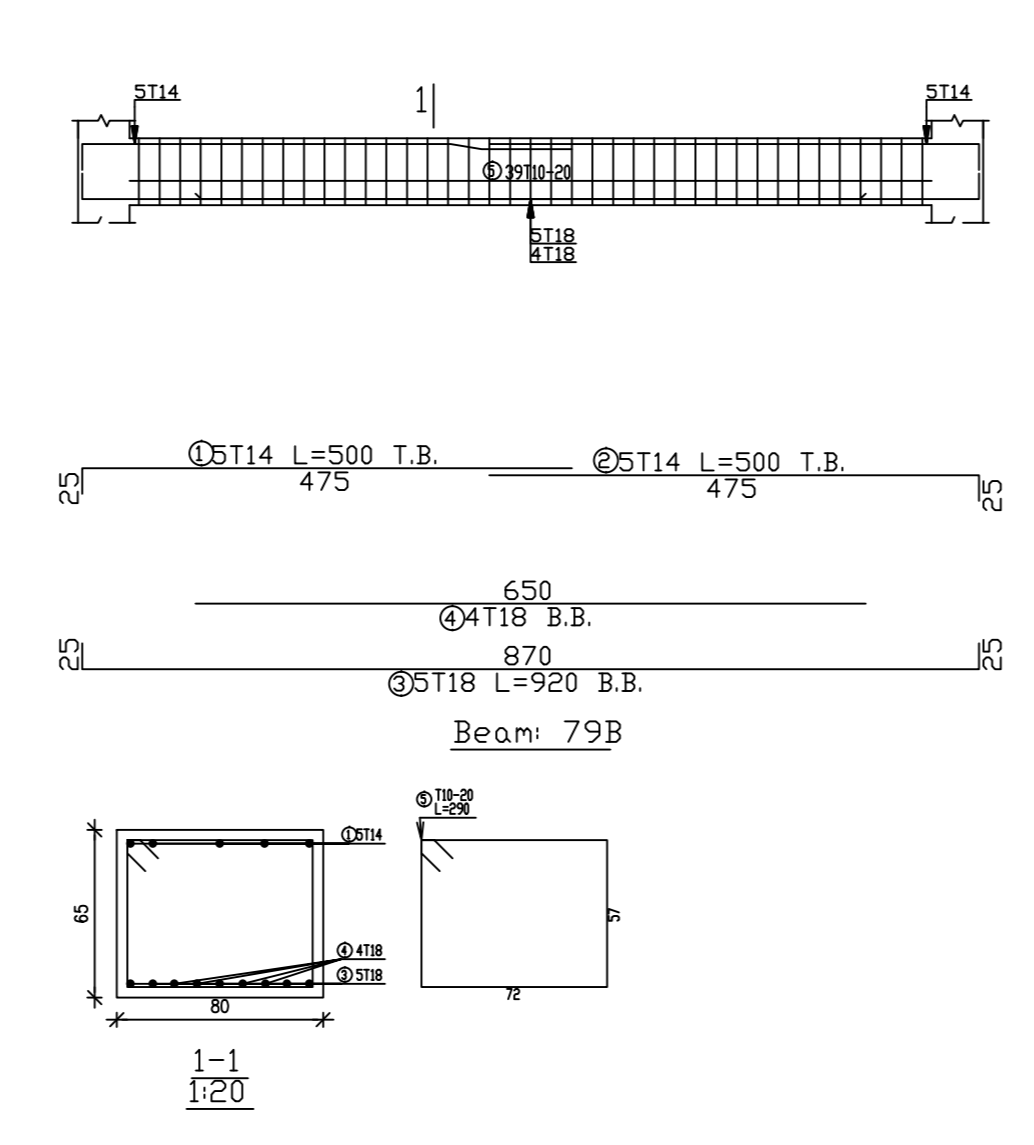
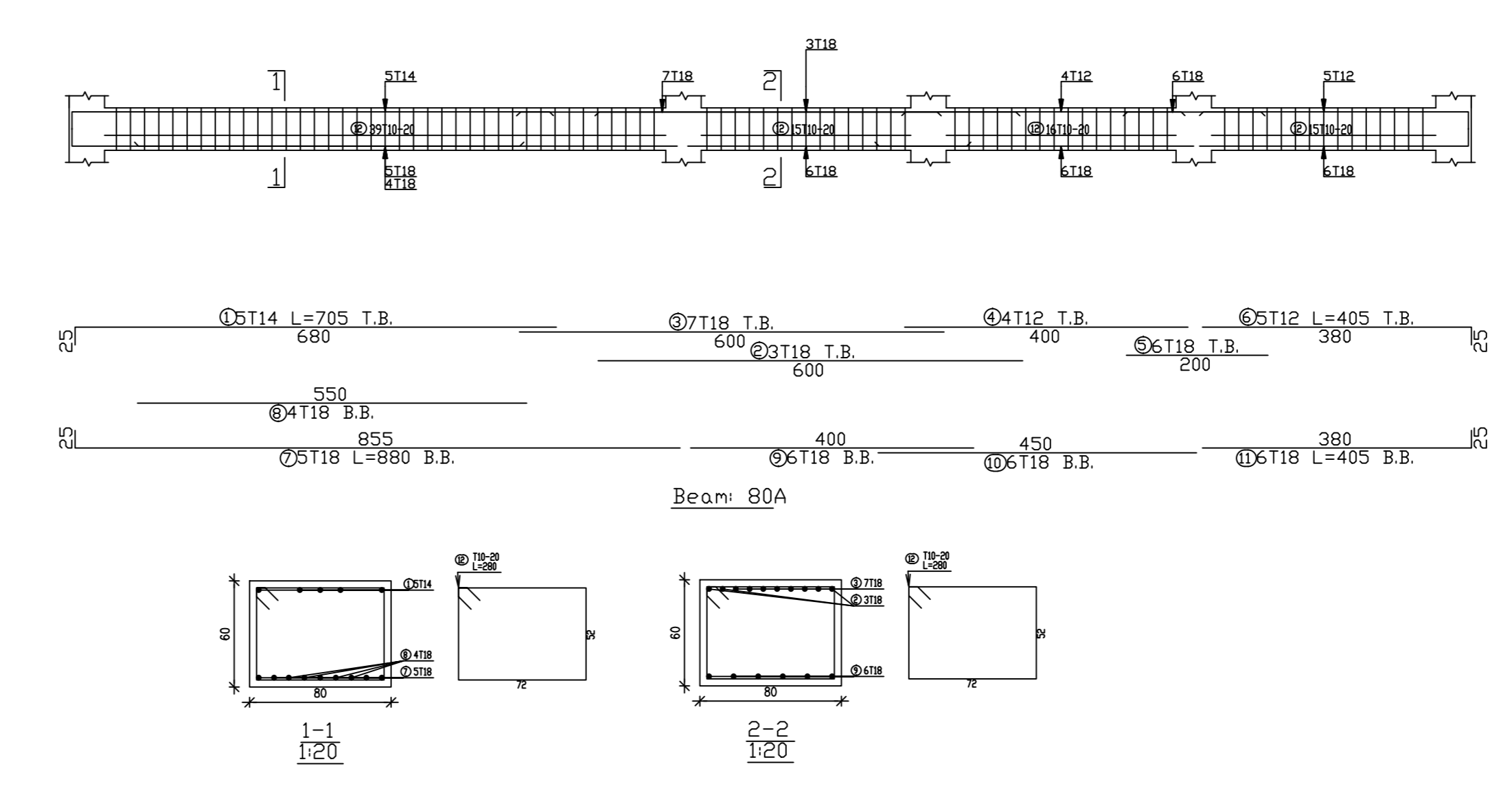
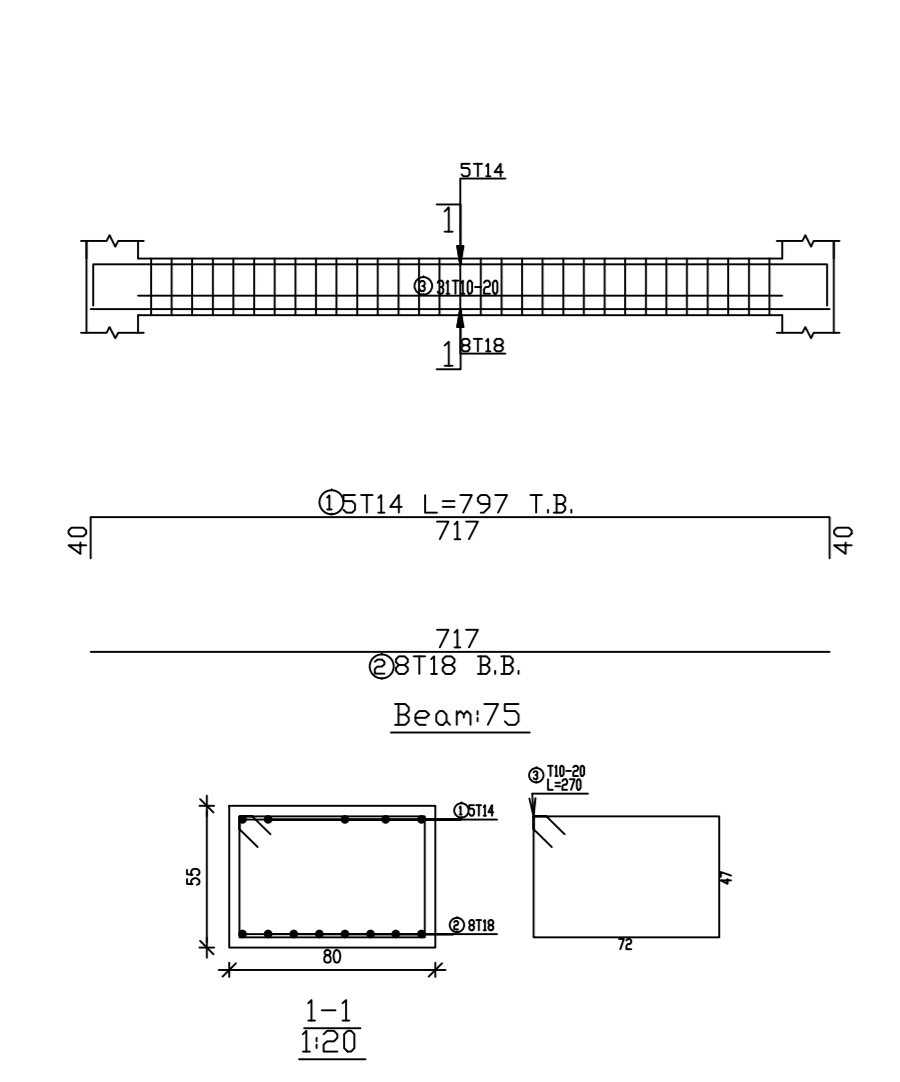
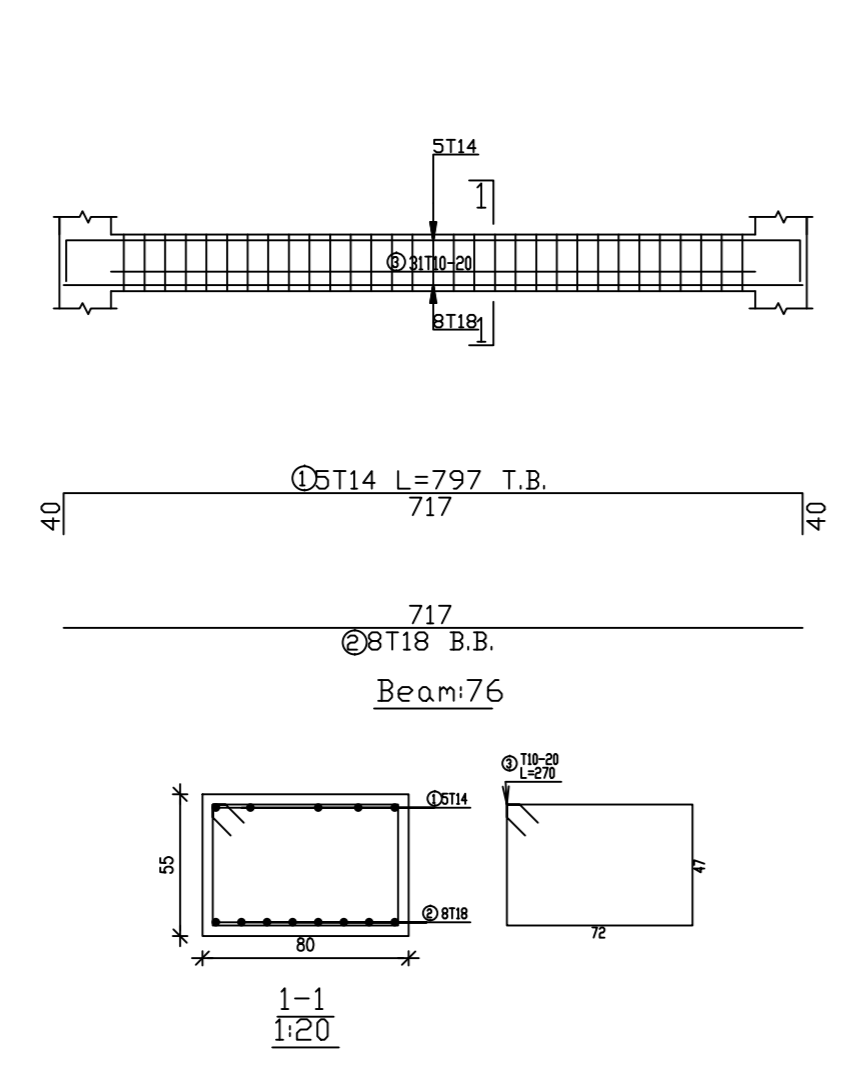
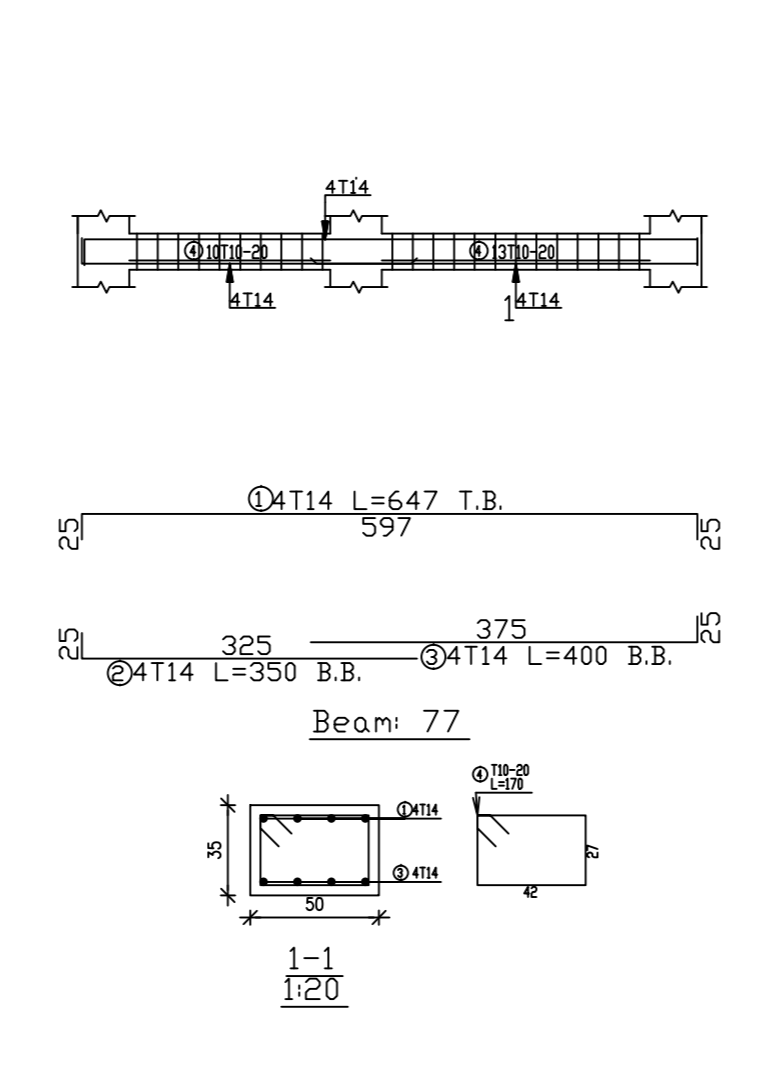
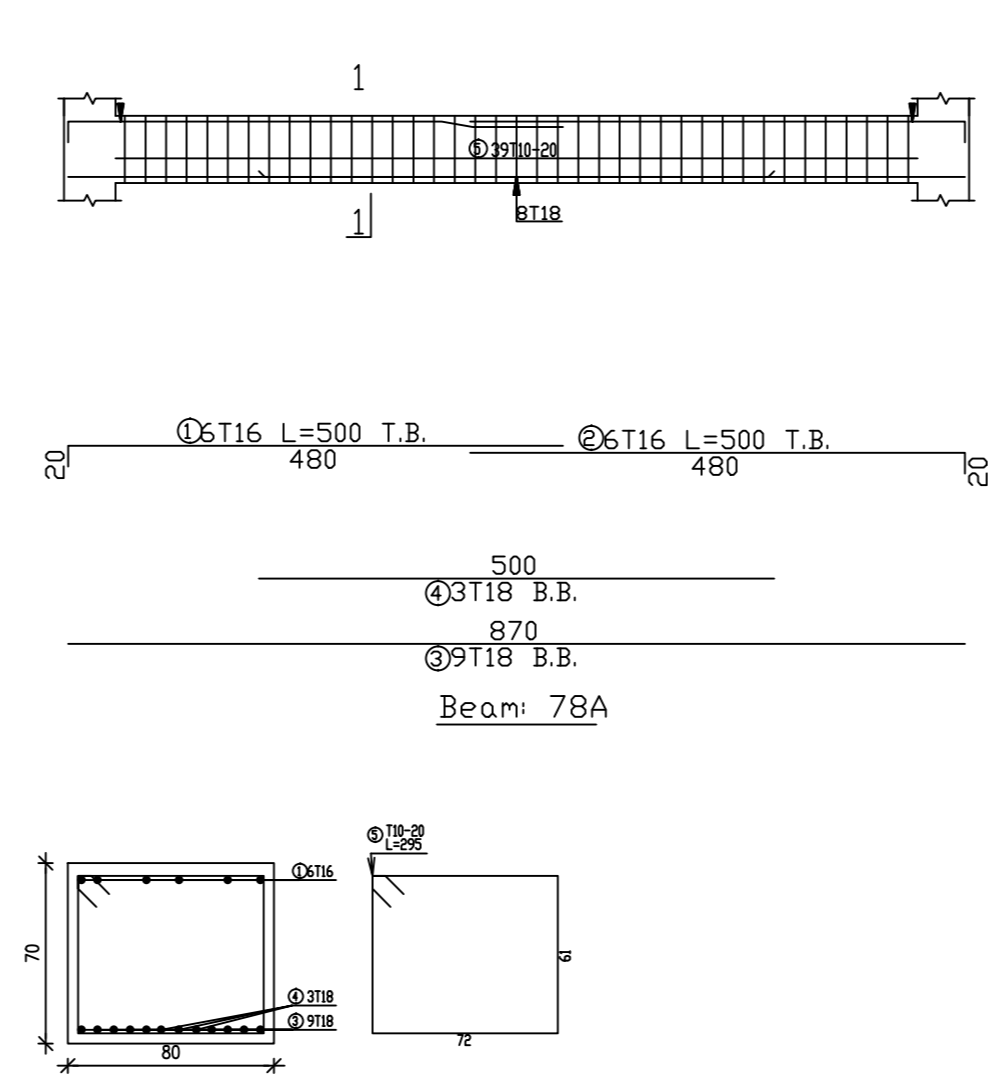
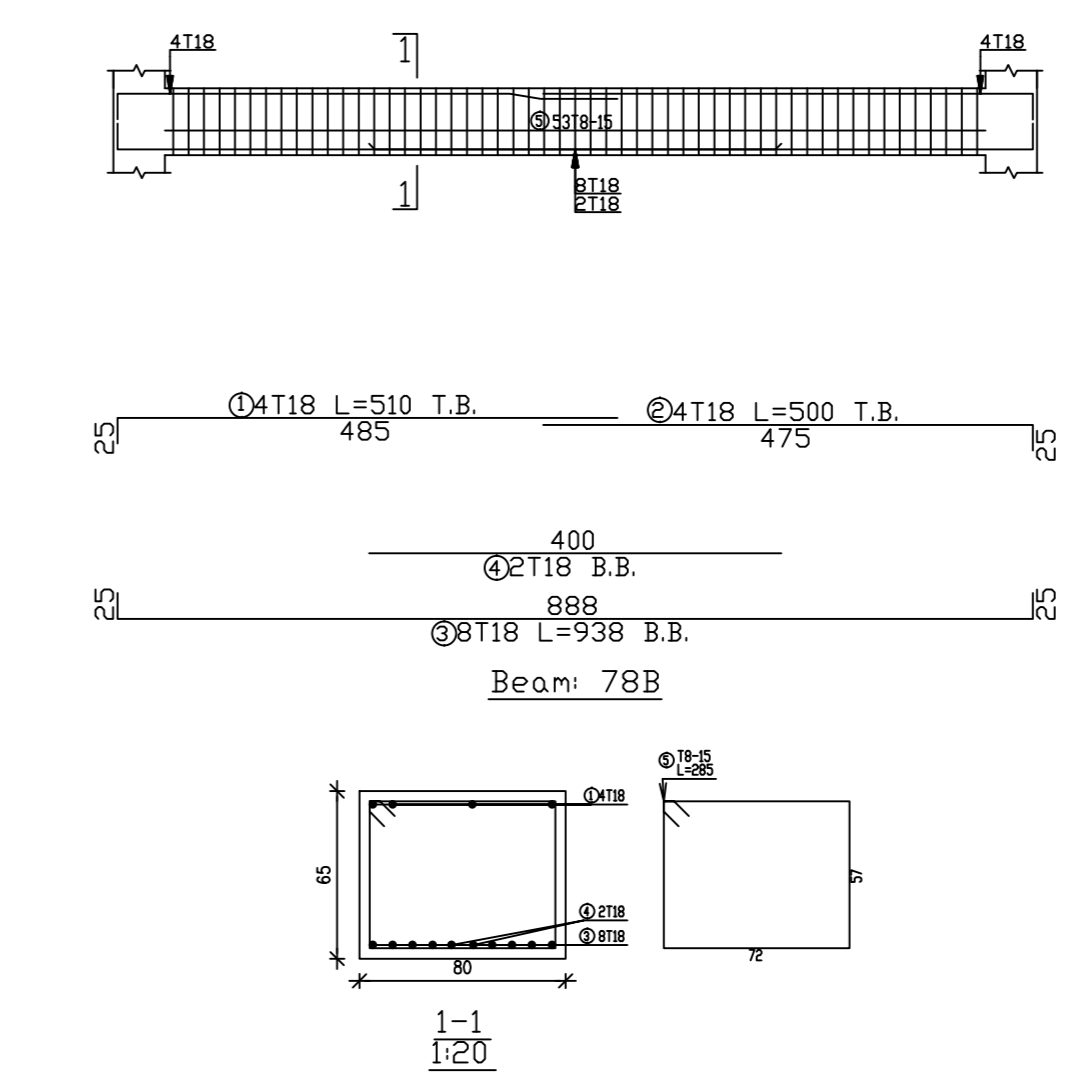
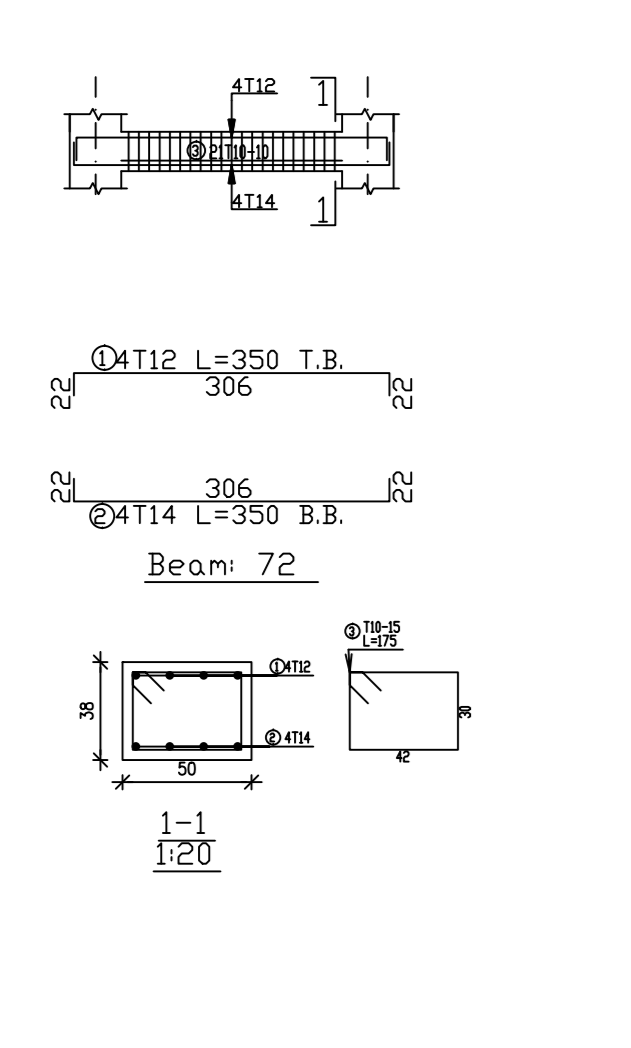
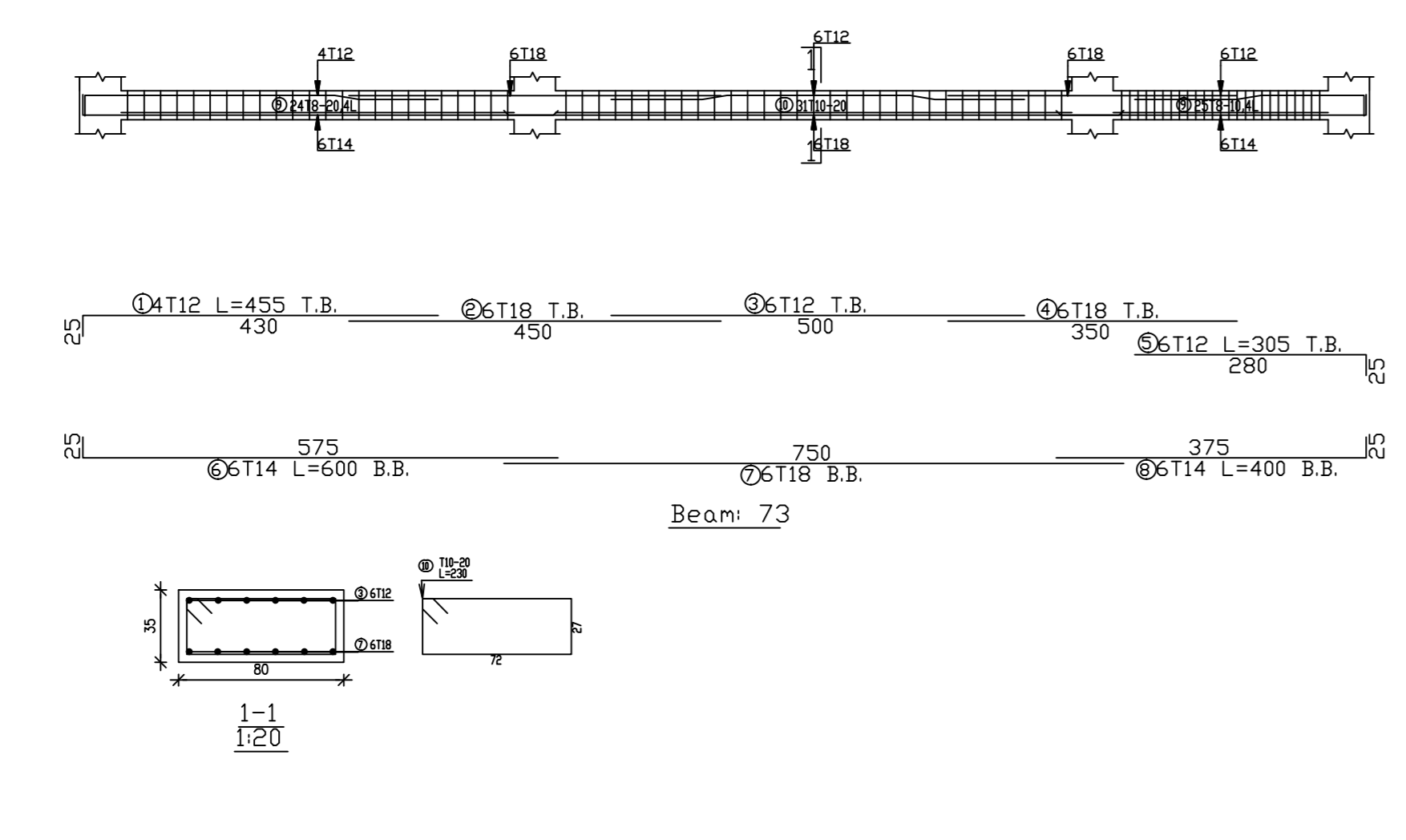
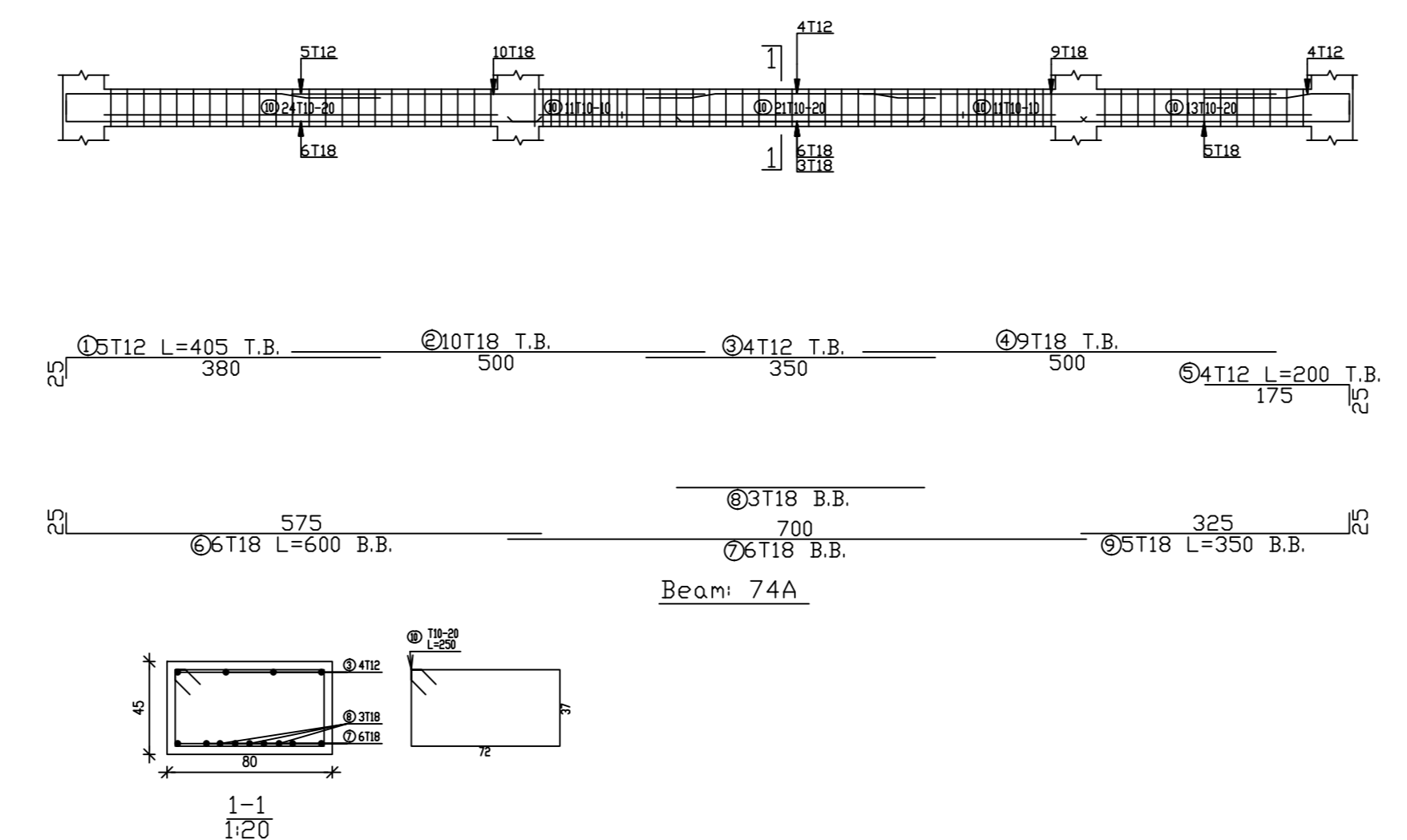
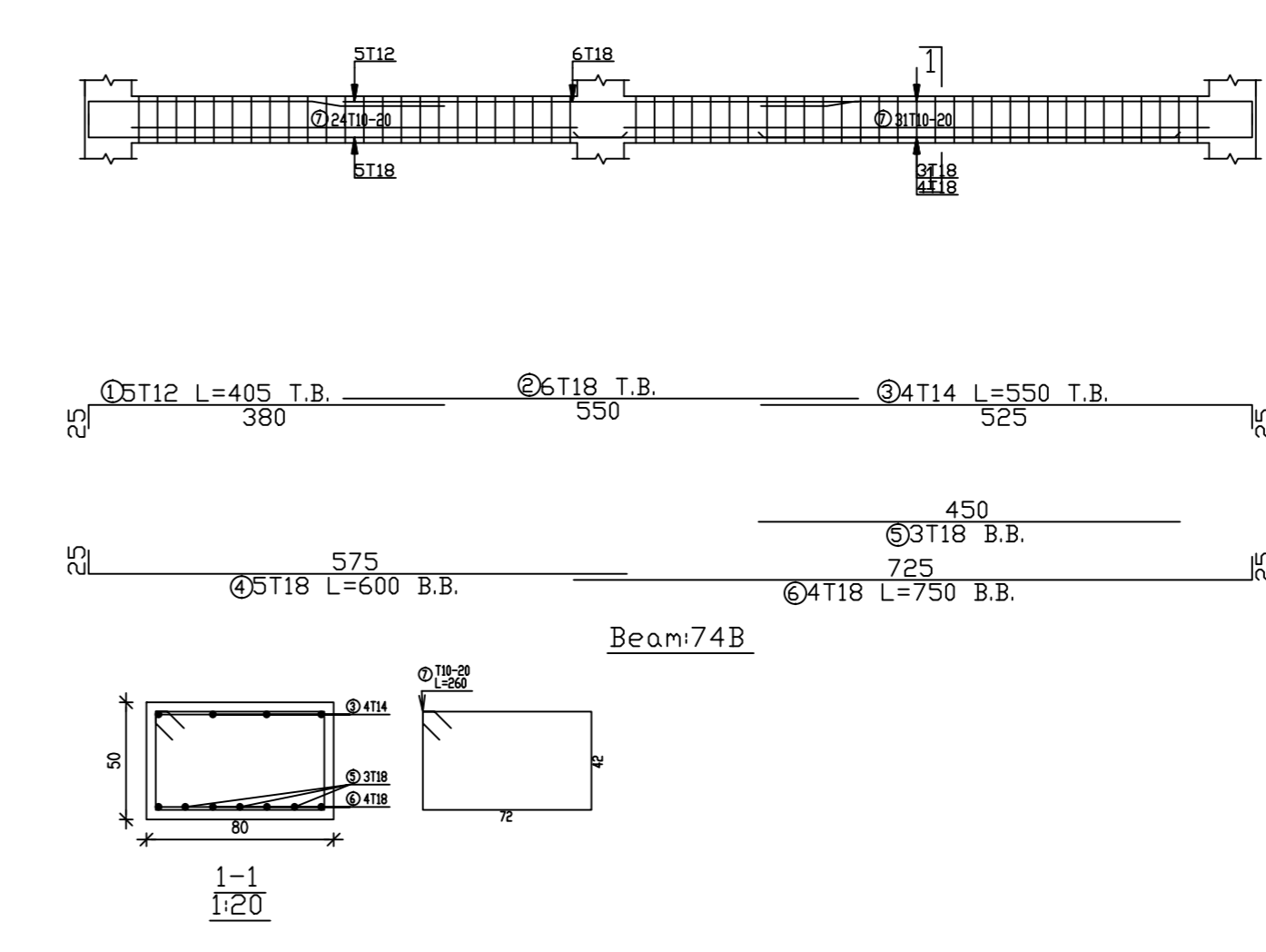
Dr. Nasr Abboushi.

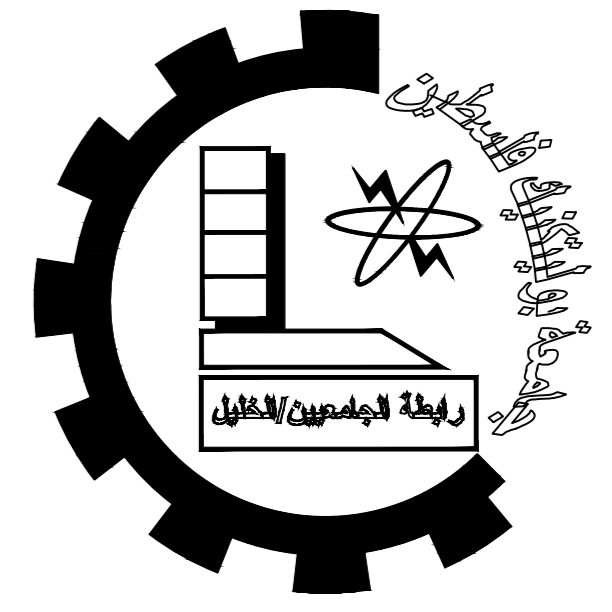
Done by :

Mohammad zareer

Husam Talahmeh

SCALE	No. of DRAW	DATE
1/100	S51	21/01/2024





Palestine Polytechnic University

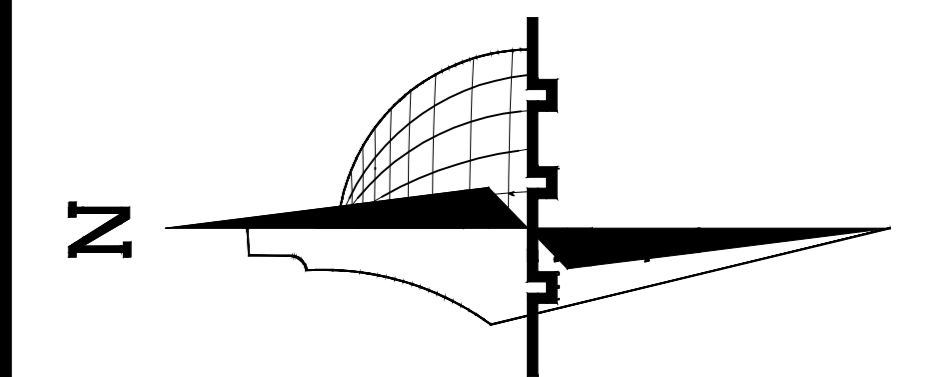
College of Engineering

Civil Engineering Department

Civil Engineering

Graduation Project

Al-Noor Hotel



**Legend :**

- Stone
- R.Concrete
- Concrete
- Hollow Block
- isolating materials
- Gravel
- Wood
- HEXAGONAL TILES
- BAKLAVA TILES
- GRASS

DRAWING TITLE :

Beams Reinforcement

Supervisor

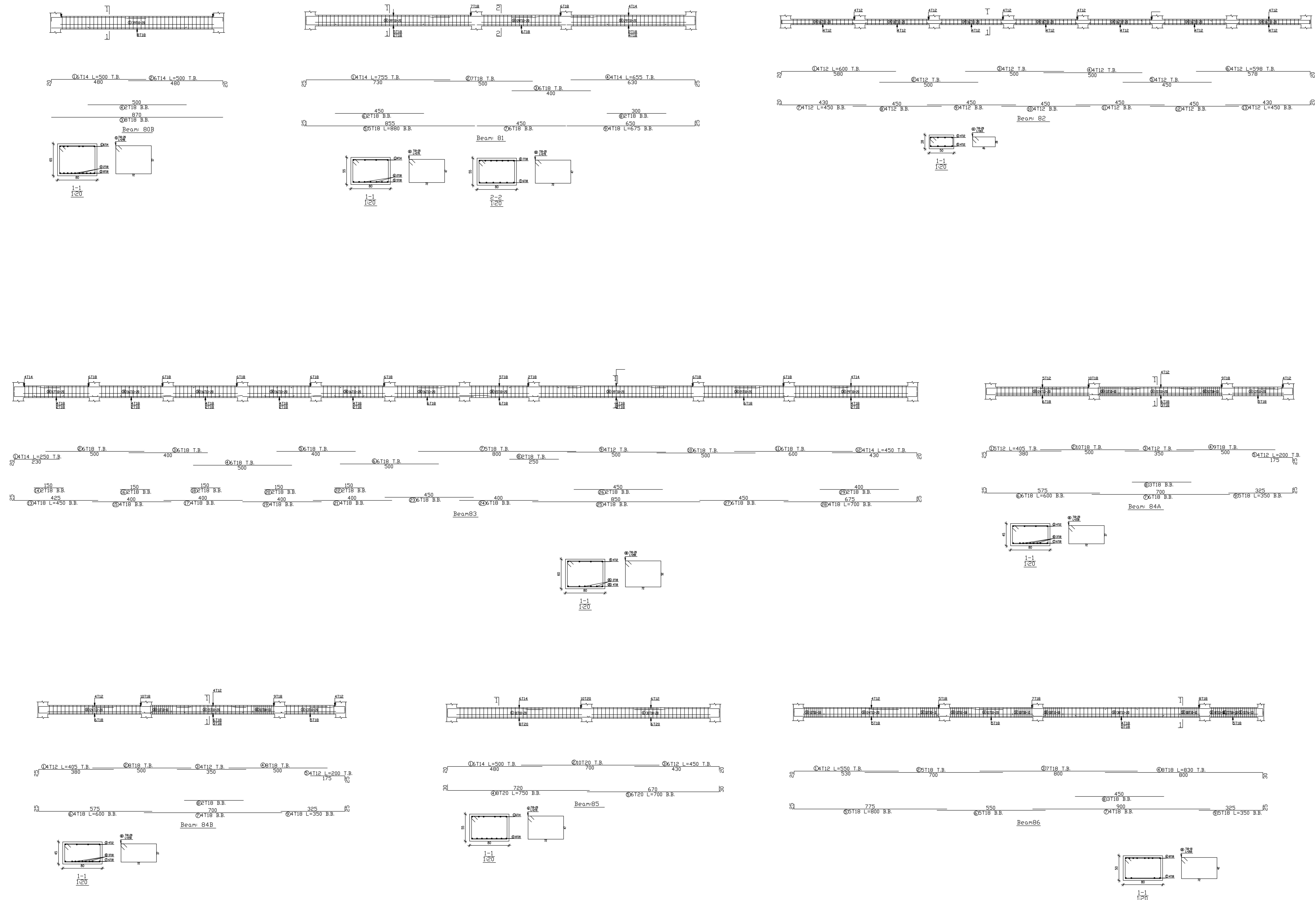
Dr. Nasr Abboushi.

Done by :

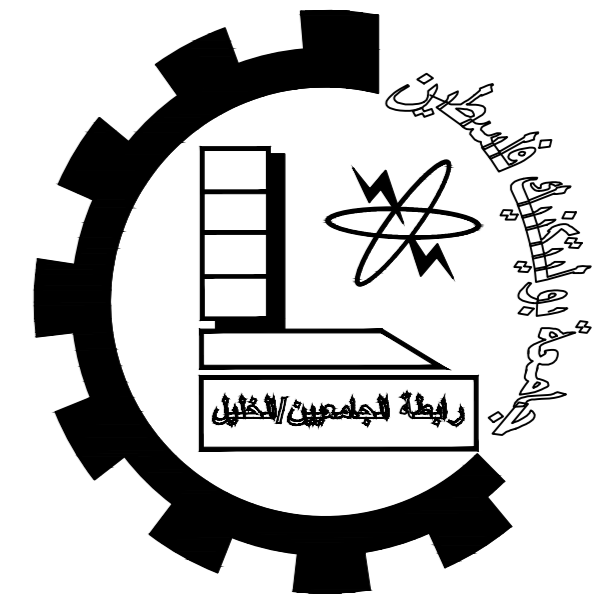
Mohammad zareer

Husam Talahmeh

SCALE	No. of DRAW	DATE
1/100	S52	21/01/2024







Palestine Polytechnic University

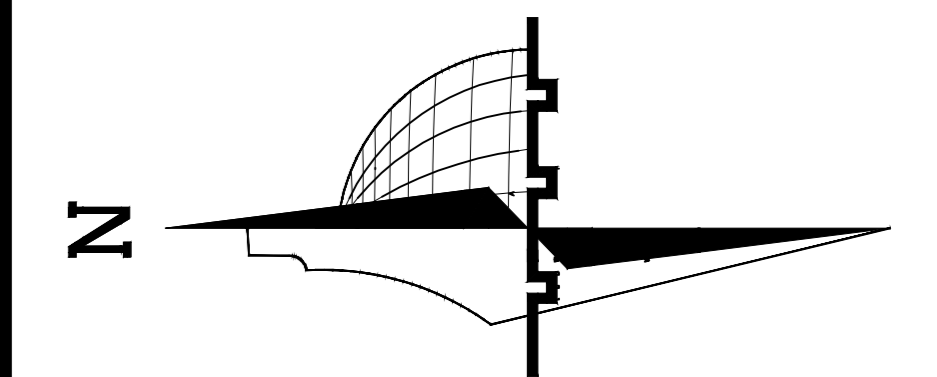
College of Engineering

Civil Engineering Department

Civil Engineering

Graduation Project

Al-Noor Hotel



**Legend :**

- Stone
- R.Concrete
- Concrete
- Hollow Block
- isolating materials
- Gravel
- Wood
- HEXAGONAL TILES
- BAKLAVA TILES
- GRASS

DRAWING TITLE :

Beams Reinforcement

Supervisor

Dr. Nasr Abboushi.

Done by :

Mohammad zareer

Husam Talahmeh

SCALE

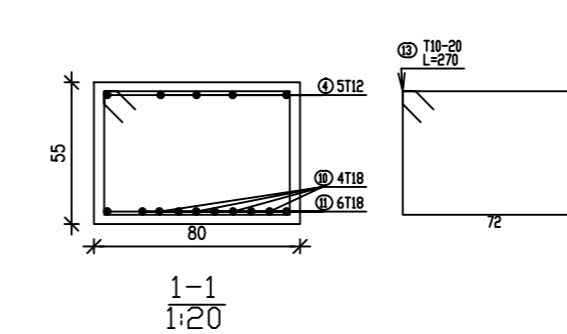
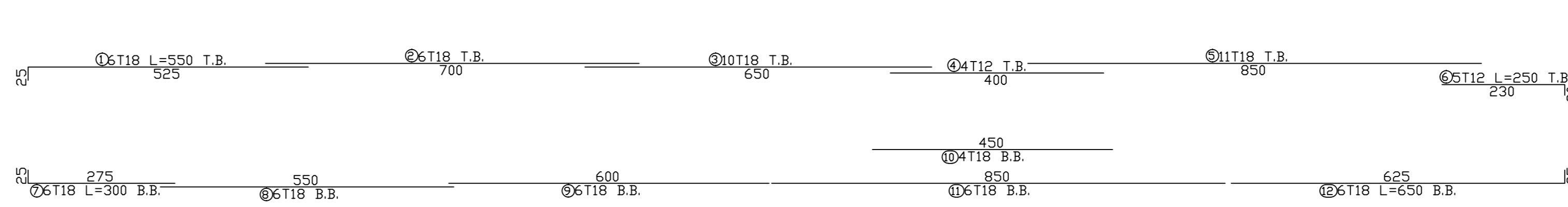
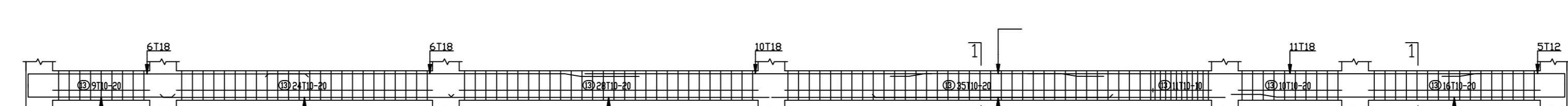
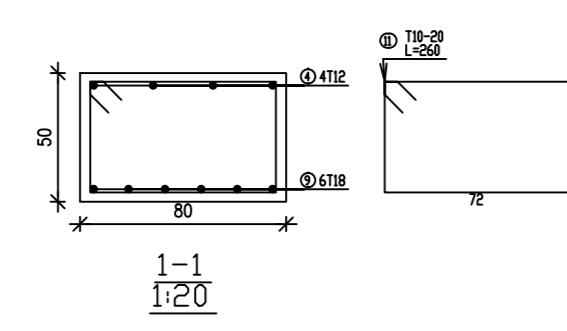
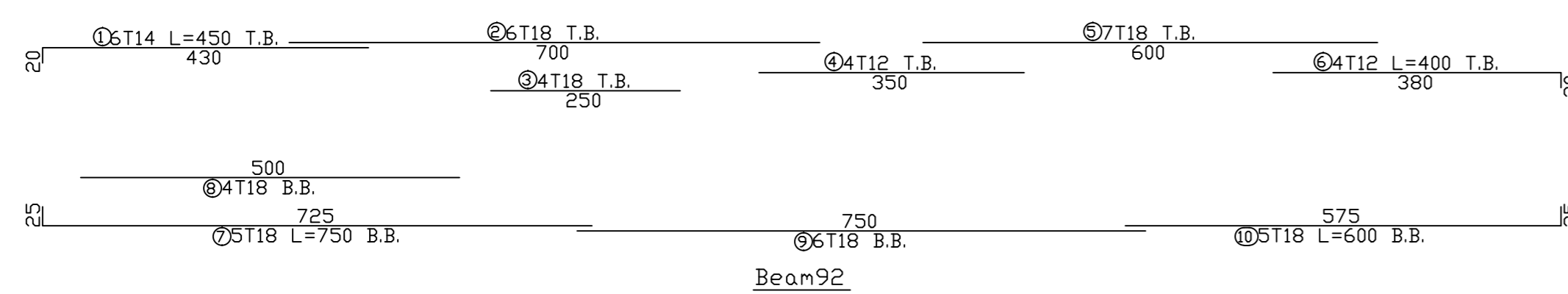
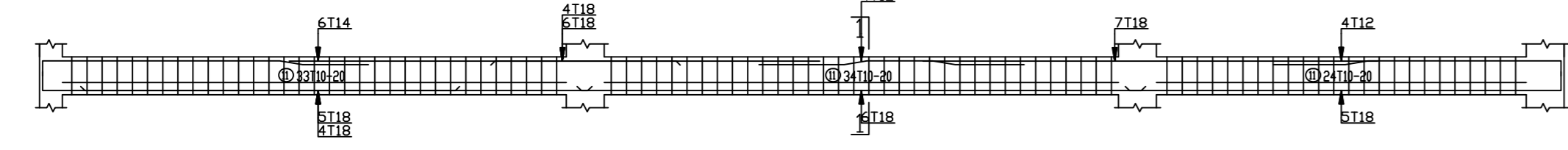
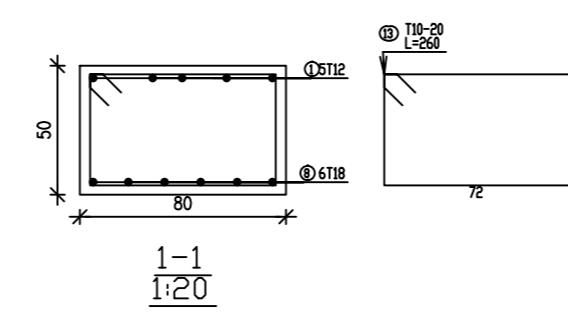
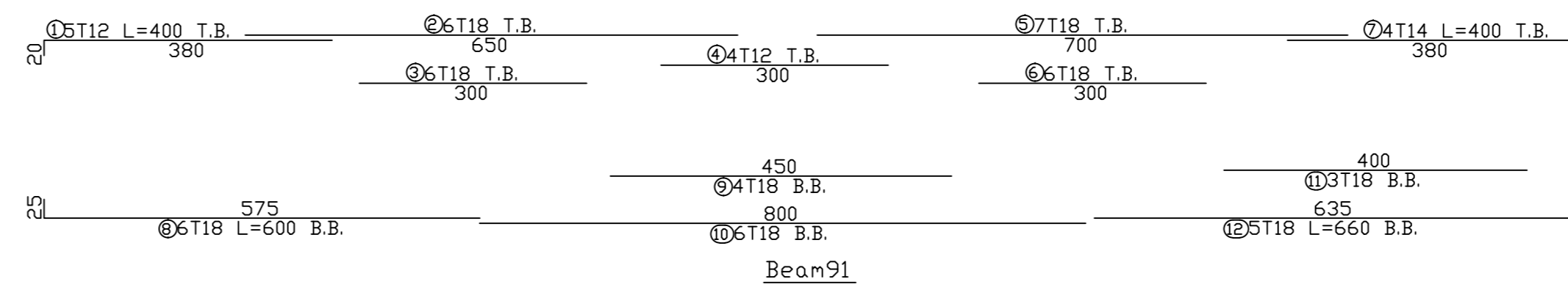
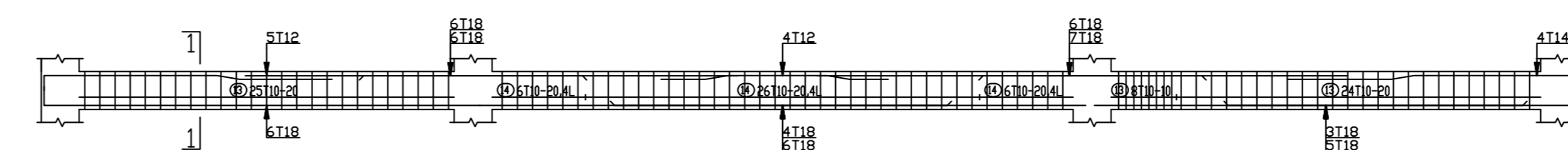
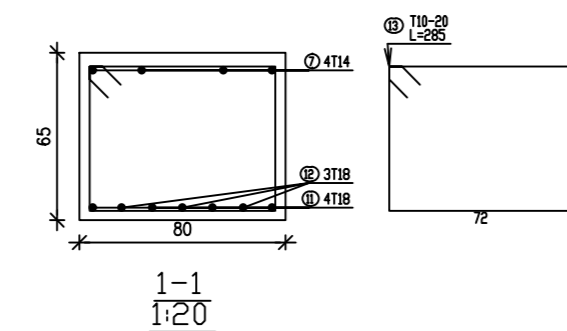
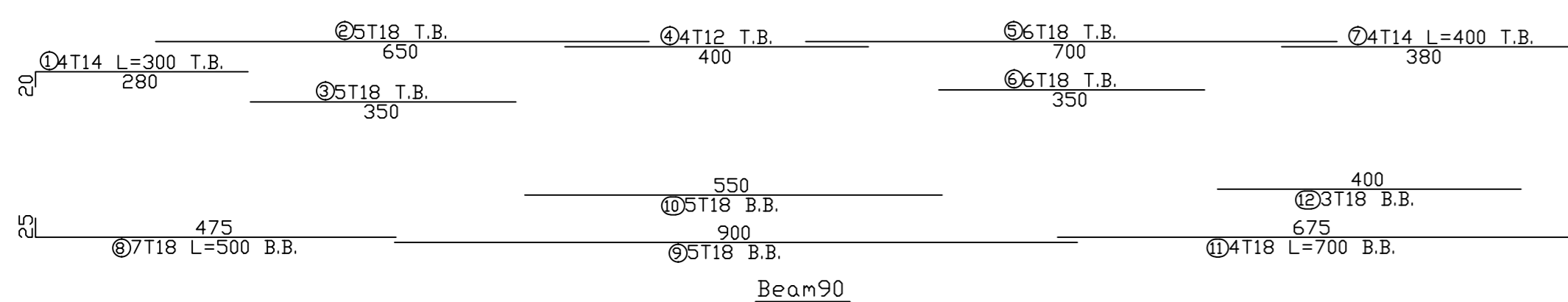
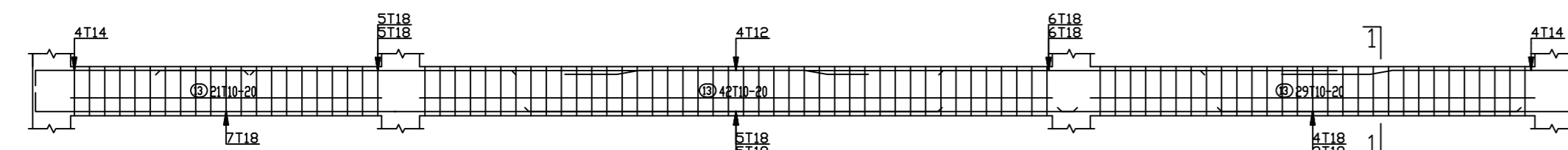
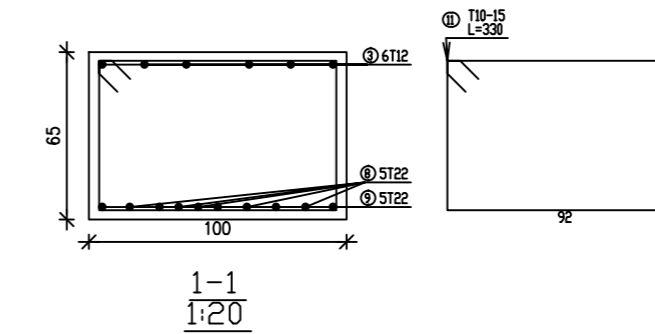
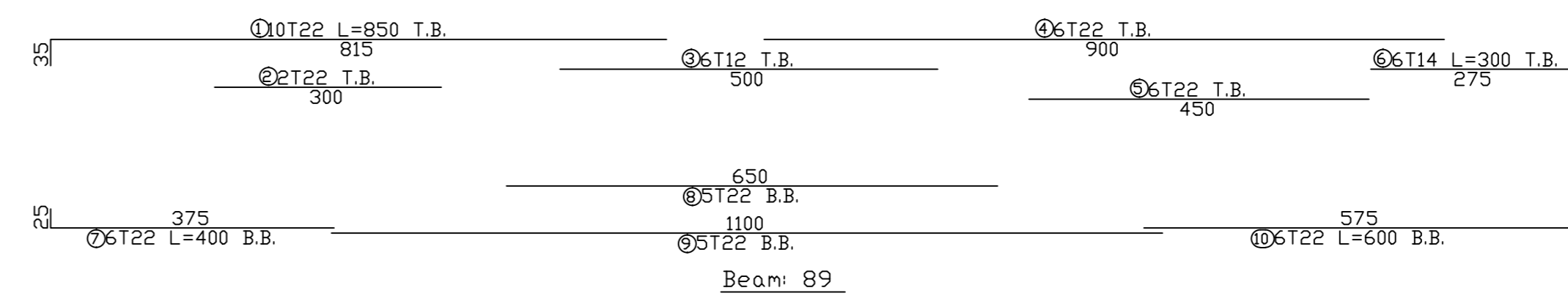
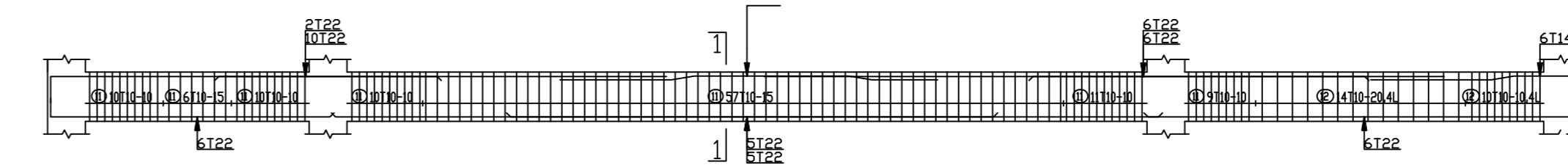
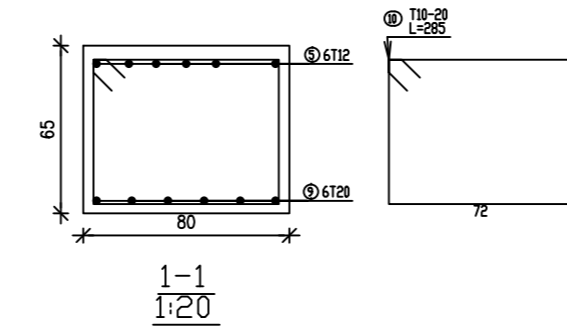
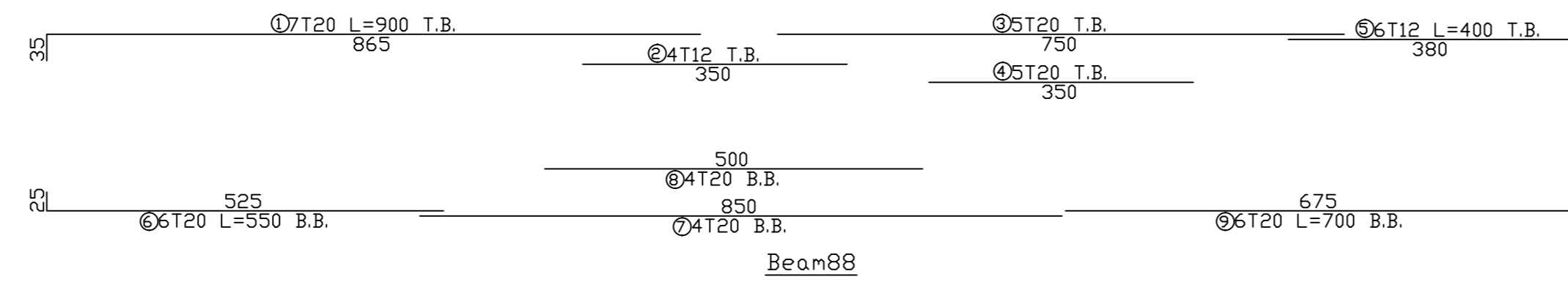
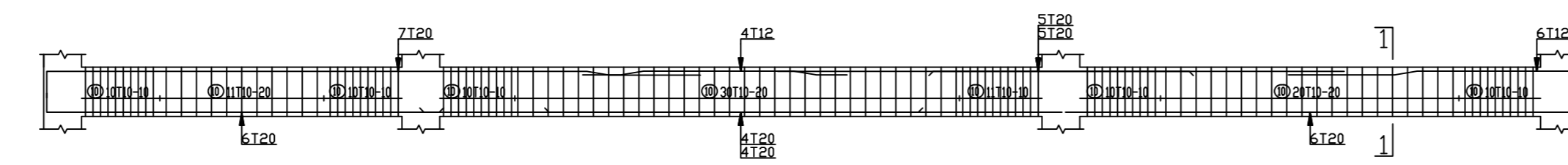
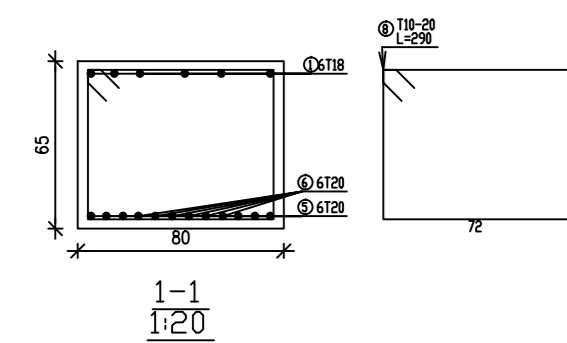
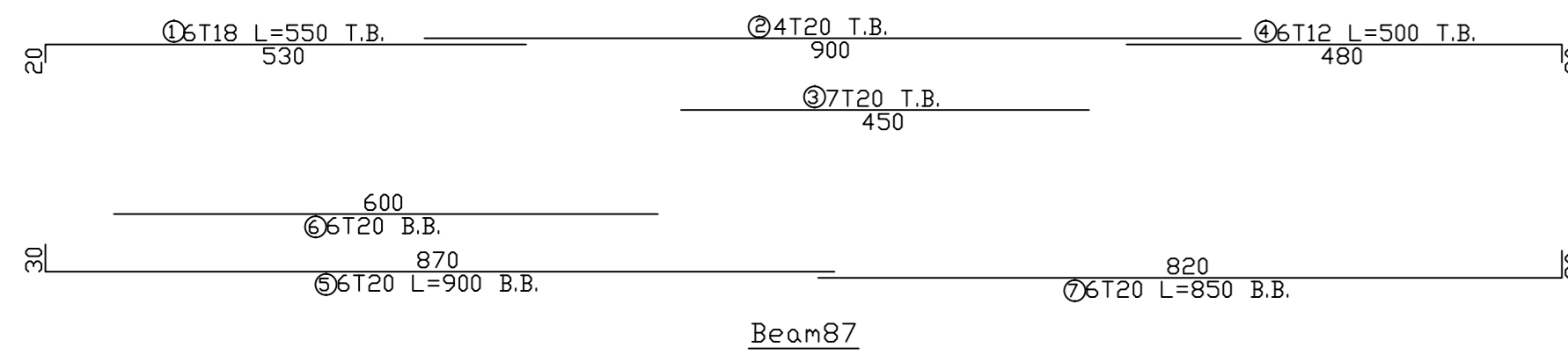
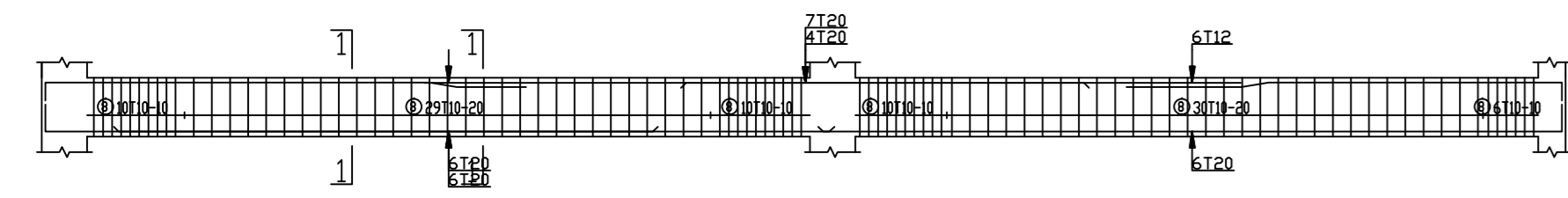
No. of  
DRAW

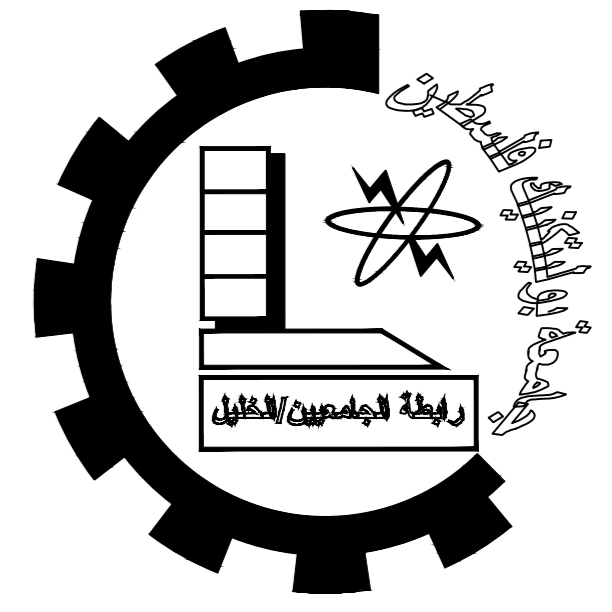
DATE

1/100

S53

21/01/2024





Palestine Polytechnic University

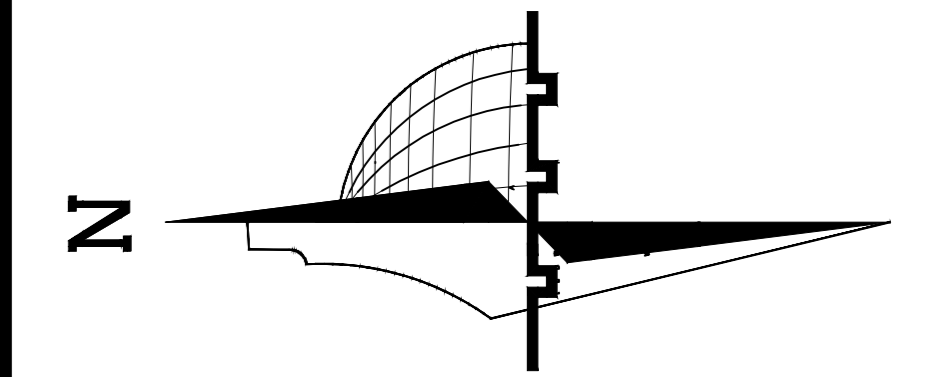
College of Engineering

Civil Engineering Department

Civil Engineering

Graduation Project

Al-Noor Hotel



**Legend :**

- Stone
- R.Concrete
- Concrete
- Hollow Block
- isolating materials
- Gravel
- Wood
- HEXAGONAL TILES
- BAKLAVA TILES
- GRASS

DRAWING TITLE :

Beams Reinforcement

Supervisor

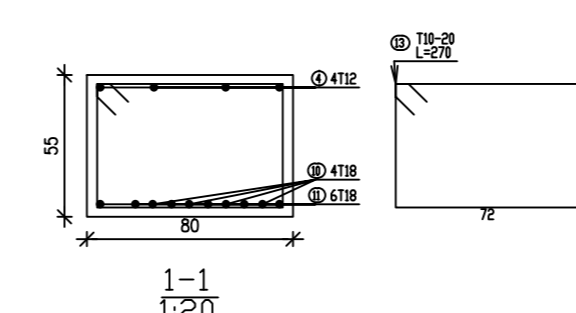
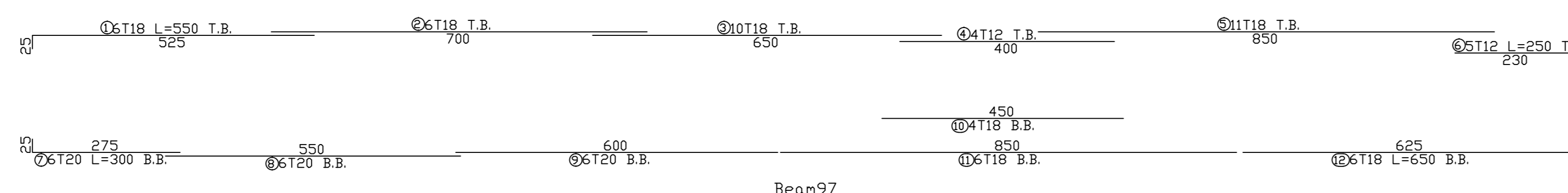
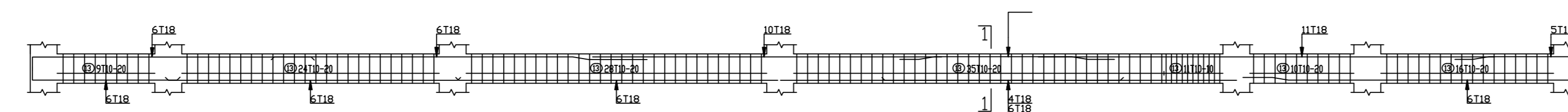
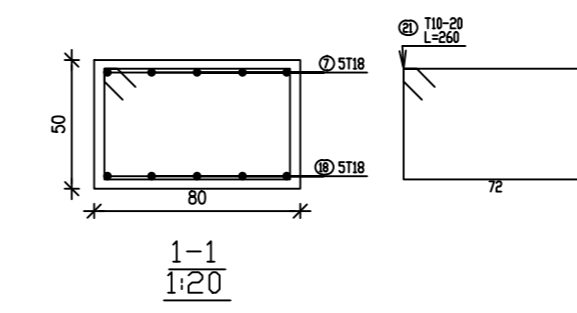
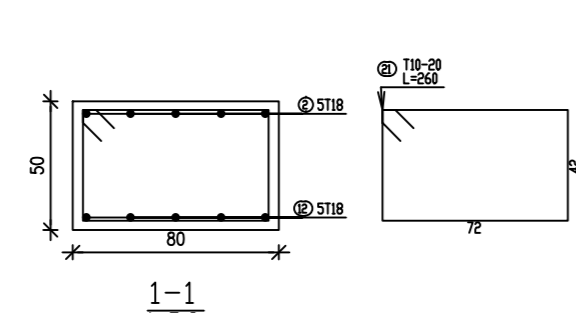
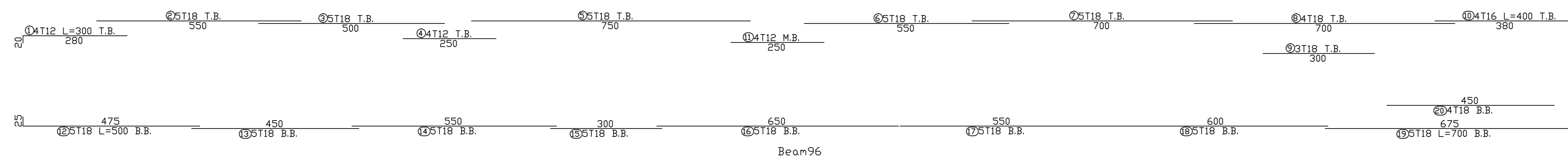
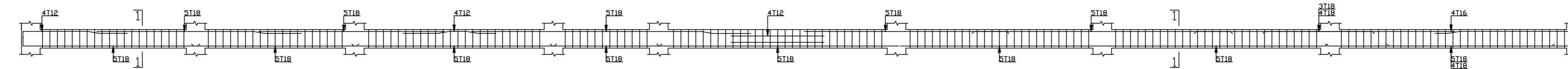
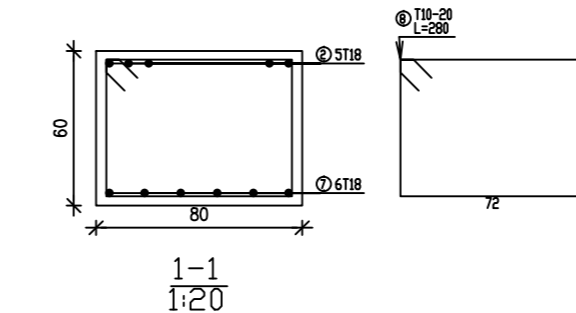
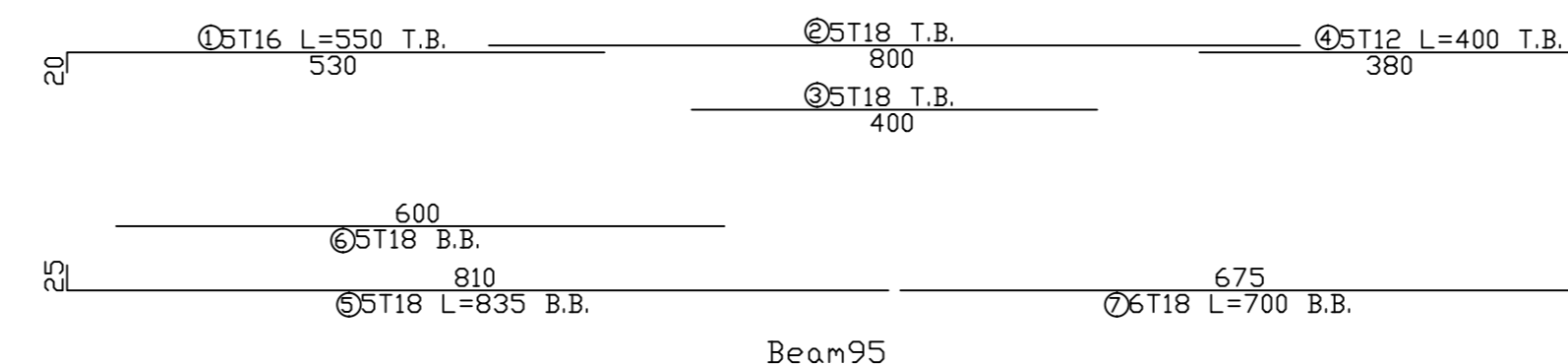
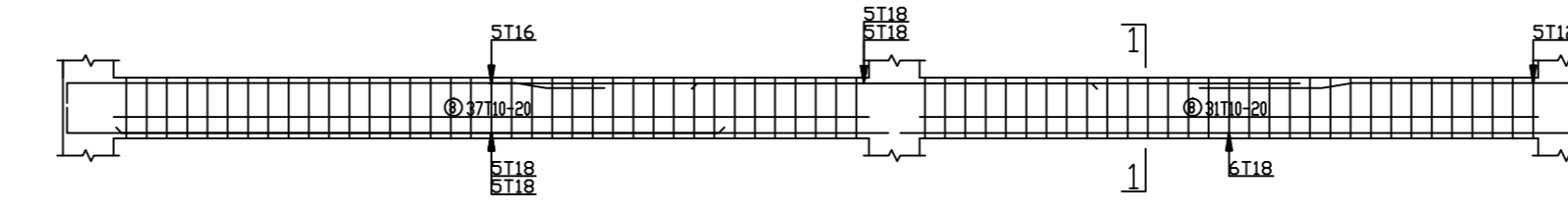
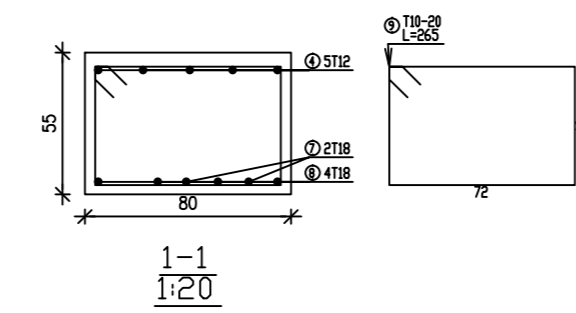
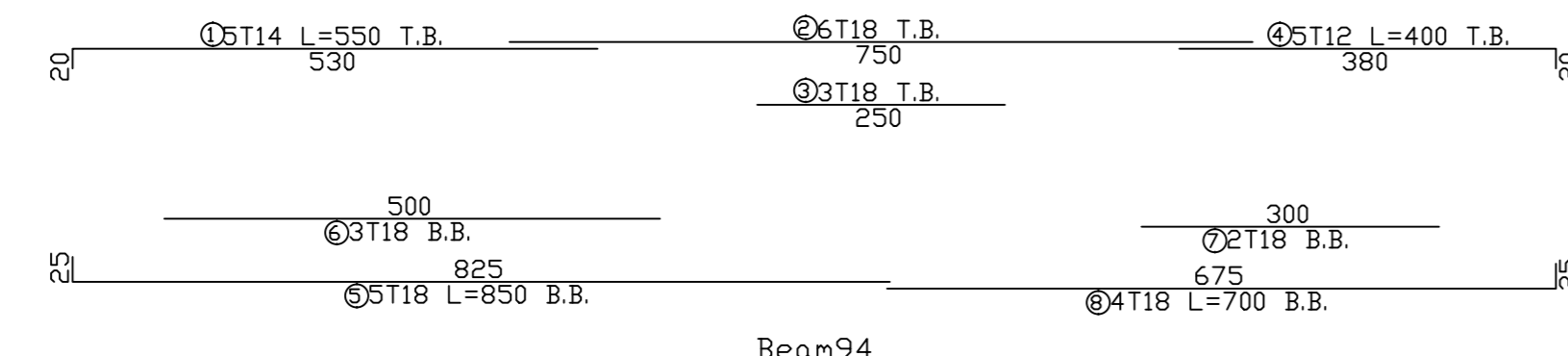
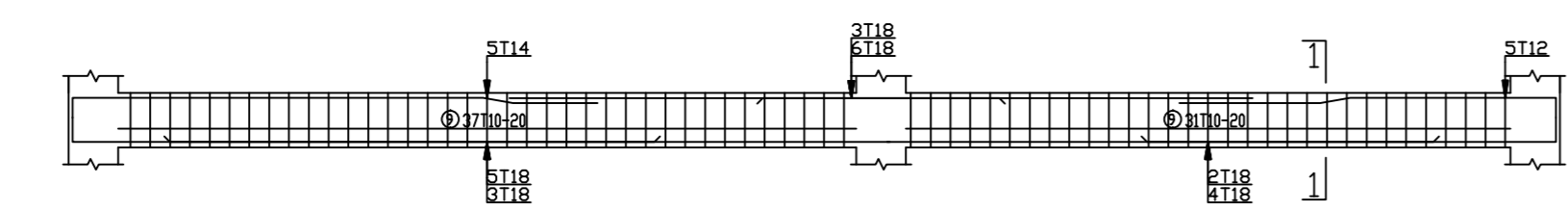
Dr. Nasr Abboushi.

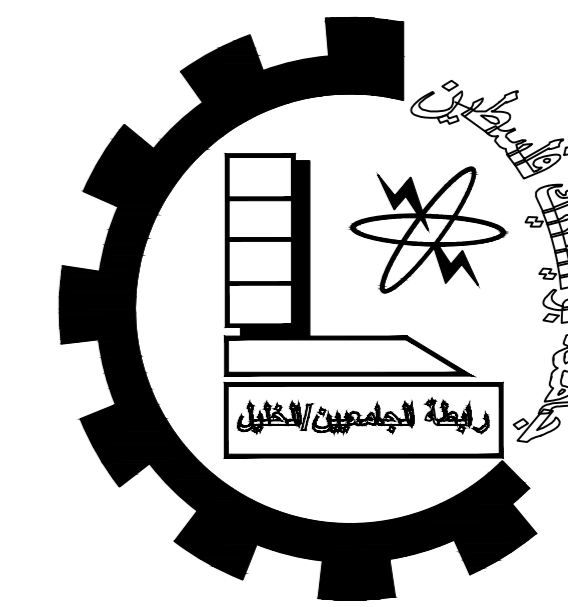
Done by :

Mohammad zareer

Husam Talahmeh

SCALE	No. of DRAW	DATE
1/100	S54	21/01/2024





Palestine Polytechnic University

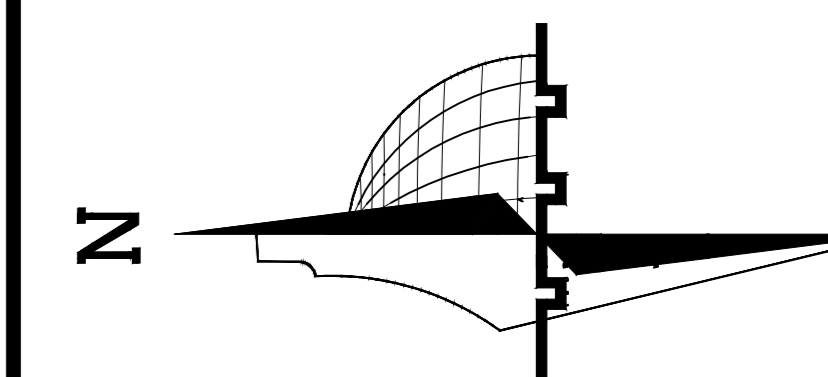
College of Engineering

Civil Engineering Department

Civil Engineering

Graduation Project

Al-Noor Hotel



**Legend :**

- Stone
- R.Concrete
- Concrete
- Hollow Block
- isolating materials
- Gravel
- Wood
- HEXAGONAL TILES
- BAKLAVA TILES
- GRASS

DRAWING TITLE :

Beams Reinforcement

Supervisor

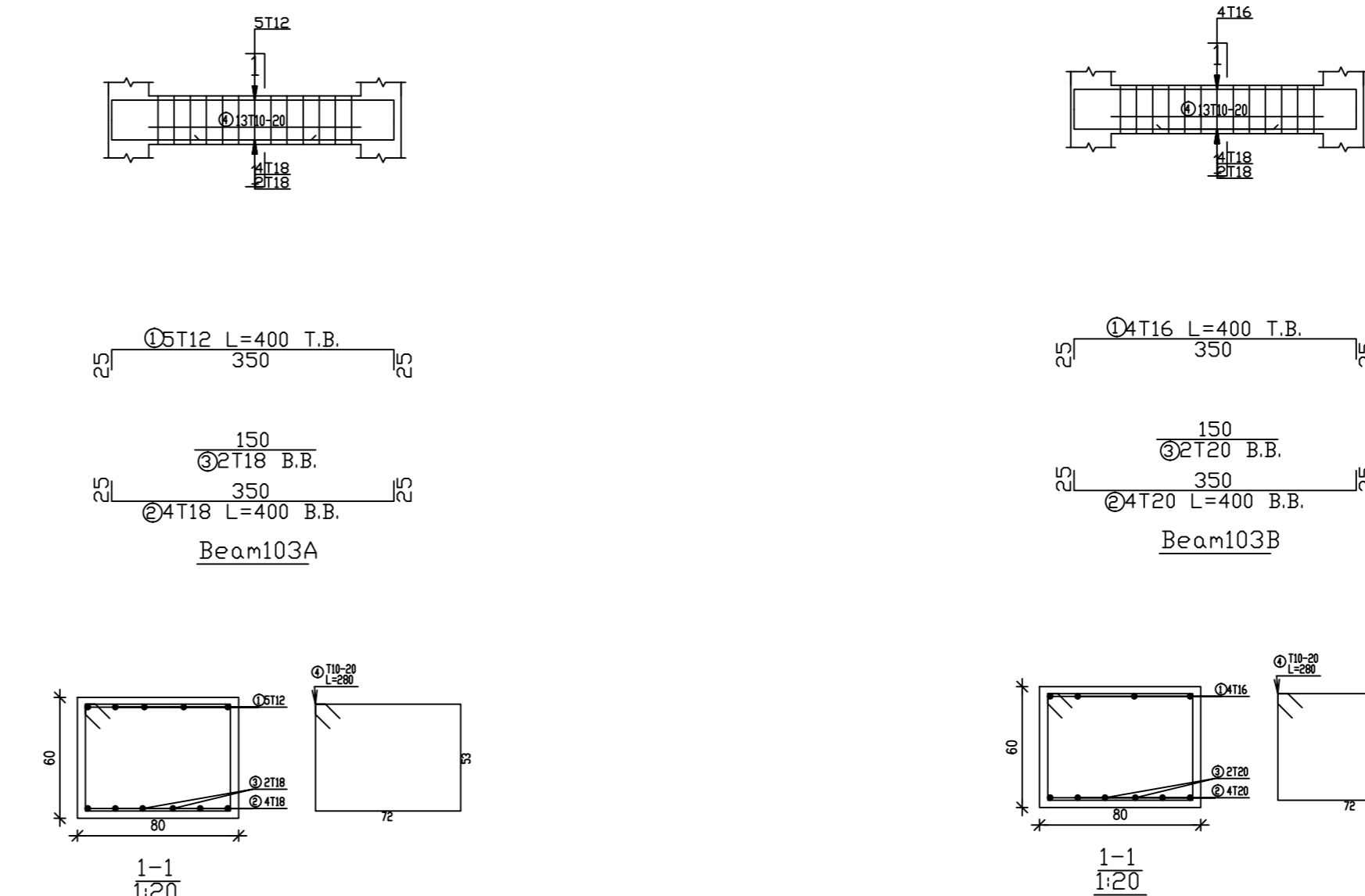
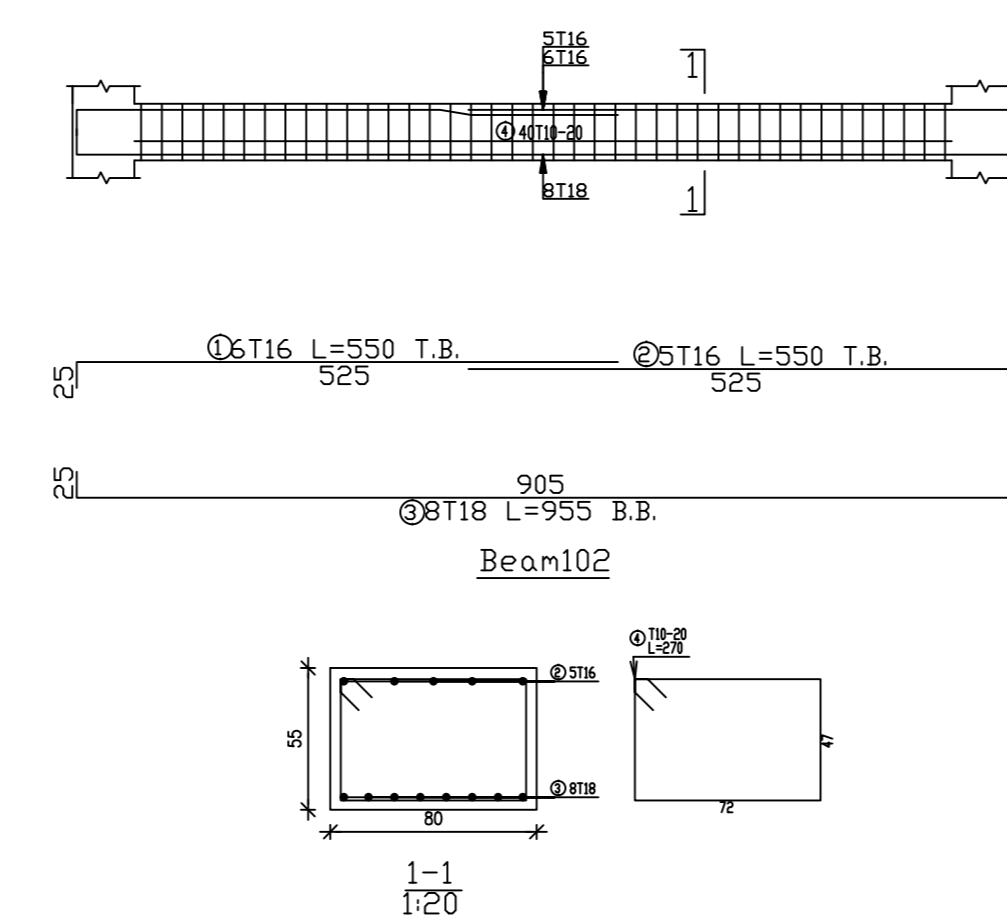
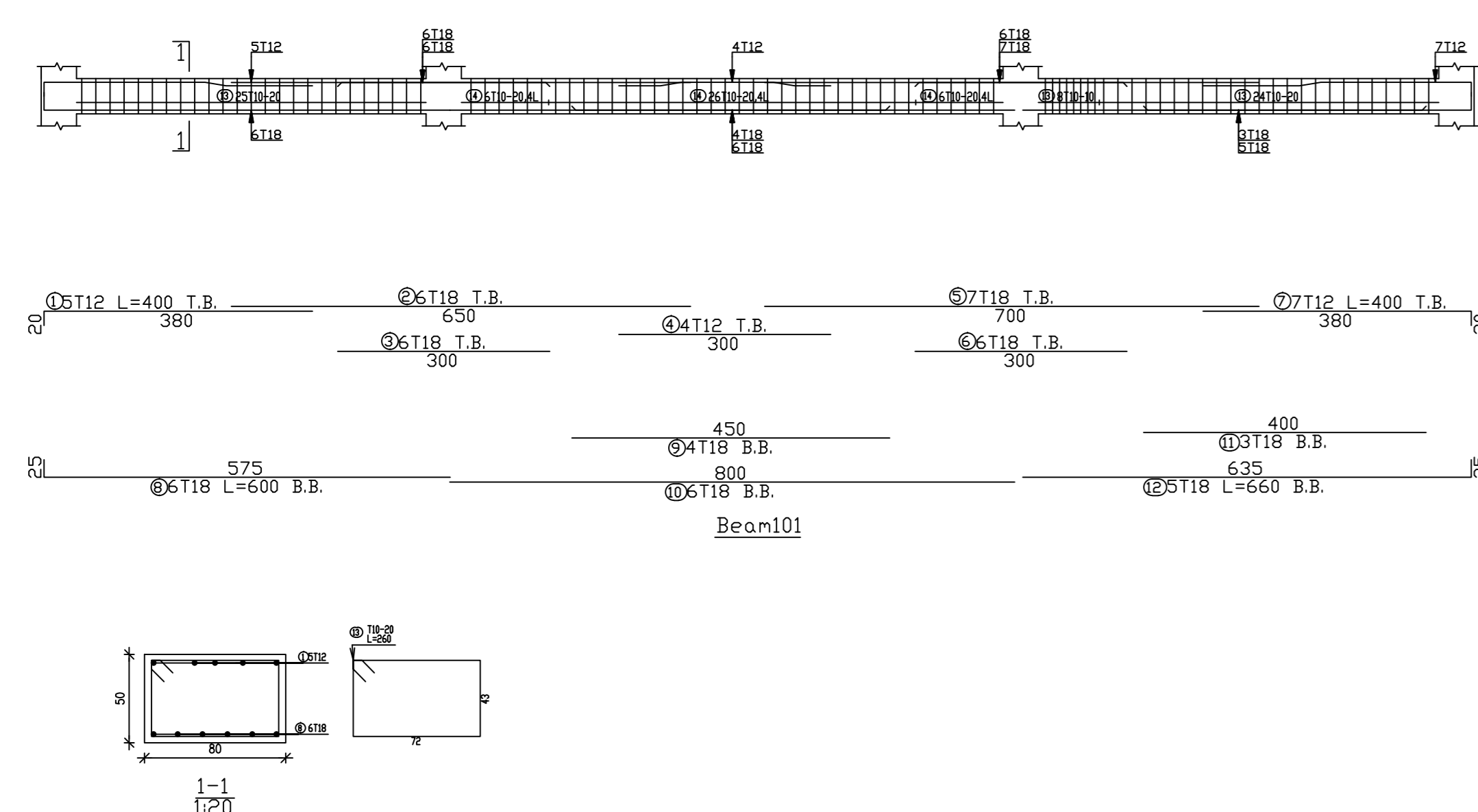
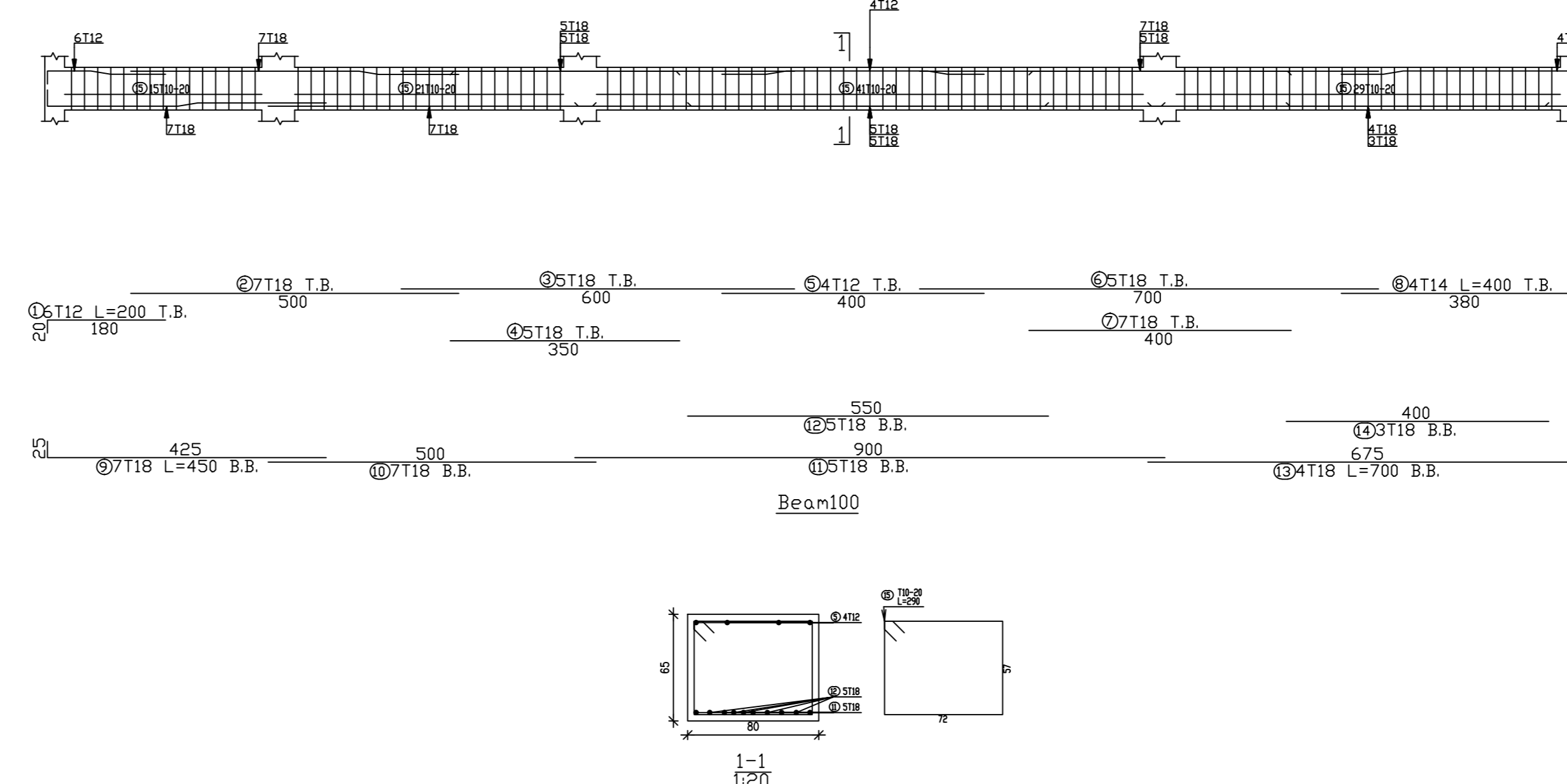
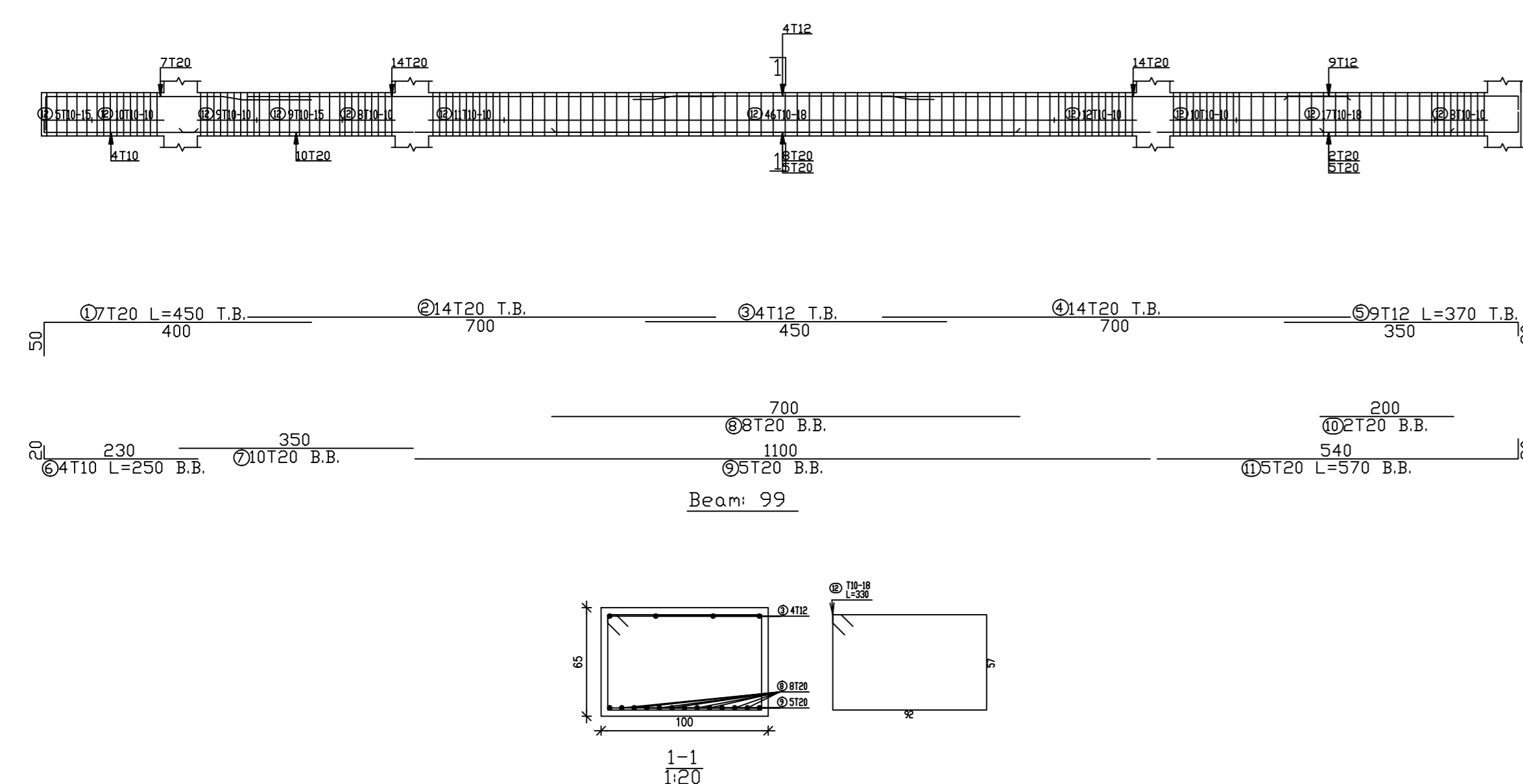
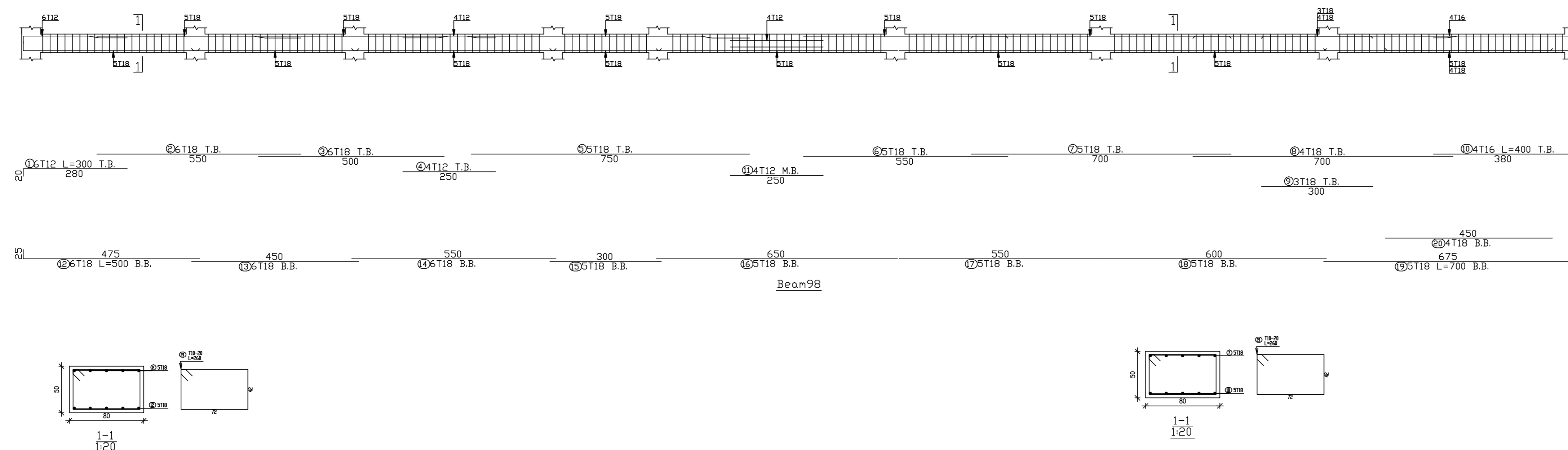
Dr. Nasr Abboushi.

Done by :

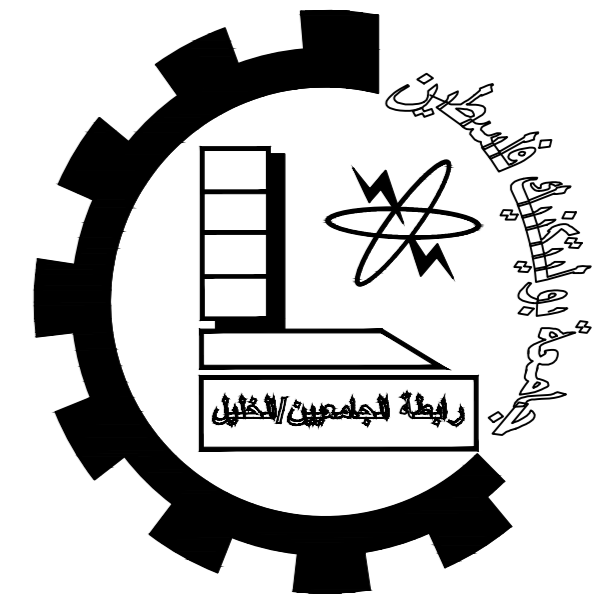
Mohammad zareer

Husam Talahmeh

SCALE	No. of DRAW	DATE
1/100	S55	21/01/2024







Palestine Polytechnic University

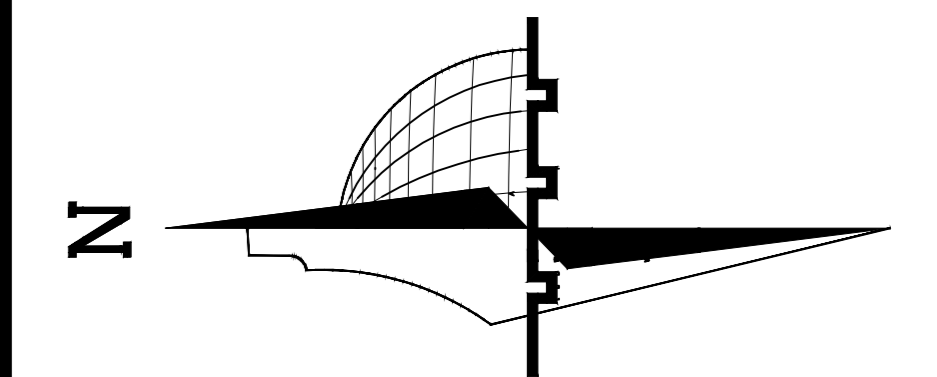
College of Engineering

Civil Engineering Department

Civil Engineering

Graduation Project

Al-Noor Hotel



**Legend :**

- Stone
- R.Concrete
- Concrete
- Hollow Block
- Isolating materials
- Gravel
- Wood
- HEXAGONAL TILES
- BAKLAVA TILES
- GRASS

DRAWING TITLE :

Beams Reinforcement

Supervisor

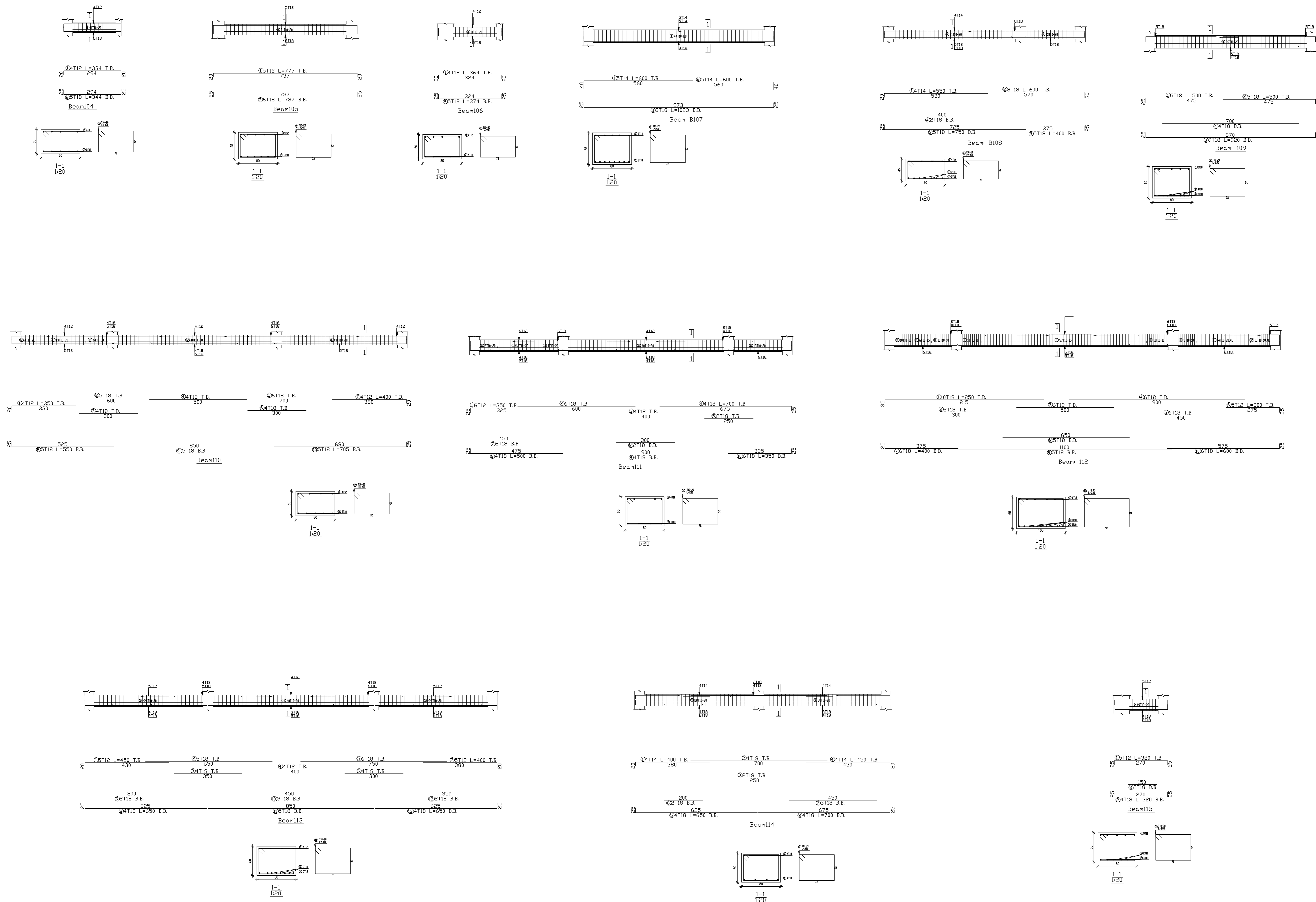
Dr. Nasr Abboushi.

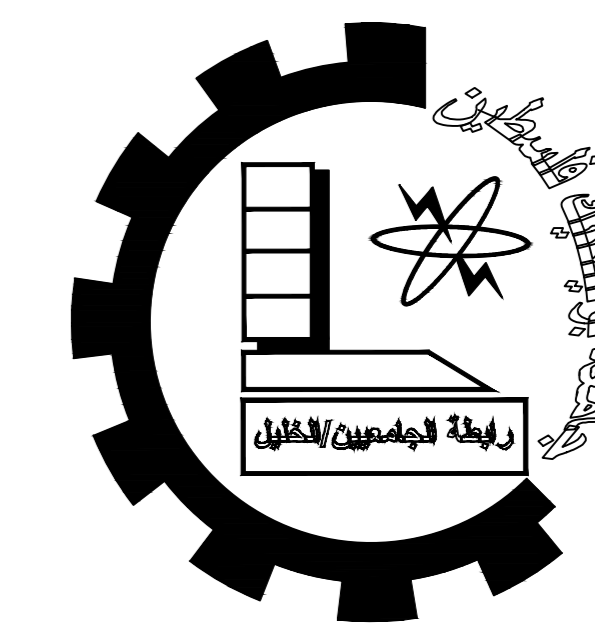
Done by :

Mohammad zareer

Husam Talahmeh

SCALE	No. of DRAW	DATE
1/100	S56	21/01/2024





Palestine Polytechnic University

College of Engineering

Civil Engineering Department

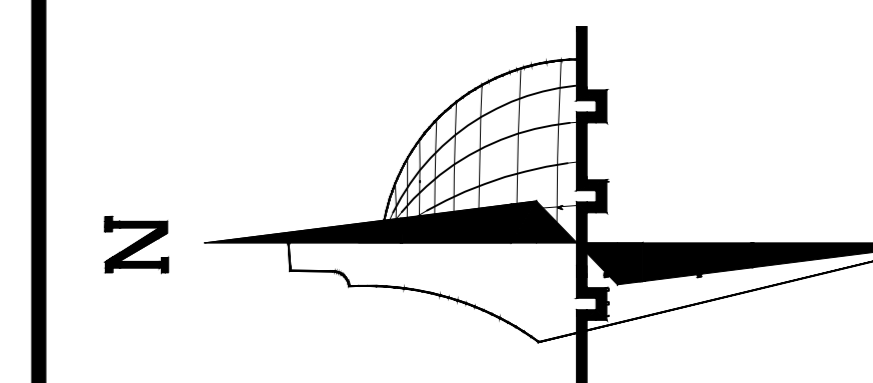
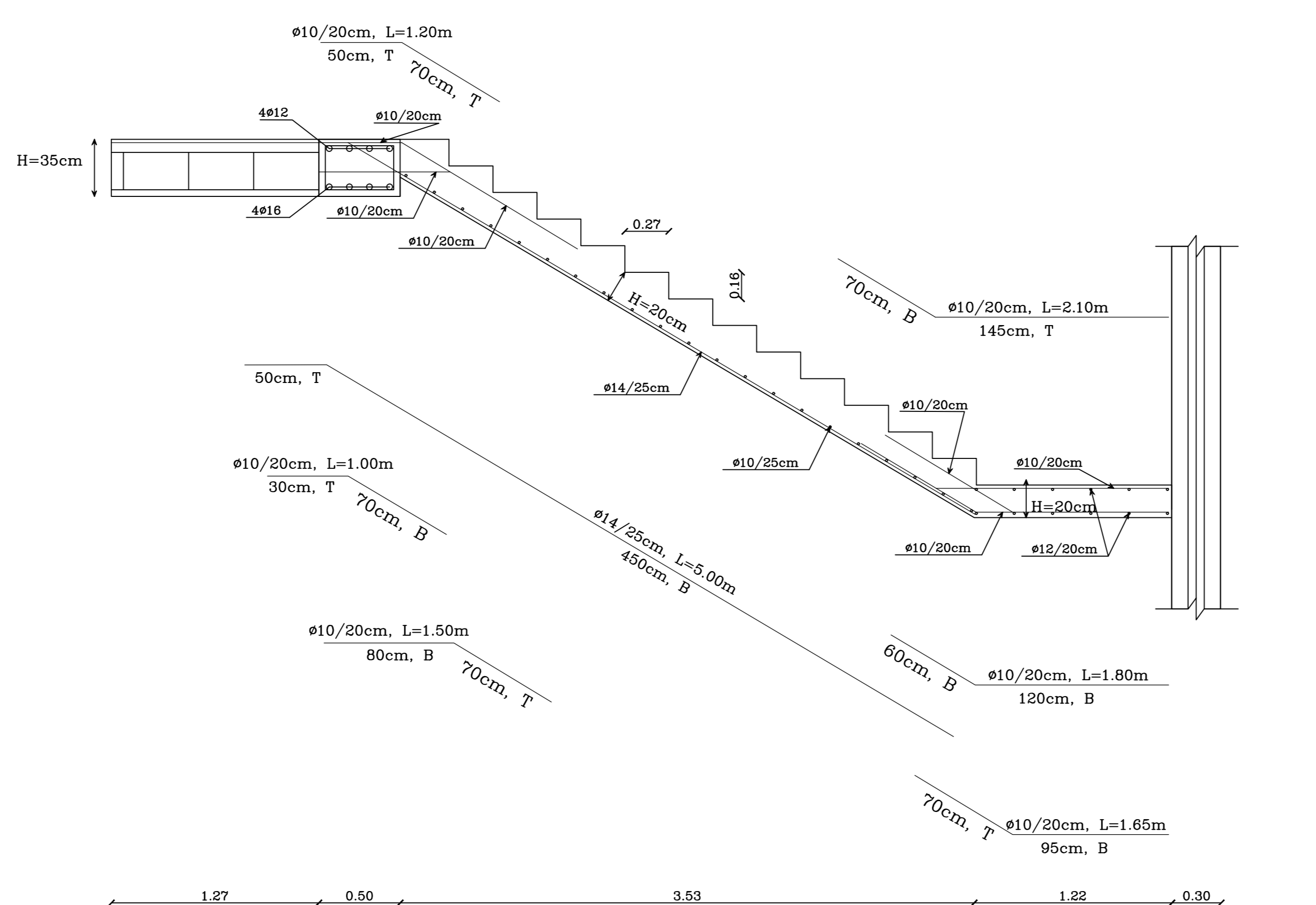
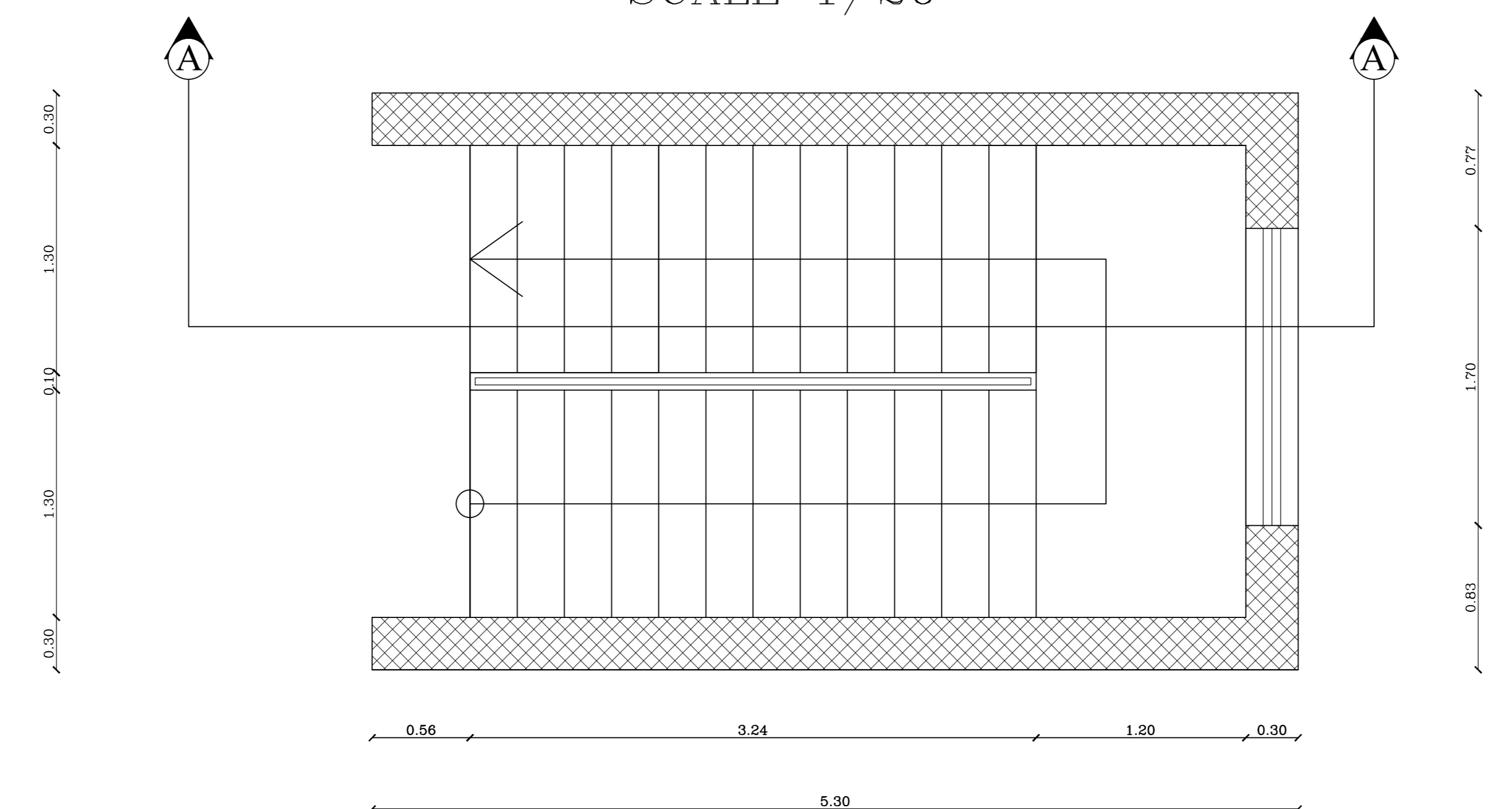
Civil Engineering

Graduation Project

Al-Noor Hotel

# STAIR REINFORCEMENT

SCALE 1/20



### Legend :

- Stone
- R.Concrete
- Concrete
- Hollow Block
- isolating materiales
- Gravel
- Wood
- HEXAGONAL TILES
- BAKLAVA TILES
- GRASS

DRAWING TITLE :

STAIR REINFORCEMENT

Supervisor

Dr. Nasr Abboushi.

Done by :

Mohammad zareer

Husam Talahmeh

SCALE	No. of DRAW	DATE
1/100	S57	21/01/2024