

Palestine Polytechnic University

Engineering College
Civil Engineering Department
Building Engineering

Graduation Project

Al Ahd - Structural Design



SUPERVISOR:

Eng. Inas Jamal Shweiki

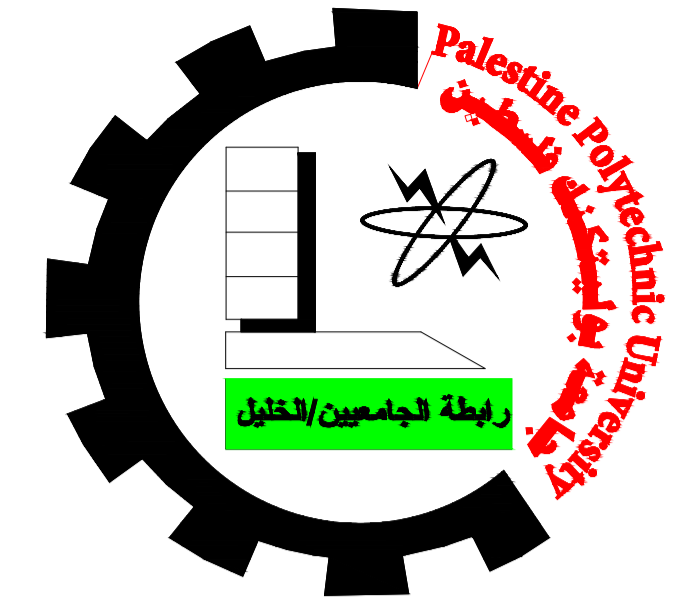
WORK TEAM:

Ahmad Abd Al_Motaleb Tamimi

Ismail Jamil Abu Dawood

Osama Nezam Qawasma

**Hebron-Palestine
2024**



Palestine Polytechnic University

Engineering College

Civil Engineering Department

Building Engineering

Al Ahd - Structural Design

Graduation Project

ARCHITECTUTAL DRAWINGS

000	DRAWINGS TABLE
A001	Site Plan
A002	Site Plan Dim.
A003	Parking Plan
A004	Basement Plan
A005	Ground Floor plan
A006	First Floor plan
A007	Secound Floor plan
A008	Fourth Floor plan
A009	Dim.parking Plan
A010	Dim.Basement Plan
A011	Dim.Ground Floor plan
A012	Dim.First Floor plan
A013	Dim.Secound Floor plan
A014	Dim.Fourth Floor plan
A015	Elevations
A016	Elevations
A017	SECTIONS
A018	SECTION C - C

STRUCTURAL DRAWINGS

S101	Columns Centers
S102	Foundation Plan
S103	Isolated Footing
S104	Isolated Footing
S105	Isolated Footing
S106	Continuous Footing - 1
S107	Continuous Footing 2 & 3
S108	Mat Foundation - 1
S109	Mat Foundation - 2 & 3 & 4
S110	Mat Foundation - 5 & 6
S111	Strip Footing
S112	Ground Beam Plan
S201	Column's Design Sections
S202	Column Detailing - 1
S203	Column Detailing - 2
S204	Column Detailing - 3
S205	Column Detailing - 4
S3xx	Shear Wall Detailing
S322	Basement Wall Detailing

STRUCTURAL DRAWINGS

S401	Parking Slab
S402	Parking Slab Detailing
S403	Basement Slab
S404	Basement Slab Detailing
S405	Ground Floor Slab
S406	Ground Floor Slab Detailing
S407	Service Floor Slab
S408	Service Floor Slab Detailing
S409	First Floor Slab
S410	First Floor Slab Detailing
S411	Second Floor Slab
S412	Second Floor Slab Detailing
S413	Third Floor Slab
S414	Third Floor Slab Detailing
S415	Fourth Floor Slab
S416	Fourth Floor Slab Detailing
S417	Stair Slab
S5xx	Beams Detailing
S601	Stair Detailing

TITLE

DRAWINGS TABLE

SUPERVISOR

Eng. Inas Shweki

DONE BY

Ahmad Tamimi
Ismail Abu Dawod
Osama Qawasma

SCALE

NO OF
DRAW

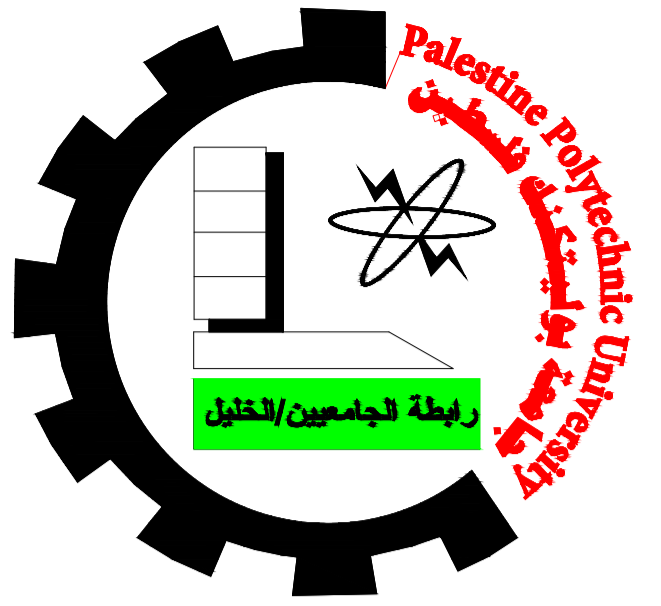
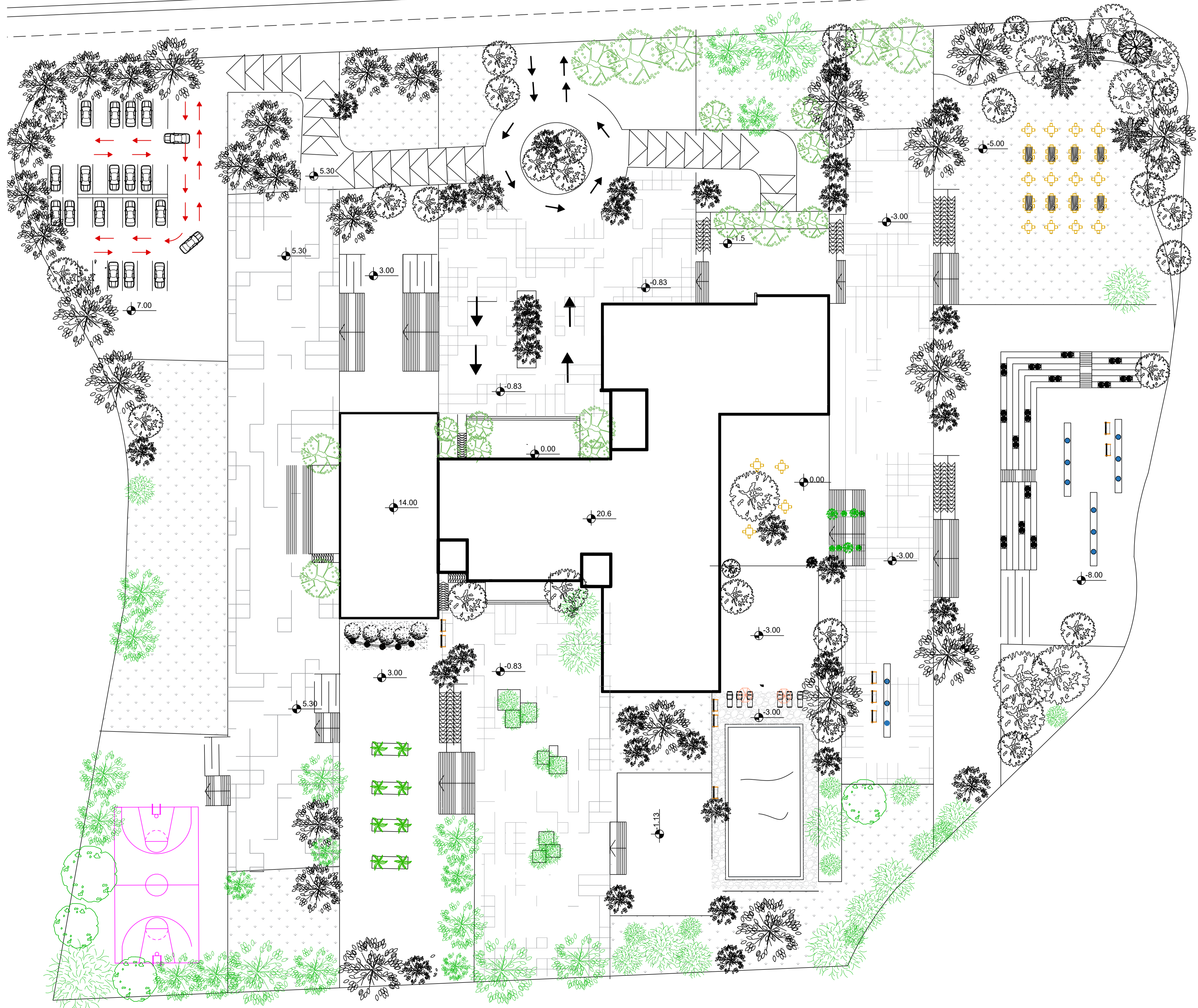
DATE

20/01/2024

A 001

Site Plan

Scale: 1:350



Palestine Polytechnic University

Engineering College

Civil Engineering Department

Building Engineering

Al Ahd - Structural Design

Graduation Project



TITLE

Site Plan

SUPERVISOR

Eng. Inas Shweki

DONE BY

Ahmad Tamimi
Ismail Abu Dawod
Osama Qawasma

SCALE 1:350

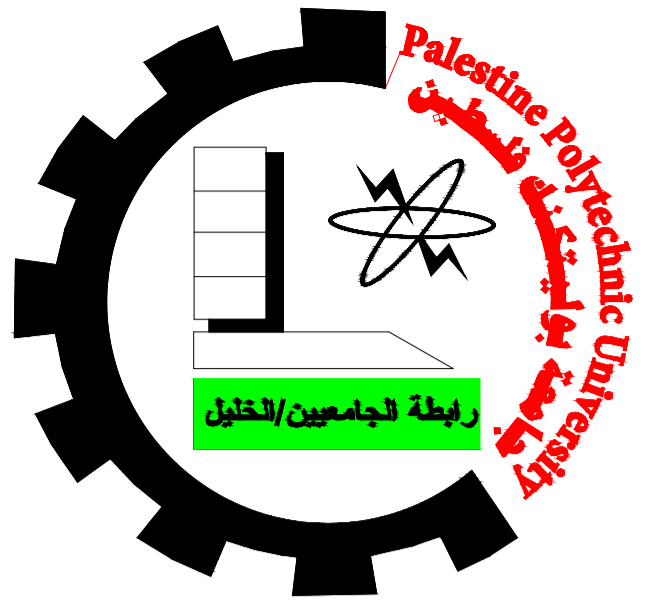
NO OF DRAW A 001

DATE 20/1/2024

A 002

Site Plan Dim.

Scale: 1:350



Palestine Polytechnic University

Engineering College

Civil Engineering Department

Building Engineering

Al Ahd - Structural Design

Graduation Project



TITLE

Site Plan Dim.

SUPERVISOR

Eng. Inas Shweki

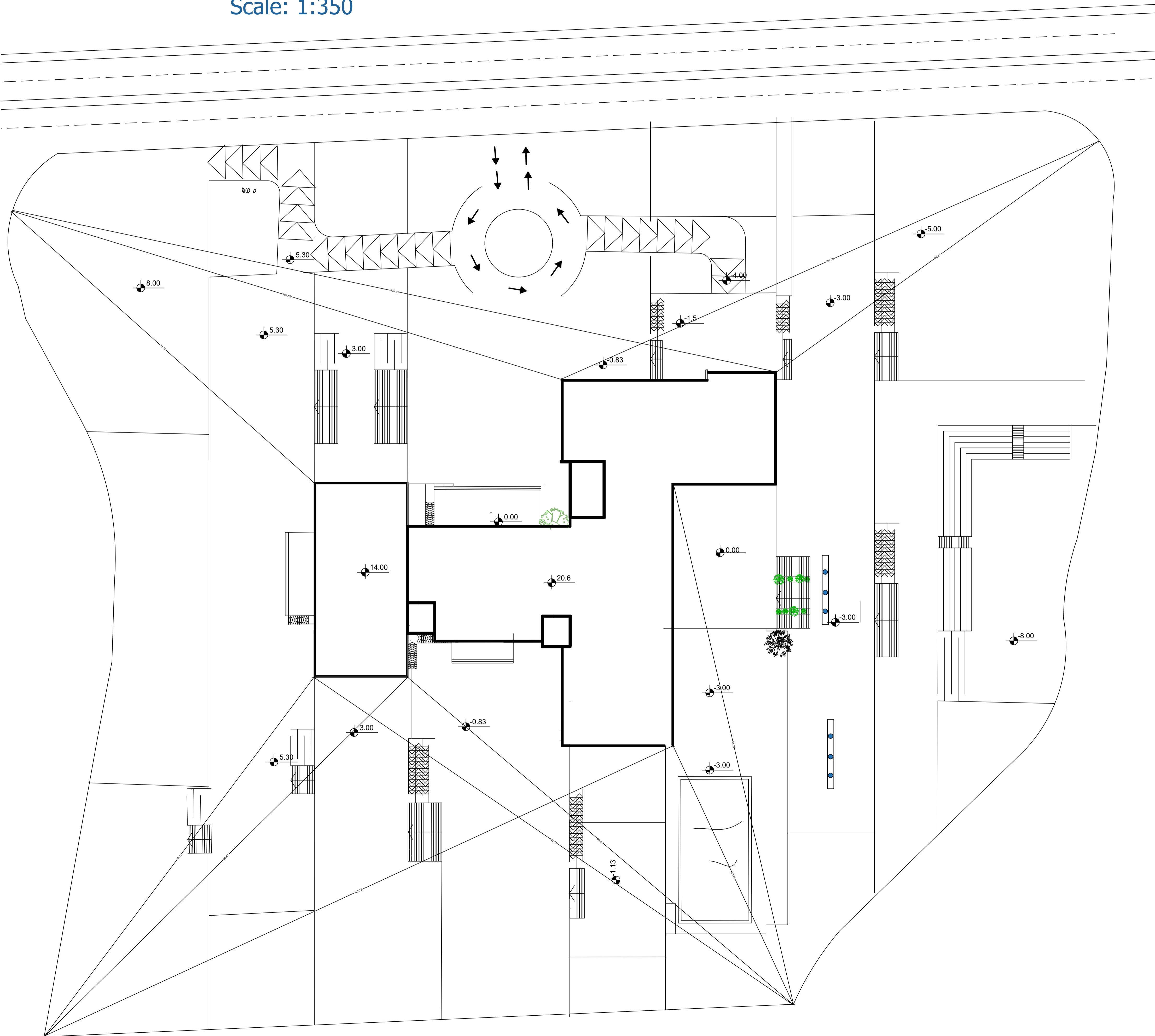
DONE BY

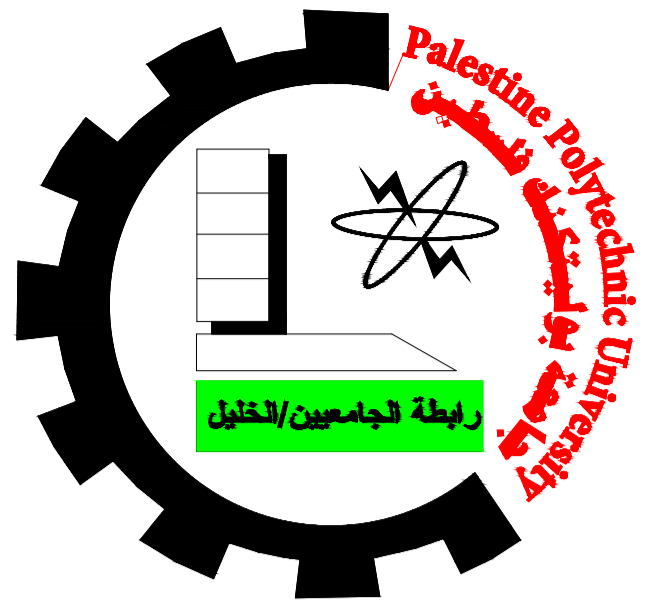
Ahmad Tamimi
Ismail Abu Dawod
Osama Qawasma

SCALE 1:350

NO OF DRAW A 002

DATE 20/1/2024





Palestine Polytechnic University

Engineering College

Civil Engineering Department

Building Engineering

Al Ahd - Structural Design

Graduation Project



TITLE

Parking Plan

SUPERVISOR

Eng. Inas Shweki

DONE BY

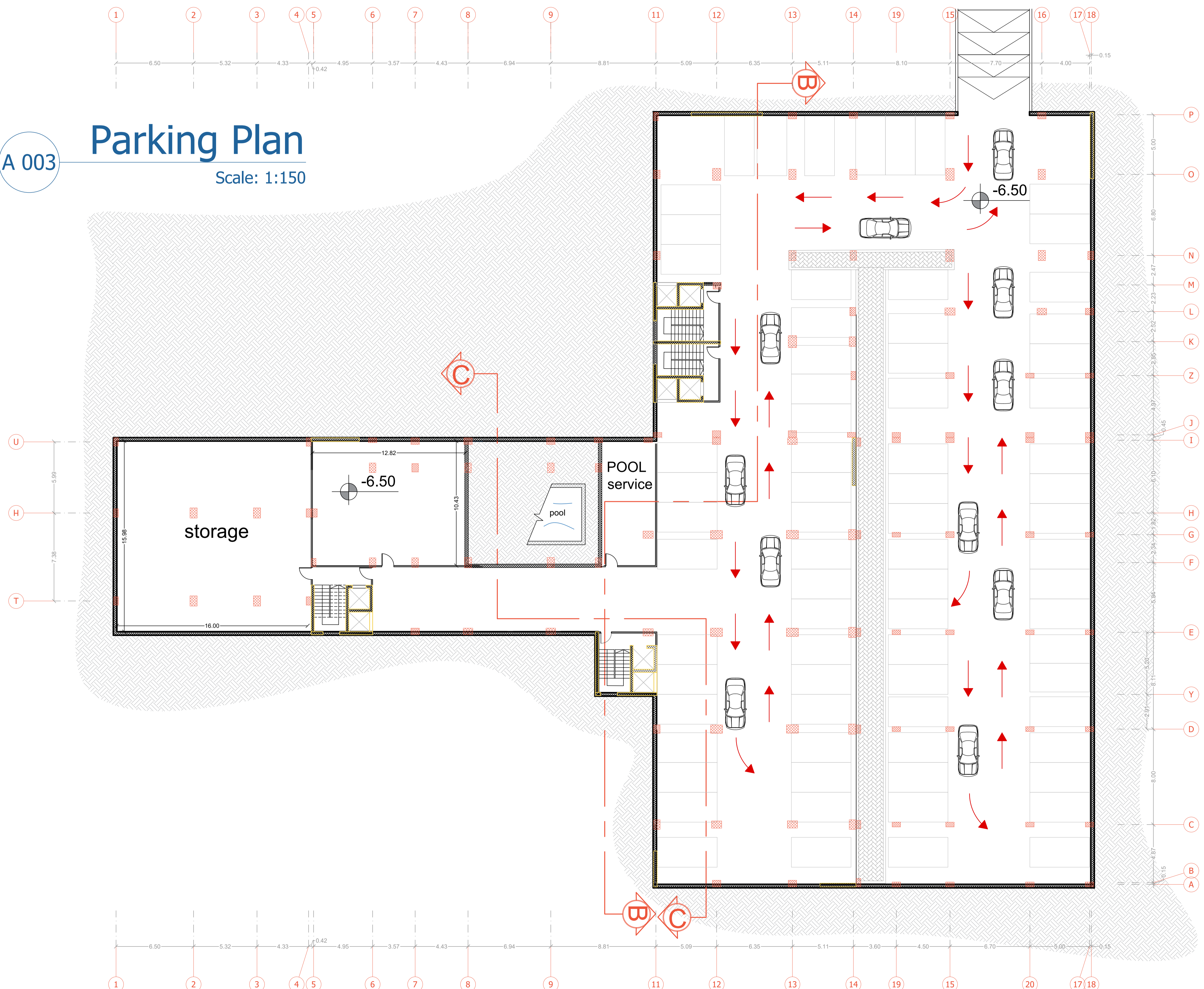
Ahmad Tamimi
Ismail Abu Dawod
Osama Qawasma

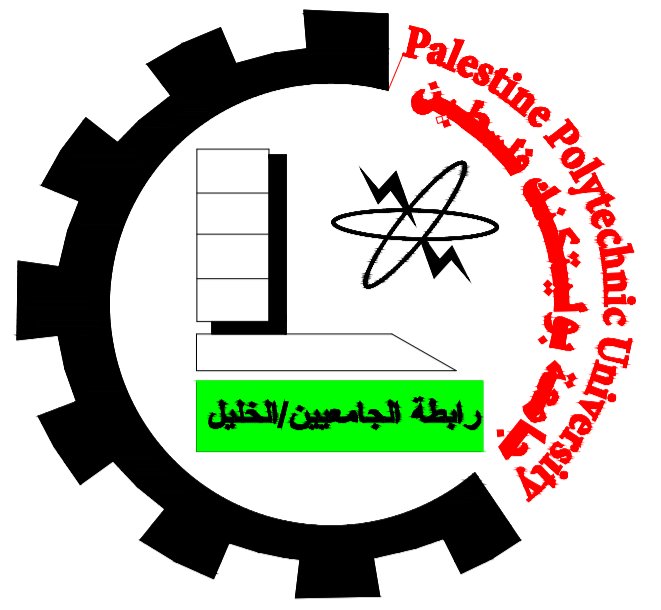
SCALE 1:150

NO Of DRAW A 003

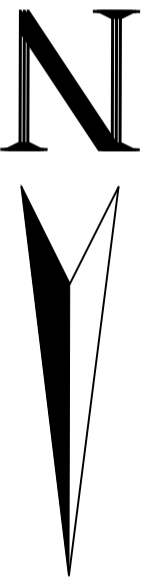
DATE 20/1/2024

A 003 **Parking Plan**
Scale: 1:150





Palestine Polytechnic University
 Engineering College
 Civil Engineering Department
 Building Engineering
 Al Ahd - Structural Design
 Graduation Project



TITLE

Basement Plan

SUPERVISOR

Eng. Inas Shweki

DONE BY

Ahmad Tamimi
 Ismail Abu Dawod
 Osama Qawasma

SCALE 1:150

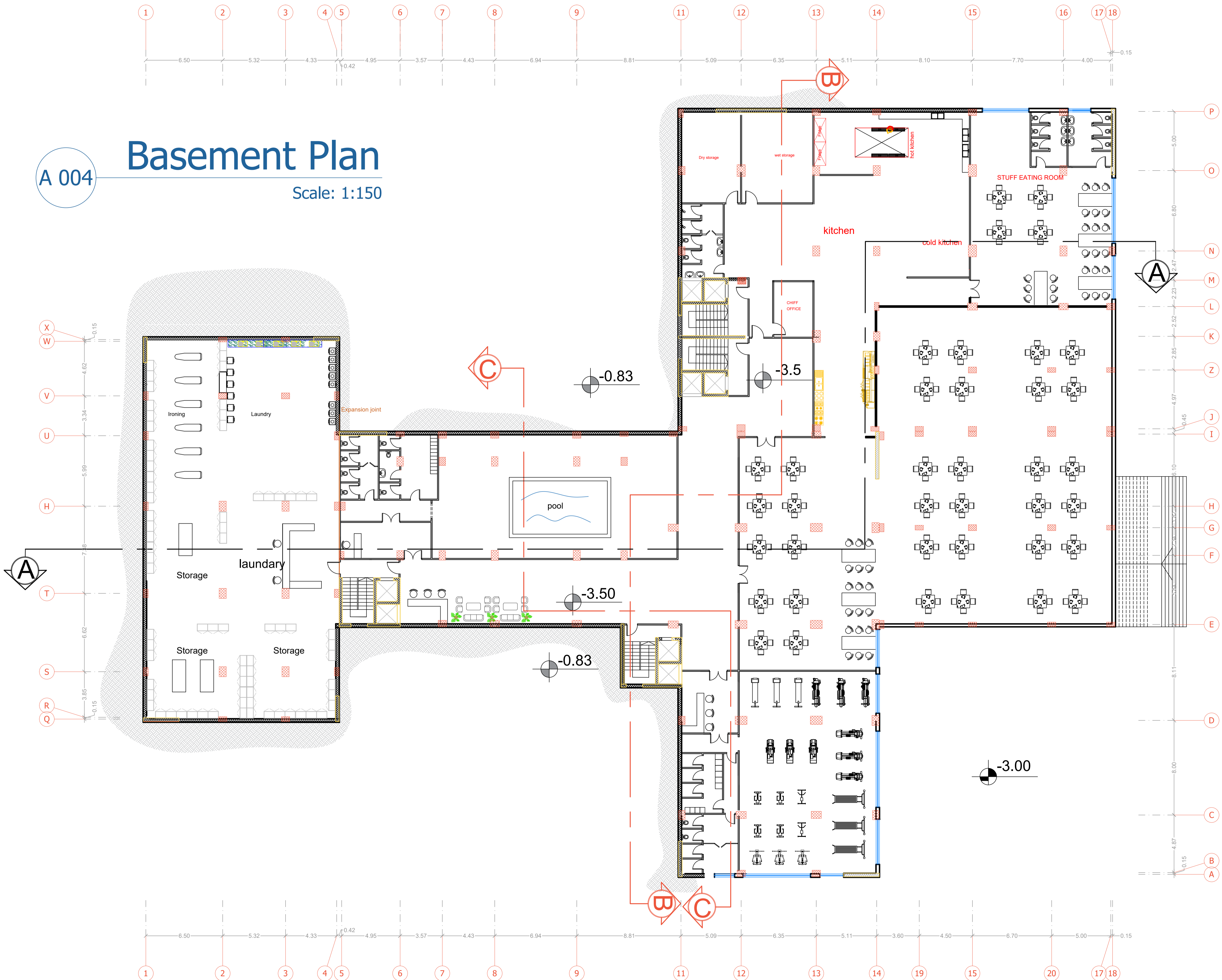
NO OF DRAW A 004

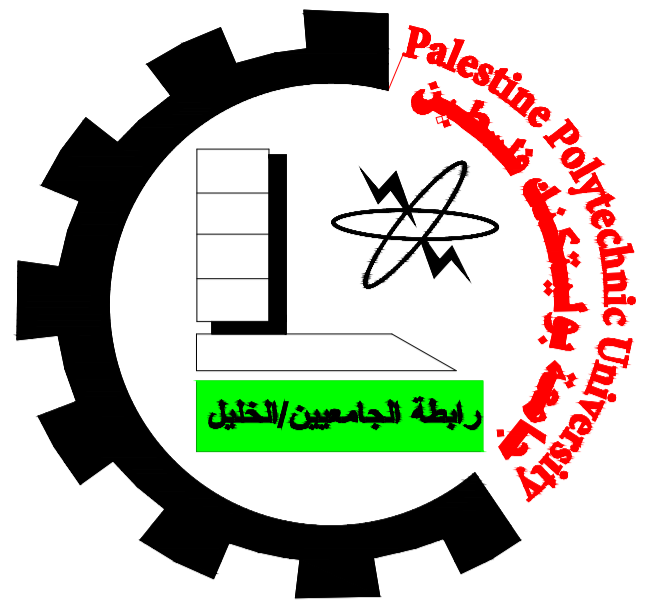
DATE 20/1/2024

Basement Plan

A 004

Scale: 1:150





Palestine Polytechnic University

Engineering College

Civil Engineering Department

Building Engineering

Al Ahd - Structural Design

Graduation Project



TITLE

Ground floor Plan

SUPERVISOR

Eng. Inas Shweki

DONE BY

Ahmad Tamimi
Ismail Abu Dawod
Osama Qawasma

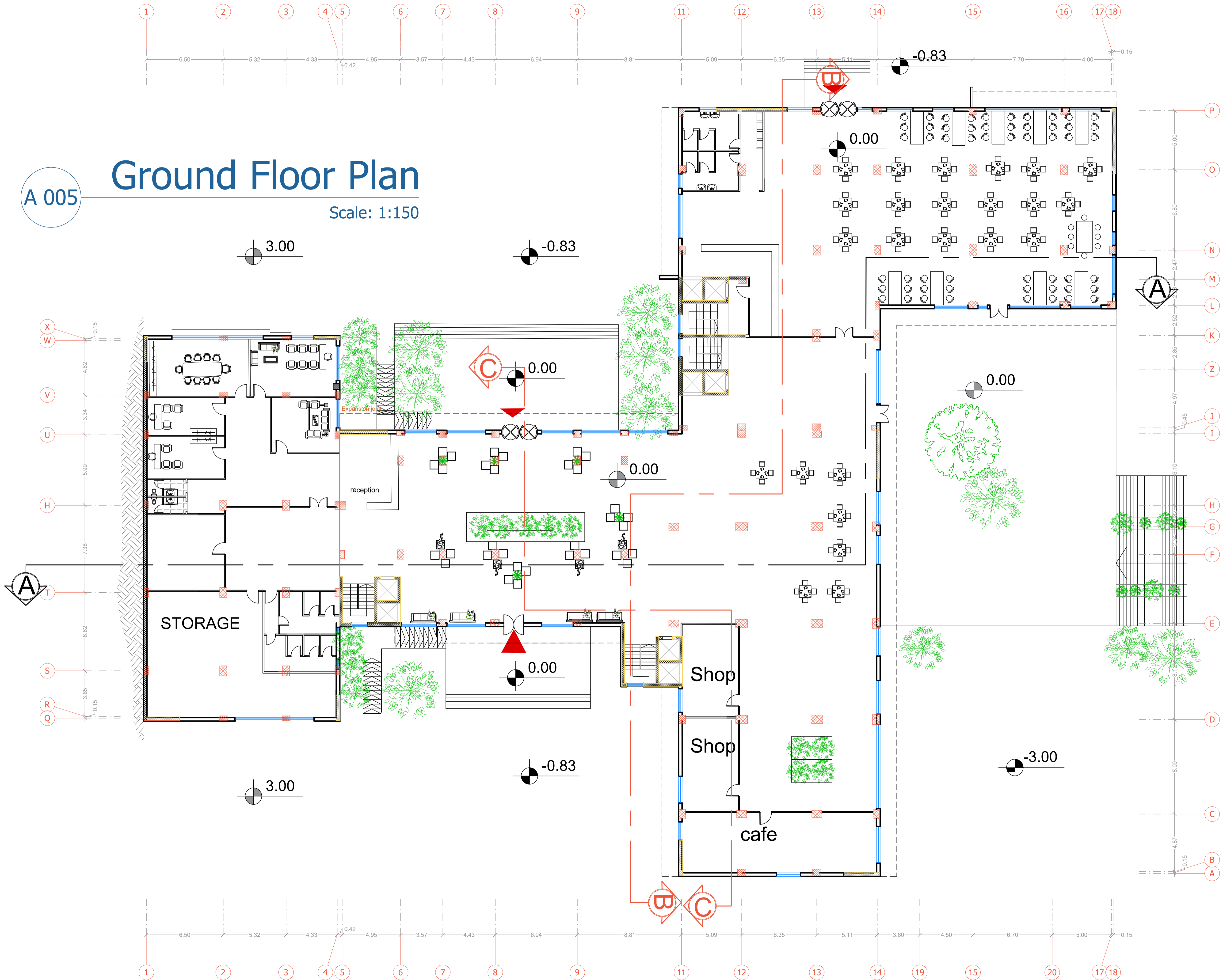
SCALE 1:150

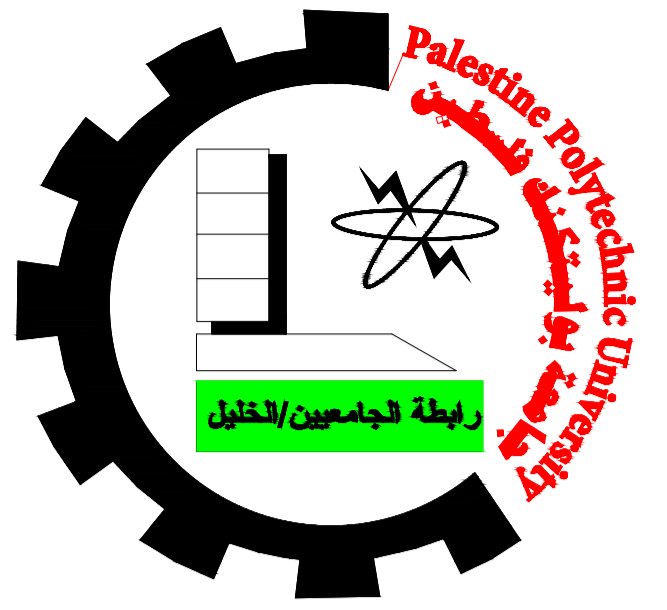
NO OF DRAW A 005

DATE 20/1/2024

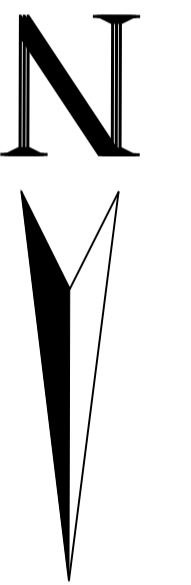
A 005 Ground Floor Plan

Scale: 1:150



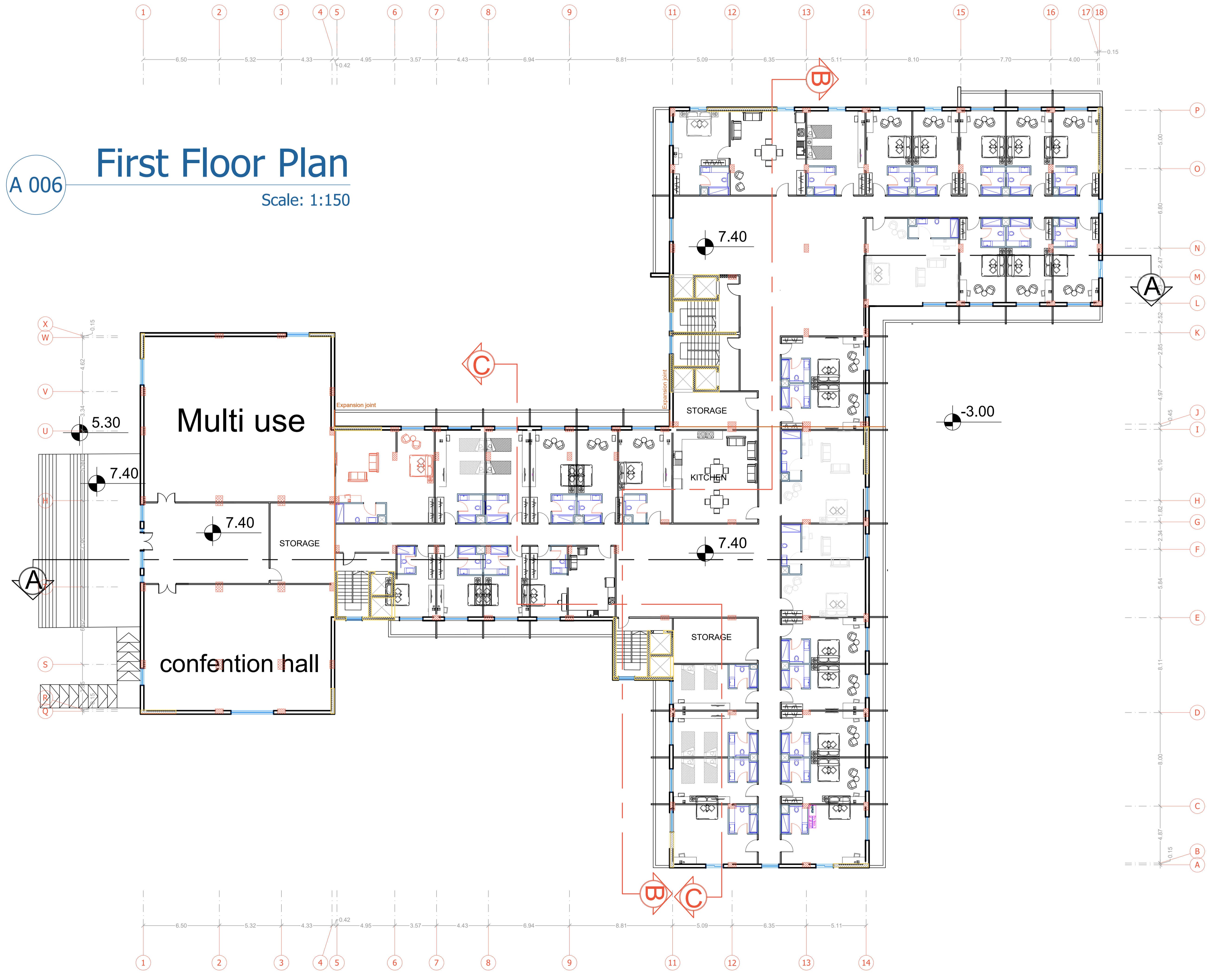


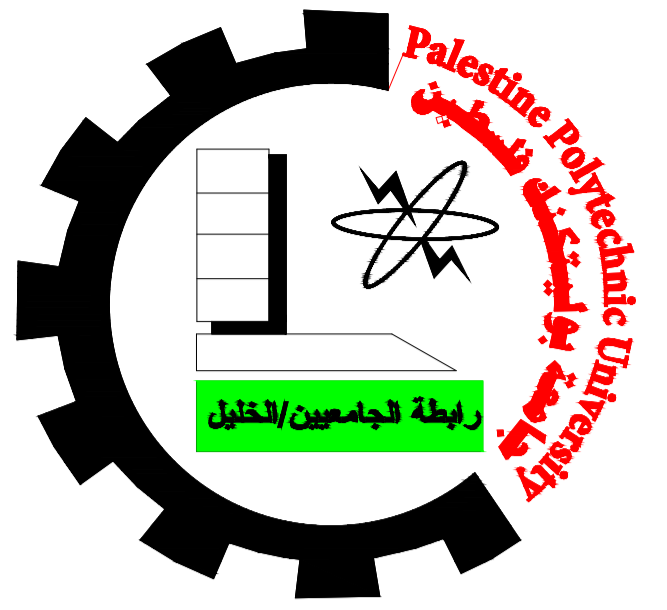
Palestine Polytechnic University
 Engineering College
 Civil Engineering Department
 Building Engineering
 Al Ahd - Structural Design
 Graduation Project



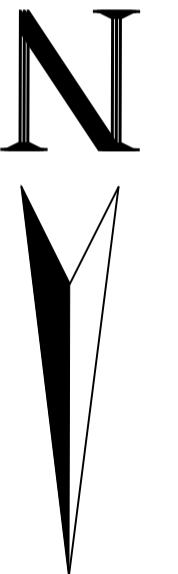
TITLE	
First Floor Plan	
SUPERVISOR	
Eng. Inas Shweki	
DONE BY	
Ahmad Tamimi Ismail Abu Dawod Osama Qawasma	
SCALE	1:150
NO OF DRAW	A 006
DATE	20/1/2024

A 006 **First Floor Plan**
 Scale: 1:150





Palestine Polytechnic University
 Engineering College
 Civil Engineering Department
 Building Engineering
 Al Ahd - Structural Design
 Graduation Project



TITLE

Second Floor Plan

SUPERVISOR

Eng. Inas Shweki

DONE BY

Ahmad Tamimi
 Ismail Abu Dawod
 Osama Qawasma

SCALE 1:150

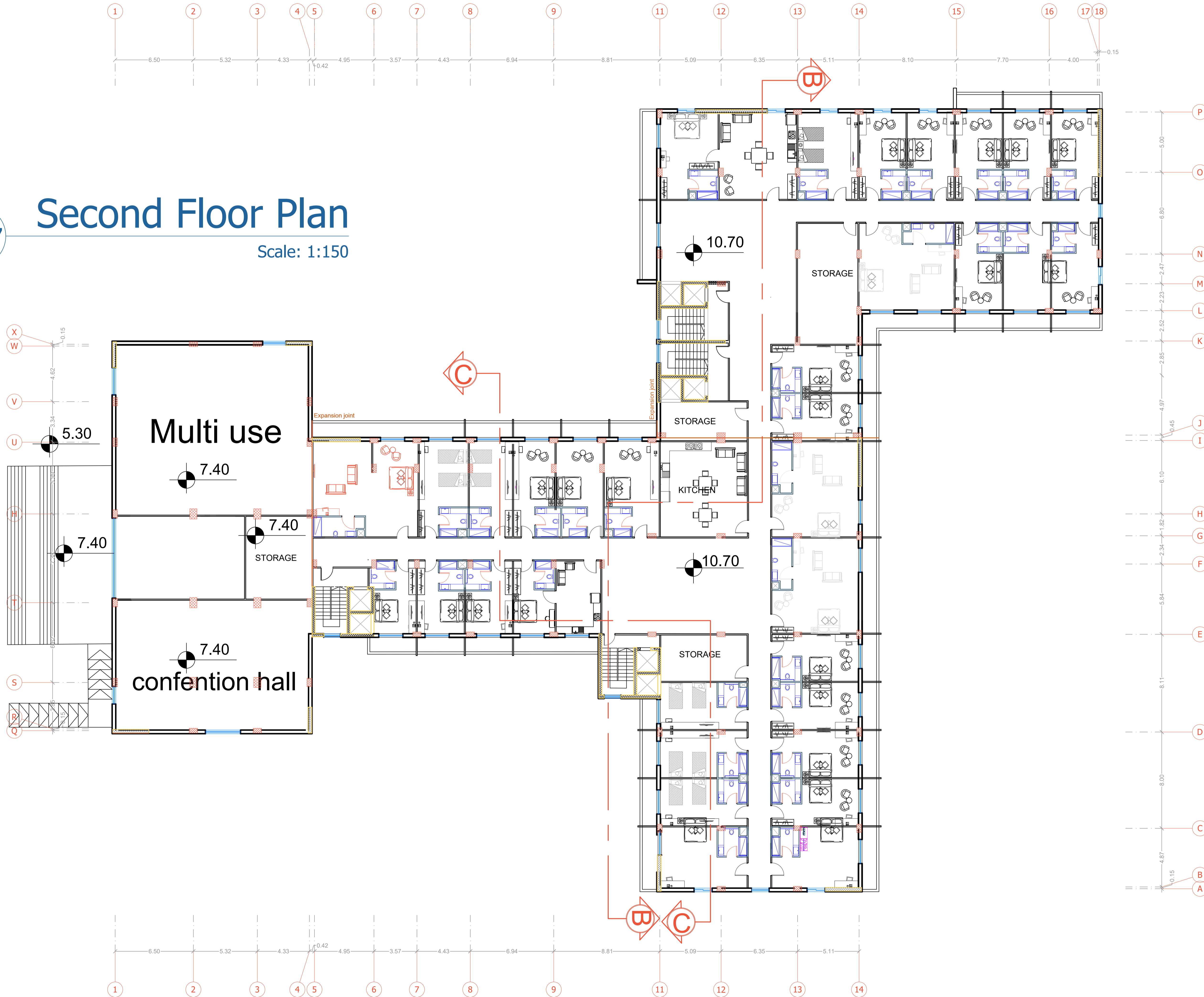
NO Of DRAW A 007

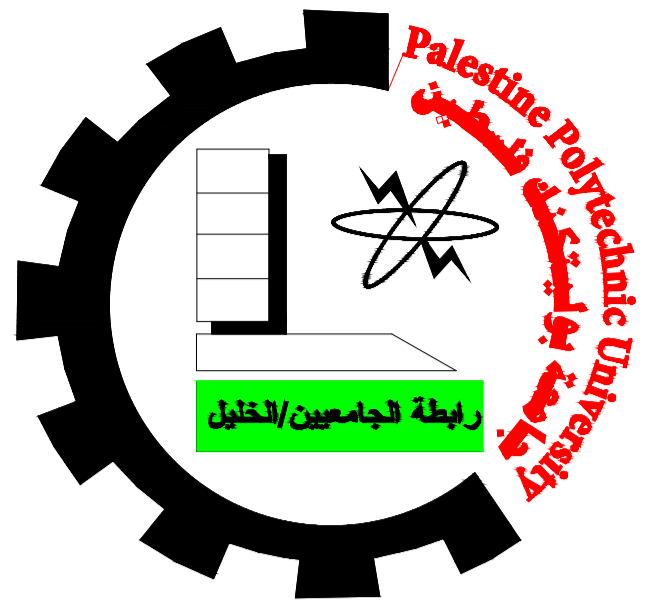
DATE 20/1/2024

A 007

Second Floor Plan

Scale: 1:150





Palestine Polytechnic University

Engineering College

Civil Engineering Department

Building Engineering

Al Ahd - Structural Design

Graduation Project



TITLE

Third & Fourth Floor Plan

SUPERVISOR

Eng. Inas Shweki

DONE BY

Ahmad Tamimi
Ismail Abu Dawod
Osama Qawasma

SCALE 1:150

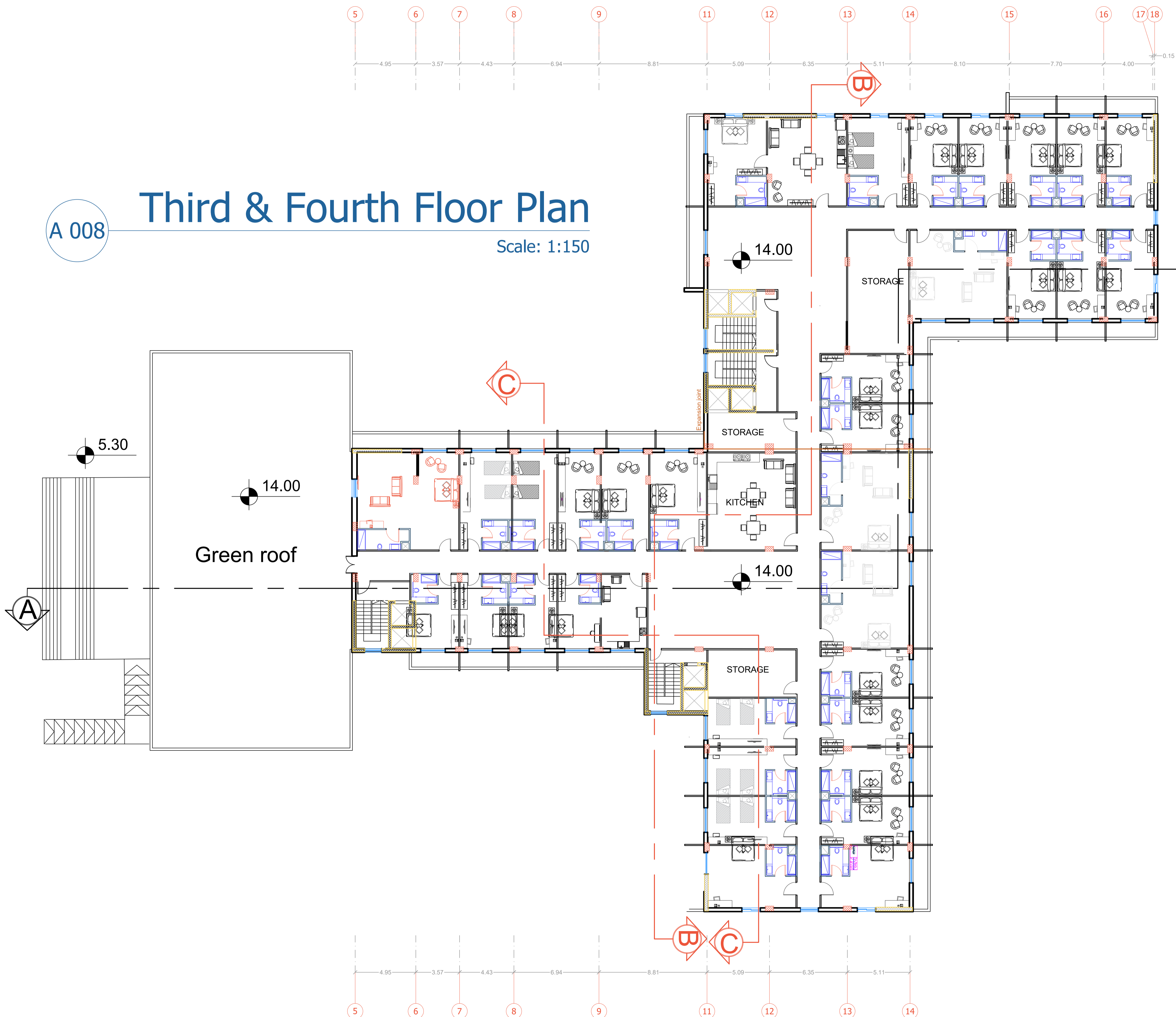
NO Of DRAW A 008

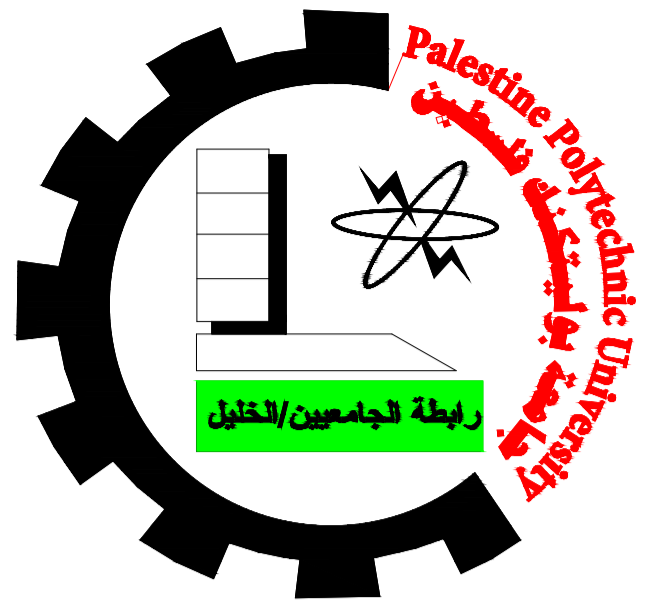
DATE 20/1/2024

Third & Fourth Floor Plan

Scale: 1:150

A 008





Palestine Polytechnic University

Engineering College

Civil Engineering Department

Building Engineering

Al Ahd - Structural Design

Graduation Project



TITLE

Parking Plan

SUPERVISOR

Eng. Inas Shweki

DONE BY

Ahmad Tamimi
Ismail Abu Dawod
Osama Qawasma

SCALE 1:150

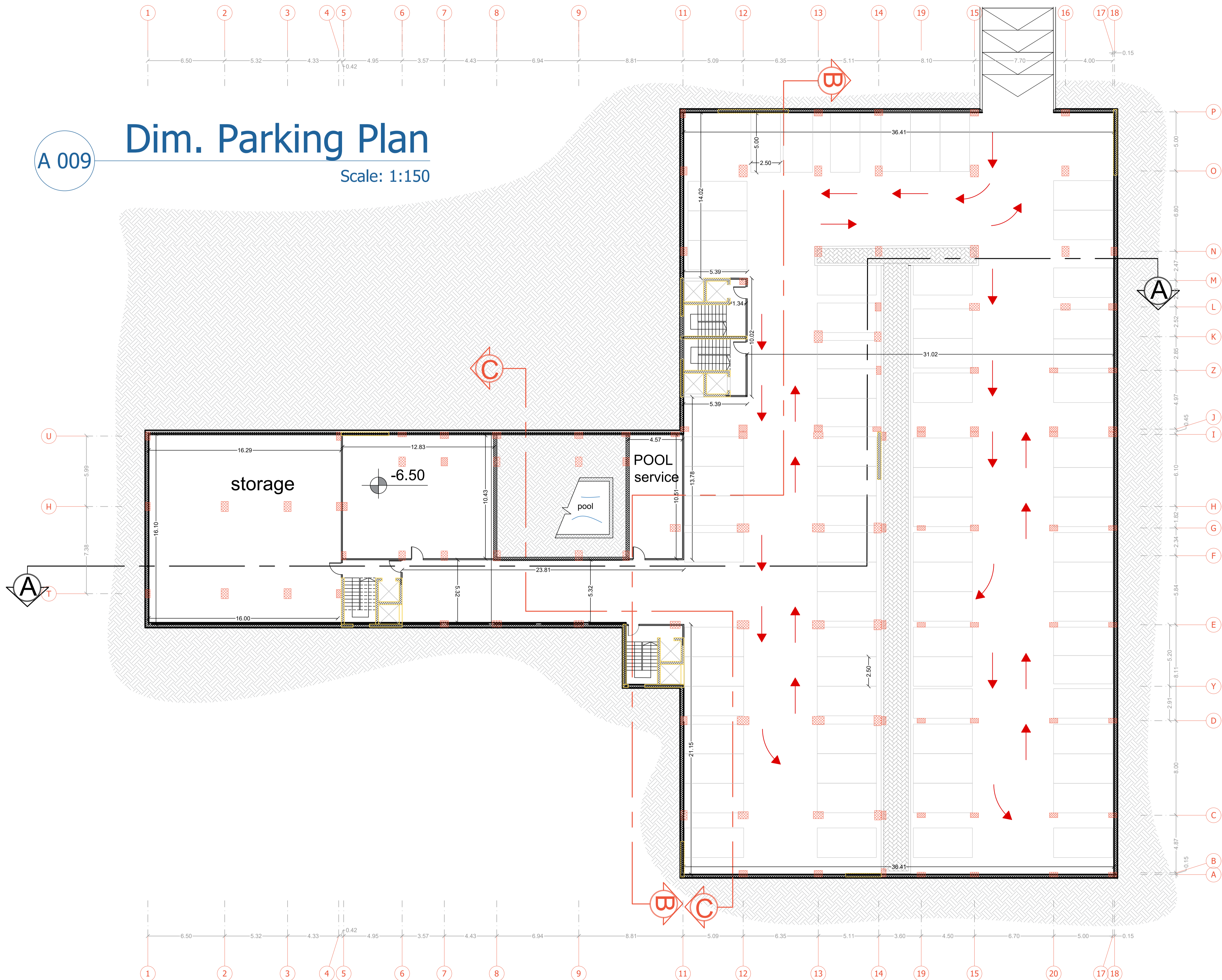
NO Of DRAW A 009

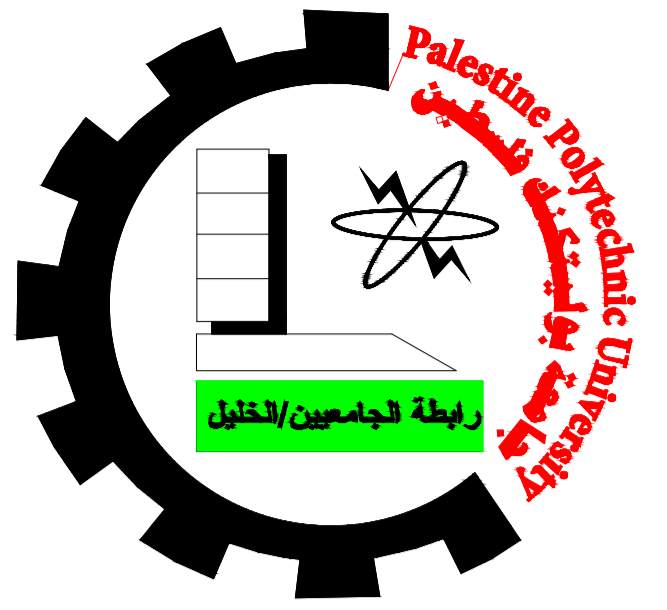
DATE 20/1/2024

A 009

Dim. Parking Plan

Scale: 1:150





Palestine Polytechnic University

Engineering College

Civil Engineering Department

Building Engineering

Al Ahd - Structural Design

Graduation Project



TITLE

Basement Plan

SUPERVISOR

Eng. Inas Shweki

DONE BY

Ahmad Tamimi
Ismail Abu Dawod
Osama Qawasma

SCALE 1:150

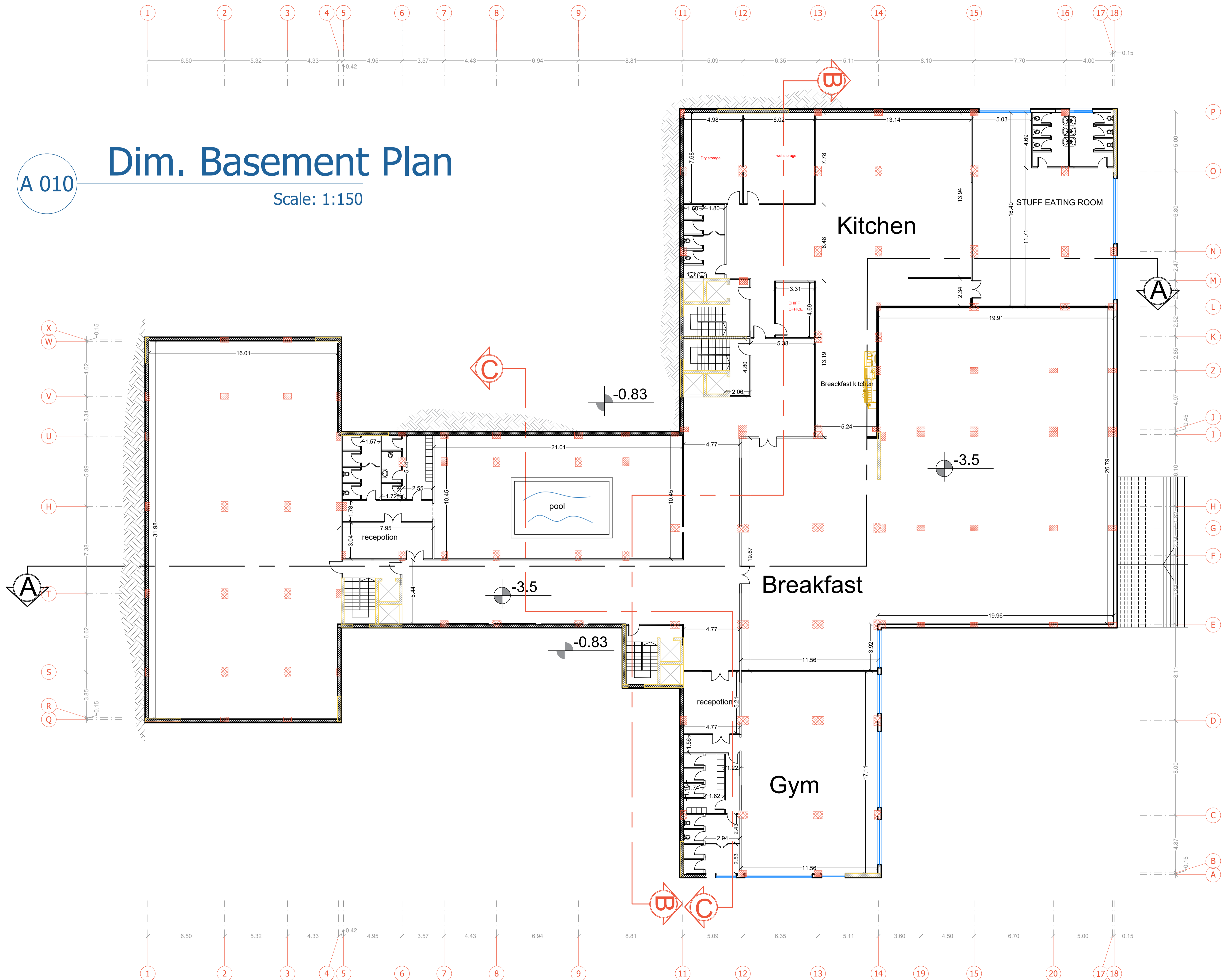
NO OF DRAW A 010

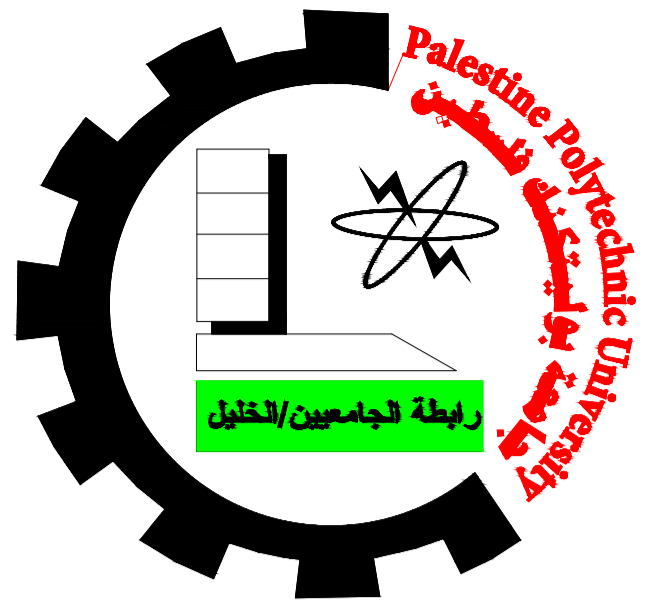
DATE 20/1/2024

Dim. Basement Plan

A 010

Scale: 1:150





Palestine Polytechnic University

Engineering College

Civil Engineering Department

Building Engineering

Al Ahd - Structural Design

Graduation Project



TITLE

Ground floor Plan

SUPERVISOR

Eng. Inas Shweki

DONE BY

Ahmad Tamimi
Ismail Abu Dawod
Osama Qawasma

SCALE 1:150

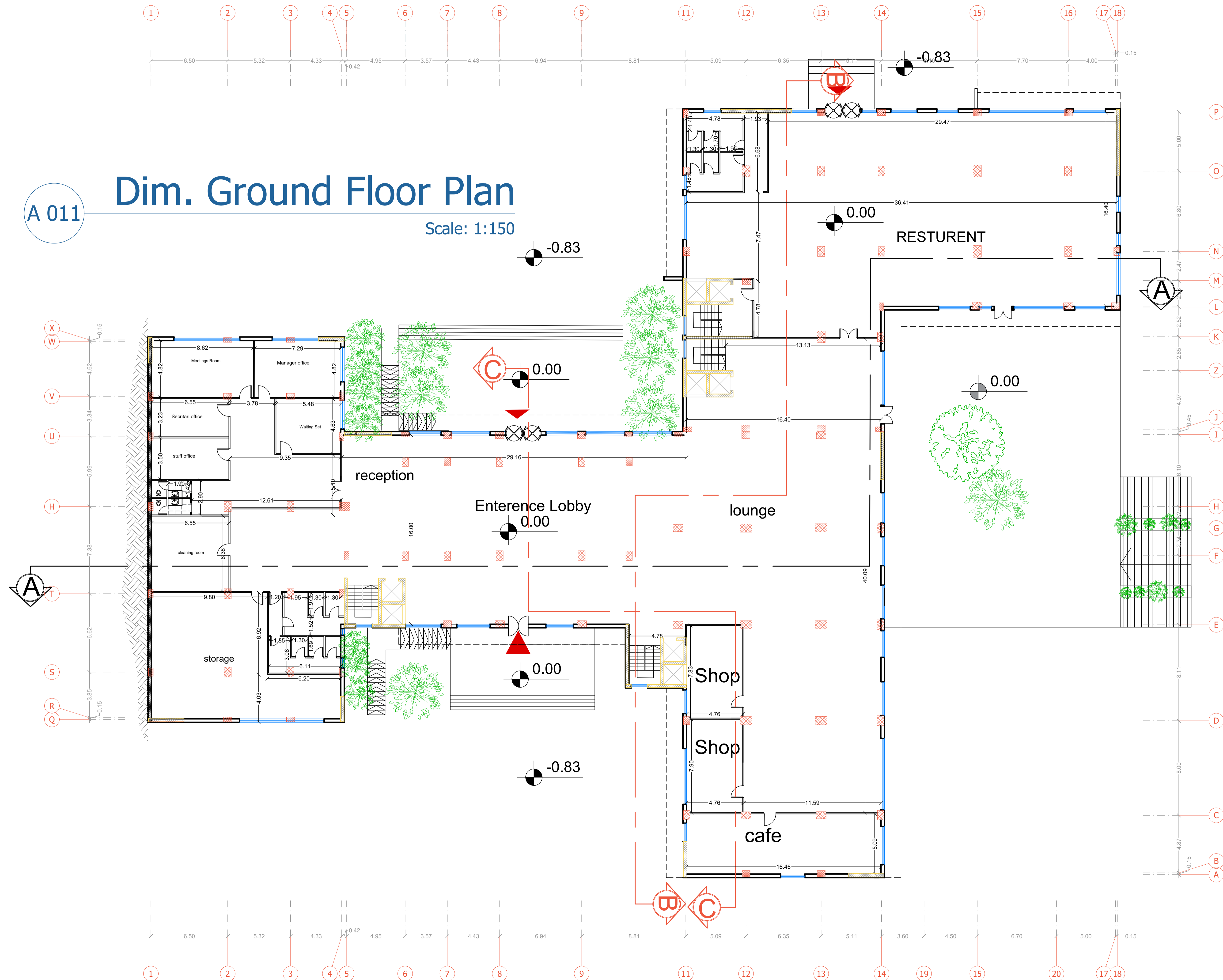
NO OF DRAW A 011

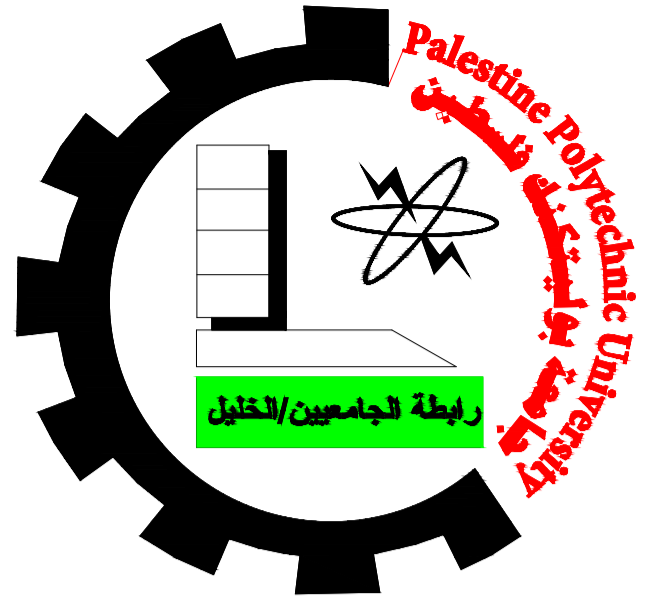
DATE 20/1/2024

Dim. Ground Floor Plan

Scale: 1:150

A 011





Palestine Polytechnic University

Engineering College

Civil Engineering Department

Building Engineering

Al Ahd - Structural Design

Graduation Project



TITLE

First Floor Plan

SUPERVISOR

Eng. Inas Shweki

DONE BY

Ahmad Tamimi
Ismail Abu Dawod
Osama Qawasma

SCALE 1:150

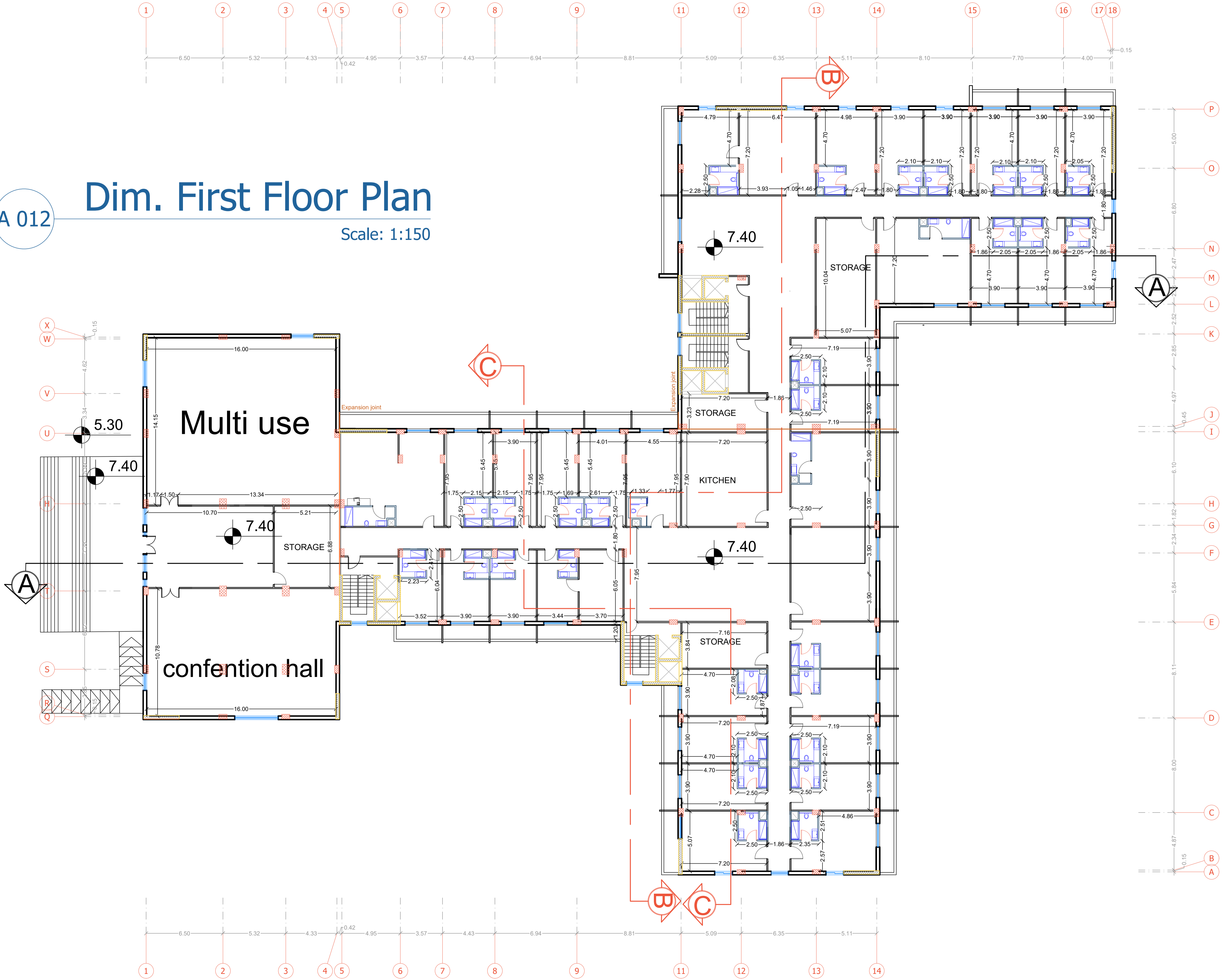
NO OF DRAW A 012

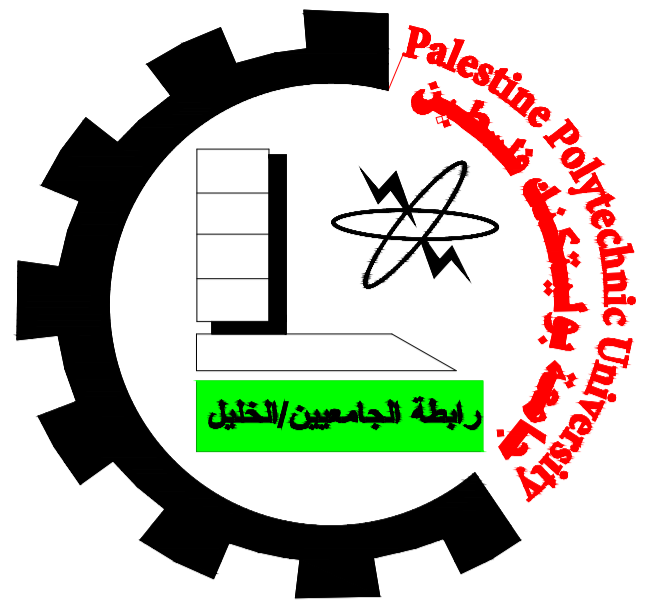
DATE 20/1/2024

Dim. First Floor Plan

Scale: 1:150

A 012





Palestine Polytechnic University

Engineering College

Civil Engineering Department

Building Engineering

Al Ahd - Structural Design

Graduation Project



TITLE

Second Floor Plan

SUPERVISOR

Eng. Inas Shweki

DONE BY

Ahmad Tamimi
Ismail Abu Dawod
Osama Qawasma

SCALE 1:150

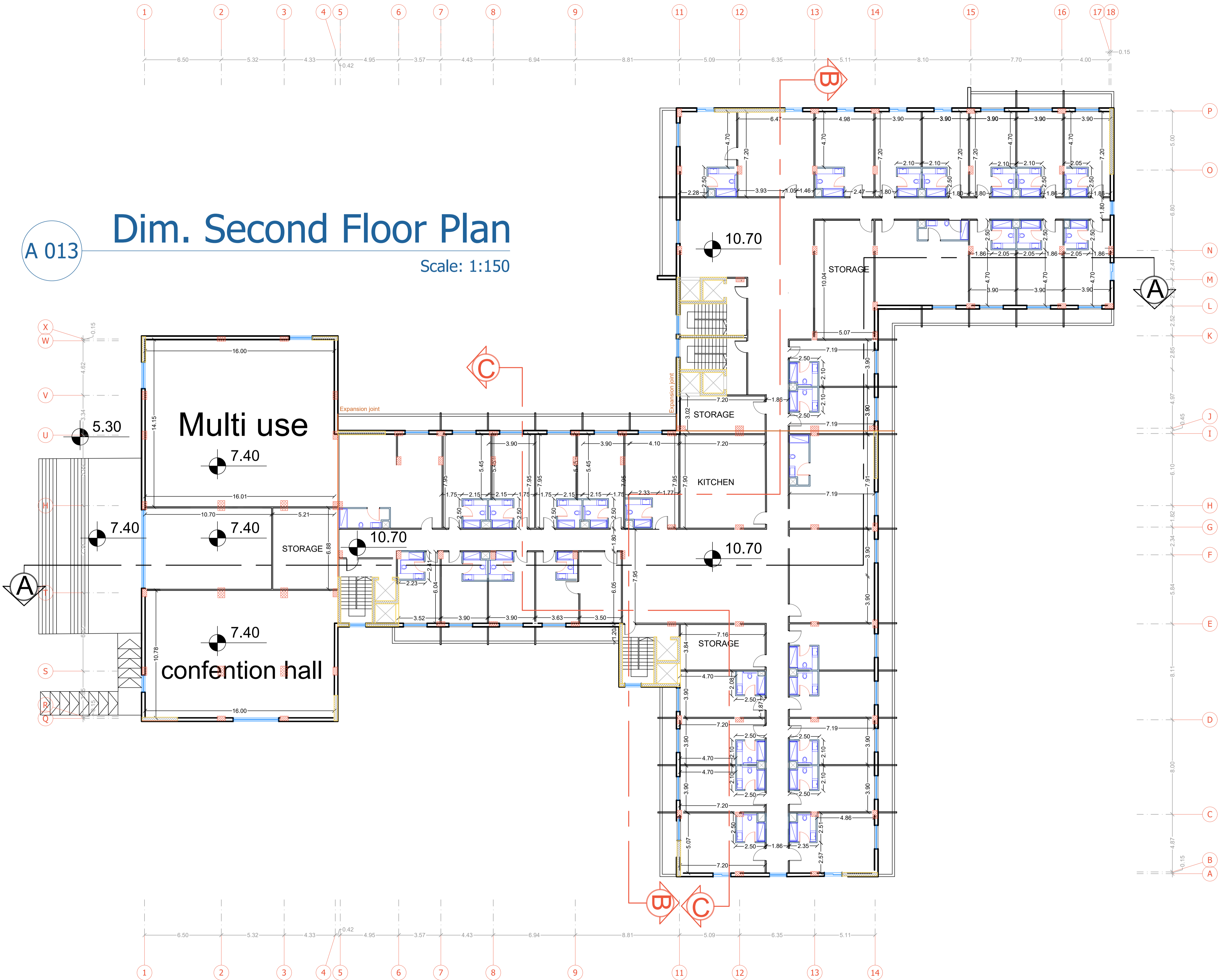
NO Of DRAW A 013

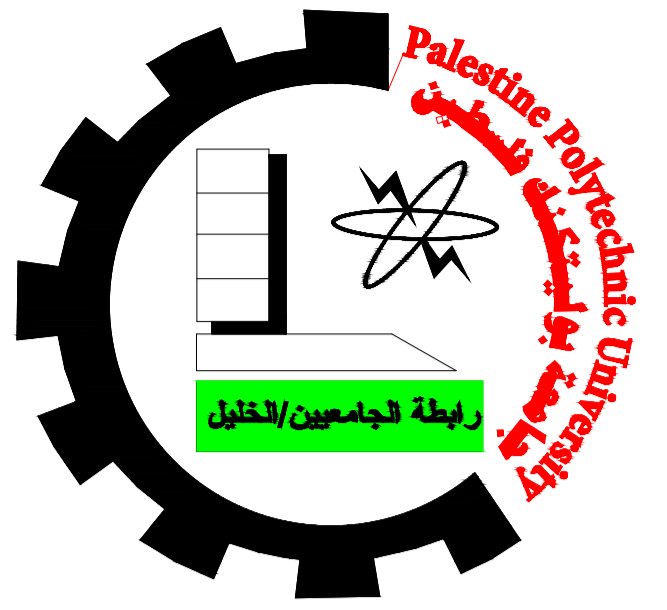
DATE 20/1/2024

A 013

Dim. Second Floor Plan

Scale: 1:150





Palestine Polytechnic University

Engineering College

Civil Engineering Department

Building Engineering

Al Ahd - Structural Design

Graduation Project



TITLE

Third & Fourth Floor Plan

SUPERVISOR

Eng. Inas Shweki

DONE BY

Ahmad Tamimi
Ismail Abu Dawod
Osama Qawasma

SCALE 1:150

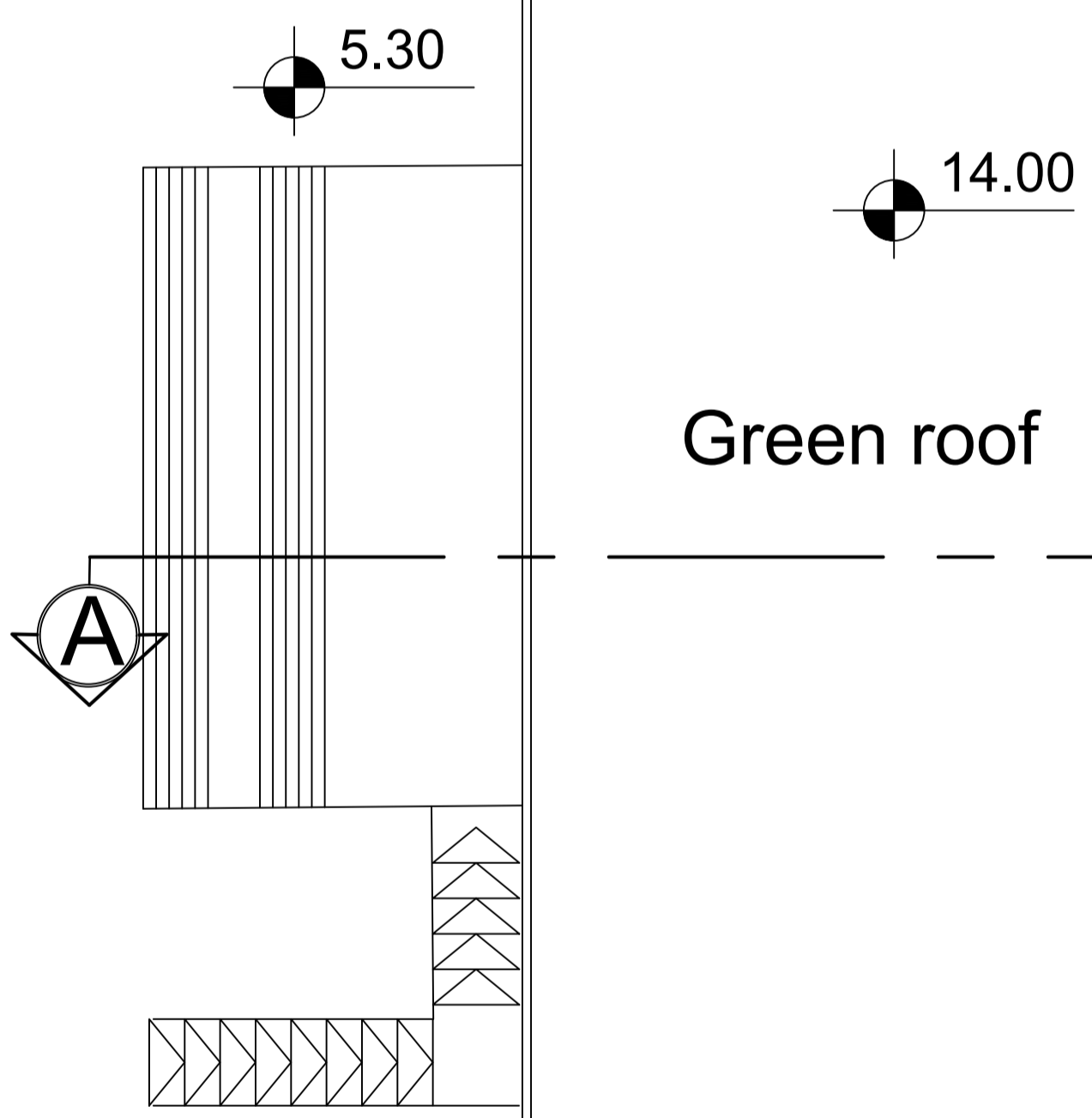
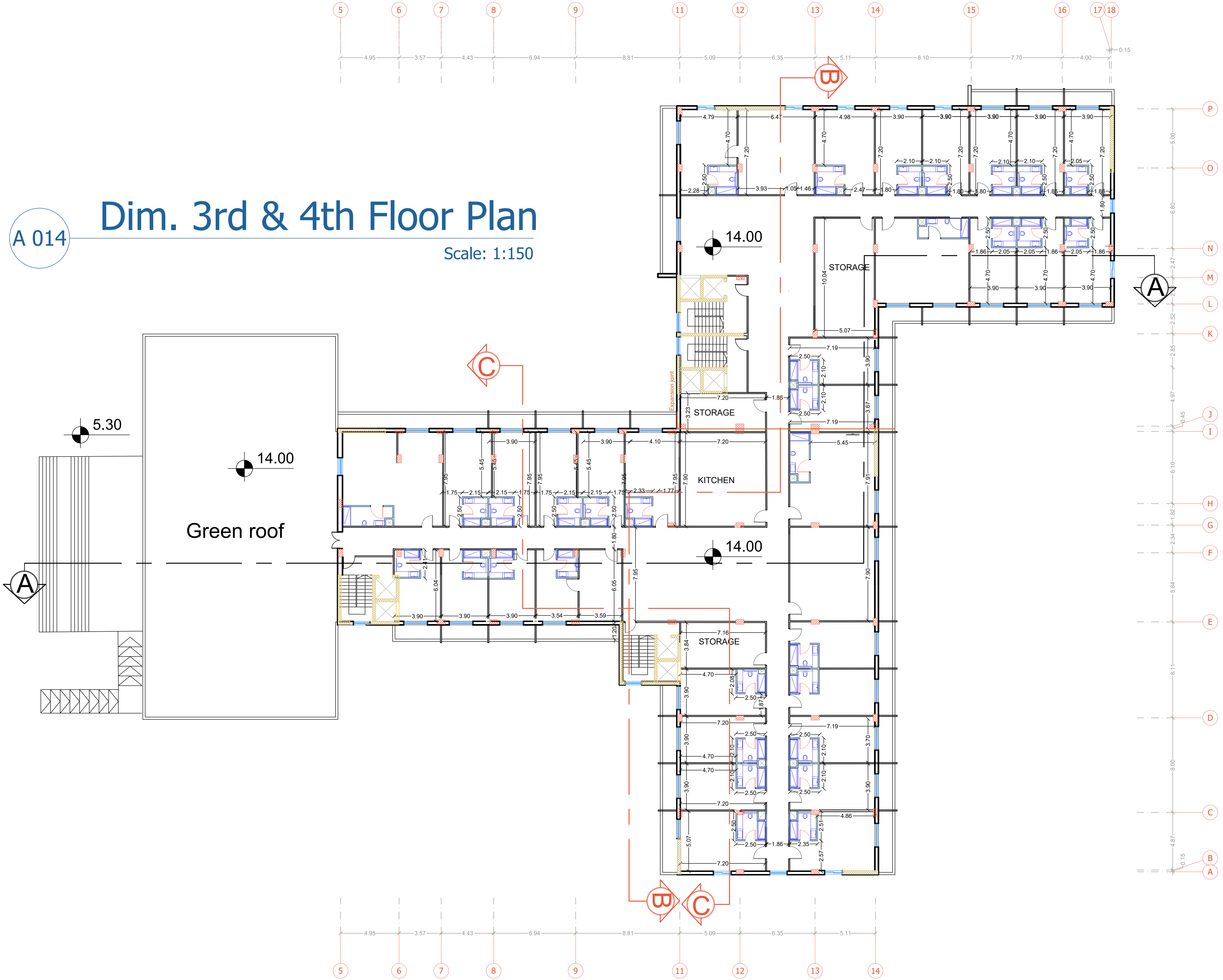
NO Of DRAW A 014

DATE 20/1/2024

Dim. 3rd & 4th Floor Plan

Scale: 1:150

A 014



Green roof

14.00

14.00

14.00

A 015

Northern Elevation

Scale: 1:150



Palestine Polytechnic University

Engineering College

Civil Engineering Department

Building Engineering

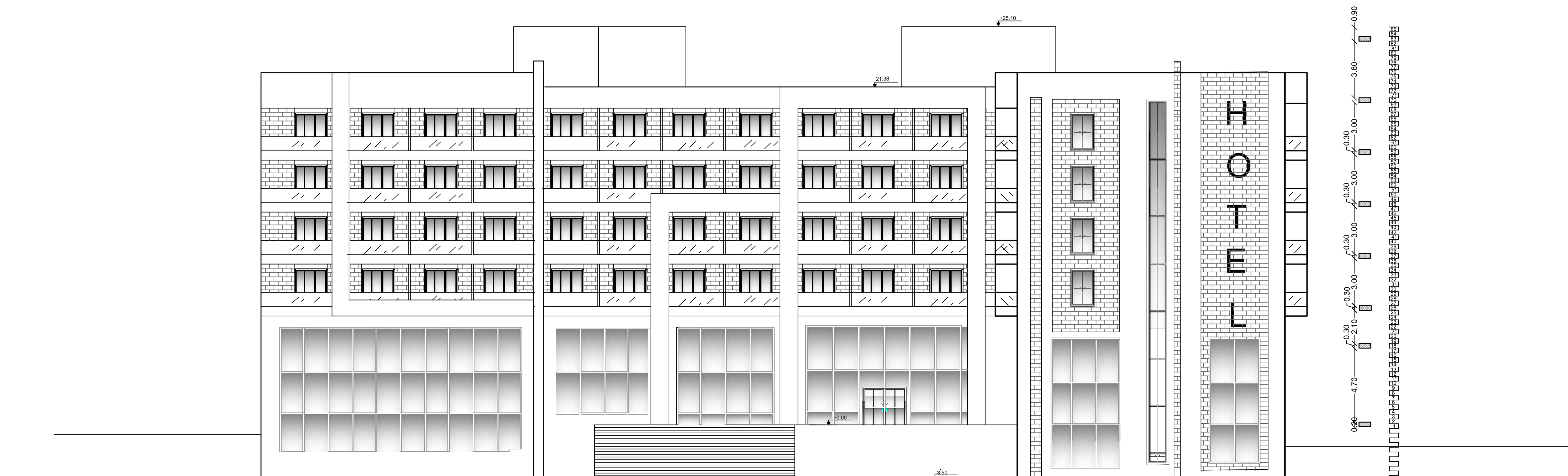
Al Ahd - Structural Design

Graduation Project

A 015

Western Elevation

Scale: 1:150



TITLE

Elevations

SUPERVISOR

Eng. Inas Shweki

DONE BY

Ahmad Tamimi
Ismail Abu Dawod
Osama Qawasma

SCALE

1:150

NO OF
DRAW

A 015

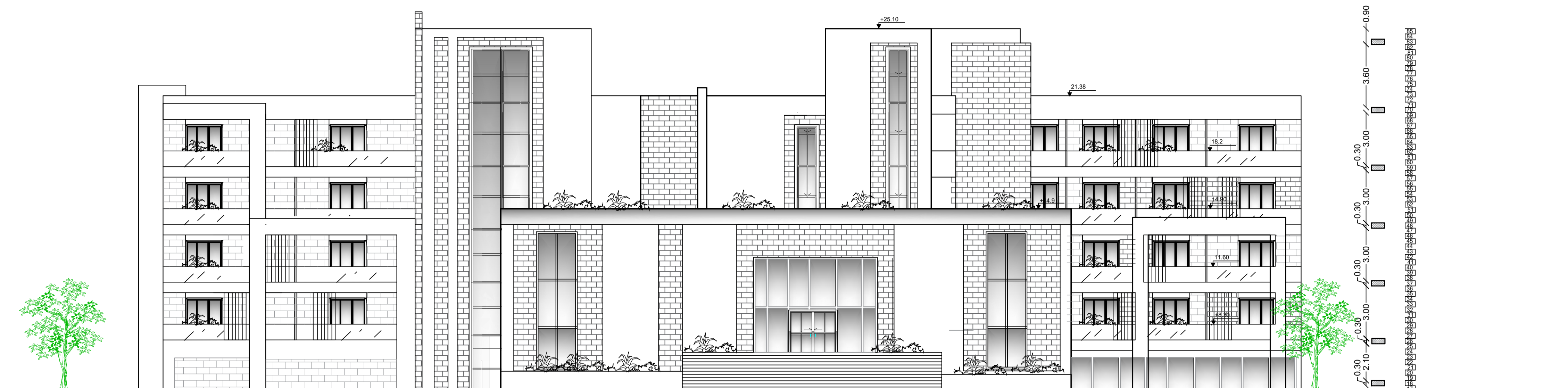
DATE

20/01/2024

A 016

Eastern Elevation

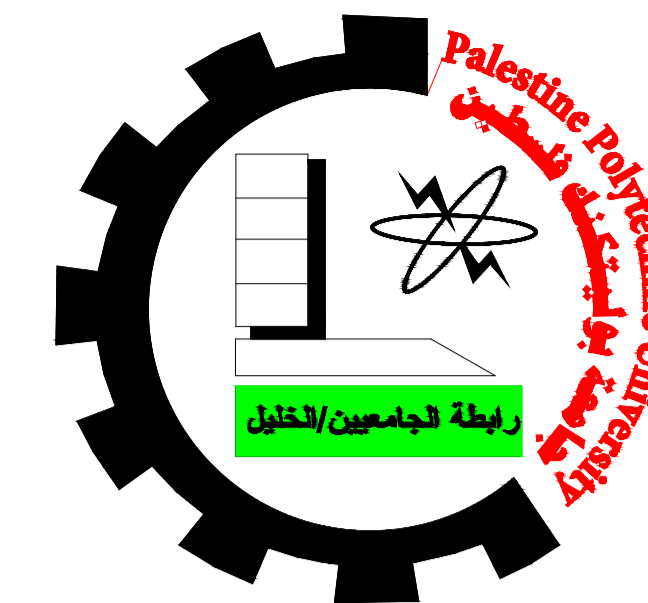
Scale: 1:150



A 016

Southern Elevation

Scale: 1:150



Palestine Polytechnic University

Engineering College

Civil Engineering Department

Building Engineering

Al Ahd - Structural Design

Graduation Project

TITLE

Elevations

SUPERVISOR

Eng. Inas Shweki

DONE BY

Ahmad Tamimi
Ismail Abu Dawod
Osama Qawasma

SCALE 1:150

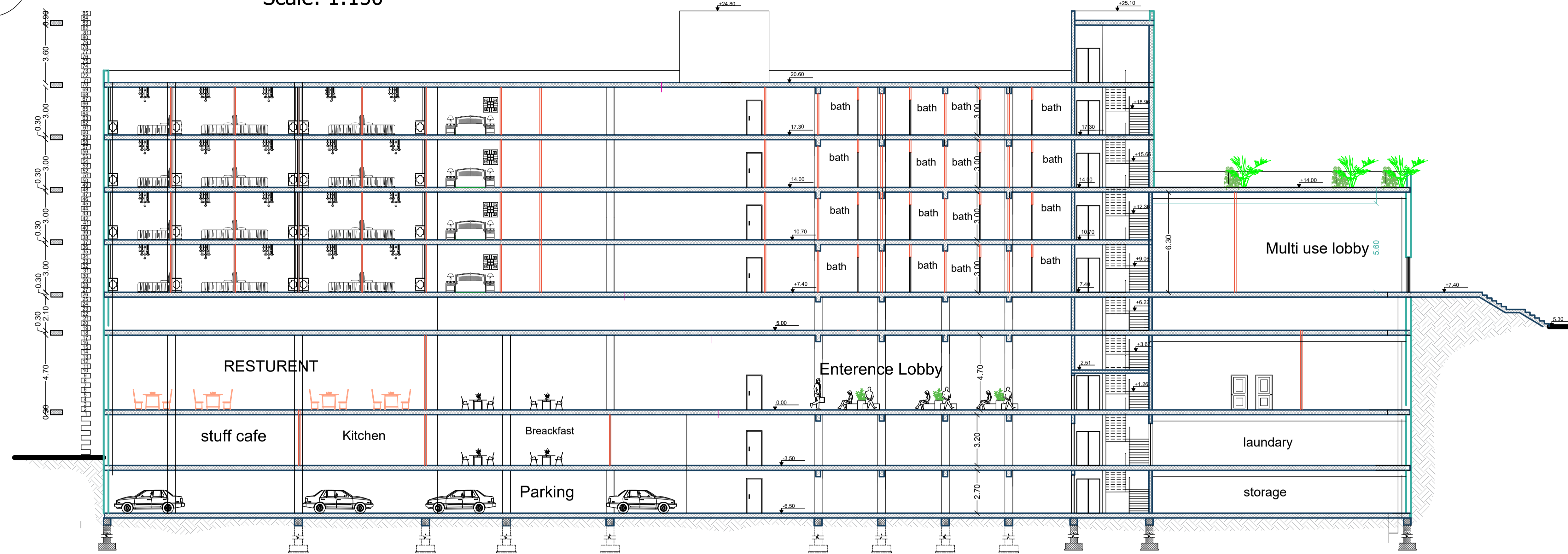
NO OF DRAW A 016

DATE 20/01/2024

A 017

SECTION A-A

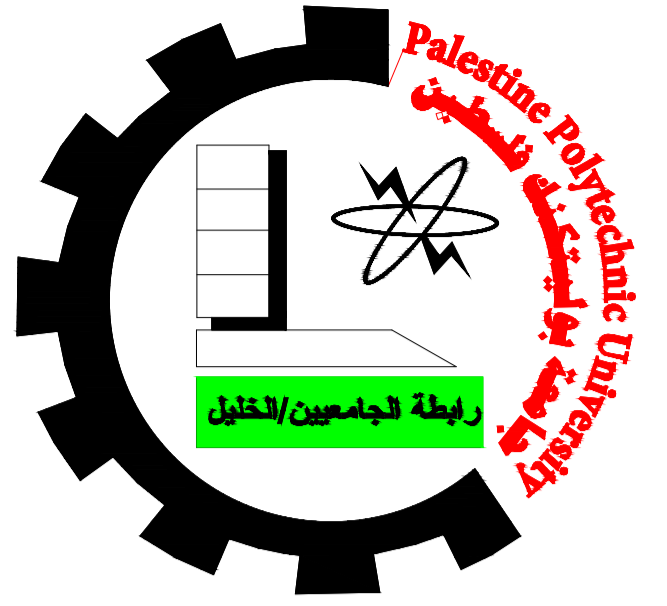
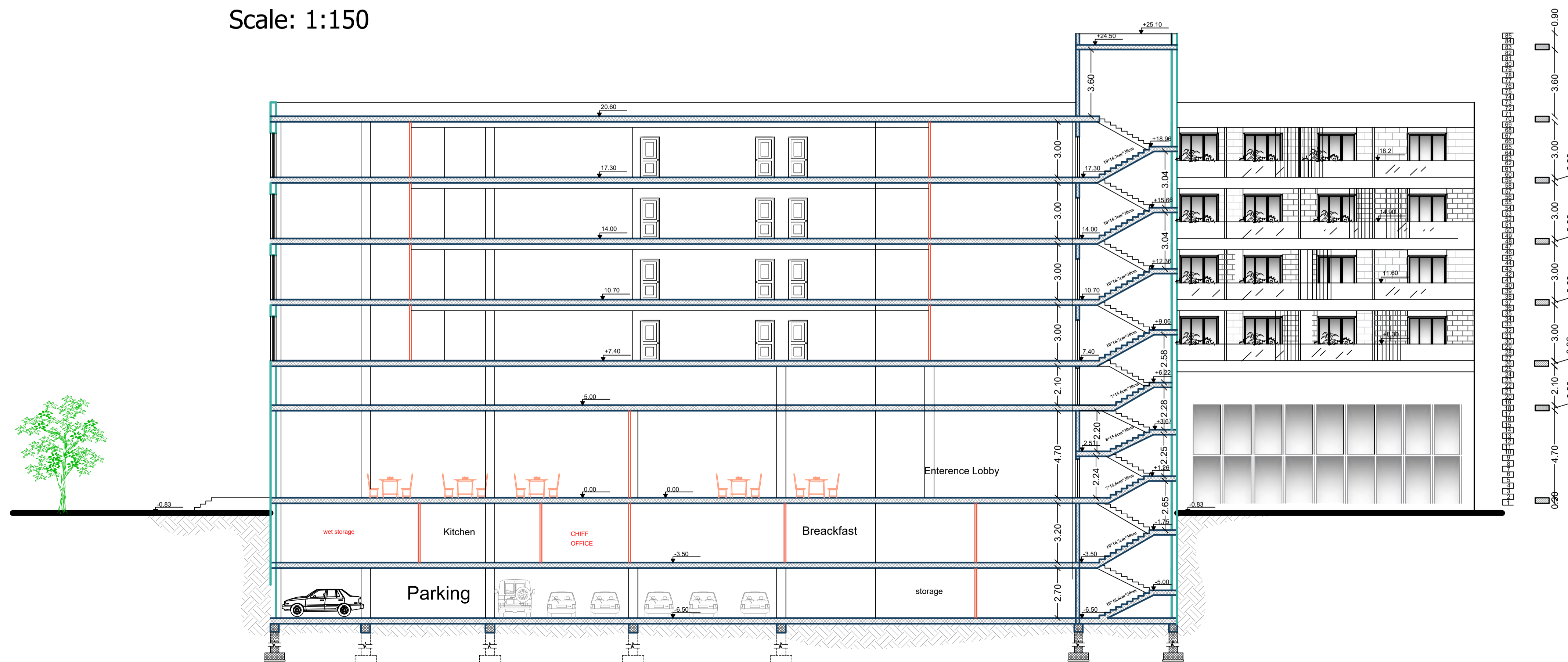
Scale: 1:150



A 017

SECTION B-B

Scale: 1:150



Palestine Polytechnic University

Engineering College

Civil Engineering Department

Building Engineering

Al Ahd - Structural Design

Graduation Project

TITLE

SECTIONS

SUPERVISOR

Eng. Inas Shweki

DONE BY

Ahmad Tamimi
Ismail Abu Dawod
Osama Qawasma

SCALE

1:150

NO OF
DRAW

A 017

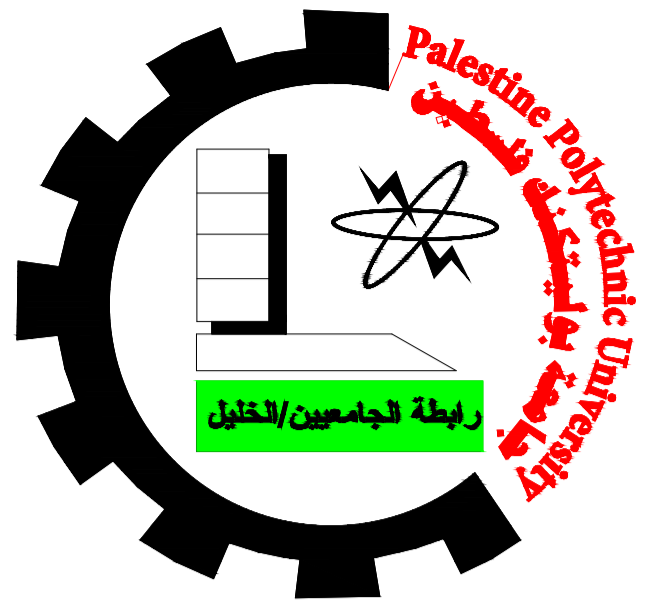
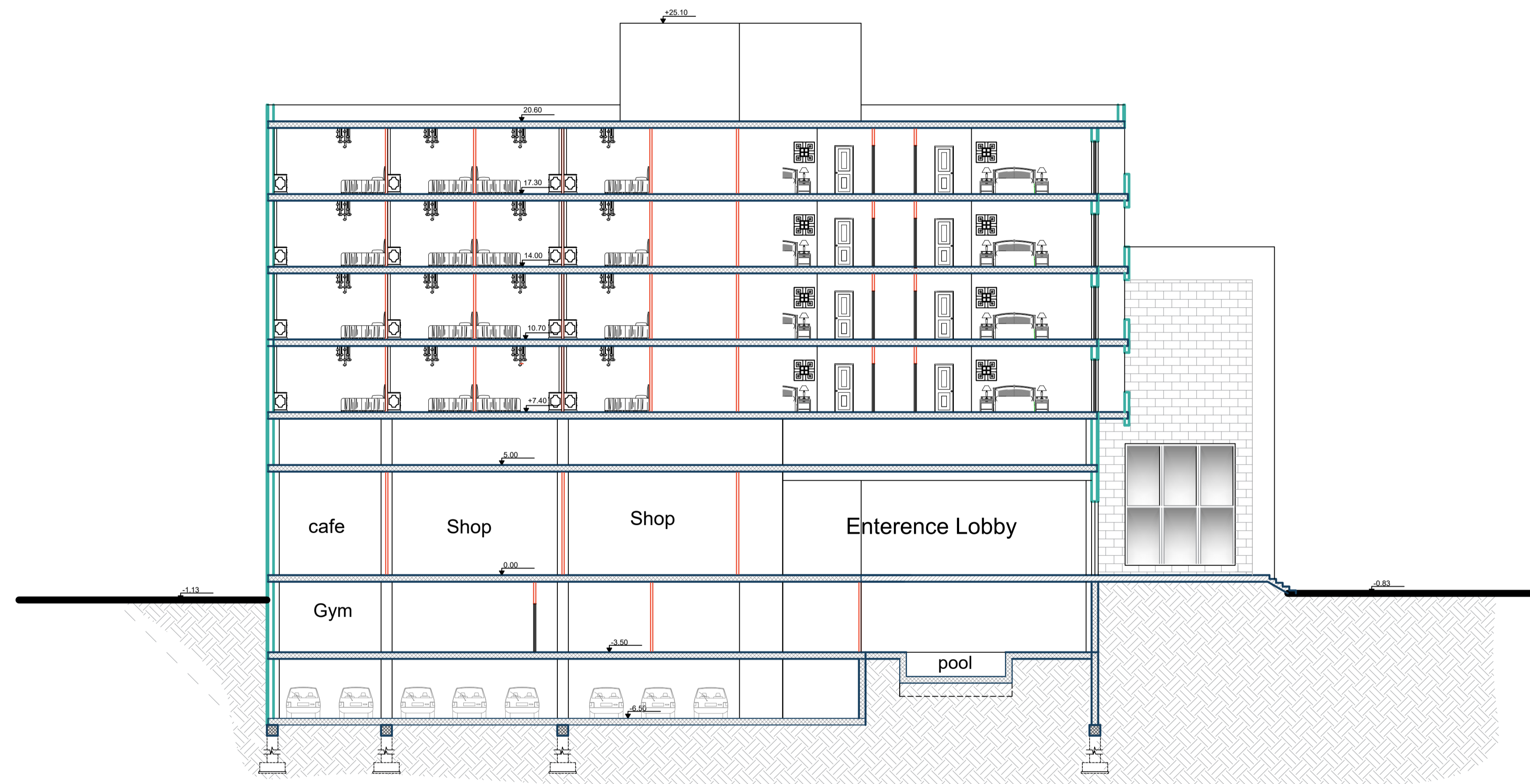
DATE

20/01/2024

A 018

SECTION C-C

Scale: 1:150



Palestine Polytechnic University

Engineering College

Civil Engineering Department

Building Engineering

Al Ahd - Structural Design

Graduation Project

TITLE

SECTION C-C

SUPERVISOR

Eng. Inas Shweki

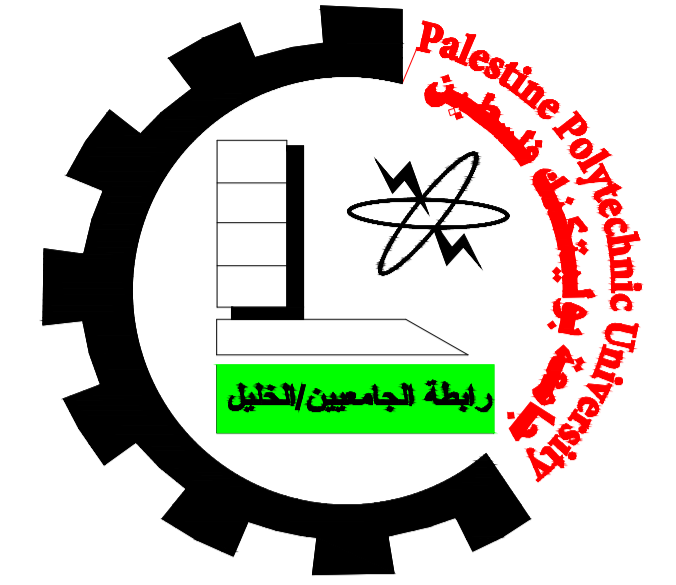
DONE BY

Ahmad Tamimi
Ismail Abu Dawod
Osama Qawasma

SCALE 1:150

NO Of DRAW A 018

DATE 20/01/2024



GENERAL NOTES

1. CODE OF PRACTICE

Detailing and workmanship shall be according to ACI318-16, and the technical specifications provided.
Approved equivalent international codes shall be accepted.
Design for concrete done according to ACI 318-16
ASCE/SEI 7-16 For the definition of lateral Seismic Loading.

2. DIMENSIONS

- GRAVITY LOADS ESTIMATION ARE IN ACCORDANCE OF JORDAN CODE
- UNLESS OTHERWISE INDICATED ON DRAWINGS ELEVATIONS ARE IN METERS, DISTANCES AND DIMENSIONS IN m., REINFORCEMENT BAR SIZES IN mm.

3. DRAWINGS

- Structural drawings shall be read in conjunction with Architectural.
- Sleeves and openings smaller than 200x200mm are not shown on the Structural drawings. For required openings refer to Architectural, Mechanical and Electrical drawings.
- Contractor shall prepare working drawings and bar bending schedules for reinforcement in a format agreed with the engineer.
- Contractor shall supply detailed drawings and calculations for all support and temporary works and propping systems as applicable and all other relevant information subject to the Engineer's approval prior to commencement of construction.

4. REINFORCEMENT

- Reinforcement shall be deformed high strength steel bars of characteristic strength of 420 Mpa complying with ASTM standards or equivalent for diameters 10mm & above.
- Reinforcement shall be deformed steel bars of characteristic strength of 420 MPa complying with ASTM standards Or equivalent for diameters 8mm & above.
- Contractor to provide bar bending schedule.
- Where bar length is not specified, longest practicable bar length shall be employed with staggered lap splices.

5. REINFORCED CONCRETE

The following two types of reinforced concrete shall be employed:

B300 - Grade 300 for Beams & Slabs & Stairs

Characteristic Strength as defined by a 150 mm cube at age of 28 days shall be:

B300 - $30 \times 0.8 = 24$ MPa (Because it is rectangular section)

Minimum cement content, per cubic meter, shall be: B300 - 300 kilograms

B350 - Grade 350 for Columns & Walls & Foundation

Characteristic Strength as defined by a 150 mm cube at age of 28 days shall be:

B350 - $35 \times 0.8 = 28$ MPa (Because it is rectangular section)

Minimum cement content, per cubic meter, shall be: B350 - 350 kilograms

6. PLAIN CONCRETE

The following type of plain concrete shall be employed:

B 200 - Grade 200 concrete of characteristic cube strength equal to 16 MPa, minimum cement content of 200 kilograms per cubic metre, and a maximum water:cement ratio of 0.50 to be used for blinding concrete under foundations.

7. AGGREGATES

Maximum aggregate size shall be 25 mm.

8. FOUNDATIONS

- Contractor shall adhere strictly to the geotechnical report for this project. He shall be responsible to determine strata characteristics at the appropriate levels:
- Allowable Bearing capacity = 450 KN/m².
- Foundations are designed for 8 floors.

9. BACK Fill

All back fill material shall conform to specifications and shall be properly tested. No back filling is permitted around.

GENERAL RULES

1. NOTATION

T.B=TOP BARS

B.B=BOTTOM BARS

S = SPACING.

∅ = DIAMETER FOR STEEL BARS.

⊙ or / = INDICATES THAT THE FOLLOWING NUMBER IS THE SPACING BETWEEN BARS.

2. COVER

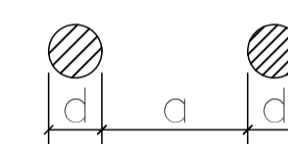
Clear concrete cover to reinforcement shall be :

20mm for ribs, slabs

40mm for Beams.

40mm for columns

3. Min. Bar Spacing



Unless otherwise shown below, sub-beam and cantilever beam shall be conformed

Bar spacing "a" shall be not less than the greatest in the following three cases:

- 25 mm
- 1.5 d
- 1.25 times the max. size of coarse aggregate.

Standard Hook Details and Bar Bends

End position				Intermediate position			
Hook details	Secondary Steel	Main Steel	Application	Hook details	Secondary Steel		
180°	D	4d	5d	 90°	D	3d	and over
	1e	12d	14d		16mm dia. bar and larger		
135°	D	4d	--	 or	D	4d	and over
	1e	12d	--		13mm dia. bar and smaller		
90°	D	4d	--	 45°	D	5d	and over
	1e	12d	--		T- and L-shape stirrups		
135°	D	4d	--	 90° 135°	D	8d	
90°	1e	8d	--		Spacer bar		
	1'e	10d	--				

Palestine Polytechnic University

Engineering College

Civil Engineering Department

Building Engineering

Al Ahd - Structural Design

Graduation Project

TITLE

General Notes

SUPERVISOR

Eng. Inas Shweki

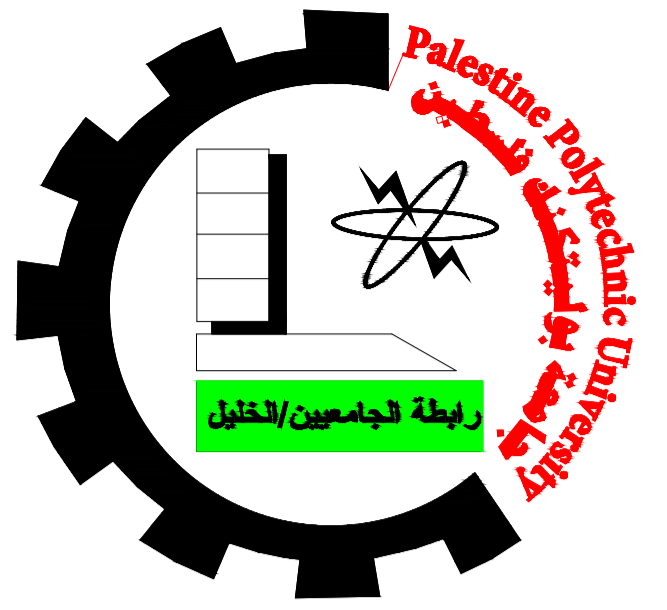
DONE BY

Ahmad Tamimi
Ismail Abu Dawod
Osama Qawasma

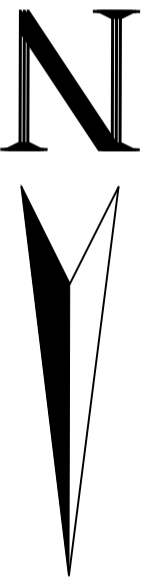
SCALE

NO OF DRAW S 000

DATE 20/01/2024



Palestine Polytechnic University
 Engineering College
 Civil Engineering Department
 Building Engineering
 Al Ahd - Structural Design
 Graduation Project



TITLE

Columns Centers

SUPERVISOR

Eng. Inas Shweki

DONE BY

Ahmad Tamimi
 Ismail Abu Dawod
 Osama Qawasma

SCALE

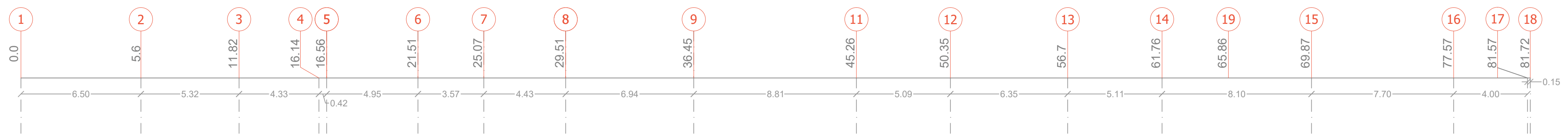
1:150

NO OF DRAW

S 101

DATE

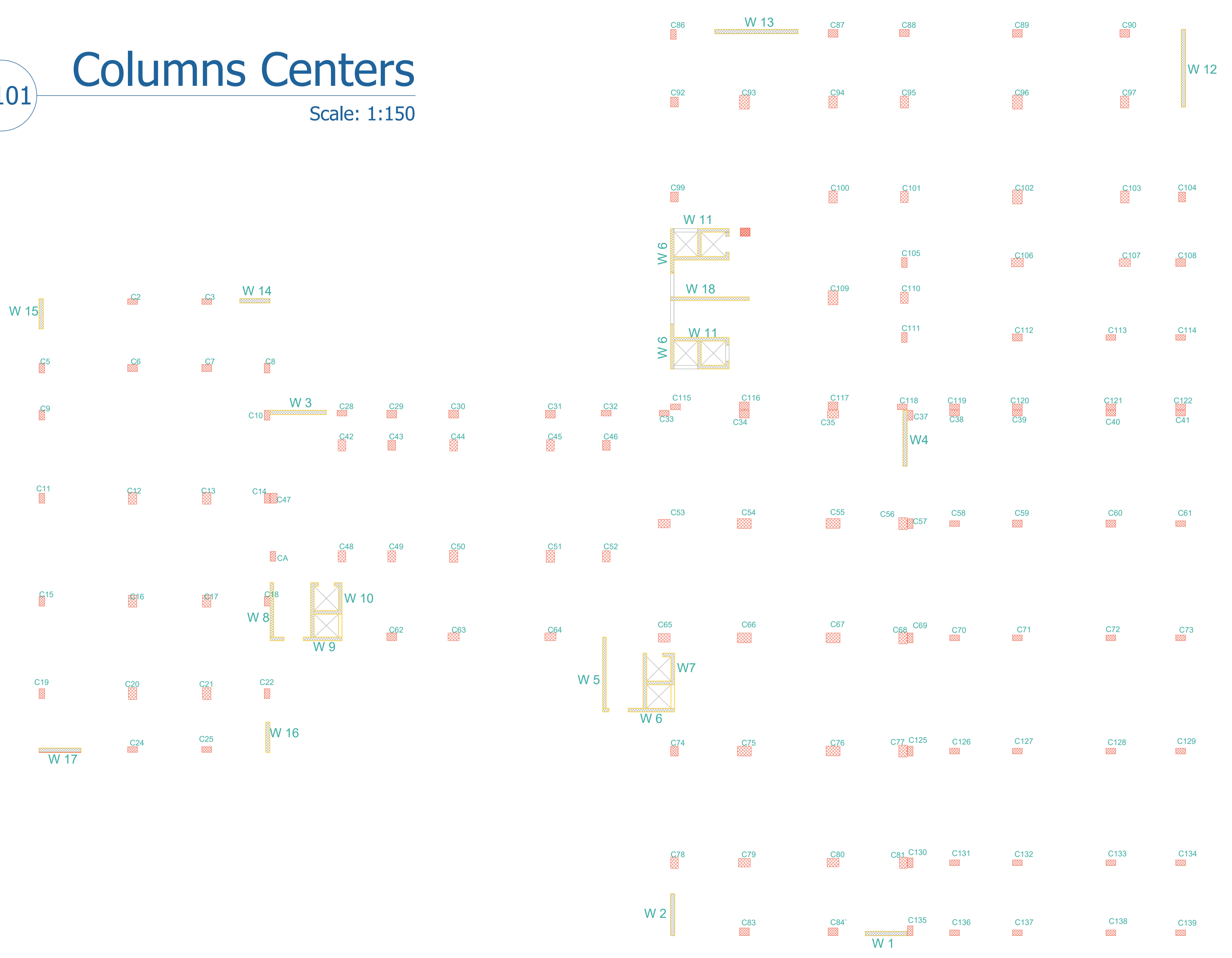
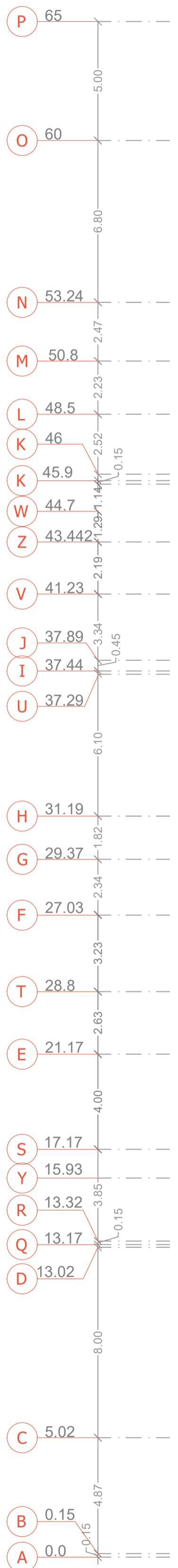
20/1/2024

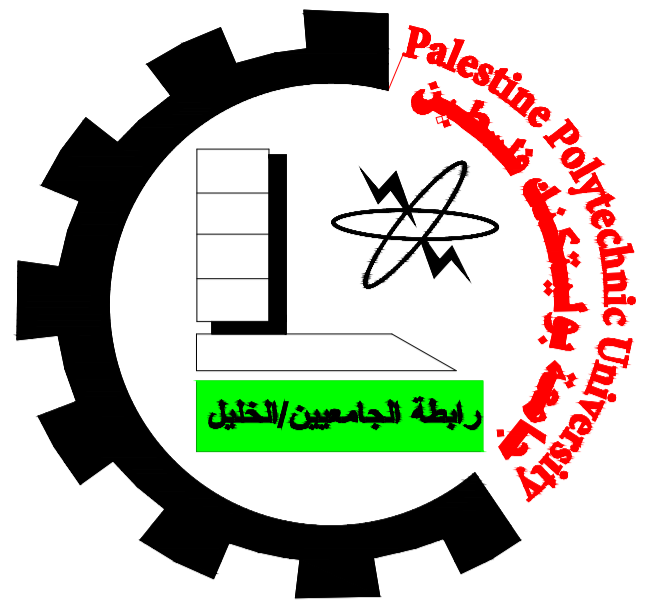


S 101

Columns Centers

Scale: 1:150





Palestine Polytechnic University

Engineering College

Civil Engineering Department

Building Engineering

Al Ahd - Structural Design

Graduation Project



TITLE

Foundation Plan

SUPERVISOR

Eng. Inas Shweki

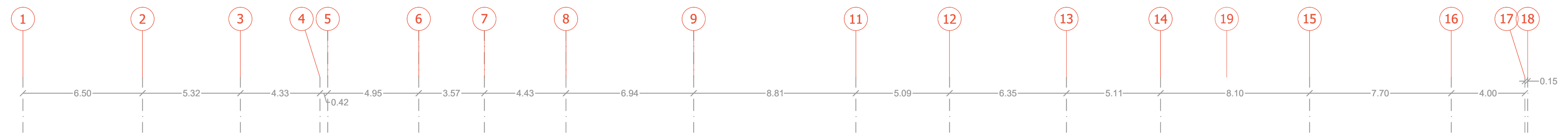
DONE BY

Ahmad Tamimi
Ismail Abu Dawod
Osama Qawasma

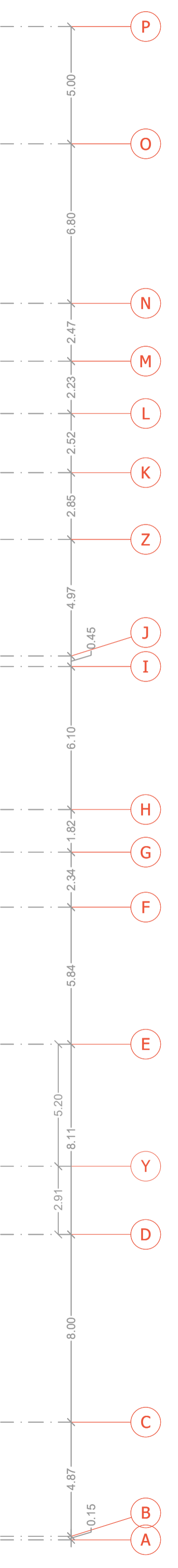
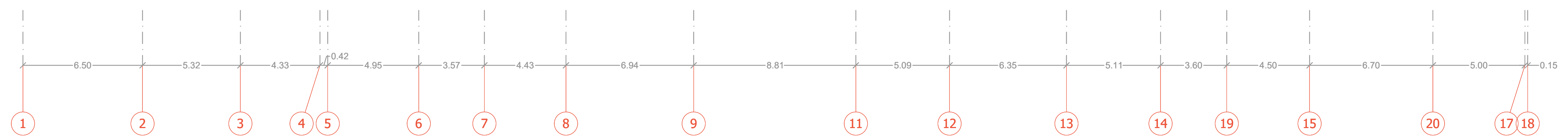
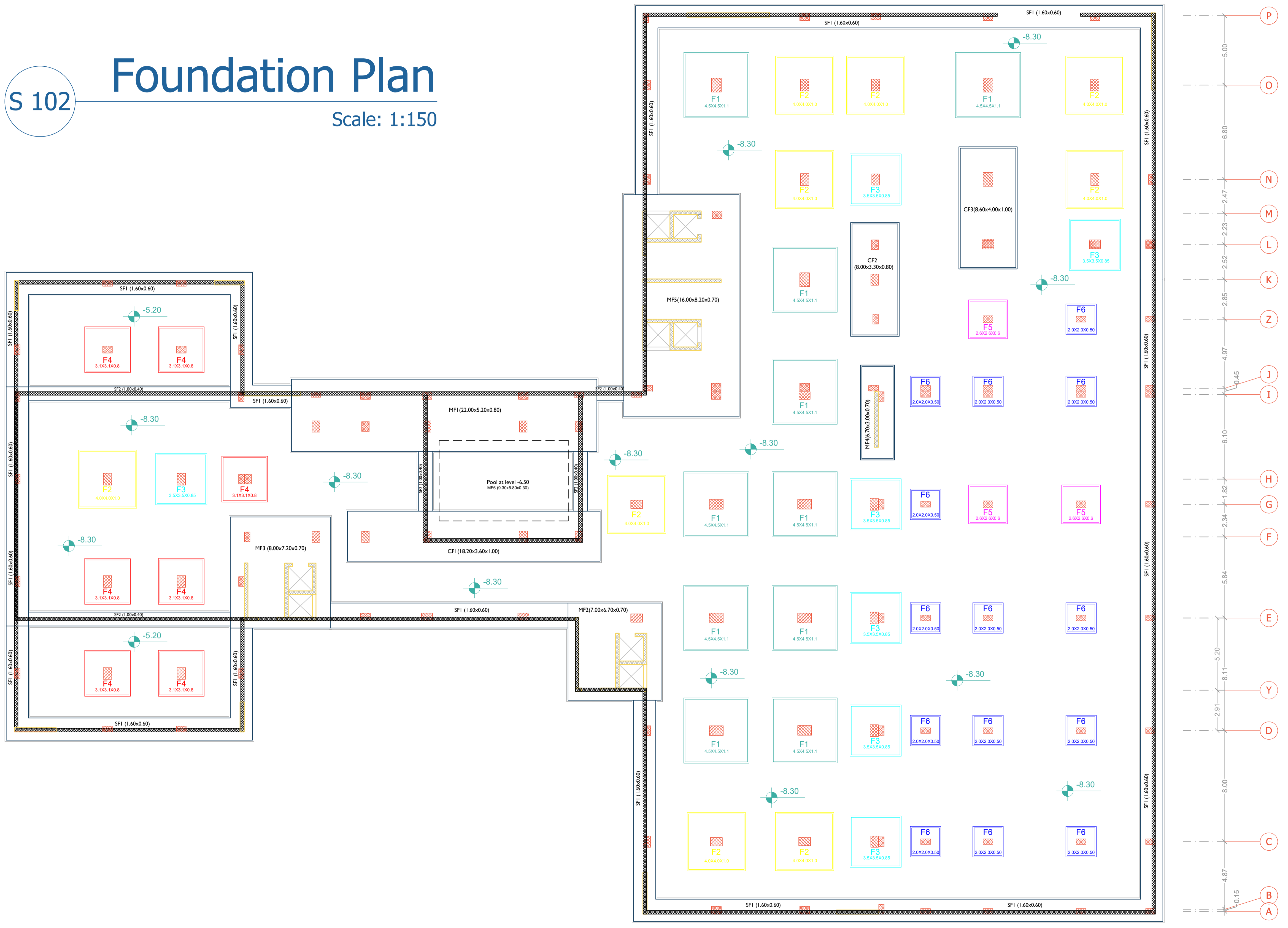
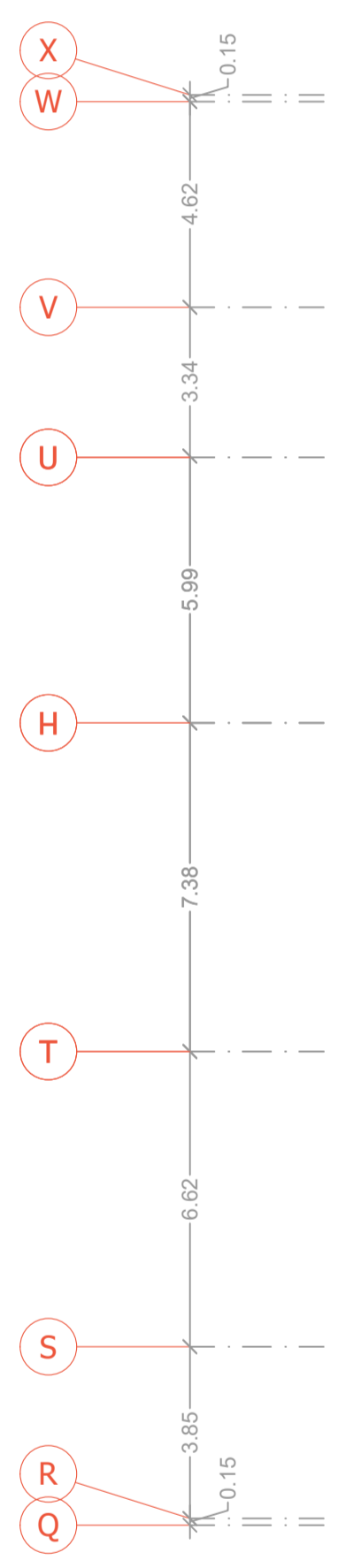
SCALE 1:150

NO OF DRAW S 102

DATE 20/1/2024



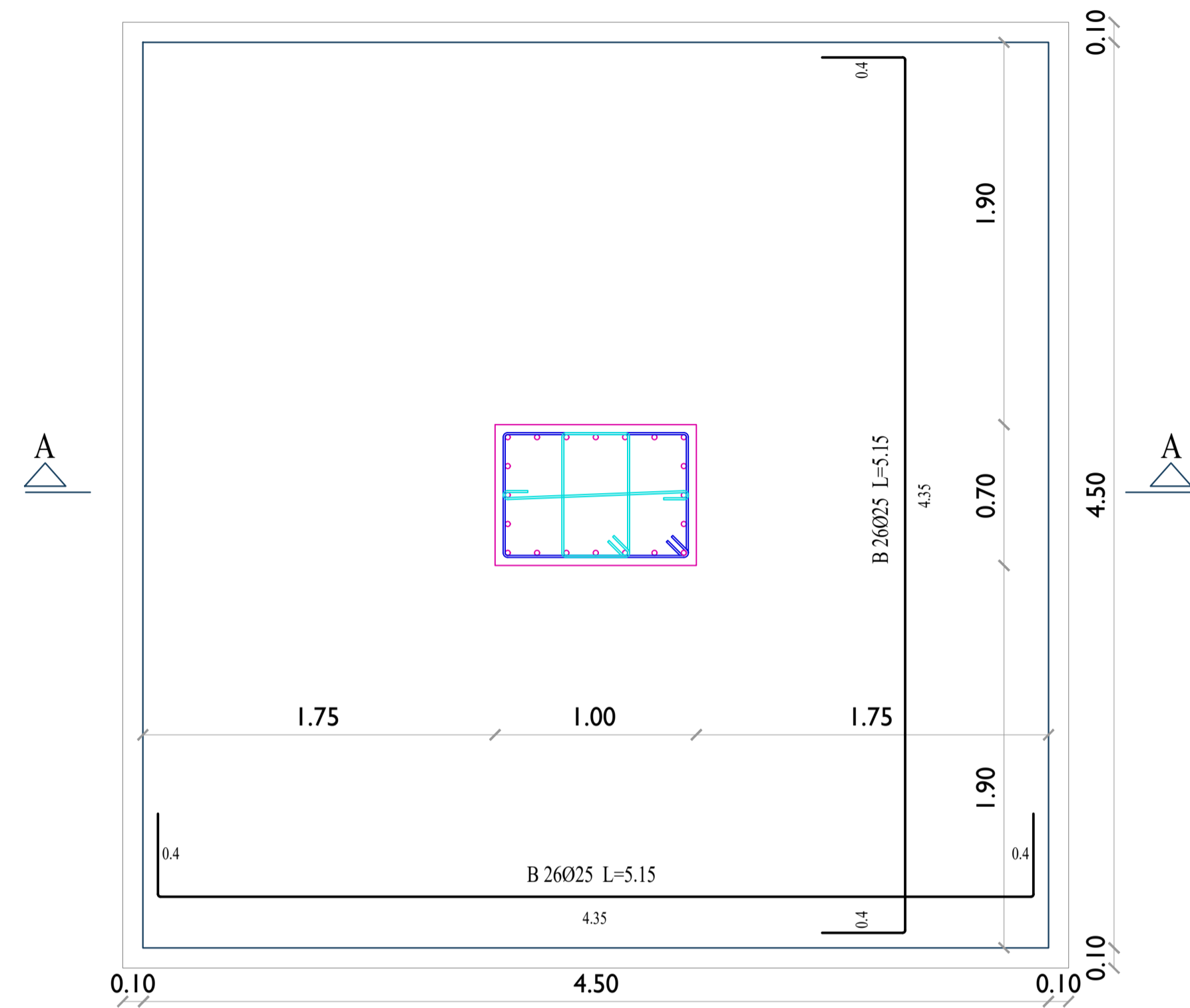
S 102 **Foundation Plan**
Scale: 1:150



S 103

Footing - F1

F1 (4.50x4.50x1.10) - Scale: 1:25

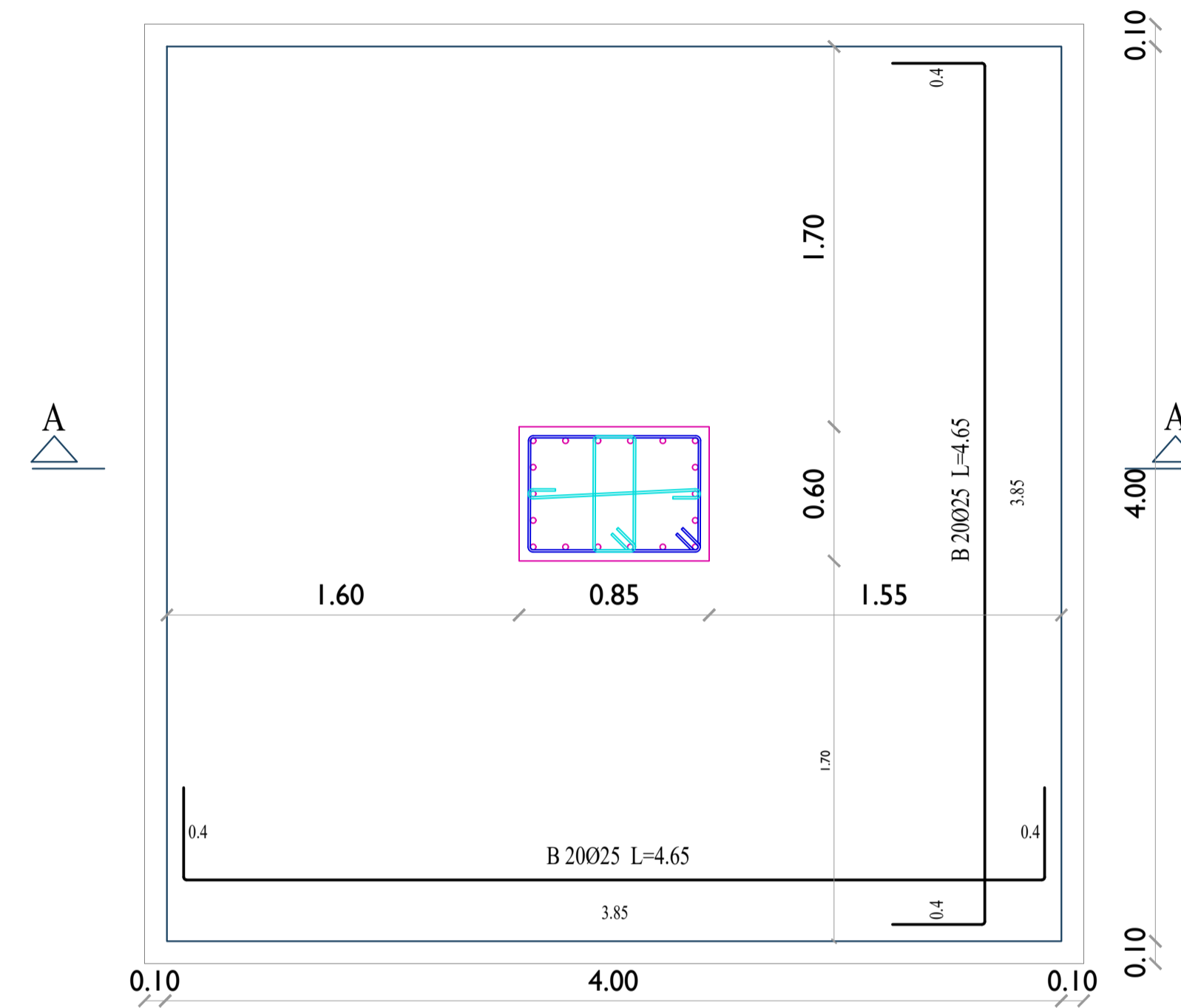


F1 (450X450X110) cm

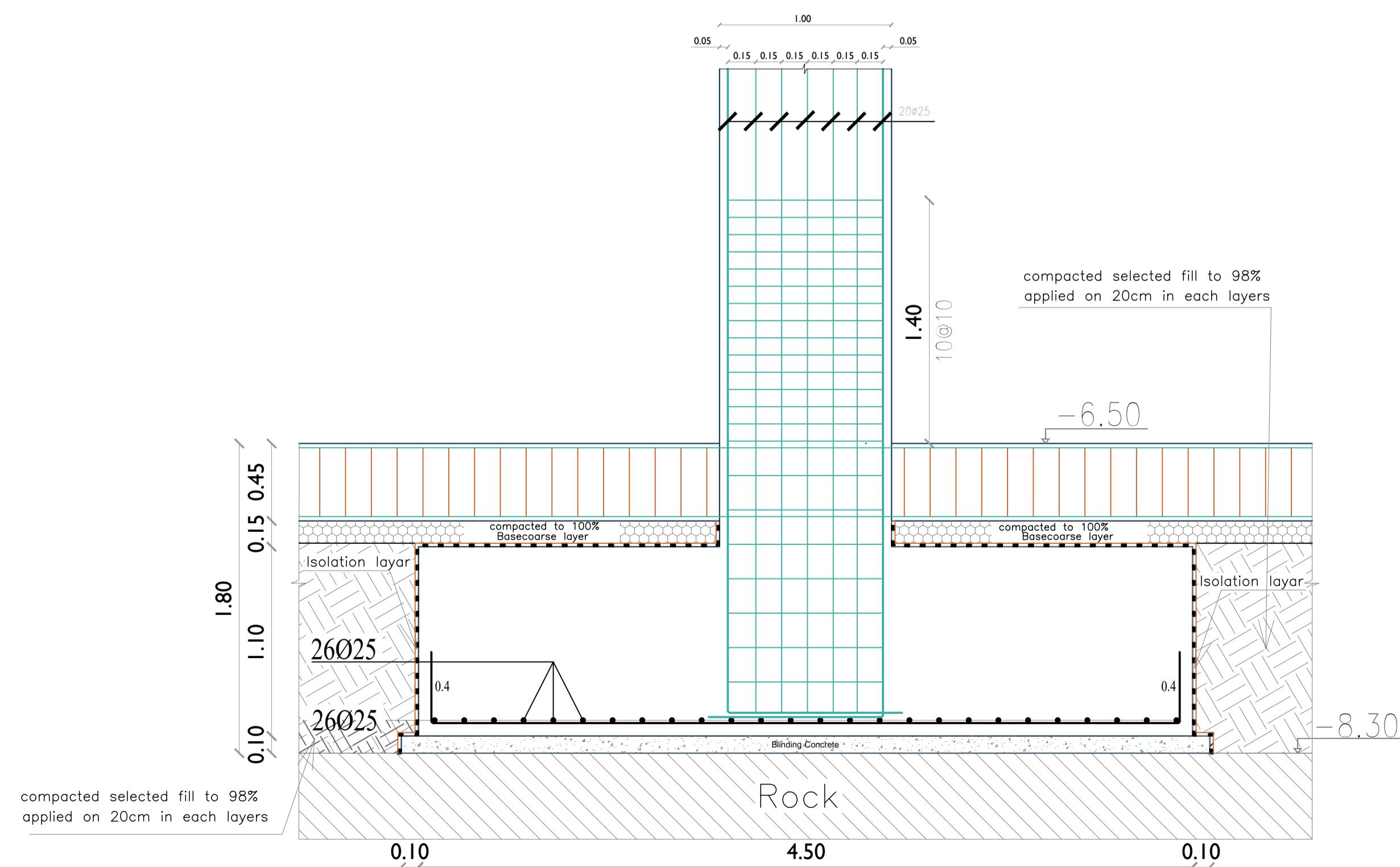
S 103

Footing - F2

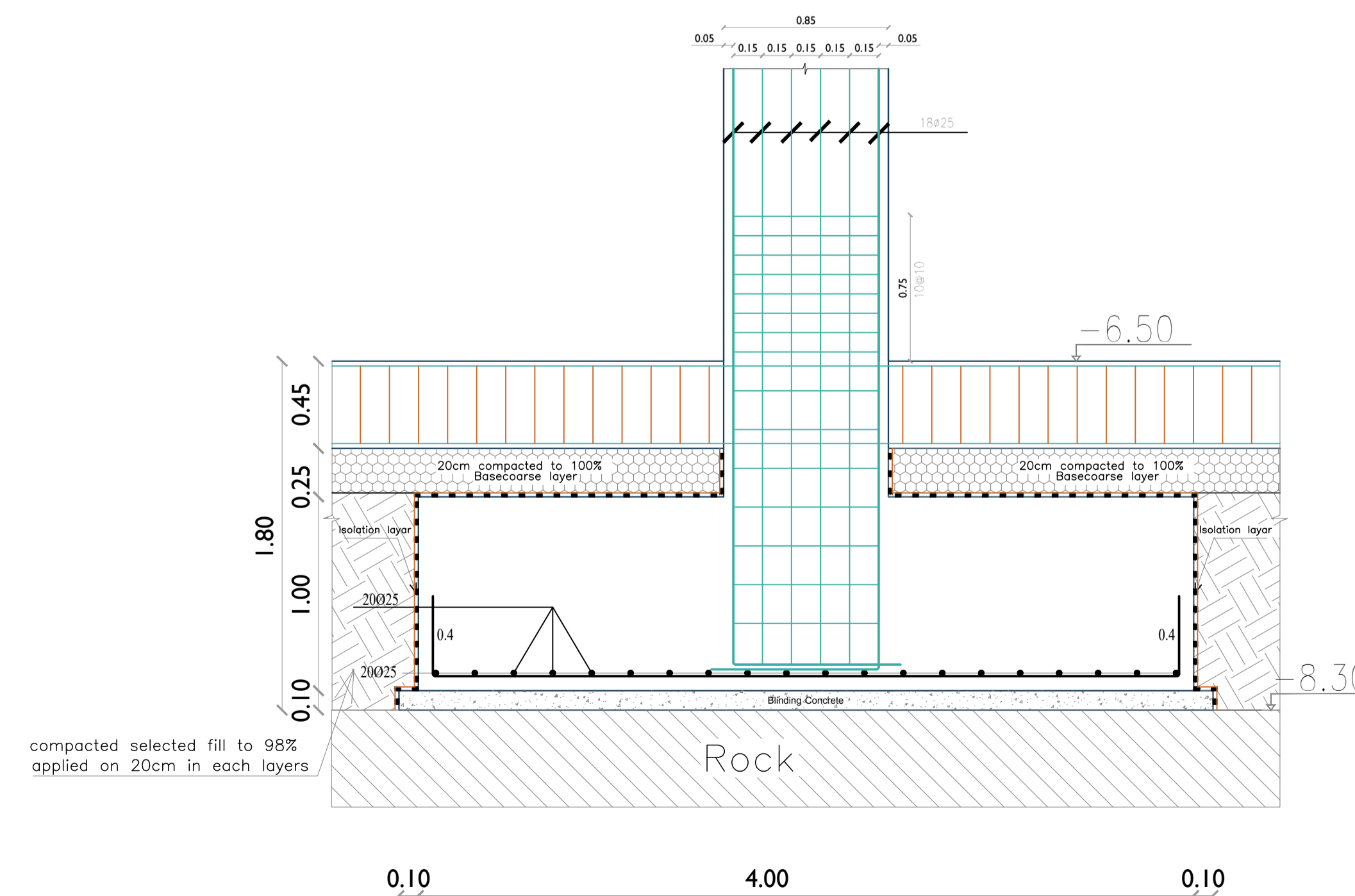
F2 (4.00x4.00x1.00) - Scale: 1:25



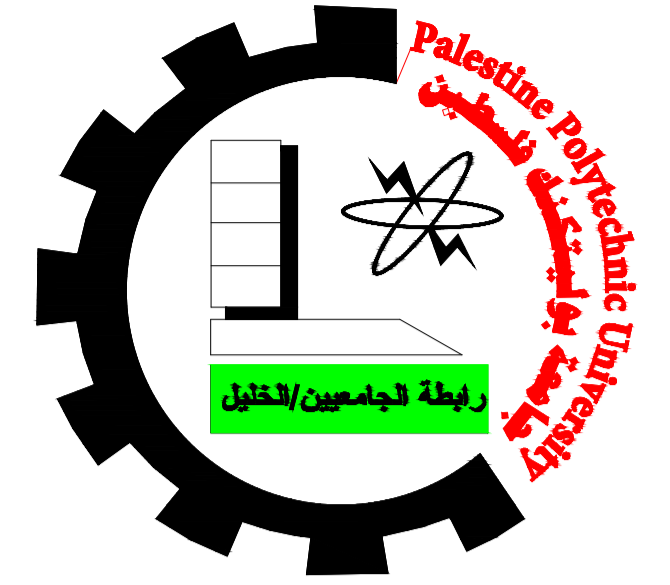
F2 (400X400X100) cm



Section (A-A) in F1 (450X450X110) cm



Section (A-A) in F2 (400X400X100) cm



Palestine Polytechnic University

Engineering College

Civil Engineering Department

Building Engineering

Al Ahd - Structural Design

Graduation Project

TITLE

Isolated Footing

SUPERVISOR

Eng. Inas Shweki

DONE BY

Ahmad Tamimi
Ismail Abu Dawod
Osama Qawasma

SCALE 1:25

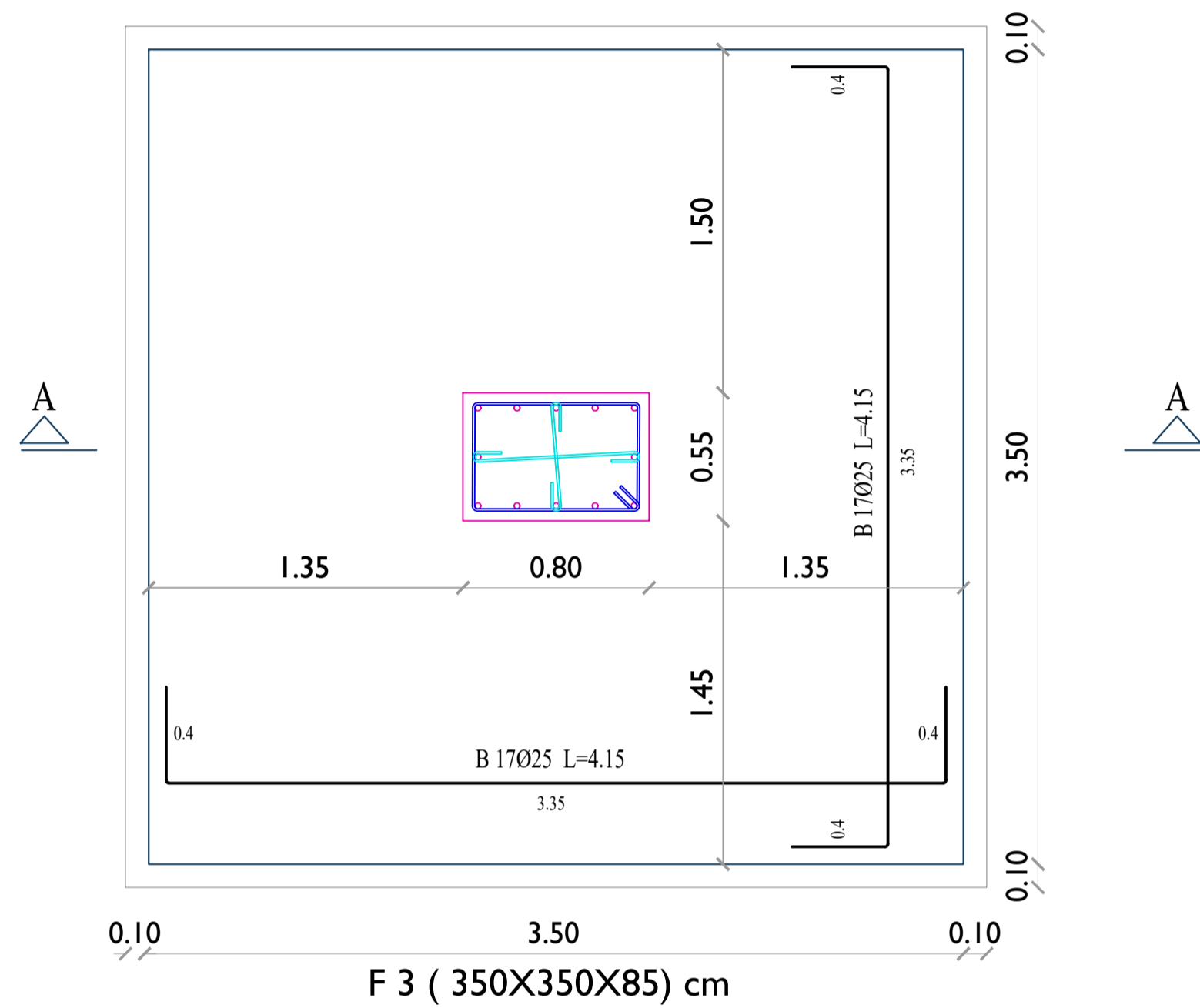
NO OF DRAW S 103

DATE 20/01/2024

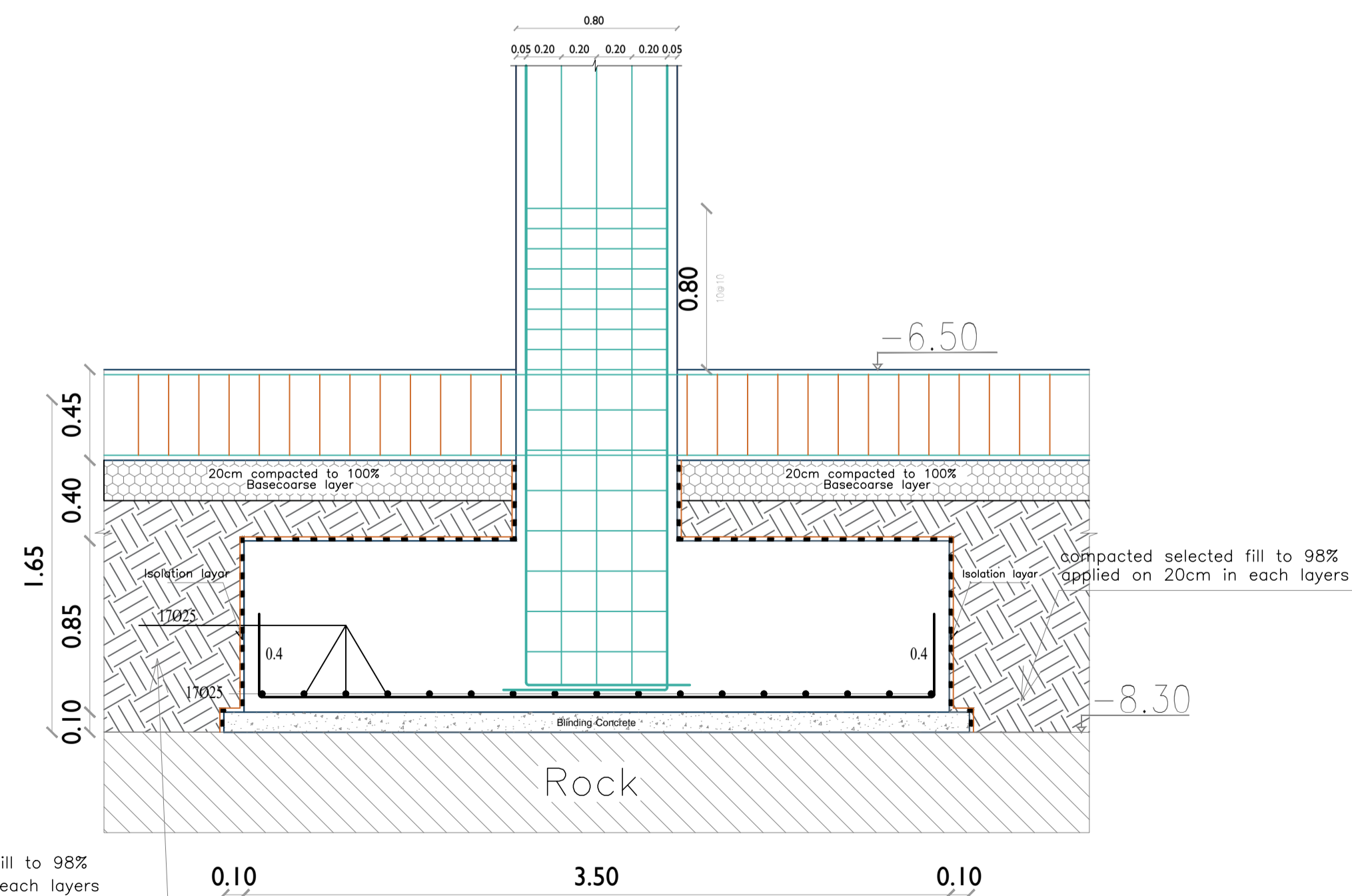
S 104

Footing - F3

F3 (3.50x3.50x0.85) - Scale: 1:25



F 3 (350X350X85) cm

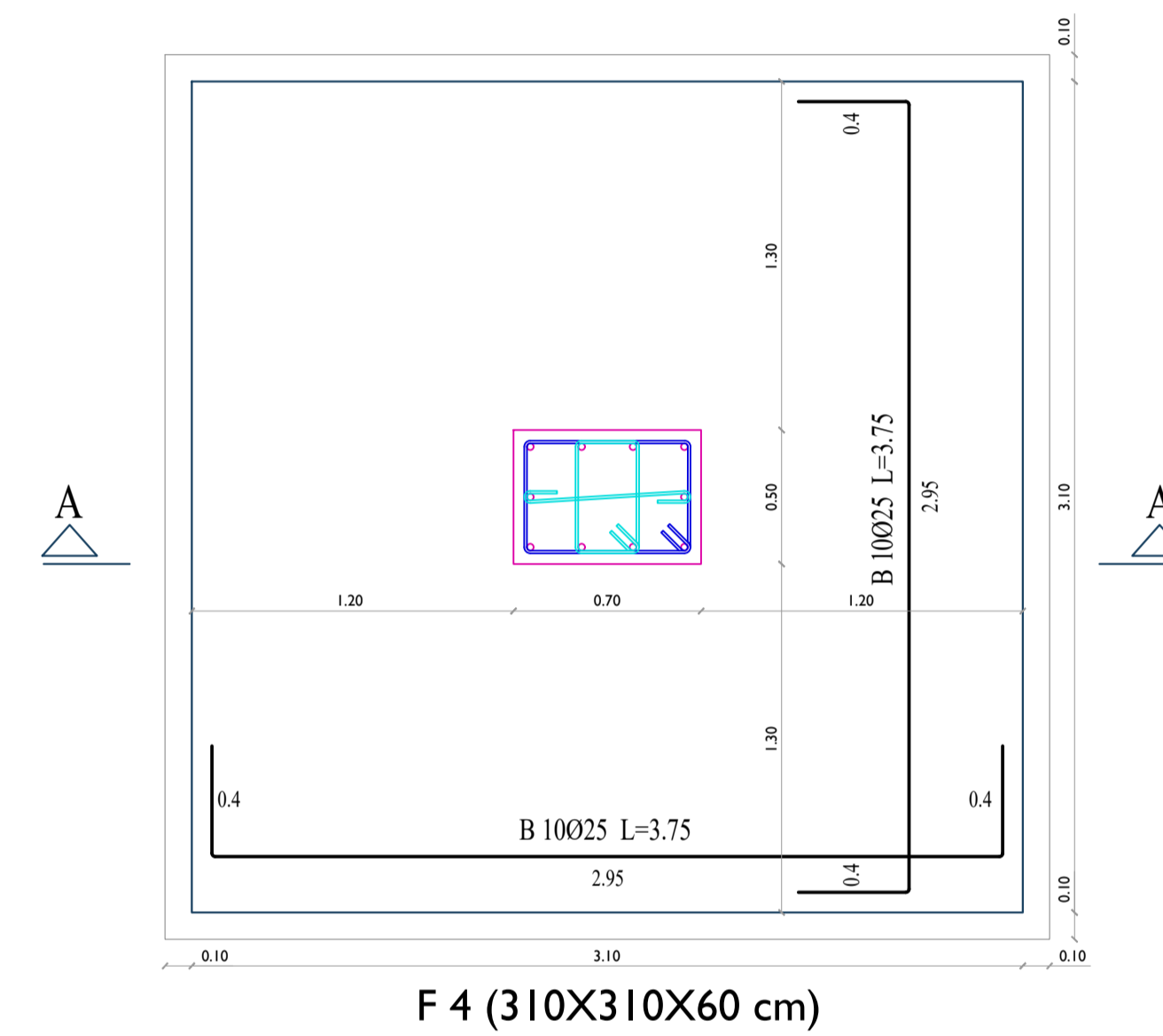


Section (A-A) in F 3 (350X350X85) cm

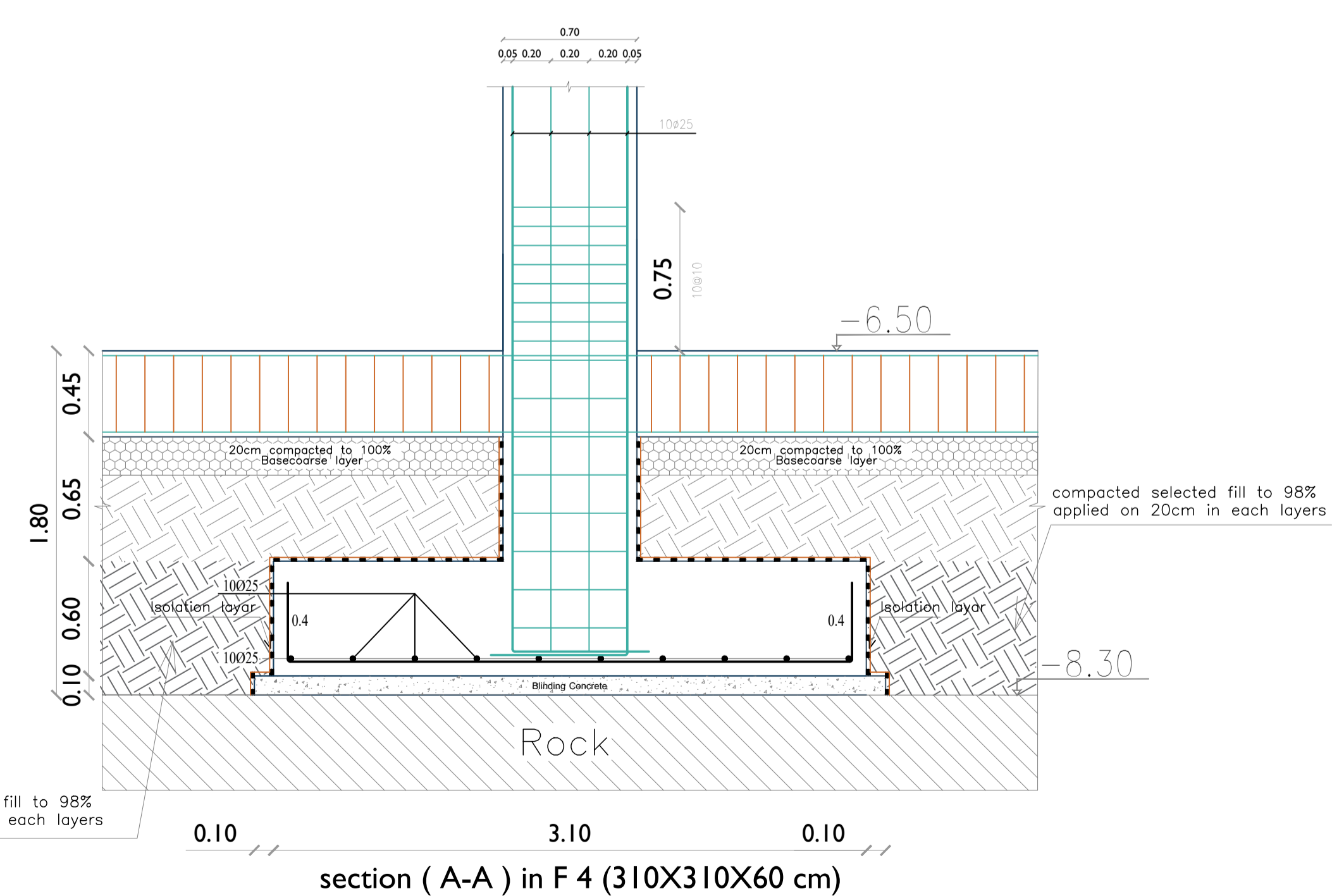
S 104

Footing - F4

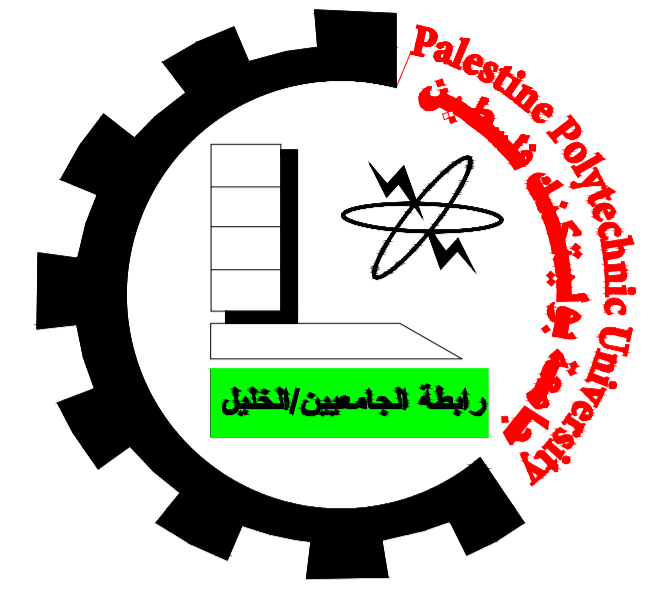
F4 (3.10x3.10x0.60) - Scale: 1:25



F 4 (310X310X60) cm



section (A-A) in F 4 (310X310X60) cm



Palestine Polytechnic University

Engineering College

Civil Engineering Department

Building Engineering

Al Ahd - Structural Design

Graduation Project

TITLE

Isolated Footing

SUPERVISOR

Eng. Inas Shweki

DONE BY

Ahmad Tamimi
Ismail Abu Dawod
Osama Qawasma

SCALE 1:25

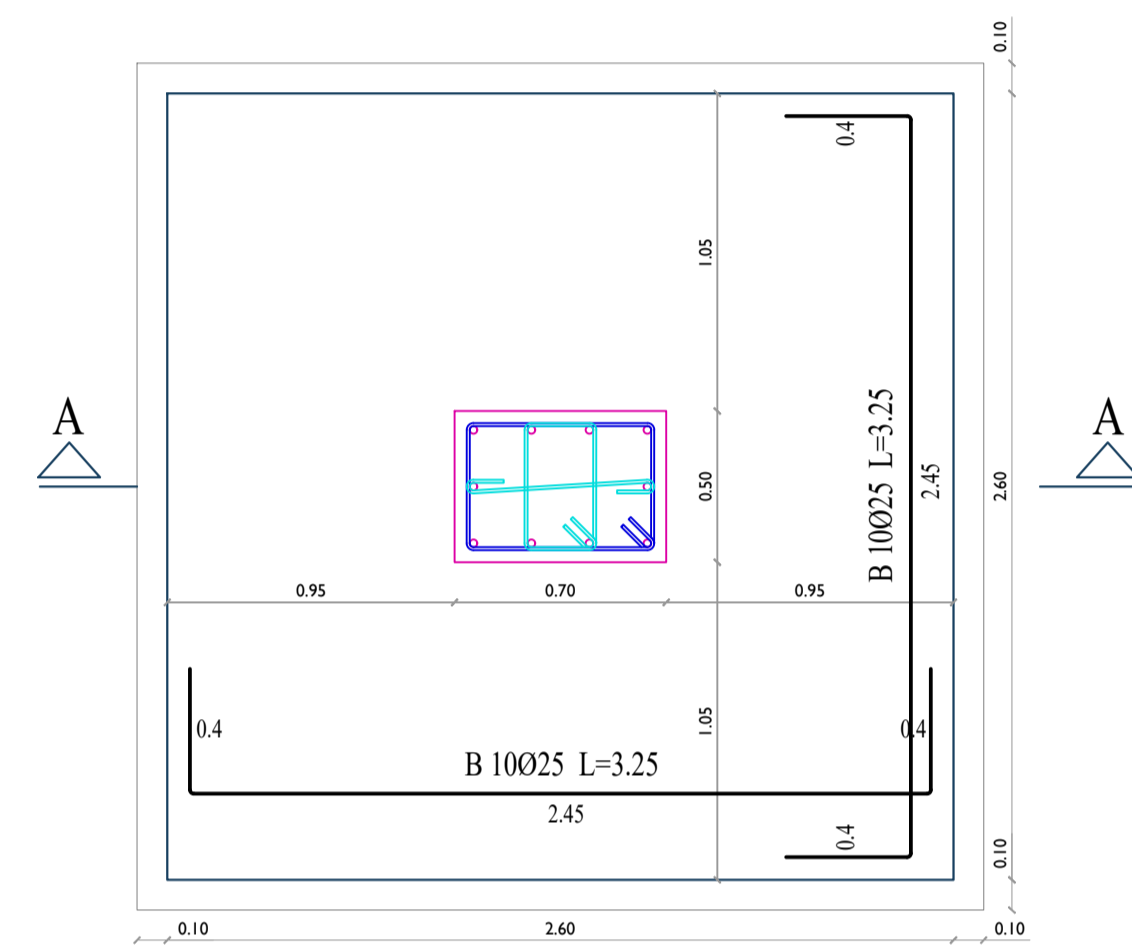
NO OF DRAW S 104

DATE 20/01/2024

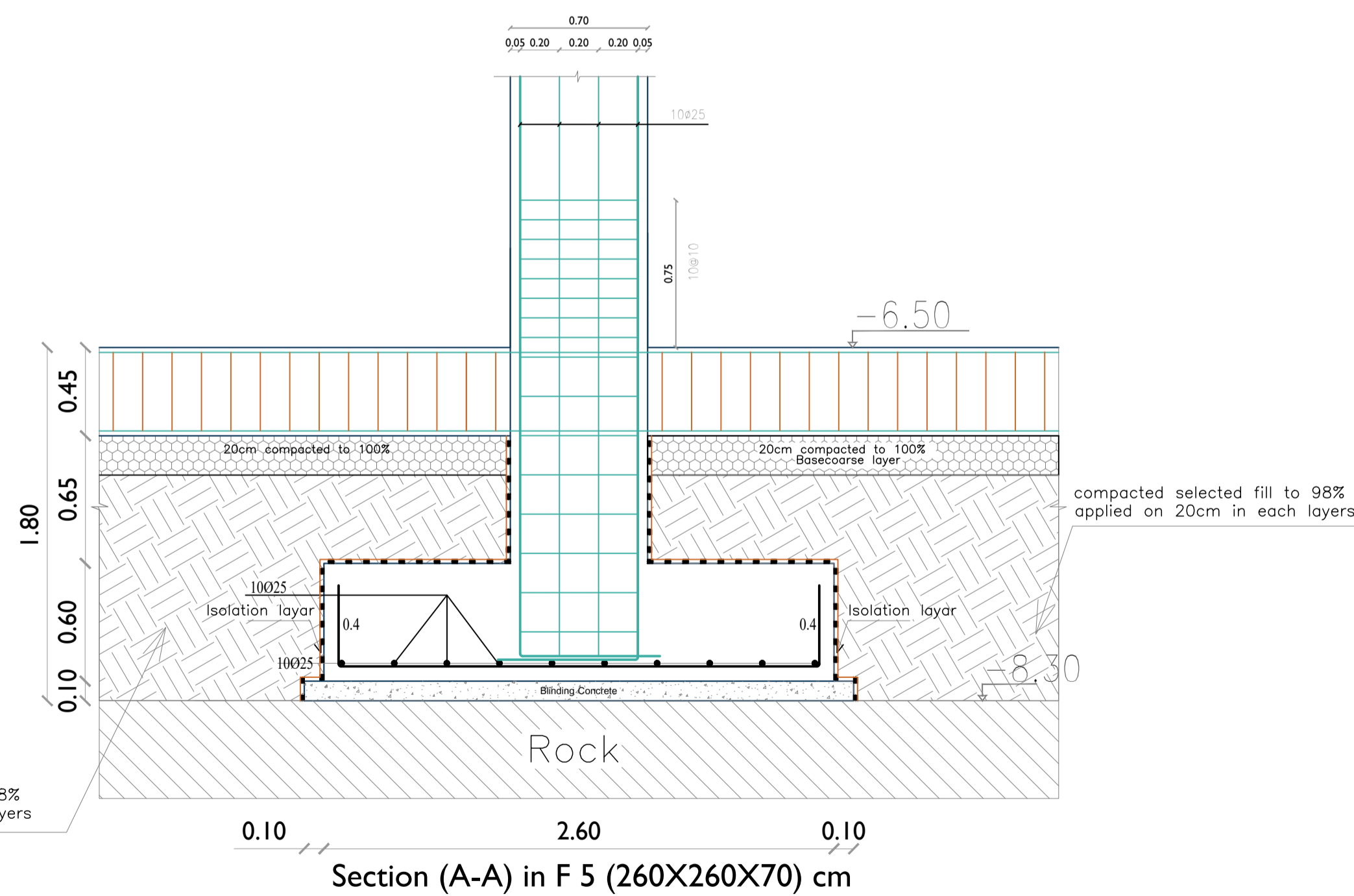
S 105

Footing - F5

F5 (2.60x2.60x0.60) - Scale: 1:25



Horizontal section in footing F 5 (260X260X60) cm

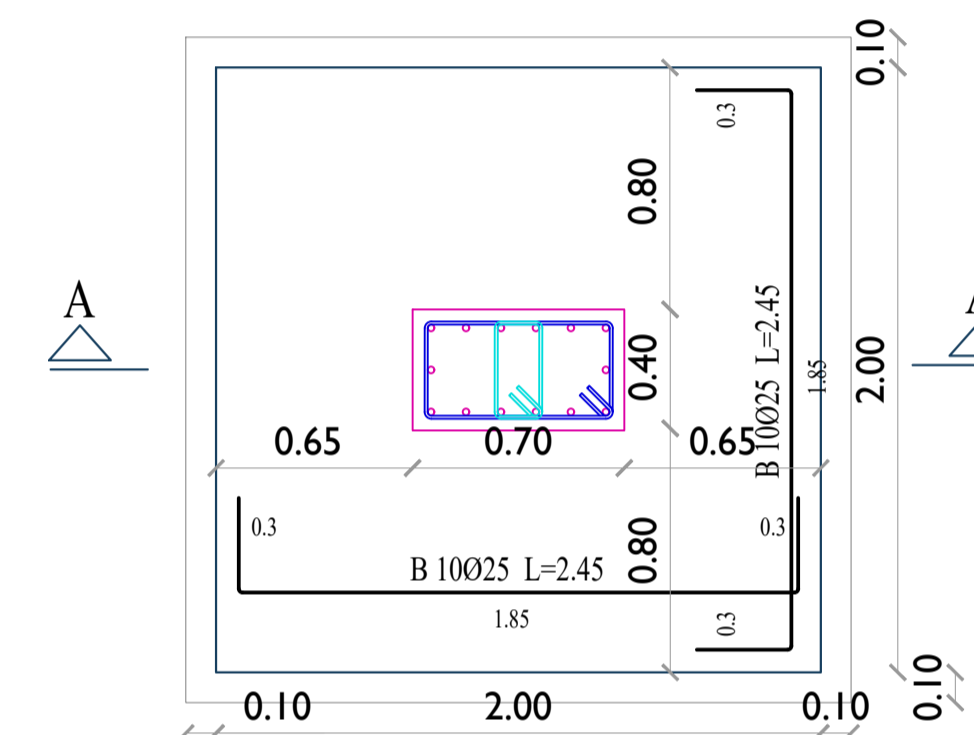


Section (A-A) in F 5 (260X260X70) cm

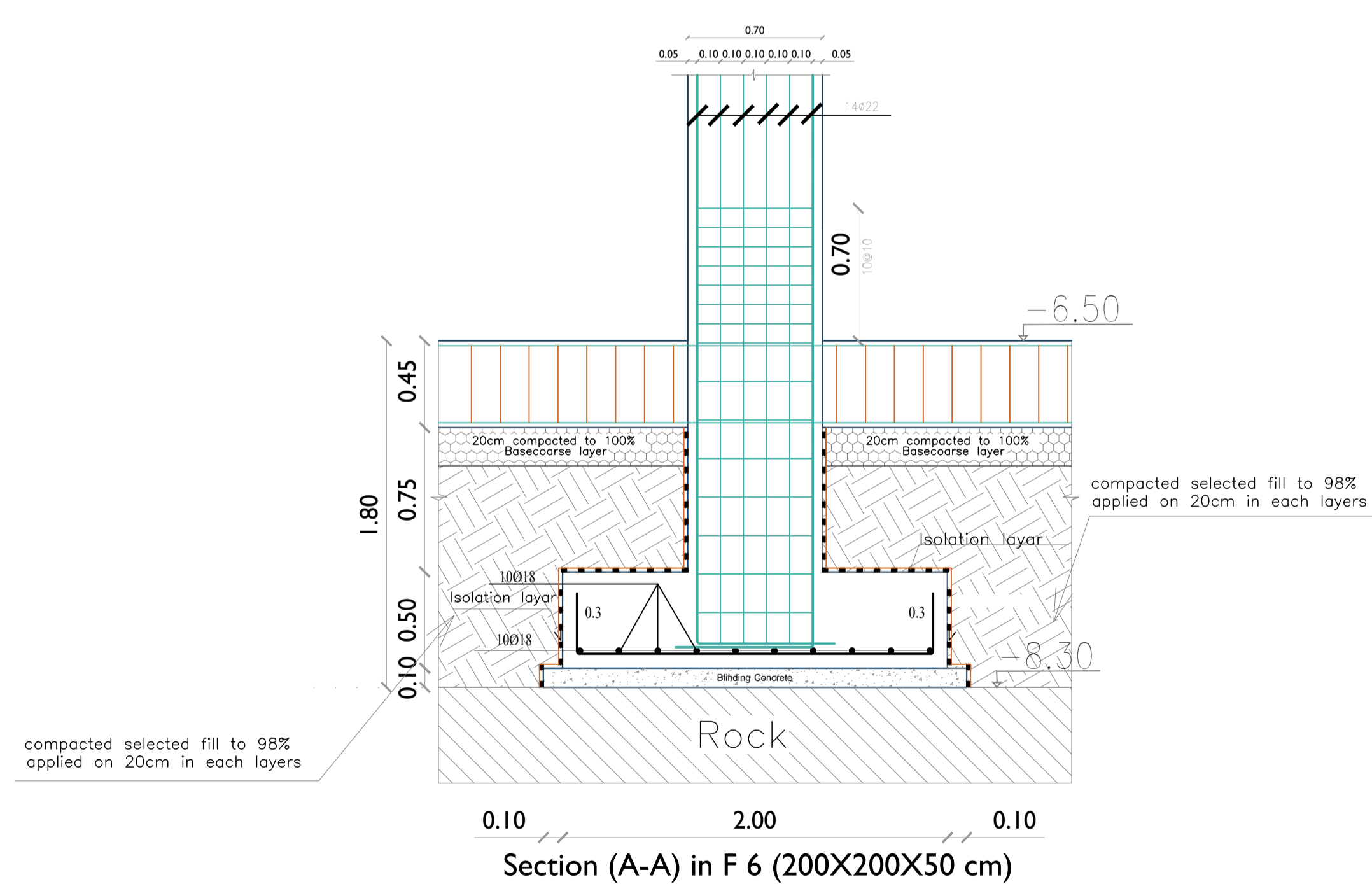
S 105

Footing - F6

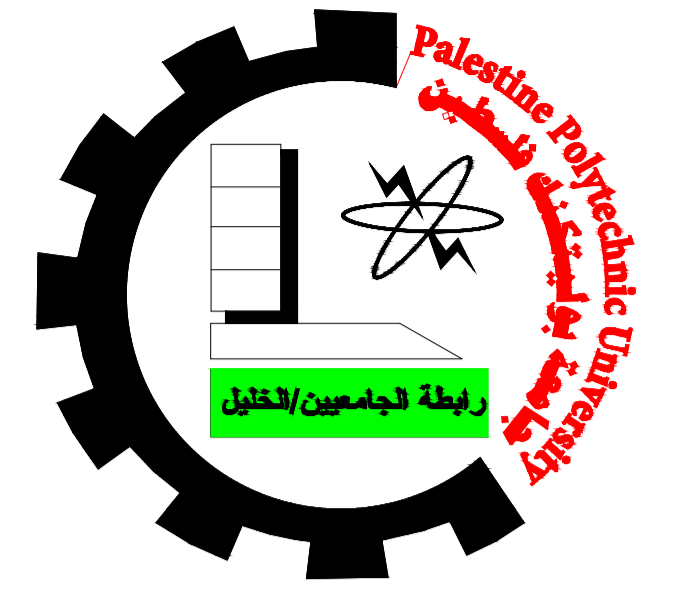
F6 (2.00x2.00x0.50) - Scale: 1:25



Horizontal section in footing F 6 (200X200X50) cm



Section (A-A) in F 6 (200X200X50) cm



Palestine Polytechnic University

Engineering College

Civil Engineering Department

Building Engineering

Al Ahd - Structural Design

Graduation Project

TITLE

Isolated Footing

SUPERVISOR

Eng. Inas Shweki

DONE BY

Ahmad Tamimi
Ismail Abu Dawod
Osama Qawasma

SCALE 1:25

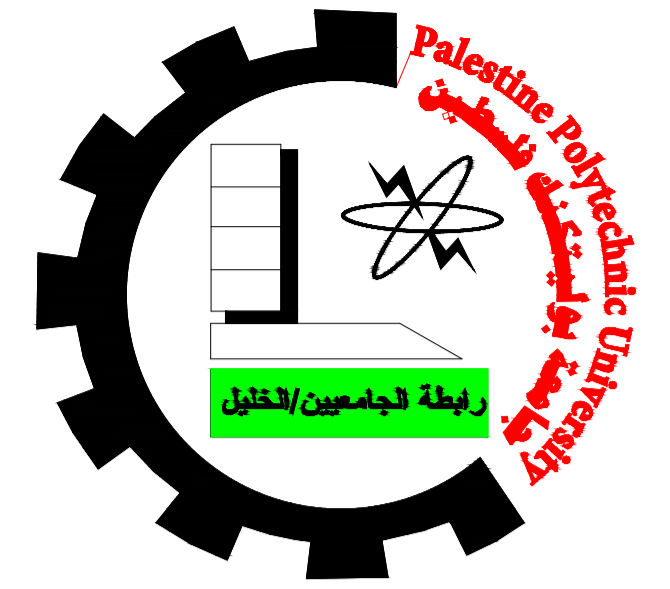
NO OF DRAW S 105

DATE 20/01/2024

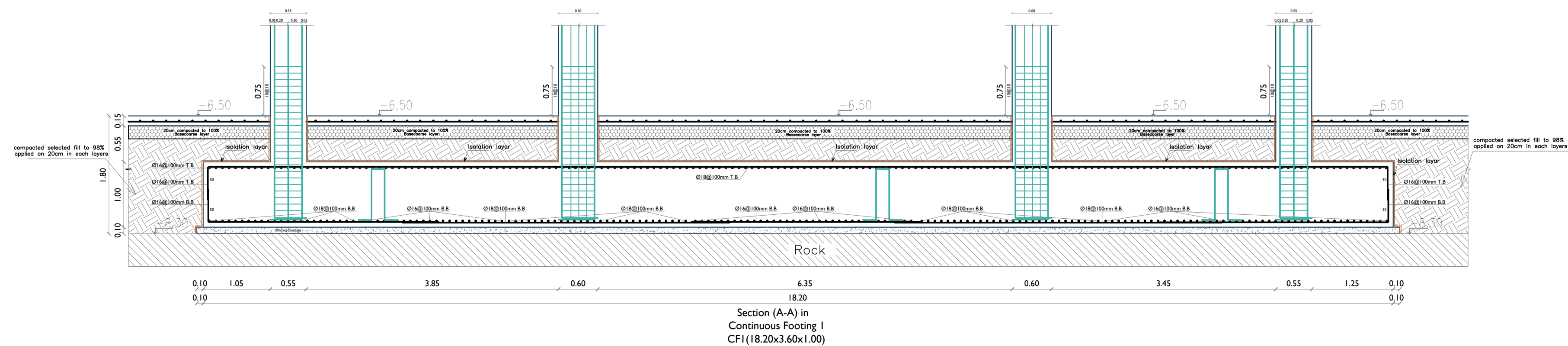
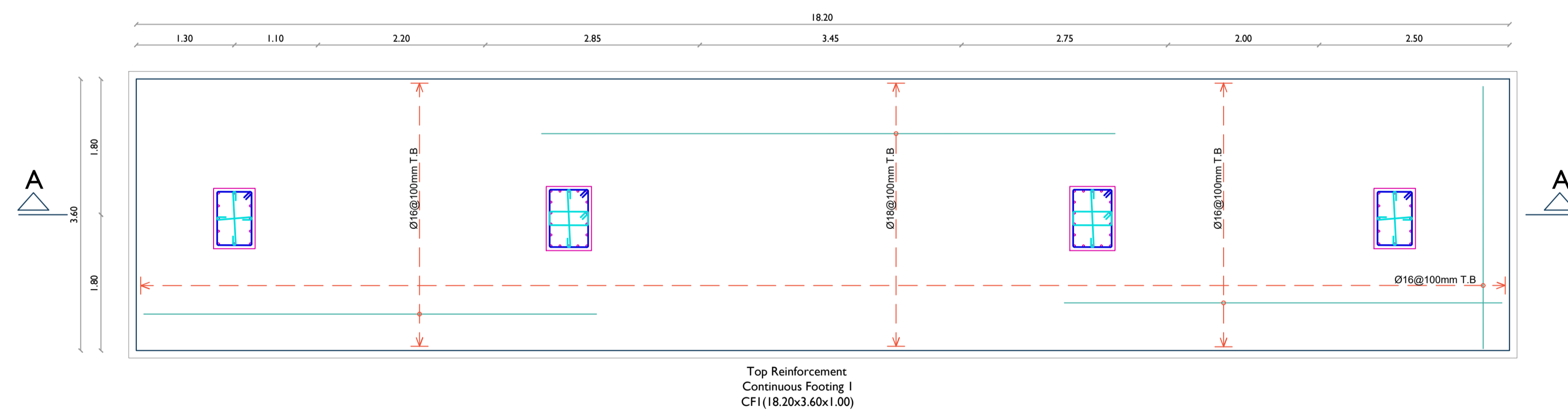
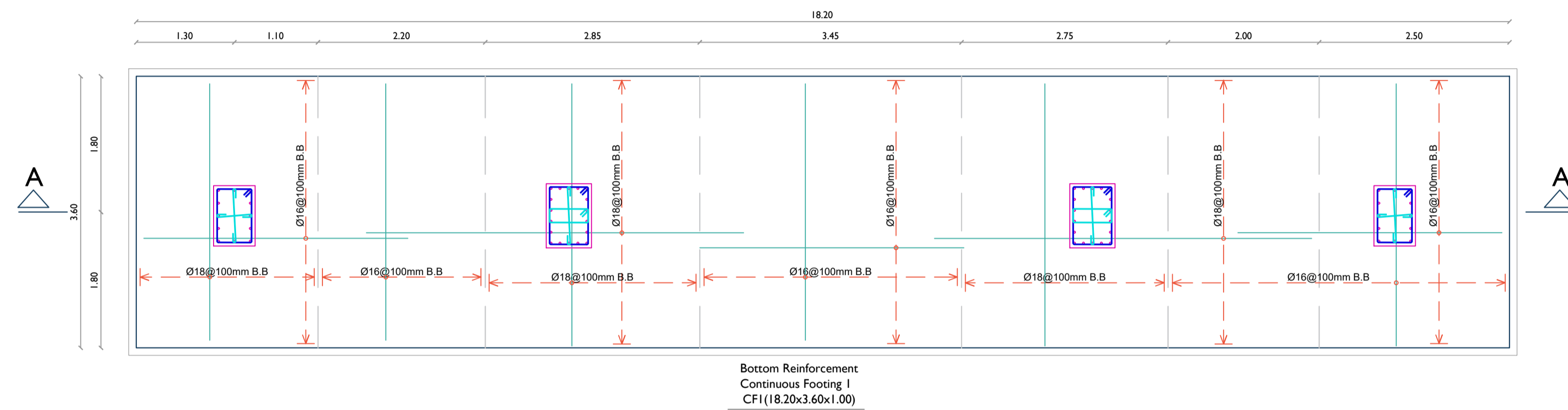
S 106

Footing - CF1

CF1 (18.20x3.60x1.00) - Scale: 1:50



Palestine Polytechnic University
 Engineering College
 Civil Engineering Department
 Building Engineering
 Al Ahd - Structural Design
 Graduation Project



TITLE

Continuous Footing 1
CF1(18.20x3.60x1.00)

SUPERVISOR

Eng. Inas Shweki

DONE BY

Ahmad Tamimi
 Ismail Abu Dawod
 Osama Qawasma

SCALE 1:50

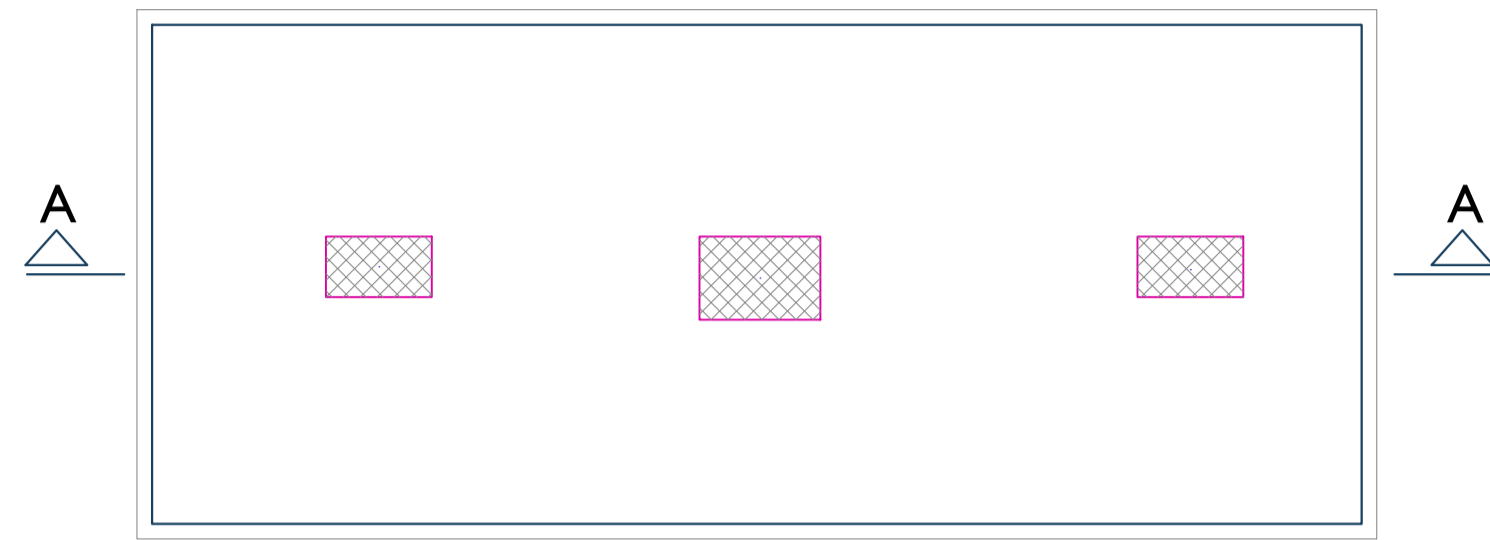
NO OF DRAW S 106

DATE 20/01/2024

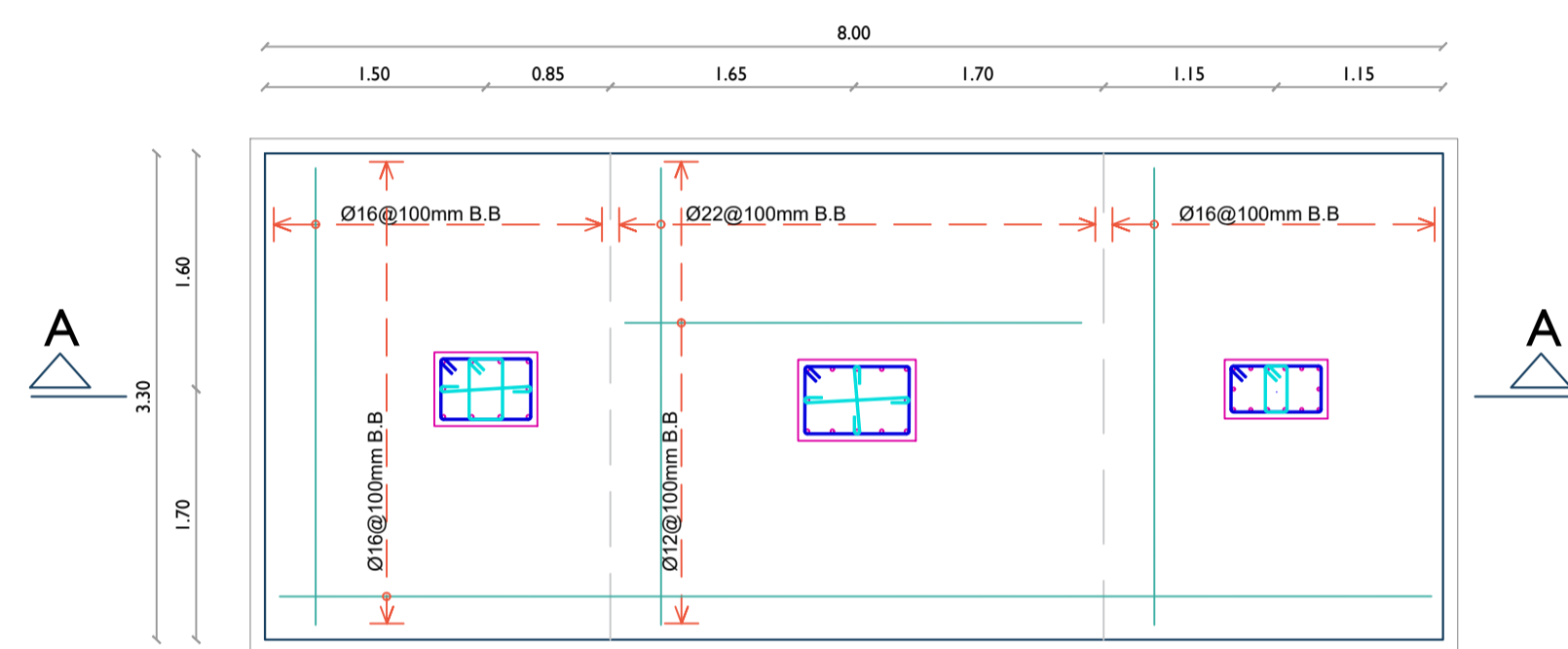
S 107

Footing - CF2

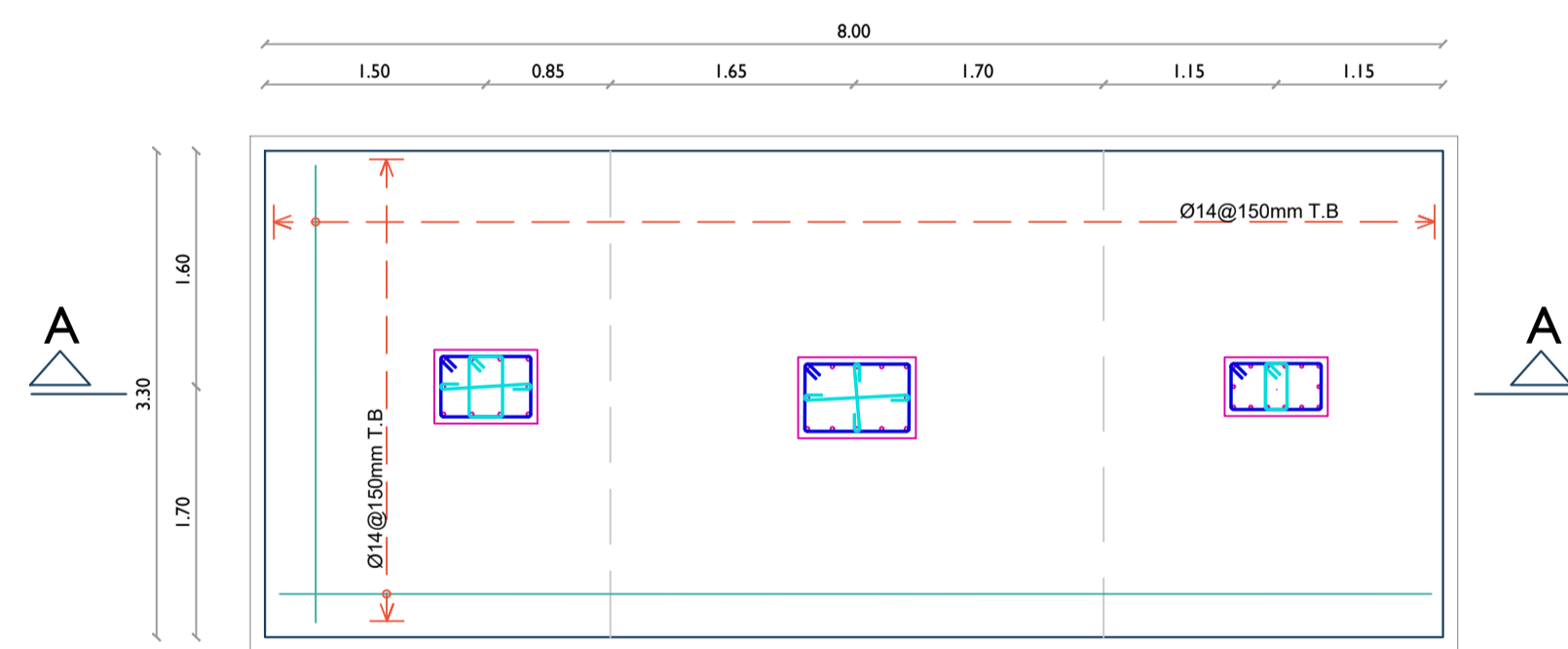
CF2 (8.00x3.30x0.80) - Scale: 1:50



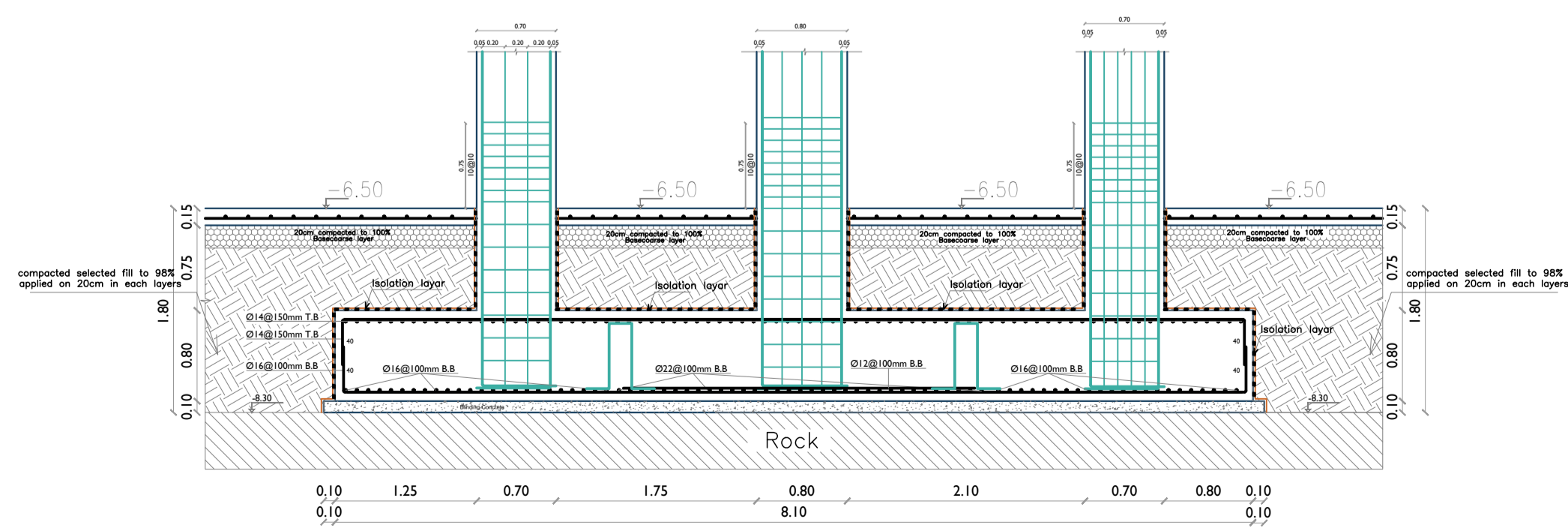
Continuous Footing 2
CF2(8.00x3.30x0.80)



Bottom Reinforcement
Continuous Footing 2
CF2(8.00x3.30x0.80)



Top Reinforcement
Continuous Footing 2
CF2(8.00x3.30x0.80)



Section (A-A) in
Continuous Footing 2
CF2(8.00x3.30x0.80)

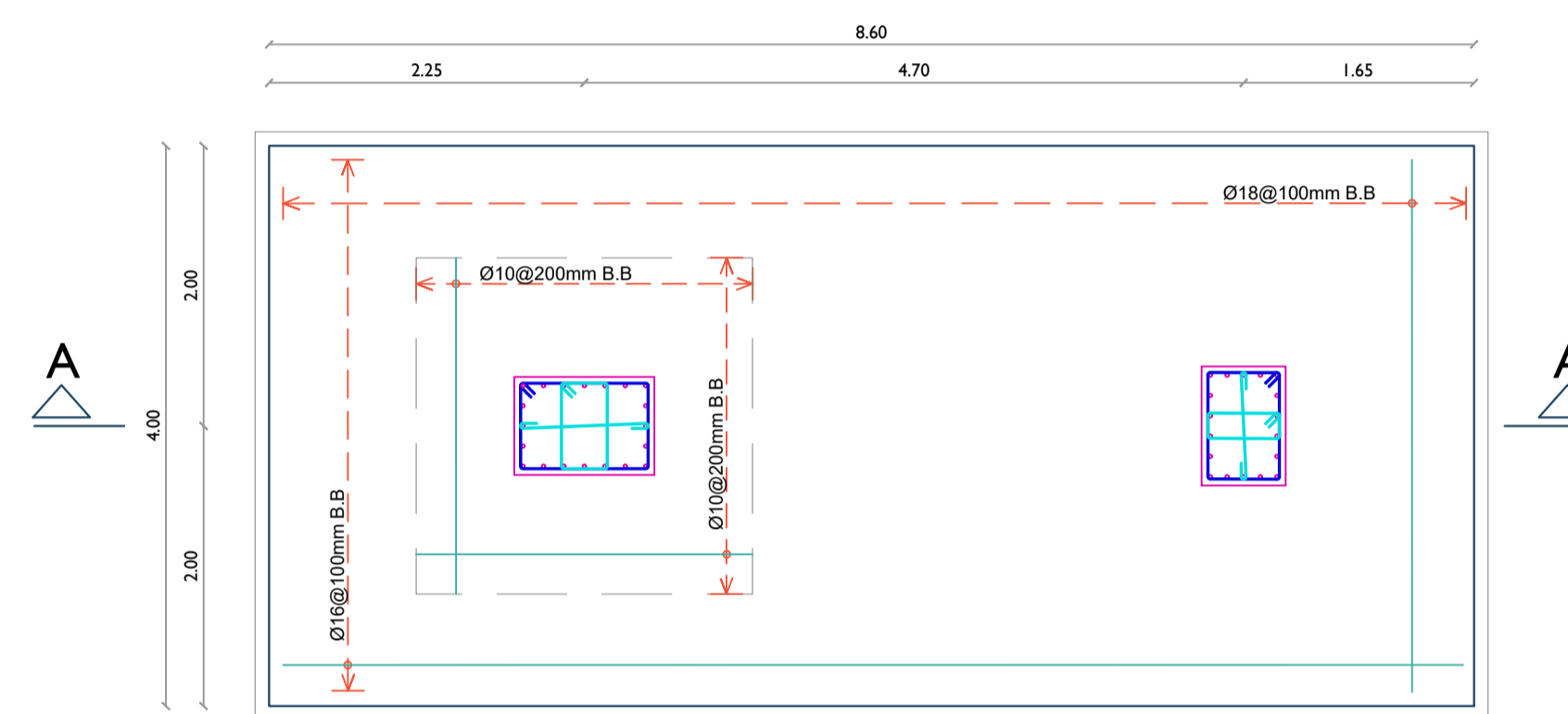
S 107

Footing - CF3

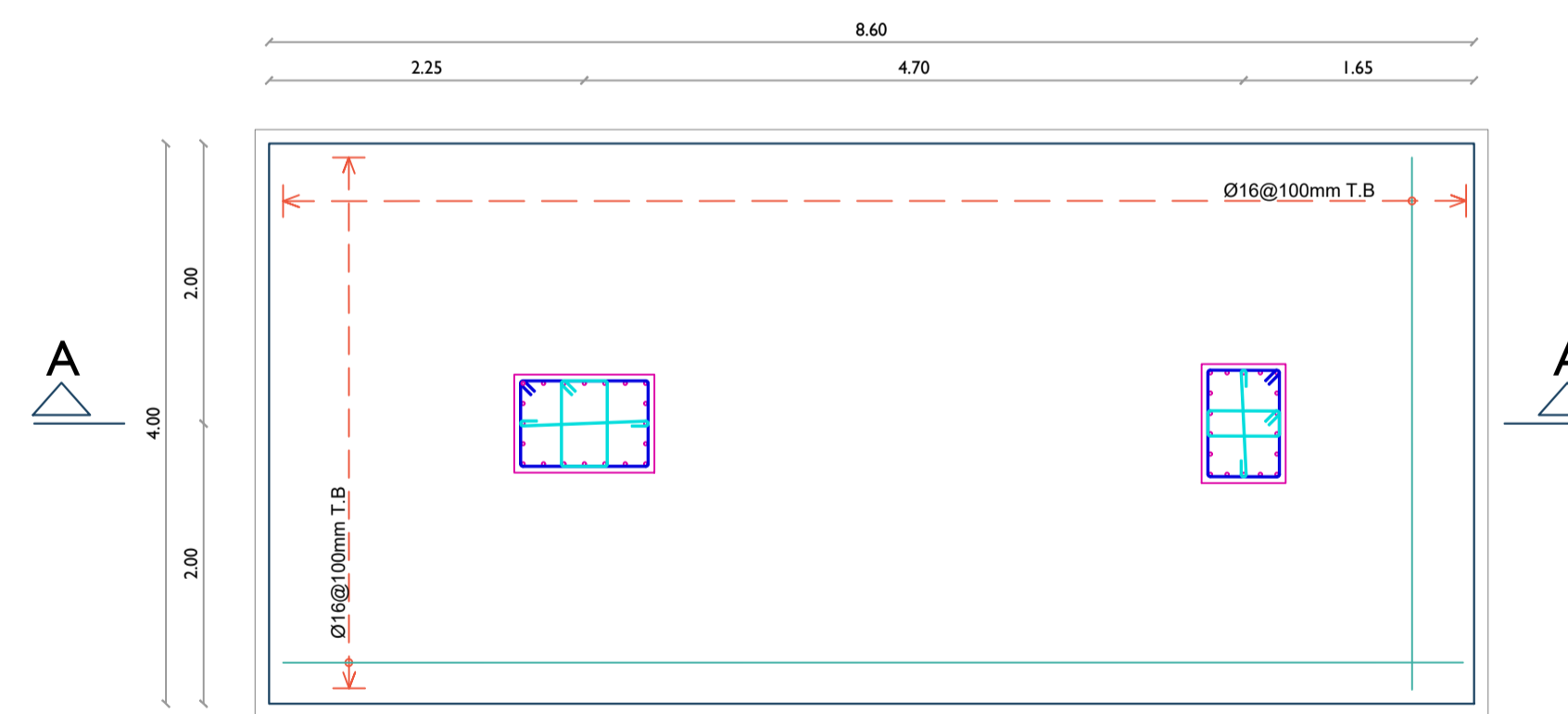
CF3 (8.60x4.00x1.00) - Scale: 1:50



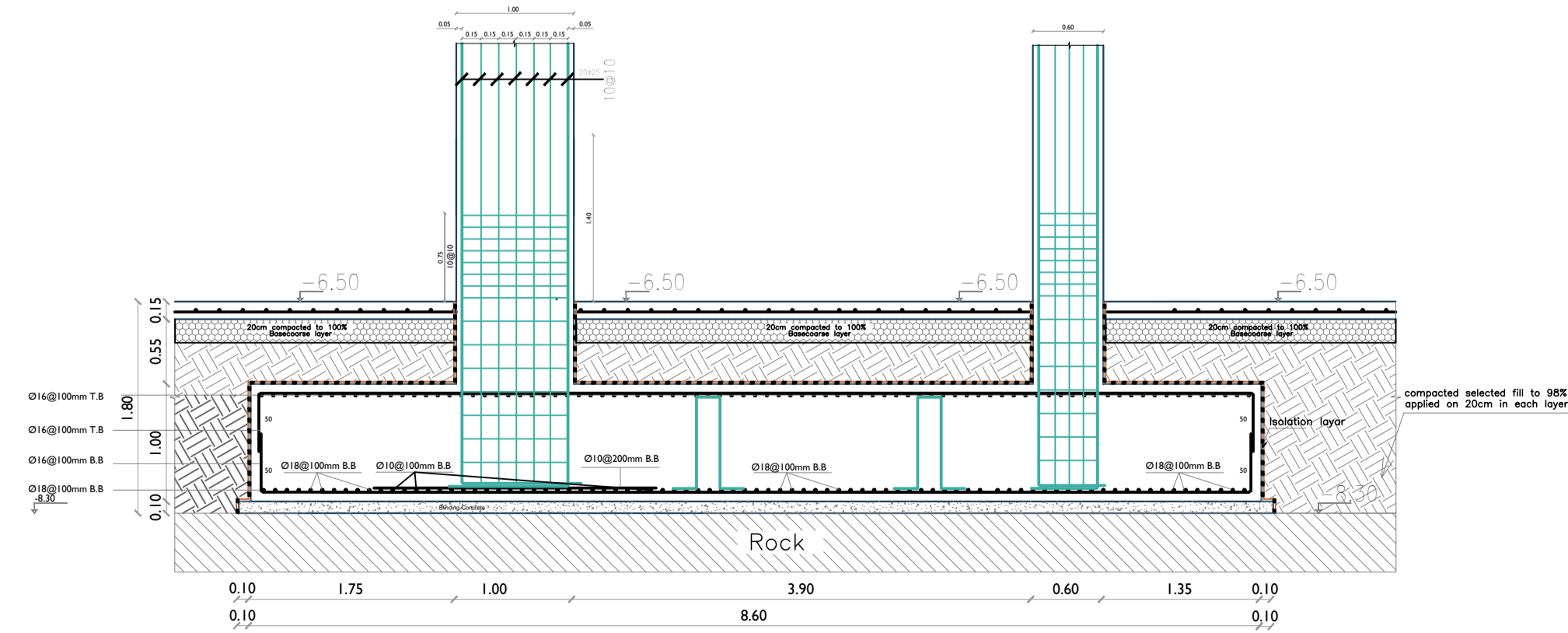
Continuous Footing 3
CF3(8.60x4.00x1.00)



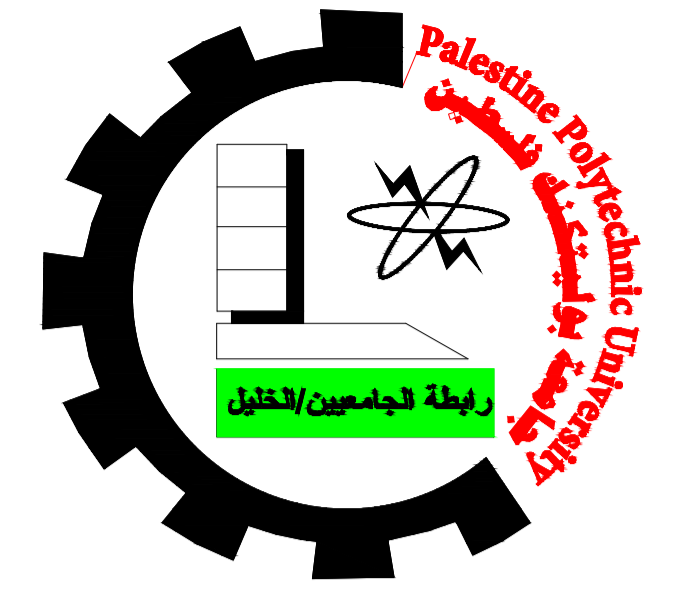
Bottom Reinforcement
Continuous Footing 3
CF3(8.60x4.00x1.00)



Top Reinforcement
Continuous Footing 3
CF3(8.60x4.00x1.00)



Section (A-A) in
Continuous Footing 3
CF3(8.60x4.00x1.00)



Palestine Polytechnic University

Engineering College

Civil Engineering Department

Building Engineering

Al Ahd - Structural Design

Graduation Project

TITLE

Continuous Footing
CF2 & CF3

SUPERVISOR

Eng. Inas Shweki

DONE BY

Ahmad Tamimi
Ismail Abu Dawod
Osama Qawasma

SCALE

1:50

NO OF
DRAW

S 107

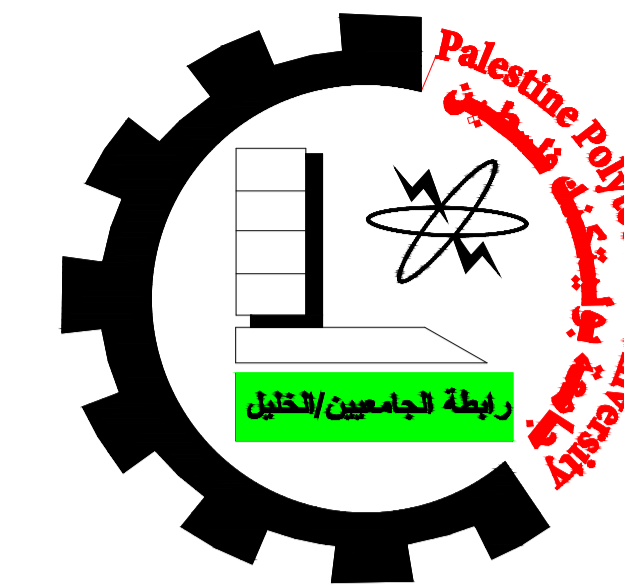
DATE

20/01/2024

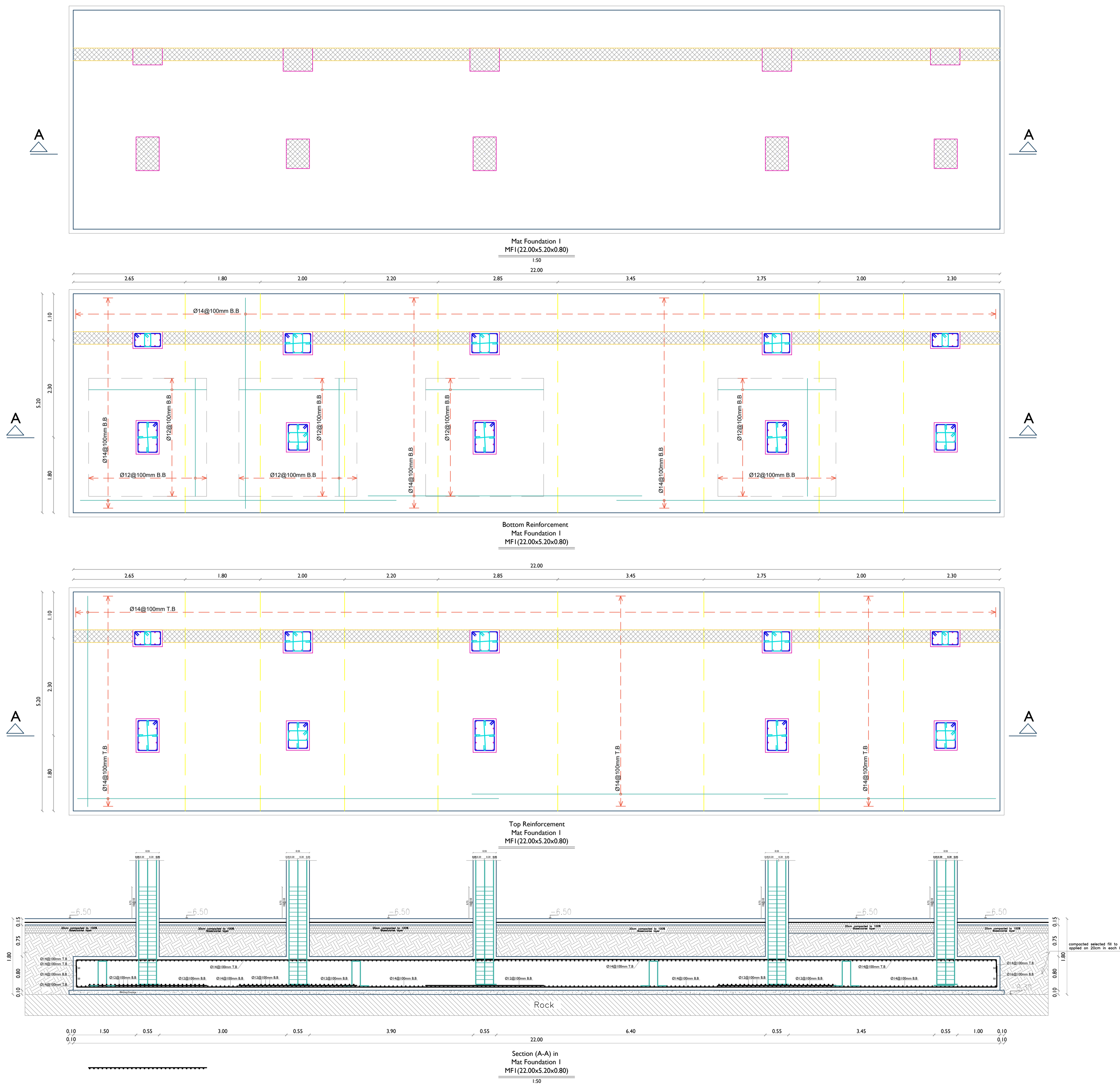
S 108

Mat Footing - MF1

MF1 (22.00x5.20x0.80) - Scale: 1:50



Palestine Polytechnic University
 Engineering College
 Civil Engineering Department
 Building Engineering
 Al Ahd - Structural Design
 Graduation Project



TITLE
 Mat Foundation
 MF1 (22.00x5.20x0.80)

SUPERVISOR
 Eng. Inas Shweki

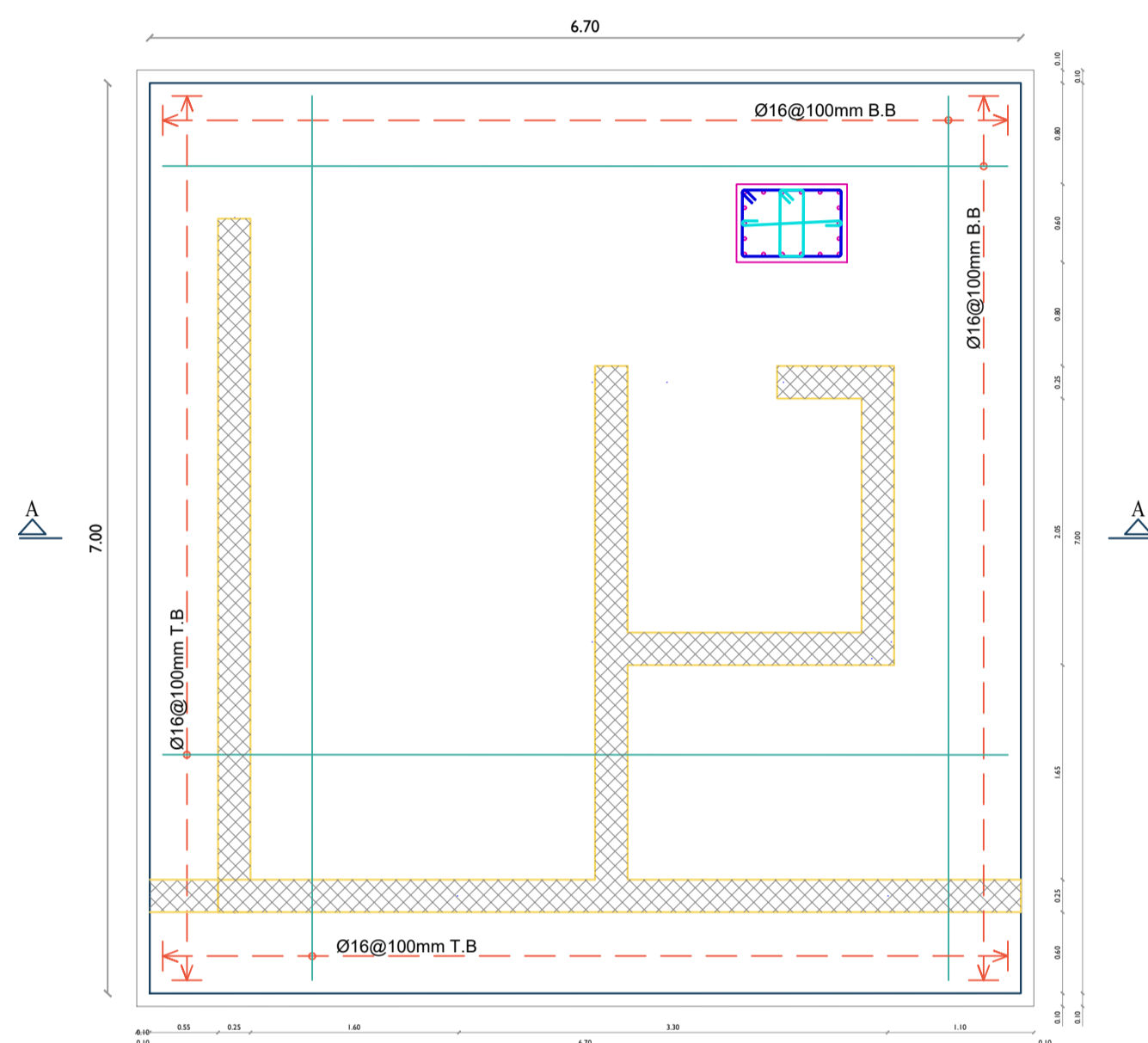
DONE BY
 Ahmad Tamimi
 Ismail Abu Dawod
 Osama Qawasma

SCALE	1:50
NO OF DRAW	S 108
DATE	20/01/2024

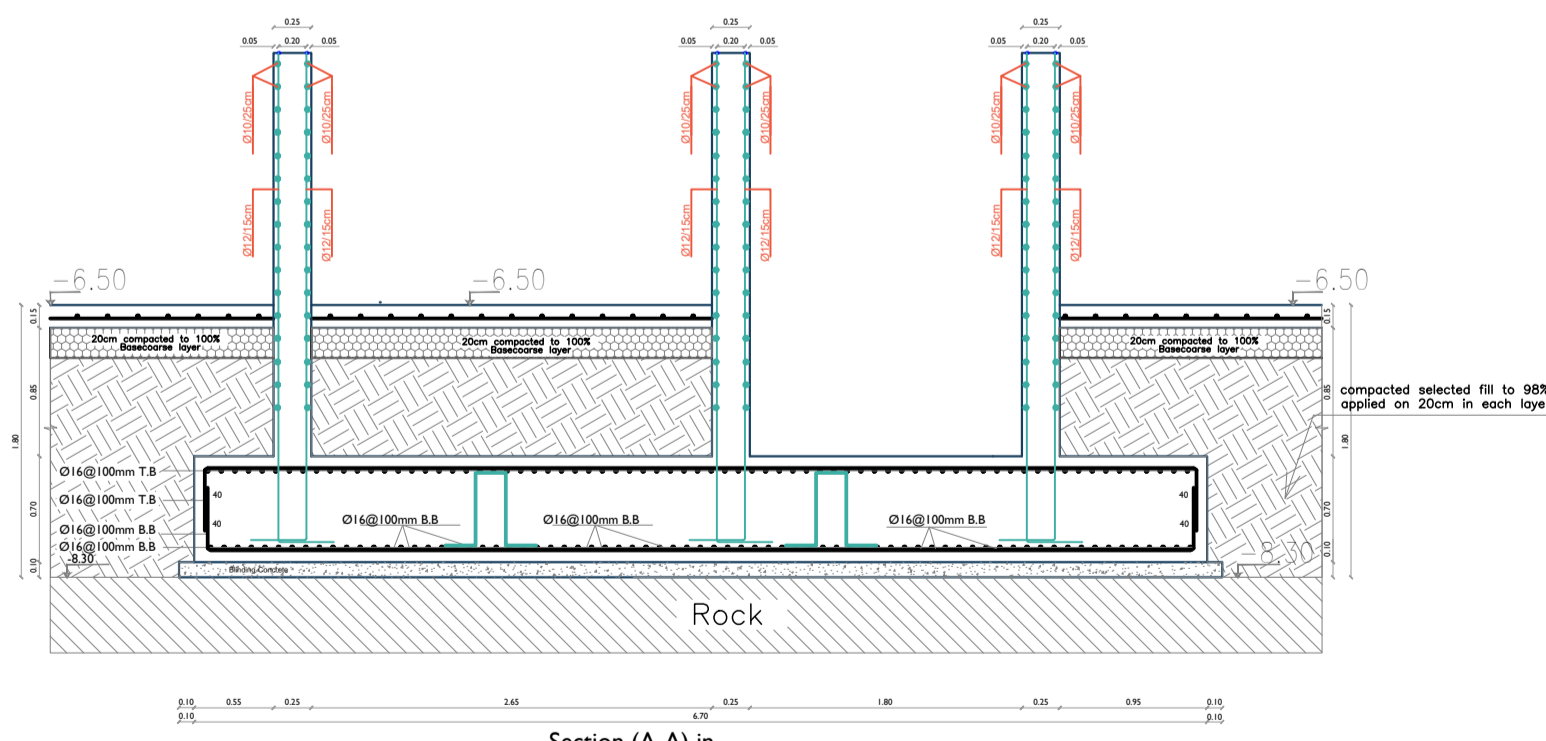
S 109

Mat Footing - MF2

MF2 (7.00x6.70x0.70) - Scale: 1:50



Top & Bottom Reinforcement
Mat Foundation 2
MF2(7.00x6.70x0.70)

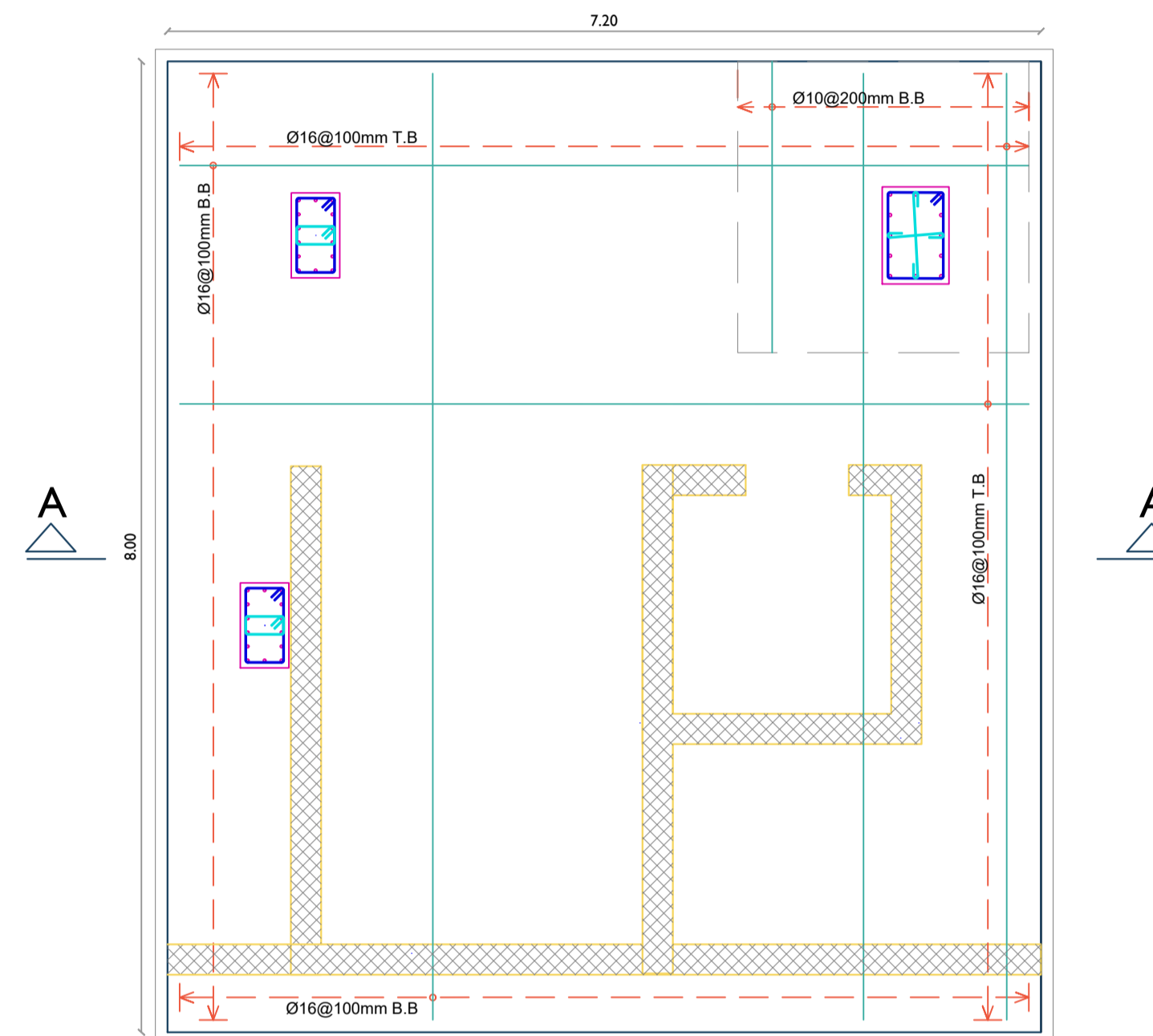


Section (A-A) in
Mat Foundation 2
MF2(7.00x6.70x0.70)

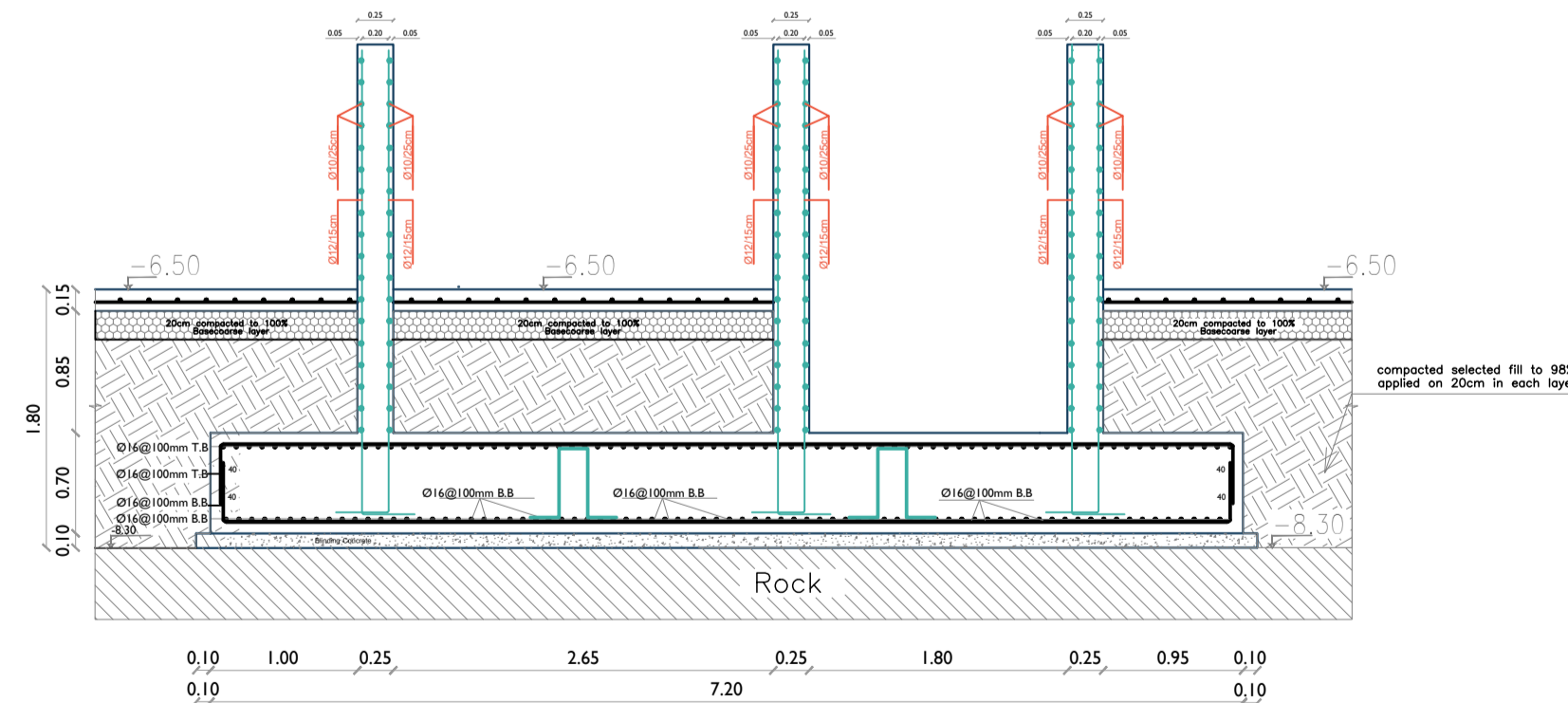
S 109

Mat Footing - MF3

MF3 (8.00x7.20x0.70) - Scale: 1:50



Top & Bottom Reinforcement
Mat Foundation 3
MF3 (8.00x7.20x0.70)

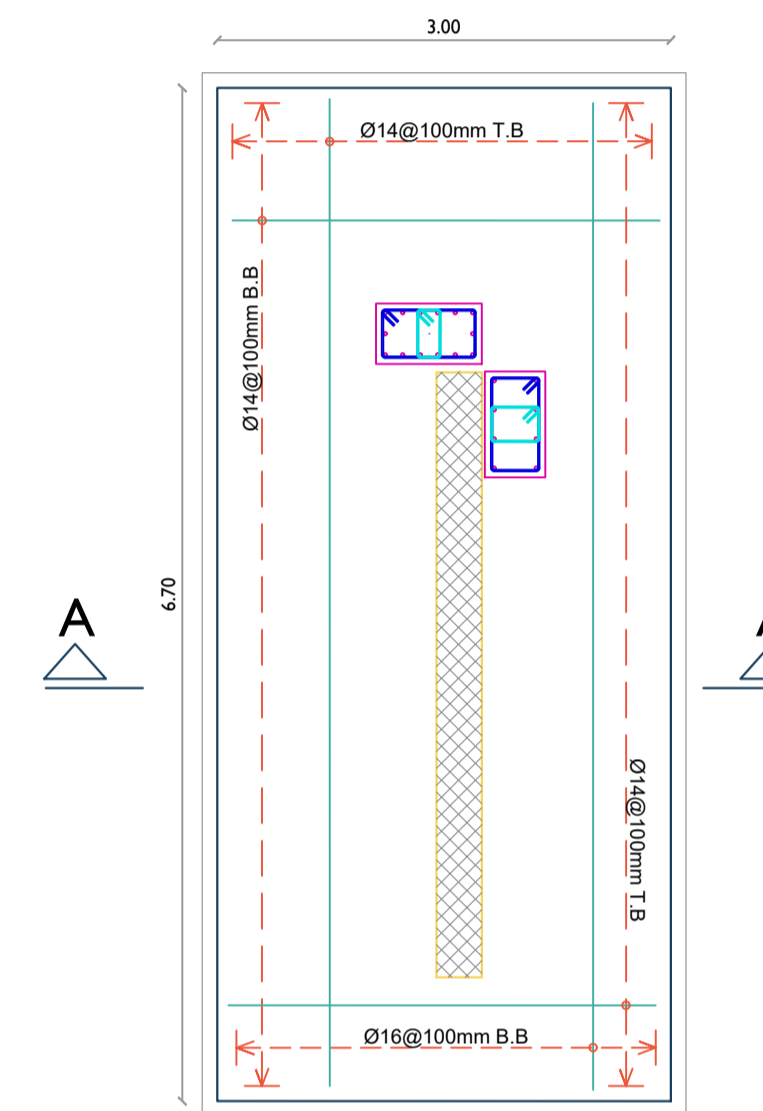


Section (A-A) in
Mat Foundation 3
MF3 (8.00x7.20x0.70)

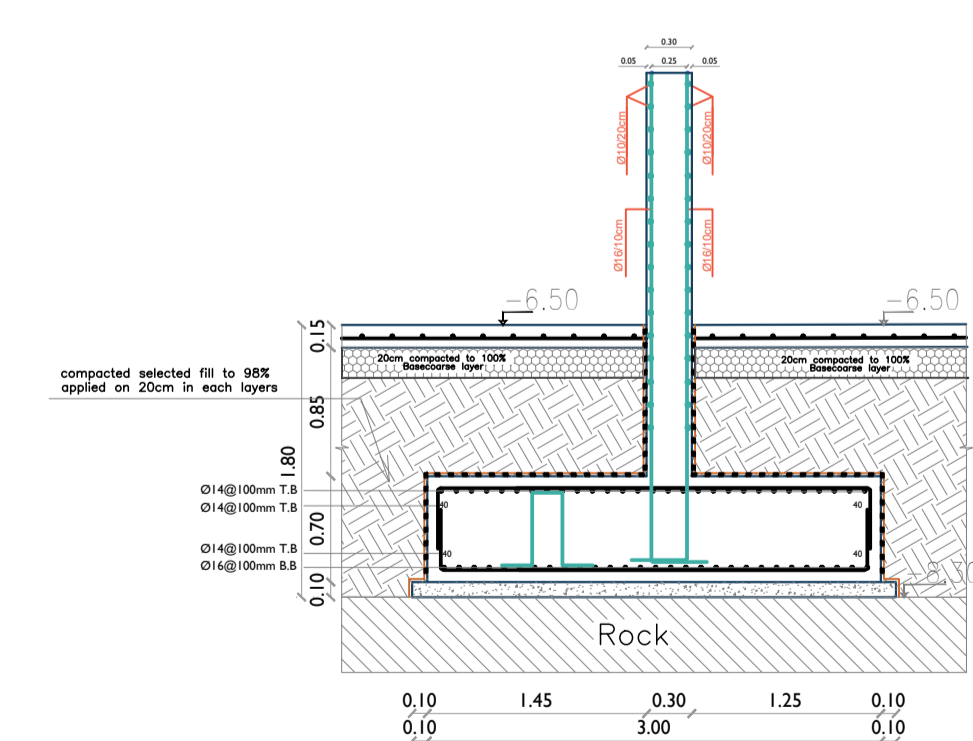
S 109

Mat Footing - MF4

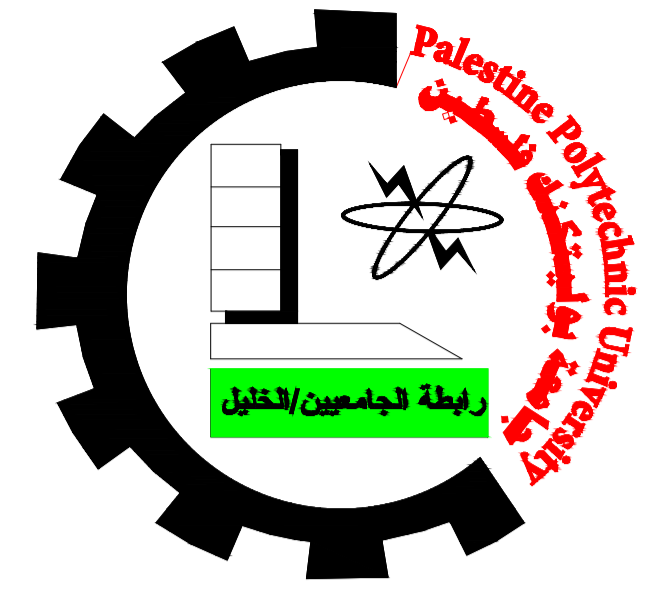
MF4 (6.70x3.00x0.70) - Scale: 1:50



Top & Bottom Reinforcement
Mat Foundation 4
MF4 (6.70x3.00x0.70)



Section (A-A) in
Mat Foundation 4
MF4(6.70x3.00x0.70)



Palestine Polytechnic University

Engineering College

Civil Engineering Department

Building Engineering

Al Ahd - Structural Design

Graduation Project

TITLE

Mat Foundation
MF2 & MF3 & MF4

SUPERVISOR

Eng. Inas Shweki

DONE BY

Ahmad Tamimi
Ismail Abu Dawod
Osama Qawasma

SCALE 1:50

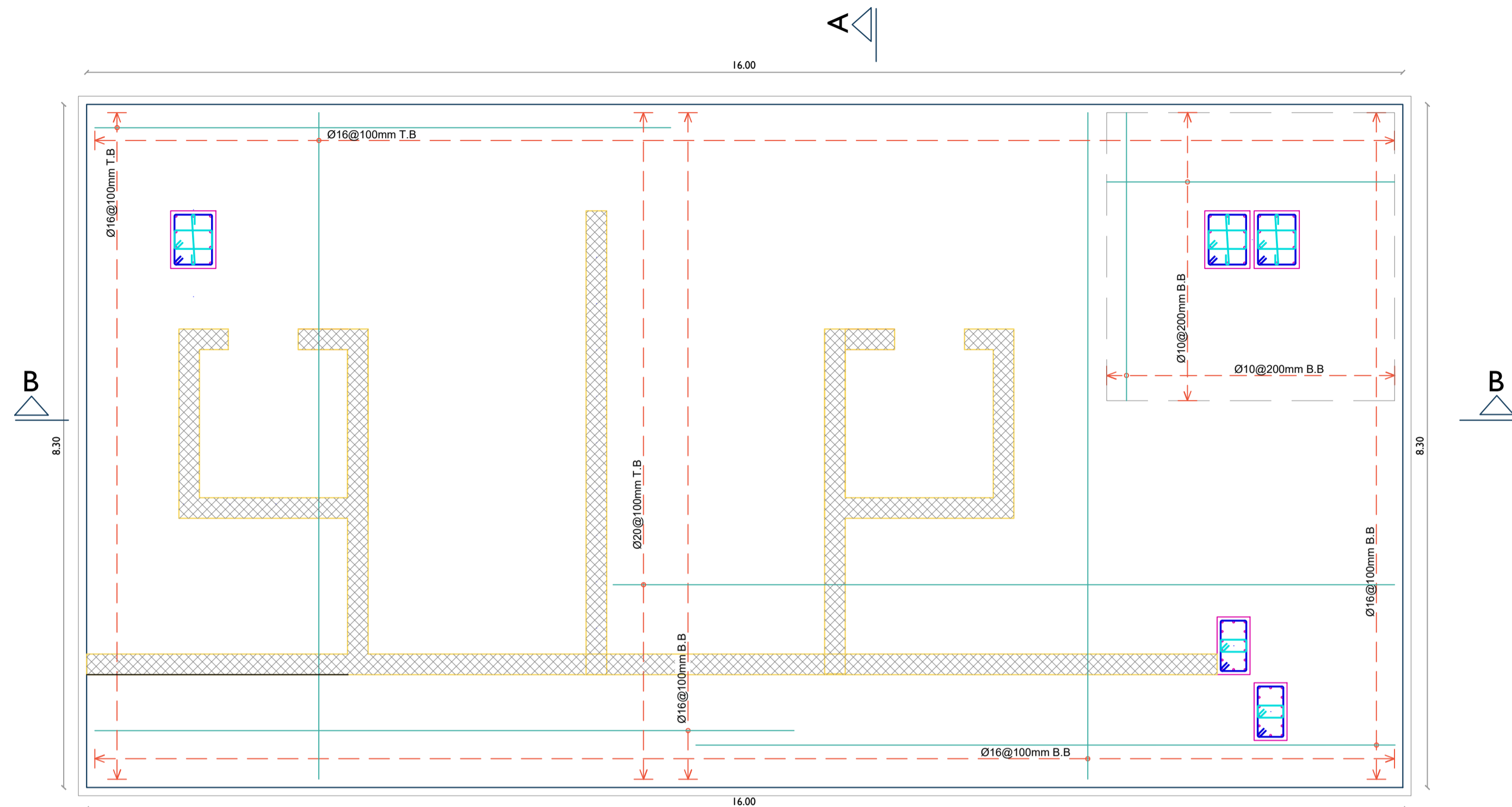
NO OF DRAW S 109

DATE 20/01/2024

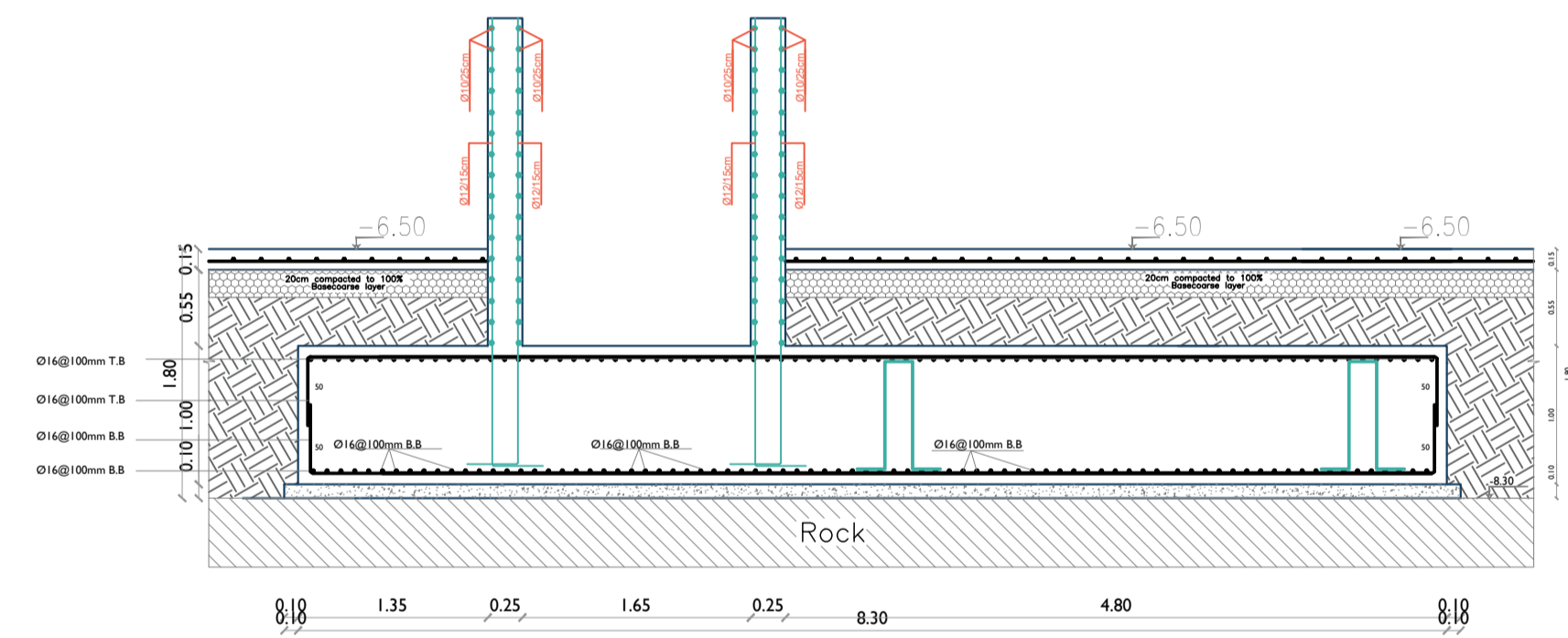
S 110

Mat Footing - MF5

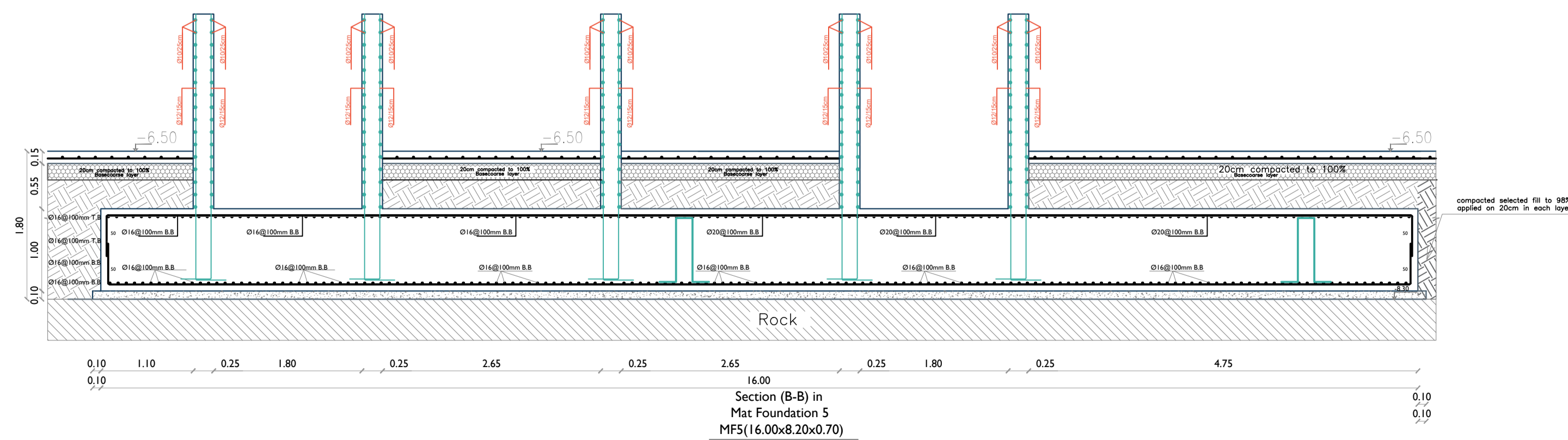
MF5 (16.00x8.20x0.70) - Scale: 1:50



Top & Bottom Reinforcement
Mat Foundation 5
MF5 (16.00x8.20x0.70)



Section (A-A) in
Mat Foundation 5
MF5 (16.00x8.20x0.70)

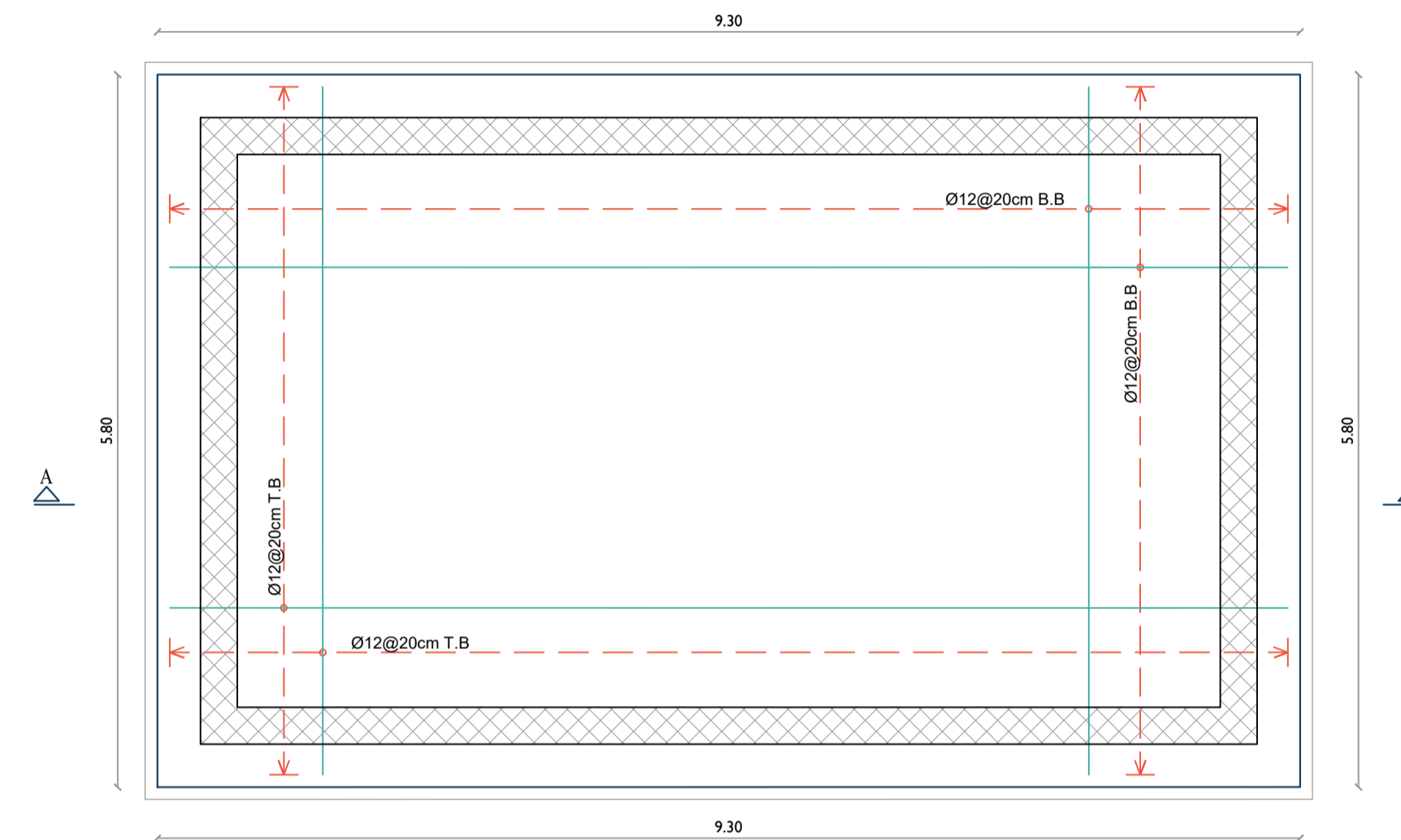


Section (B-B) in
Mat Foundation 5
MF5 (16.00x8.20x0.70)

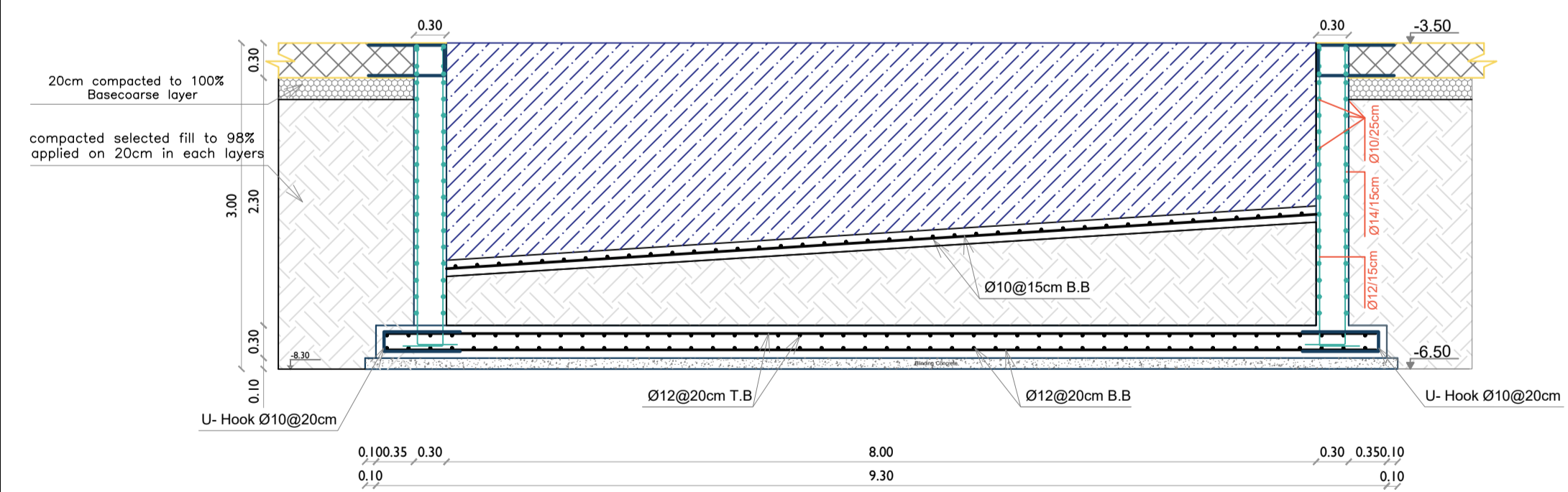
S 110

Mat Footing - MF6

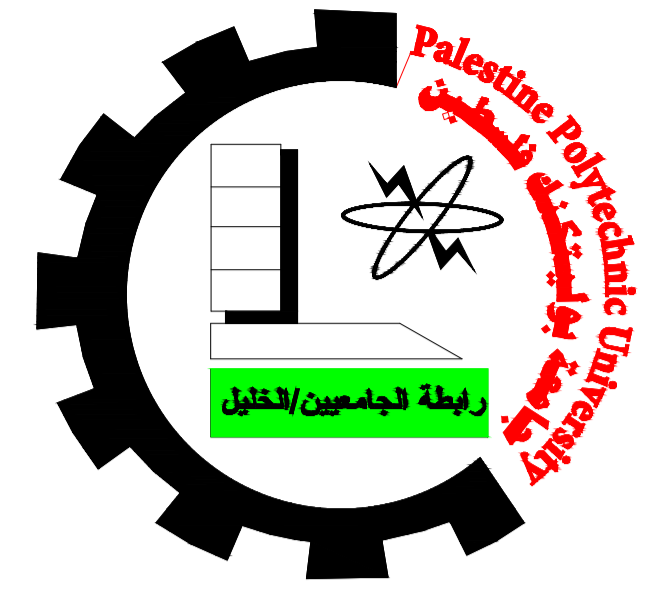
MF6 (9.30x5.80x0.30) - Scale: 1:50



Top & Bottom Reinforcement
Mat Foundation 6
MF6 (9.30x5.80x0.30)



Section (A-A) in
Mat Foundation 6
MF6 (9.30x5.80x0.30)



Palestine Polytechnic University

Engineering College

Civil Engineering Department

Building Engineering

Al Ahd - Structural Design

Graduation Project

TITLE

Mat Foundation
MF5 & MF6

SUPERVISOR

Eng. Inas Shweki

DONE BY

Ahmad Tamimi
Ismail Abu Dawod
Osama Qawasma

SCALE

1:50

NO OF
DRAW

S 110

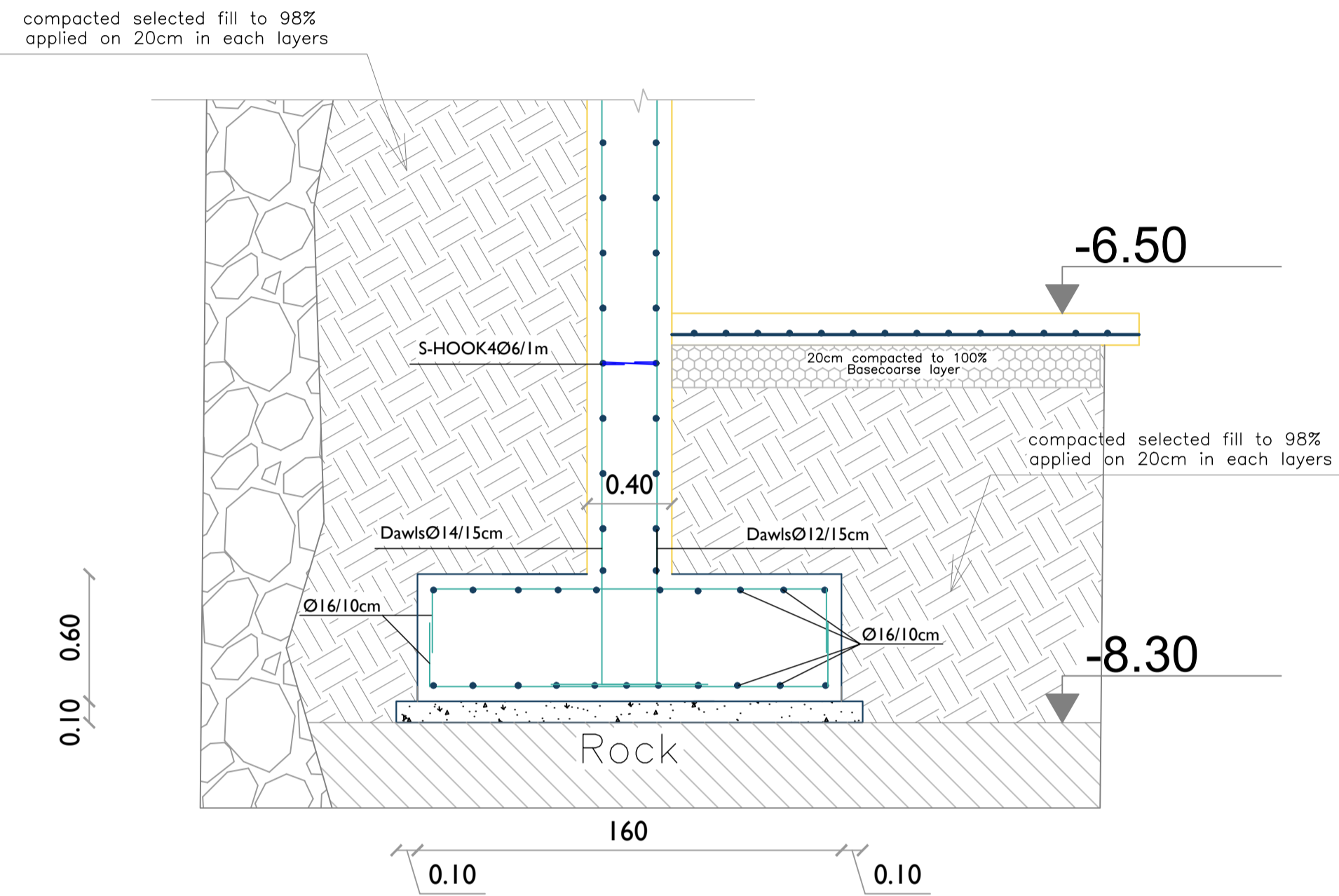
DATE

20/01/2024

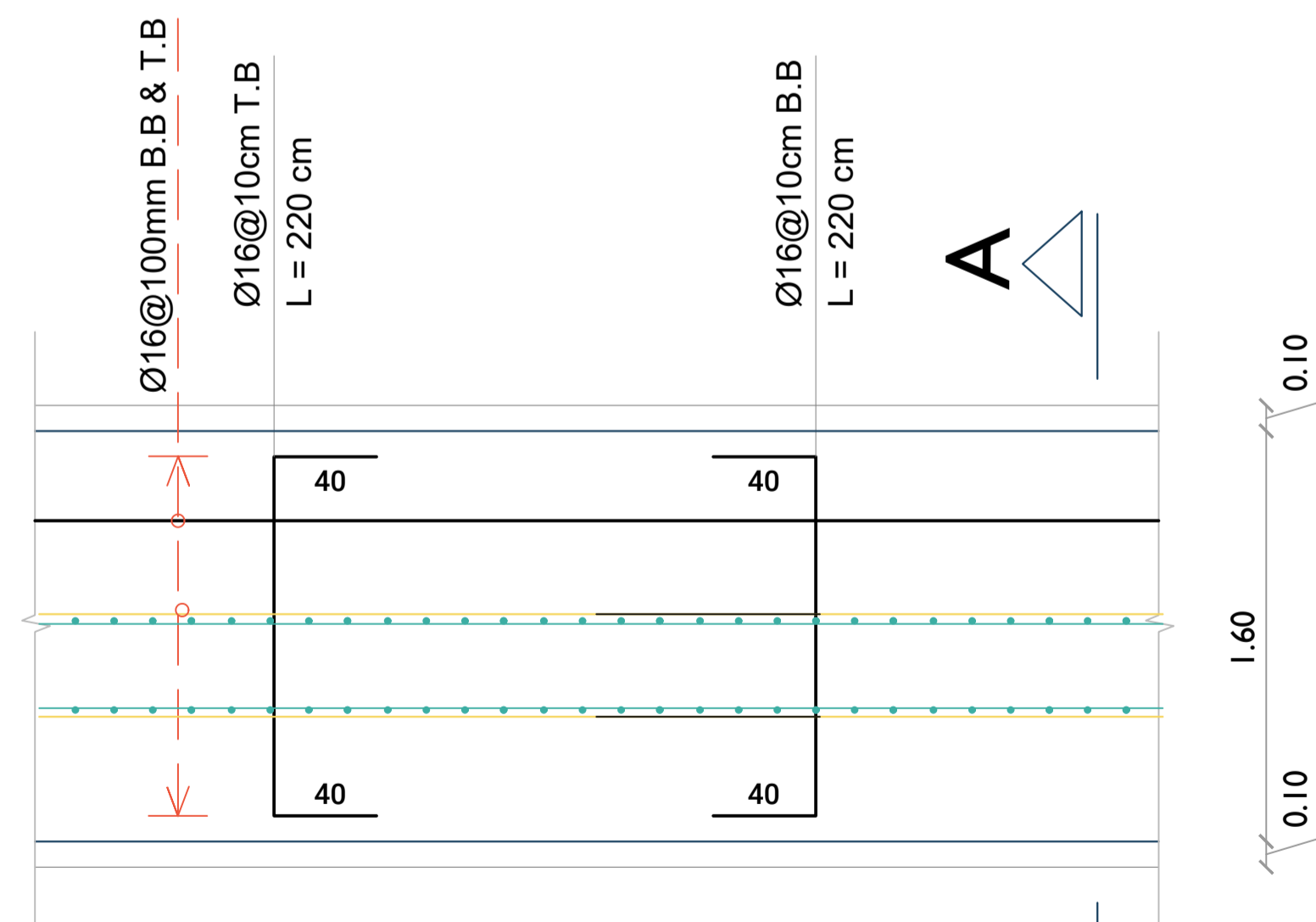
S 111

Strip Footing - SF1

SF1 (1.60x0.60) - Scale: 1:25



Section (A-A) in Strip Footing - SF1
SF1 (1.60x0.60) - Scale: 1:25

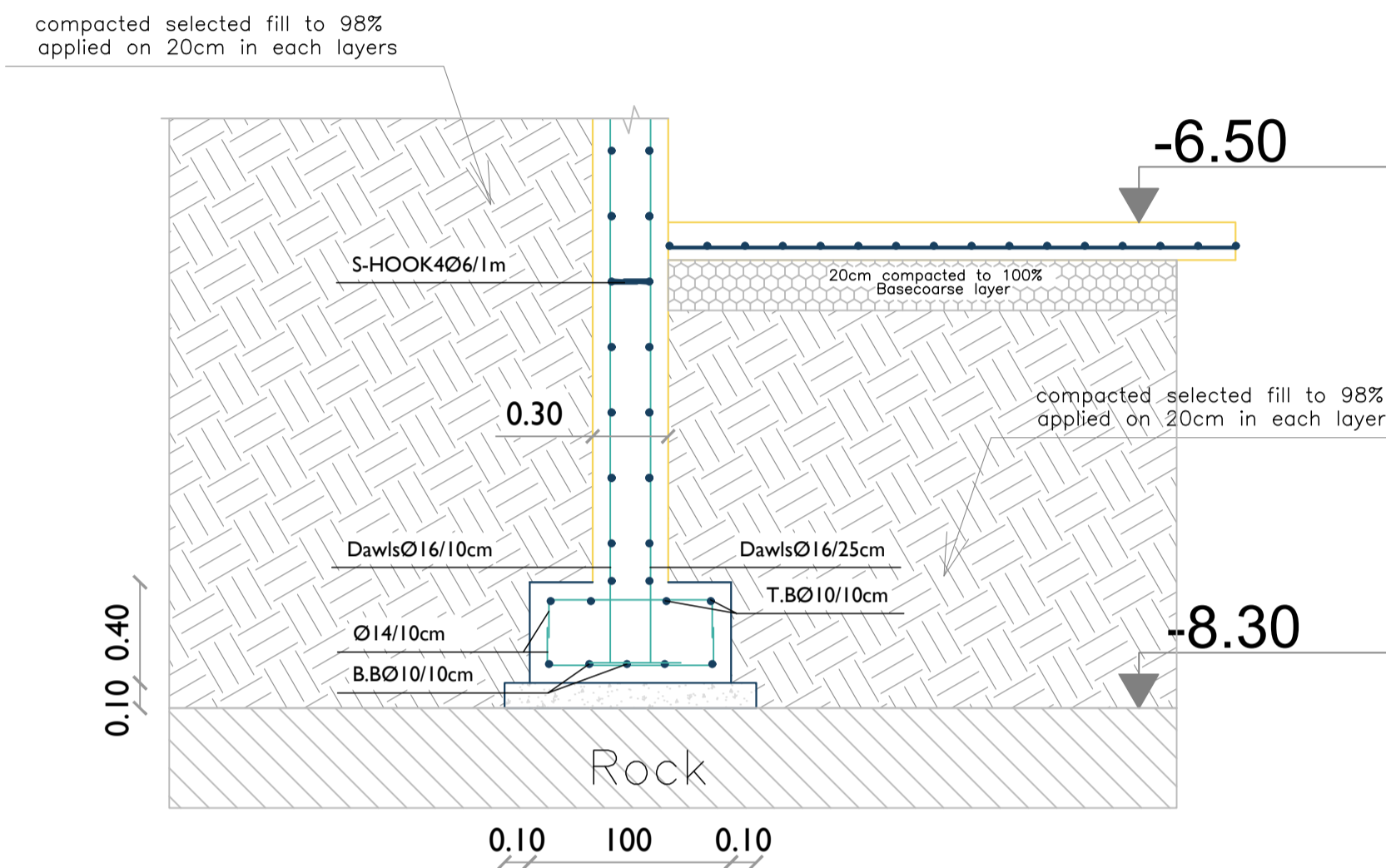


Top & Bottom Reinforcement Strip Footing - SF1
SF1 (1.60x0.60) - Scale: 1:25

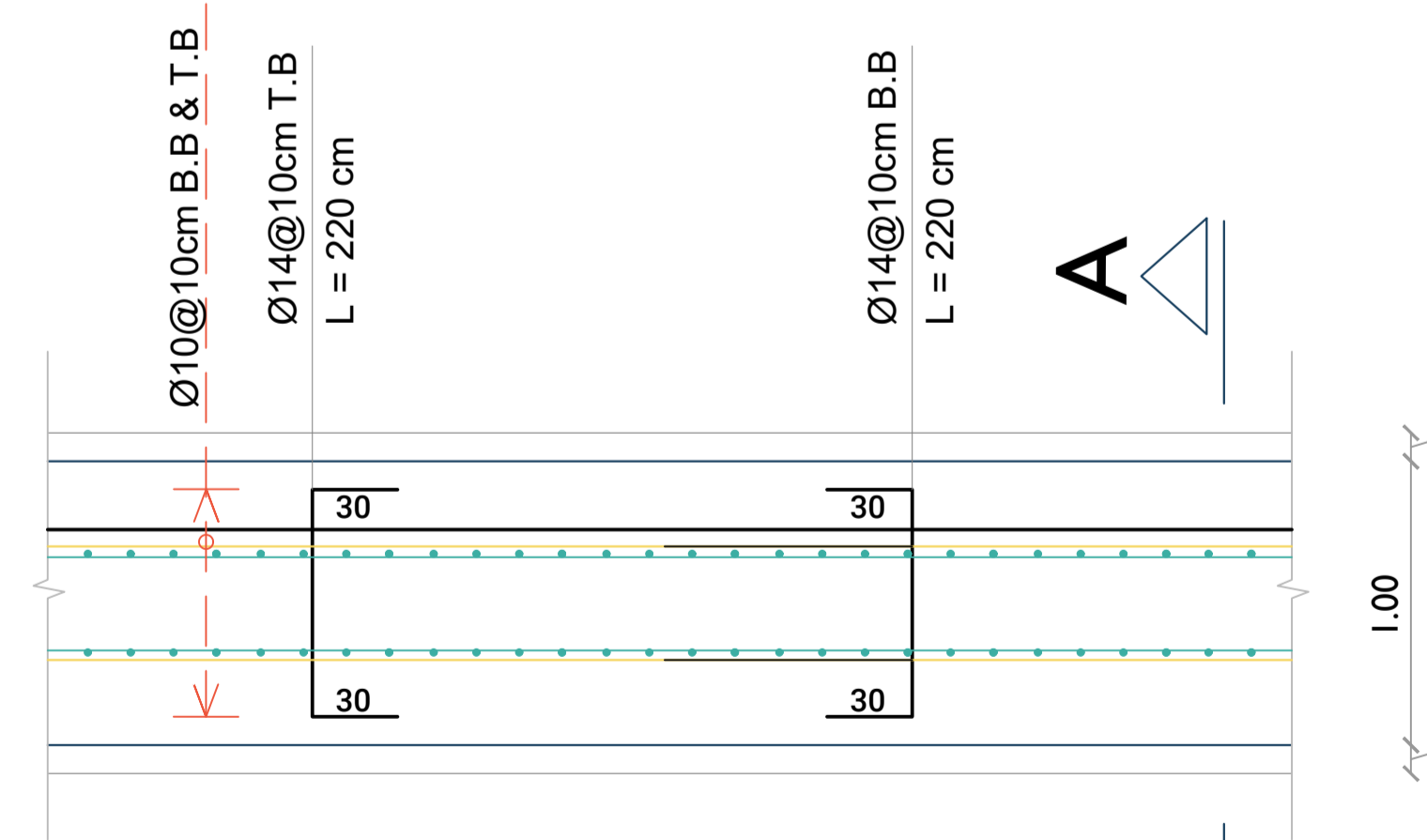
S 111

Strip Footing - SF2

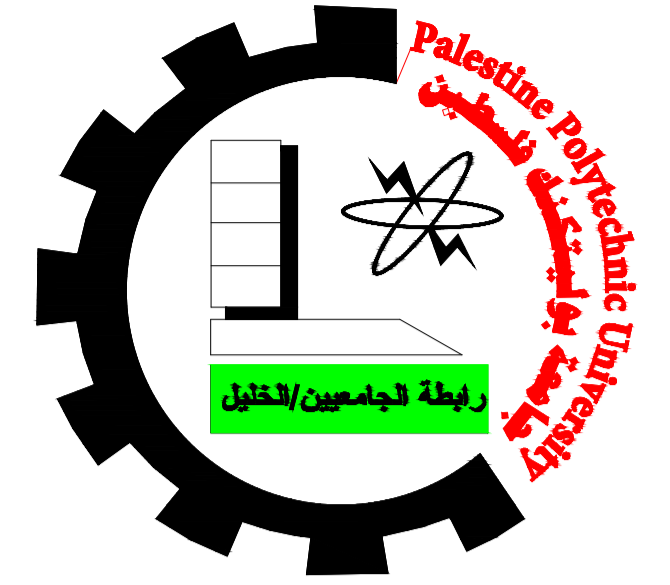
SF2 (1.00x0.40) - Scale: 1:25



Section (A-A) in Strip Footing - SF2
SF2 (1.00x0.40) - Scale: 1:25



Top & Bottom Reinforcement Strip Footing - SF2
SF2 (1.00x0.40) - Scale: 1:25



Palestine Polytechnic University

Engineering College

Civil Engineering Department

Building Engineering

Al Ahd - Structural Design

Graduation Project

TITLE

Strip Footing

SUPERVISOR

Eng. Inas Shweki

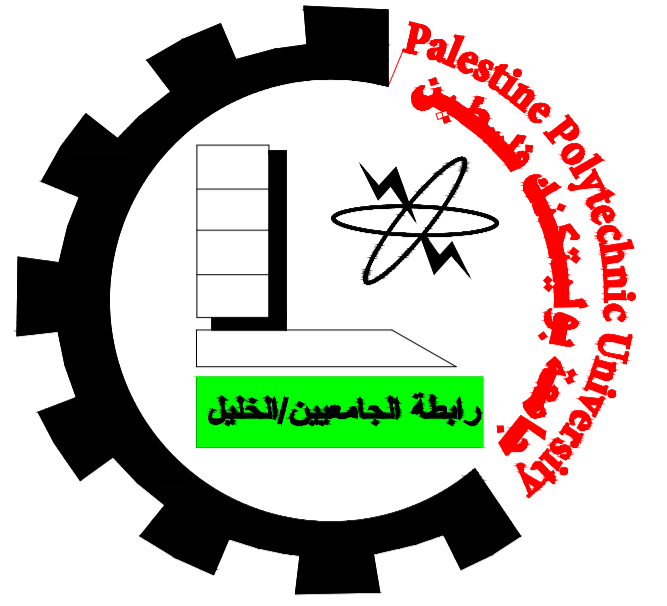
DONE BY

Ahmad Tamimi
Ismail Abu Dawod
Osama Qawasma

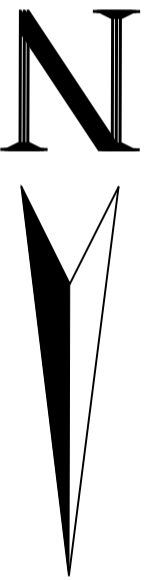
SCALE 1:25

NO OF DRAW S 111

DATE 20/01/2024



Palestine Polytechnic University
 Engineering College
 Civil Engineering Department
 Building Engineering
 Al Ahd - Structural Design
 Graduation Project



TITLE

Ground Beam Plan

SUPERVISOR

Eng. Inas Shweki

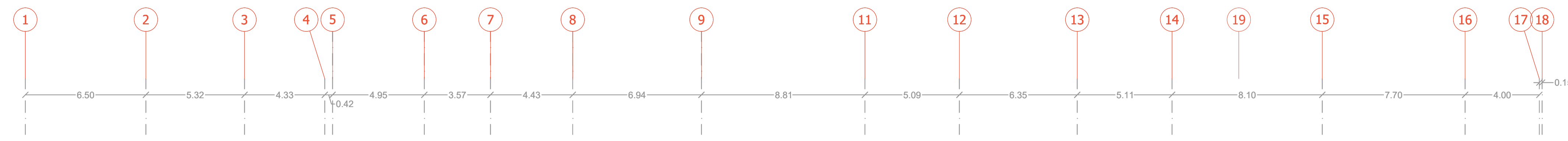
DONE BY

Ahmad Tamimi
 Ismail Abu Dawod
 Osama Qawasma

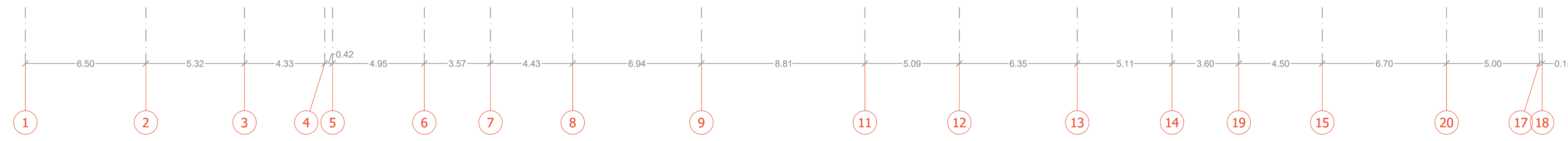
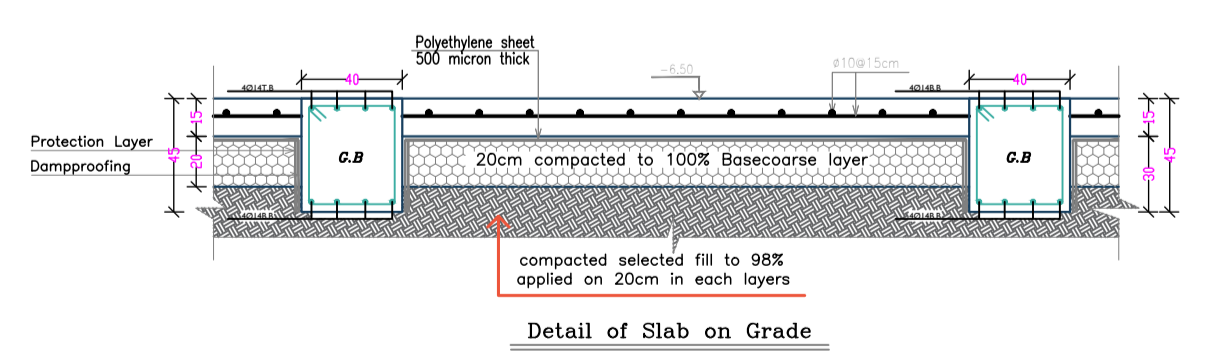
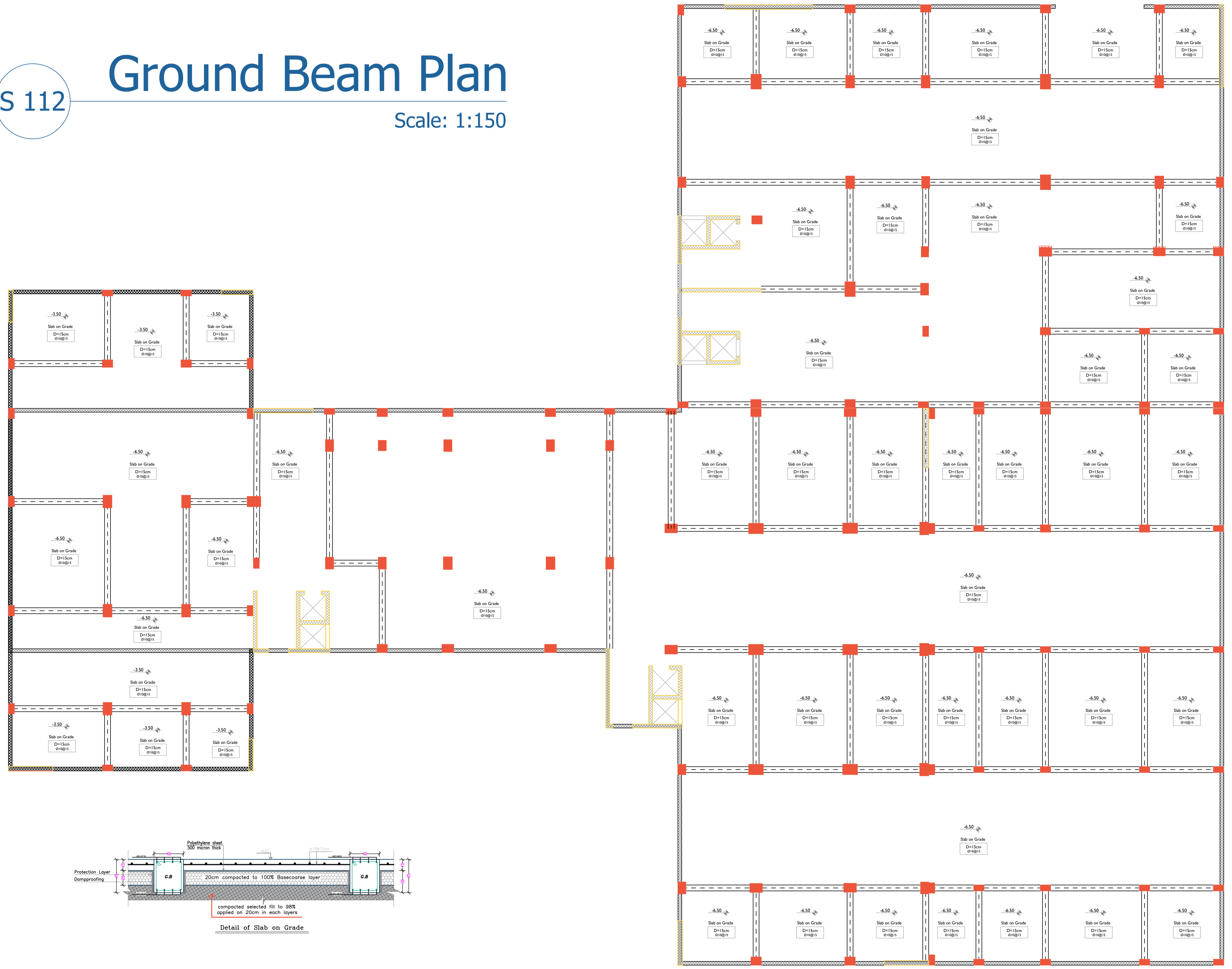
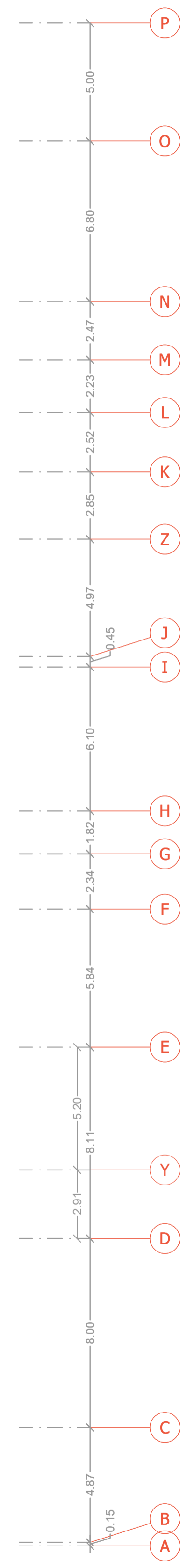
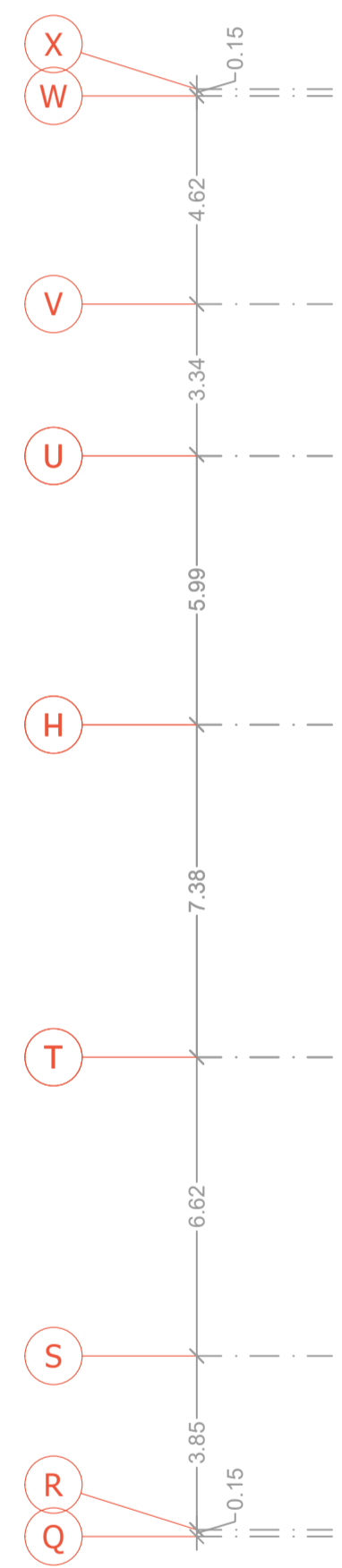
SCALE 1:150

NO OF DRAW S 112

DATE 20/1/2024



S 112 **Ground Beam Plan**
 Scale: 1:150





Palestine Polytechnic University

Engineering College

Civil Engineering Department

Building Engineering

Al Ahd - Structural Design

Graduation Project

TITLE

Column's Design Sections

SUPERVISOR

Eng. Inas Shweki

DONE BY

Ahmad Tamimi
Ismail Abu Dawod
Osama Qawasma

SCALE

1:25

NO OF DRAW

S 201

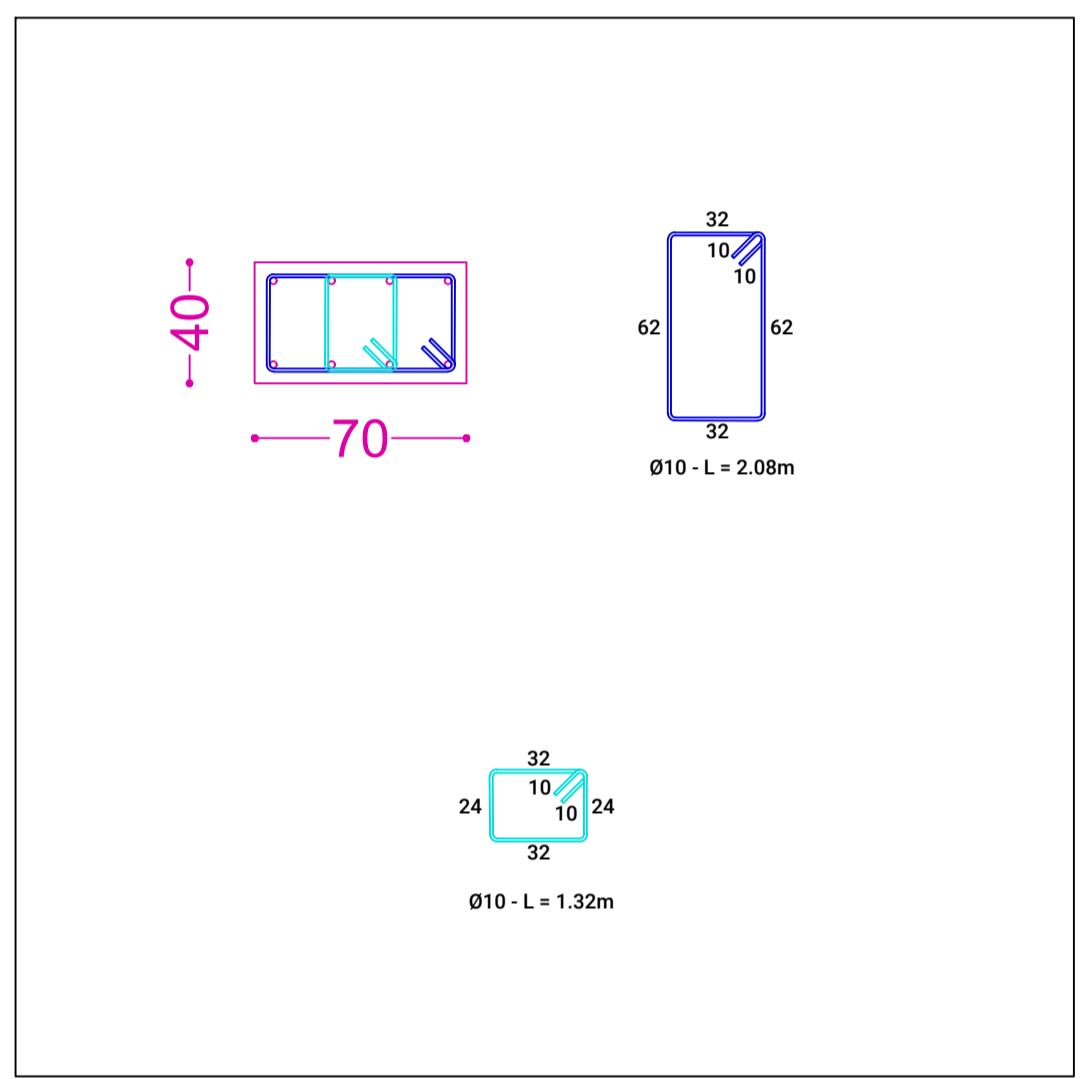
DATE

20/01/2024

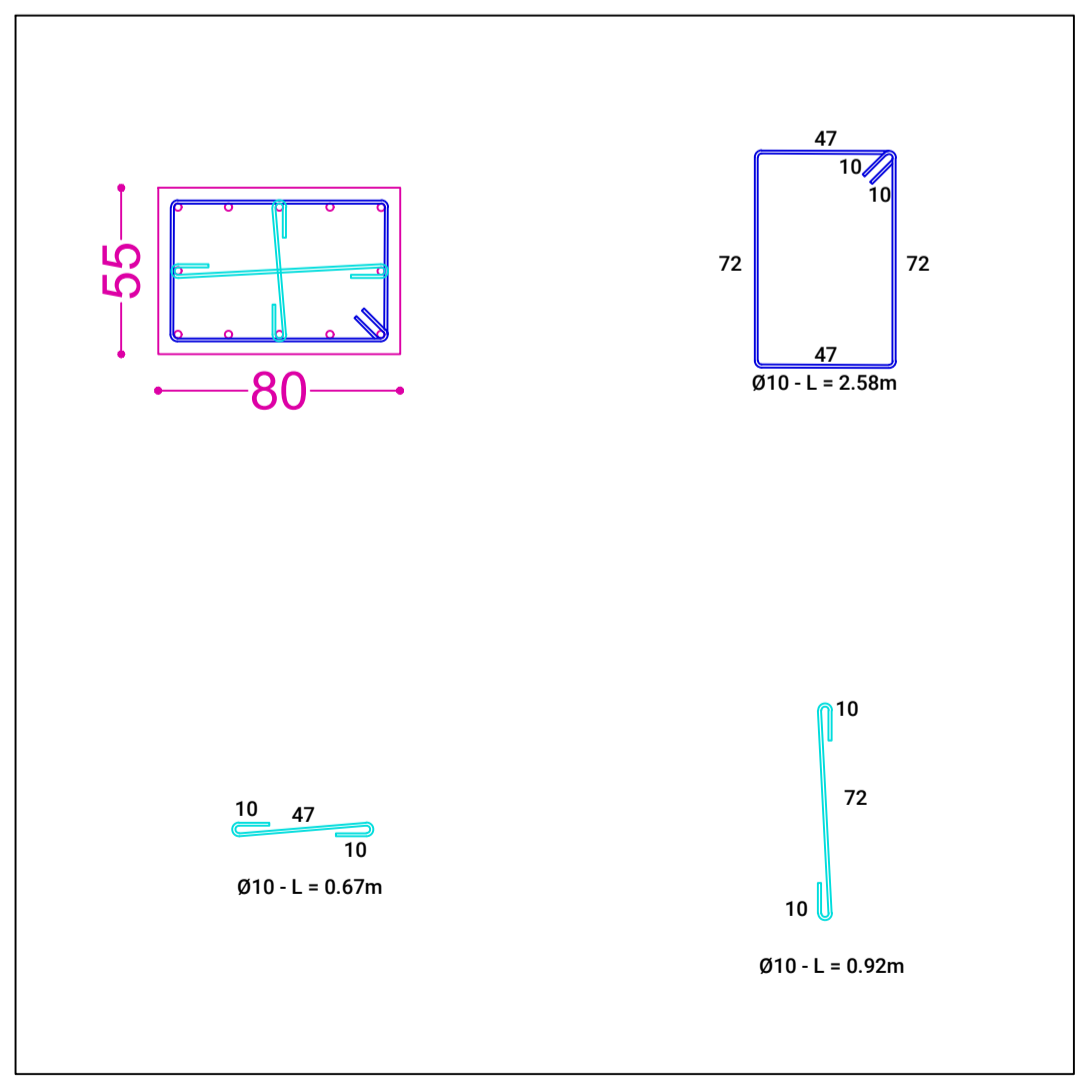
Column's Design Sections

Floor	C1	C2 _A	C2 _B	C3	C4	C5 _A	C5 _B	C6 _A	C6 _B	C6 _C	C6 _D
	96 - 109 - 102 - 54 - 66 - 93 - 75 - 76 - 55 - 67	100 - 106 - 80 - 79 - 65 - 94 - 97 - 51 - 56 - 103 - 77 - 50 - 53 - 68 - 95	12 - 13 - 16 - 17 - 20 - 21	101 - 81 - 110 - 45 - 35 - 48 - 107 - 44 - 64 - 42 - 49 - 52 - 78 - 63	90 - 89 - 74 - 92 - 43 - 46 - 117 - 99 - 84 - 83 - 29 - 116 - 62 - 30 - 31 - 87	98 - 104 - 33 - 86 - 88 - 28 - 118 - 36 - 47 - 105 - 6 - 34 - 32 - 27 - 85 - 108 - 112 - 7	59 - 60	CA - 81 - Co85 - 91	1 - 2 - 3 - 4 - 5 - 8 - 9 - 10 - 11 - 14 - 15 - 18 - 19 - 22 - 23 - 24 - 25 - 26	111 - 113 - 114 - 119 - 120 - 121 - 122 - 37 - 38 - 39 - 40 - 41 - 58 - 57 - 58 - 61 - 69 - 70 - 71 - 72 - 73	125 - 126 - 127 - 128 - 129 - 130 - 131 - 132 - 133 - 134 - 135 - 136 - 137 - 138 - 139
Parking											
Basment											
Ground Floor											
Service Floor											
First Floor											
Second Floor											
Third Floor											
Fourth Floor											

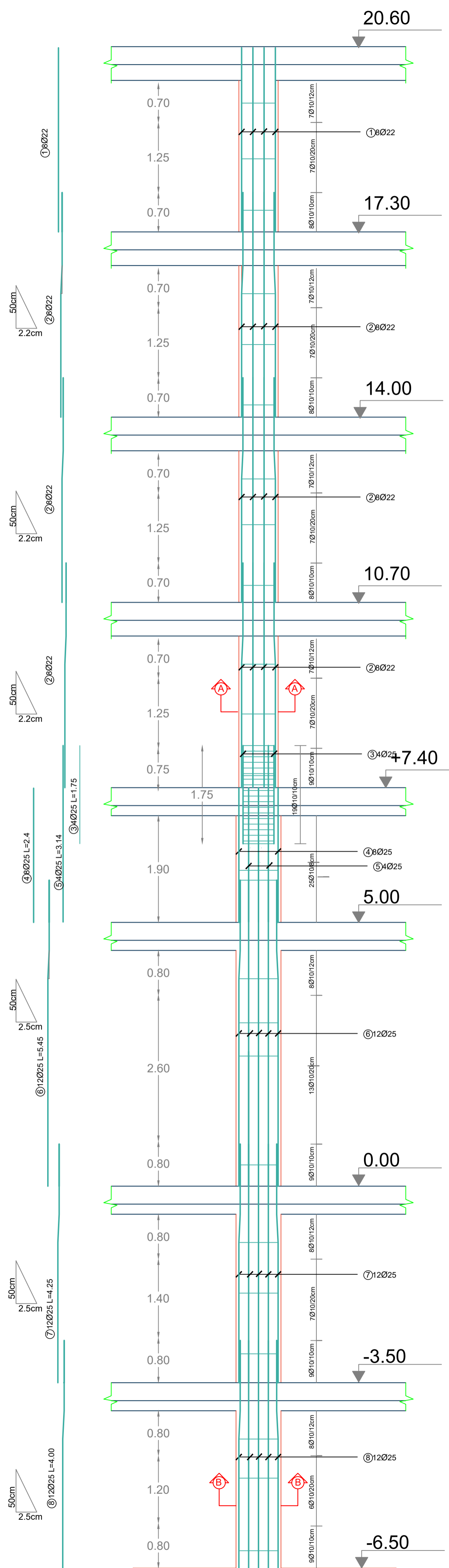
S 203 **Column - C3**
Scale: 1:50



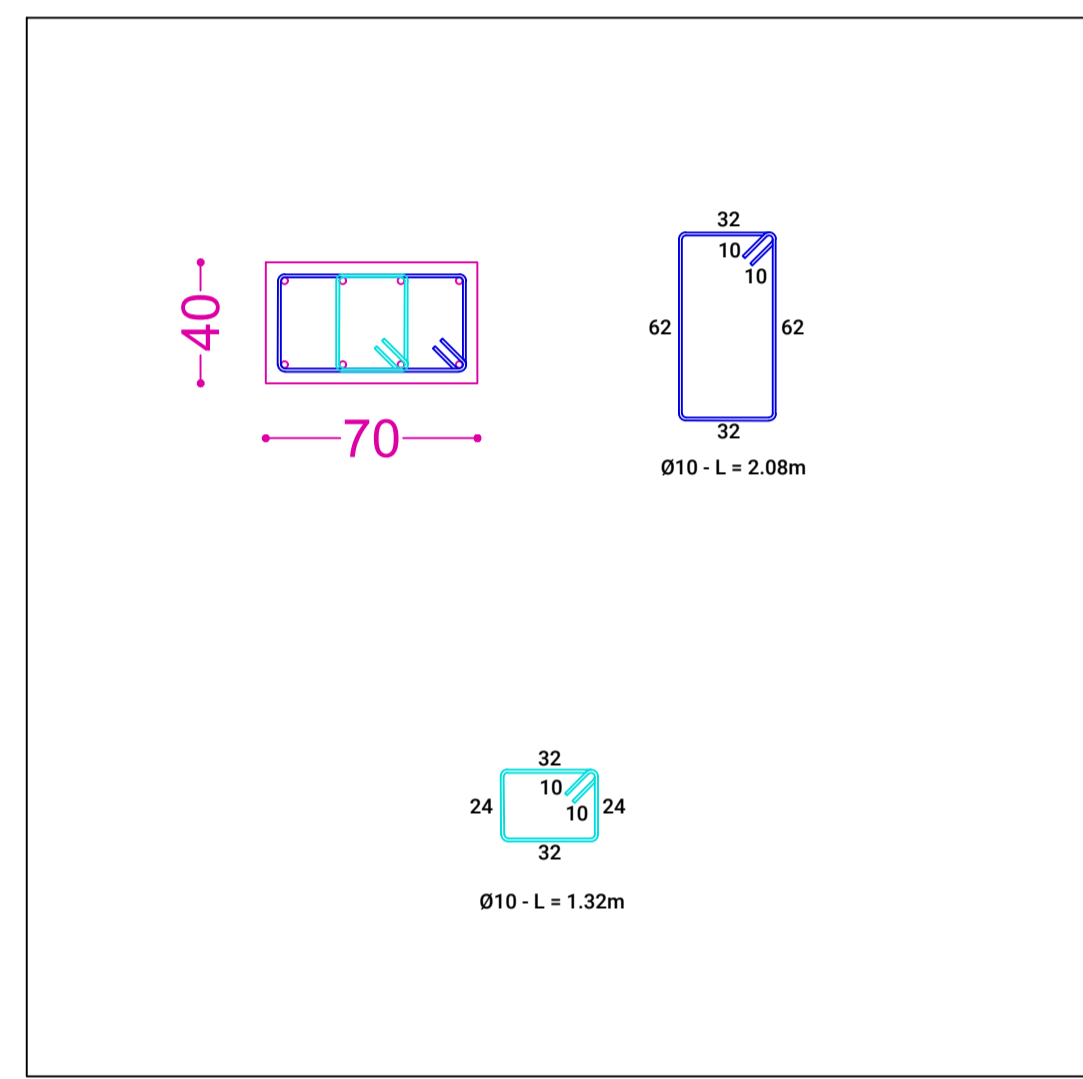
Section A-A
1:25



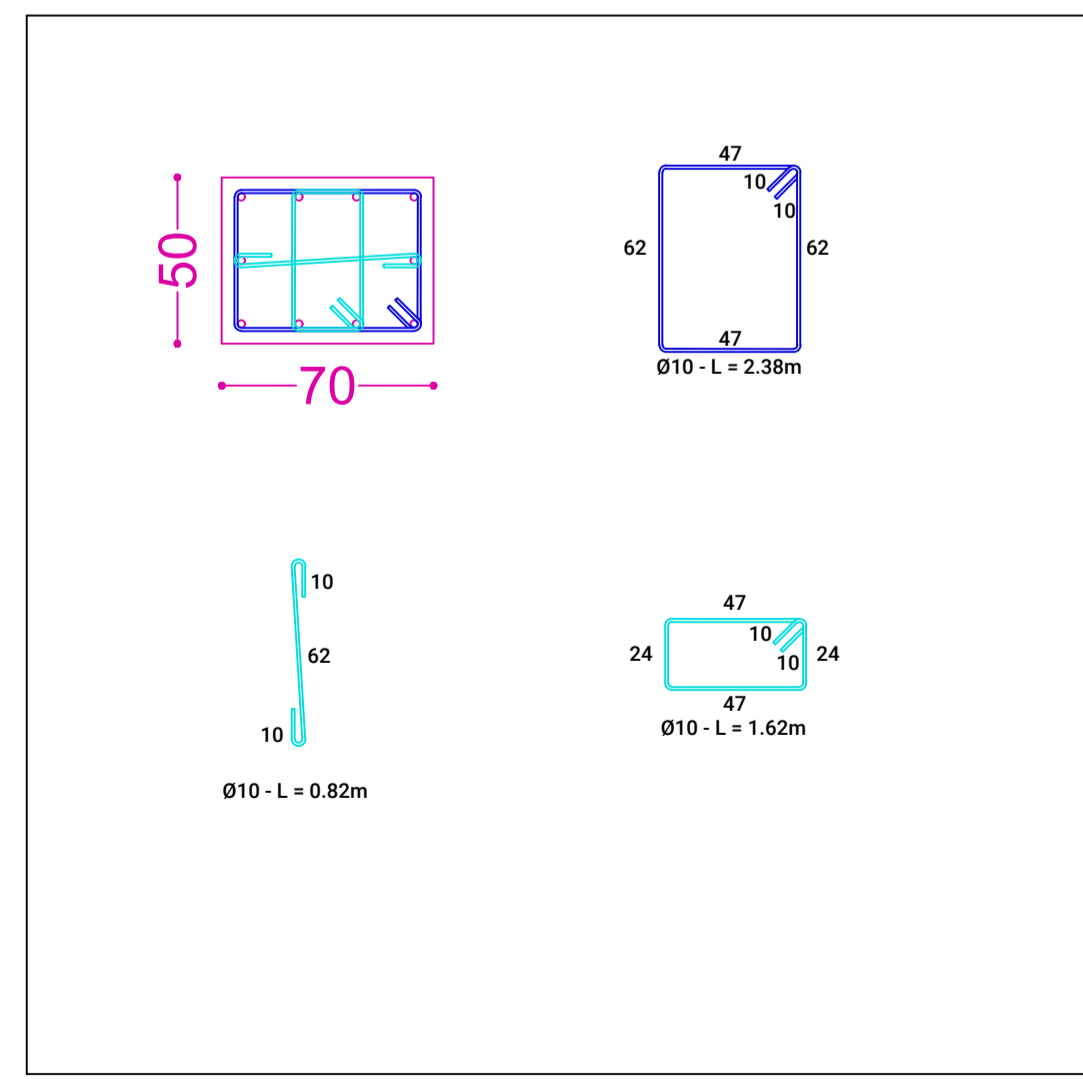
Section B-B
1:25



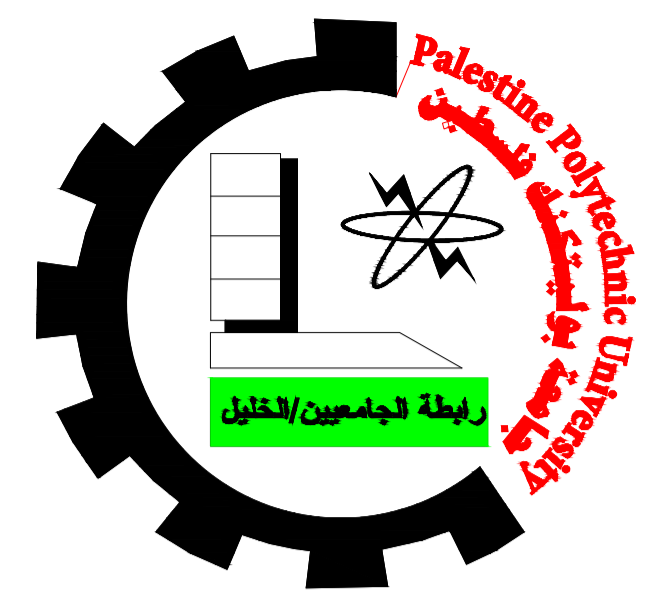
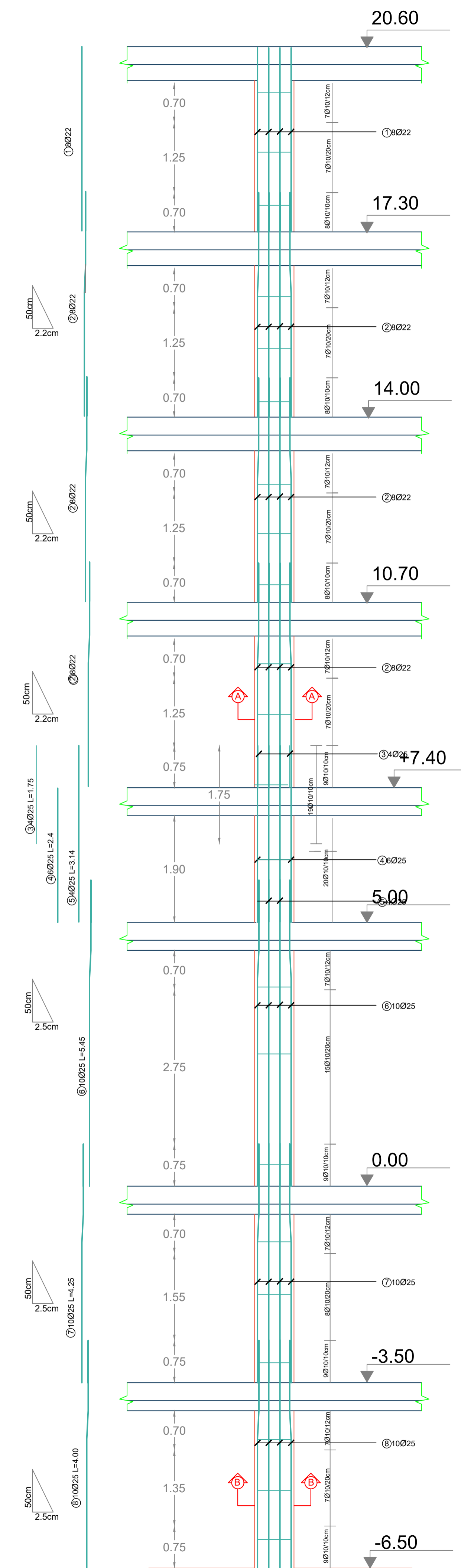
S 203 **Column - C4**
Scale: 1:50



Section A-A
1:25



Section B-B
1:25



Palestine Polytechnic University
Engineering College
Civil Engineering Department
Building Engineering
Al Ahd - Structural Design
Graduation Project

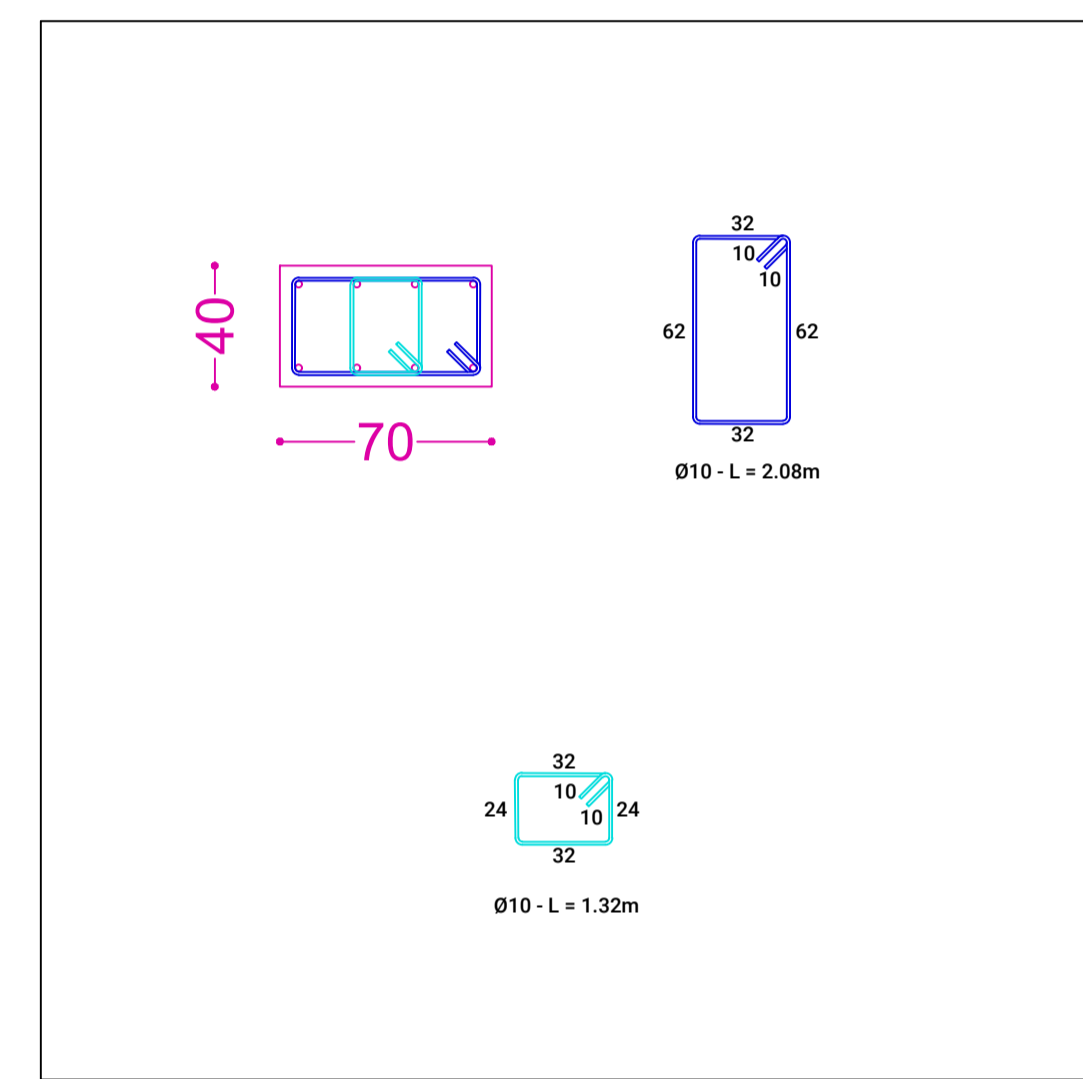
TITLE
Column Detailing

SUPERVISOR
Eng. Inas Shweki

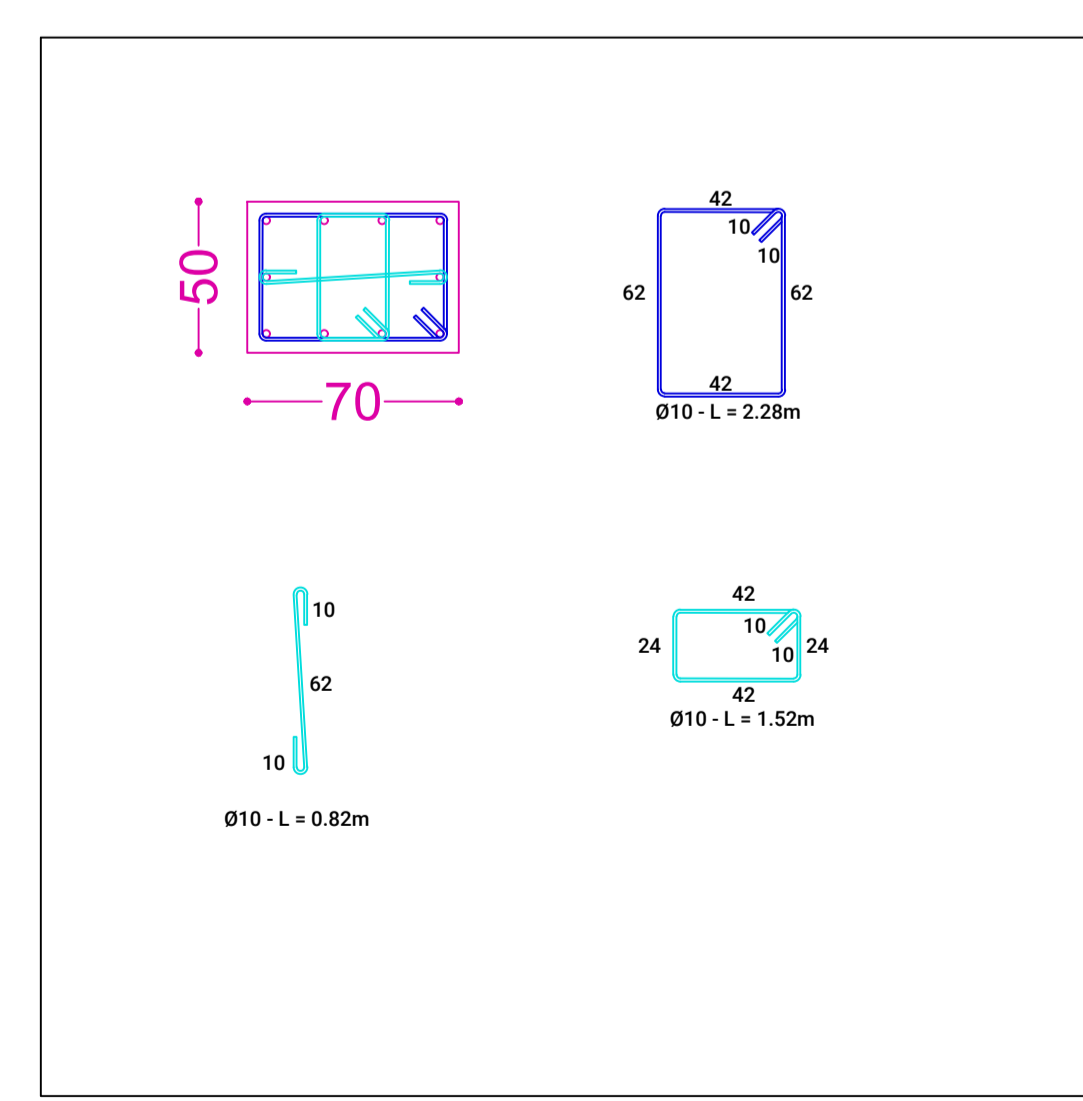
DONE BY
Ahmad Tamimi
Ismail Abu Dawod
Osama Qawasma

SCALE	1:50
NO OF DRAW	S 203
DATE	20/01/2024

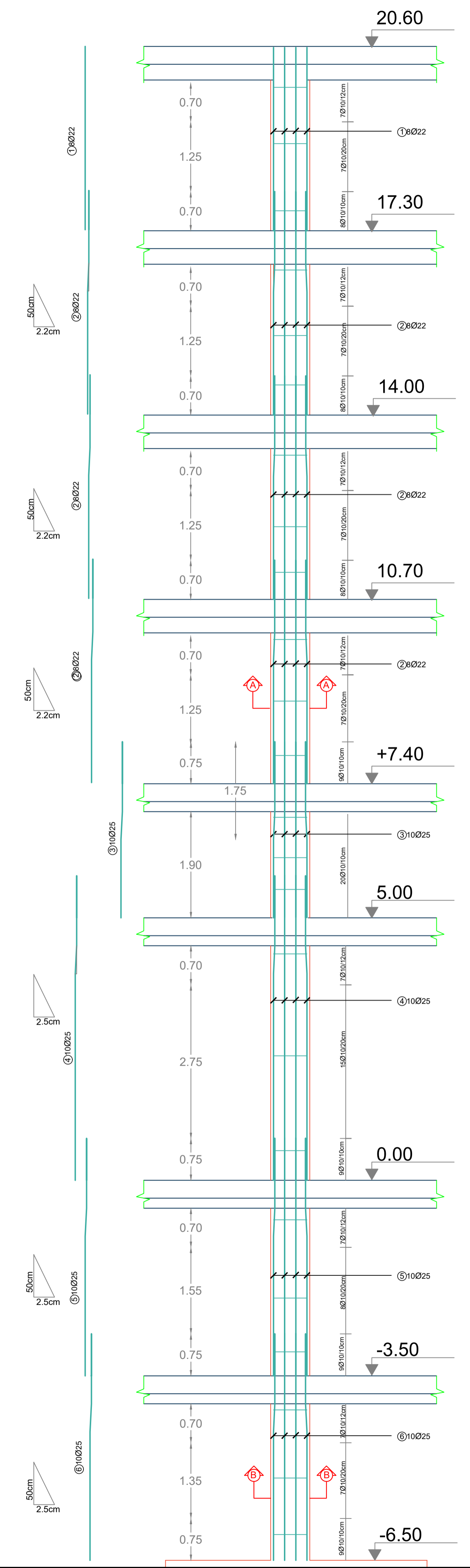
S 204 **Column - C5A**
Scale: 1:50



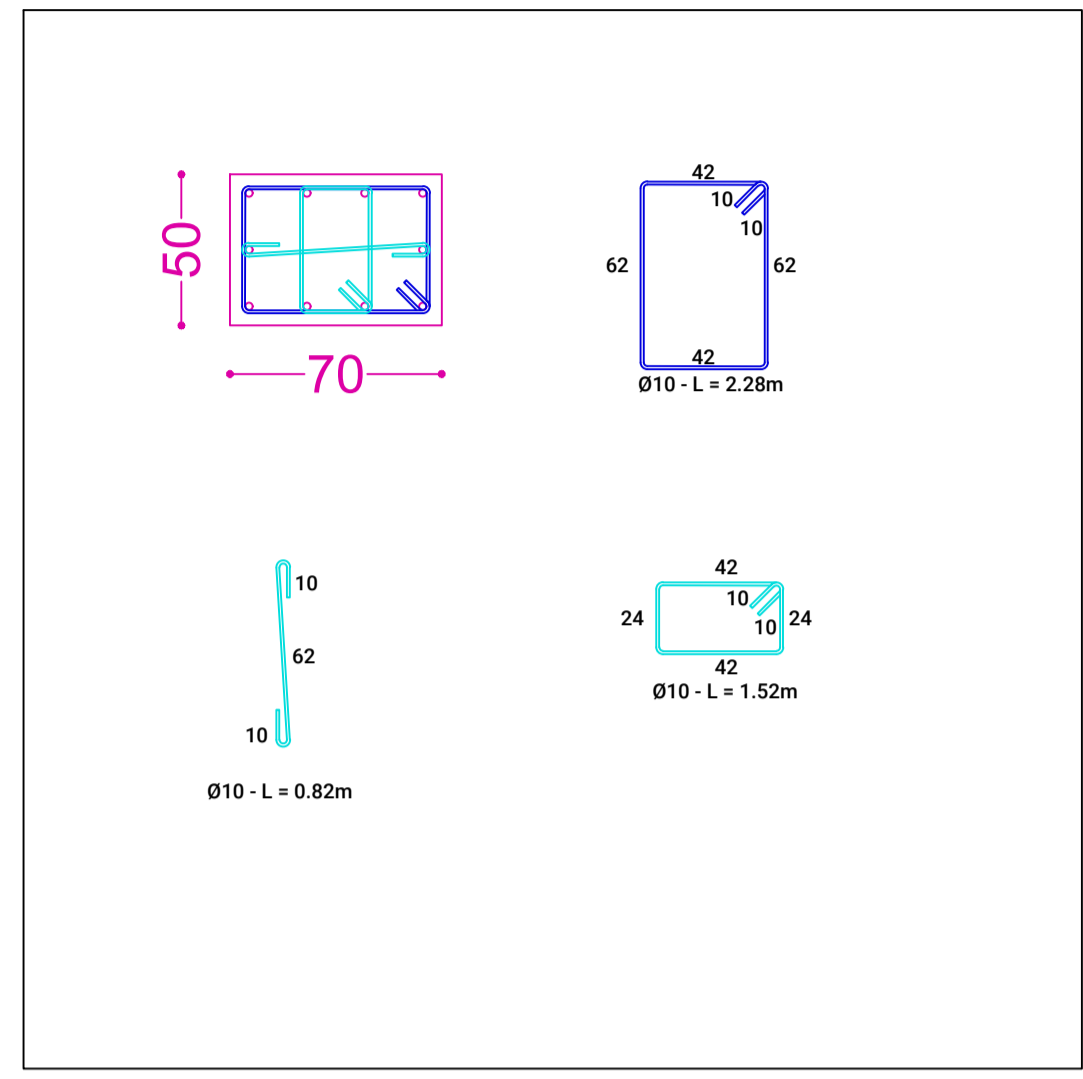
Section A-A
1:25



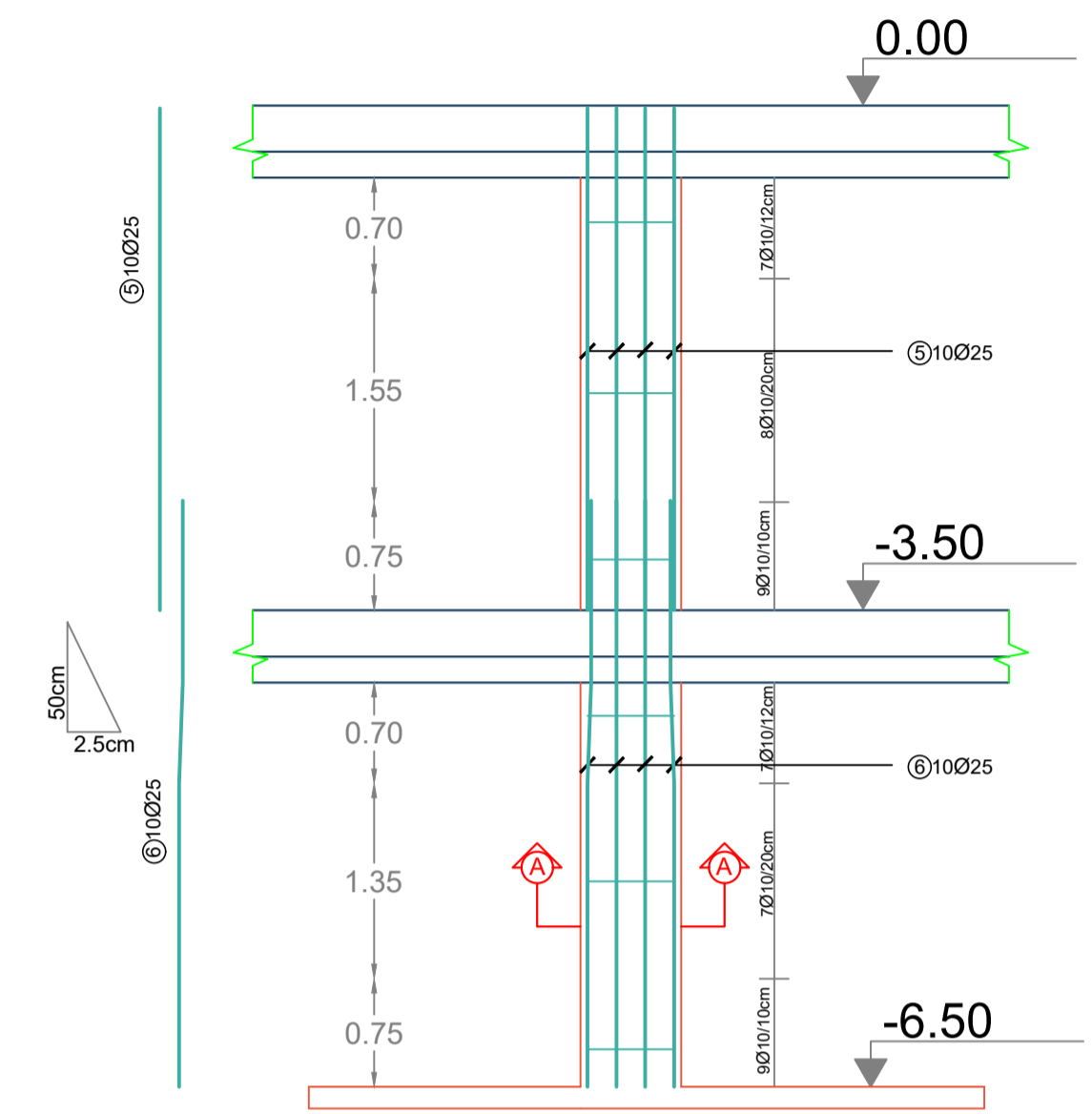
Section B-B
1:25



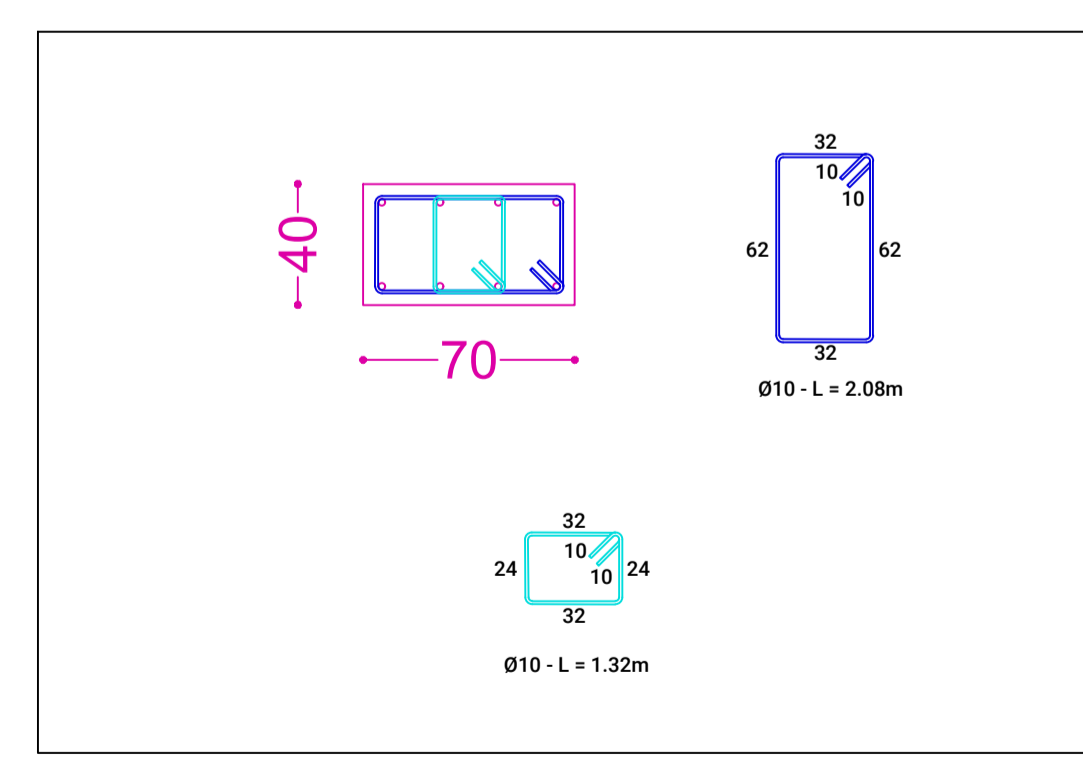
S 204 **Column - C5B**
Scale: 1:50



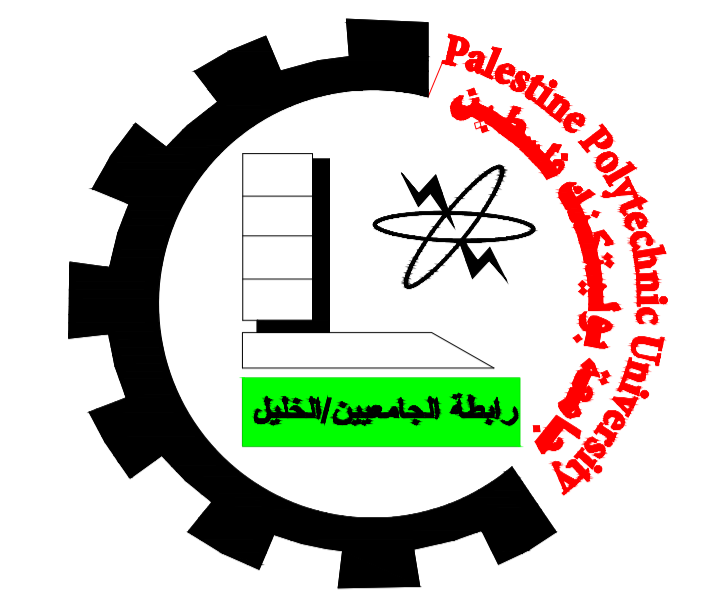
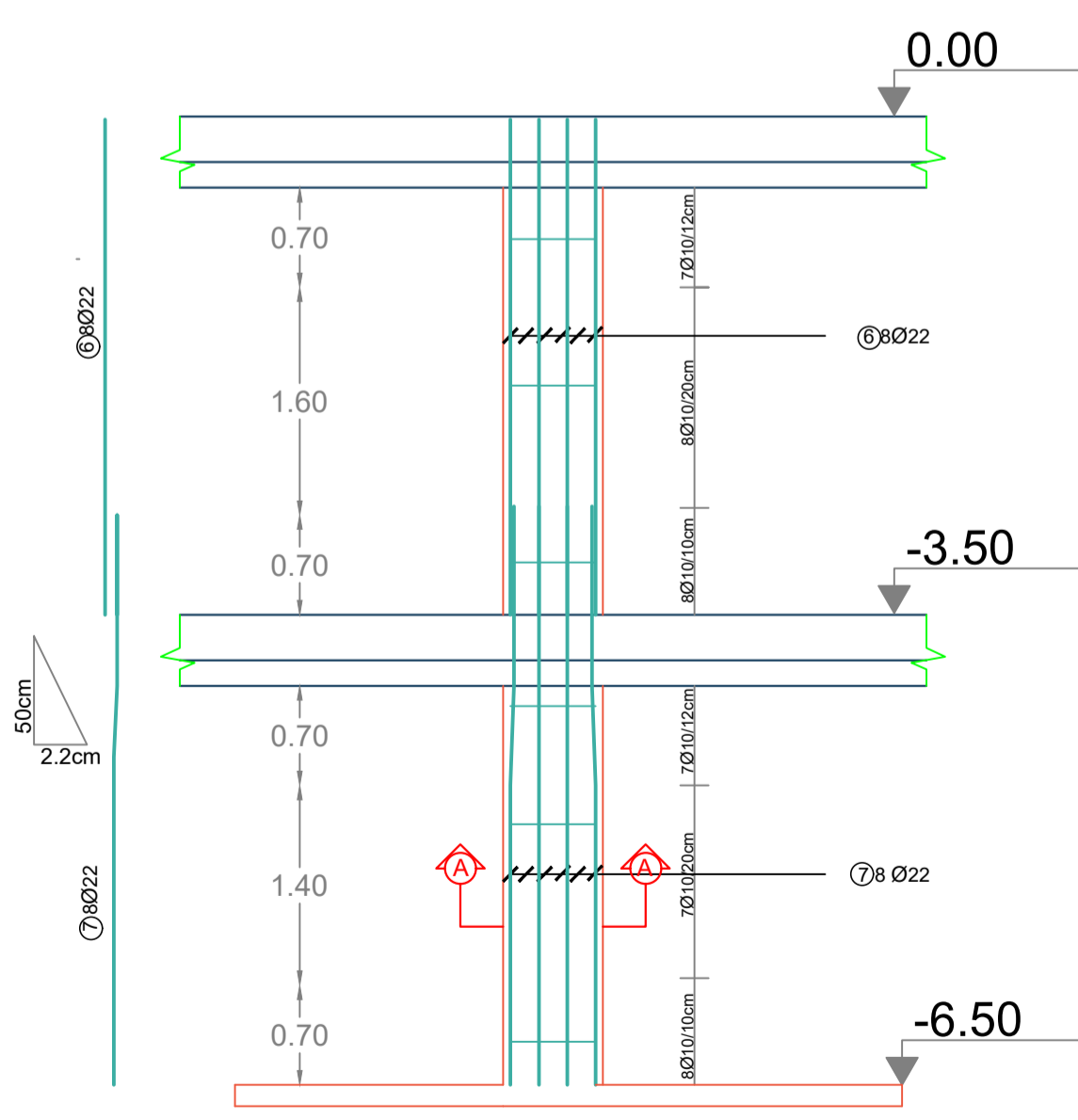
Section A-A
1:25



S 204 **Column - C6c**
Scale: 1:50



Section A-A
1:50



Palestine Polytechnic University
Engineering College
Civil Engineering Department
Building Engineering
Al Ahd - Structural Design
Graduation Project

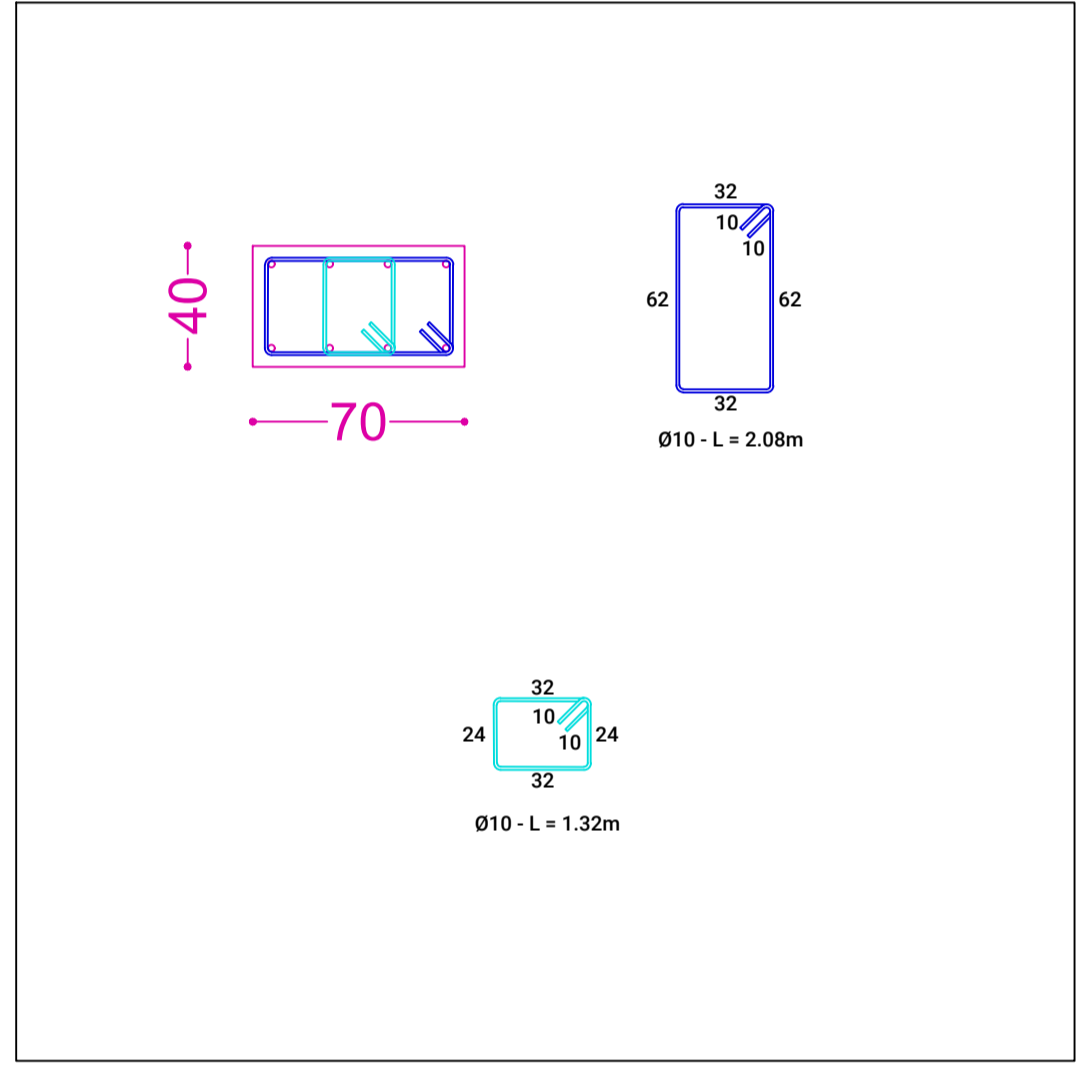
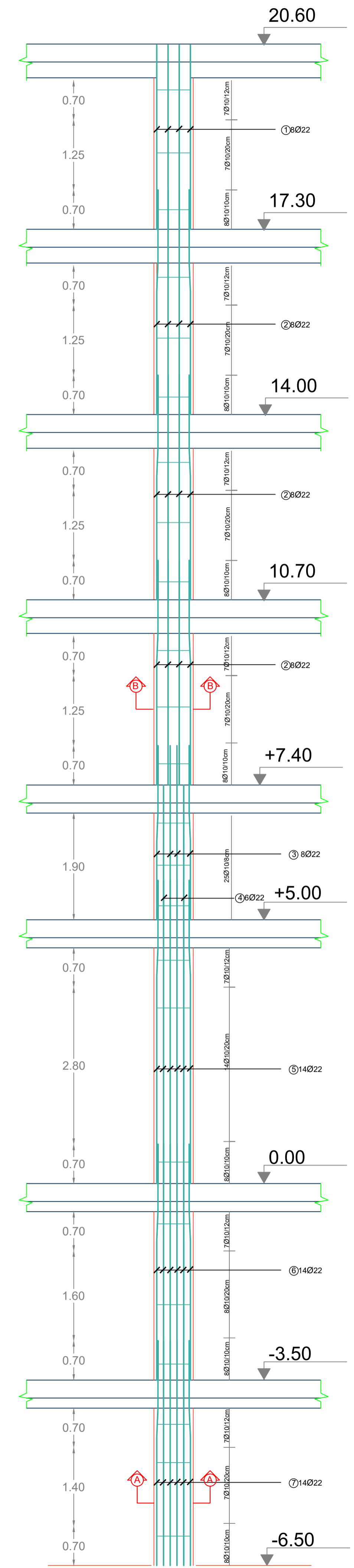
TITLE
Column Detailing

SUPERVISOR
Eng. Inas Shweki

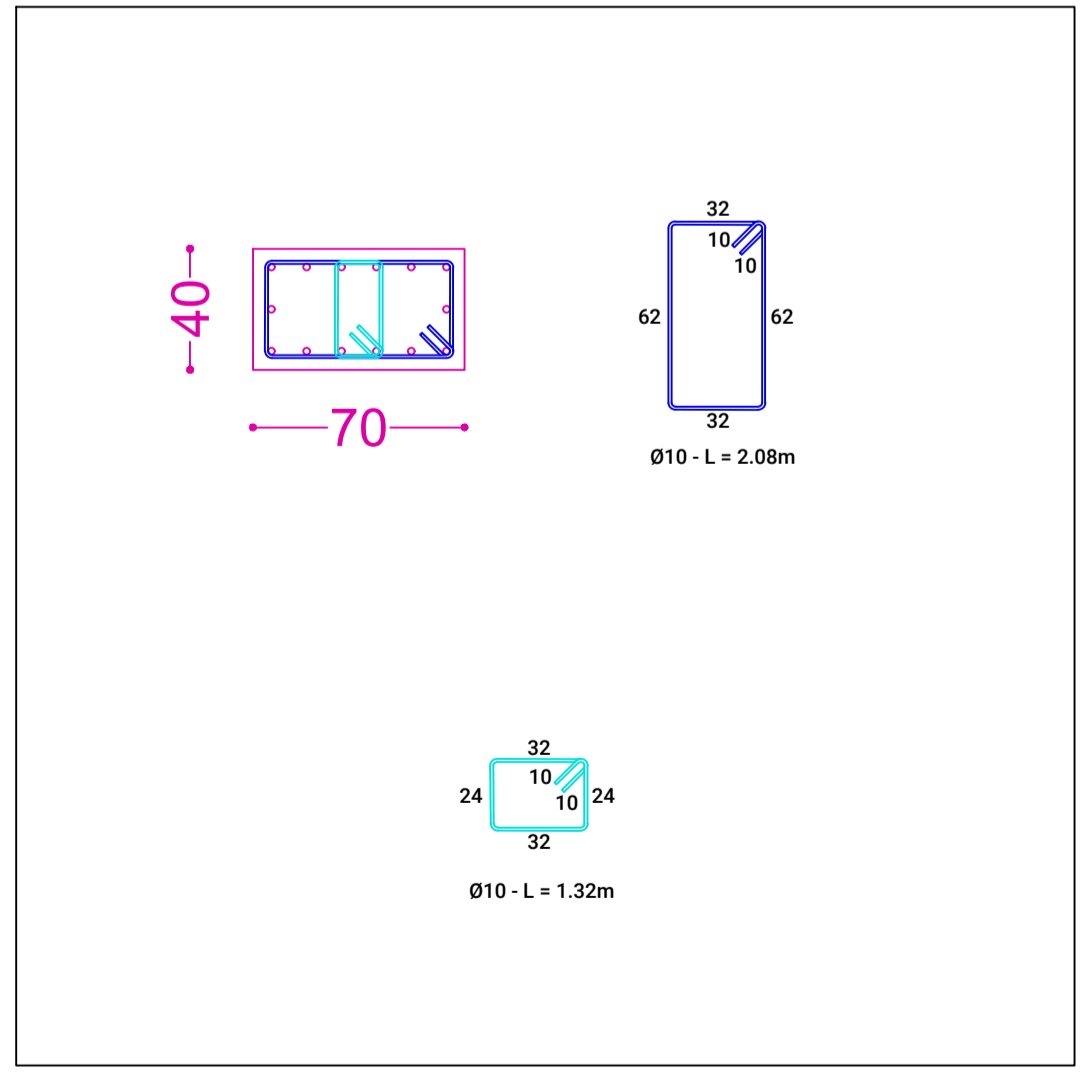
DONE BY
Ahmad Tamimi
Ismail Abu Dawod
Osama Qawasma

SCALE	1:50
NO OF DRAW	S 204
DATE	20/01/2024

S 205 **Column - C6A**
Scale: 1:50

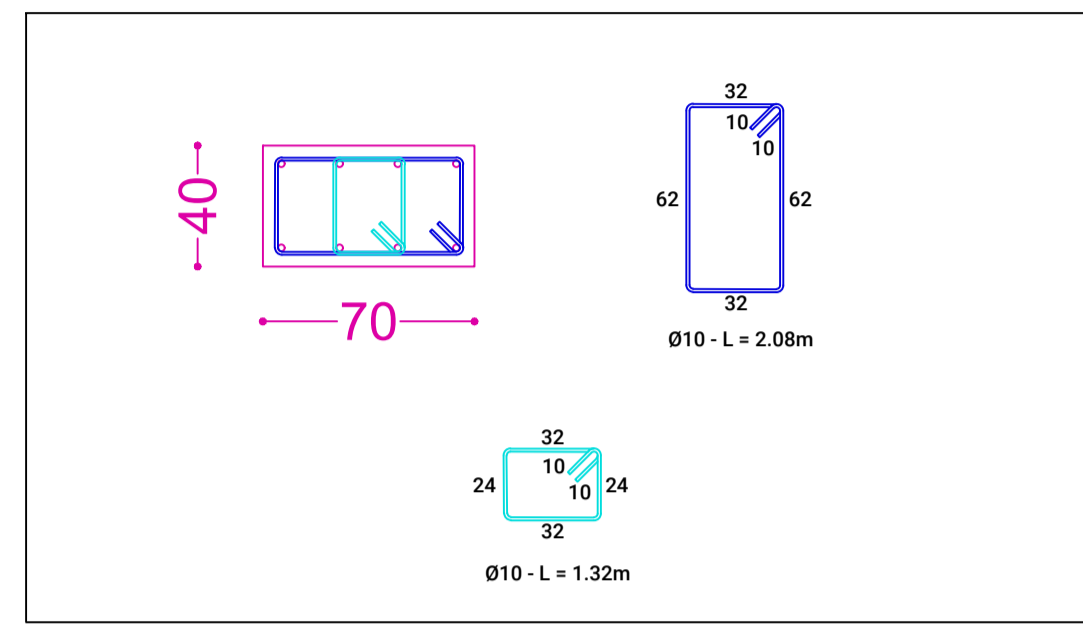
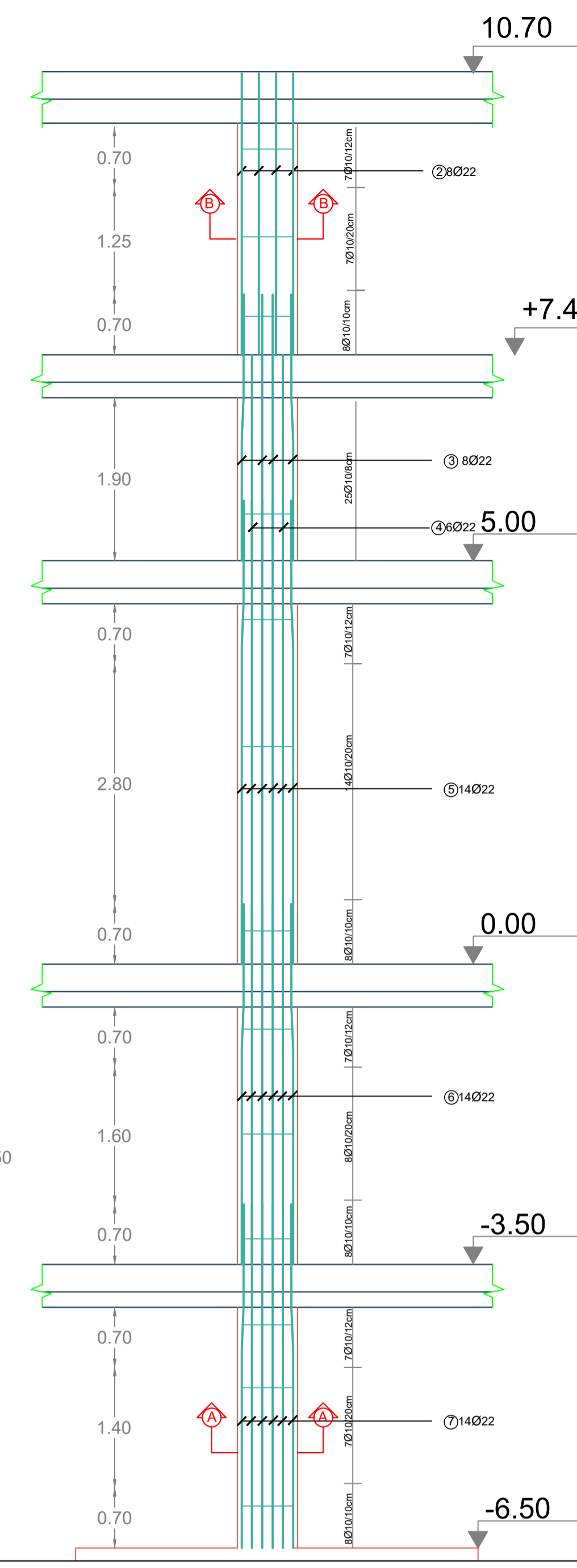


Section B-B
1:25

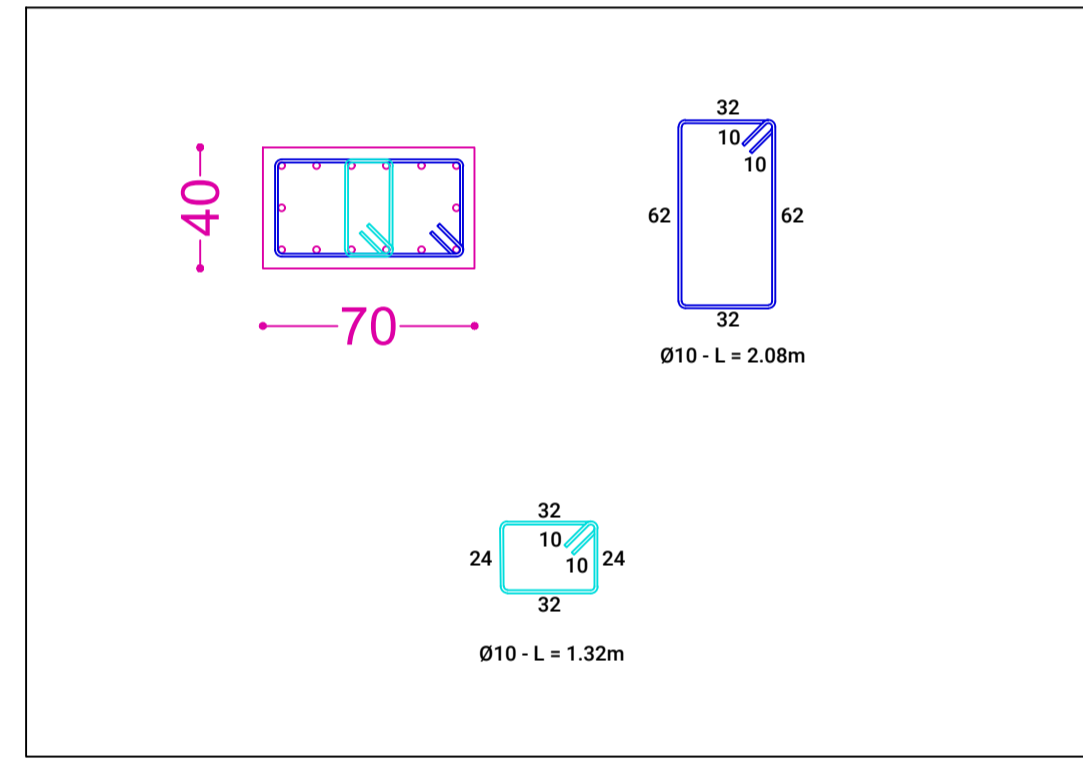


Section A-A
1:25

S 205 **Column - C6B**
Scale: 1:50

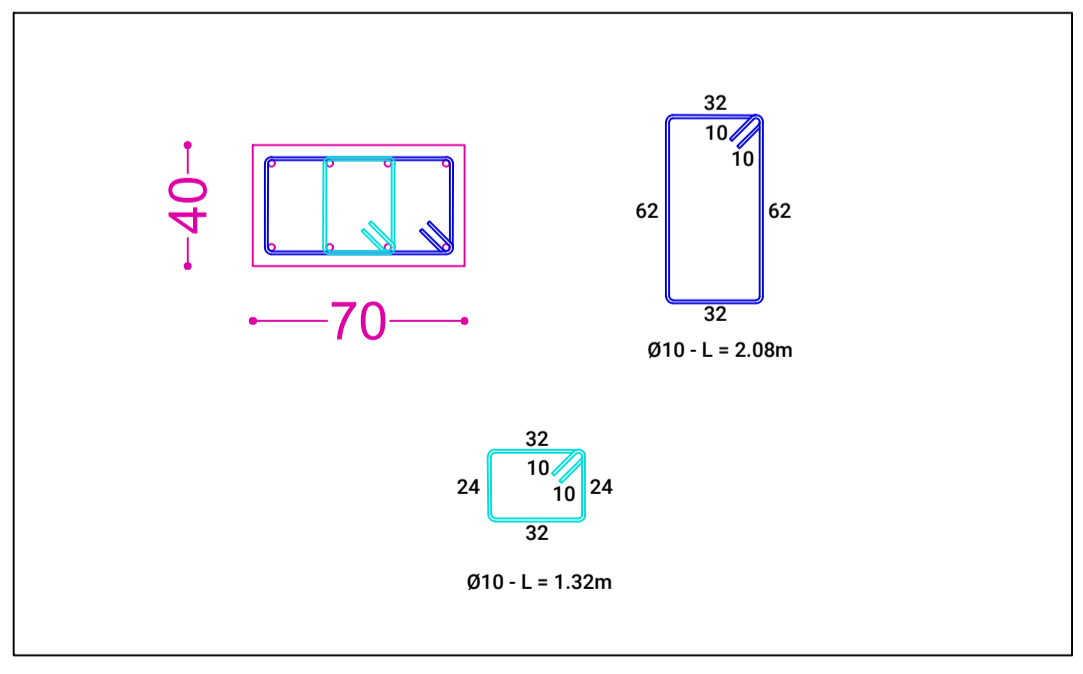
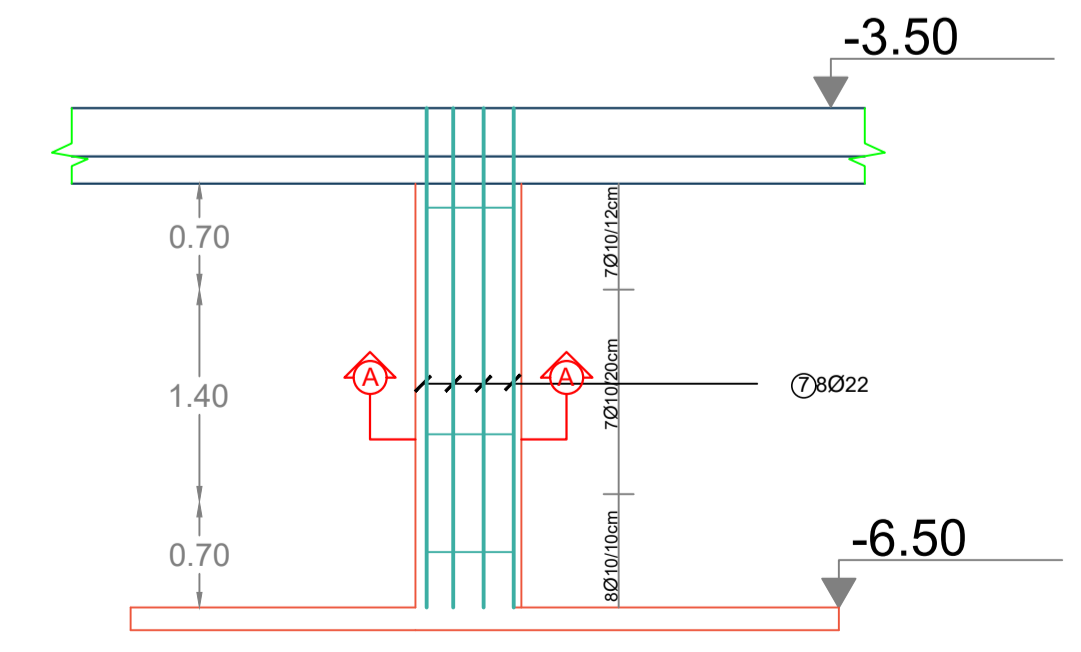


Section B-B
1:25

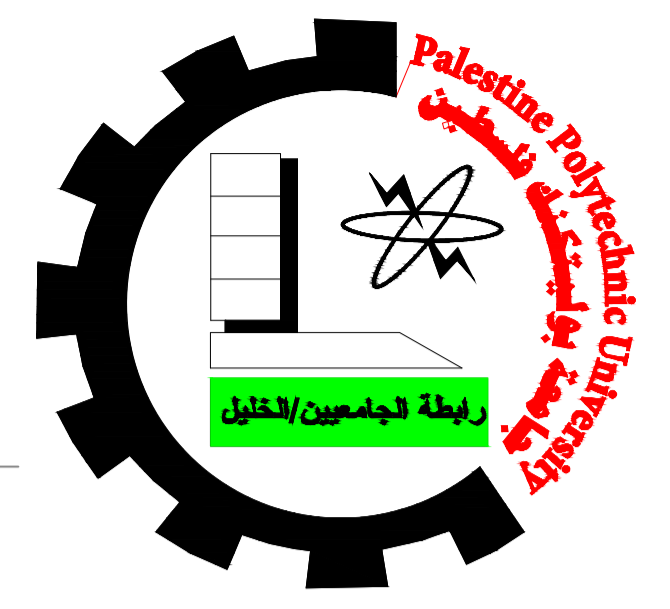


Section A-A
1:25

S 205 **Column - C6D**
Scale: 1:50



Section A-A
1:25



Palestine Polytechnic University
Engineering College
Civil Engineering Department
Building Engineering
Al Ahd - Structural Design
Graduation Project

TITLE
Column Detailing

SUPERVISOR
Eng. Inas Shweki

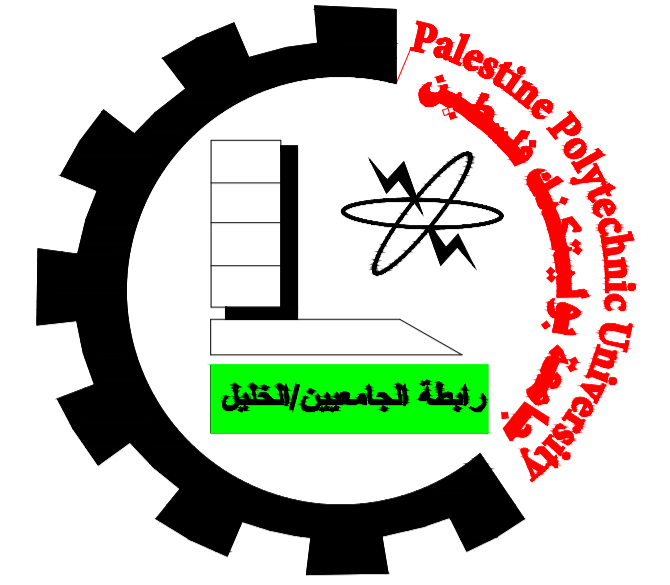
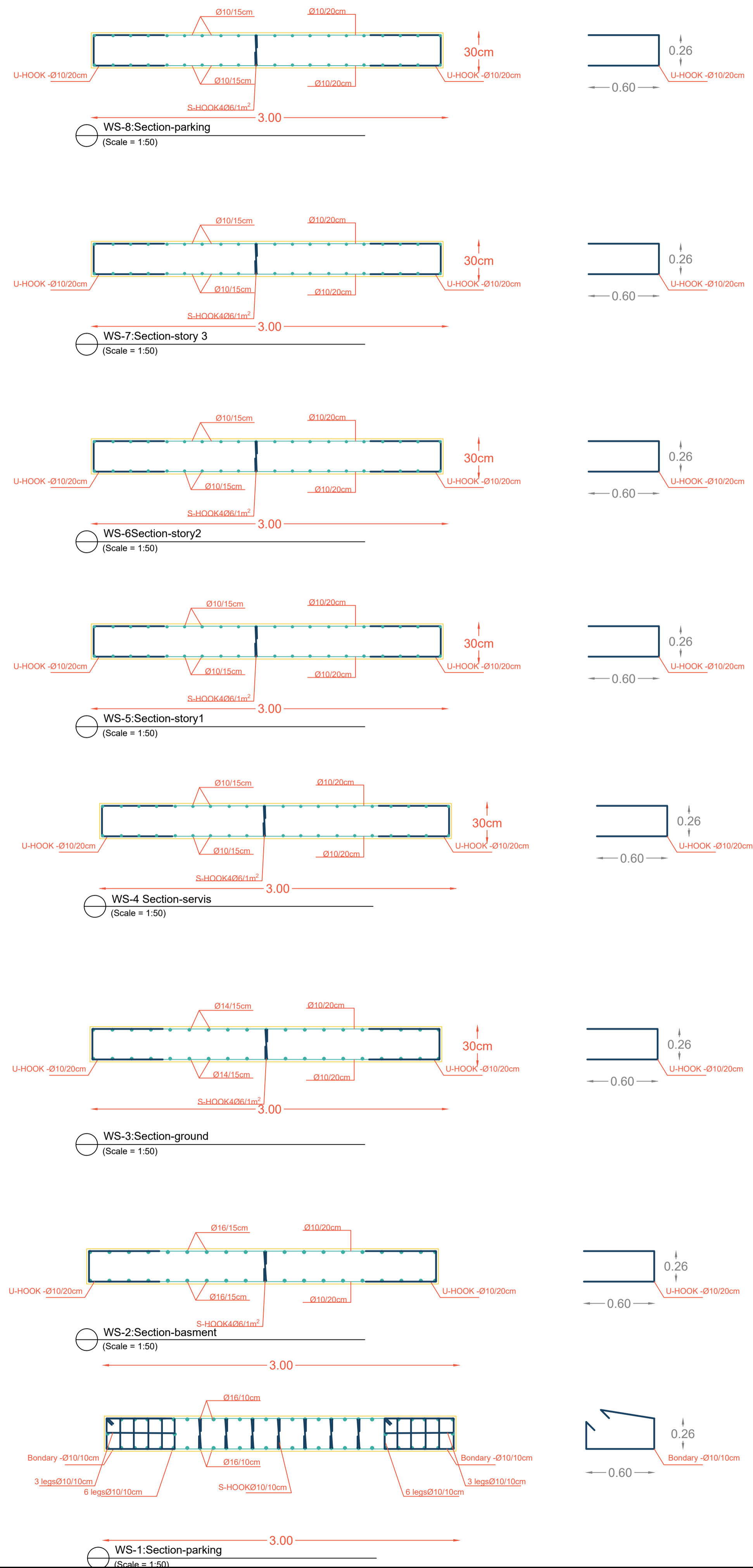
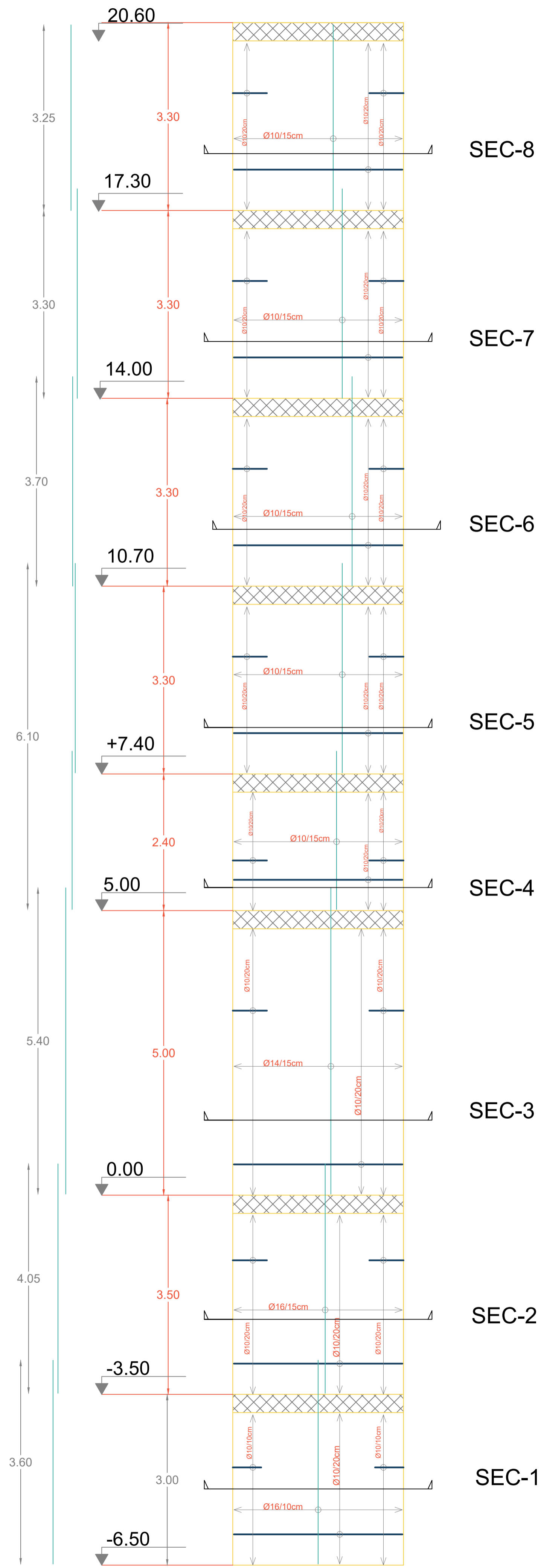
DONE BY
Ahmad Tamimi
Ismail Abu Dawod
Osama Qawasma

SCALE	1:50
NO OF DRAW	S 205
DATE	20/01/2024

Wall Detailing Wall 1

Scale: 1:50

S 301



Palestine Polytechnic University
 Engineering College
 Civil Engineering Department
 Building Engineering
 Al Ahd - Structural Design
 Graduation Project

TITLE
 Wall Detailing
 WALL 1

SUPERVISOR
 Eng. Inas Shweki

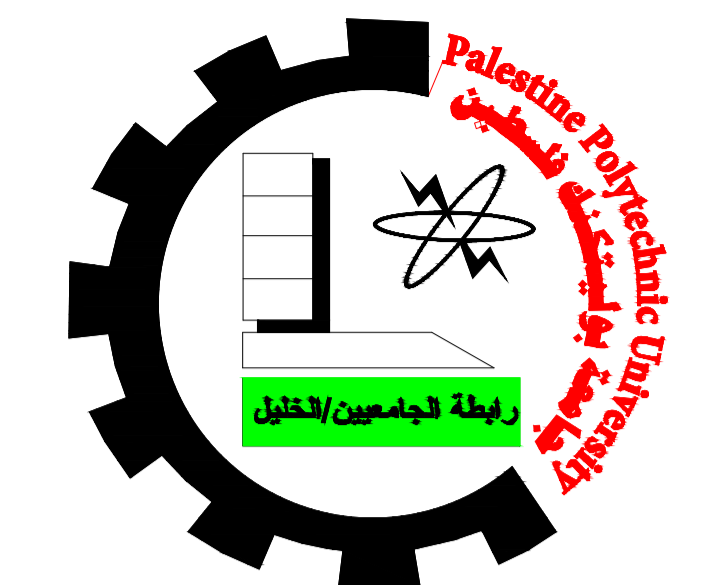
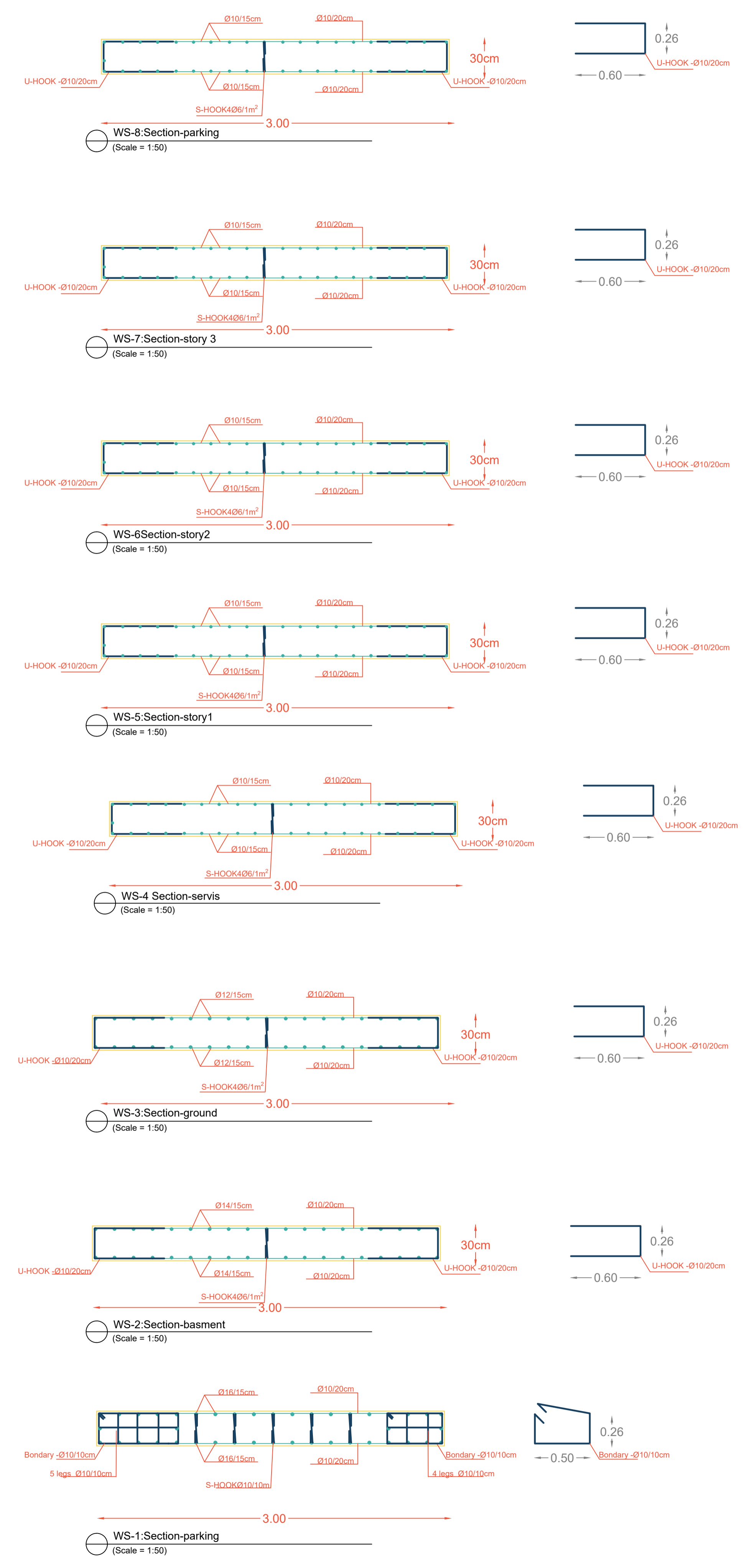
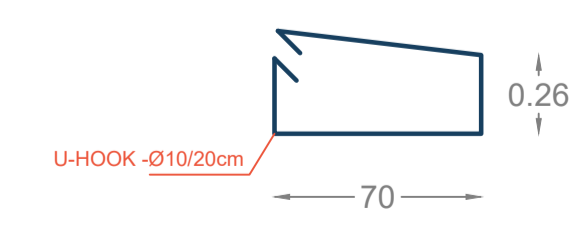
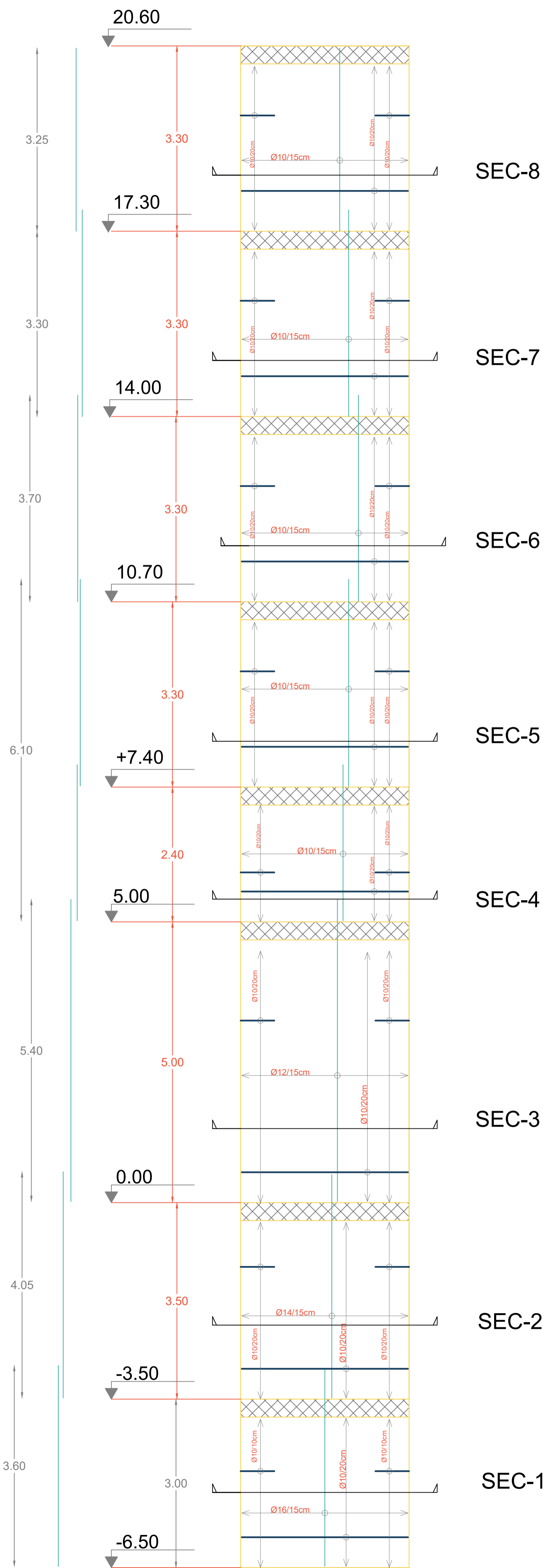
DONE BY
 Ahmad Tamimi
 Ismail Abu Dawod
 Osama Qawasma

SCALE	1:50
NO OF DRAW	S 301
DATE	20/01/2024

Wall Detailing Wall 2

Scale: 1:50

S 302



Palestine Polytechnic University
 Engineering College
 Civil Engineering Department
 Building Engineering
 Al Ahd - Structural Design
 Graduation Project

TITLE
 Wall Detailing
 WALL 2

SUPERVISOR
 Eng. Inas Shweki

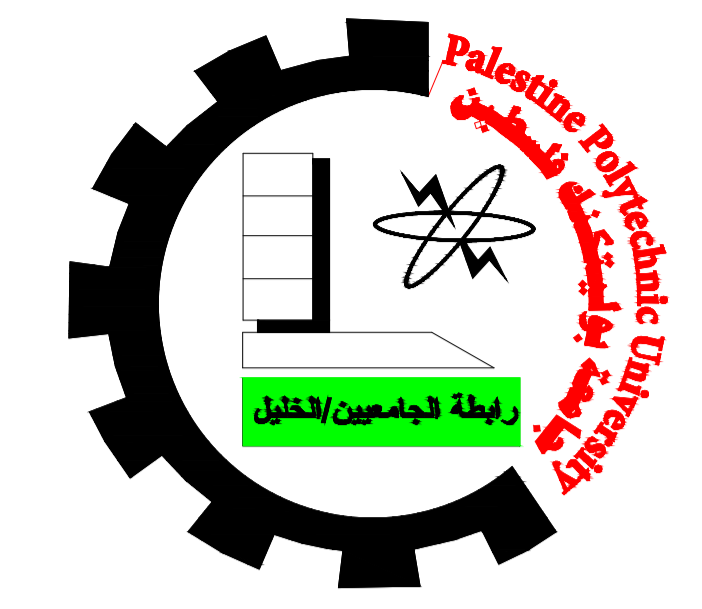
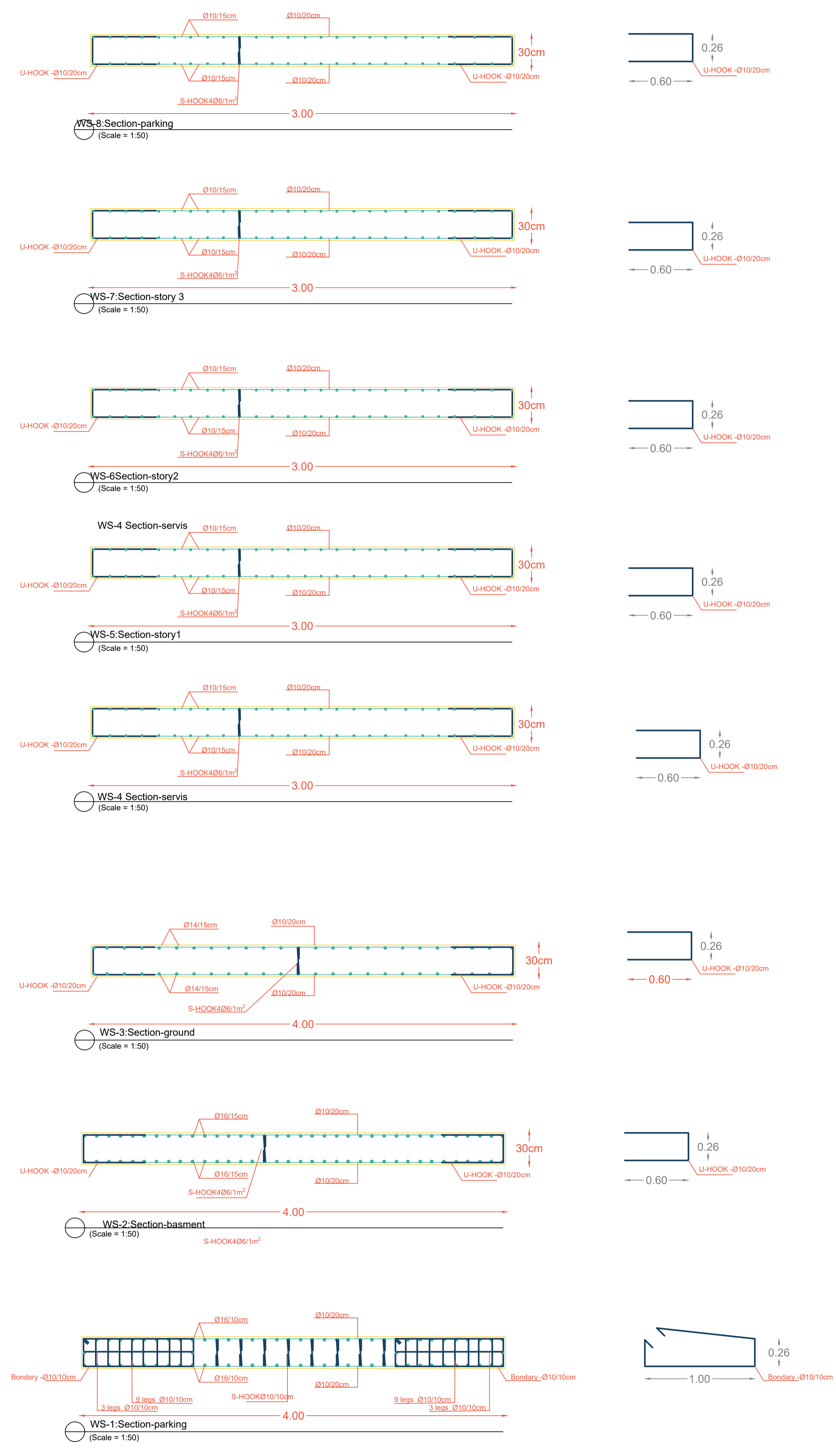
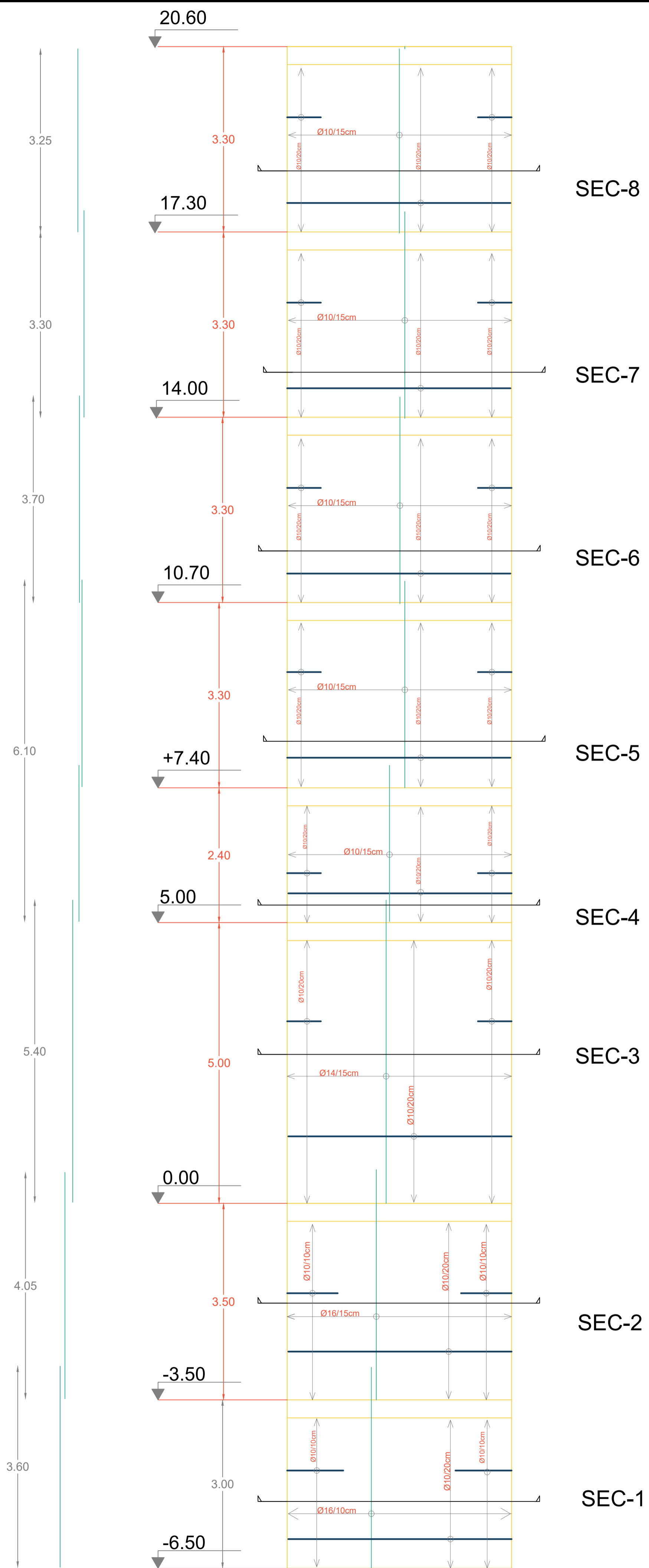
DONE BY
 Ahmad Tamimi
 Ismail Abu Dawod
 Osama Qawasma

SCALE	1:50
NO OF DRAW	S 302
DATE	20/01/2024

Wall Detailing Wall 3

Scale: 1:50

S 303



Palestine Polytechnic University
 Engineering College
 Civil Engineering Department
 Building Engineering
 Al Ahd - Structural Design
 Graduation Project

TITLE
 Wall Detailing
 WALL3

SUPERVISOR
 Eng. Inas Shweki

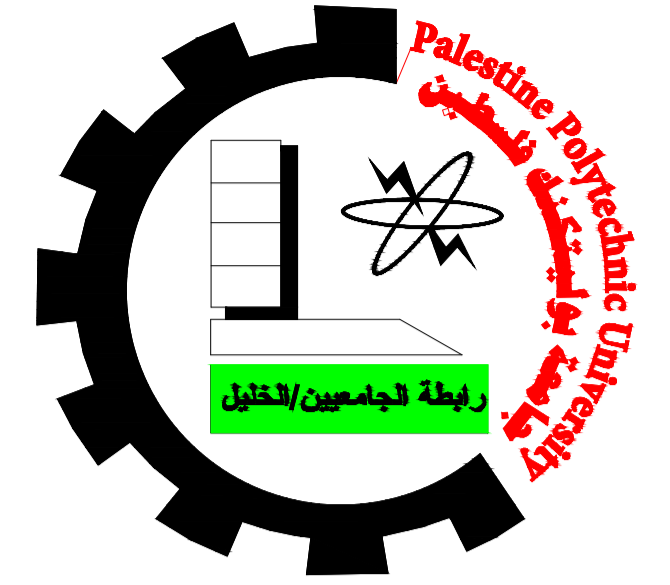
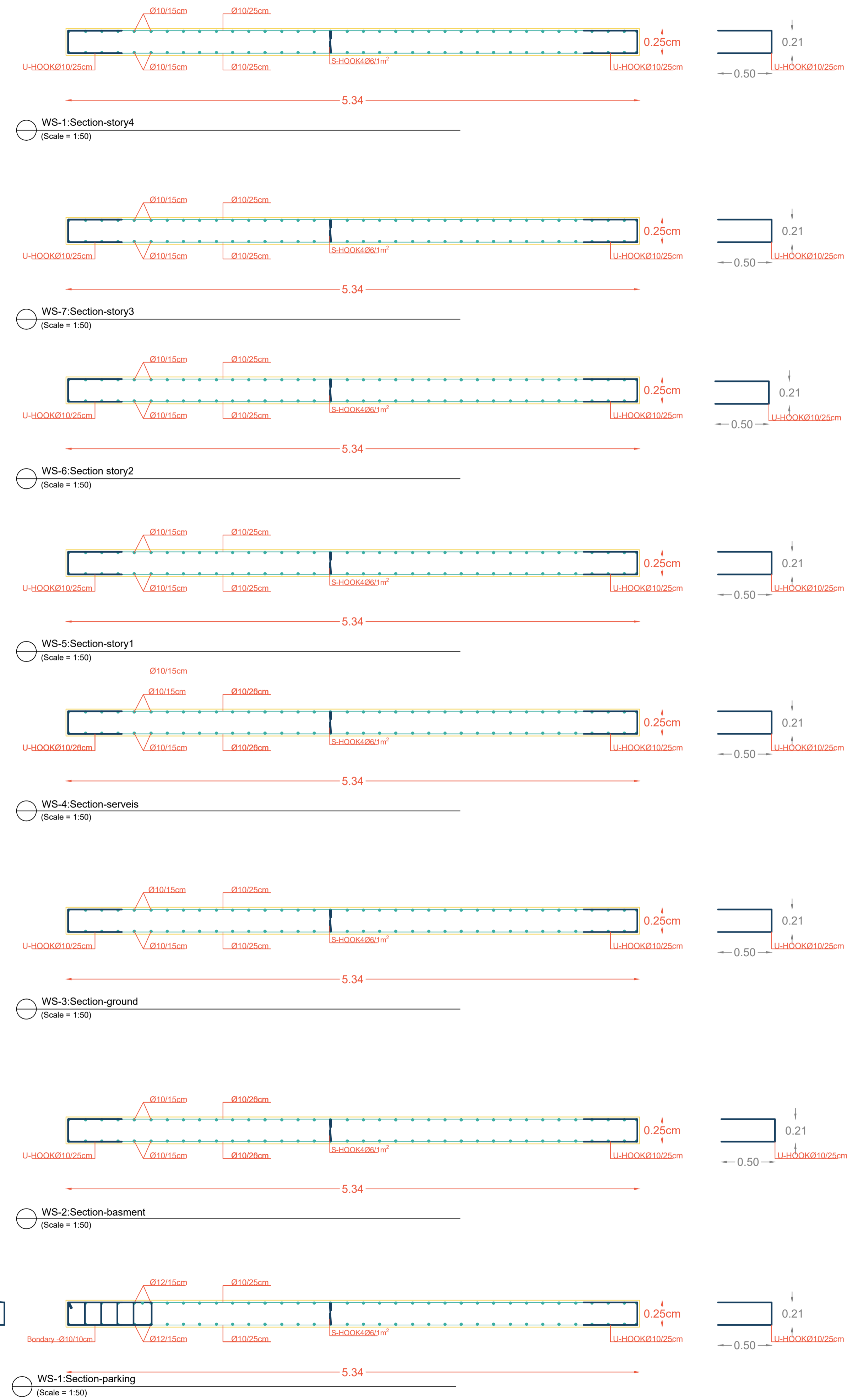
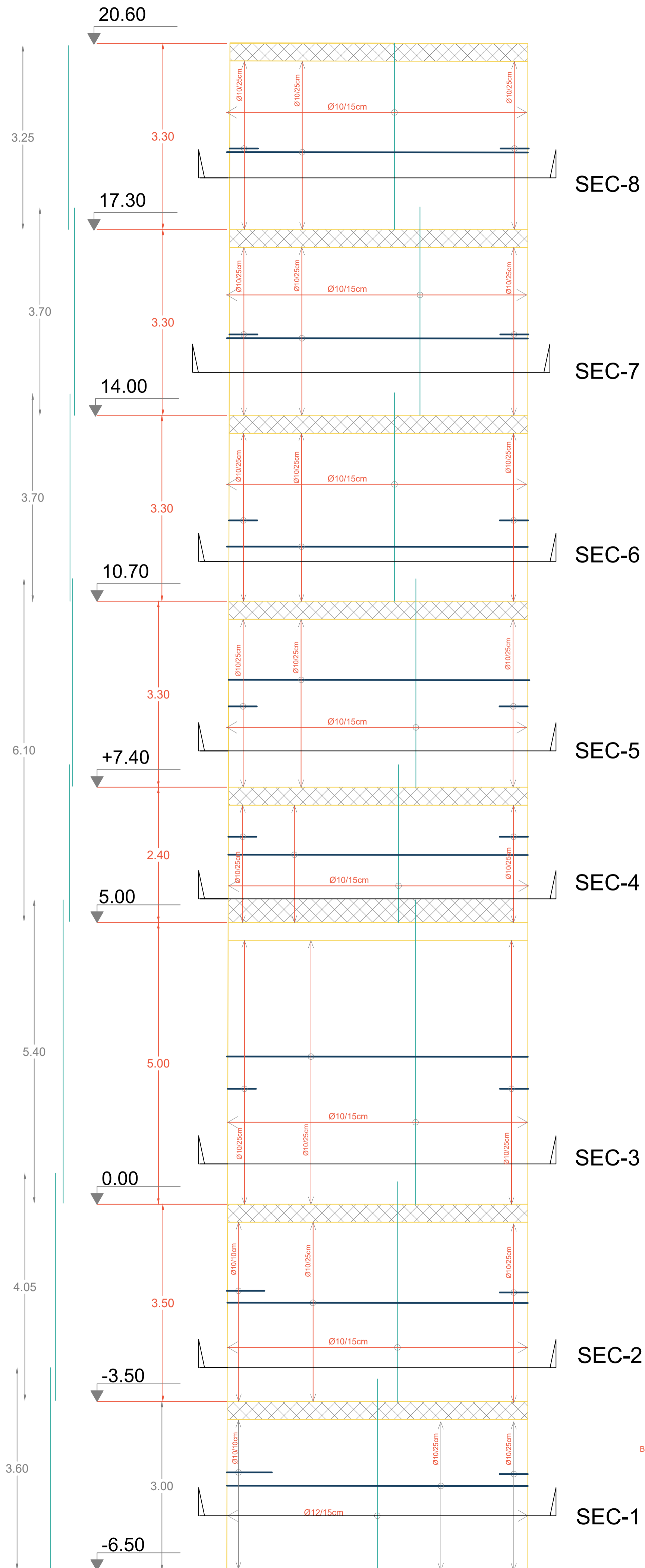
DONE BY
 Ahmad Tamimi
 Ismail Abu Dawod
 Osama Qawasma

SCALE	1:50
NO OF DRAW	S 303
DATE	20/01/2024

Wall Detailing Wall 5

Scale: 1:50

S 305



Palestine Polytechnic University
 Engineering College
 Civil Engineering Department
 Building Engineering
 Al Ahd - Structural Design
 Graduation Project

TITLE
 Wall Detailing
 WALL 5

SUPERVISOR
 Eng. Inas Shweki

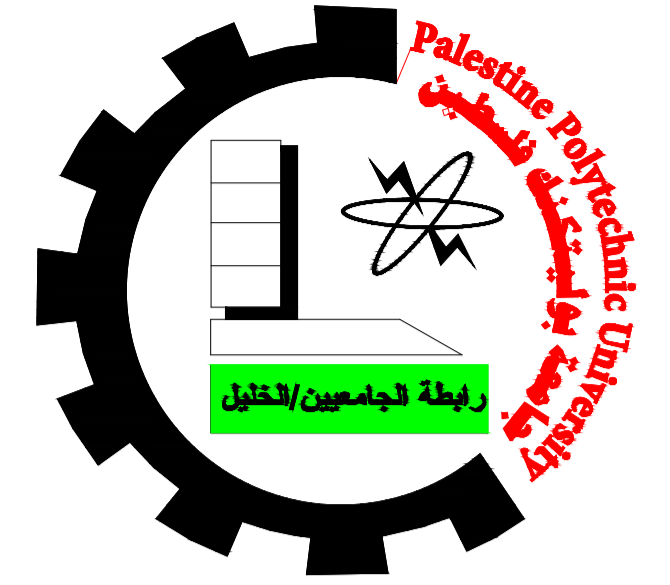
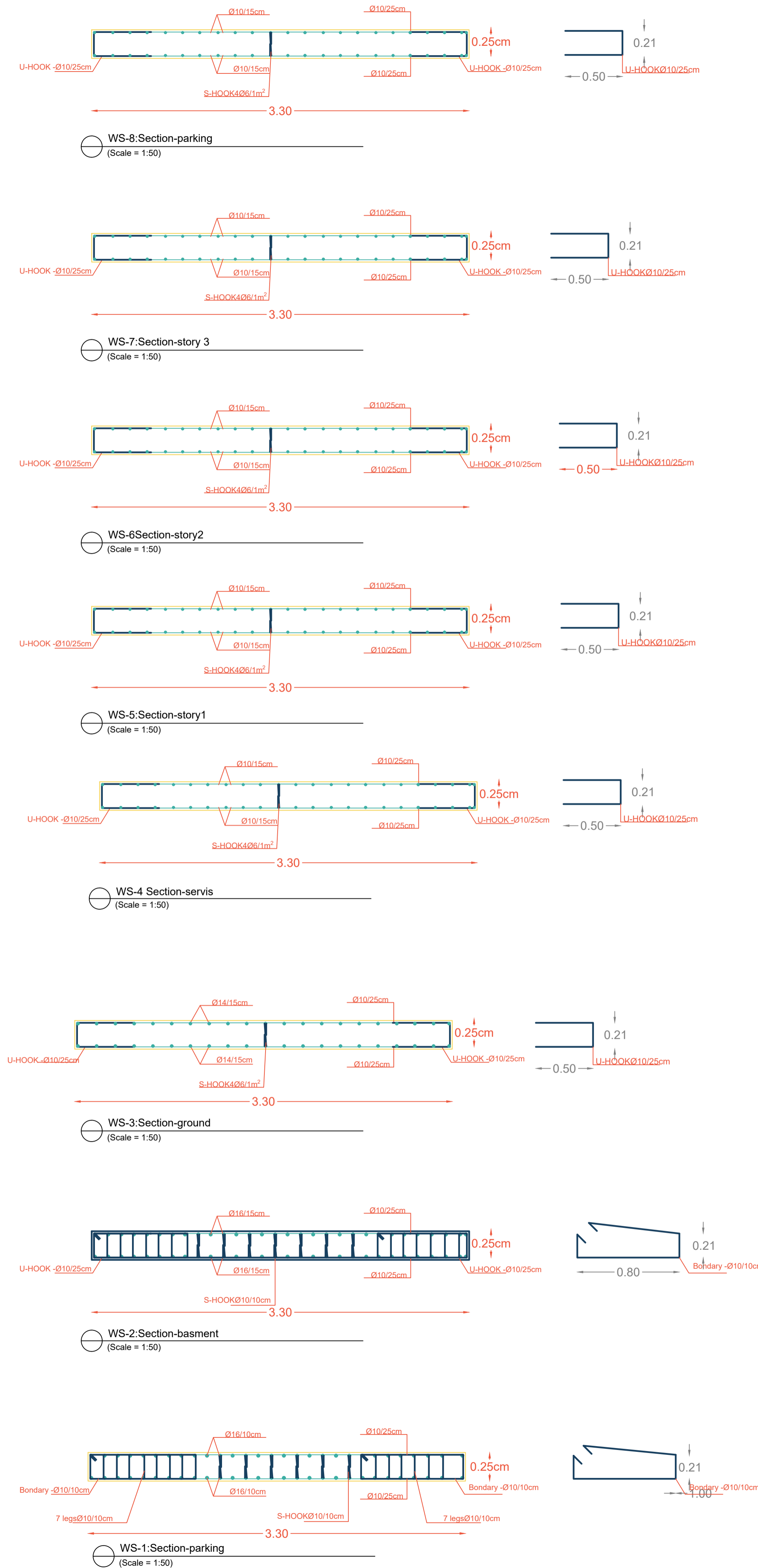
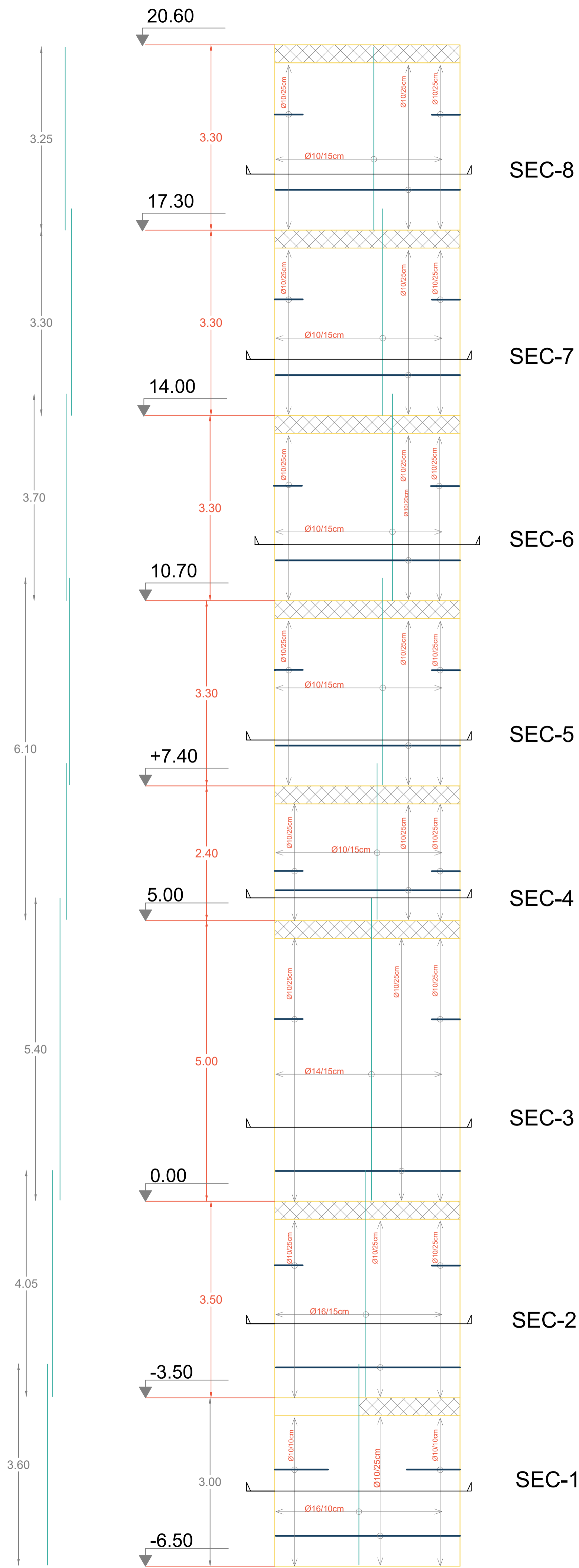
DONE BY
 Ahmad Tamimi
 Ismail Abu Dawod
 Osama Qawasma

SCALE	1:50
NO OF DRAW	S 305
DATE	20/01/2024

Wall Detailing Wall 6

Scale: 1:50

S 306



Palestine Polytechnic University
 Engineering College
 Civil Engineering Department
 Building Engineering
 Al Ahd - Structural Design
 Graduation Project

TITLE
 Wall Detailing
 WALL 6

SUPERVISOR
 Eng. Inas Shweki

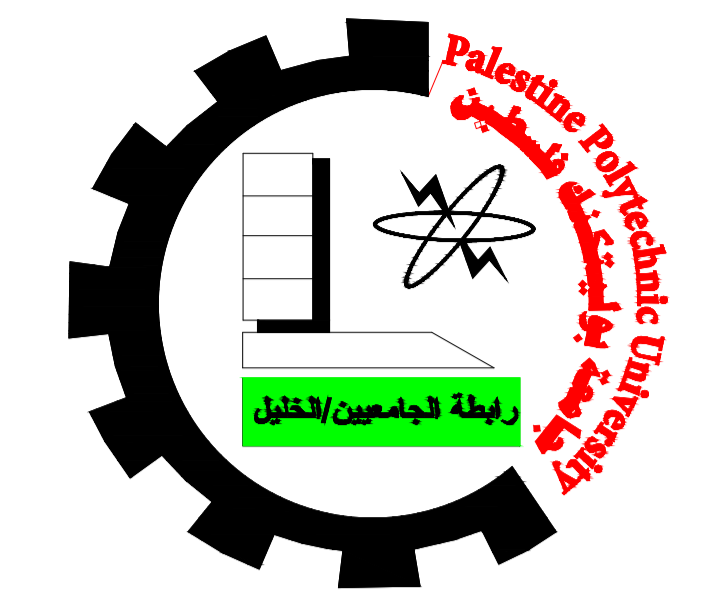
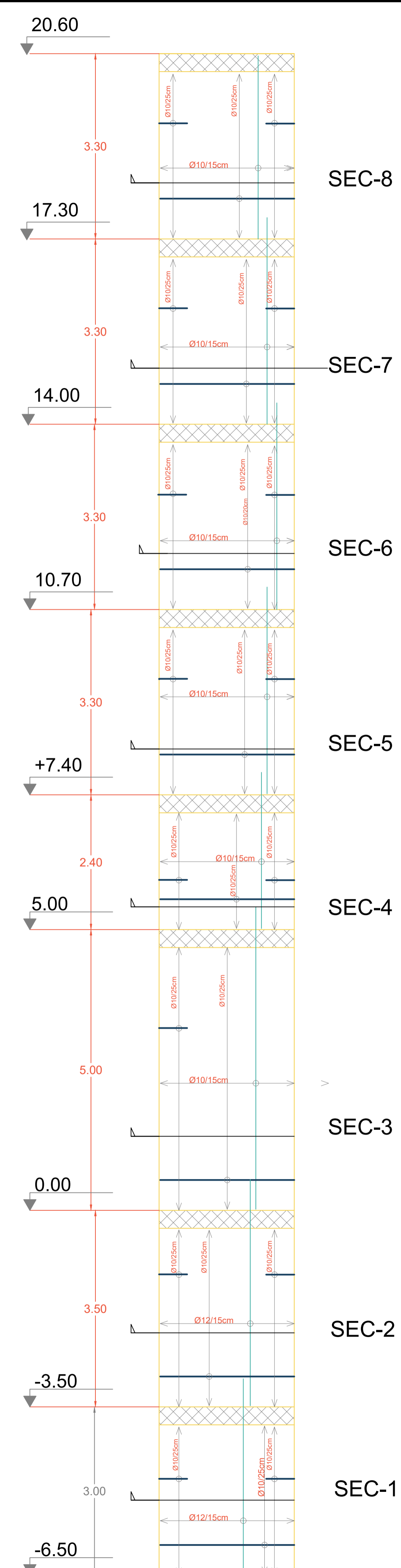
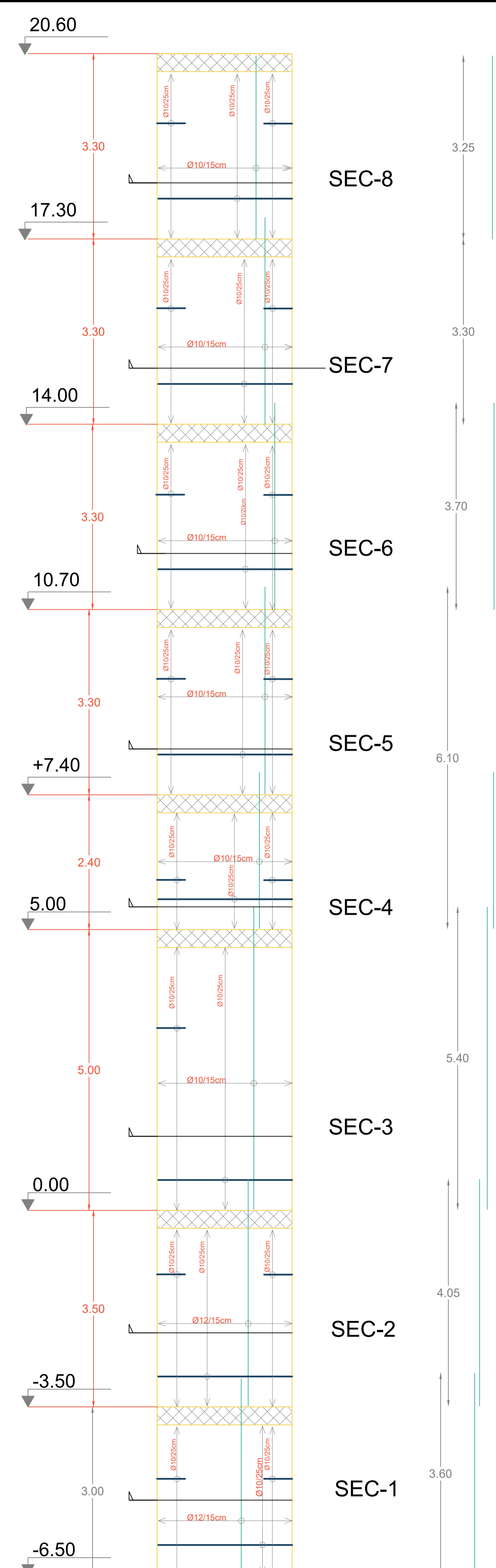
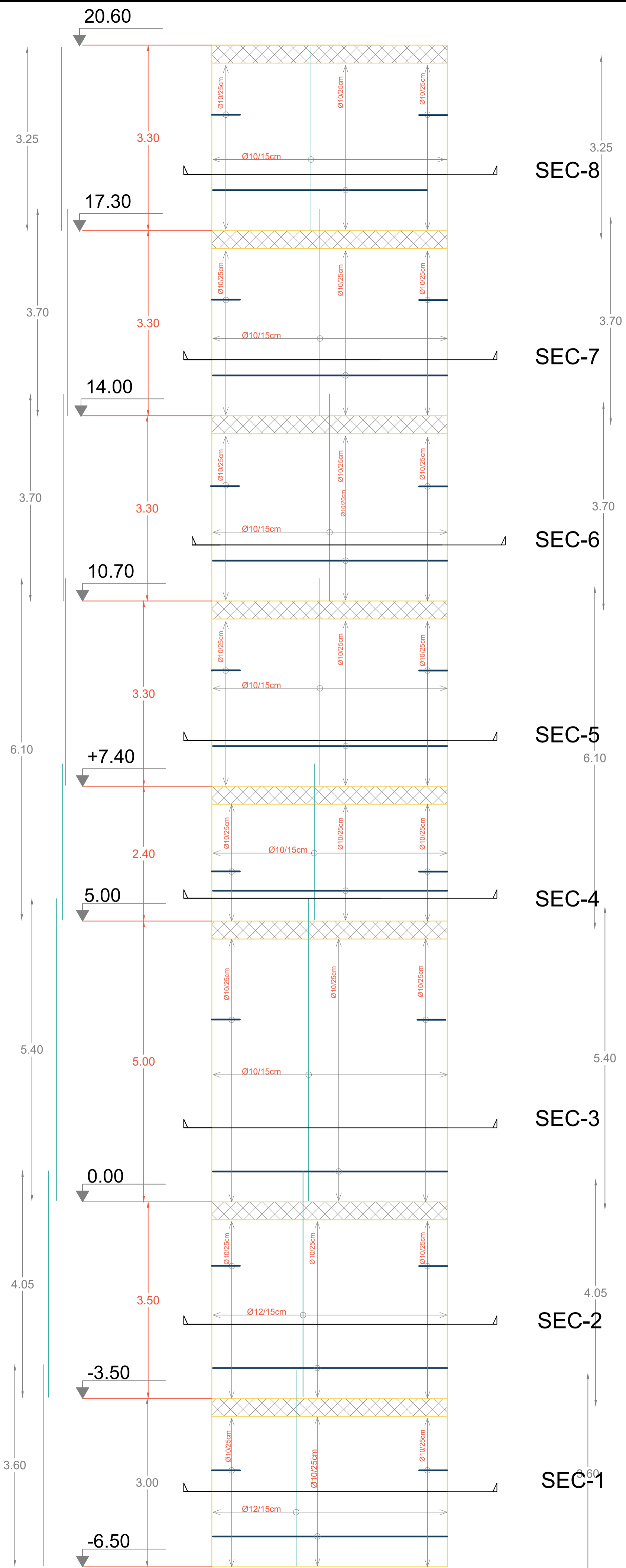
DONE BY
 Ahmad Tamimi
 Ismail Abu Dawod
 Osama Qawasma

SCALE	1:50
NO OF DRAW	S 306
DATE	20/01/2024

Wall Detailing Wall 7

Scale: 1:50

S 307



Palestine Polytechnic University
 Engineering College
 Civil Engineering Department
 Building Engineering
 Al Ahd - Structural Design
 Graduation Project

TITLE
 Wall Detailing
 WALL 7

SUPERVISOR
 Eng. Inas Shweki

DONE BY
 Ahmad Tamimi
 Ismail Abu Dawod
 Osama Qawasma

SCALE	1:50
NO OF DRAW	S 307
DATE	20/01/2024

S 308

Wall Detailing Wall 7

Scale: 1:50



Palestine Polytechnic University

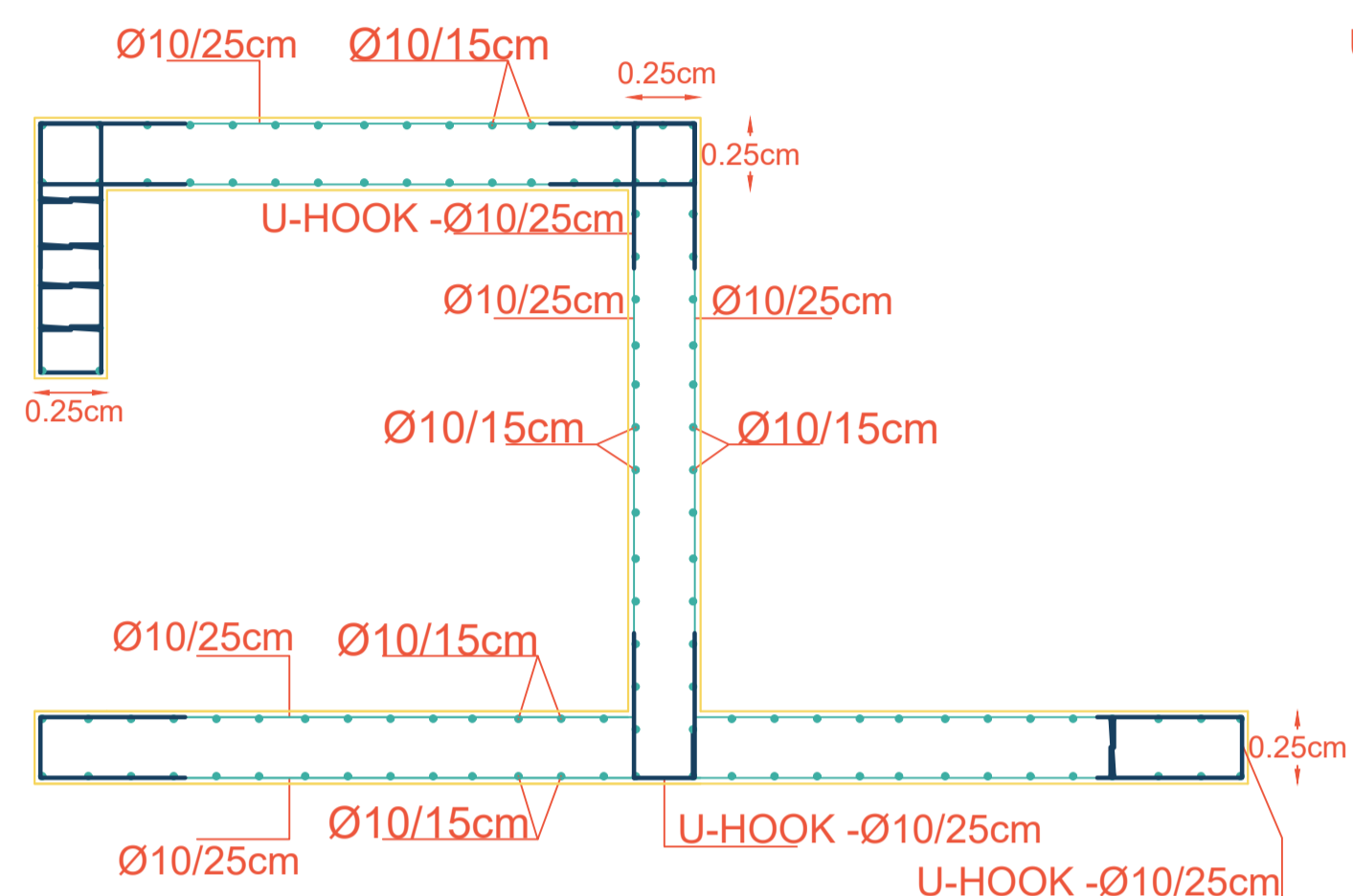
Engineering College

Civil Engineering Department

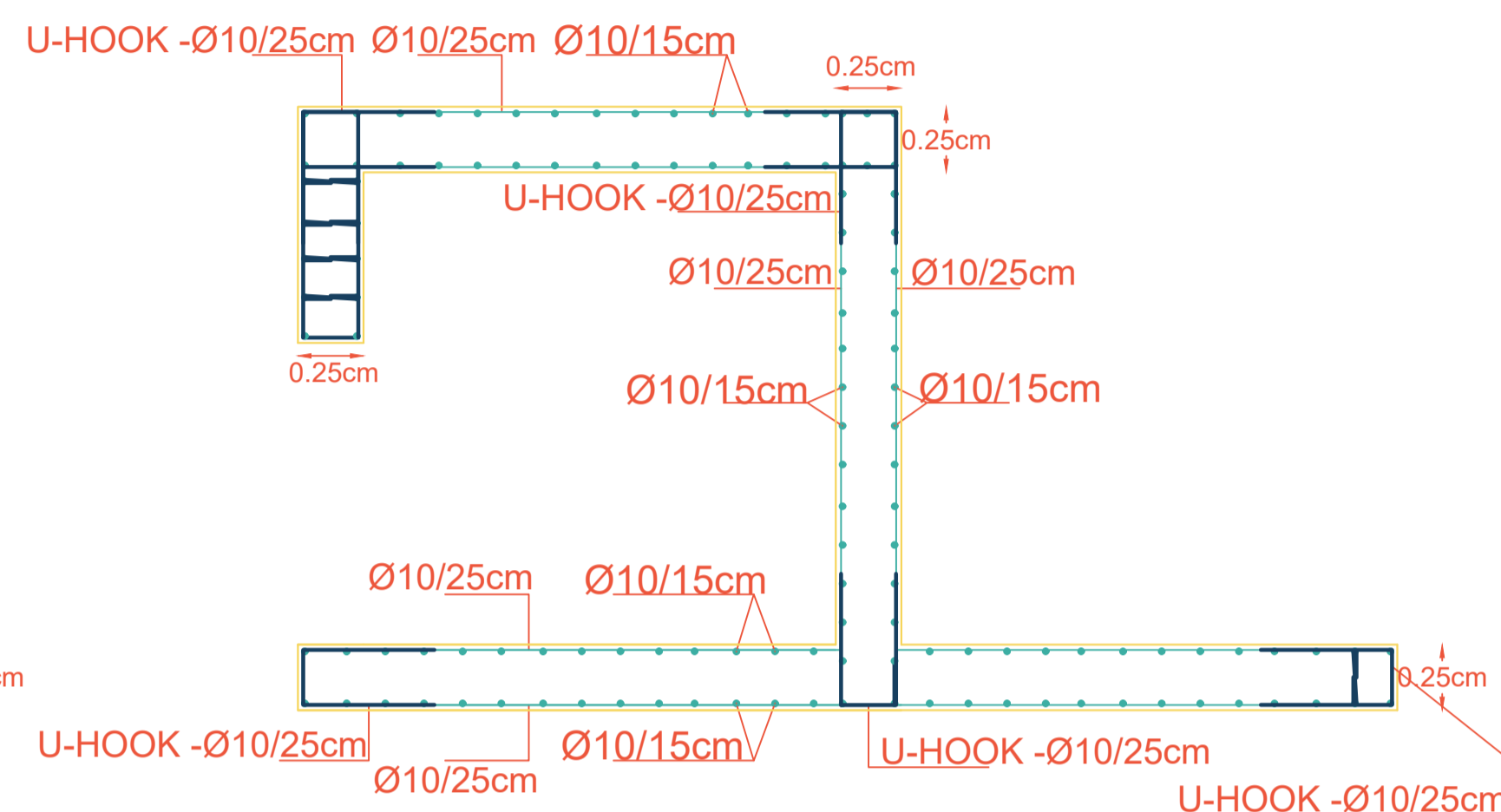
Building Engineering

Al Ahd - Structural Design

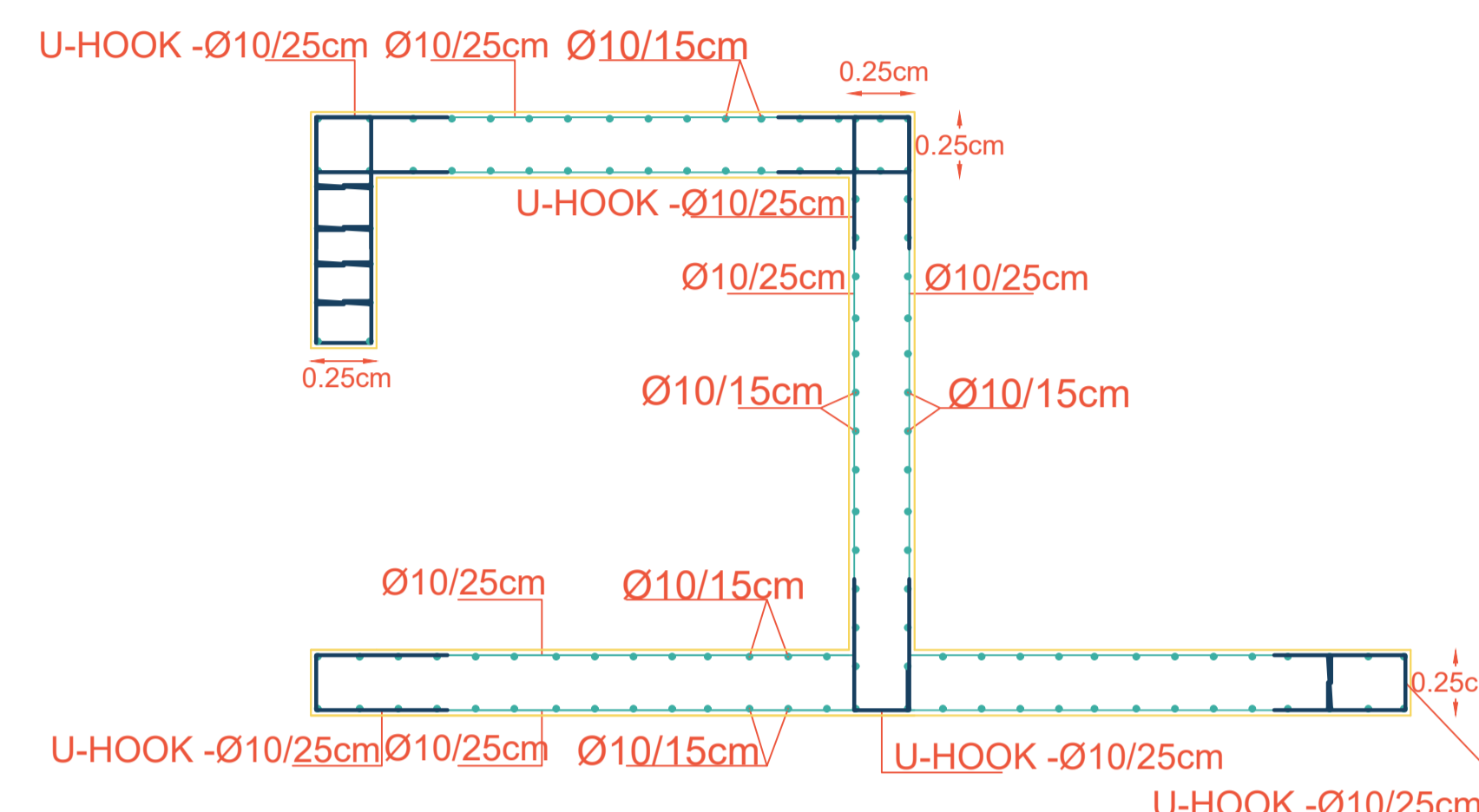
Graduation Project



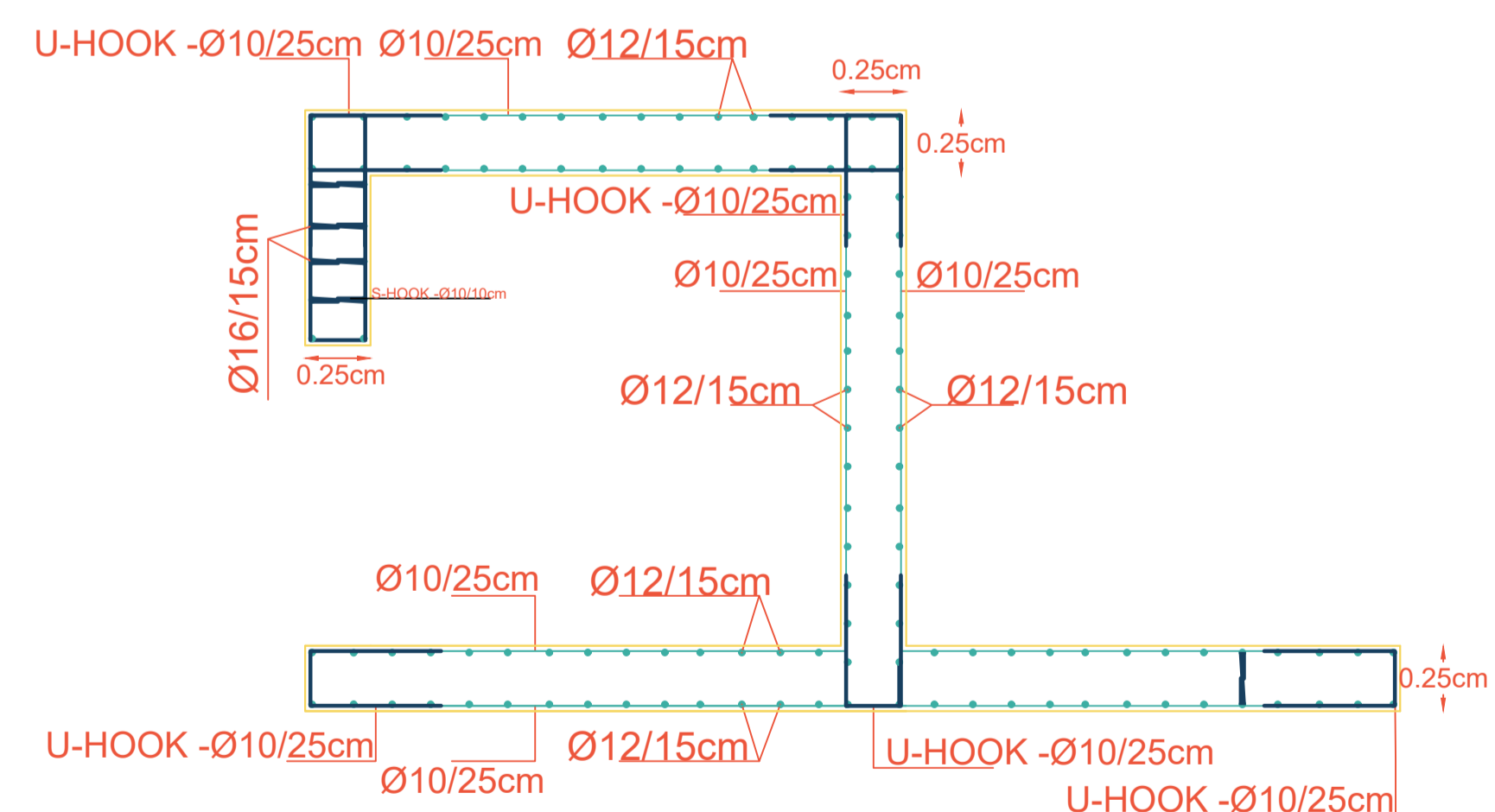
WS-4 Section-servis
(Scale = 1:50)



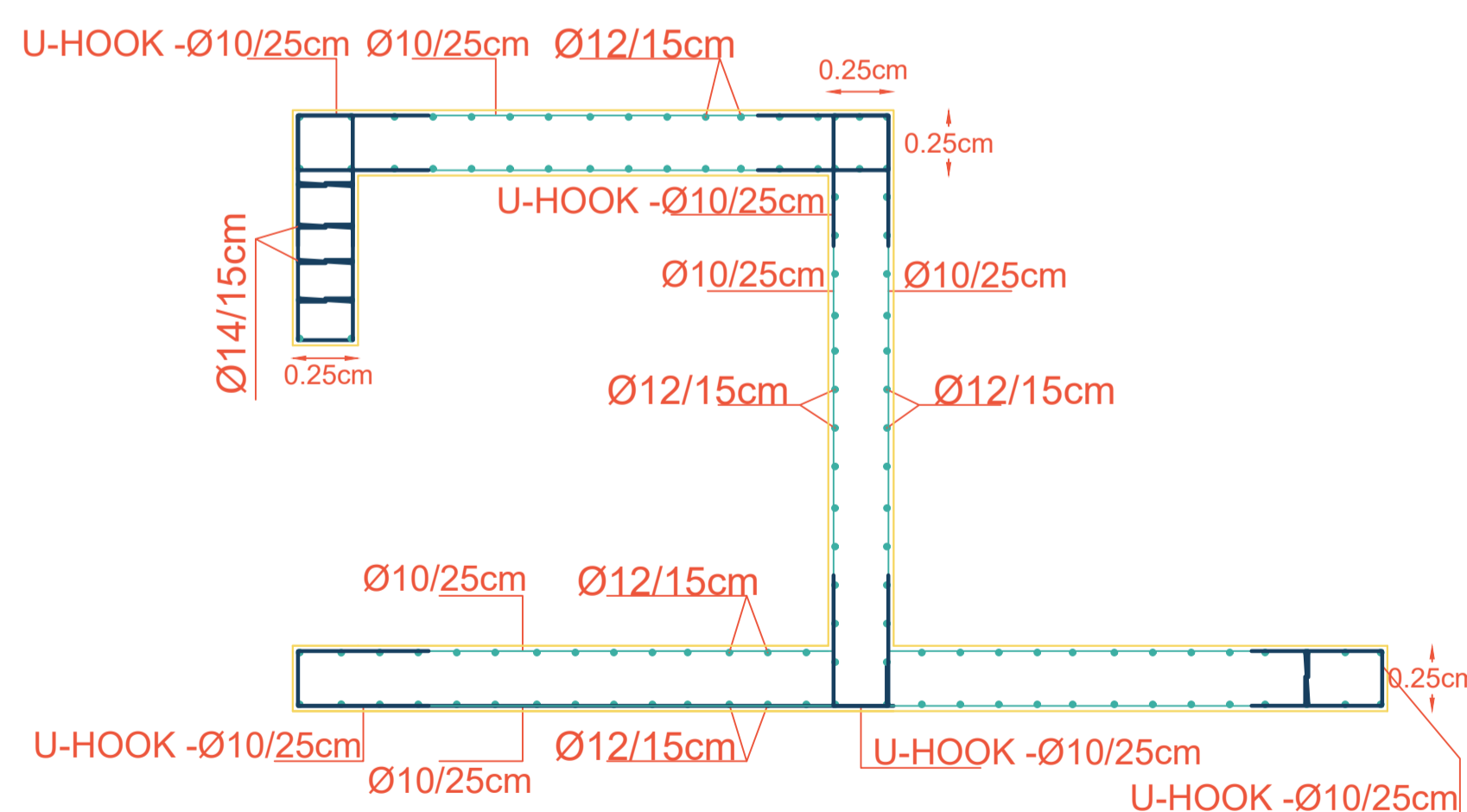
WS-5:Section-story1
(Scale = 1:50)



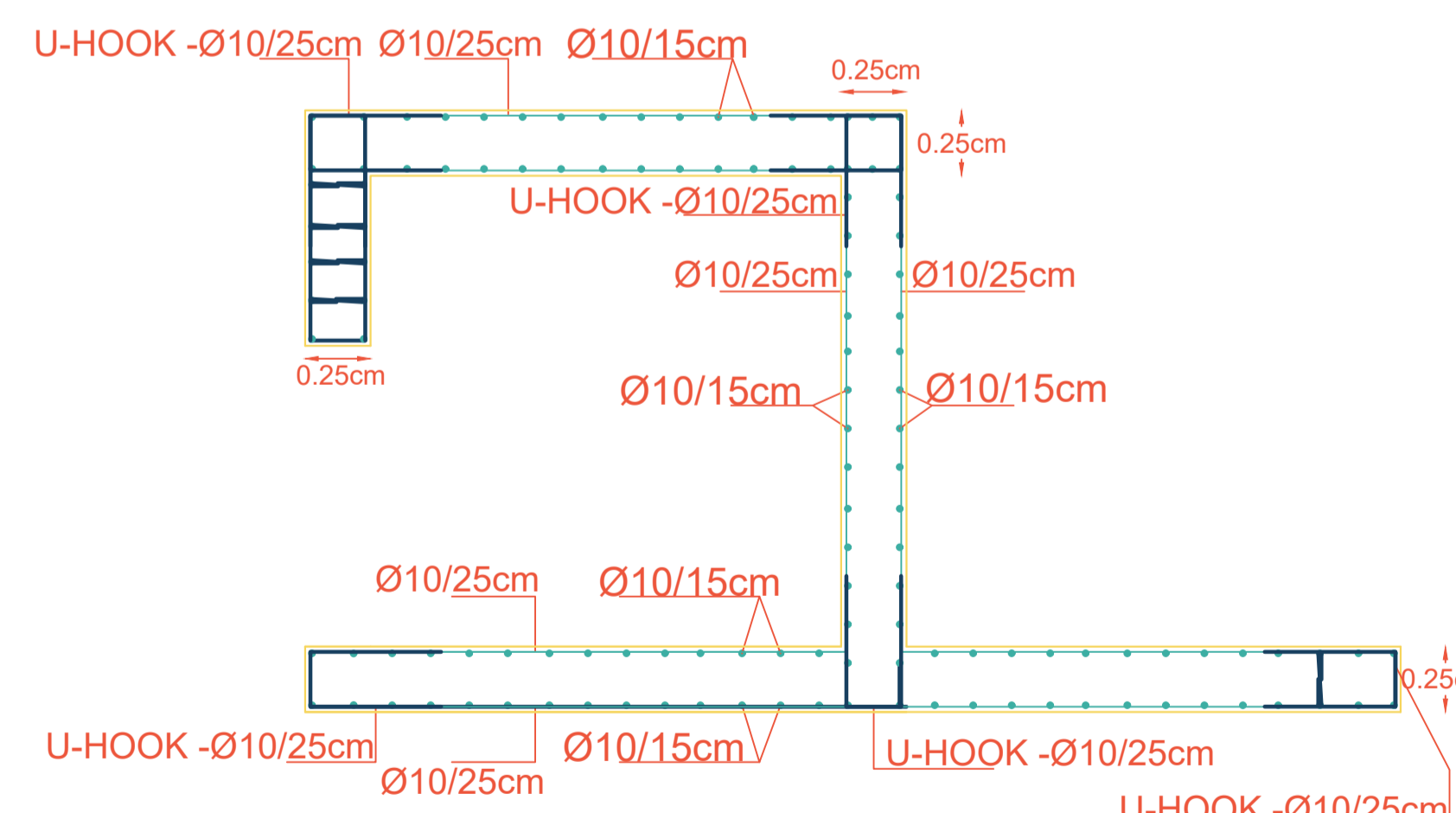
WS-6Section-story2
(Scale = 1:50)



WS-1:Section-parking
(Scale = 1:50)



WS-2:Section-basment
(Scale = 1:50)



WS-3:Section-ground
(Scale = 1:50)

TITLE

Wall Detailing
WALL 7

SUPERVISOR

Eng. Inas Shweki

DONE BY

Ahmad Tamimi
Ismail Abu Dawod
Osama Qawasma

SCALE 1:50

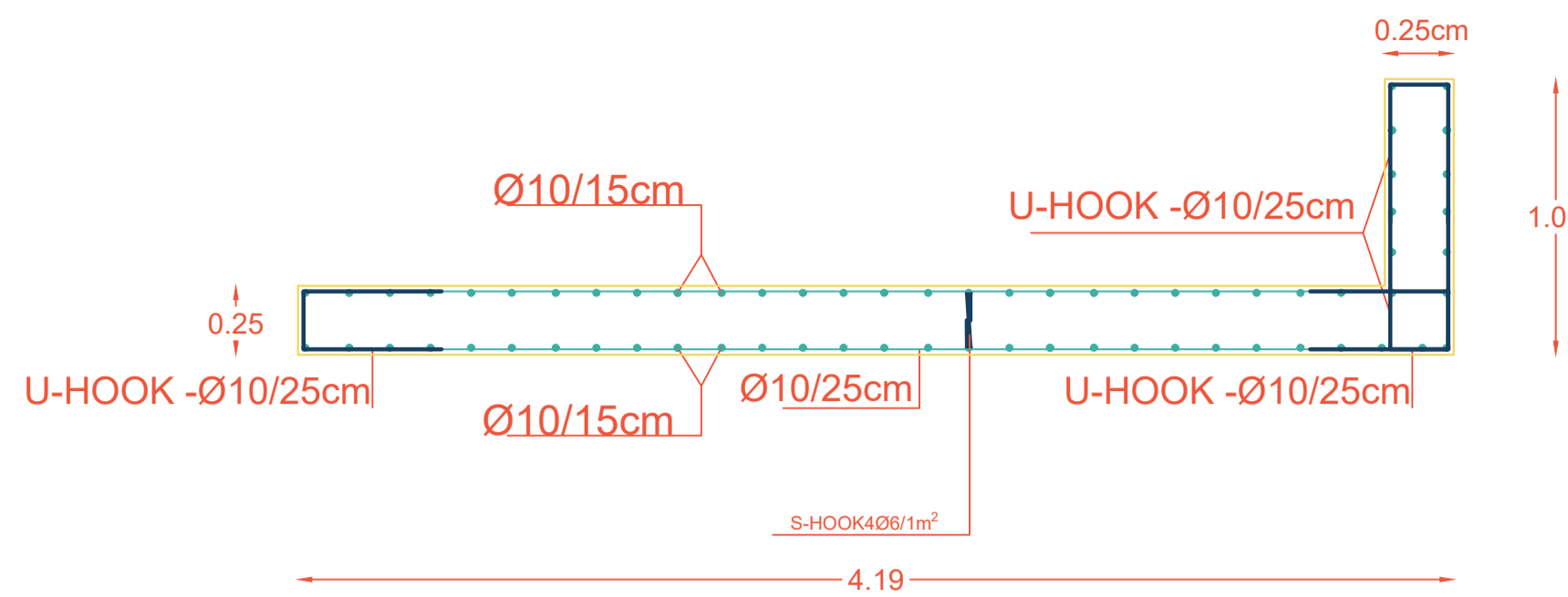
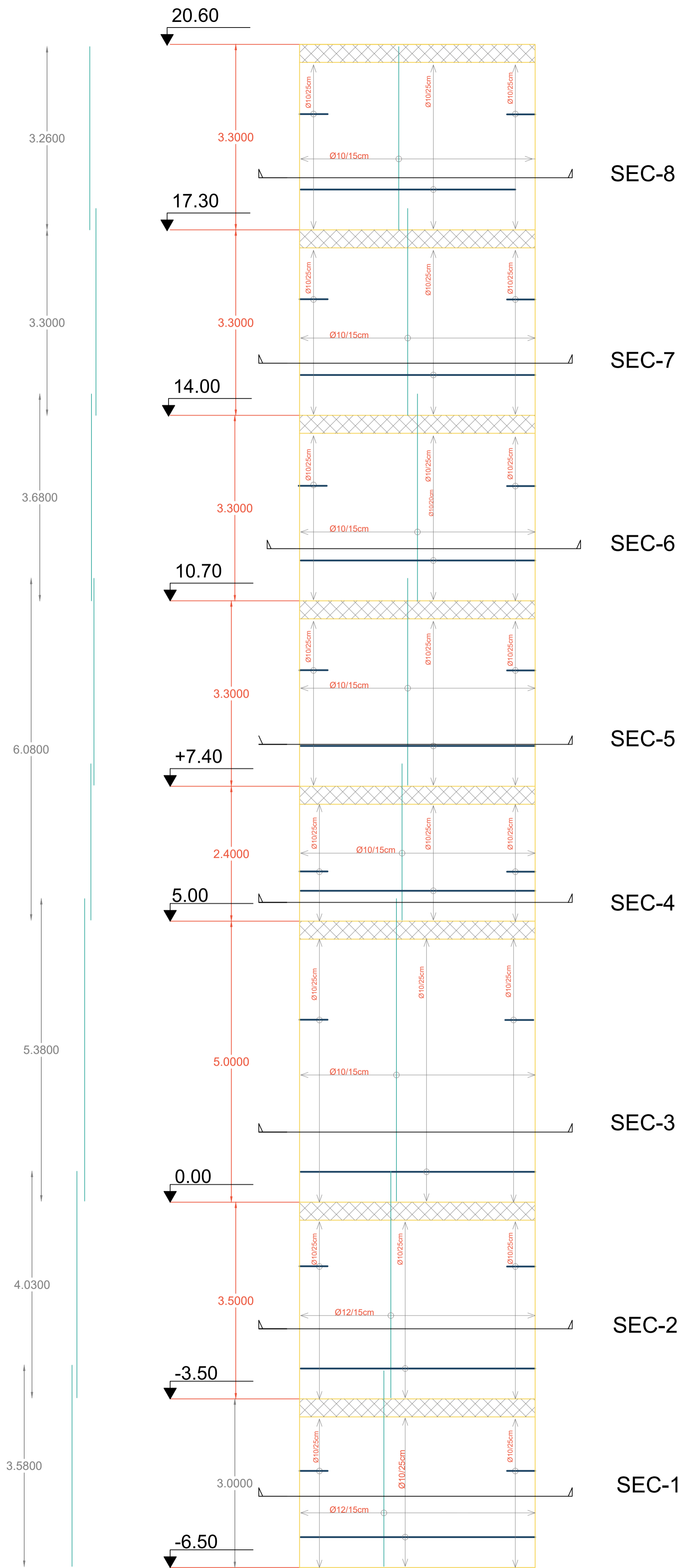
NO OF DRAW S 308

DATE 20/01/2024

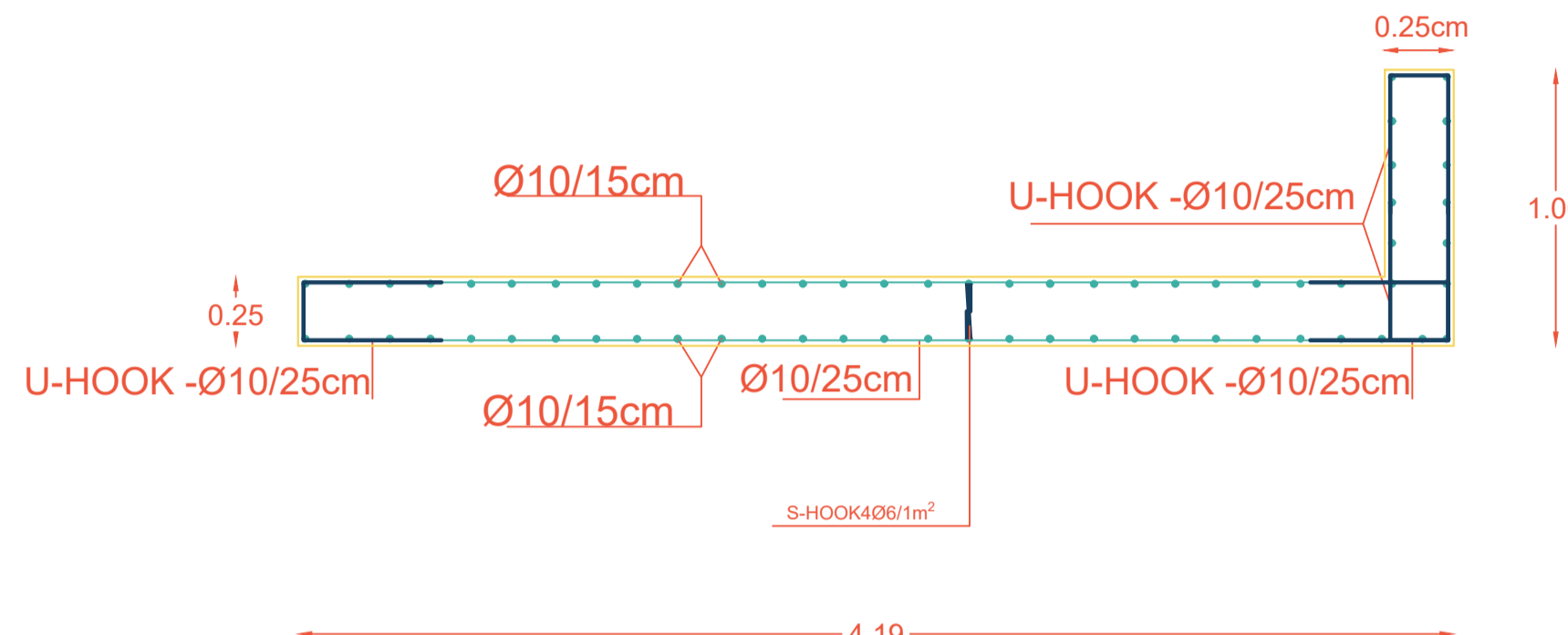
Wall Detailing Wall 8

Scale: 1:50

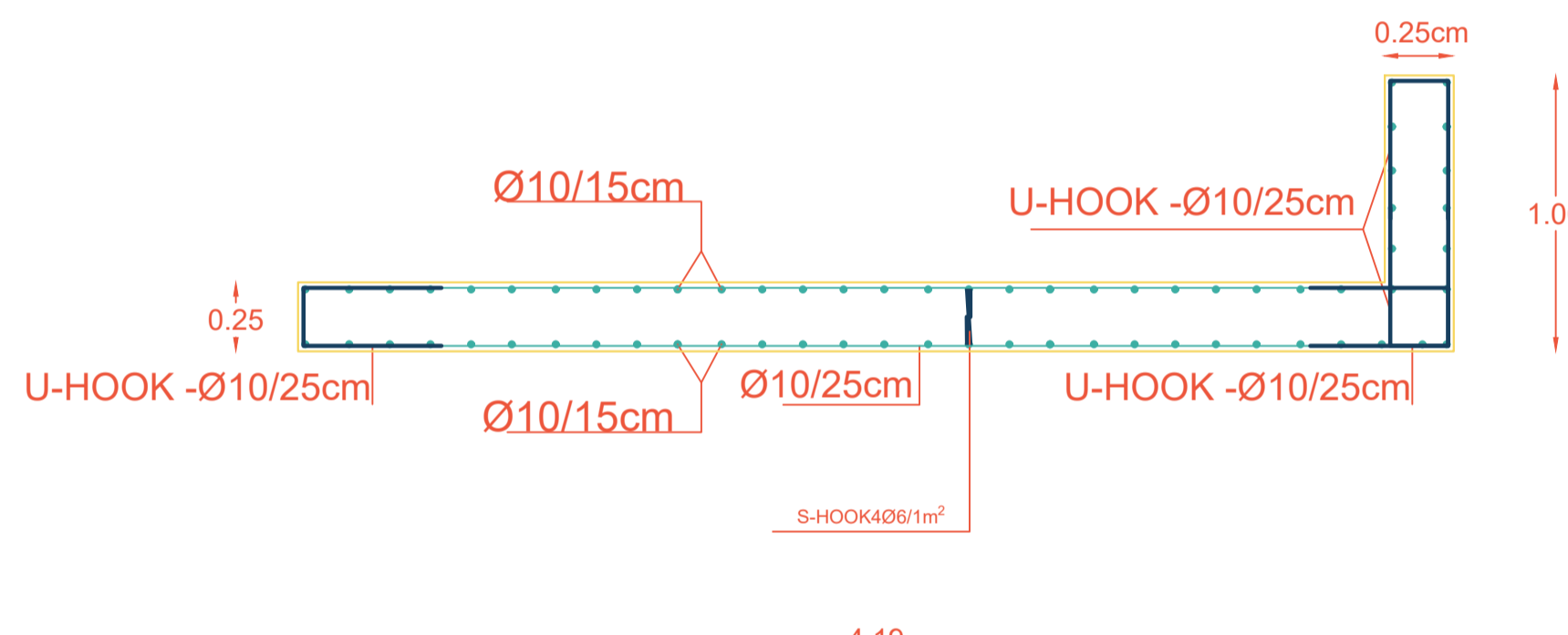
S 309



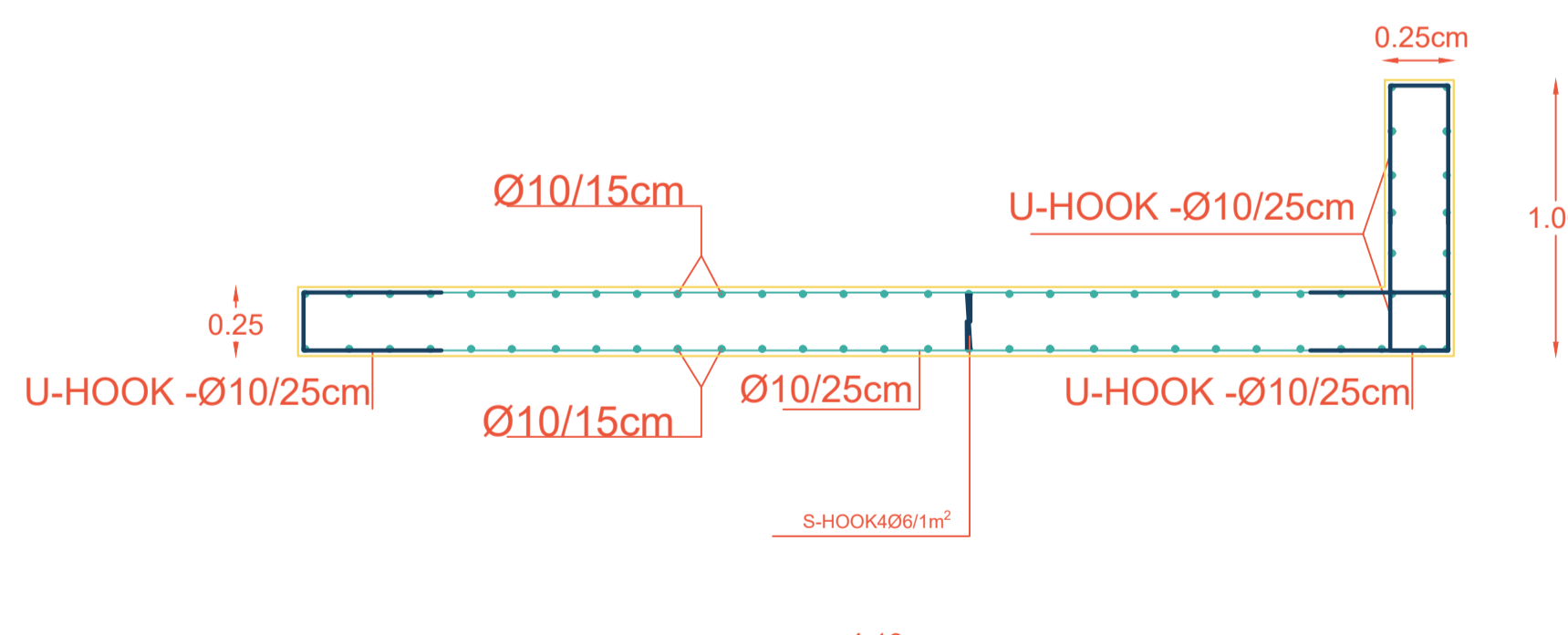
WS-5:Section-story1
(Scale = 1:50)



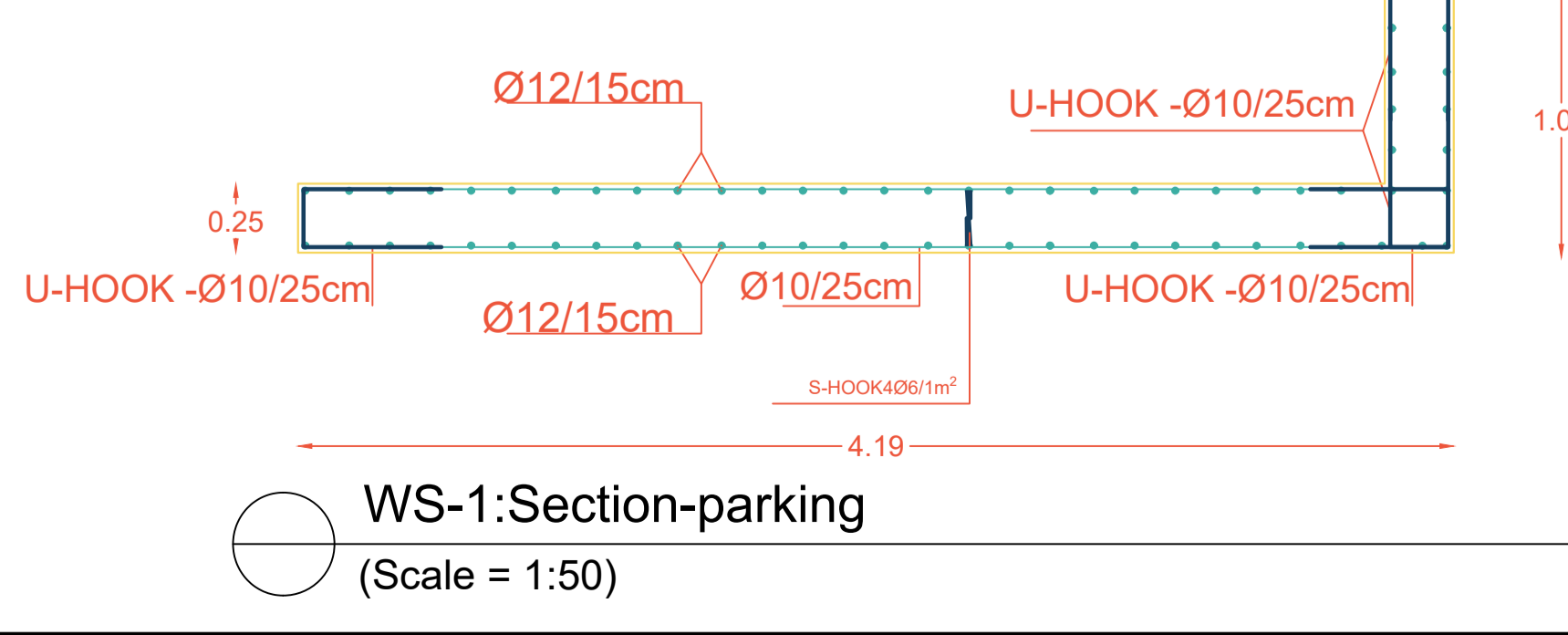
WS-4 Section-servis
(Scale = 1:50)



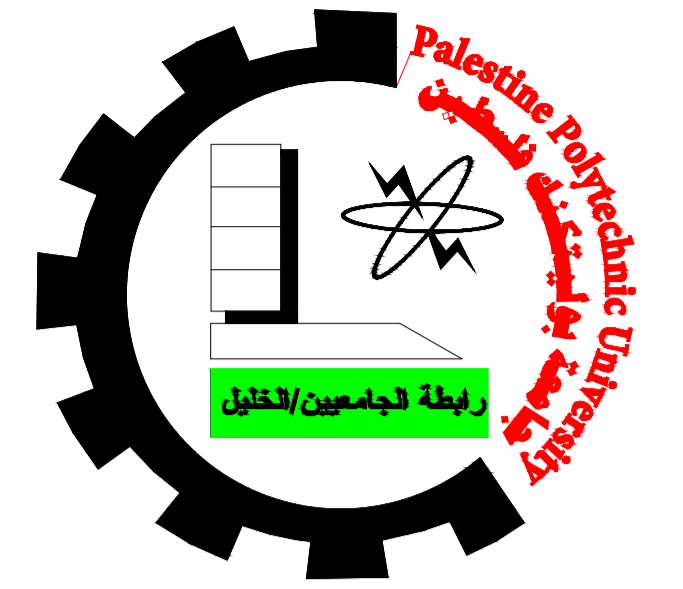
WS-3:Section-ground
(Scale = 1:50)



WS-2:Section-basment
(Scale = 1:50)



WS-1:Section-parking
(Scale = 1:50)



Palestine Polytechnic University
Engineering College
Civil Engineering Department
Building Engineering
Al Ahd - Structural Design
Graduation Project

TITLE

Wall Detailing
WALL8

SUPERVISOR

Eng. Inas Shweki

DONE BY

Ahmad Tamimi
Ismail Abu Dawod
Osama Qawasma

SCALE 1:50

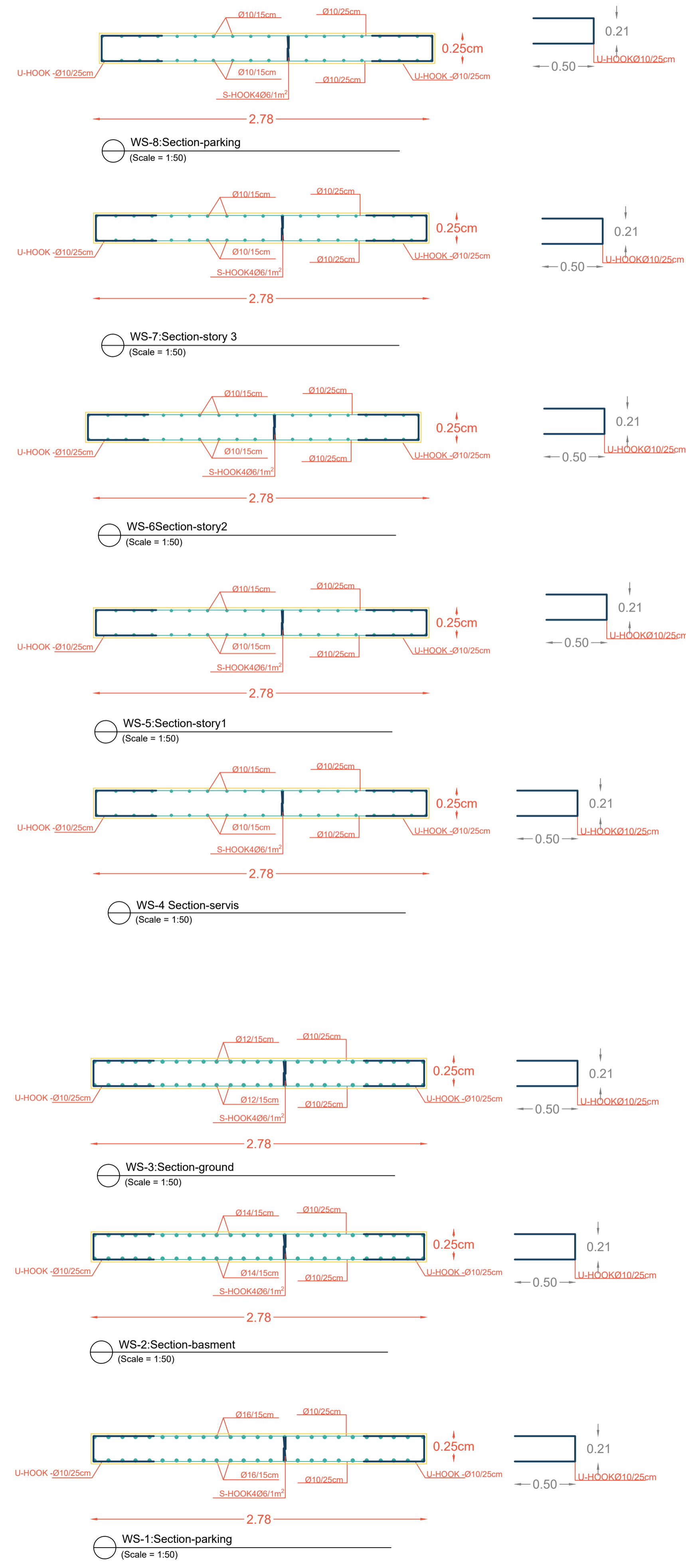
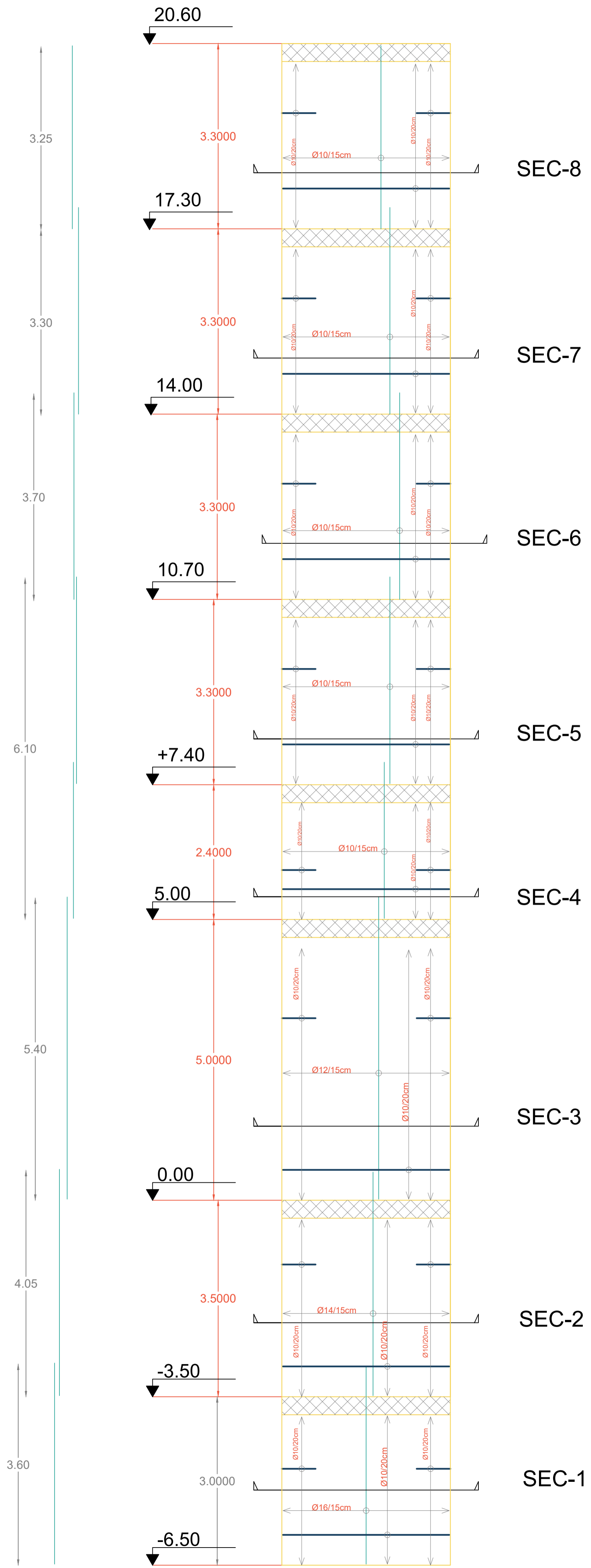
NO OF DRAW S 309

DATE 20/01/2024

Wall Detailing Wall 9

Scale: 1:50

S 310



Palestine Polytechnic University
 Engineering College
 Civil Engineering Department
 Building Engineering
 Al Ahd - Structural Design
 Graduation Project

TITLE
 Wall Detailing
 WALL9

SUPERVISOR
 Eng. Inas Shweki

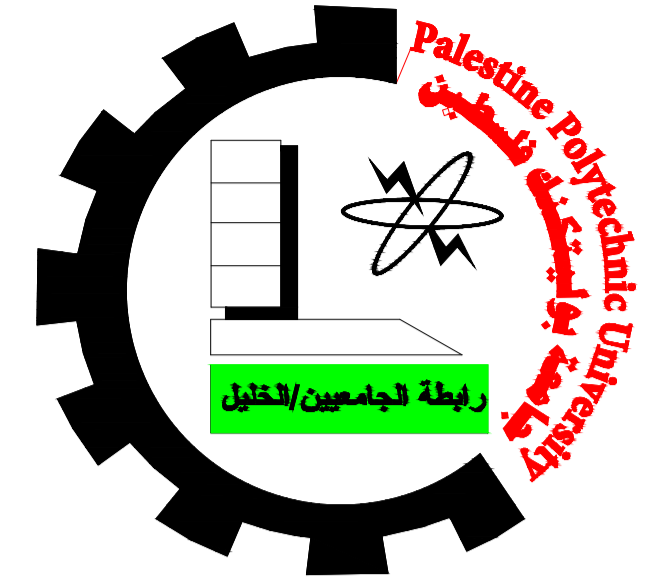
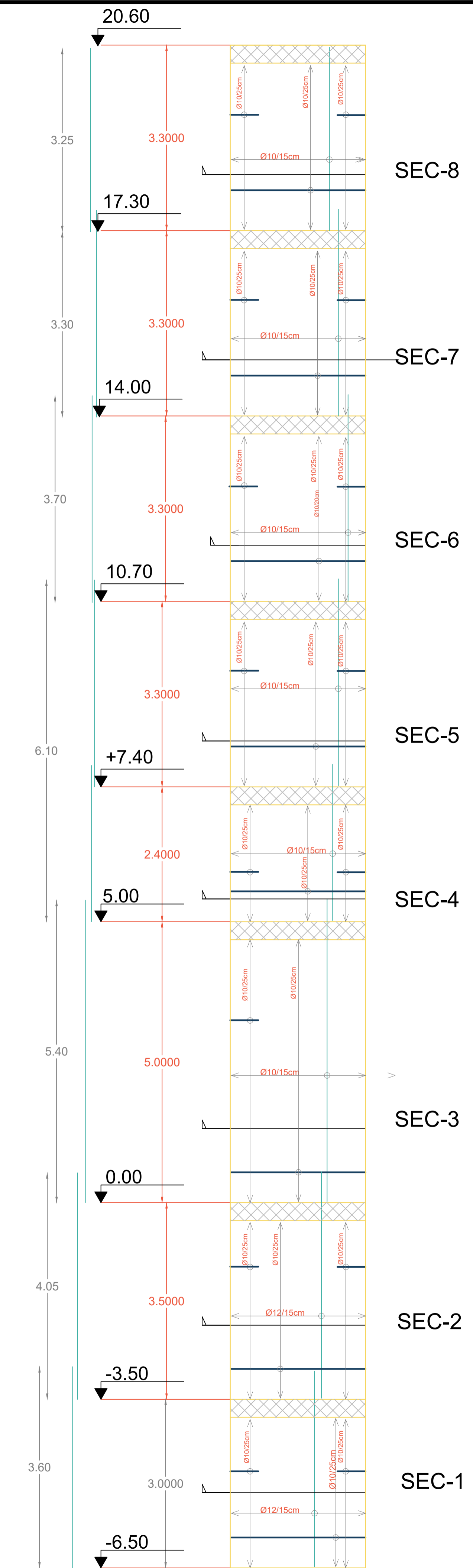
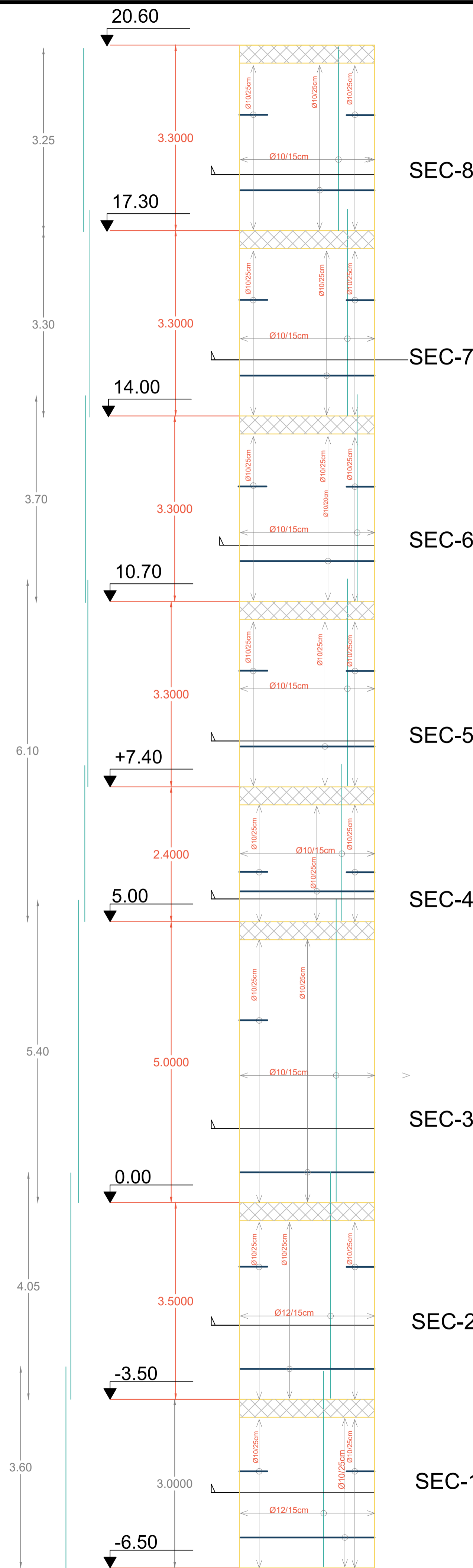
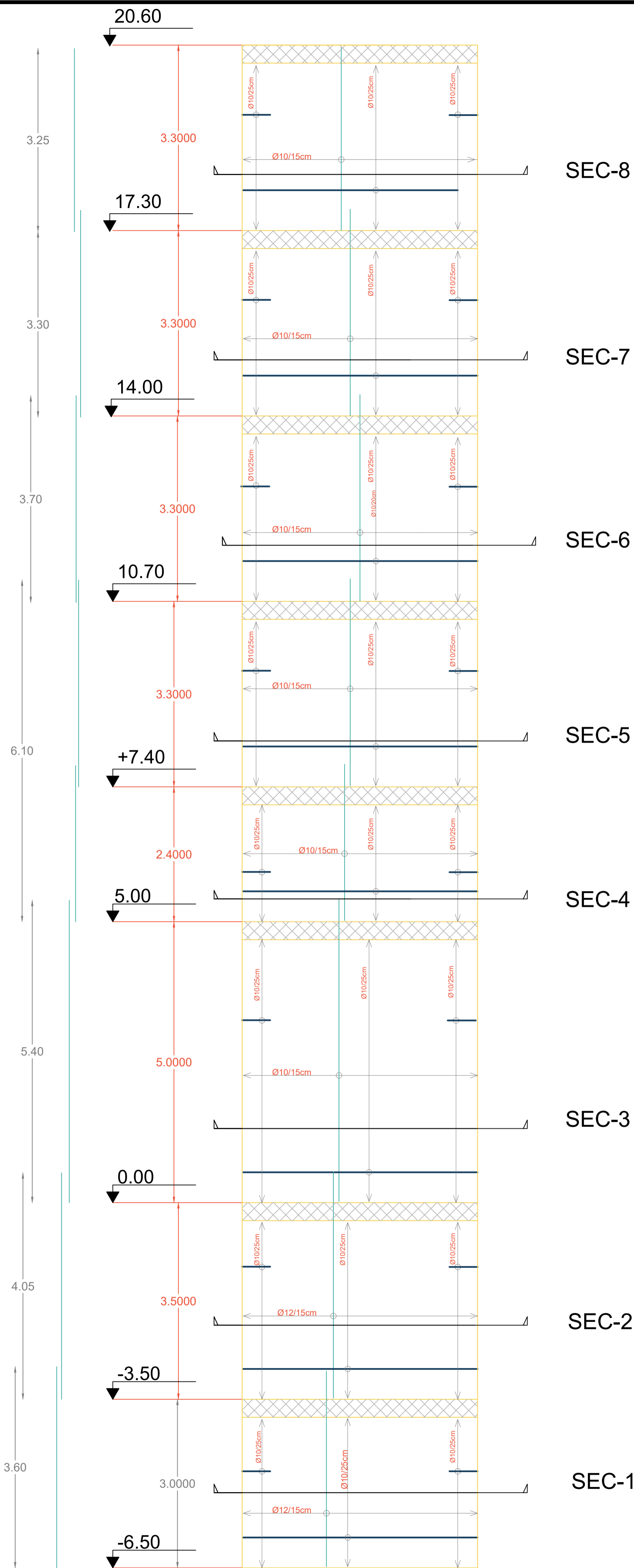
DONE BY
 Ahmad Tamimi
 Ismail Abu Dawod
 Osama Qawasma

SCALE	1:50
NO OF DRAW	S 310
DATE	20/01/2024

Wall Detailing Wall 10

Scale: 1:50

S 311



Palestine Polytechnic University
 Engineering College
 Civil Engineering Department
 Building Engineering
 Al Ahd - Structural Design
 Graduation Project

TITLE
 Wall Detailing
 WALL 10

SUPERVISOR
 Eng. Inas Shweki

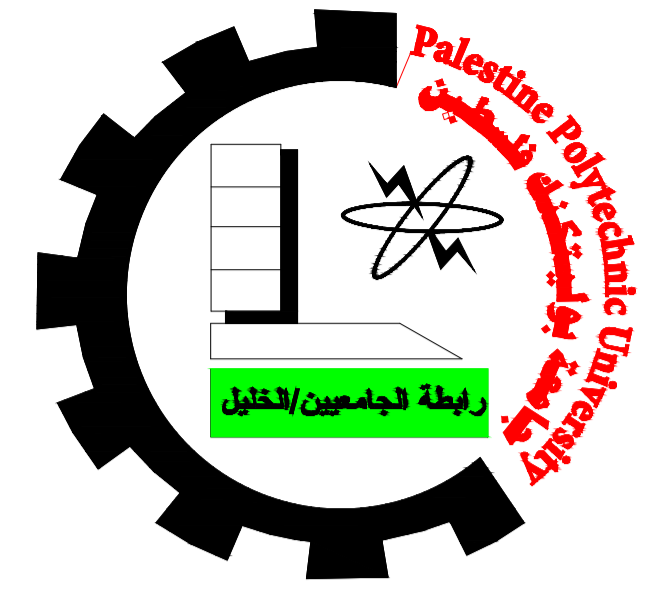
DONE BY
 Ahmad Tamimi
 Ismail Abu Dawod
 Osama Qawasma

SCALE	1:50
NO OF DRAW	S 311
DATE	20/01/2024

S 312

Wall Detailing Wall 10

Scale: 1:50



Palestine Polytechnic University

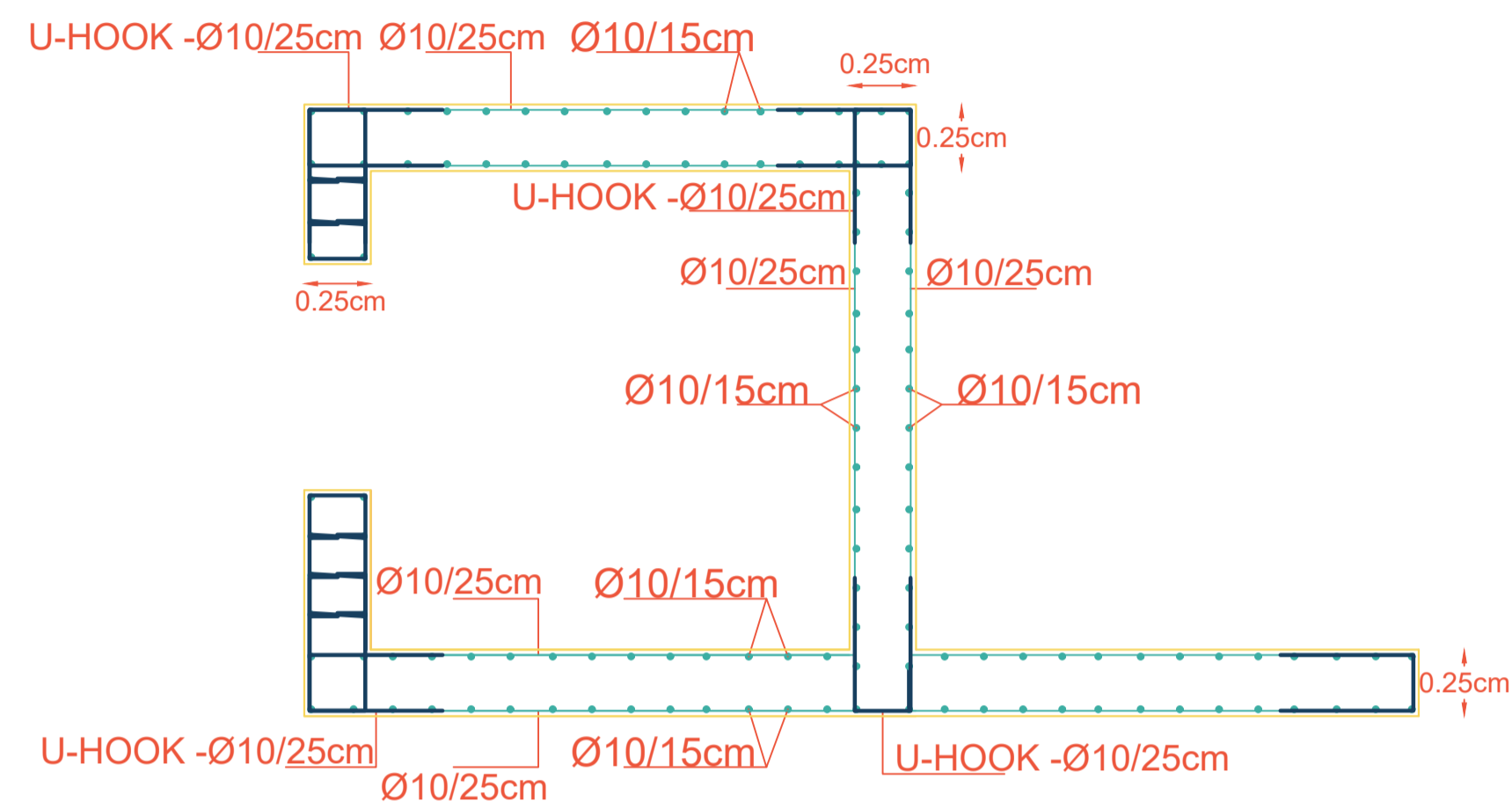
Engineering College

Civil Engineering Department

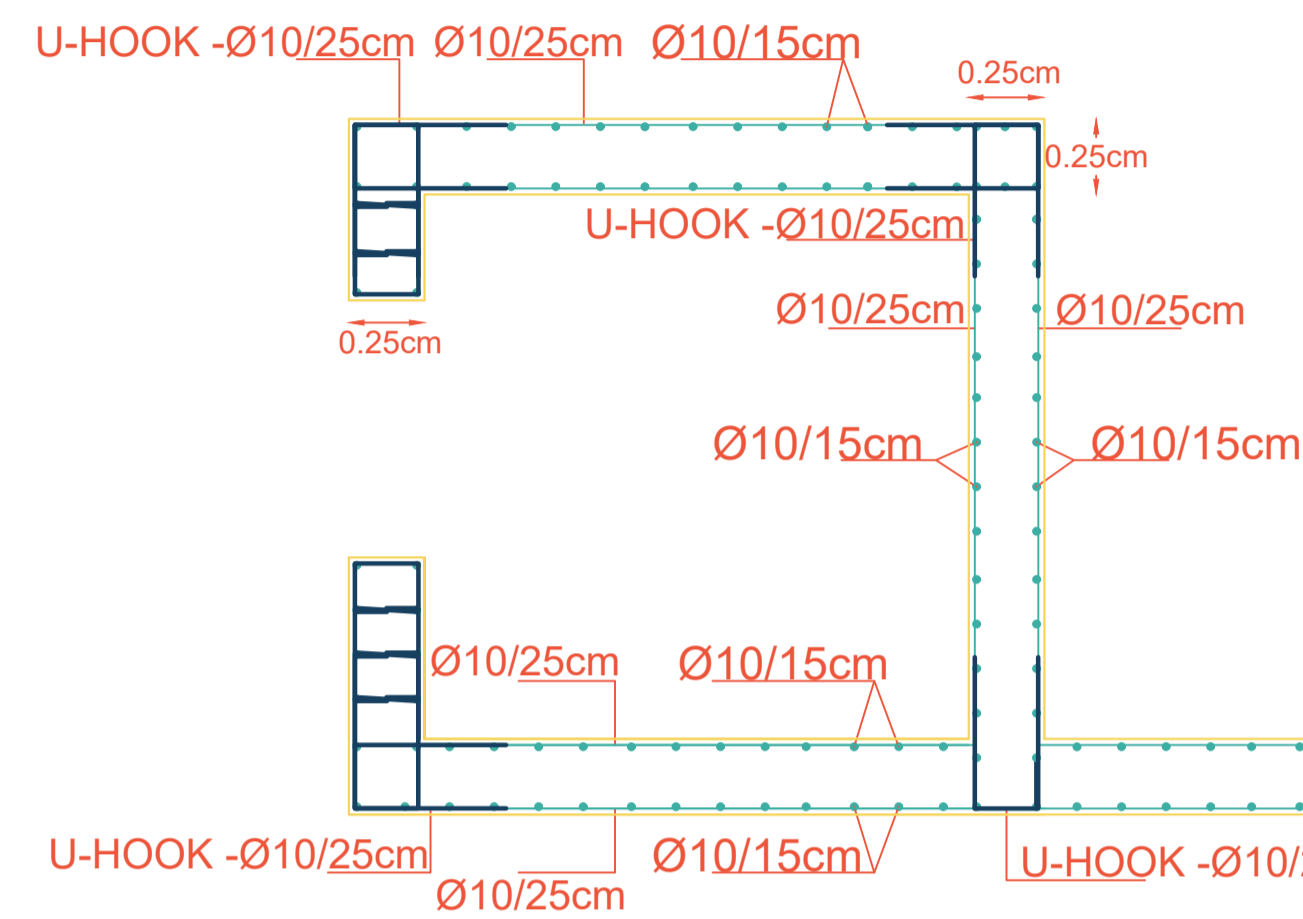
Building Engineering

Al Ahd - Structural Design

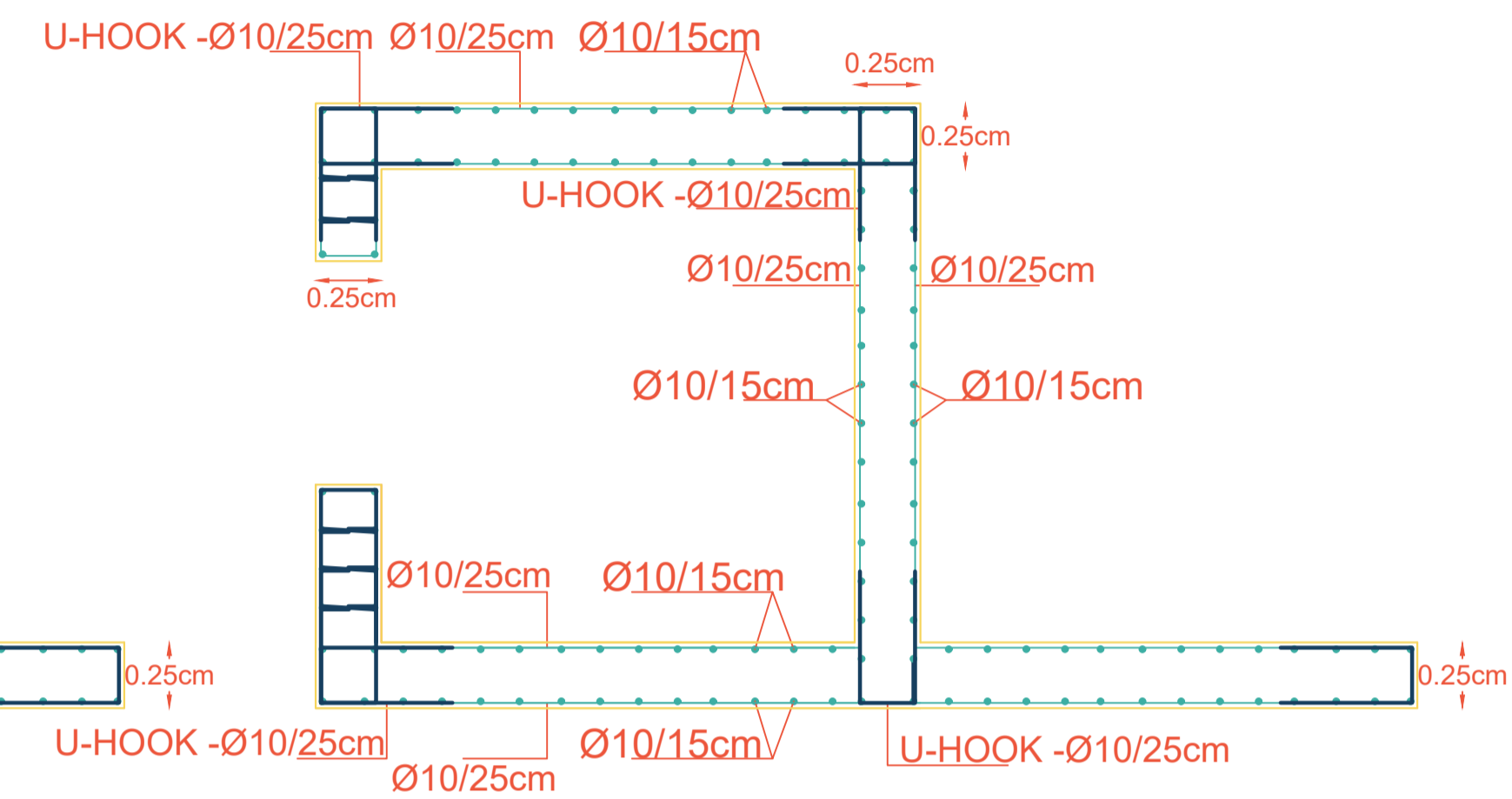
Graduation Project



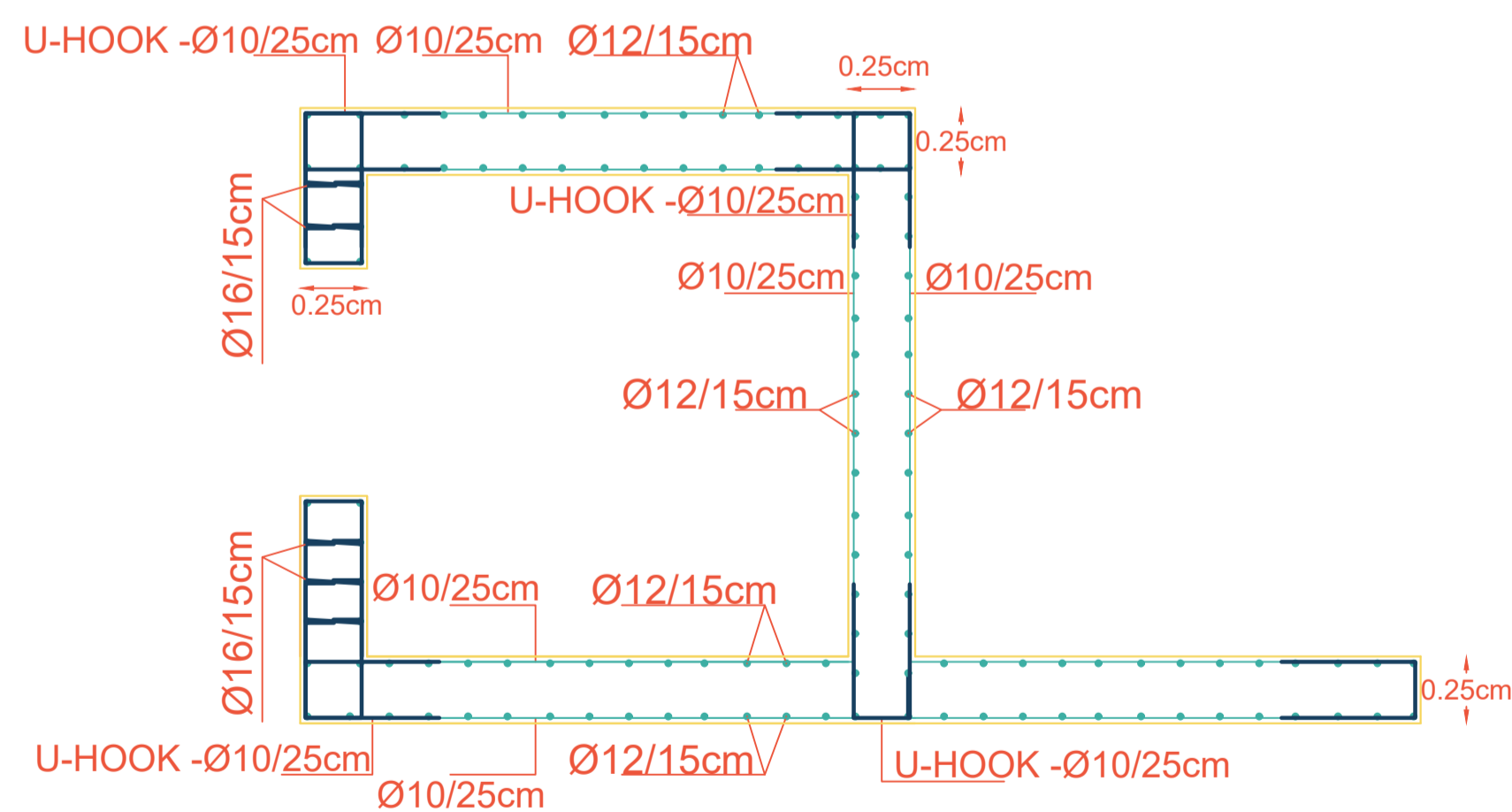
WS-4 Section-servis
(Scale = 1:50)



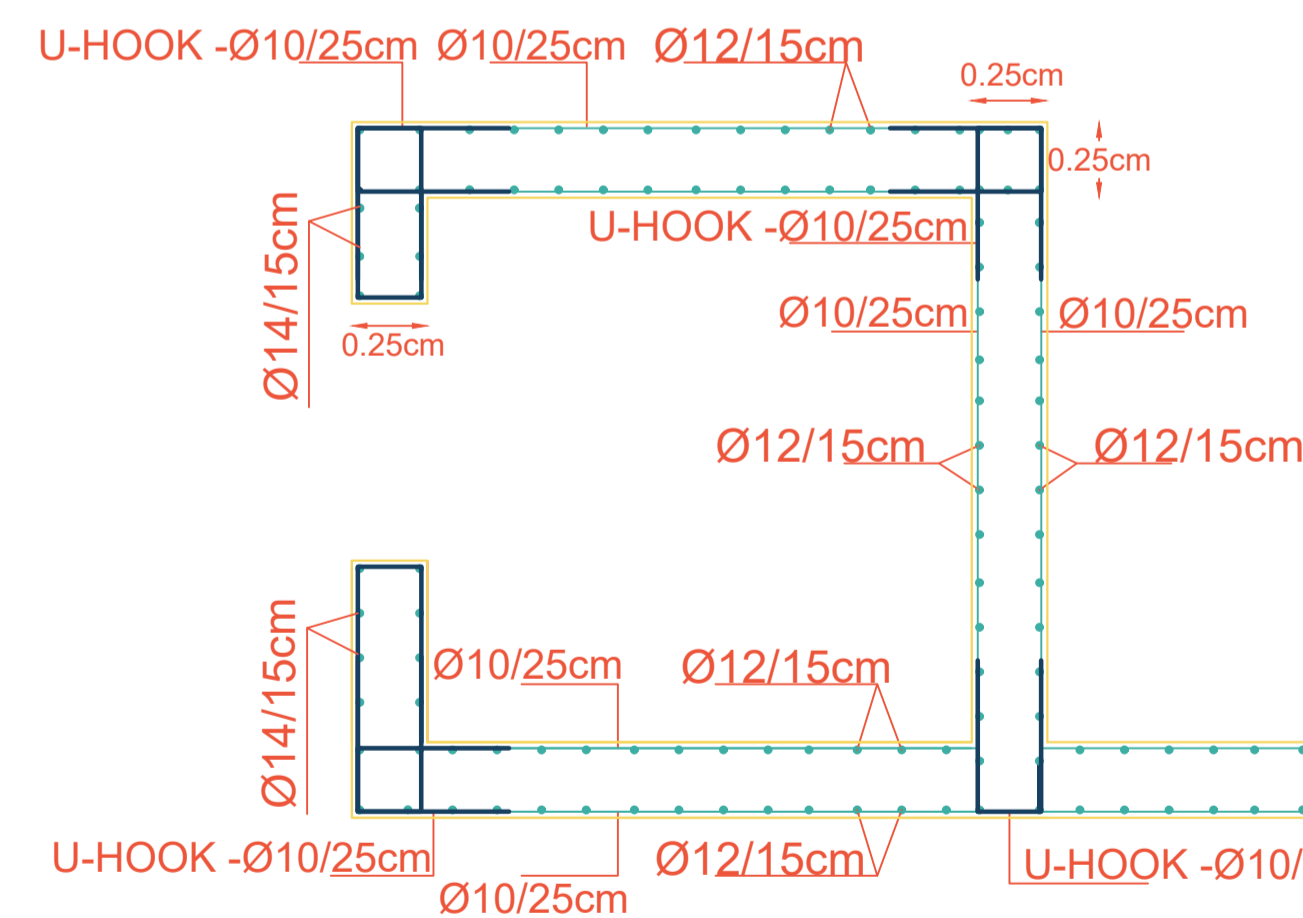
WS-5:Section-story1
(Scale = 1:50)



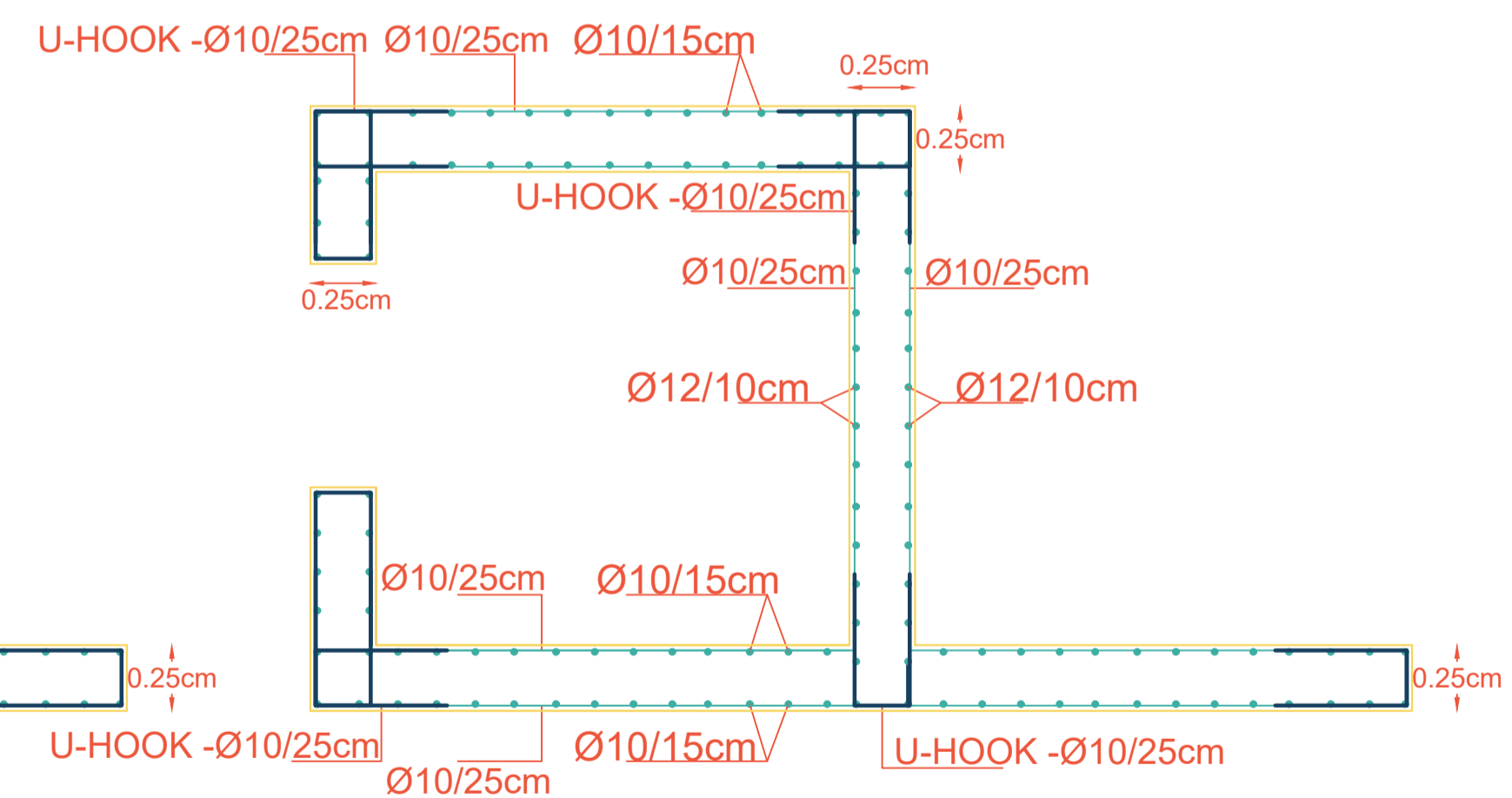
WS-5:Section-story2
(Scale = 1:50)



WS-1:Section-parking
(Scale = 1:50)



WS-2:Section-basment
(Scale = 1:50)



WS-3:Section-ground
(Scale = 1:50)

TITLE

Wall Detailing
WALL 10

SUPERVISOR

Eng. Inas Shweki

DONE BY

Ahmad Tamimi
Ismail Abu Dawod
Osama Qawasma

SCALE 1:50

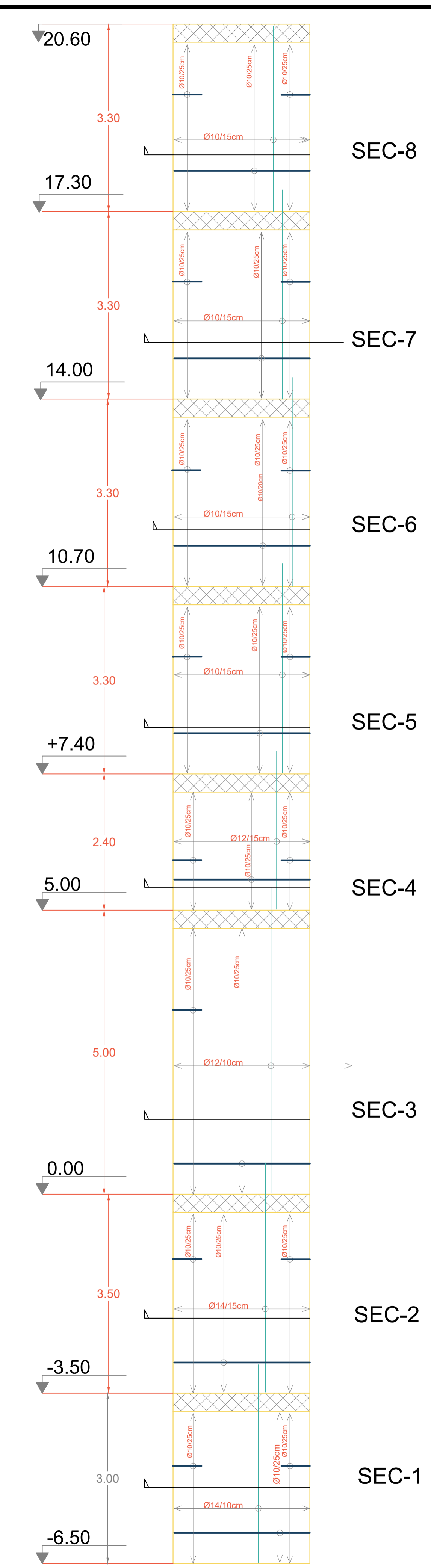
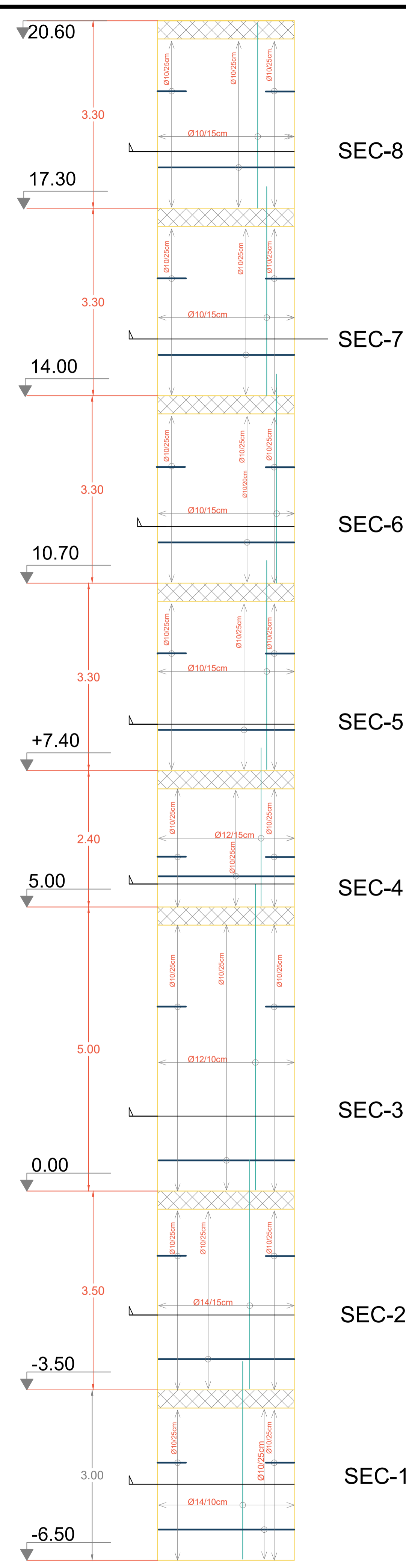
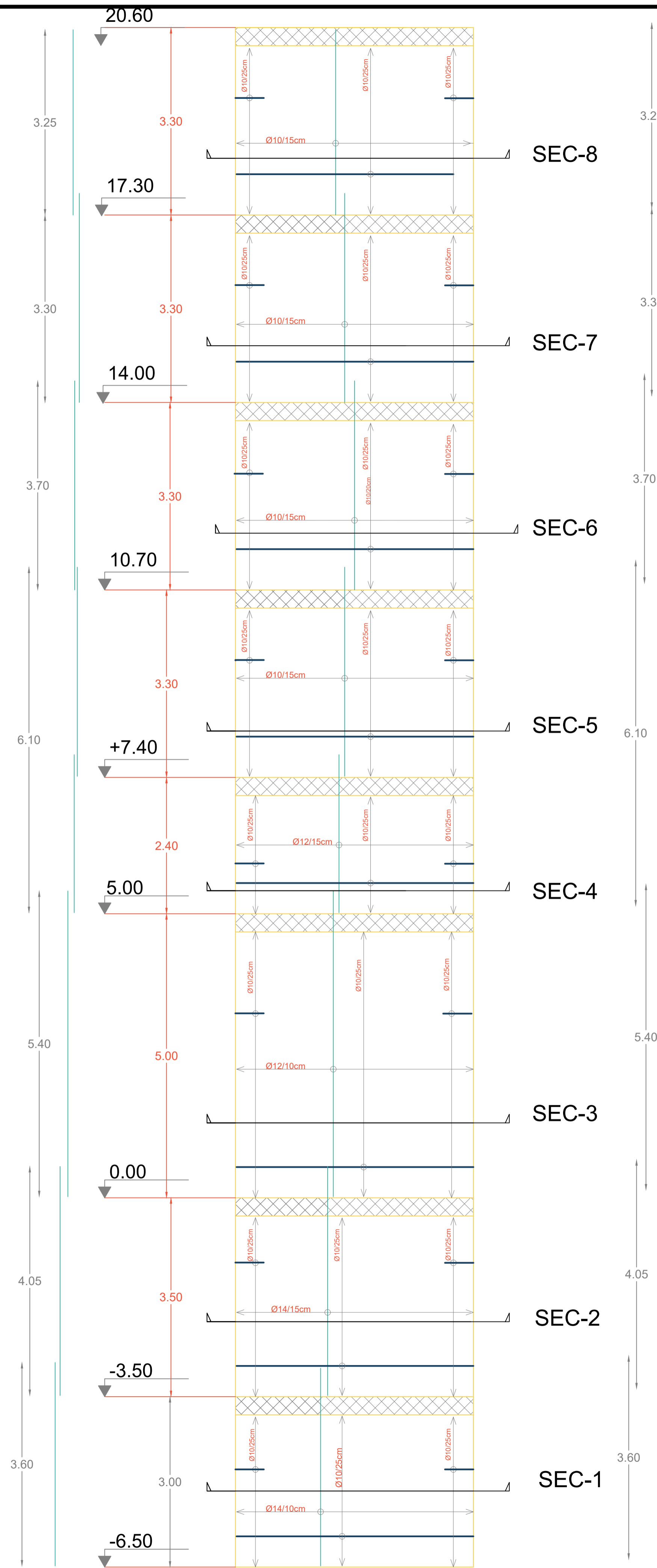
NO OF DRAW S 312

DATE 20/01/2024

Wall Detailing Wall 11

Scale: 1:50

S 313



Palestine Polytechnic University
Engineering College
Civil Engineering Department
Building Engineering
Al Ahd - Structural Design
Graduation Project

TITLE
Wall Detailing WALL11

SUPERVISOR
Eng. Inas Shweki

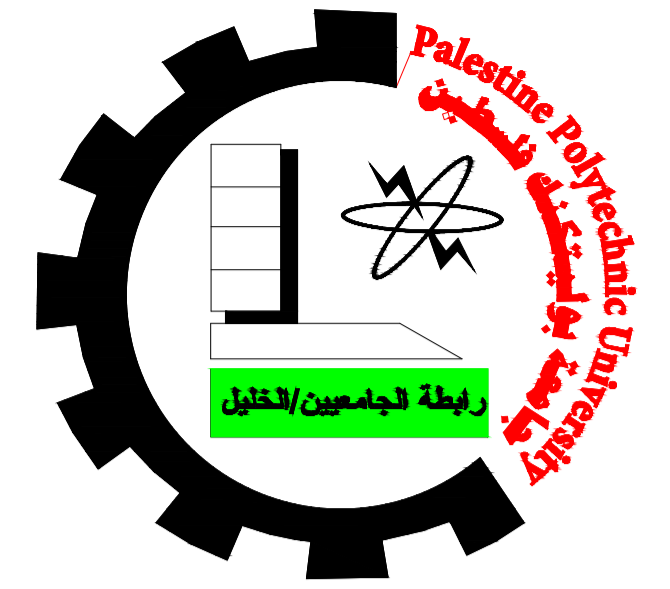
DONE BY
Ahmad Tamimi Ismail Abu Dawod Osama Qawasma

SCALE	1:50
NO OF DRAW	S 313
DATE	20/01/2024

S 314

Wall Detailing Wall 11

Scale: 1:50



Palestine Polytechnic University

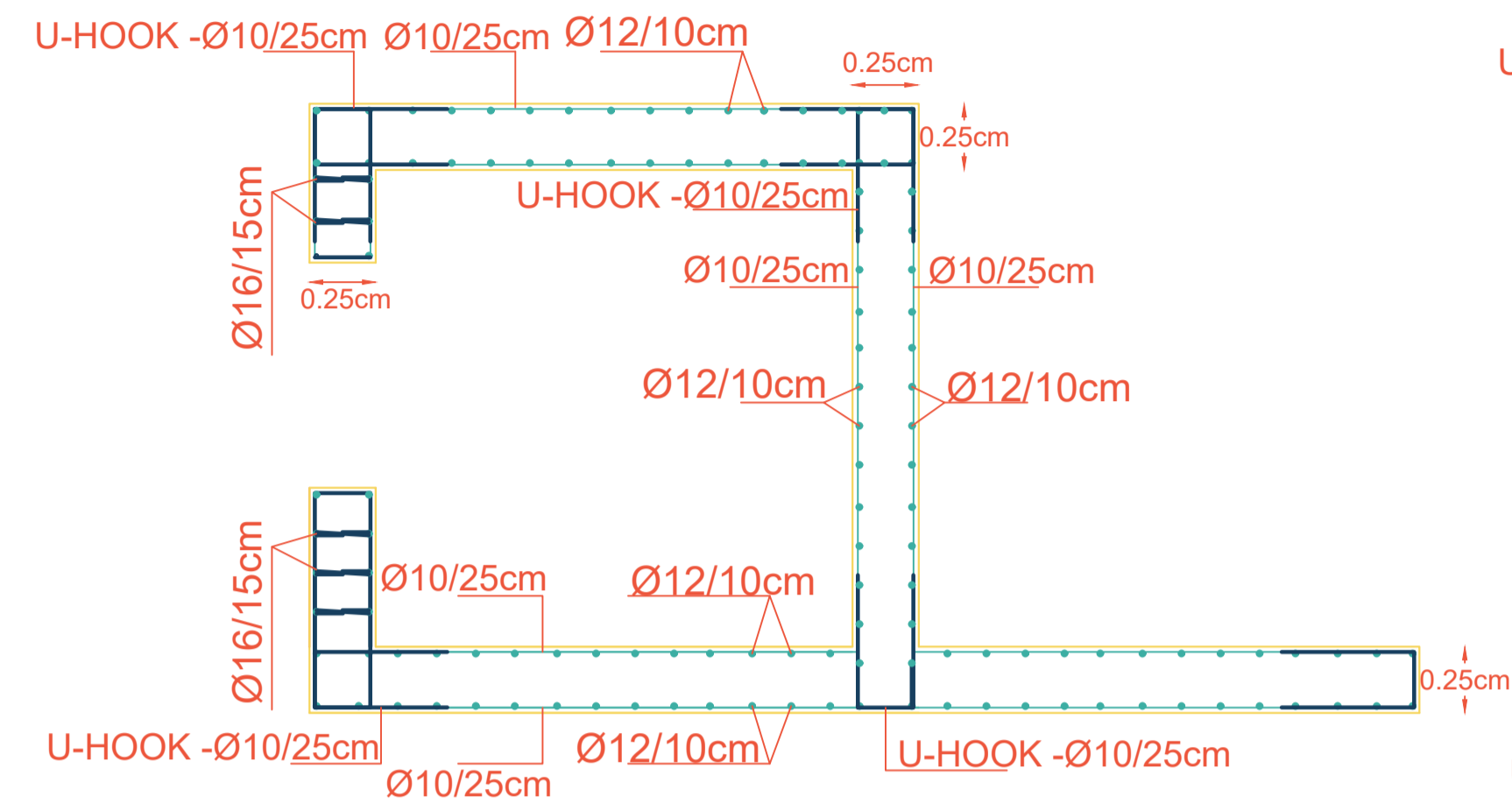
Engineering College

Civil Engineering Department

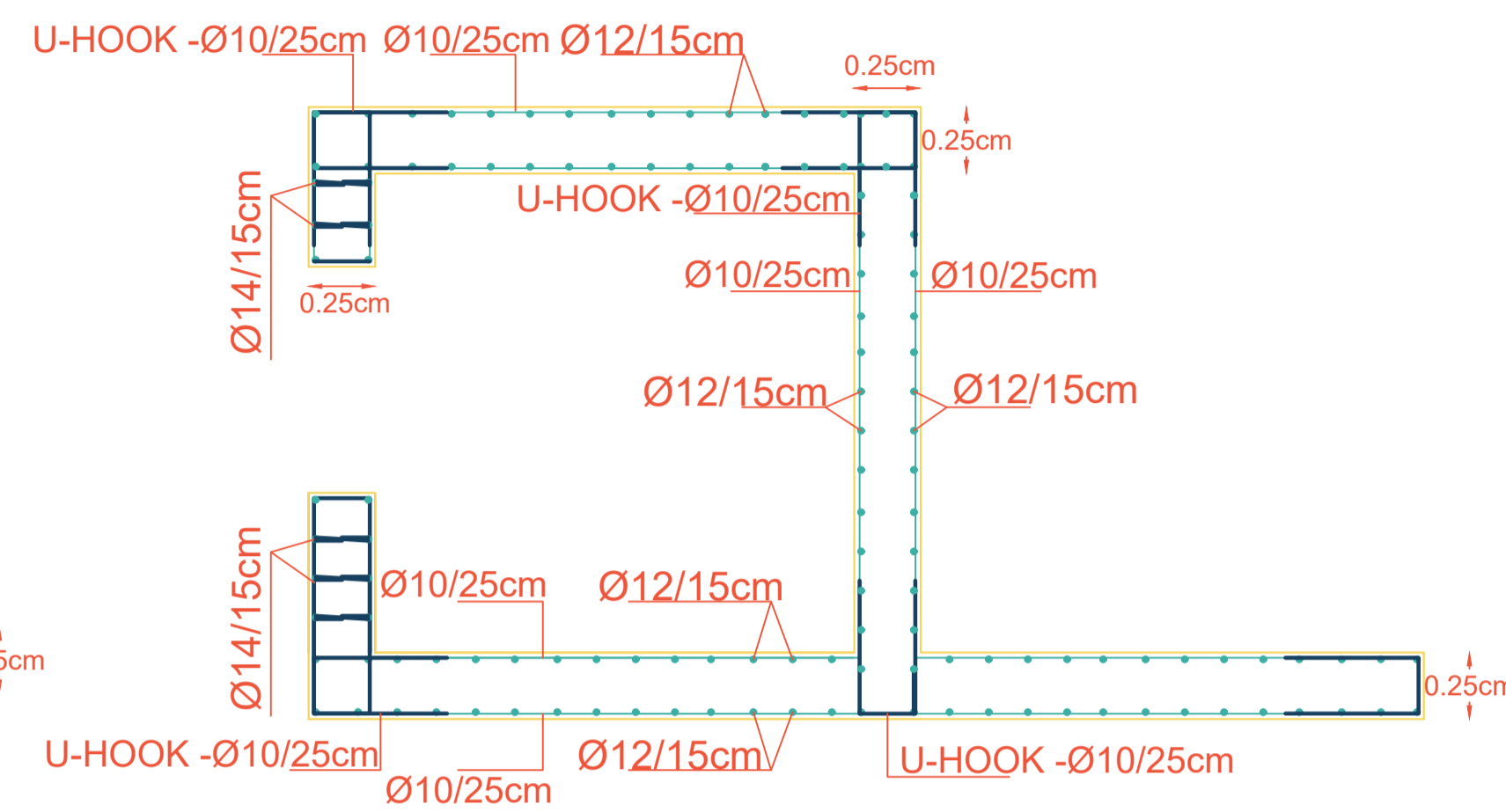
Building Engineering

Al Ahd - Structural Design

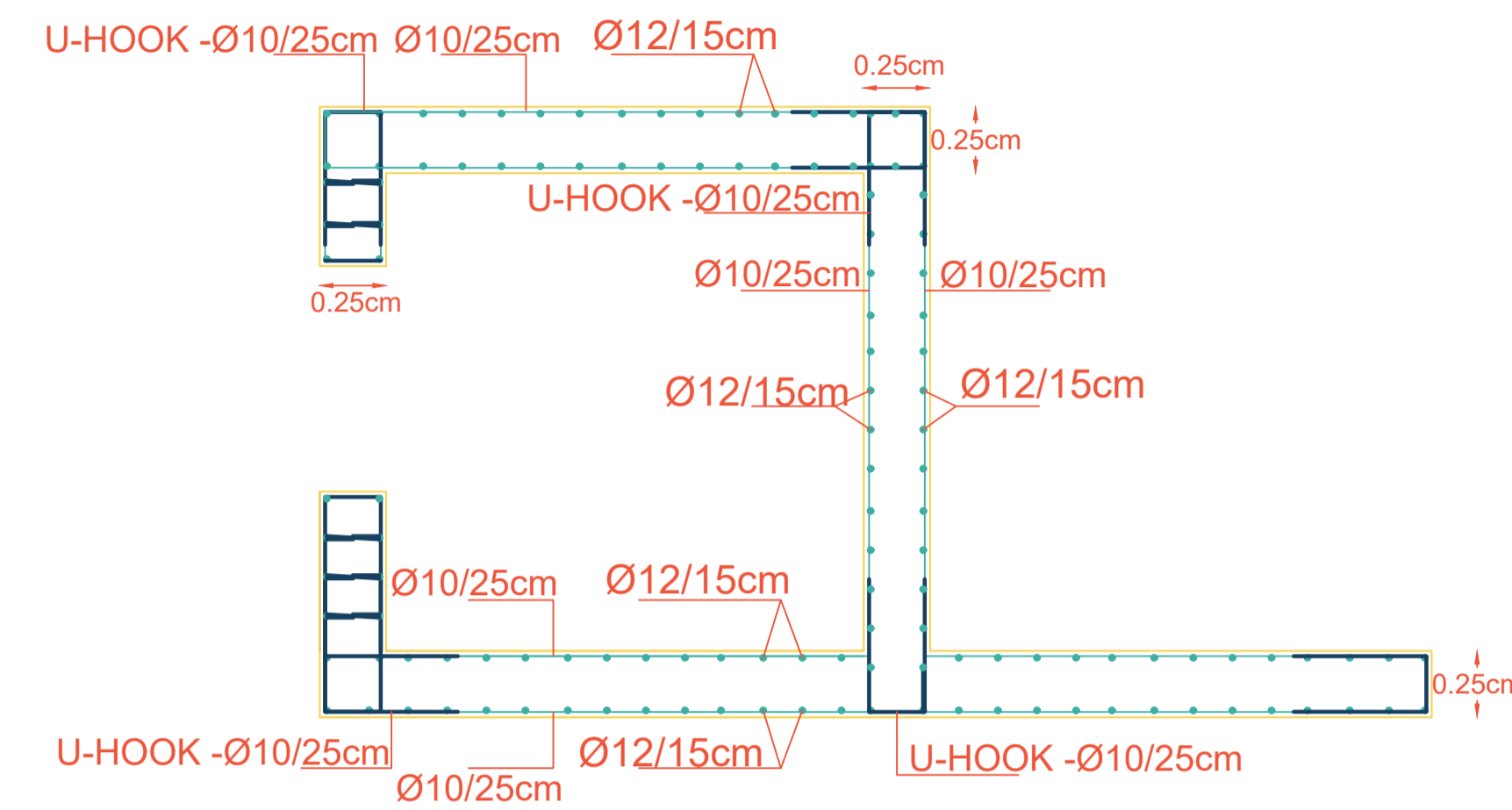
Graduation Project



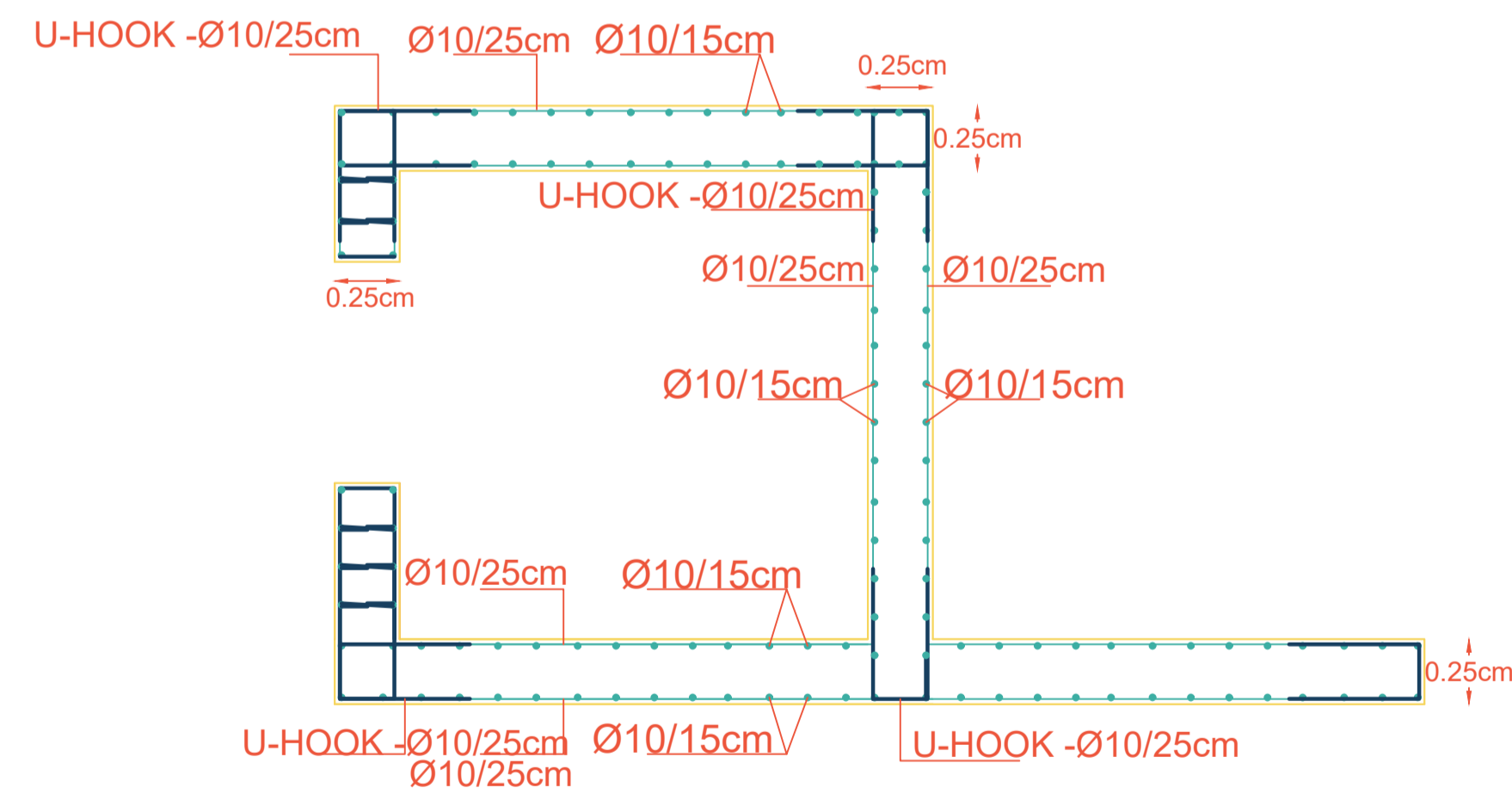
WS-1:Section-parking
(Scale = 1:50)



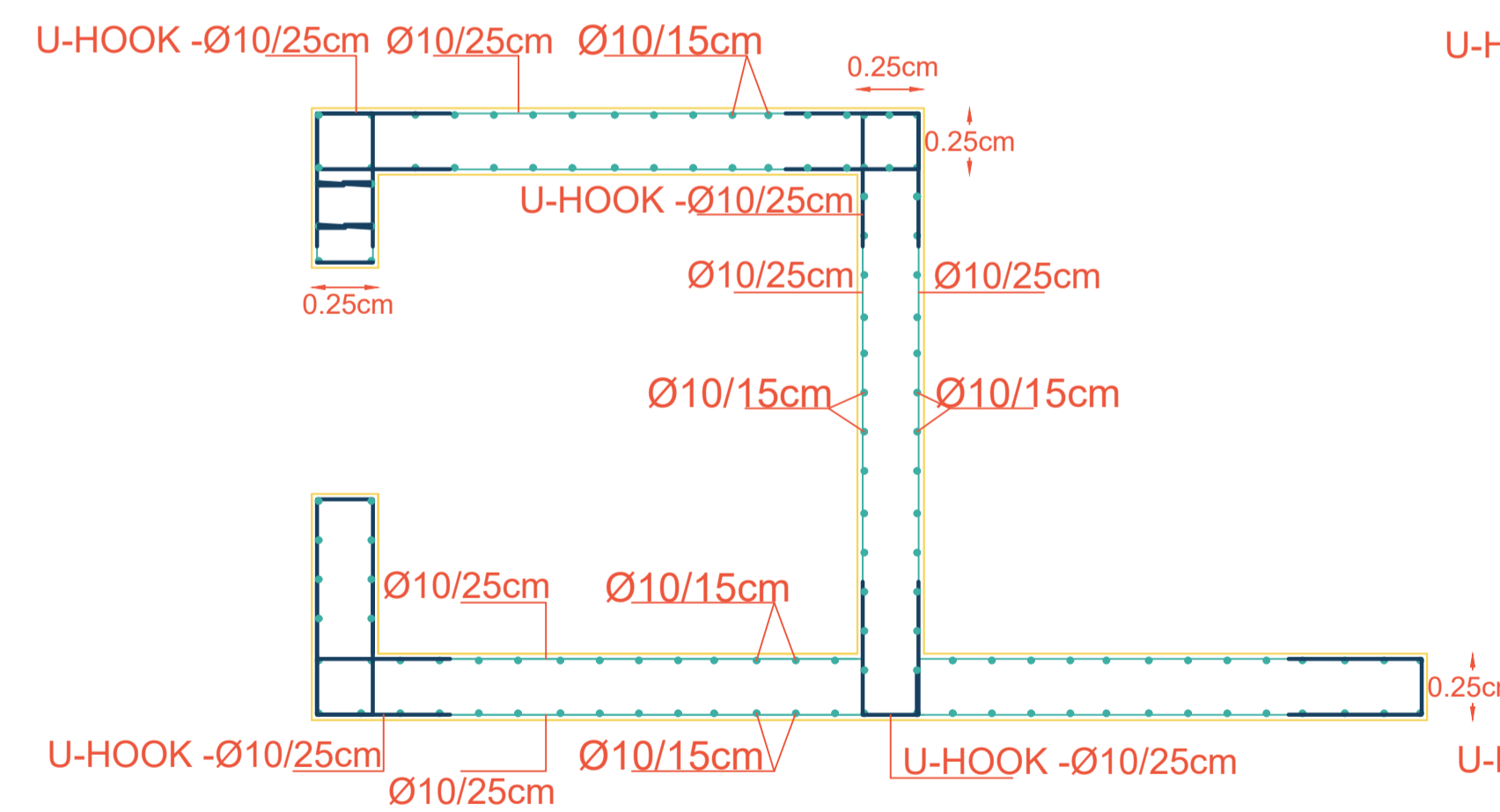
WS-2:Section-basment
(Scale = 1:50)



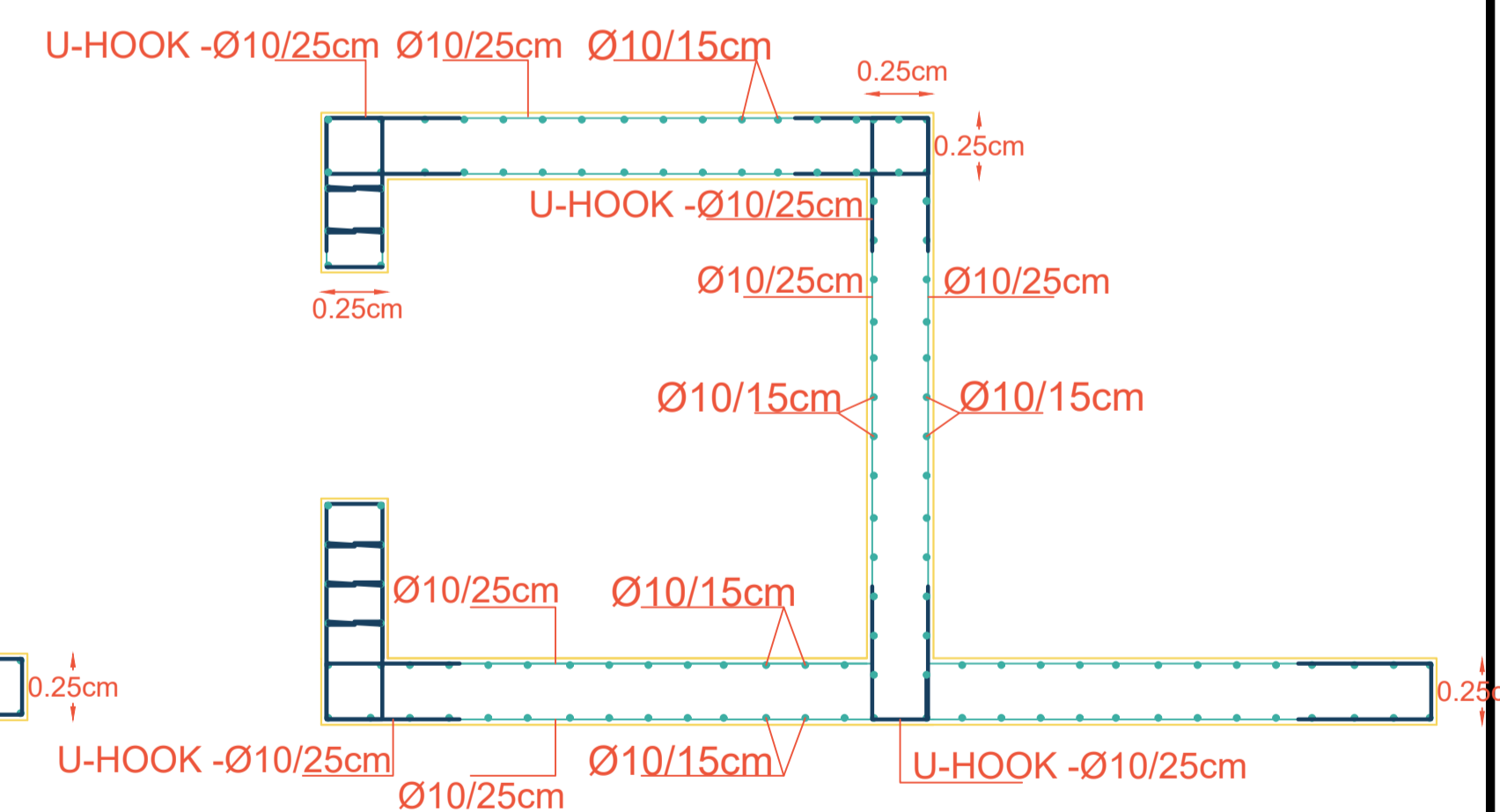
WS-3:Section-ground
(Scale = 1:50)



WS-4 Section-servis
(Scale = 1:50)



WS-5:Section-story1
(Scale = 1:50)



WS-5:Section-story2
(Scale = 1:50)

TITLE

Wall Detailing
WALL 11

SUPERVISOR

Eng. Inas Shweki

DONE BY

Ahmad Tamimi
Ismail Abu Dawod
Osama Qawasma

SCALE 1:50

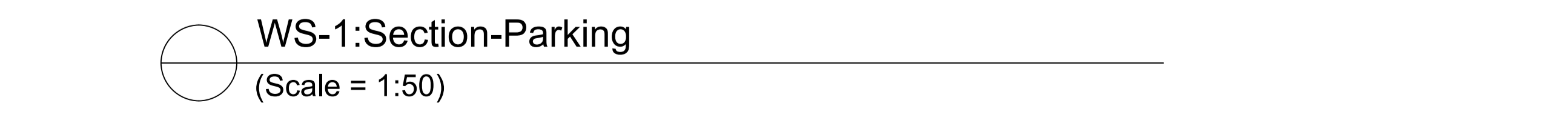
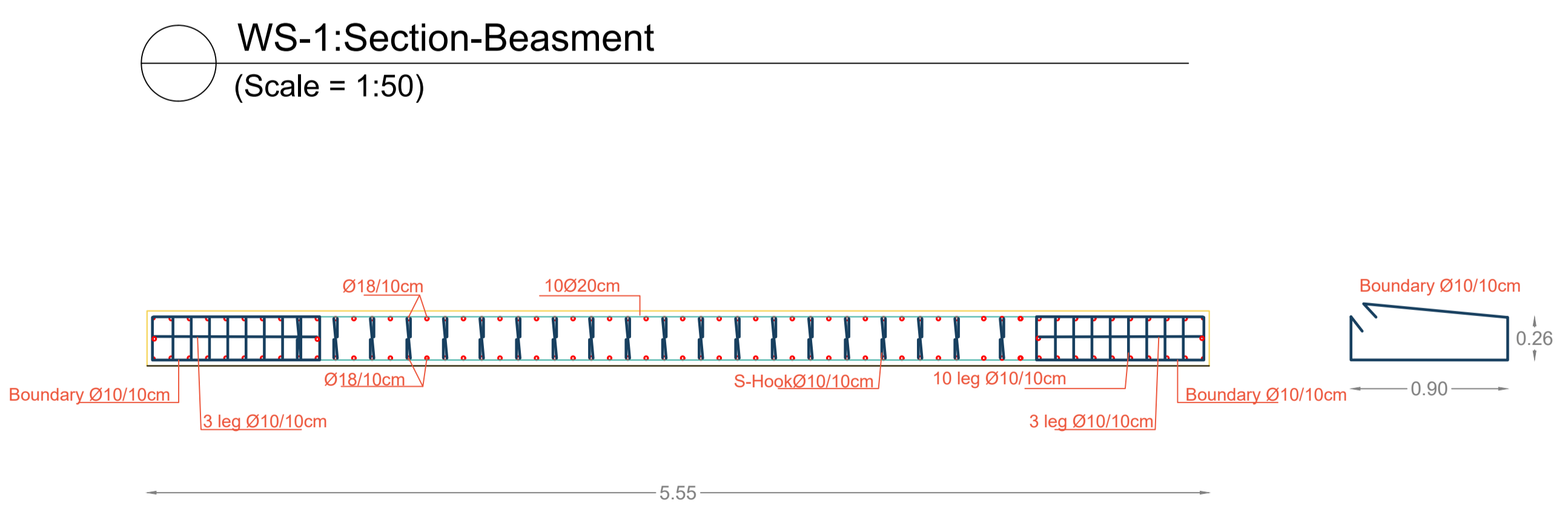
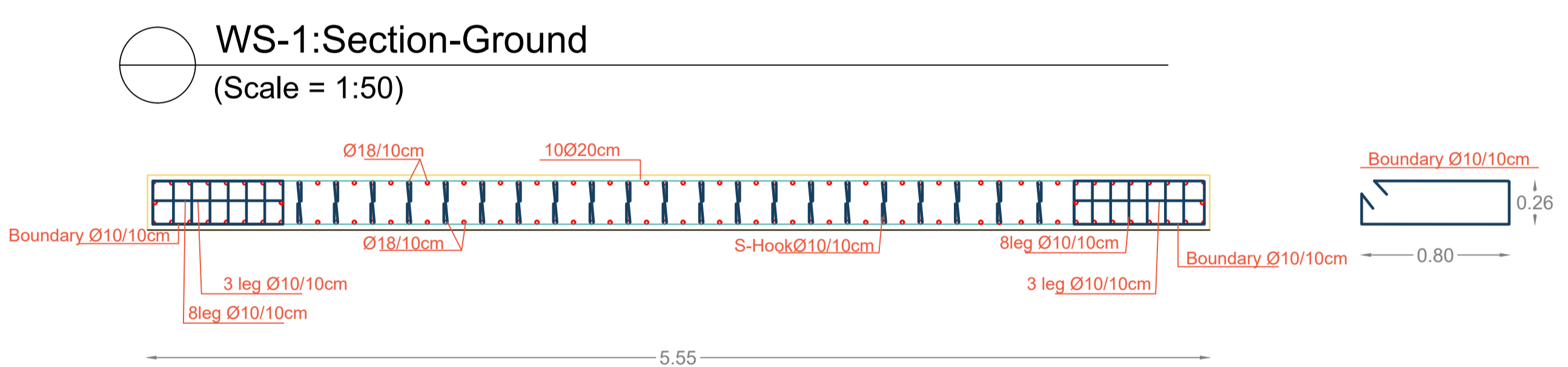
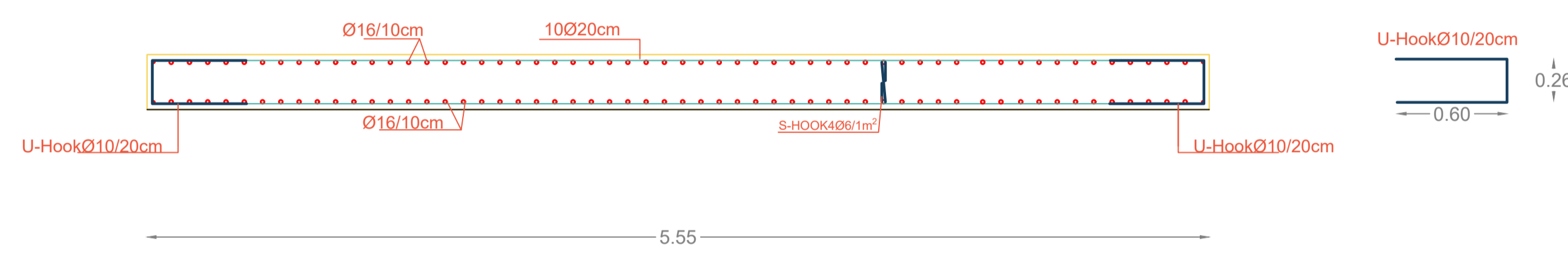
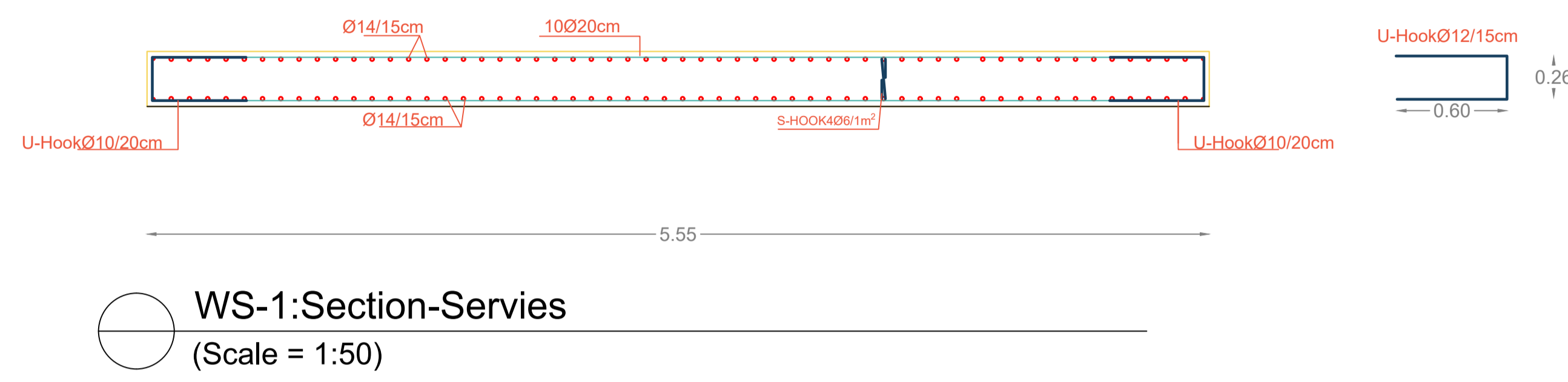
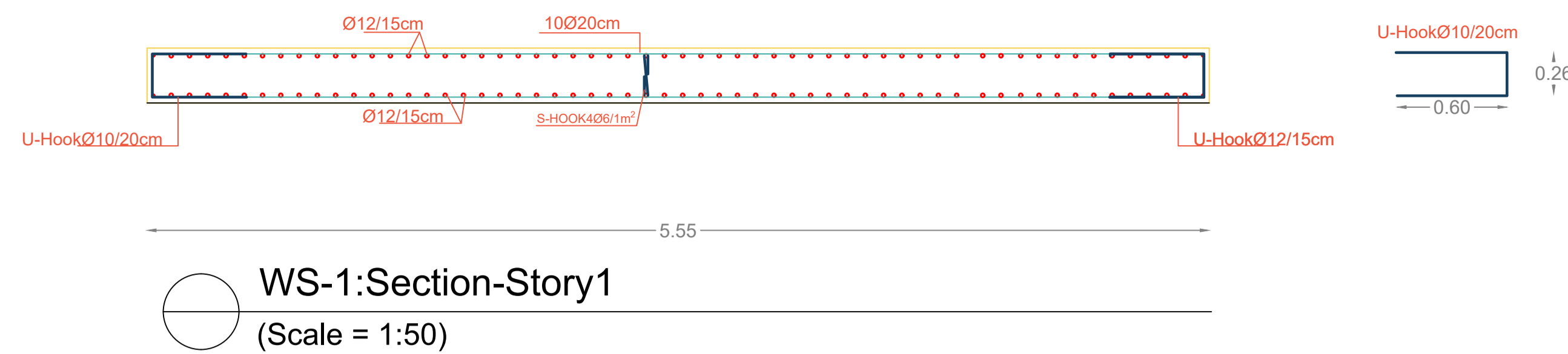
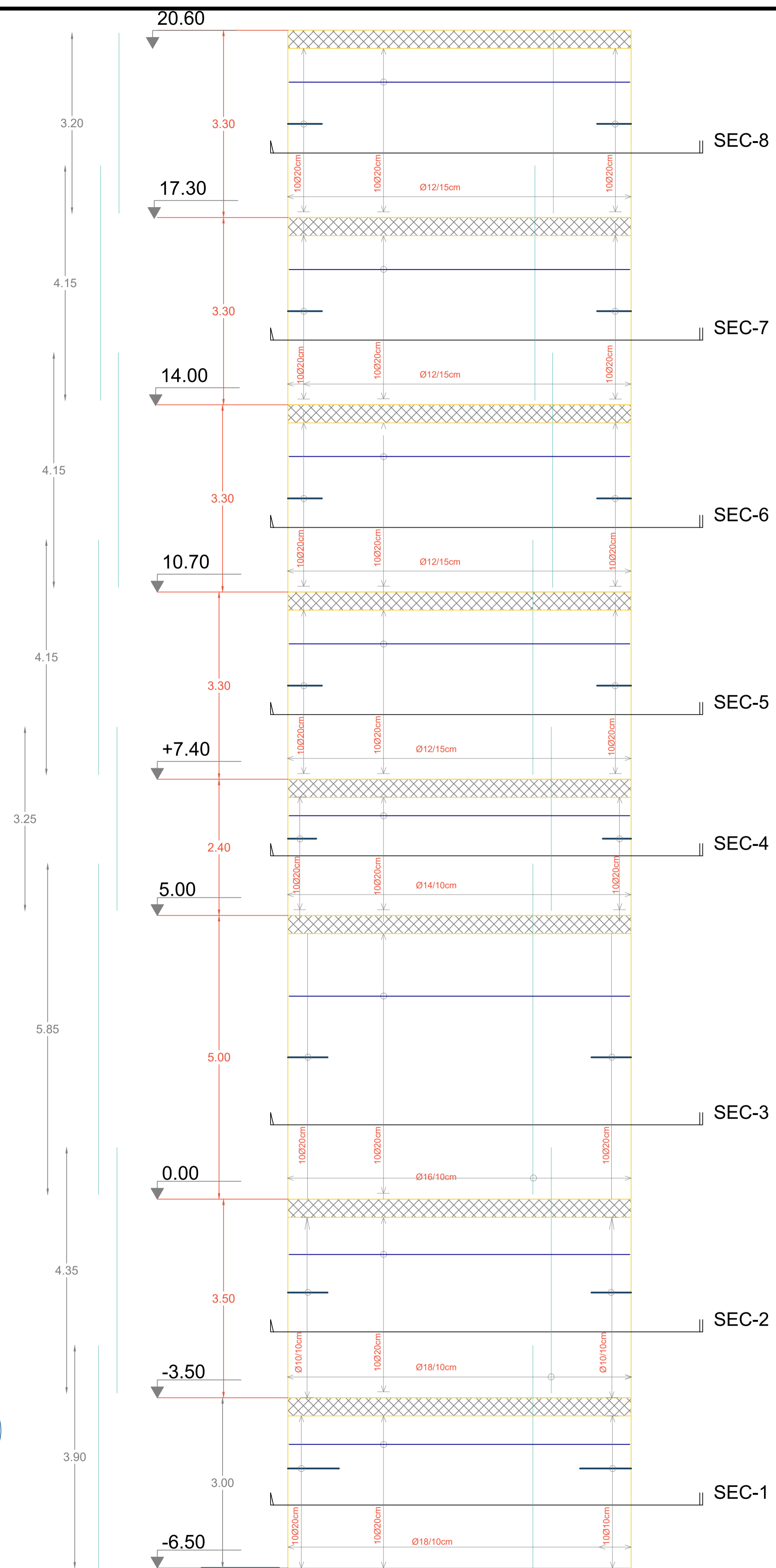
NO OF DRAW S 314

DATE 20/01/2024

Wall Detailing Wall 13

Scale: 1:50

S 316



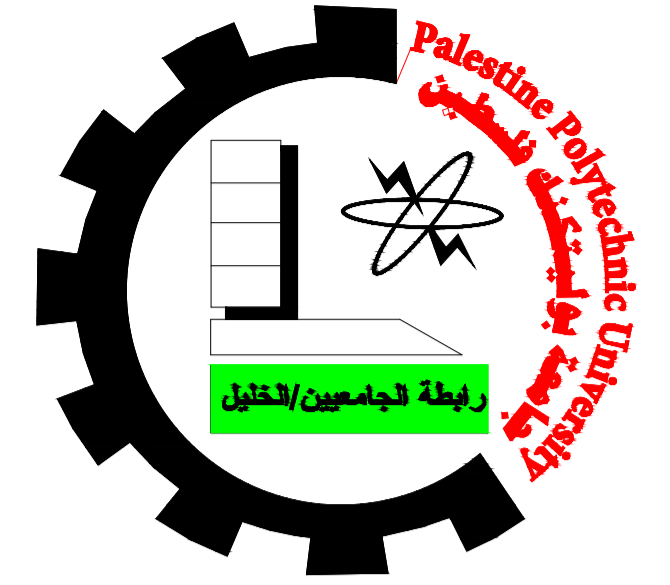
Palestine Polytechnic University
 Engineering College
 Civil Engineering Department
 Building Engineering
 Al Ahd - Structural Design
 Graduation Project

TITLE
 Wall Detailing
 WALL13

SUPERVISOR
 Eng. Inas Shweki

DONE BY
 Ahmad Tamimi
 Ismail Abu Dawod
 Osama Qawasma

SCALE	1:50
NO OF DRAW	S 316
DATE	20/01/2024



Palestine Polytechnic University

Engineering College

Civil Engineering Department

Building Engineering

Al Ahd - Structural Design

Graduation Project

TITLE

Wall Detailing
WALL 14

SUPERVISOR

Eng. Inas Shweki

DONE BY

Ahmad Tamimi
Ismail Abu Dawod
Osama Qawasma

SCALE 1:50

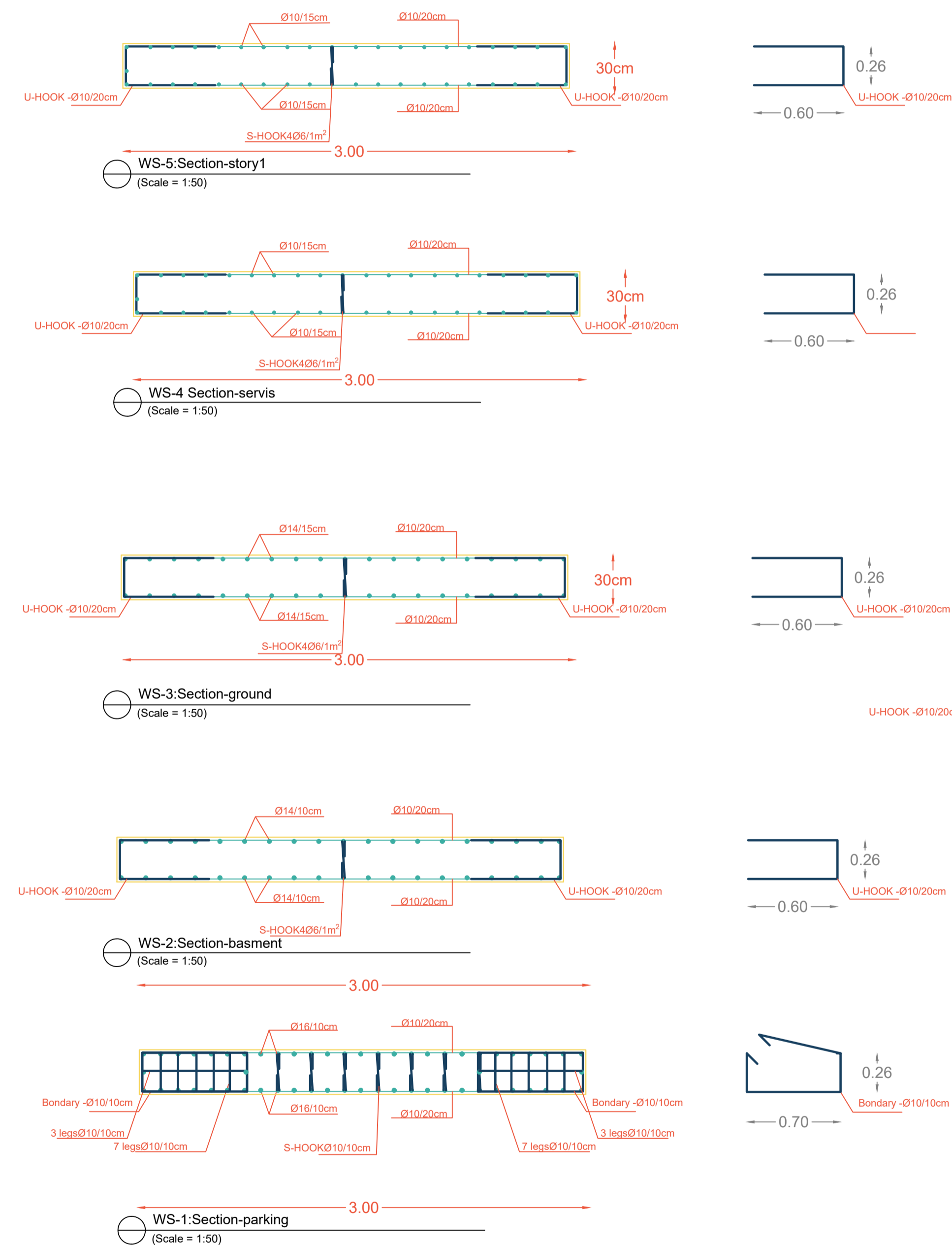
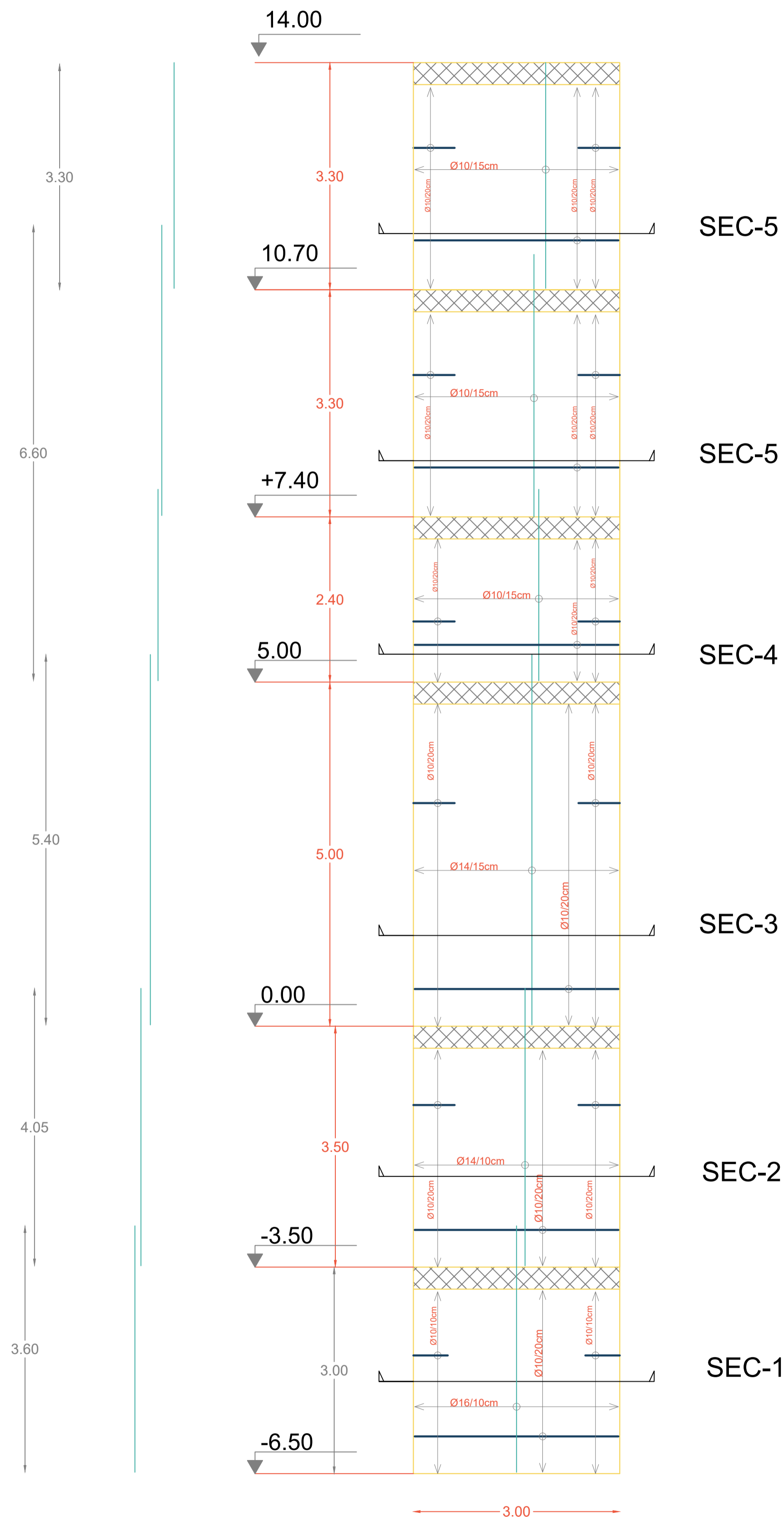
NO OF DRAW S 317

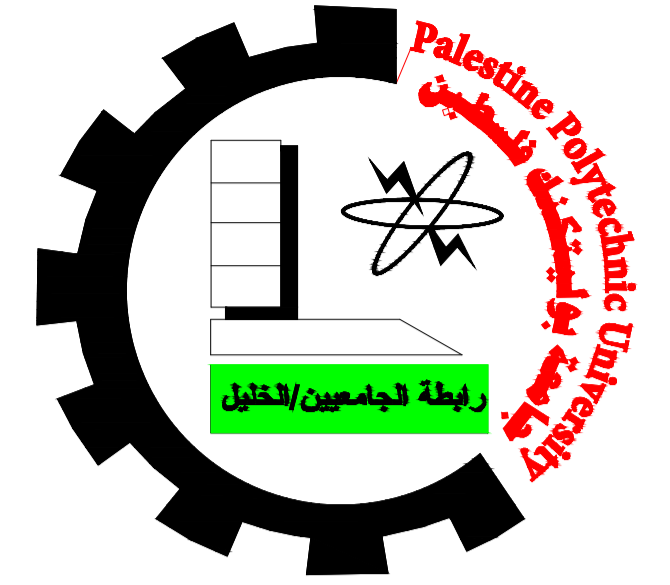
DATE 20/01/2024

Wall Detailing Wall 14

Scale: 1:50

S 317





Palestine Polytechnic University

Engineering College

Civil Engineering Department

Building Engineering

Al Ahd - Structural Design

Graduation Project

TITLE

Wall Detailing
WALL 15

SUPERVISOR

Eng. Inas Shweki

DONE BY

Ahmad Tamimi
Ismail Abu Dawod
Osama Qawasma

SCALE 1:50

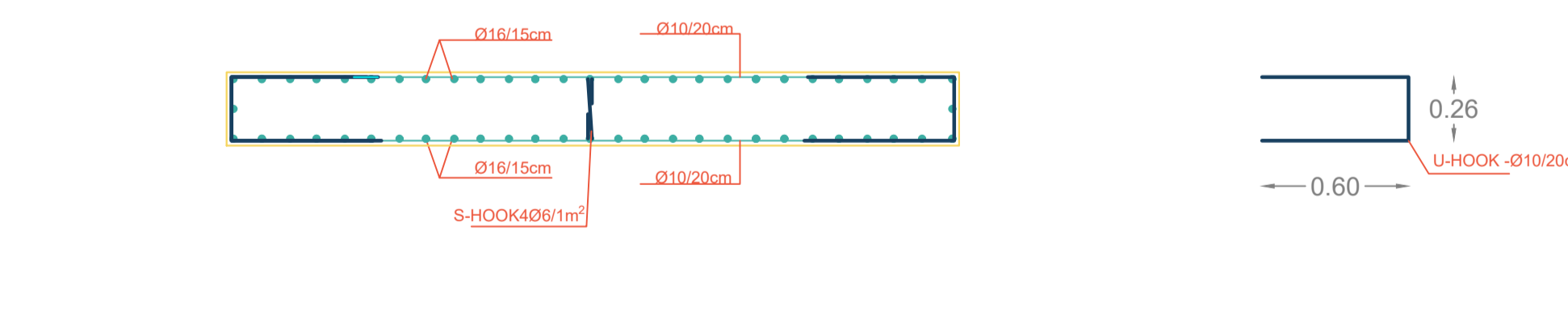
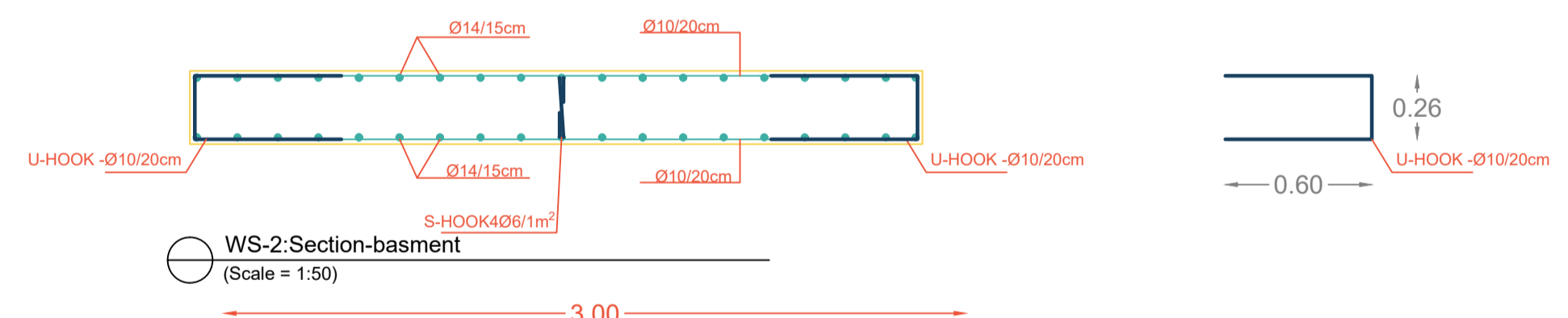
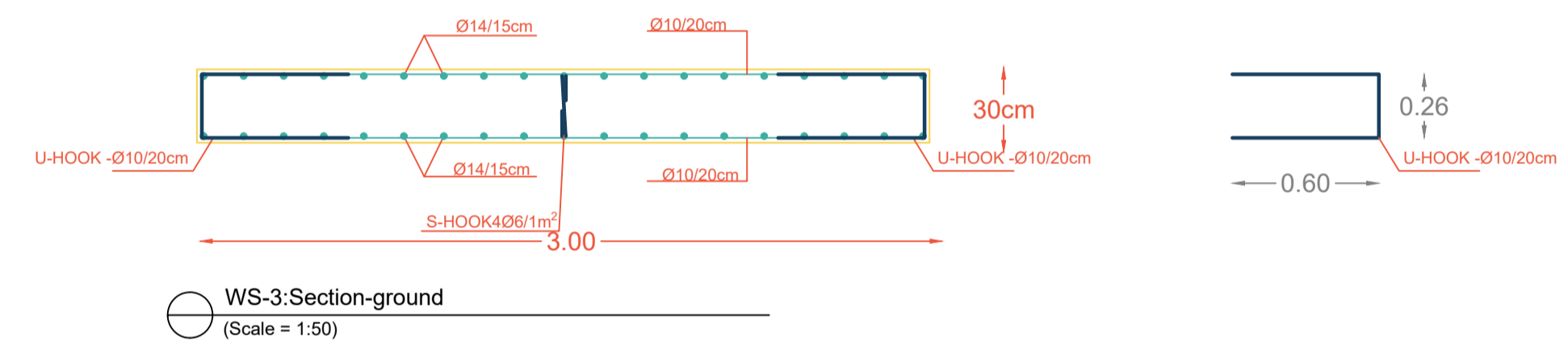
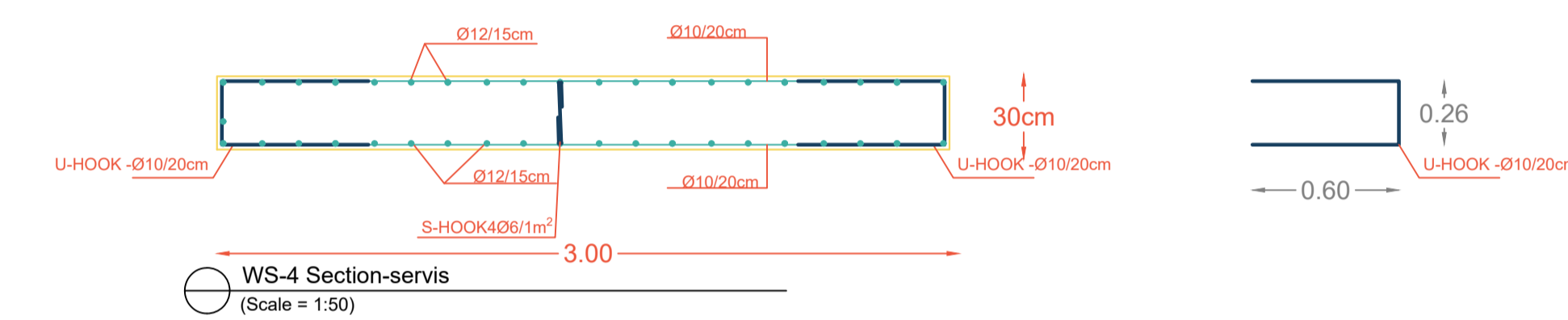
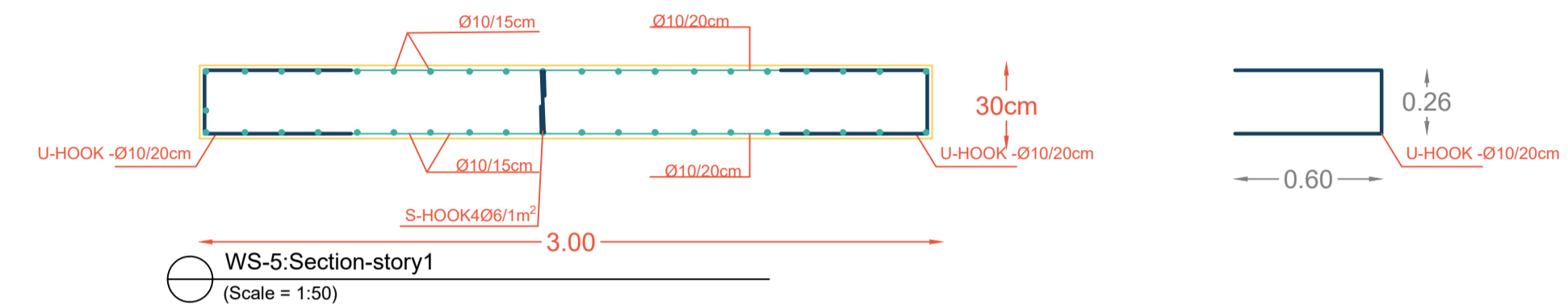
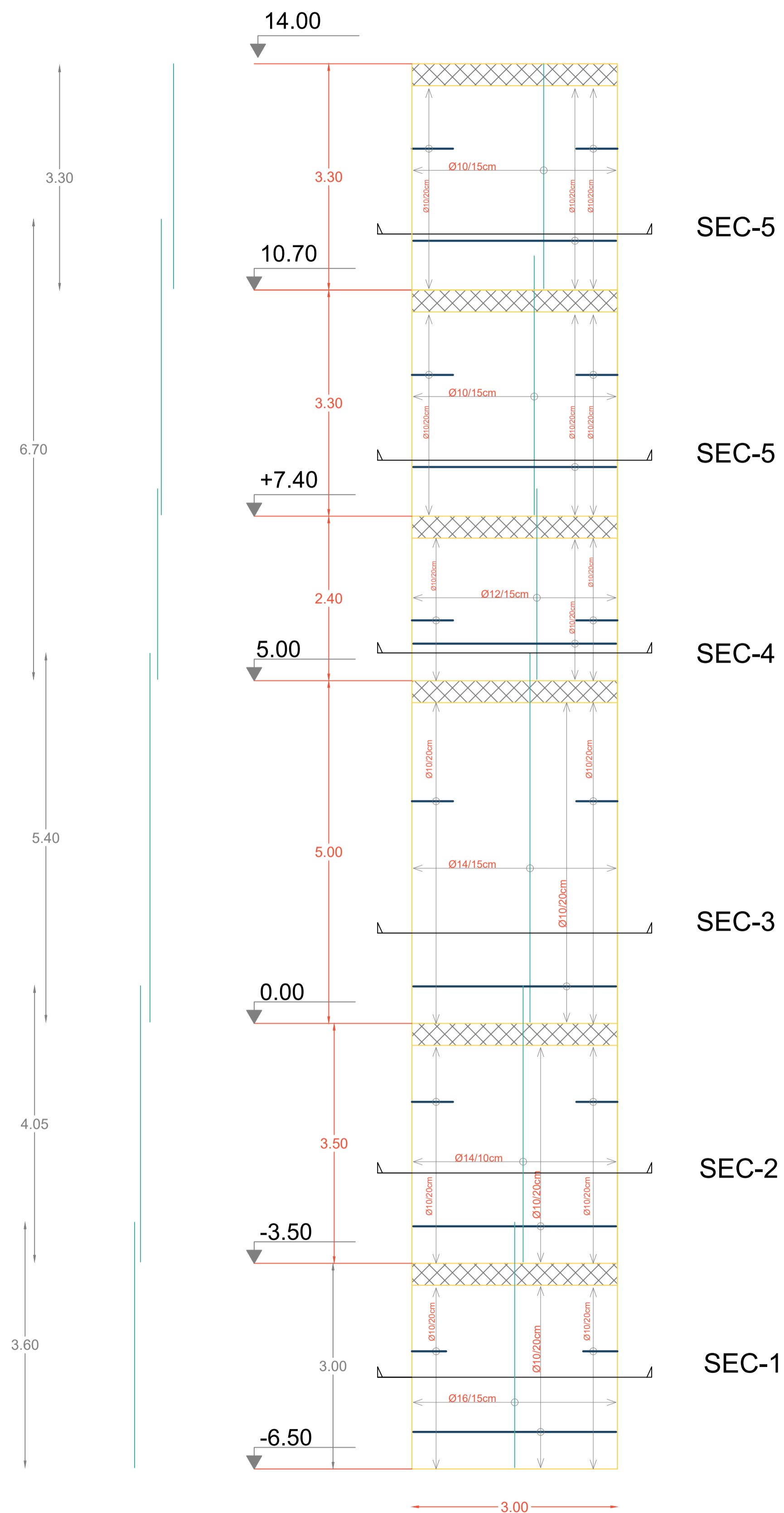
NO OF DRAW S 318

DATE 20/01/2024

Wall Detailing Wall 15

Scale: 1:50

S 318





Palestine Polytechnic University

Engineering College

Civil Engineering Department

Building Engineering

Al Ahd - Structural Design

Graduation Project

TITLE

Wall Detailing
WALL16

SUPERVISOR

Eng. Inas Shweki

DONE BY

Ahmad Tamimi
Ismail Abu Dawod
Osama Qawasma

SCALE 1:50

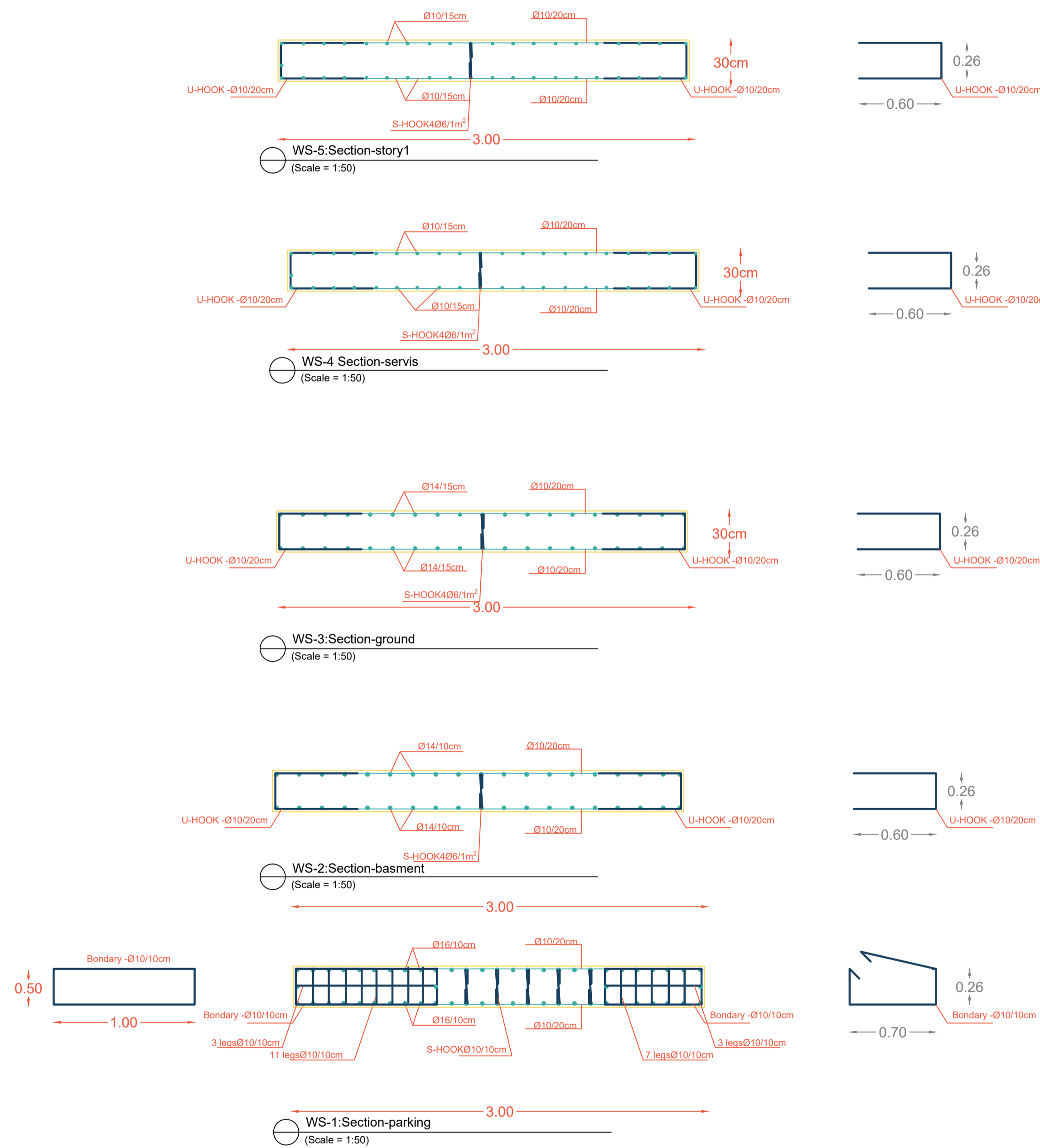
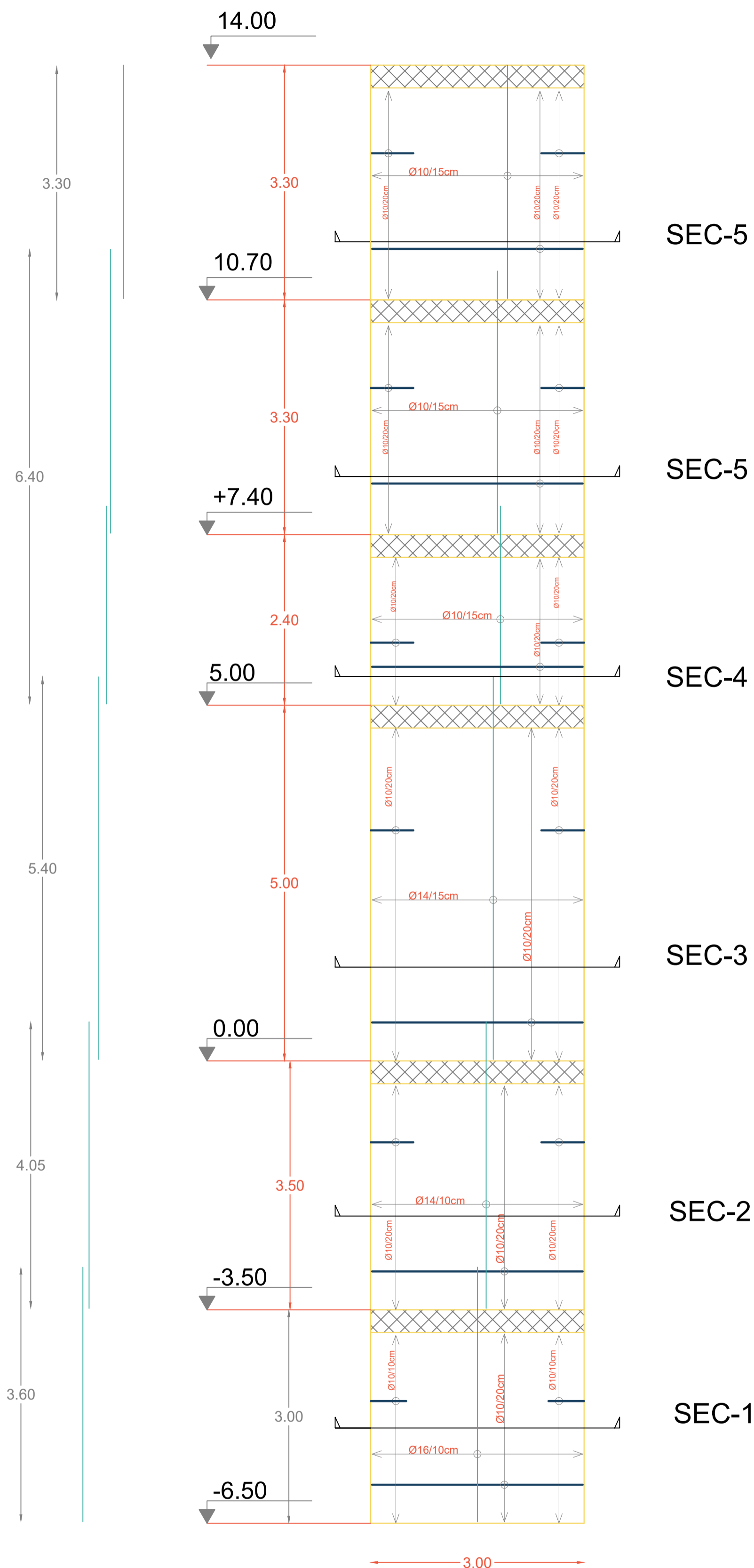
NO OF DRAW S 319

DATE 20/01/2024

Wall Detailing Wall 16

Scale: 1:50

S 319





Palestine Polytechnic University

Engineering College

Civil Engineering Department

Building Engineering

Al Ahd - Structural Design

Graduation Project

TITLE

Wall Detailing
WALL 17

SUPERVISOR

Eng. Inas Shweki

DONE BY

Ahmad Tamimi
Ismail Abu Dawod
Osama Qawasma

SCALE 1:50

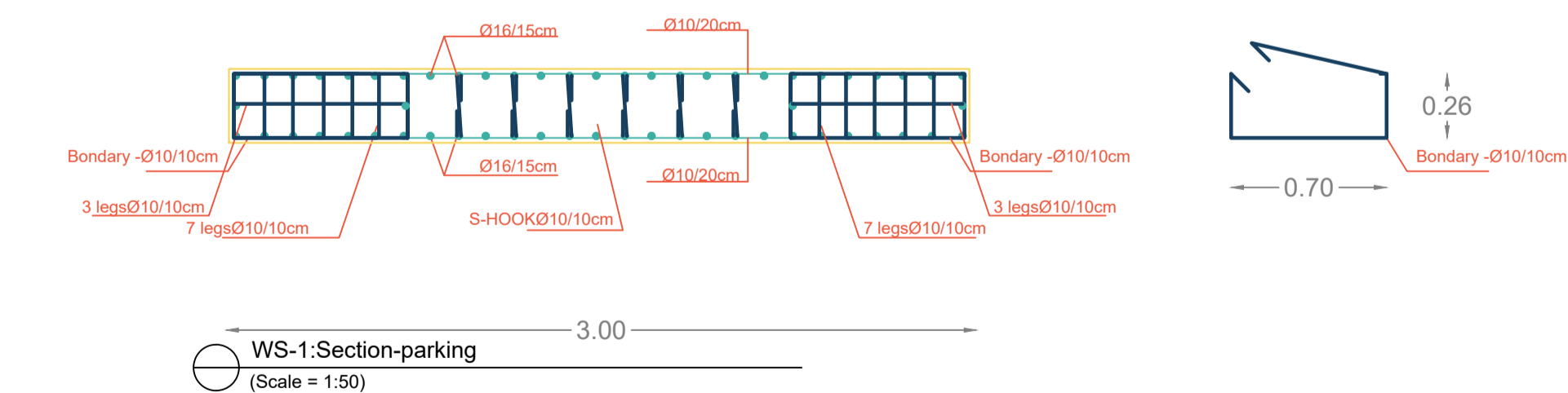
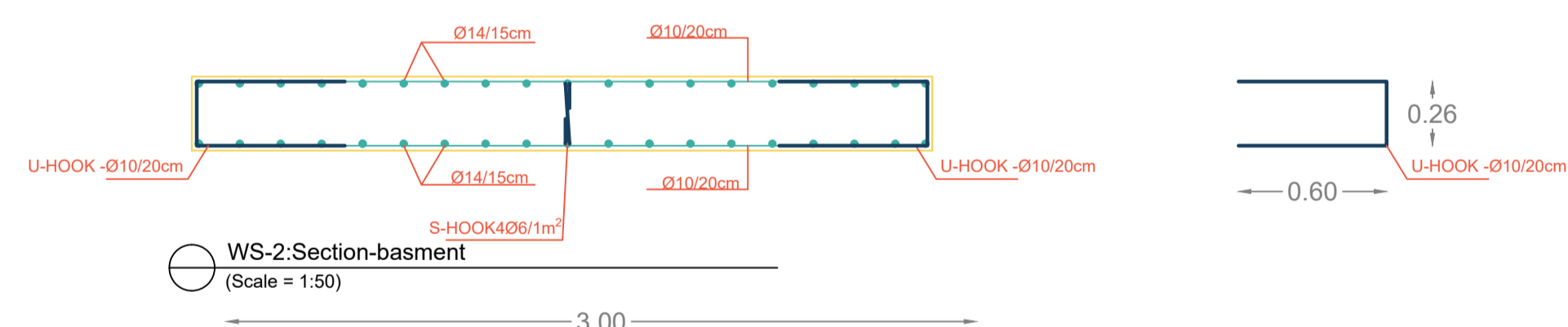
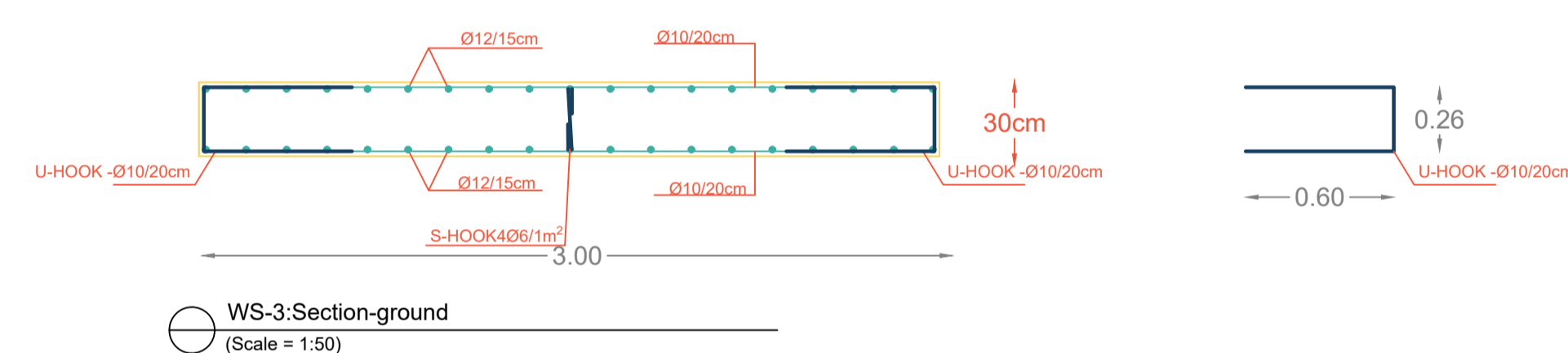
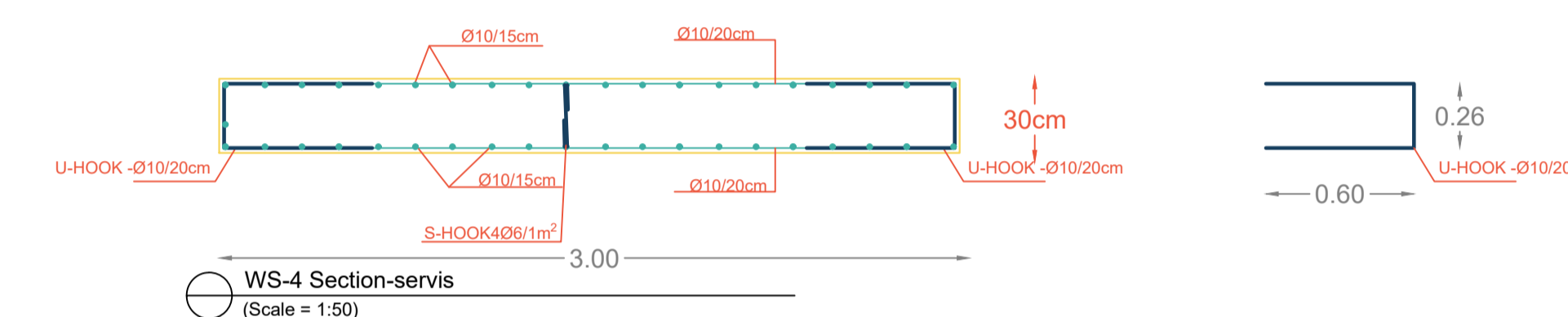
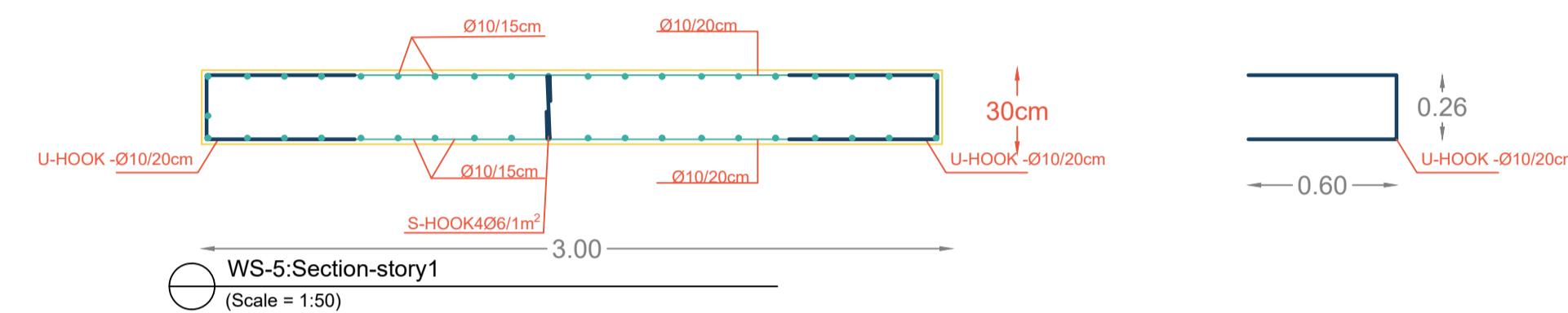
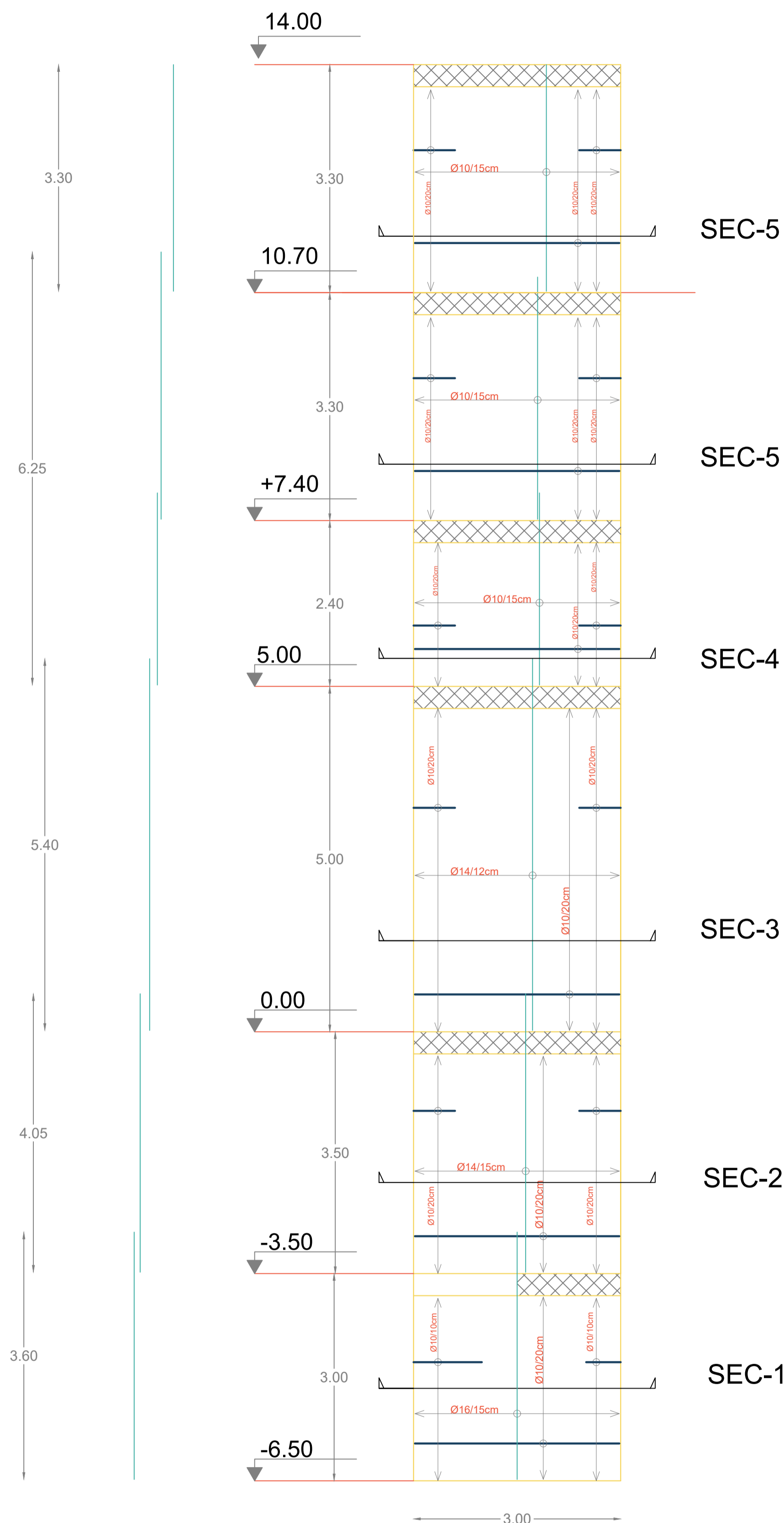
NO OF DRAW S 320

DATE 20/01/2024

Wall Detailing Wall17

Scale: 1:50

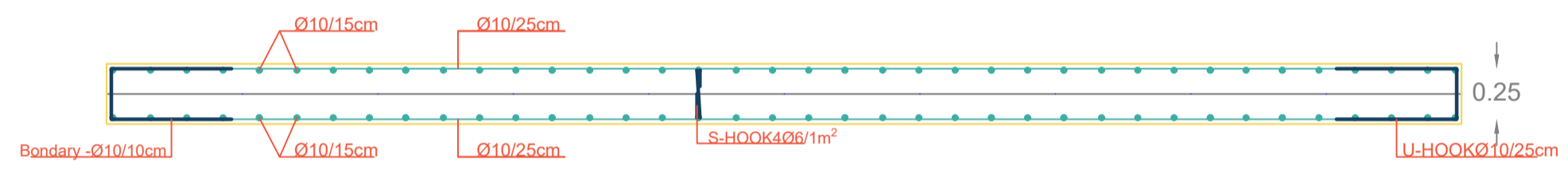
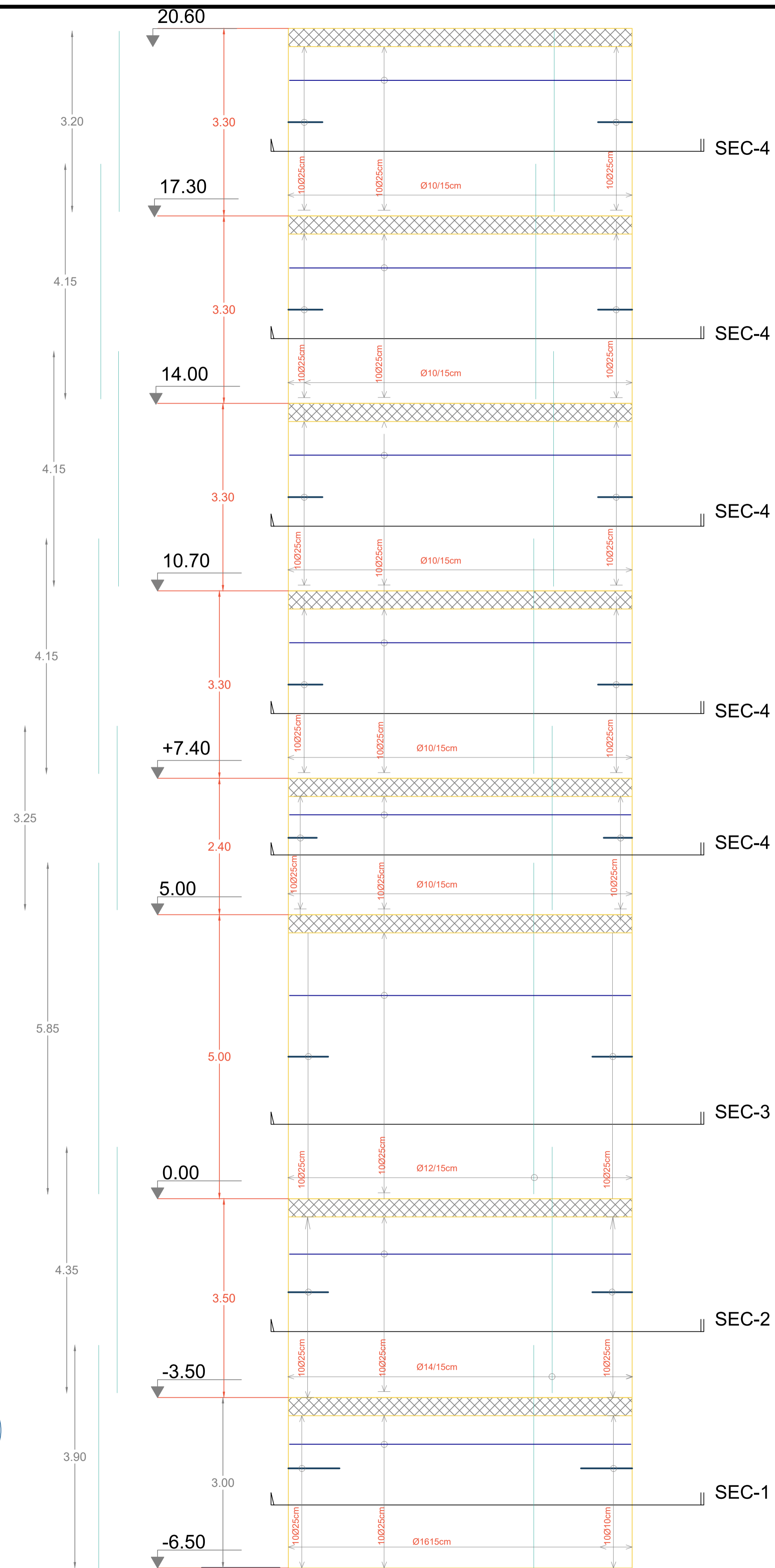
S 319



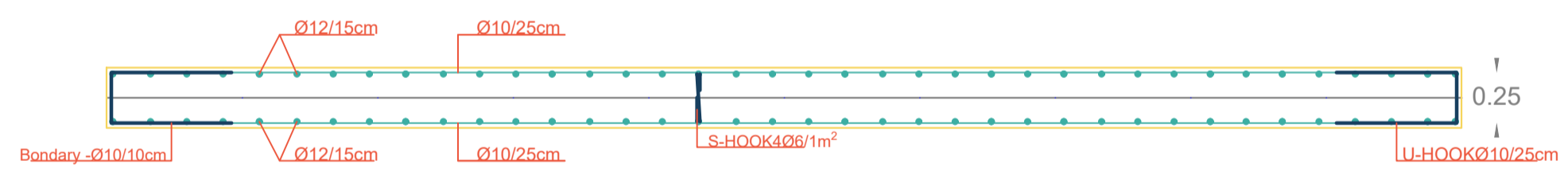
Wall Detailing Wall 18

Scale: 1:50

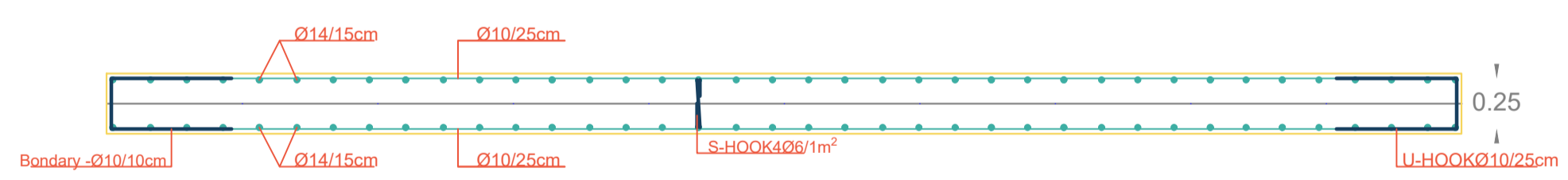
S 321



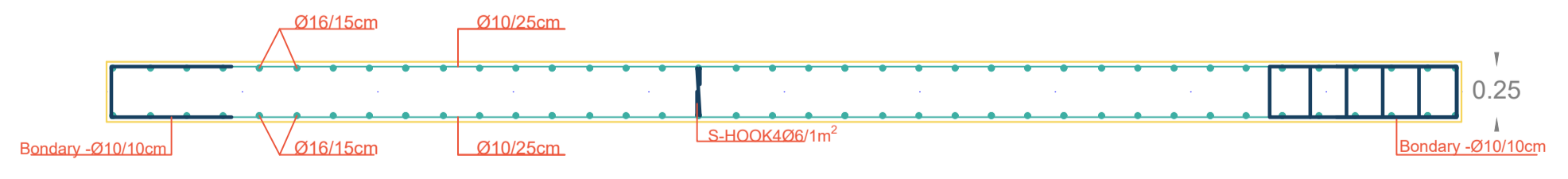
WS-4 Section-servis (Scale = 1:50)



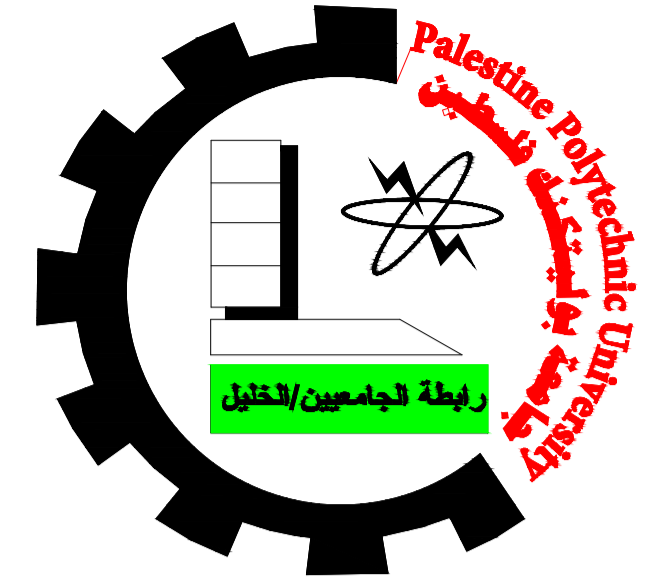
WS-3 Section-ground (Scale = 1:50)



WS-2 Section-basment (Scale = 1:50)



WS-1 Section-parking (Scale = 1:50)



Palestine Polytechnic University
 Engineering College
 Civil Engineering Department
 Building Engineering
 Al Ahd - Structural Design
 Graduation Project

TITLE
 Wall Detailing
 WALL18

SUPERVISOR
 Eng. Inas Shweki

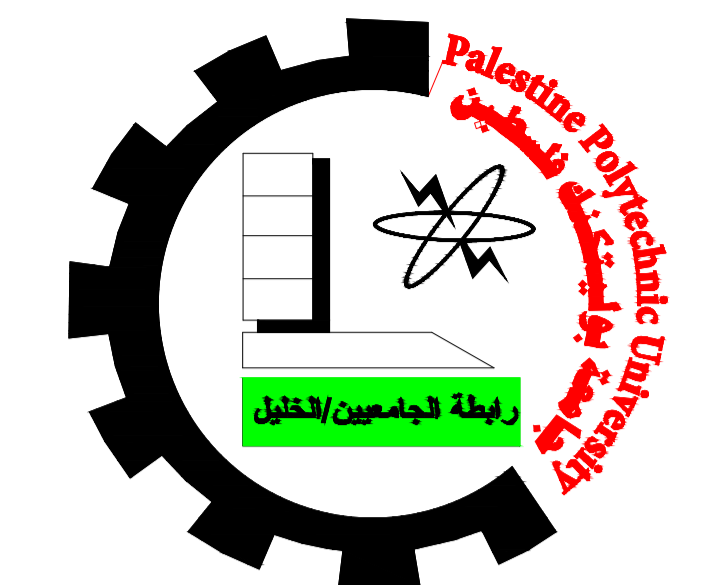
DONE BY
 Ahmad Tamimi
 Ismail Abu Dawod
 Osama Qawasma

SCALE	1:50
NO OF DRAW	S 321
DATE	20/01/2024

S 322

Wall Detailing - Basement Wall

Scale: 1:50



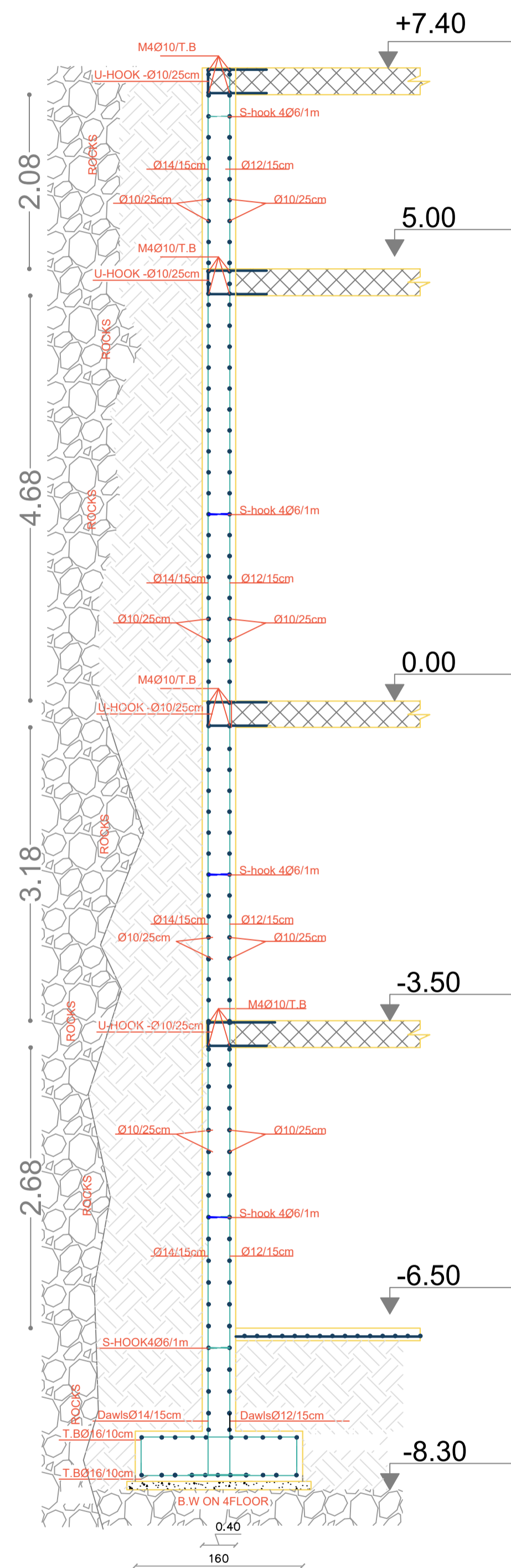
Palestine Polytechnic University
 Engineering College
 Civil Engineering Department
 Building Engineering
 Al Ahd - Structural Design
 Graduation Project

TITLE
 Wall Detailing
 Basement Wall

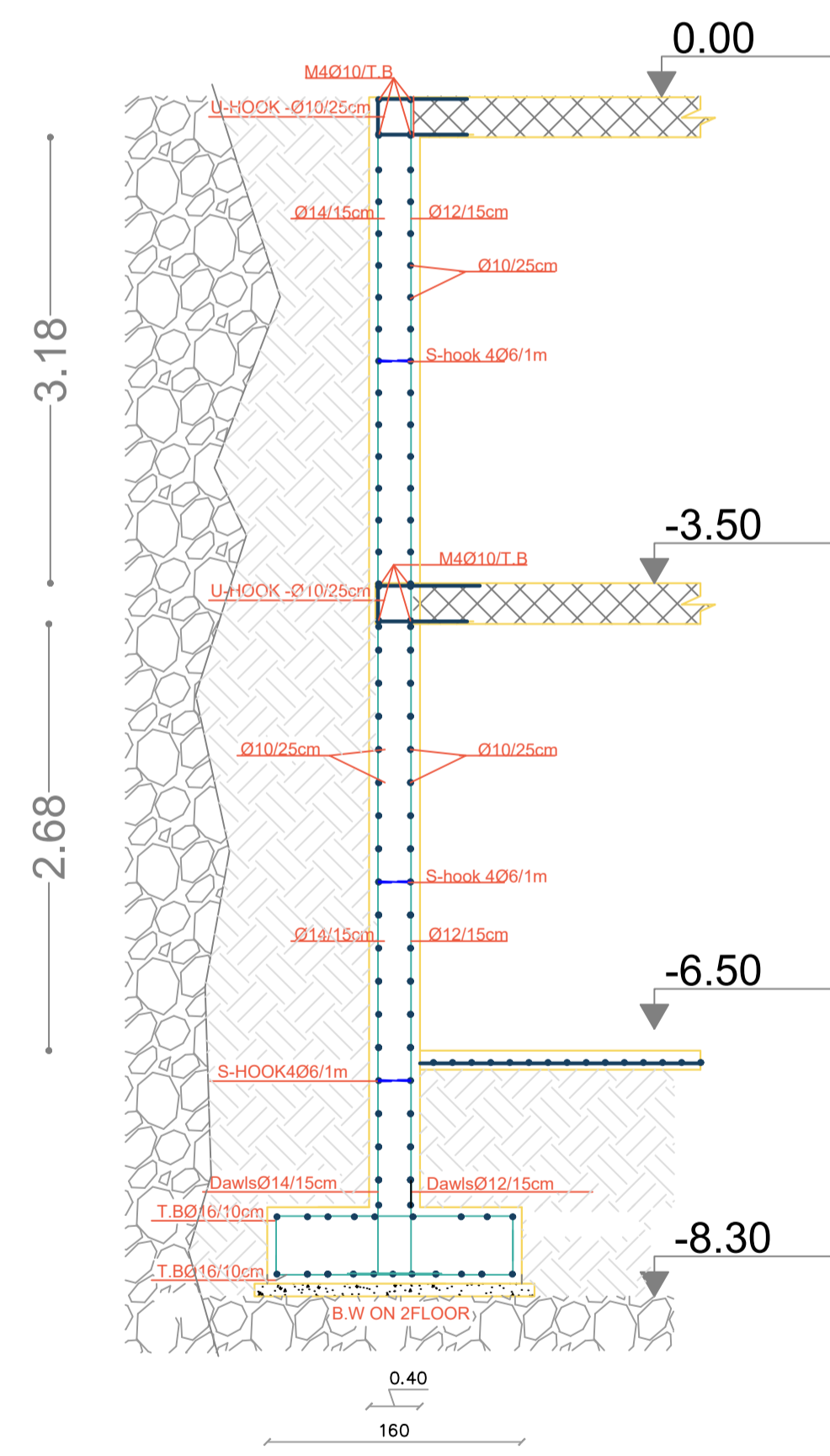
SUPERVISOR
 Eng. Inas Shweki

DONE BY
 Ahmad Tamimi
 Ismail Abu Dawod
 Osama Qawasma

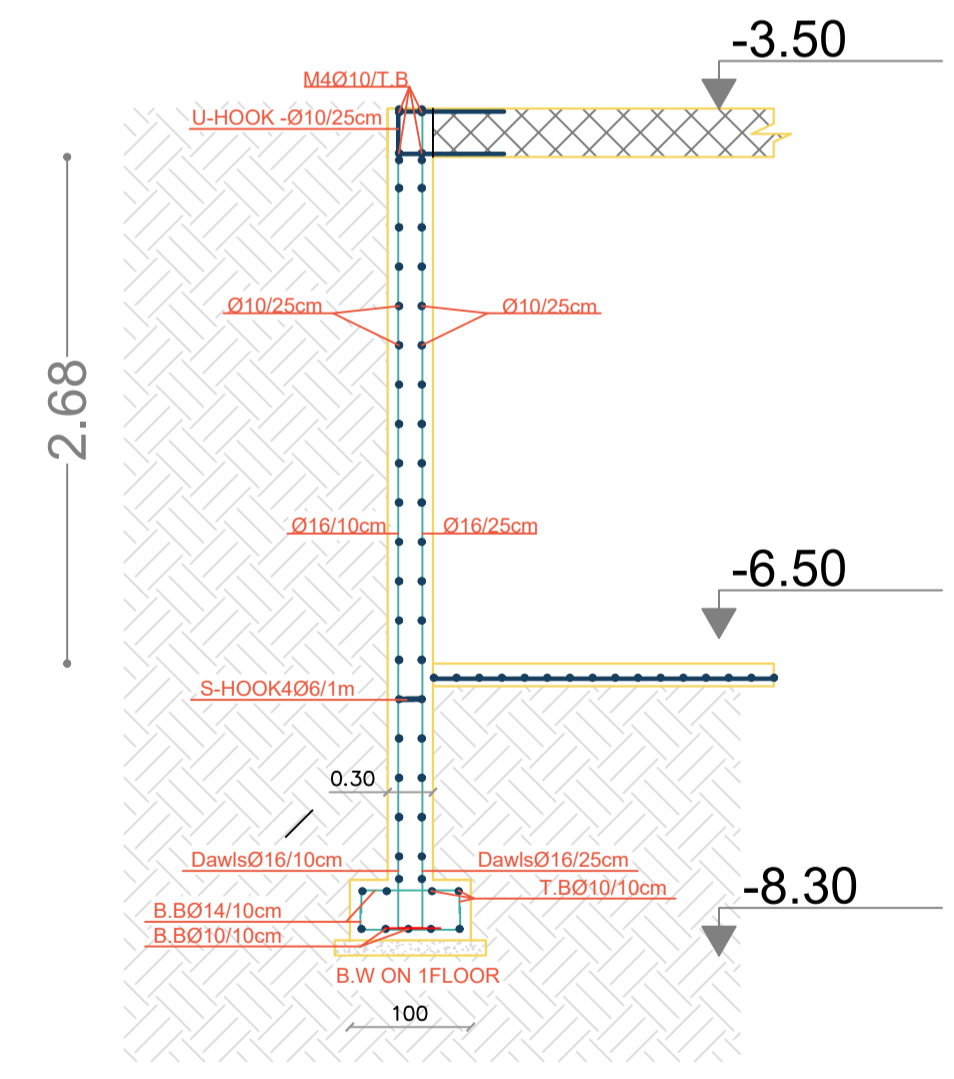
SCALE	1:50
NO OF DRAW	S 322
DATE	20/01/2024



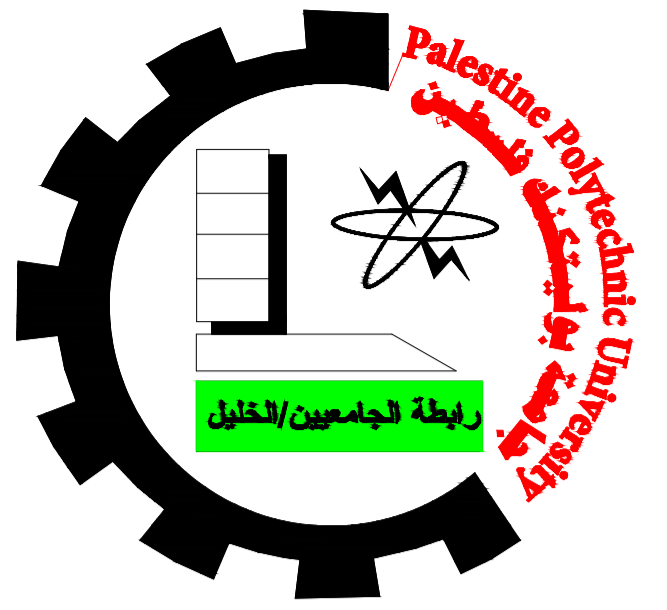
S 322 Basement Wall for 4 Floors
 Scale: 1:50



S 322 Basement Wall for 2 Floors
 Scale: 1:50



S 322 Basement Wall for 1 Floors
 Scale: 1:50



Palestine Polytechnic University

Engineering College

Civil Engineering Department

Building Engineering

Al Ahd - Structural Design

Graduation Project



TITLE

Parking Slab

SUPERVISOR

Eng. Inas Shweki

DONE BY

Ahmad Tamimi
Ismail Abu Dawod
Osama Qawasma

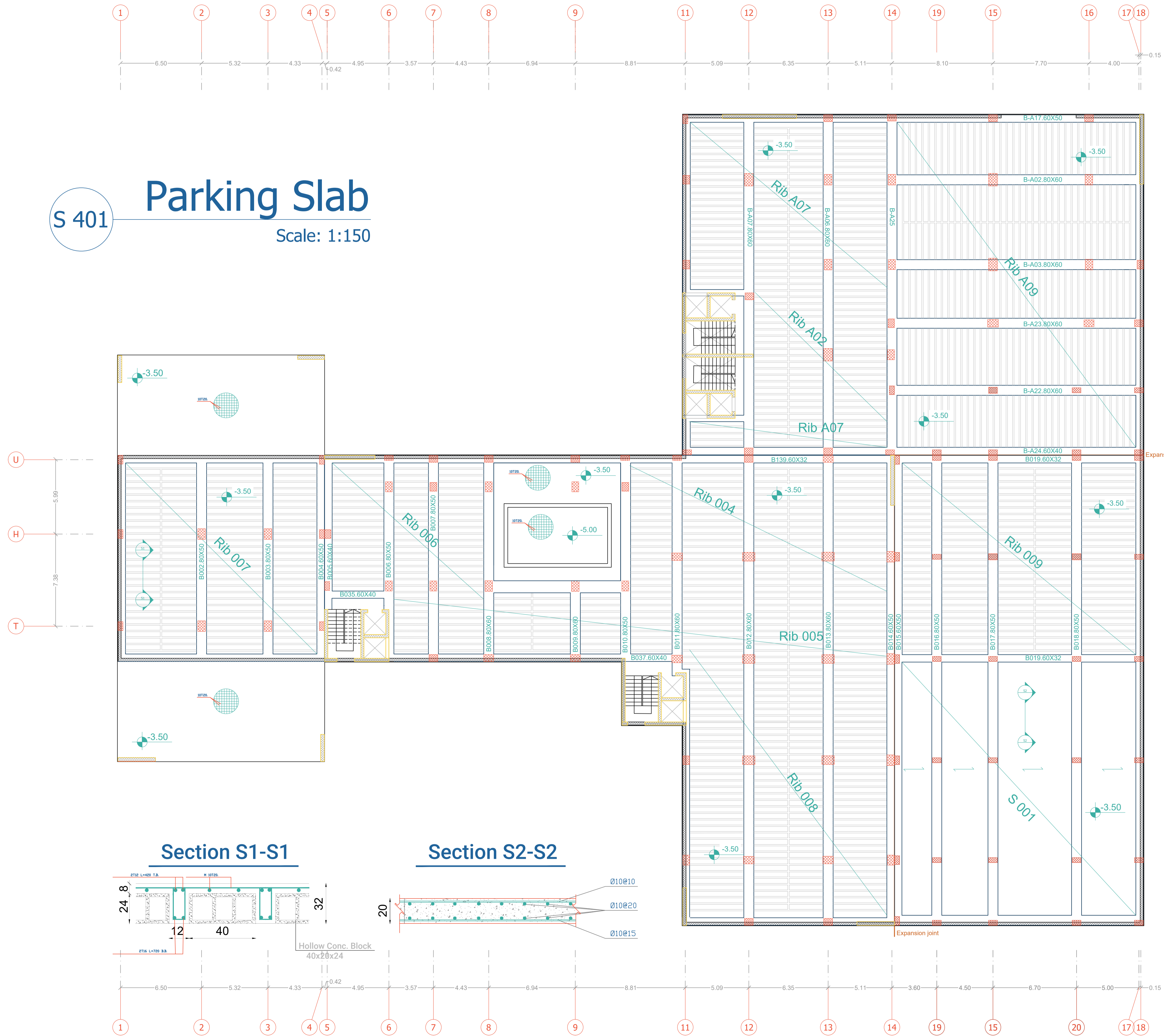
SCALE 1:150

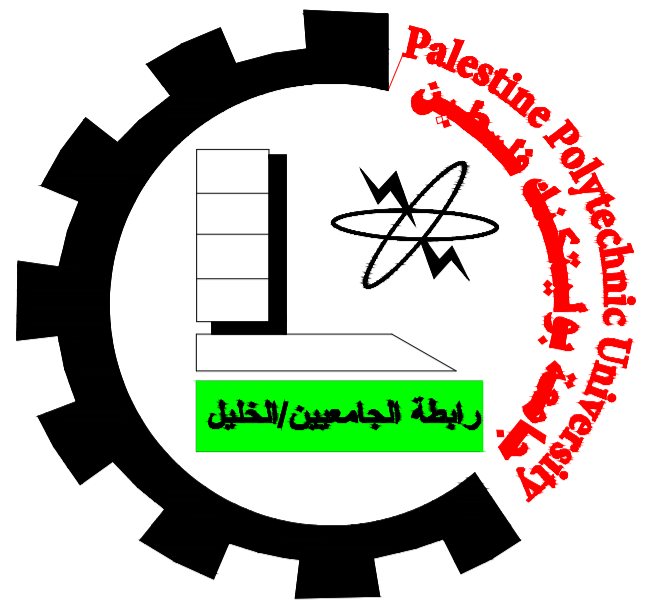
NO OF DRAW S 401

DATE 20/1/2024

S 401 Parking Slab

Scale: 1:150





Palestine Polytechnic University

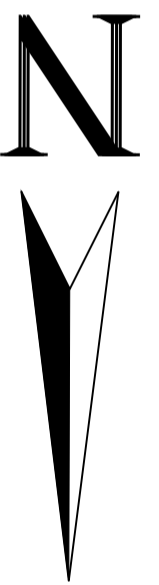
Engineering College

Civil Engineering Department

Building Engineering

Al Ahd - Structural Design

Graduation Project



TITLE

Parking Slab

SUPERVISOR

Eng. Inas Shweki

DONE BY

Ahmad Tamimi
Ismail Abu Dawod
Osama Qawasma

SCALE 1:150

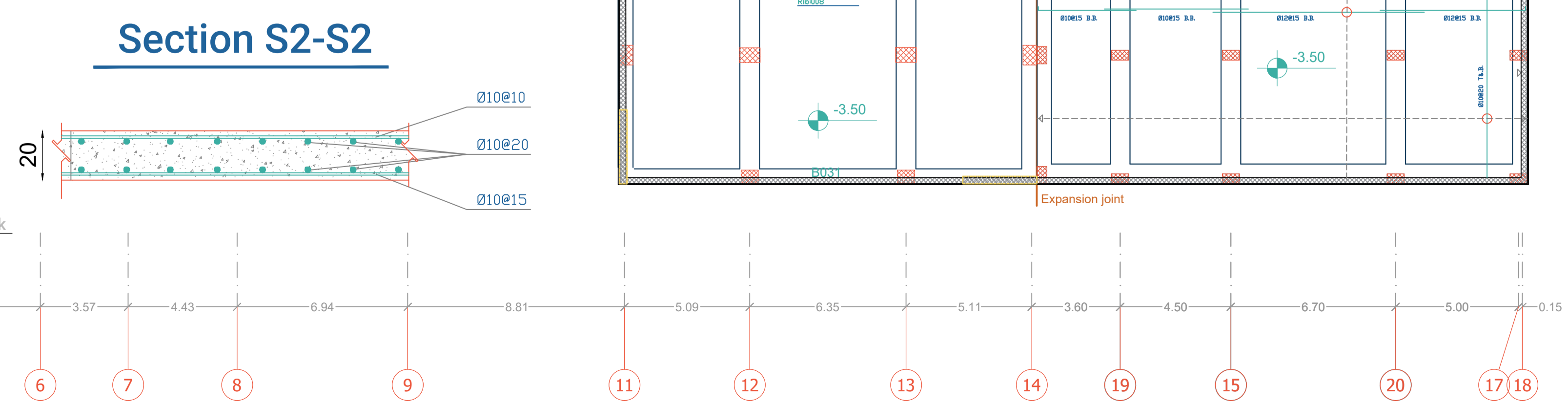
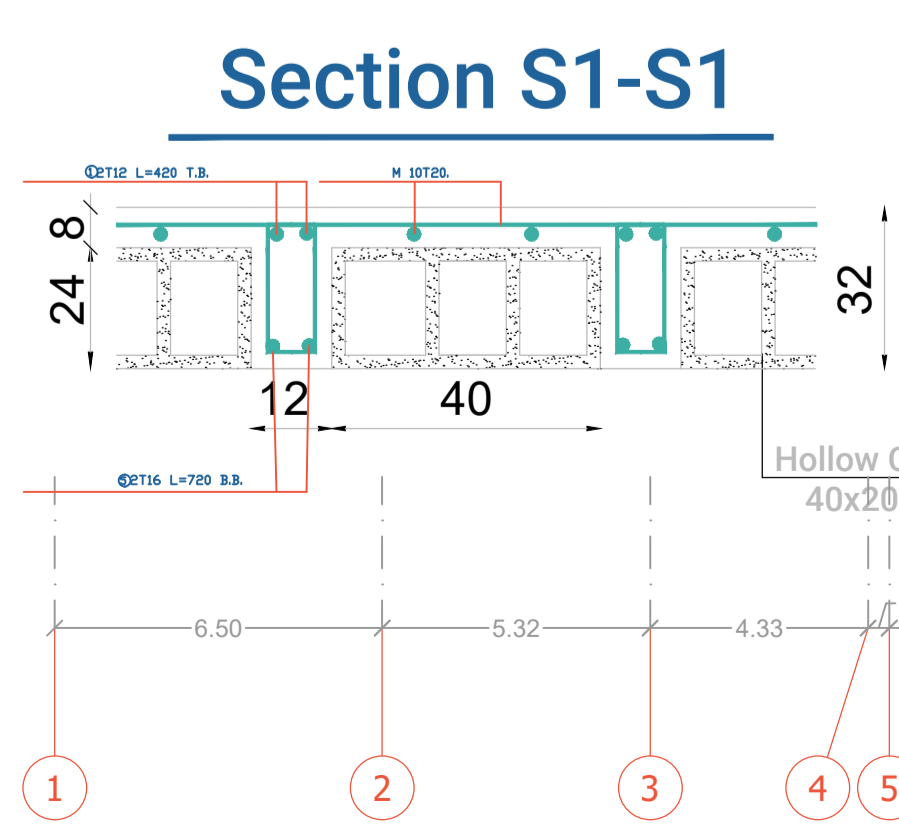
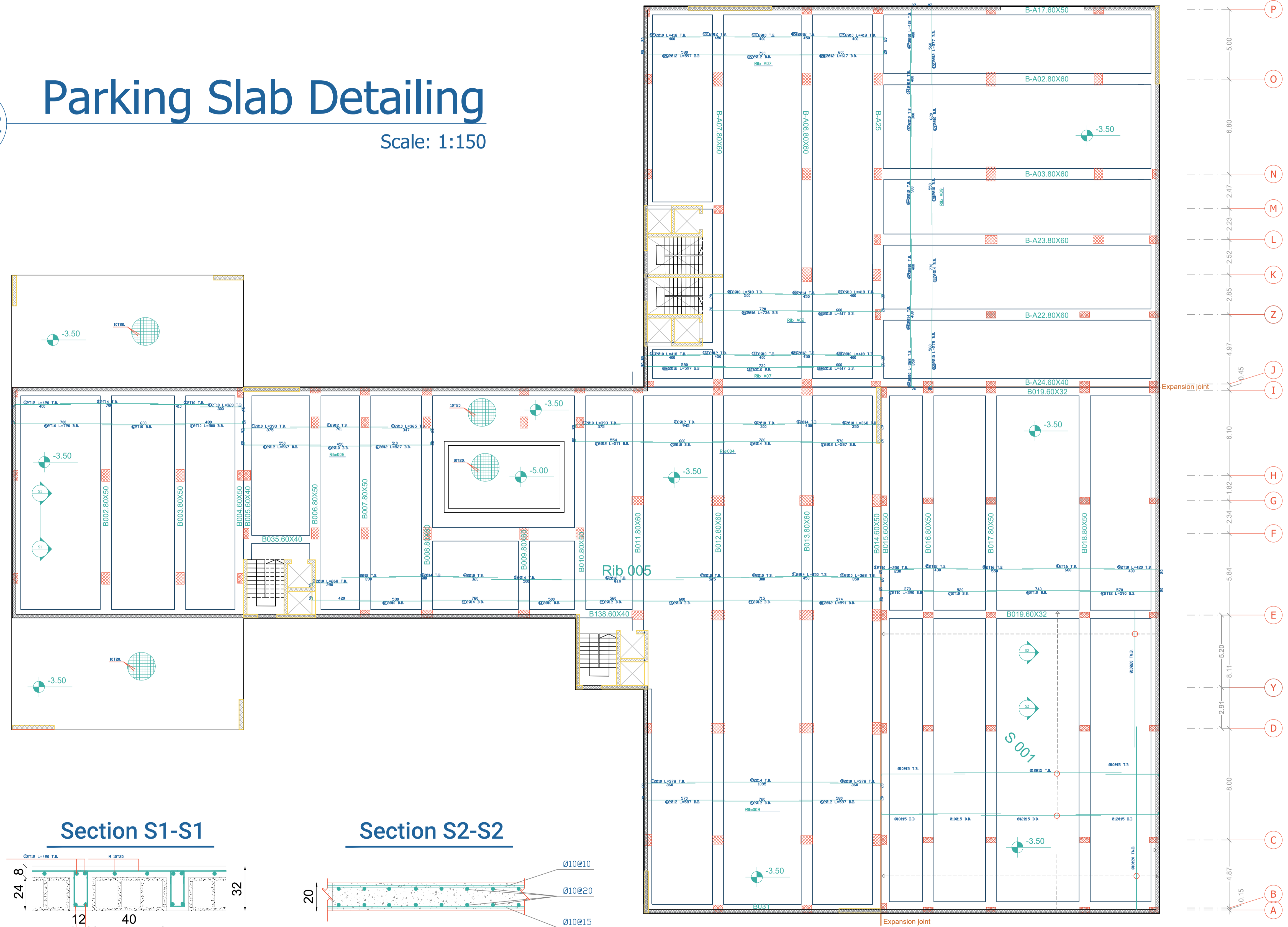
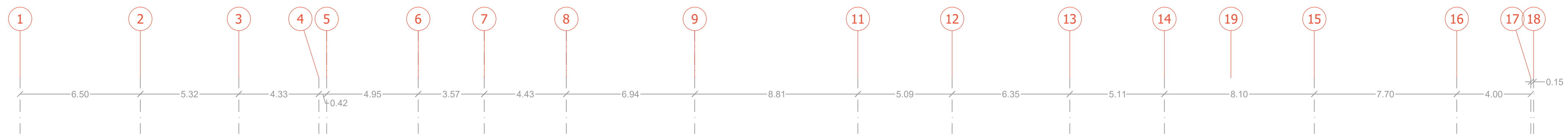
NO OF DRAW S 402

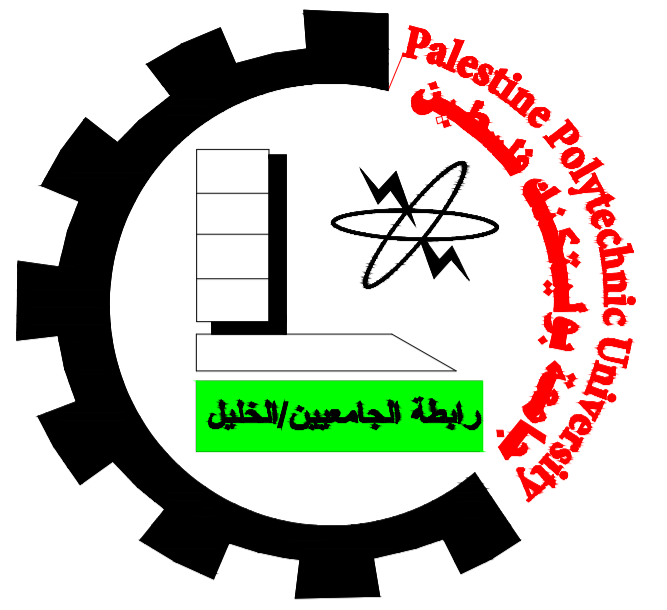
DATE 20/1/2024

S 402

Parking Slab Detailing

Scale: 1:150





Palestine Polytechnic University

Engineering College

Civil Engineering Department

Building Engineering

Al Ahd - Structural Design

Graduation Project



TITLE

Basement Slab

SUPERVISOR

Eng. Inas Shweki

DONE BY

Ahmad Tamimi
Ismail Abu Dawod
Osama Qawasma

SCALE

1:150

NO OF DRAW

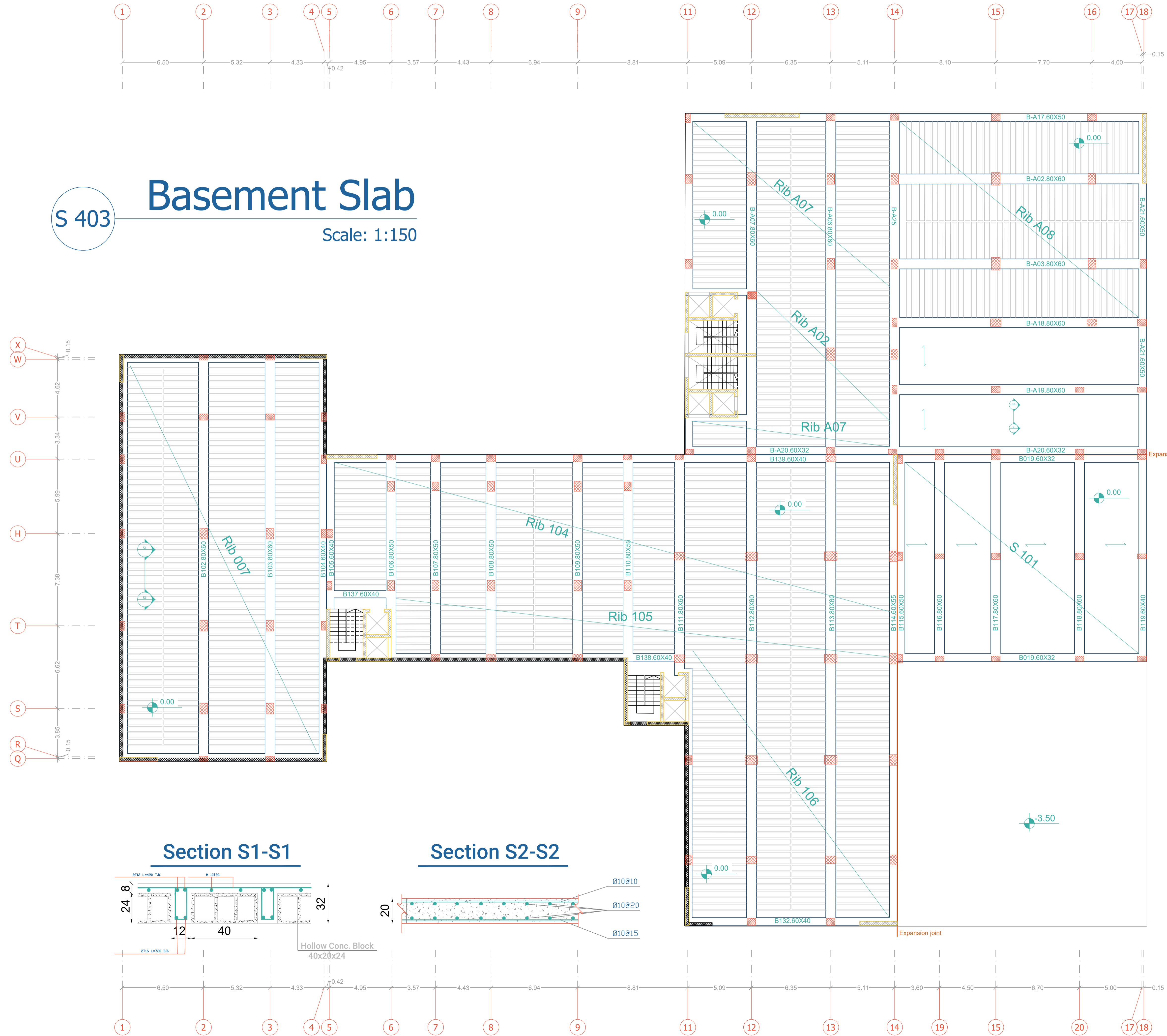
S 403

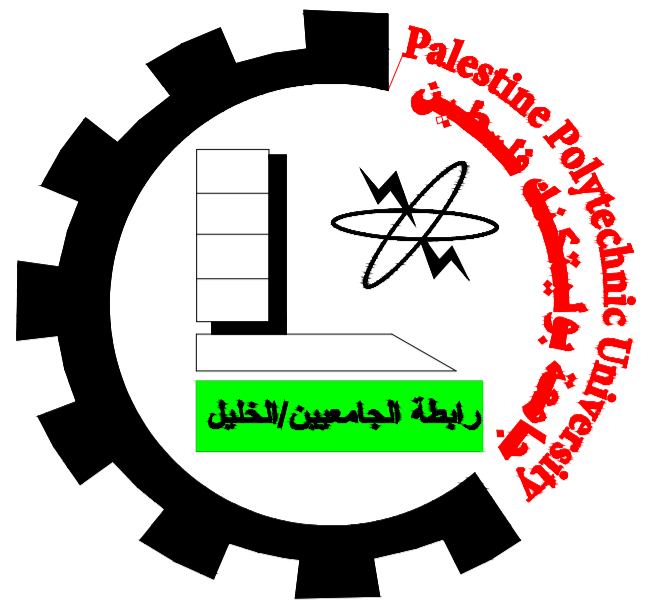
DATE

20/1/2024

S 403 Basement Slab

Scale: 1:150





Palestine Polytechnic University

Engineering College

Civil Engineering Department

Building Engineering

Al Ahd - Structural Design

Graduation Project



TITLE

Basement Slab

SUPERVISOR

Eng. Inas Shweki

DONE BY

Ahmad Tamimi
Ismail Abu Dawod
Osama Qawasma

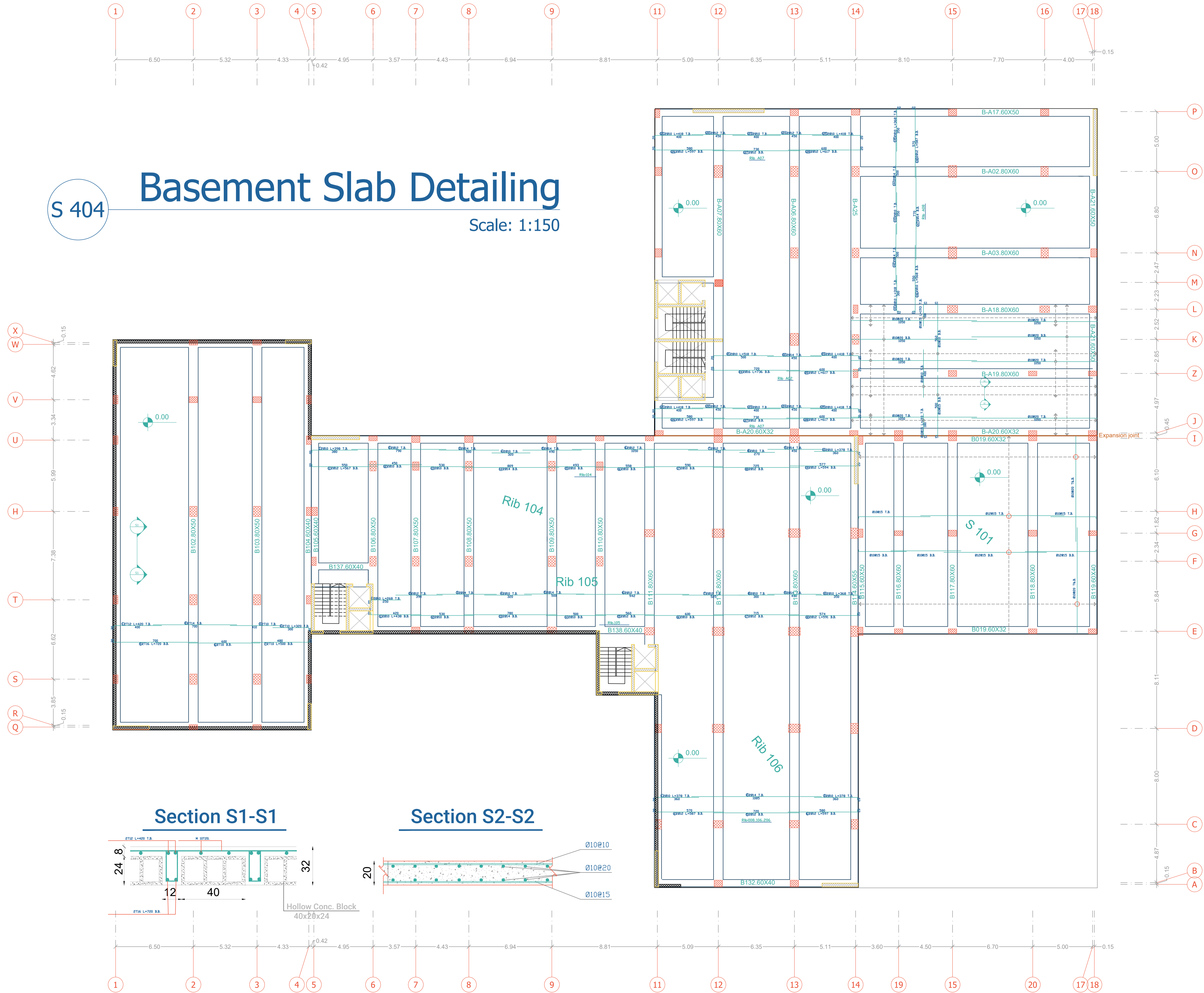
SCALE 1:150

NO OF DRAW S 404

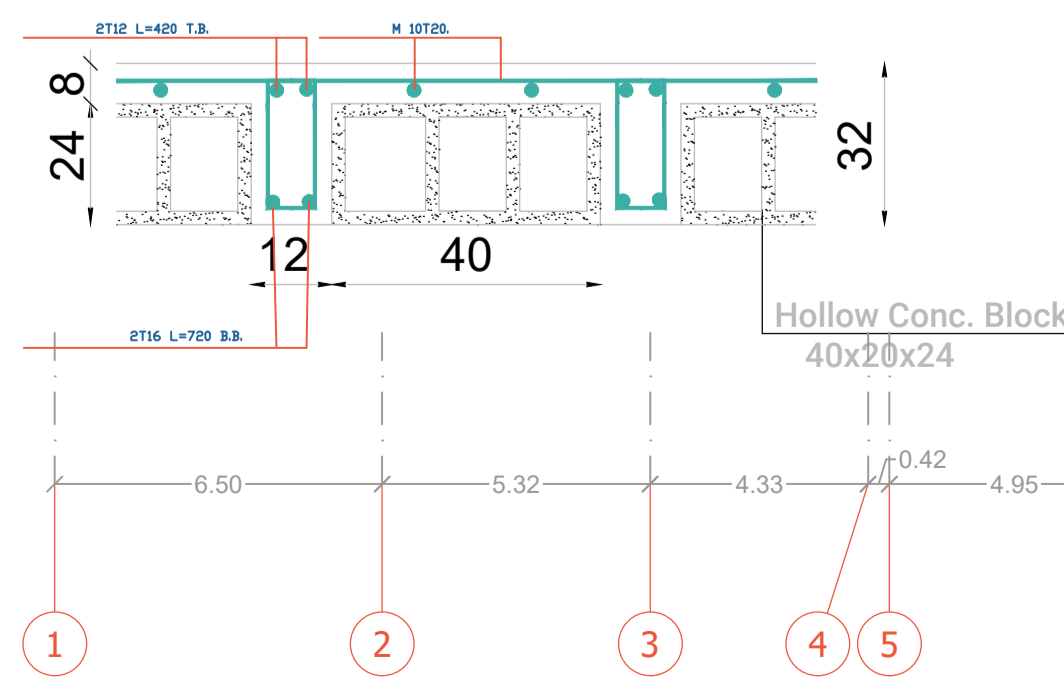
DATE 20/1/2024

S 404 Basement Slab Detailing

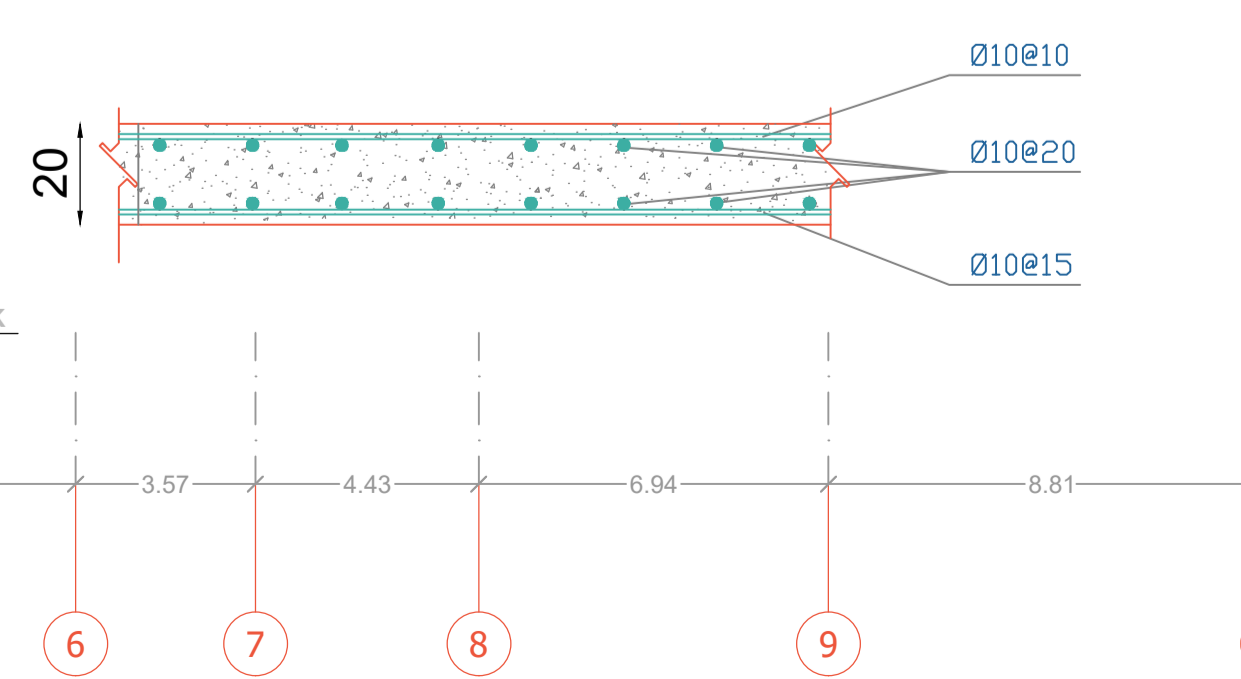
Scale: 1:150

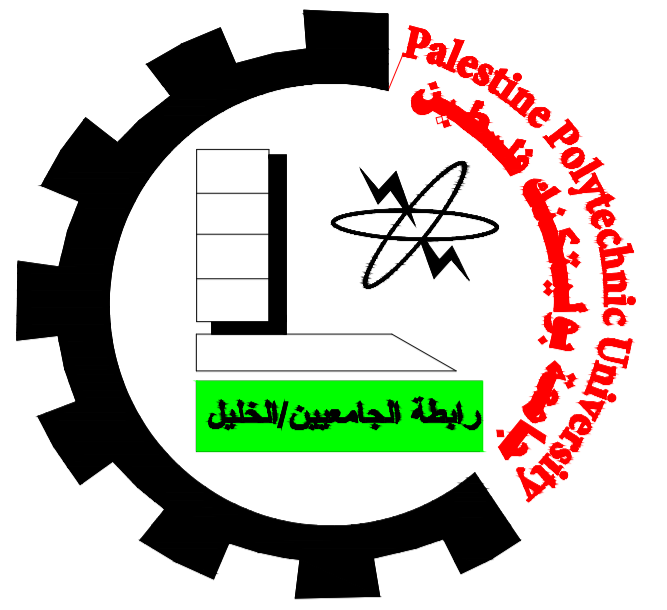


Section S1-S1



Section S2-S2





Palestine Polytechnic University

Engineering College

Civil Engineering Department

Building Engineering

Al Ahd - Structural Design

Graduation Project



TITLE

Ground Floor Slab

SUPERVISOR

Eng. Inas Shweki

DONE BY

Ahmad Tamimi
Ismail Abu Dawod
Osama Qawasma

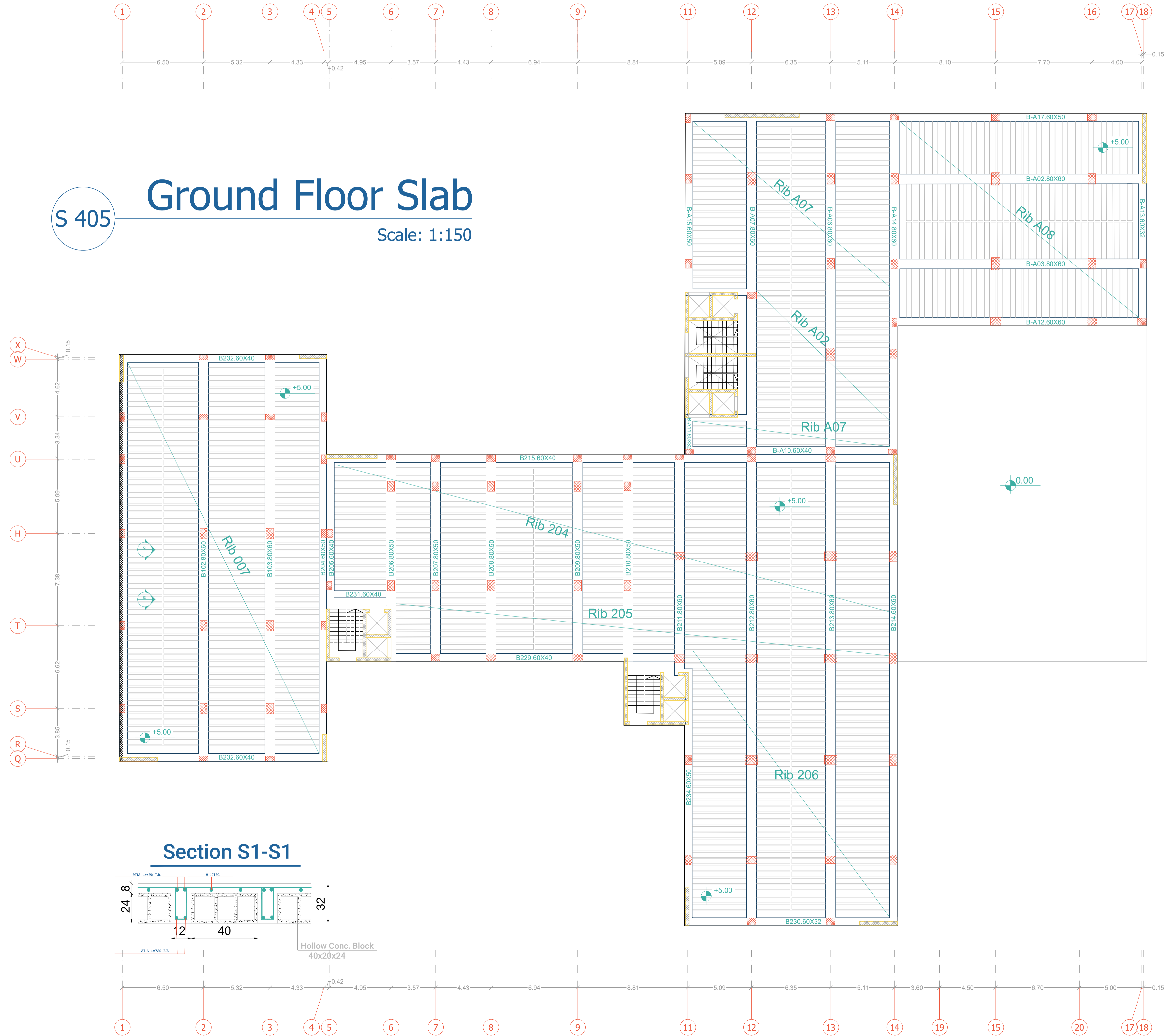
SCALE 1:150

NO OF DRAW S 405

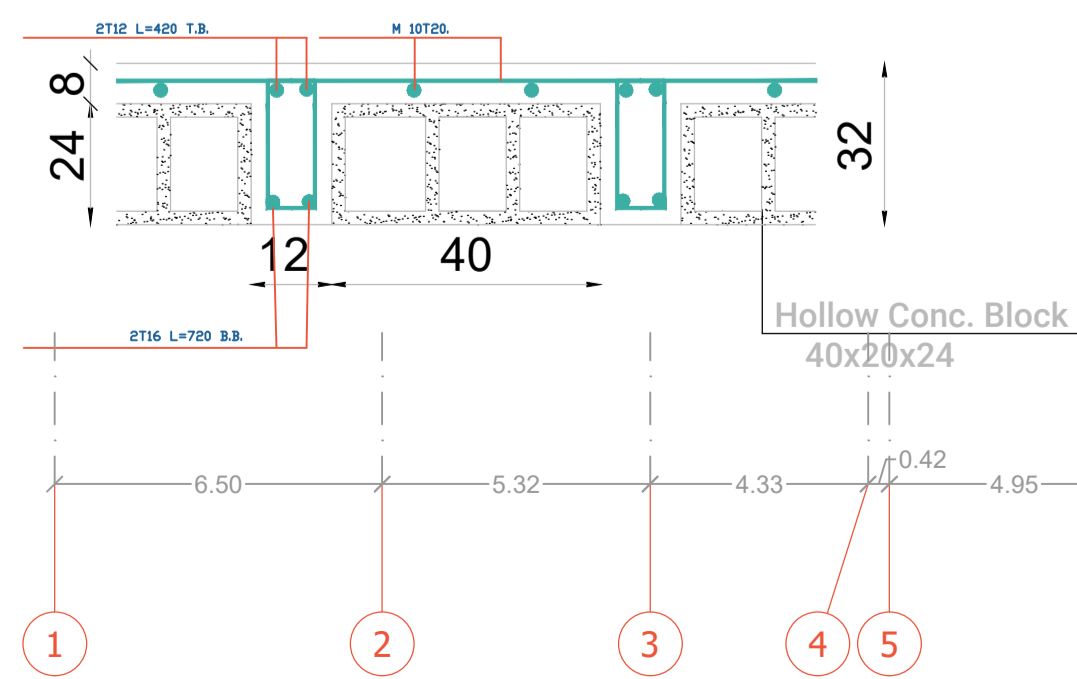
DATE 20/1/2024

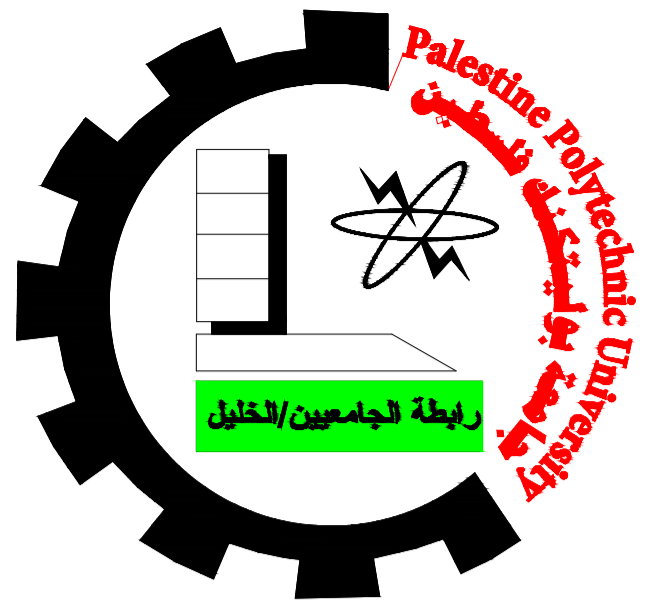
S 405 Ground Floor Slab

Scale: 1:150



Section S1-S1





Palestine Polytechnic University

Engineering College

Civil Engineering Department

Building Engineering

Al Ahd - Structural Design

Graduation Project



TITLE

Ground Floor Slab

SUPERVISOR

Eng. Inas Shweki

DONE BY

Ahmad Tamimi
Ismail Abu Dawod
Osama Qawasma

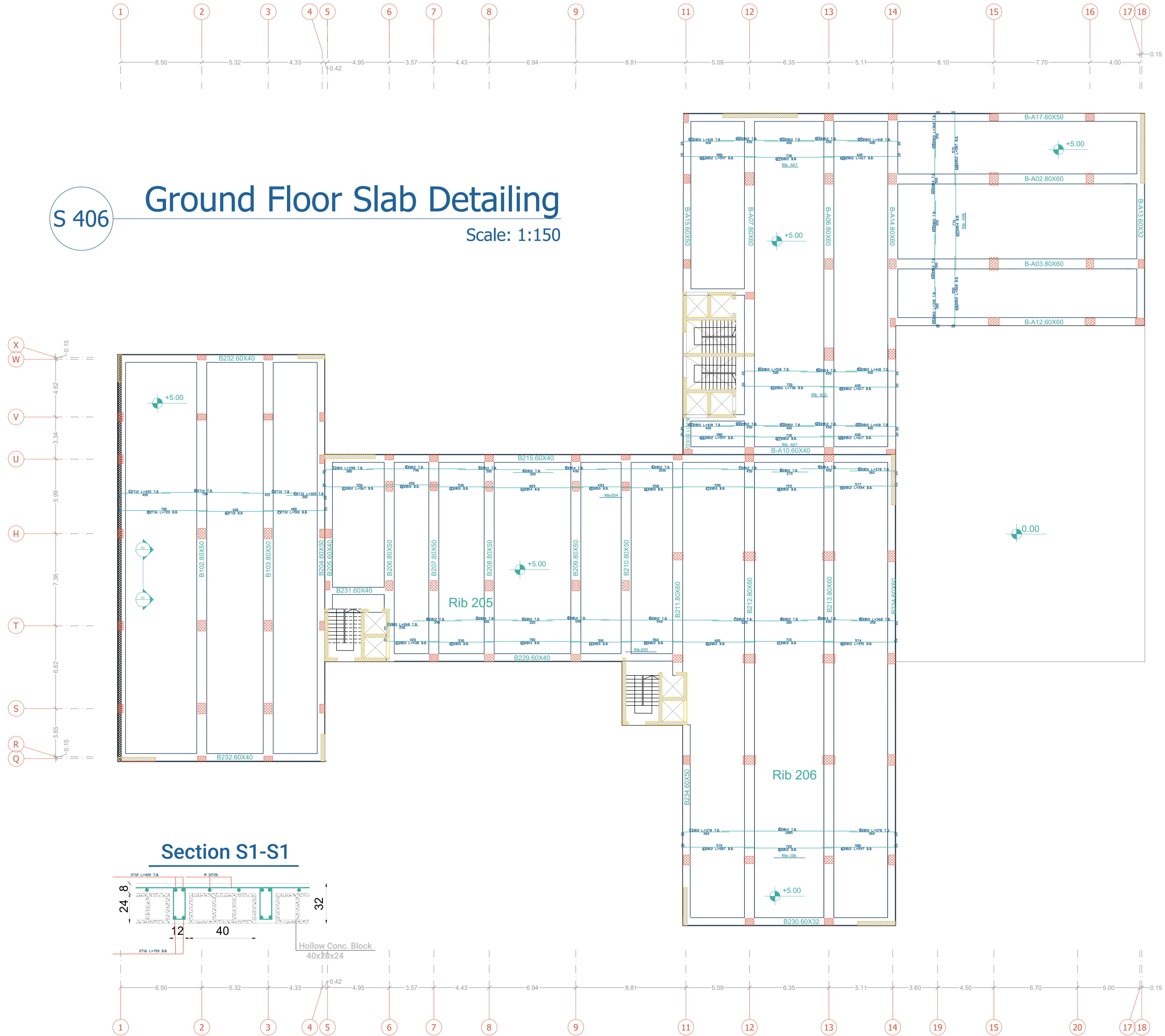
SCALE 1:150

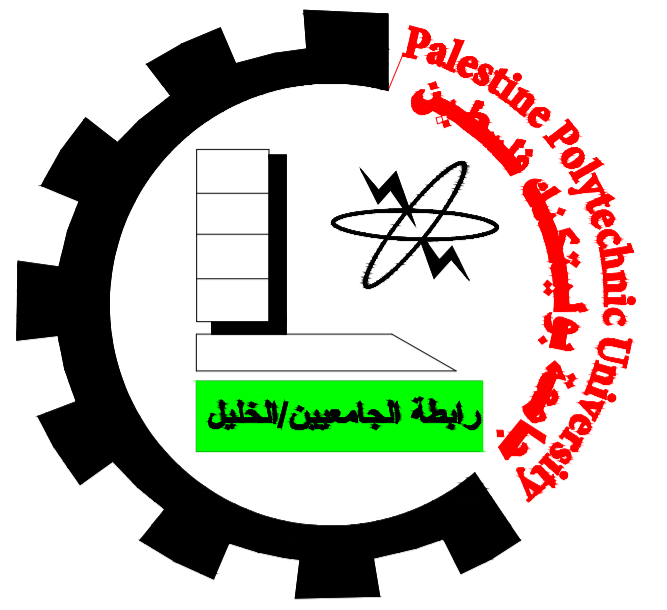
NO OF DRAW S 406

DATE 20/1/2024

S 406 Ground Floor Slab Detailing

Scale: 1:150





Palestine Polytechnic University

Engineering College

Civil Engineering Department

Building Engineering

Al Ahd - Structural Design

Graduation Project



TITLE

Service Floor Slab

SUPERVISOR

Eng. Inas Shweki

DONE BY

Ahmad Tamimi
Ismail Abu Dawod
Osama Qawasma

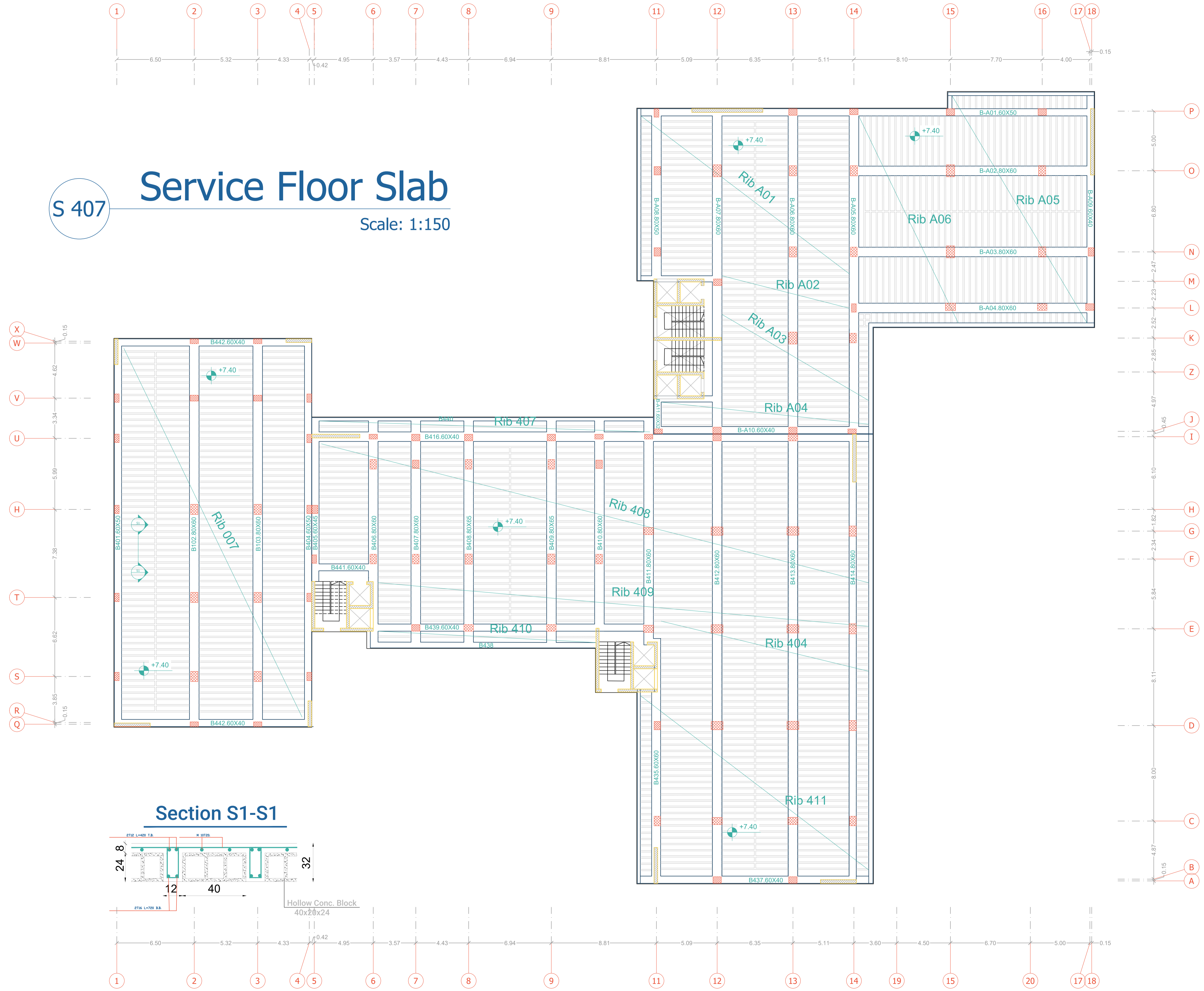
SCALE 1:150

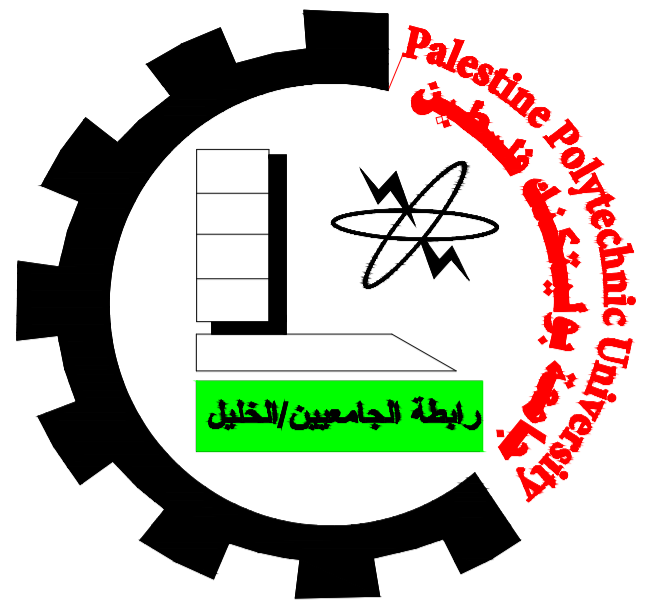
NO OF DRAW S 407

DATE 20/1/2024

S 407 Service Floor Slab

Scale: 1:150





Palestine Polytechnic University

Engineering College

Civil Engineering Department

Building Engineering

Al Ahd - Structural Design

Graduation Project



TITLE

Service Floor Slab

SUPERVISOR

Eng. Inas Shweki

DONE BY

Ahmad Tamimi
Ismail Abu Dawod
Osama Qawasma

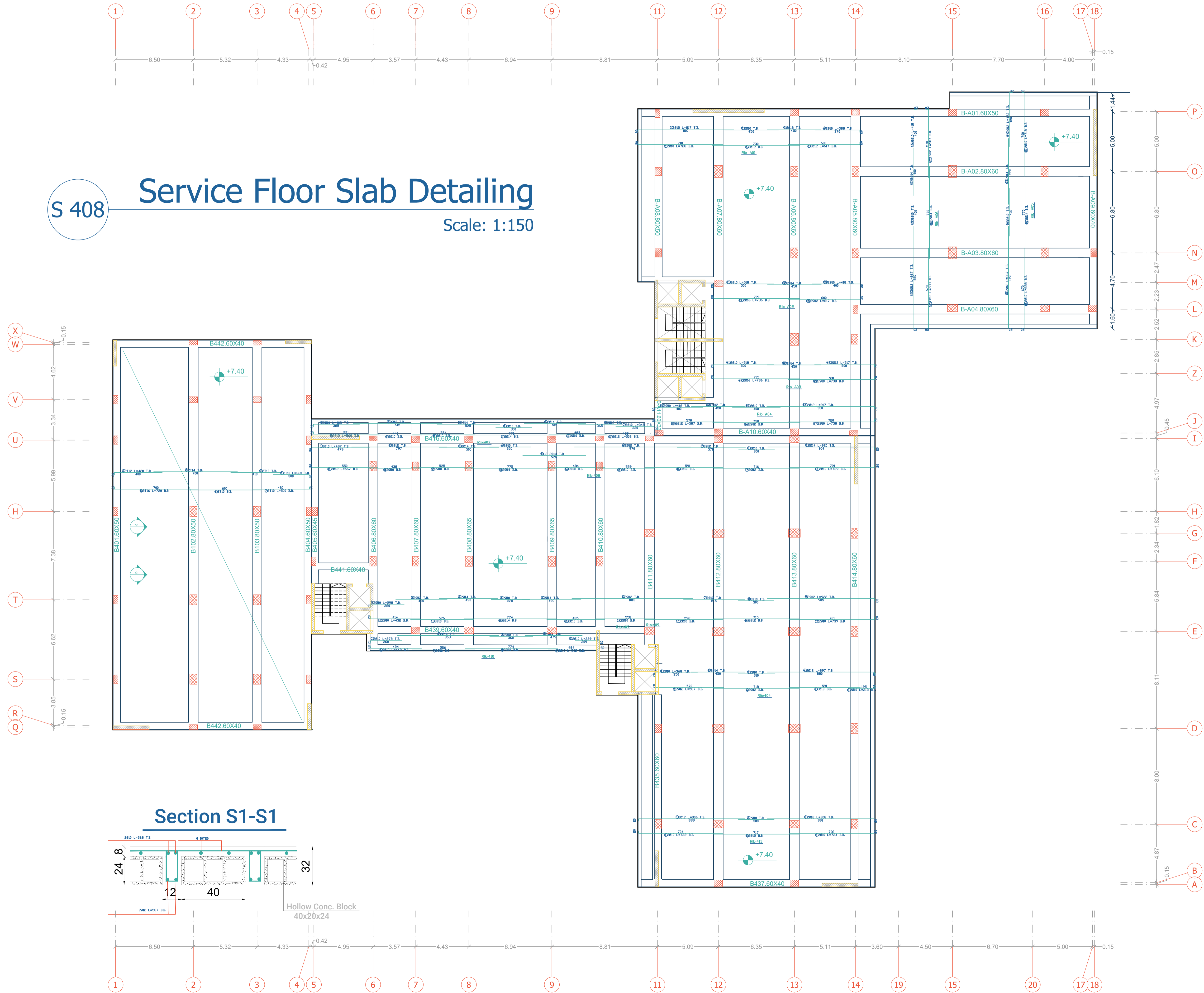
SCALE 1:150

NO OF DRAW S 408

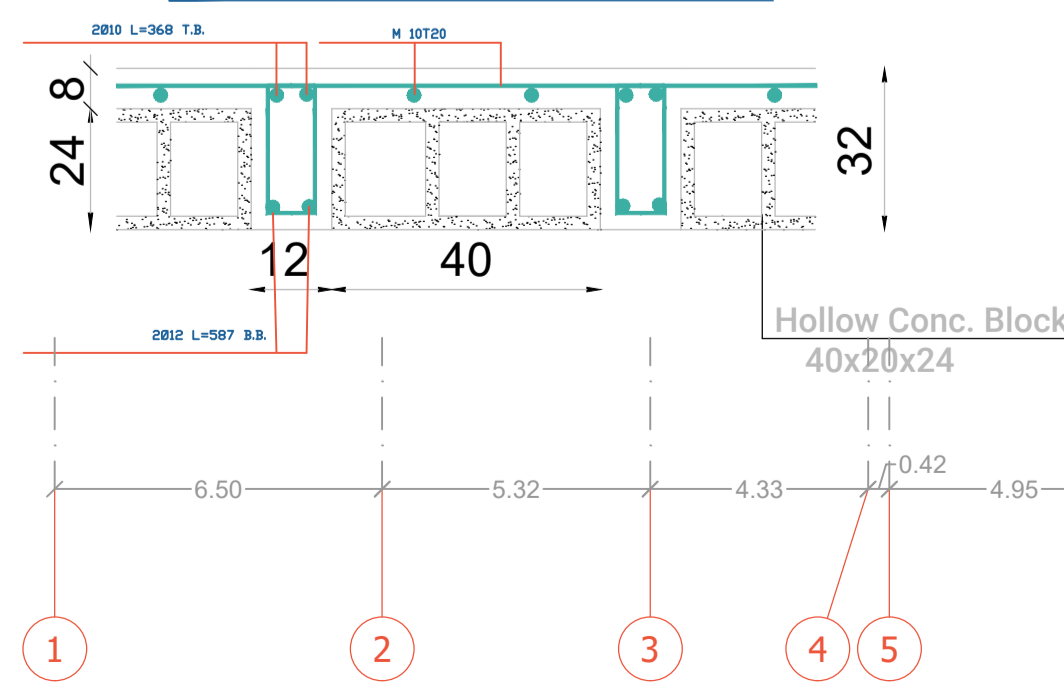
DATE 20/1/2024

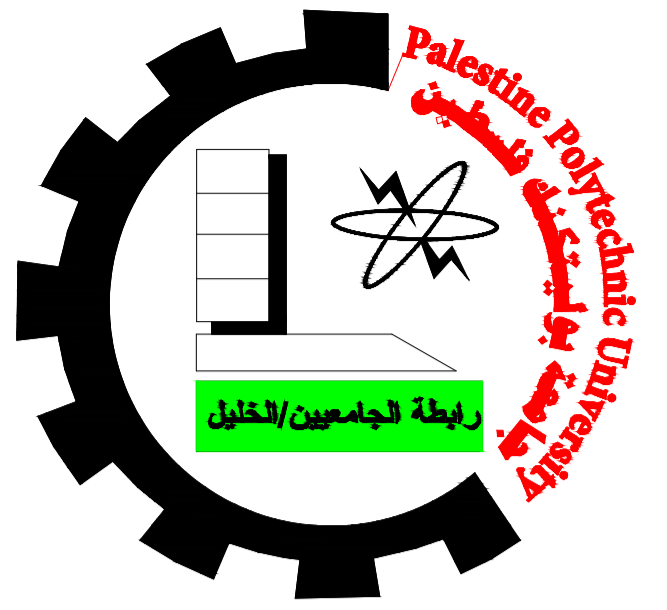
S 408 Service Floor Slab Detailing

Scale: 1:150



Section S1-S1





Palestine Polytechnic University

Engineering College

Civil Engineering Department

Building Engineering

Al Ahd - Structural Design

Graduation Project



TITLE

First Floor Slab

SUPERVISOR

Eng. Inas Shweki

DONE BY

Ahmad Tamimi
Ismail Abu Dawod
Osama Qawasma

SCALE 1:150

NO OF DRAW S 409

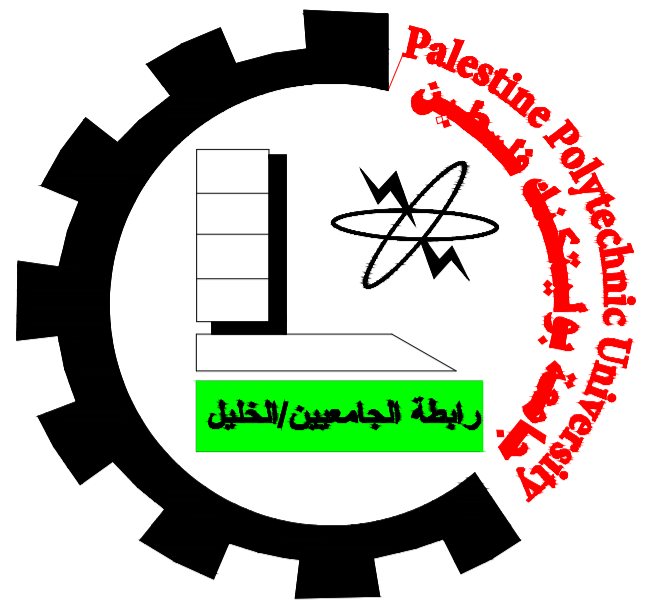
DATE 20/1/2024

First Floor Slab

S 409

Scale: 1:150





Palestine Polytechnic University

Engineering College

Civil Engineering Department

Building Engineering

Al Ahd - Structural Design

Graduation Project



TITLE

First Floor Slab

SUPERVISOR

Eng. Inas Shweki

DONE BY

Ahmad Tamimi
Ismail Abu Dawod
Osama Qawasma

SCALE 1:150

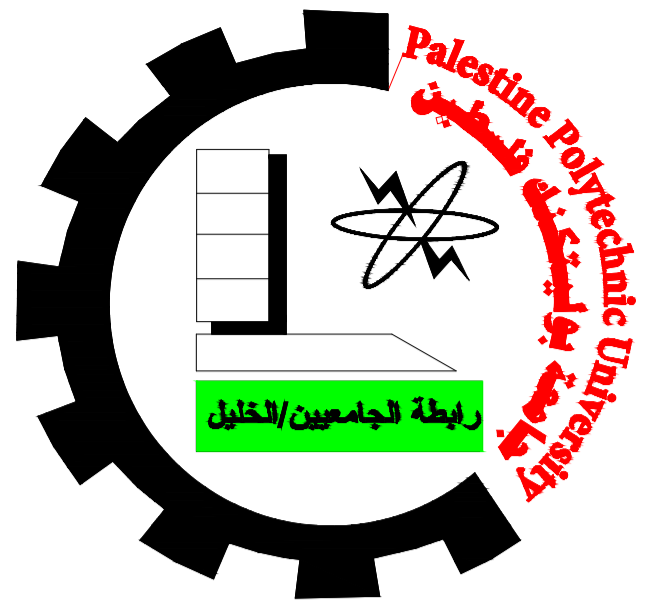
NO OF DRAW S 410

DATE 20/1/2024

S 410 First Floor Slab Detailing

Scale: 1:150





Palestine Polytechnic University

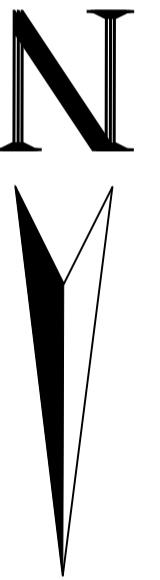
Engineering College

Civil Engineering Department

Building Engineering

Al Ahd - Structural Design

Graduation Project



TITLE

Second Floor Slab

SUPERVISOR

Eng. Inas Shweki

DONE BY

Ahmad Tamimi
Ismail Abu Dawod
Osama Qawasma

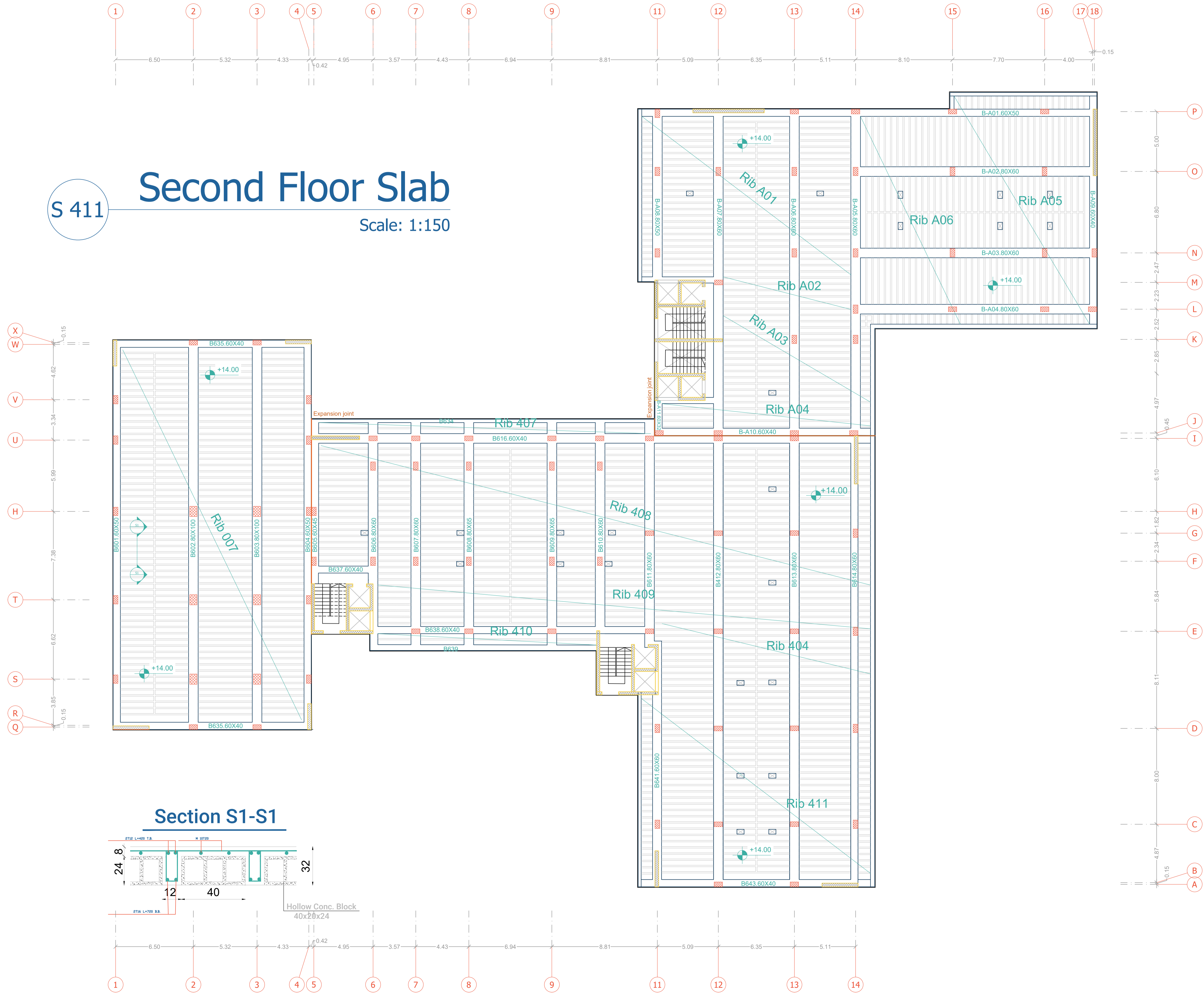
SCALE 1:150

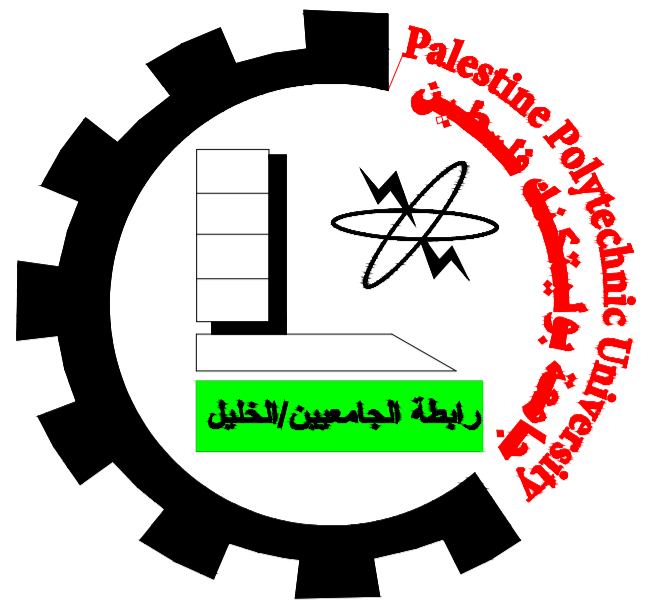
NO OF DRAW S 411

DATE 20/1/2024

S 411 Second Floor Slab

Scale: 1:150





Palestine Polytechnic University

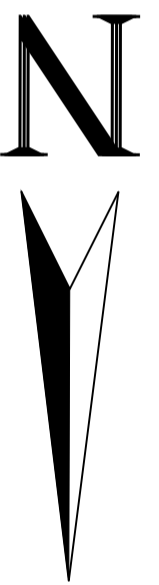
Engineering College

Civil Engineering Department

Building Engineering

Al Ahd - Structural Design

Graduation Project



TITLE

Second Floor Slab

SUPERVISOR

Eng. Inas Shweki

DONE BY

Ahmad Tamimi
Ismail Abu Dawod
Osama Qawasma

SCALE 1:150

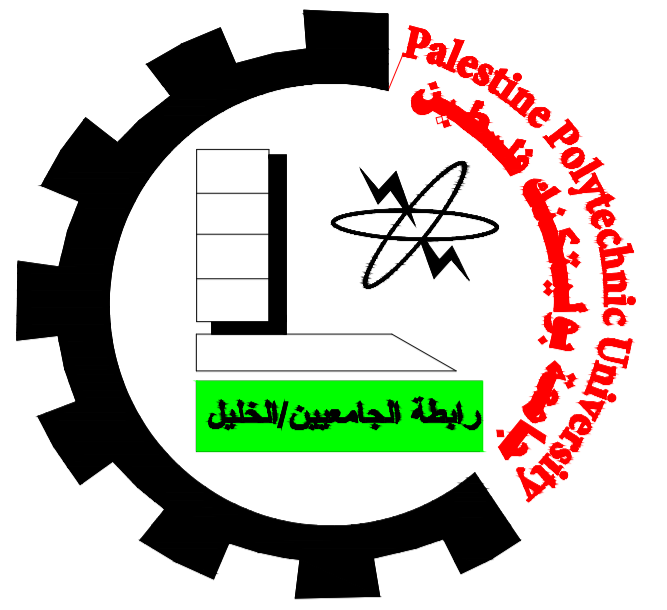
NO OF DRAW S 412

DATE 20/1/2024

S 412 Second Floor Slab Detailing

Scale: 1:150





Palestine Polytechnic University

Engineering College

Civil Engineering Department

Building Engineering

Al Ahd - Structural Design

Graduation Project



TITLE

Third Floor Slab

SUPERVISOR

Eng. Inas Shweki

DONE BY

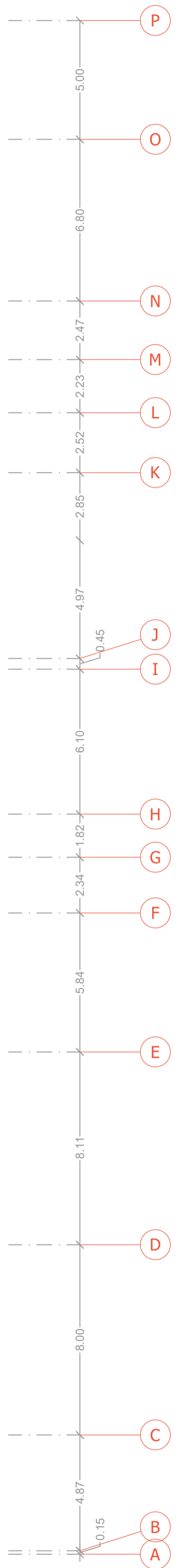
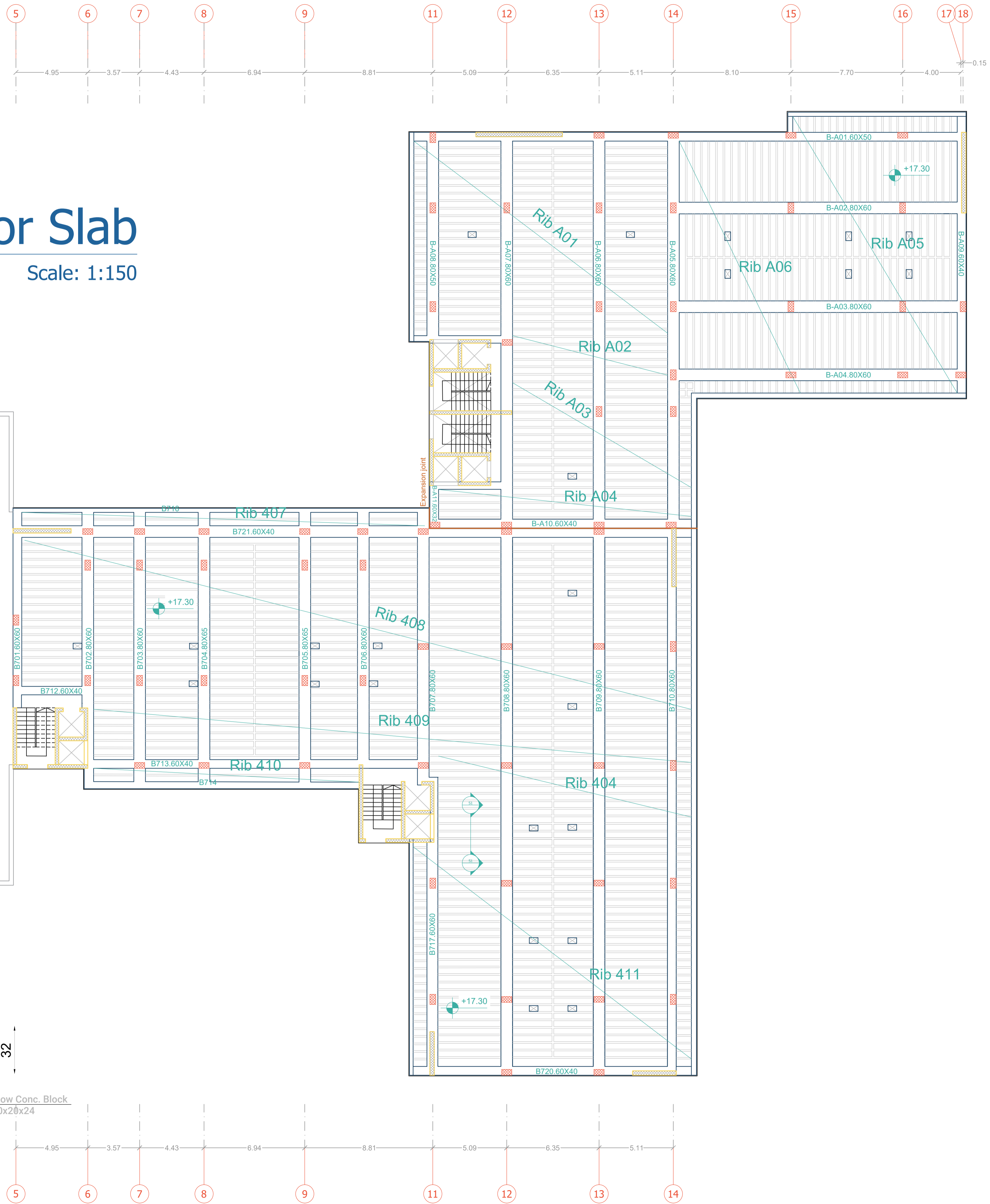
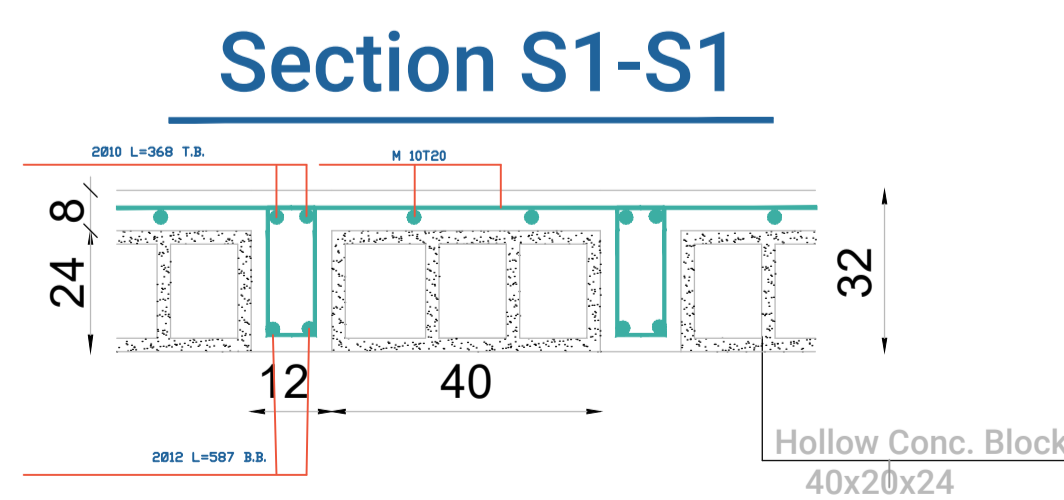
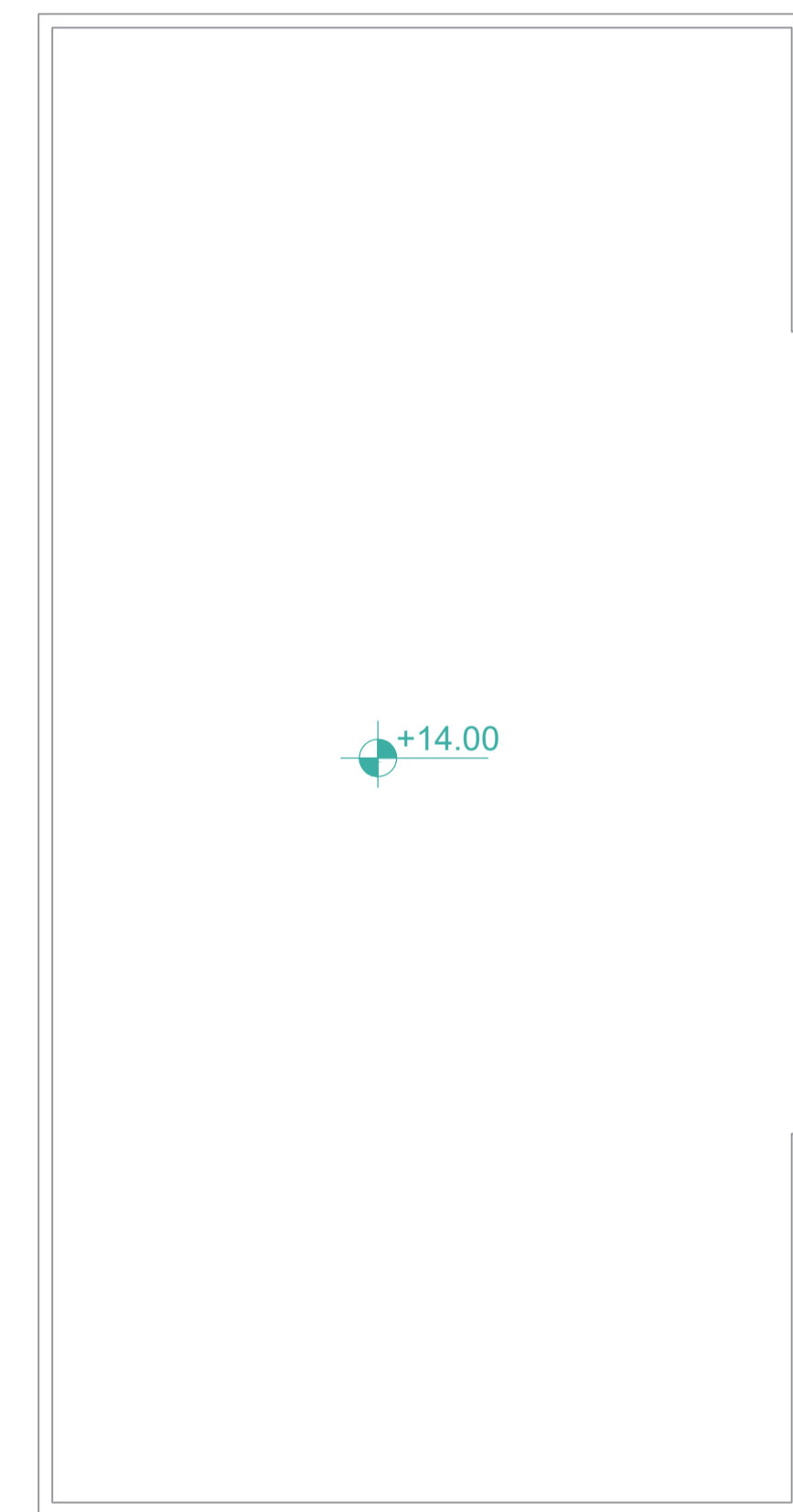
Ahmad Tamimi
Ismail Abu Dawod
Osama Qawasma

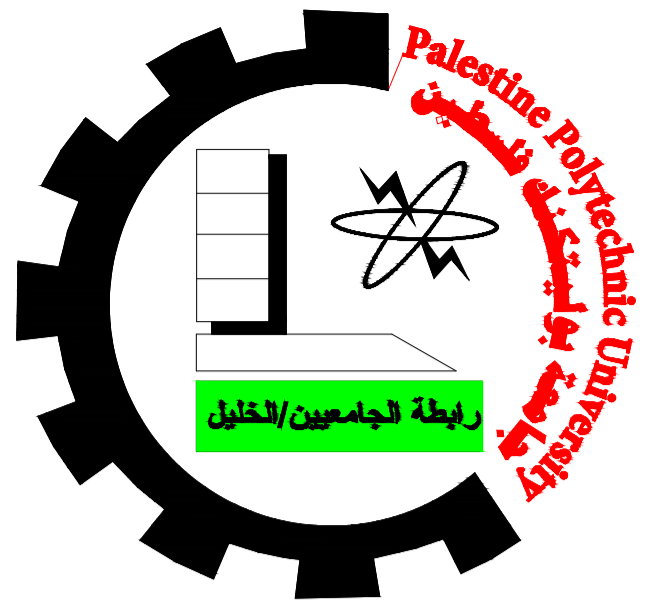
SCALE 1:150

NO OF DRAW S 413

DATE 20/1/2024

S 413 **Third Floor Slab**
Scale: 1:150





Palestine Polytechnic University

Engineering College

Civil Engineering Department

Building Engineering

Al Ahd - Structural Design

Graduation Project



TITLE

Third Floor Slab

SUPERVISOR

Eng. Inas Shweki

DONE BY

Ahmad Tamimi
Ismail Abu Dawod
Osama Qawasma

SCALE 1:150

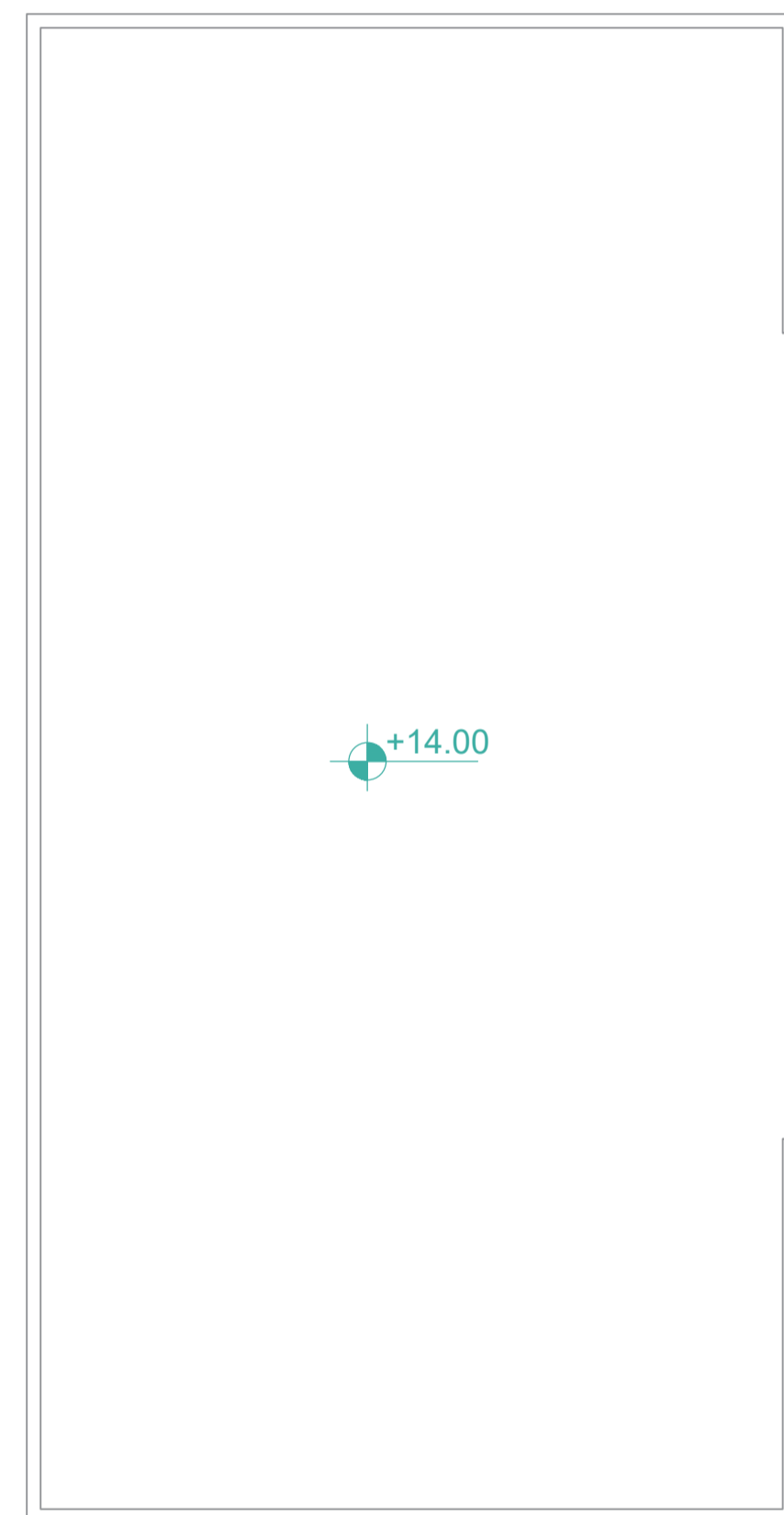
NO OF DRAW S 414

DATE 20/1/2024

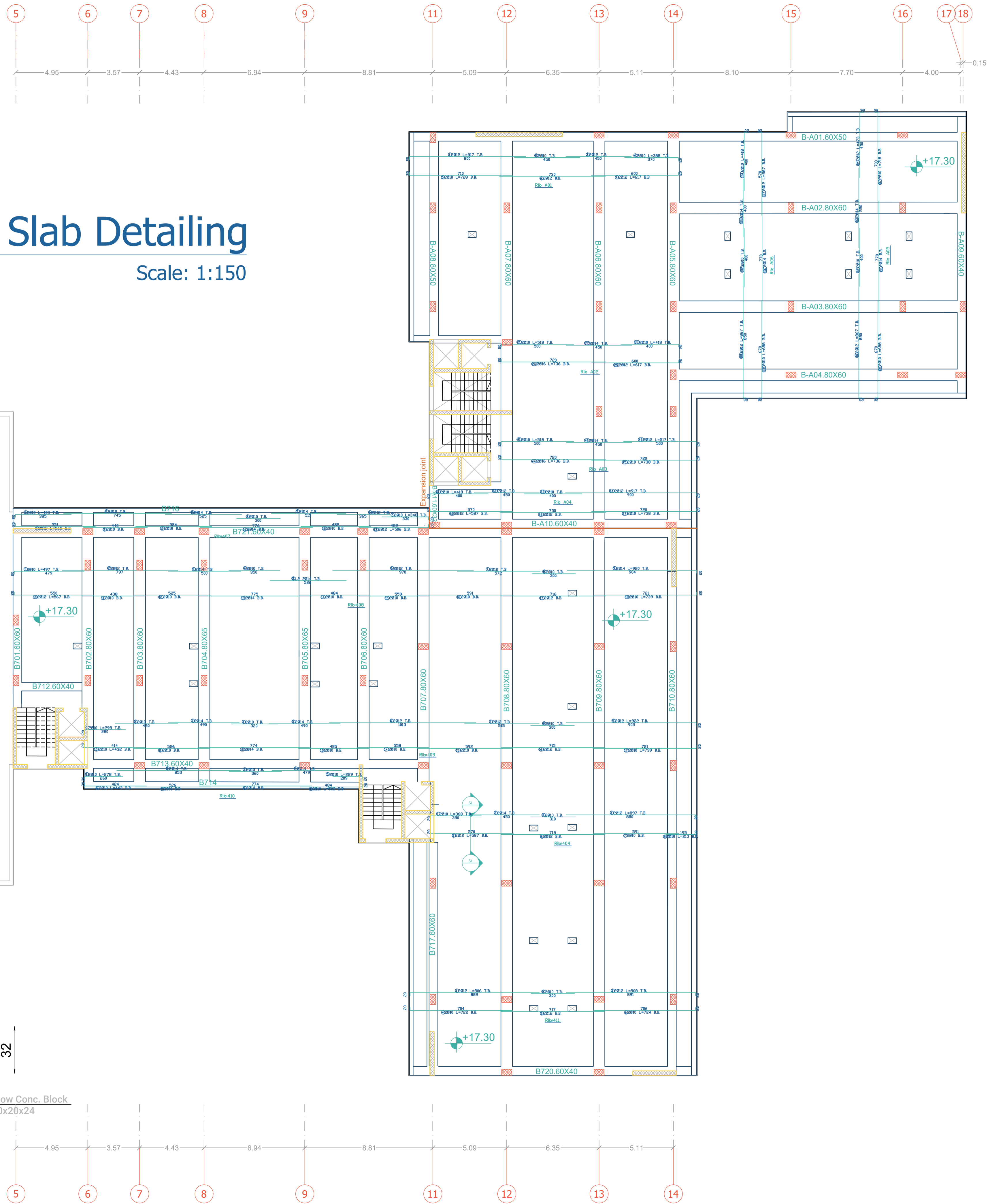
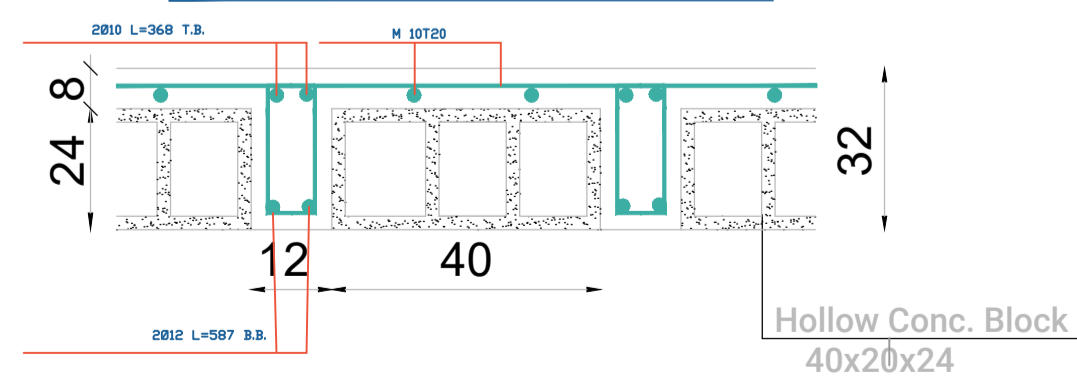
S 414

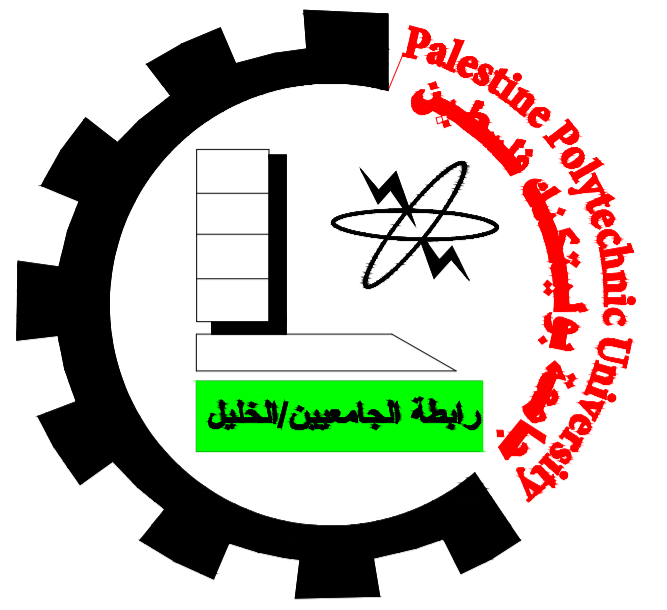
Third Floor Slab Detailing

Scale: 1:150



Section S1-S1





Palestine Polytechnic University

Engineering College

Civil Engineering Department

Building Engineering

Al Ahd - Structural Design

Graduation Project



TITLE

Fourth Floor Slab

SUPERVISOR

Eng. Inas Shweki

DONE BY

Ahmad Tamimi
Ismail Abu Dawod
Osama Qawasma

SCALE 1:150

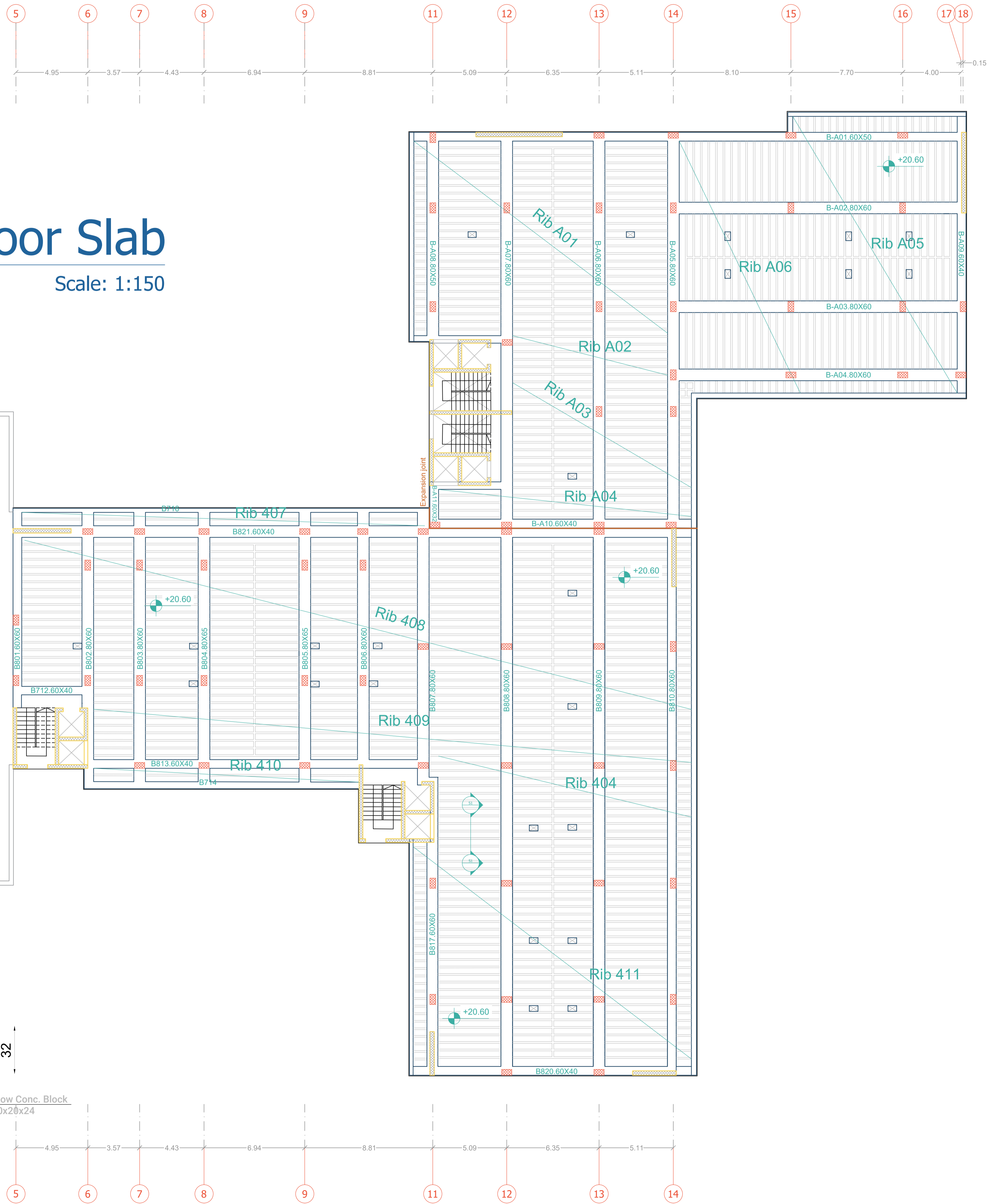
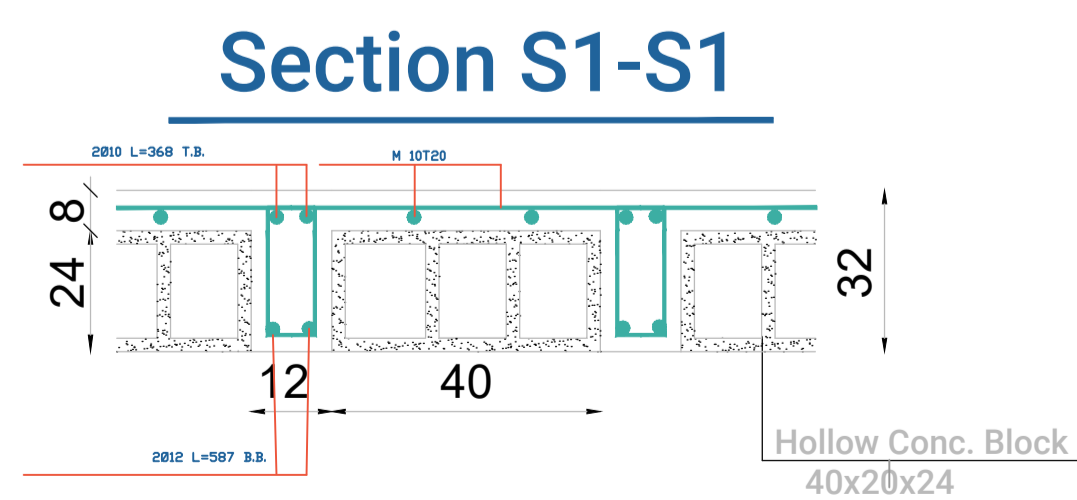
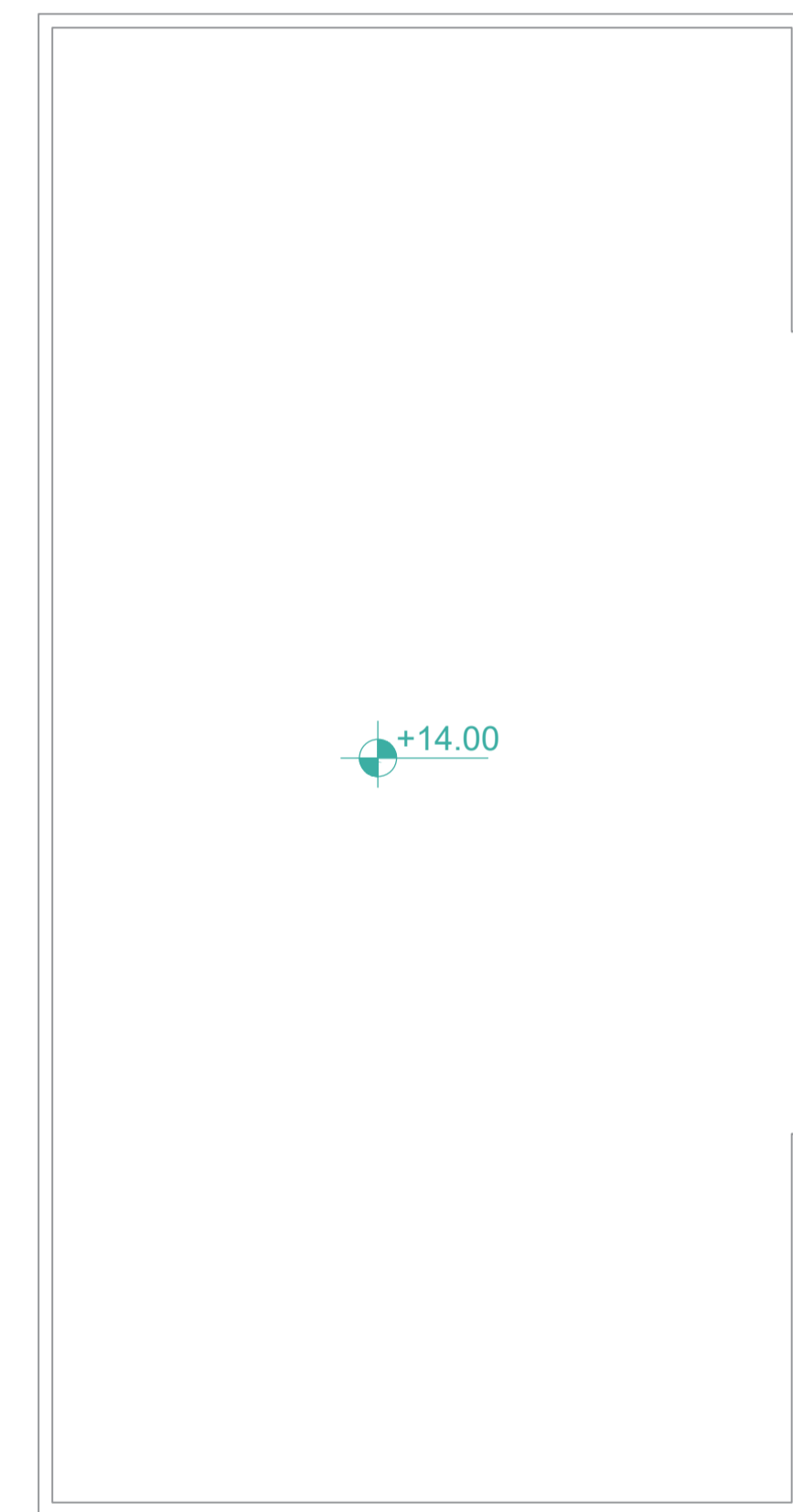
NO OF DRAW S 415

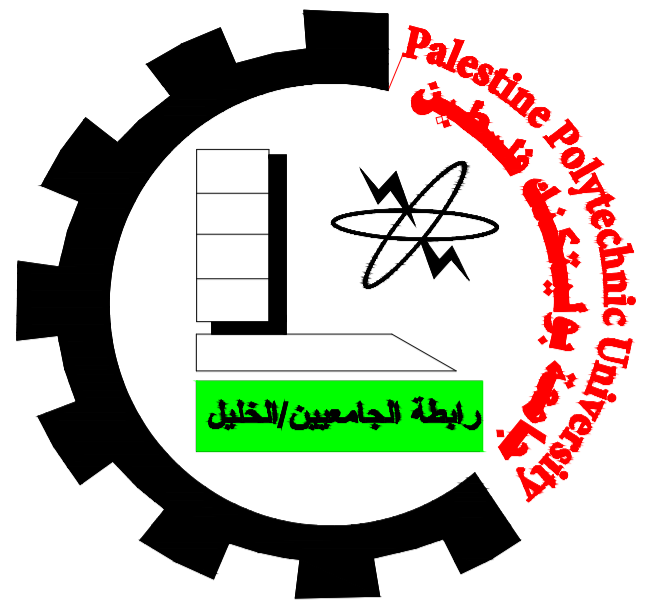
DATE 20/1/2024

S 415

Fourth Floor Slab

Scale: 1:150





Palestine Polytechnic University

Engineering College

Civil Engineering Department

Building Engineering

Al Ahd - Structural Design

Graduation Project



TITLE

Fourth Floor Slab

SUPERVISOR

Eng. Inas Shweki

DONE BY

Ahmad Tamimi
Ismail Abu Dawod
Osama Qawasma

SCALE 1:150

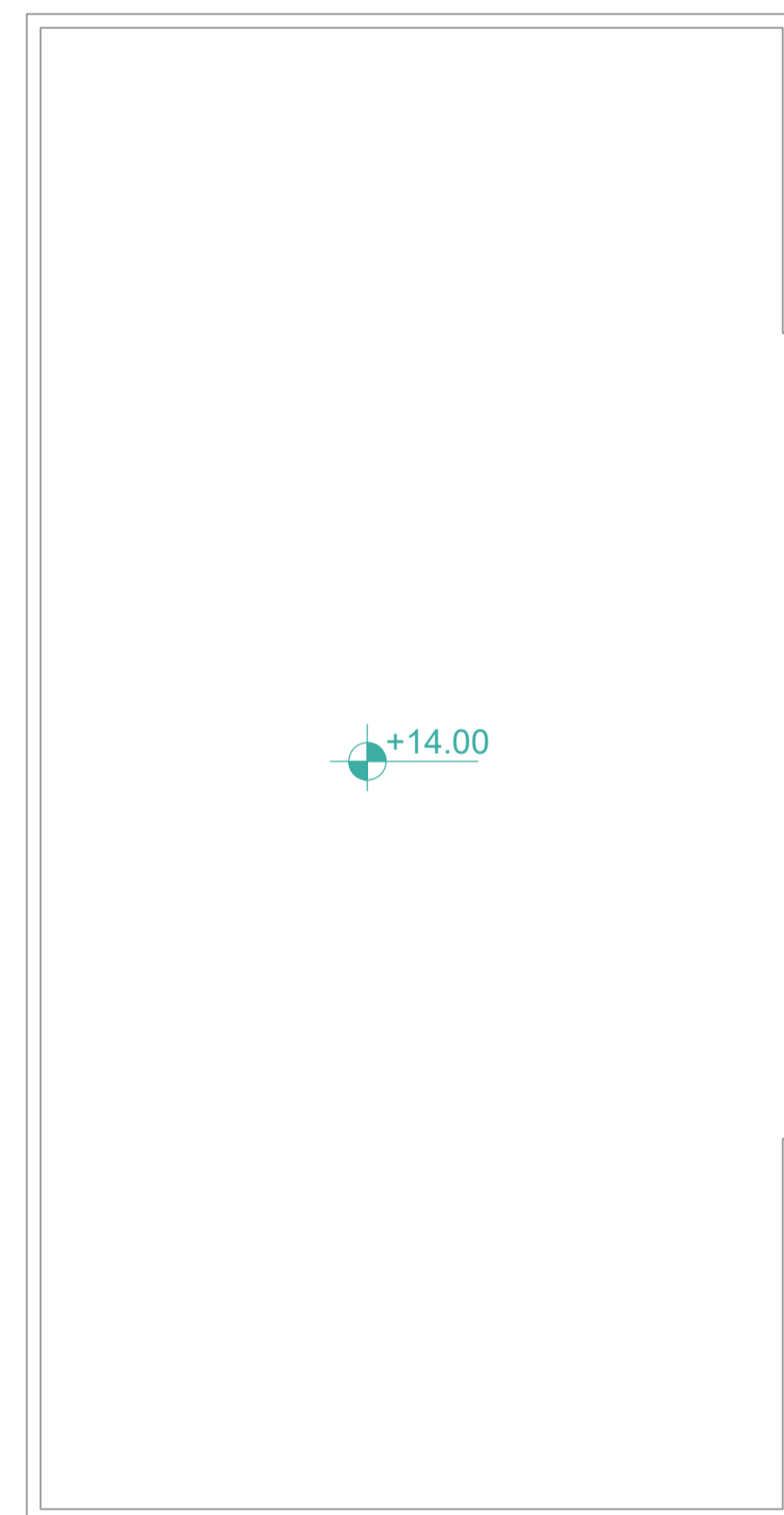
NO OF DRAW S 416

DATE 20/1/2024

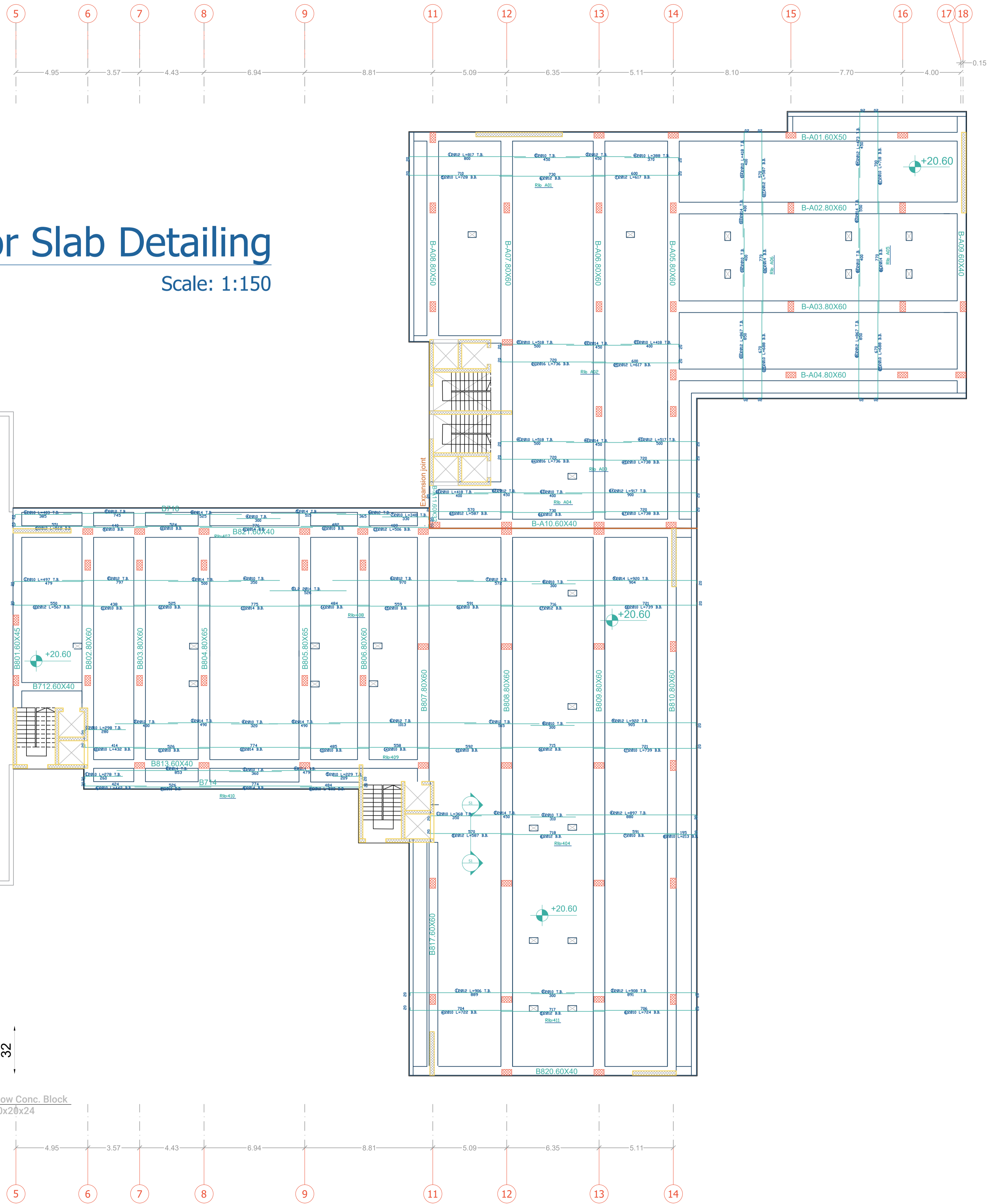
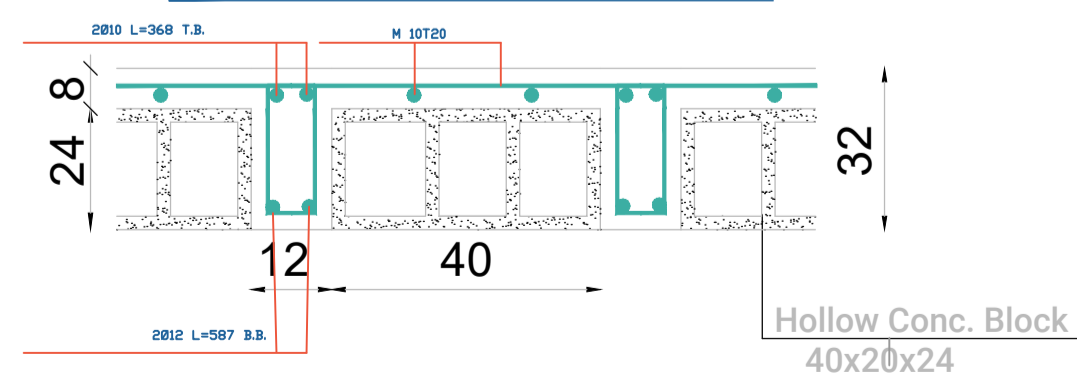
S 416

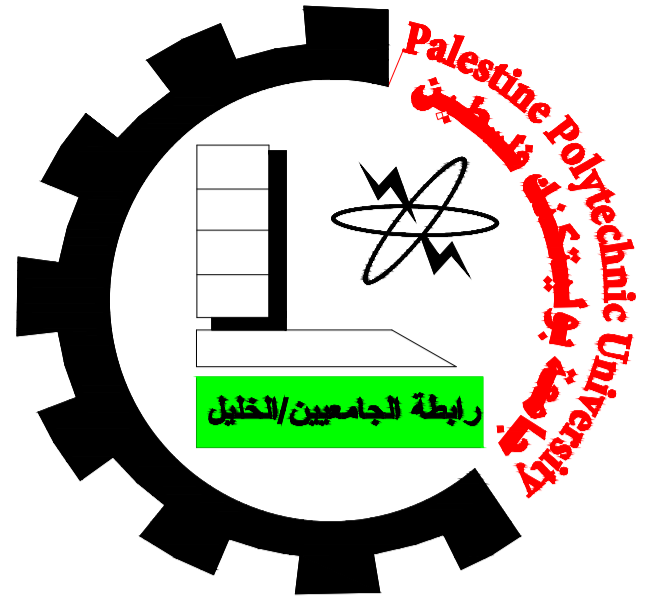
Fourth Floor Slab Detailing

Scale: 1:150



Section S1-S1





Palestine Polytechnic University

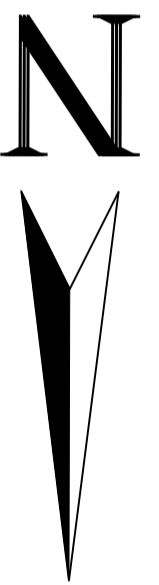
Engineering College

Civil Engineering Department

Building Engineering

Al Ahd - Structural Design

Graduation Project



TITLE

Stair Slab
Reinforcement

SUPERVISOR

Eng. Inas Shweki

DONE BY

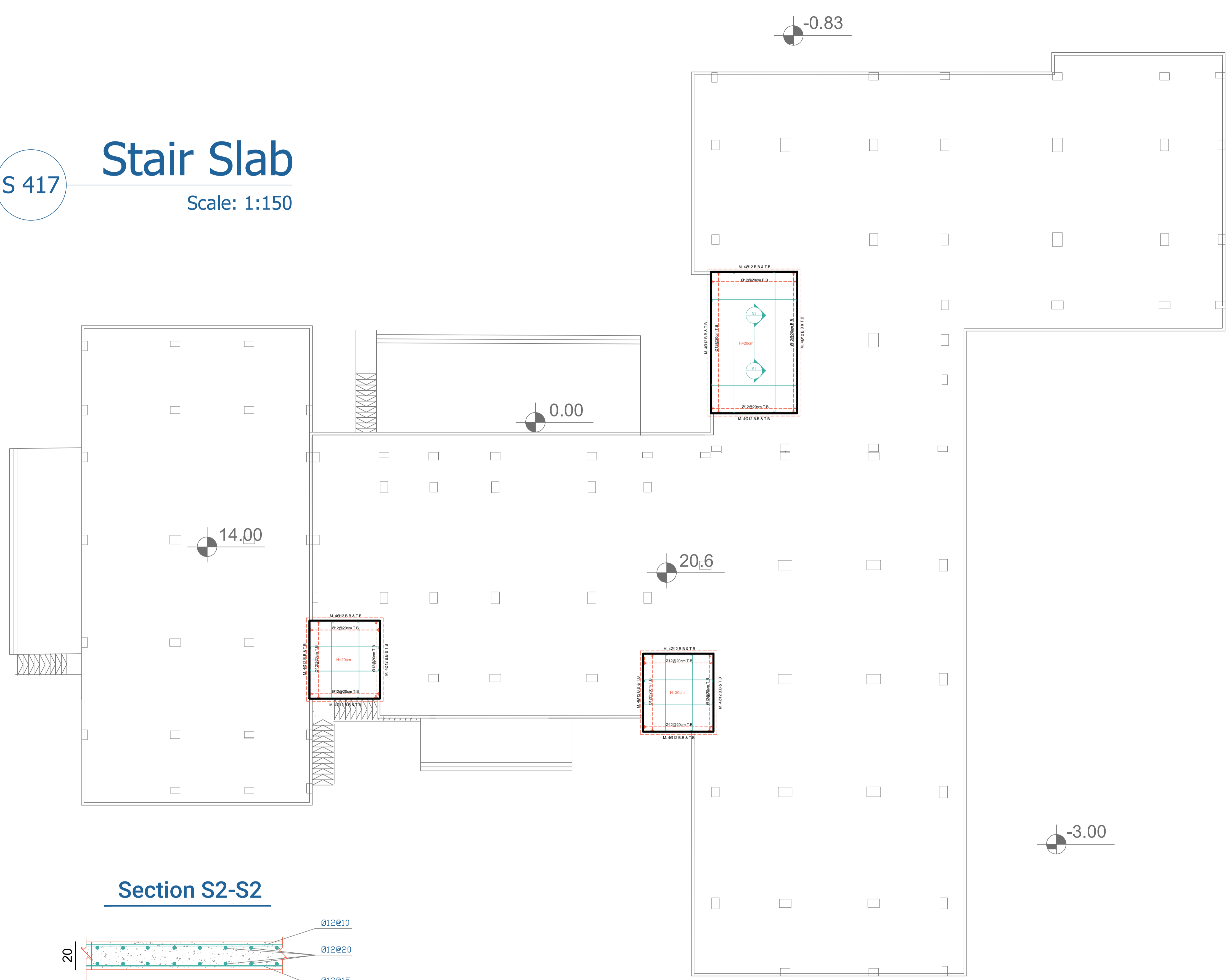
Ahmad Tamimi
Ismail Abu Dawod
Osama Qawasma

SCALE 1:150

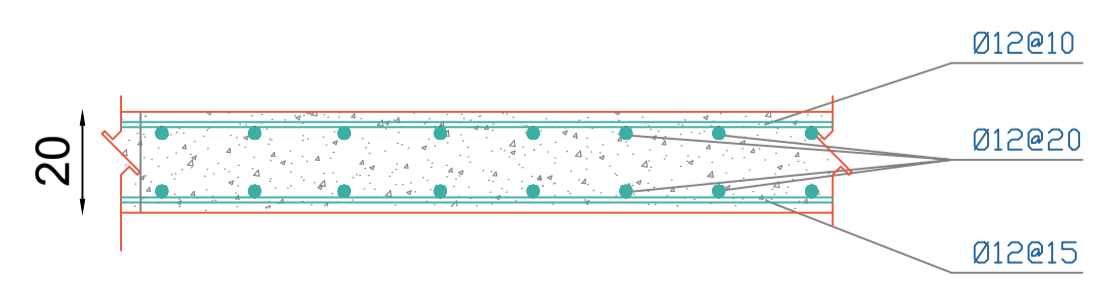
NO OF DRAW S 417

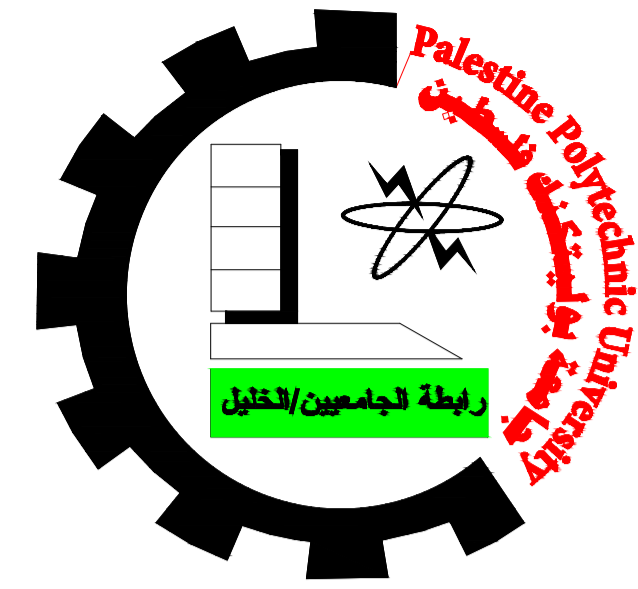
DATE 20/1/2024

S 417 **Stair Slab**
Scale: 1:150



Section S2-S2





Palestine Polytechnic University

Engineering College

Civil Engineering Department

Building Engineering

Al Ahd - Structural Design

Graduation Project

TITLE

BEAMS DETAILING

SUPERVISOR

Eng. Inas Shweki

DONE BY

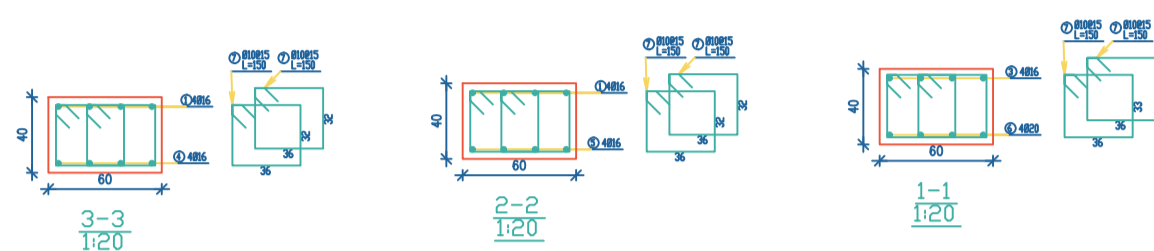
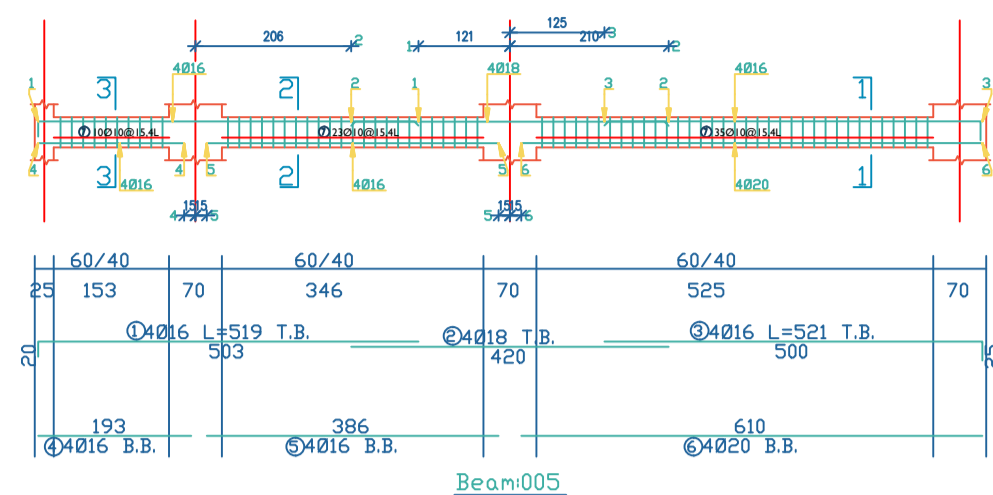
Ahmad Tamimi
Ismail Abu Dawod
Osama Qawasma

SCALE 1:100

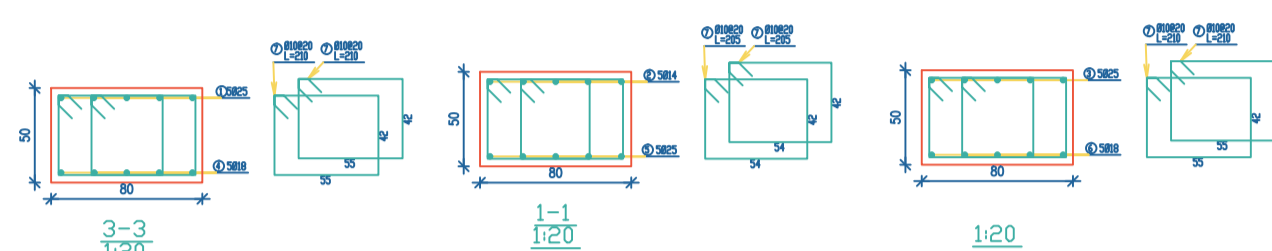
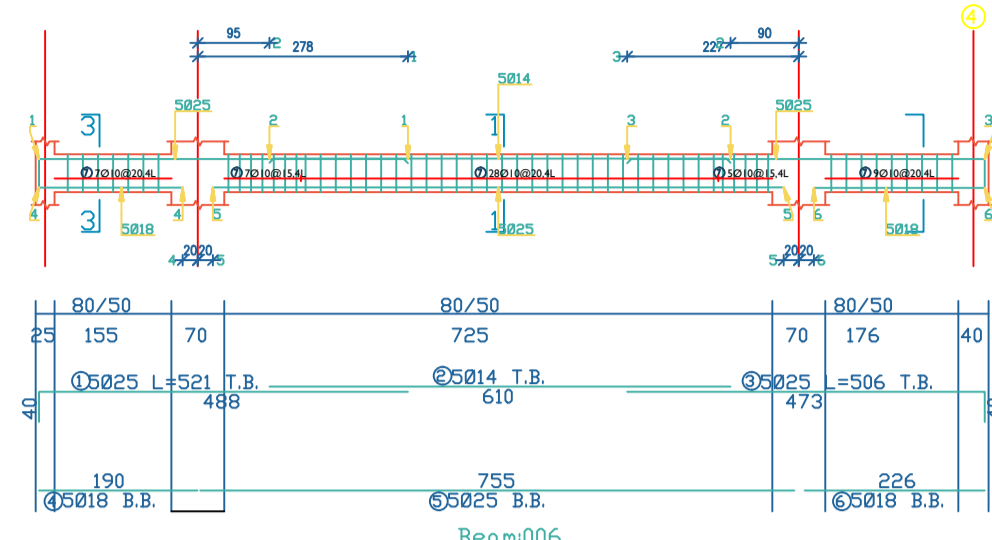
NO OF DRAW S 501

DATE 20/01/2024

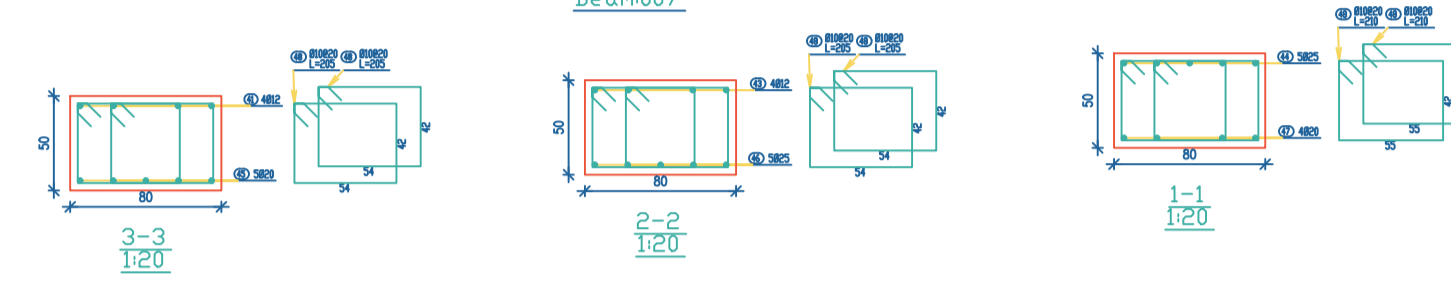
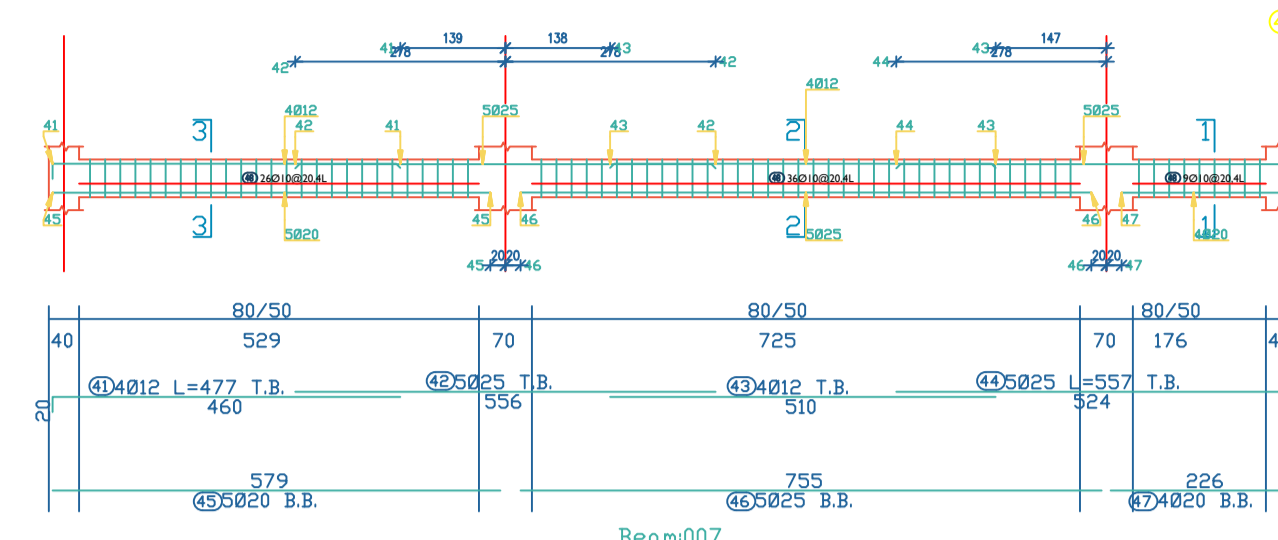
Beam:005



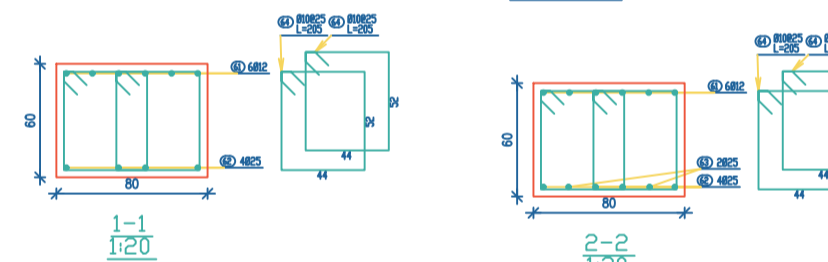
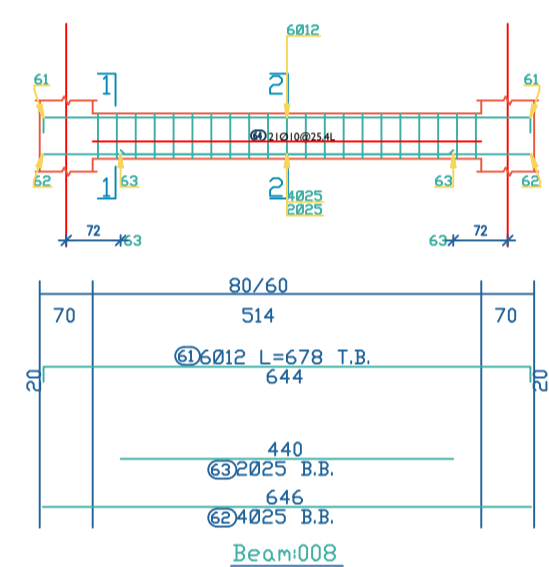
Beam:006



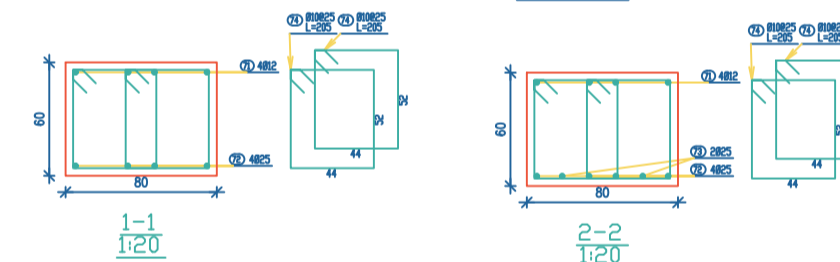
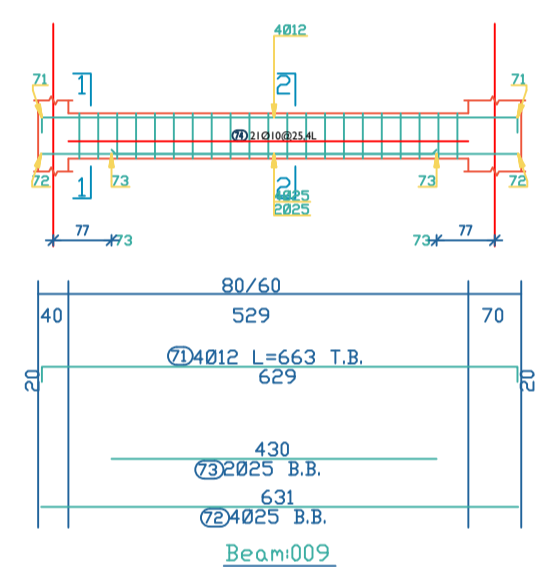
Beam:007



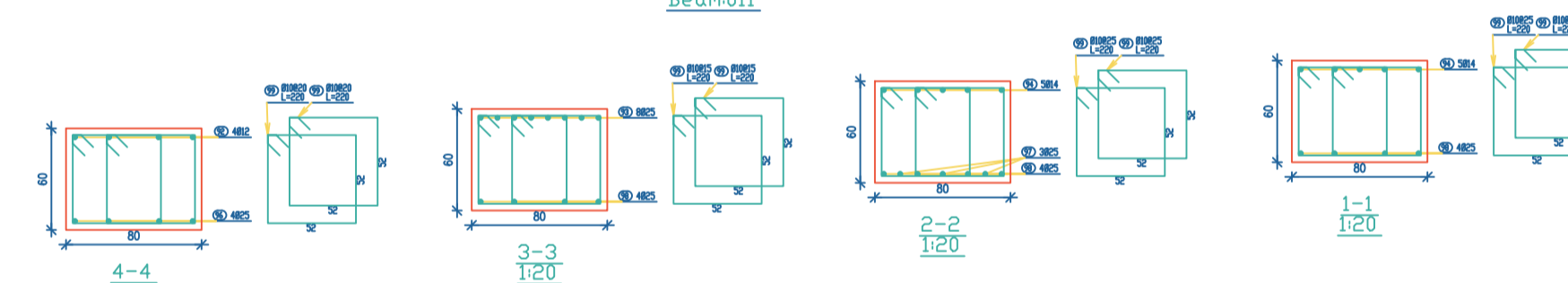
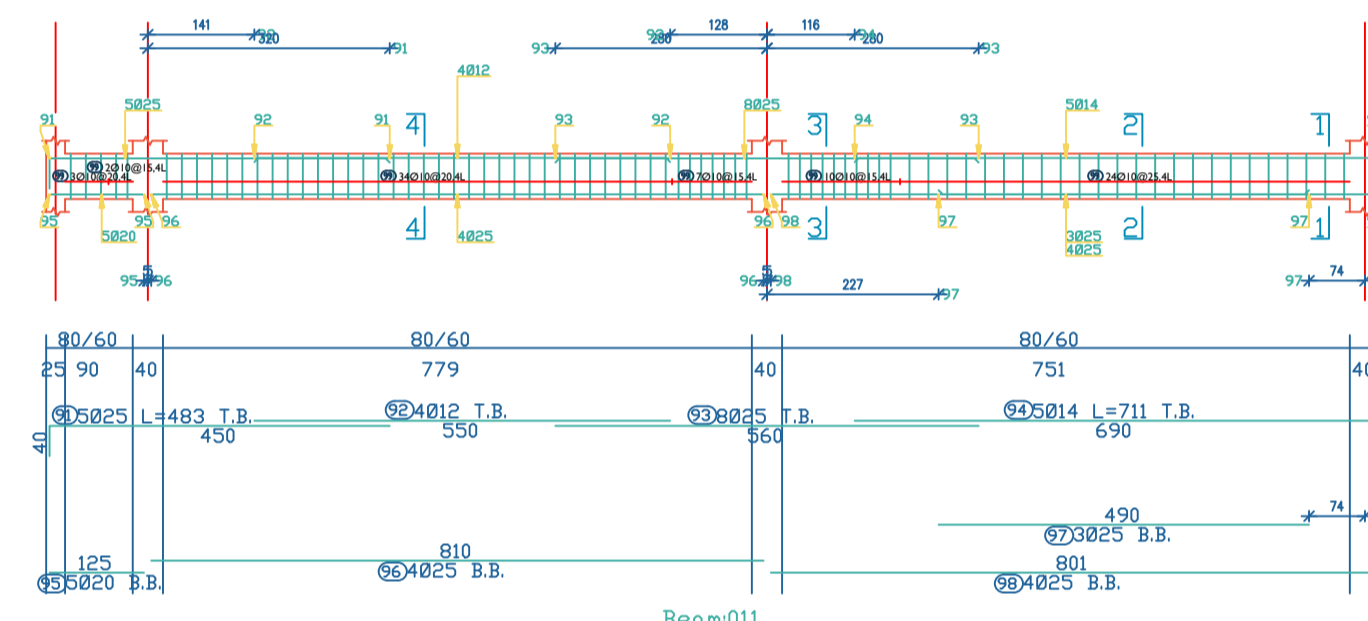
Beam:008



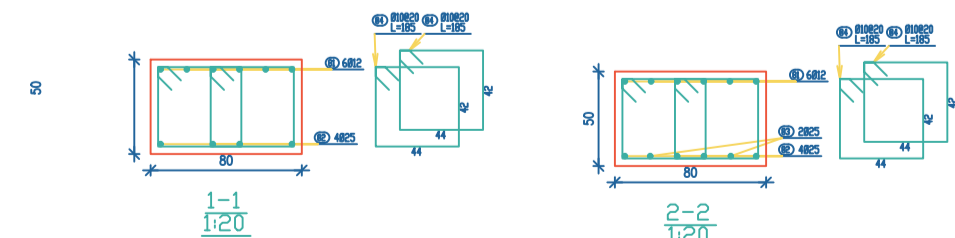
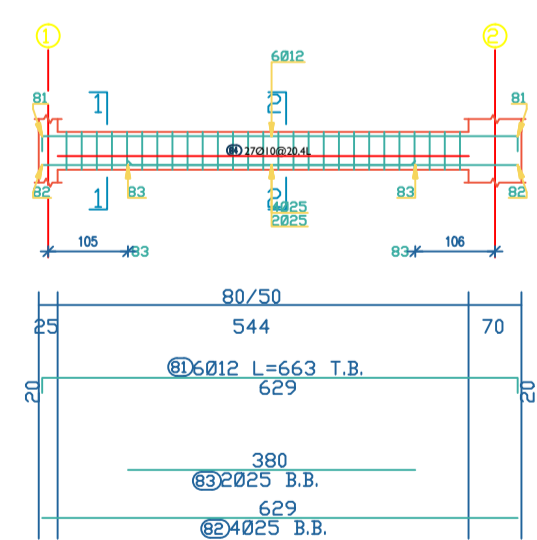
Beam:009



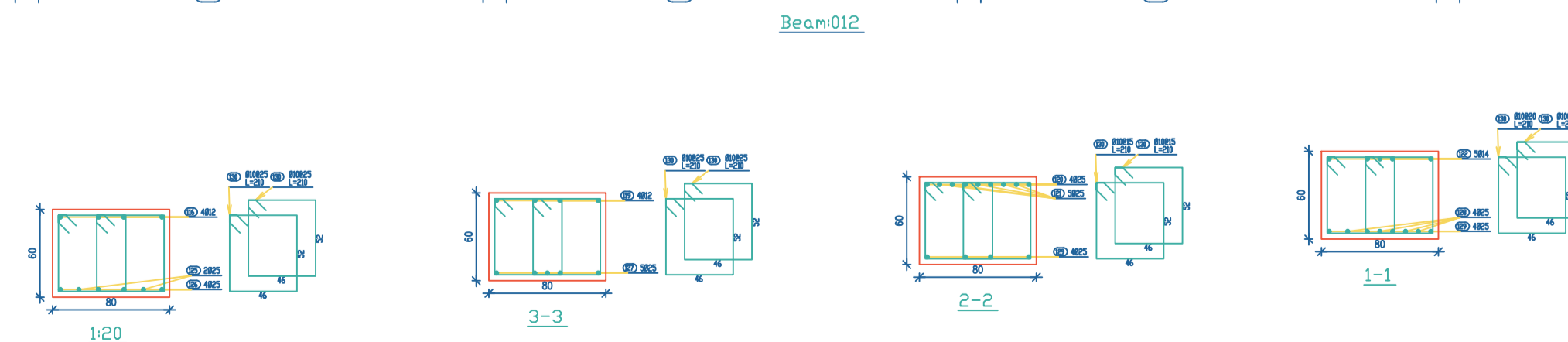
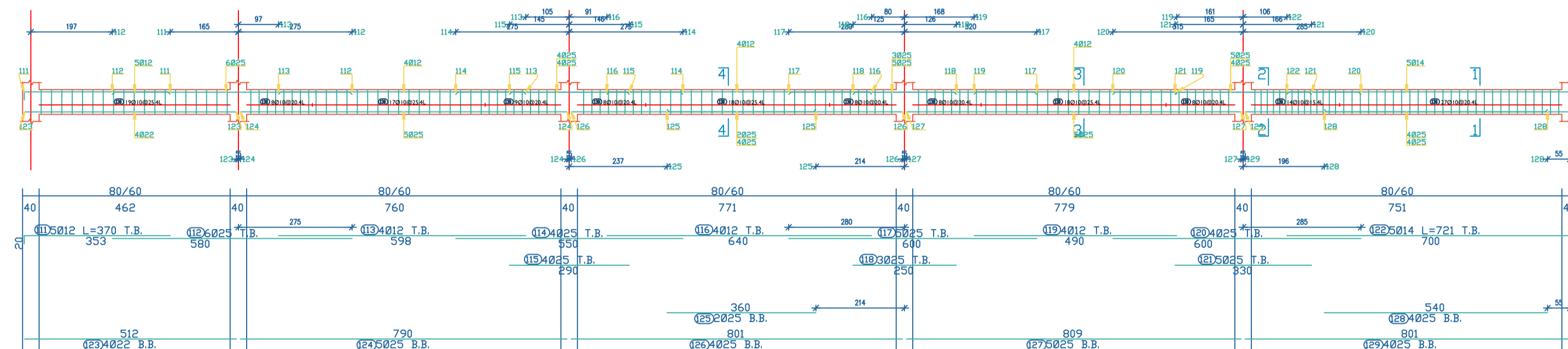
Beam:011



Beam: 010



Beam:012





Palestine Polytechnic University

Engineering College

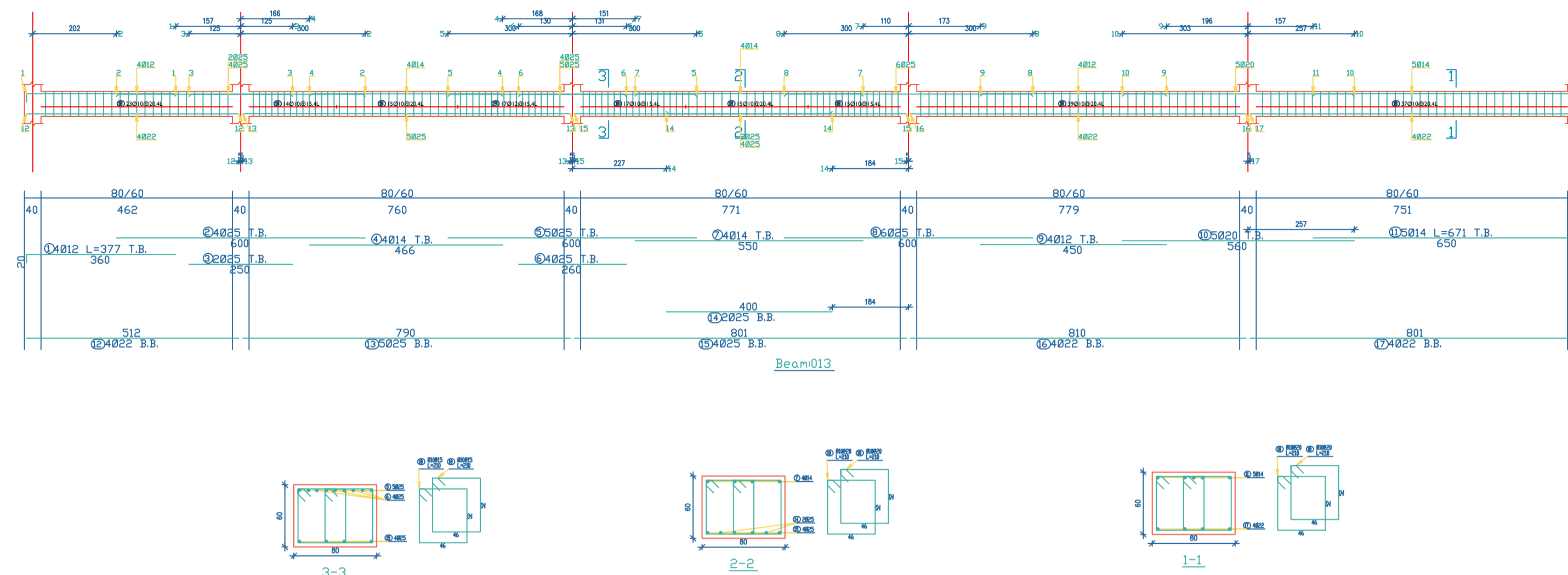
Civil Engineering Department

Building Engineering

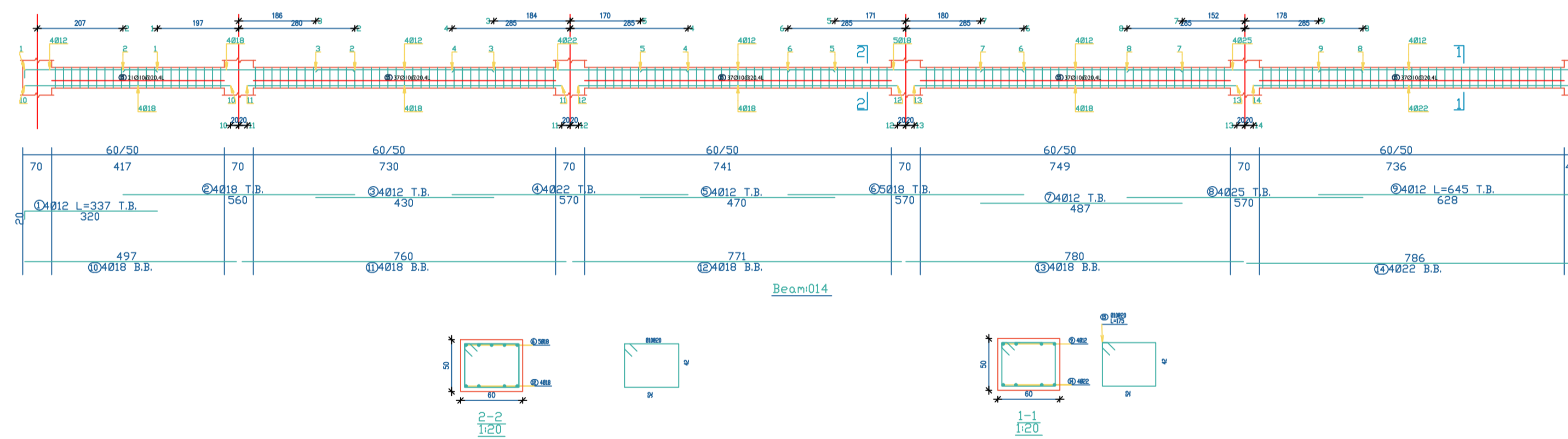
Al Ahd - Structural Design

Graduation Project

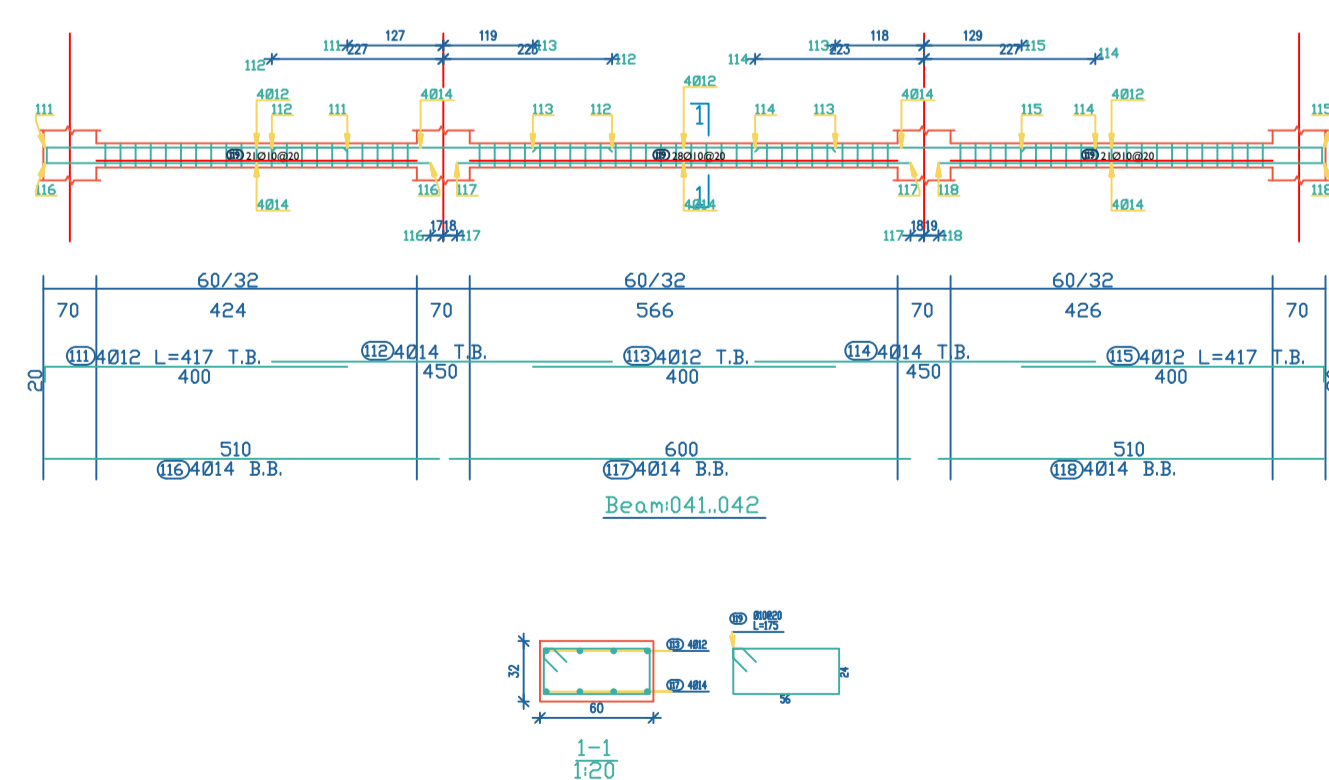
Beam:013



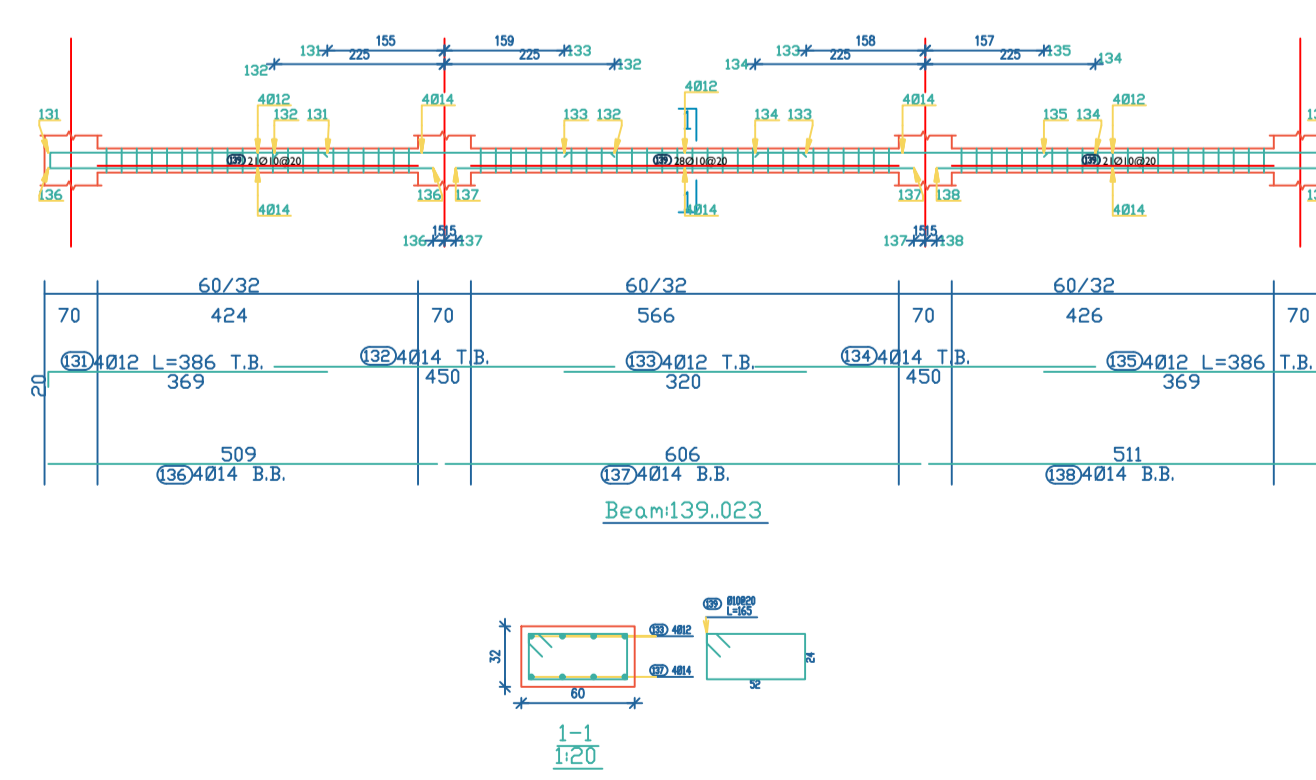
Beam:014



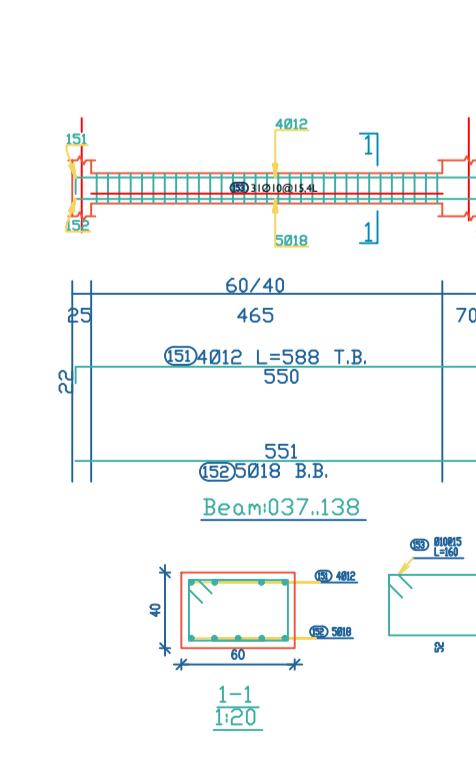
Beam:041..042



Beam:139..023



Beam:037..138



TITLE

BEAMS DETAILING

SUPERVISOR

Eng. Inas Shweki

DONE BY

Ahmad Tamimi
Ismail Abu Dawod
Osama Qawasma

SCALE

1:100

NO OF DRAW

S 502

DATE

20/01/2024



Palestine Polytechnic University

Engineering College

Civil Engineering Department

Building Engineering

Al Ahd - Structural Design

Graduation Project

TITLE

BEAMS DETAILING

SUPERVISOR

Eng. Inas Shweki

DONE BY

Ahmad Tamimi
Ismail Abu Dawod
Osama Qawasma

SCALE

1:100

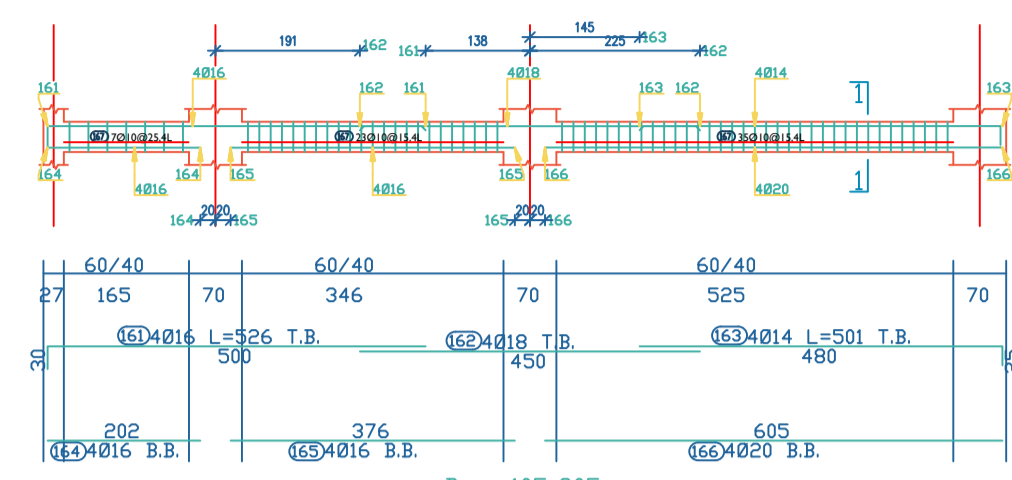
NO OF
DRAW

S 503

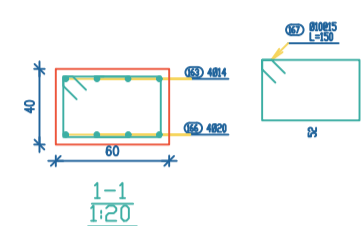
DATE

20/01/2024

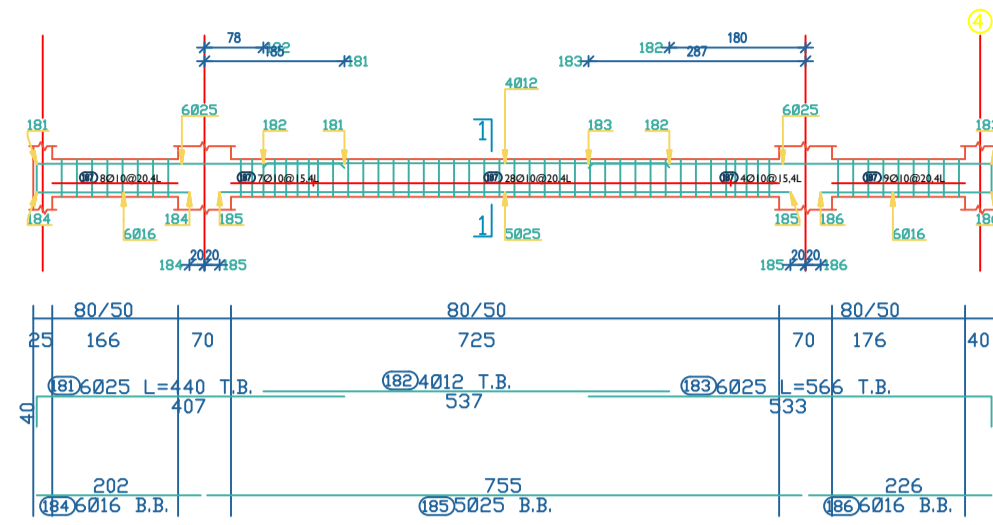
Beam:105..205



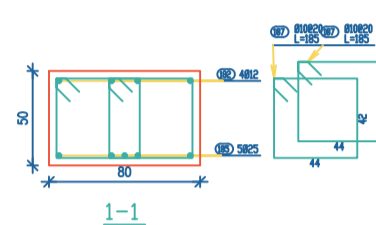
Beam105.205



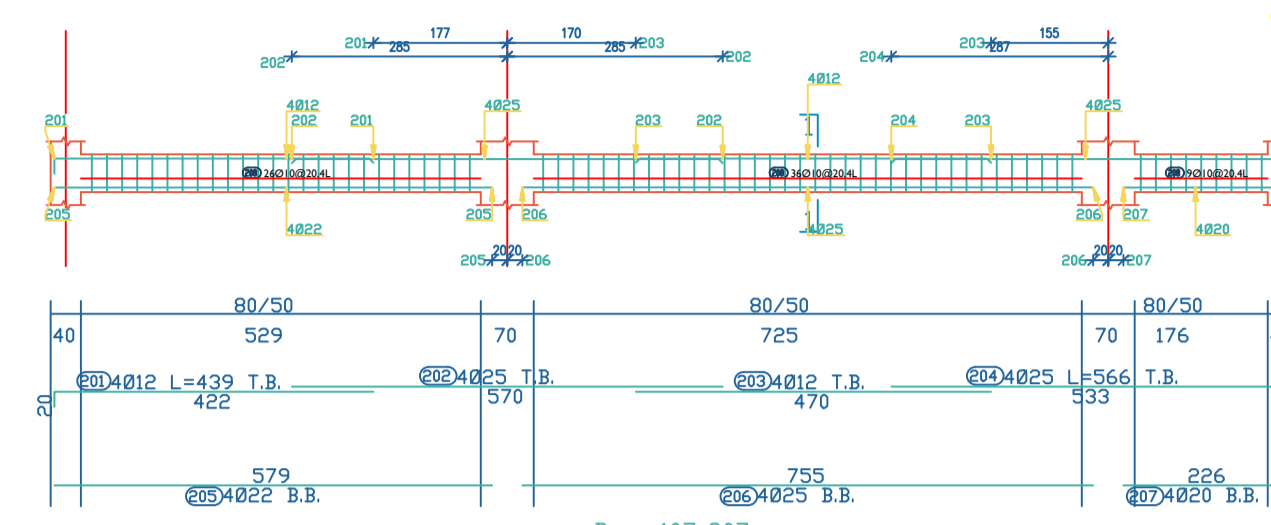
Beam:106..206



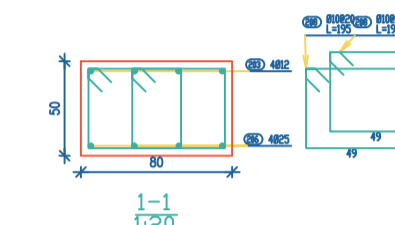
Beam106.206



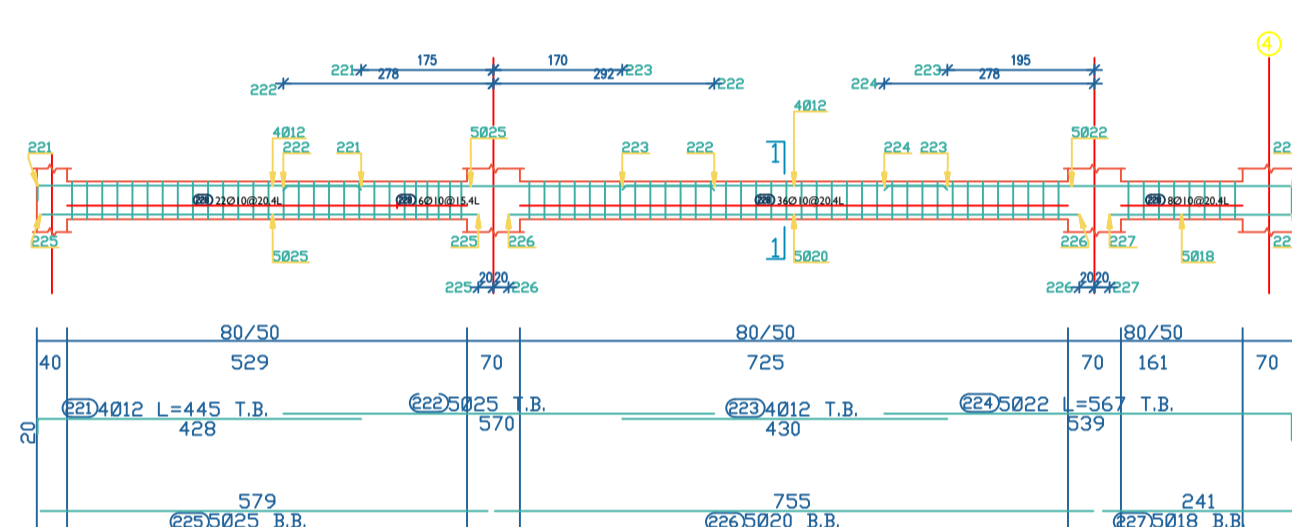
Beam:107..207



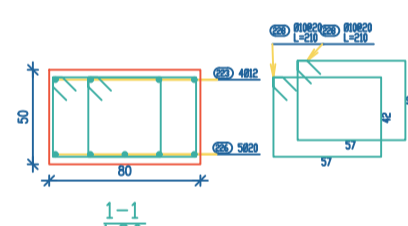
Beam107.207



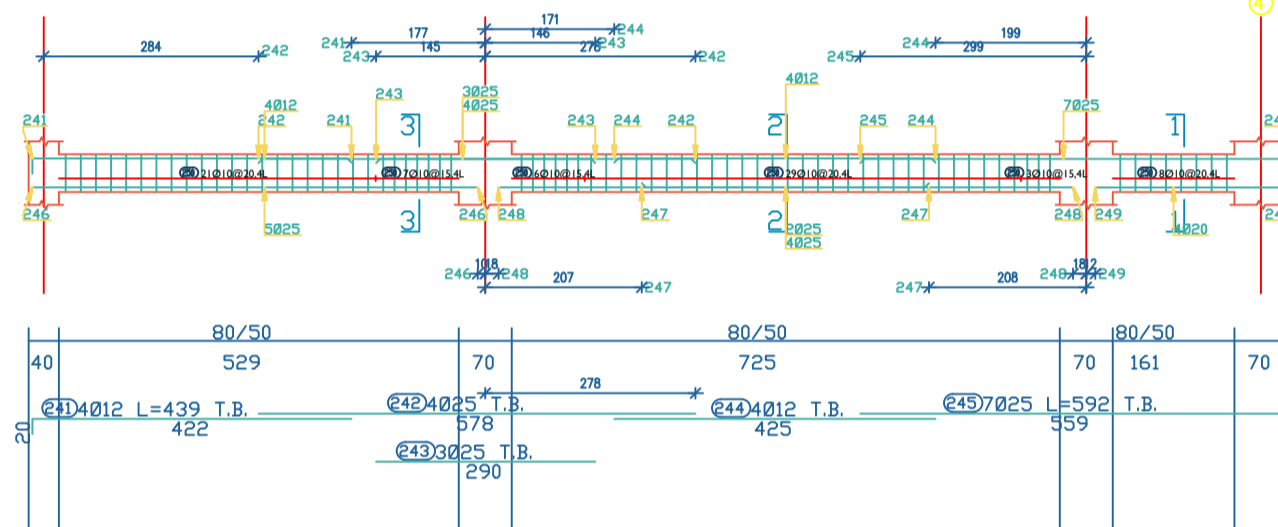
Beam:108..208



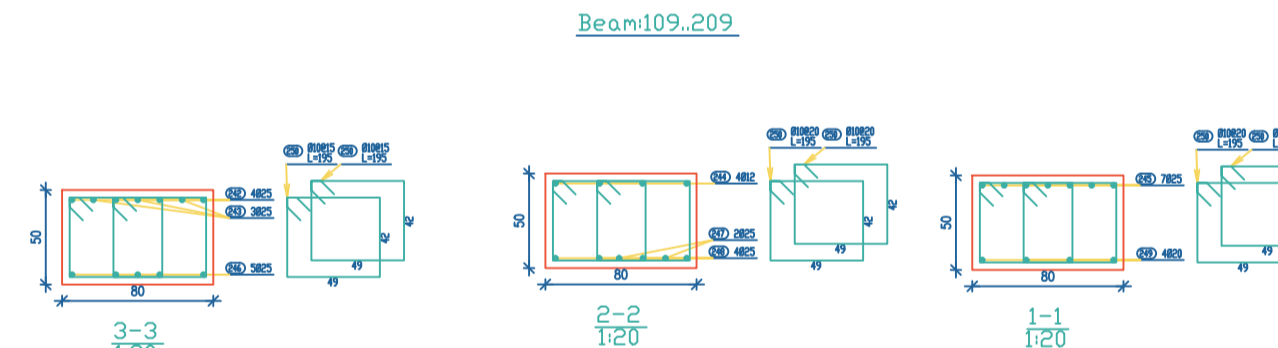
Beam108.208



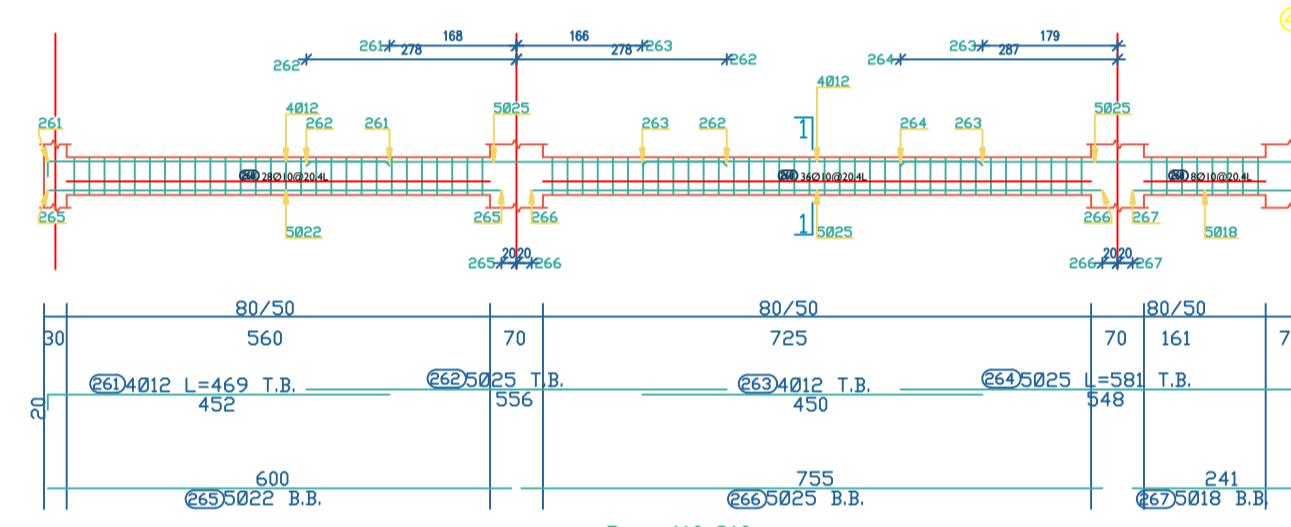
Beam:109..209



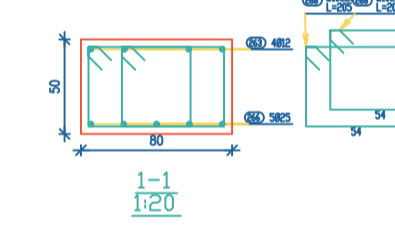
Beam109.209



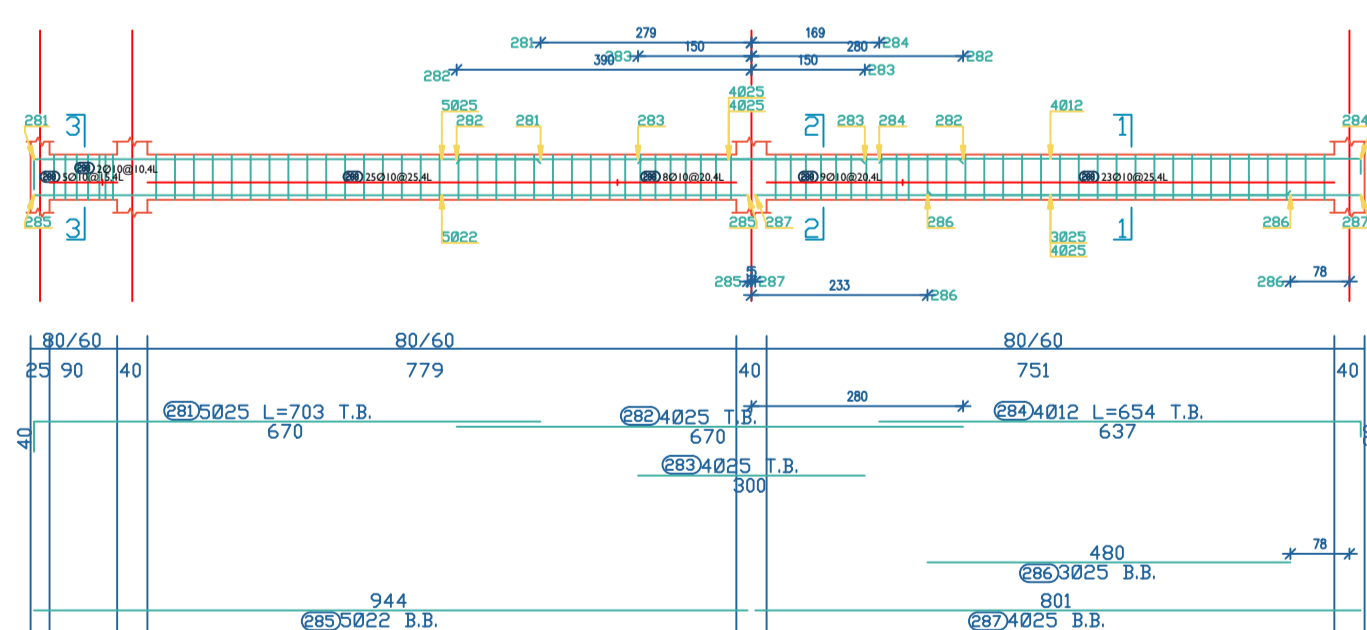
Beam:110..210



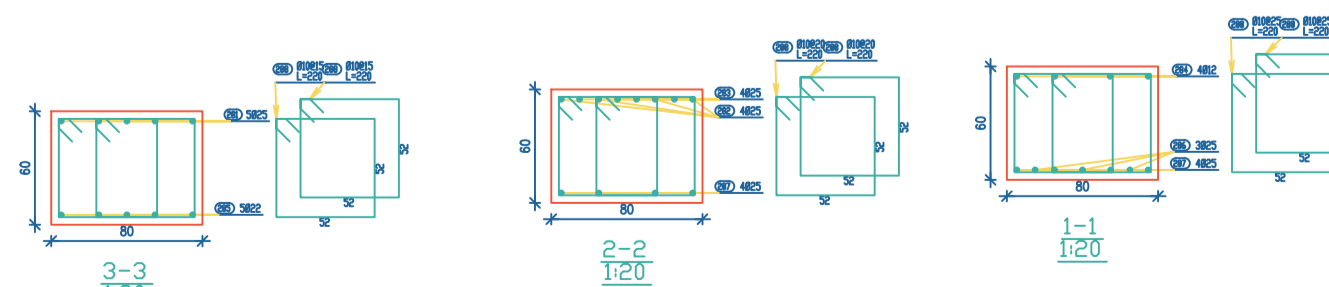
Beam110.210



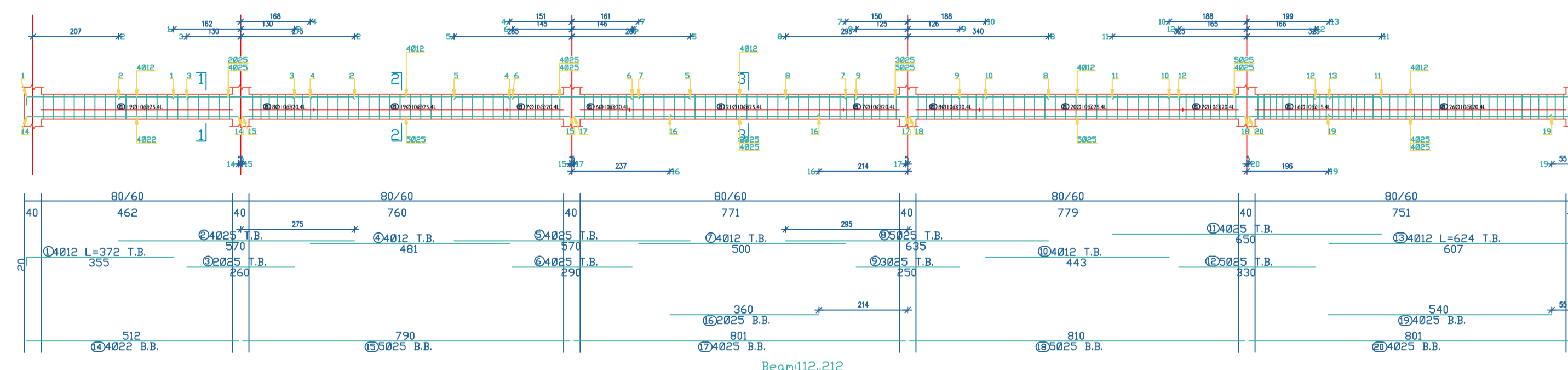
Beam:111..211



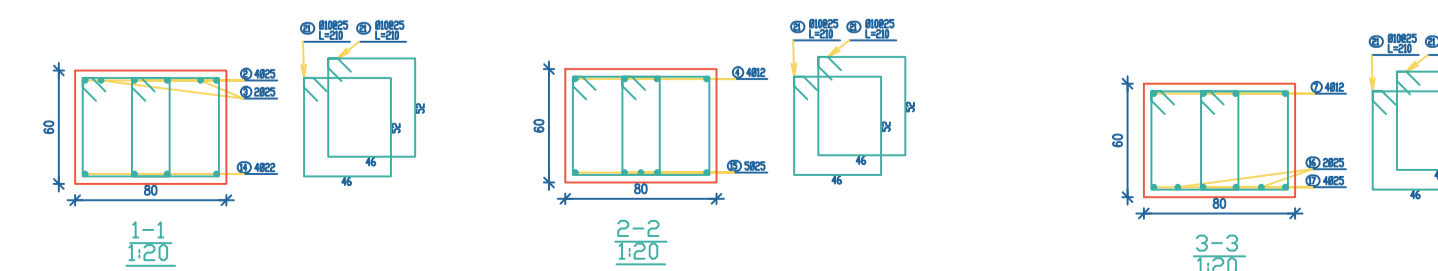
Beam111.211



Beam:112..212



Beam112.212





Palestine Polytechnic University

Engineering College

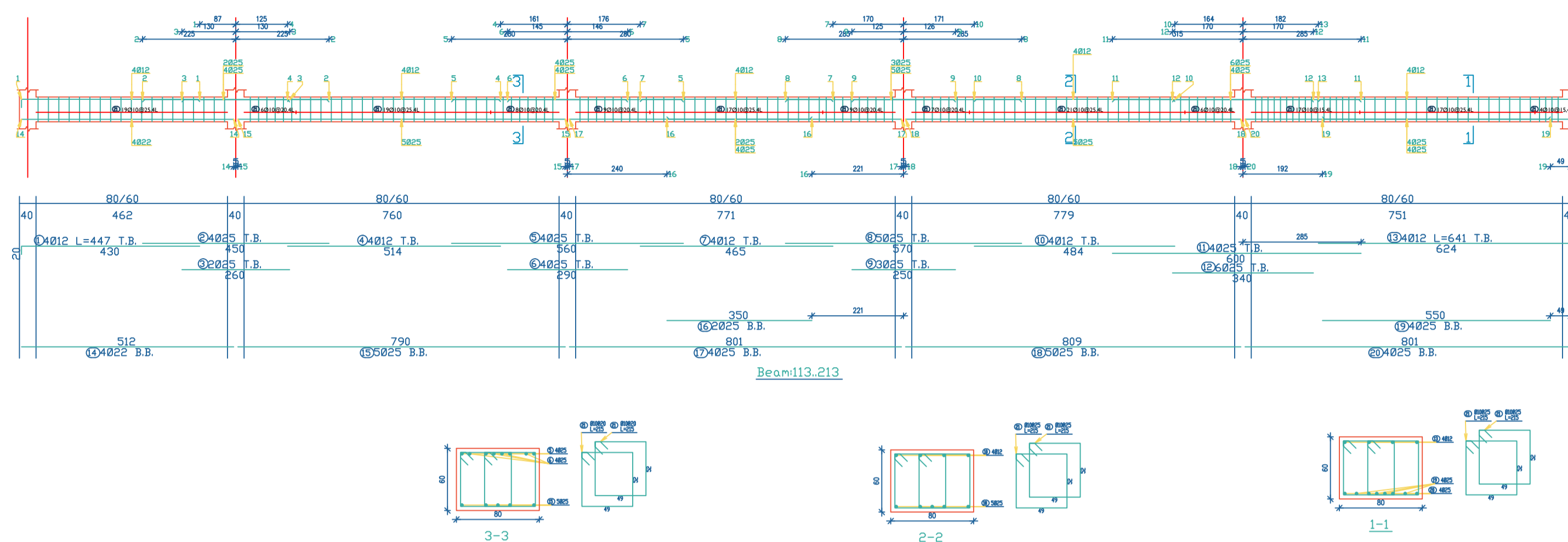
Civil Engineering Department

Building Engineering

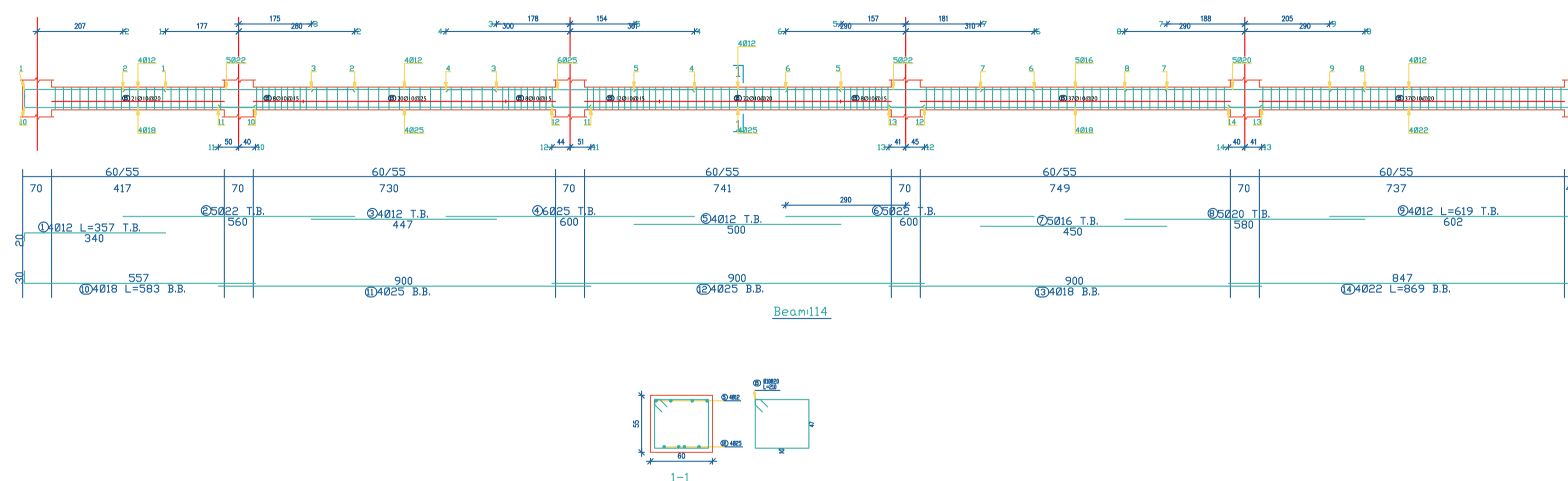
Al Ahd - Structural Design

Graduation Project

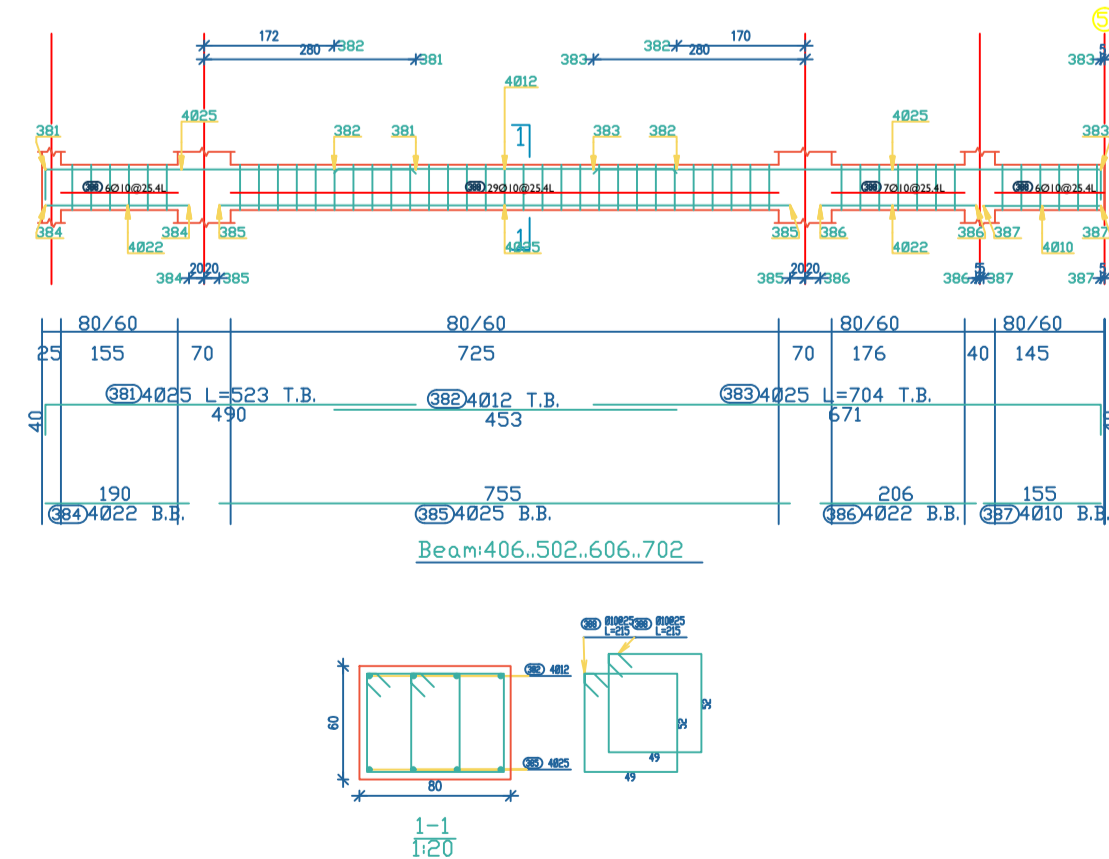
Beam:113.213



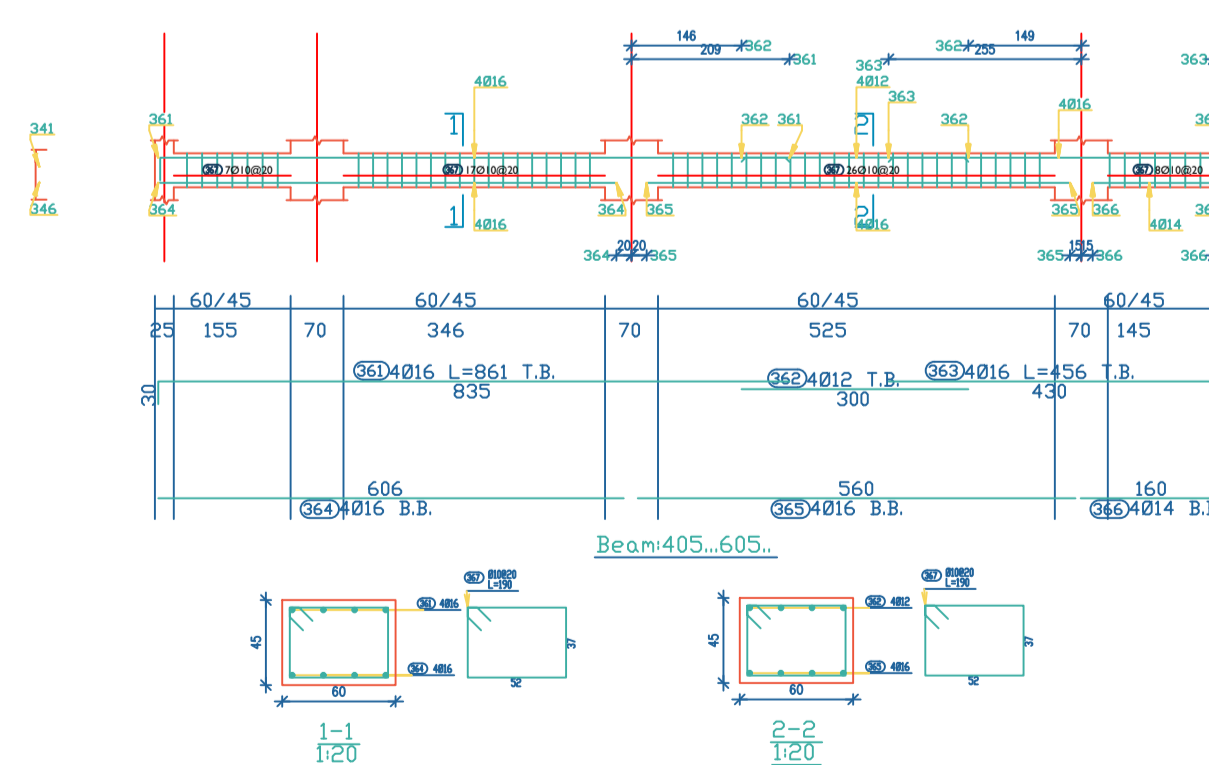
Beam:114



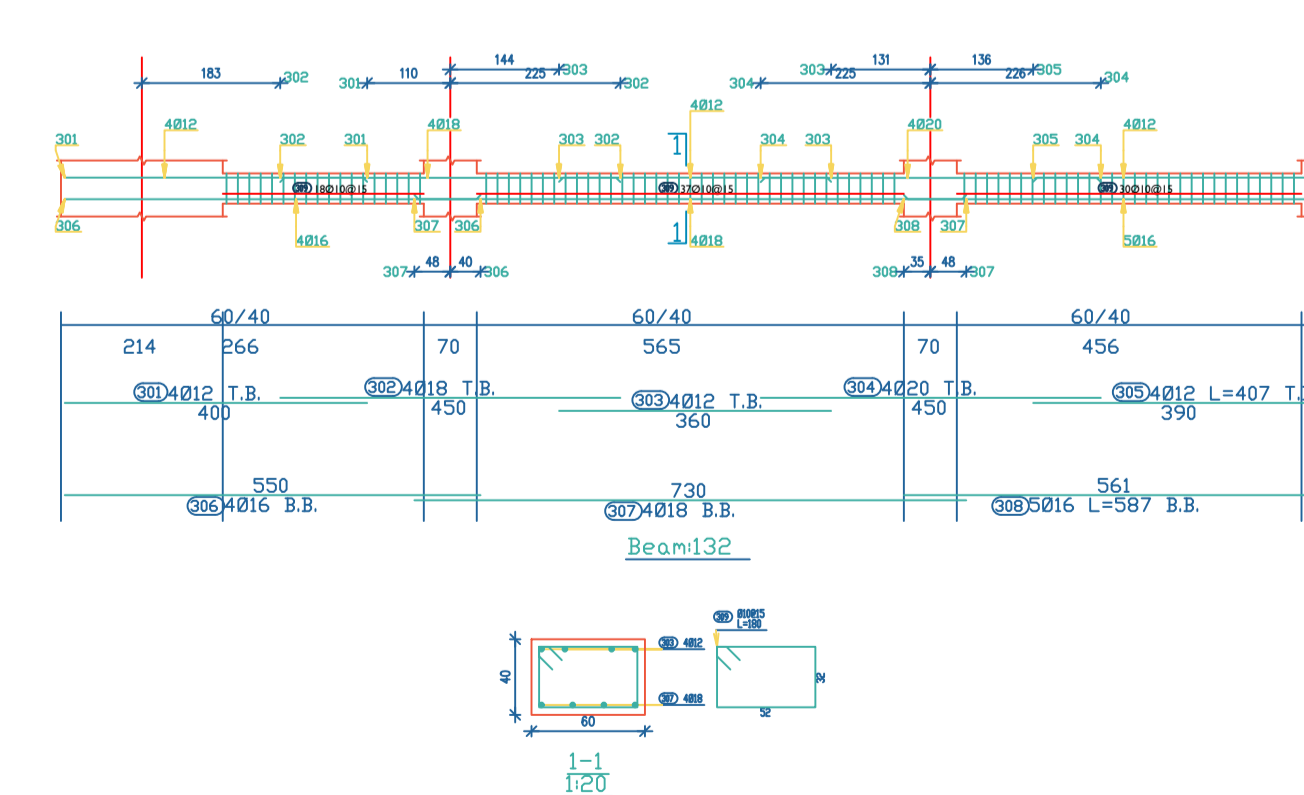
Beam:406..502..606..702



Beam:405...605..



Beam:132



TITLE

BEAMS DETAILING

SUPERVISOR

Eng. Inas Shweki

DONE BY

Ahmad Tamimi
Ismail Abu Dawod
Osama Qawasma

SCALE

1:100

NO OF DRAW

S 504

DATE

20/01/2024



Palestine Polytechnic University

Engineering College

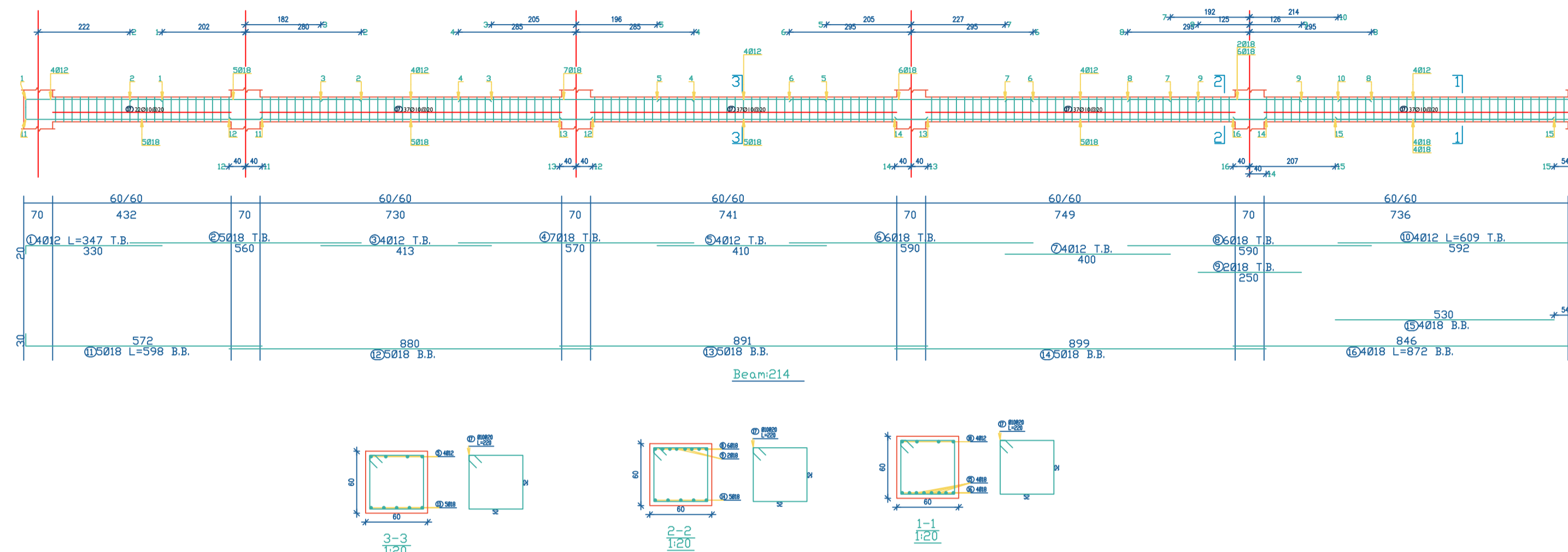
Civil Engineering Department

Building Engineering

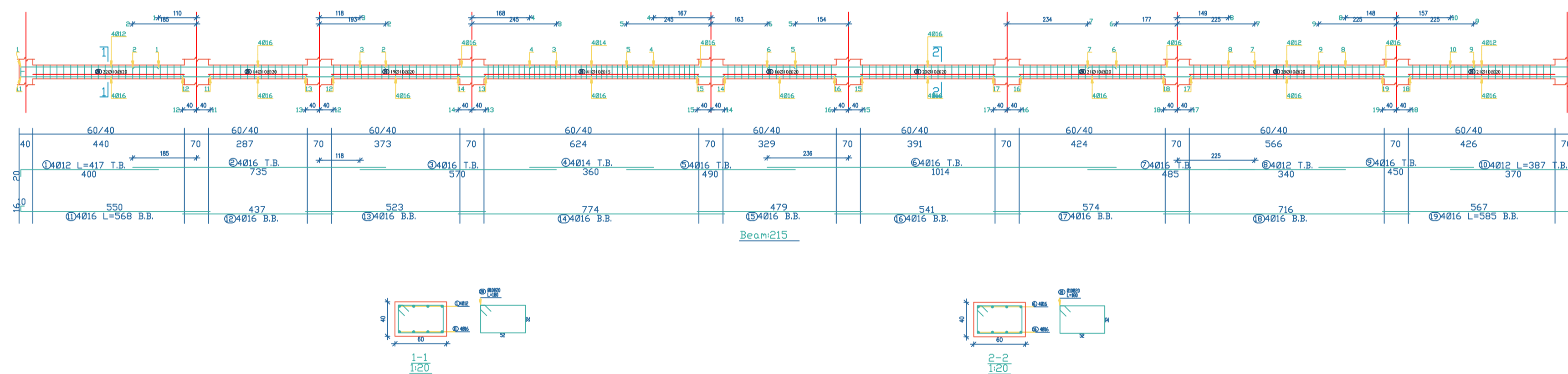
Al Ahd - Structural Design

Graduation Project

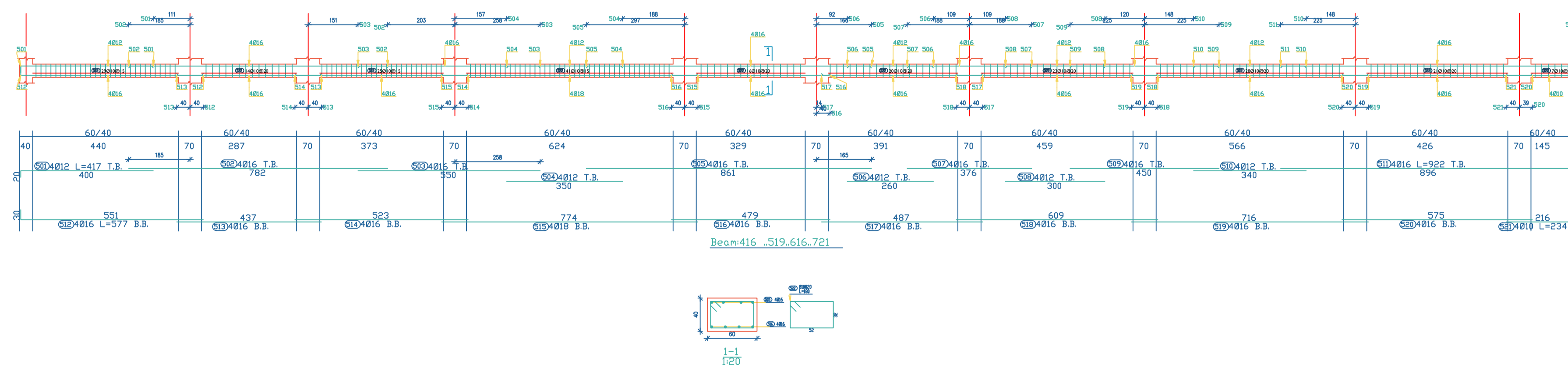
Beam:214



Beam:215



Beam:416 .519.616.721



TITLE

BEAMS DETAILING

SUPERVISOR

Eng. Inas Shweki

DONE BY

Ahmad Tamimi
Ismail Abu Dawod
Osama Qawasma

SCALE 1:100

NO OF DRAW S 505

DATE 20/01/2024



Palestine Polytechnic University

Engineering College

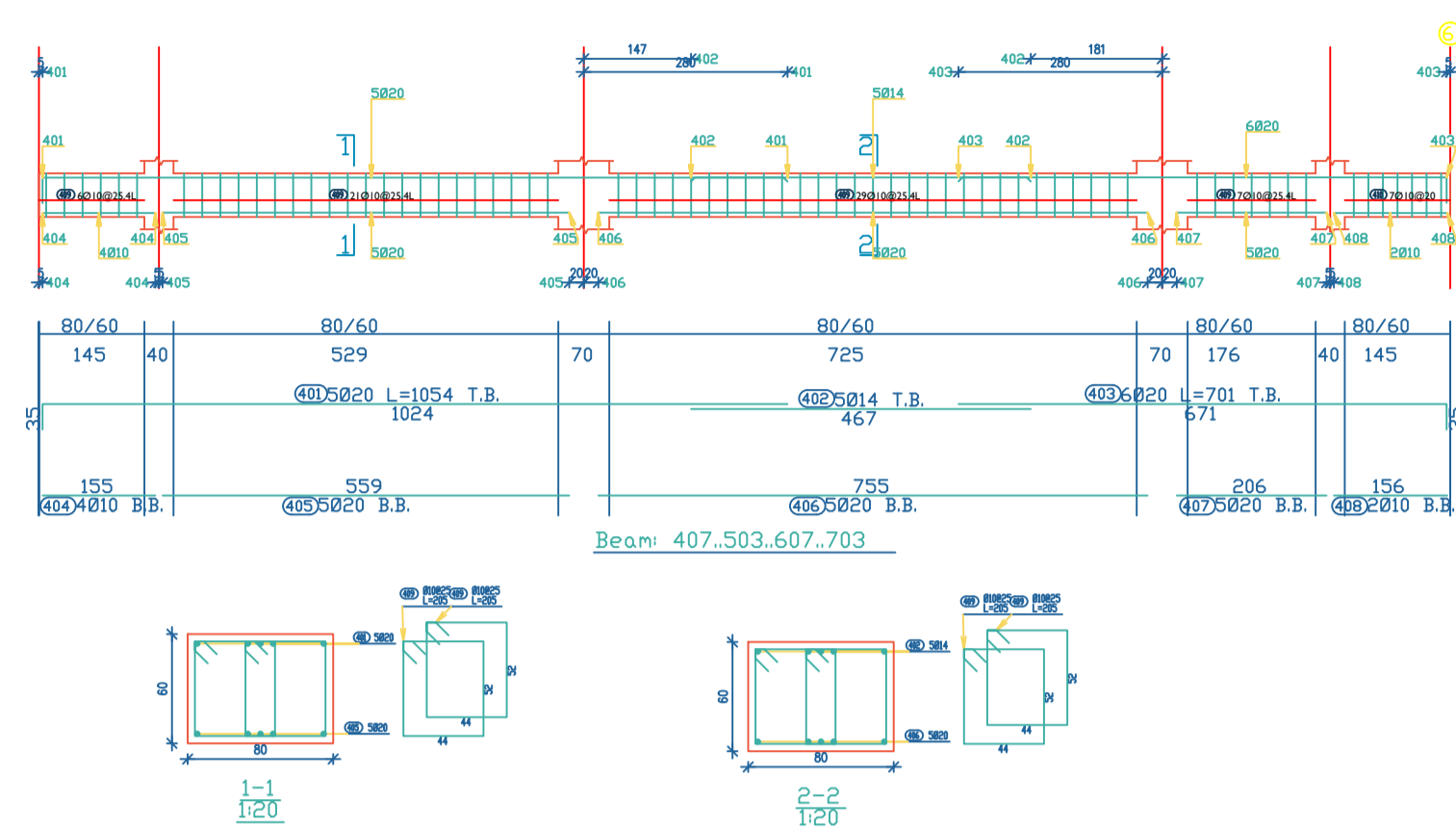
Civil Engineering Department

Building Engineering

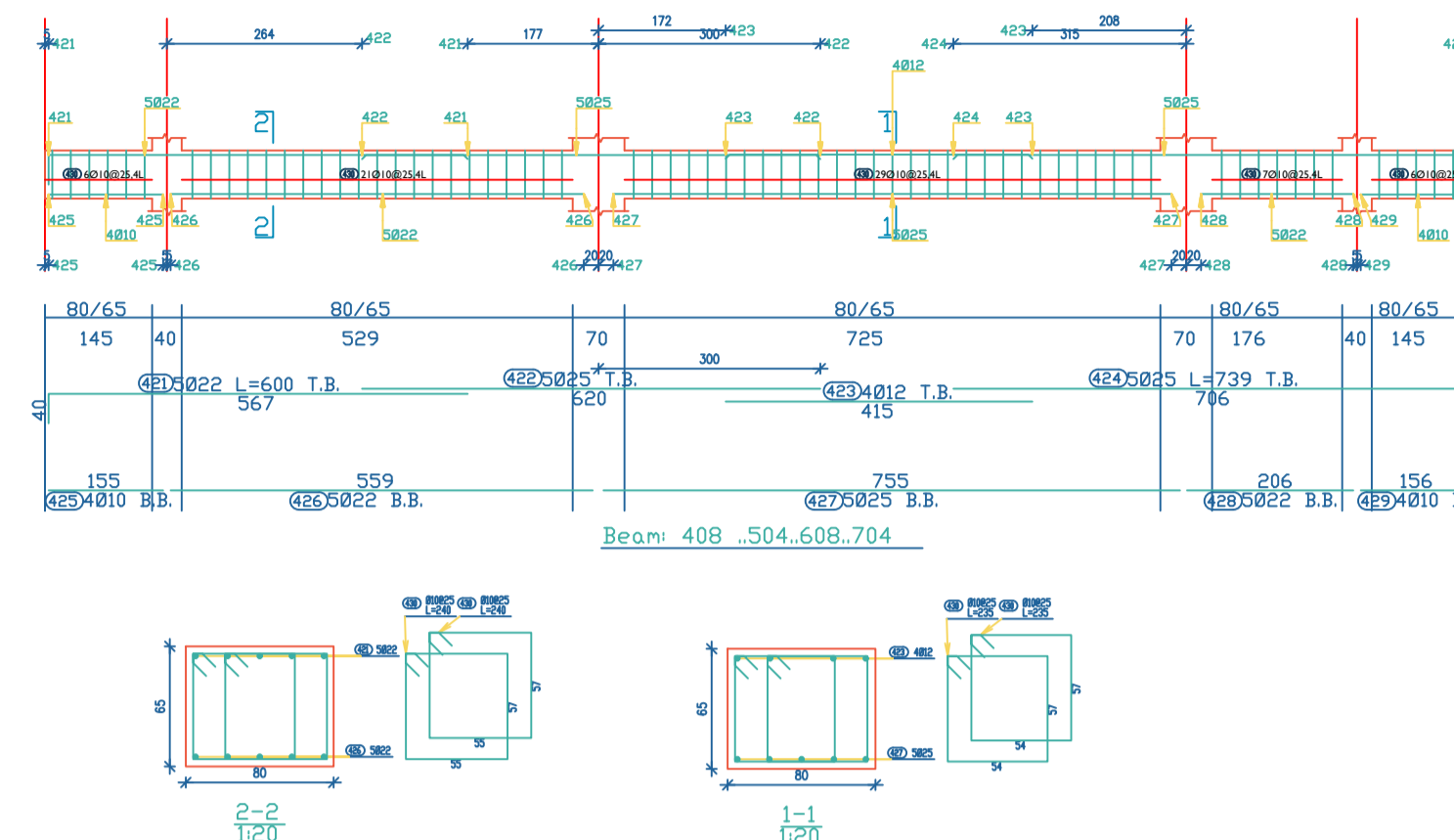
Al Ahd - Structural Design

Graduation Project

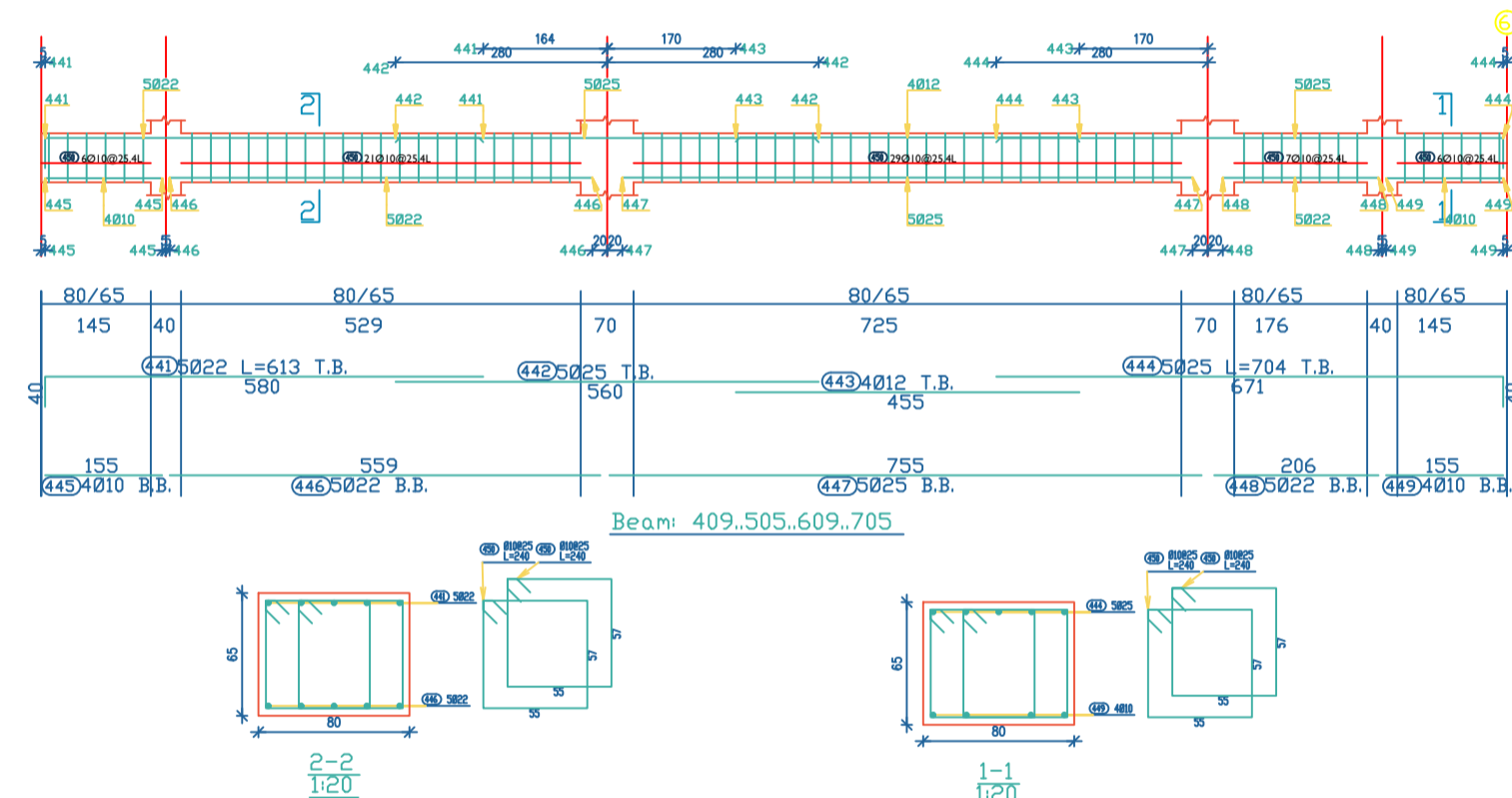
Beam: 407.503.607.703



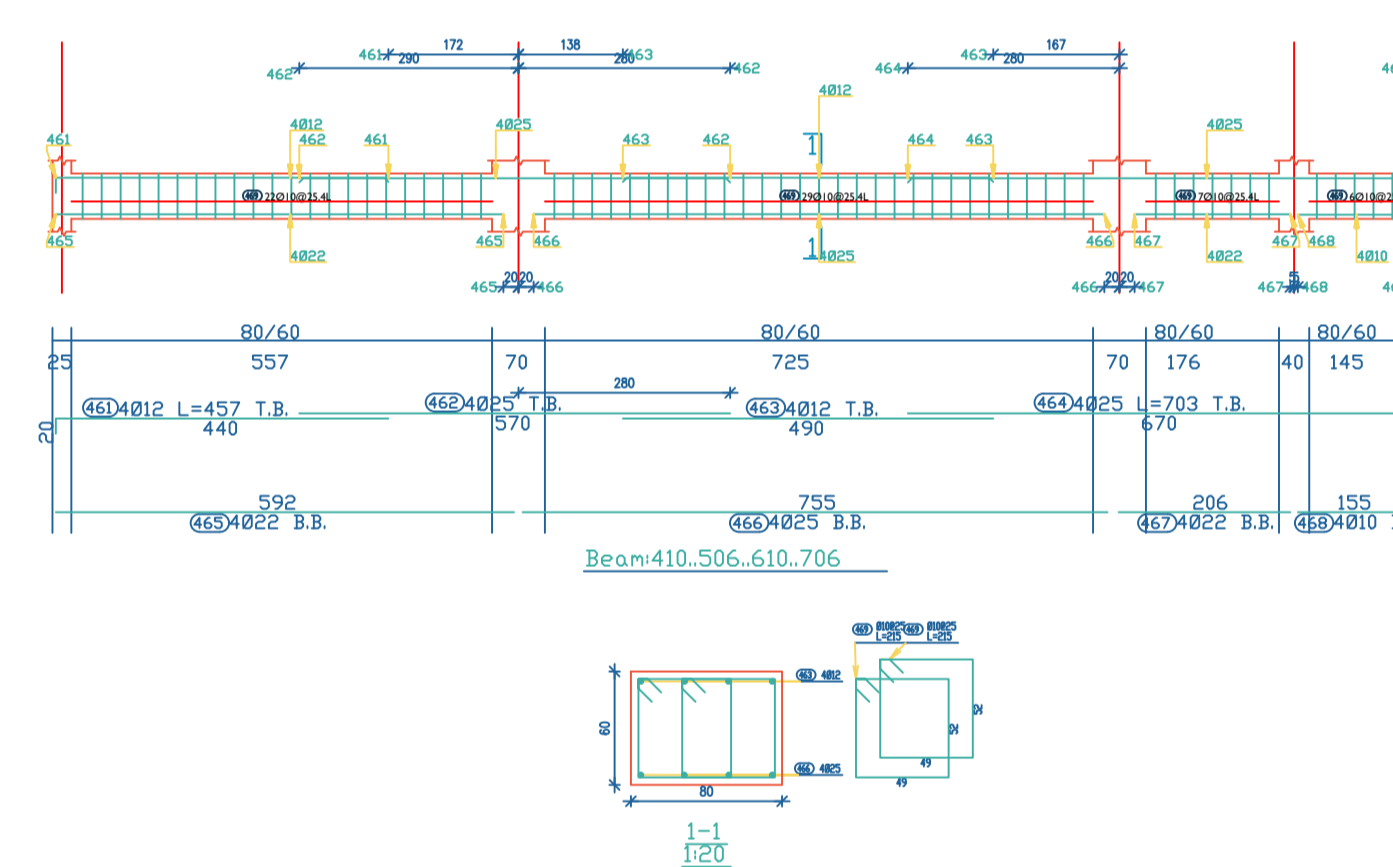
Beam: 408 .504.608.704



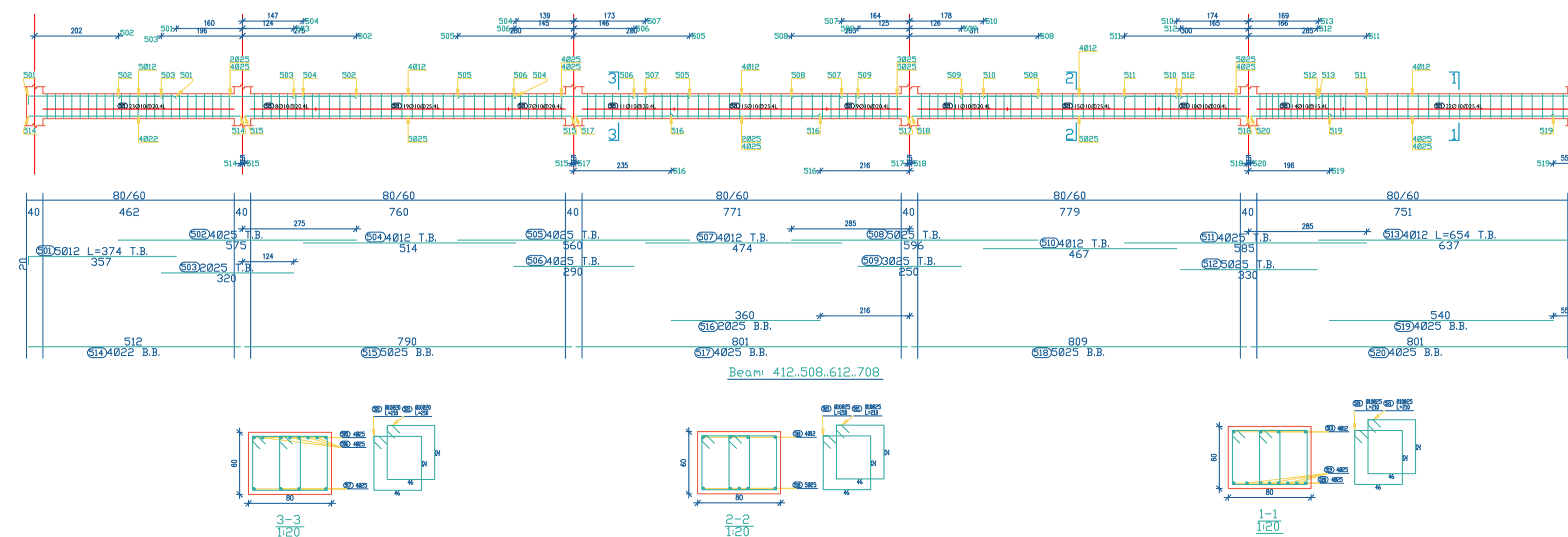
Beam: 409.505.609.705



Beam:410.506.610.706



Beam: 412.508.612.708



TITLE

BEAMS DETAILING

SUPERVISOR

Eng. Inas Shweki

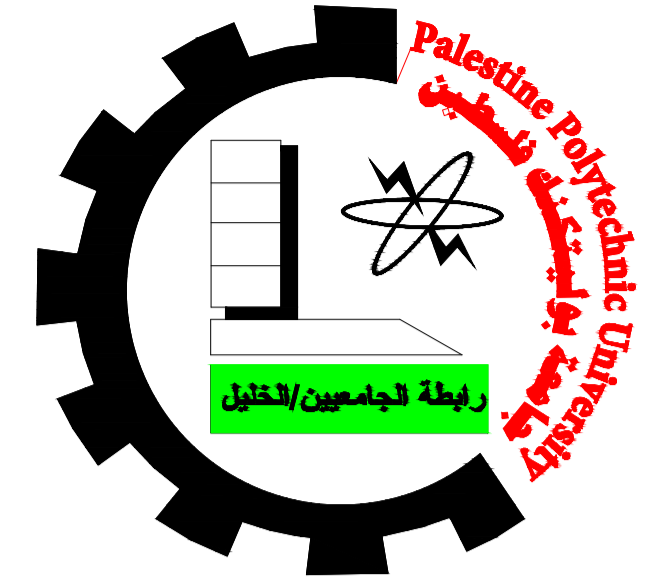
DONE BY

Ahmad Tamimi
Ismail Abu Dawod
Osama Qawasma

SCALE 1:100

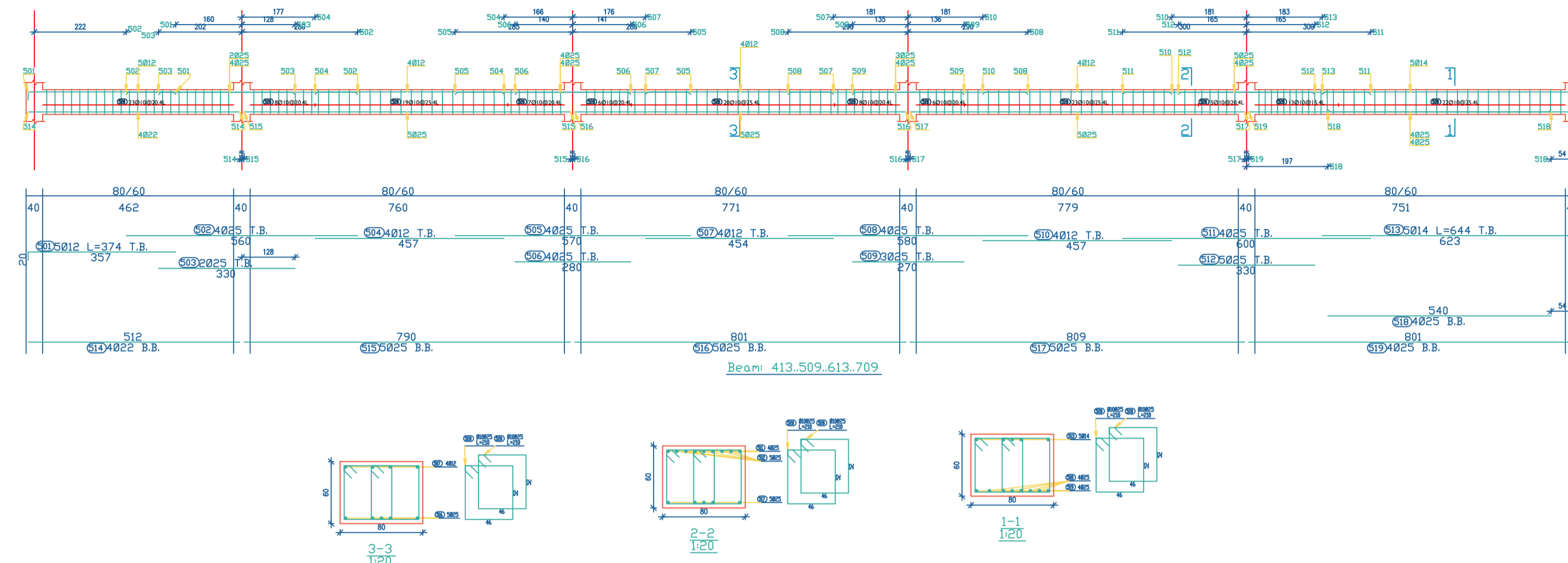
NO OF DRAW S 506

DATE 20/01/2024

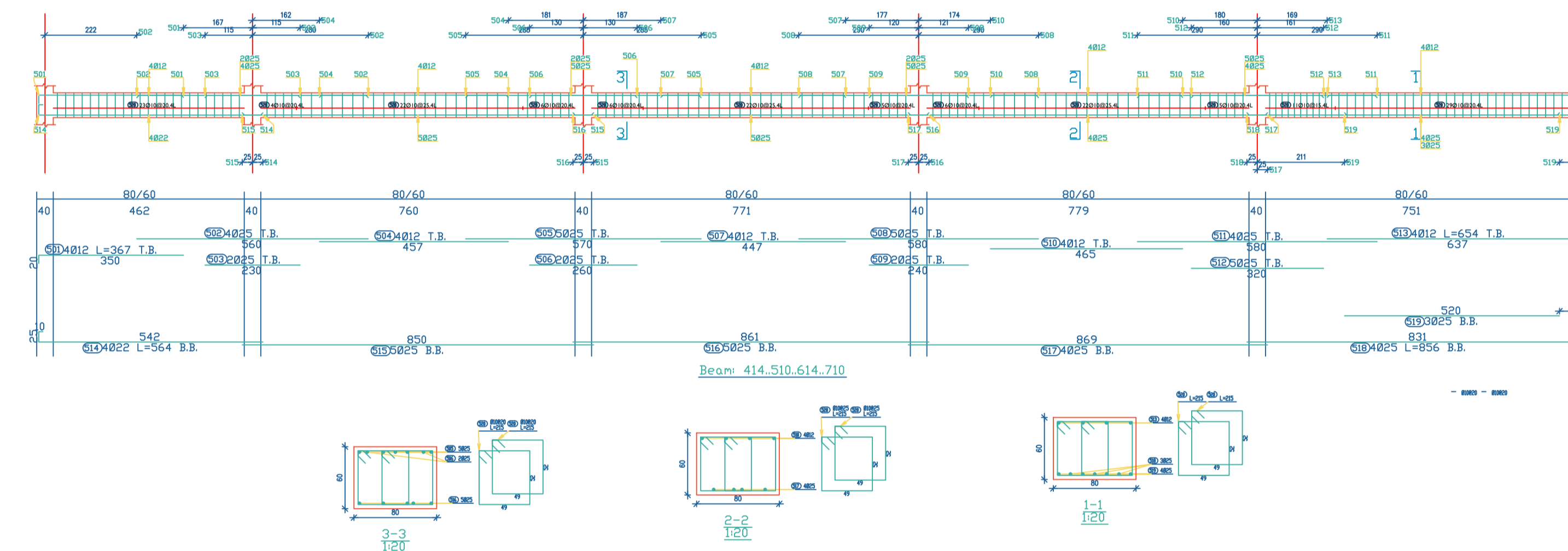


Palestine Polytechnic University
 Engineering College
 Civil Engineering Department
 Building Engineering
 Al Ahd - Structural Design
 Graduation Project

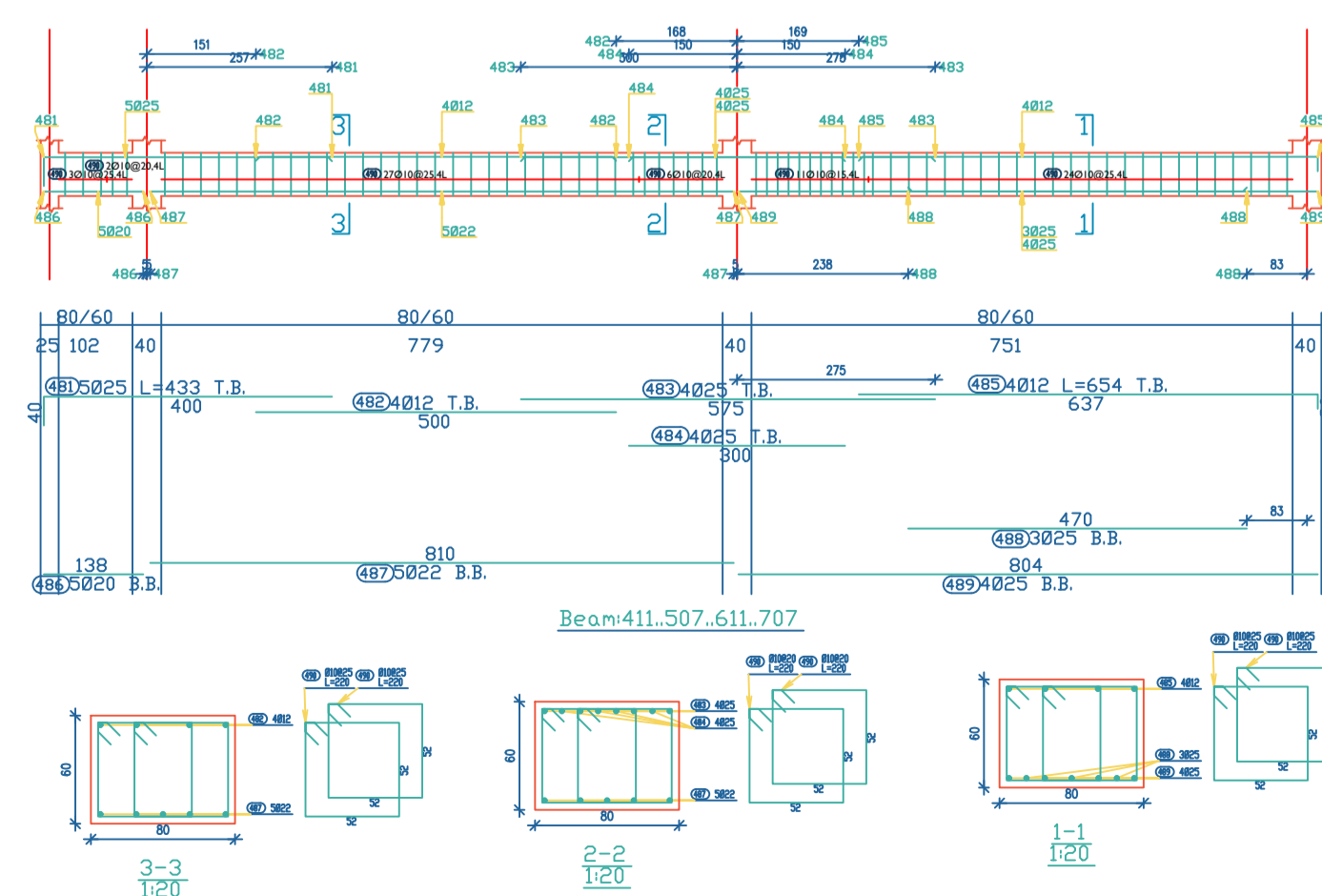
Beam: 413.509.613.709



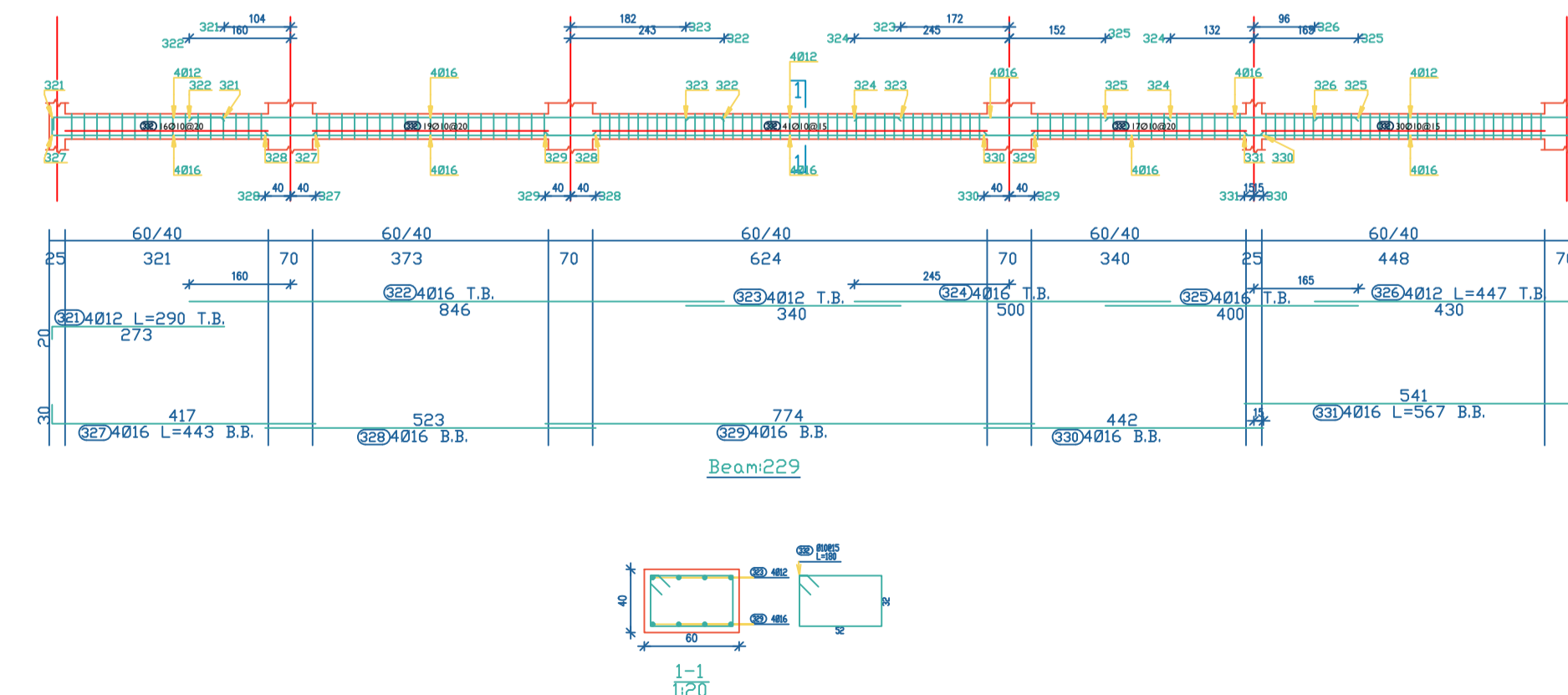
Beam: 414.510.614.710



Beam:411.507.611.707



Beam:229



TITLE
 BEAMS DETAILING

SUPERVISOR
 Eng. Inas Shweki

DONE BY
 Ahmad Tamimi
 Ismail Abu Dawod
 Osama Qawasma

SCALE	1:100
NO OF DRAW	S 507
DATE	20/01/2024



Palestine Polytechnic University

Engineering College

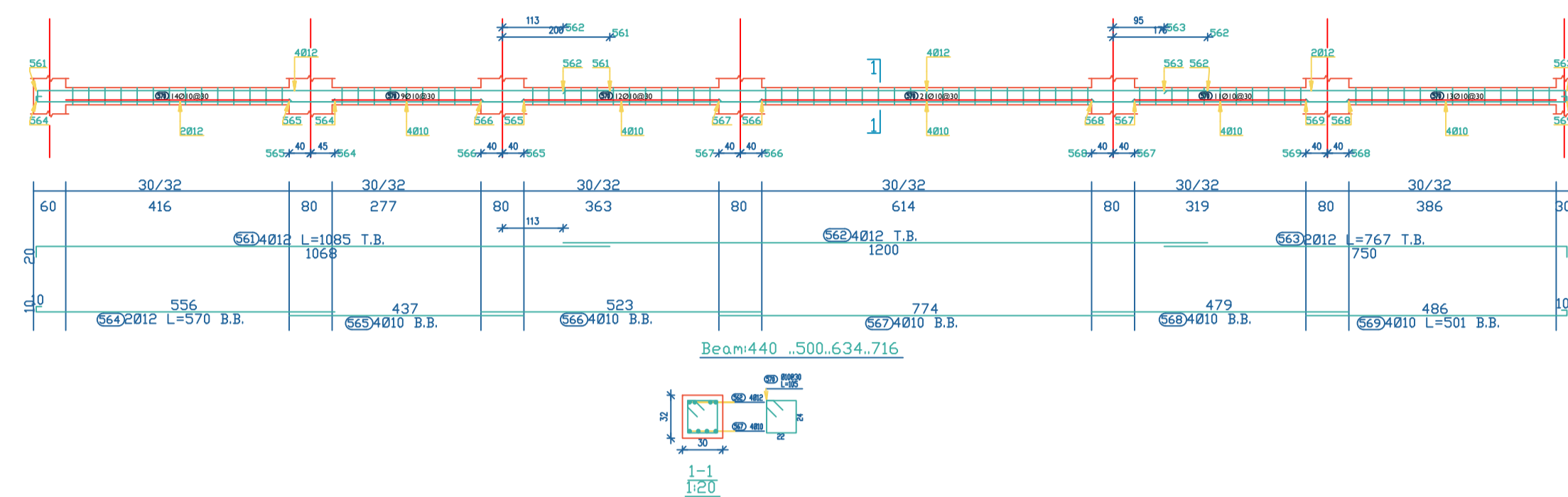
Civil Engineering Department

Building Engineering

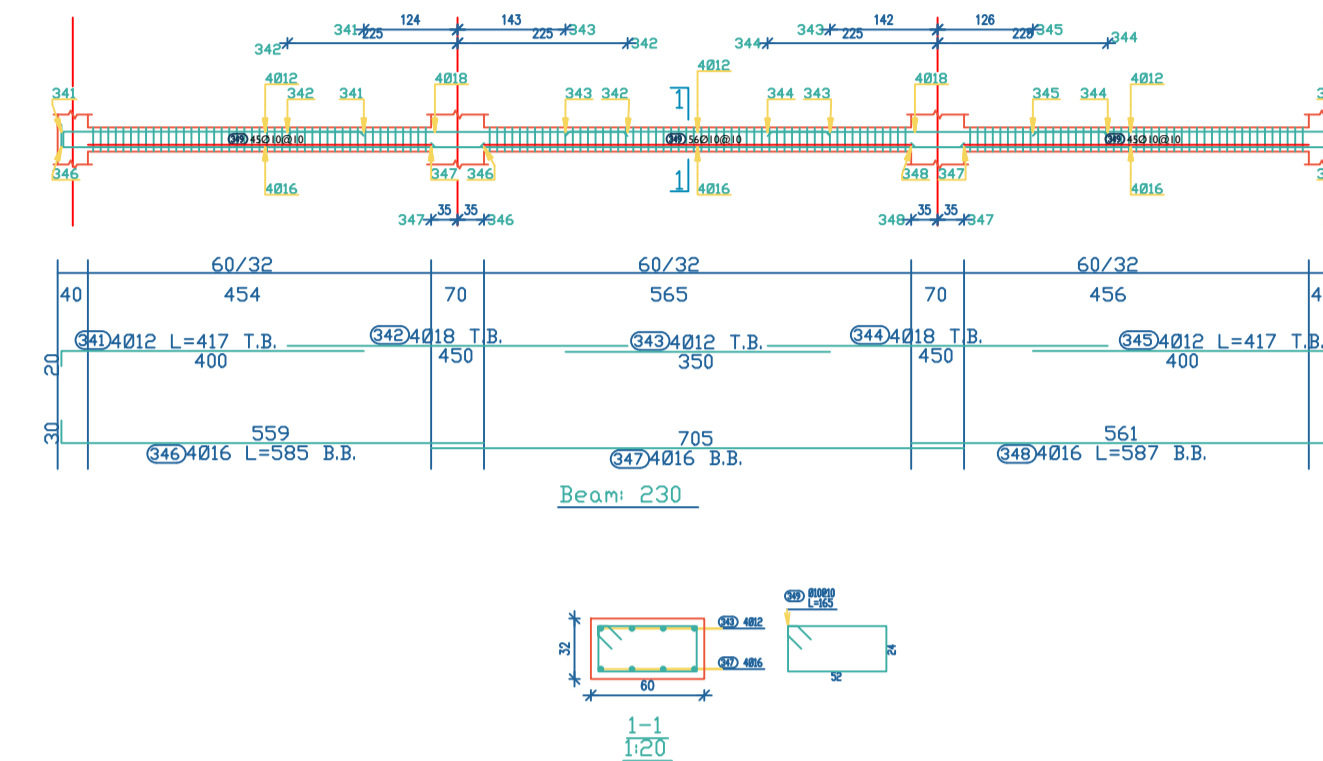
Al Ahd - Structural Design

Graduation Project

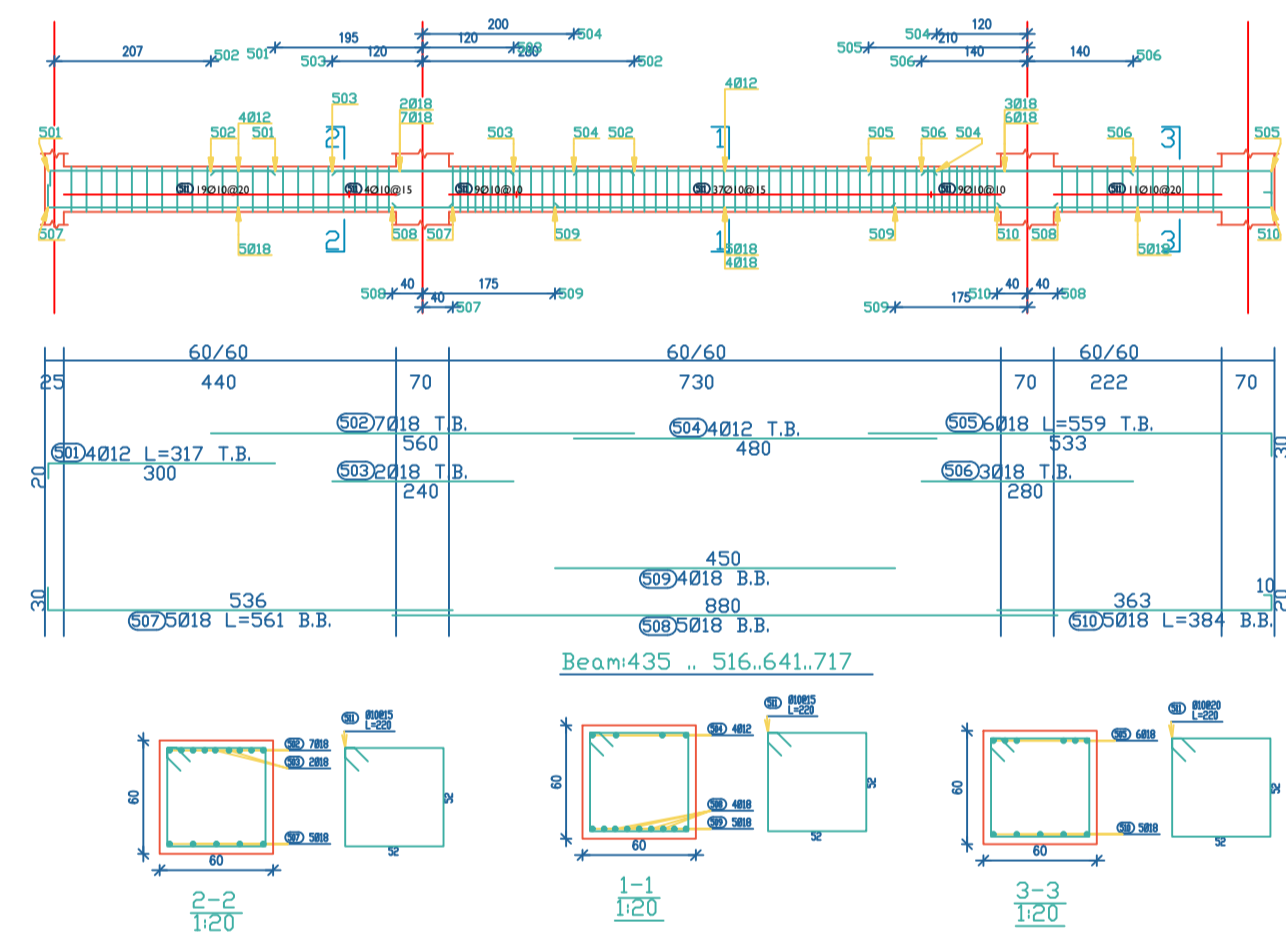
Beam:440 ..500..634..716



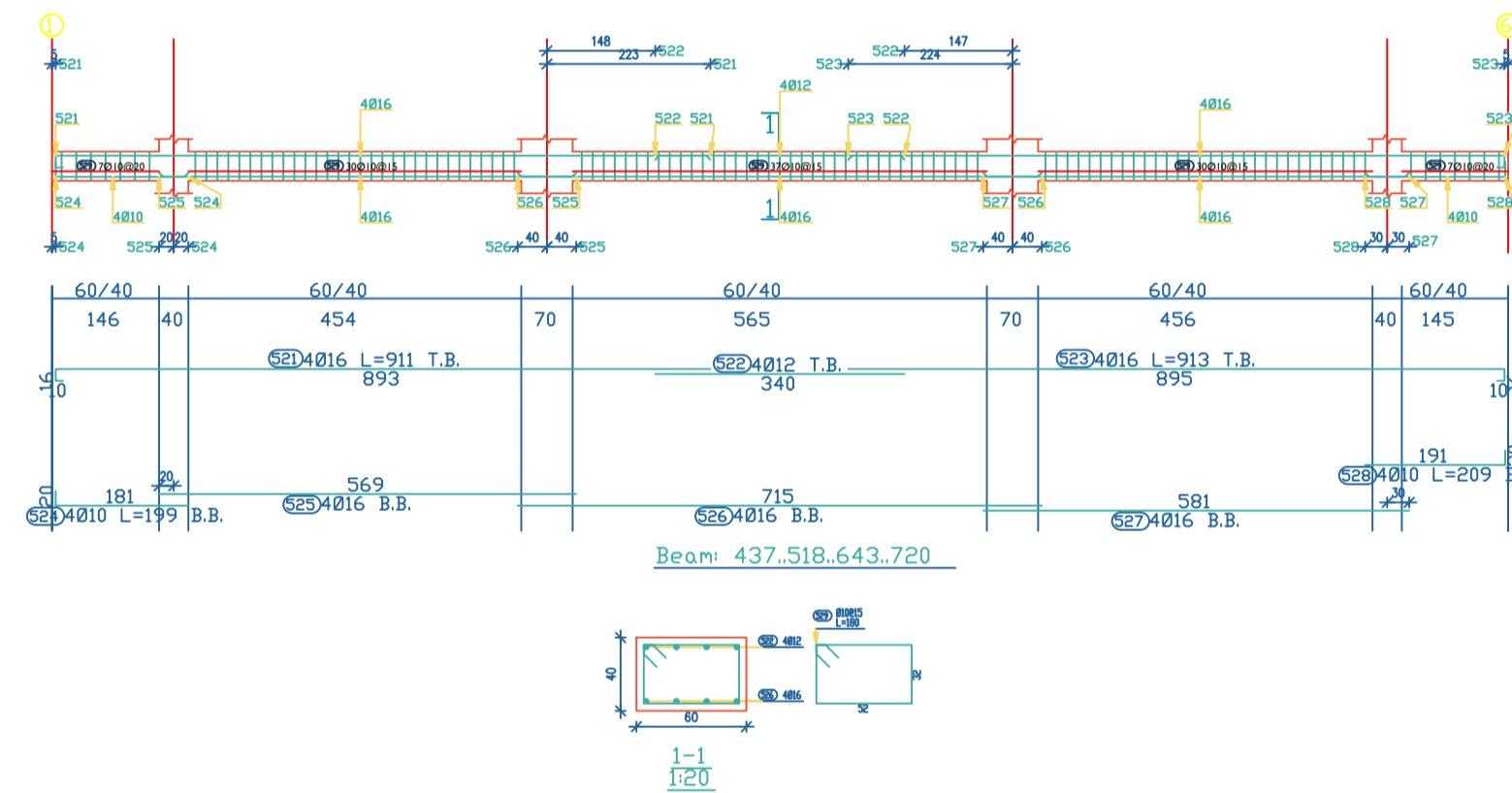
Beam: 230



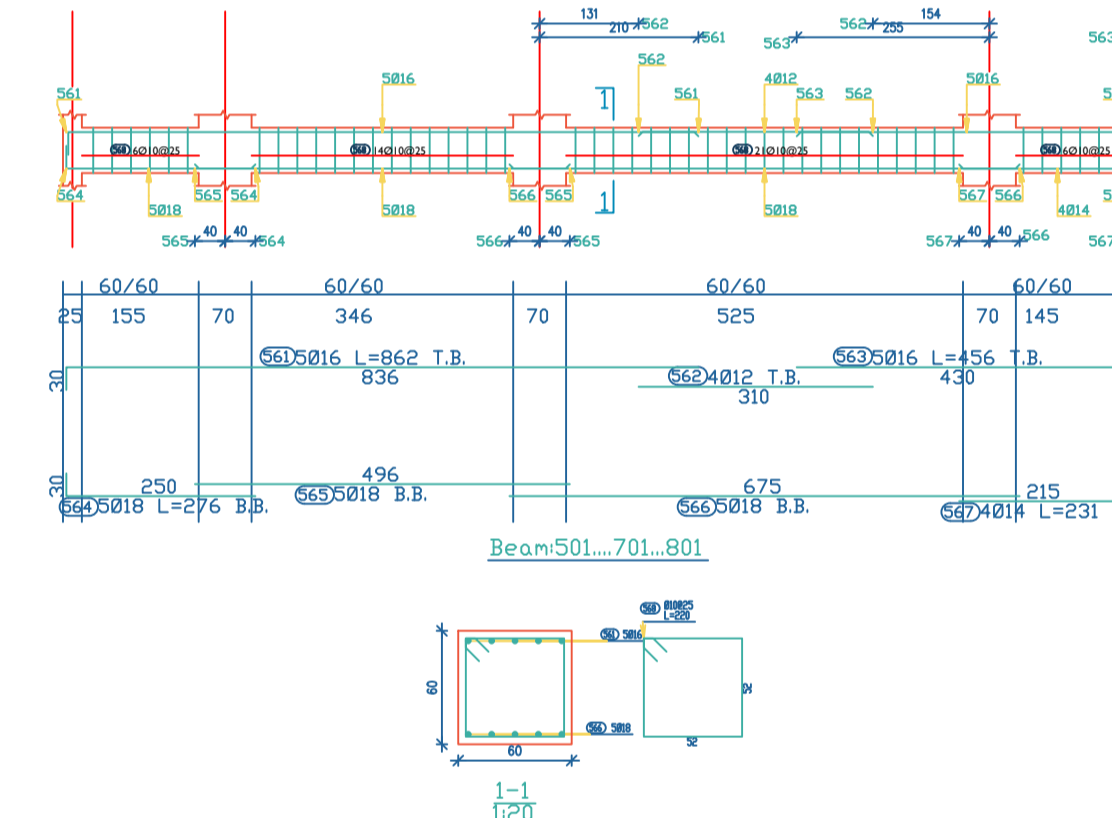
Beam:435 .. 516..641..717



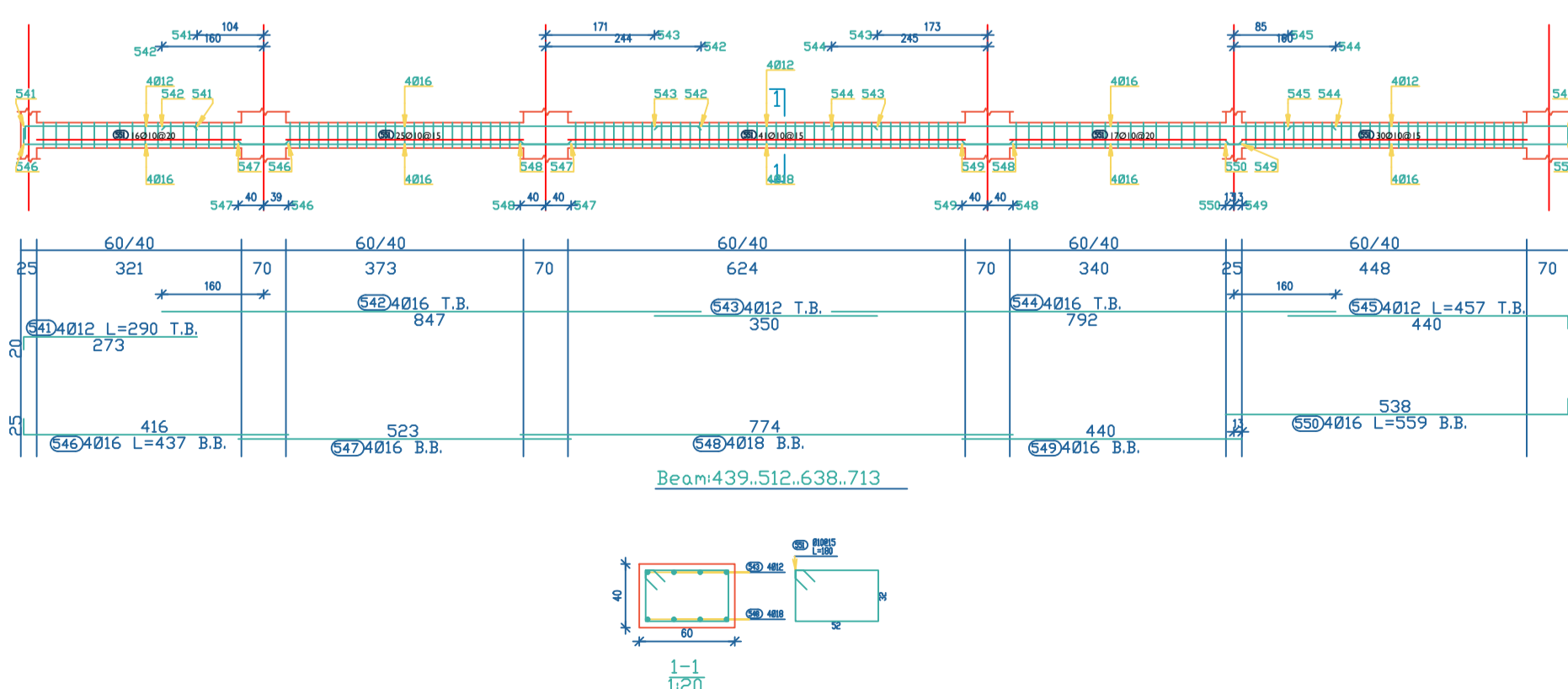
Beam: 437..518..643..720



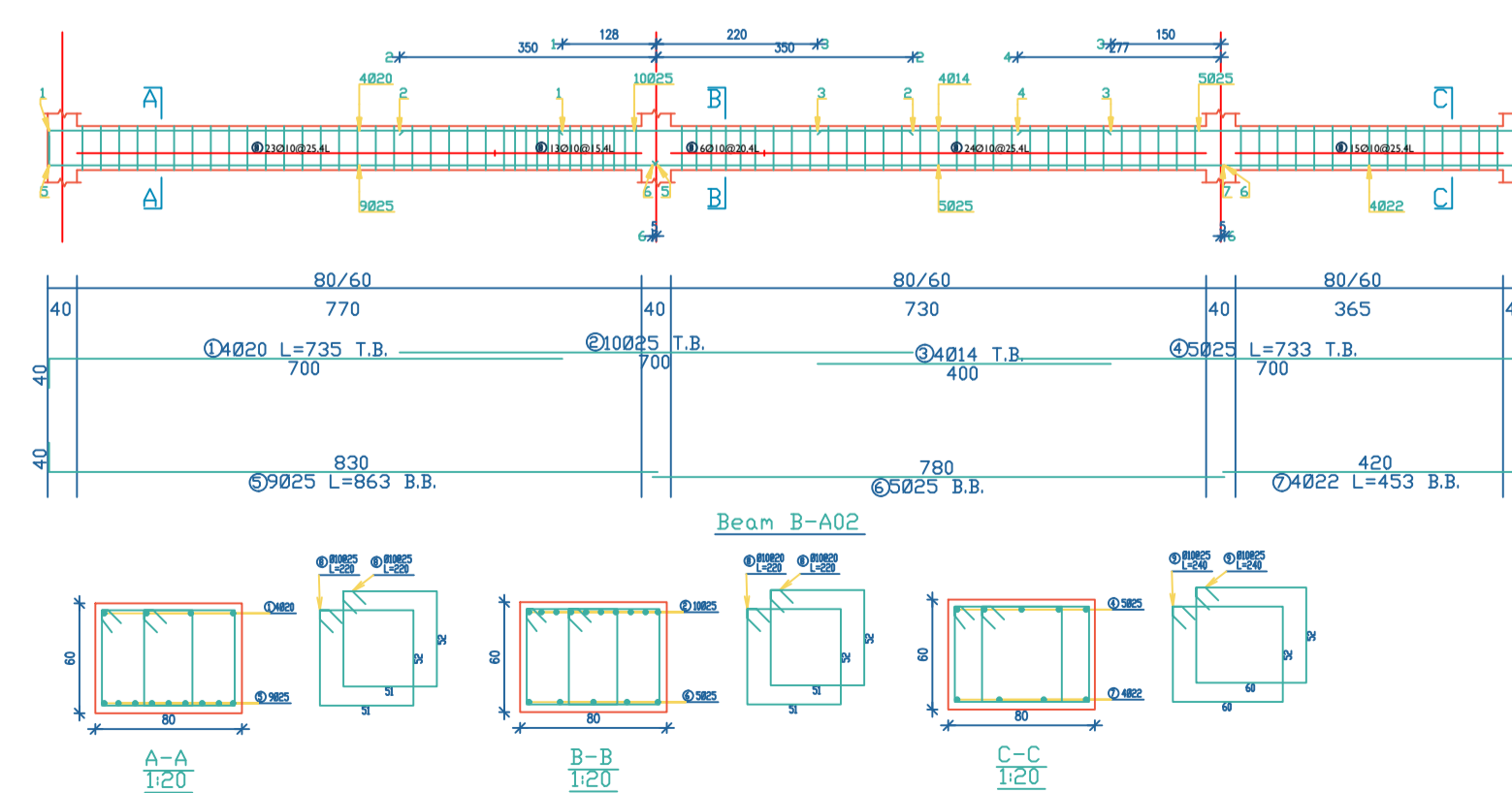
Beam:501...701...801



Beam:439..512..638..713



Beam B-A02



TITLE

BEAMS DETAILING

SUPERVISOR

Eng. Inas Shweki

DONE BY

Ahmad Tamimi
Ismail Abu Dawod
Osama Qawasma

SCALE

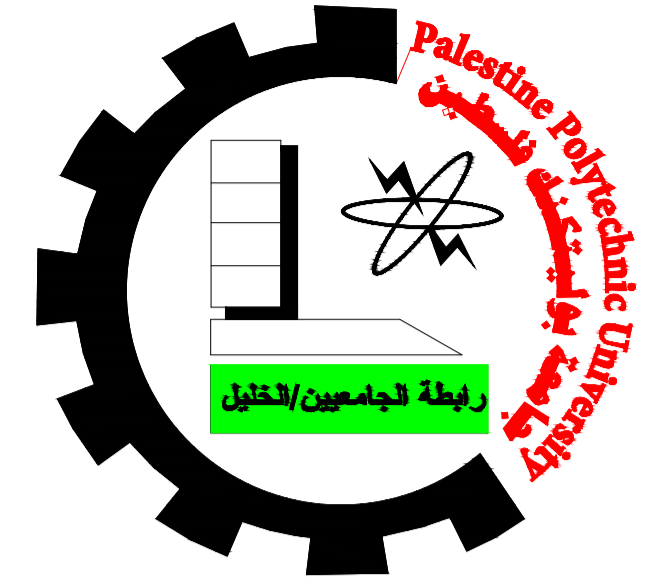
1:100

NO OF DRAW

S 508

DATE

20/01/2024



Palestine Polytechnic University

Engineering College

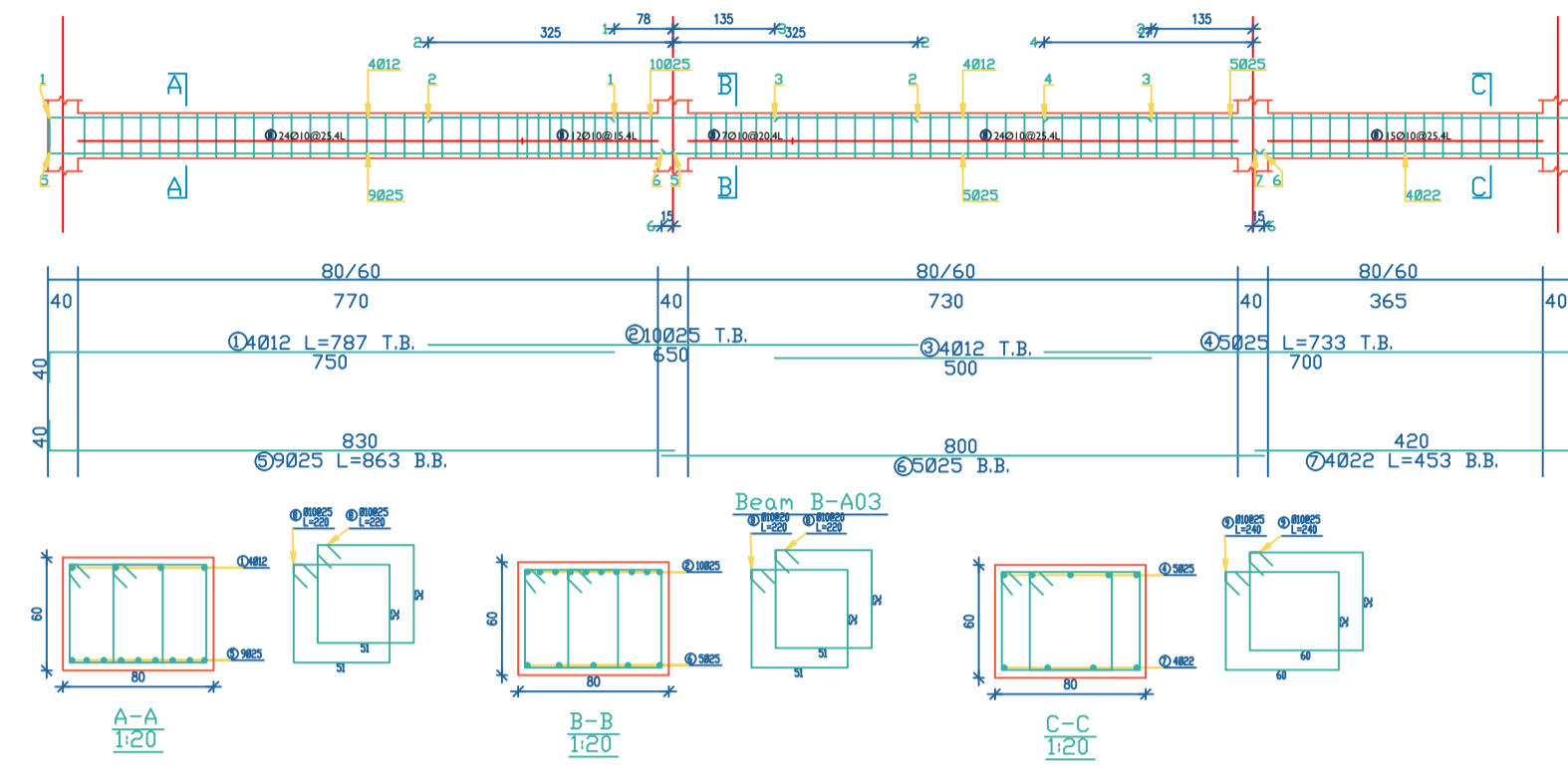
Civil Engineering Department

Building Engineering

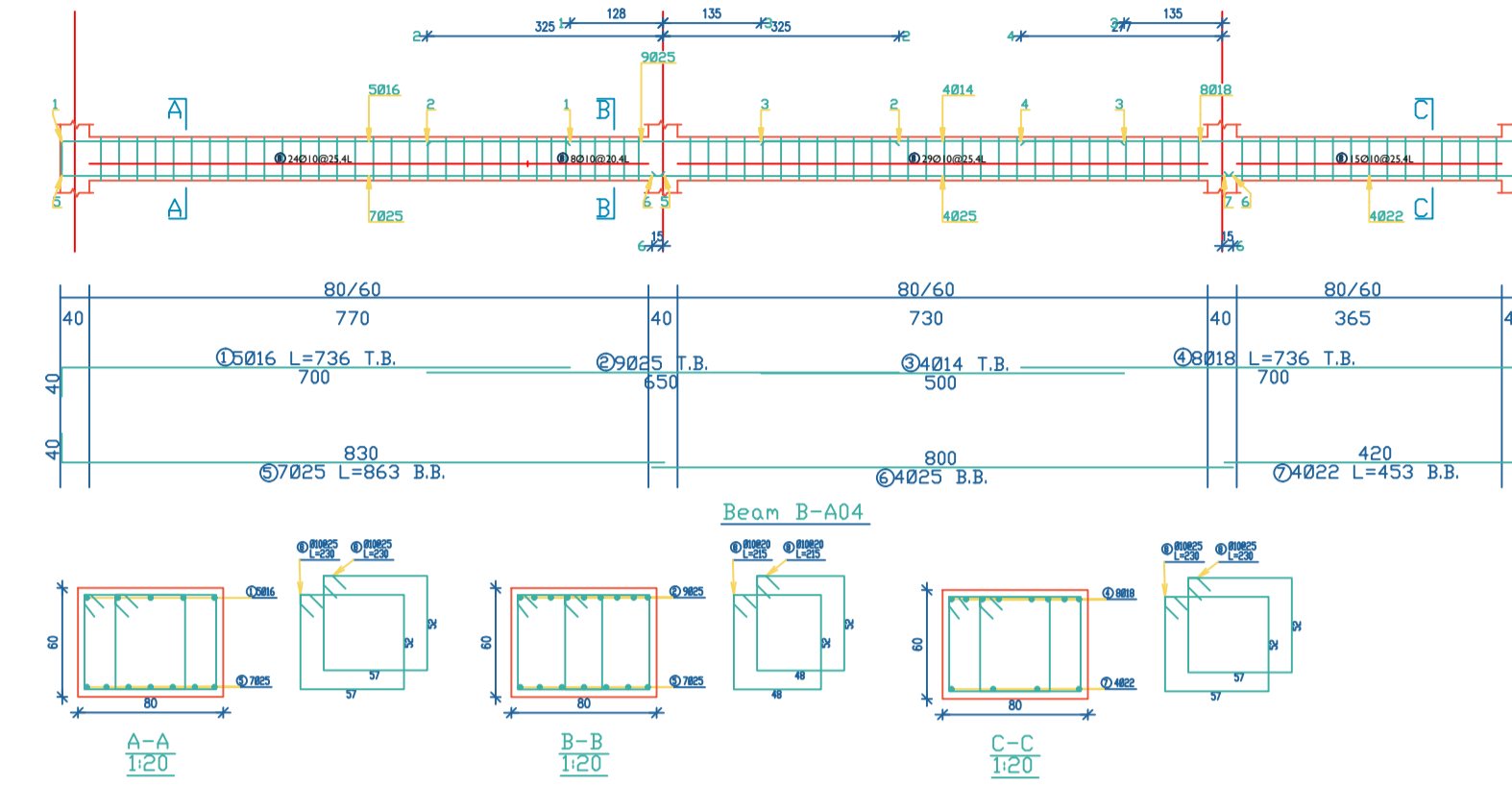
Al Ahd - Structural Design

Graduation Project

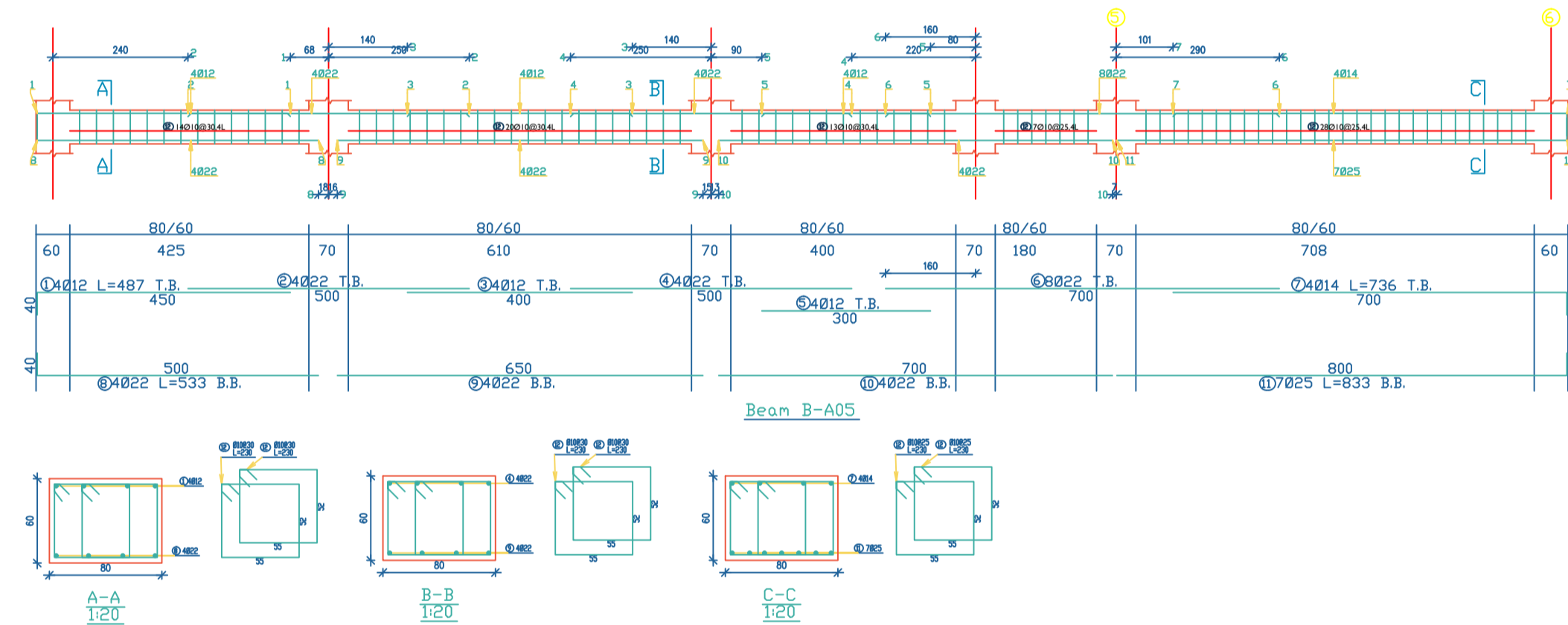
Beam B-A03



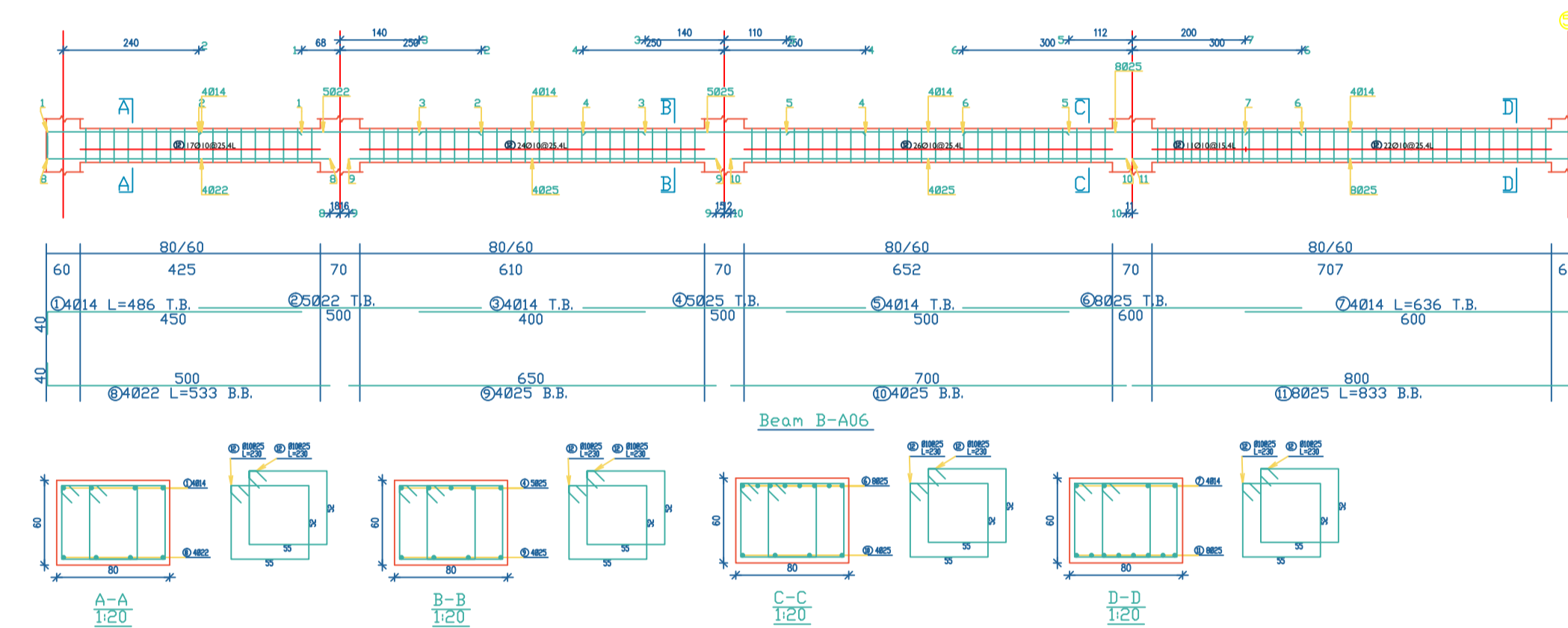
Beam B-A04



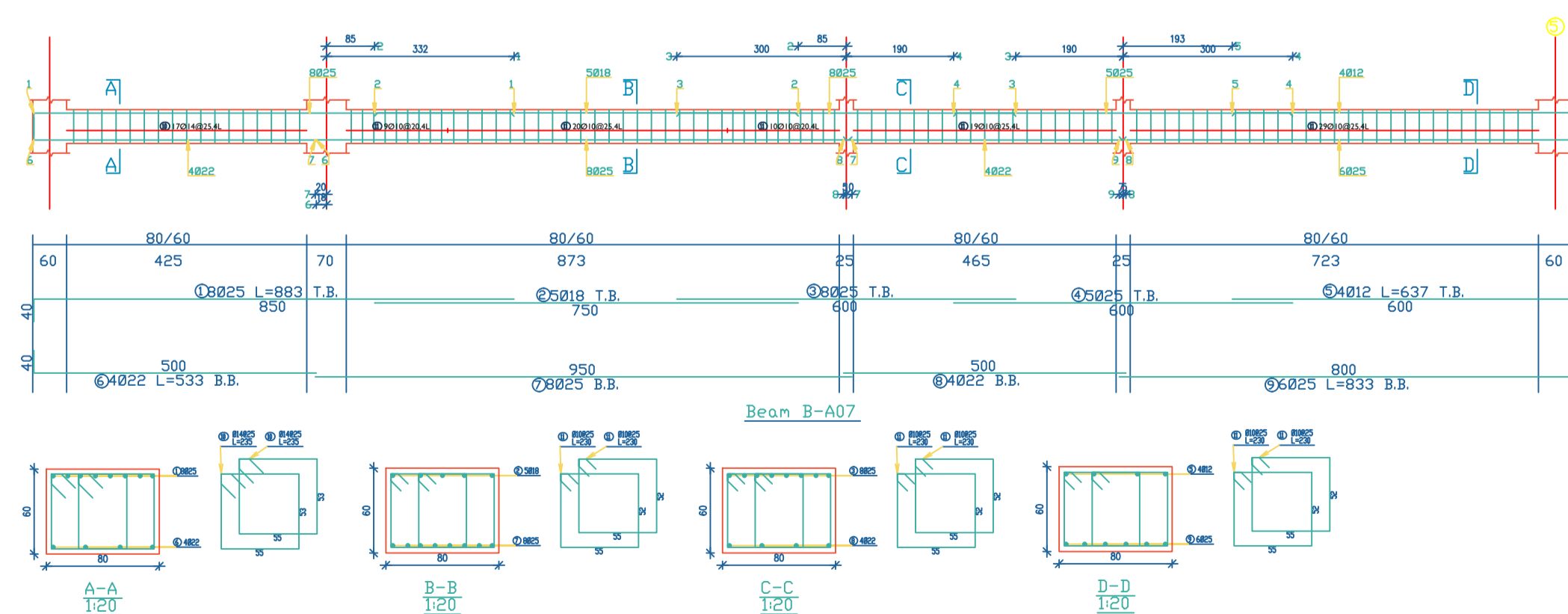
Beam B-A05



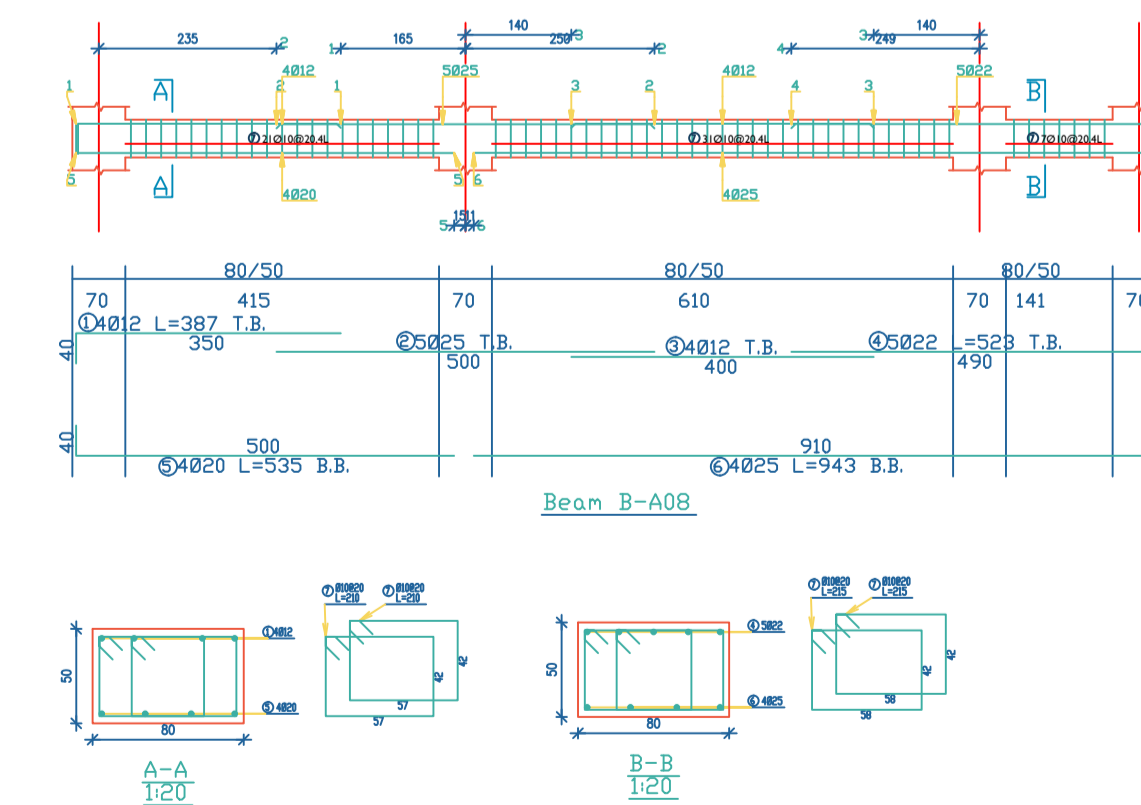
Beam B-A06



Beam B-A07



Beam B-A08



TITLE

BEAMS DETAILING

SUPERVISOR

Eng. Inas Shweki

DONE BY

Ahmad Tamimi
Ismail Abu Dawod
Osama Qawasma

SCALE

1:100

NO OF DRAW

S 509

DATE

20/01/2024



Palestine Polytechnic University

Engineering College

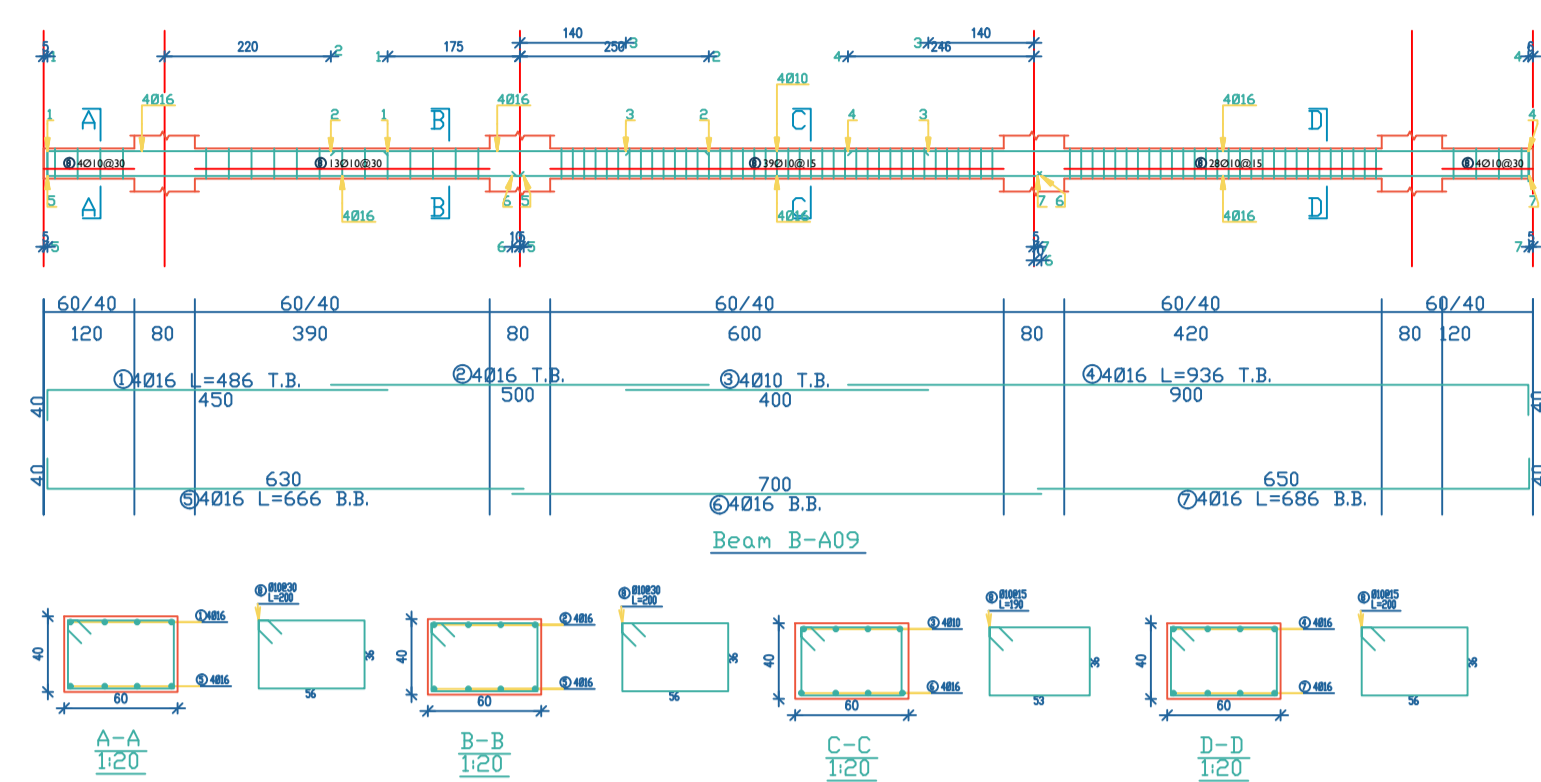
Civil Engineering Department

Building Engineering

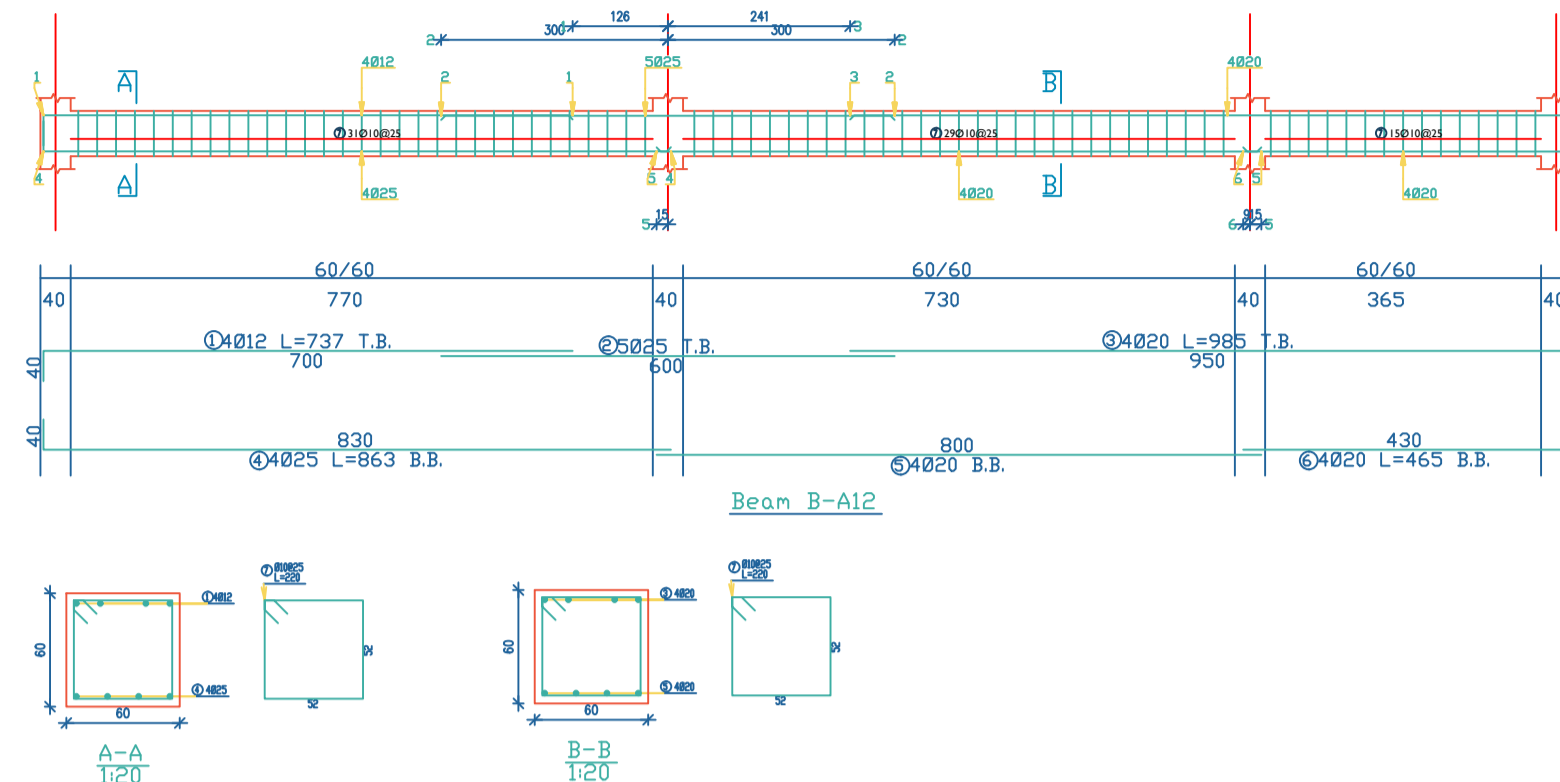
Al Ahd - Structural Design

Graduation Project

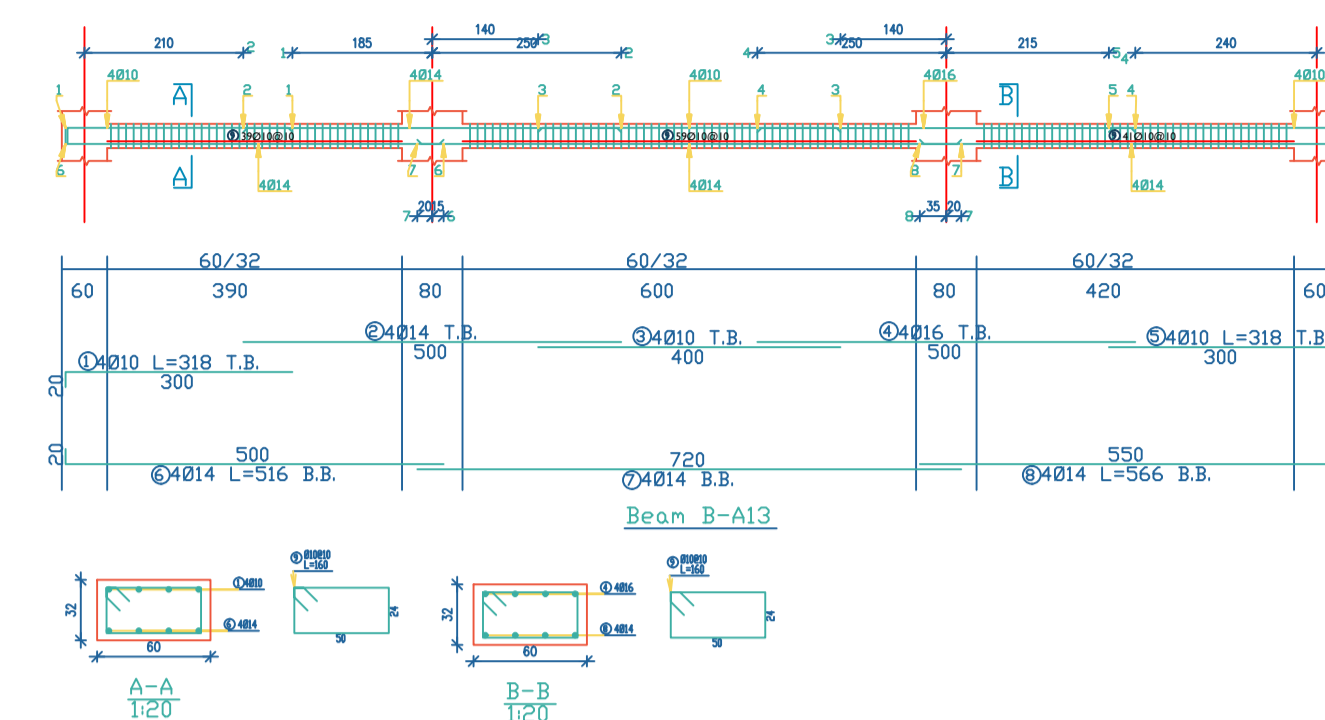
Beam B-A09



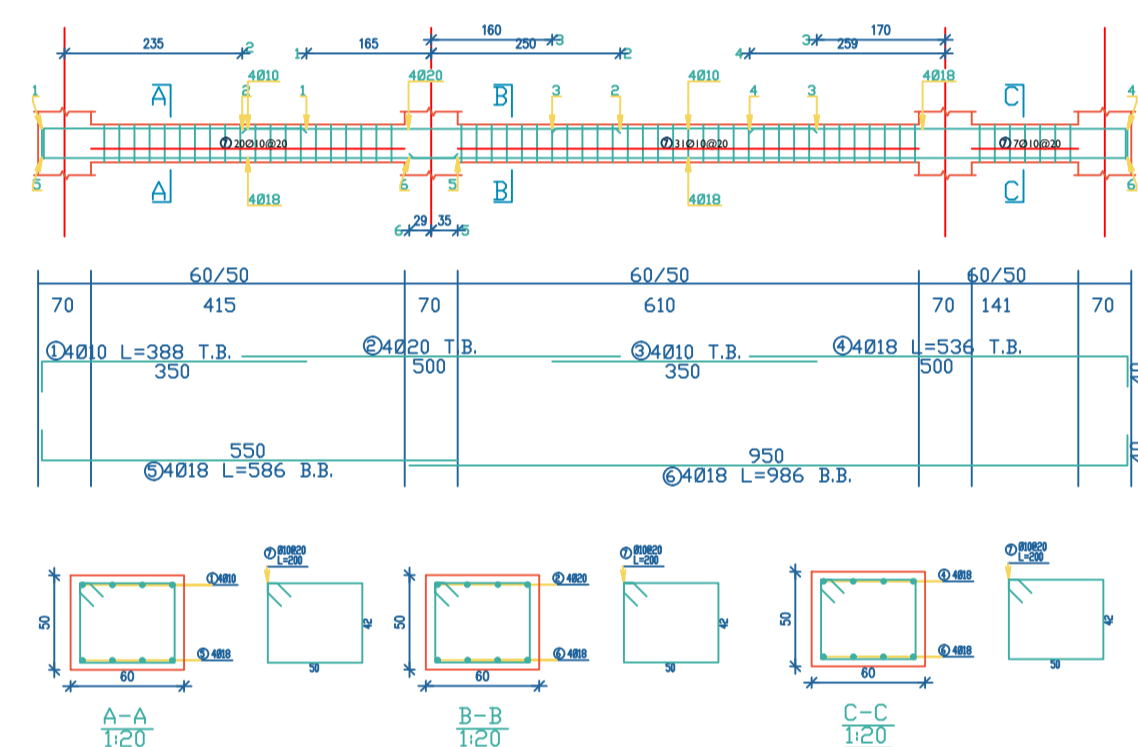
Beam B-A12



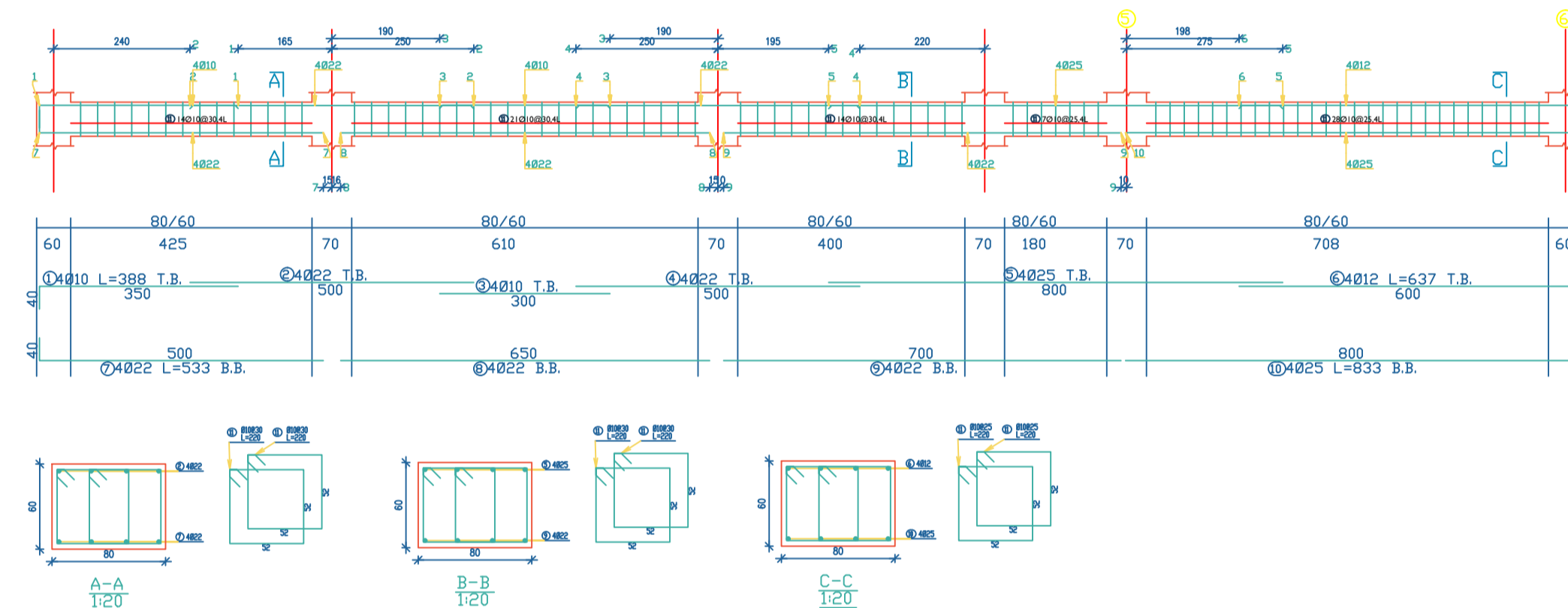
Beam B-A13



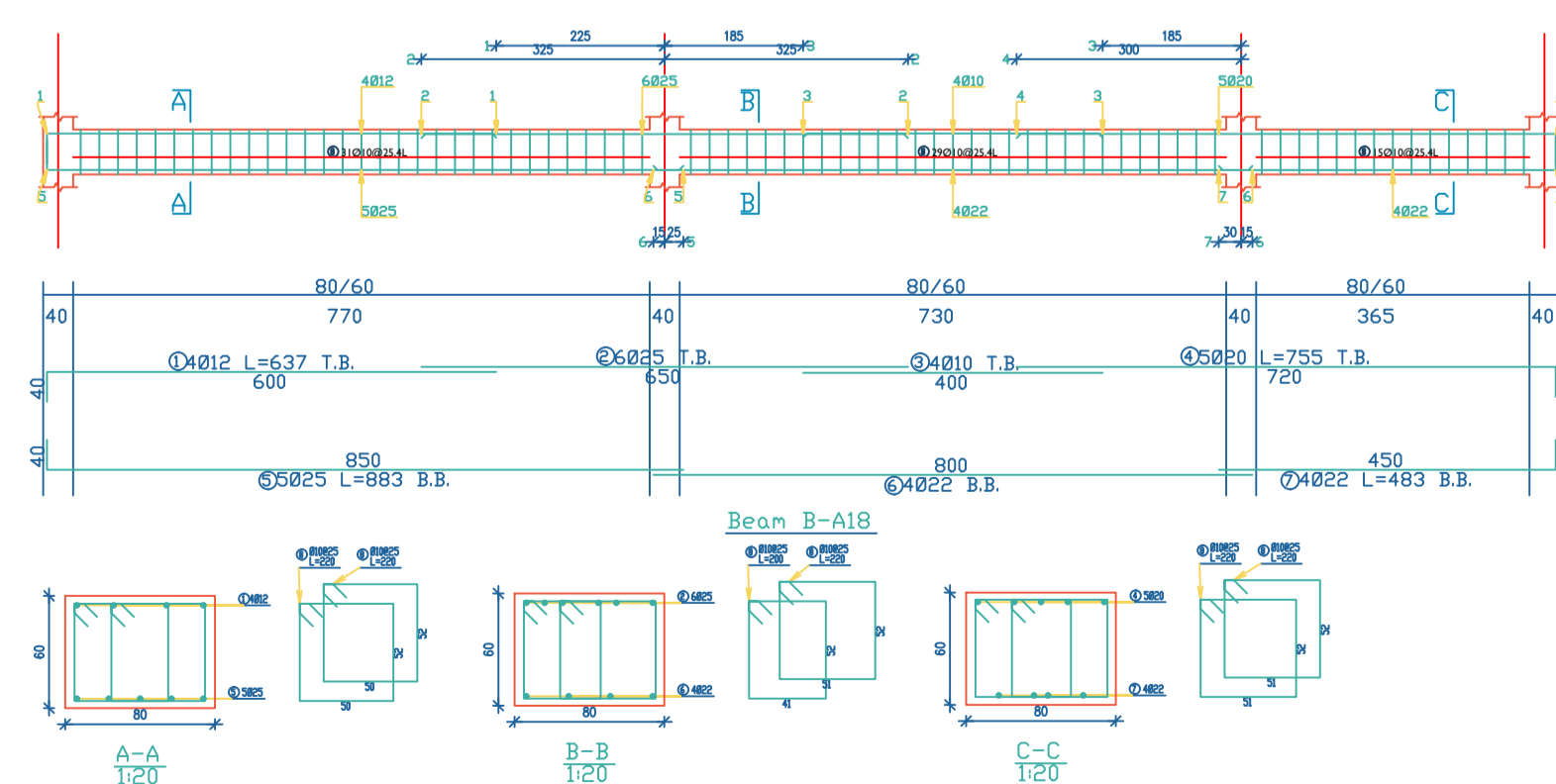
Beam B-A15



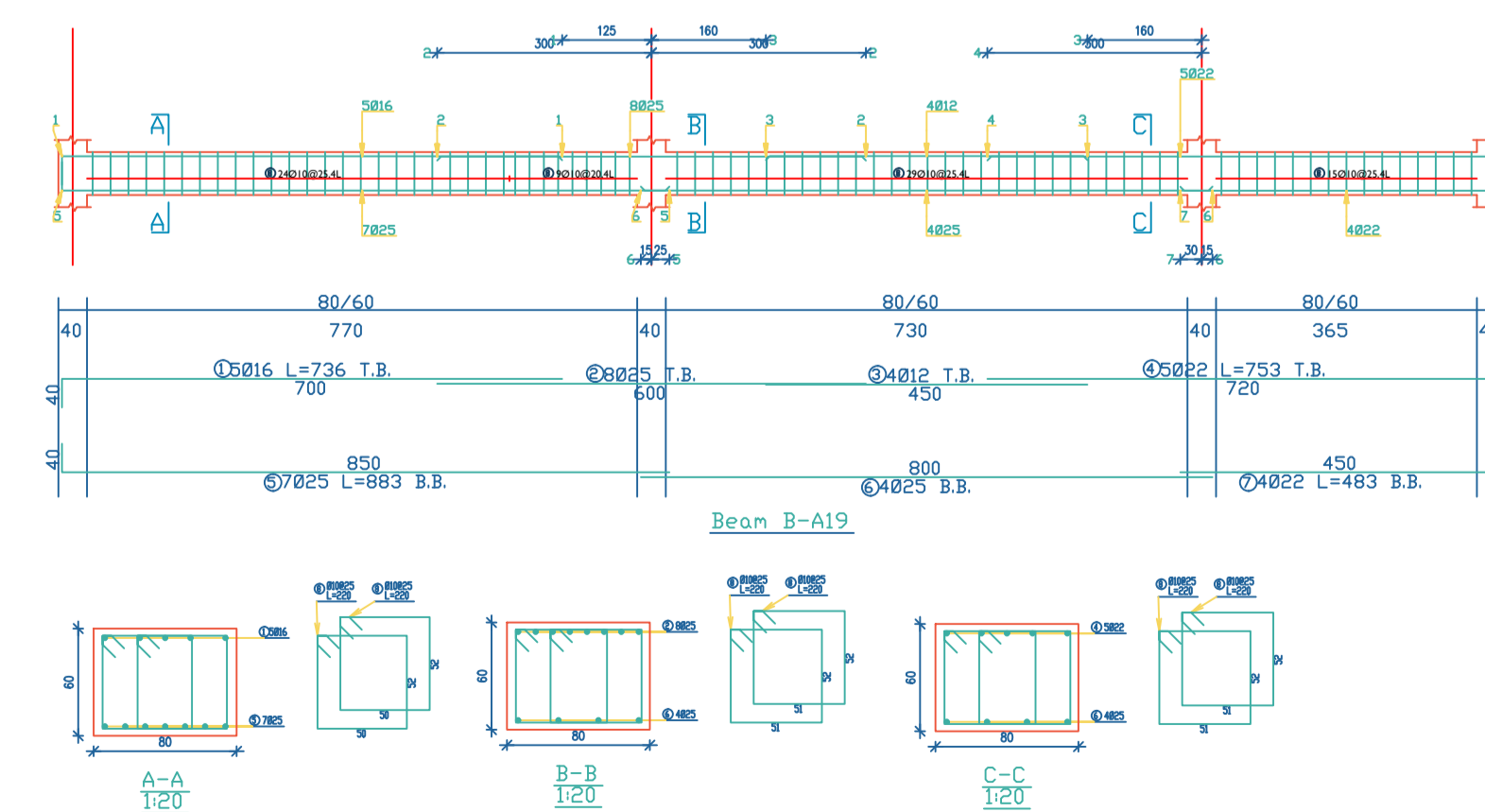
Beam B-A14



Beam B-A18



Beam B-A19



TITLE

BEAMS DETAILING

SUPERVISOR

Eng. Inas Shweki

DONE BY

Ahmad Tamimi
Ismail Abu Dawod
Osama Qawasma

SCALE

1:100

NO OF DRAW

S 510

DATE

20/01/2024



Palestine Polytechnic University

Engineering College

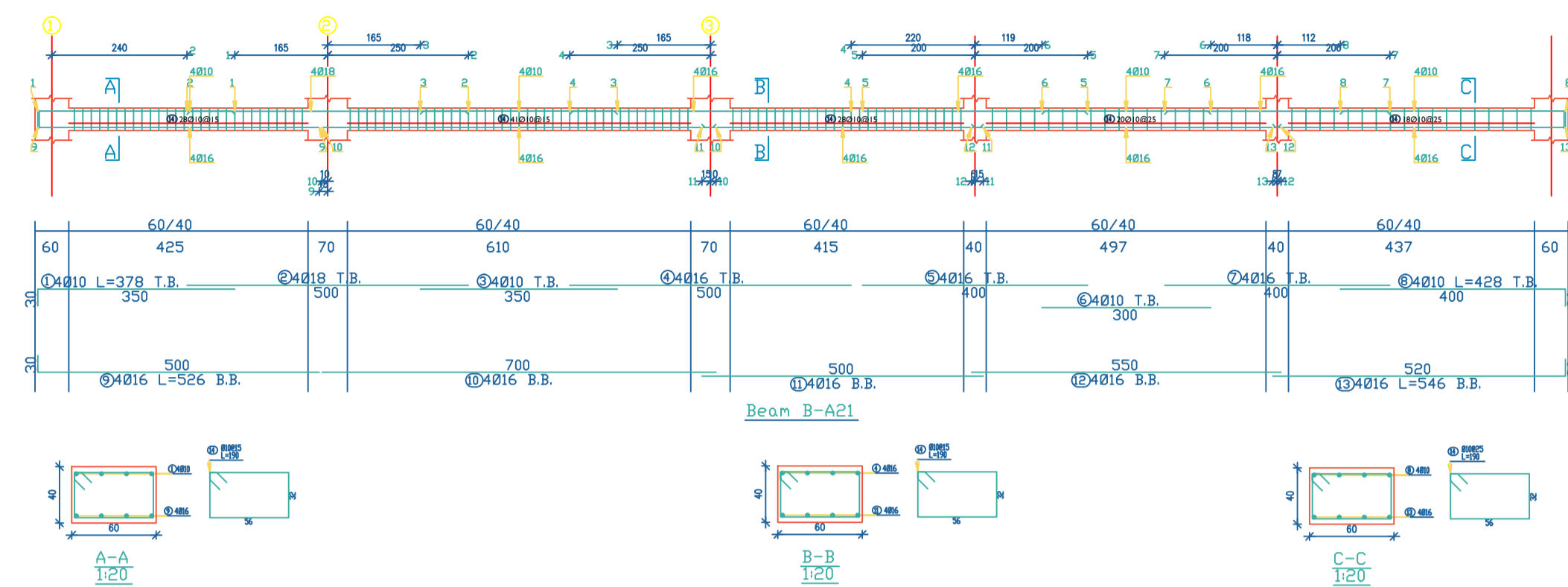
Civil Engineering Department

Building Engineering

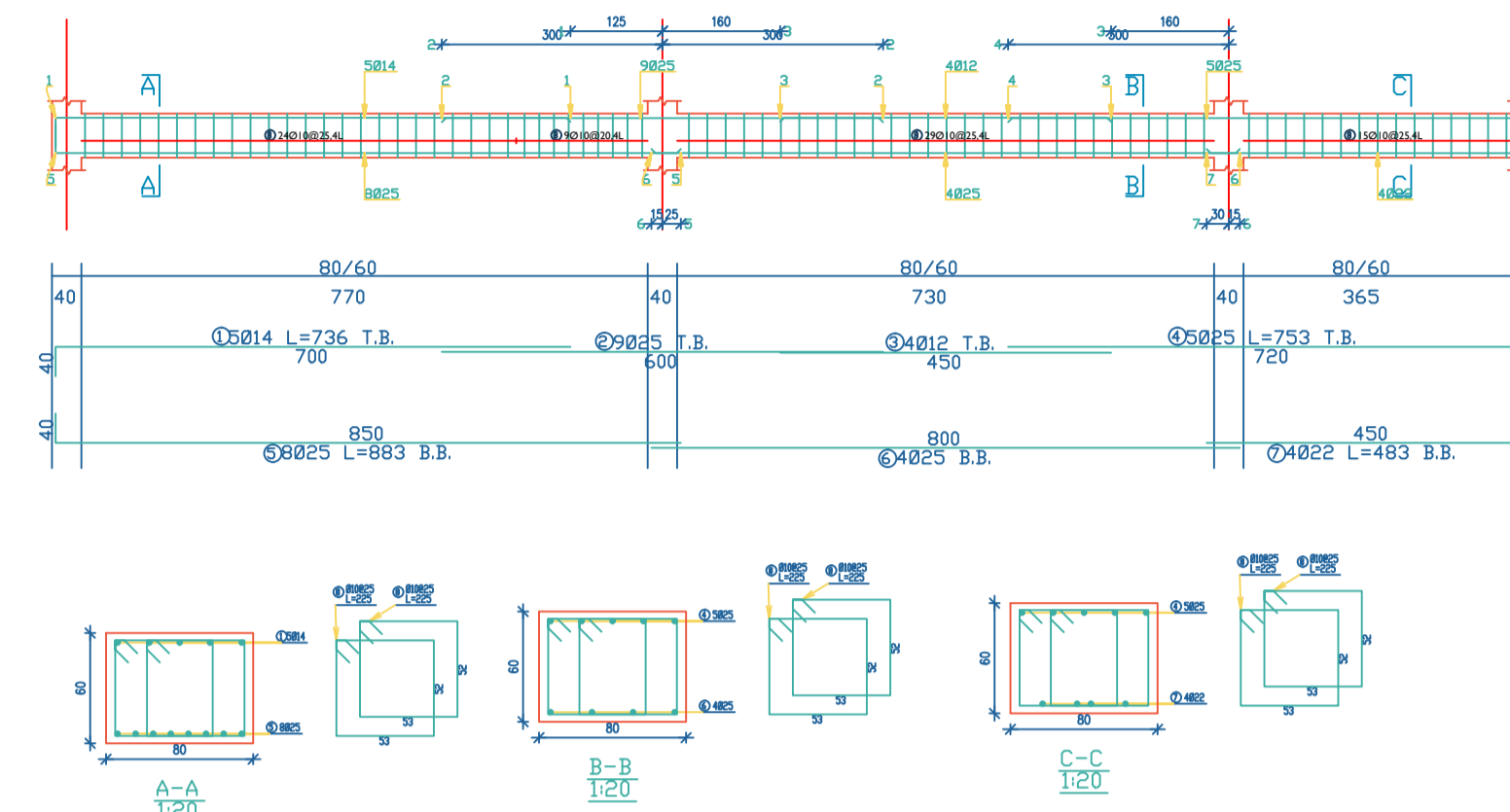
Al Ahd - Structural Design

Graduation Project

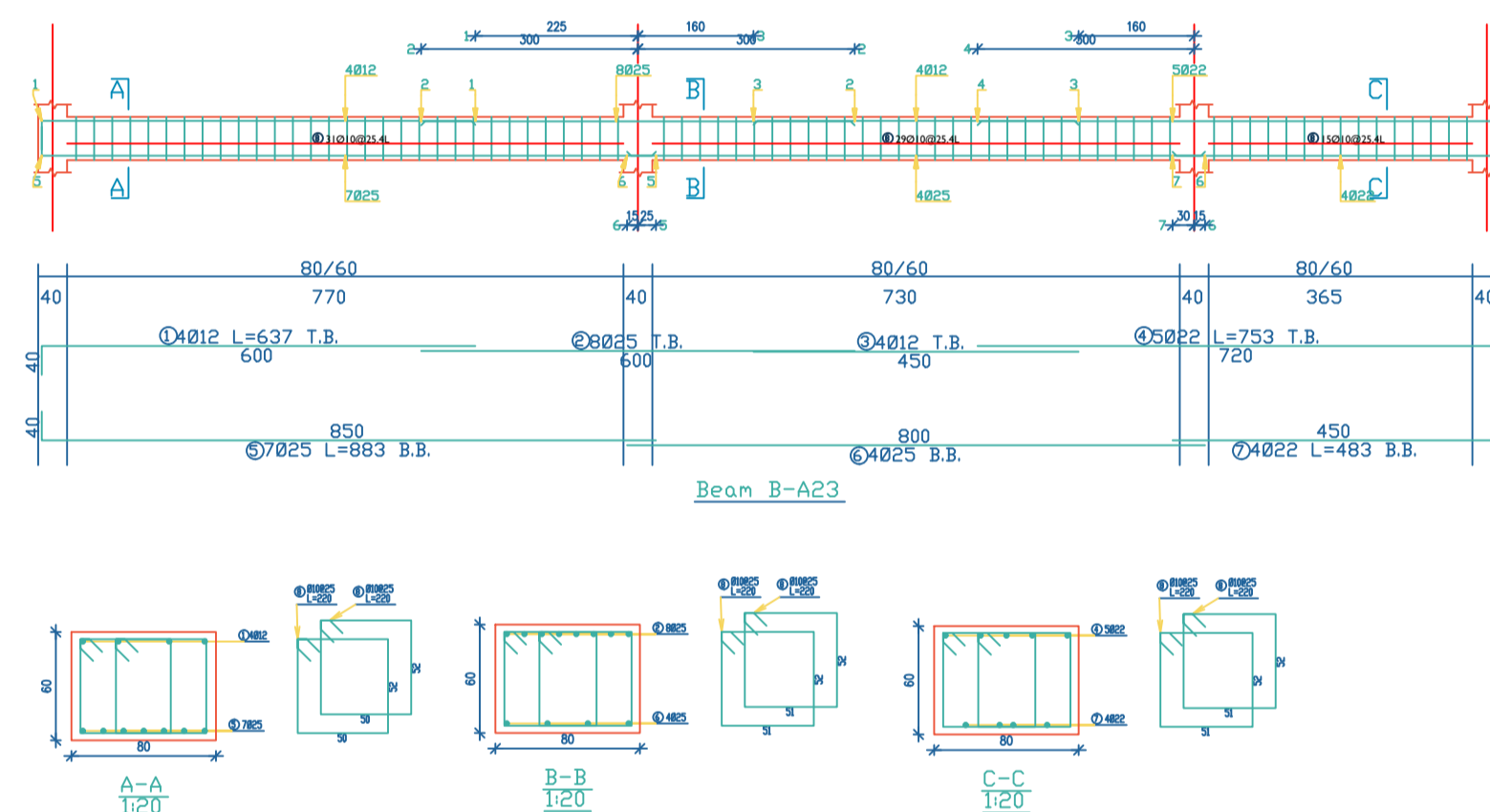
Beam B-A21



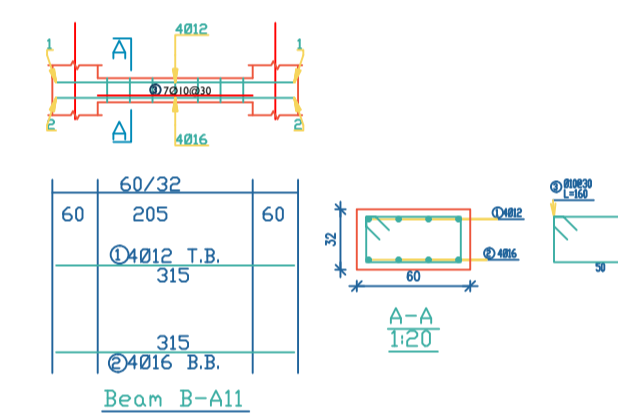
Beam B-A22



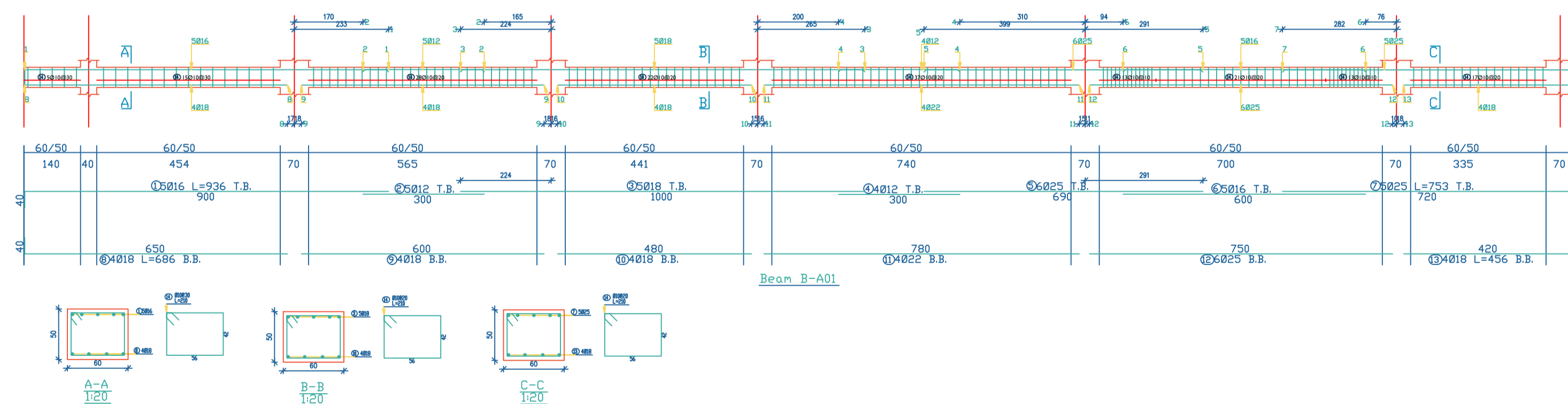
Beam B-A23



Beam B-A11



Beam B-A01



TITLE

BEAMS DETAILING

SUPERVISOR

Eng. Inas Shweki

DONE BY

Ahmad Tamimi
Ismail Abu Dawod
Osama Qawasma

SCALE 1:100

NO OF DRAW S 511

DATE 20/01/2024



Palestine Polytechnic University

Engineering College

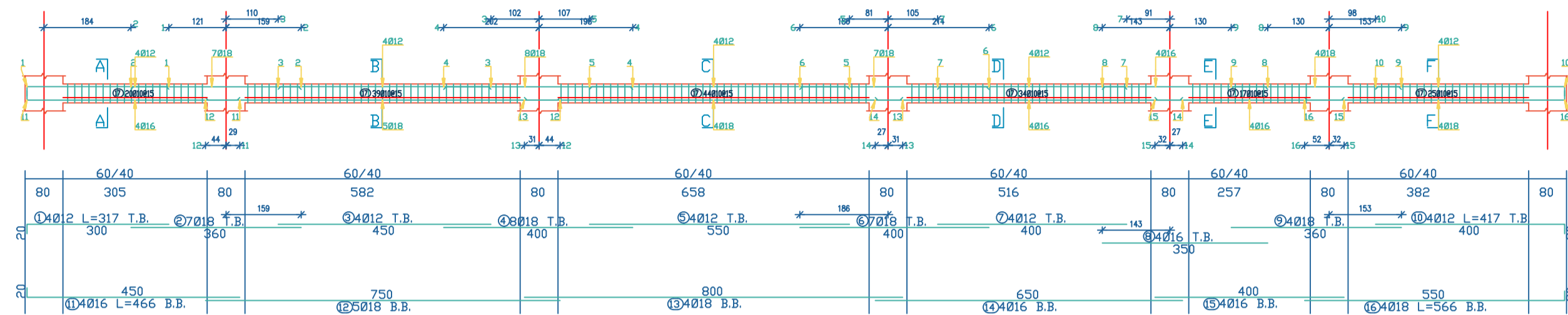
Civil Engineering Department

Building Engineering

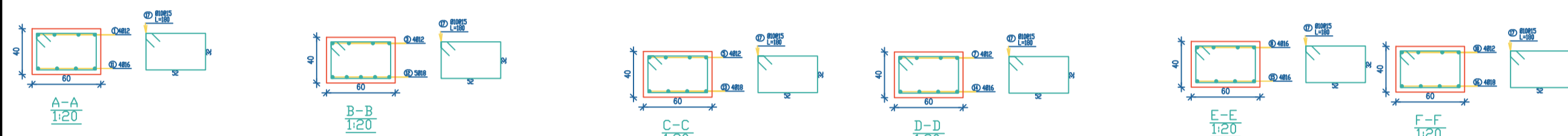
Al Ahd - Structural Design

Graduation Project

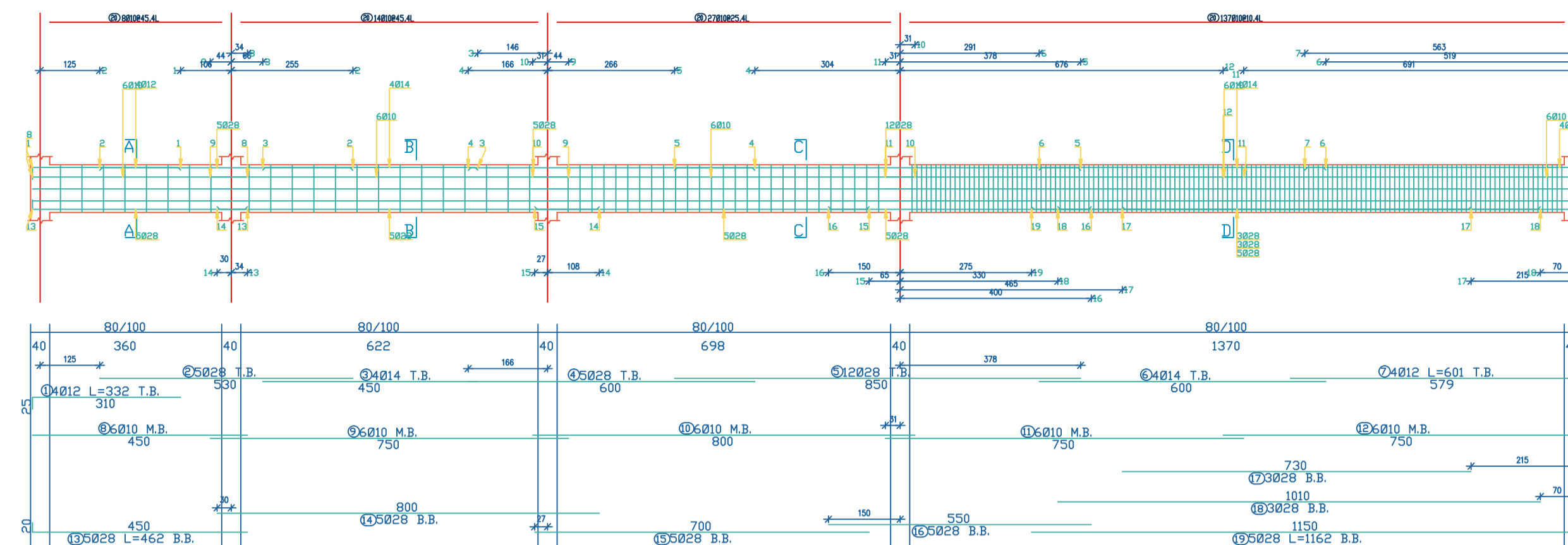
Beam:204



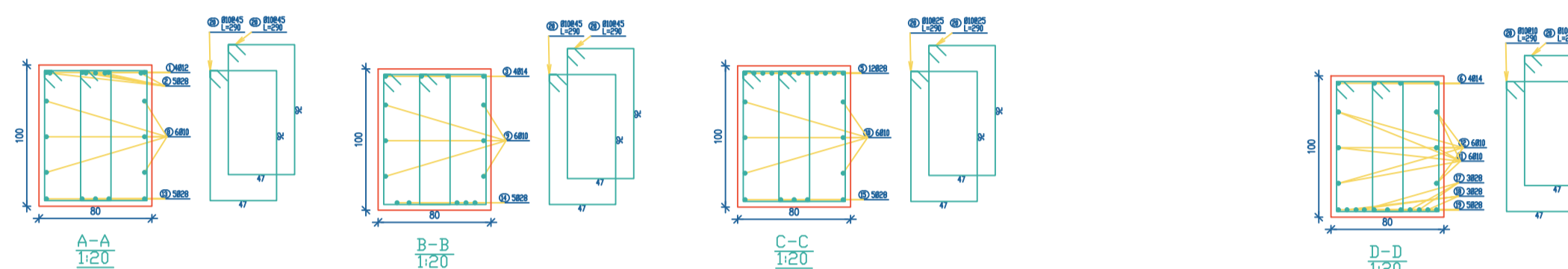
204



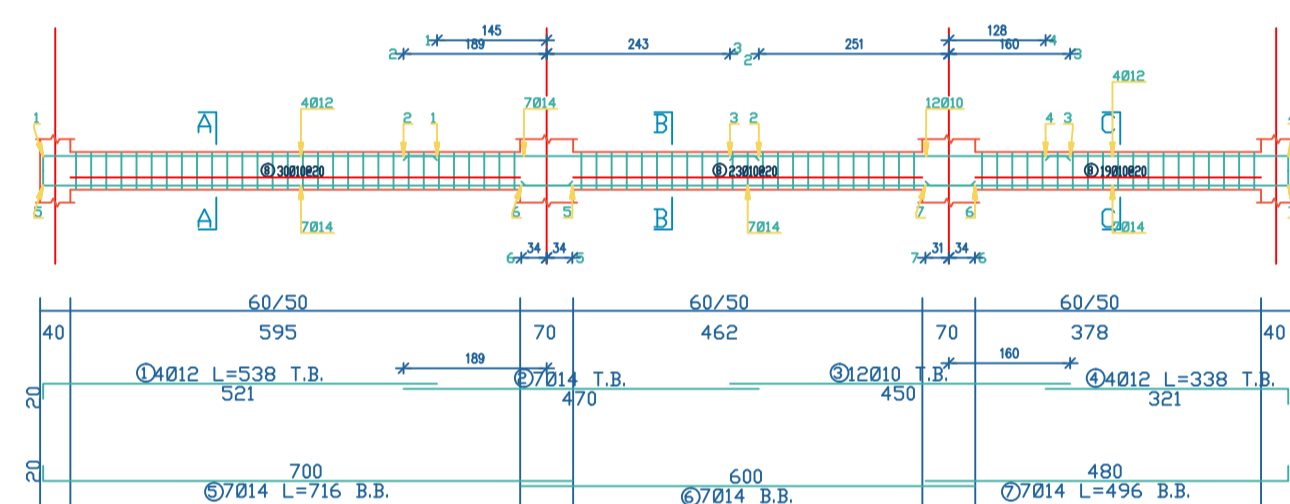
Beam:602



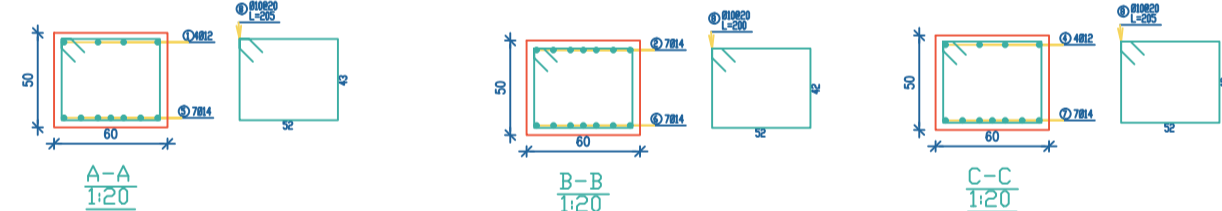
Beam:602



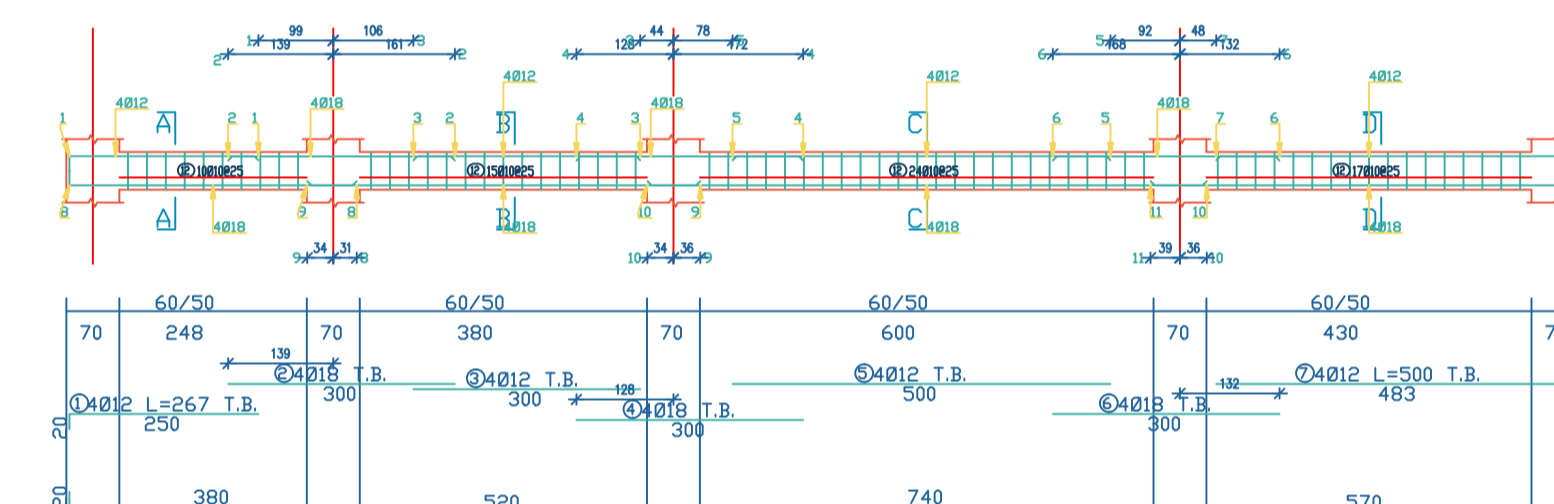
Beam:232



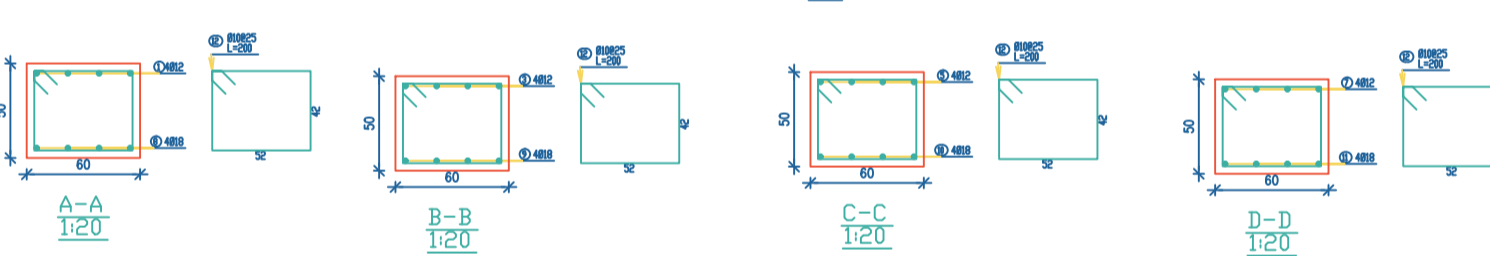
Beam:232



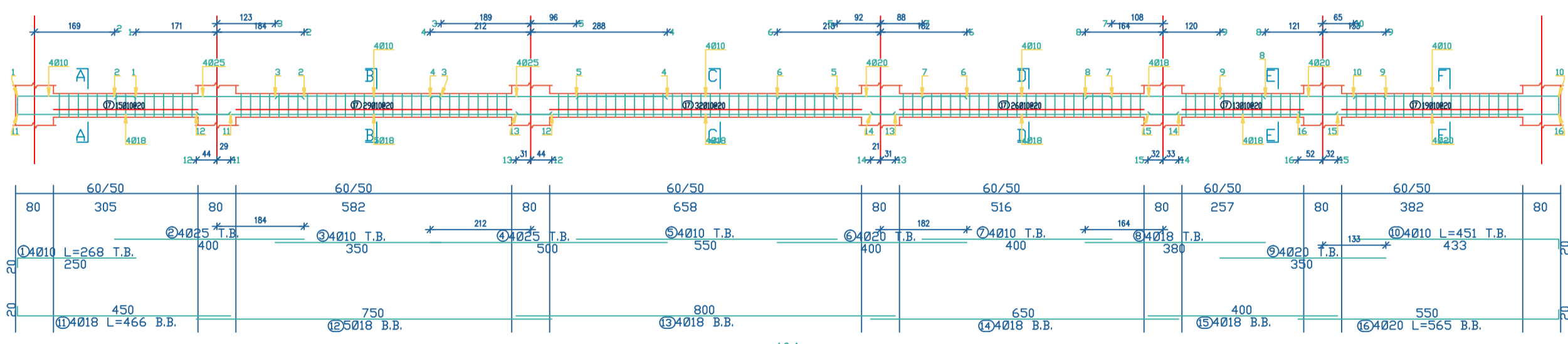
Beam:30



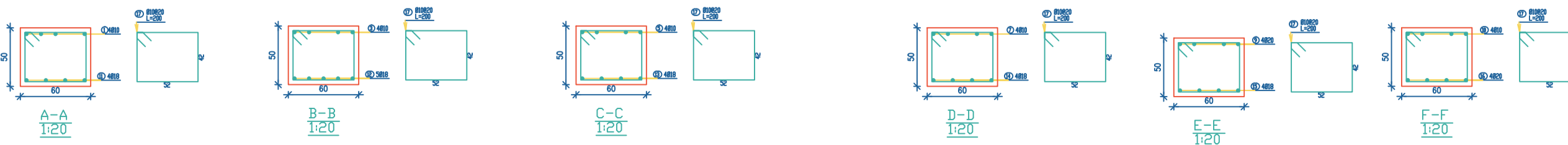
30



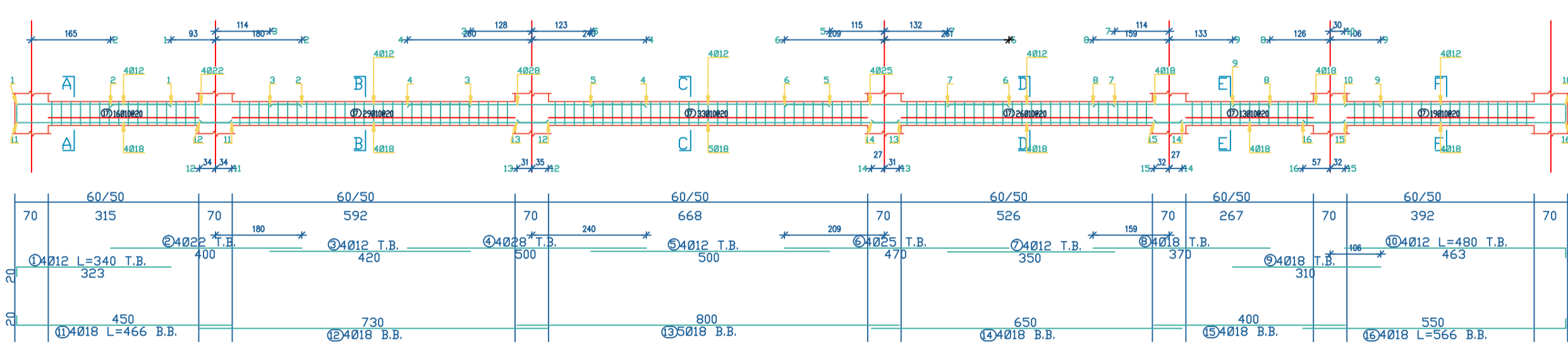
Beam:404



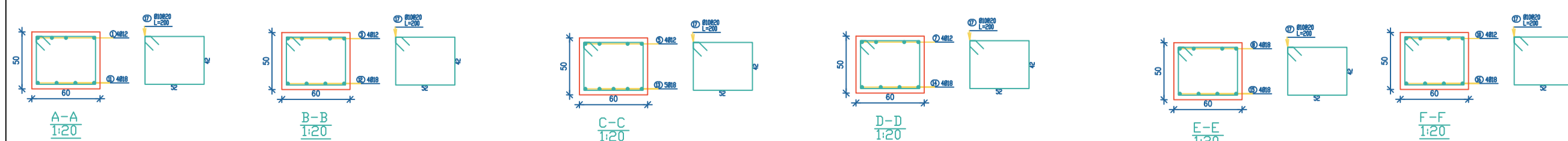
404



Beam:401



Beam:401



TITLE

BEAMS DETAILING

SUPERVISOR

Eng. Inas Shweki

DONE BY

Ahmad Tamimi
Ismail Abu Dawod
Osama Qawasma

SCALE 1:100

NO OF DRAW S 513

DATE 20/01/2024



Palestine Polytechnic University

Engineering College

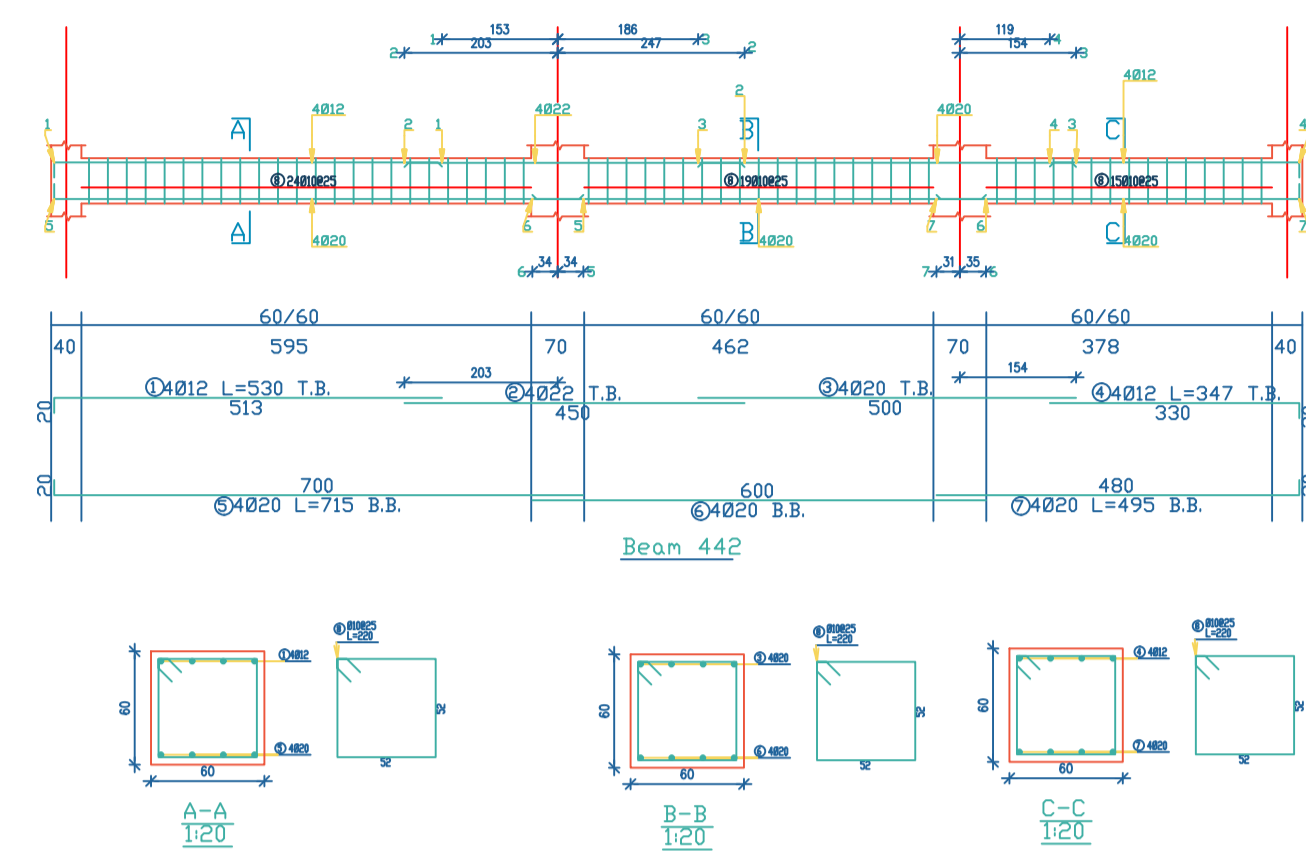
Civil Engineering Department

Building Engineering

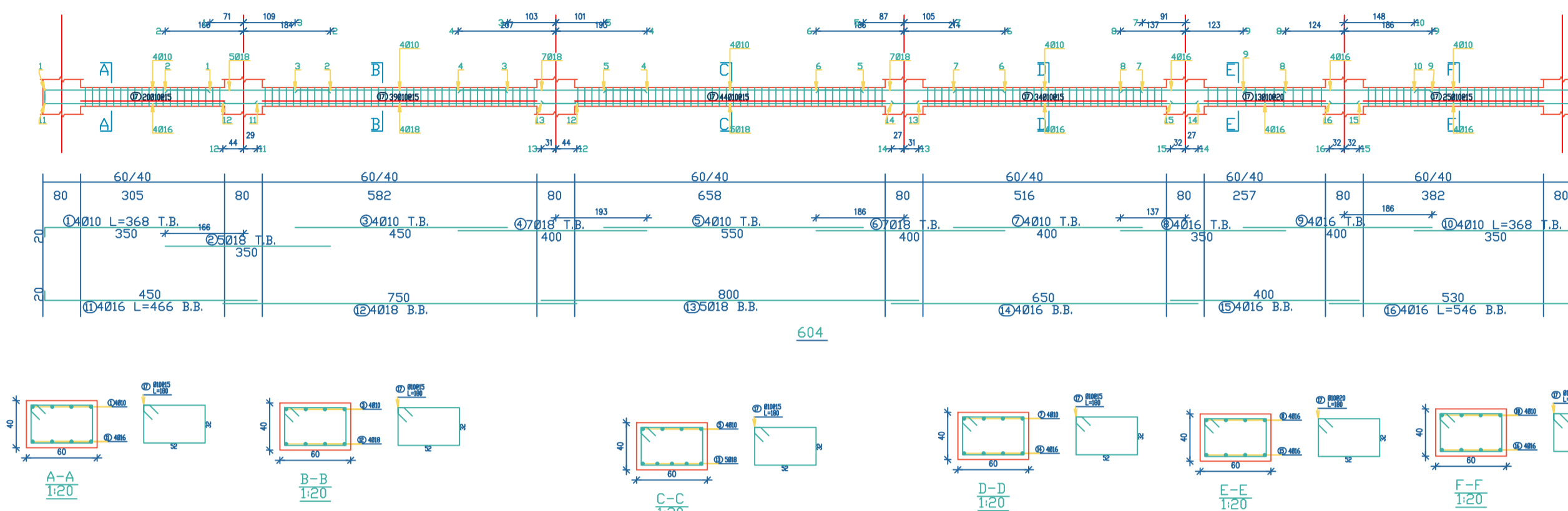
Al Ahd - Structural Design

Graduation Project

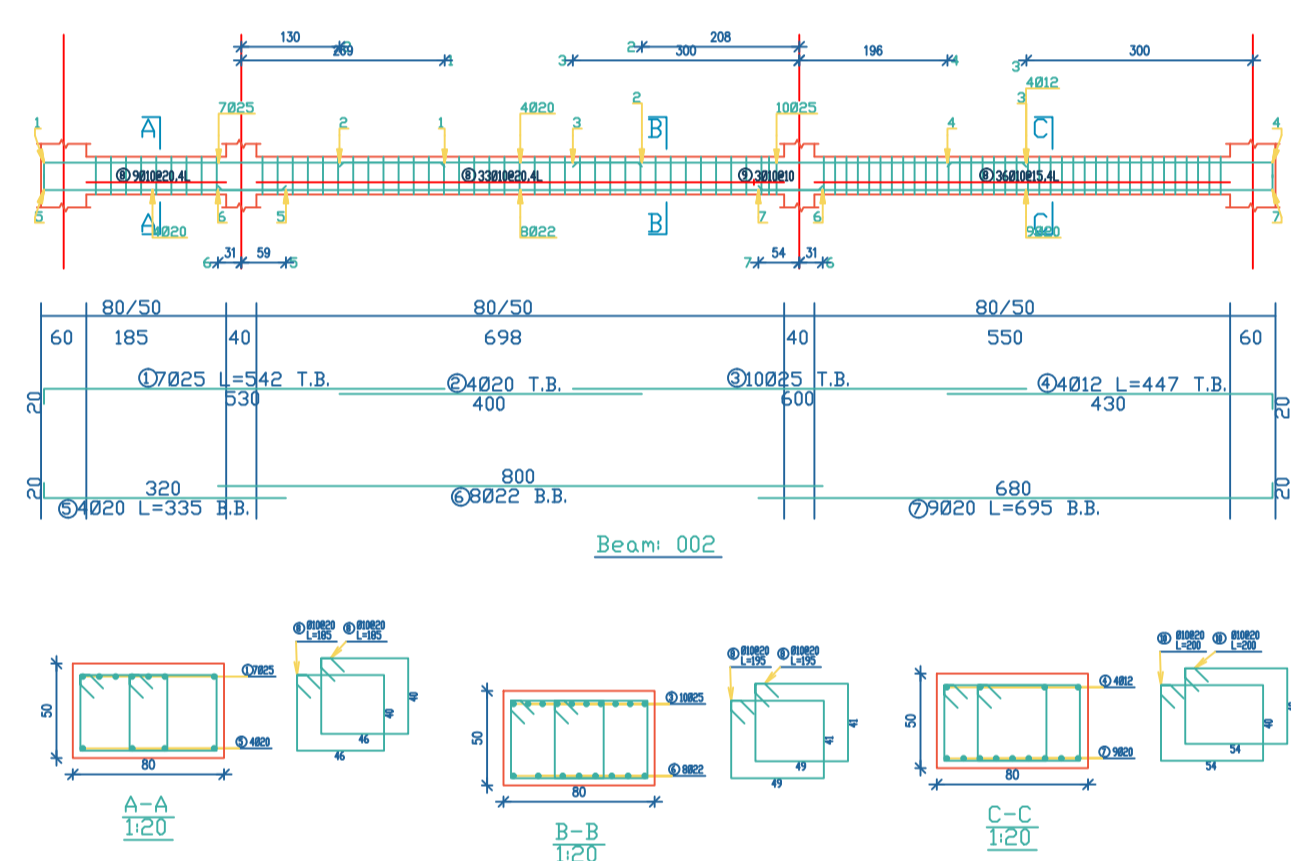
Beam:442



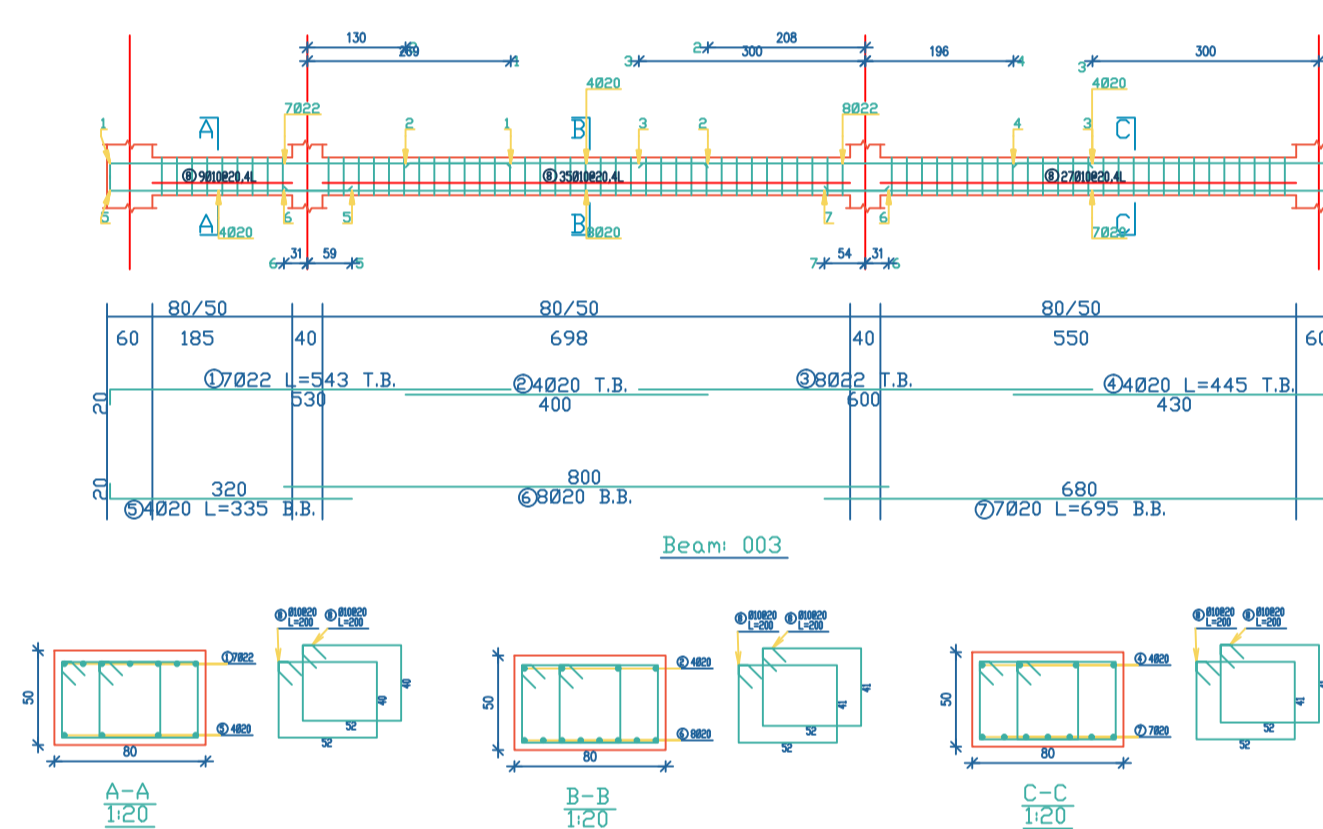
Beam:604



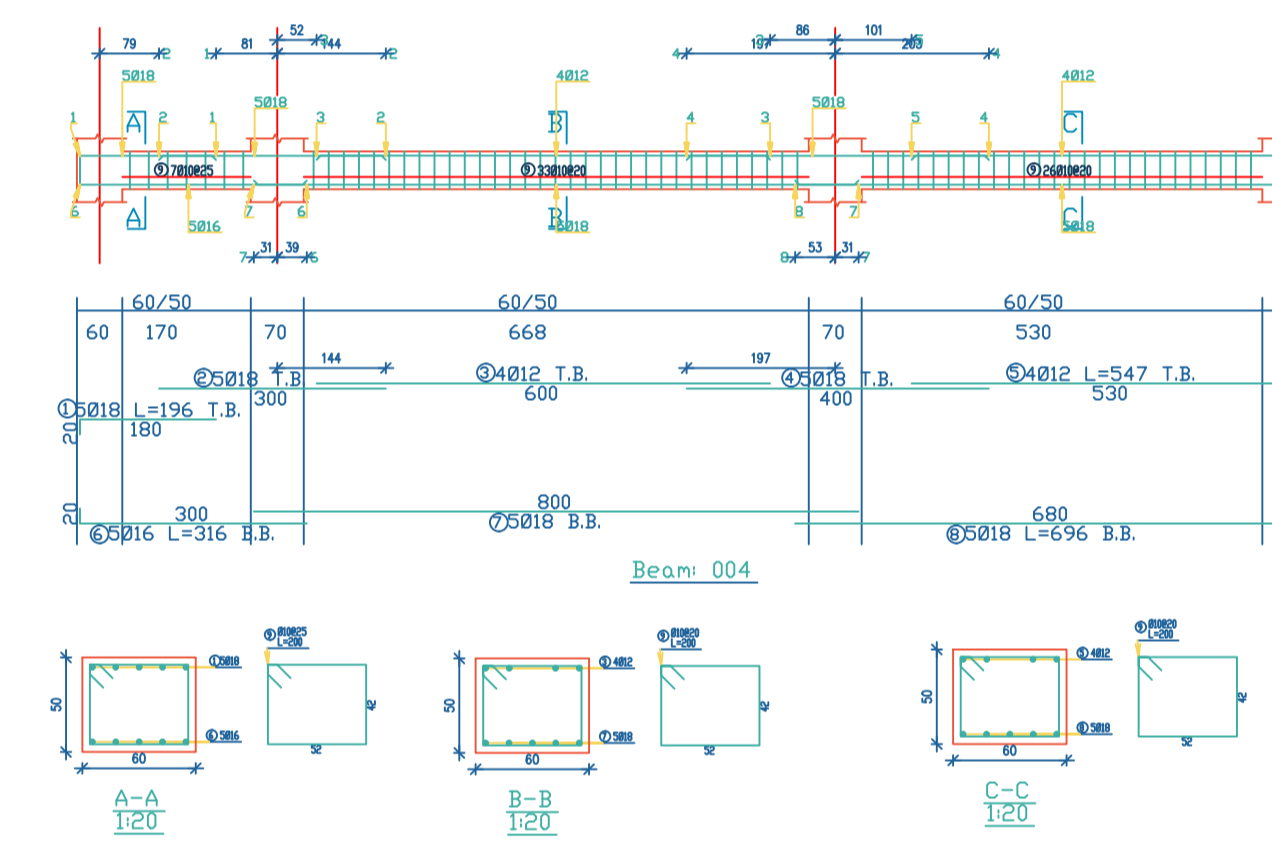
Beam:002



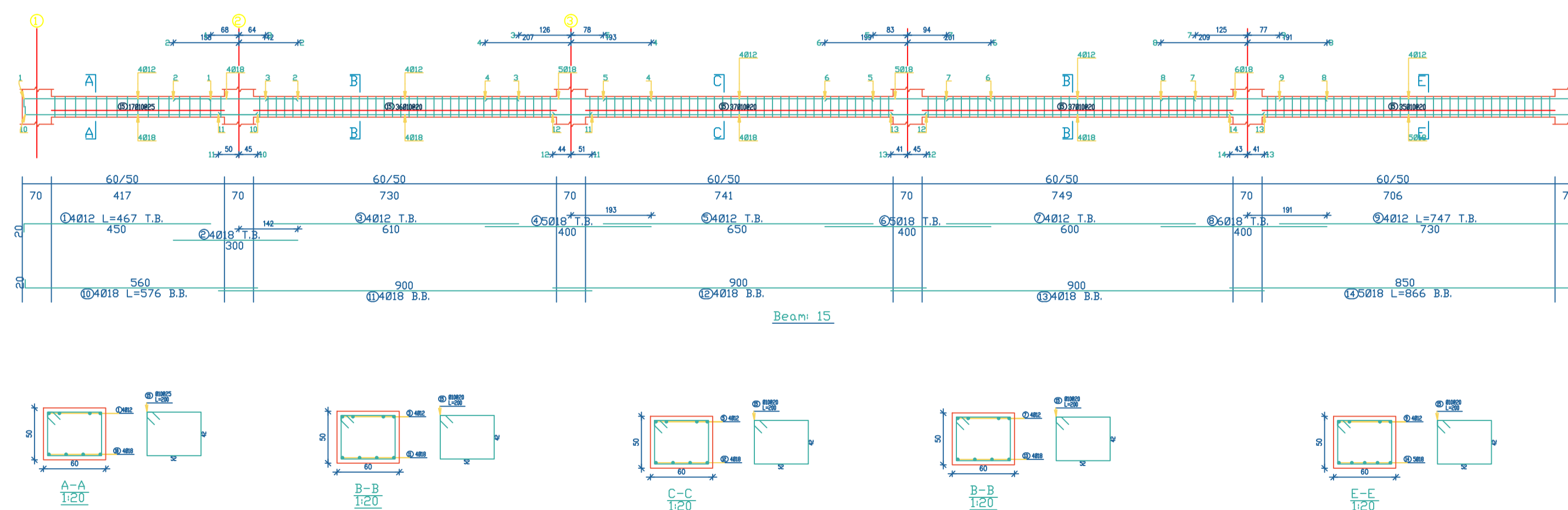
Beam:003



Beam:004



Beam:015



TITLE

BEAMS DETAILING

SUPERVISOR

Eng. Inas Shweki

DONE BY

Ahmad Tamimi
Ismail Abu Dawod
Osama Qawasma

SCALE 1:100

NO OF DRAW S 514

DATE 20/01/2024



Palestine Polytechnic University

Engineering College

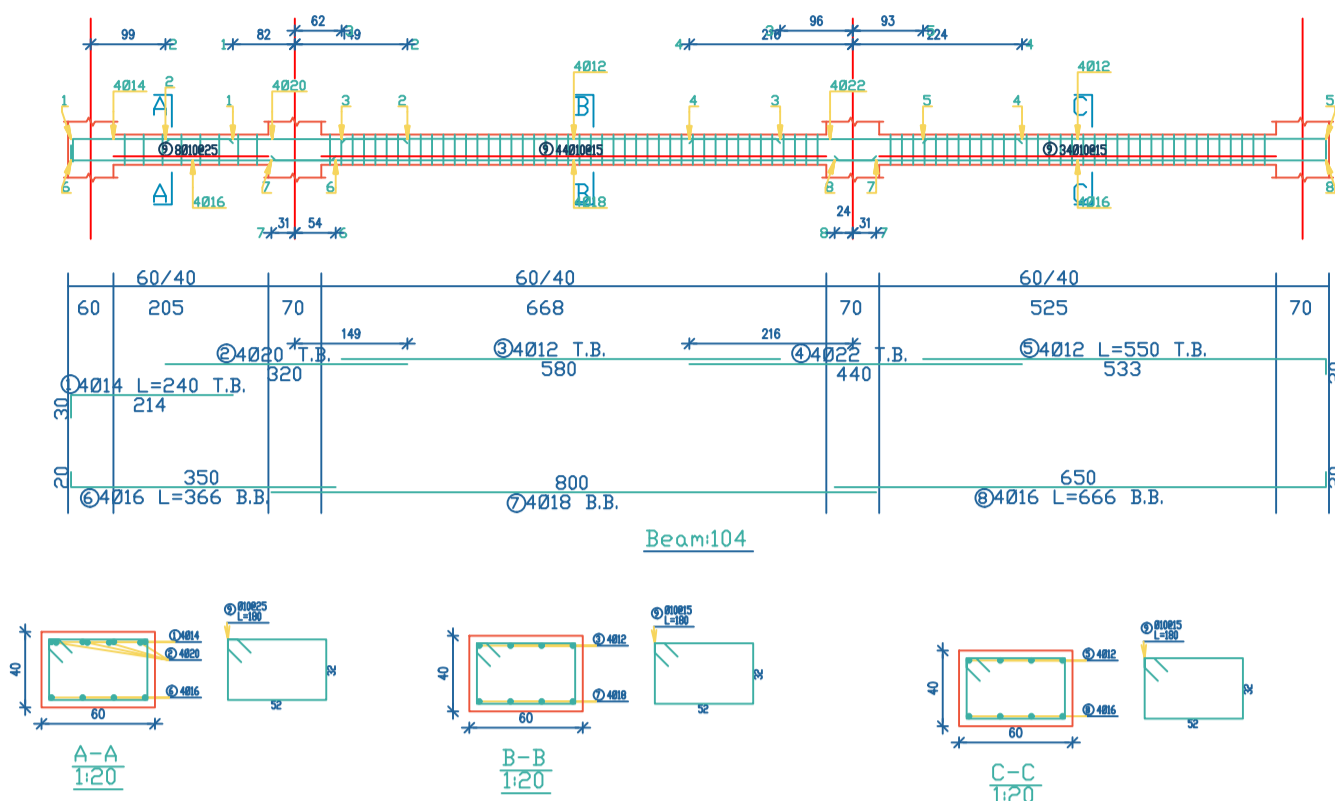
Civil Engineering Department

Building Engineering

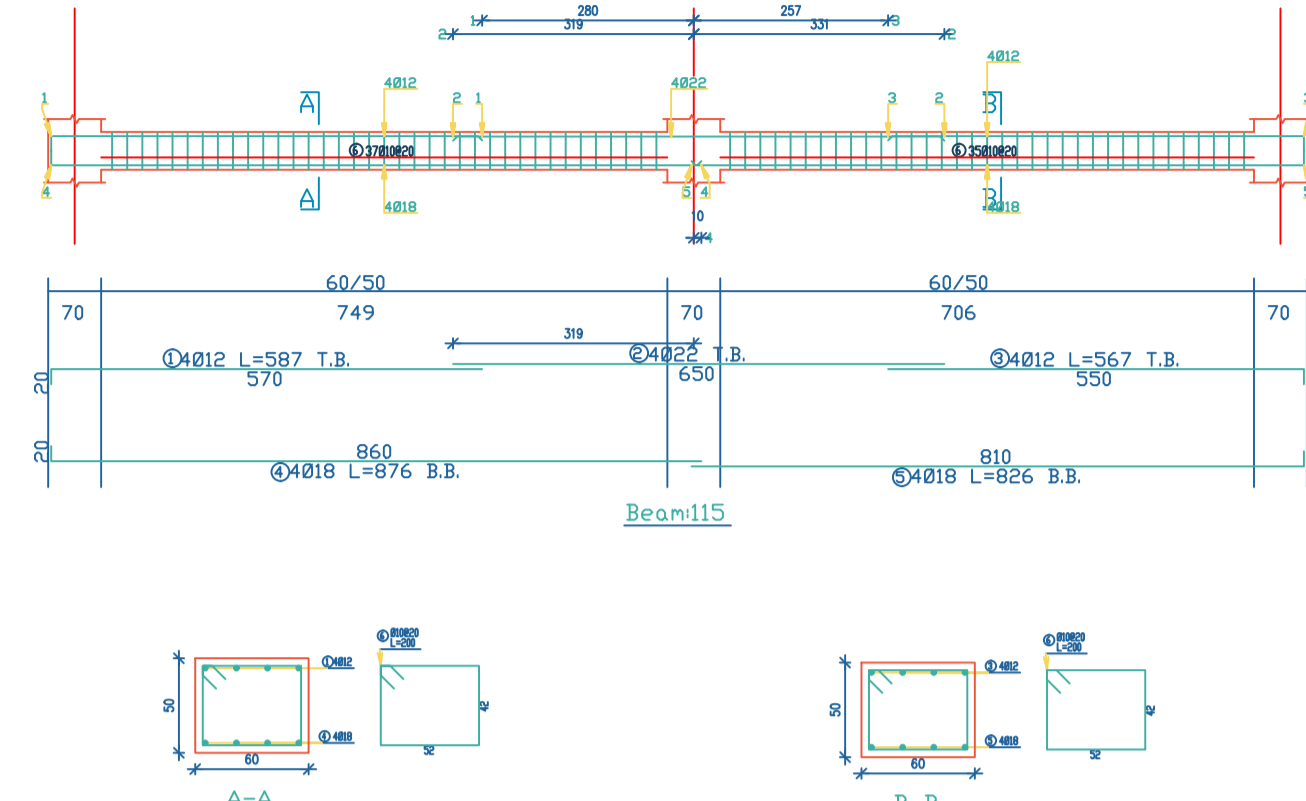
Al Ahd - Structural Design

Graduation Project

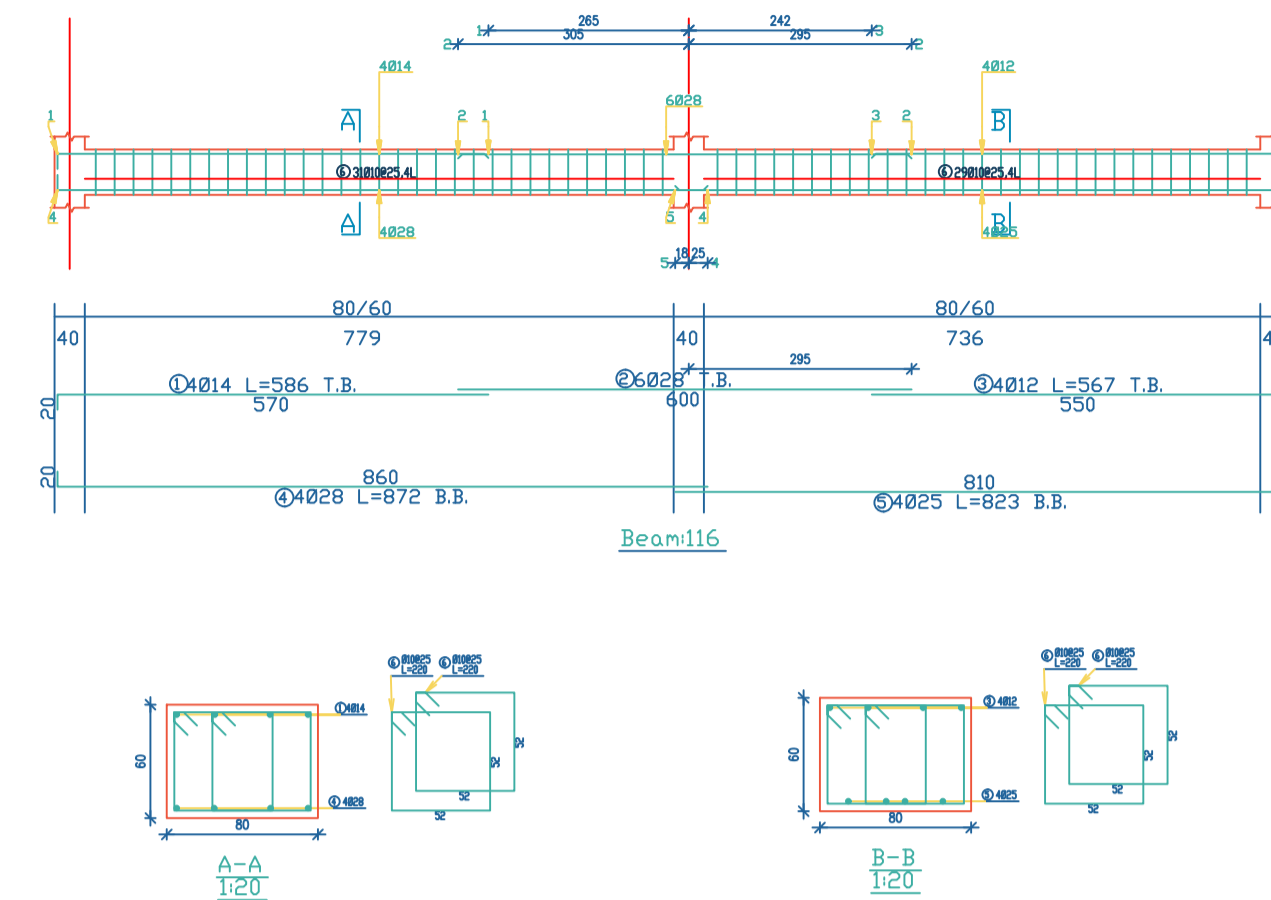
Beam:104



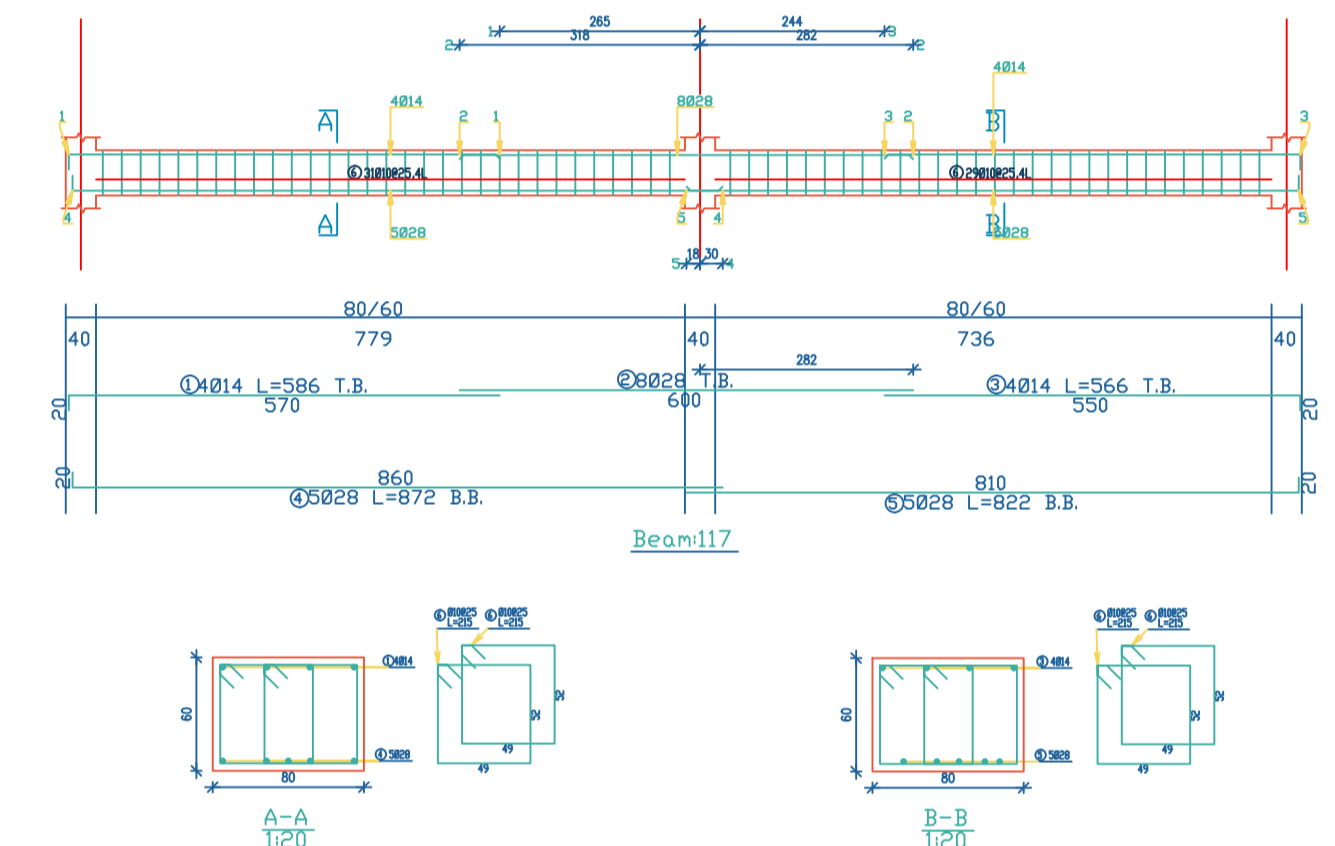
Beam:115



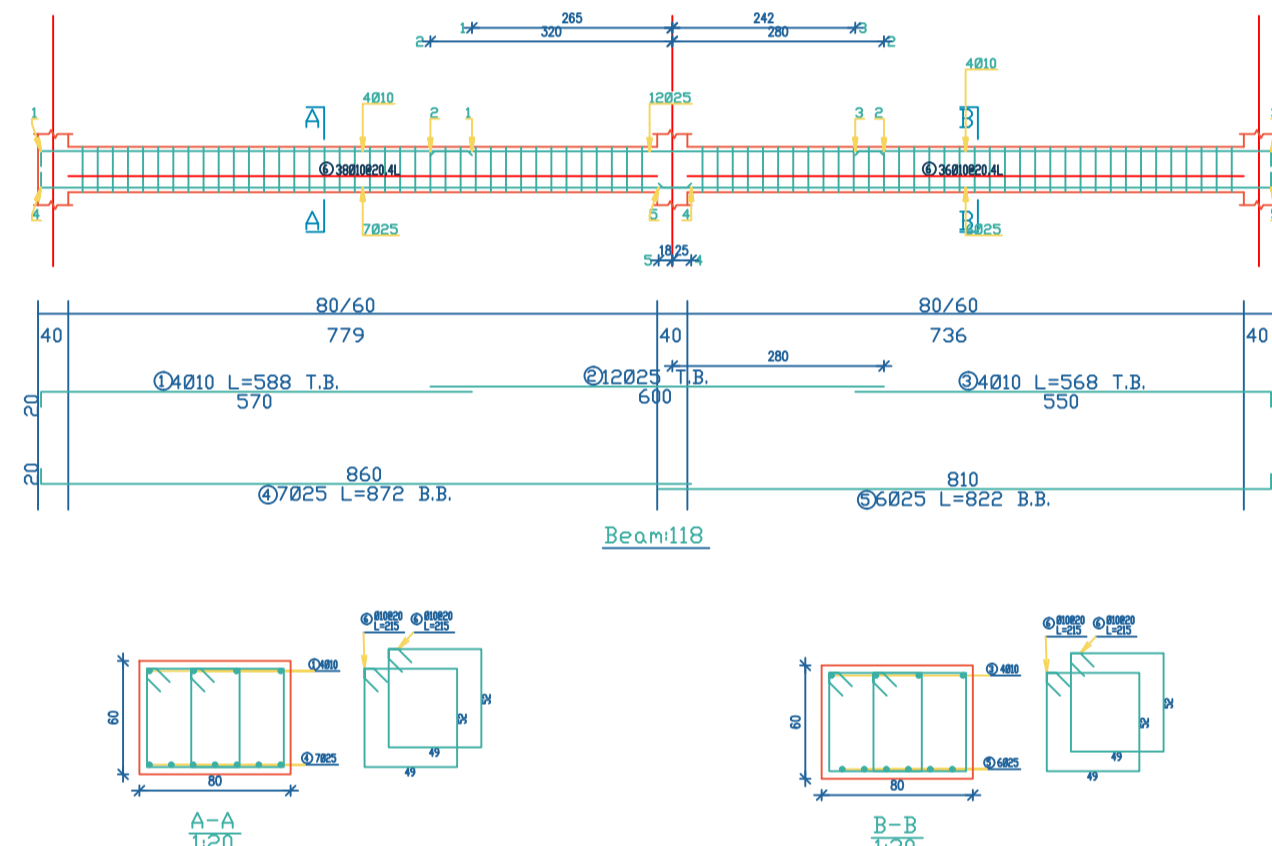
Beam:116



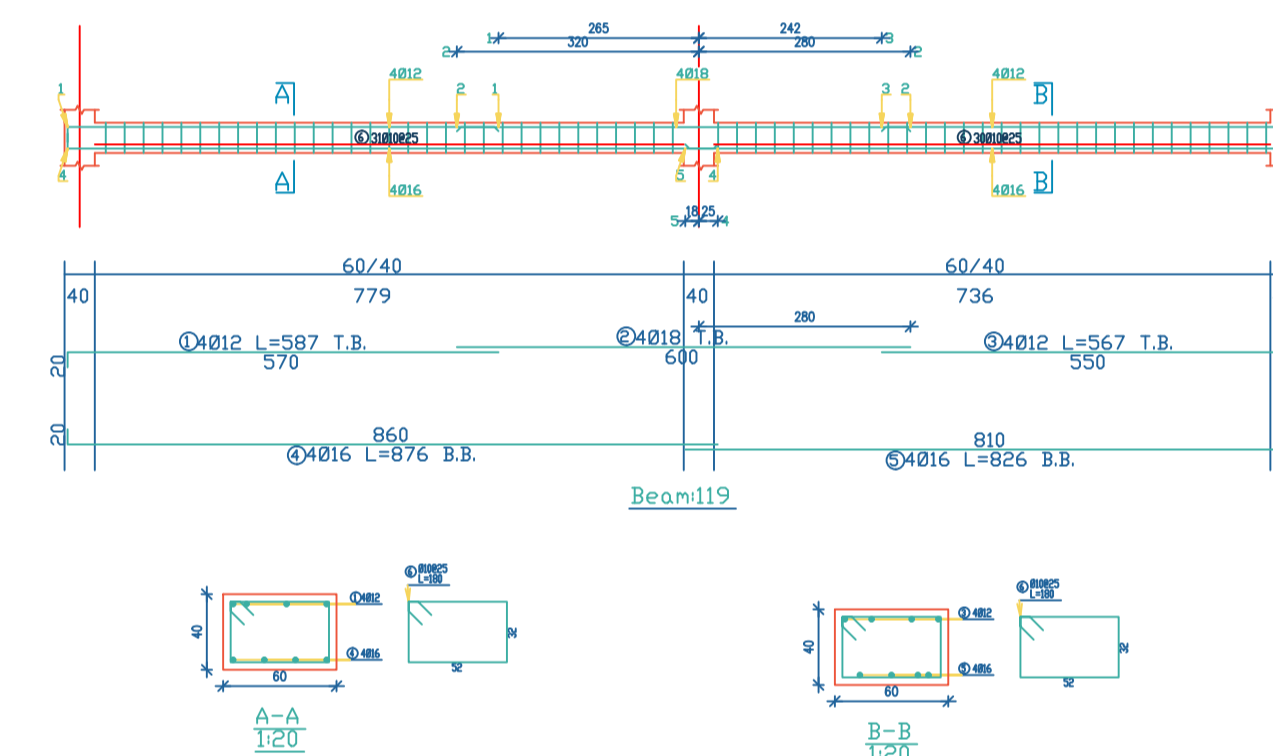
Beam:117



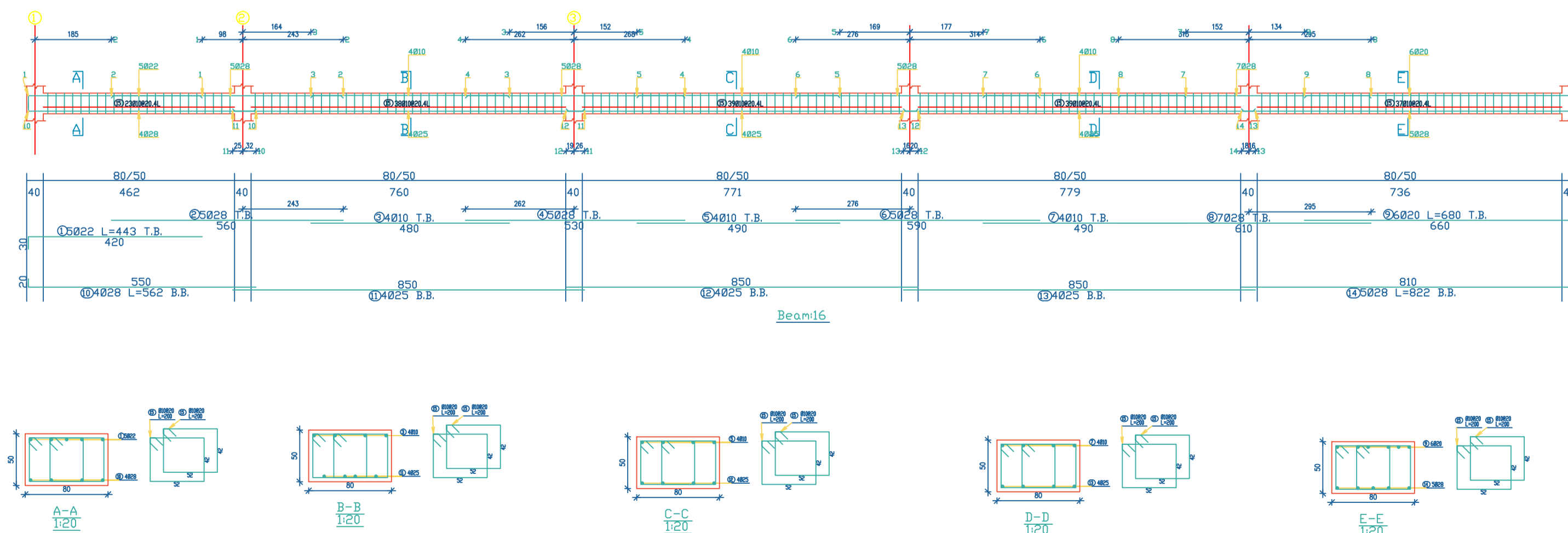
Beam:118



Beam:119



Beam:16



TITLE

BEAMS DETAILING

SUPERVISOR

Eng. Inas Shweki

DONE BY

Ahmad Tamimi
Ismail Abu Dawod
Osama Qawasma

SCALE 1:100

NO OF DRAW S 515

DATE 20/01/2024



Palestine Polytechnic University

Engineering College

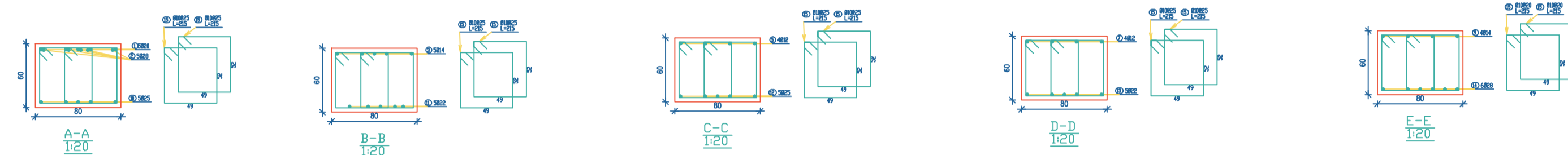
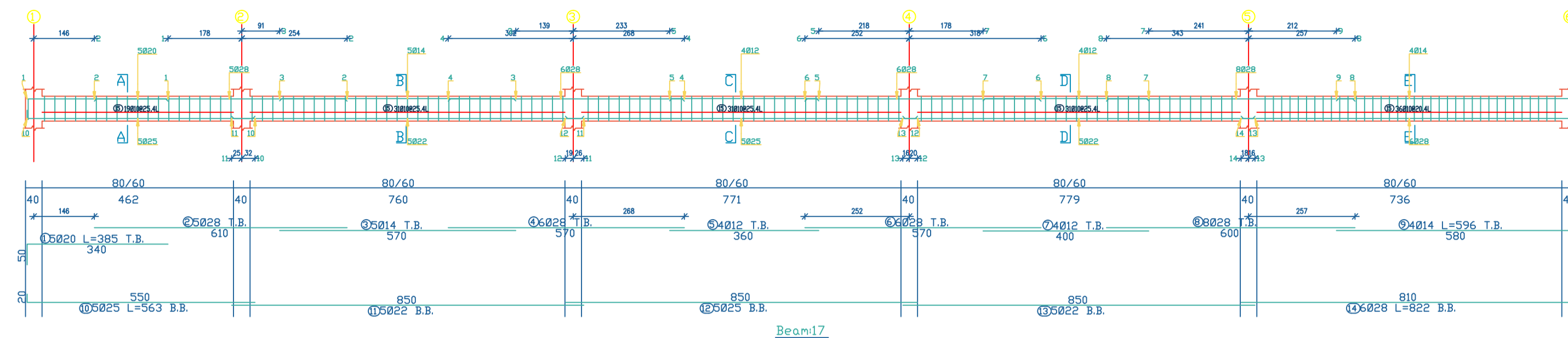
Civil Engineering Department

Building Engineering

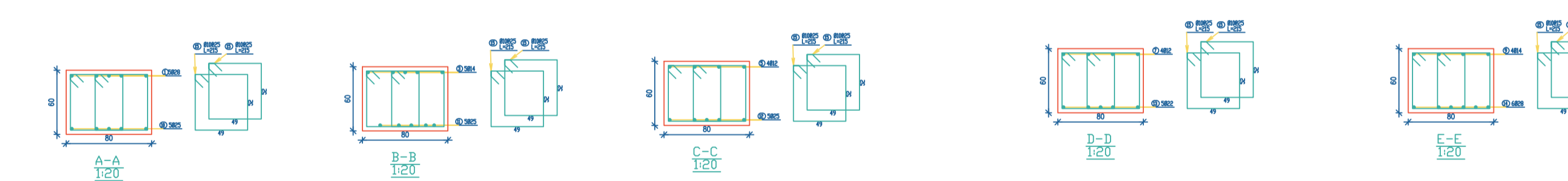
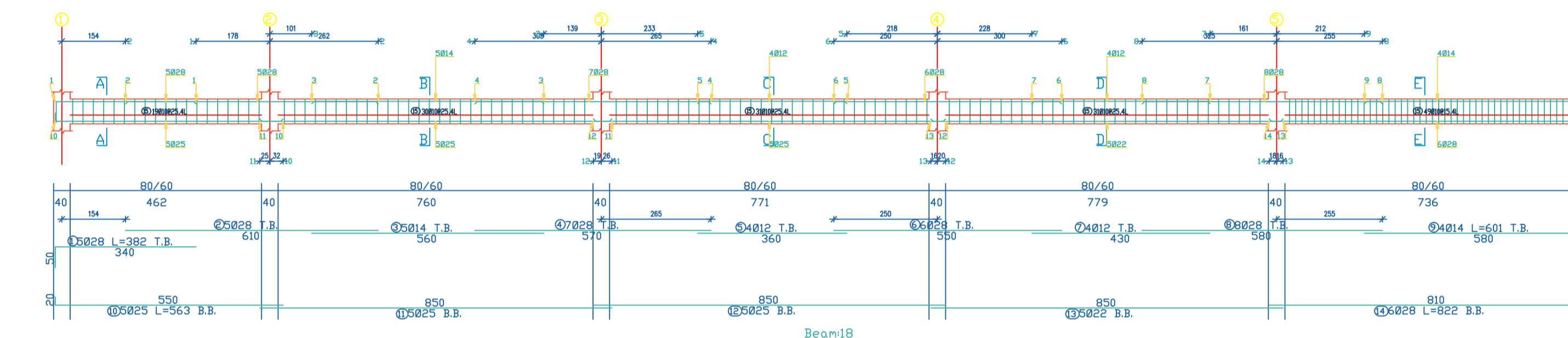
Al Ahd - Structural Design

Graduation Project

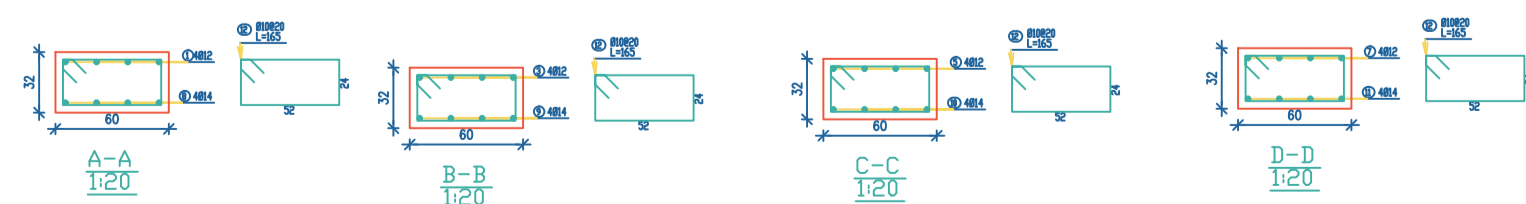
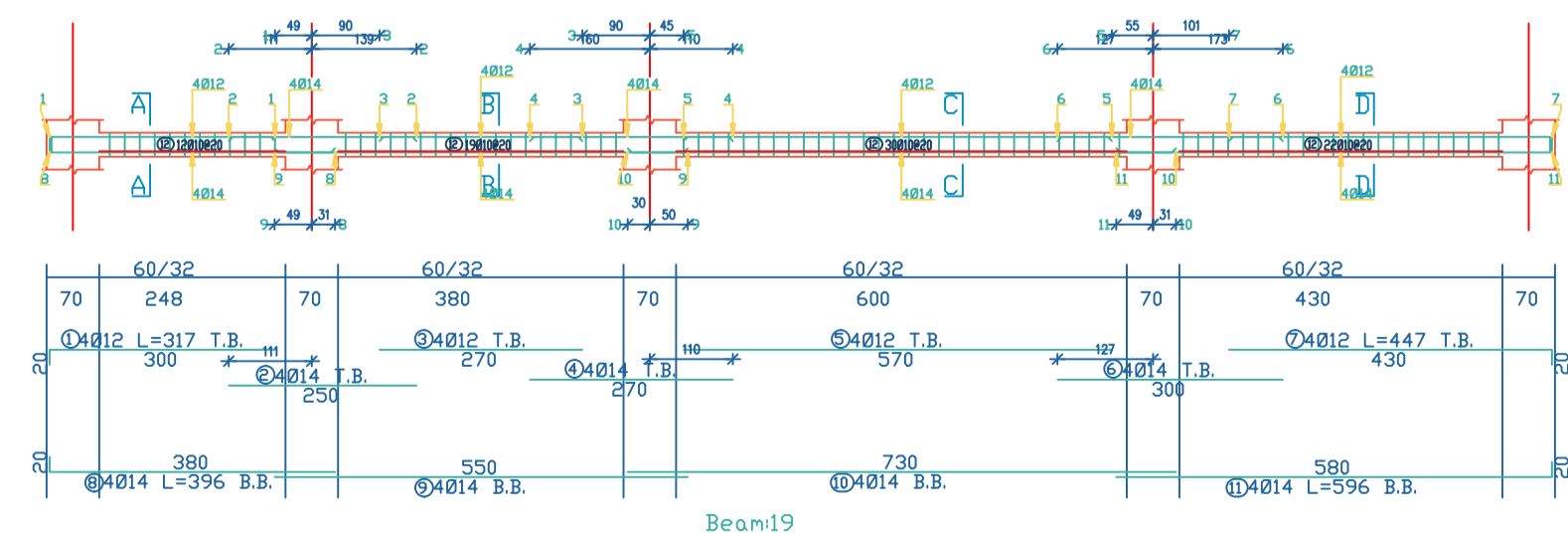
Beam17



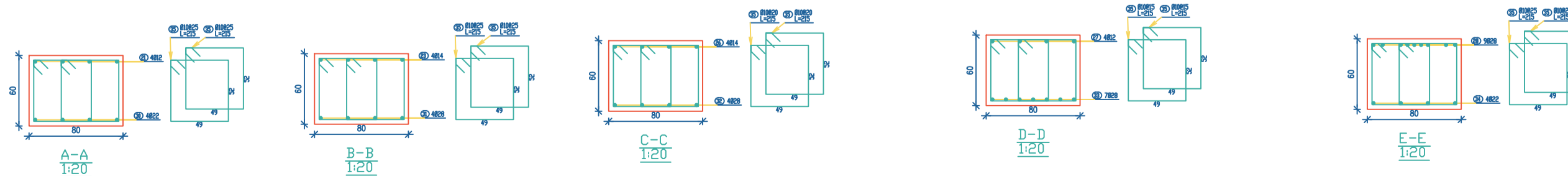
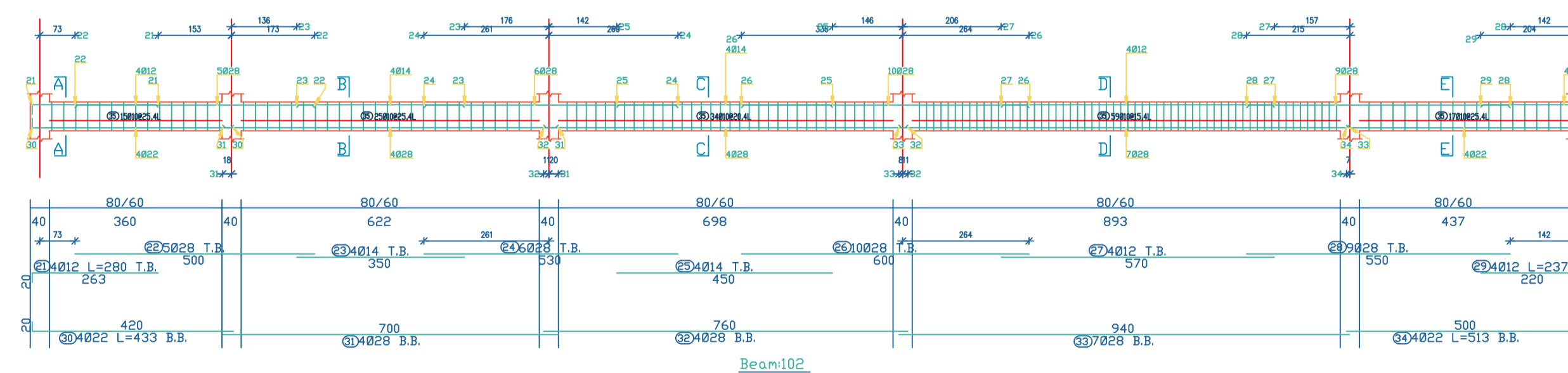
Beam18



Beam19



Beam102



TITLE

BEAMS DETAILING

SUPERVISOR

Eng. Inas Shweki

DONE BY

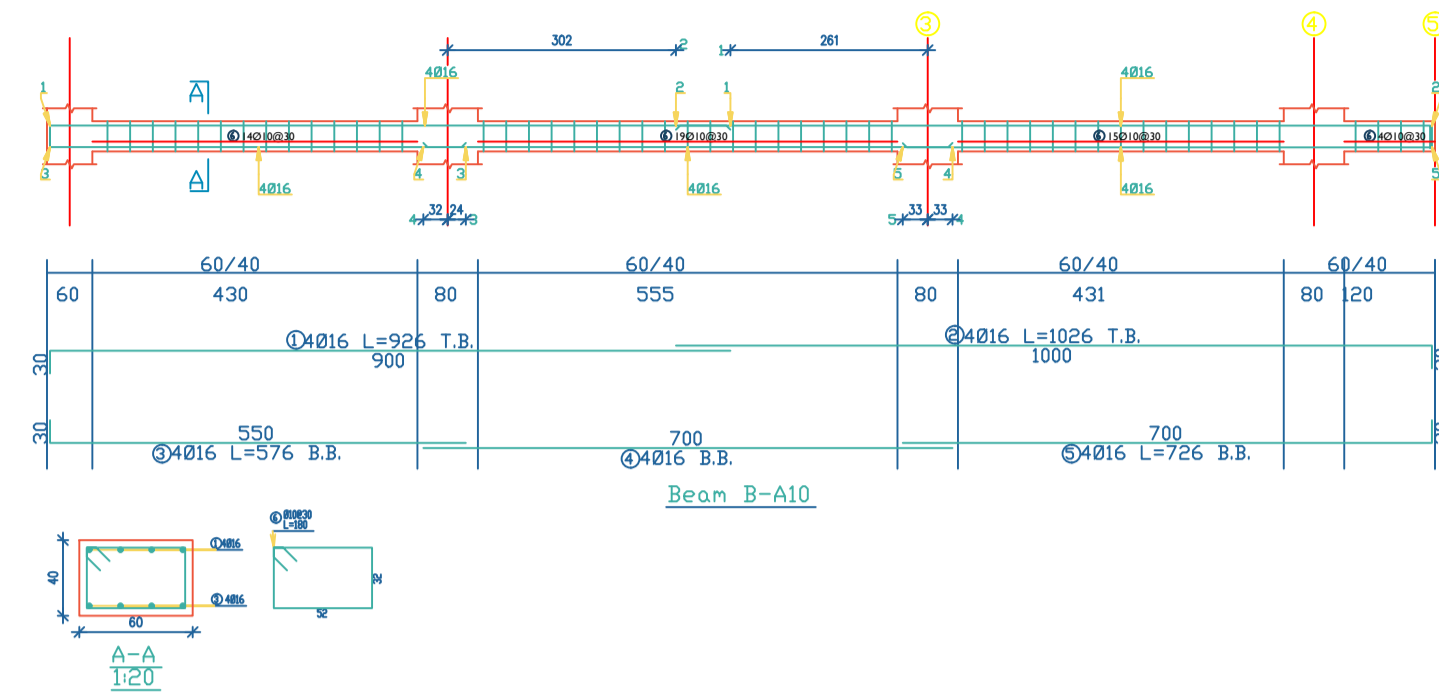
Ahmad Tamimi
Ismail Abu Dawod
Osama Qawasma

SCALE 1:100

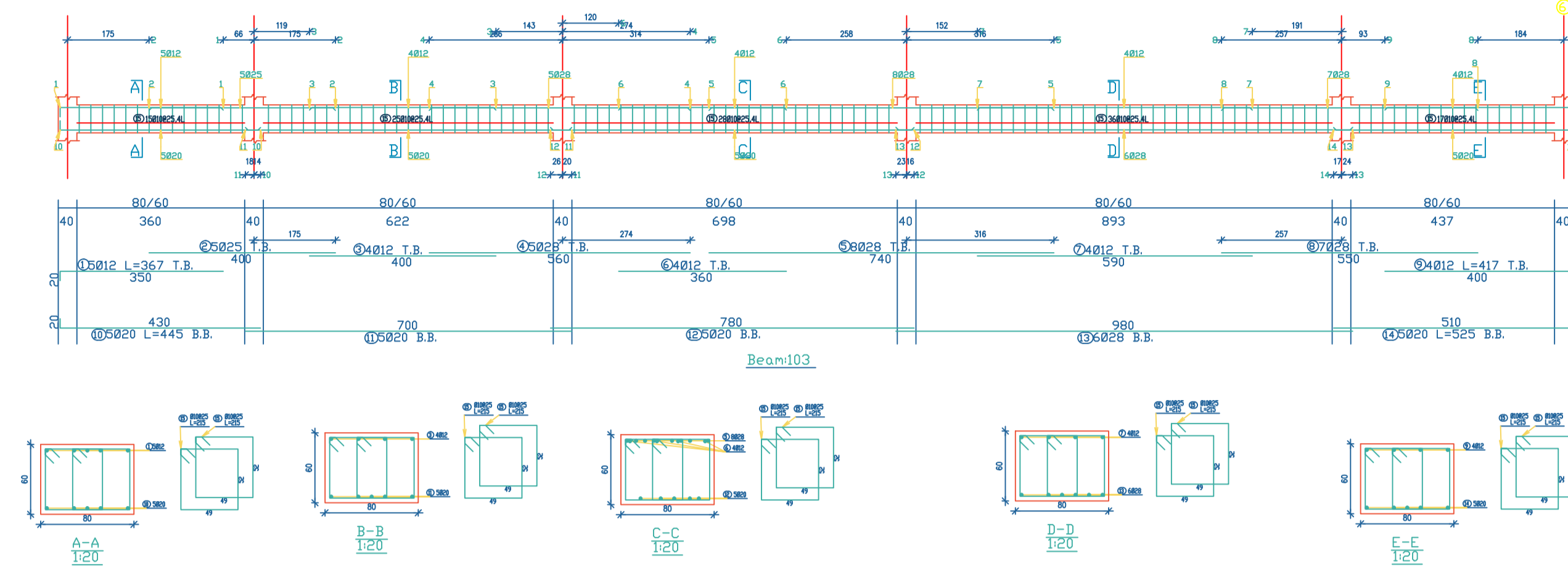
NO OF DRAW S 516

DATE 20/01/2024

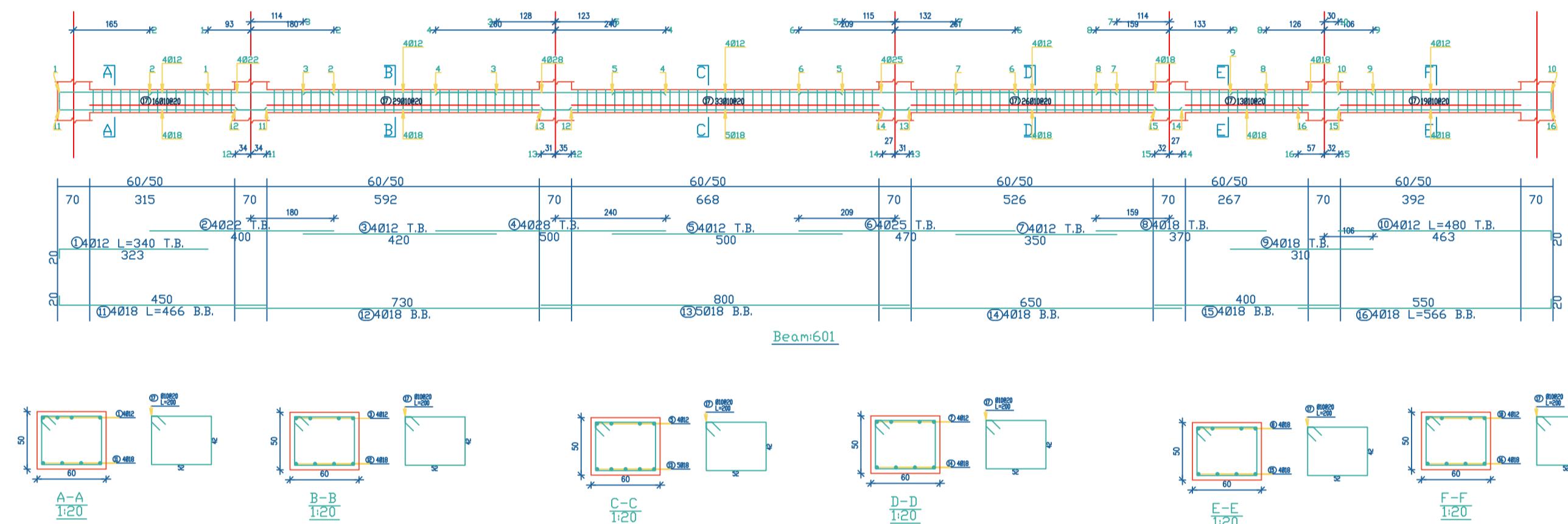
Beam B-A10



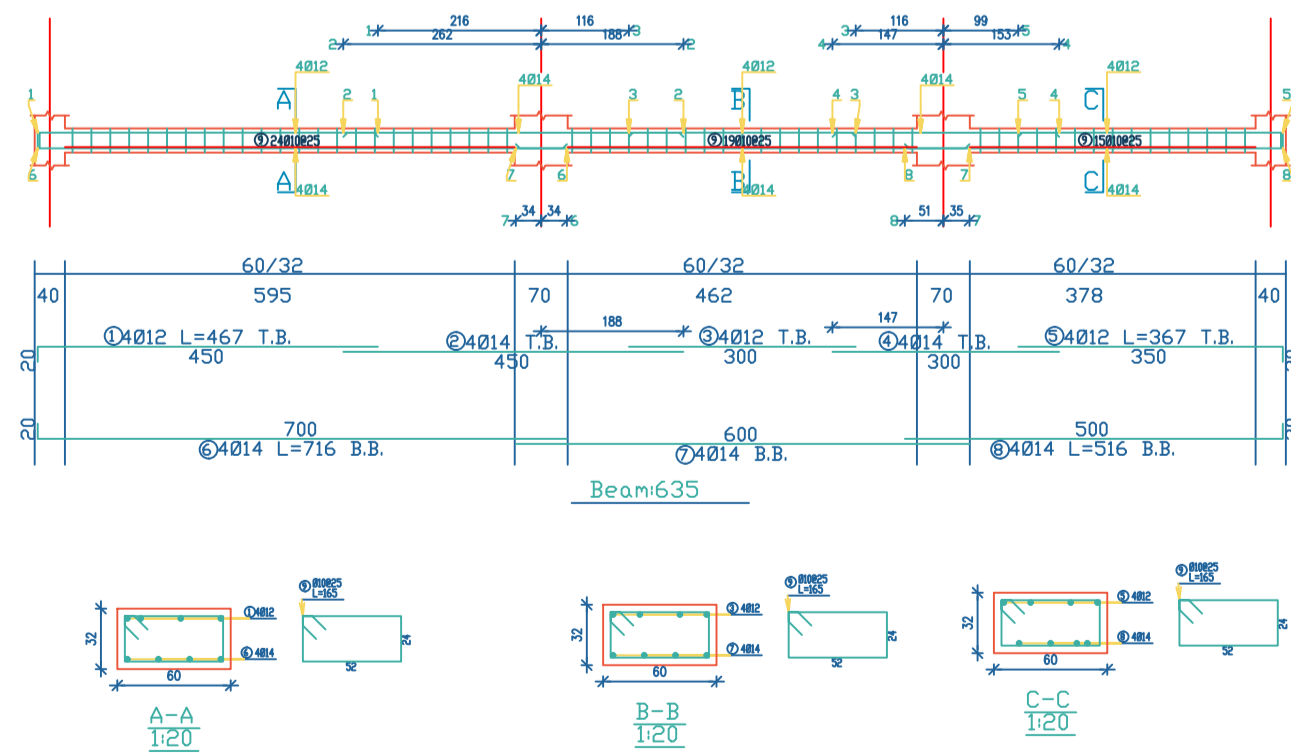
Beam:103



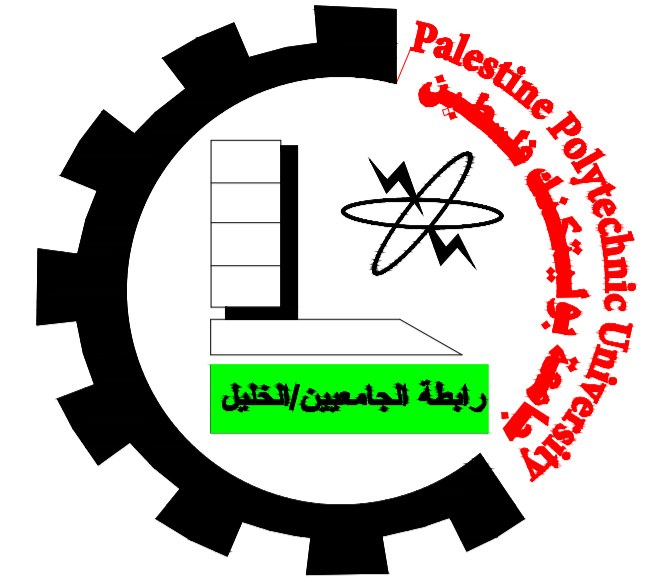
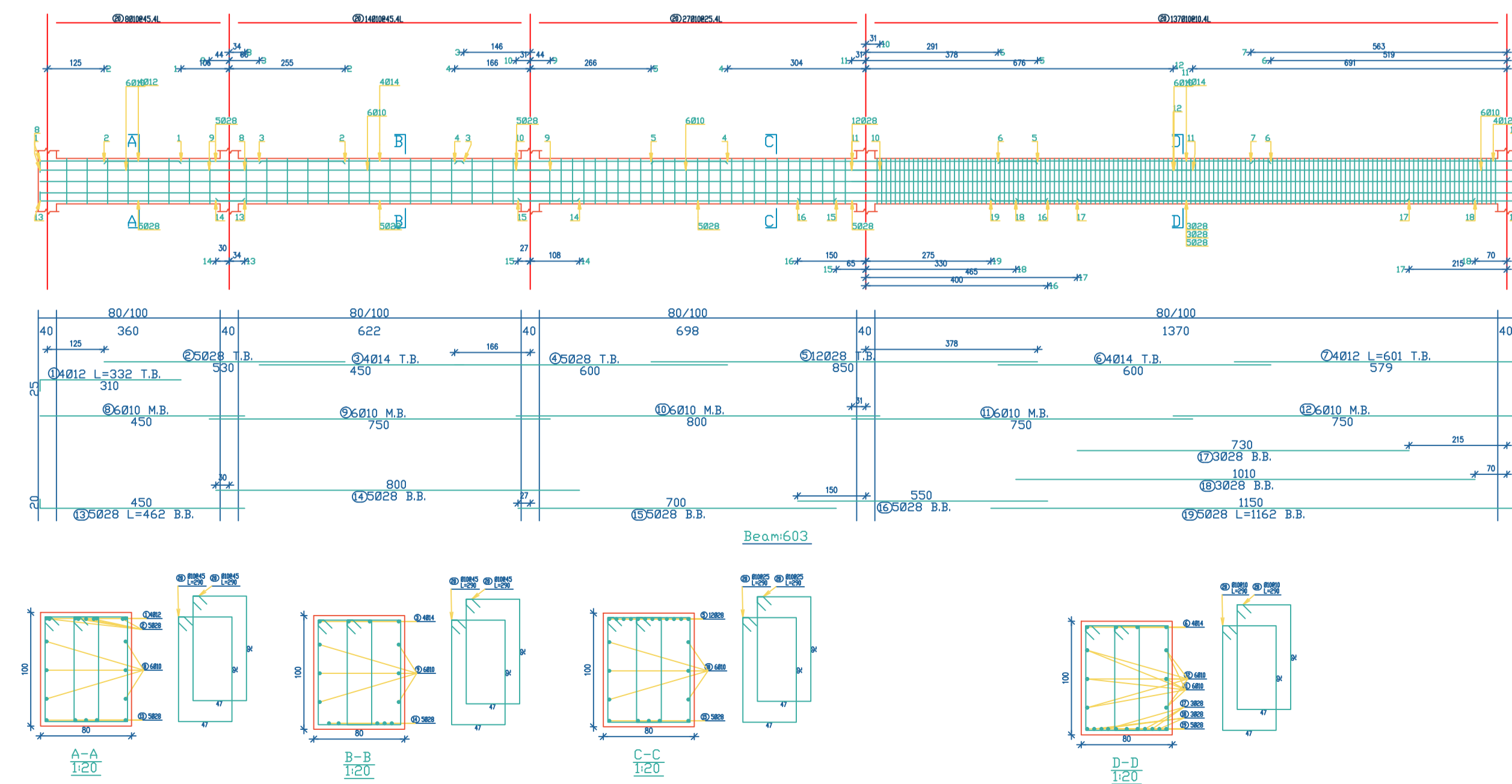
Beam:601



Beam:635



Beam:603



Palestine Polytechnic University

Engineering College

Civil Engineering Department

Building Engineering

Al Ahd - Structural Design

Graduation Project

TITLE

BEAMS DETAILING

SUPERVISOR

Eng. Inas Shweki

DONE BY

Ahmad Tamimi
Ismail Abu Dawod
Osama Qawasma

SCALE

1:100

NO OF DRAW

S 517

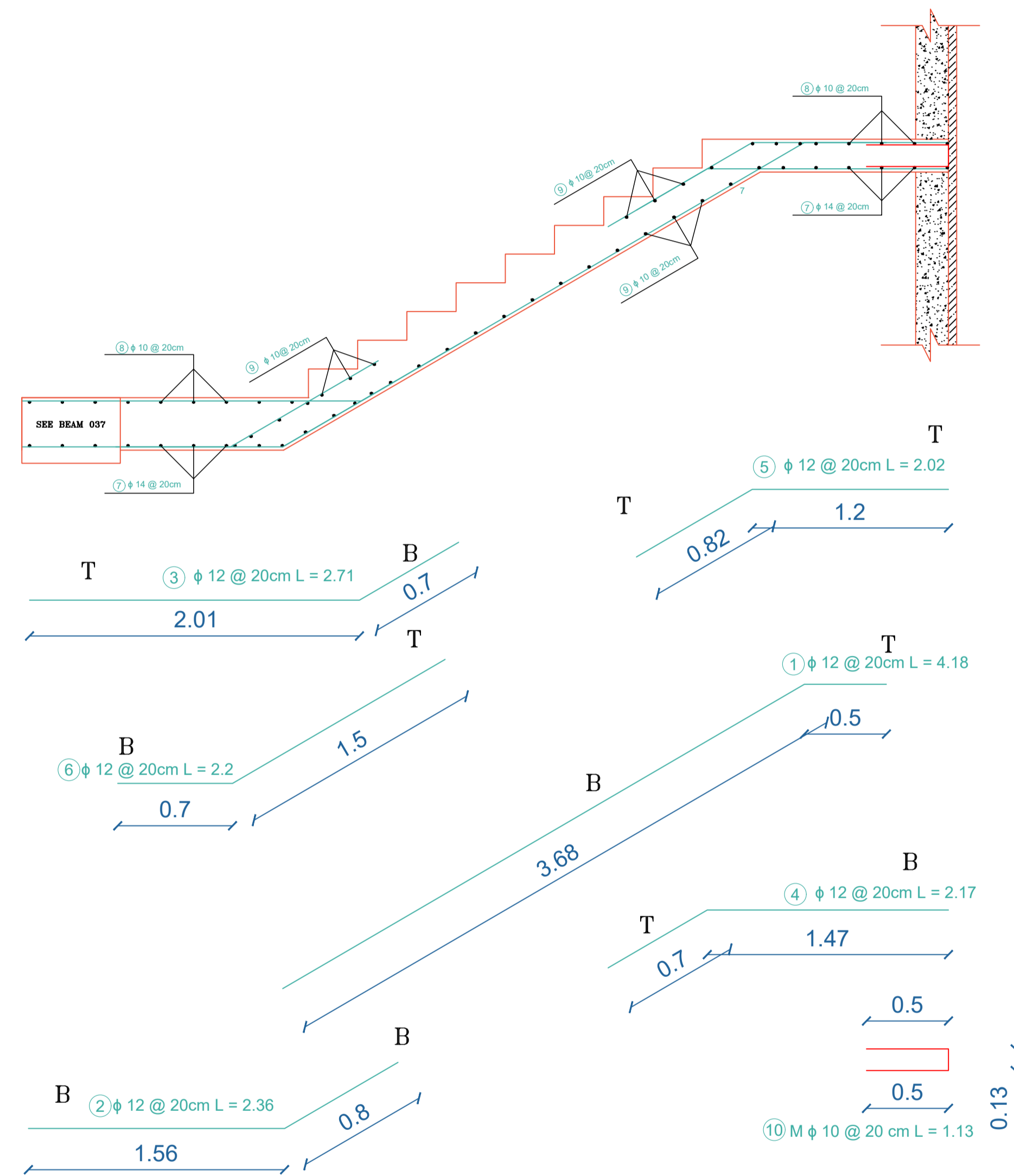
DATE

20/01/2024

S 601

Stair Flight Detailing

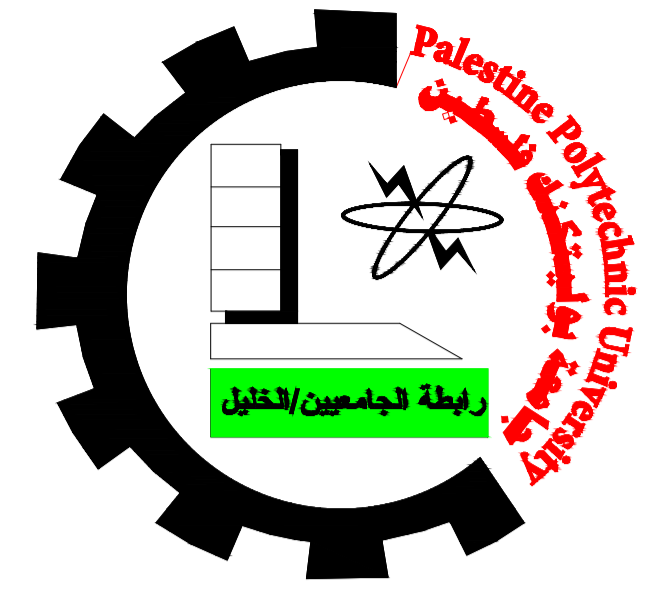
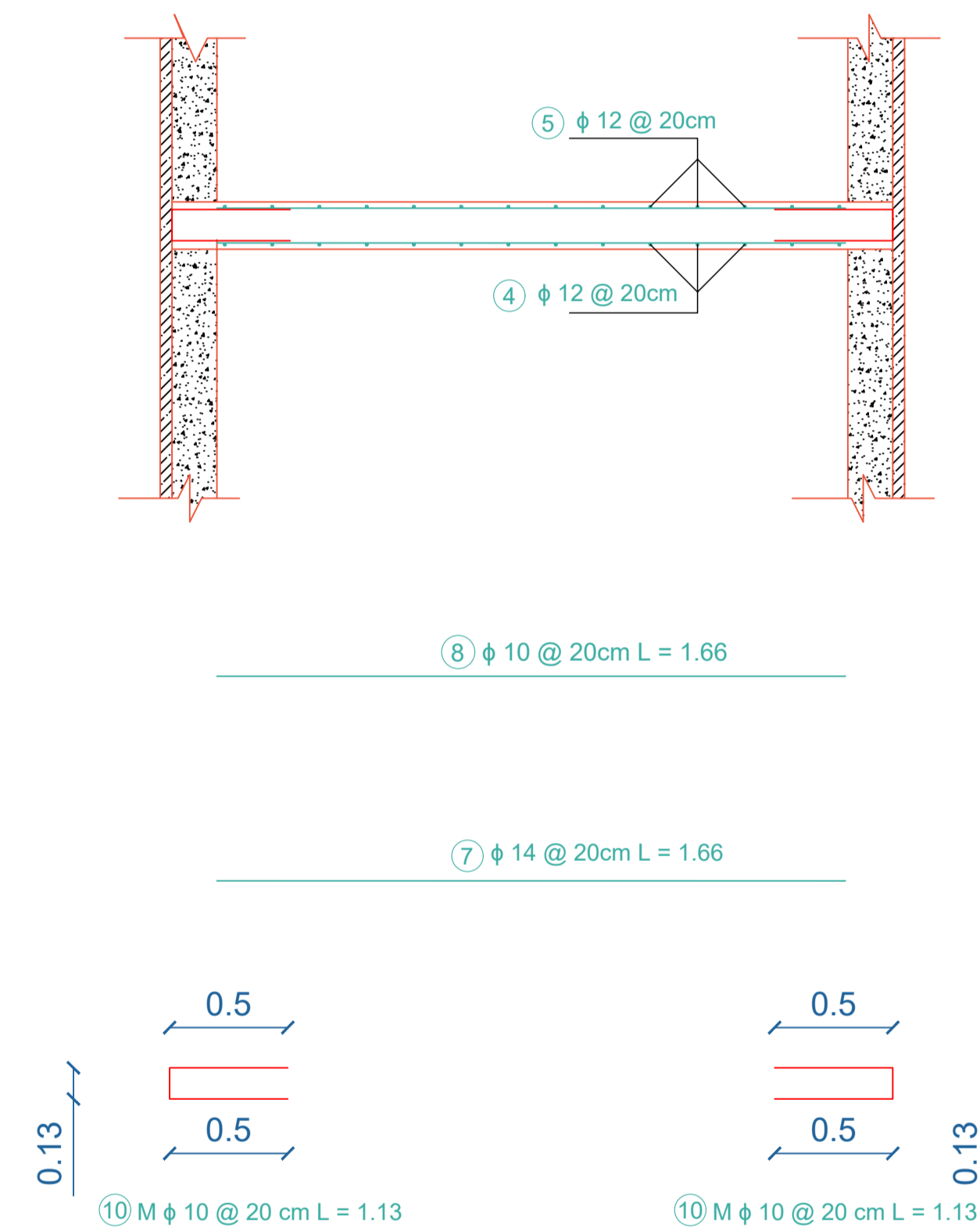
Scale: 1:25



S 601

Middle Landing Detailing

Scale: 1:25



Palestine Polytechnic University

Engineering College

Civil Engineering Department

Building Engineering

Al Ahd - Structural Design

Graduation Project

TITLE

Stair Detailing

SUPERVISOR

Eng. Inas Shweki

DONE BY

Ahmad Tamimi
Ismail Abu Dawod
Osama Qawasma

SCALE 1:25

NO OF DRAW S 601

DATE 20/01/2024