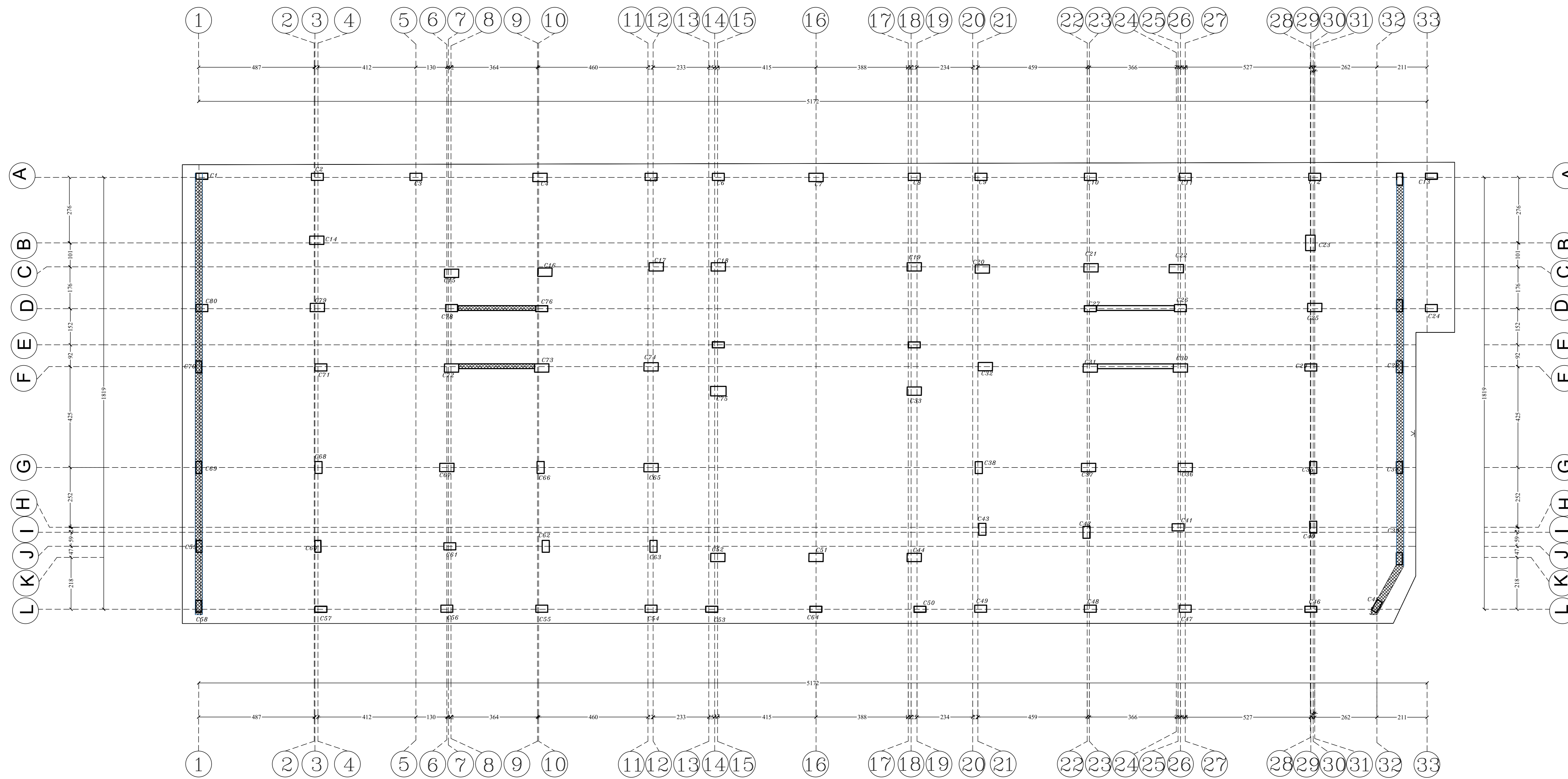
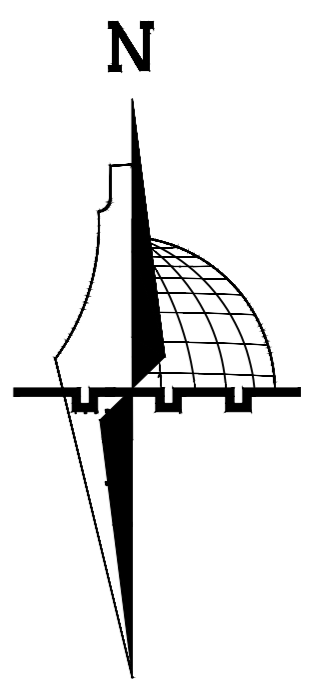
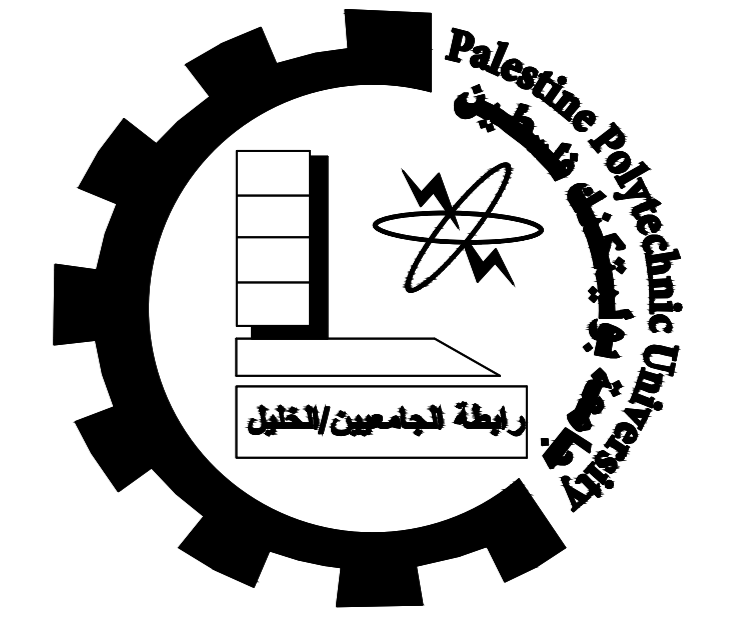


Columns layout plan



Palestine Polytechnic University



project title :
structural design for a commercial residential building in the city of Hebron

Done by :
Rinad AL-Abed
Qamar AL-Anatsheh

supervisor:
Eng. Inas shaweki

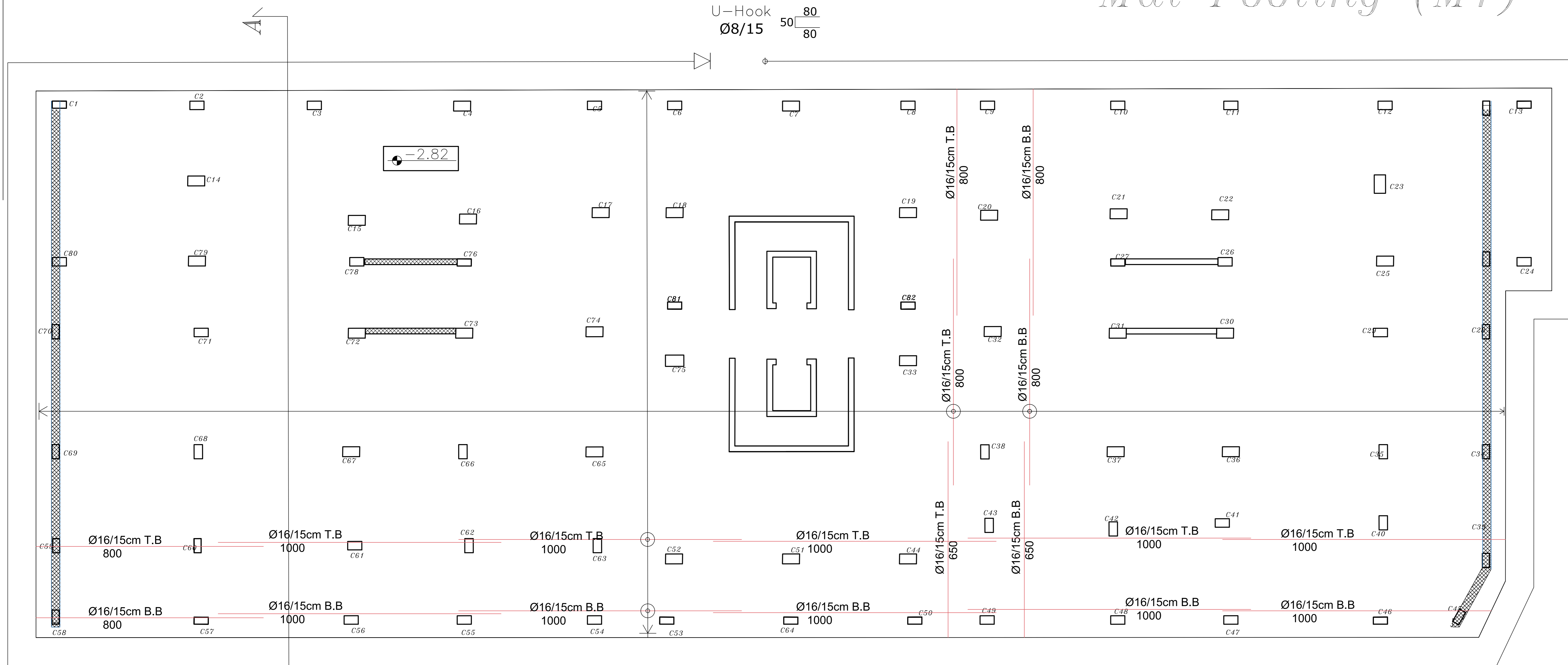
scale:
No. of DRAW **S01**

DATE: 23/5/2023

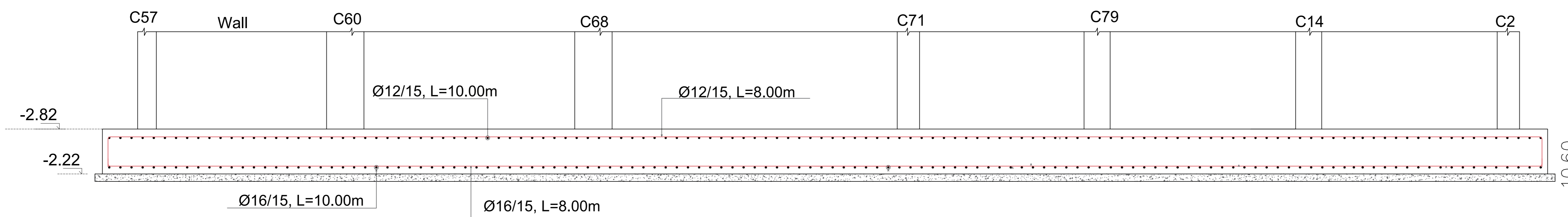
FOUNDATION DETAILS plan

Mat Footing (M1)

U-Hook
Ø8/15 50 $\frac{80}{80}$

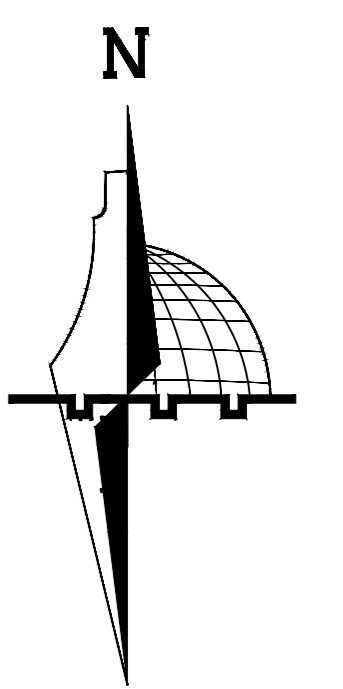
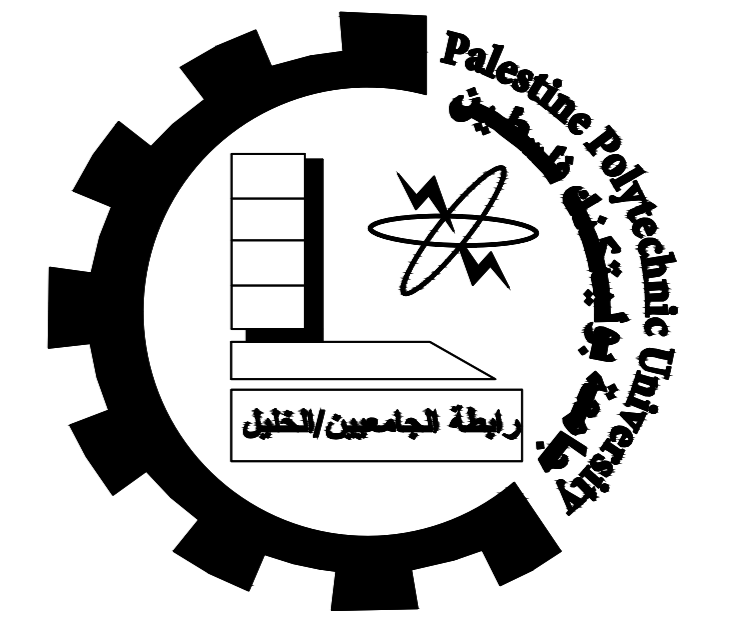


TOB&Bottom Bars



SEC A-A
SCALE (1:20)

Palestine Polytechnic University



project title :

structural design for a commercial residential building in the city of Hebron

Done by :

Rinad AL-Abed
Qamar AL-Anatsheh

supervisor:

Eng. Inas shweki

scale:

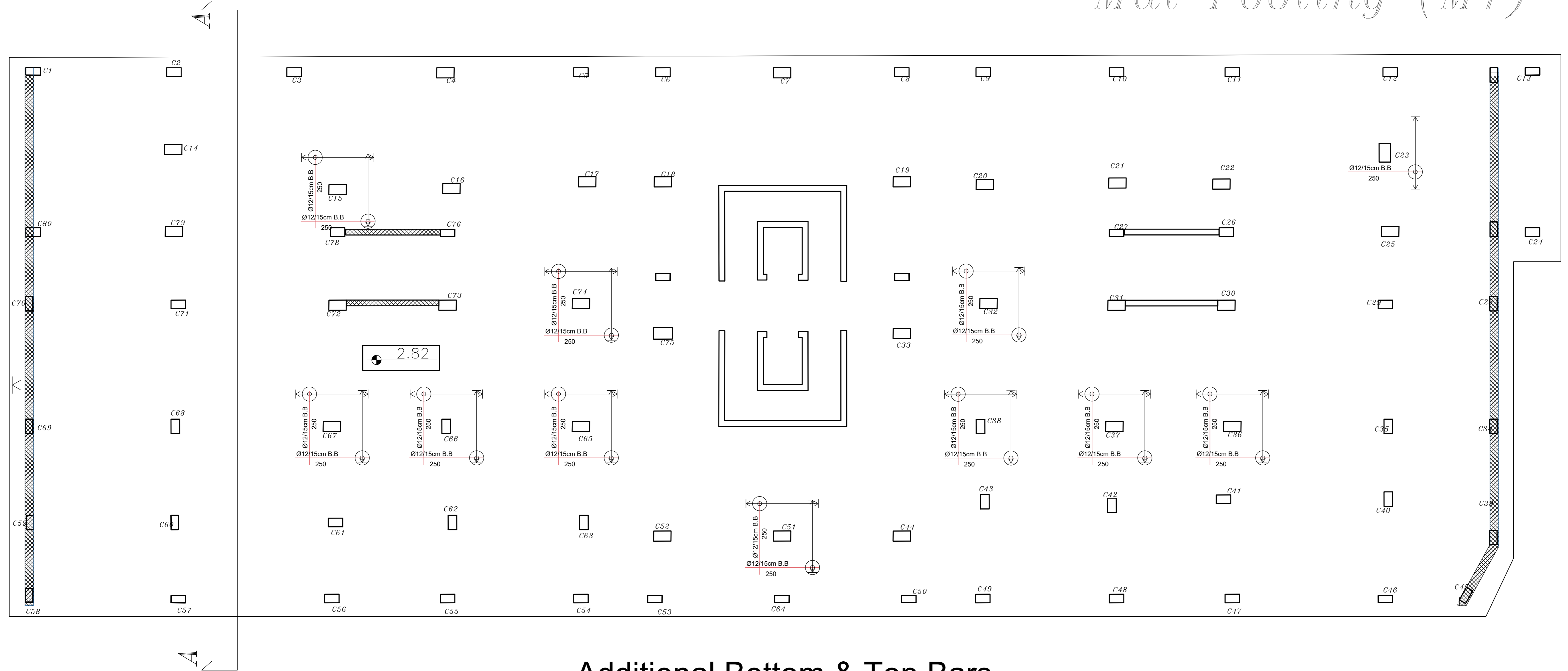
No. of
DRAW

S02

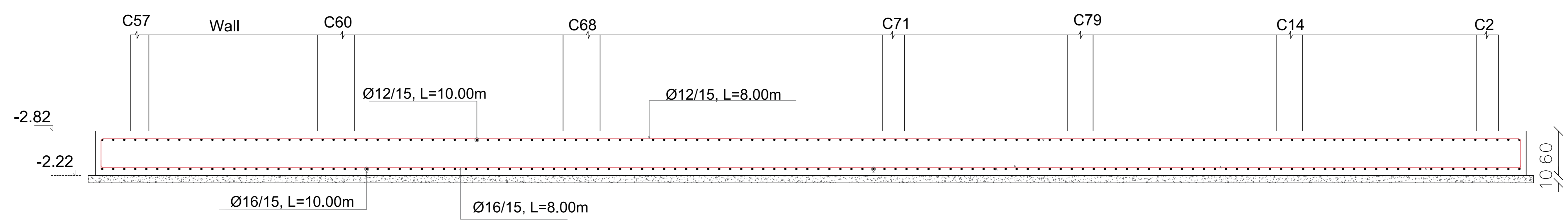
DATE: 23/5/2023

FOUNDATION DETAILS plan

Mat Footing (M1)

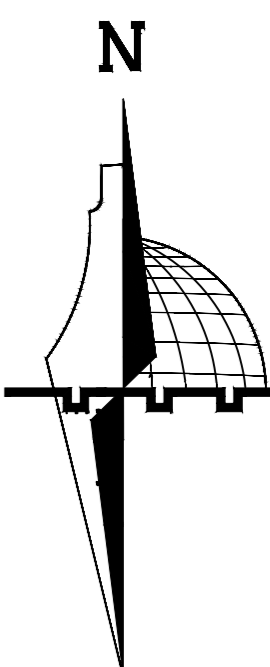
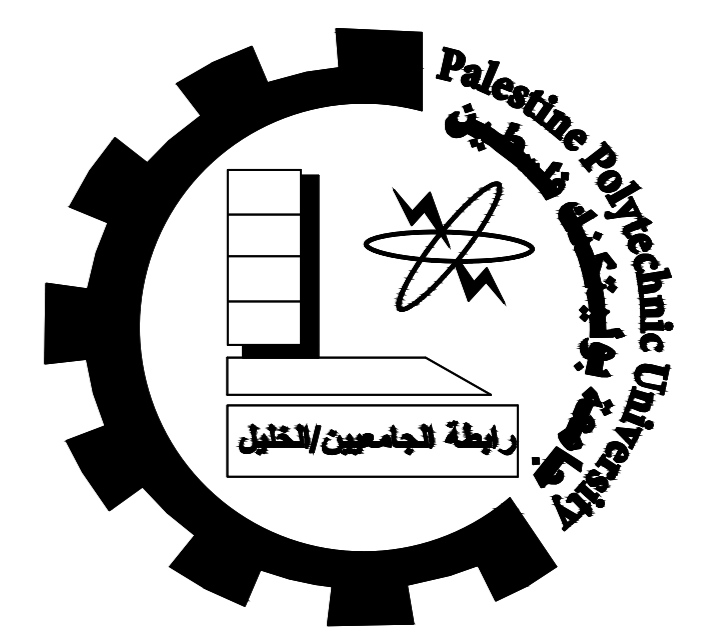


Additional Bottom & Top Bars



*SEC A-A
SCALE (1:20)*

Palestine Polytechnic University



project title :
structural design for a commercial residential building in the city of Hebron

Done by :
*Rinad AL-Abed
Qamar AL-Anatsheh*

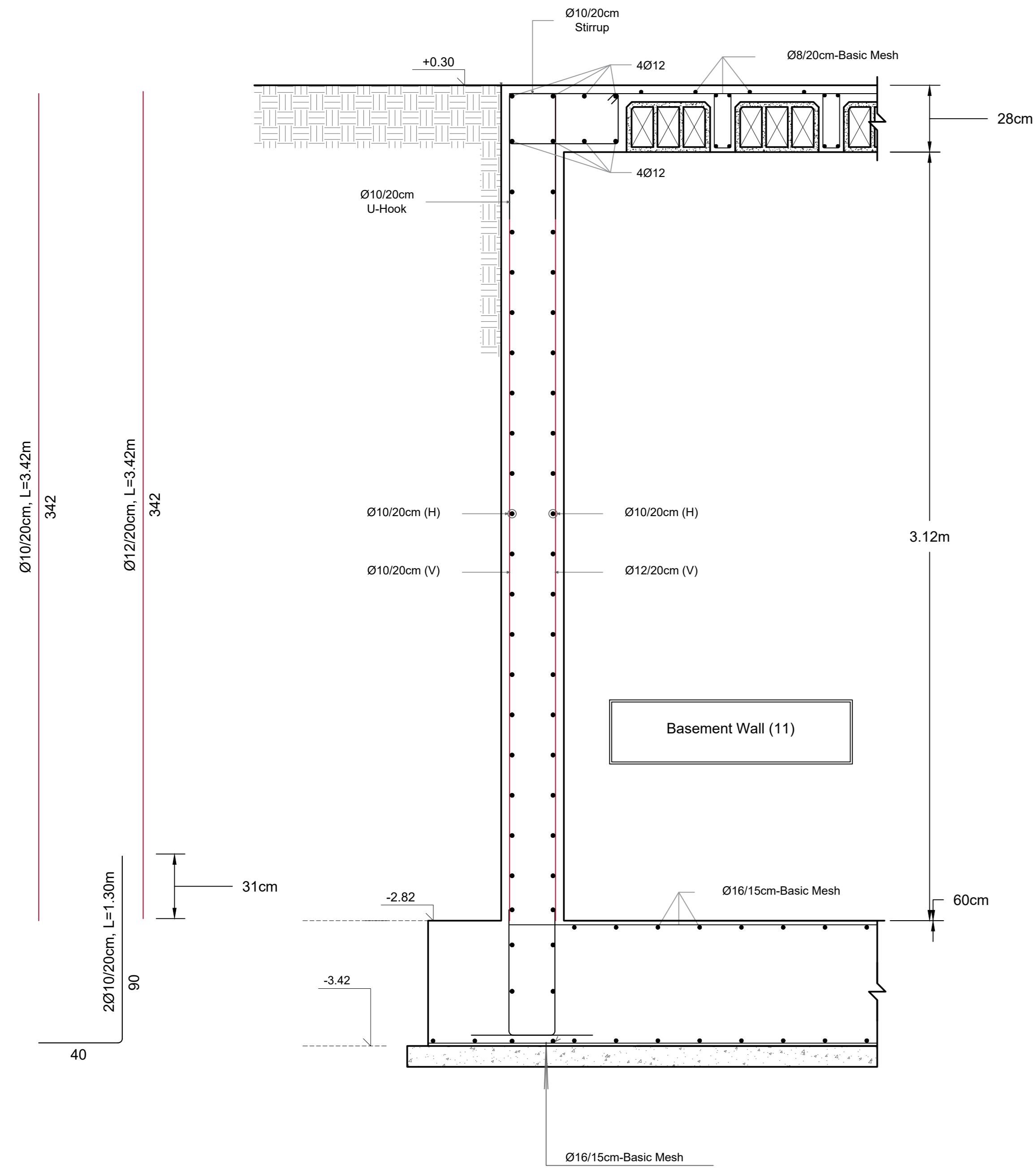
supervisor:
Eng. Inas shaweki

scale:	
No. of DRAW	S03
DATE:	23/5/2023

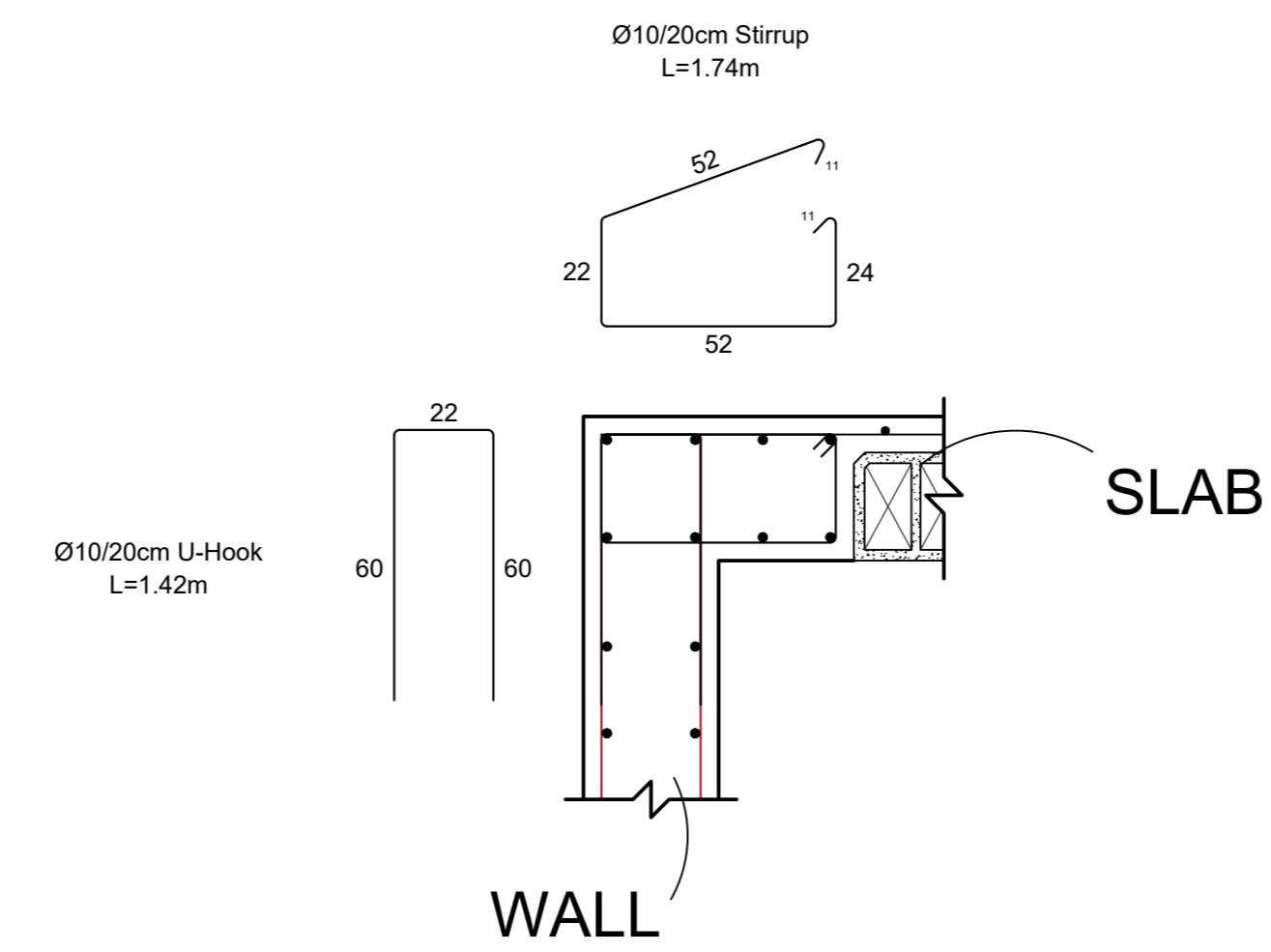
BASSMENT WALL DETAILS

BASEMENT WALL (1) - BASEMENT (-1) FLOOR

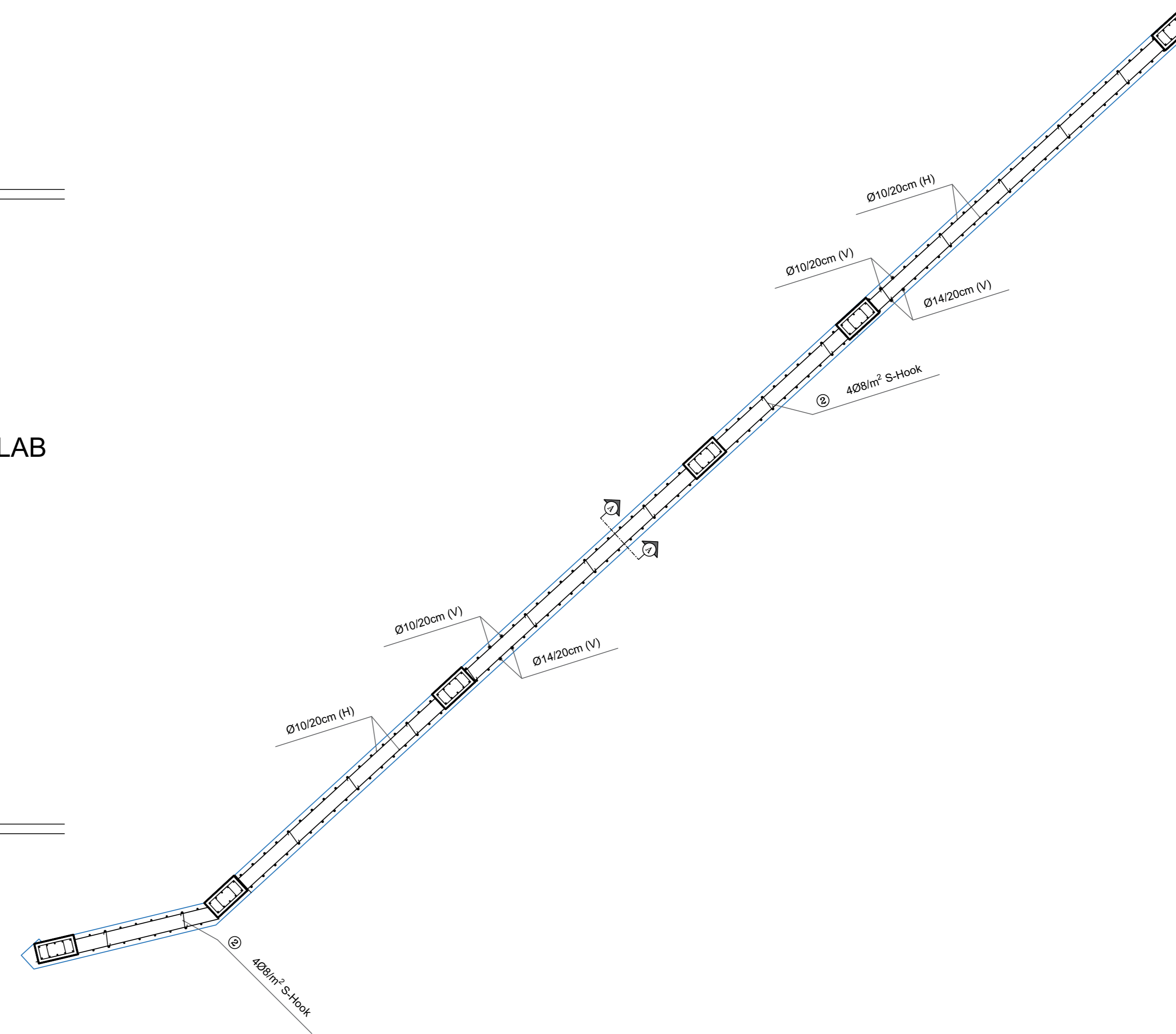
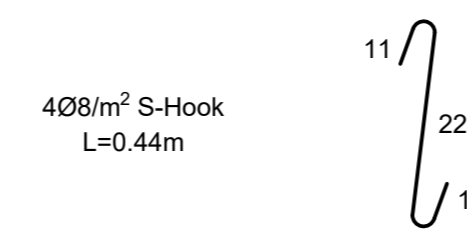
Section (A-A)



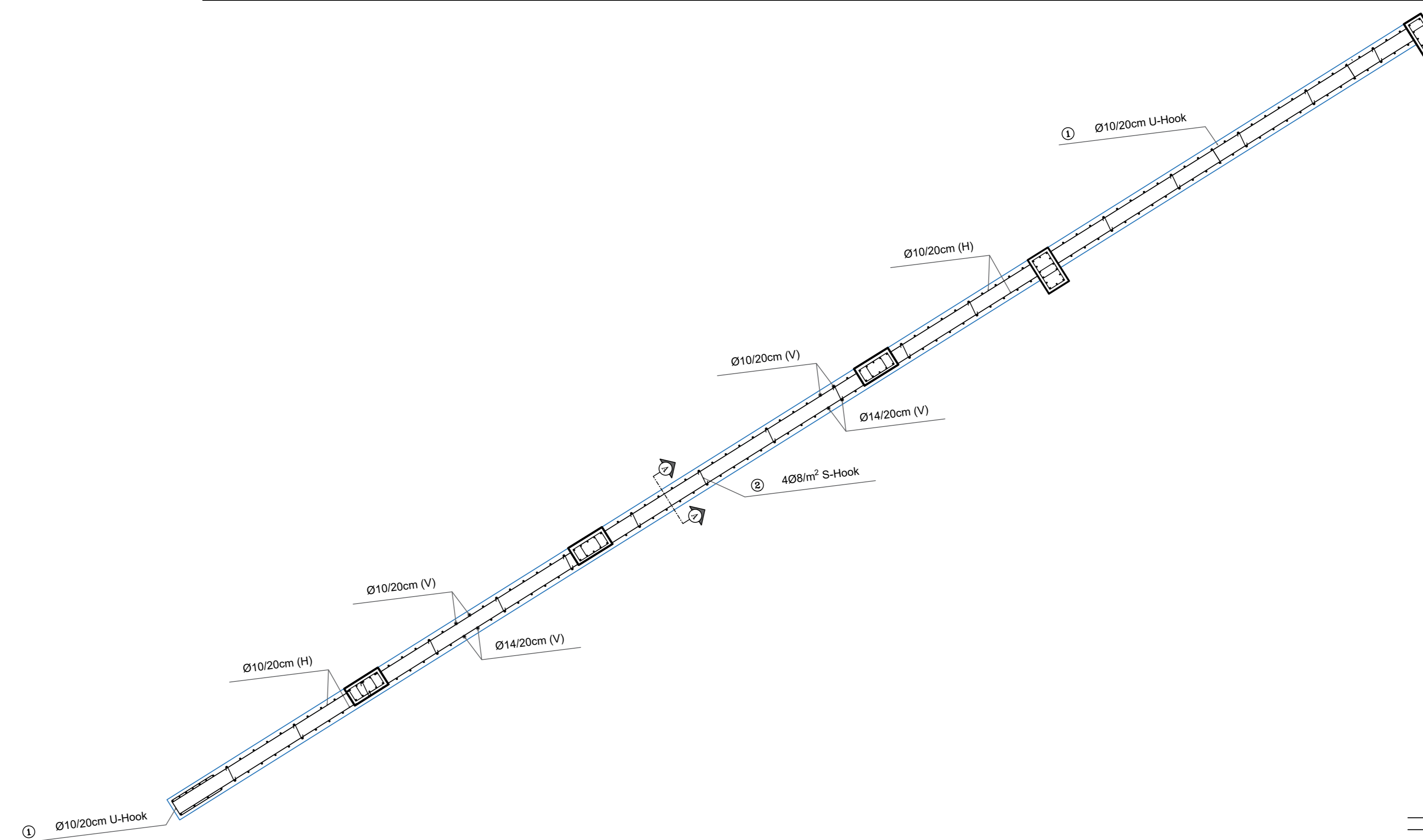
Connection between Wall & Slab



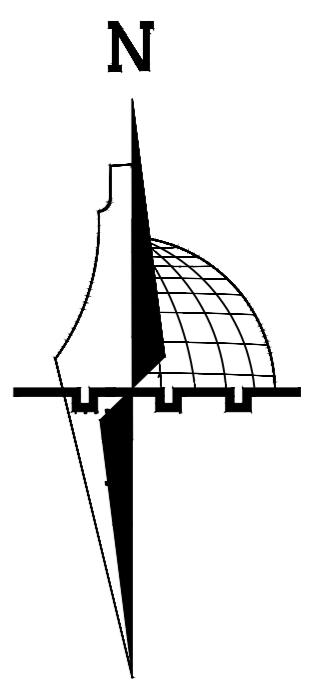
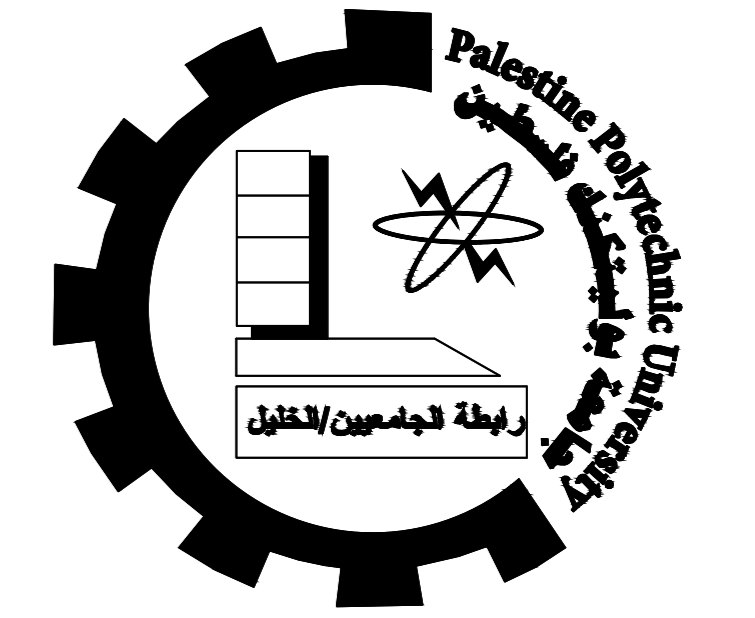
POSITION (1) - S-HOOK DETAIL



BASEMENT WALL (2) - BASEMENT (-1) FLOOR



Palestine Polytechnic University



project title :

structural design for a commercial residential building in the city of Hebron

Done by :

Rinad AL-Abed
Qamar AL-Anatsheh

supervisor:

Eng. Inas shaweki

scale:

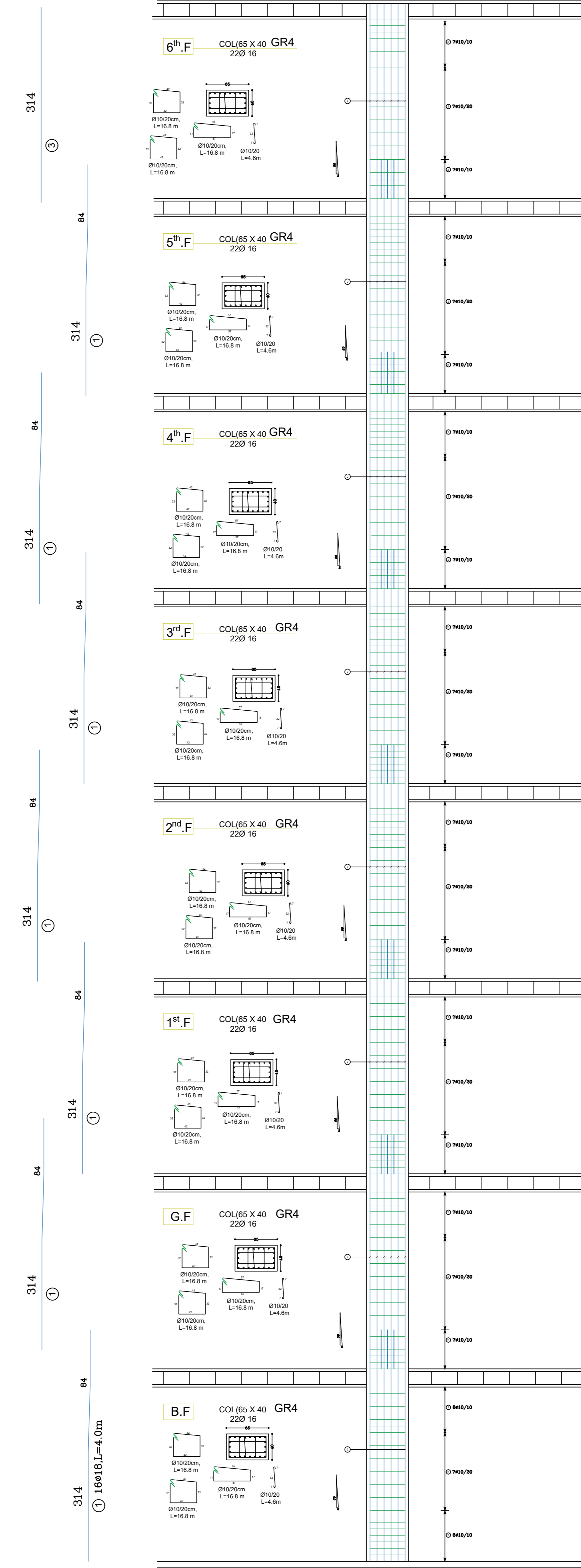
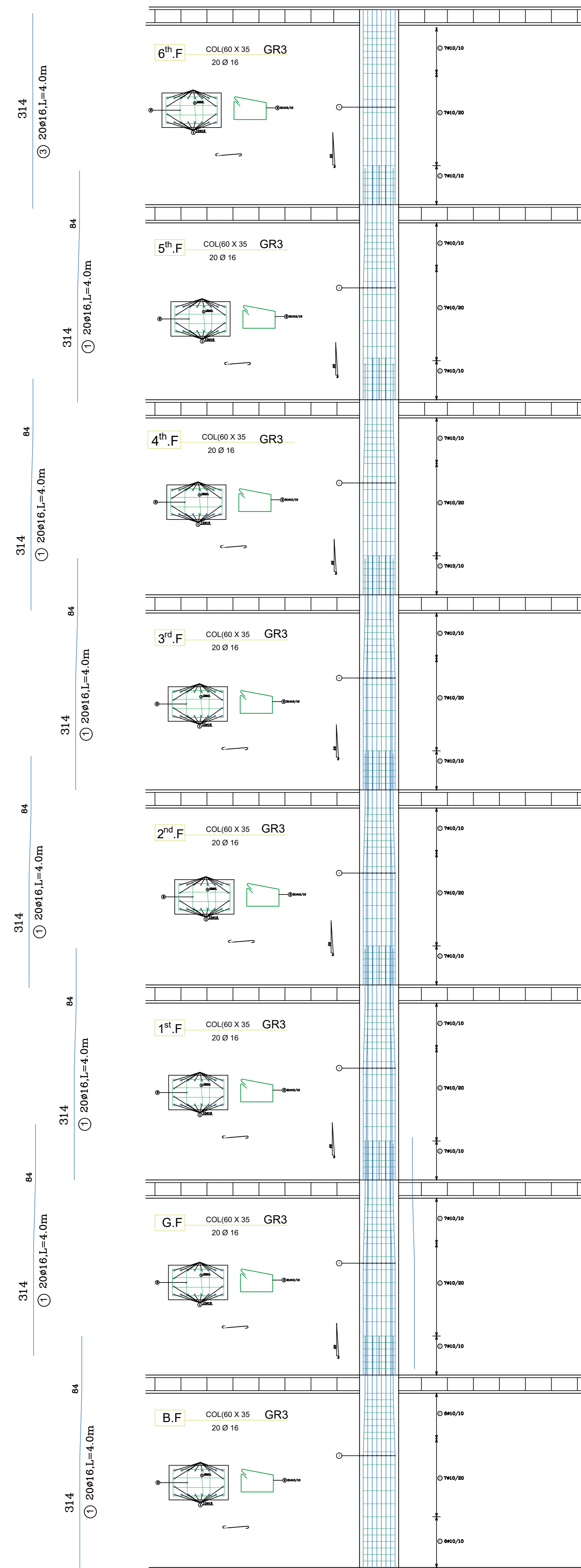
No. of DRAW

S04

DATE:

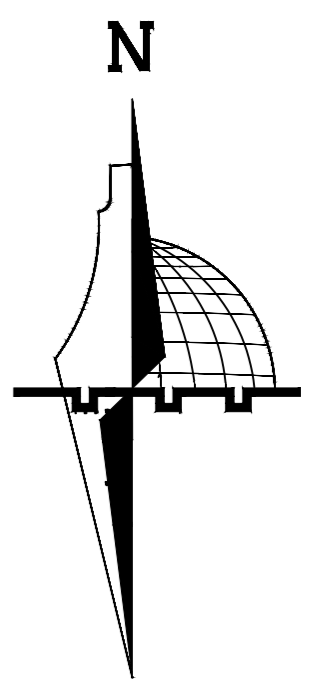
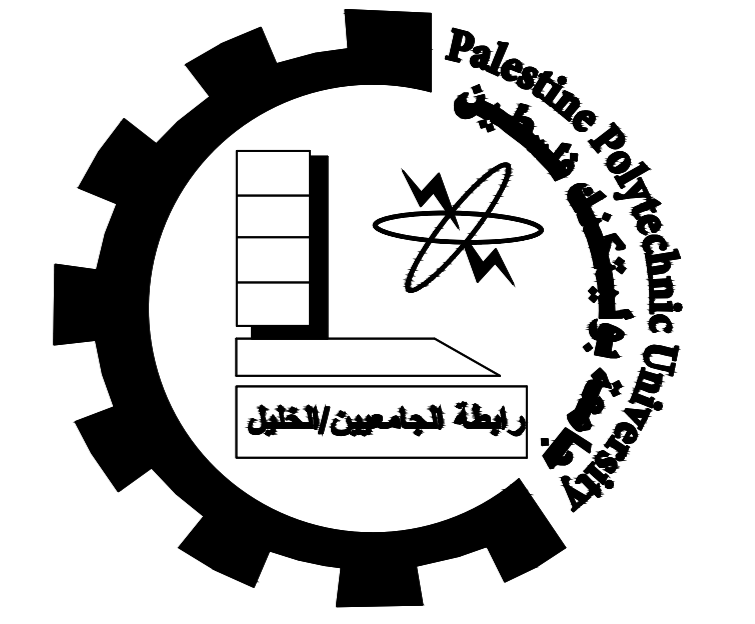
23/5/2023

COULMNS SECTION plan



Hatching Key

Palestine Polytechnic University



project title :
structural design for a commercial
residential building in the city of Hebron

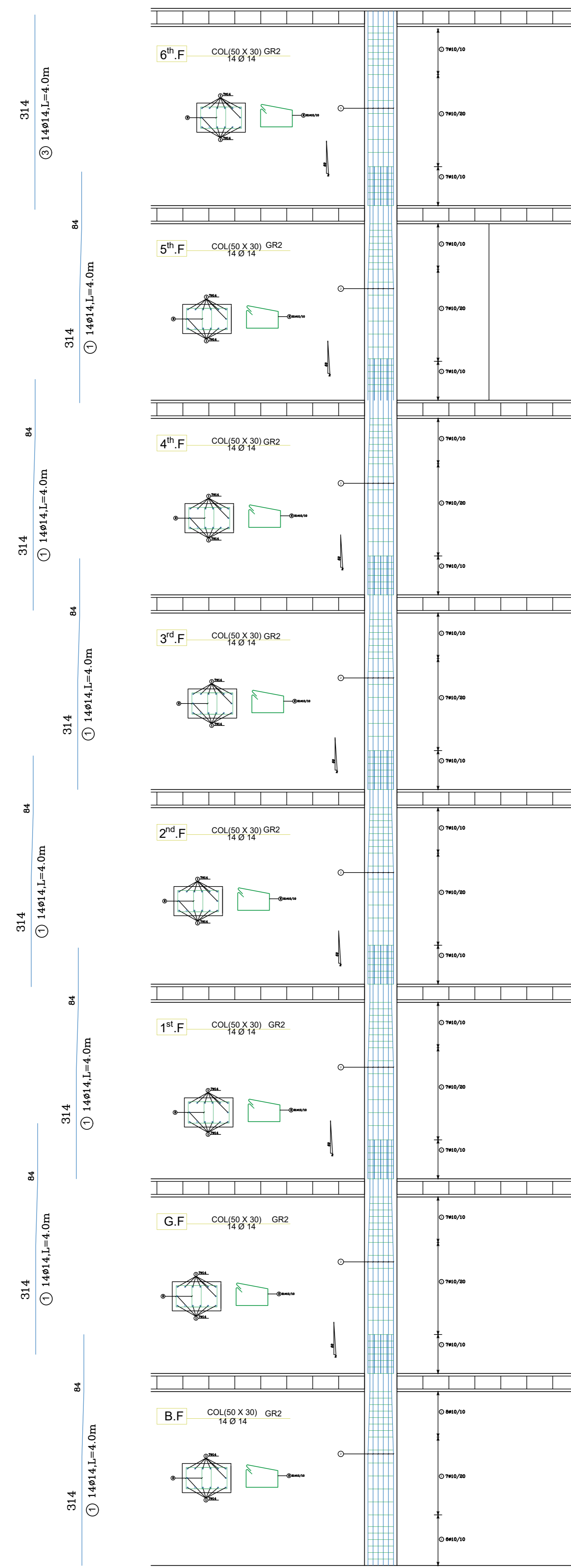
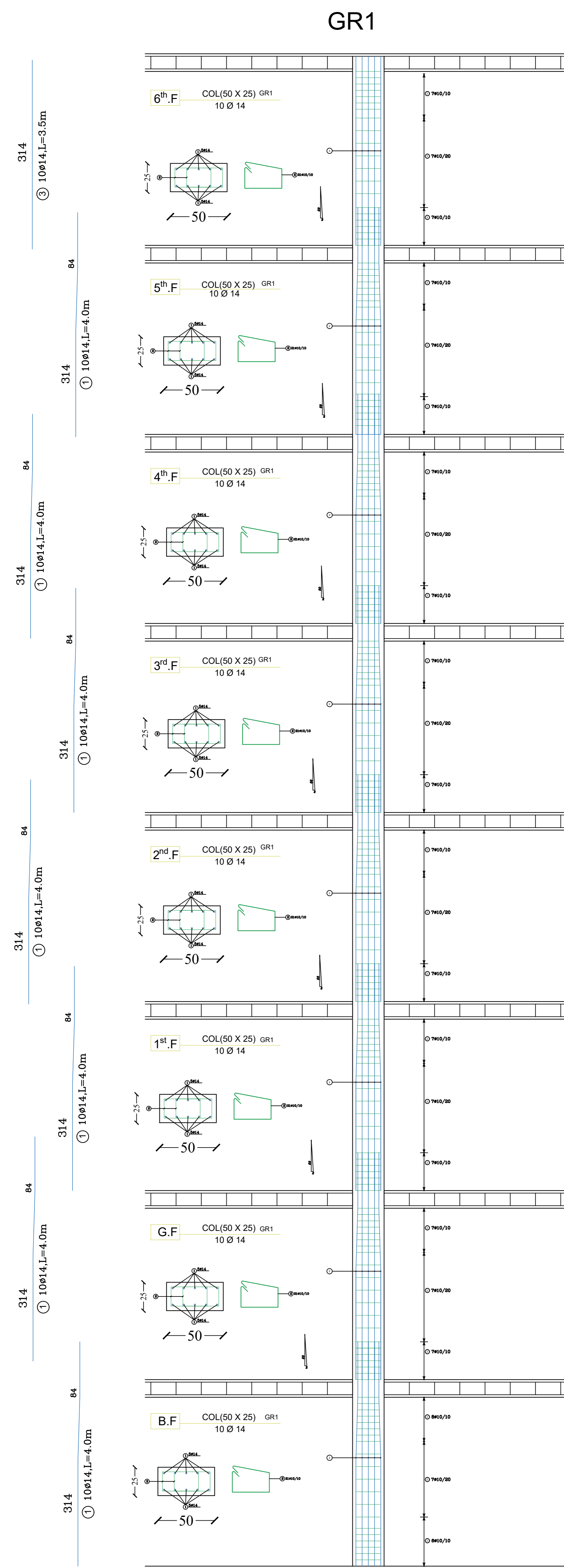
Done by :
Rinad Al-Abed
Qamar Al-Anatsheh

supervisor:
Eng. Inas shaweki

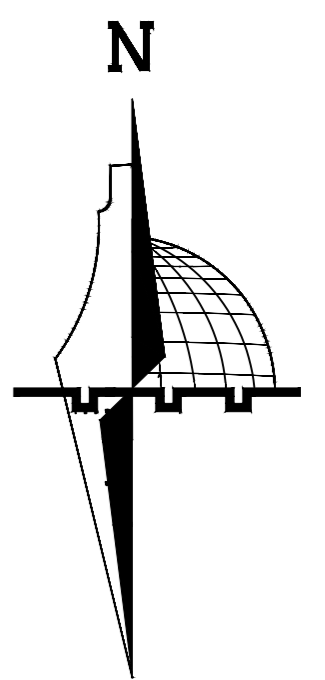
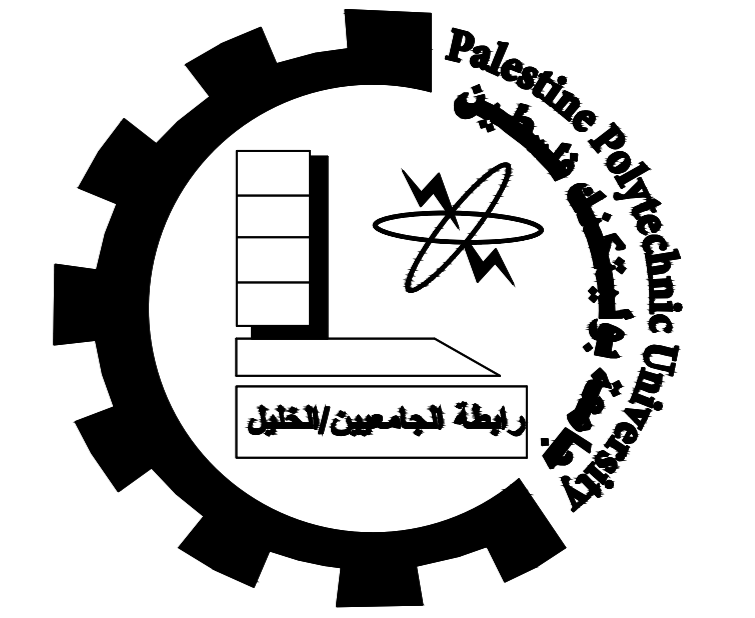
scale:
No. of
DRAW **S05**

DATE: 23/5/2023

COULMNS SECTION plan



Palestine Polytechnic University



project title :

structural design for a commercial residential building in the city of Hebron

Done by :

Rinad AL-Abed
Qamar AL-Anatsheh

supervisor:

Eng. Inas shaweki

scale:

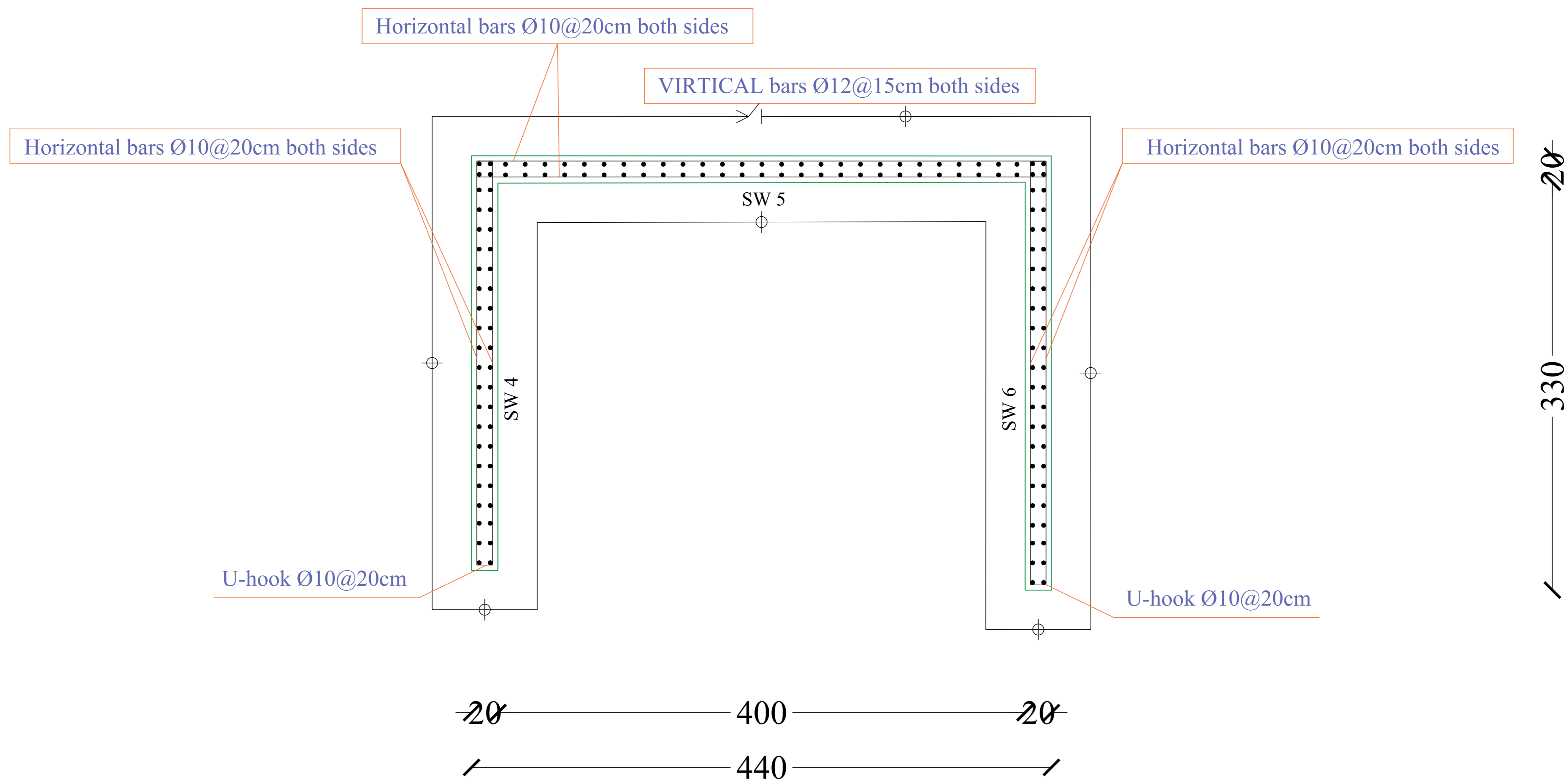
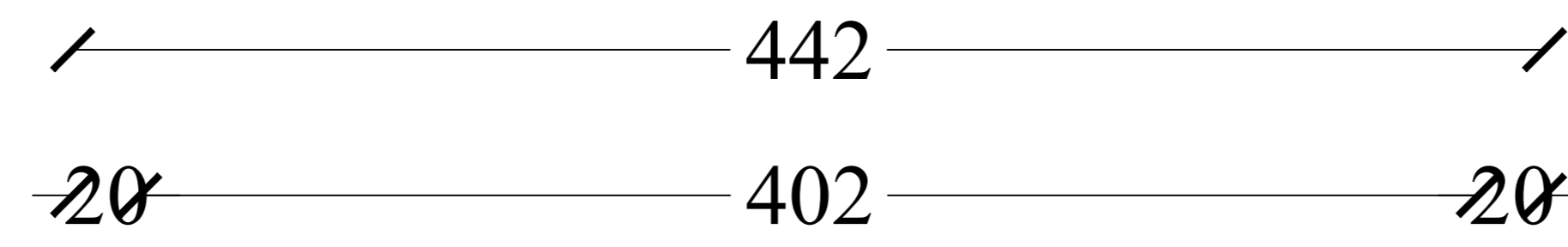
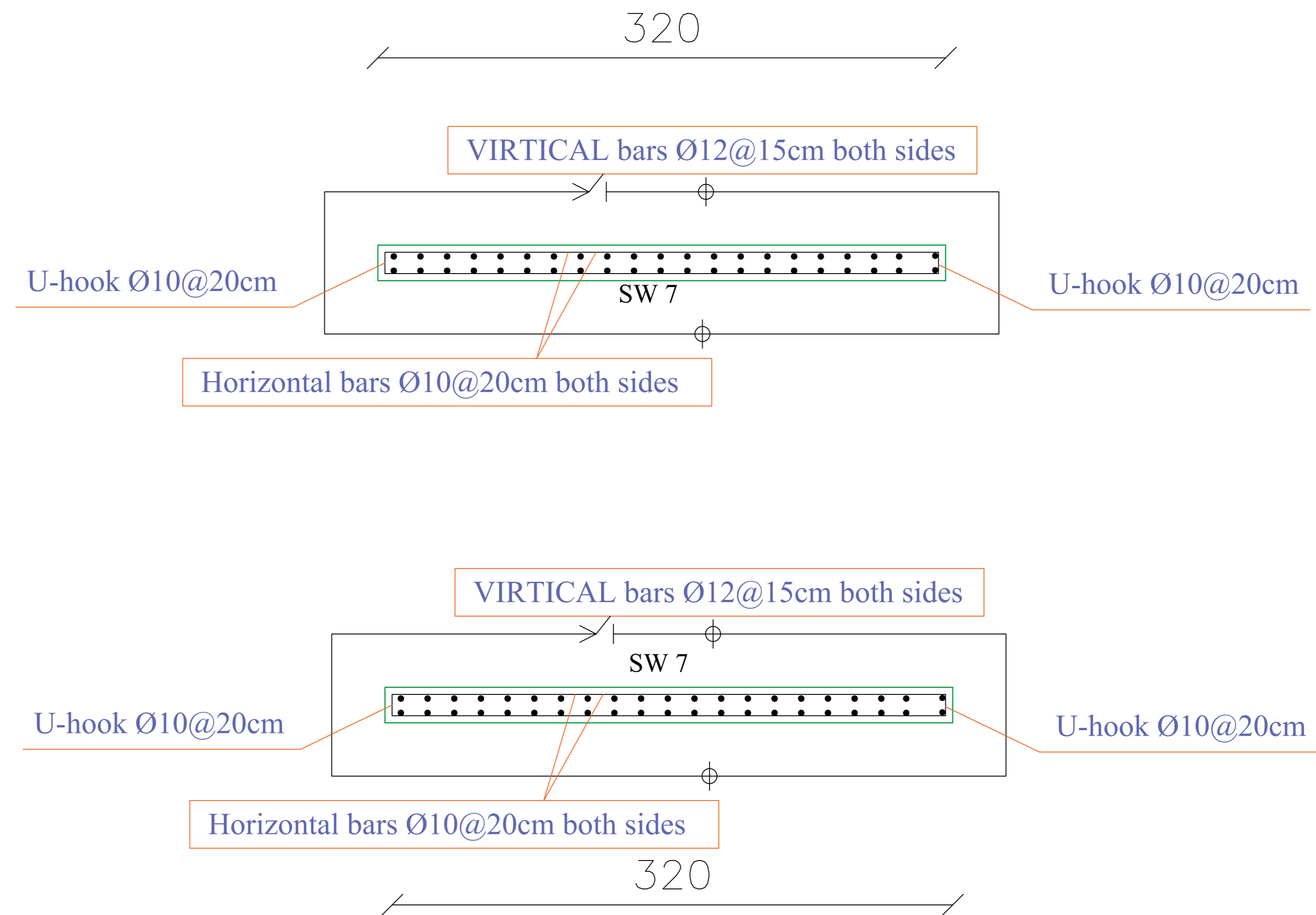
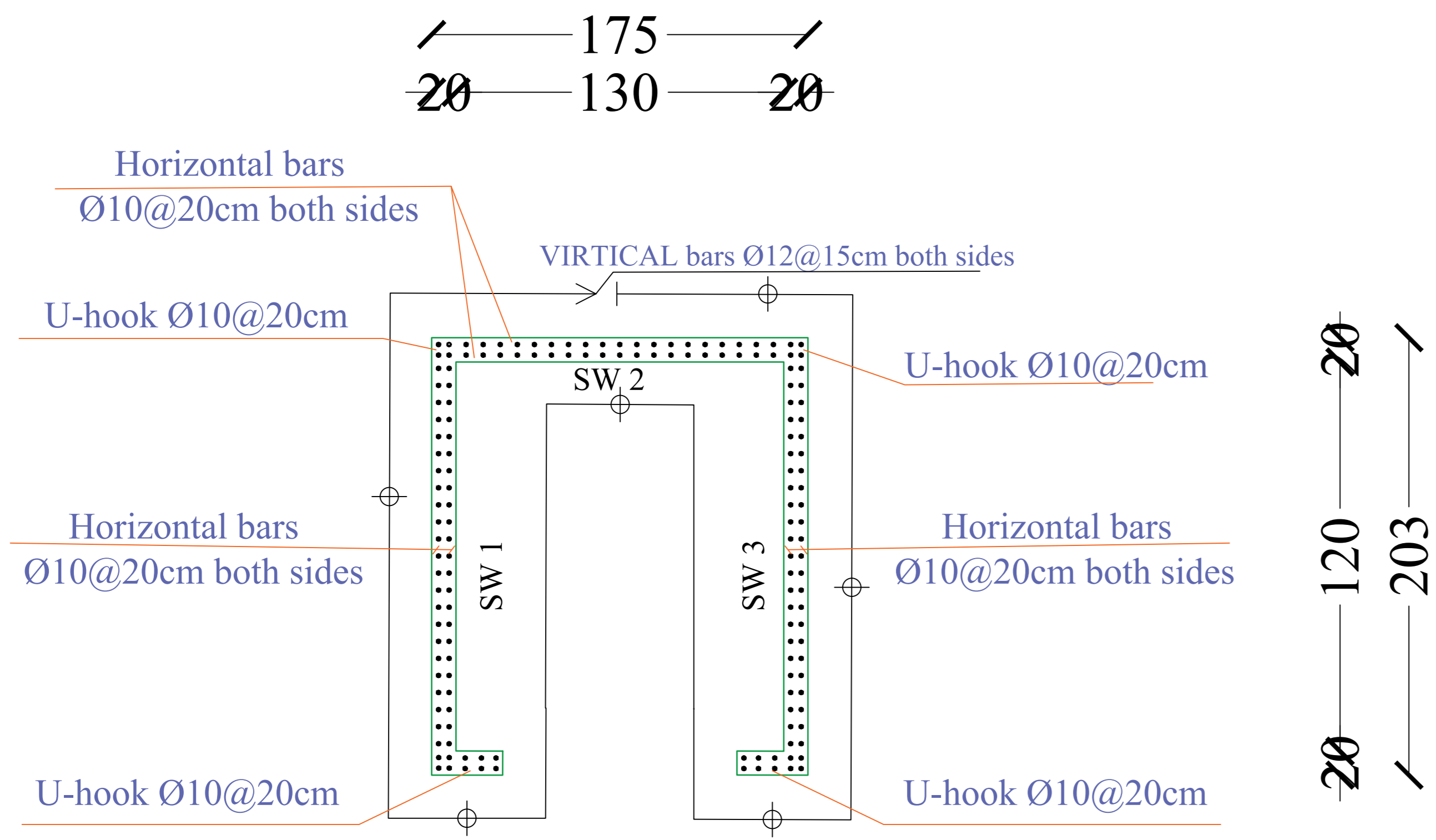
No. of DRAW

S06

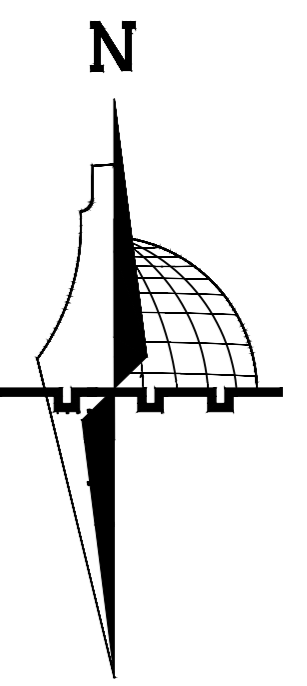
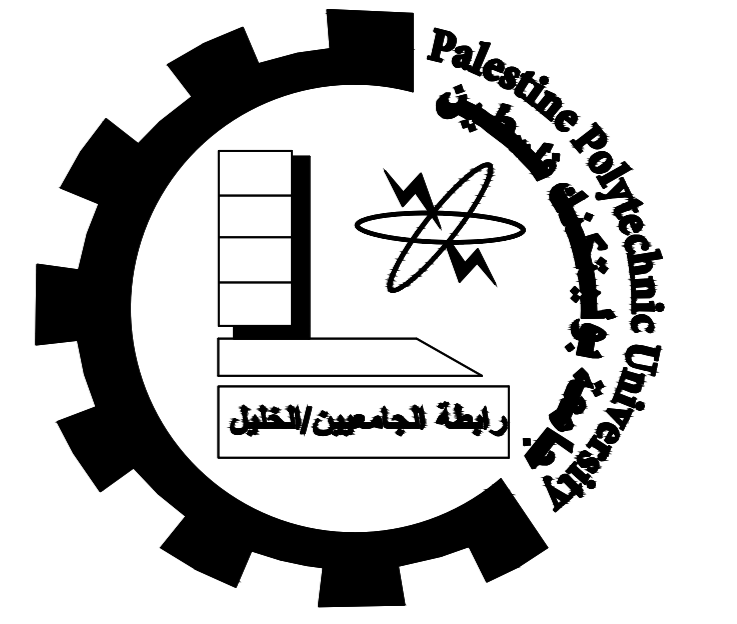
DATE:

23/5/2023

SHEAR WALL DETAILS plan



Palestine Polytechnic University



project title :

structural design for a commercial residential building in the city of Hebron

Done by :

Rinad AL-Abed
Qamar AL-Anatsheh

supervisor:

Eng. Inas shaweki

scale:

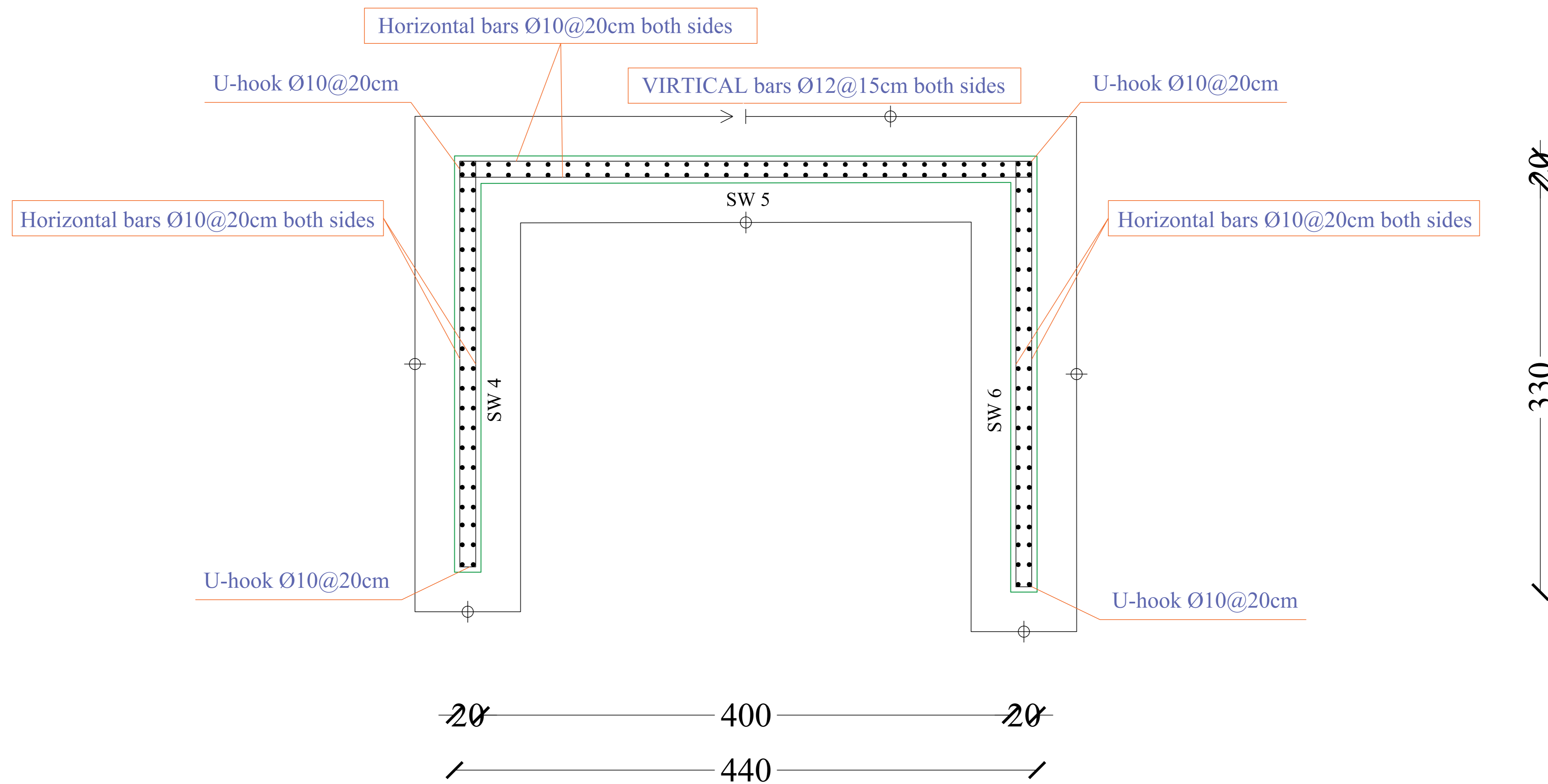
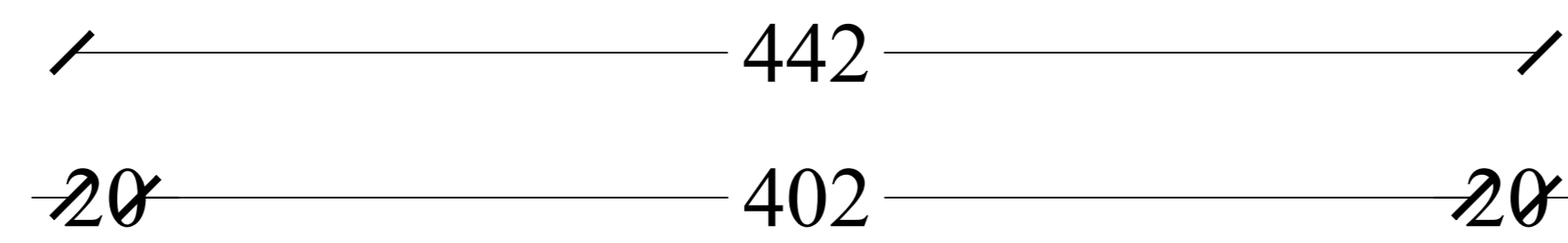
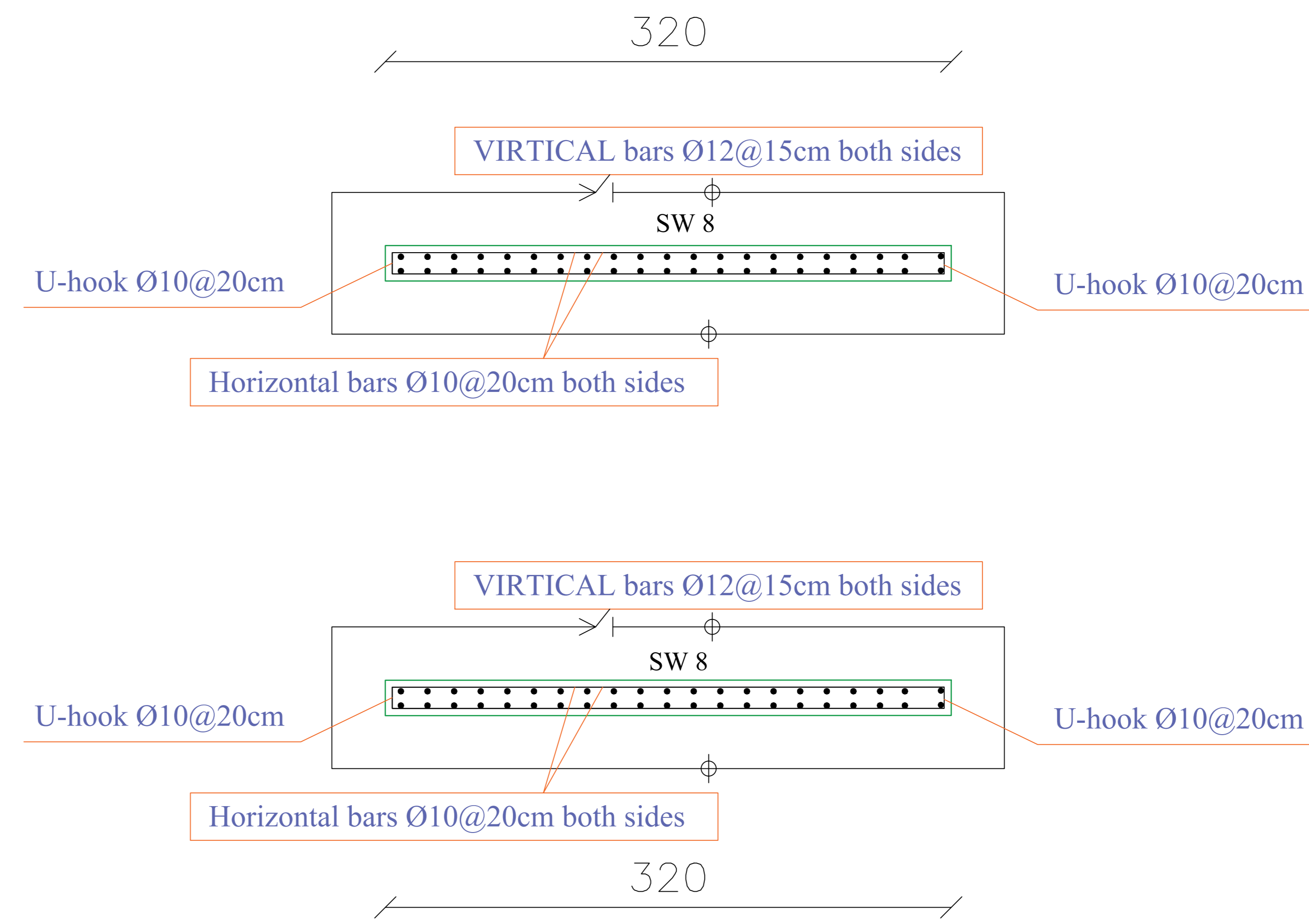
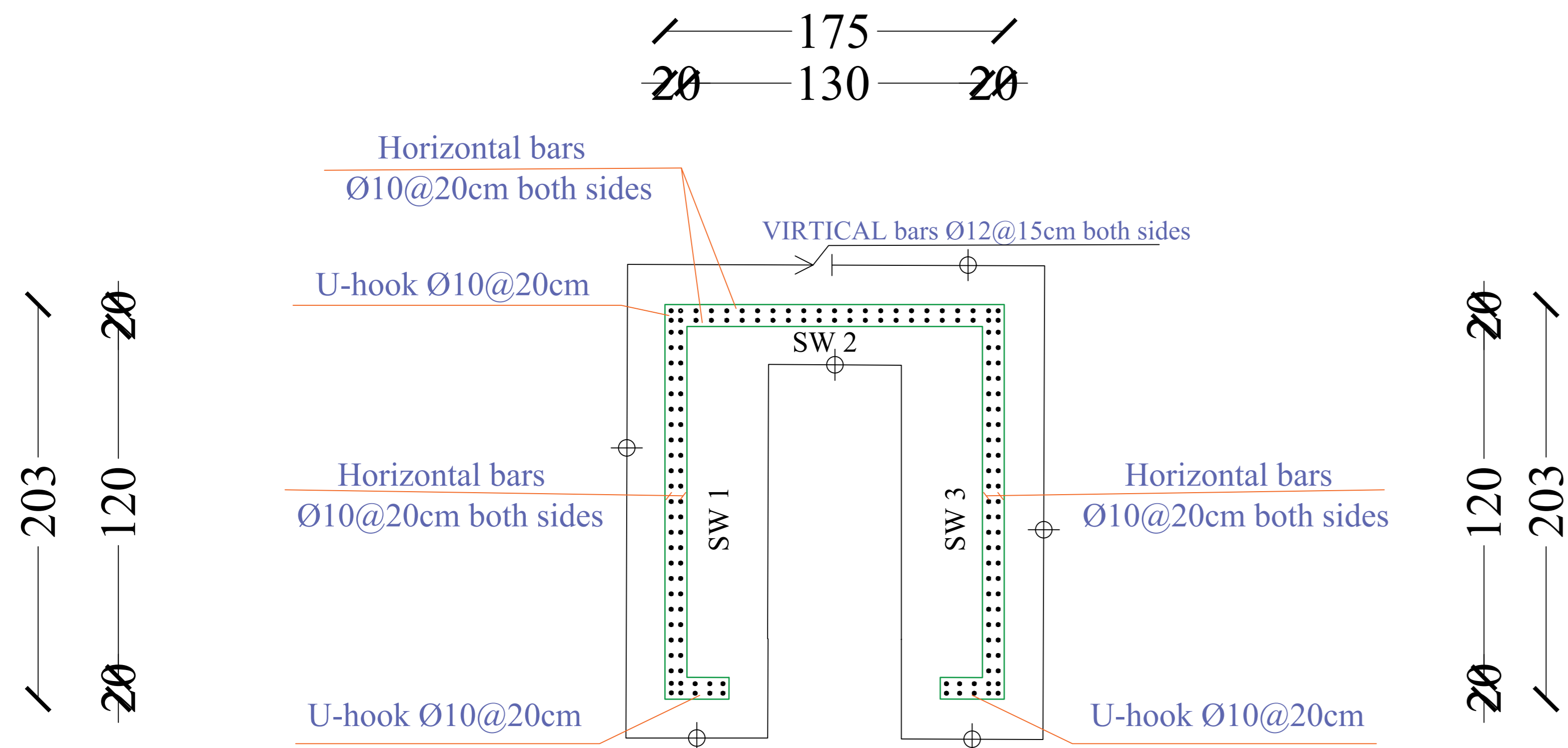
No. of DRAW

S07

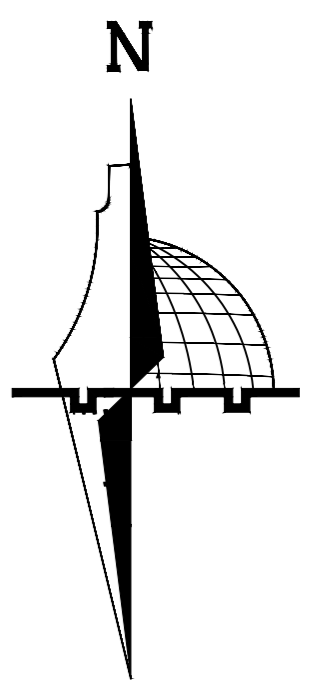
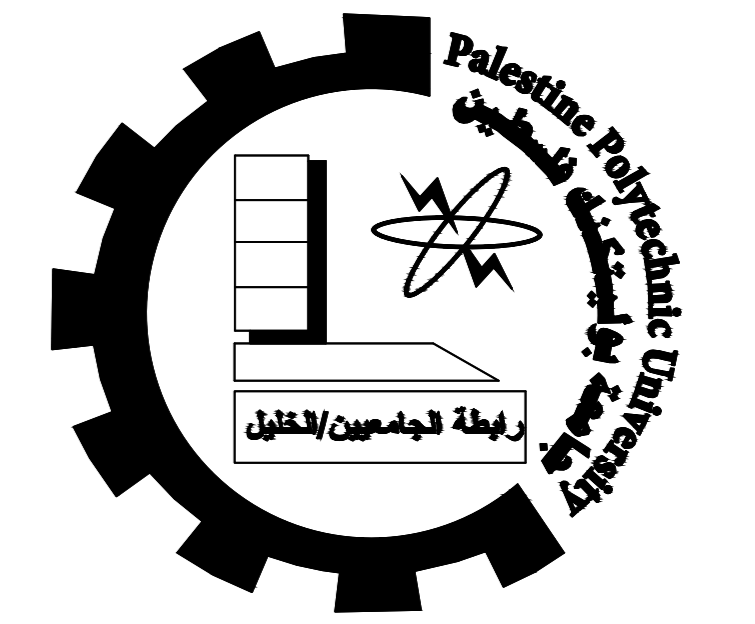
DATE:

23/5/2023

SHEAR WALL DETAILS plan



Palestine Polytechnic University



project title :
structural design for a commercial residential building in the city of Hebron

Done by :
Rinad AL-Abed
Qamar AL-Anatsheh

supervisor:
Eng. Inas shweki

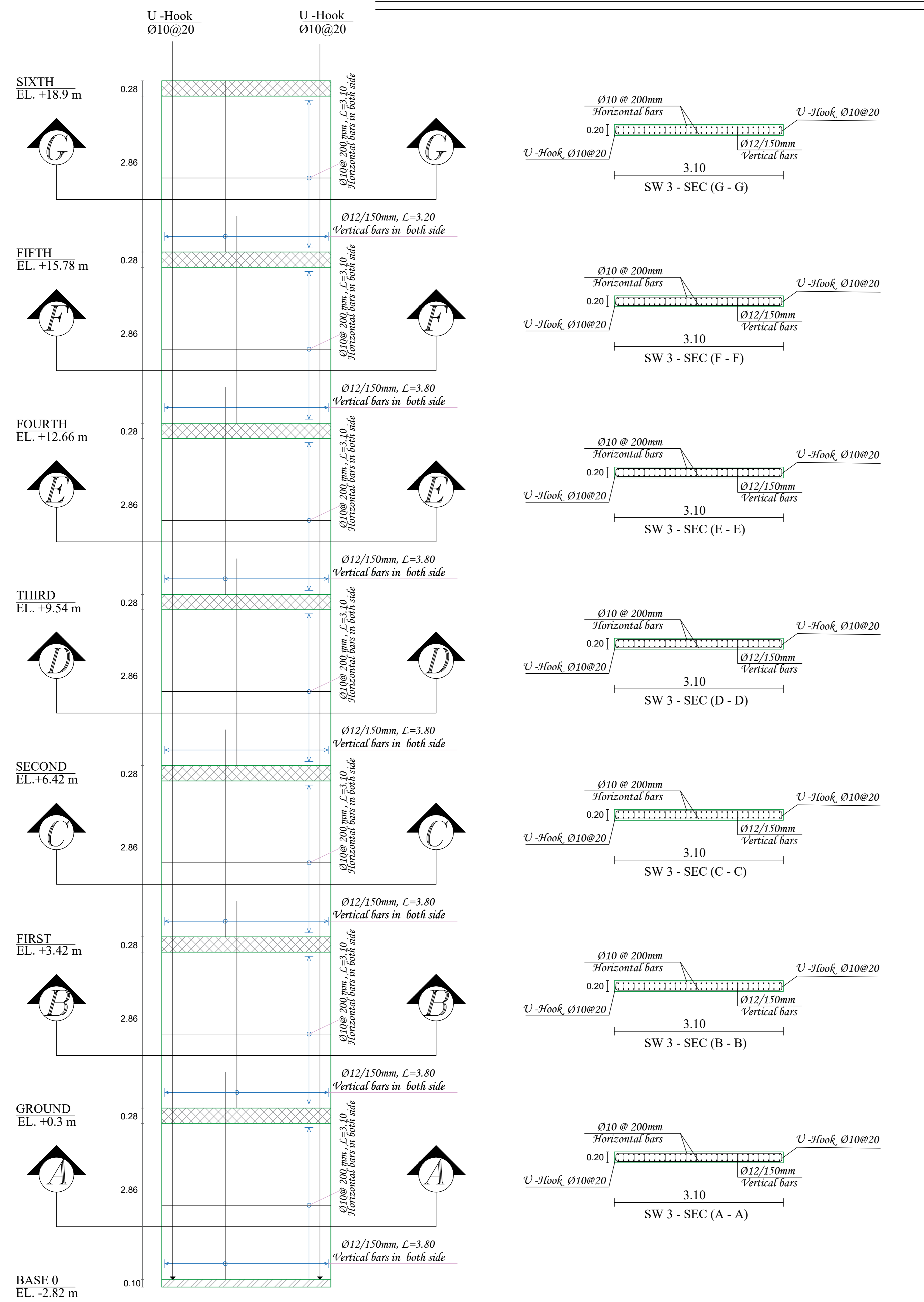
scale:

No. of DRAW

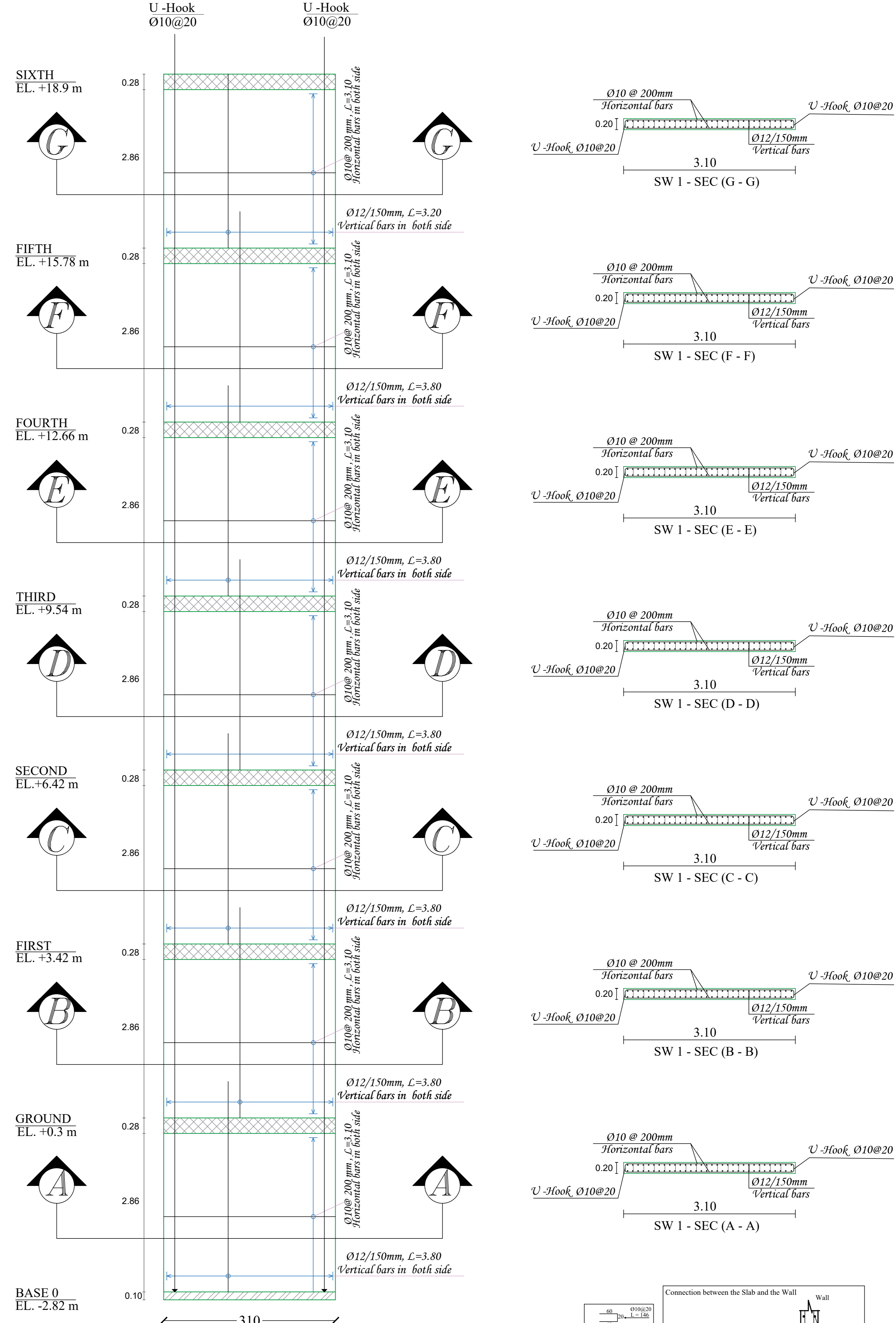
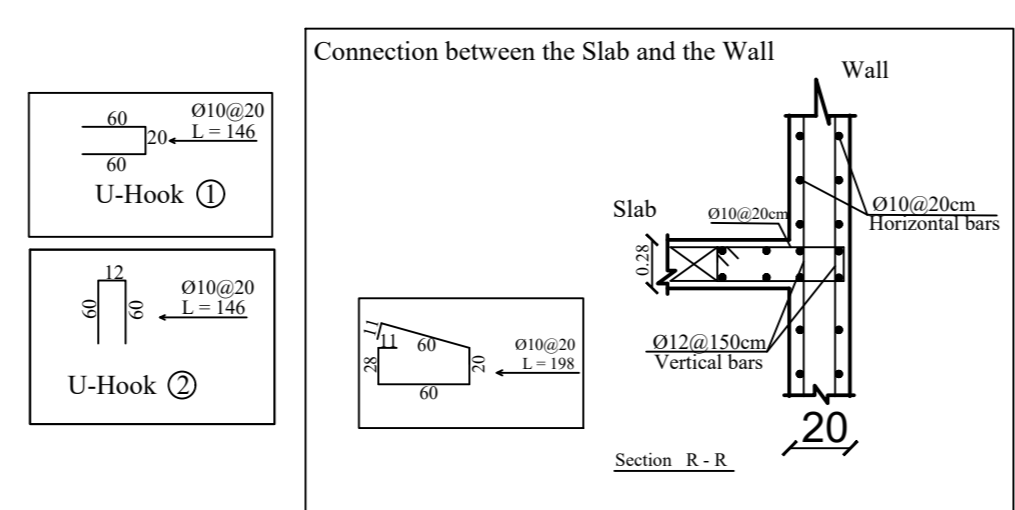
S08

DATE: 23/5/2023

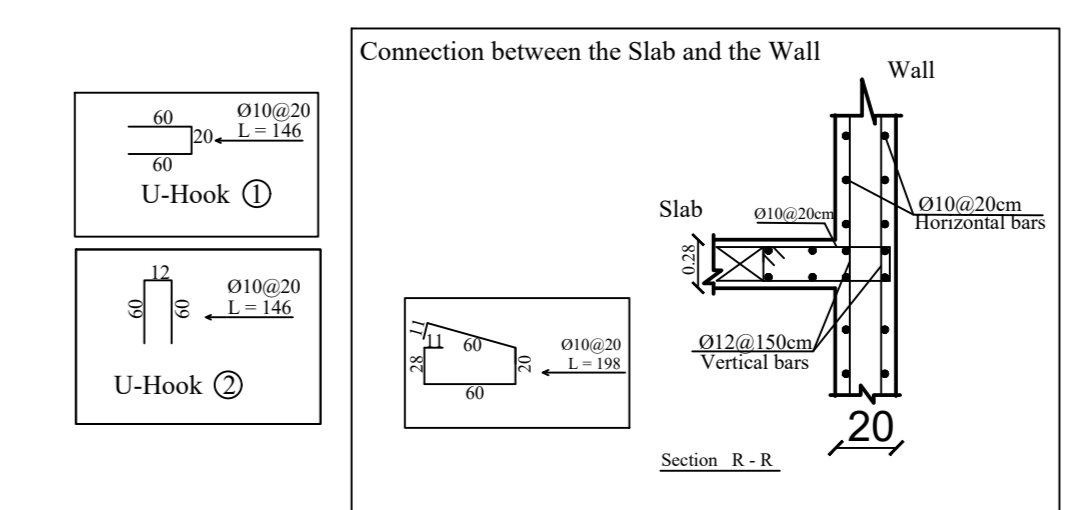
SHEAR WALL DETAILS plan



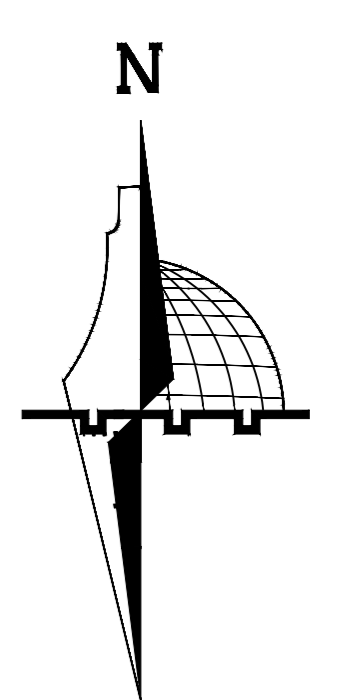
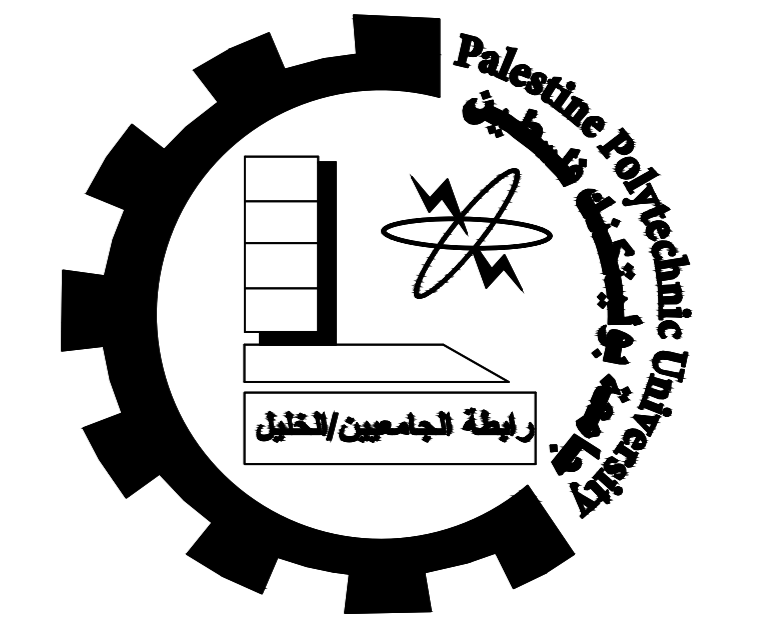
SW 4
(Scale 1:100)



SW 6
(Scale 1:100)



Palestine Polytechnic University



project title :
structural design for a commercial
residential building in the city of Hebron

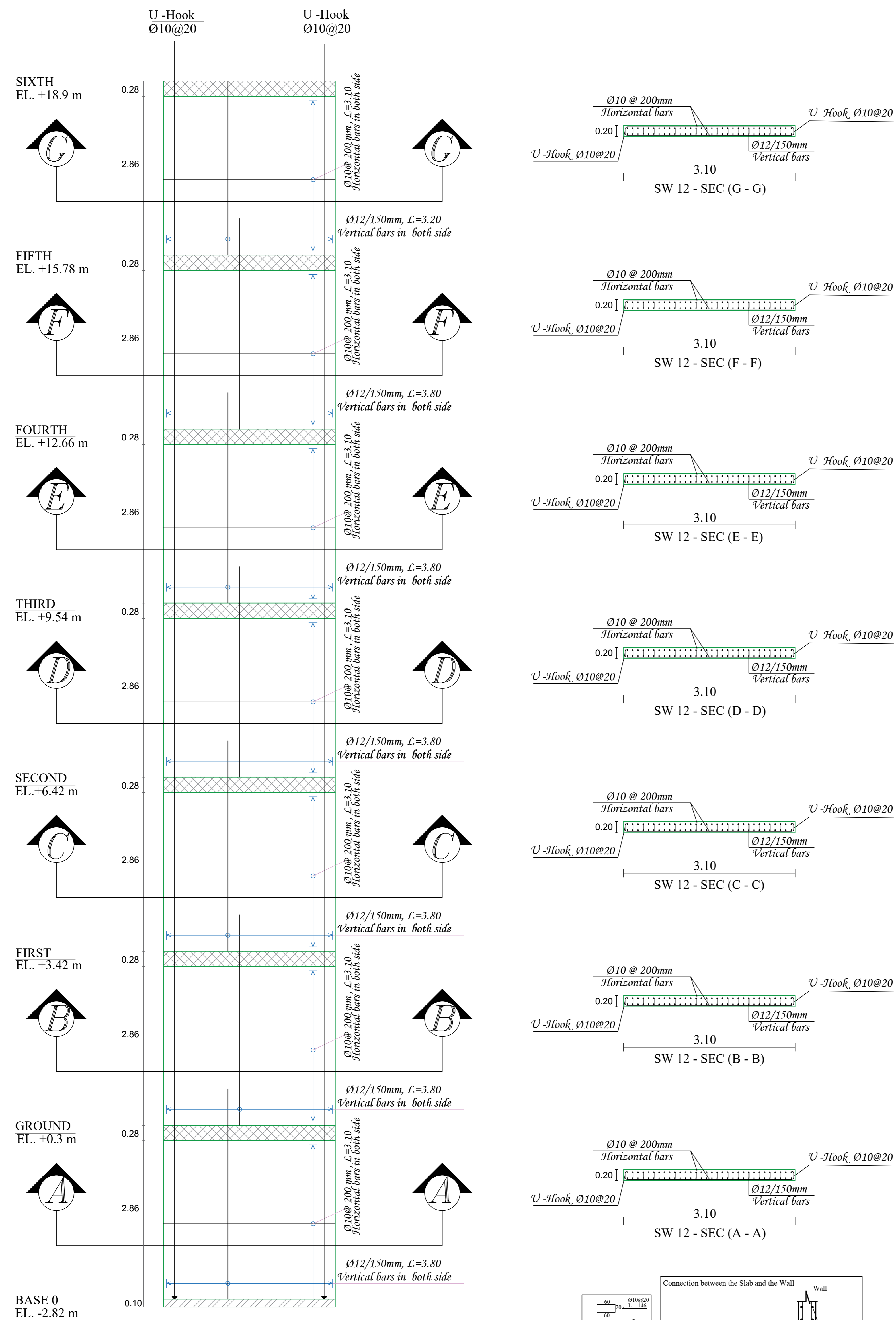
Done by :
Rinad AL-Abed
Qamar AL-Anatsheh

supervisor:
Eng. Inas shweki

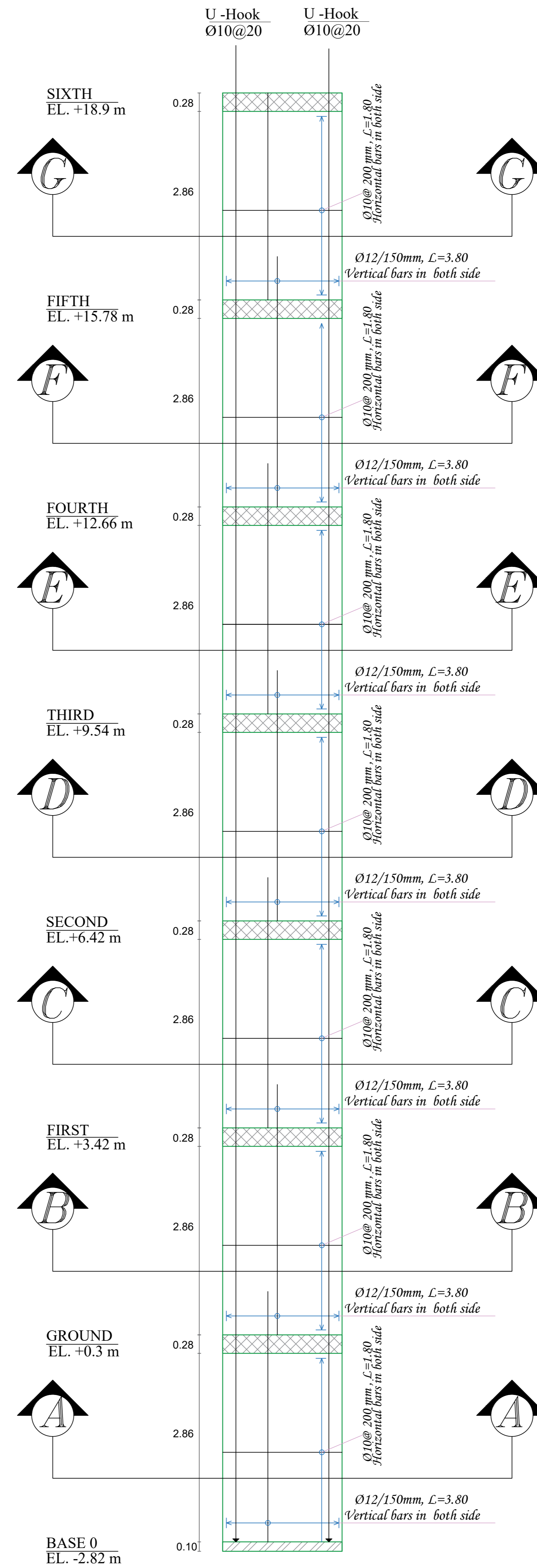
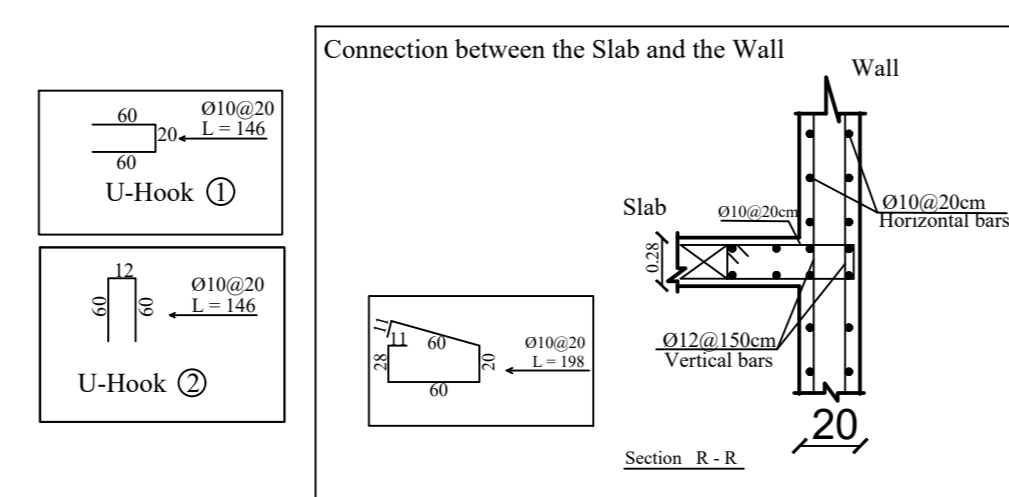
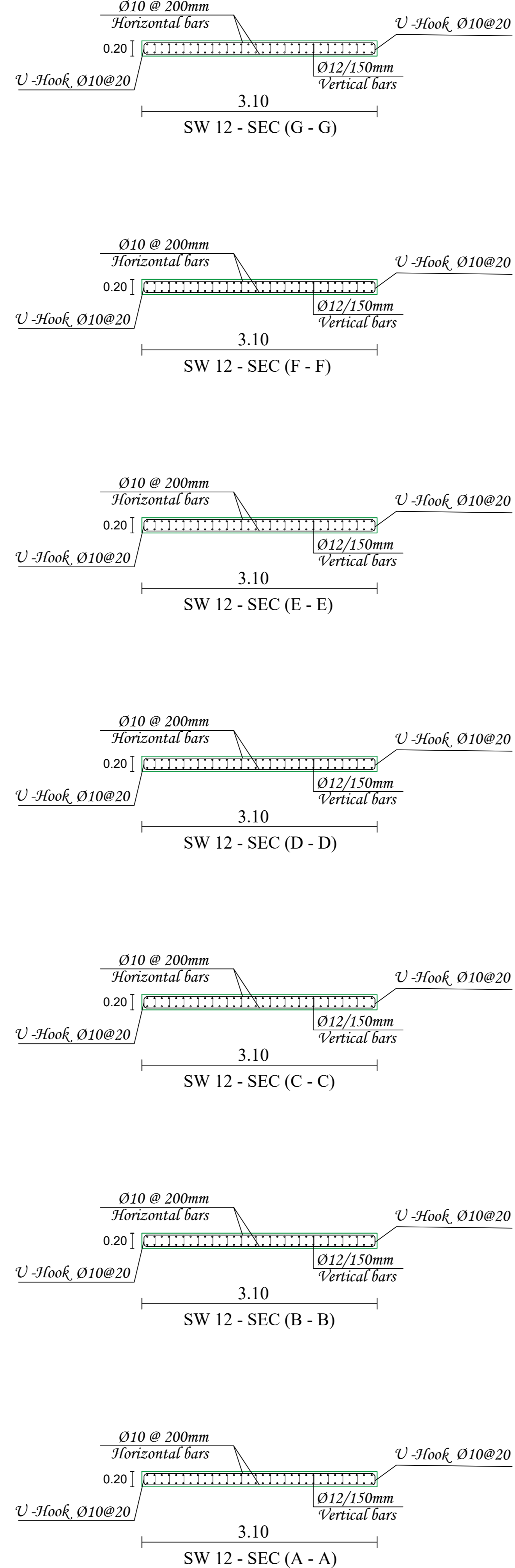
scale:
No. of
DRAW **S09**

DATE: 23/5/2023

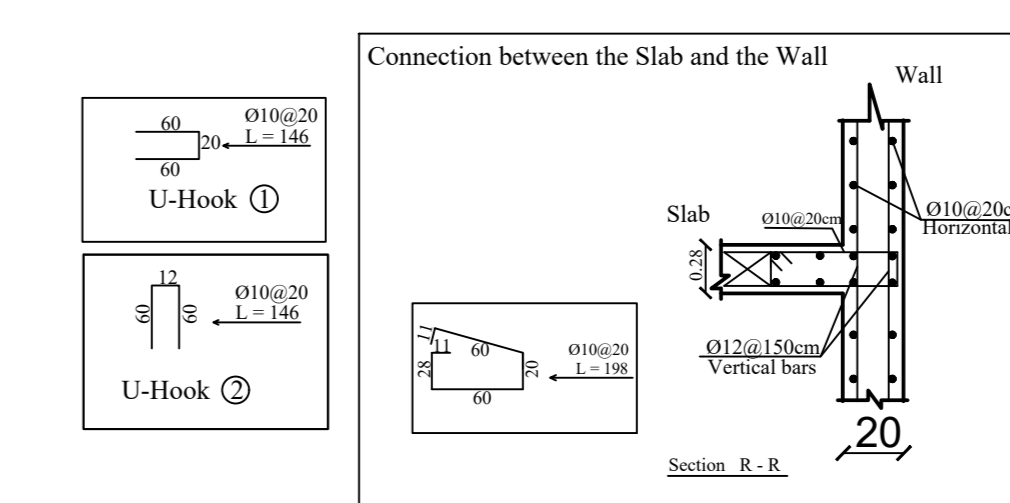
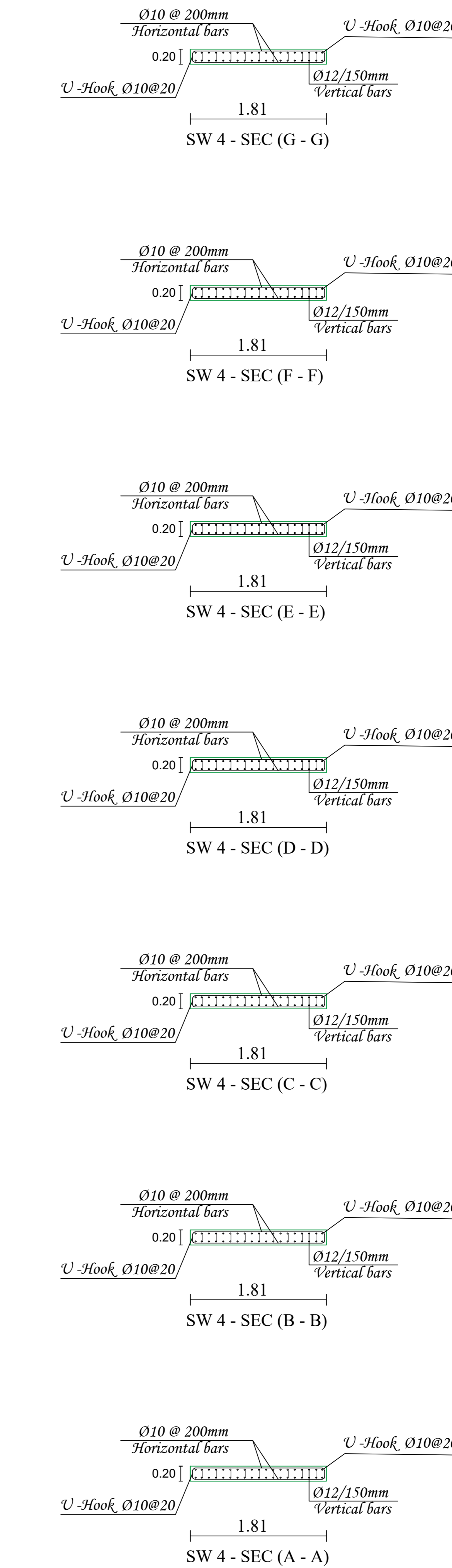
SHEAR WALL DETAILS plan



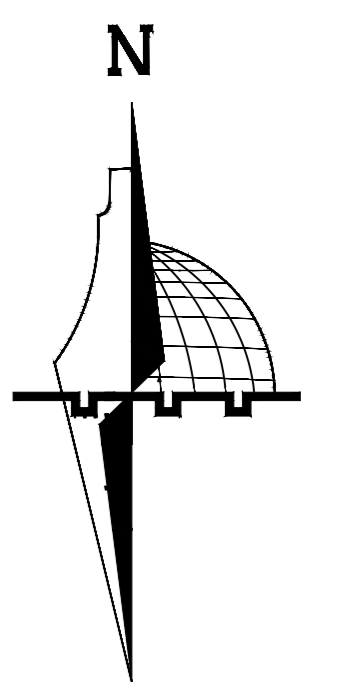
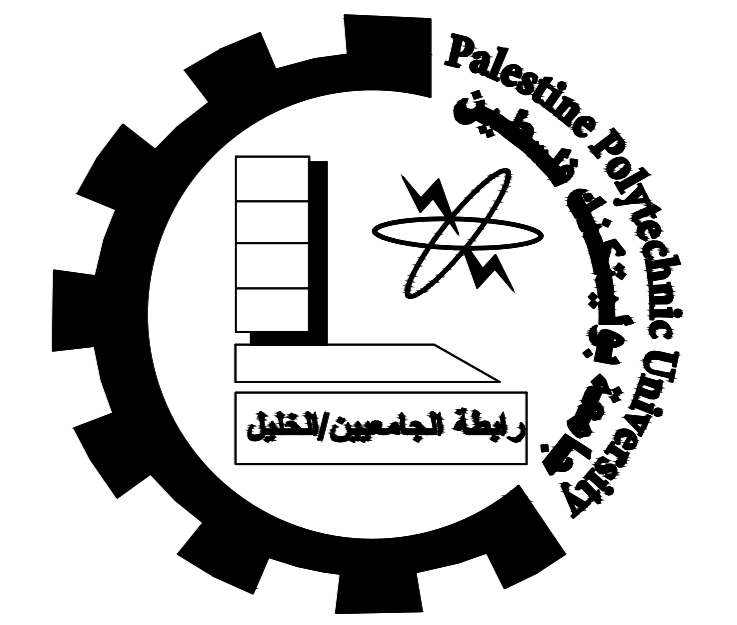
SW 5
(Scale 1:100)



SW 3
(Scale 1:100)



Palestine Polytechnic University



project title :
structural design for a commercial
residential building in the city of Hebron

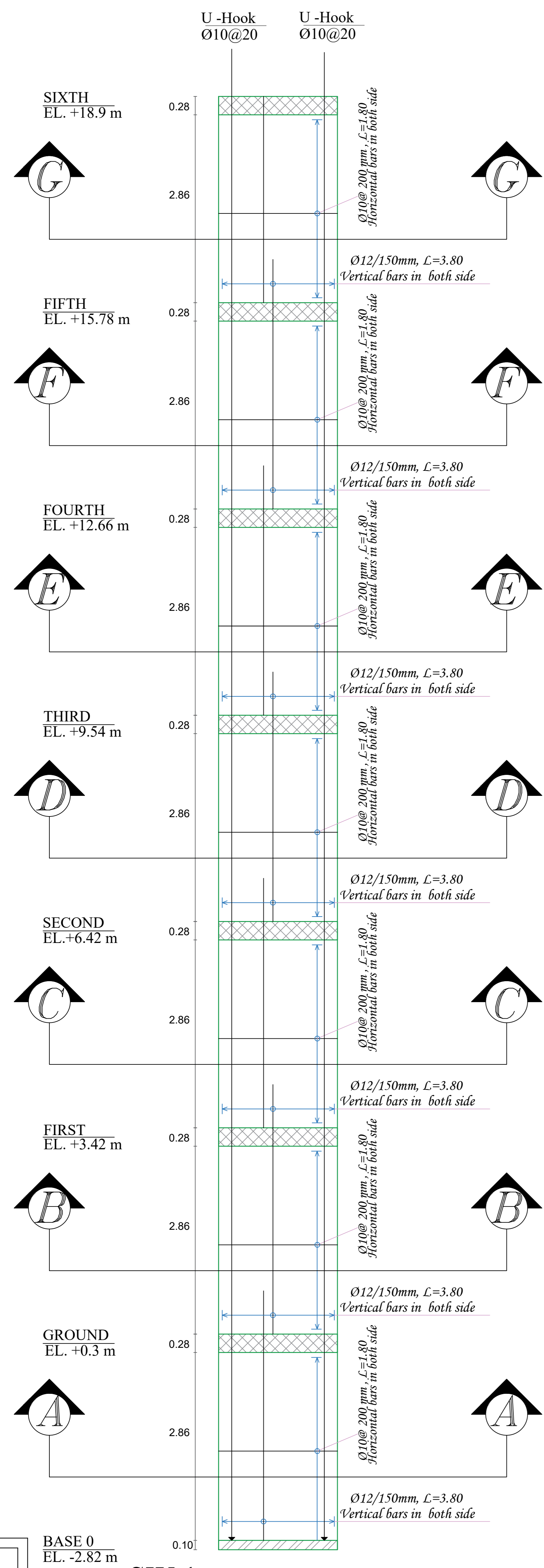
Done by :
Rinad AL-Abed
Qamar AL-Anatsheh

supervisor:
Eng. Inas shweki

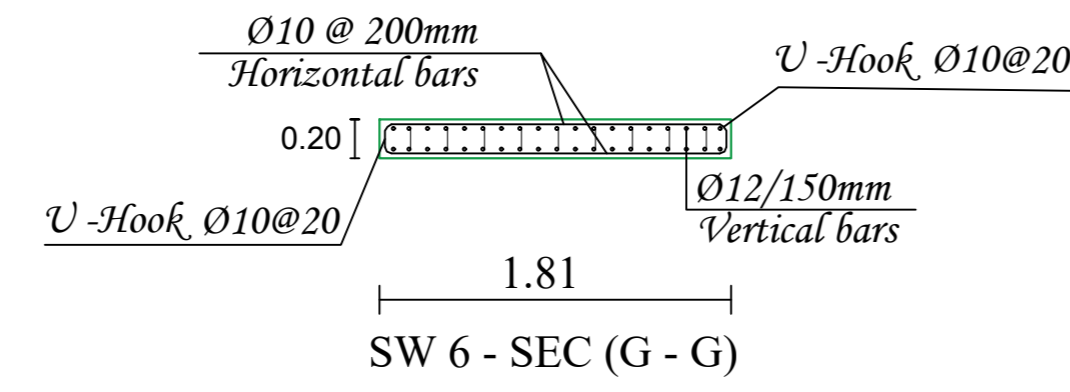
scale:
No. of
DRAW **S10**

DATE: 23/5/2023

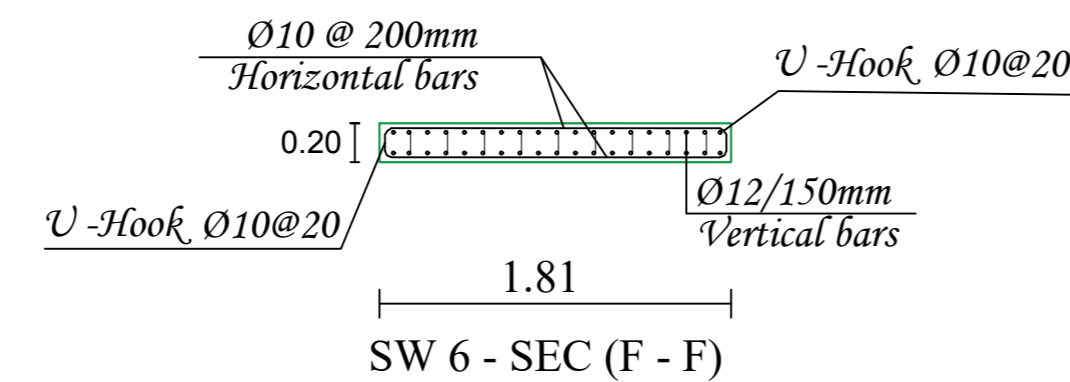
SHEAR WALL DETAILS plan



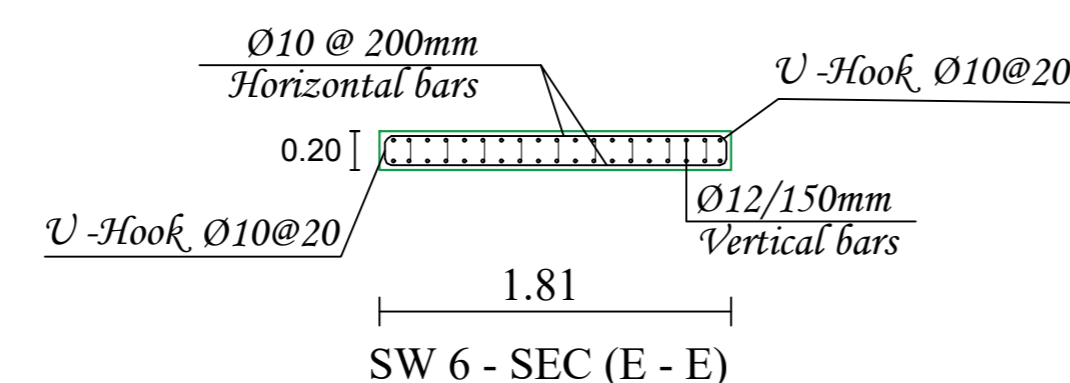
SW 1
(Scale 1:100)



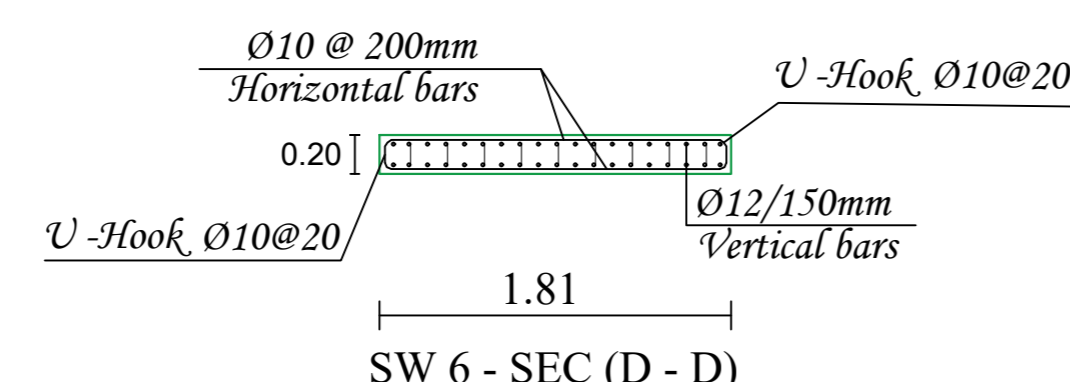
SW 6 - SEC (G - G)



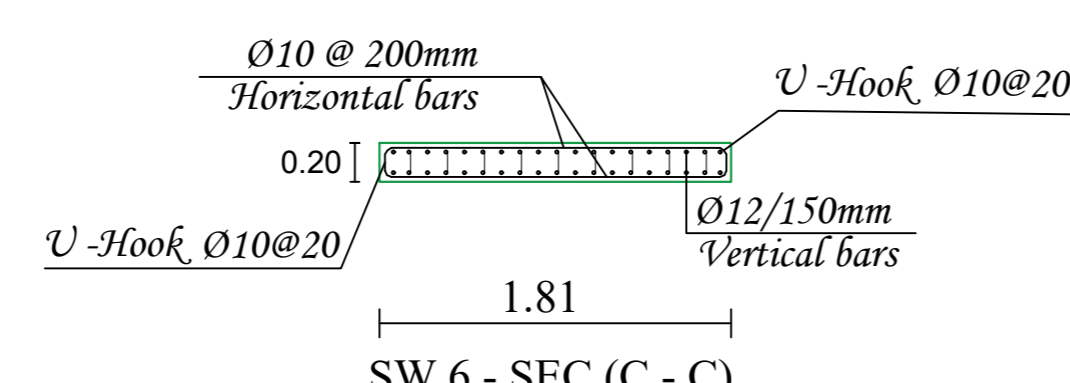
SW 6 - SEC (F - F)



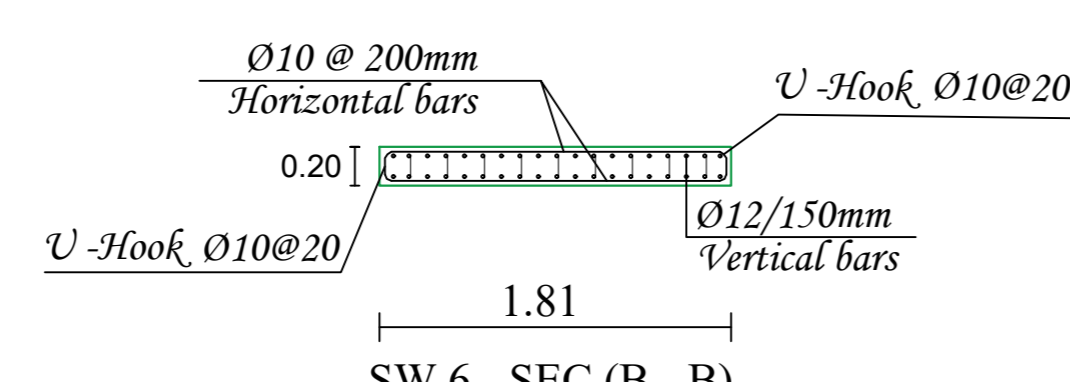
SW 6 - SEC (E - E)



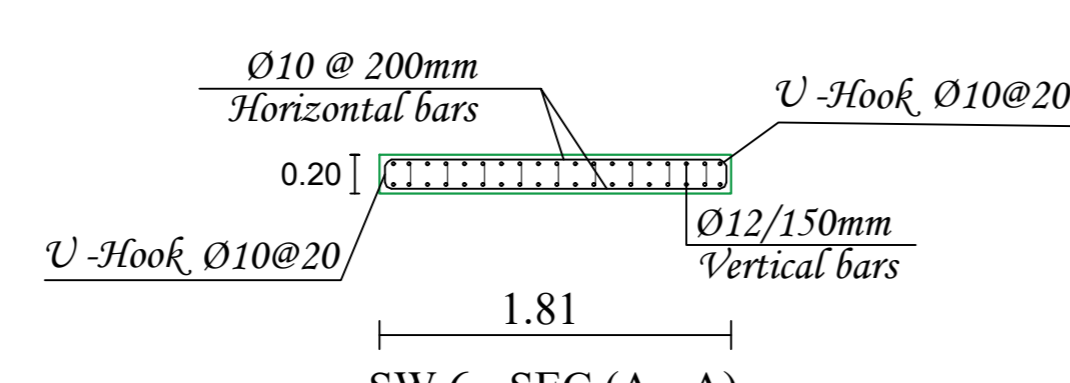
SW 6 - SEC (D - D)



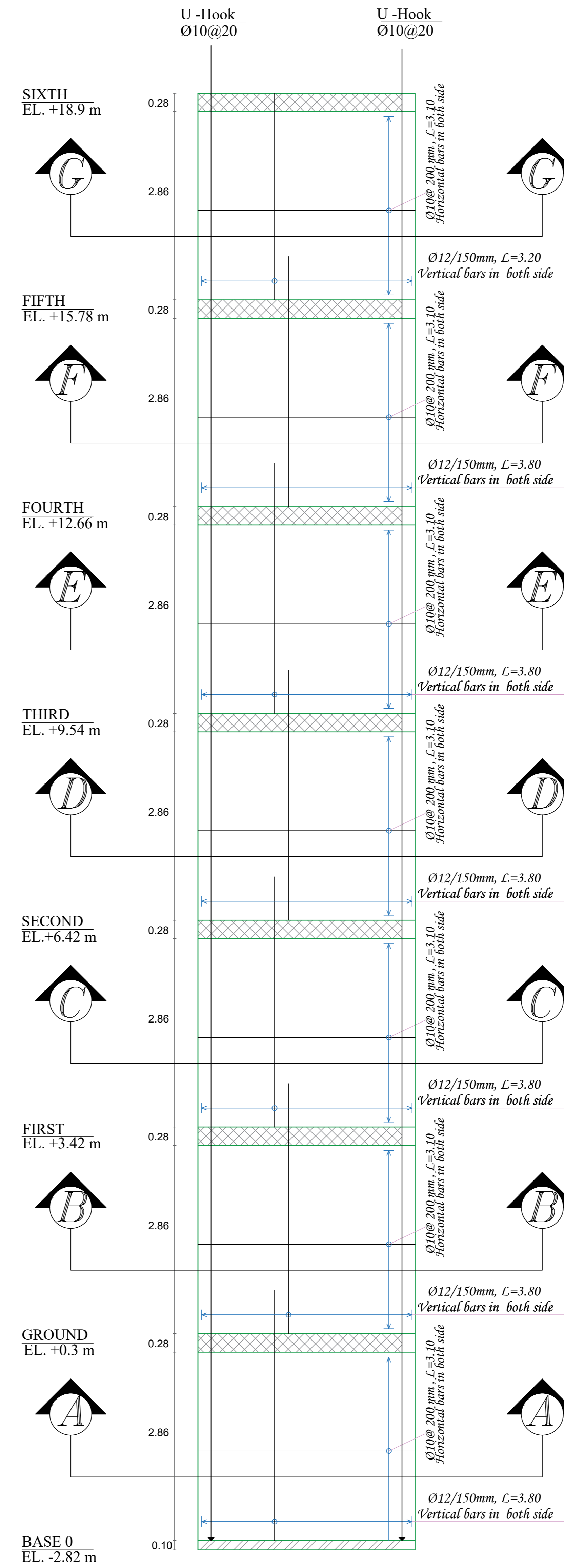
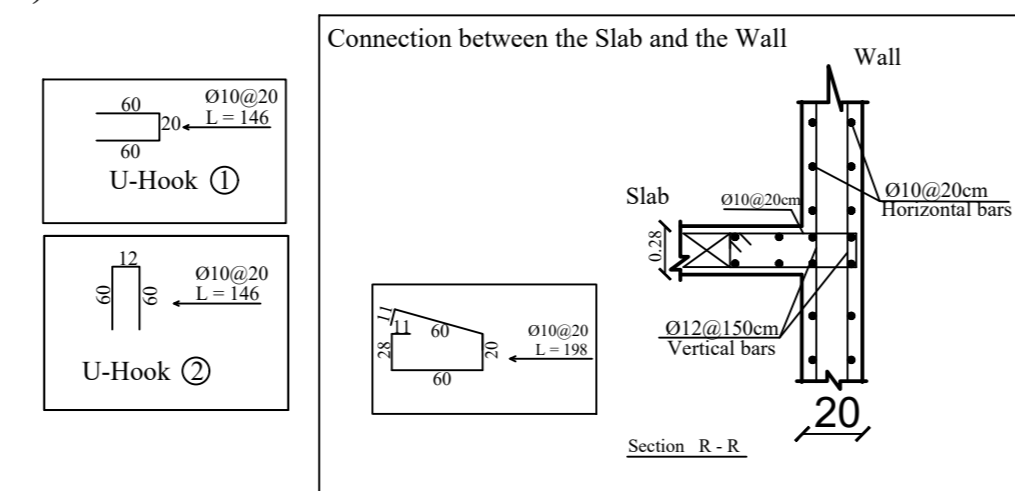
SW 6 - SEC (C - C)



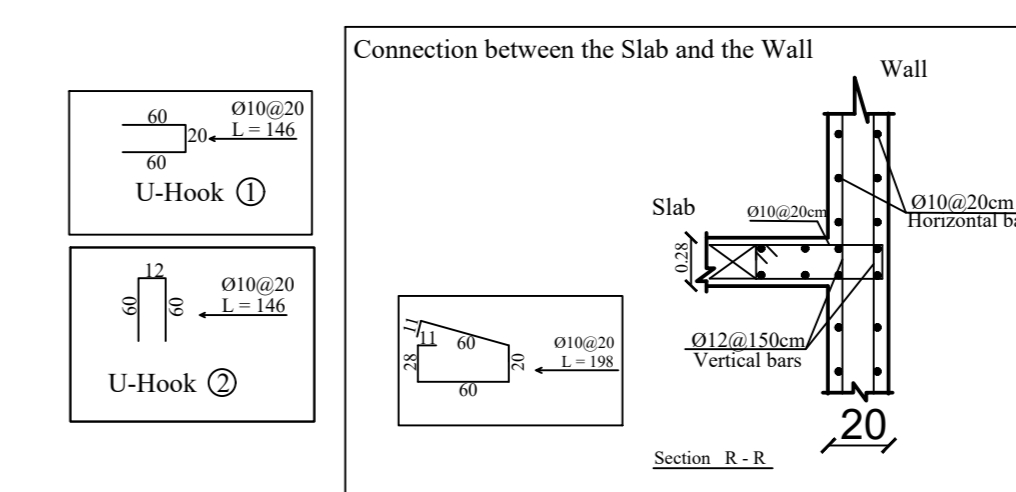
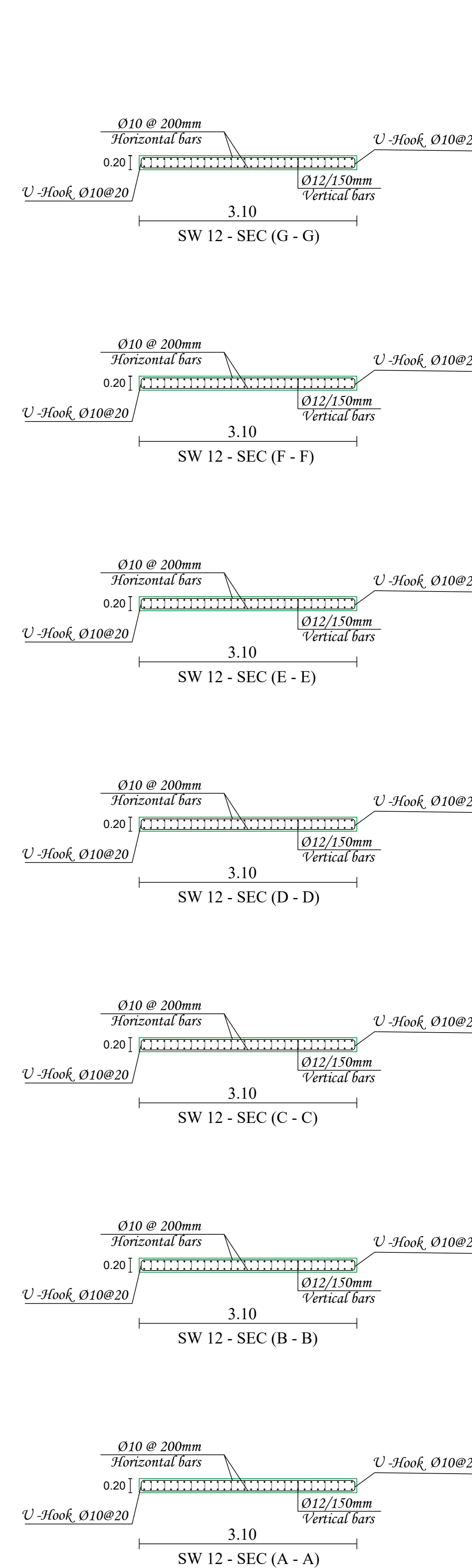
SW 6 - SEC (B - B)



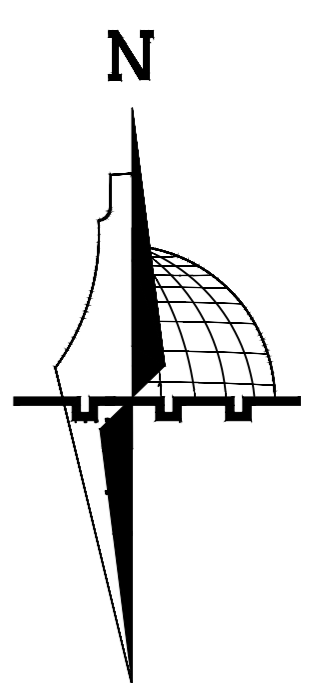
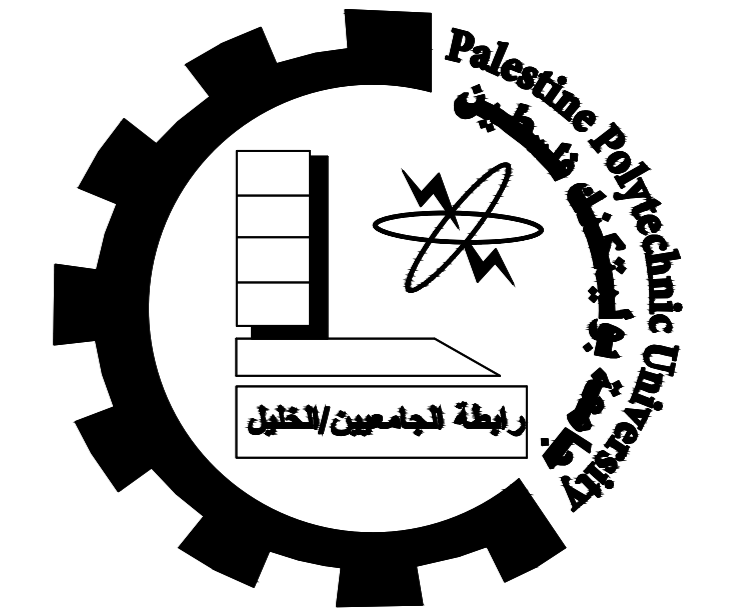
SW 6 - SEC (A - A)



SW 7
(Scale 1:100)



Palestine Polytechnic University



project title :
structural design for a commercial
residential building in the city of Hebron

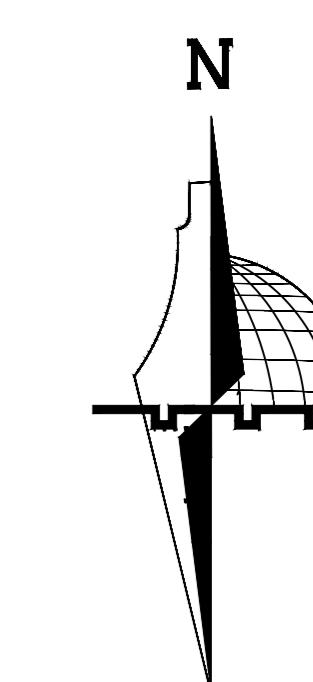
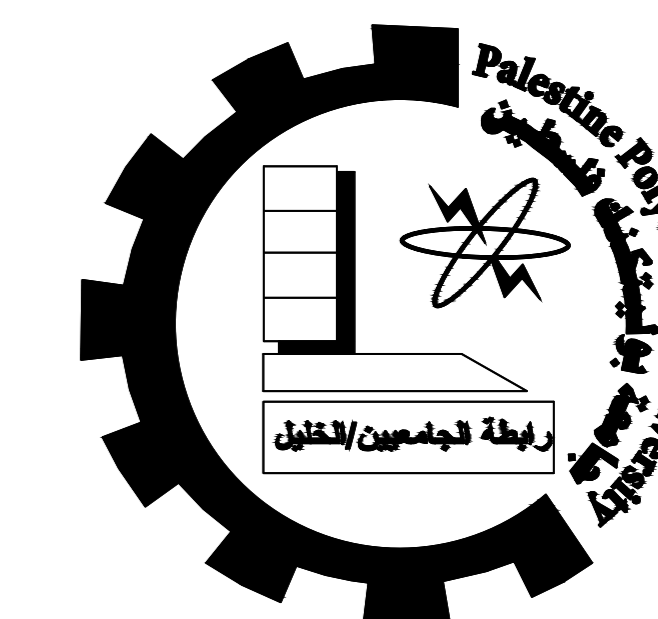
Done by :
Rinad Al-Abed
Qamar Al-Anatsheh

supervisor:
Eng. Inas shaweki

scale:	
No. of DRAW	S11
DATE:	23/5/2023

BASSMENT RIB SLAB

Palestine Polytechnic University

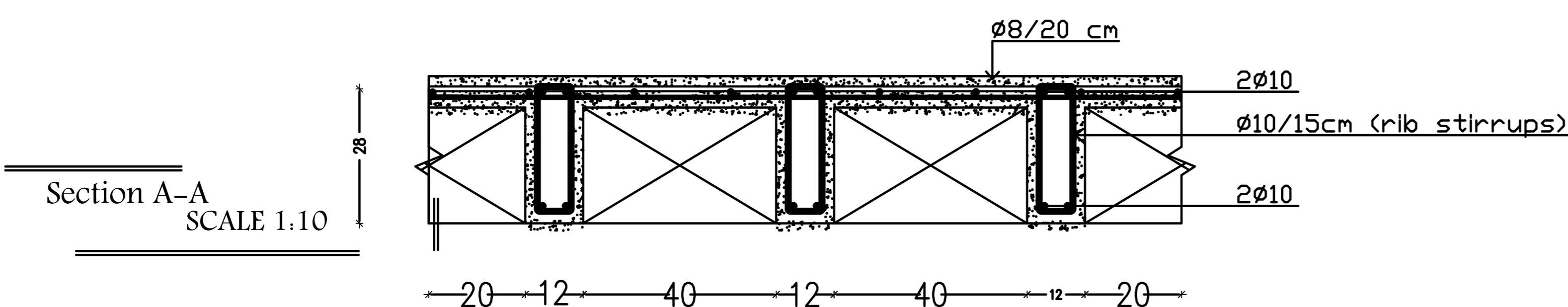
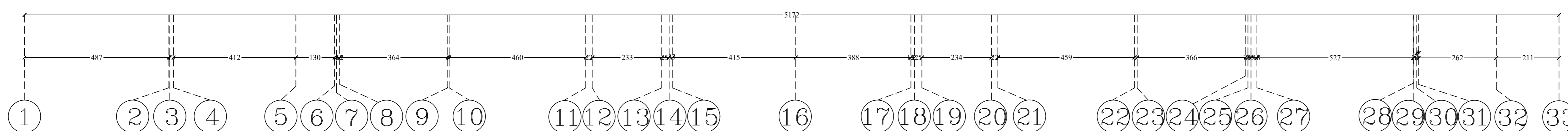
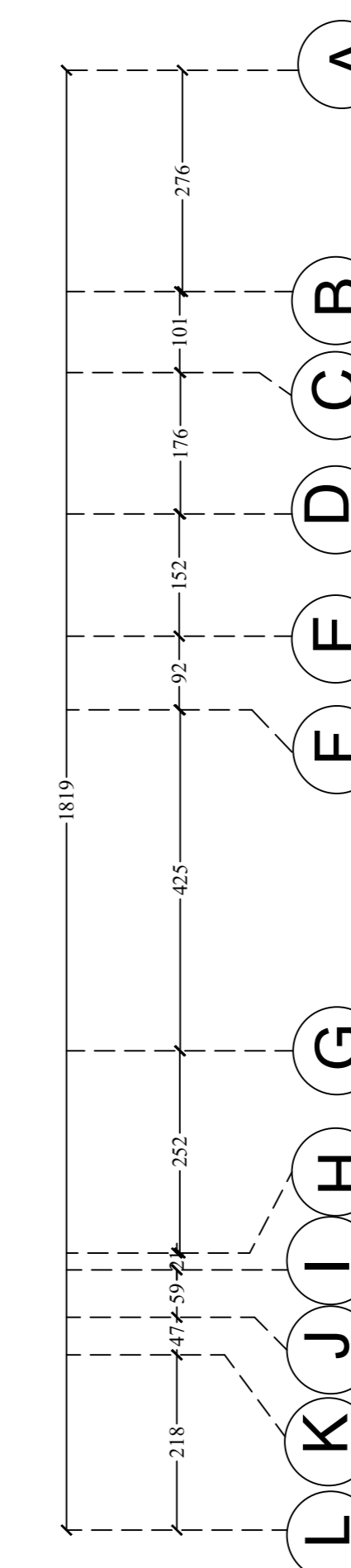
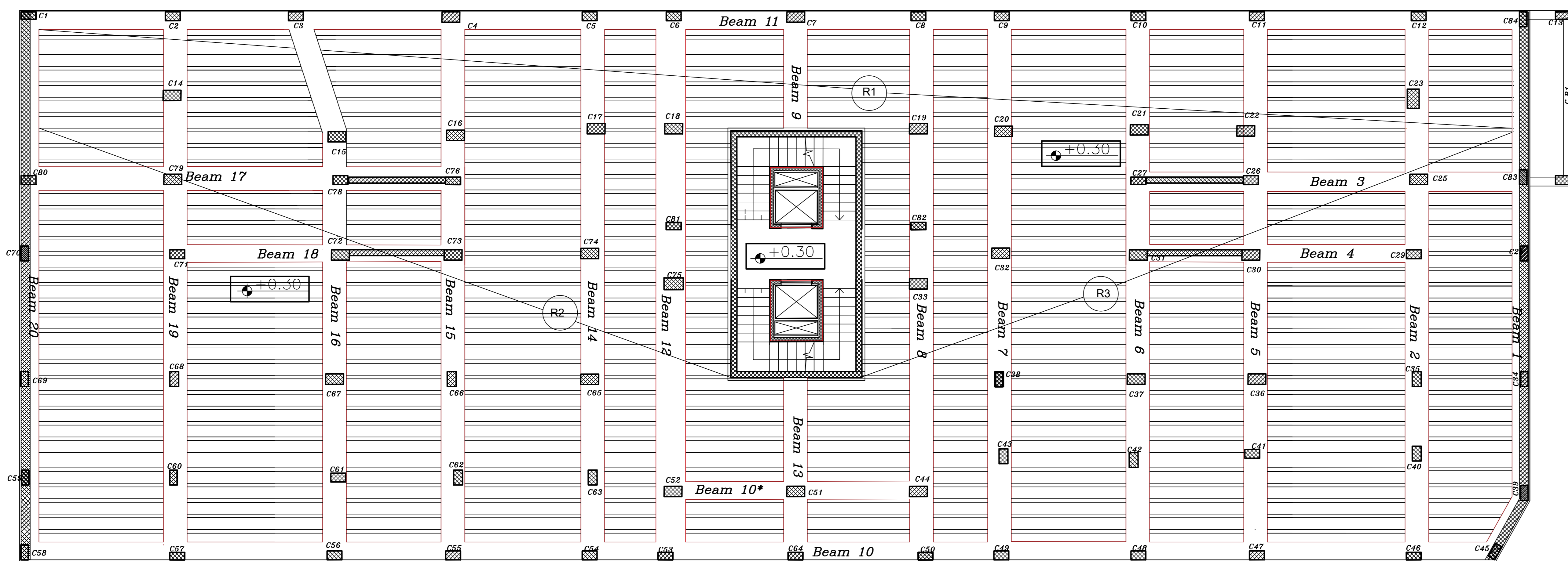
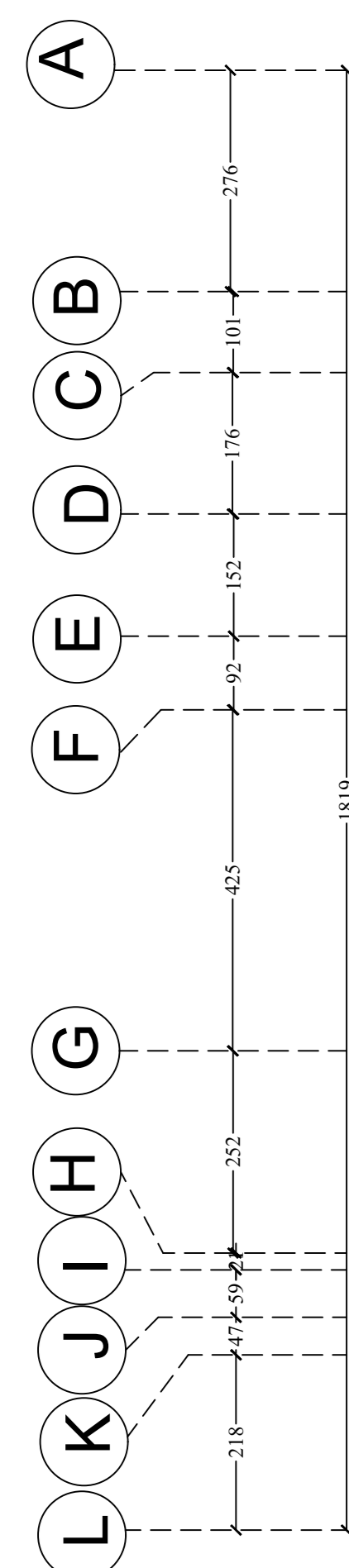
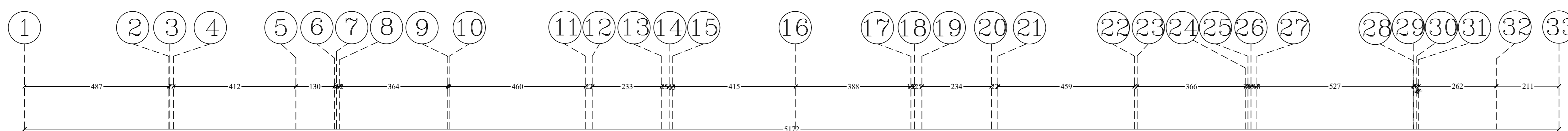


project title :
structural design for a commercial
residential building in the city of Hebron

Done by :
Rinad AL-Abed
Qamar AL-Anatshah

supervisor:
Eng. Inas shweki

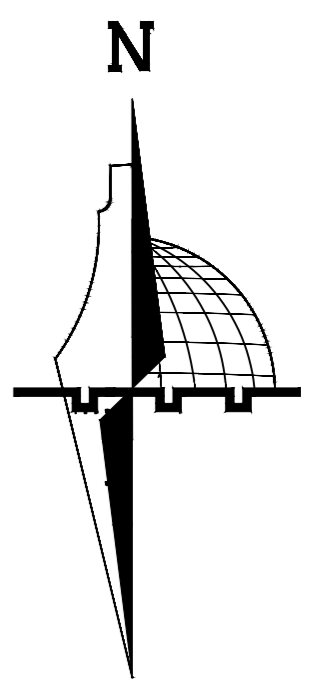
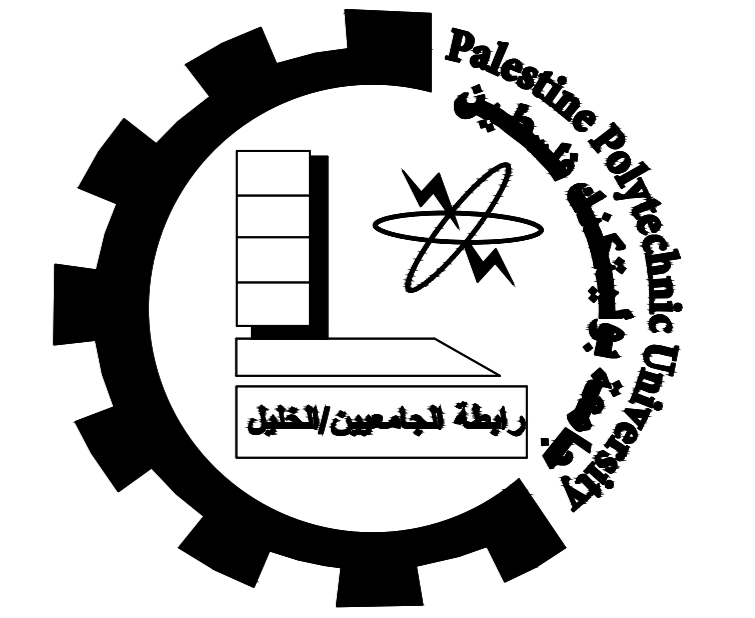
scale:
No. of
DRAW **S12**
DATE: 23/5/2023



h slab = 28cm

REINFORVEMENT BASSMENT RIB SLAB

Palestine Polytechnic University



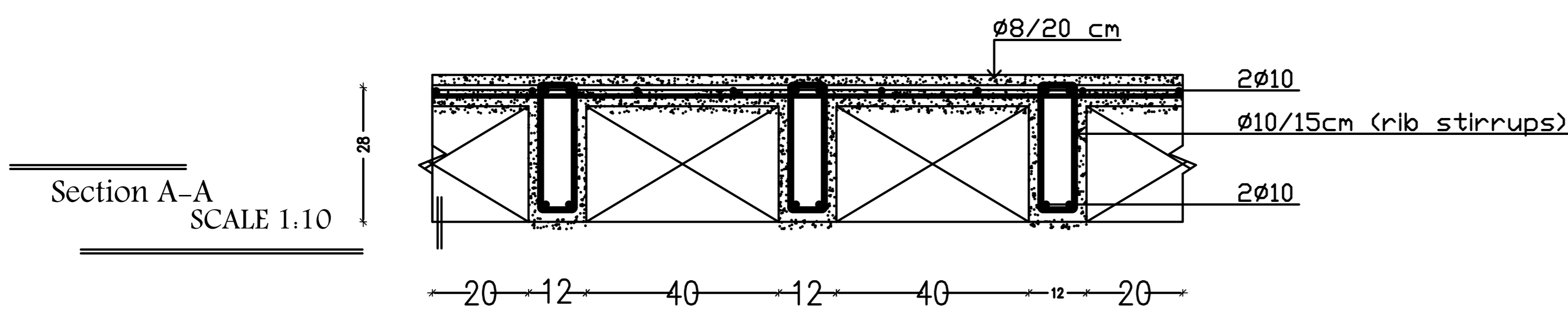
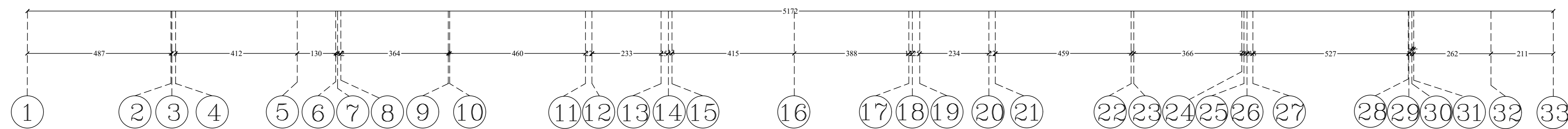
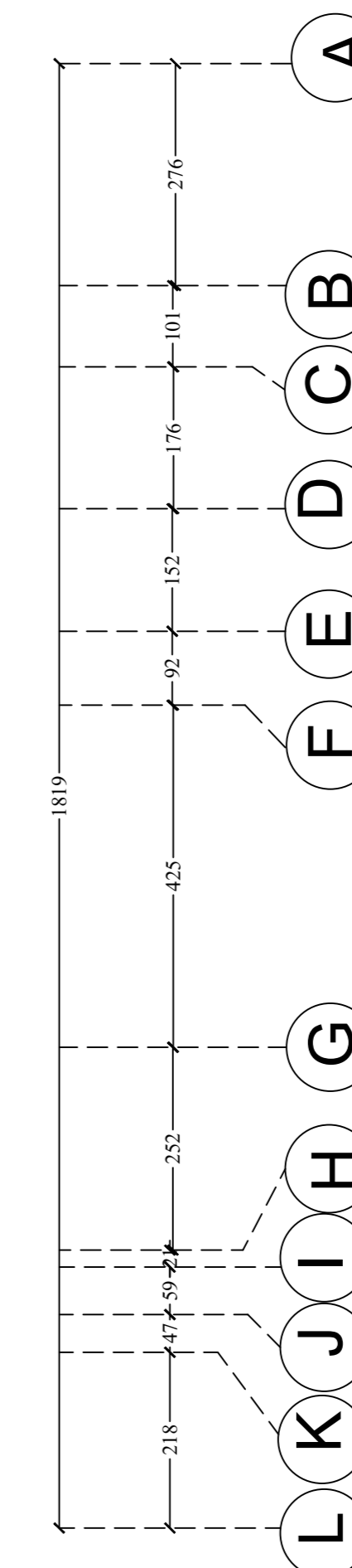
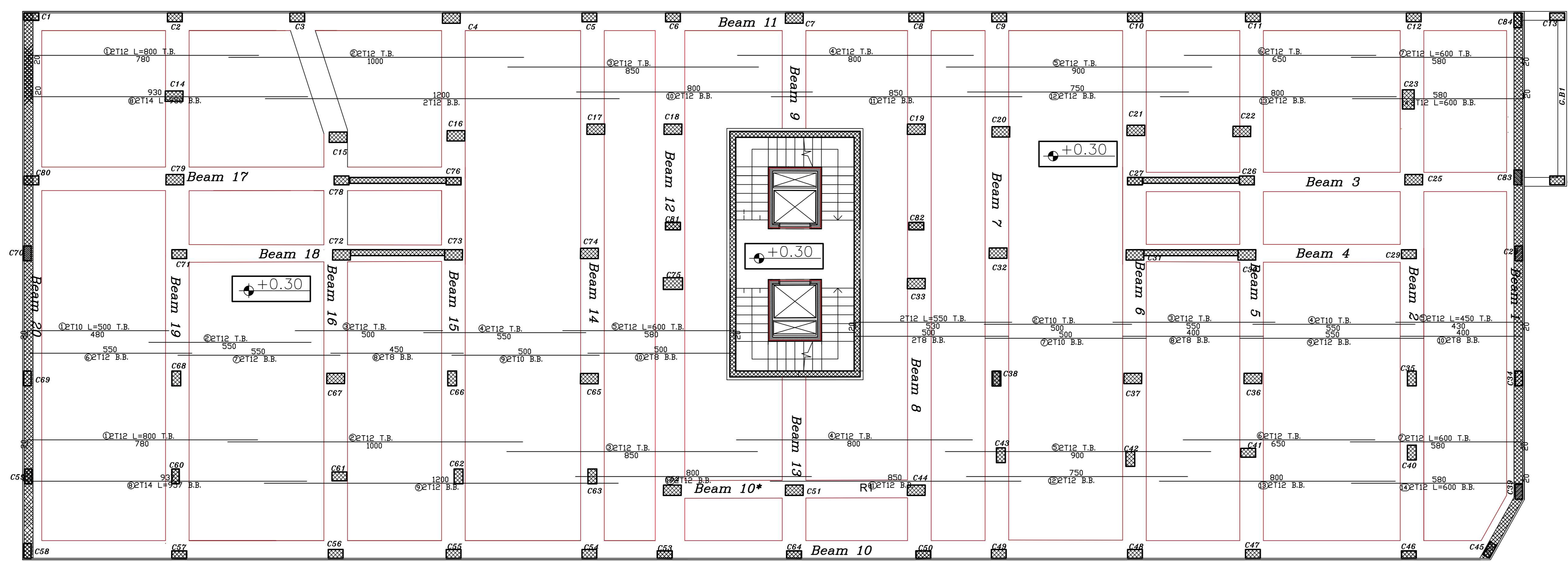
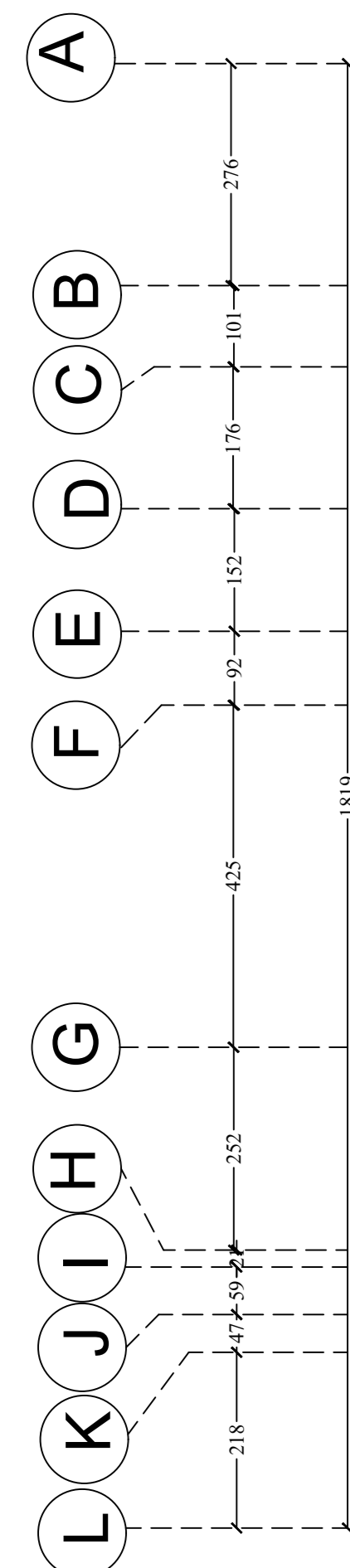
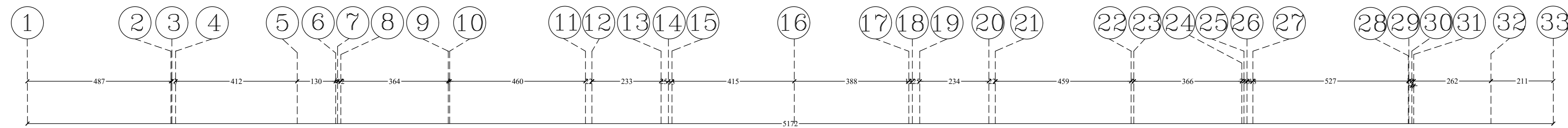
project title :
structural design for a commercial
residential building in the city of Hebron

Done by :
Rinad AL-Abed
Qamar AL-Anatsheh

supervisor:
Eng. Inas shaweki

scale:
No. of
DRAW **S13**

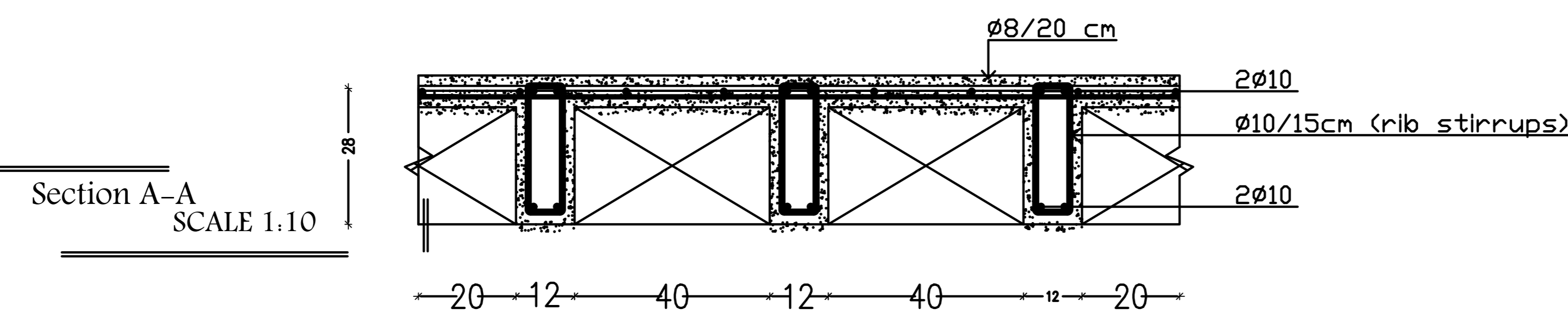
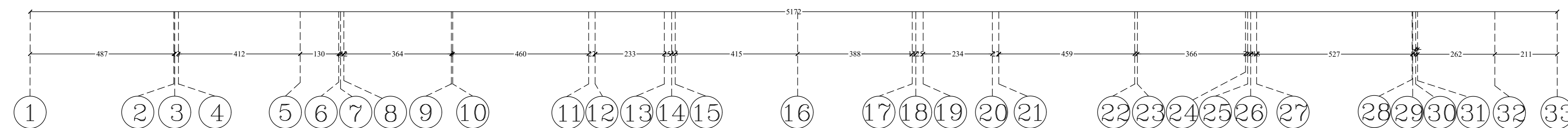
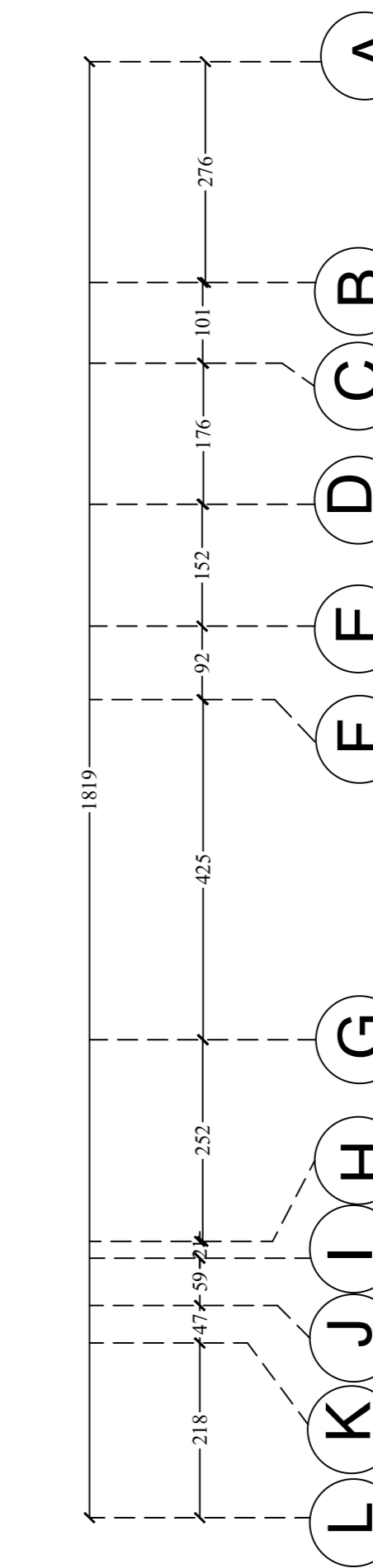
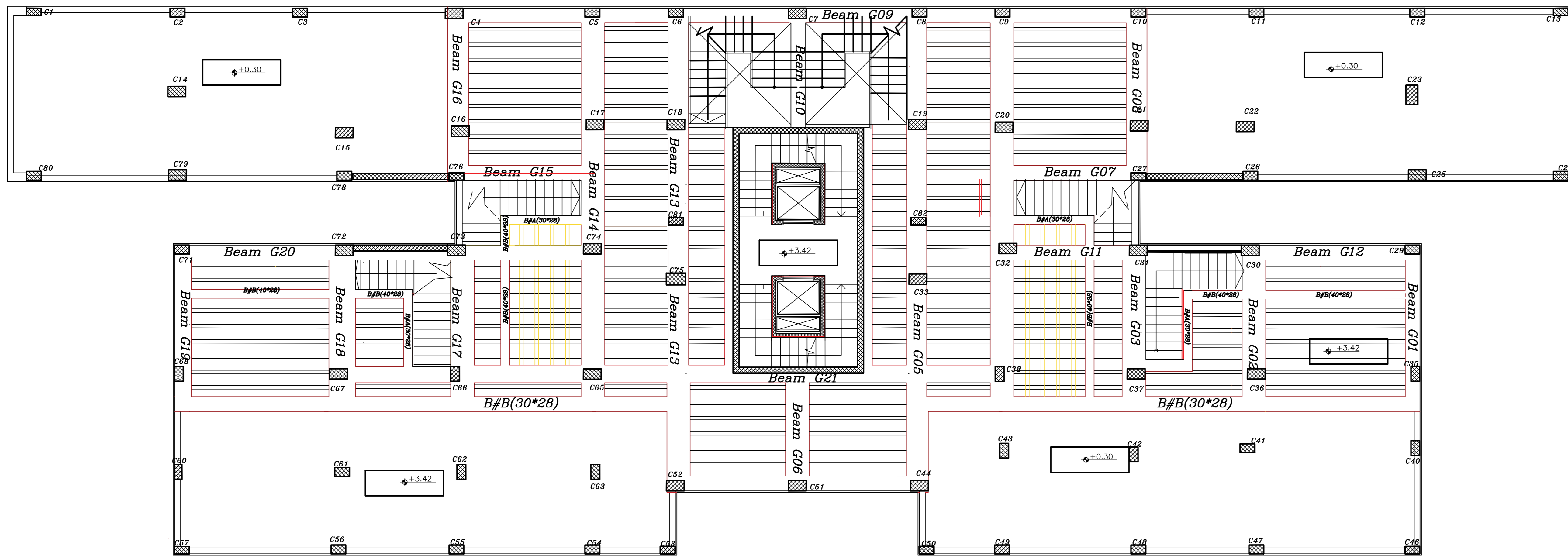
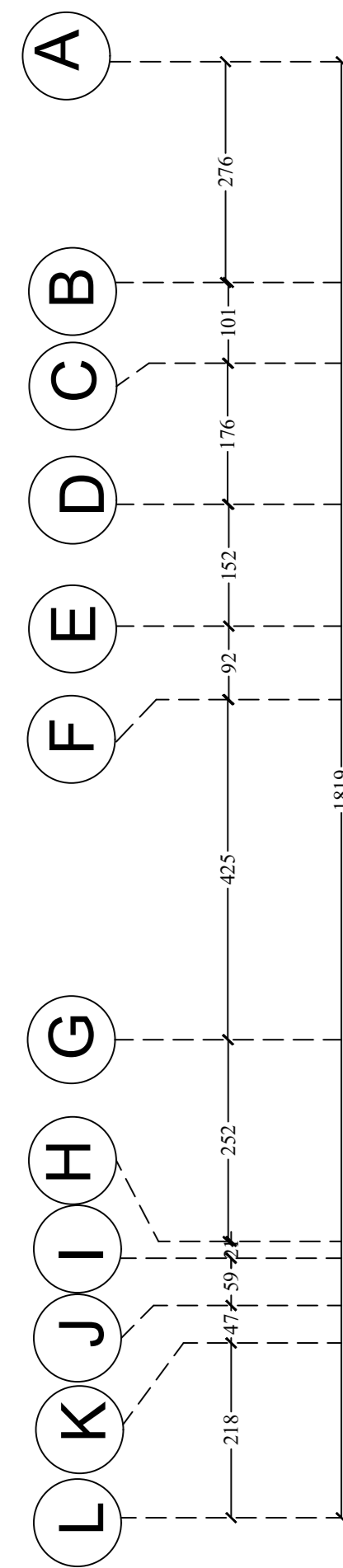
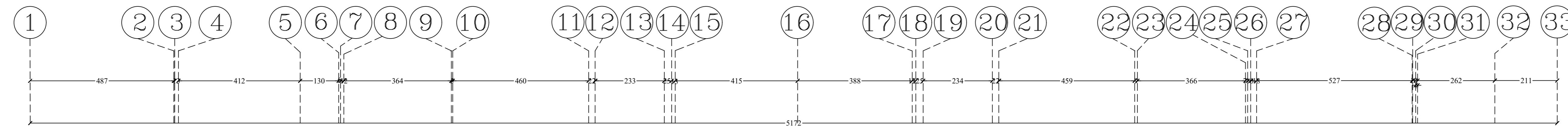
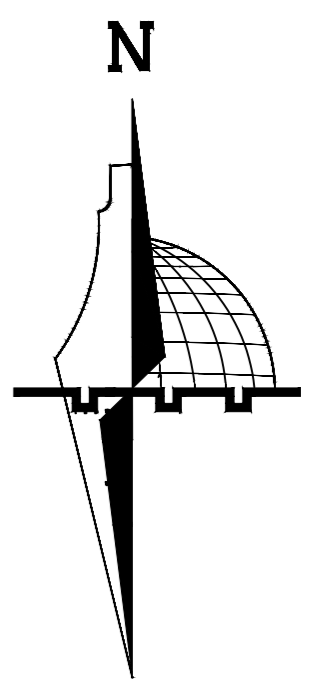
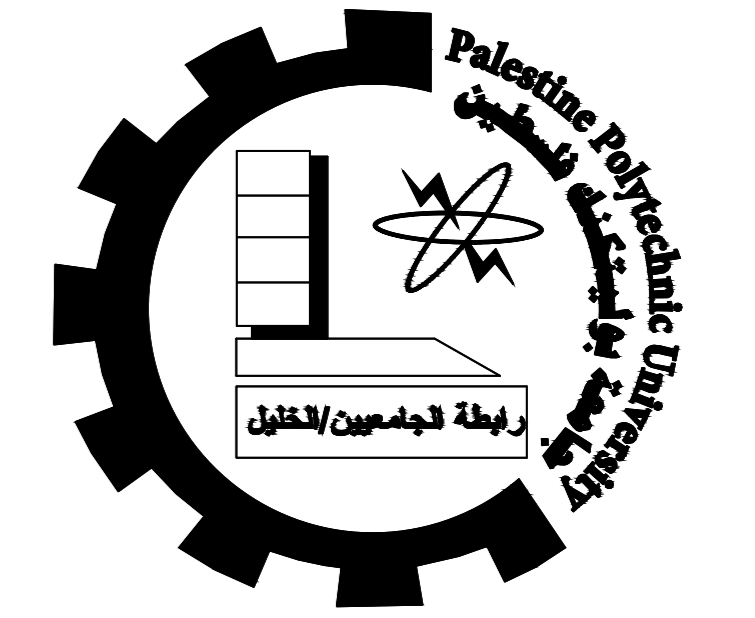
DATE: 23/5/2023



h slab = 28cm

SEDAH RIB SLAB

Palestine Polytechnic University



h slab = 28cm

project title :
 structural design for a commercial
 residential building in the city of Hebron

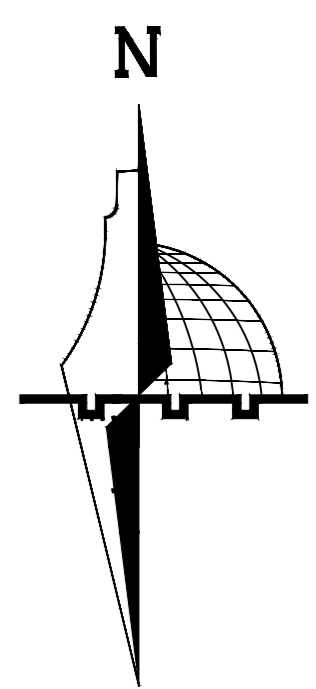
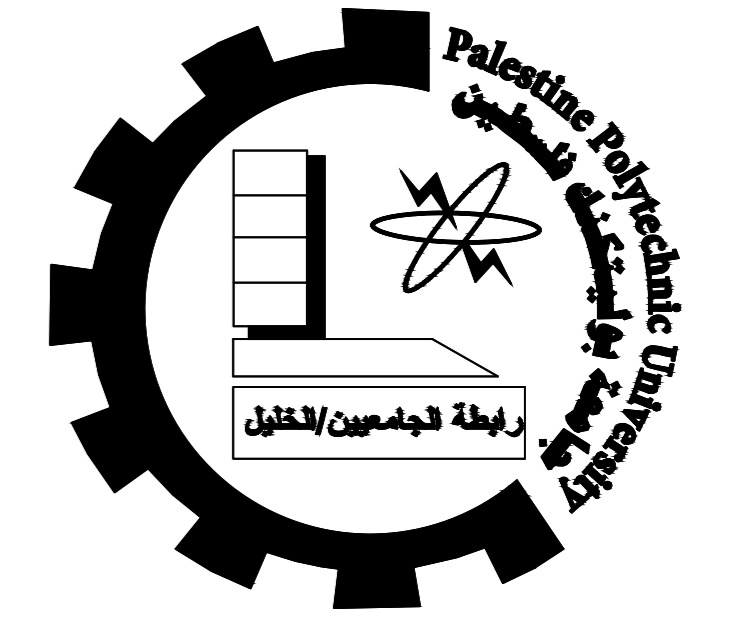
Done by :
 Rinad AL-Abed
 Qamar AL-Anatsheh

supervisor:
 Eng. Inas shaweki

scale:	
No. of DRAW	S14
DATE:	23/5/2023

REINFORVEMENT SEDAH RIB SLAB

Palestine Polytechnic University



project title :

structural design for a commercial residential building in the city of Hebron

Done by :

Rinad AL-Abed
Qamar AL-Anatsheh

supervisor:

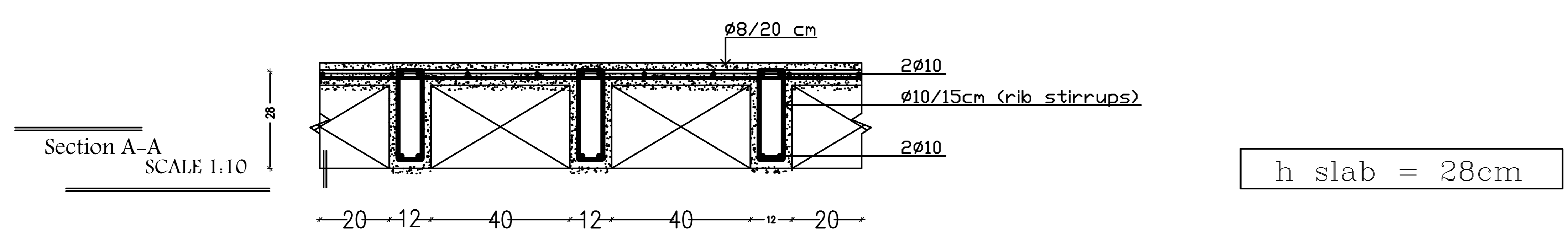
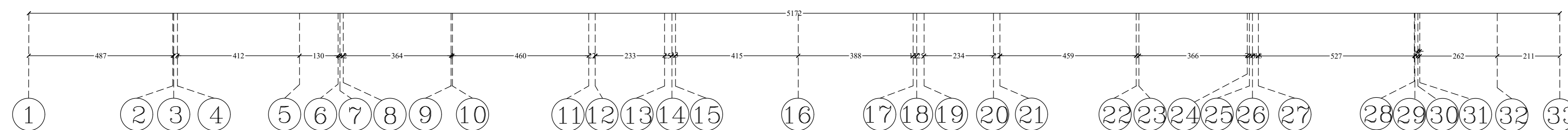
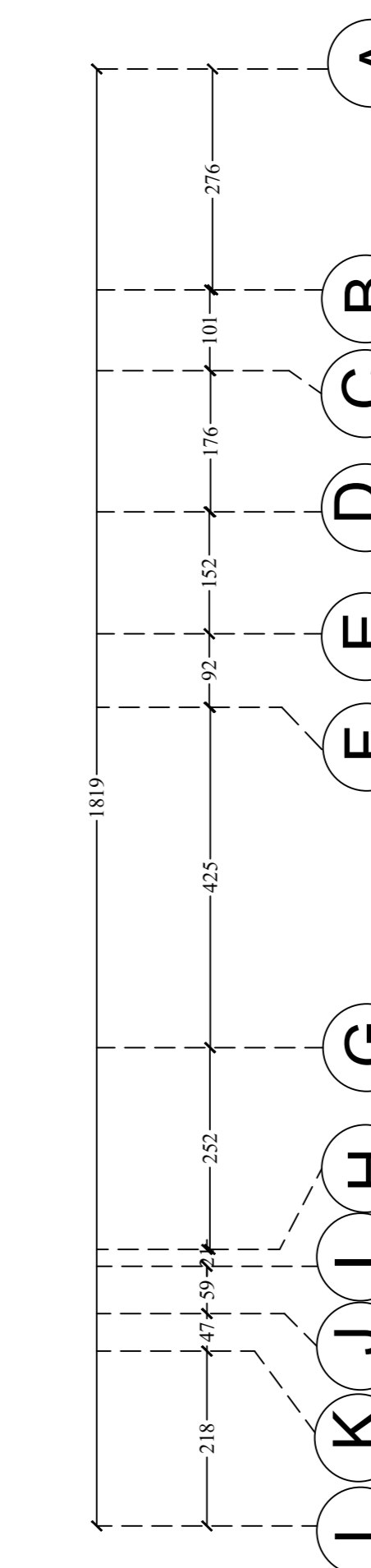
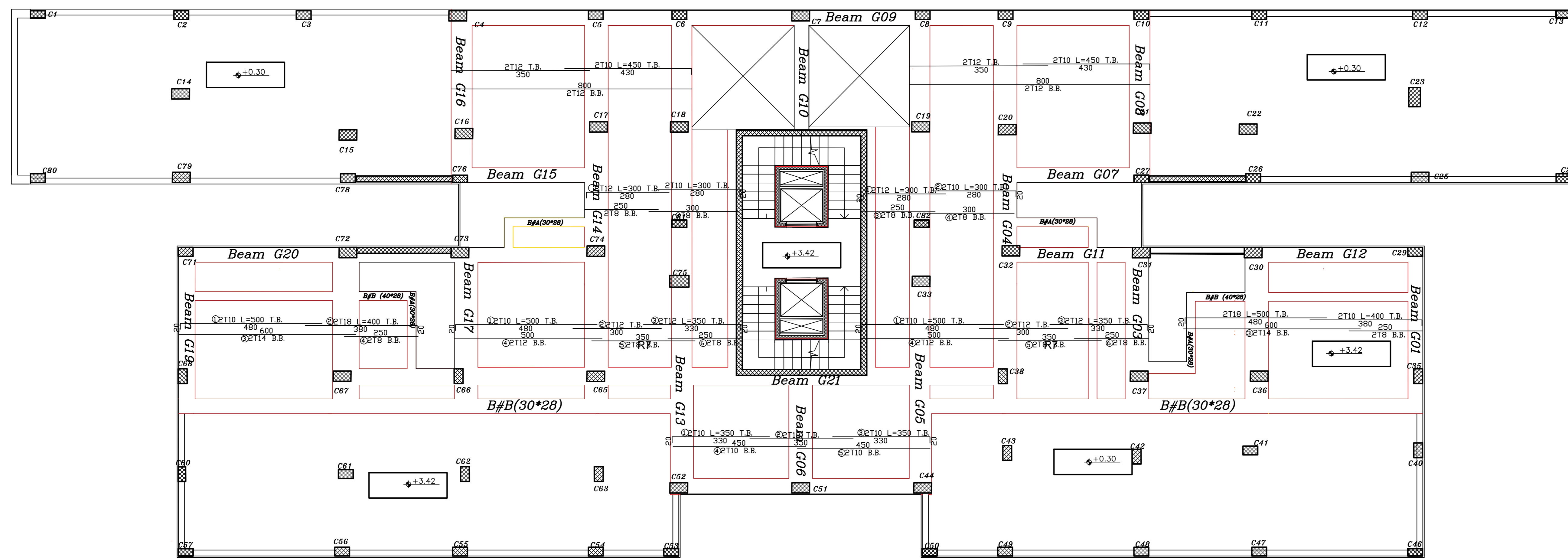
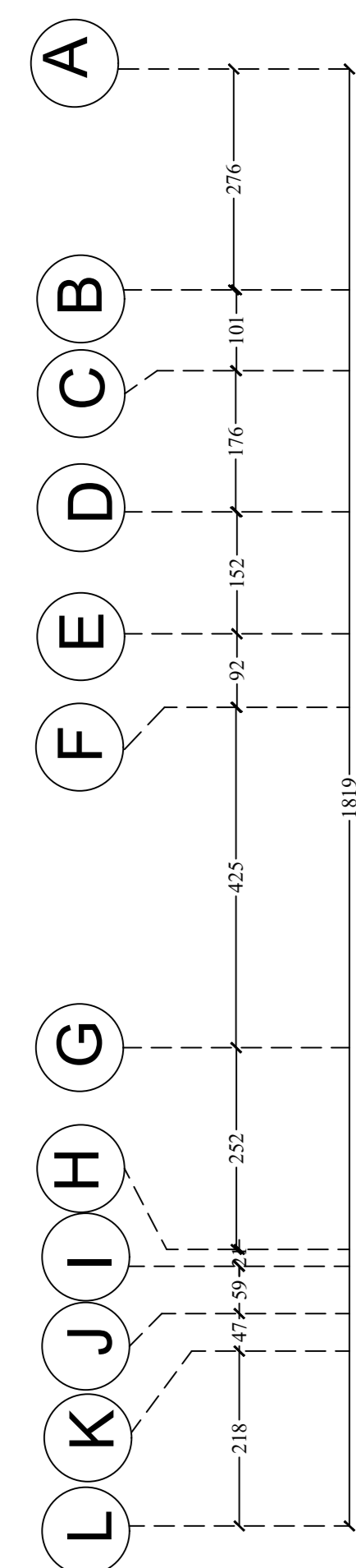
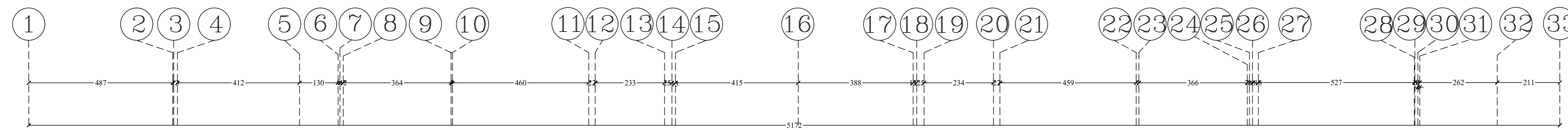
Eng. Inas shweki

scale:

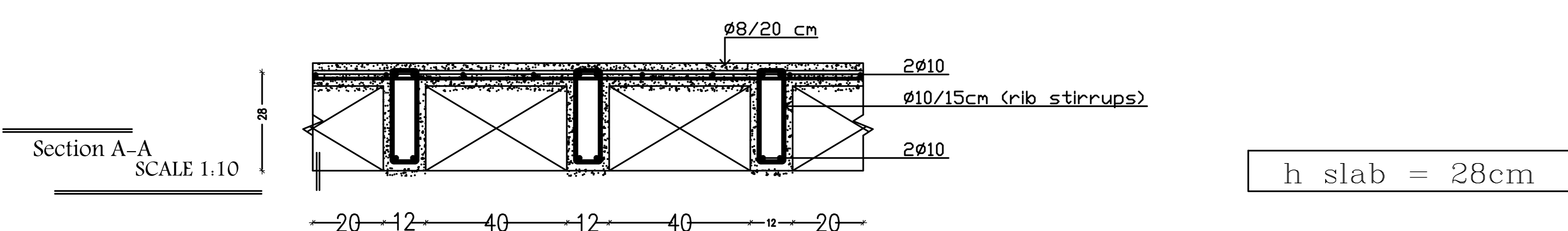
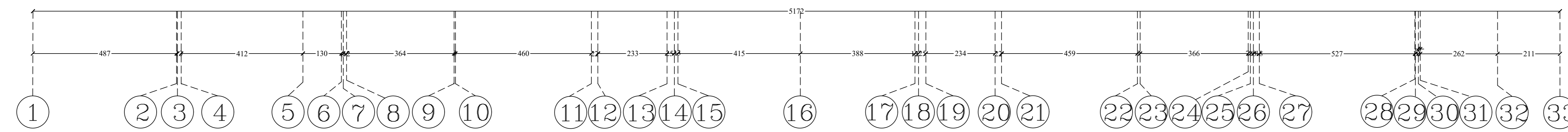
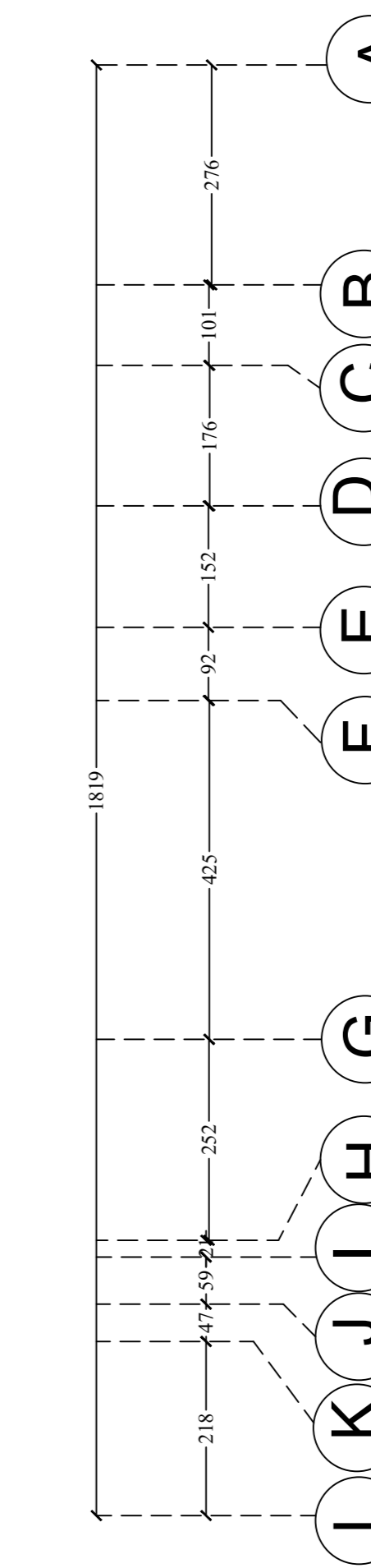
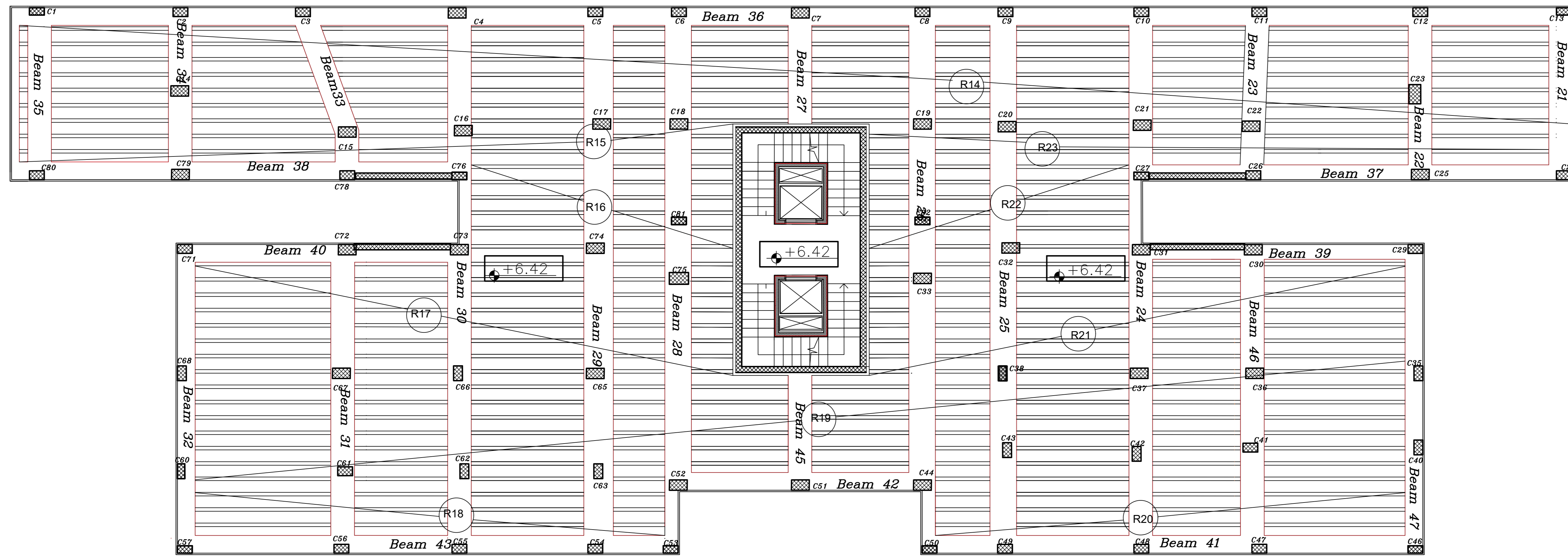
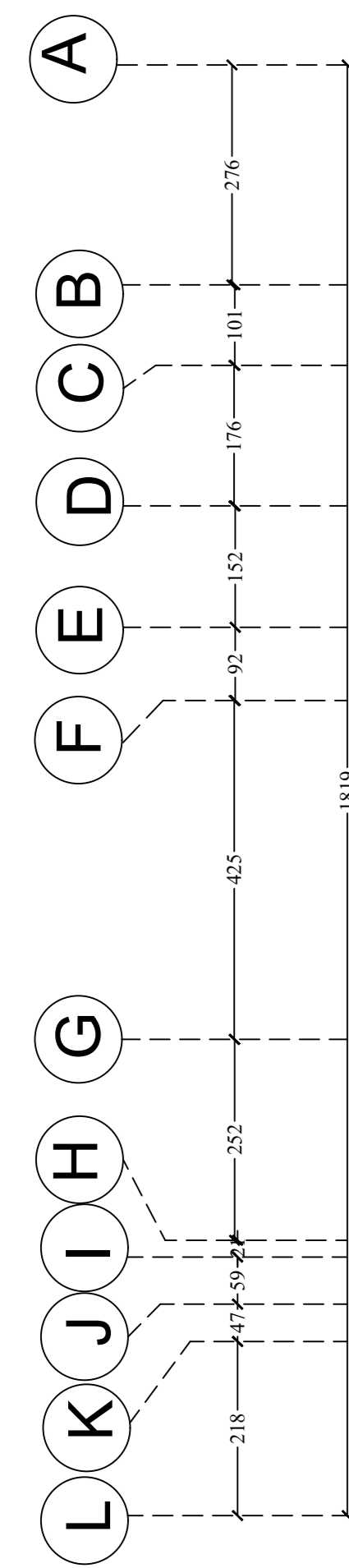
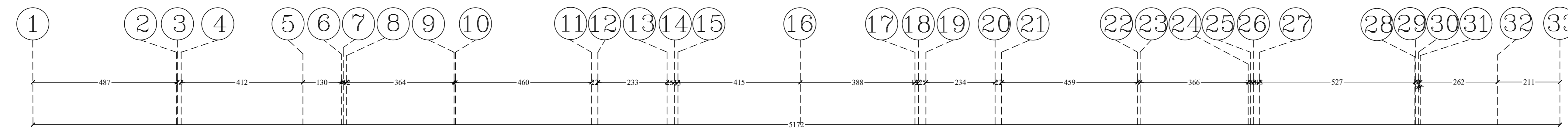
No. of
DRAW

S15

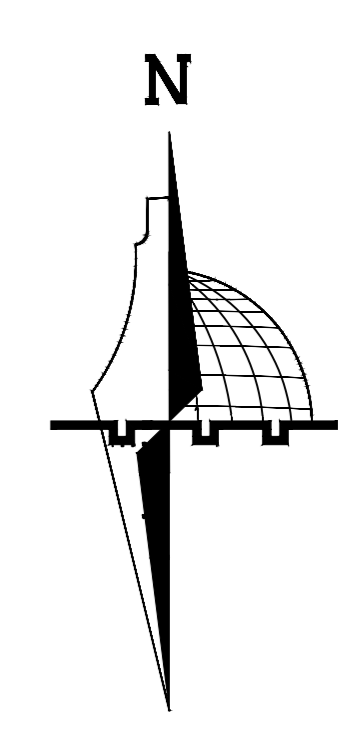
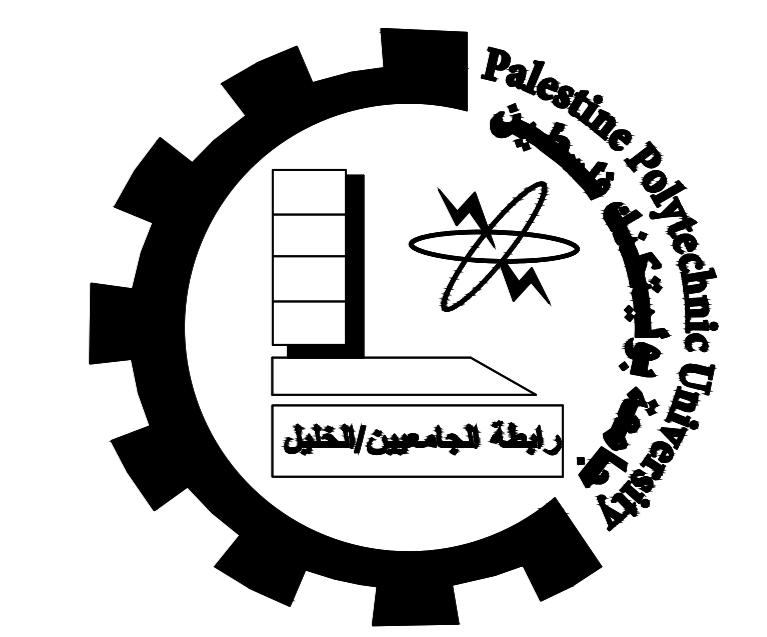
DATE: 23/5/2023



GROUND TO FOURTH RIB SLAB



Palestine Polytechnic University



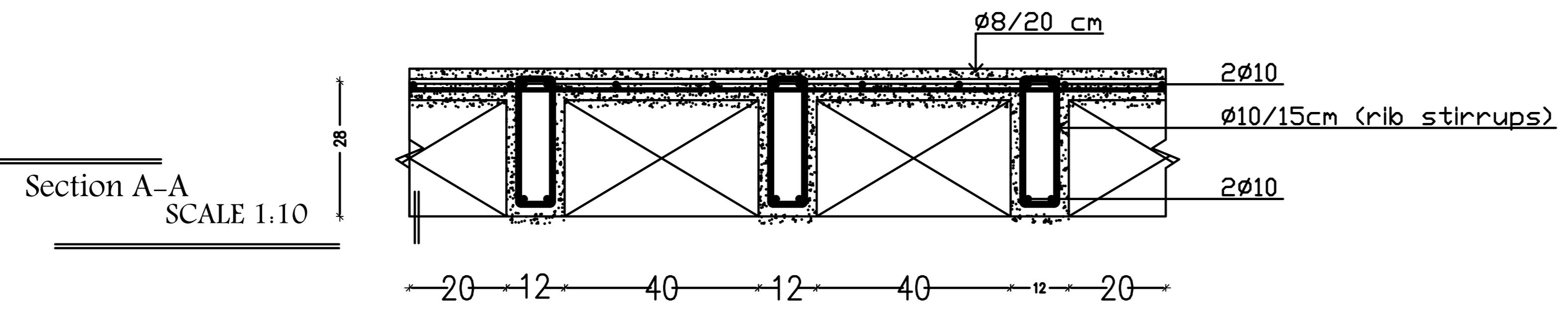
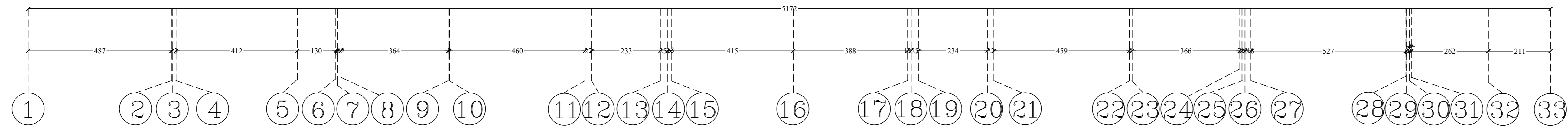
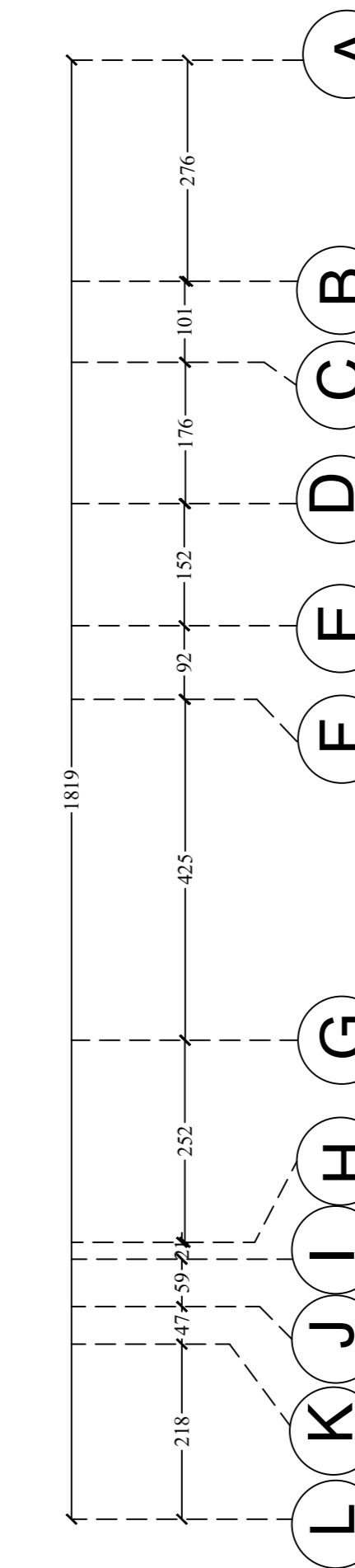
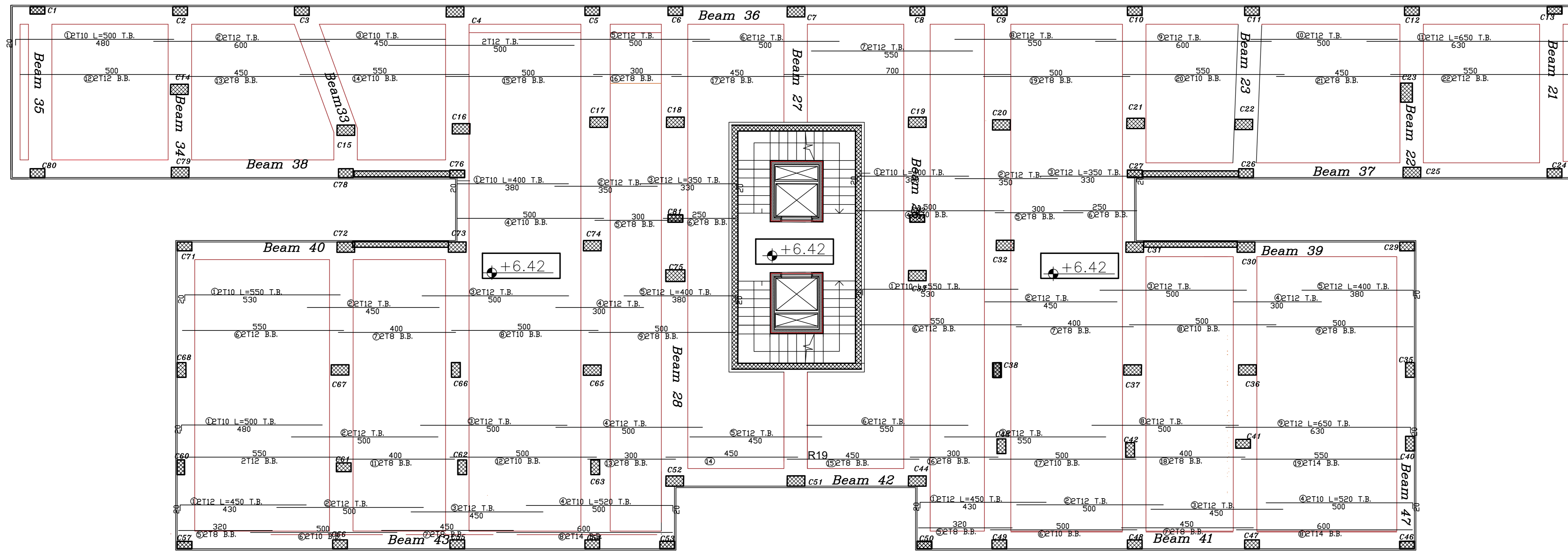
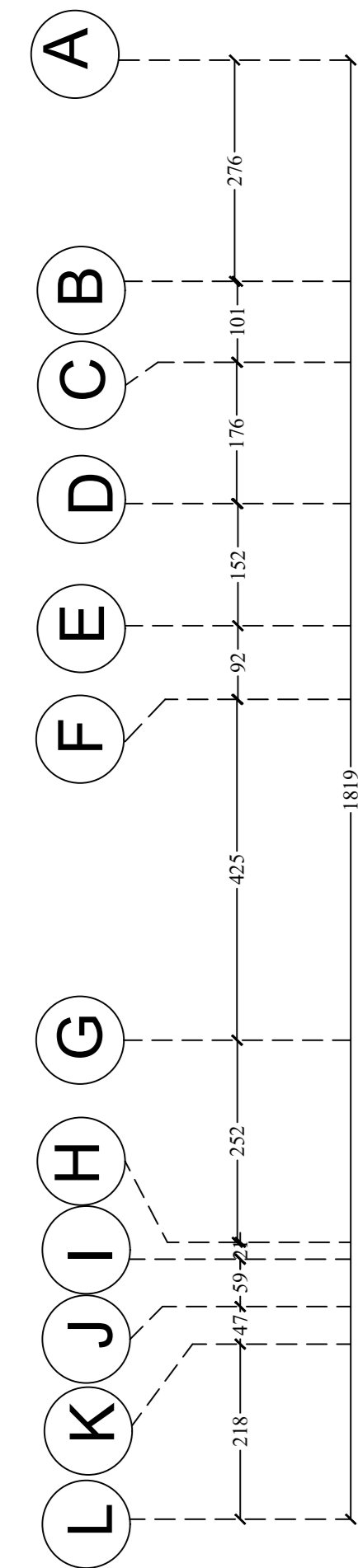
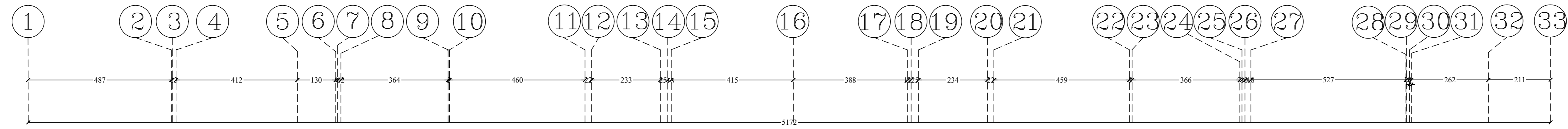
project title :
structural design for a commercial residential building in the city of Hebron

Done by :
Rinad AL-Abed
Qamar AL-Anatsheh

supervisor:
Eng. Inas shaweki

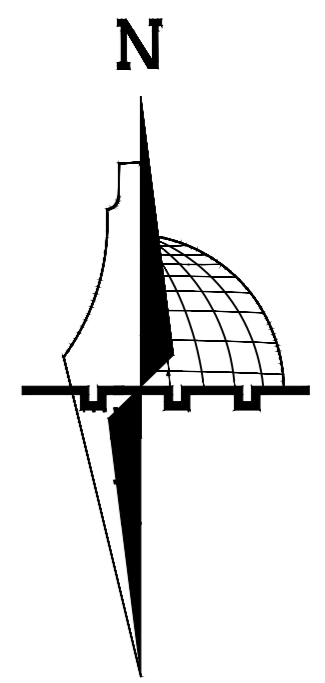
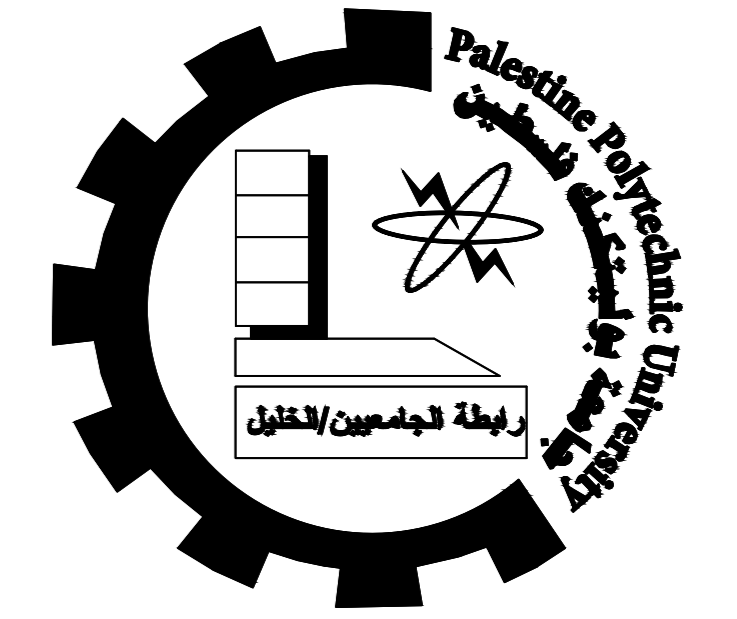
scale:	S16
No. of DRAW	
DATE:	23/5/2023

REINFORVEMENT GROUND TO FOURTH RIB SLAB



h slab = 28cm

Palestine Polytechnic University



project title :
structural design for a commercial
residential building in the city of Hebron

Done by :
Rinad AL-Abed
Qamar AL-Anatsheh

supervisor:
Eng. Inas shweki

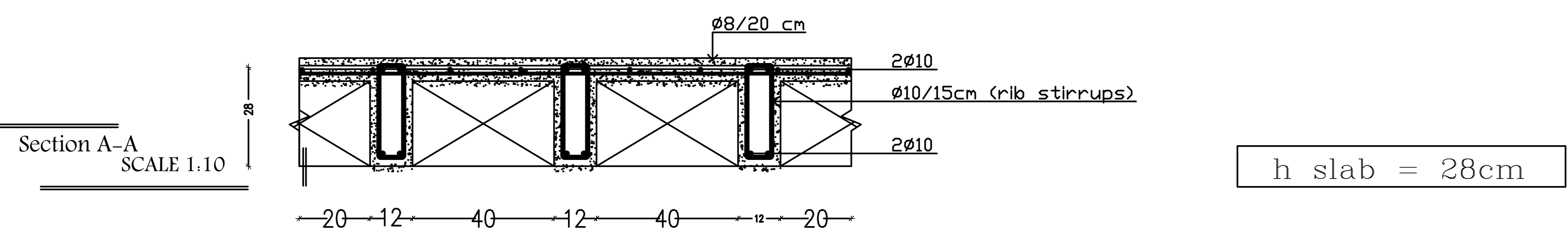
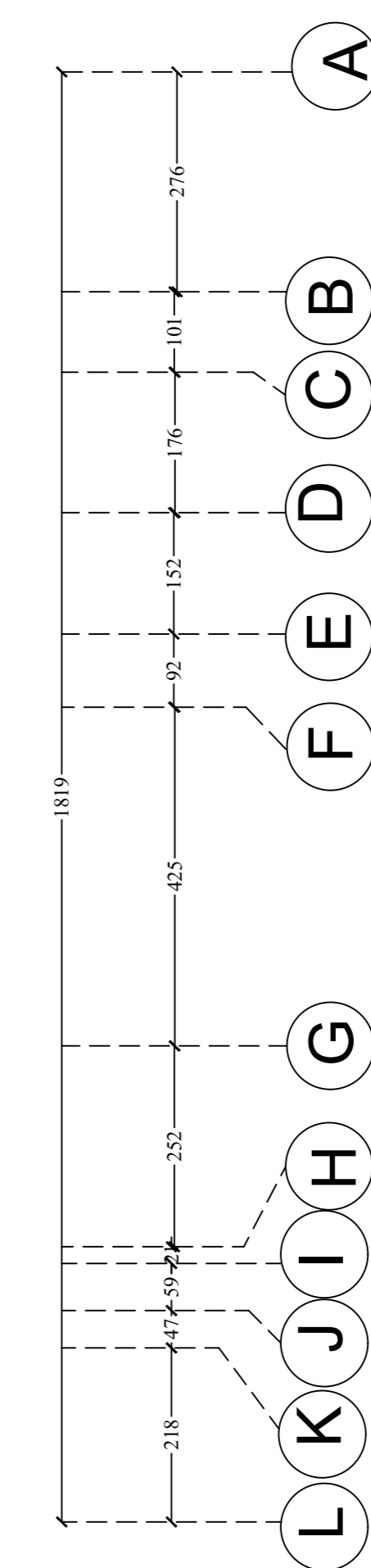
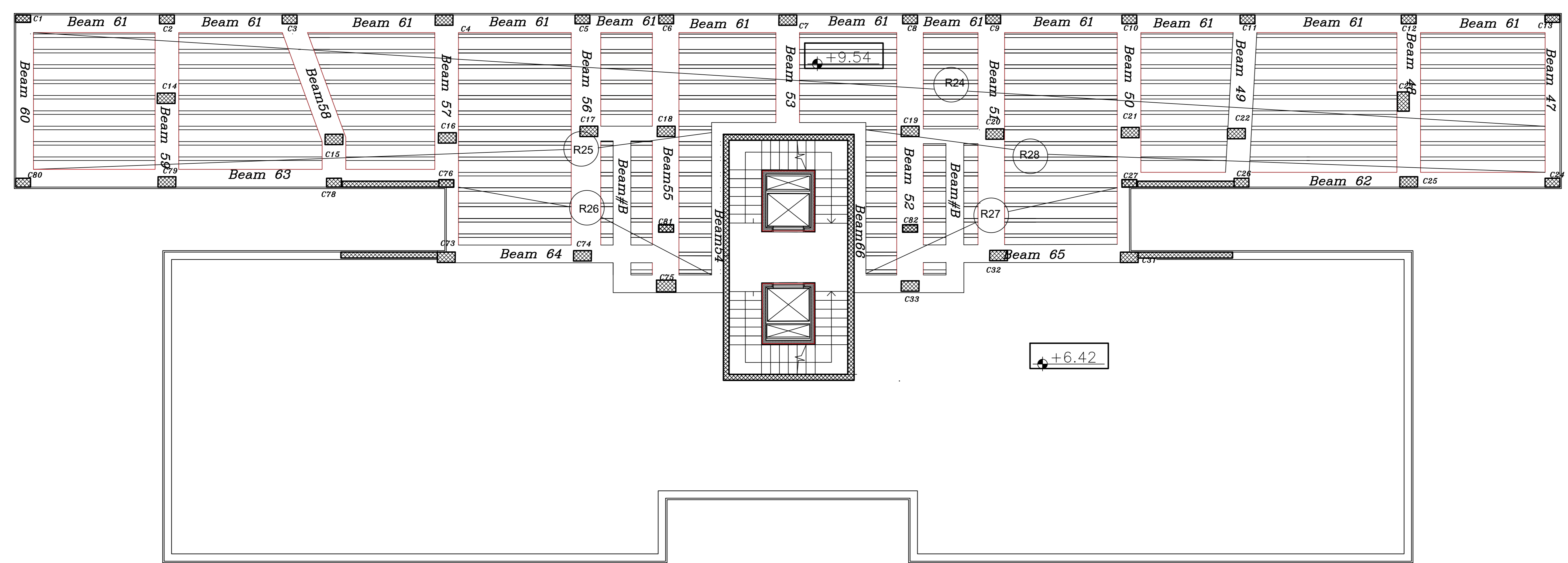
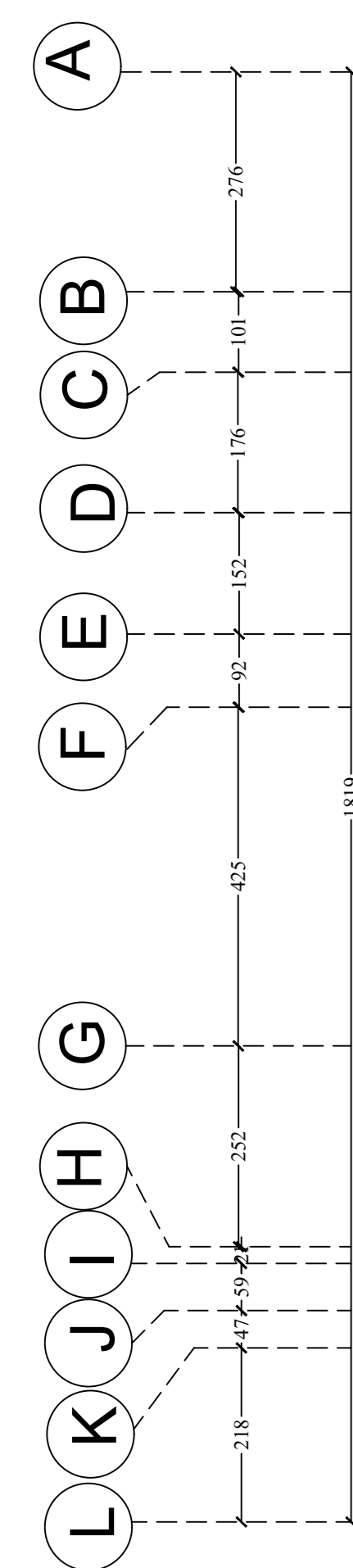
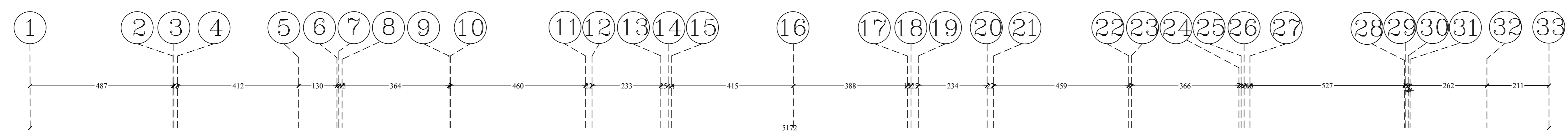
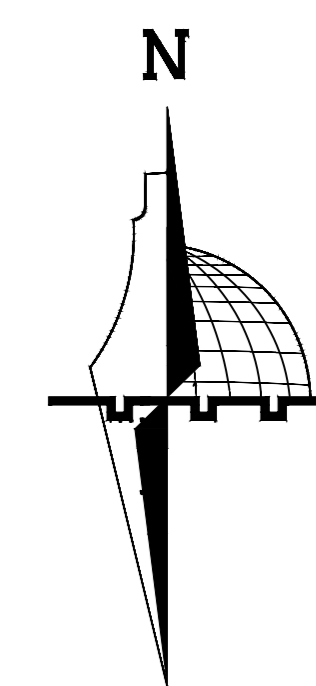
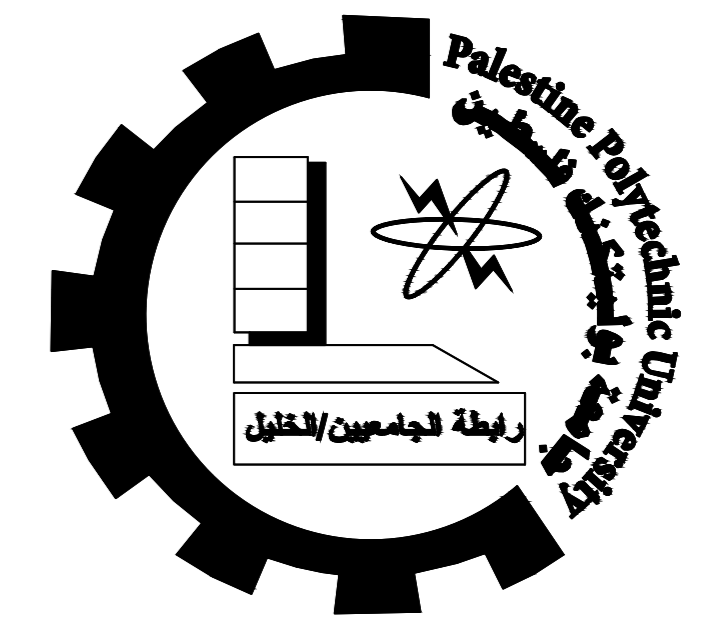
scale:
No. of
DRAW

S17

DATE: 23/5/2023

ROOF RIB SLAB

Palestine Polytechnic University



project title :
 structural design for a commercial
 residential building in the city of Hebron

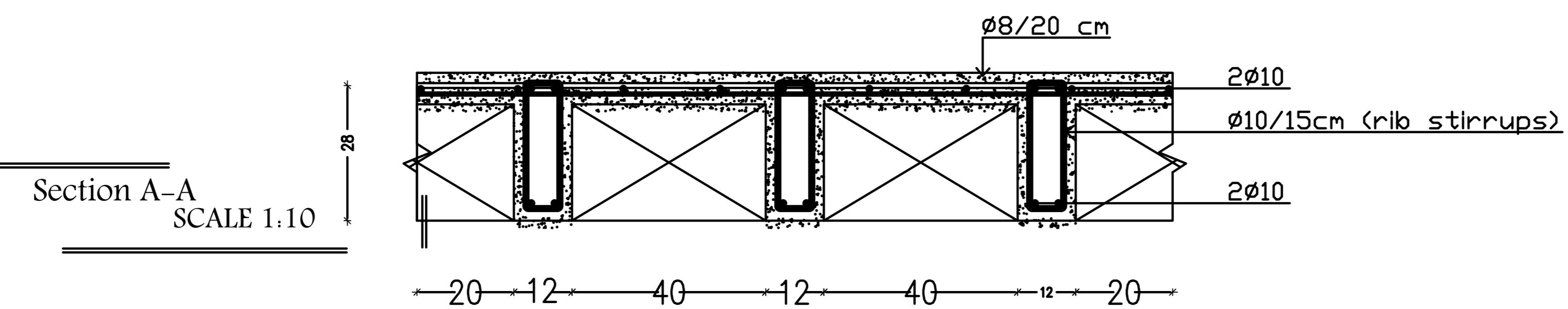
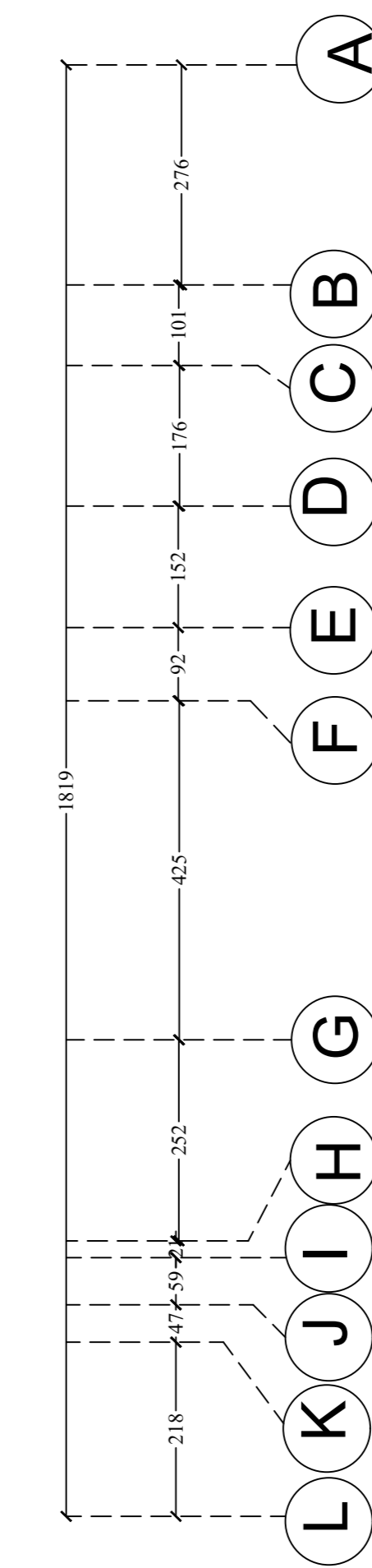
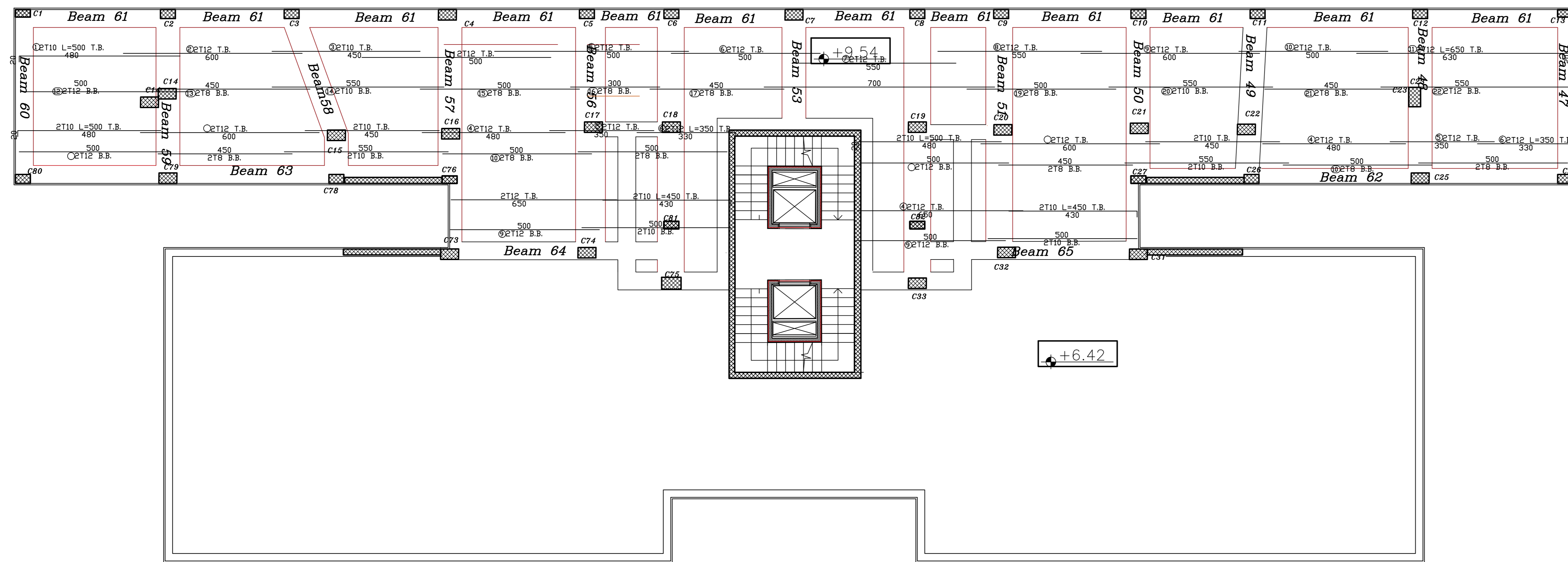
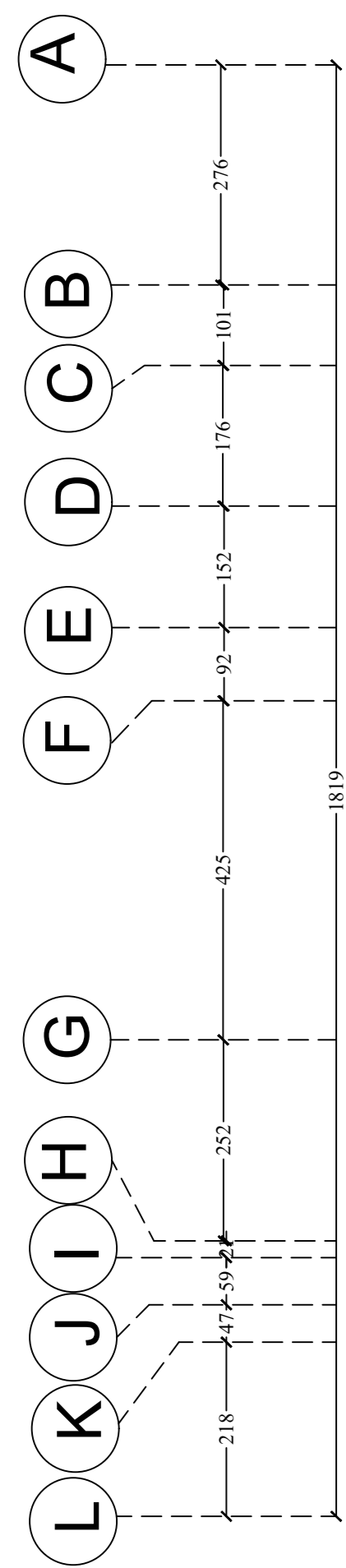
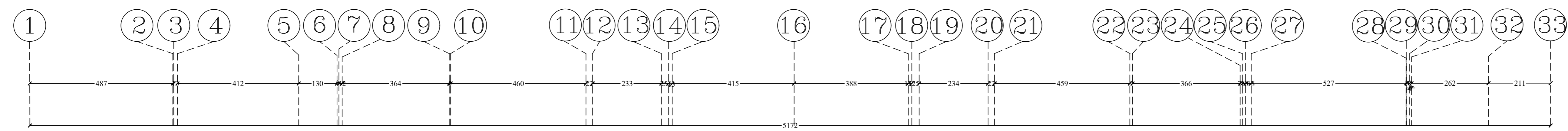
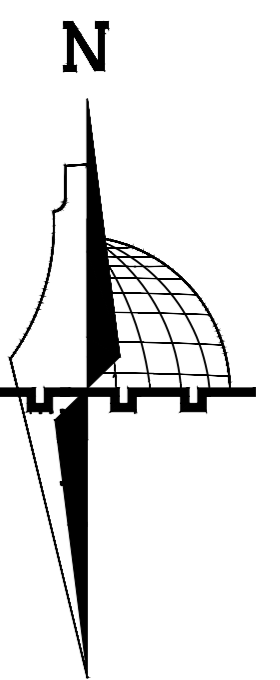
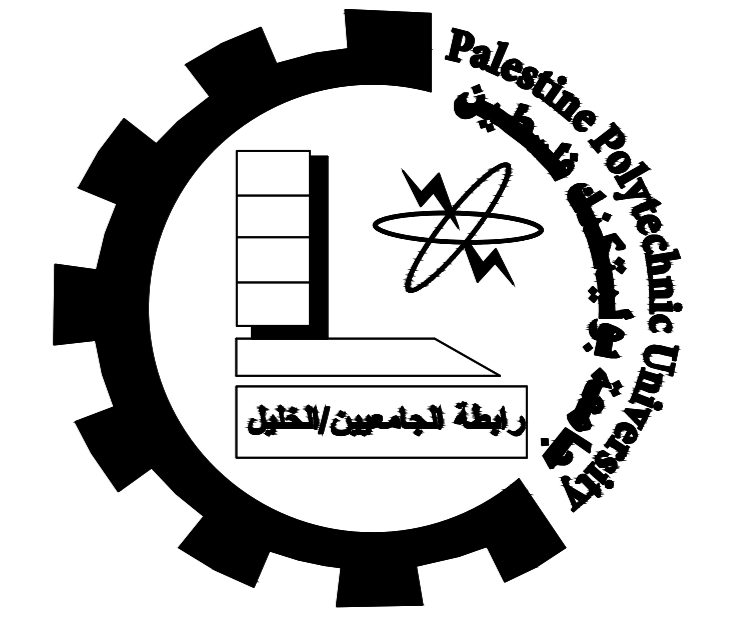
Done by :
 Rinad AL-Abed
 Qamar AL-Anatsheh

supervisor:
 Eng. Inas shaweki

scale:	
No. of DRAW	S18
DATE:	23/5/2023

REINFORVEMENT ROOF RIB SLAB

Palestine Polytechnic University



h slab = 28cm

project title :
structural design for a commercial residential building in the city of Hebron

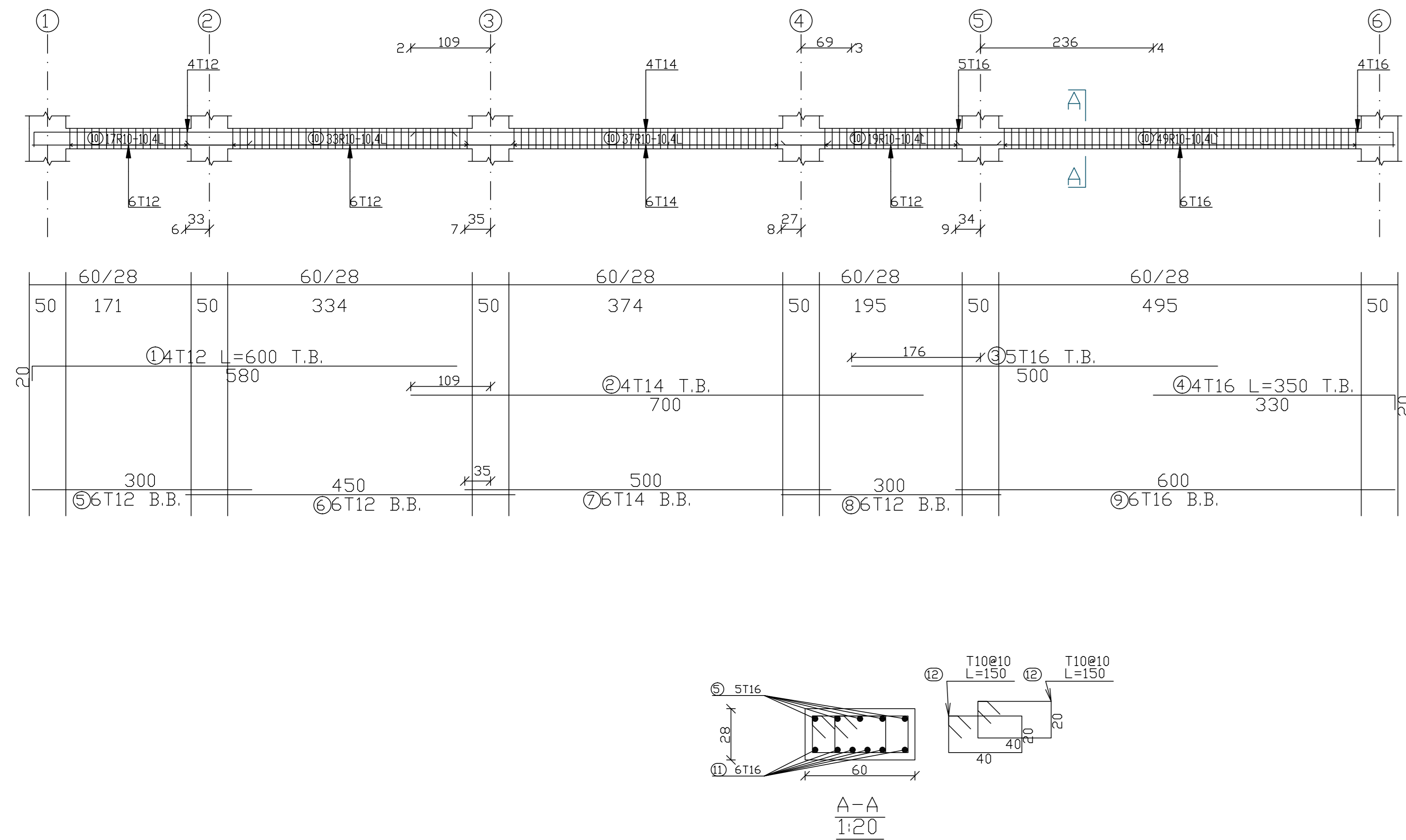
Done by :
Rinad AL-Abed
Qamar AL-Anatsheh

supervisor:
Eng. Inas shaweki

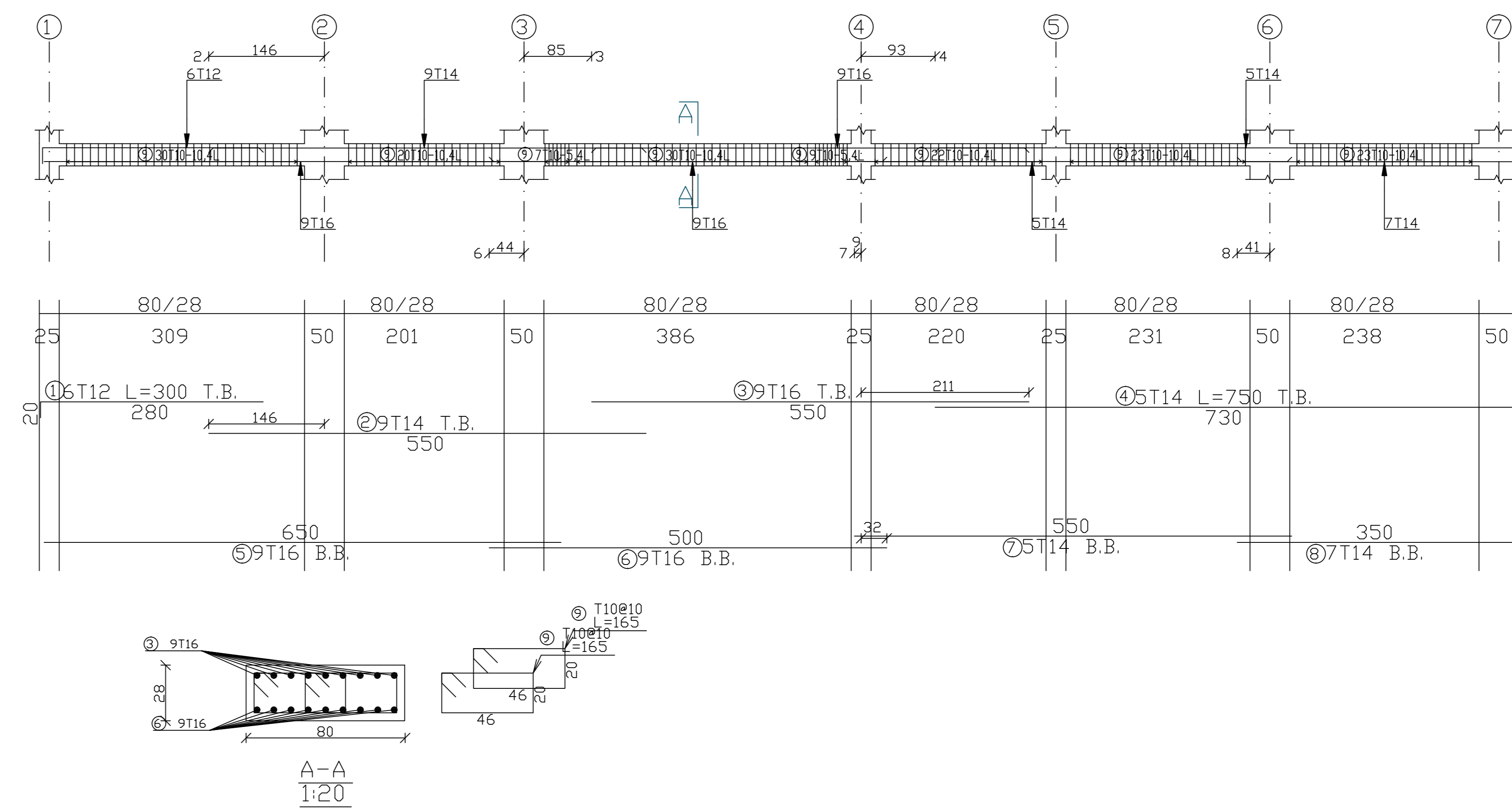
scale:	
No. of DRAW	S19
DATE:	23/5/2023

BEAM DETAILS

B01(80*28)
Scale 1:50



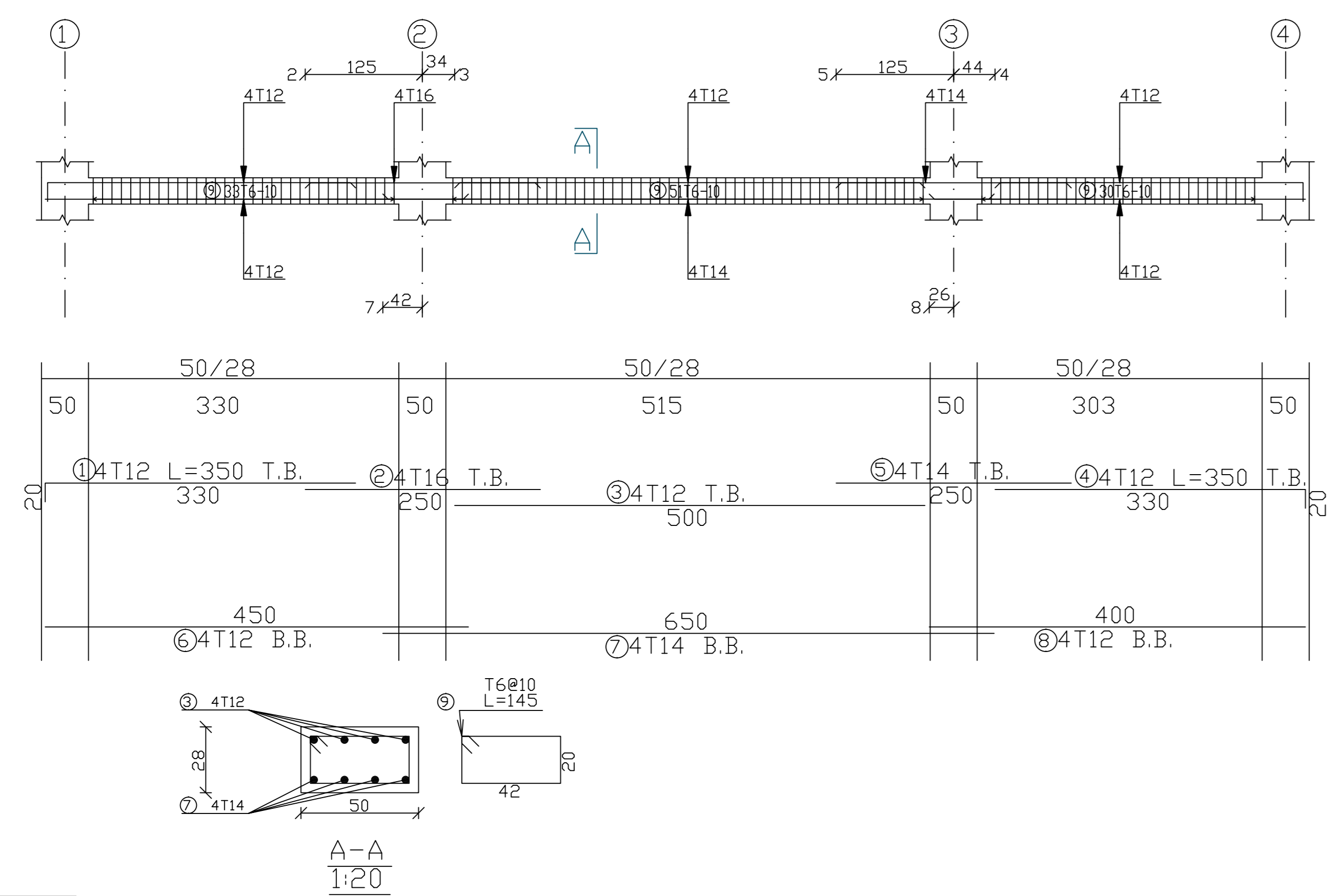
B02(80*28)
Scale 1:50



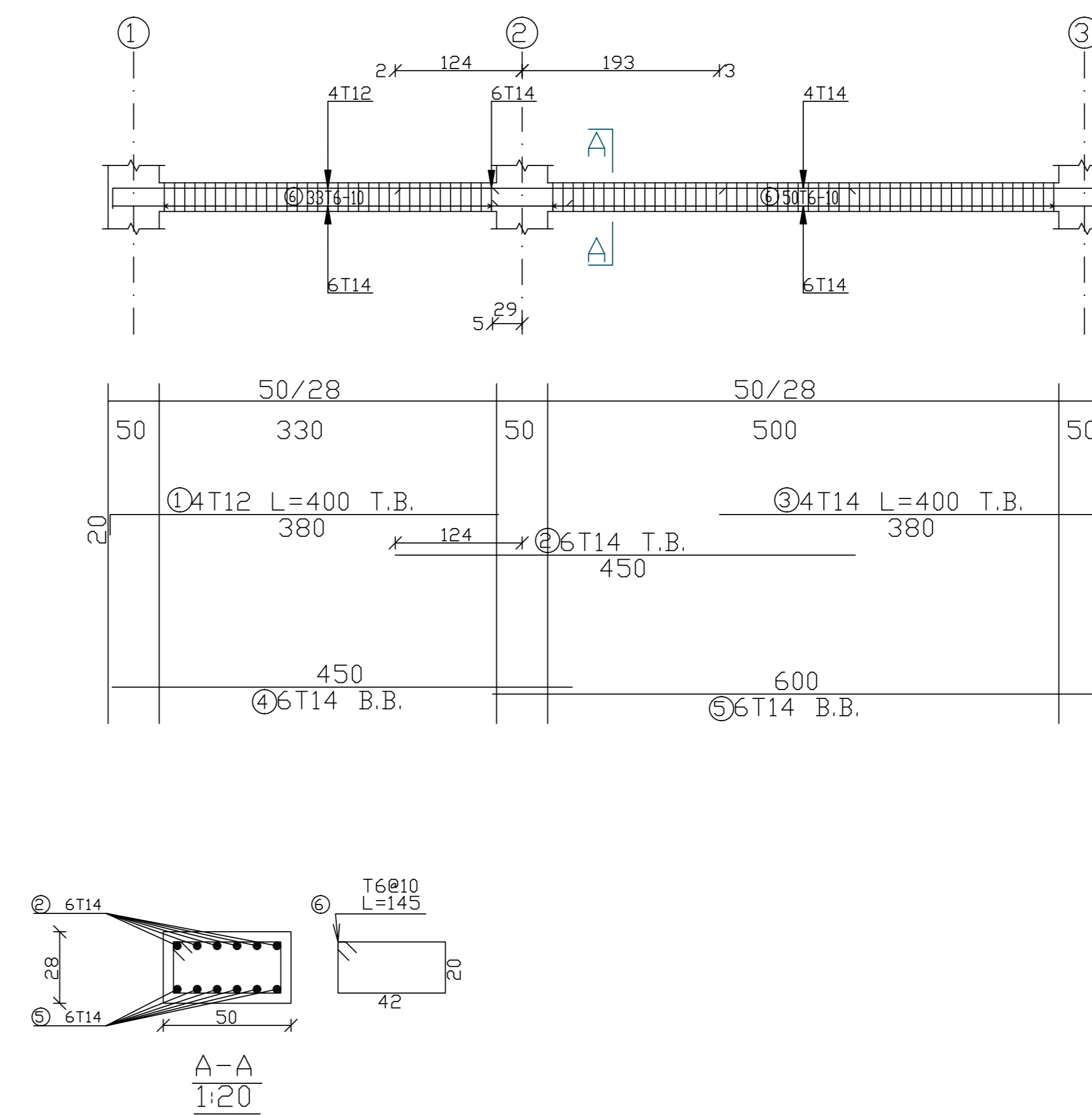
تصليح الجسور

S14

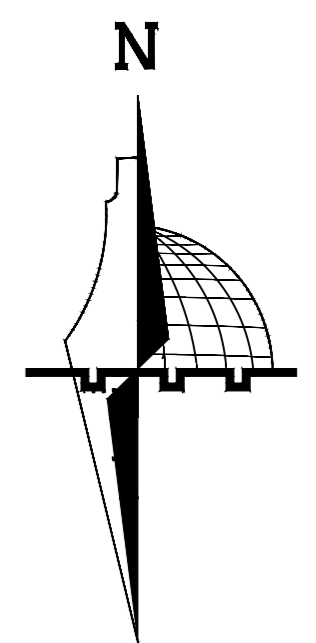
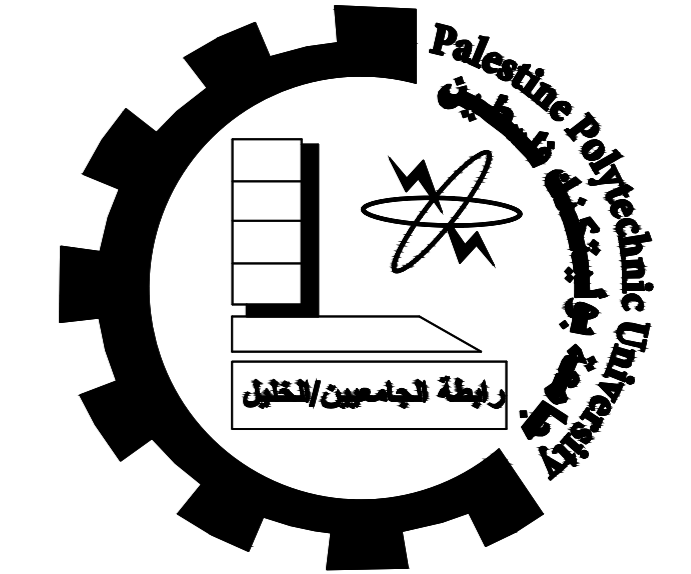
B03(50*28)
Scale 1:50



B04(50*28)
Scale 1:50



Palestine Polytechnic University



project title :
structural design for a commercial
residential building in the city of Hebron

Done by :
Rinad AL-Abed
Qamar AL-Anatsheh

supervisor:
Eng. Inas shweki

scale:

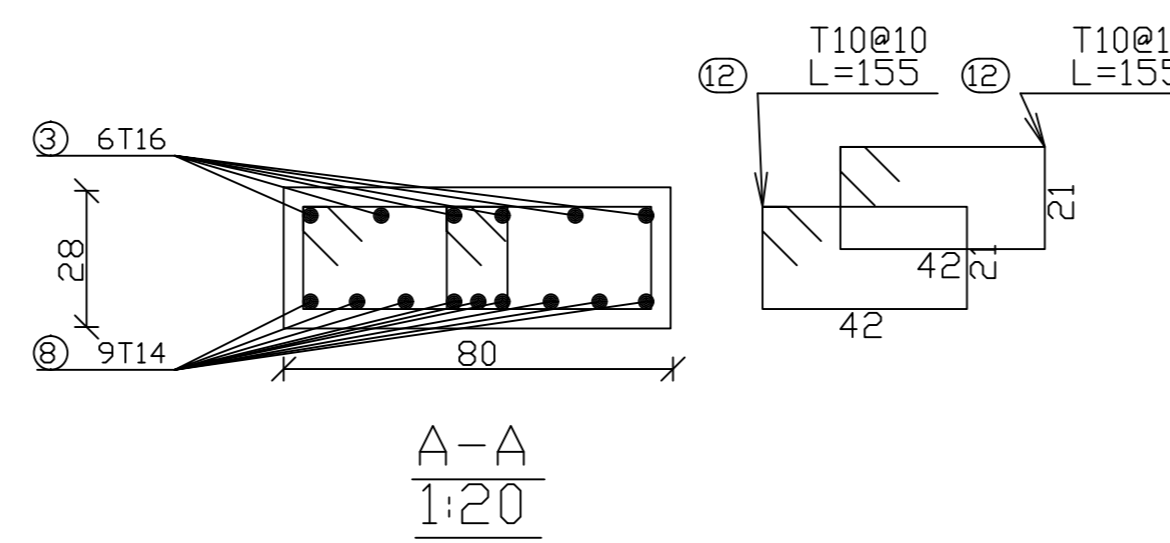
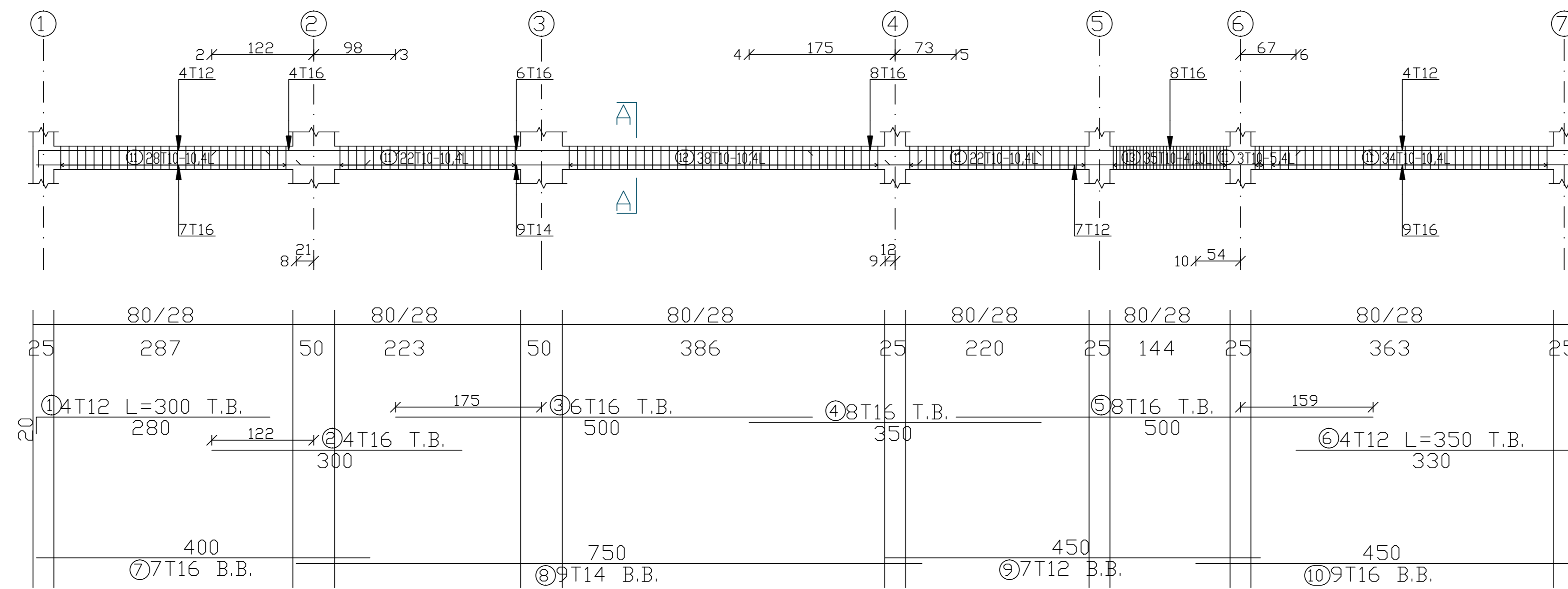
No. of
DRAW

S20

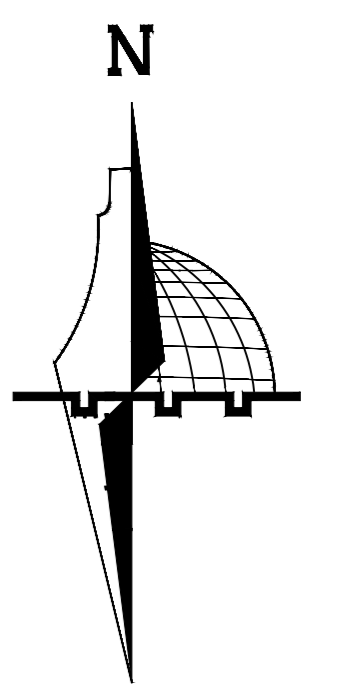
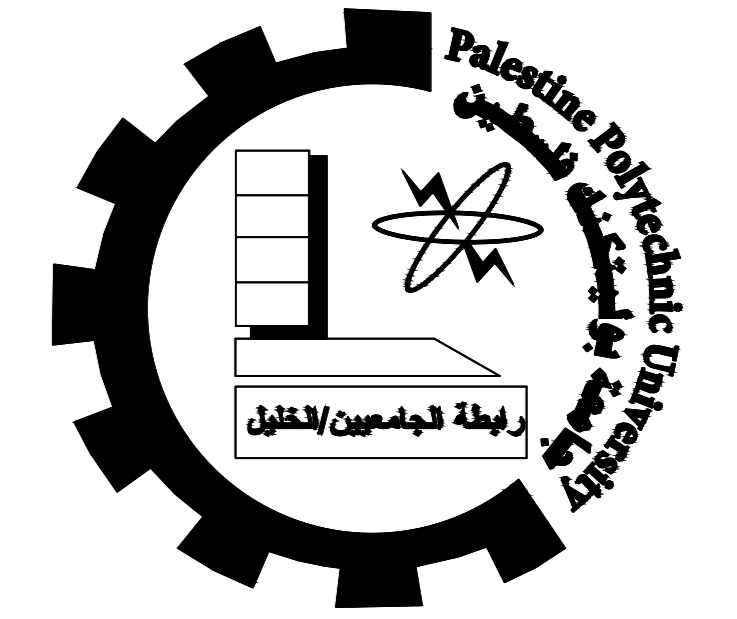
DATE: 23/5/2023

BEAM DETAILS

B06(80*28)
Scale 1:50

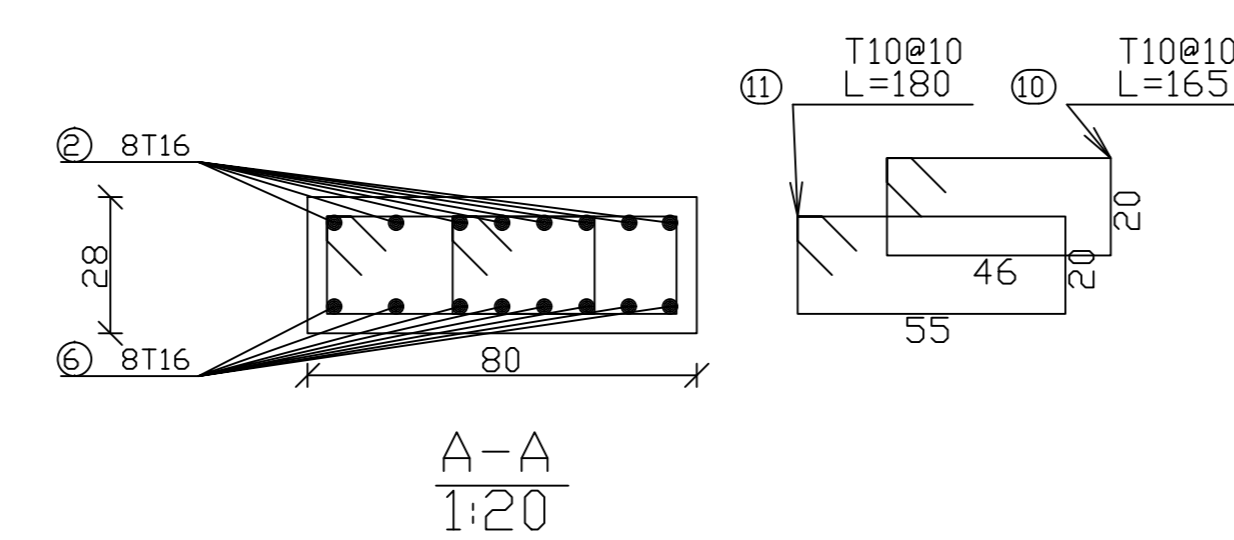
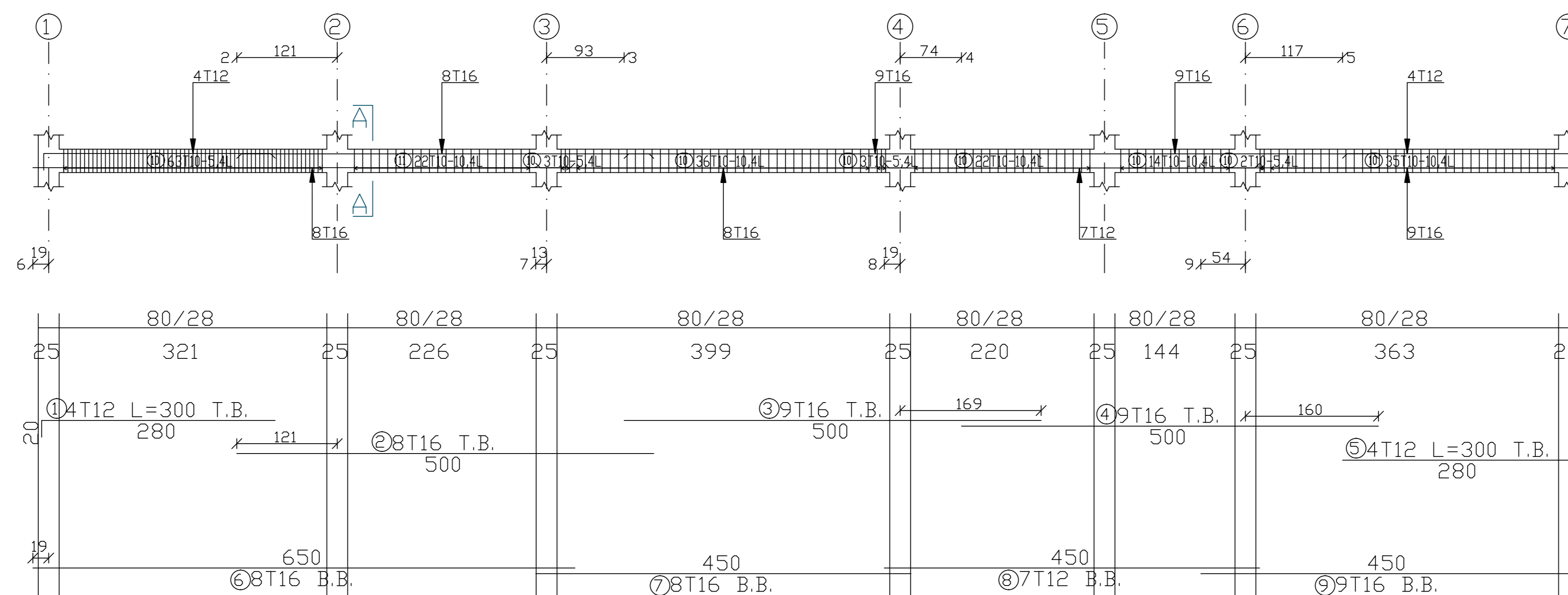


Palestine Polytechnic University



تسليح الجسور

S14 B05(80*28)
Scale 1:50



project title :

structural design for a commercial
residential building in the city of Hebron

Done by :

Rinad AL-Abed
Qamar AL-Anatsheh

supervisor:

Eng. Inas shweki

scale:

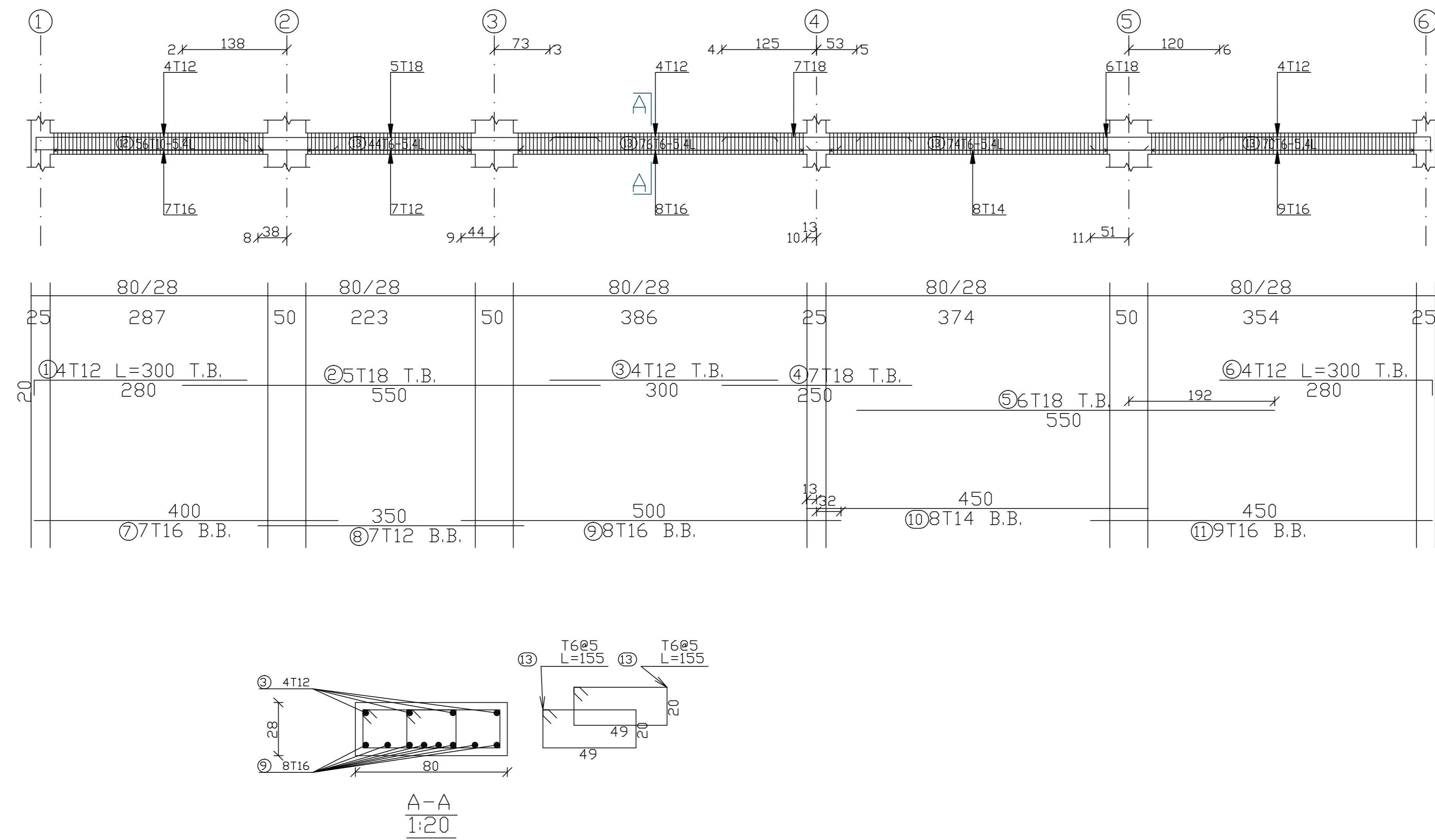
No. of
DRAW

S21

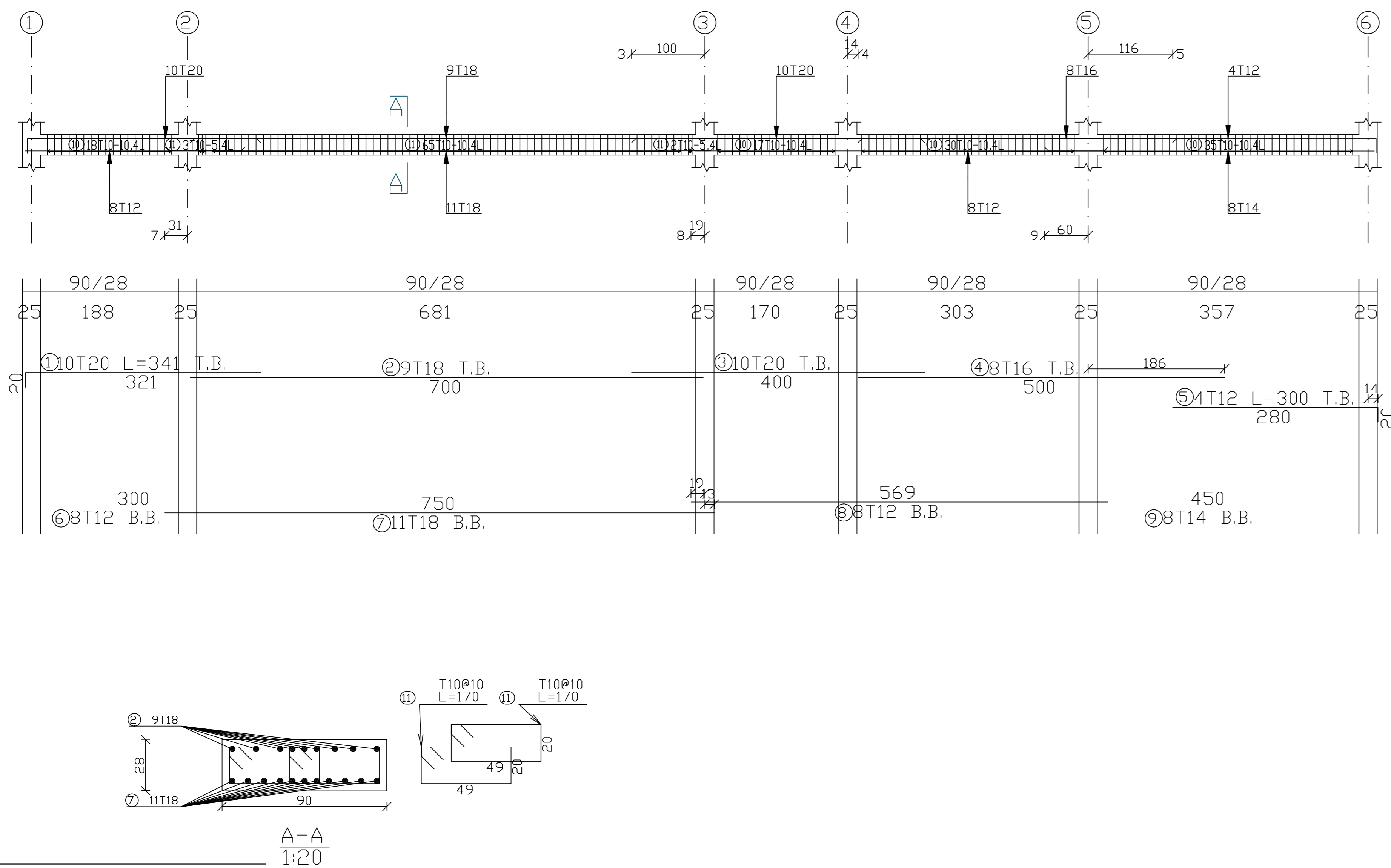
DATE: 23/5/2023

BEAM DETAILS

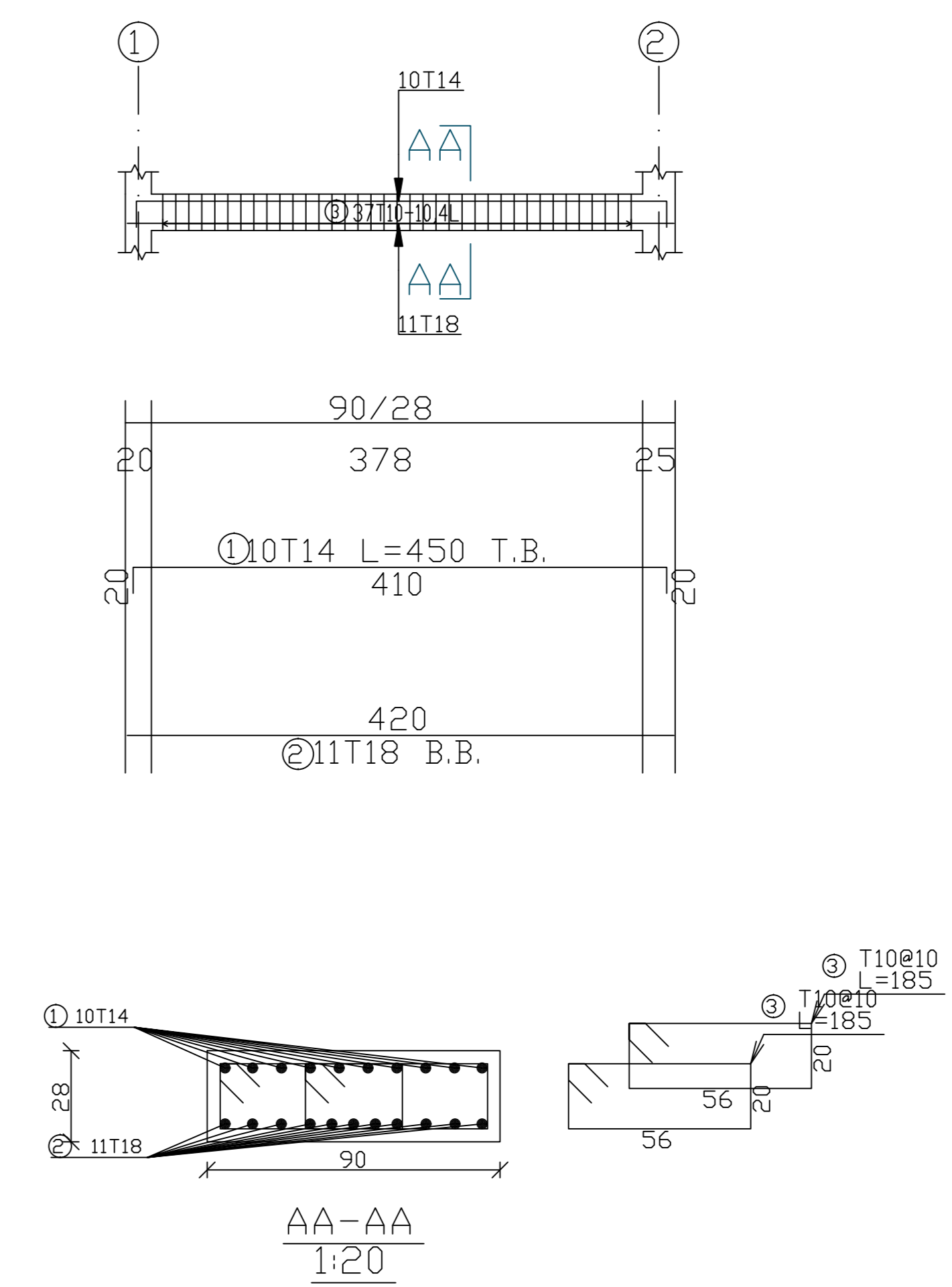
B07(80*28)
Scale 1:50



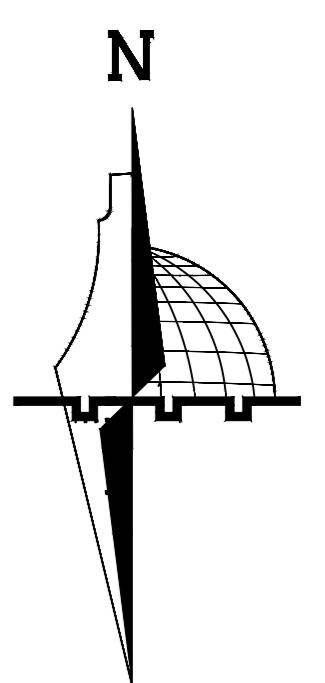
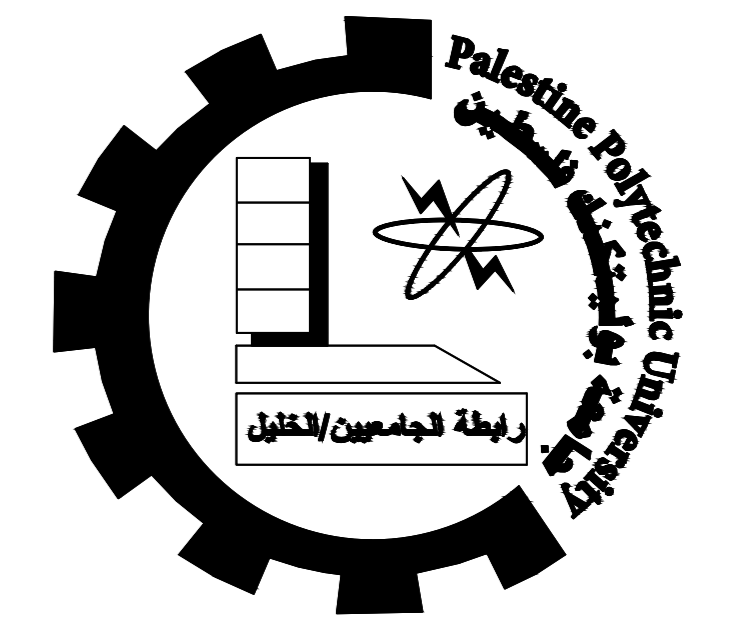
B08(80*28)
Scale 1:50



B09(80*28)
Scale 1:50



Palestine Polytechnic University



project title :
structural design for a commercial
residential building in the city of Hebron

Done by :
Rinad Al-Abed
Qamar Al-Anatsheh

supervisor:
Eng. Inas shaweki

scale:

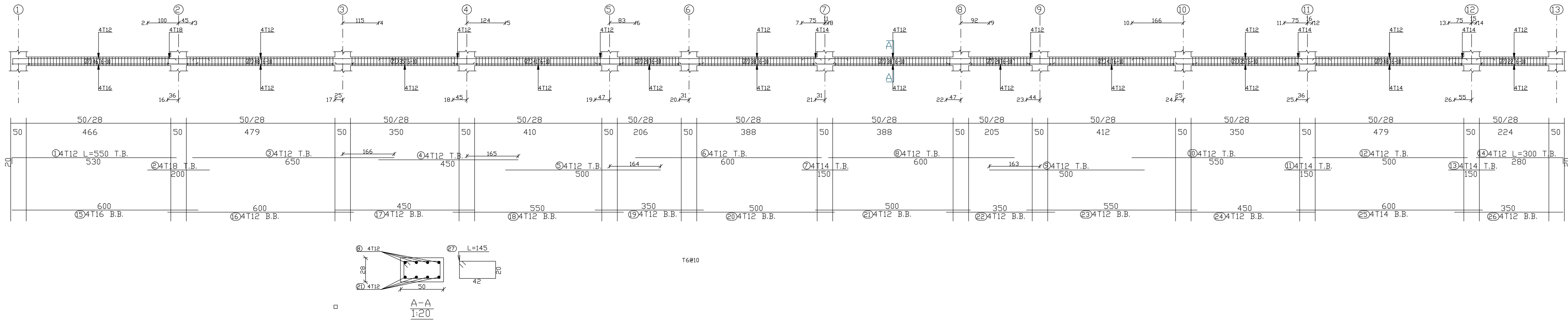
No. of
DRAW

S22

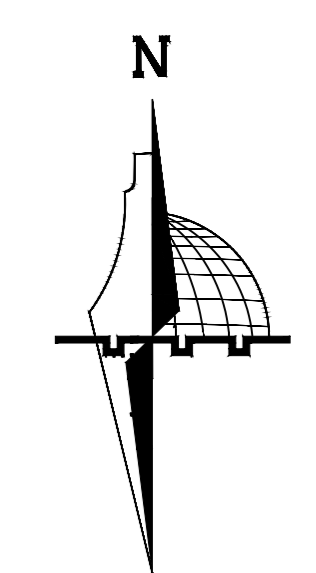
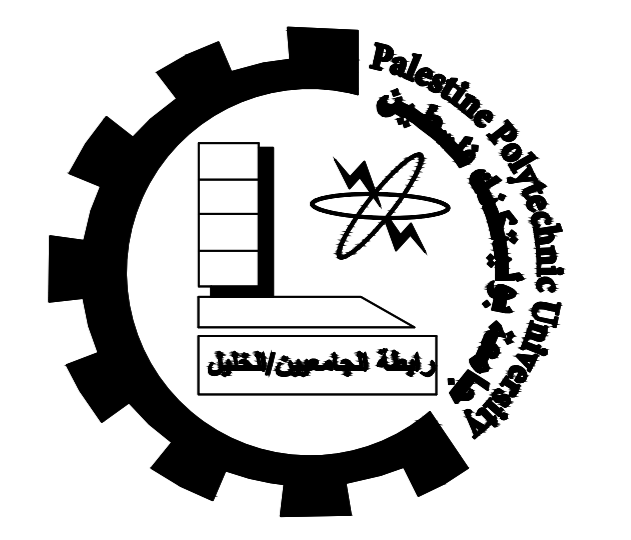
DATE: 23/5/2023

BEAM DETAILS

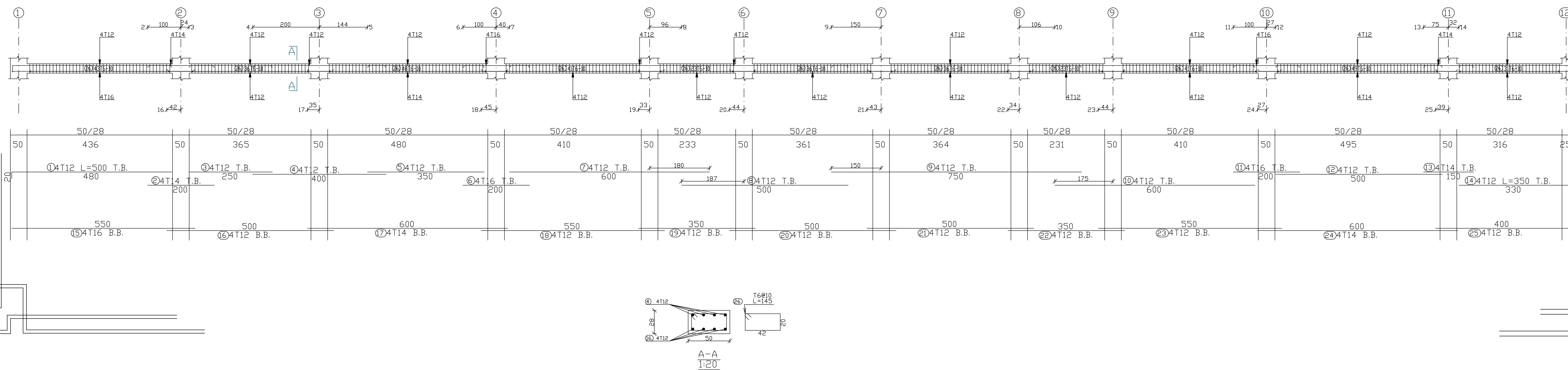
B10(50*28)
Scale 1:50



Palestine Polytechnic University



B11(50*28)
Scale 1:50



project title :

structural design for a commercial residential building in the city of Hebron

Done by :

Rinad Al-Abed
Qamar Al-Anatshah

supervisor:

Eng. Inas shweki

scale:

No. of DRAW

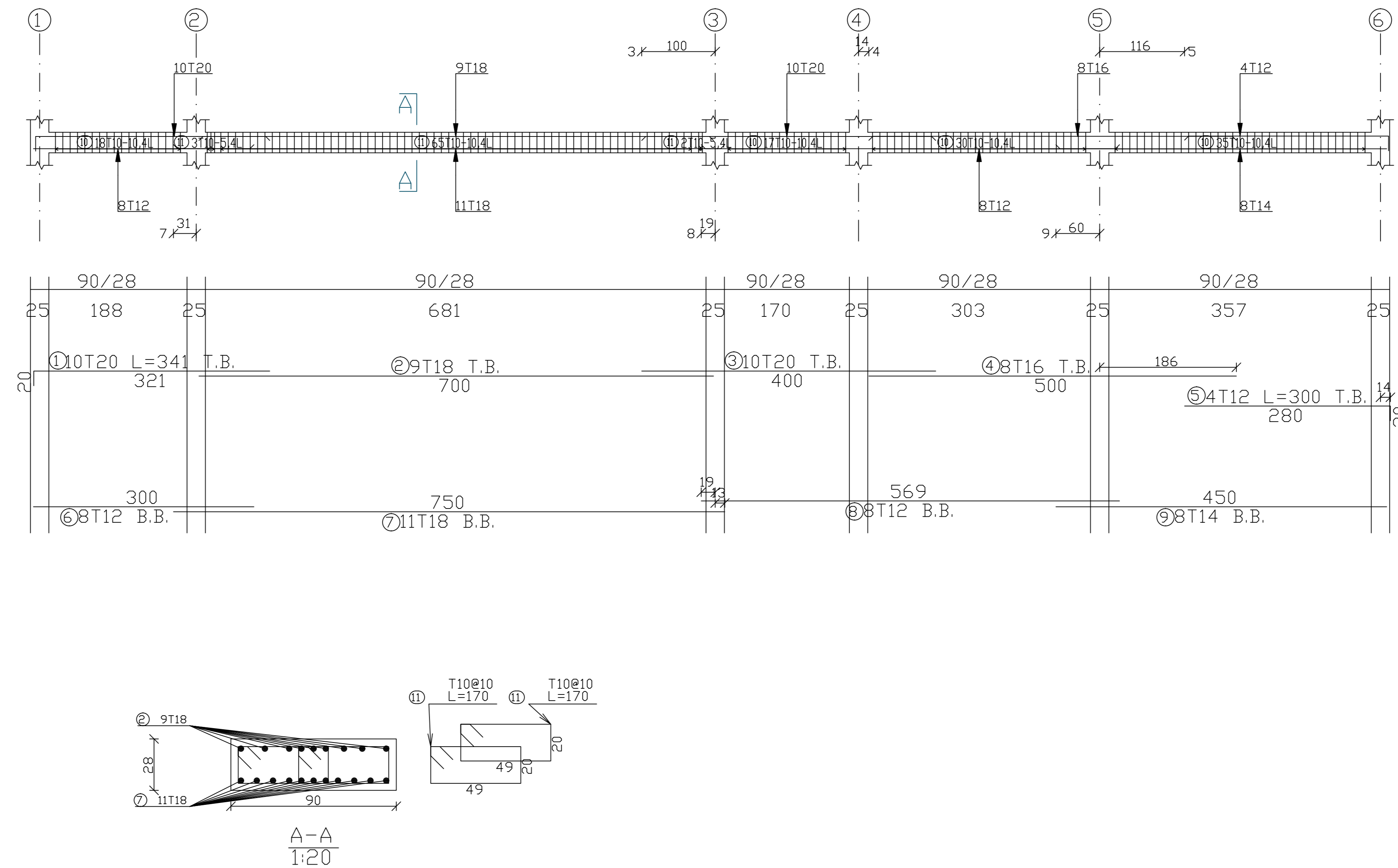
S23

DATE:

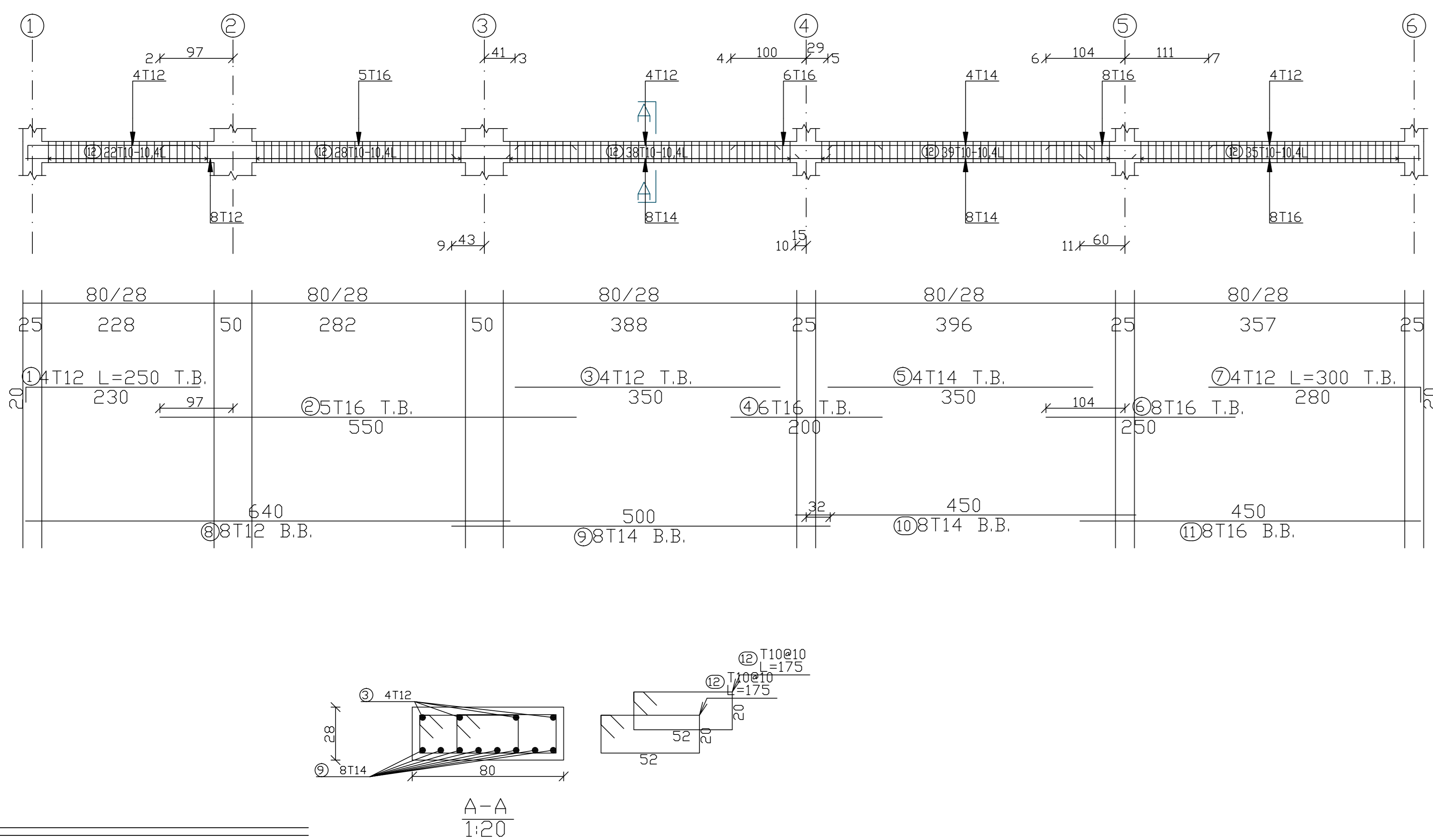
23/5/2023

BEAM DETAILS

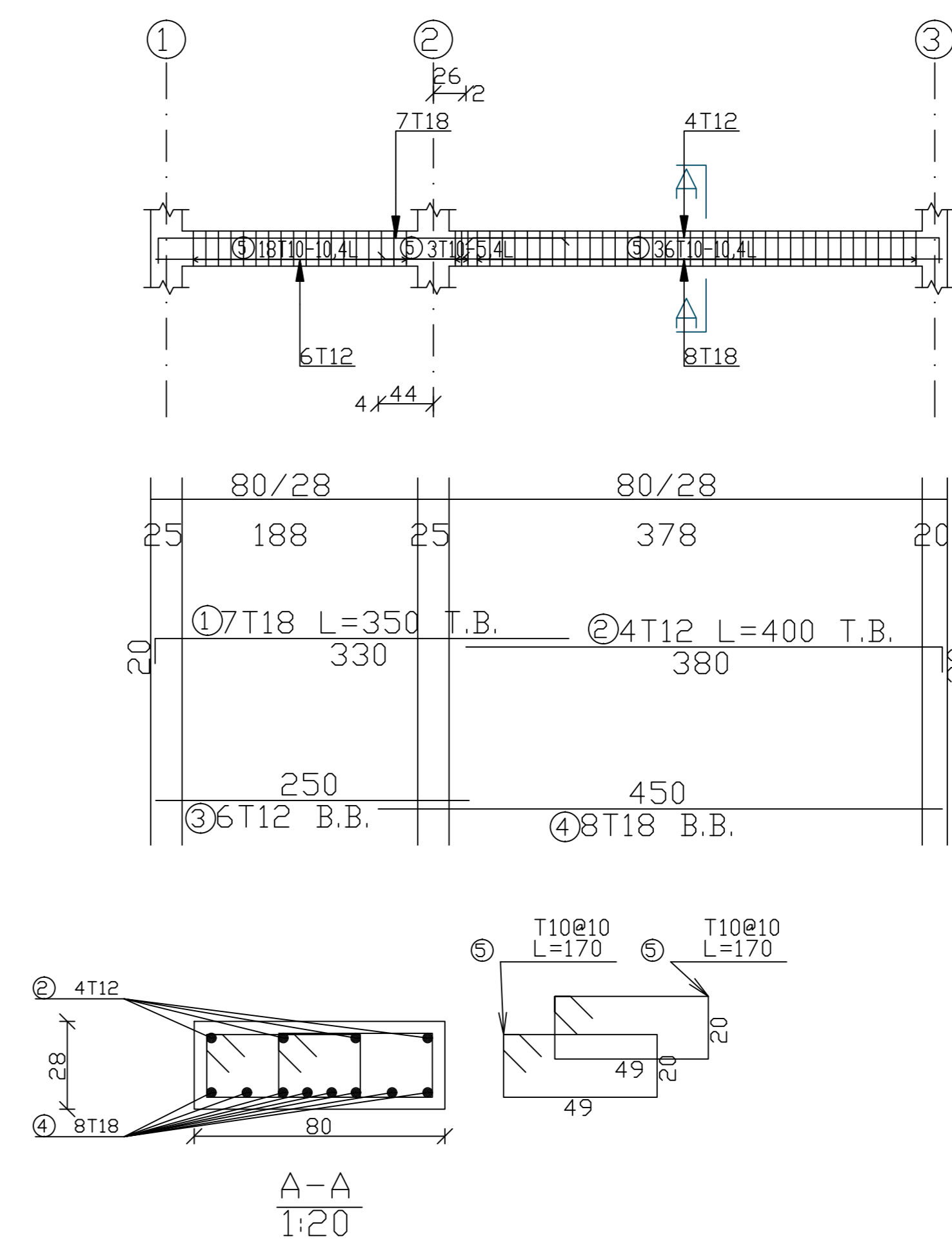
B12(80*28)
Scale 1:50



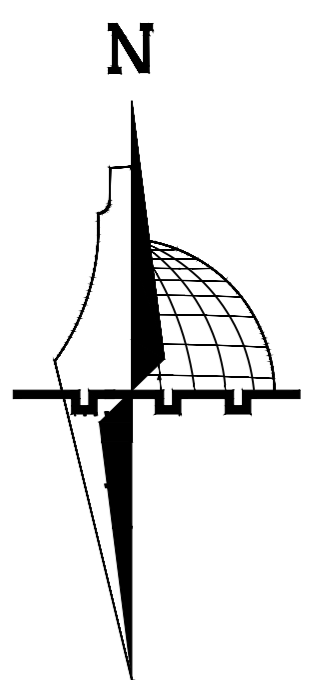
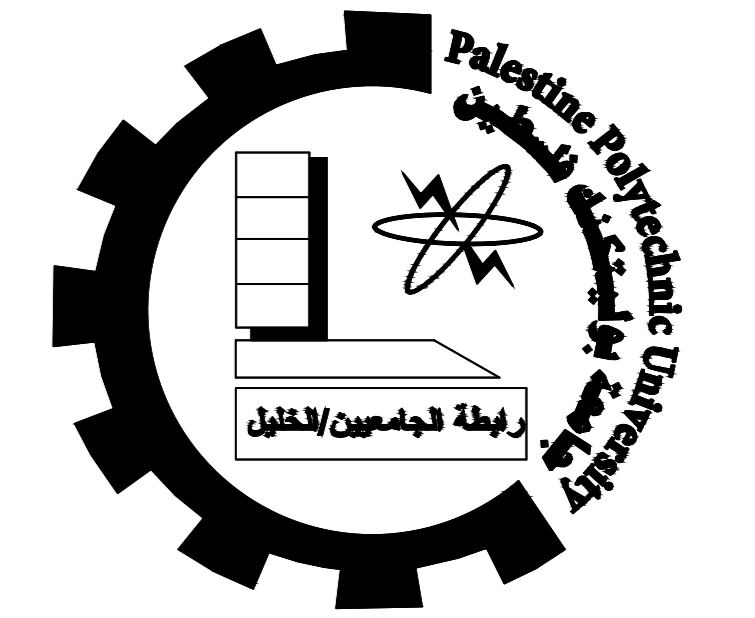
B14(80*28)
Scale 1:50



B13(80*28)
Scale 1:50



Palestine Polytechnic University



project title :
structural design for a commercial
residential building in the city of Hebron

Done by :
Rinad AL-Abed
Qamar AL-Anatsheh

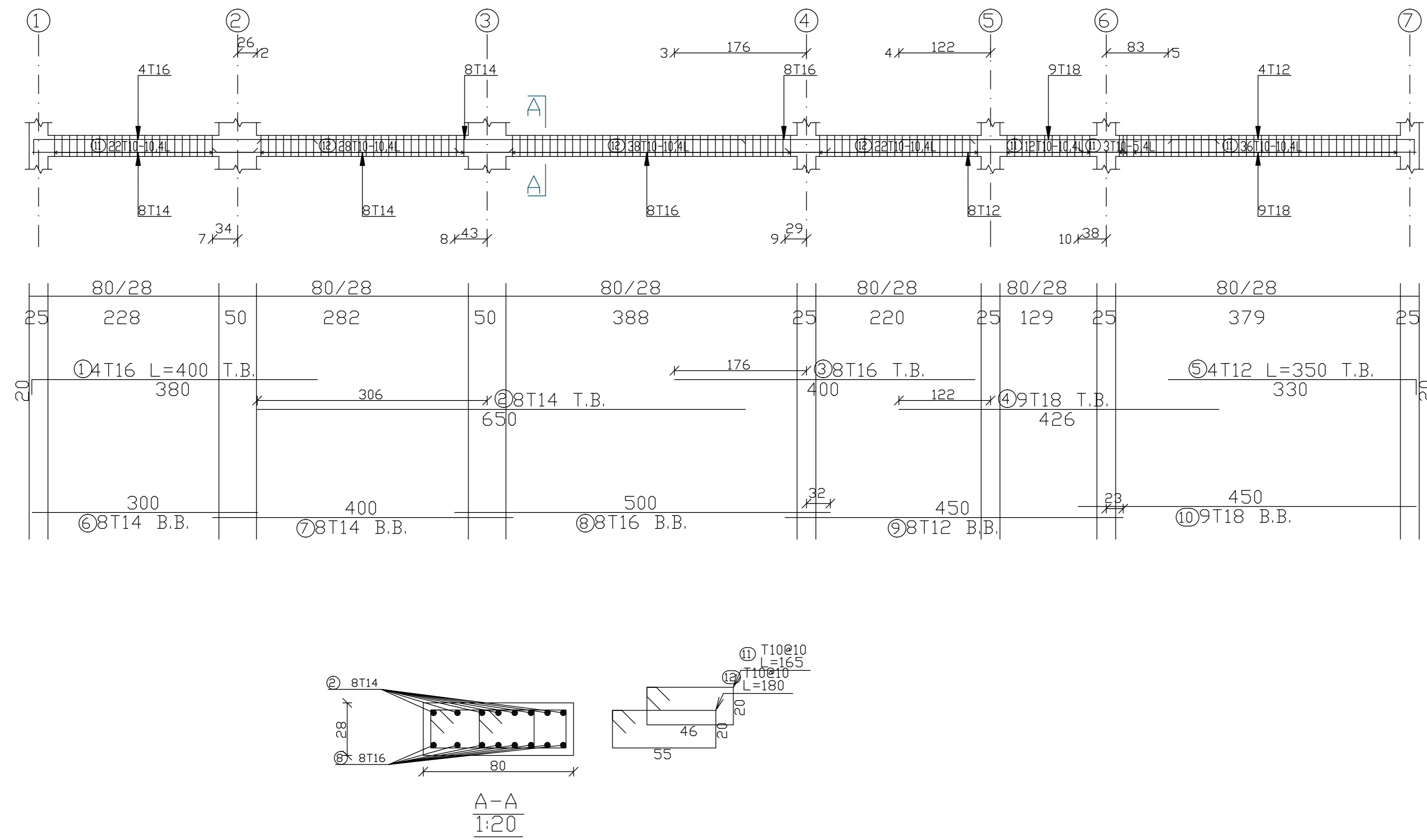
supervisor:
Eng. Inas shaweki

scale:
No. of
DRAW **S24**

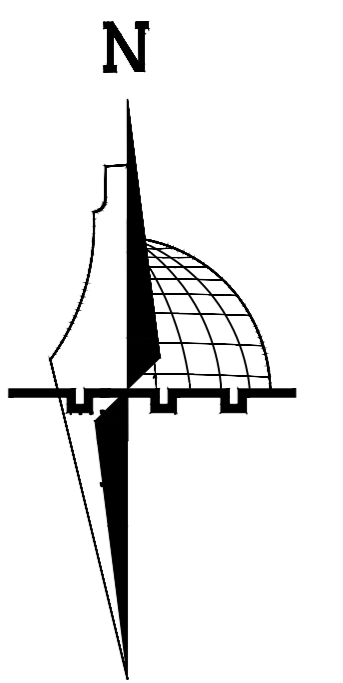
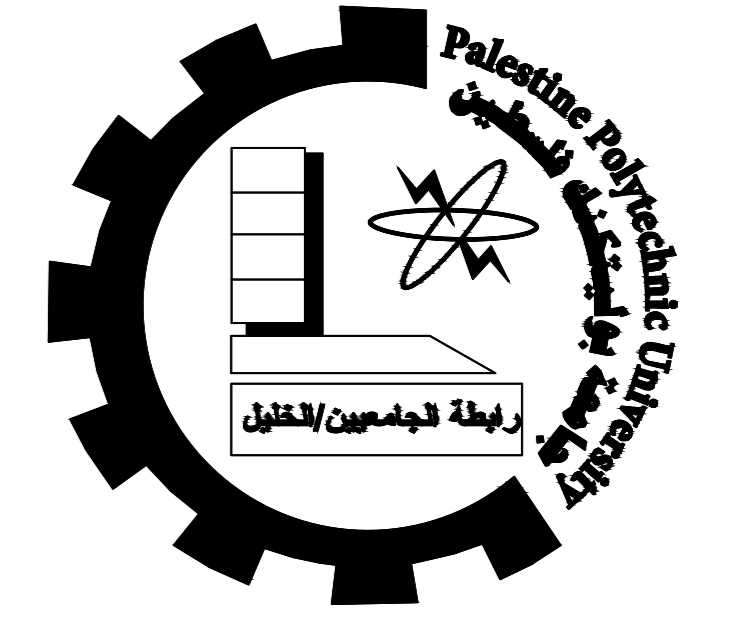
DATE: 23/5/2023

BEAM DETAILS

B15(80*28)
Scale 1:50



Palestine Polytechnic University



project title :

structural design for a commercial
residential building in the city of Hebron

Done by :

Rinad AL-Abed
Qamar AL-Anatsheh

supervisor:

Eng. Inas shweki

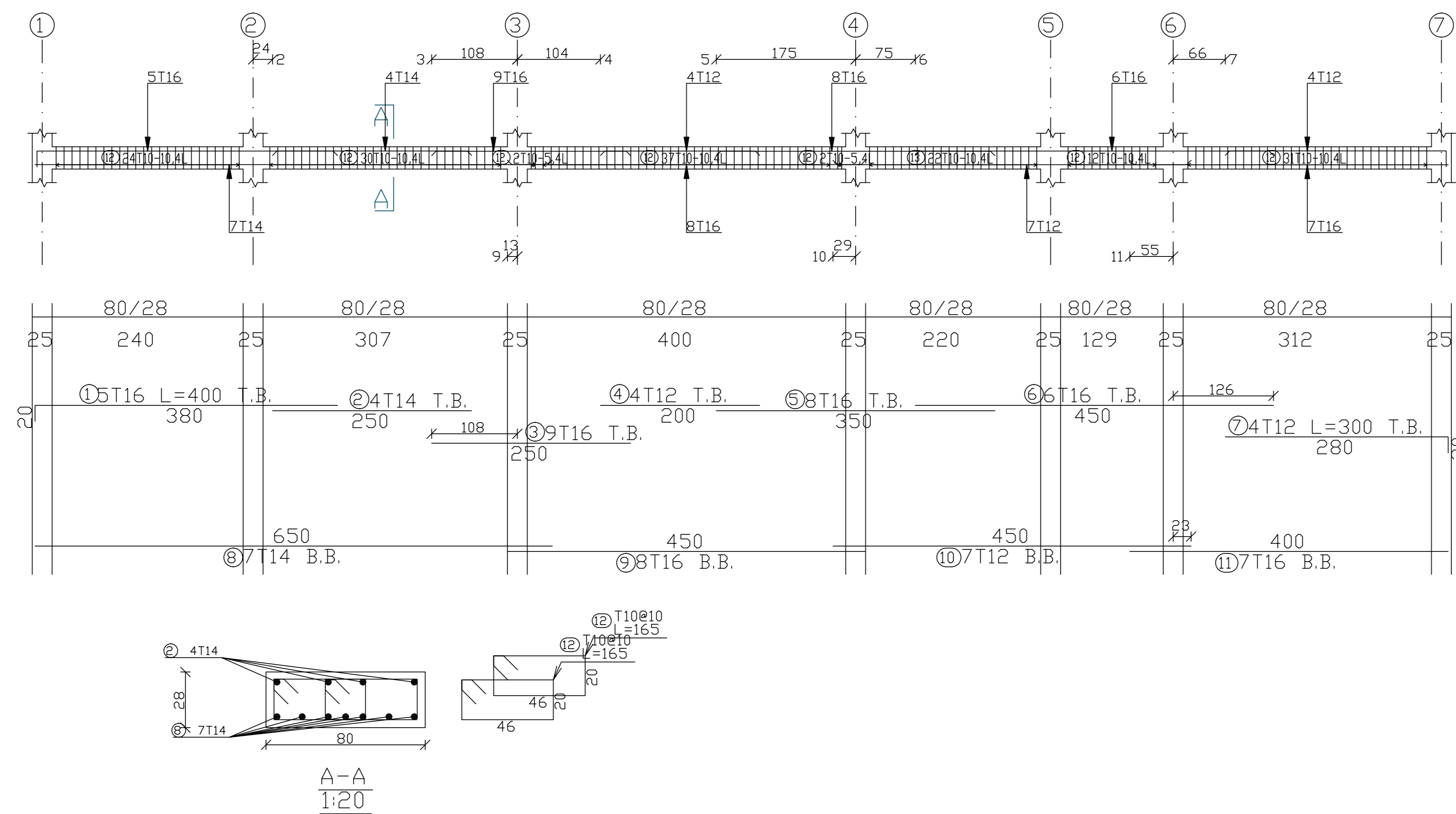
scale:

No. of
DRAW

S25

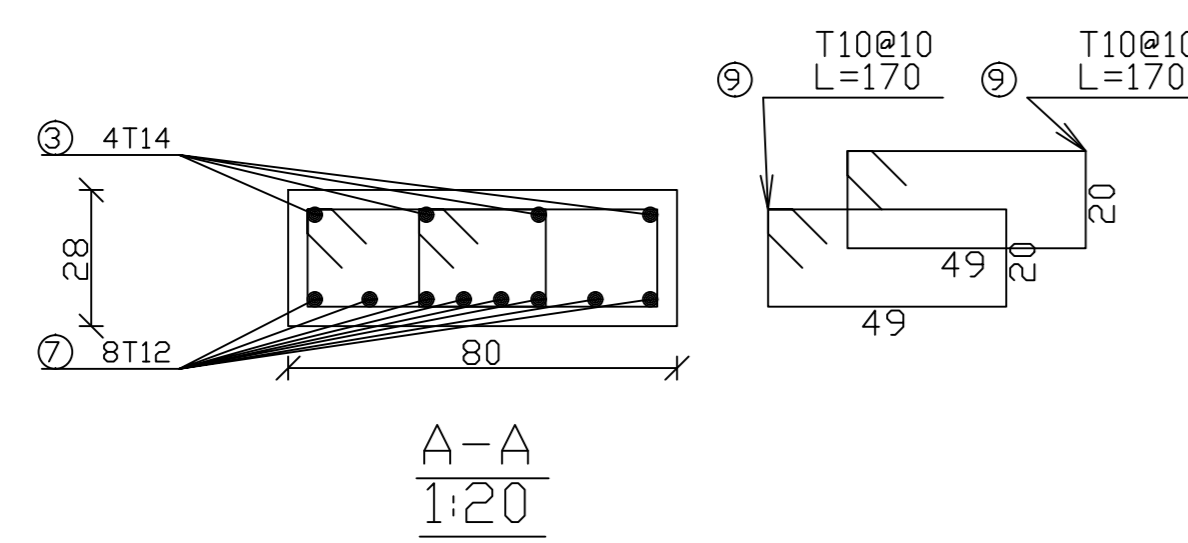
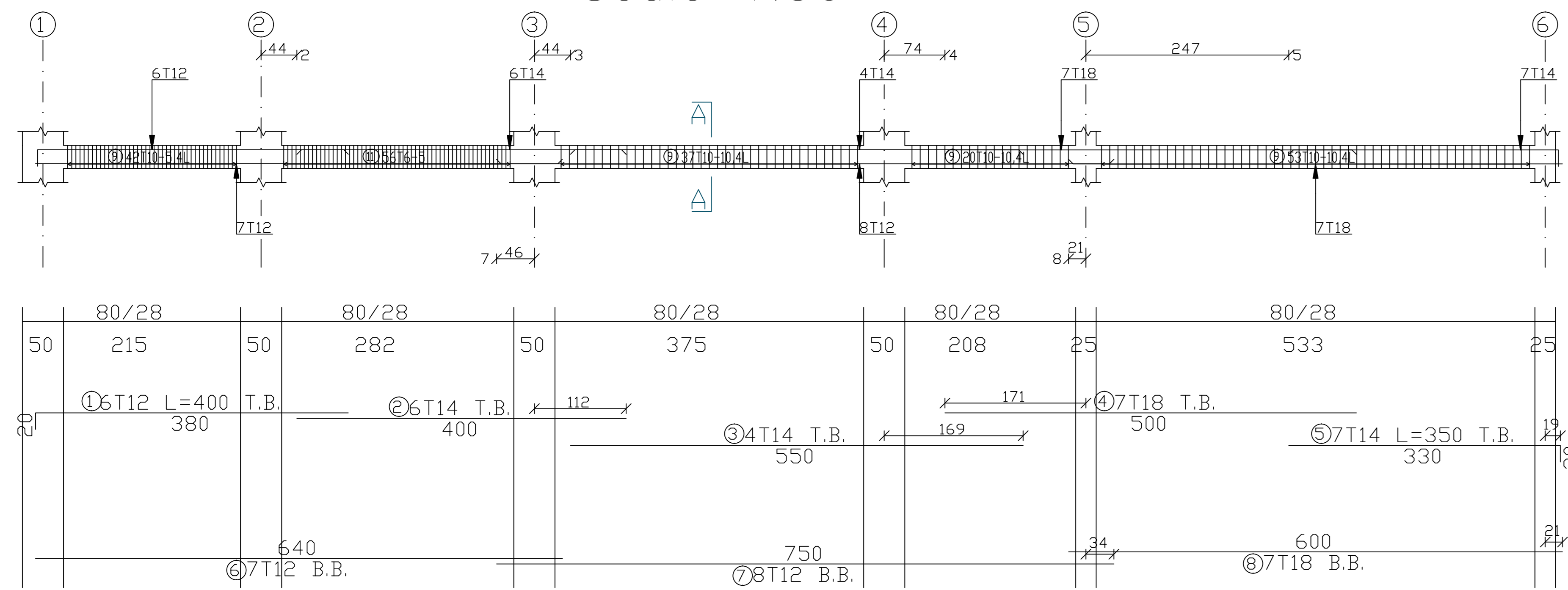
DATE: 23/5/2023

B16(80*28)
Scale 1:50

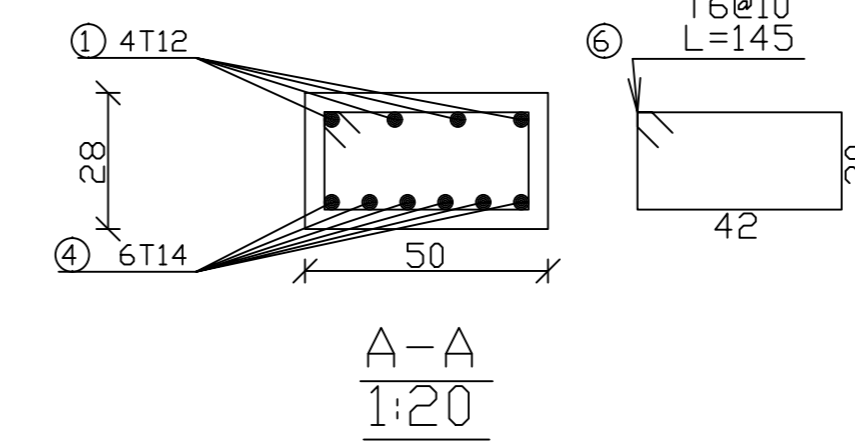
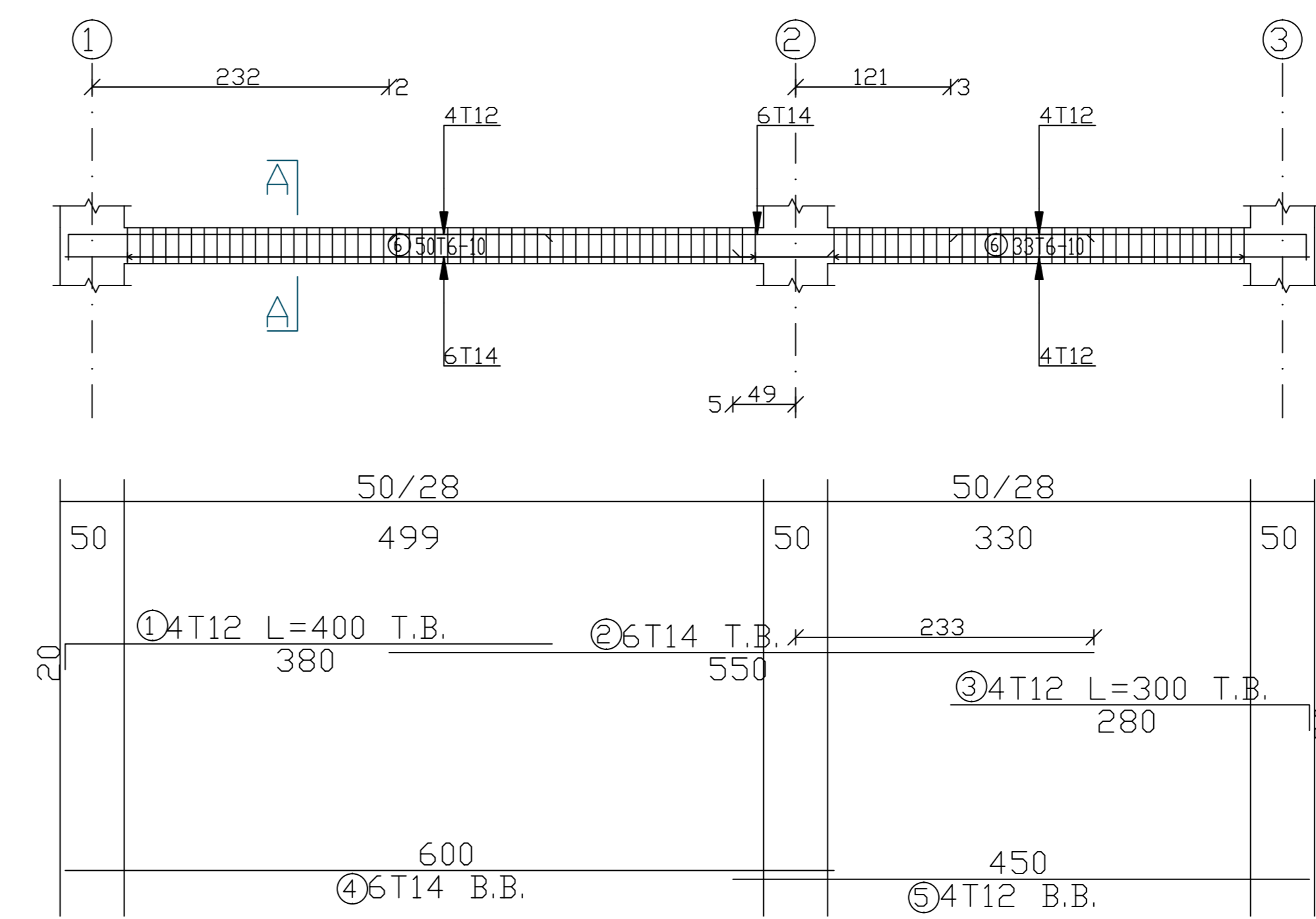


BEAM DETAILS

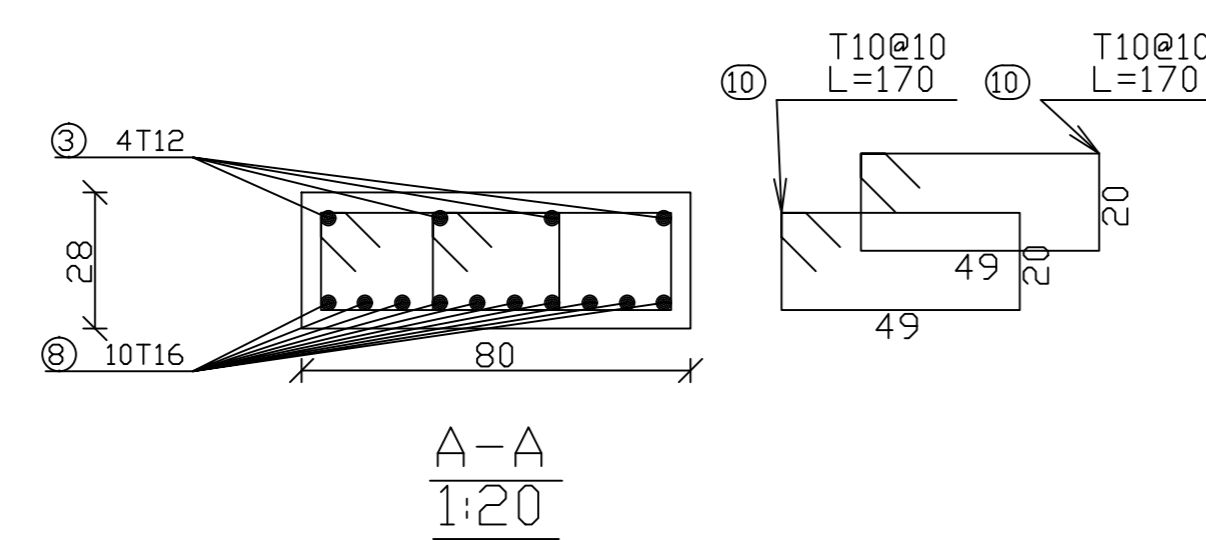
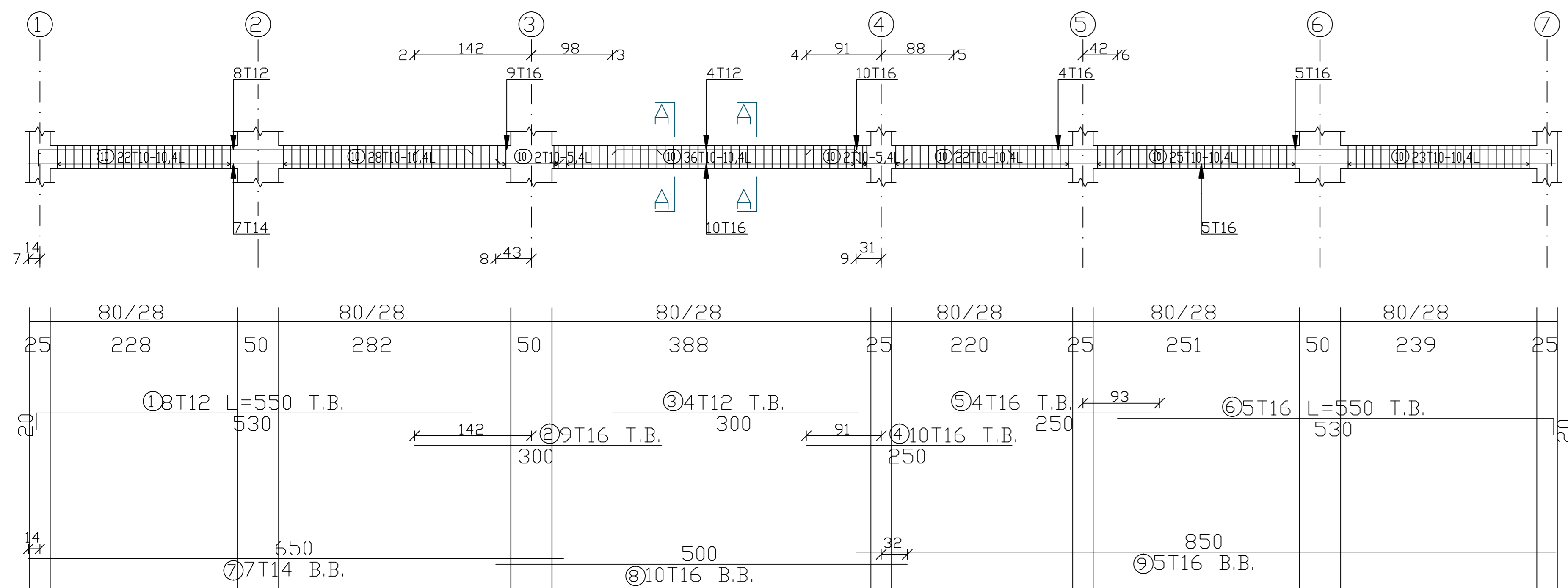
B20(80*28)
Scale 1:50



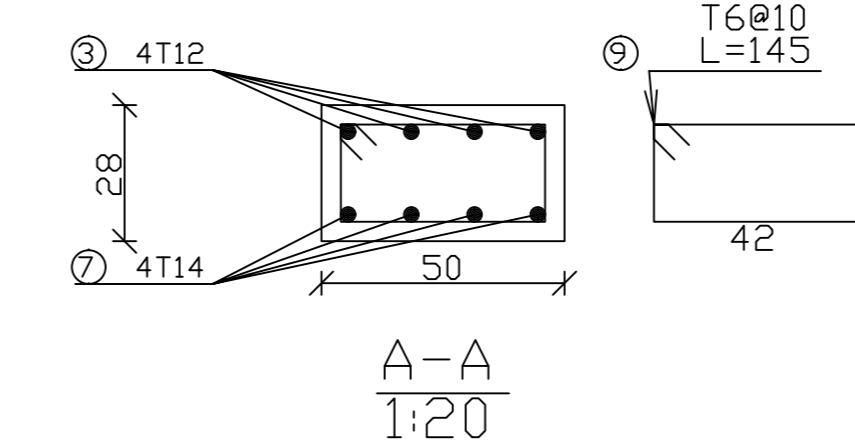
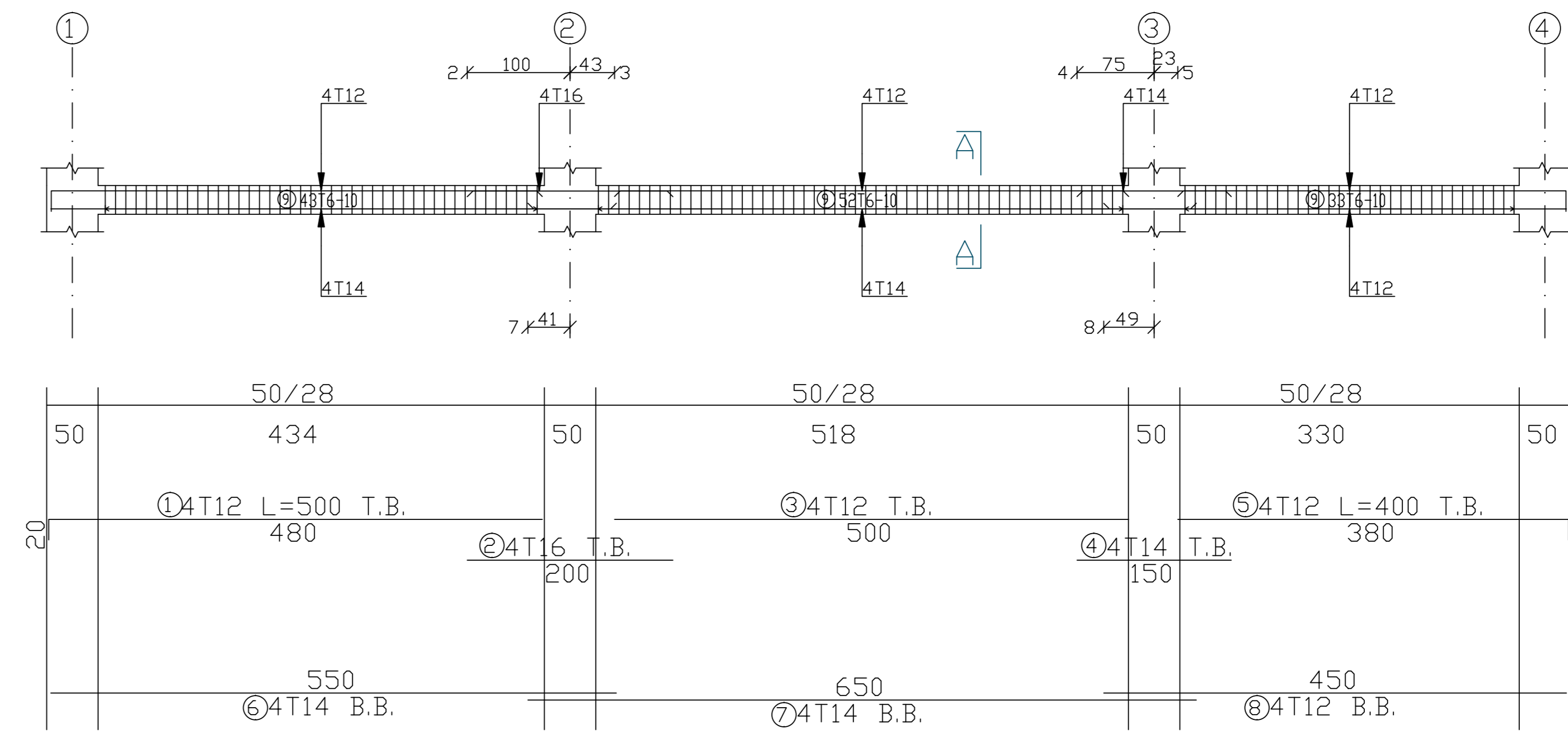
B18(50*28)
Scale 1:50



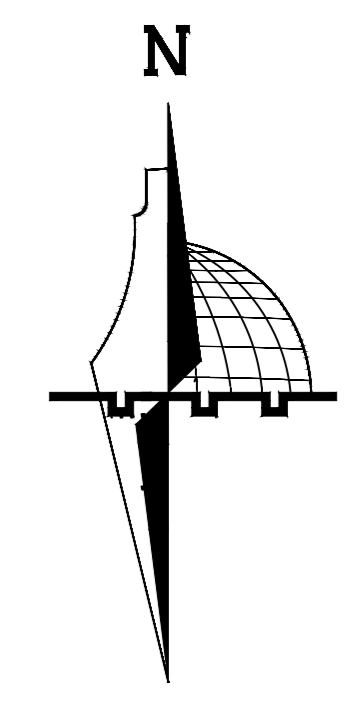
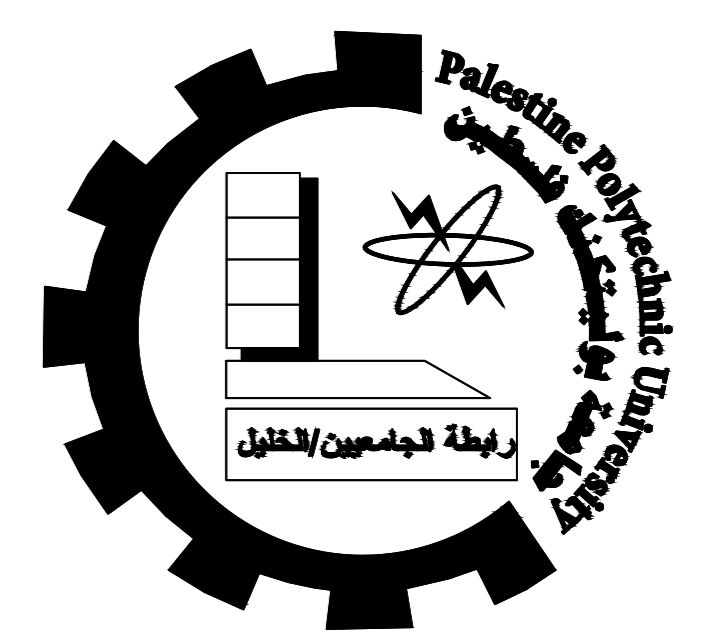
B19(80*28)
Scale 1:50



B17(50*28)
Scale 1:50



Palestine Polytechnic University



project title :
structural design for a commercial residential building in the city of Hebron

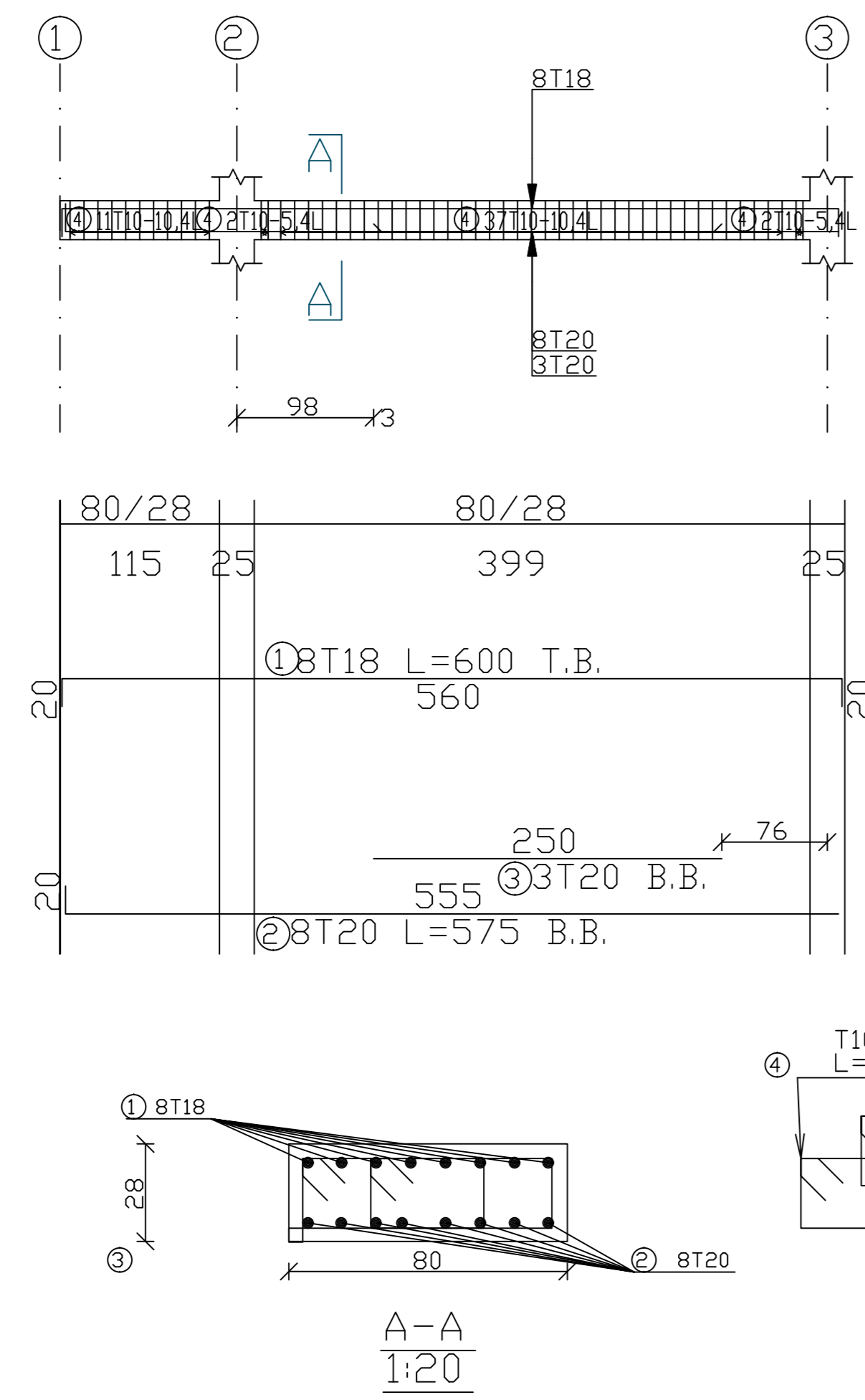
Done by :
Rinad AL-Abed
Qamar AL-Anatsheh

supervisor:
Eng. Inas shaweki

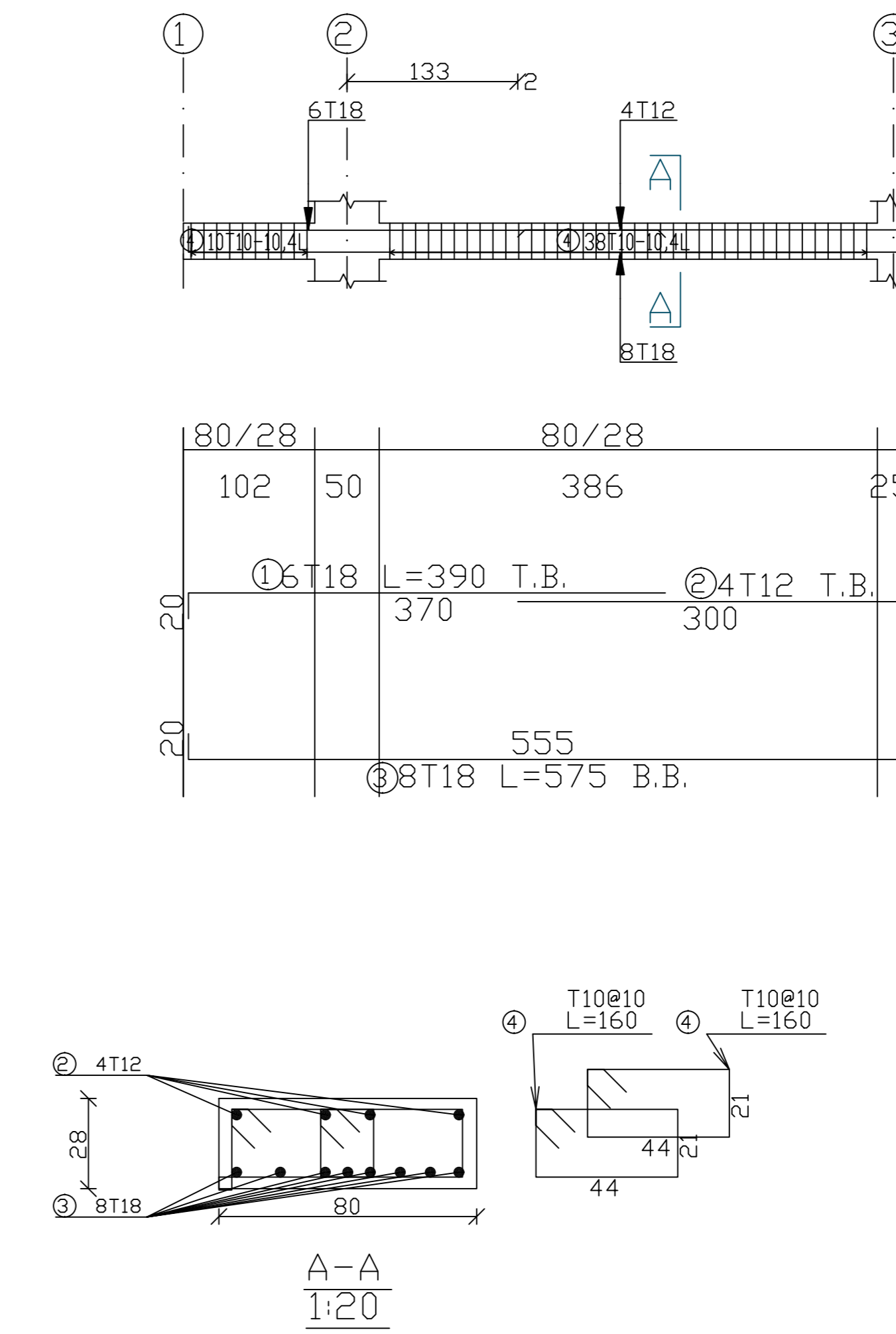
scale:
No. of DRAW **S26**
DATE: 23/5/2023

BEAM DETAILS

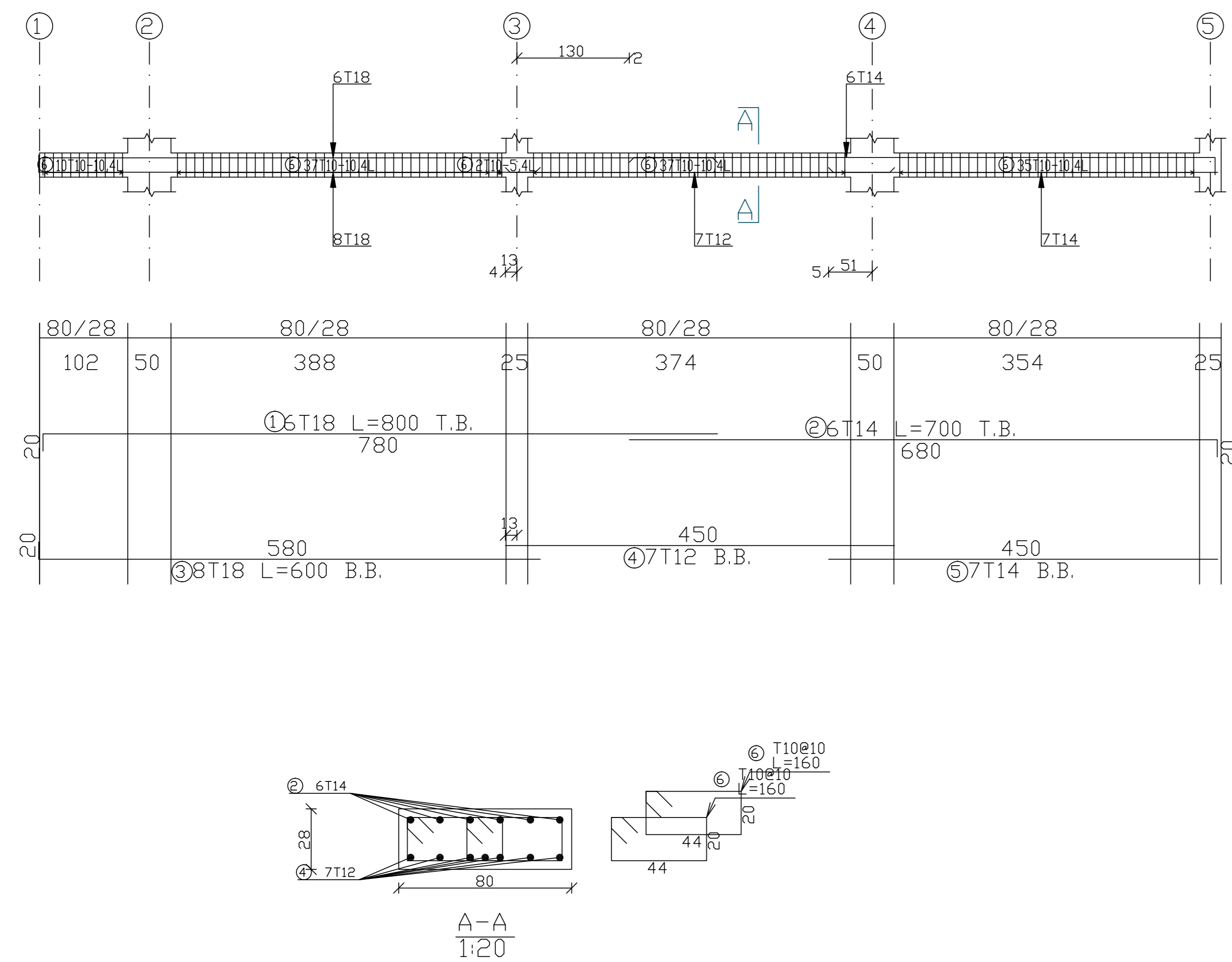
BG02(80*28)
Scale 1:50



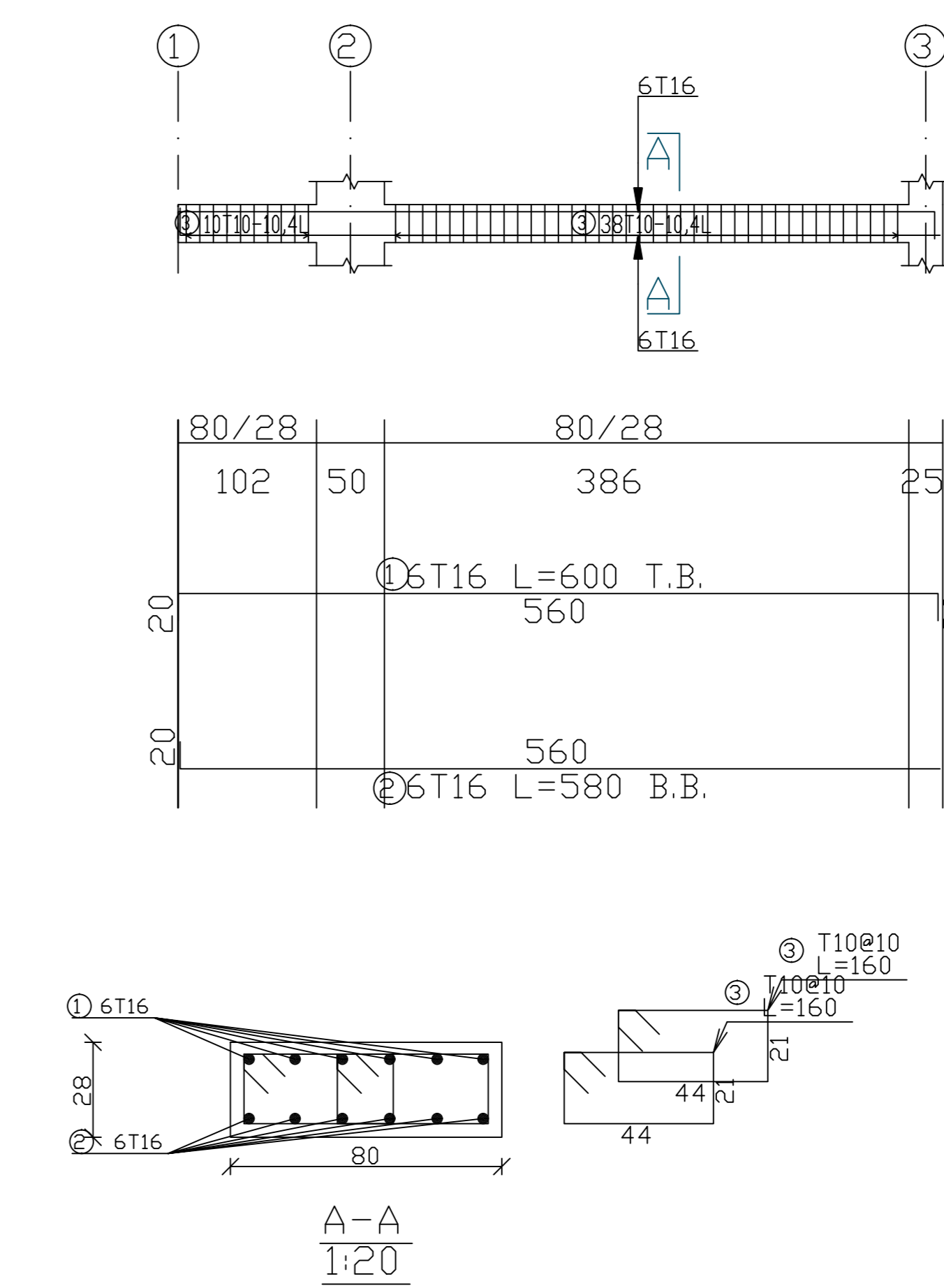
BG01(80*28)



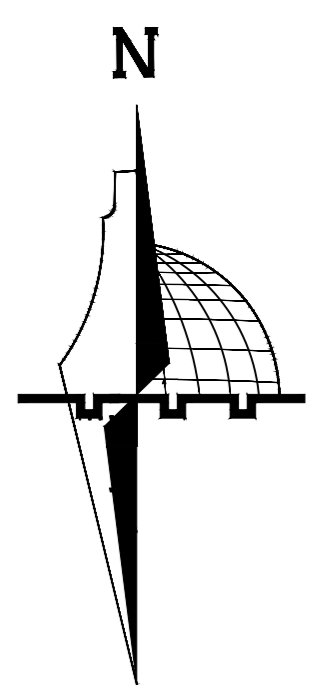
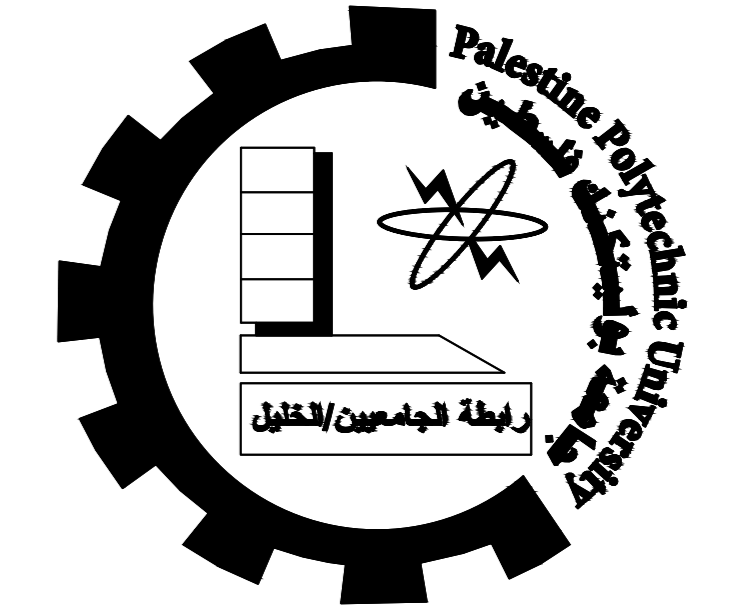
G04(80*28)
Scale 1:50



BG03(80*28)
Scale 1:50



Palestine Polytechnic University



project title :
structural design for a commercial
residential building in the city of Hebron

Done by :
Rinad AL-Abed
Qamar AL-Anatsheh

supervisor:
Eng. Inas shweki

scale:

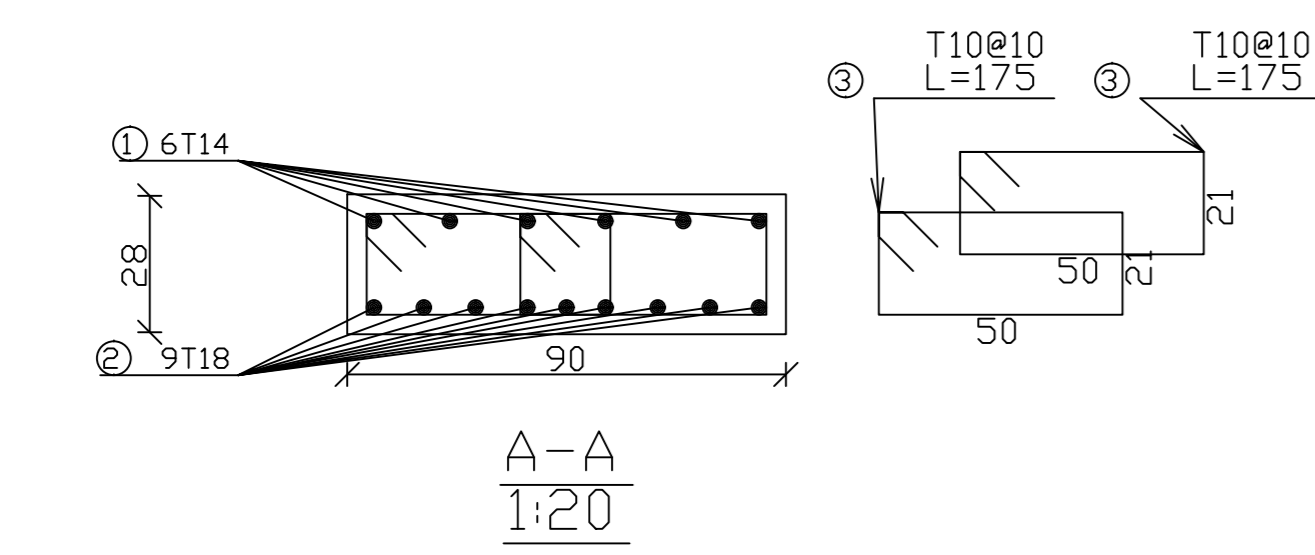
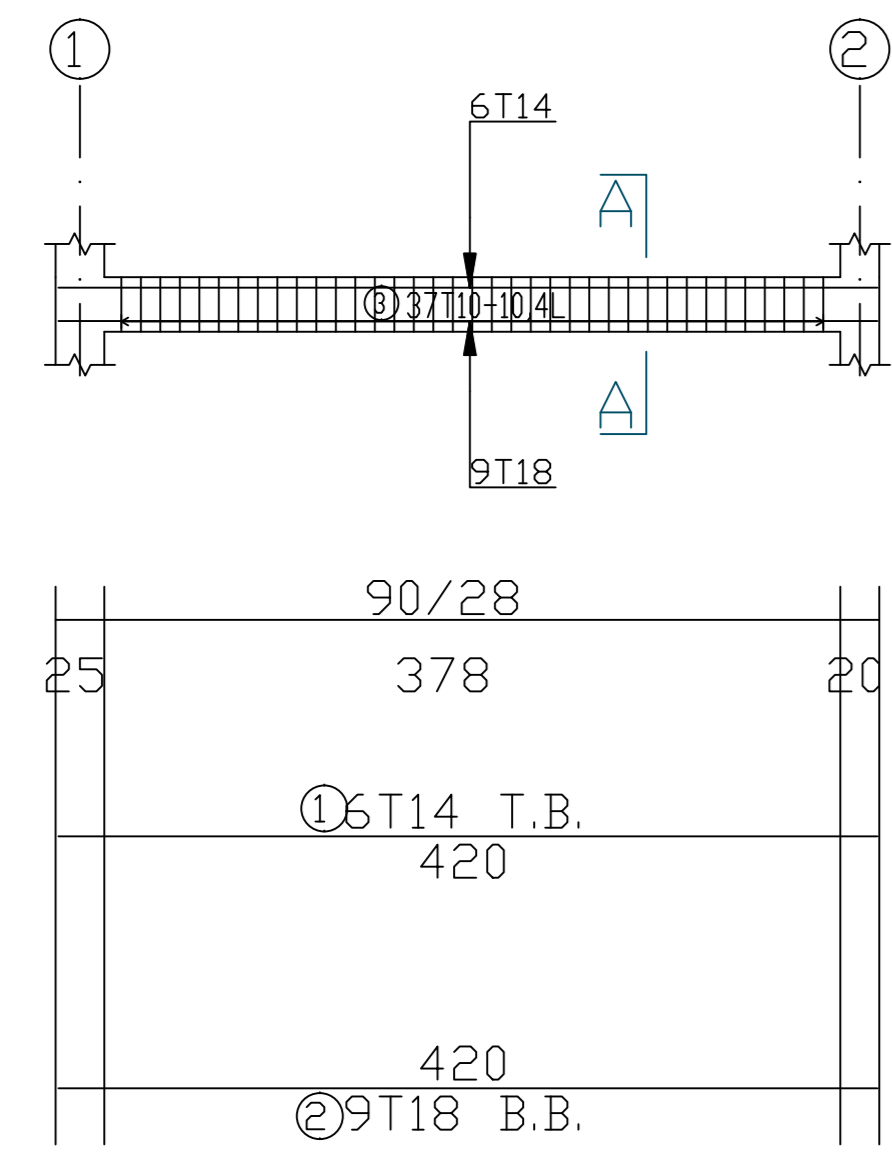
No. of
DRAW

S27

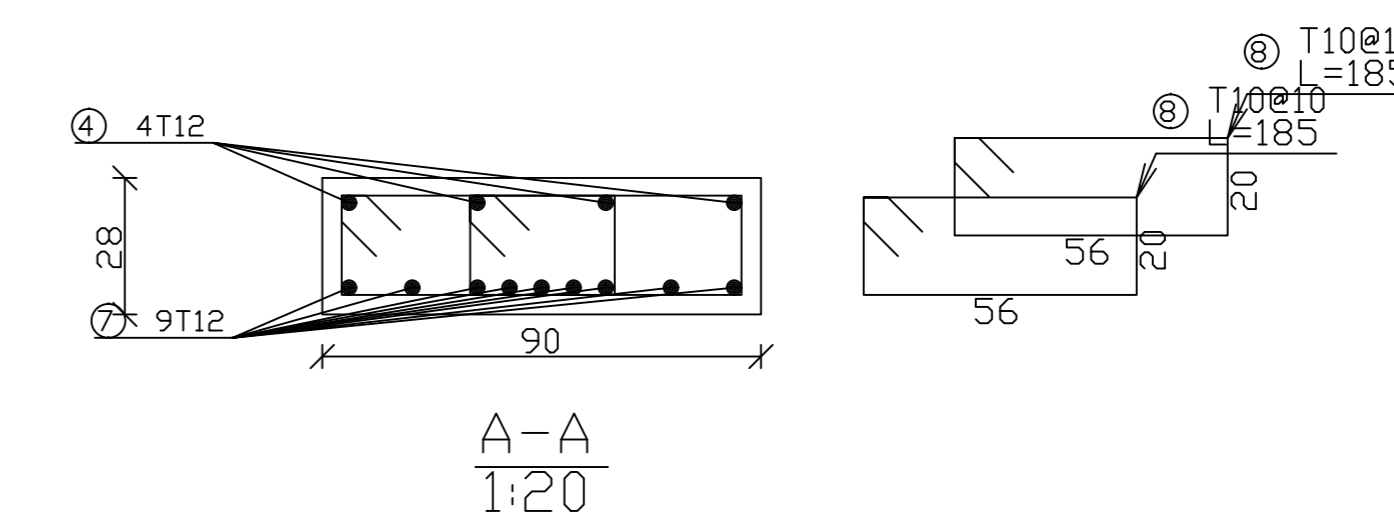
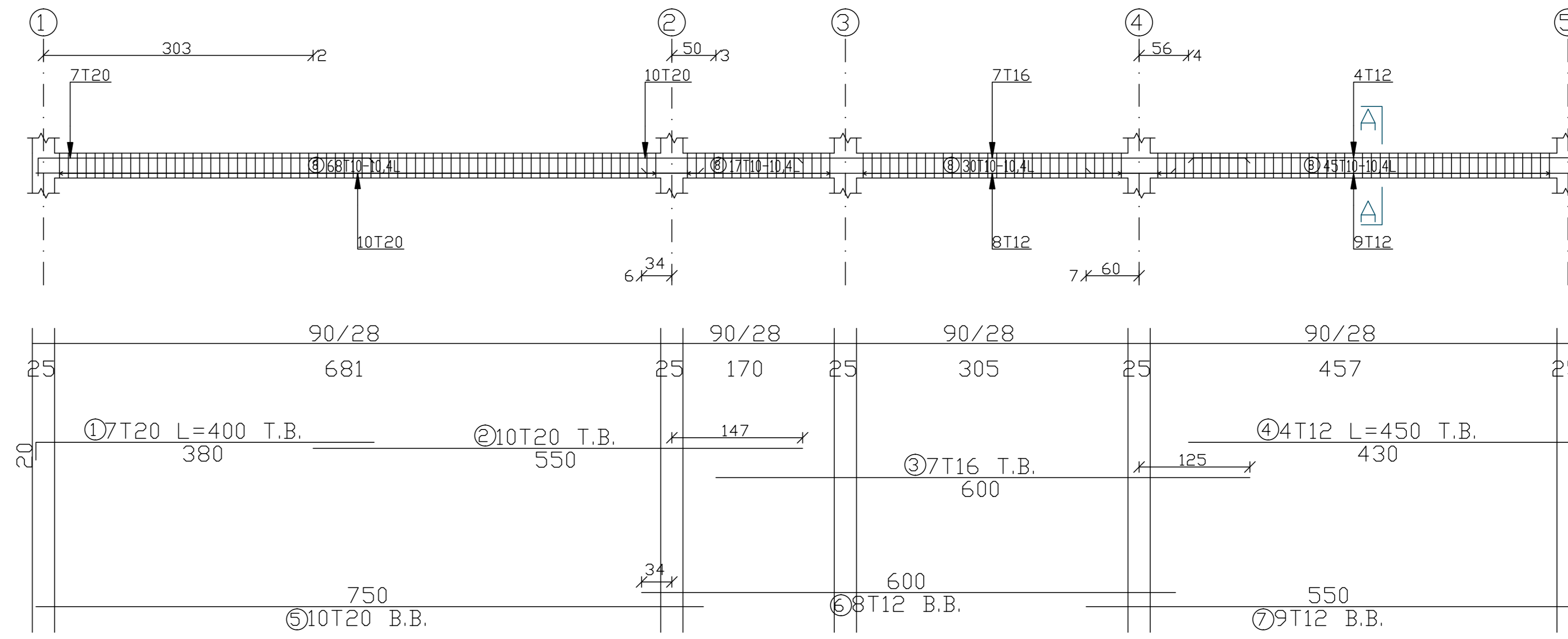
DATE: 23/5/2023

G06(80*28)
Scale 1:50

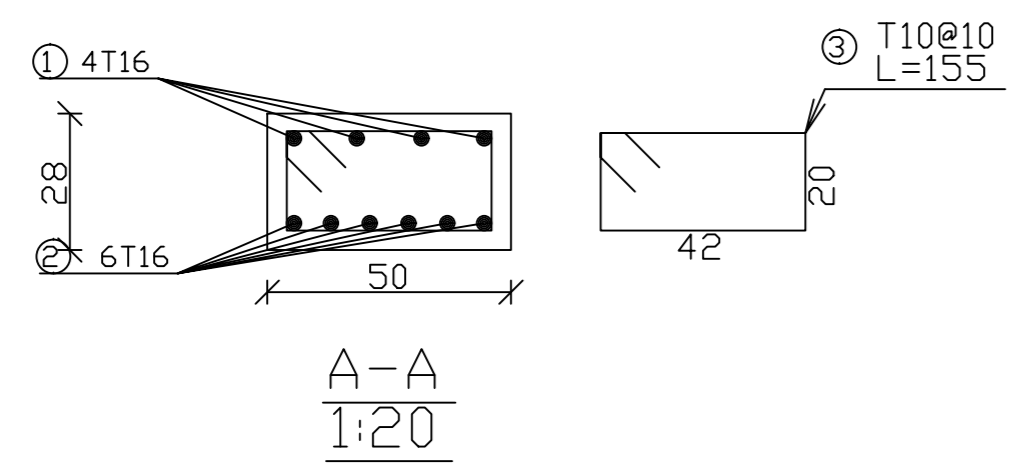
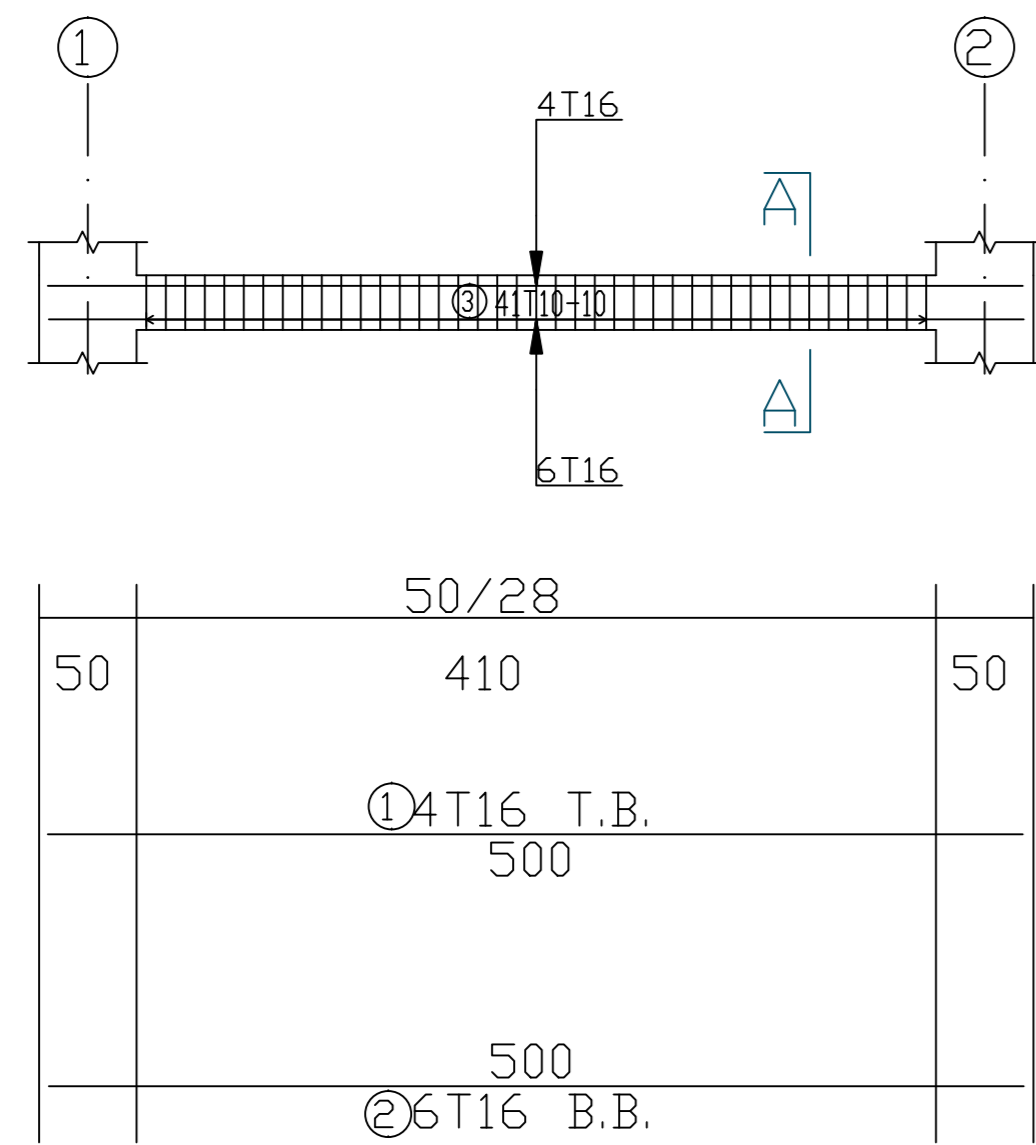
BEAM DETAILS



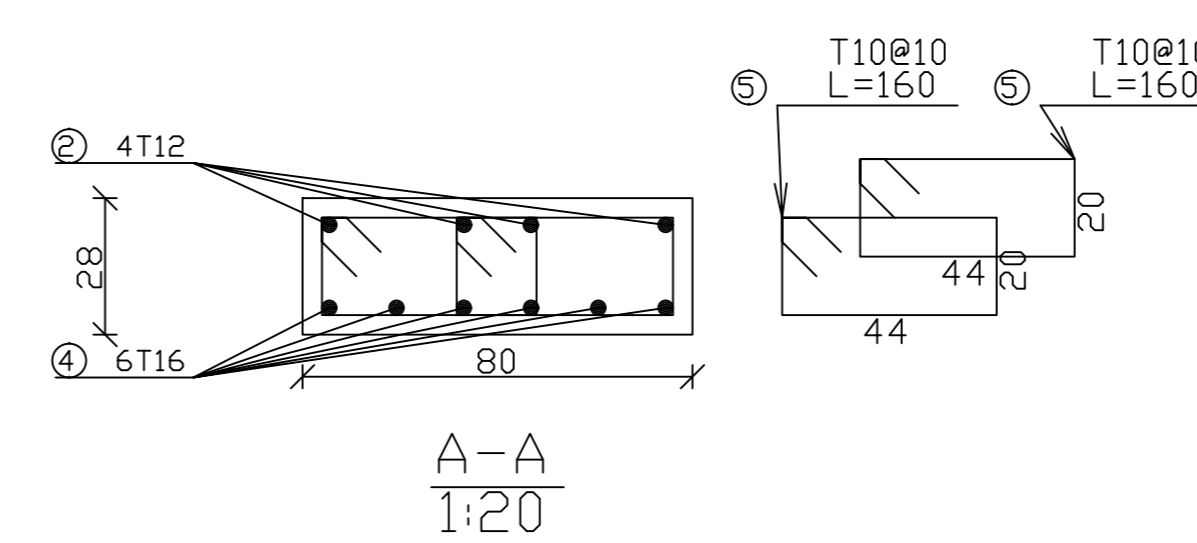
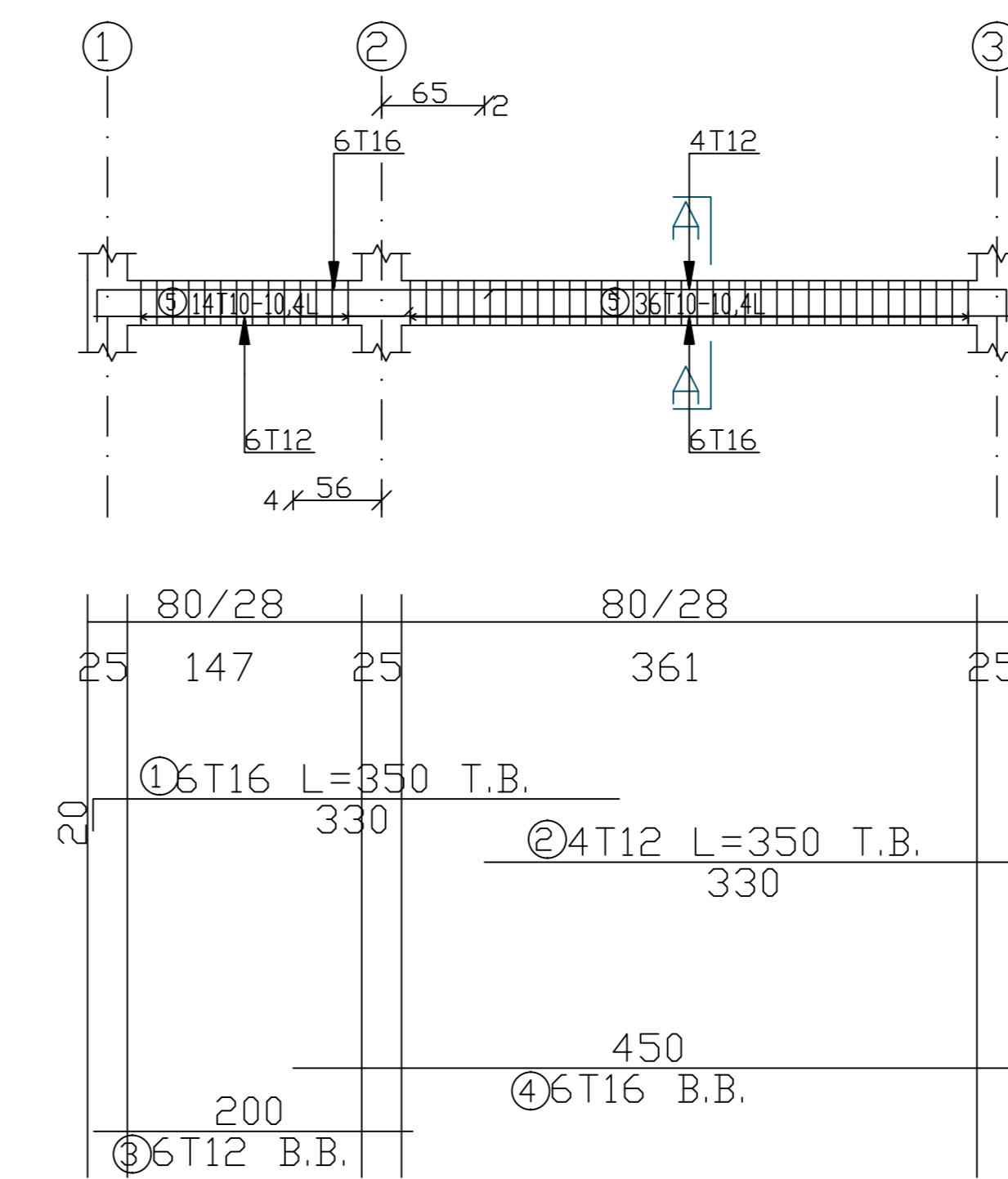
BG05(80*28)
Scale 1:50



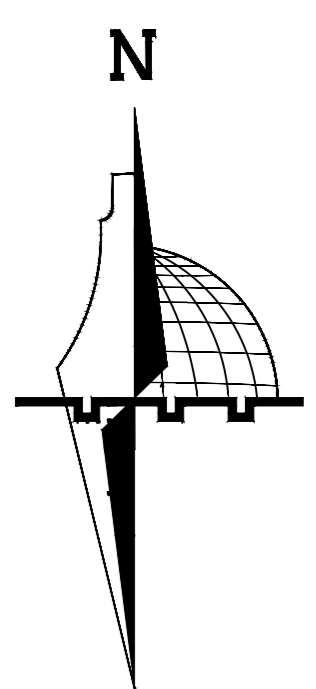
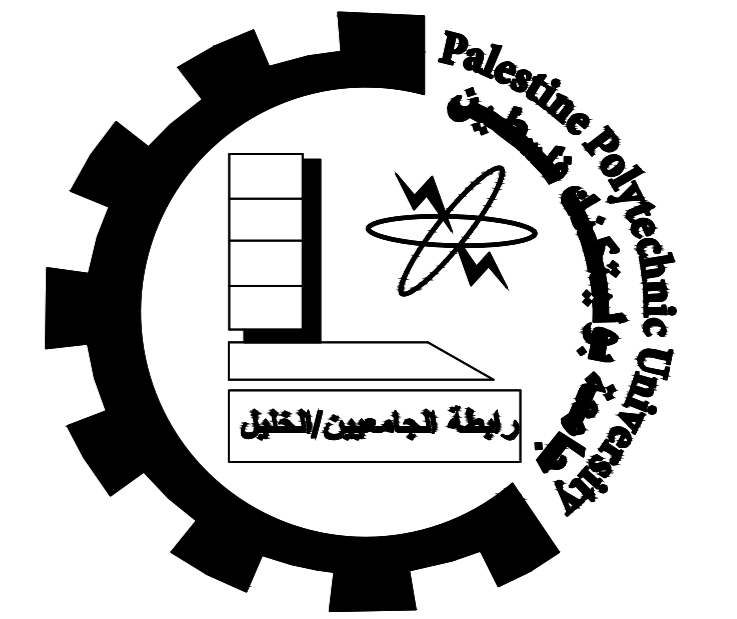
BG07(50*28)
Scale 1:50



G08(80*28)
Scale 1:50



Palestine Polytechnic University



project title :
structural design for a commercial
residential building in the city of Hebron

Done by :
Rinat AL-Abed
Qamar AL-Anatsheh

supervisor:
Eng. Inas shueki

scale:

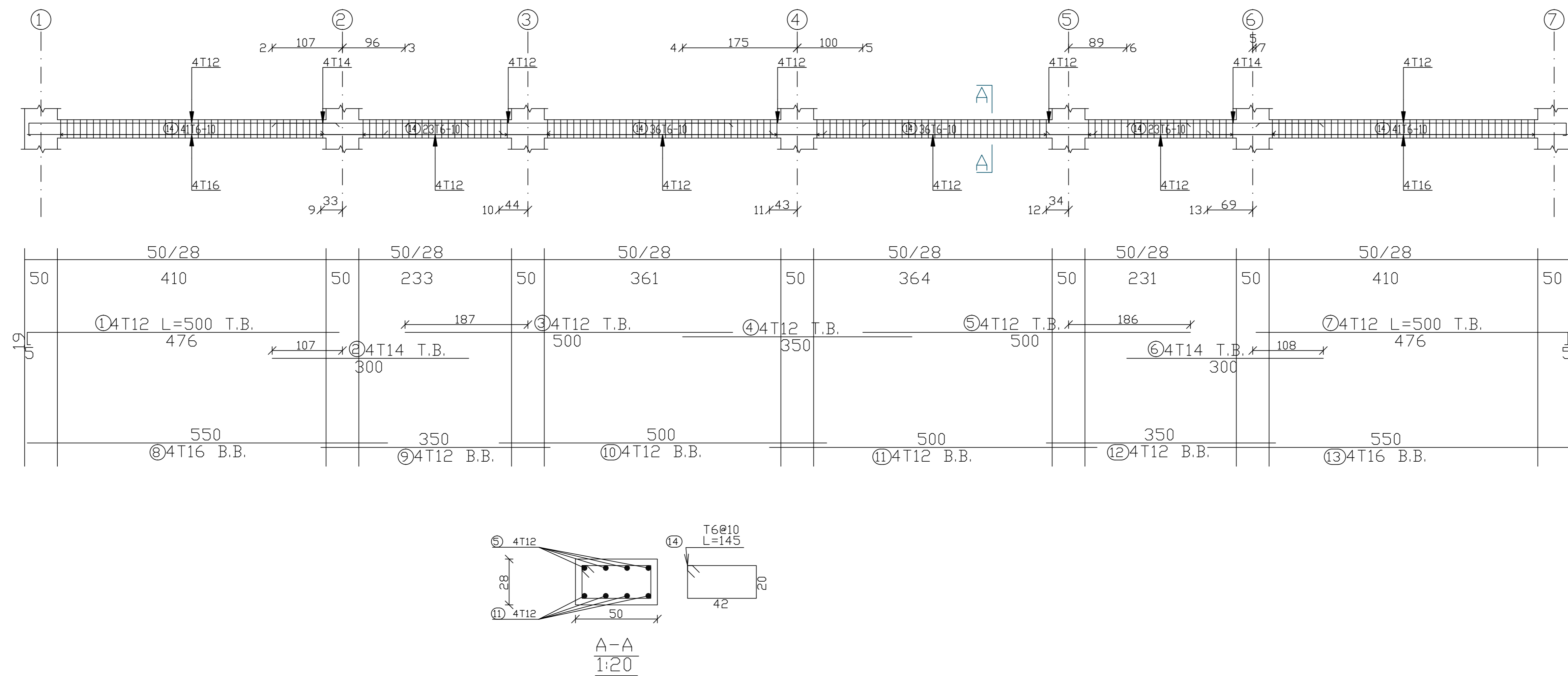
No. of
DRAW

S28

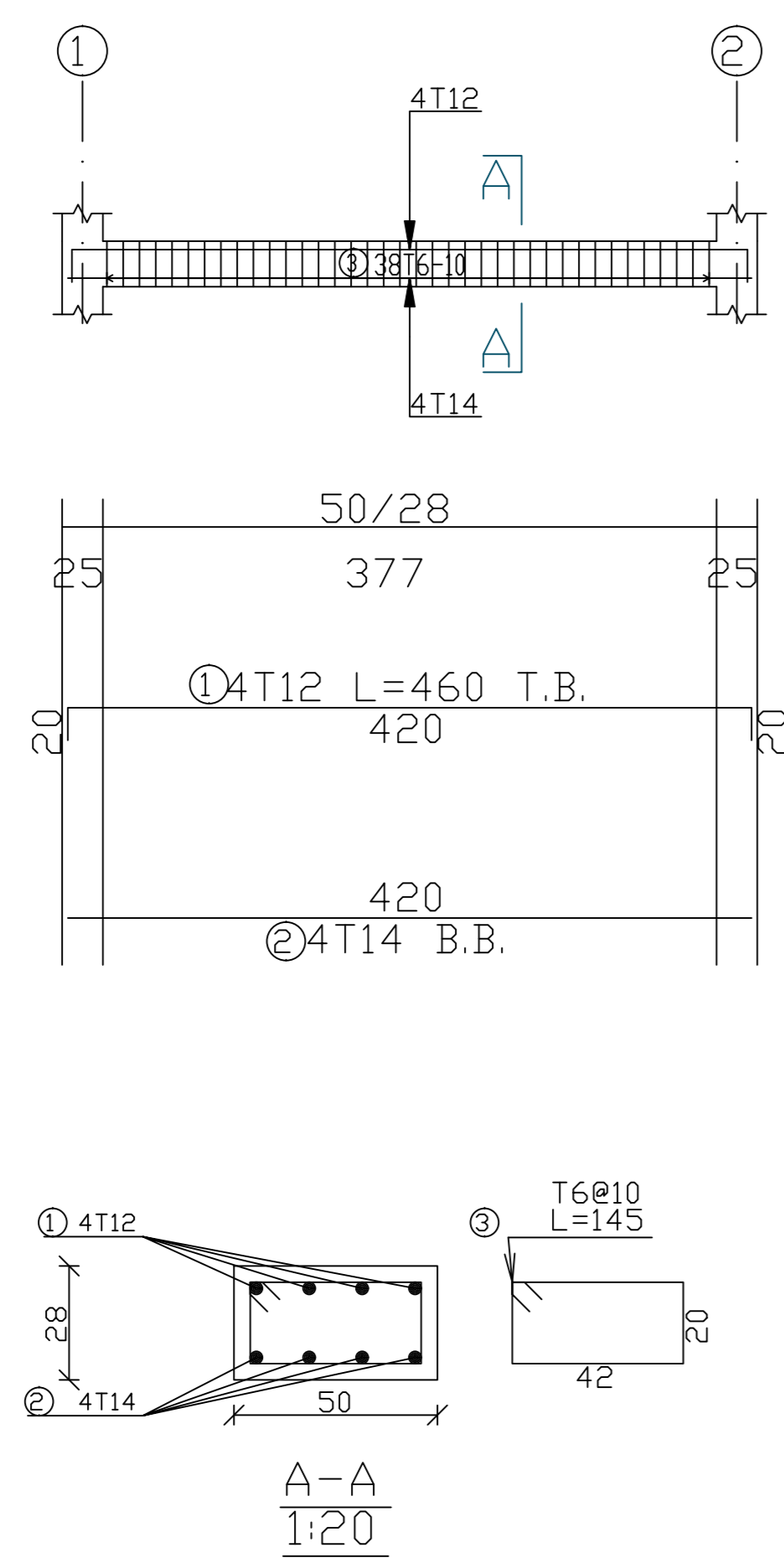
DATE: 23/5/2023

BEAM DETAILS

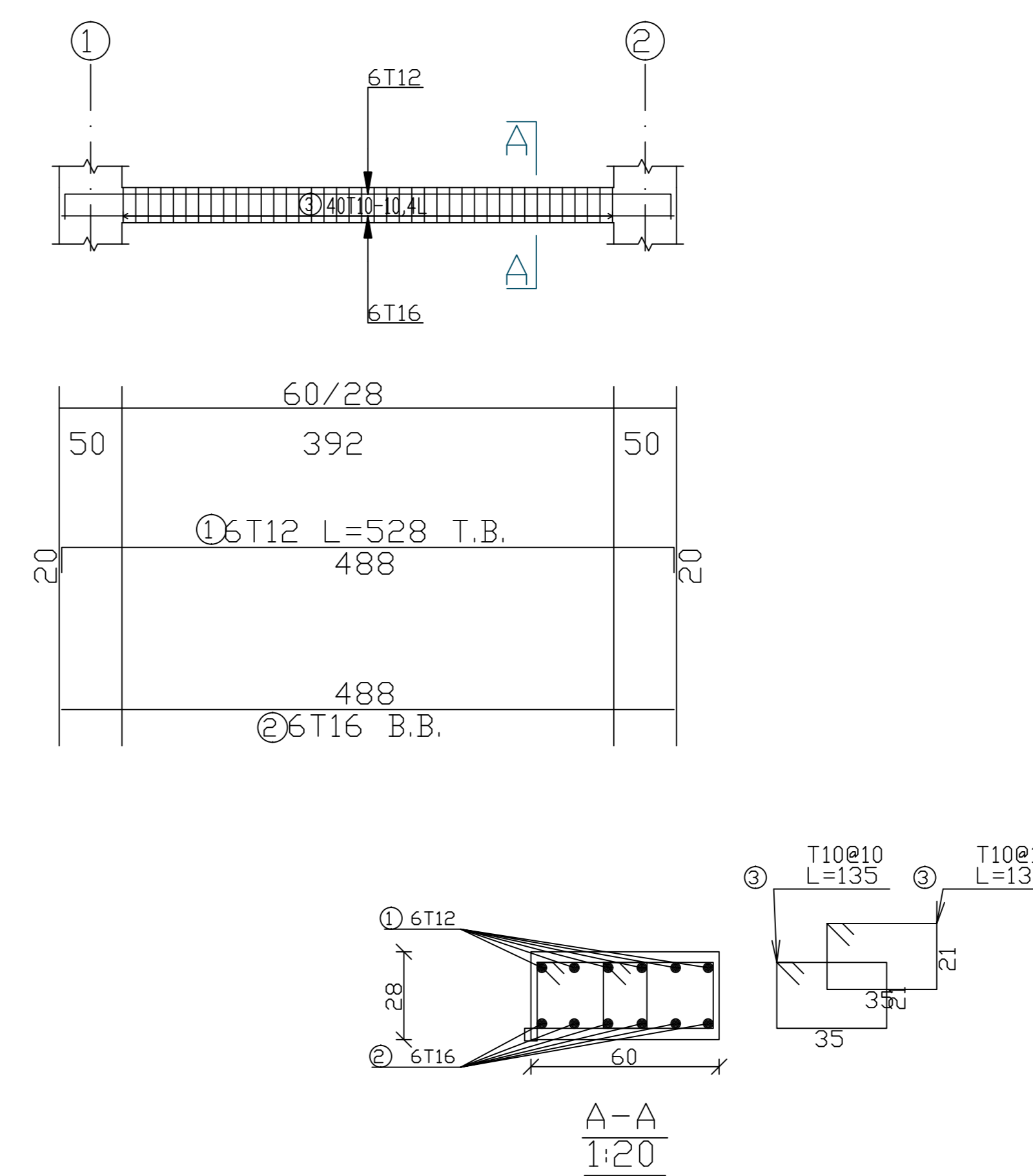
BG09(50*28)
Scale 1:50



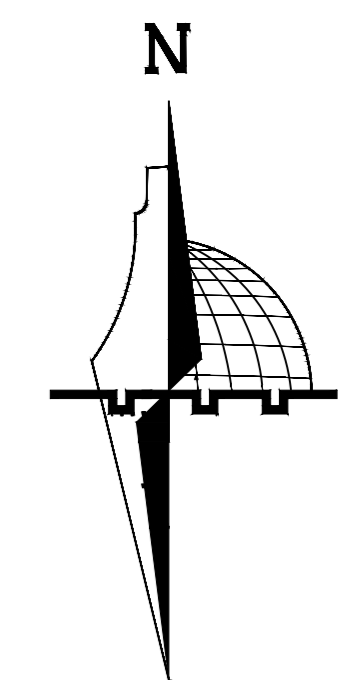
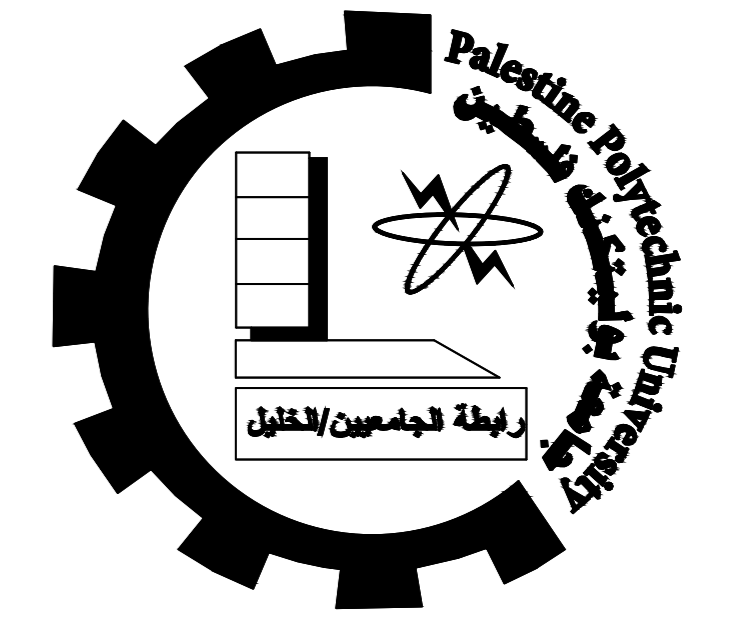
BG10(50*28)
Scale 1:50



BG11(80*28)
Scale 1:50



Palestine Polytechnic University



project title :
structural design for a commercial
residential building in the city of Hebron

Done by :
Rinad Al-Abed
Qamar Al-Anatsheh

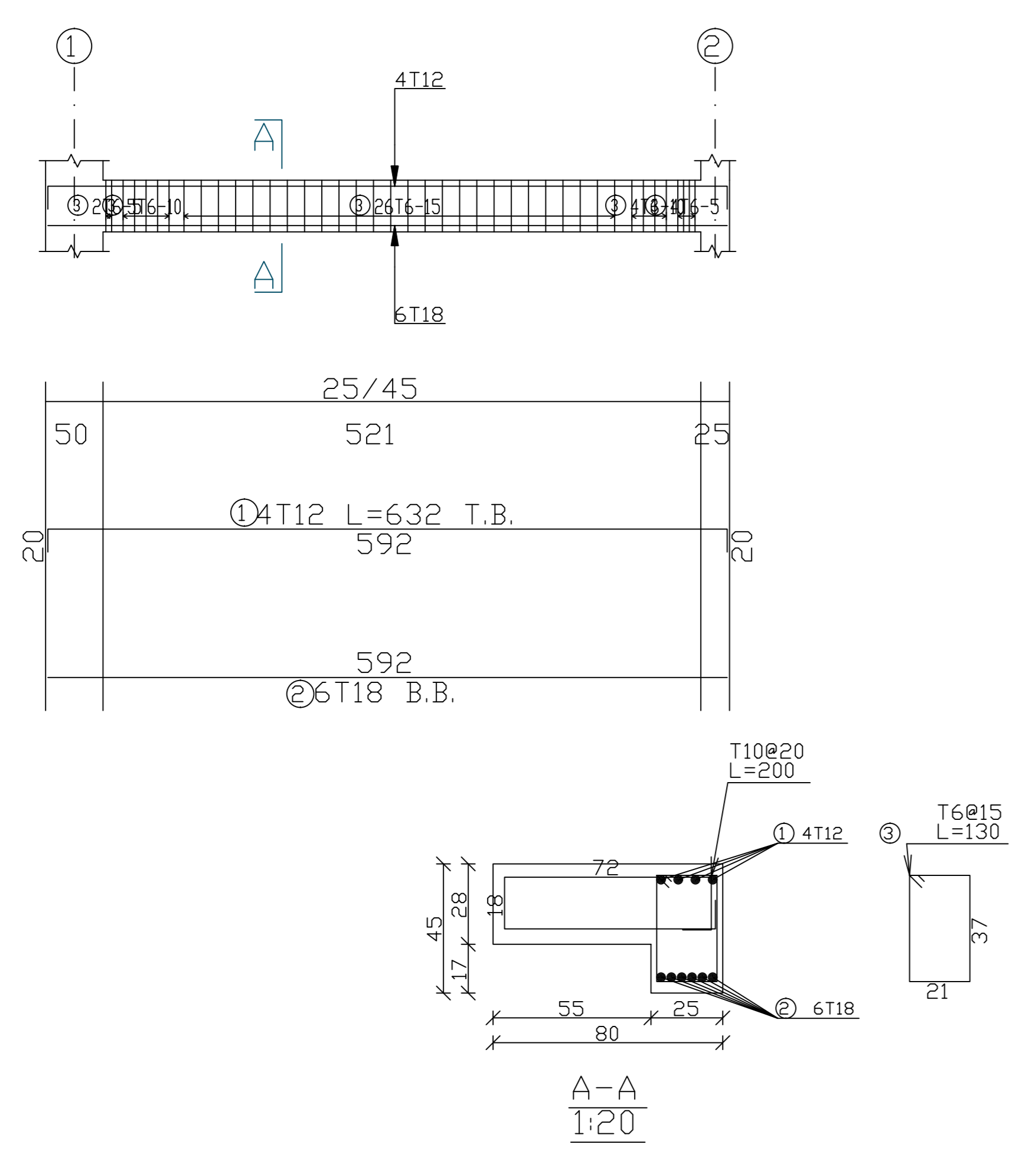
supervisor:
Eng. Inas shaweki

scale:
No. of DRAW **S29**

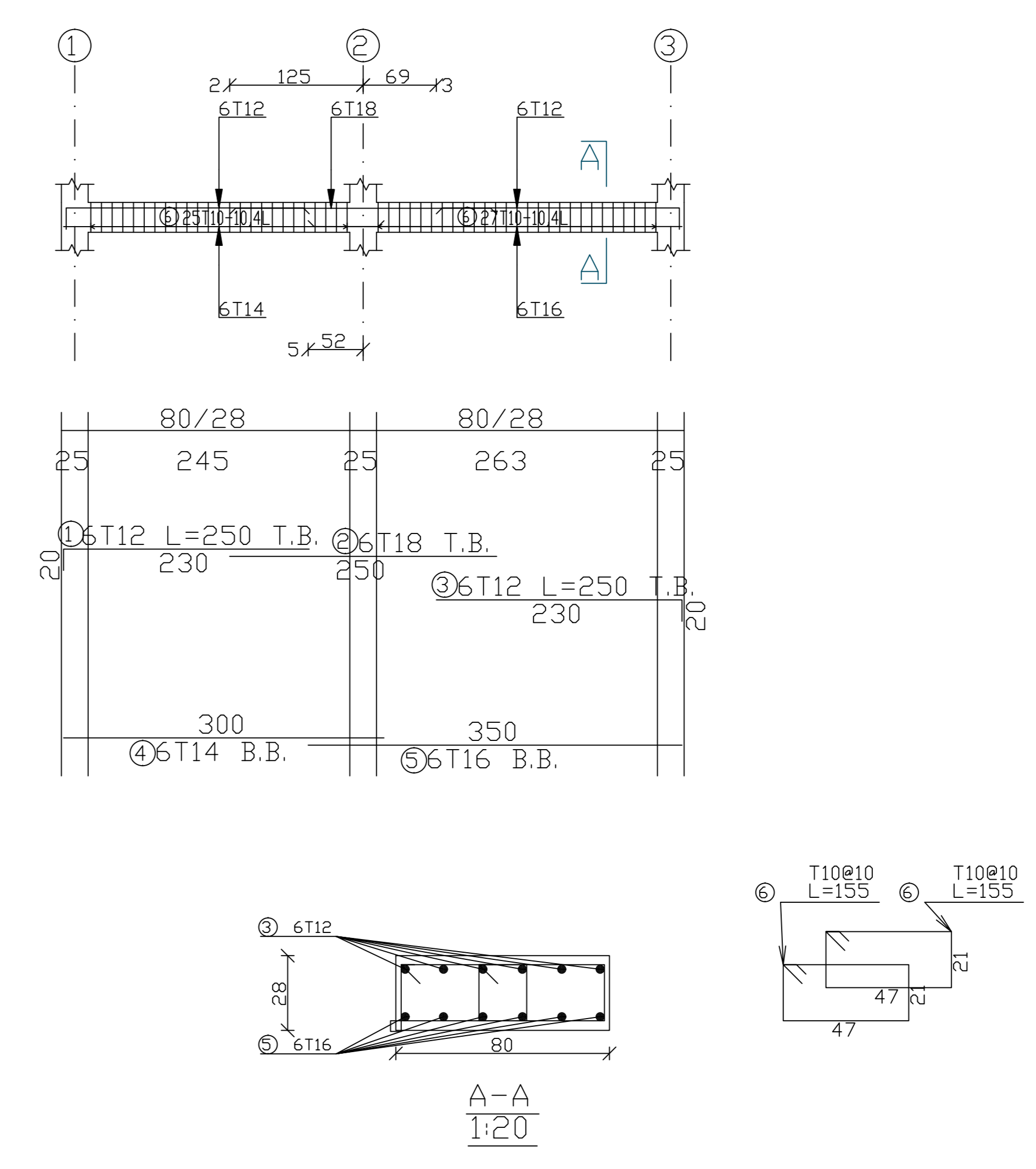
DATE: 23/5/2023

BEAM DETAILS

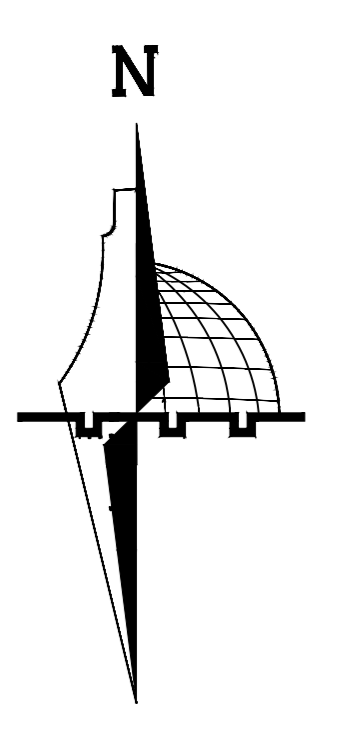
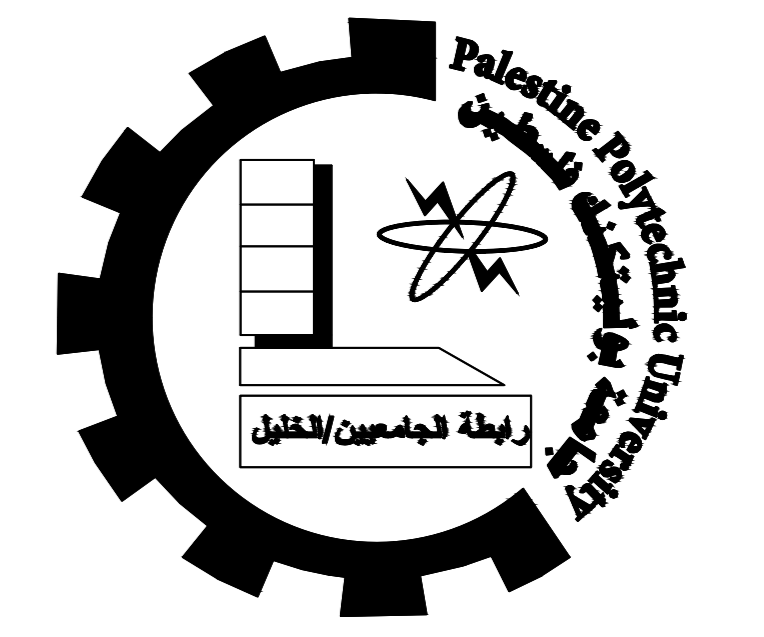
B21(80*28)
Scale 1:50



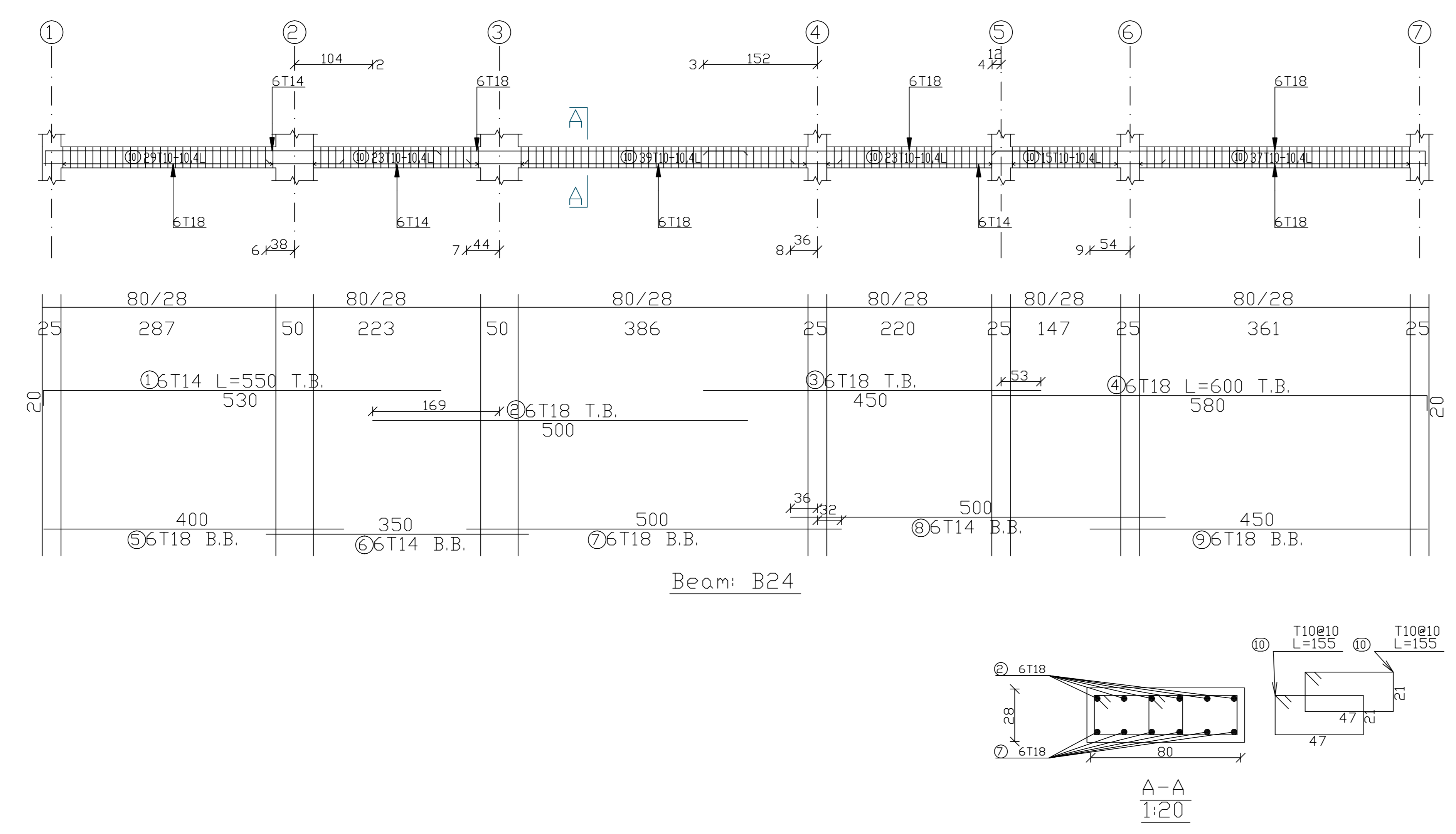
B22(80*28)
Scale 1:50



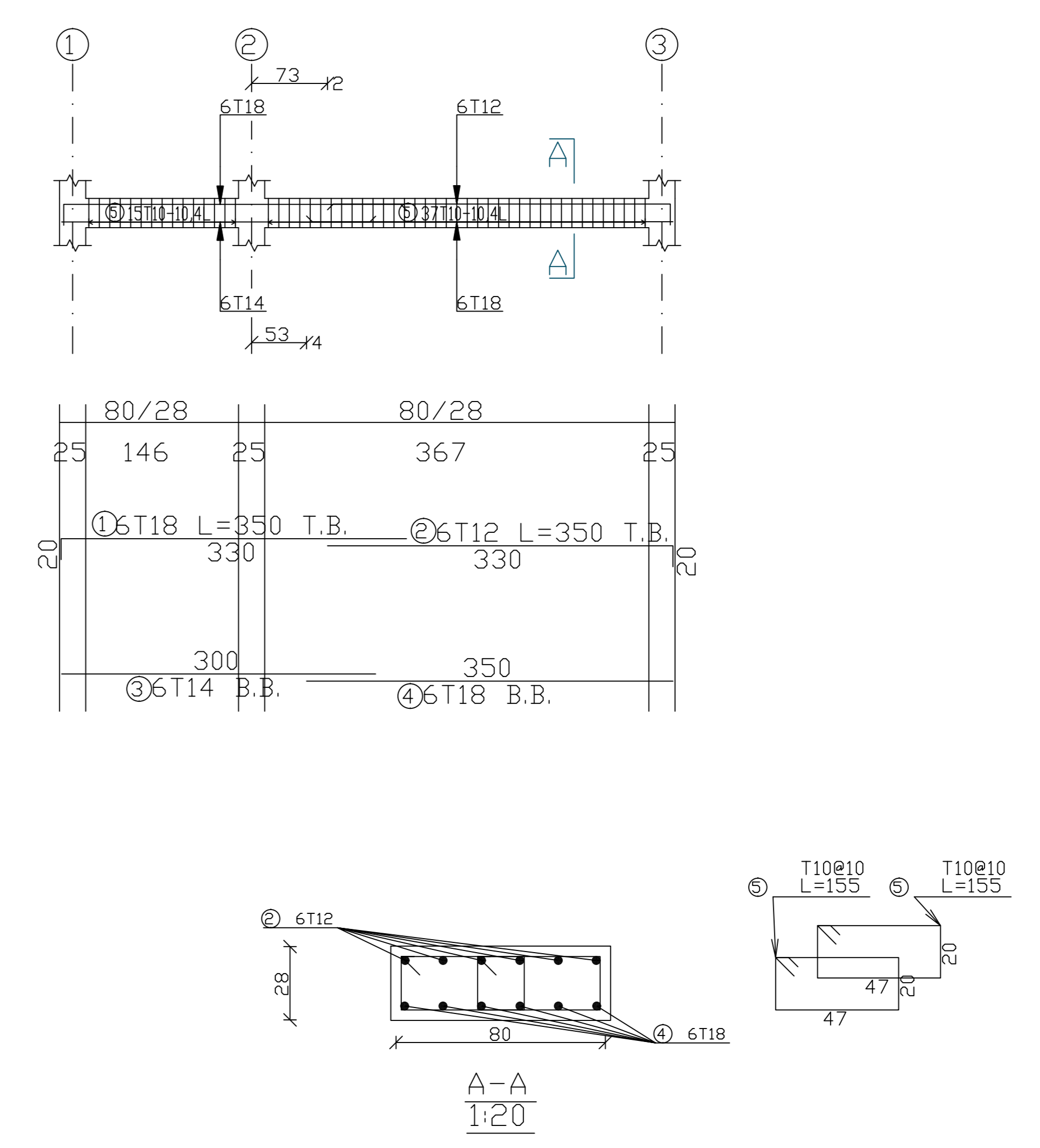
Palestine Polytechnic University



B24(80*28)
Scale 1:50



B23(80*28)
Scale 1:50



project title :
structural design for a commercial
residential building in the city of Hebron

Done by :
Rinad AL-Abed
Qamar AL-Anatsheh

supervisor:
Eng. Inas shweki

scale:

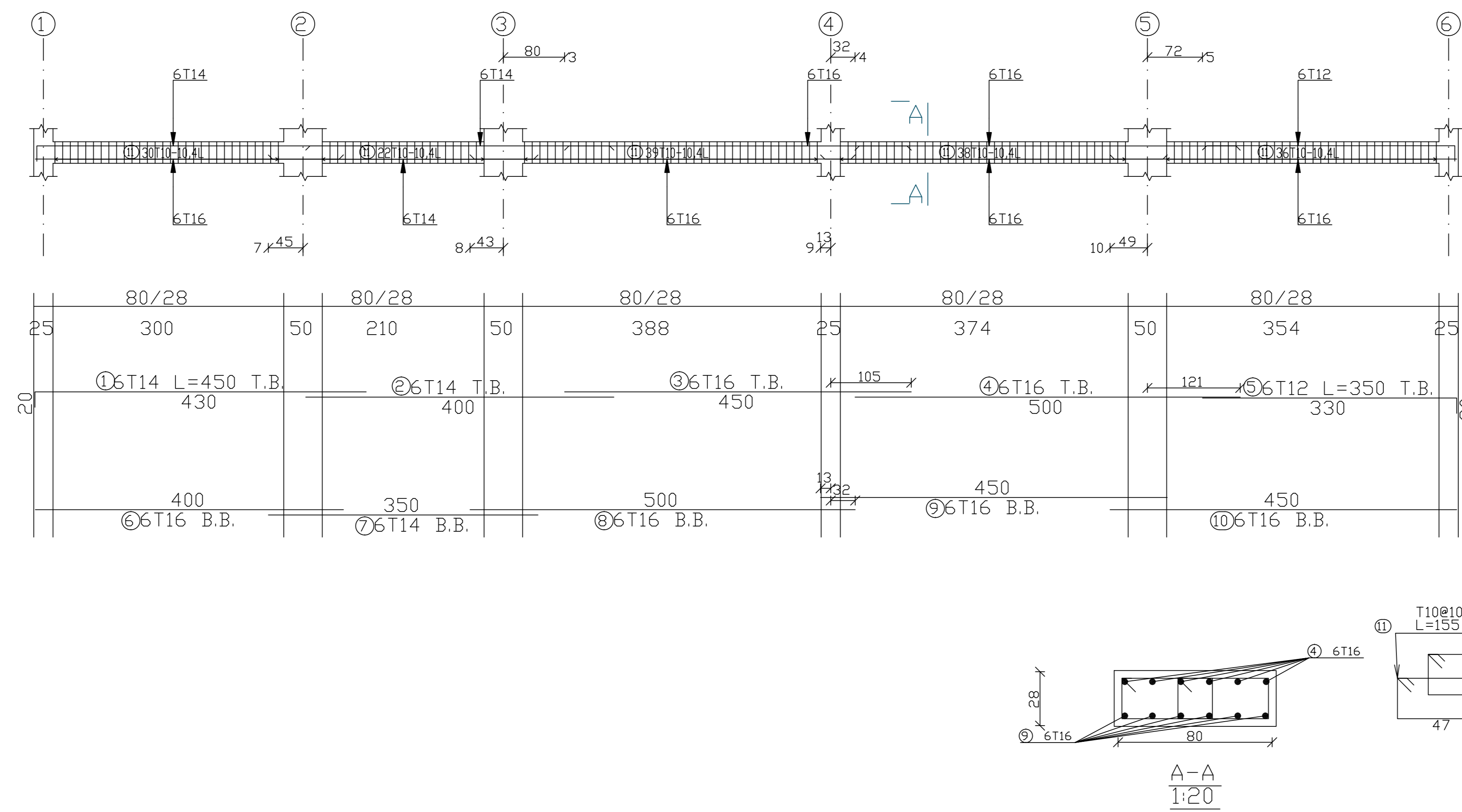
No. of
DRAW

S30

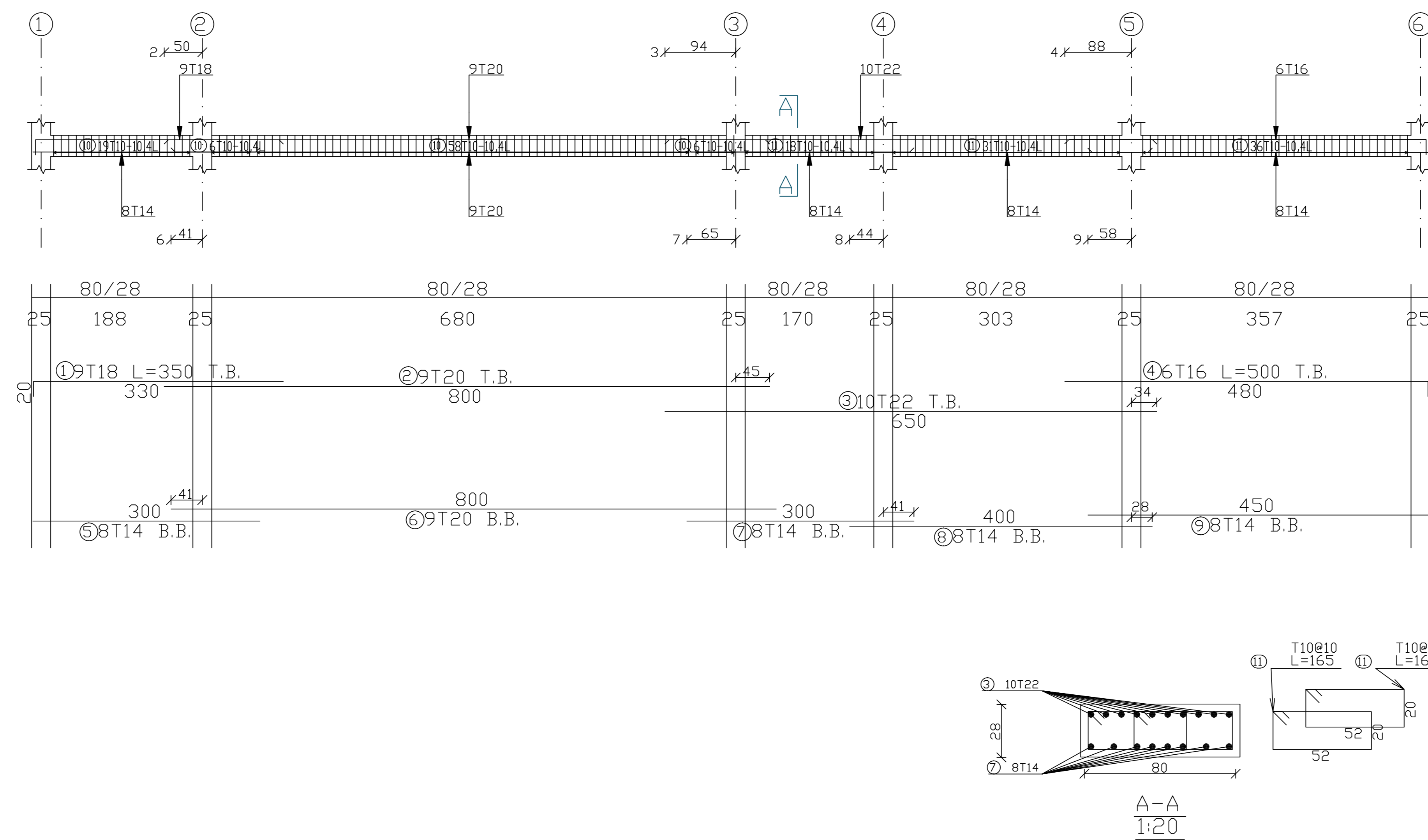
DATE: 23/5/2023

BEAM DETAILS

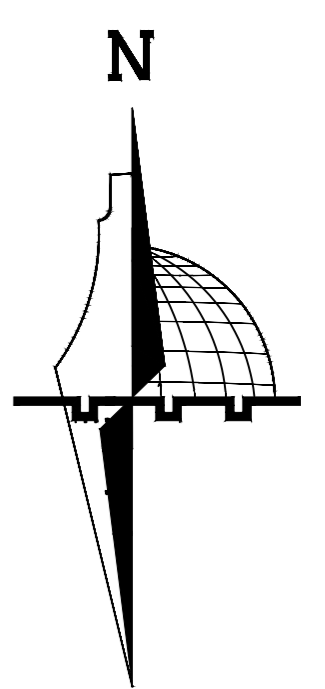
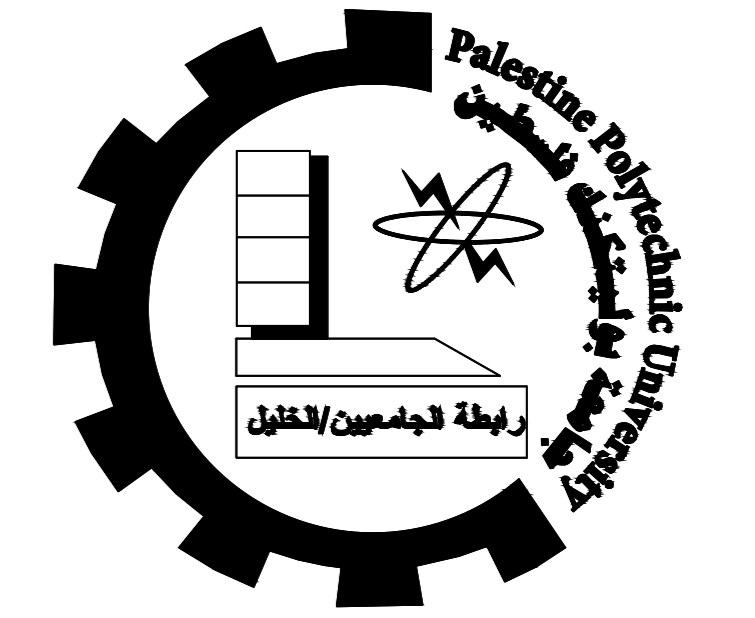
B25(80*28)
Scale 1:50



B26(80*28)
Scale 1:50



Palestine Polytechnic University



project title :

structural design for a commercial residential building in the city of Hebron

Done by :

Rinad Al-Abed
Qamar Al-Anatsheh

supervisor:

Eng. Inas shaweki

scale:

No. of DRAW

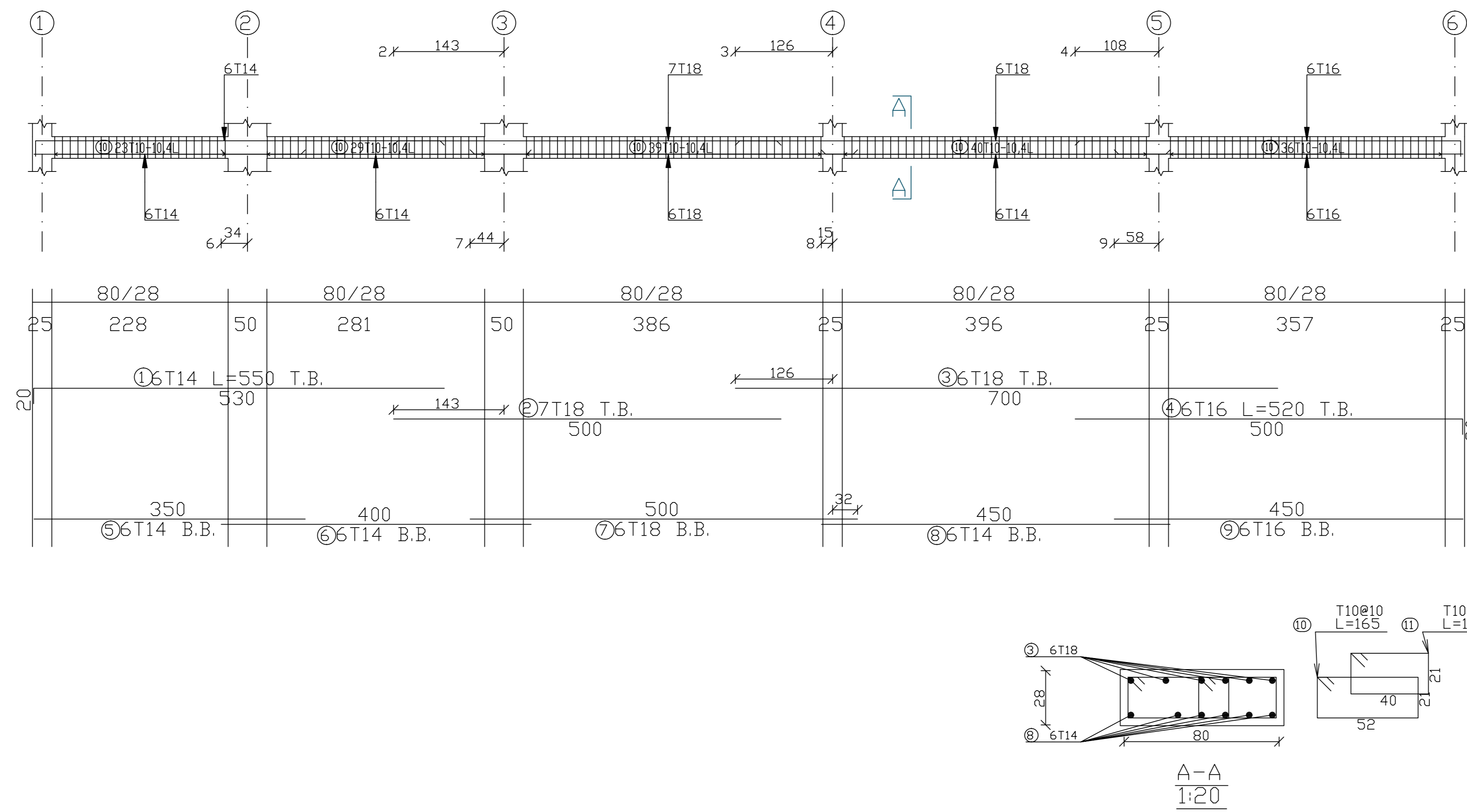
S31

DATE:

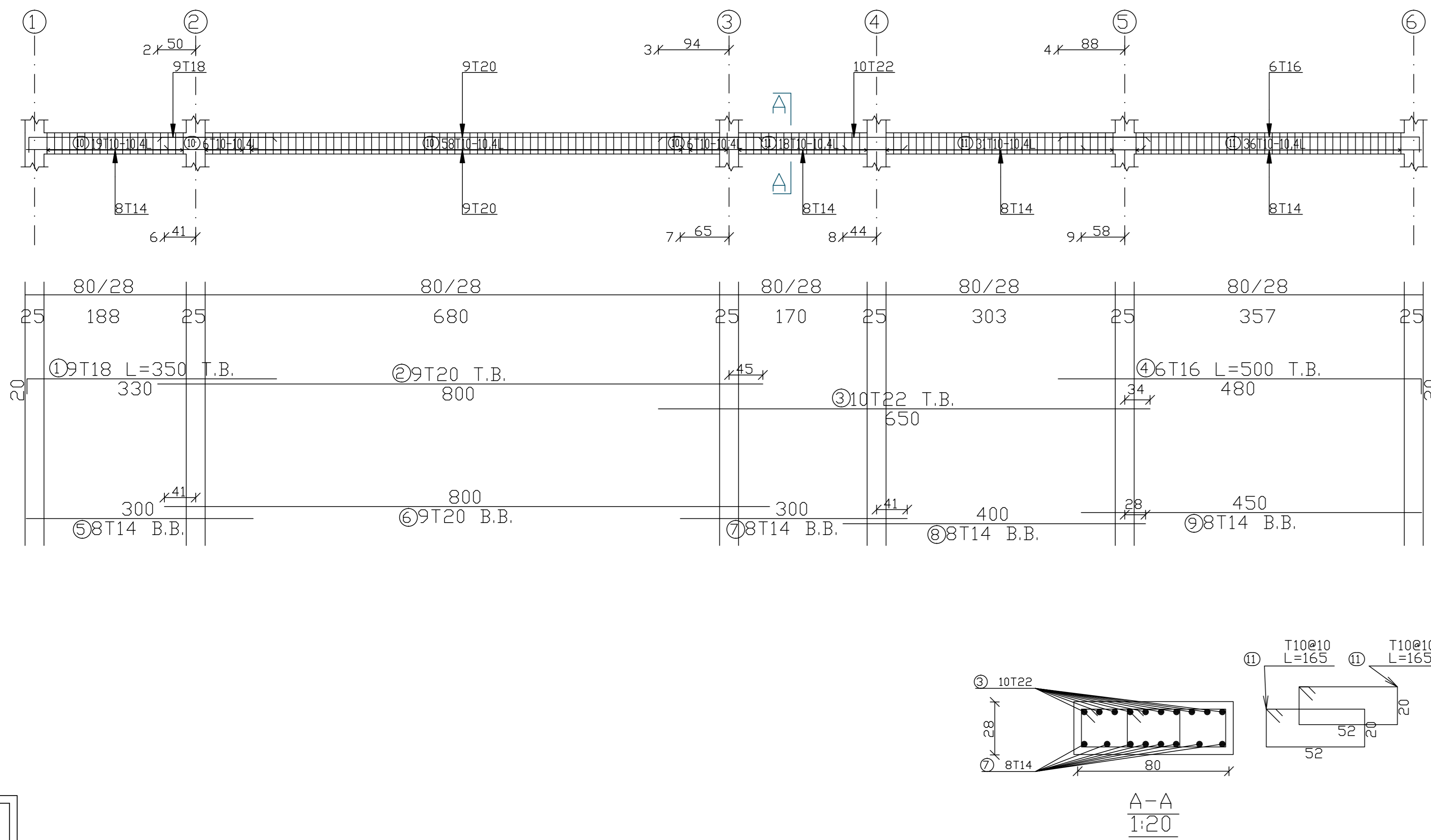
23/5/2023

BEAM DETAILS

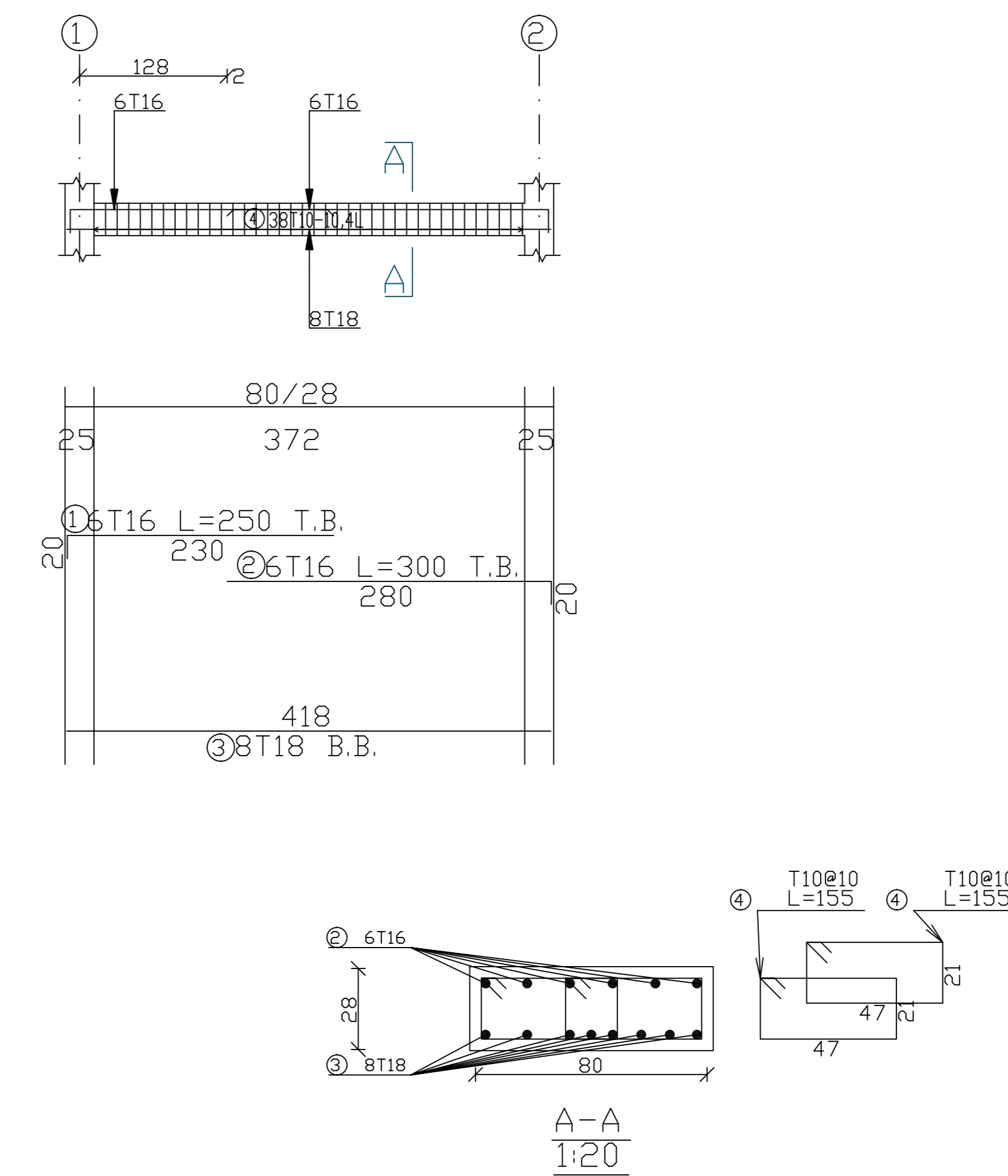
B29(80*28)
Scale 1:50



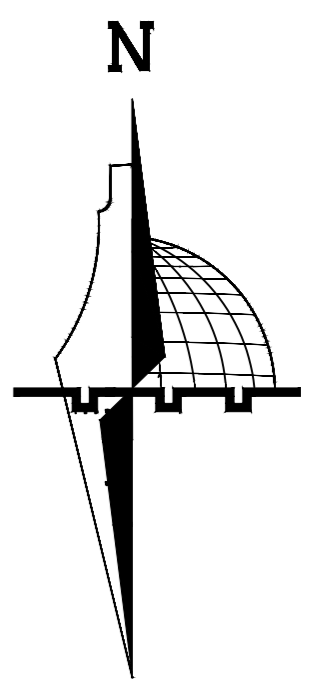
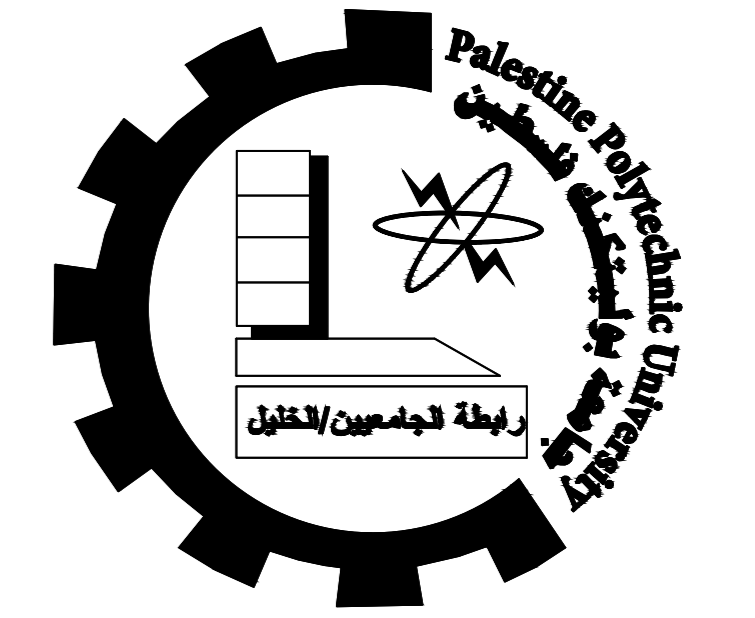
B28(80*28)
Scale 1:50



B27(80*28)
Scale 1:50



Palestine Polytechnic University



project title :

structural design for a commercial residential building in the city of Hebron

Done by :

Rinad Al-Abed
Qamar Al-Anatsheh

supervisor:
Eng. Inas shaweki

scale:

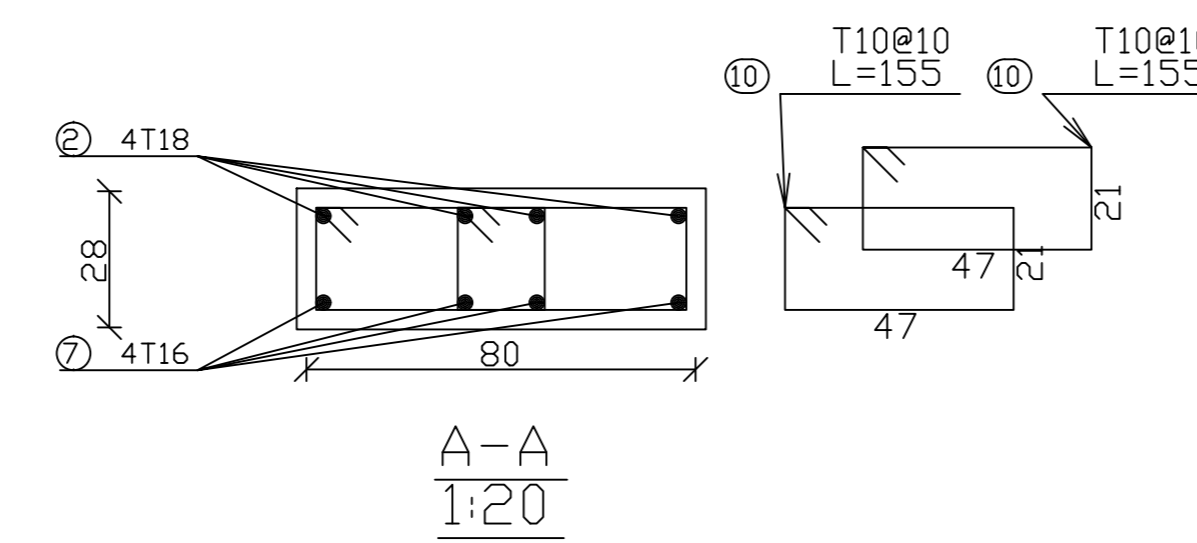
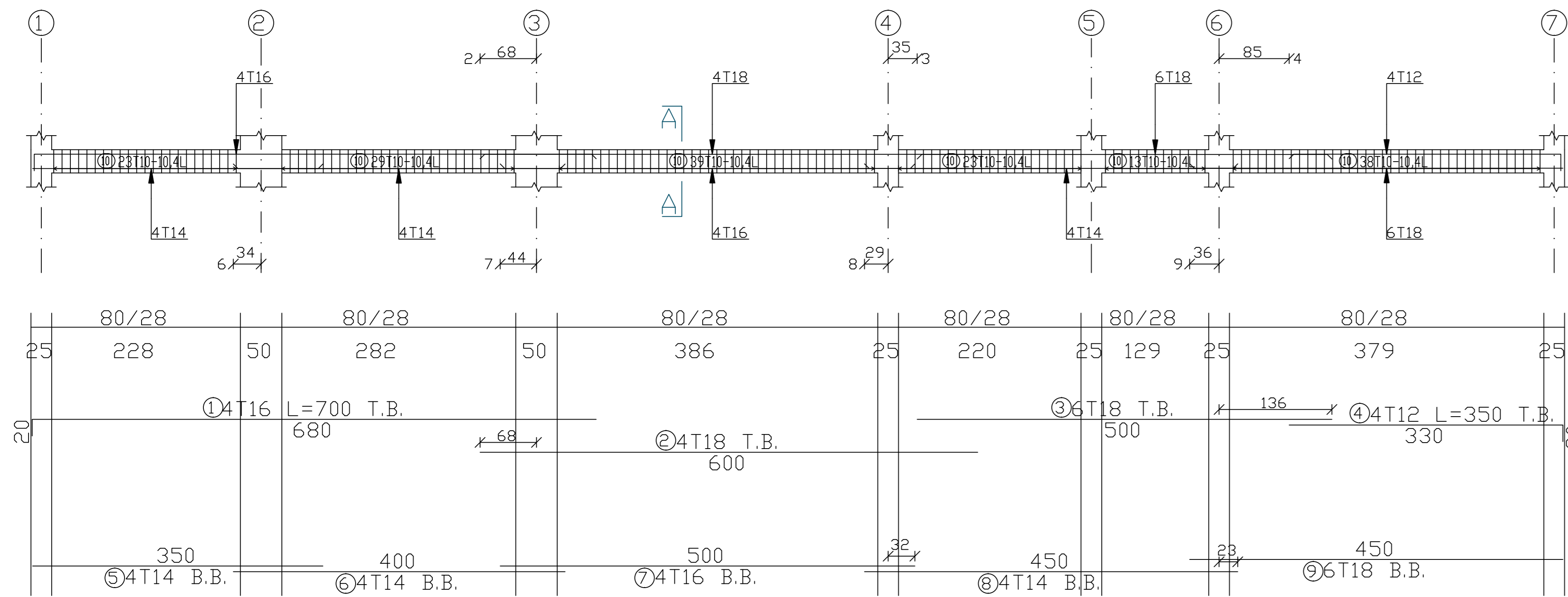
No. of
DRAW

S32

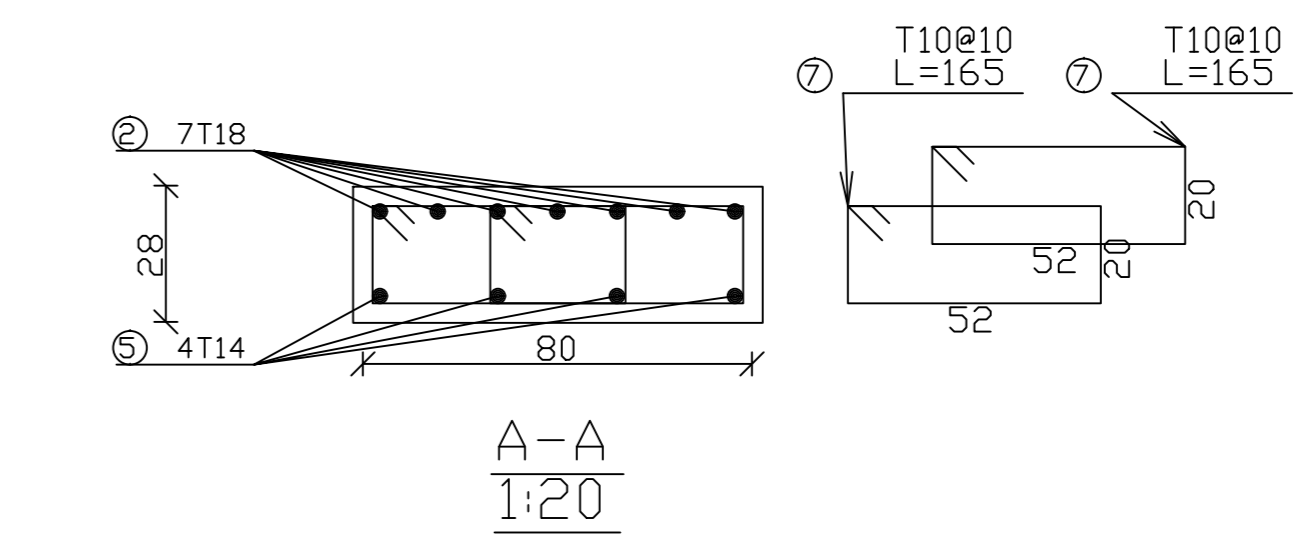
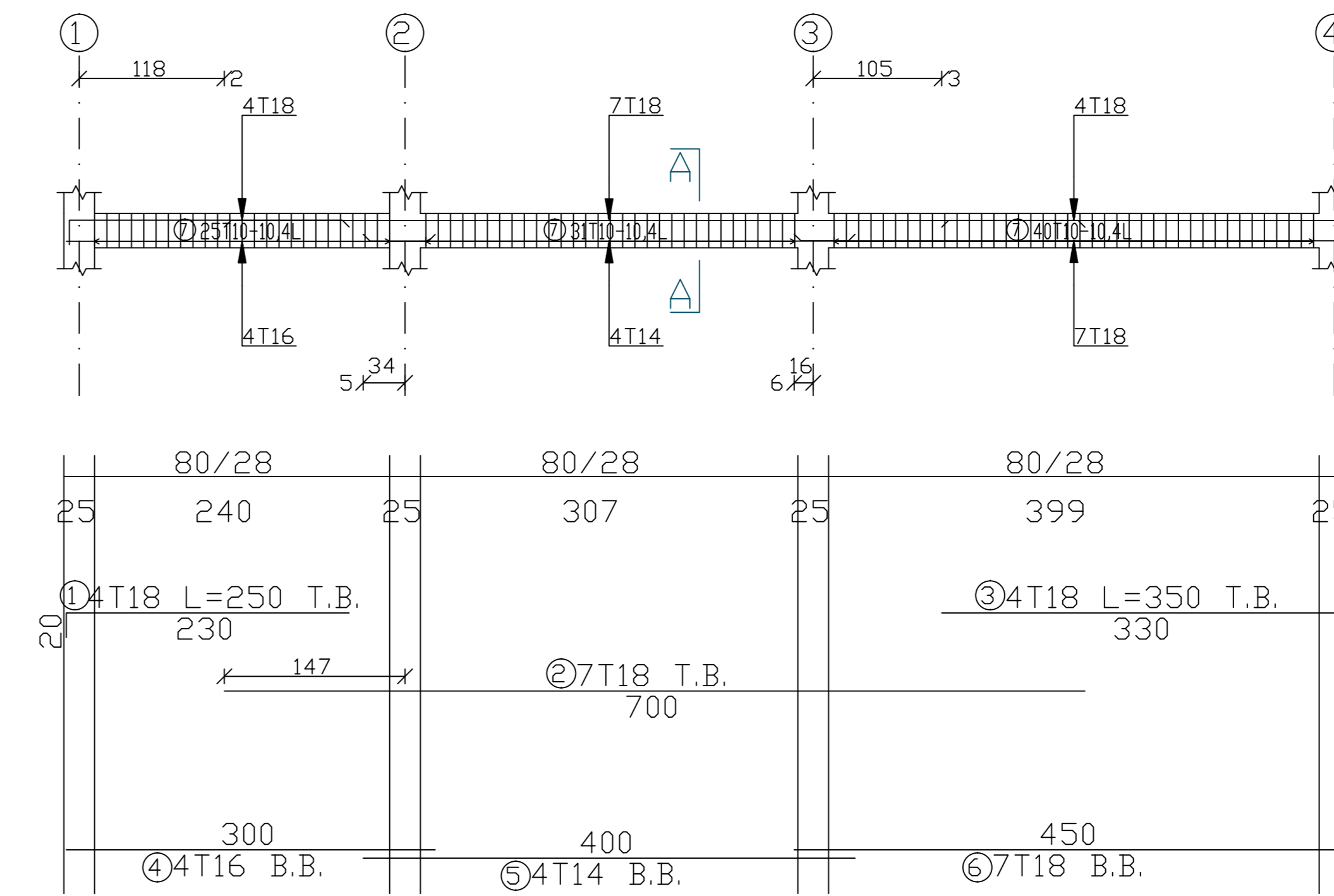
DATE: 23/5/2023

B30(80*28)
Scale 1:50

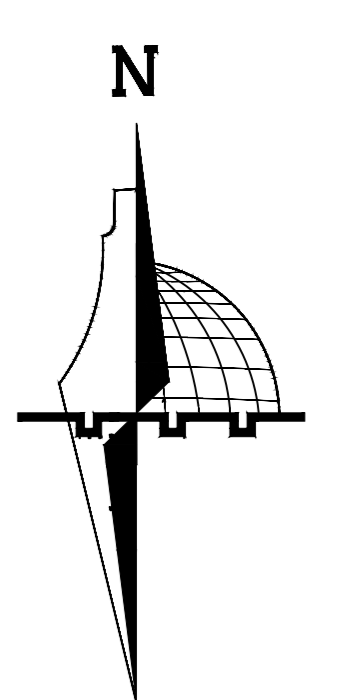
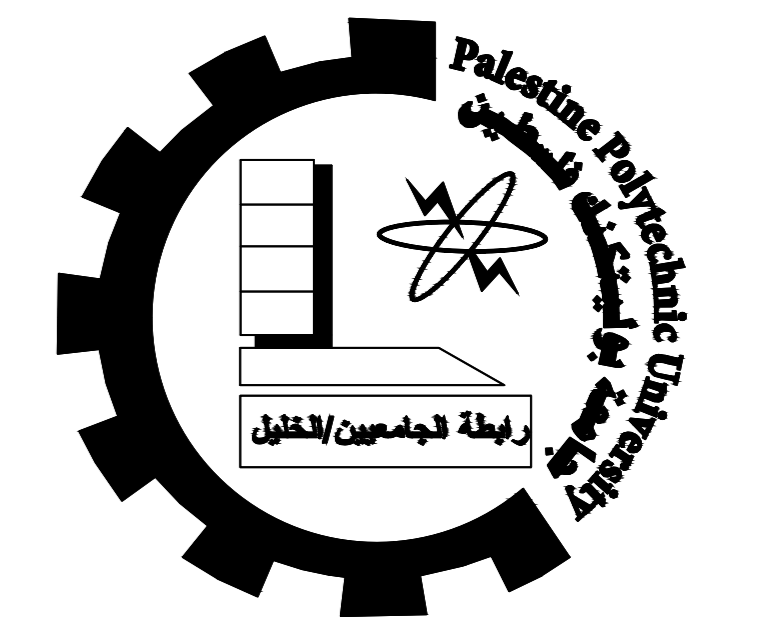
BEAM DETAILS



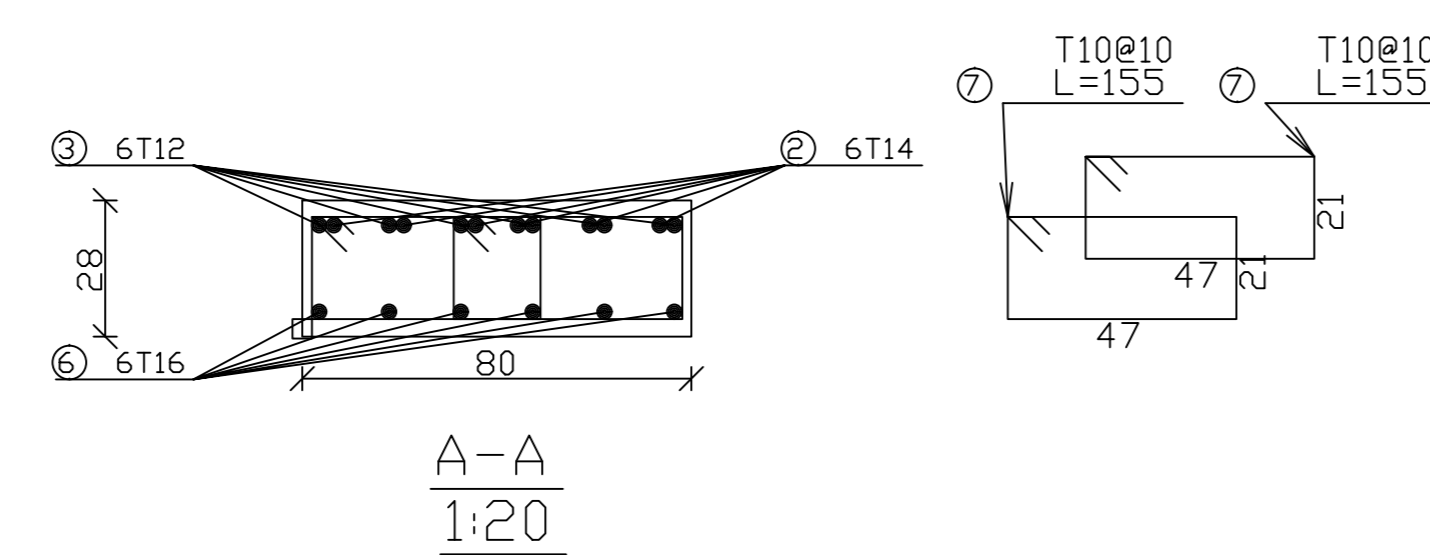
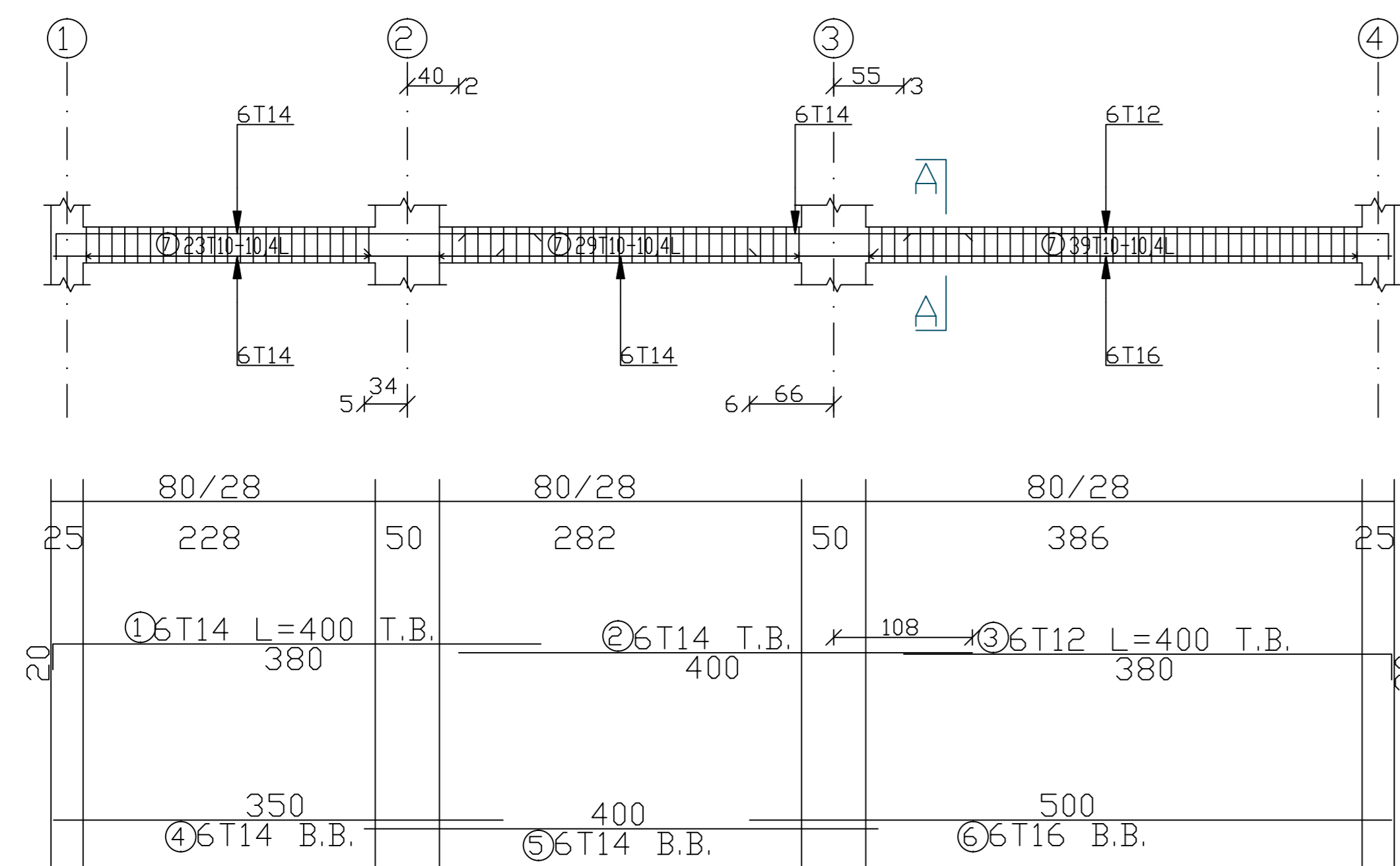
B31(80*28)
Scale 1:50



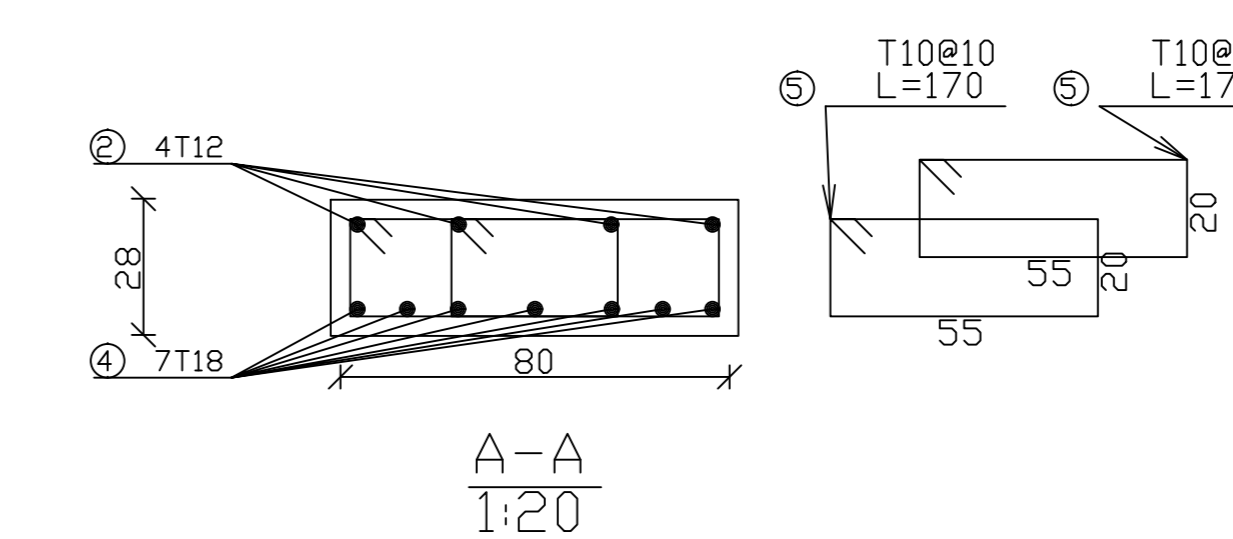
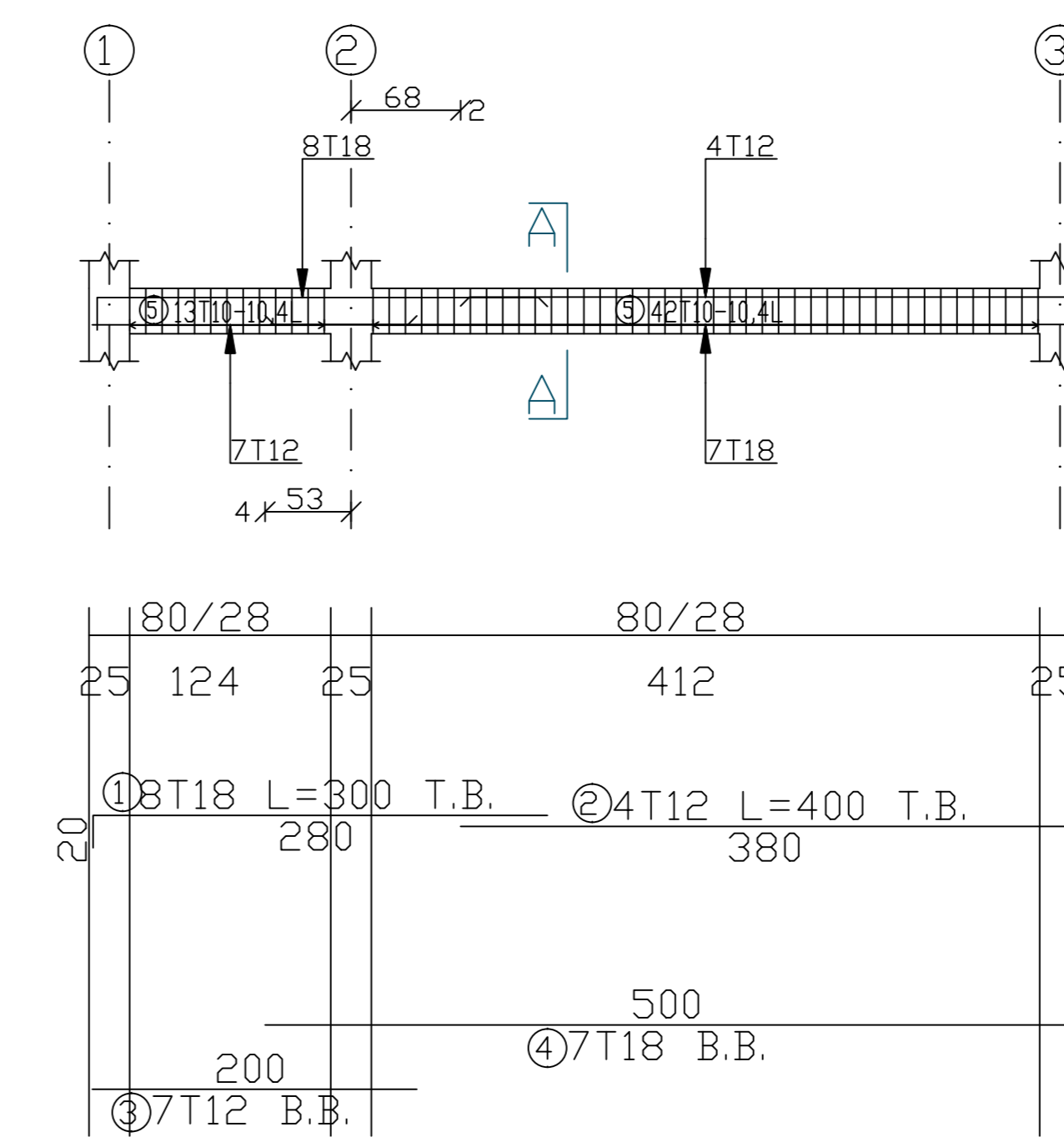
Palestine Polytechnic University



B32(80*28)
Scale 1:50



B33(80*28)
Scale 1:50



project title :
structural design for a commercial
residential building in the city of Hebron

Done by :
Rinad AL-Abed
Qamar AL-Anatsheh

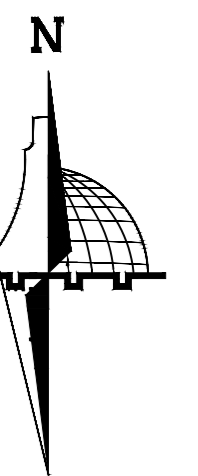
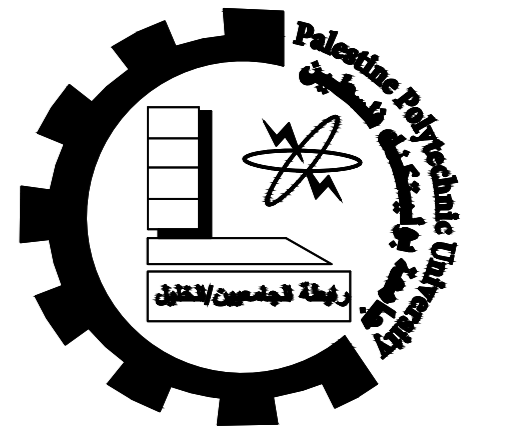
supervisor:
Eng. Inas shweki

scale:
No. of
DRAW **S33**

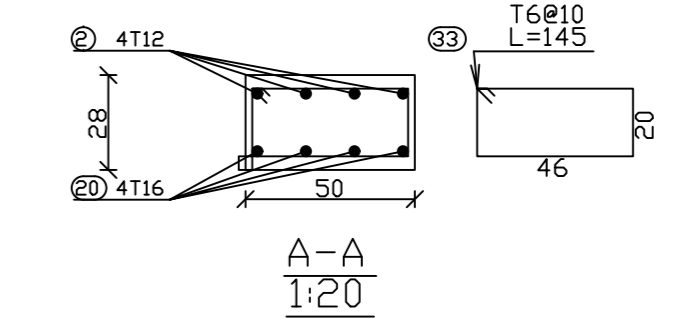
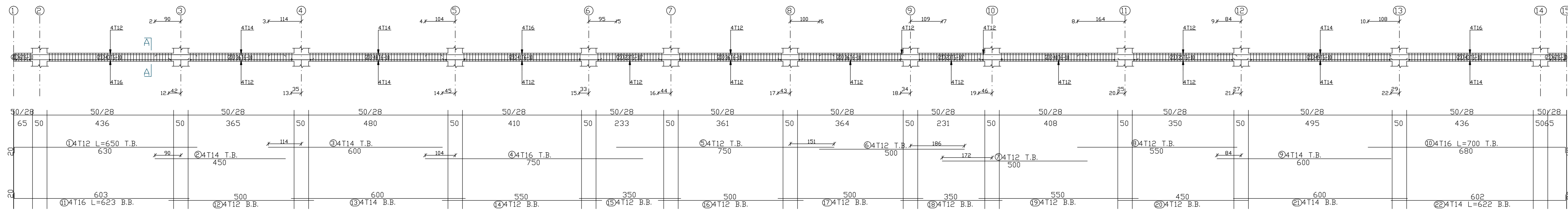
DATE: 23/5/2023

BEAM DETAILS

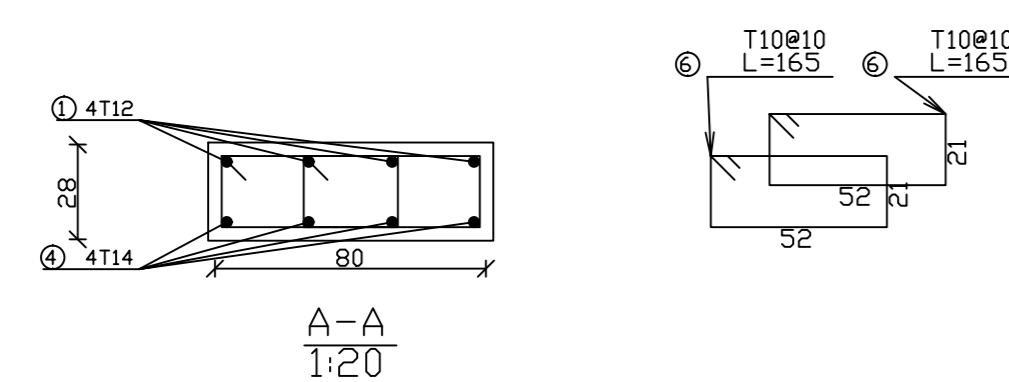
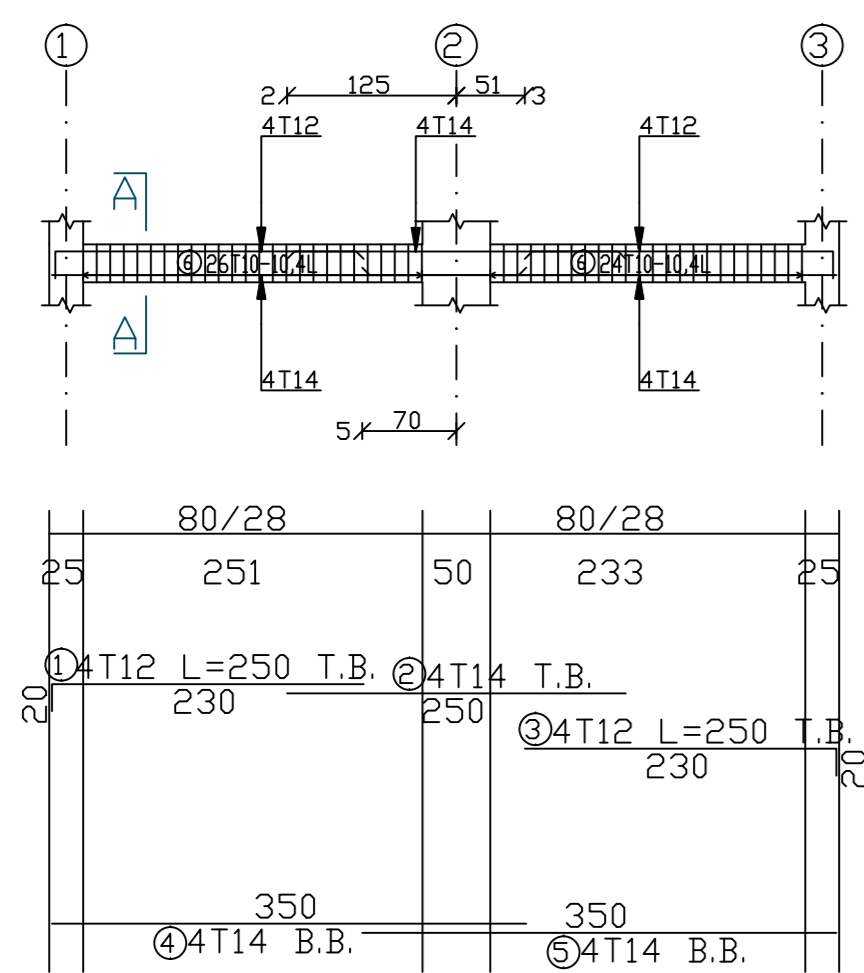
Palestine Polytechnic University



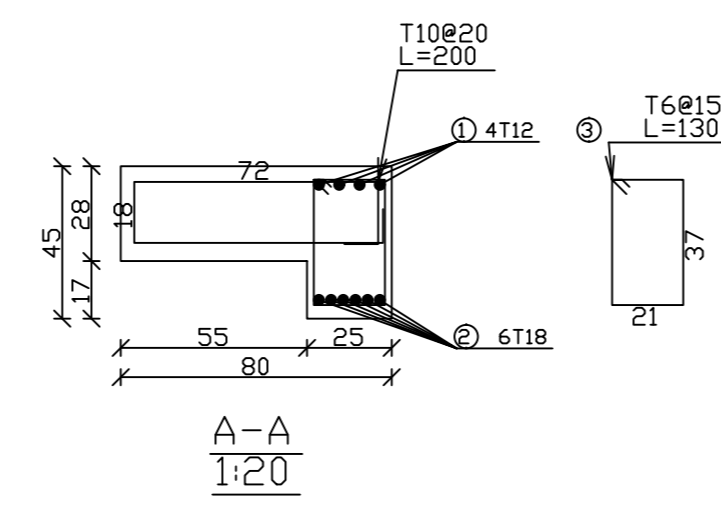
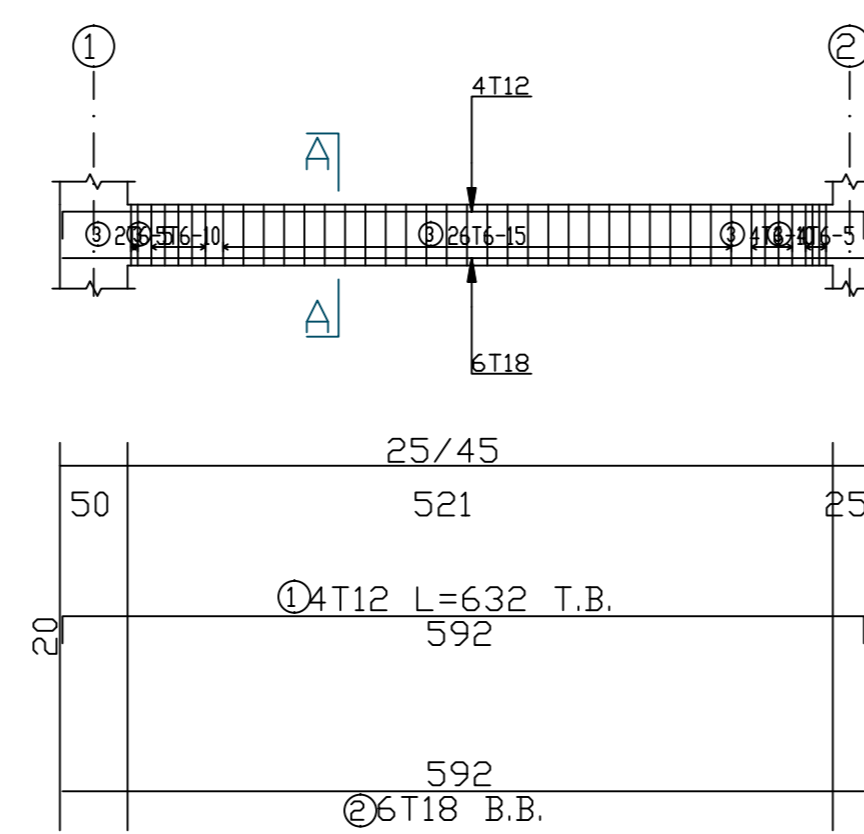
B36(50*28)
Scale 1:50



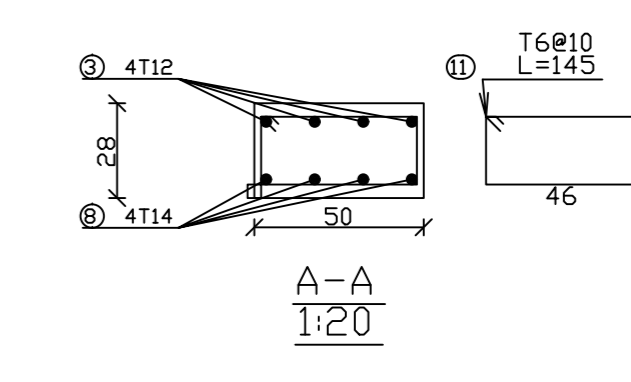
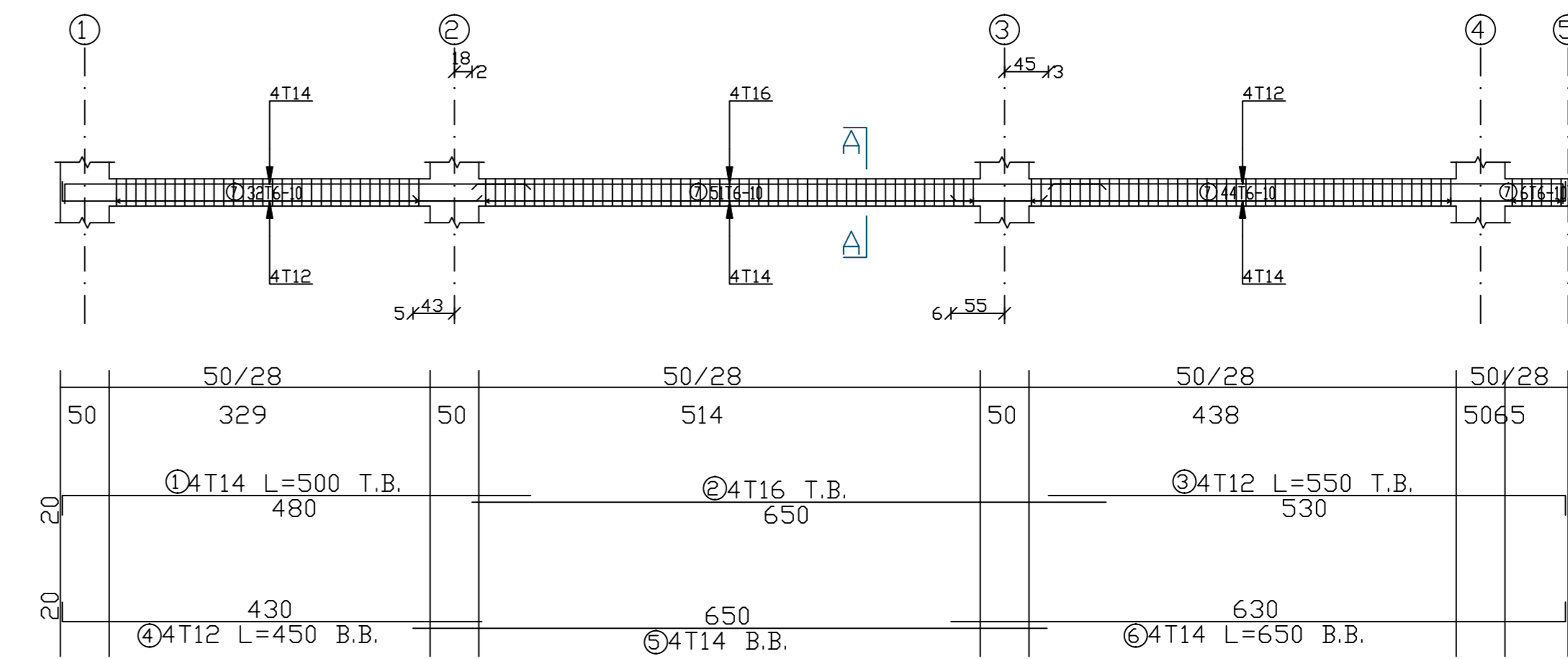
B34(80*28)
Scale 1:50



B35(80*28)
Scale 1:50



B37(50*28)
Scale 1:50



project title :

structural design for a commercial residential building in the city of Hebron

Done by :

Rimad Al-Abed
Qamar Al-Anatseh

supervisor:
Eng. Inas shweki

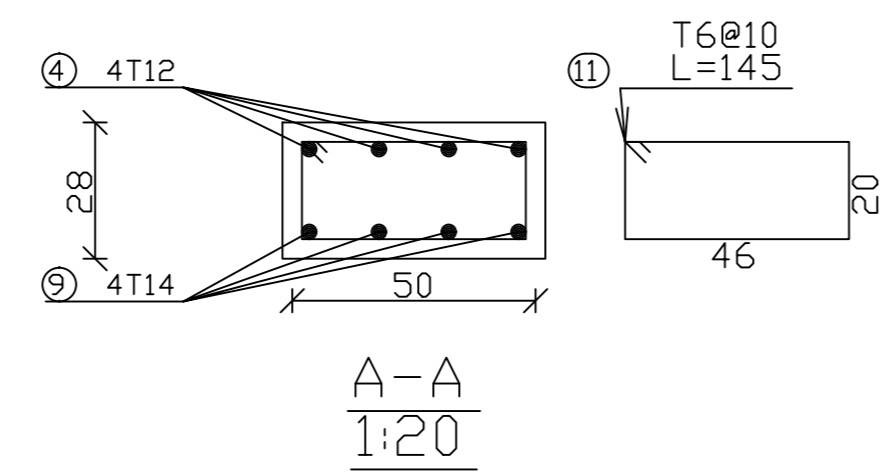
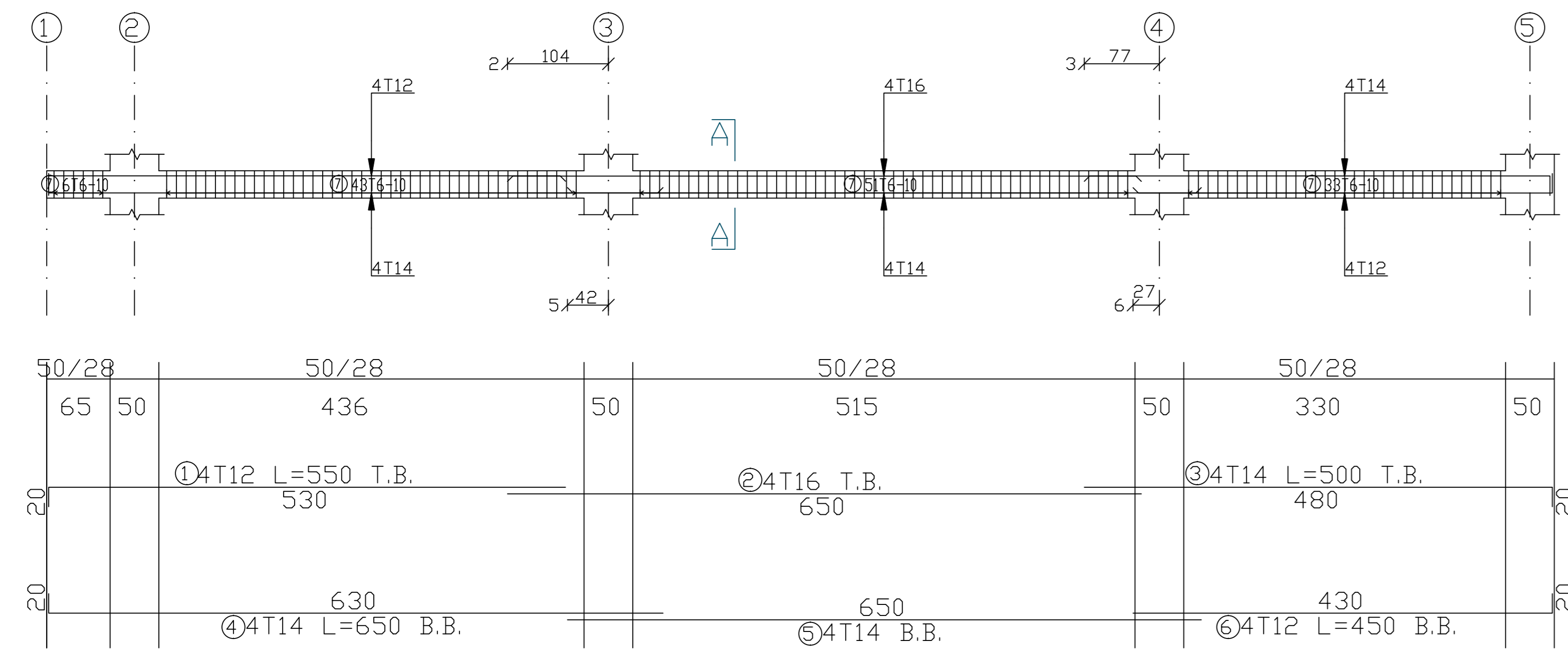
scale:

No. of DRAW **S34**

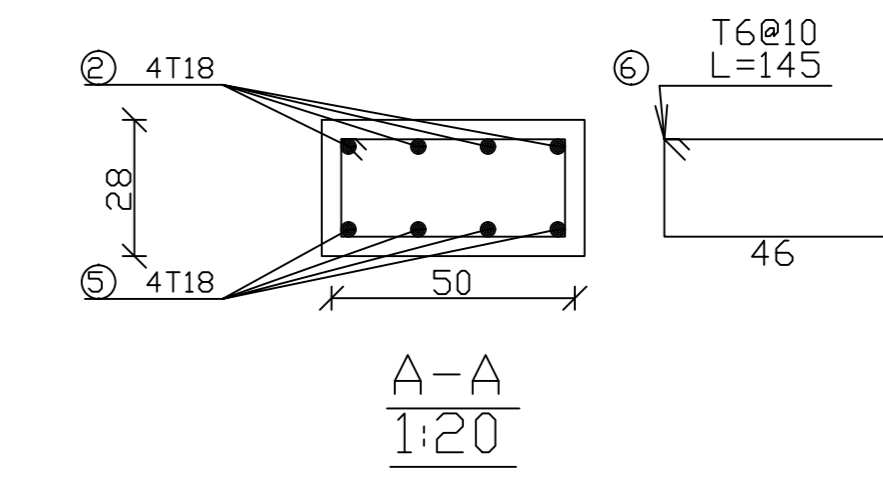
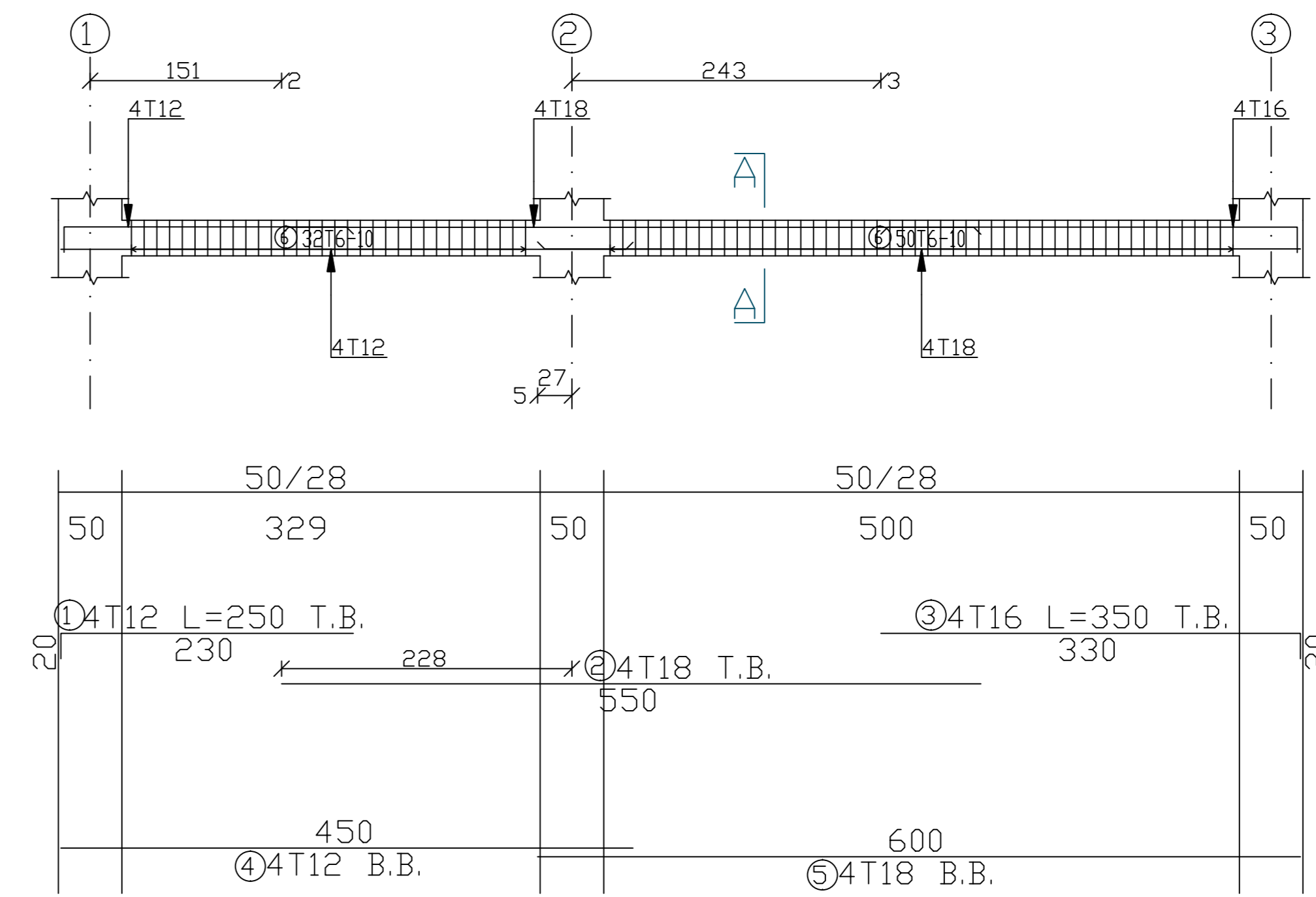
DATE: 23/5/2023

B38(50*28)
Scale 1:50

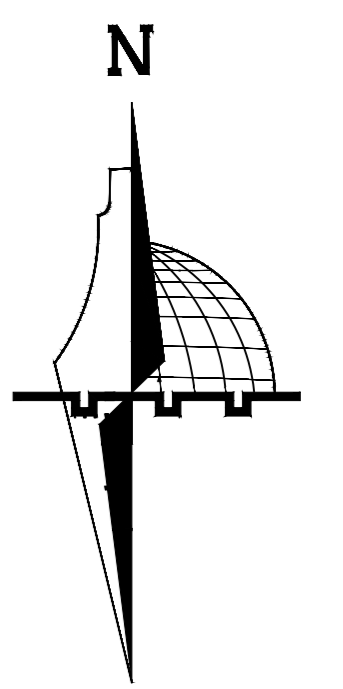
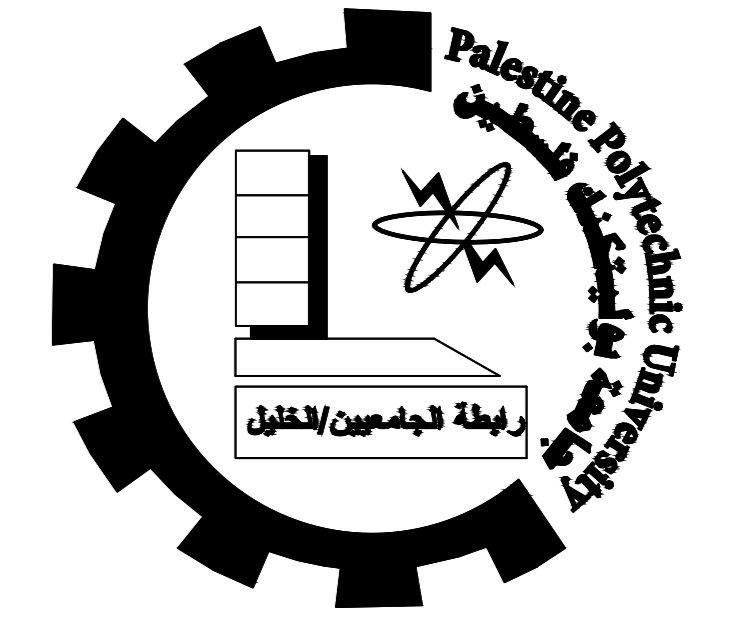
BEAM DETAILS



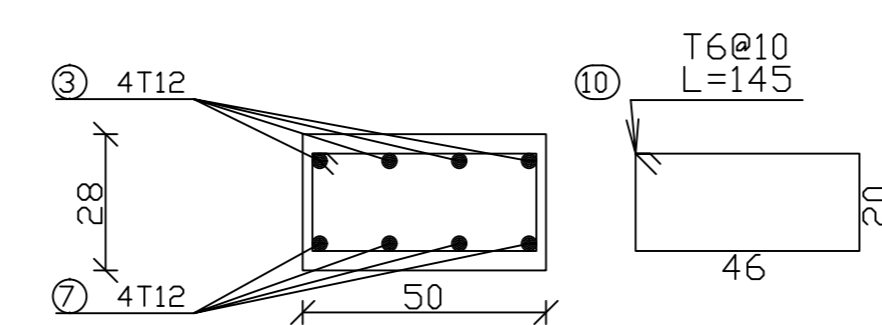
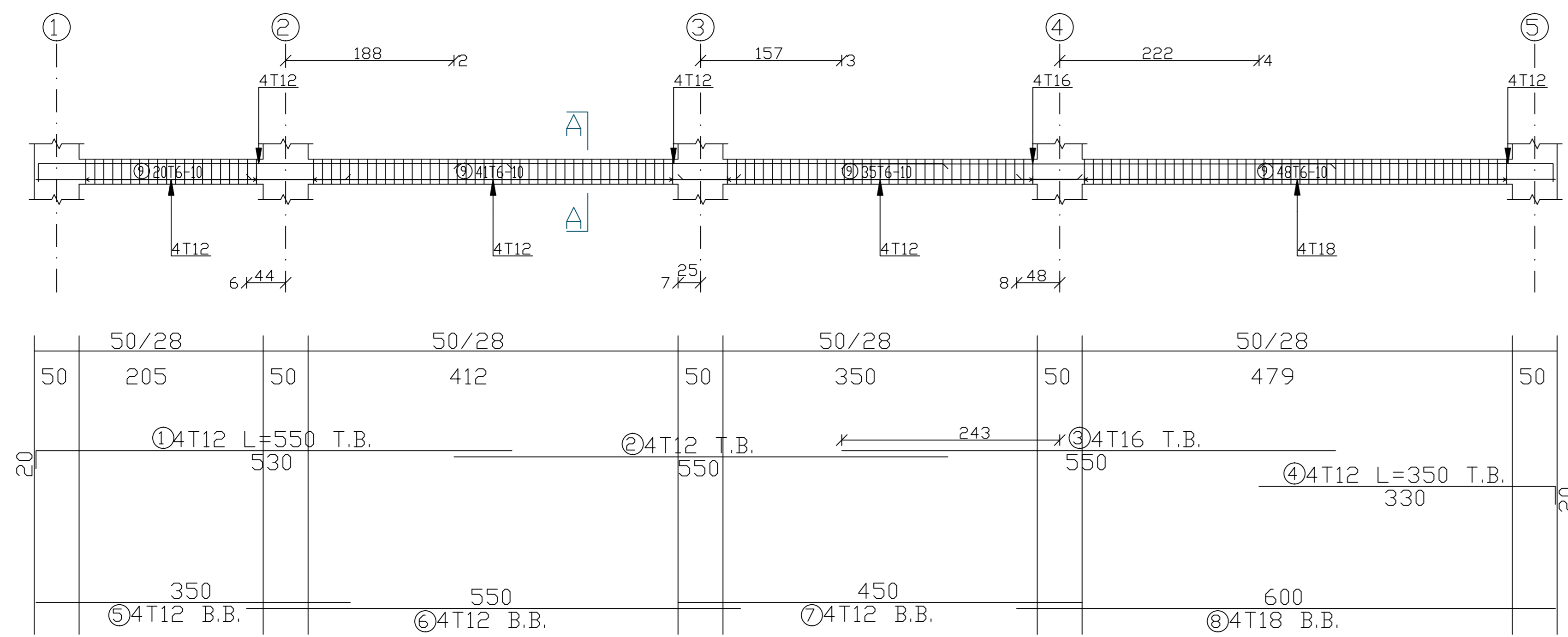
B39(50*28)
Scale 1:50



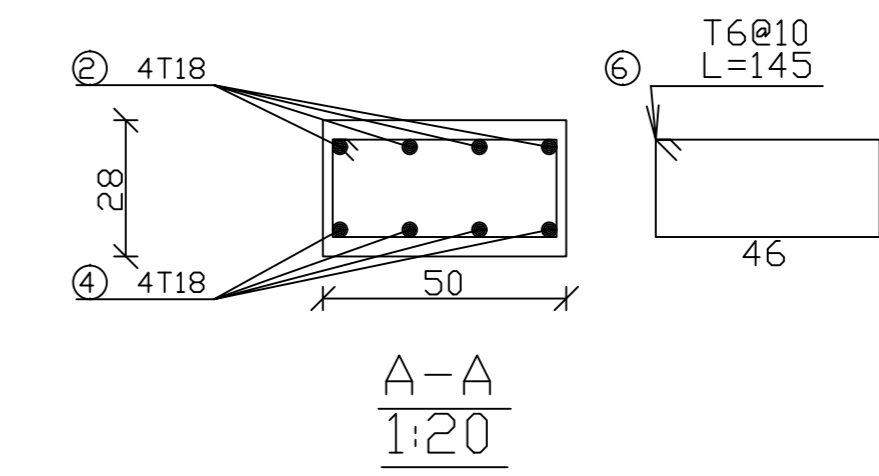
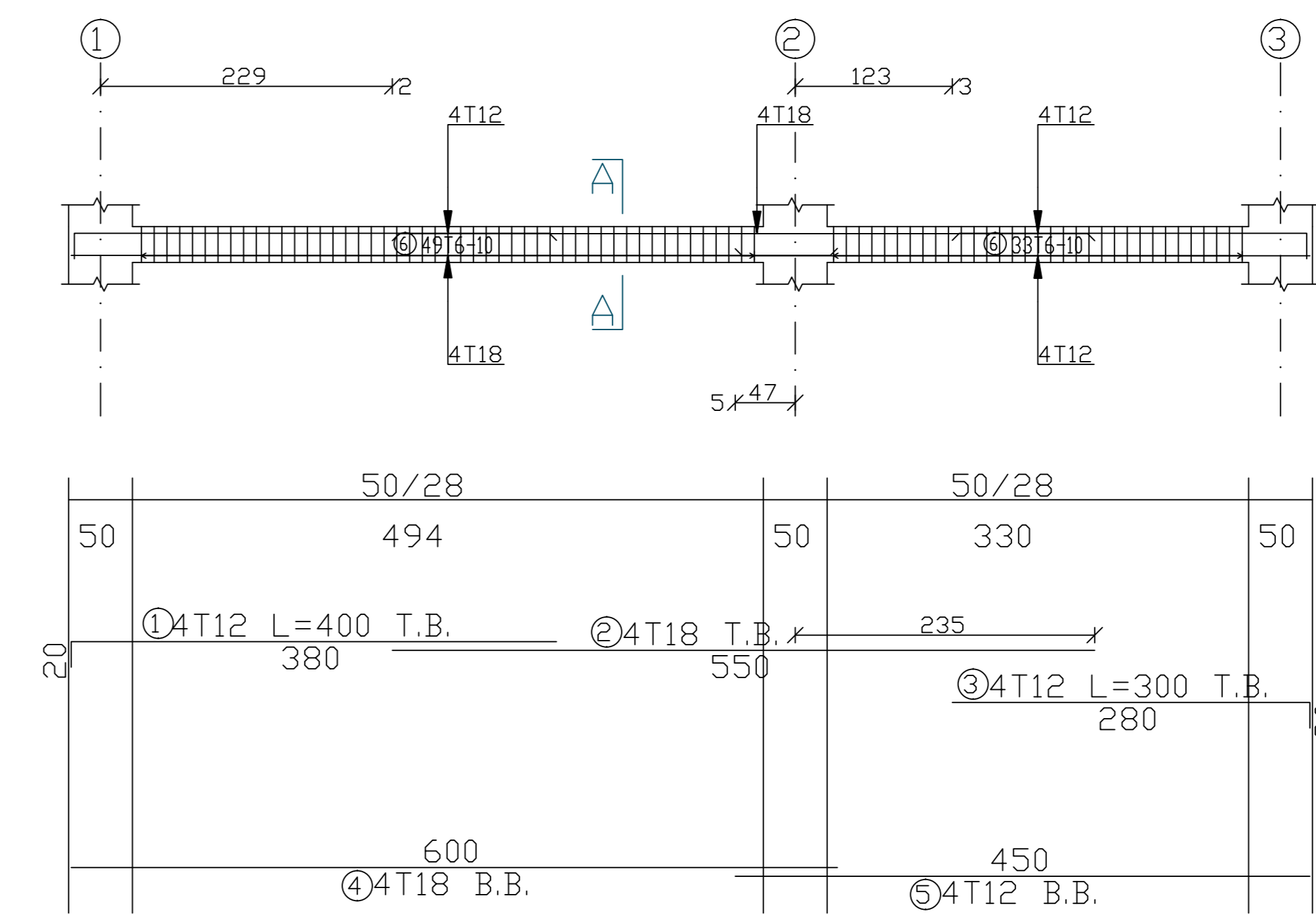
Palestine Polytechnic University



B41(50*28)
Scale 1:50



B40(50*28)
Scale 1:50



project title :

structural design for a commercial residential building in the city of Hebron

Done by :

Rinad AL-Abed
Qamar AL-Anatsheh

supervisor:

Eng. Inas shweki

scale:

No. of
DRAW

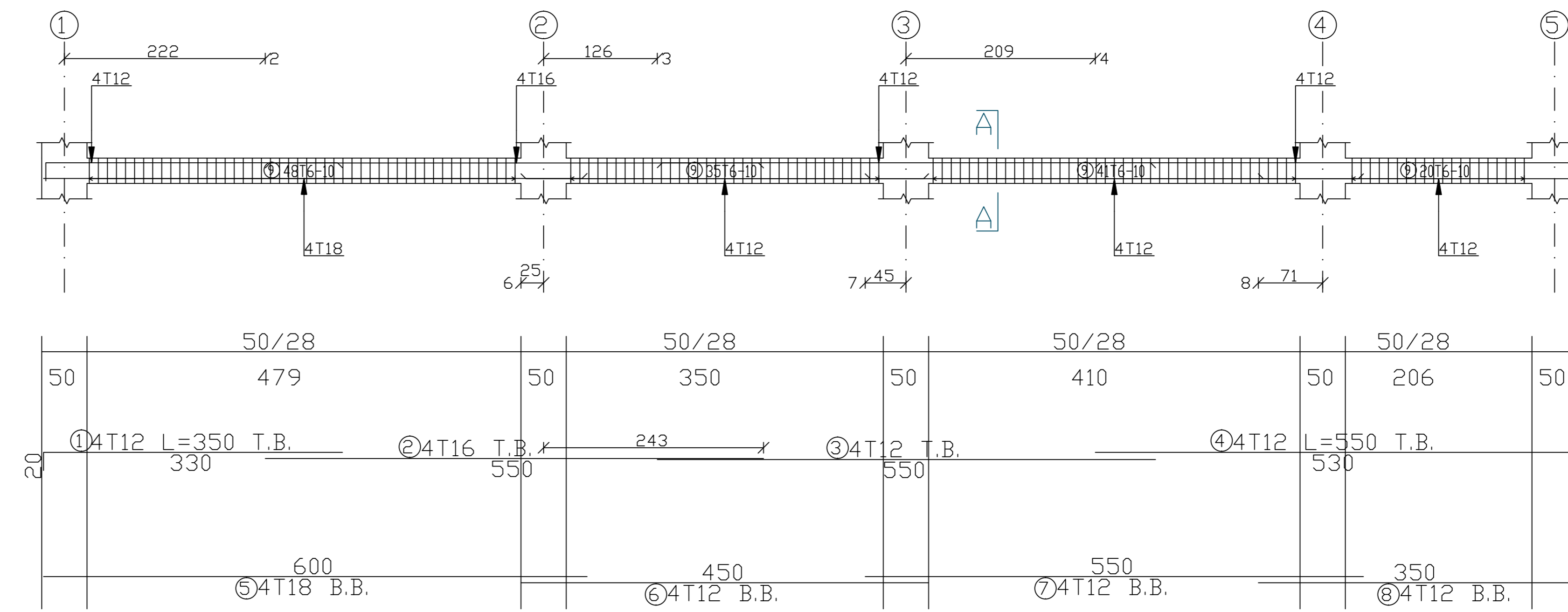
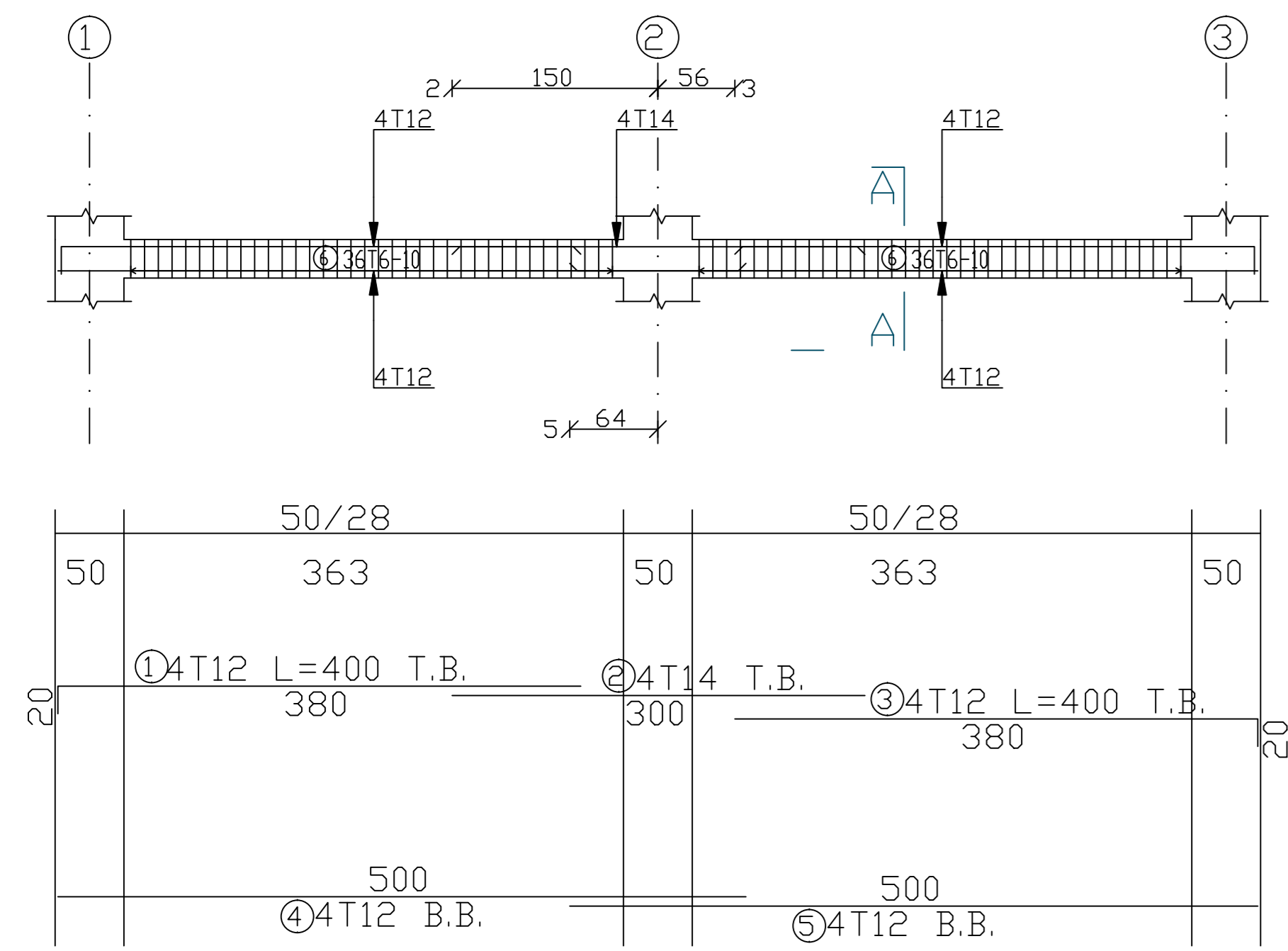
S35

DATE: 23/5/2023

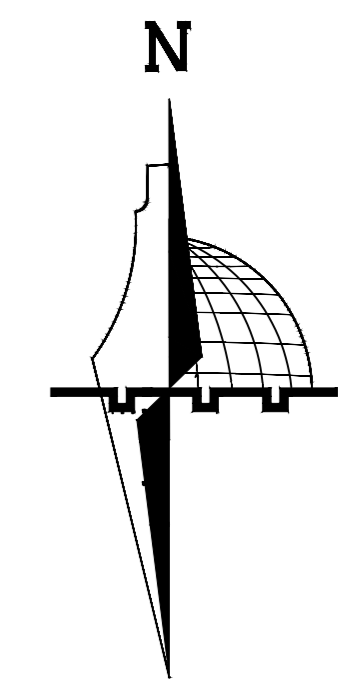
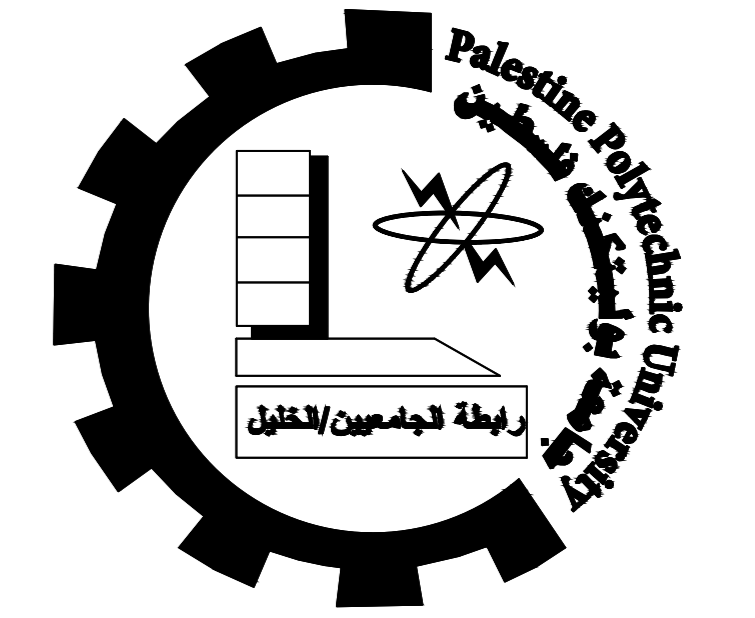
BEAM DETAILS

B42(50*28)
Scale 1:50

B43(50*28)
Scale 1:50

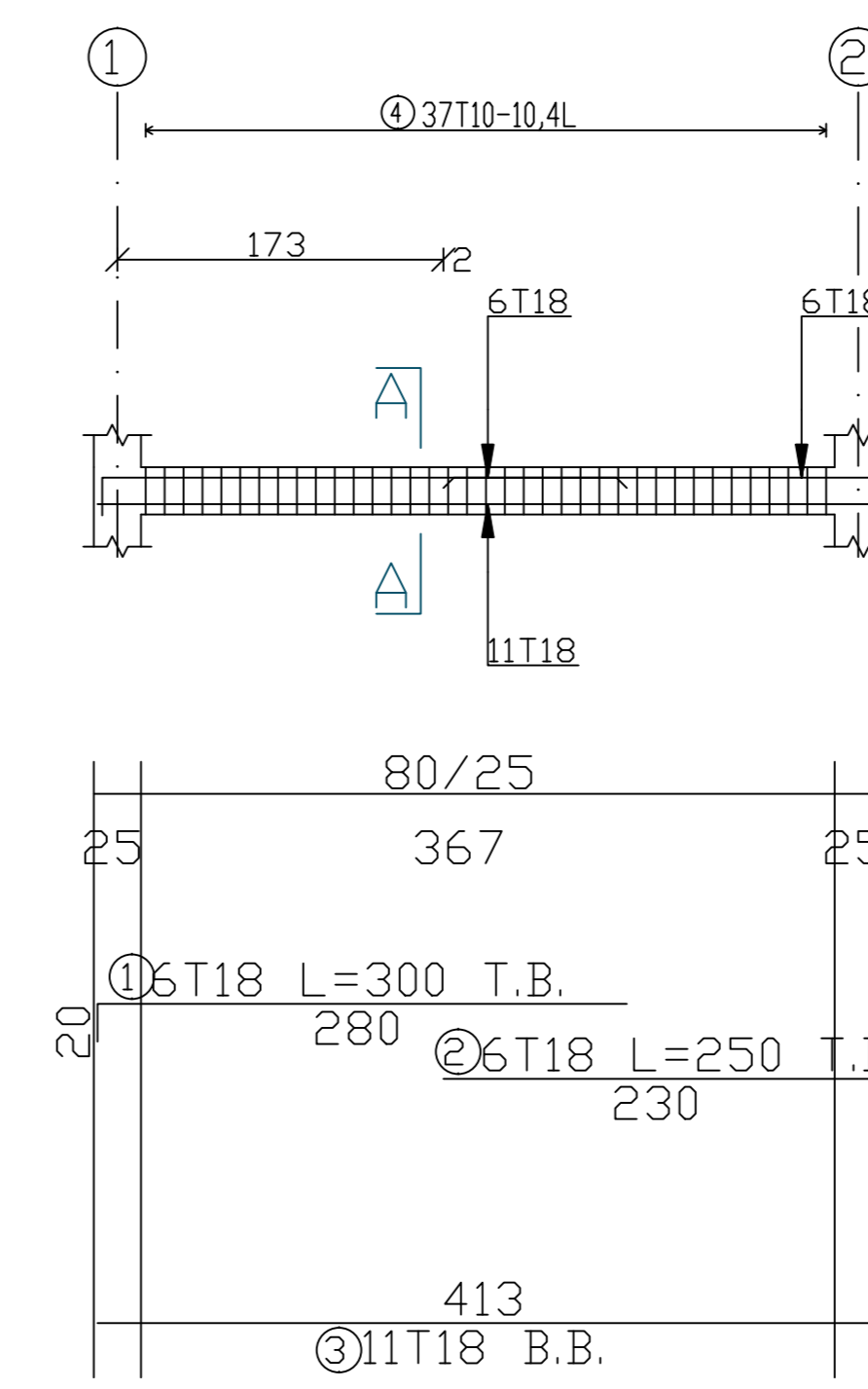
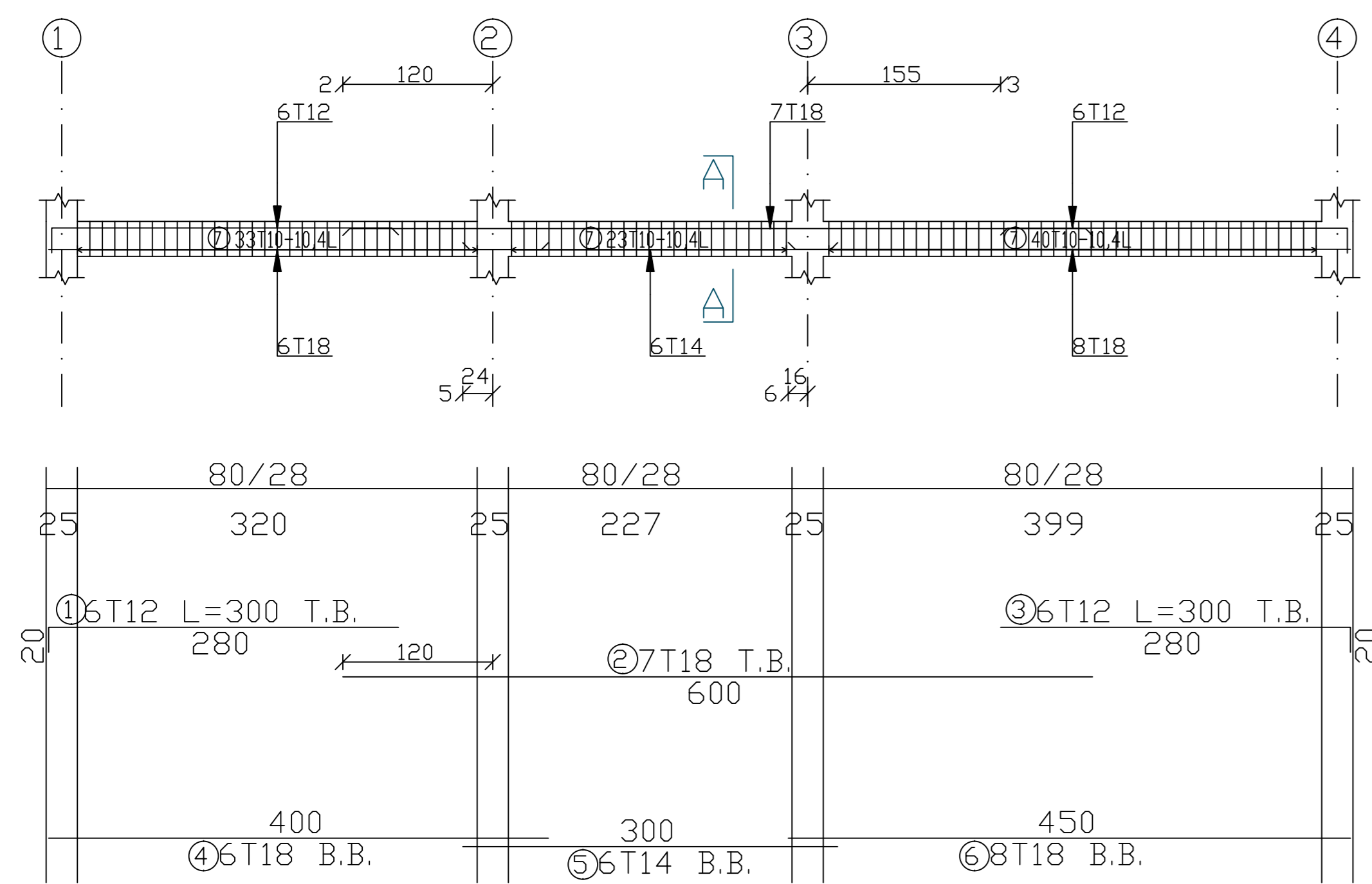


Palestine Polytechnic University



B46(80*28)
Scale 1:50

B45(80*28)
Scale 1:50



project title :

structural design for a commercial residential building in the city of Hebron

Done by :

Rinad Al-Abed
Qamar Al-Anatsheh

supervisor:

Eng. Inas shaweki

scale:

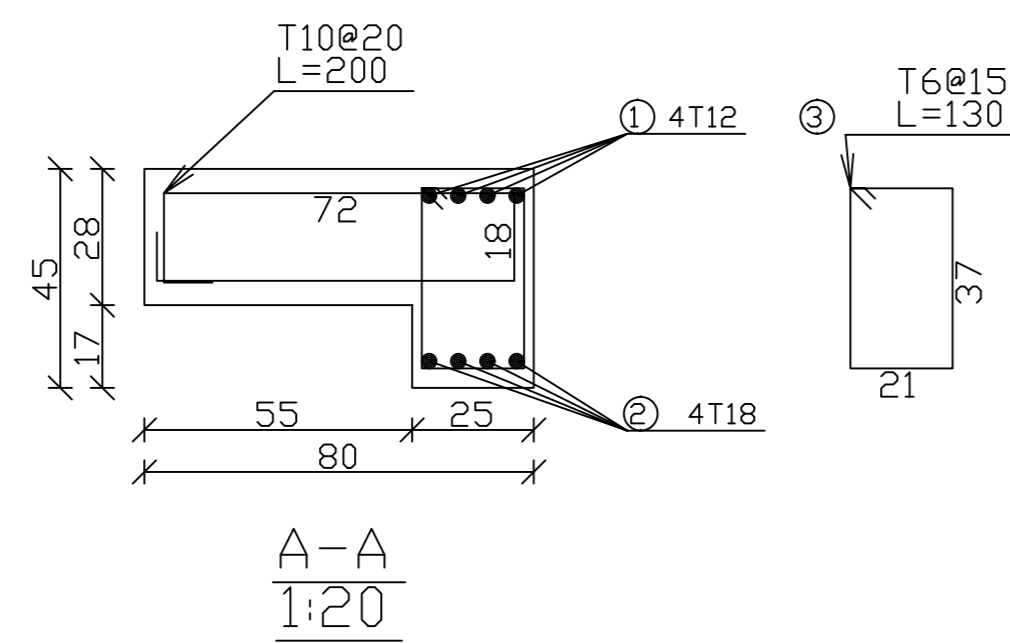
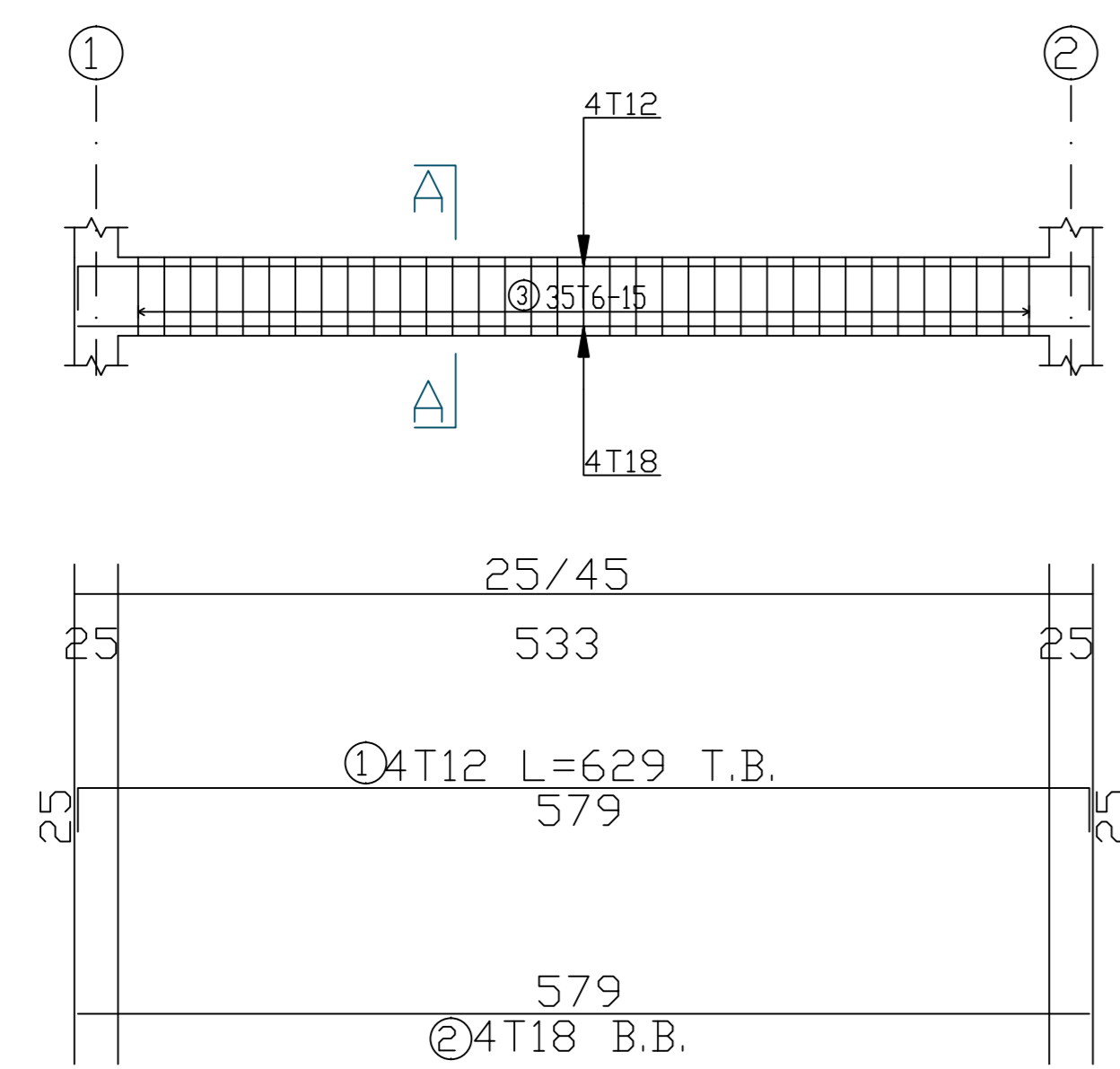
No. of DRAW

S36

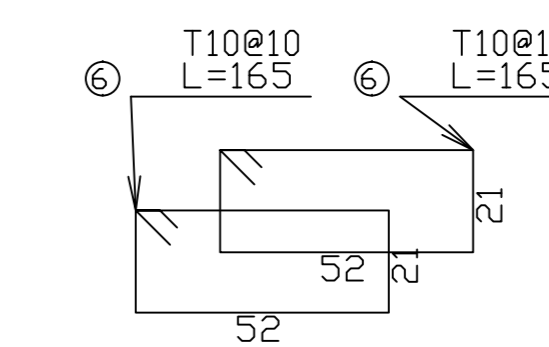
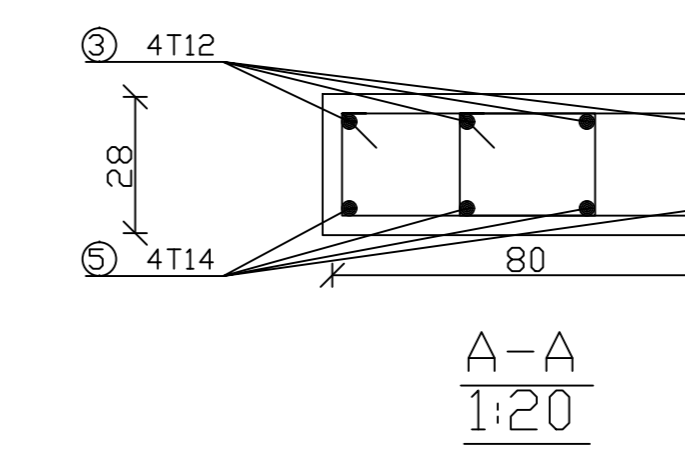
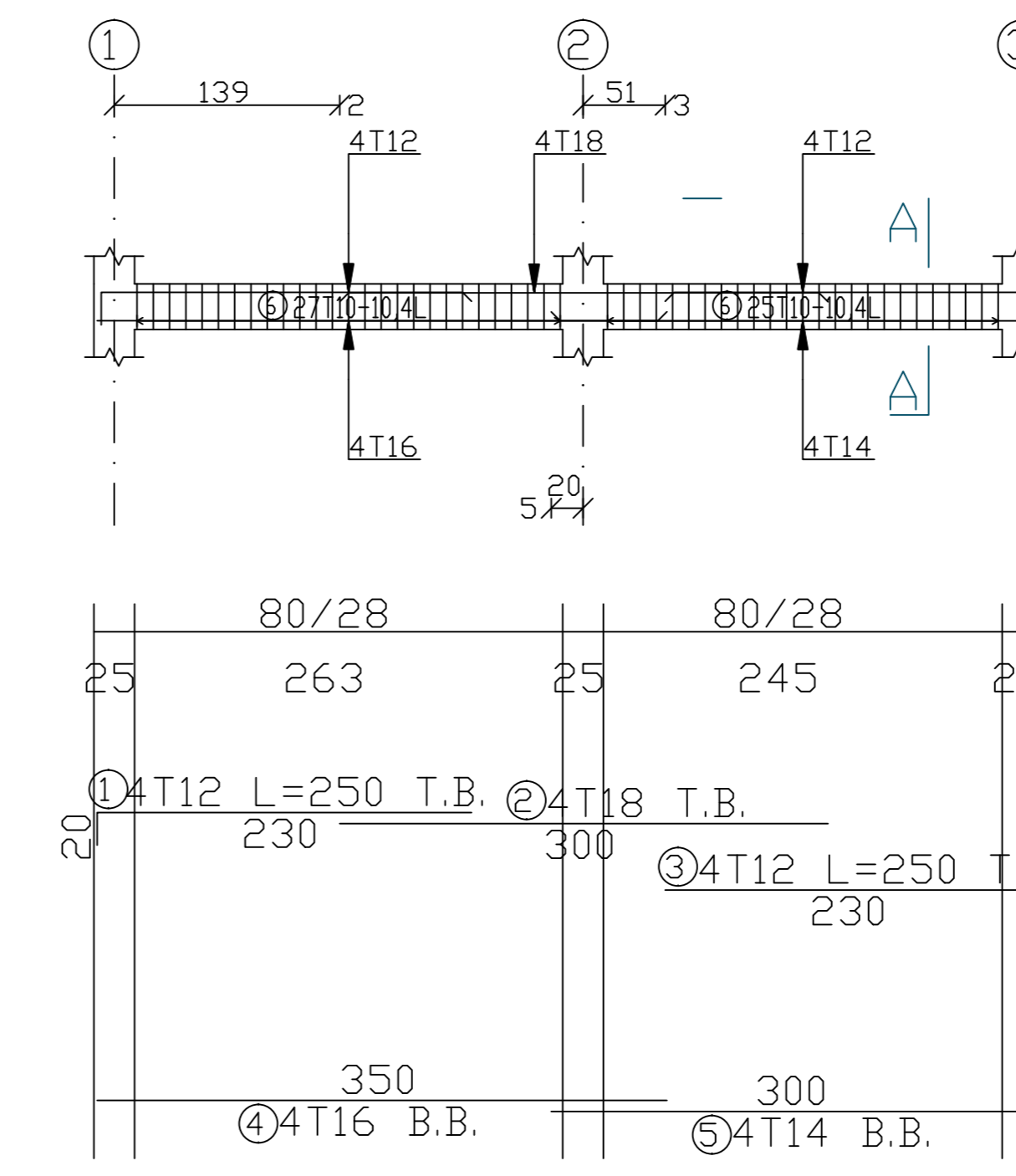
DATE: 23/5/2023

BEAM DETAILS

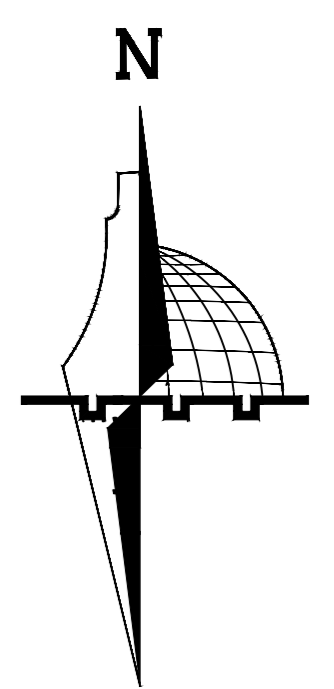
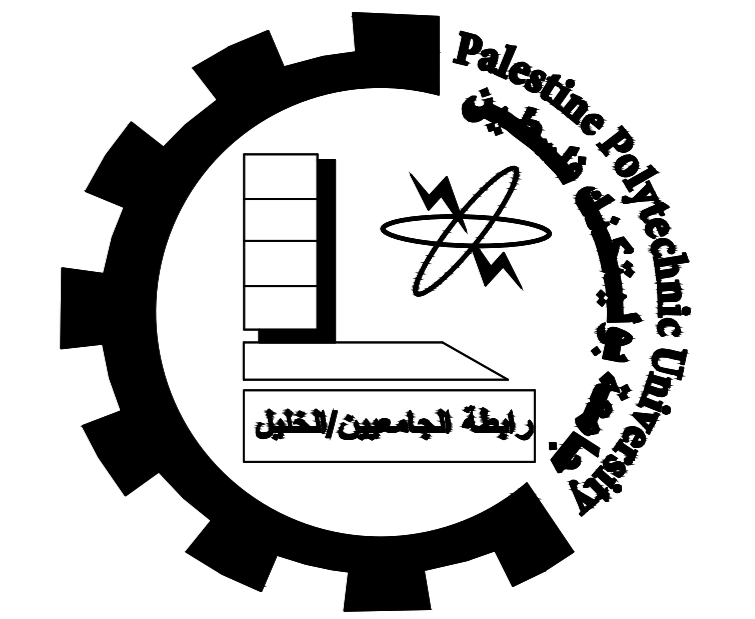
B47(50*28)
Scale 1:50



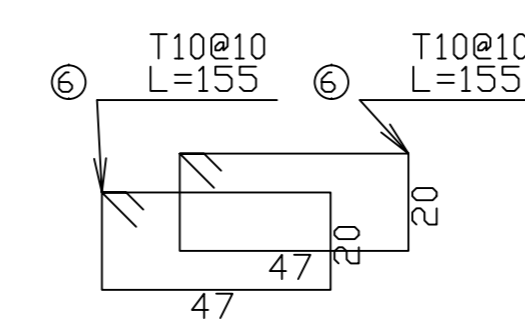
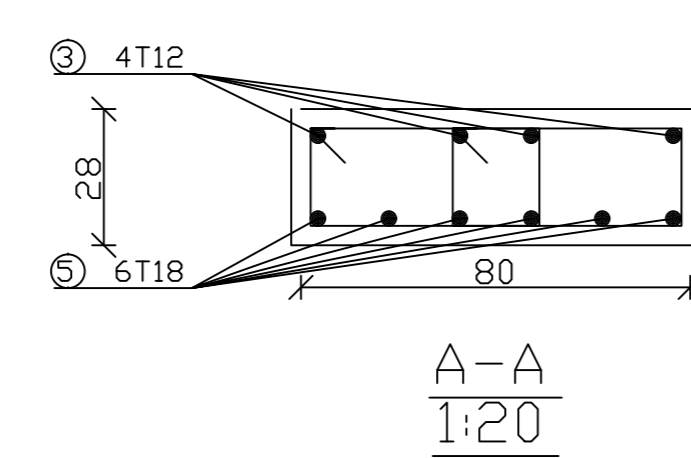
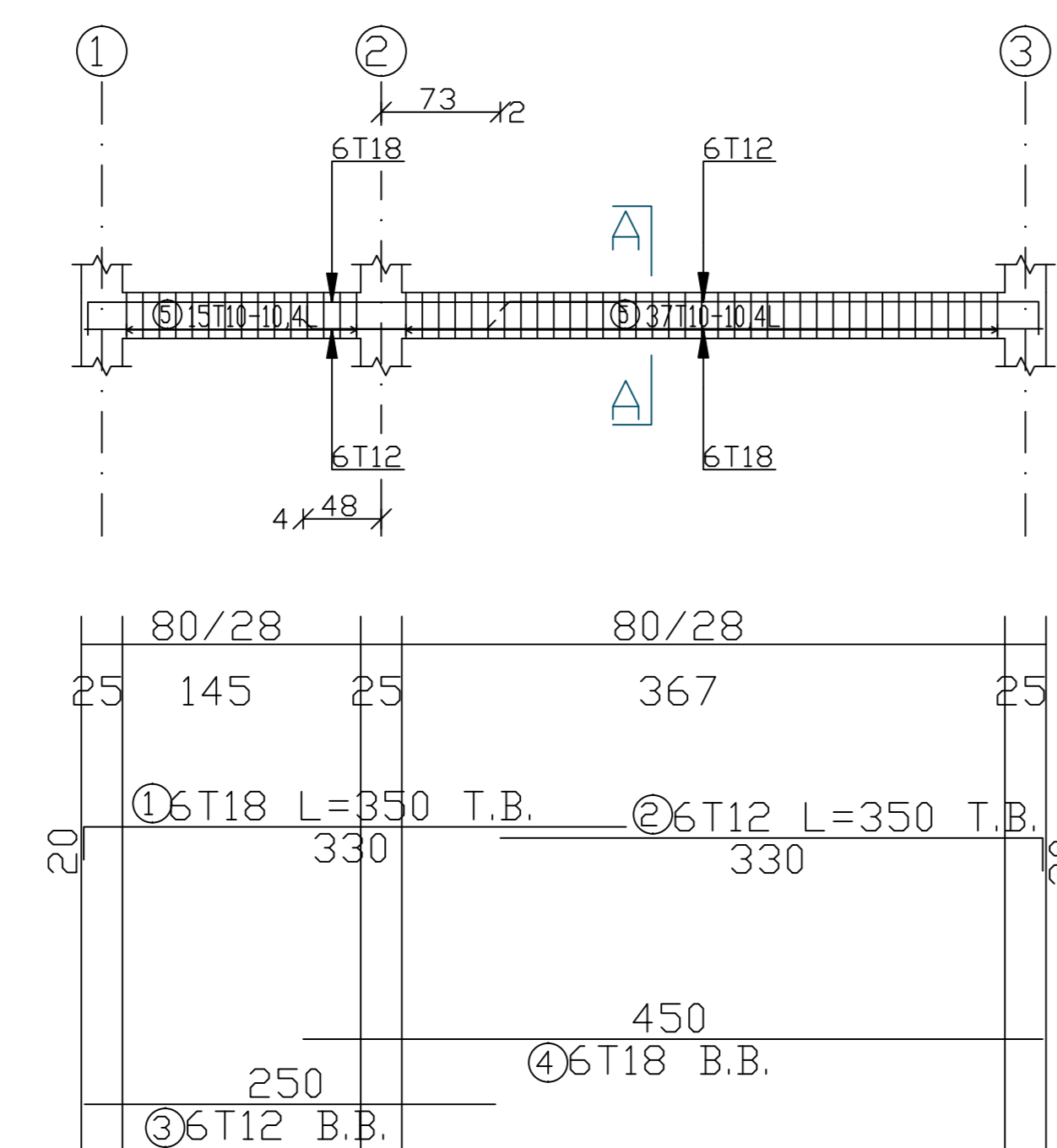
B48(80*28)
Scale 1:50



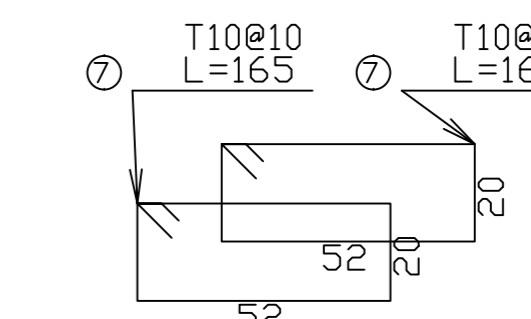
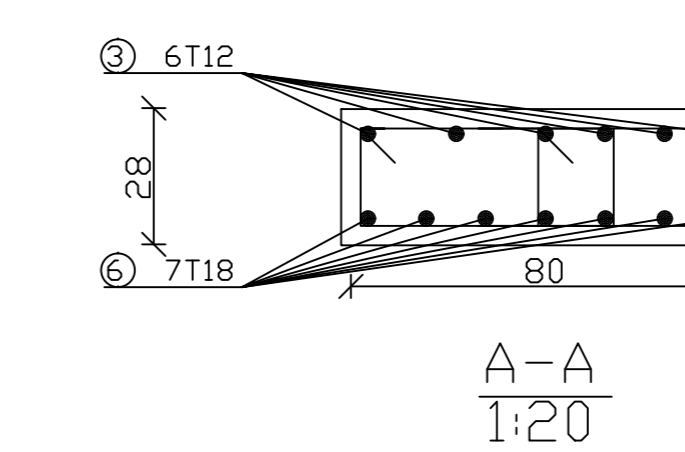
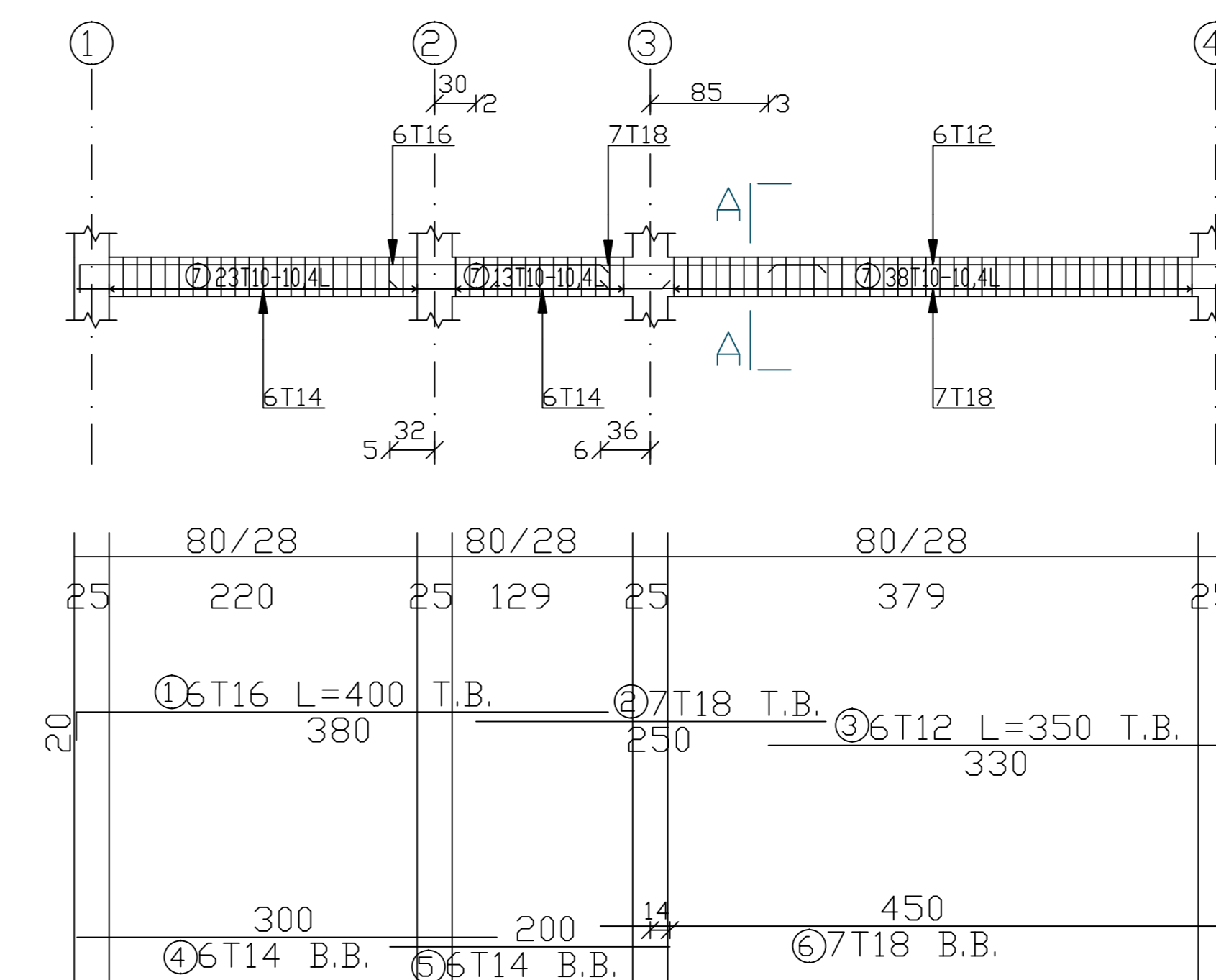
Palestine Polytechnic University



B49(80*28)
Scale 1:50



B50(50*28)
Scale 1:50



project title :
structural design for a commercial
residential building in the city of Hebron

Done by :
Rinad AL-Abed
Qamar AL-Anatsheh

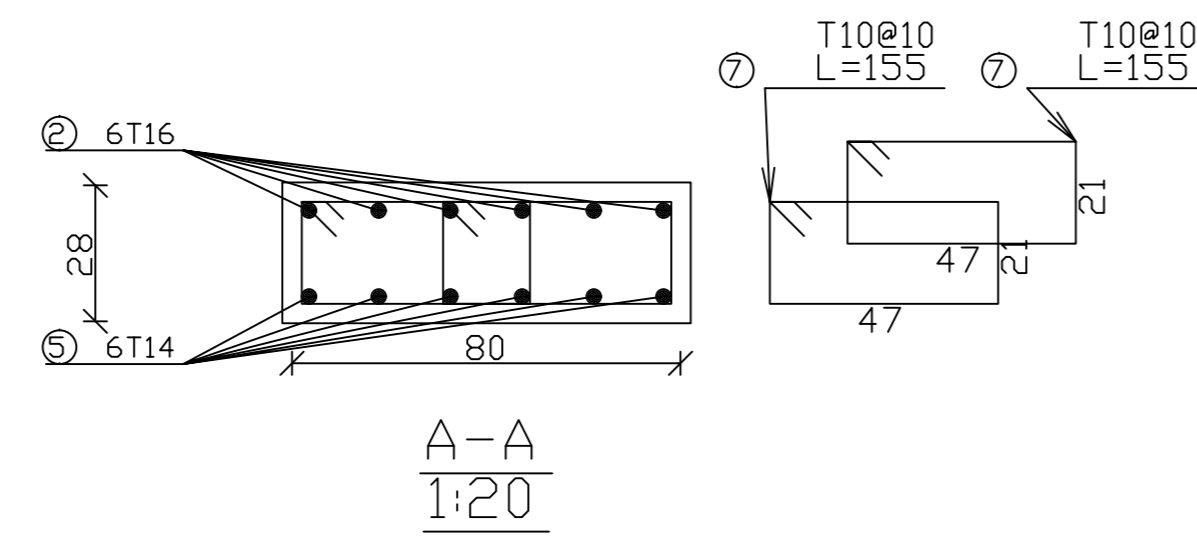
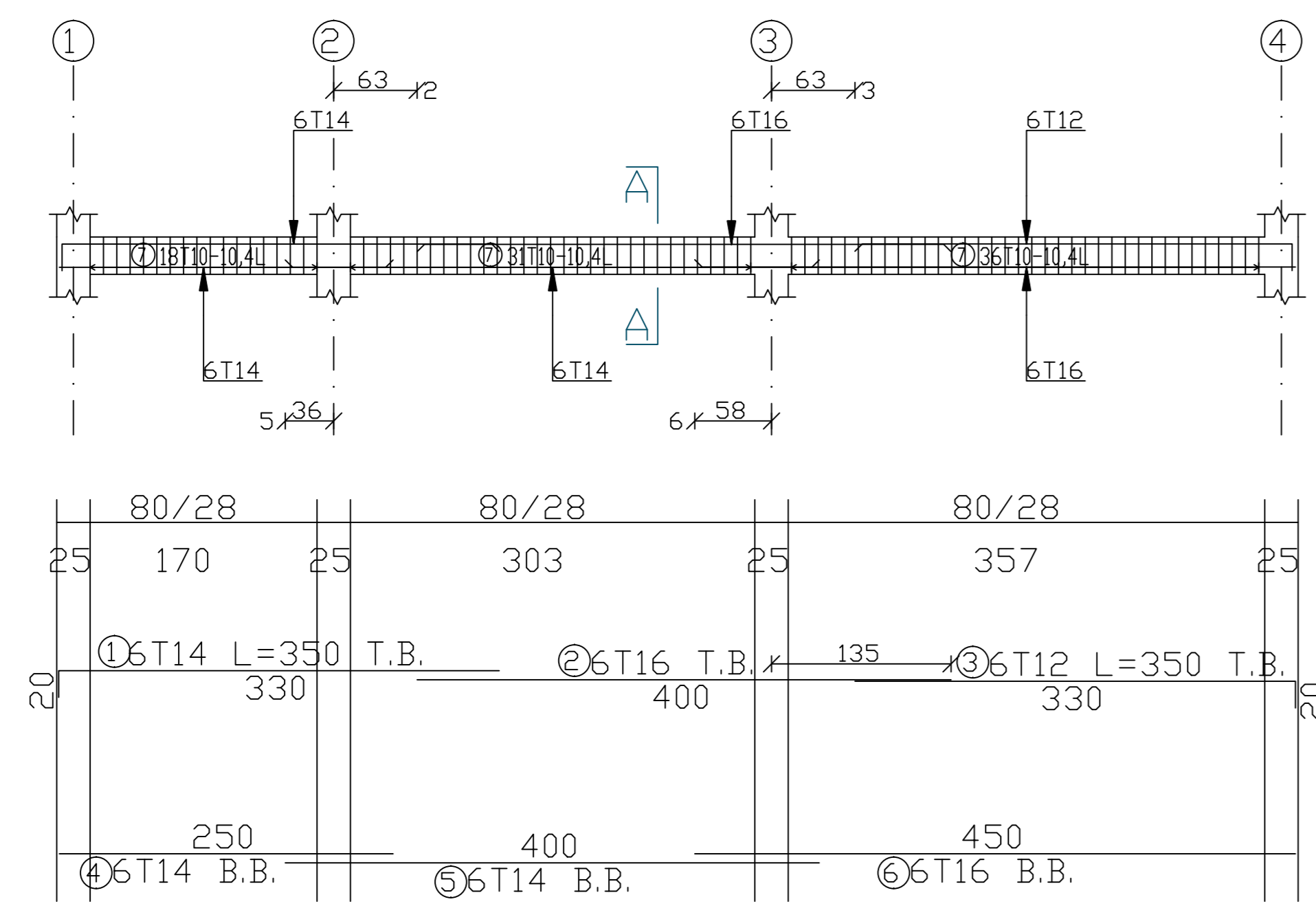
supervisor:
Eng. Inas shweki

scale:
No. of
DRAW **S37**

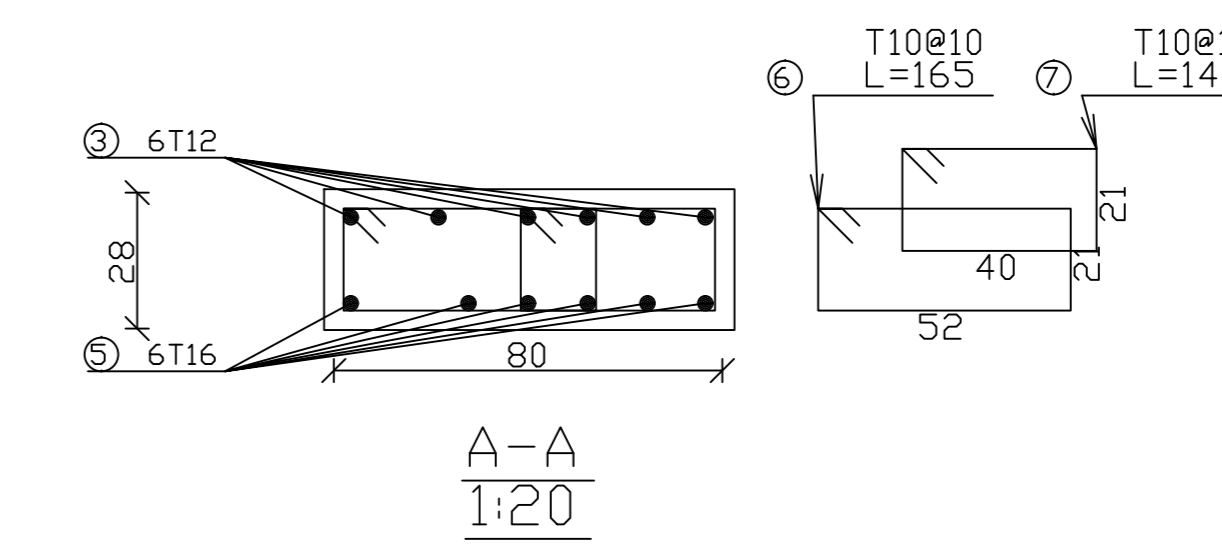
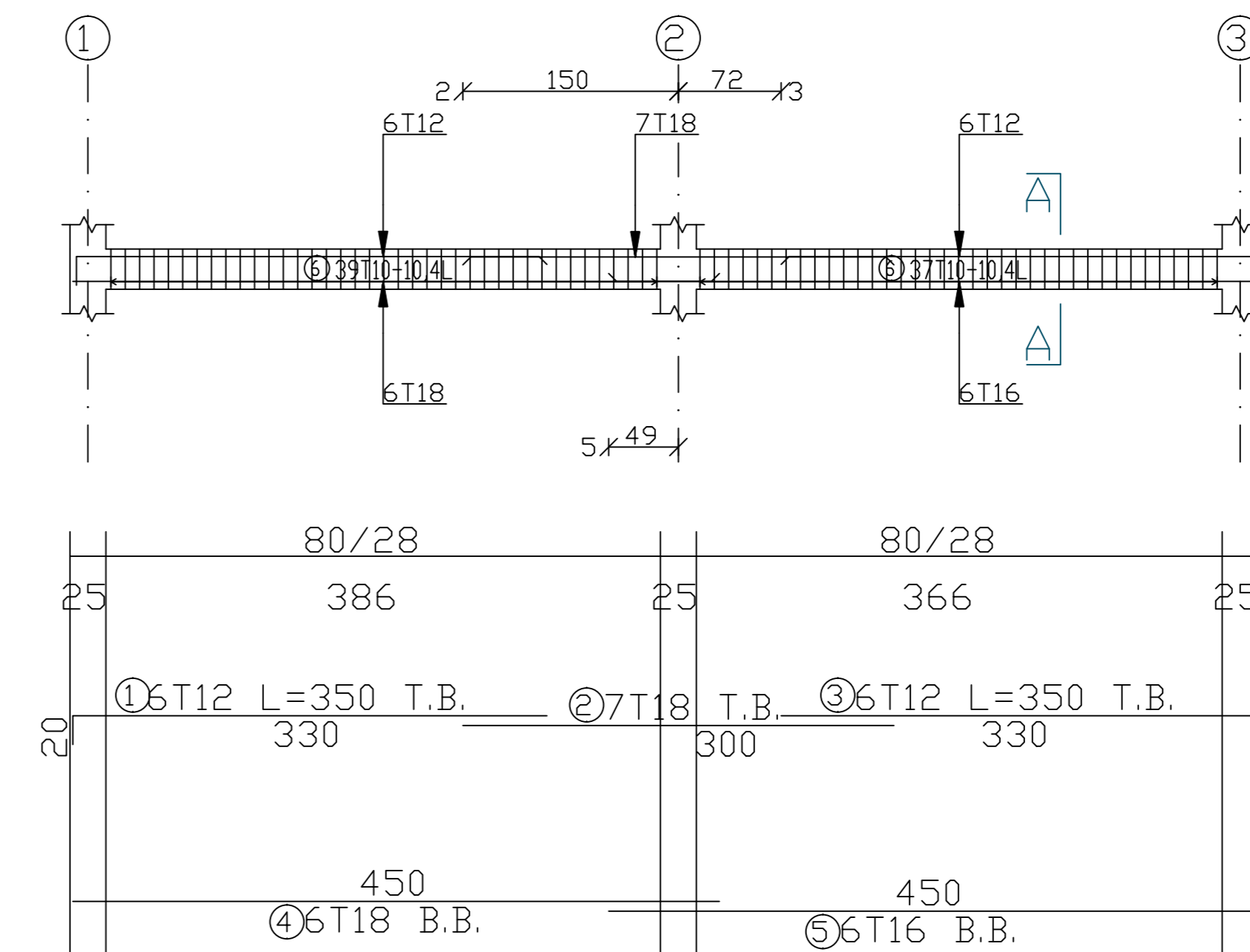
DATE: 23/5/2023

BEAM DETAILS

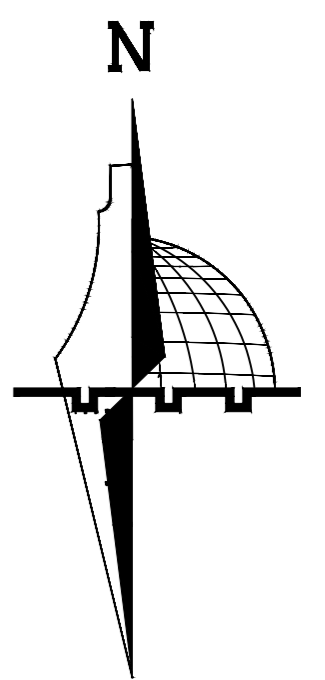
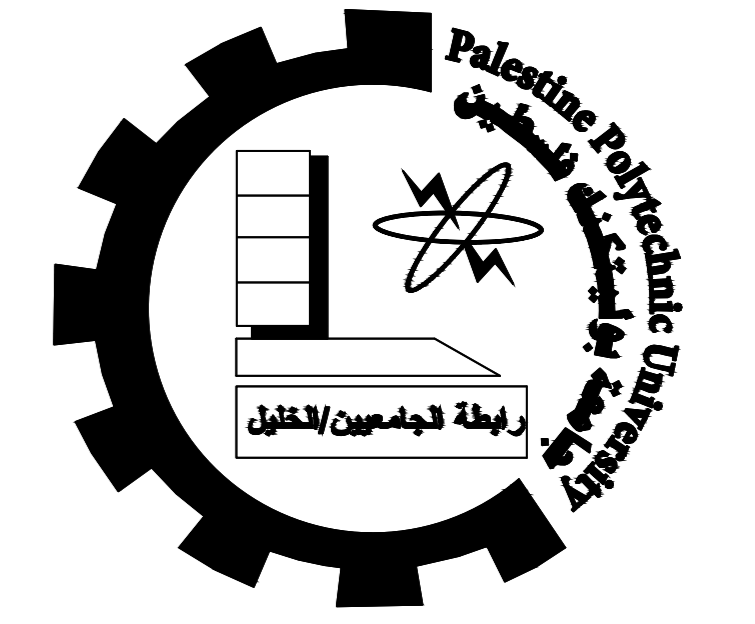
B52(80*28)
Scale 1:50



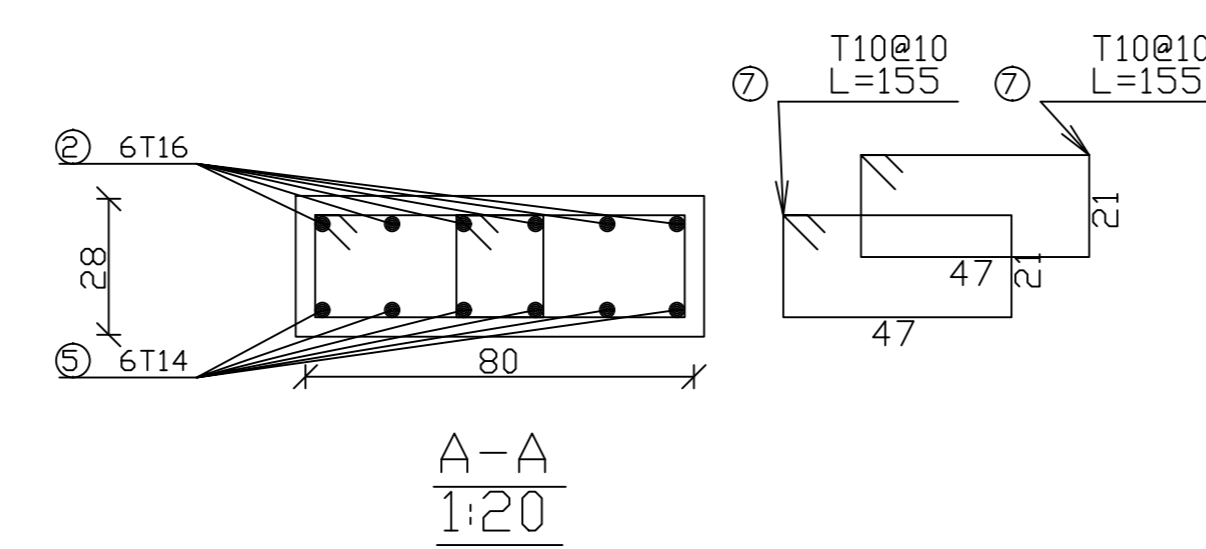
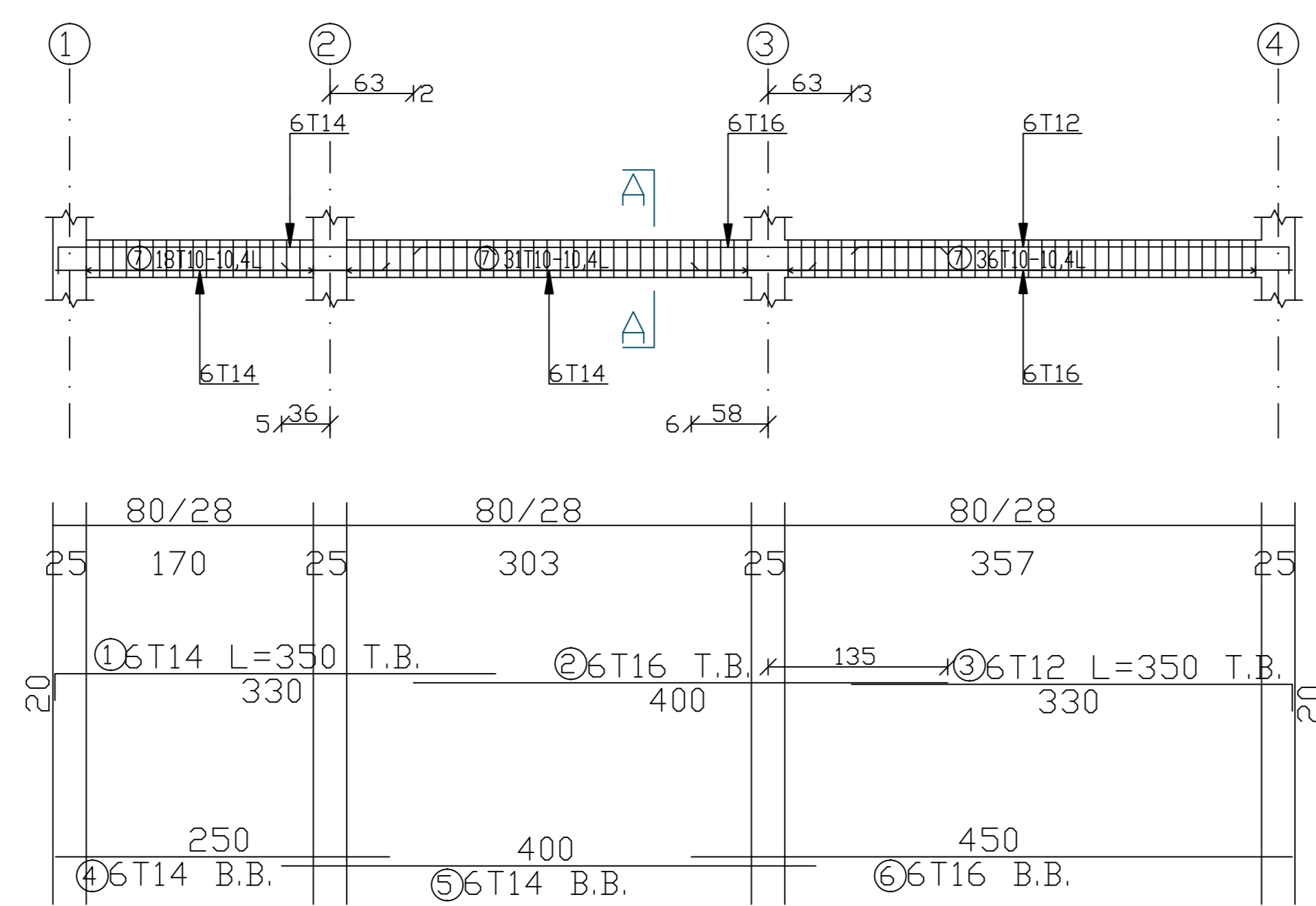
B51(80*28)
Scale 1:50



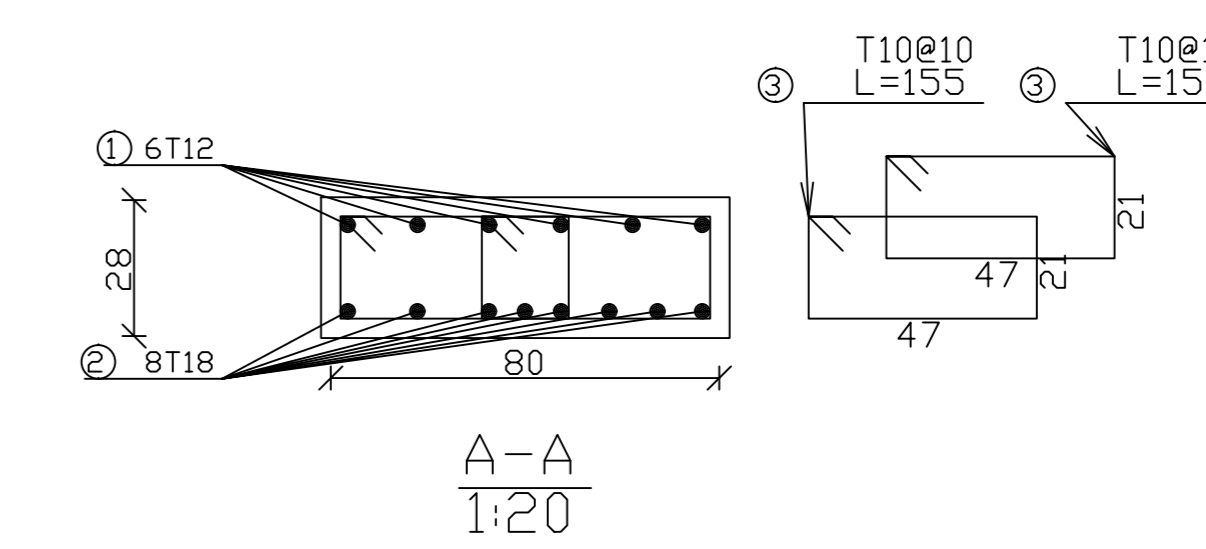
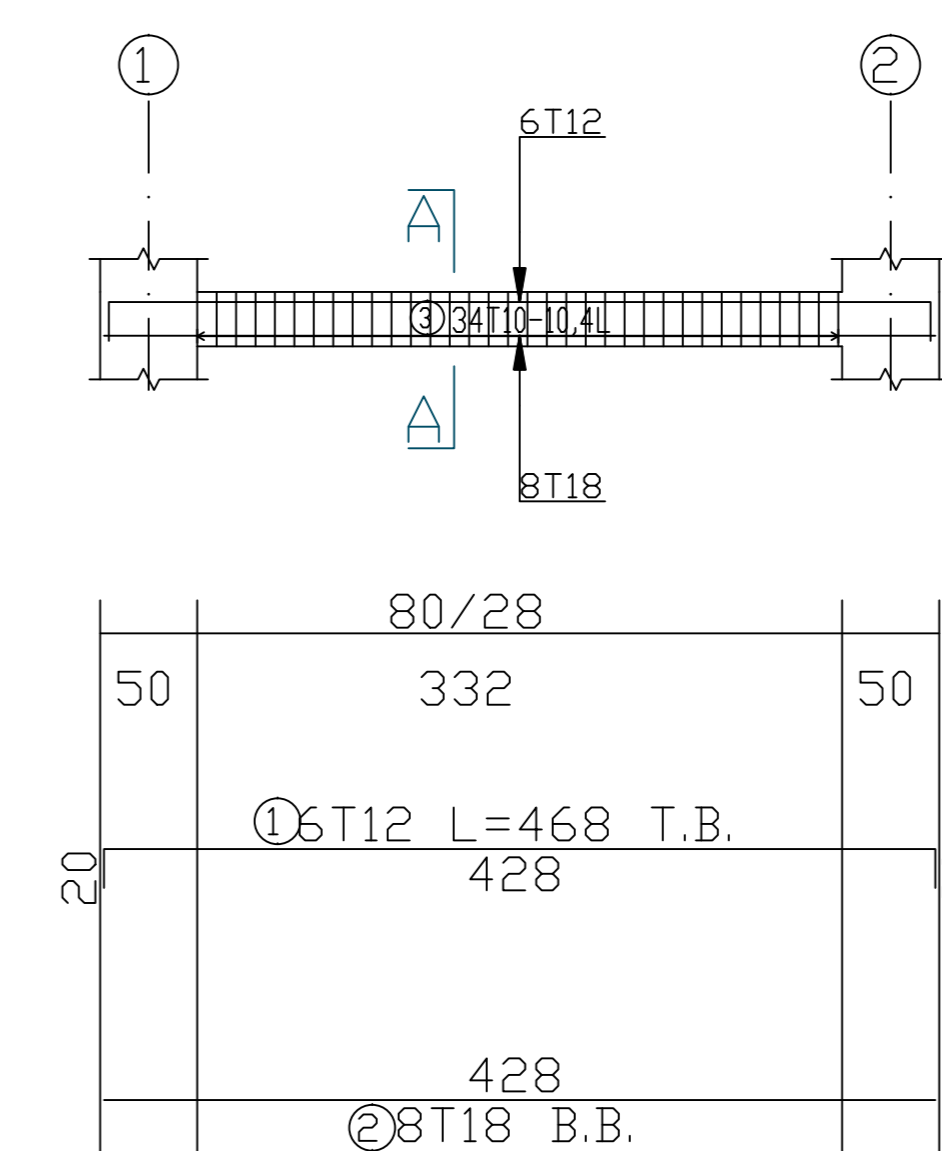
Palestine Polytechnic University



B55(80*28)
Scale 1:50



B53(80*28)
Scale 1:50



project title :
structural design for a commercial
residential building in the city of Hebron

Done by :
Rinad Al-Abed
Qamar Al-Anatsheh

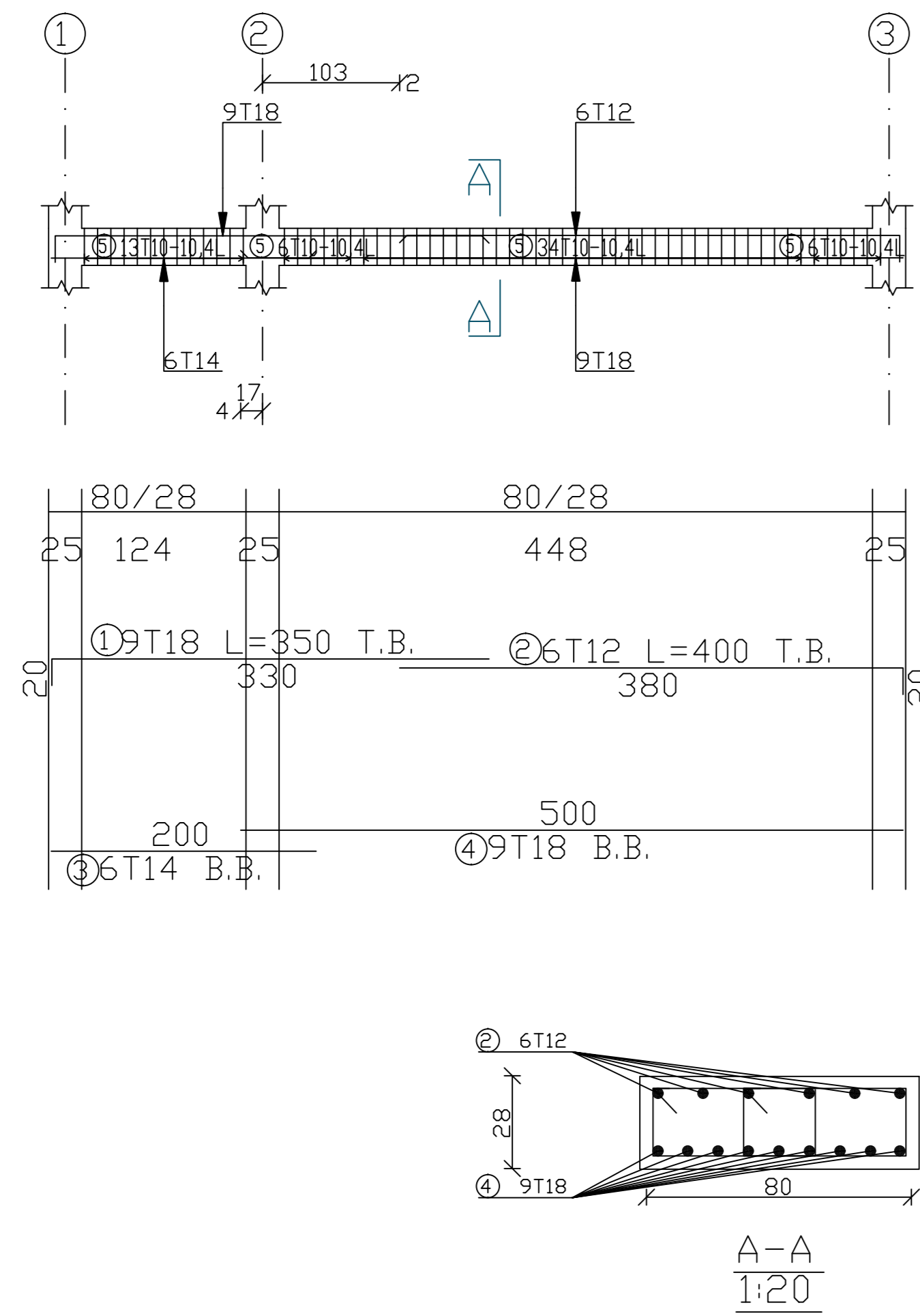
supervisor:
Eng. Inas shaweki

scale:
No. of DRAW **S38**

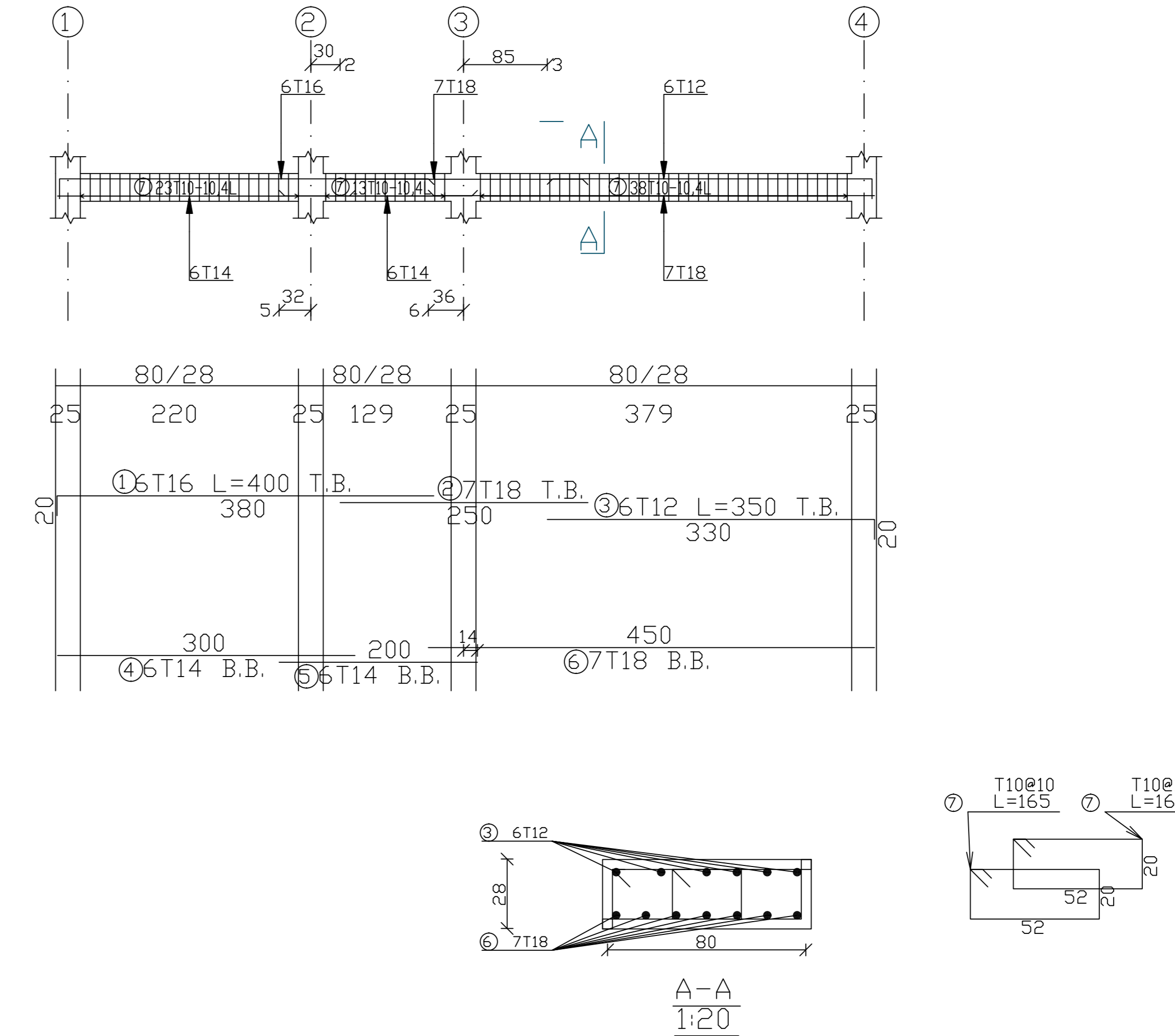
DATE: 23/5/2023

BEAM DETAILS

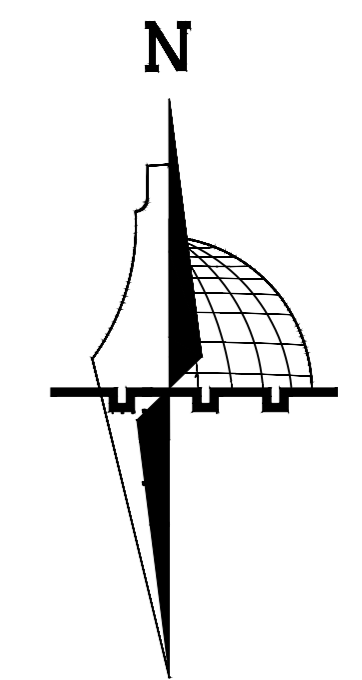
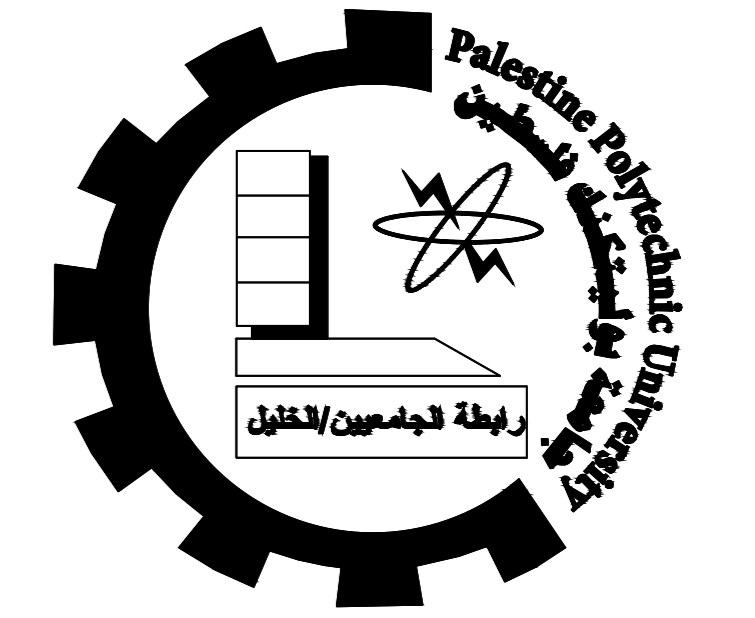
B58(80*28)
Scale 1:50



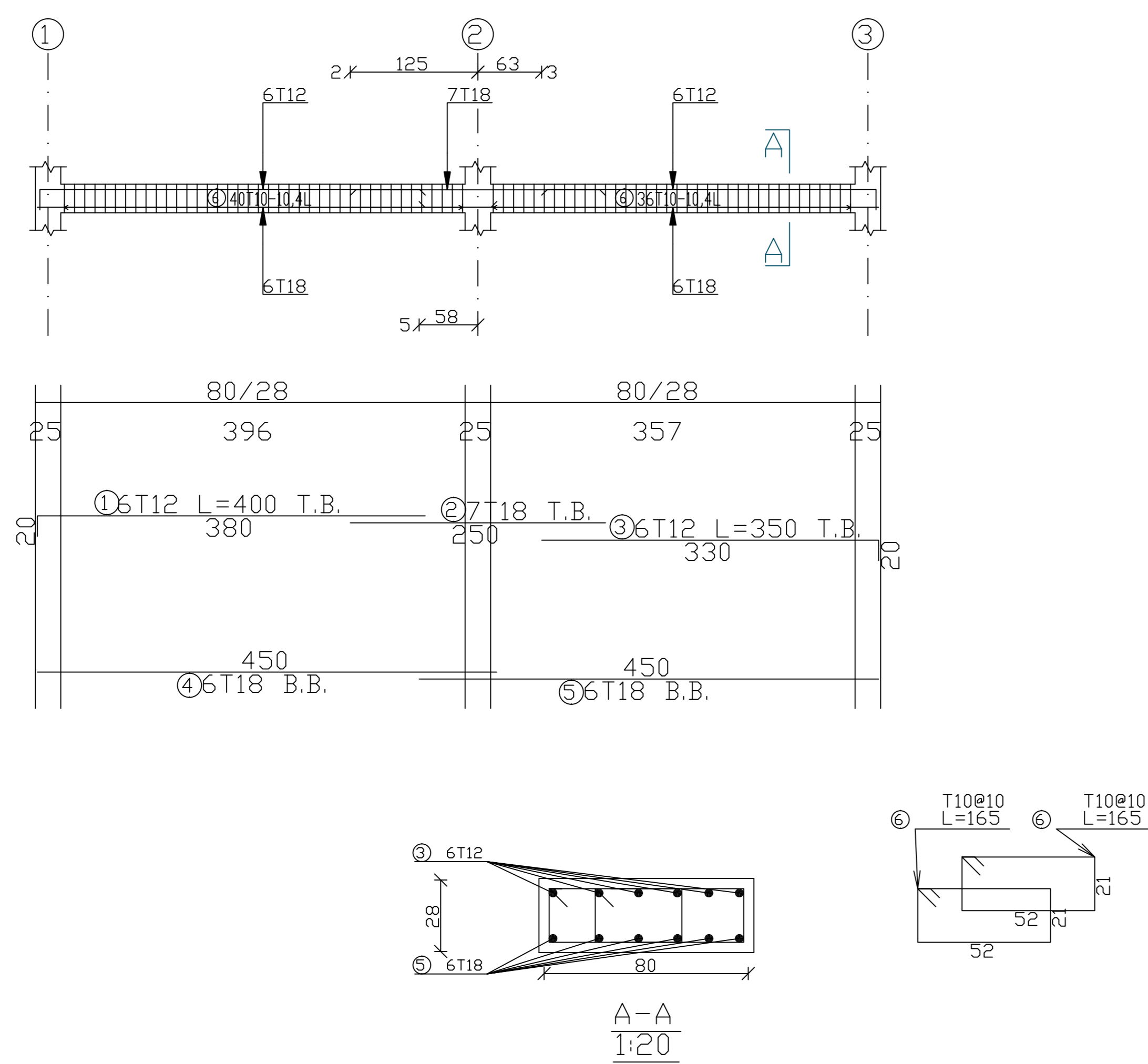
B57(80*28)
Scale 1:50



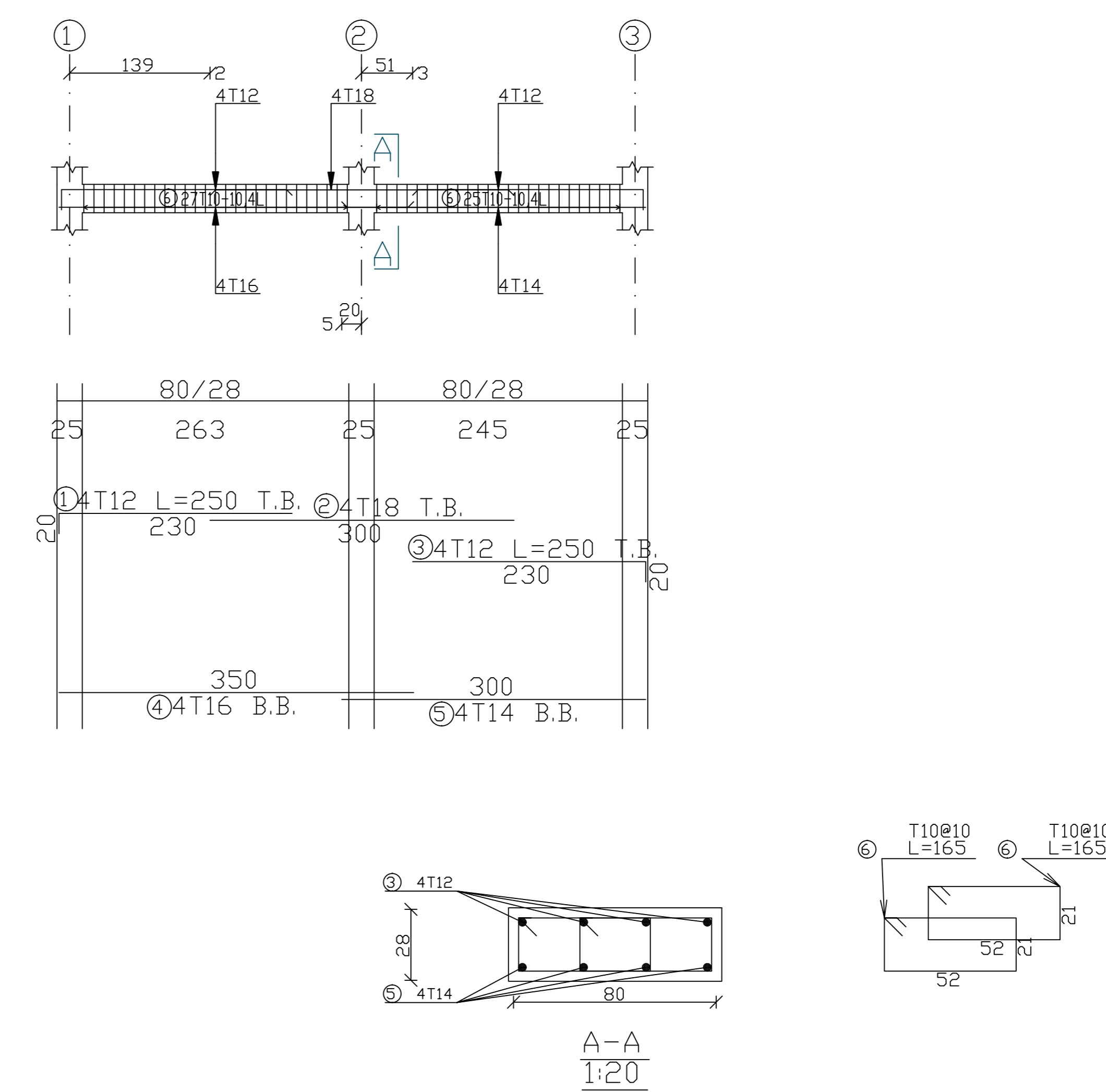
Palestine Polytechnic University



B56(80*28)
Scale 1:50



B59(80*28)
Scale 1:50



project title :
structural design for a commercial
residential building in the city of Hebron

Done by :
Rinad Al-Abed
Qamar Al-Anatsheh

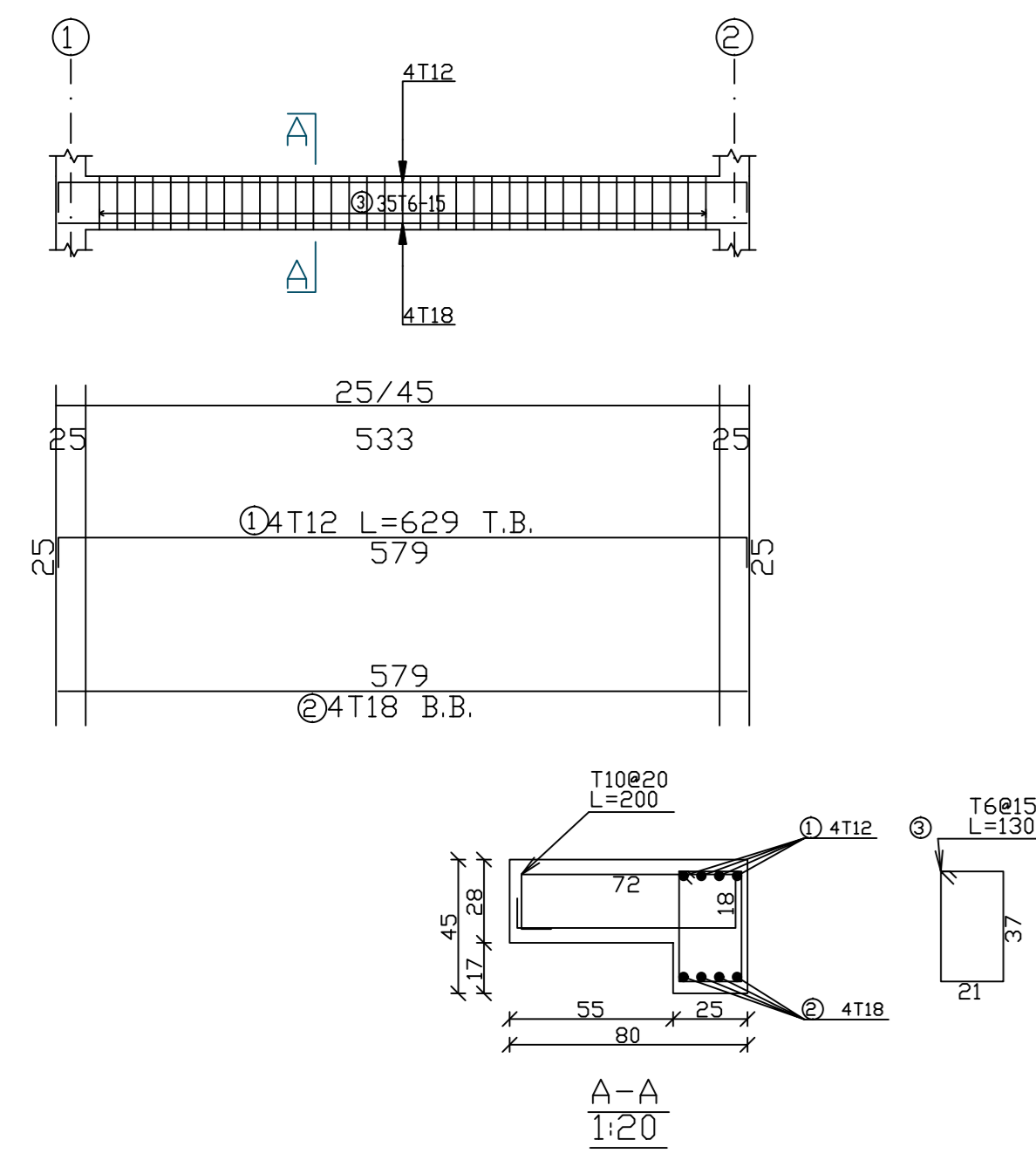
supervisor:
Eng. Inas shaweki

scale:
No. of
DRAW **S39**

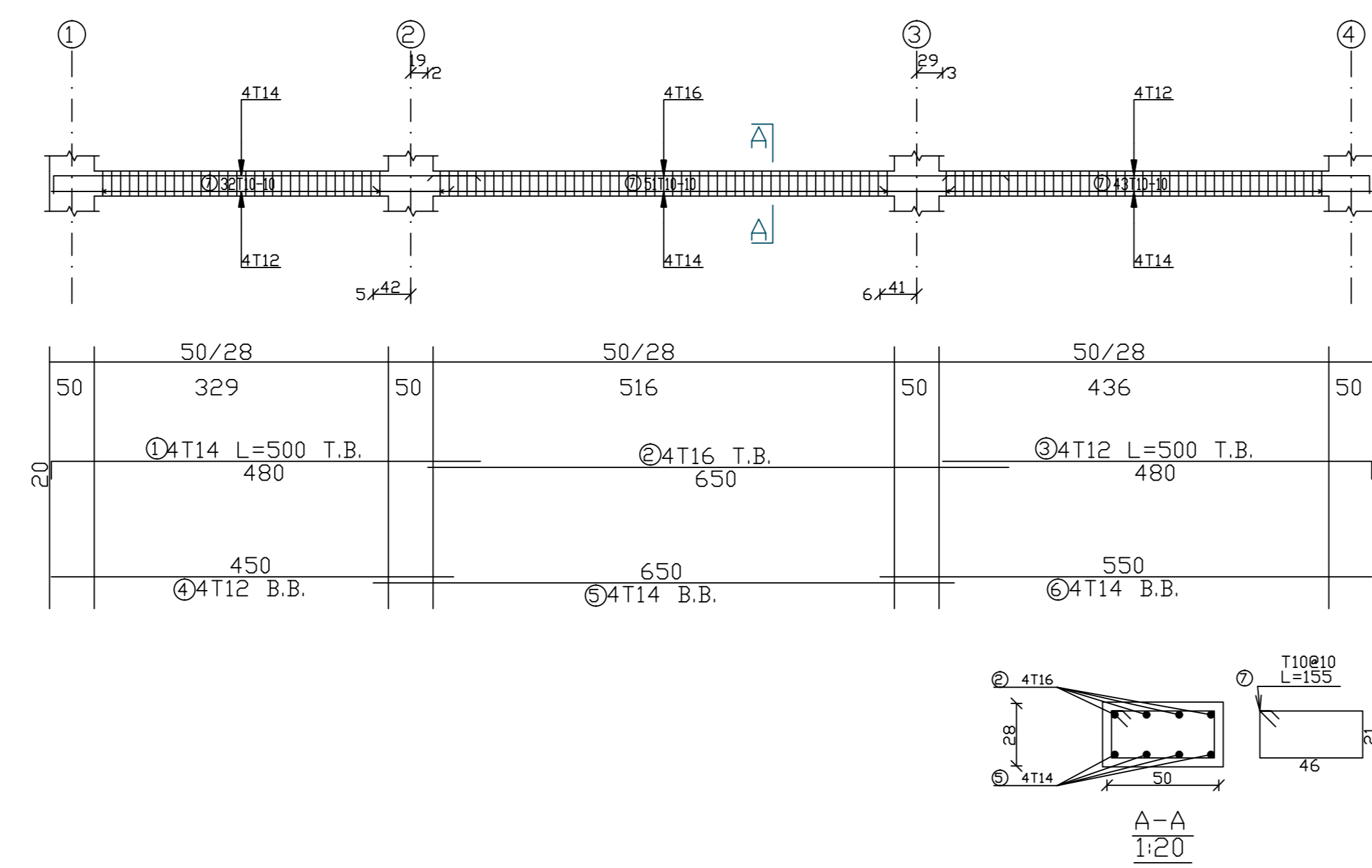
DATE: 23/5/2023

B60(80*28)
Scale 1:50

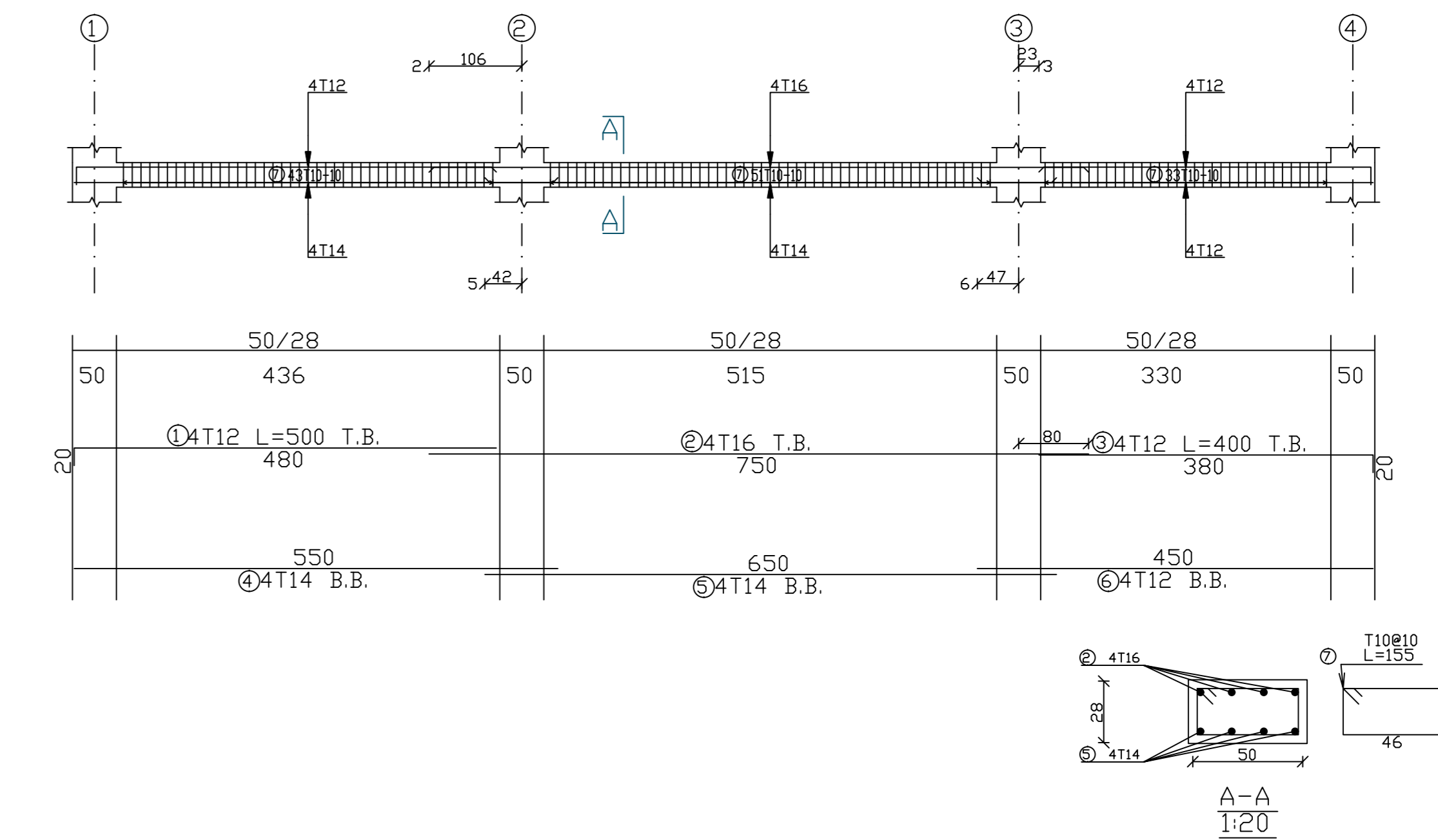
BEAM DETAILS



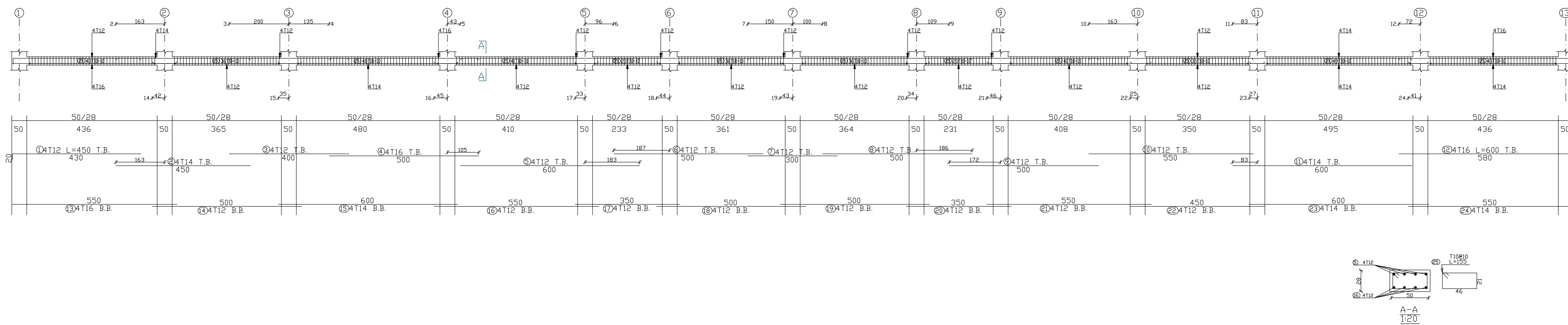
B62(50*28)
Scale 1:50



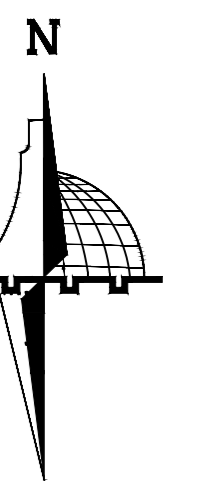
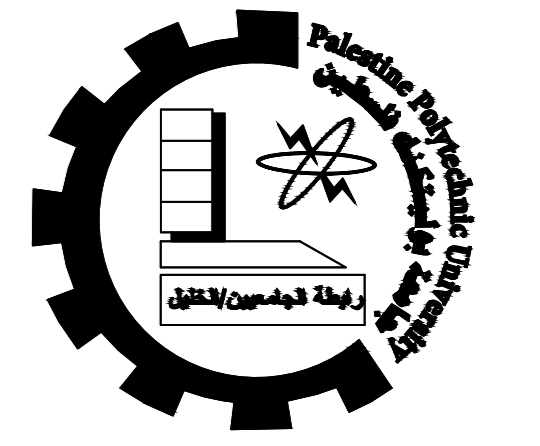
B63(50*28)
Scale 1:50



B61(50*28)
Scale 1:50



Palestine Polytechnic University



project title :
structural design for a commercial
residential building in the city of Hebron

Done by :
Efnad Al-Abed
Qamar Al-Analshah

supervisor:
Eng. Inas shweki

scale:

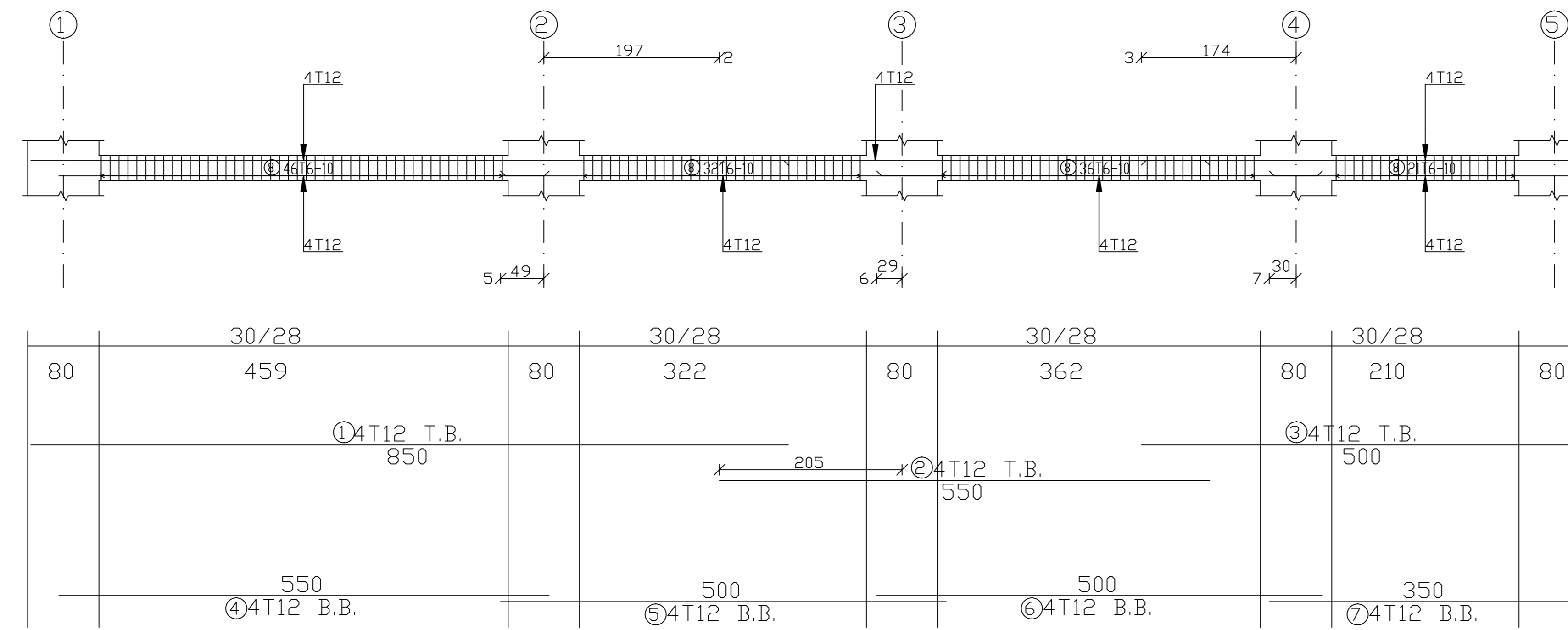
No. of
DRAW

S40

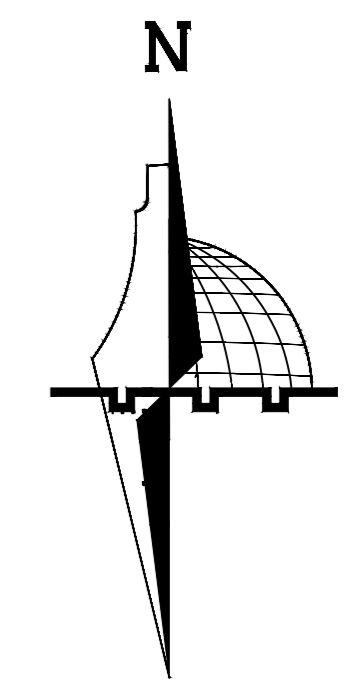
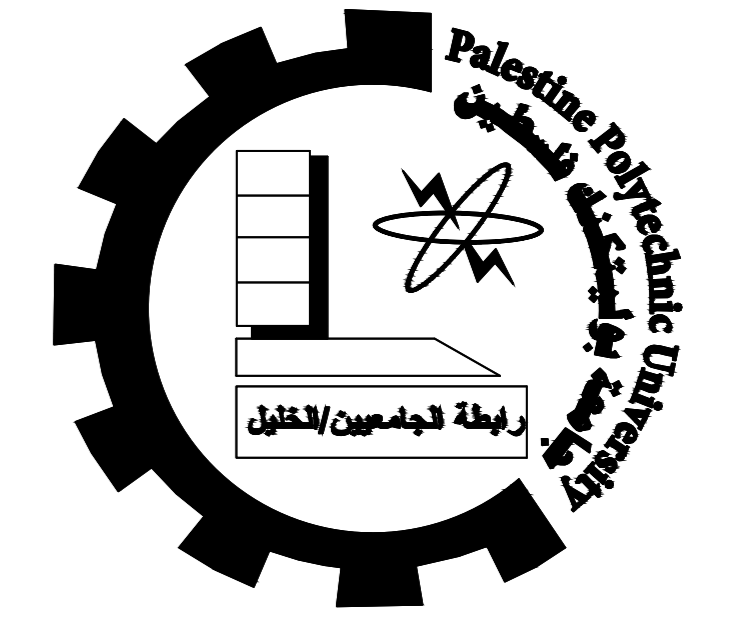
DATE: 23/5/2023

B#B(50*28)
Scale 1:50

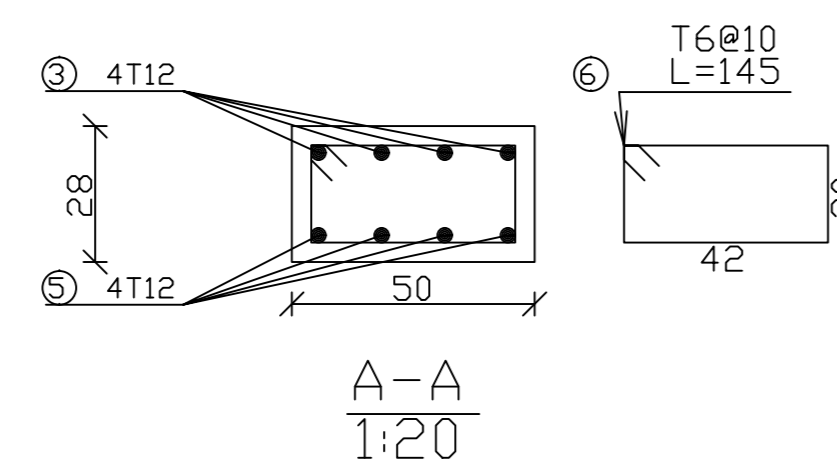
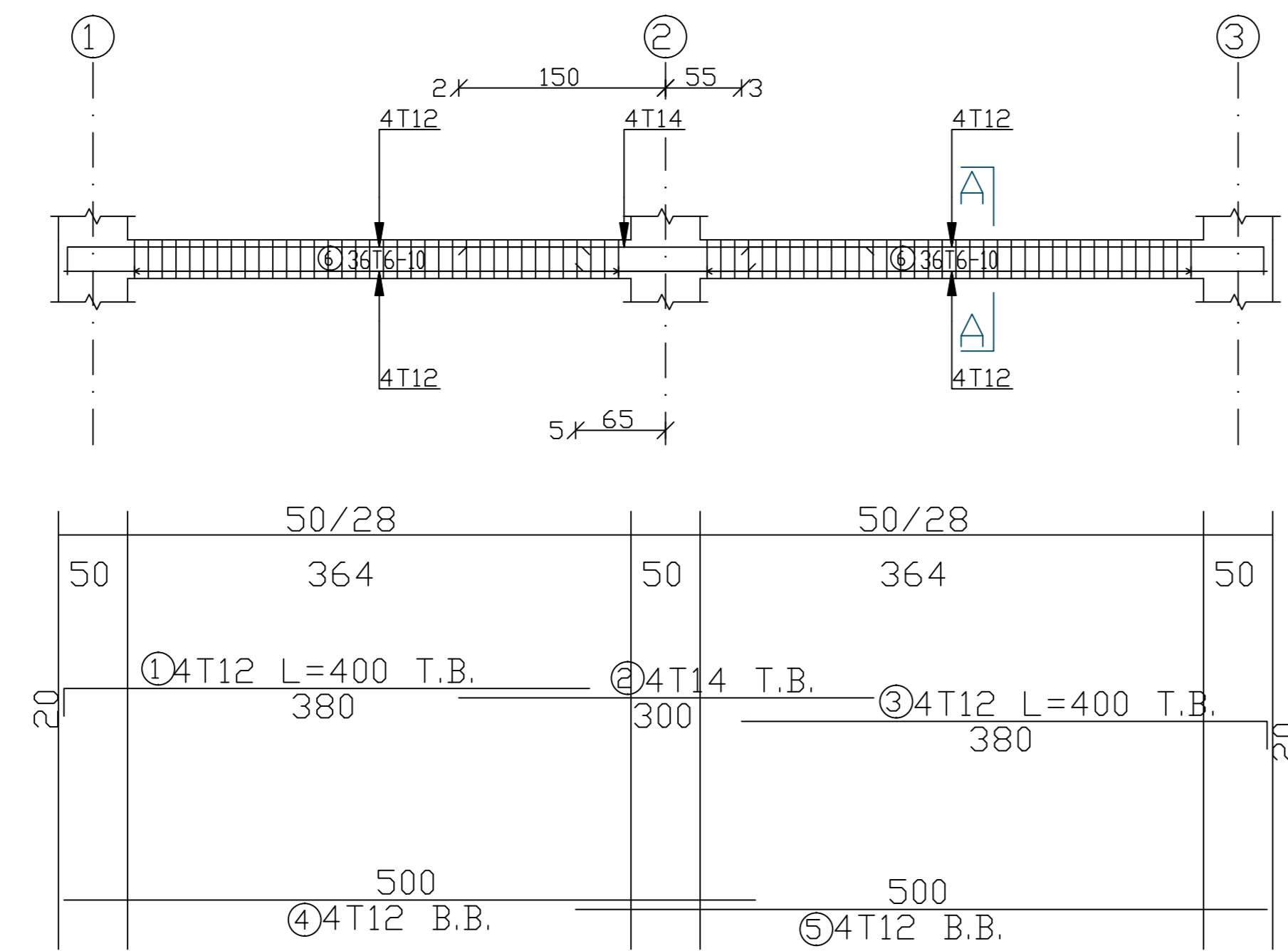
BEAM DETAILS



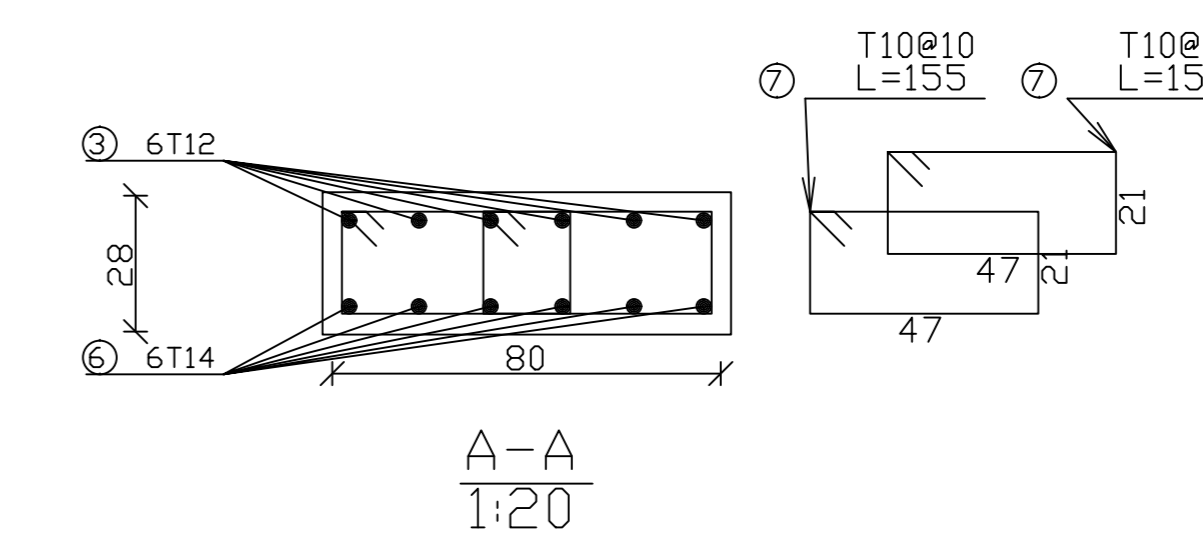
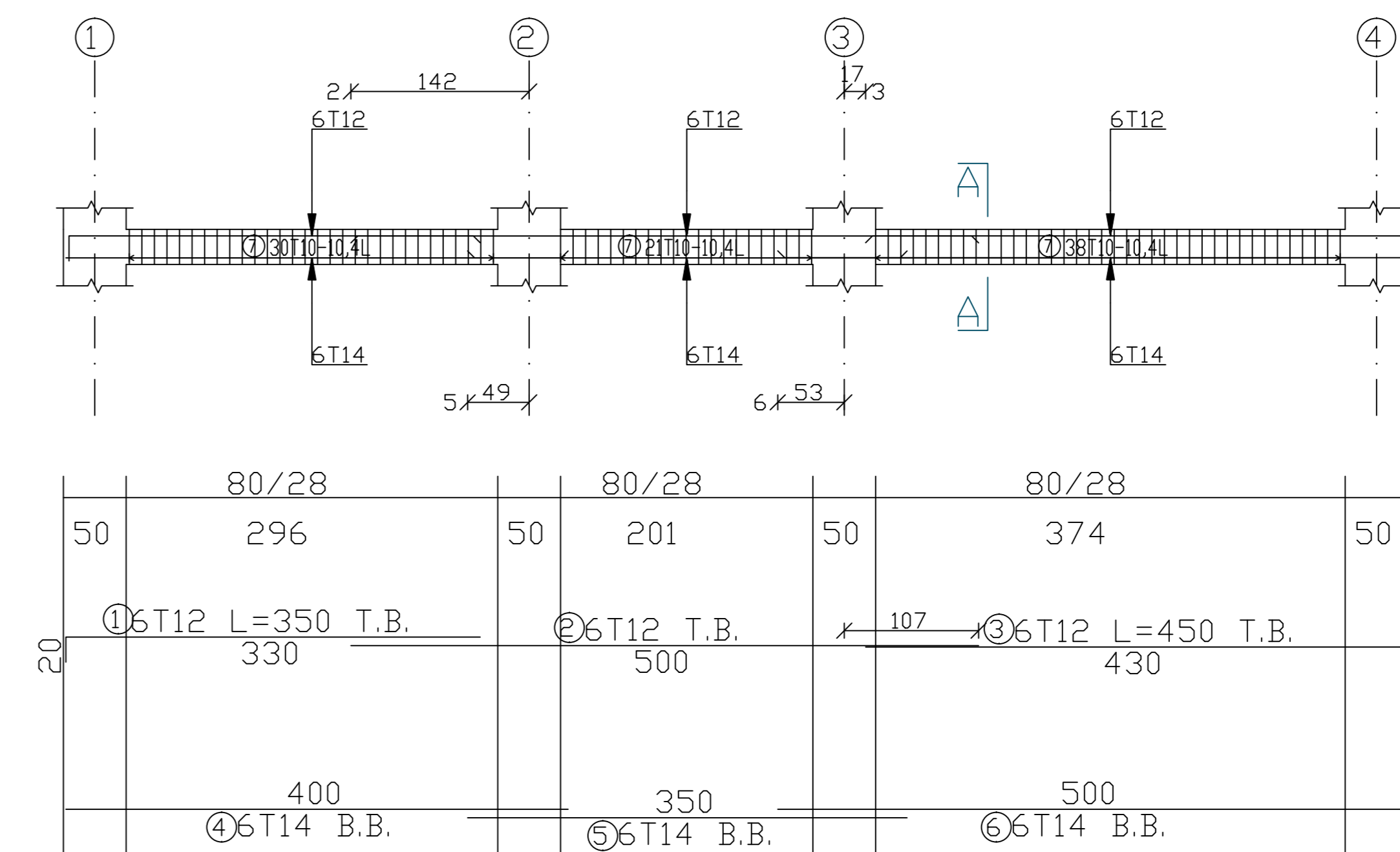
Palestine Polytechnic University



B10*(50*28)
Scale 1:50



B47(80*28)
Scale 1:50



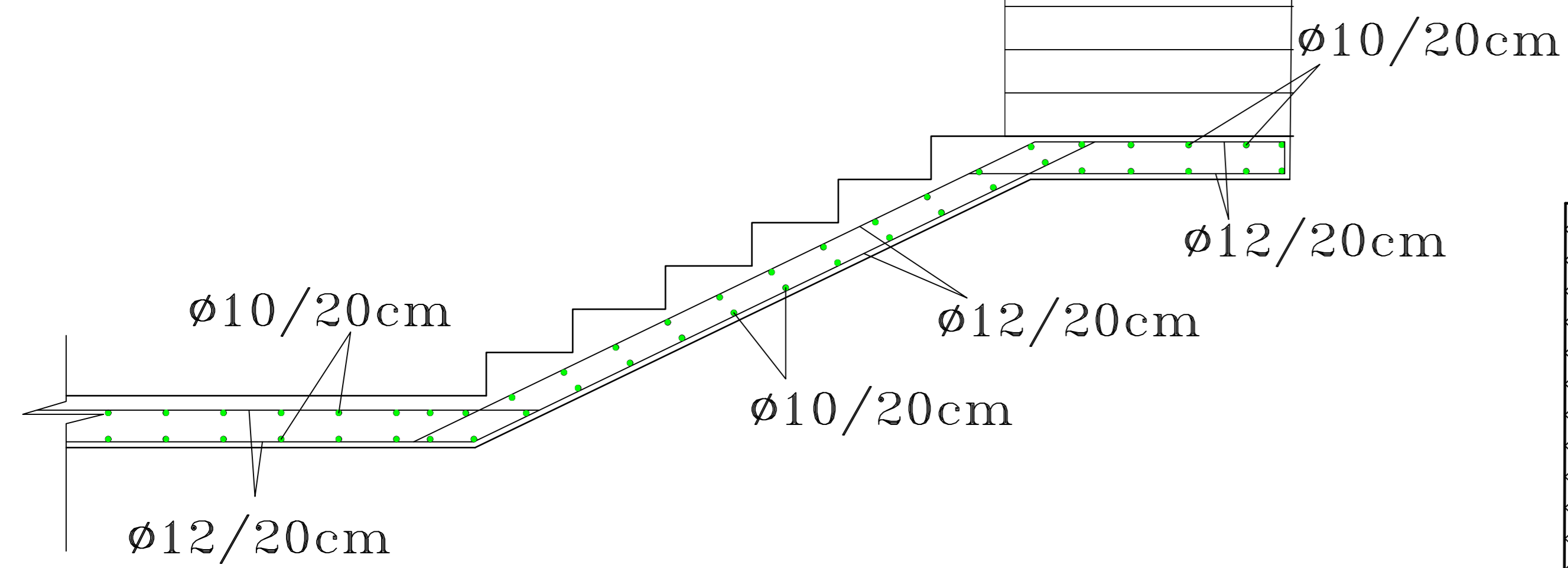
project title :
structural design for a commercial
residential building in the city of Hebron

Done by :
Rinad Al-Abed
Qamar Al-Anatsheh

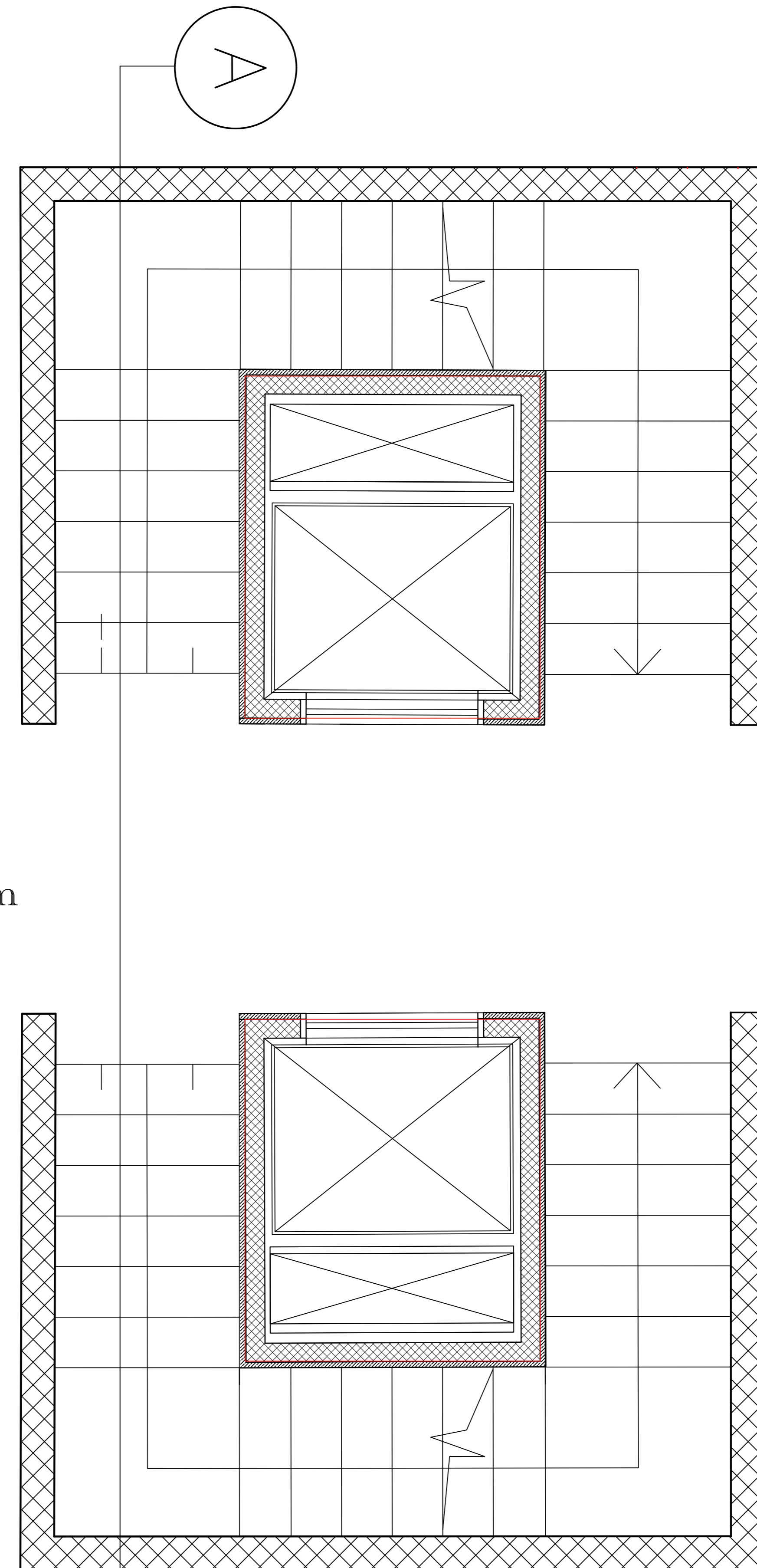
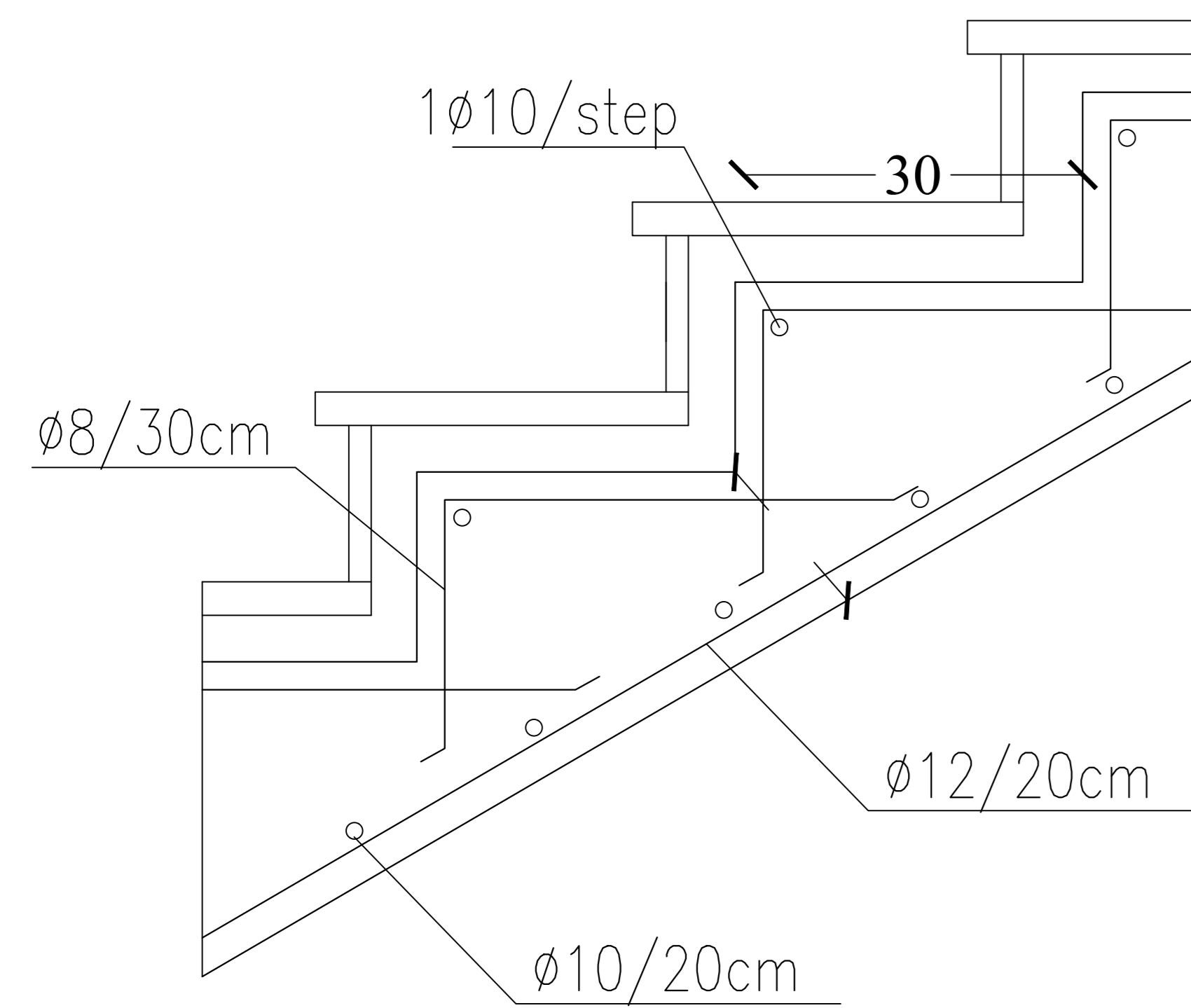
supervisor:
Eng. Inas shweki

scale:
No. of
DRAW **S41**
DATE: 23/5/2023

STAIR DETAILS

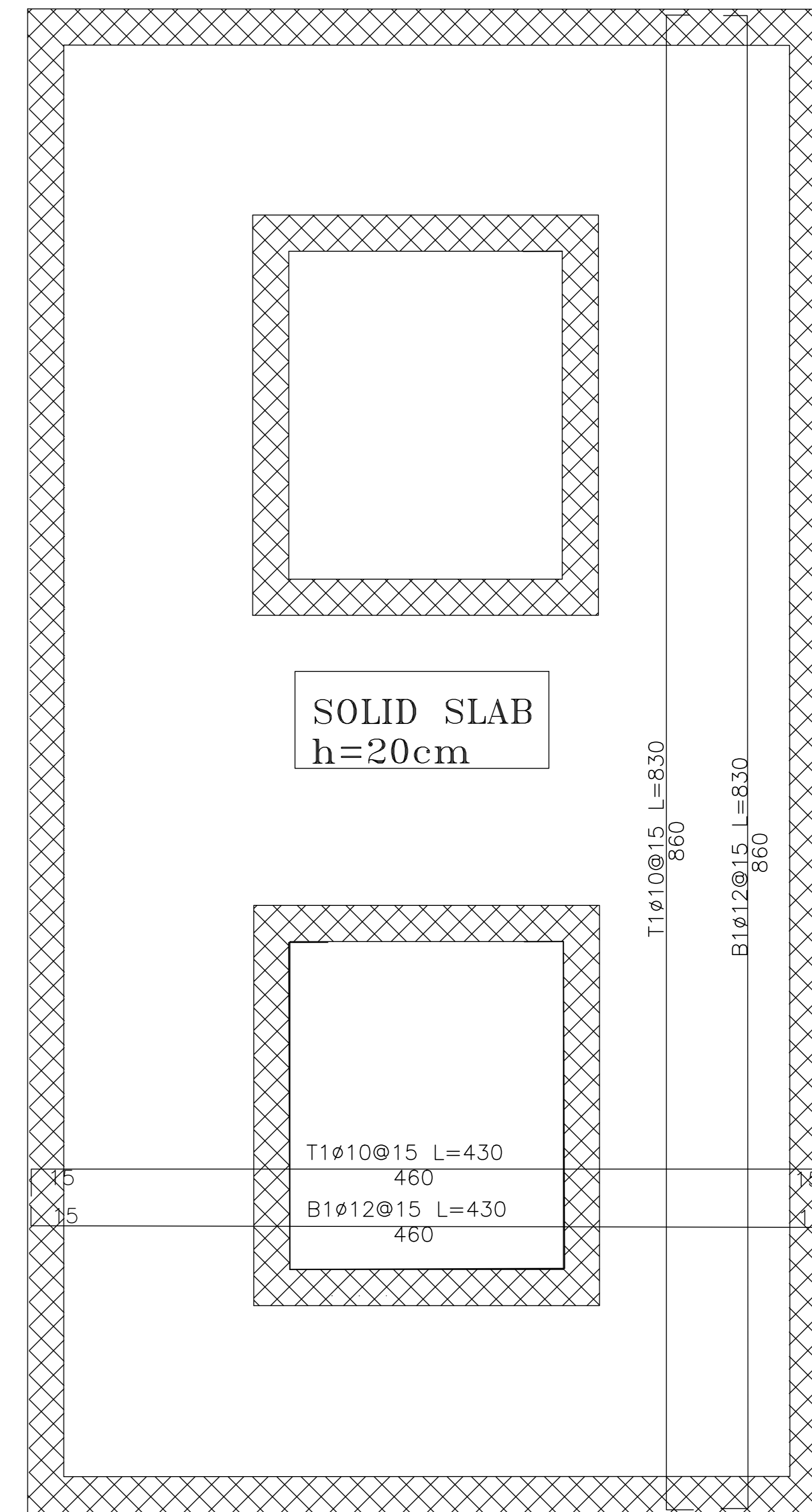


SEC (A-A)



مسقط الدرج الداخلي

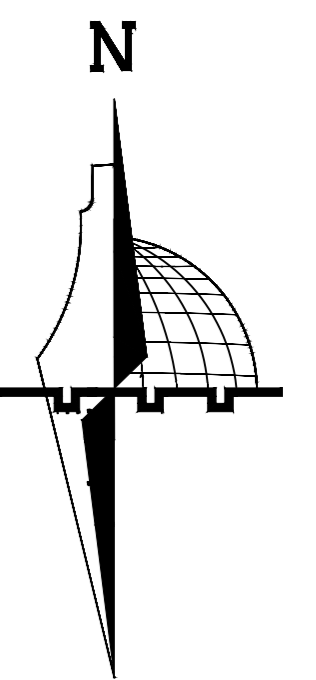
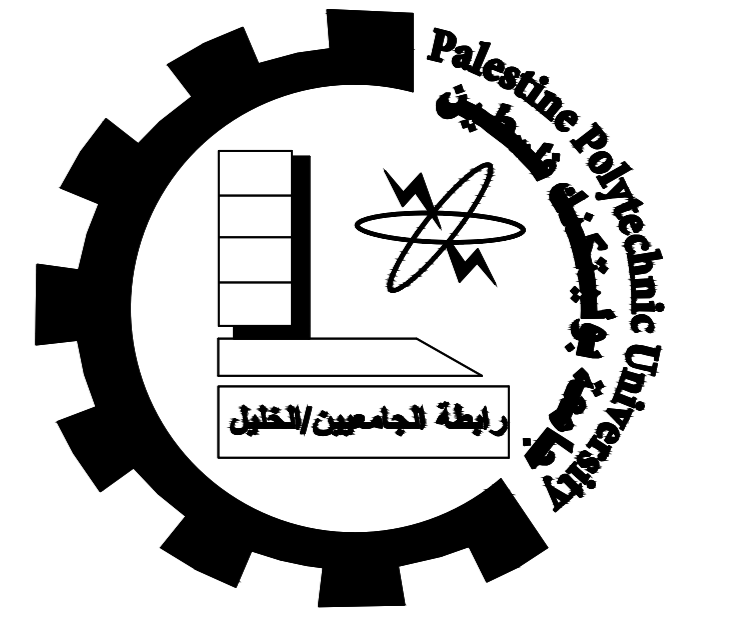
1:50



تسليح عقدة الدرج

1:50

Palestine Polytechnic University



project title :

structural design for a commercial residential building in the city of Hebron

Done by :

Rinad Al-Abed
Qamar Al-Anatsheh

supervisor:

Eng. Inas shweki

scale:

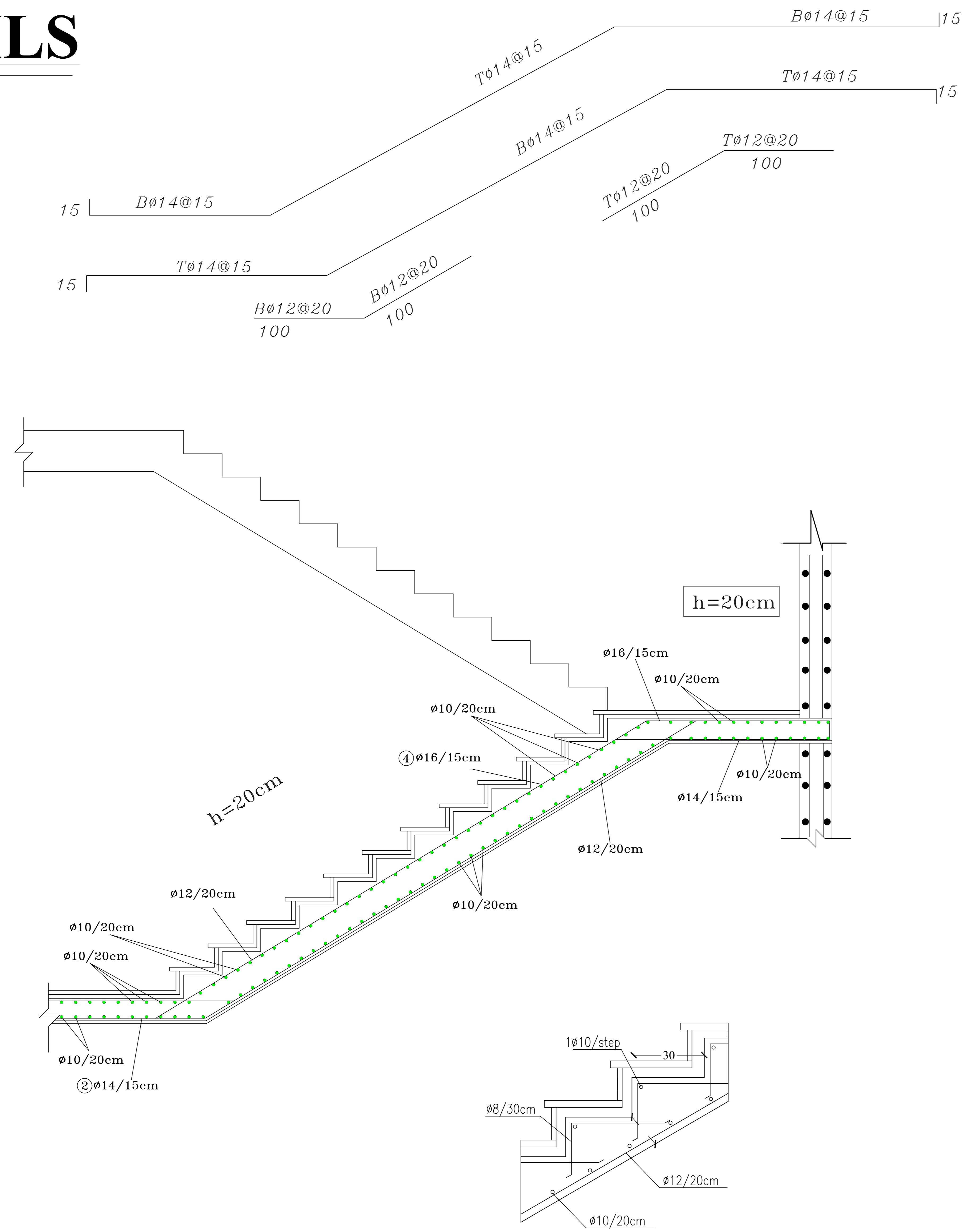
No. of DRAW

S42

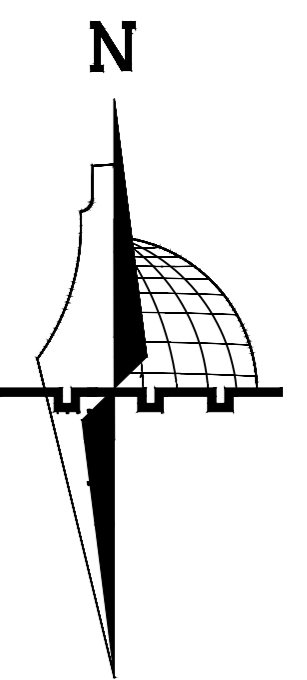
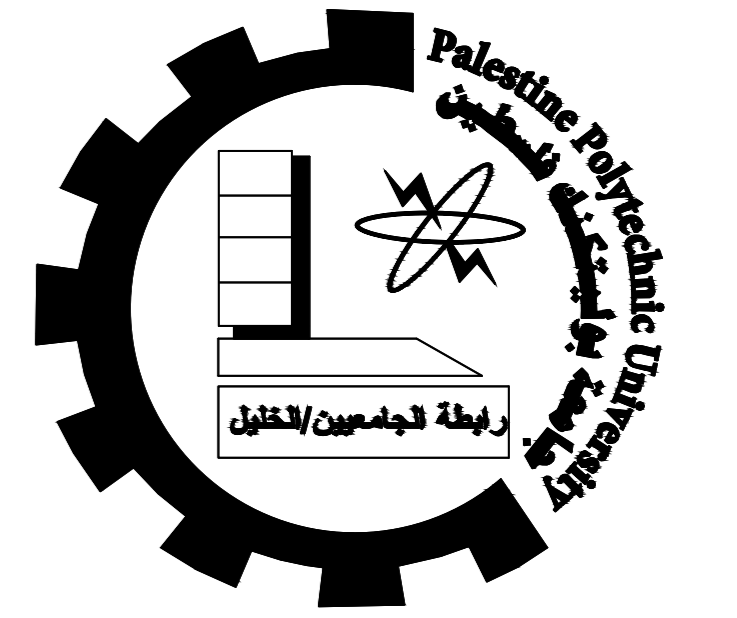
DATE:

23/5/2023

STAIR DETAILS



Palestine Polytechnic University



project title :

structural design for a commercial residential building in the city of Hebron

Done by :

Rinad AL-Abed
Qamar AL-Anatsheh

supervisor:

Eng. Inas shweki

scale:

No. of
DRAW

S43

DATE:

23/5/2023