

Palestine Polytechnic University
Civil. & Arch. Eng. Department
Building Engineering

Residential Commercial Building

Designed By:

Feras Abo-Aljraysh

Noor Beiwat

Anas Jobran

Supervisor :

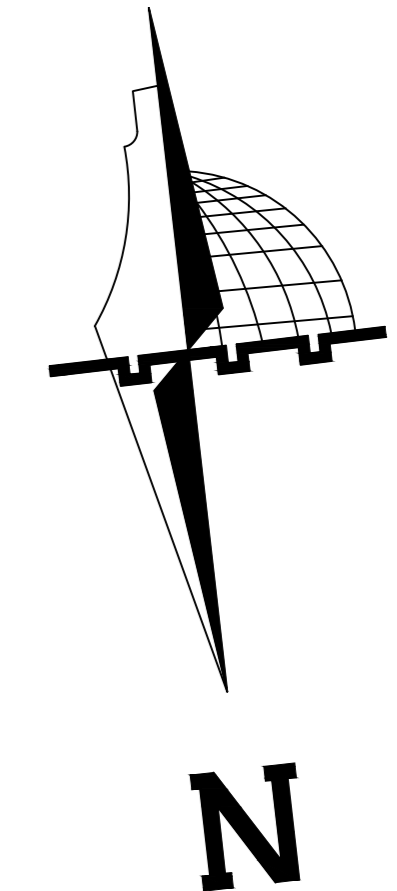
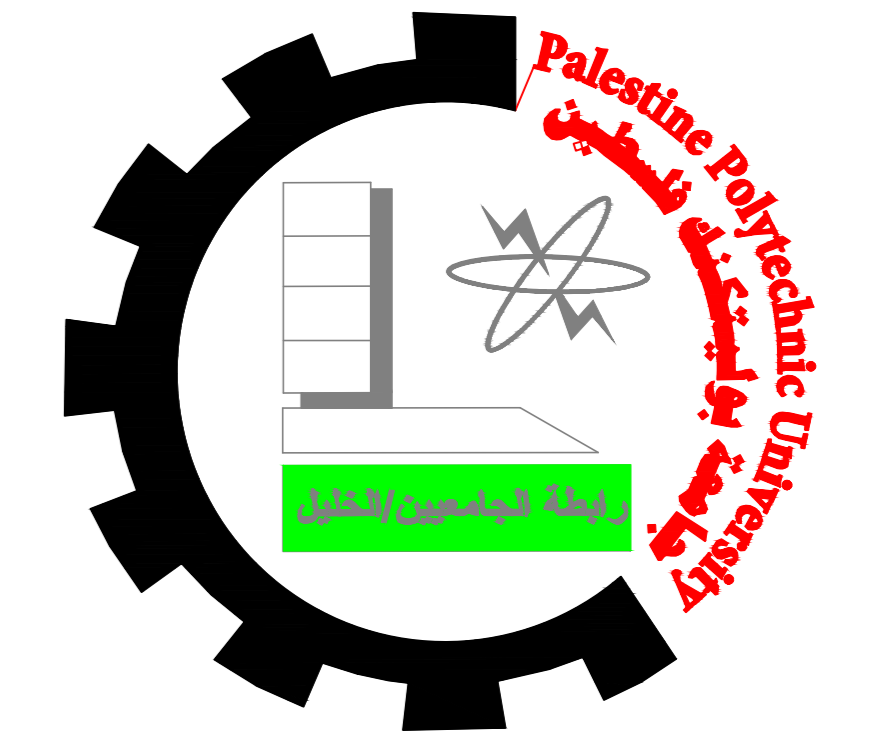
Eng.Mai Haddad

2/6/2021

LIST OF DRAWINGS

ARCHITECTURAL	
DWG.NO.	DWG.TITLE.
A 01	Site Plan
A 02	Second Basment Floor plan (Dimension)
A 03	First Basment Floor plan (Dimension)
A 04	Ground Floor plan (Dimension)
A 05	First Floor plan (Dimension)
A 06	Second Floor plan (Dimension)
A 07	Roof Floor plan (Dimension)
A 08	Second Basment Floor plan (Furniture)
A 09	First Basment Floor plan (Furniture)
A 10	Ground Floor plan (Furniture)
A 11	First Floor plan (Furniture)
A 12	Second Floor plan (Furniture)
A 13	Roof Floor plan (Furniture)
A 14	North Elevation
A 15	East Elevation
A 16	South Elevaion
A 17	West Elevaion
A 18	Section A-A
A 19	Section B-B

Structural	
DWG.NO.	DWG.TITLE.
S 01	Mat Foundations
S(02-05)	Columns Details
S(06-13)	Shear wall Details
S 14	Bassment wall Details
S 15	solid salb Second Basment Floor plan
S 16	Distribution of Rib First Basment Floor plan
S 17	Distribution of Rib Ground Floor plan
S 18	Distribution of Rib First Floor plan
S 19	Distribution of Rib Second Floor plan
S 20	Distribution of Rib Roof Floor plan
S 21	Second Basment Floor plan Details
S 22	First Basment Floor plan Details
S 23	Ground Floor plan Details
S 24	First Floor plan Details
S 25	Second Floor plan Details
S 26	Roof Floor plan Details
S 27-52	Beams Details
S 53	Stairs Details



NOTES:

All Dimensions are in meters unless otherwise shown.

All spot levels are in meters.

Palestine Polytechnic University
Civil. & Arch. Eng. Department
Building Engineering

Project:

Residential Commercial Building

Designed By:

Feras Abo-Aljraysh
Noor Beiwat
Anas Jobran

Supervisor :

Eng.Mai Haddad

Drawing Title :

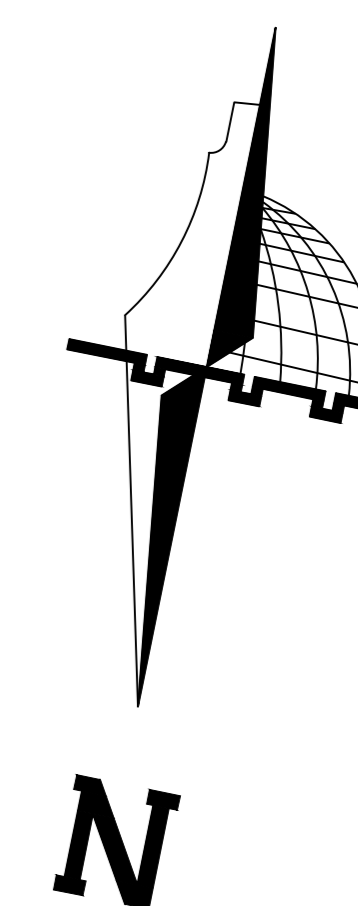
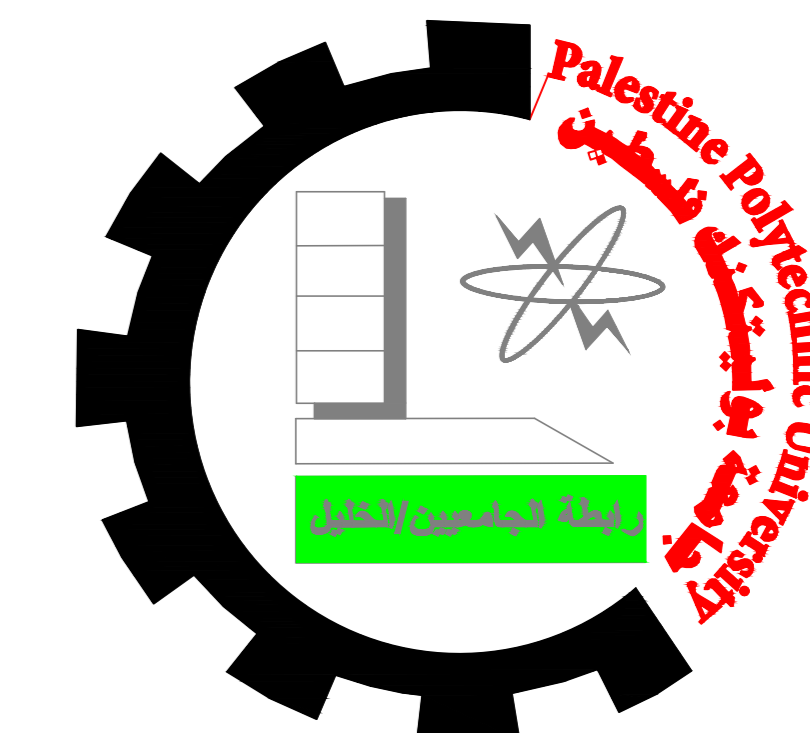
Mat Foundations

Drawing No :

00

Date : 2/6/2021

View scale 1/100



NOTES:

All Dimensions are in meters unless otherwise shown.
All spot levels are in meters.

Palestine Polytechnic University
Civil. & Arch. Eng. Department
Building Engineering

Project:

Residential Commercial Building

Designed By:

Feras Abo-Aljaysh
Noor Beiwat
Anas Jobran

Supervisor:

Eng.Mai Haddad

Drawing Title:

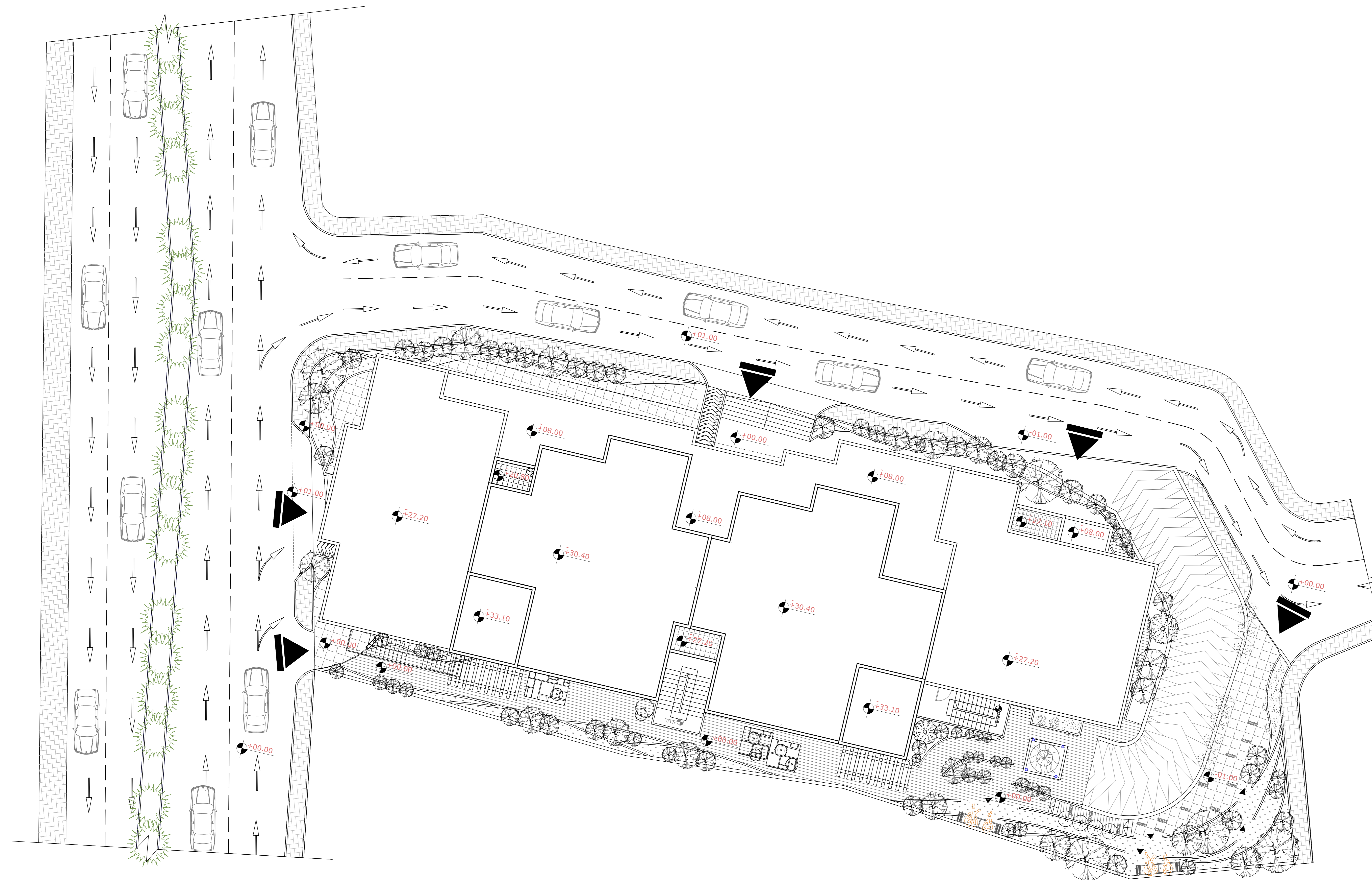
Site Plan

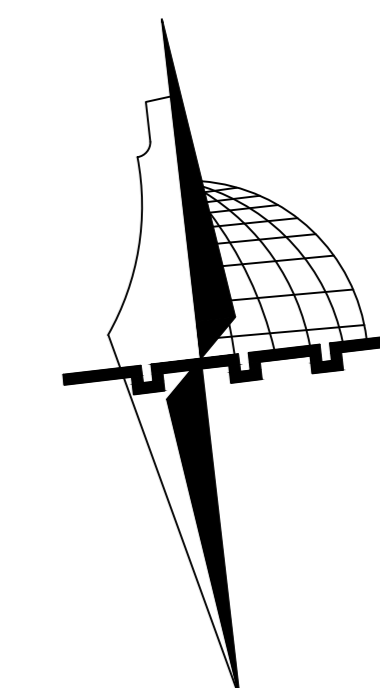
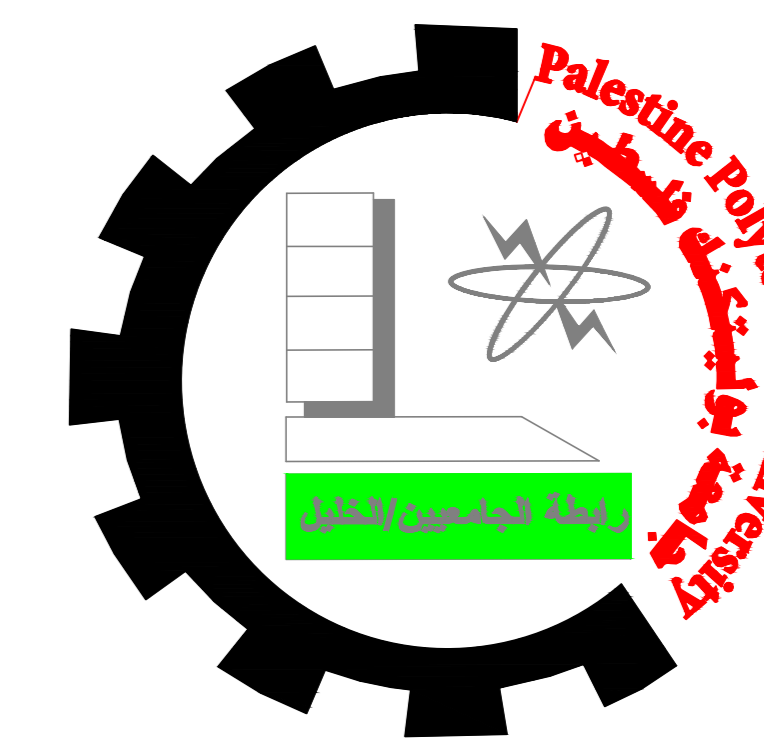
Drawing No.:

A 01

Date : 2/6/2021

View scale 1/100





N

NOTES:

All Dimensions are in meters unless otherwise shown.

All spot levels are in meters.

Palestine Polytechnic University
Civil. & Arch. Eng. Department

Building Engineering

Project:

Residential Commercial Building

Designed By:

Feras Abo-Aljraysh
Noor Beiwat
Anas Jobran

Supervisor:

Eng.Mai Haddad

Drawing Title:

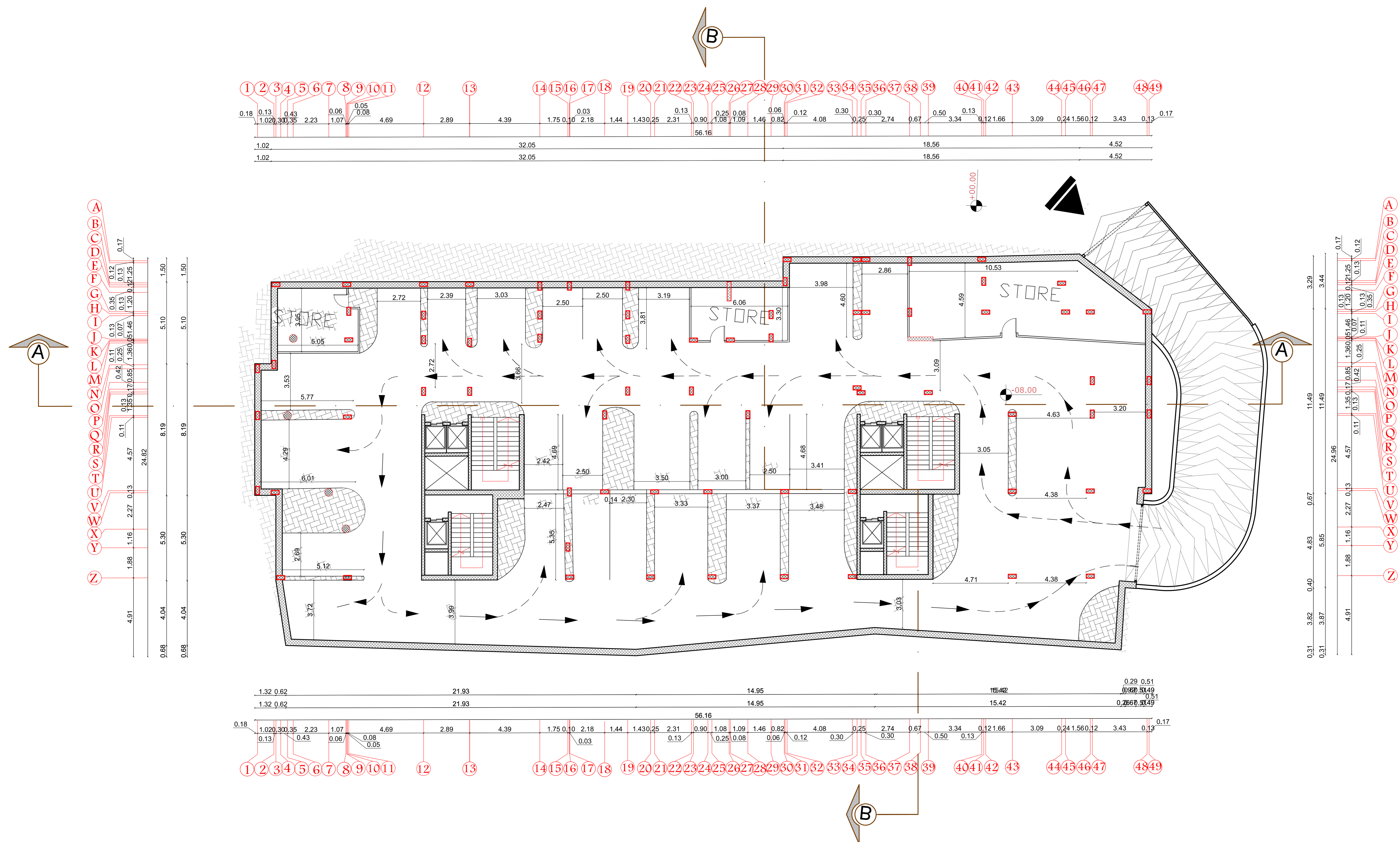
Second Basment Floor plan
(Dimension)

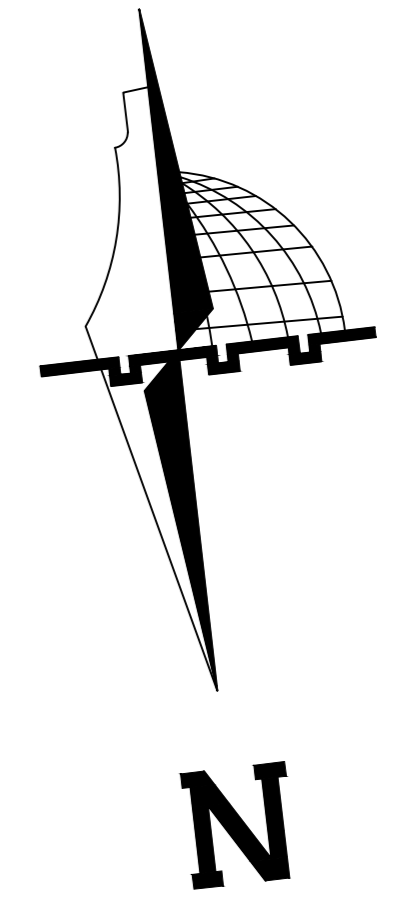
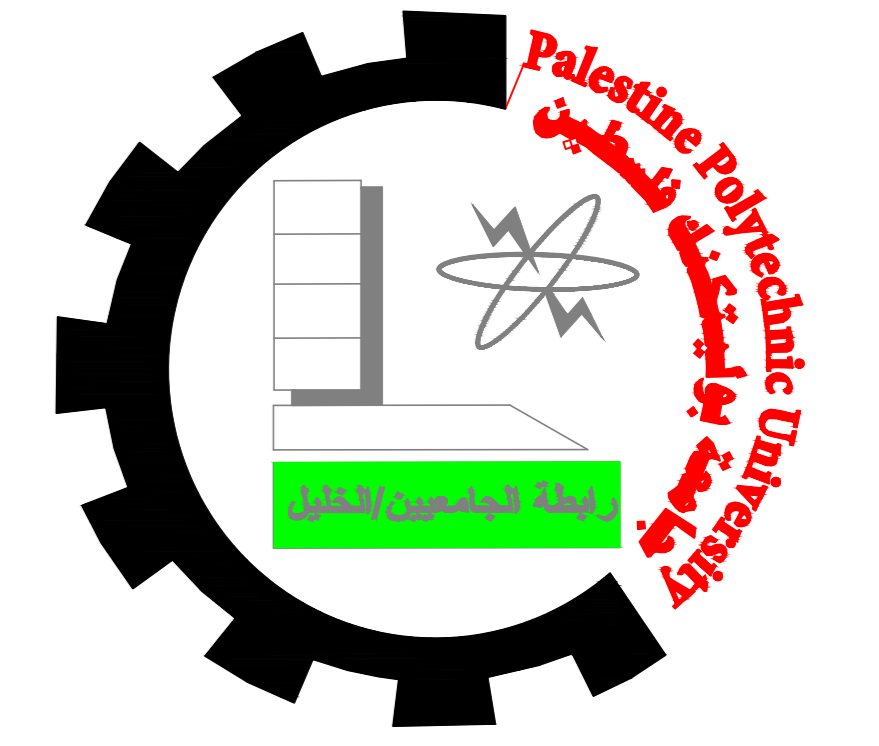
Drawing No.:

A 02

Date : 2/6/2021

View scale 1/100





NOTES:

All Dimensions are in meters unless otherwise shown.
All spot levels are in meters.

Palestine Polytechnic University
Civil. & Arch. Eng. Department
Building Engineering

Project :

Residential Commercial Building

Designed By :

Feras Abo-Aljraysh
Noor Beiwat
Anas Jobran

Supervisor :

Eng.Mai Haddad

Drawing Title :

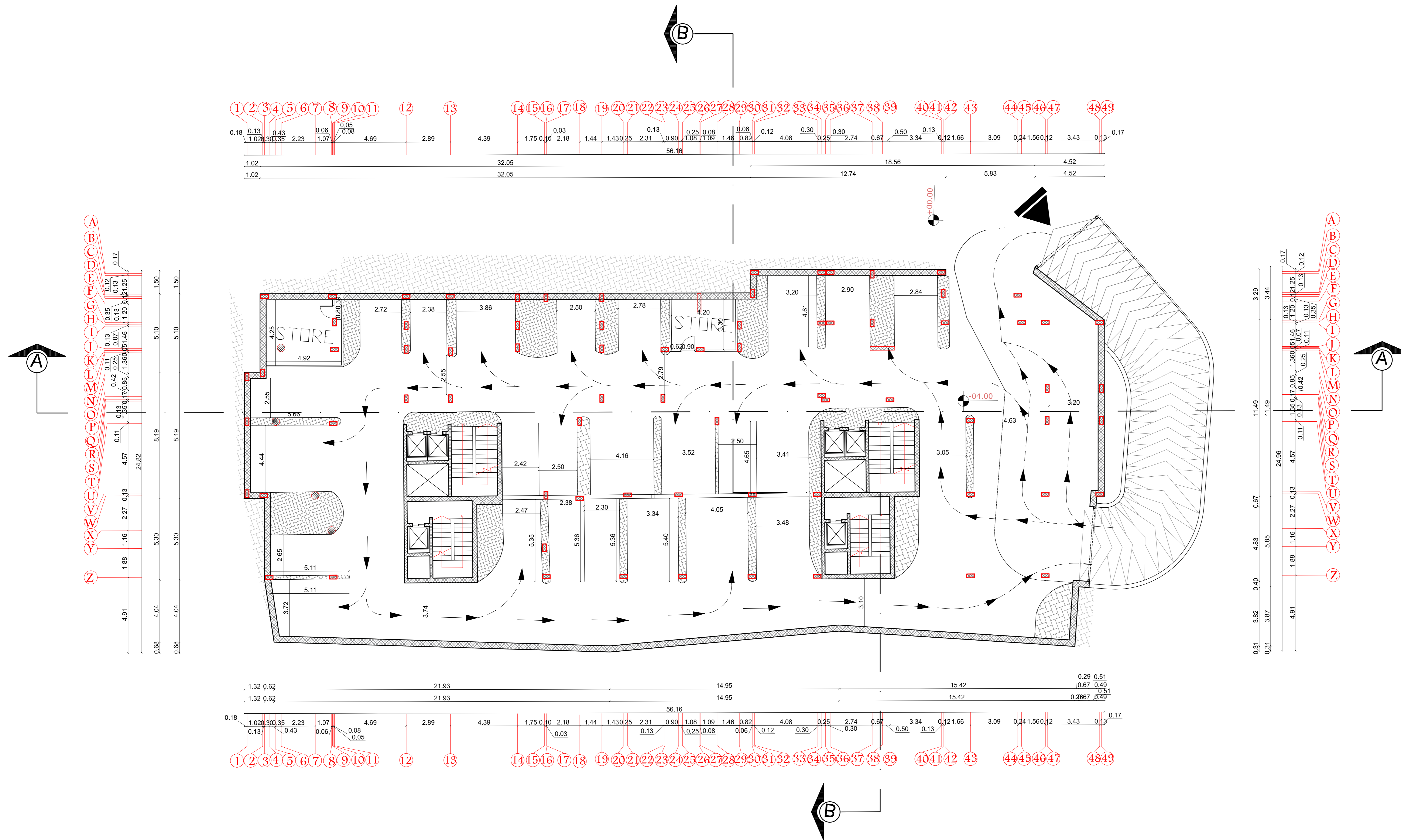
First Basment Floor plan
(Dimension)

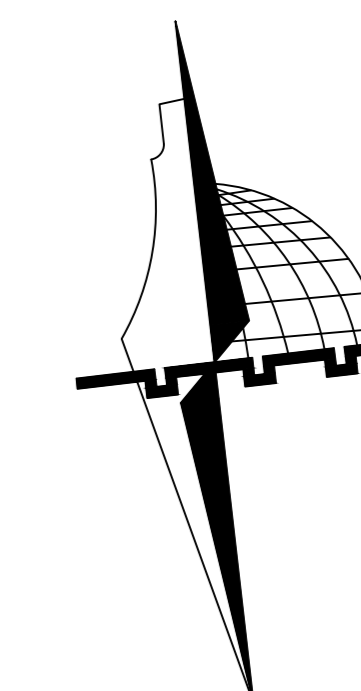
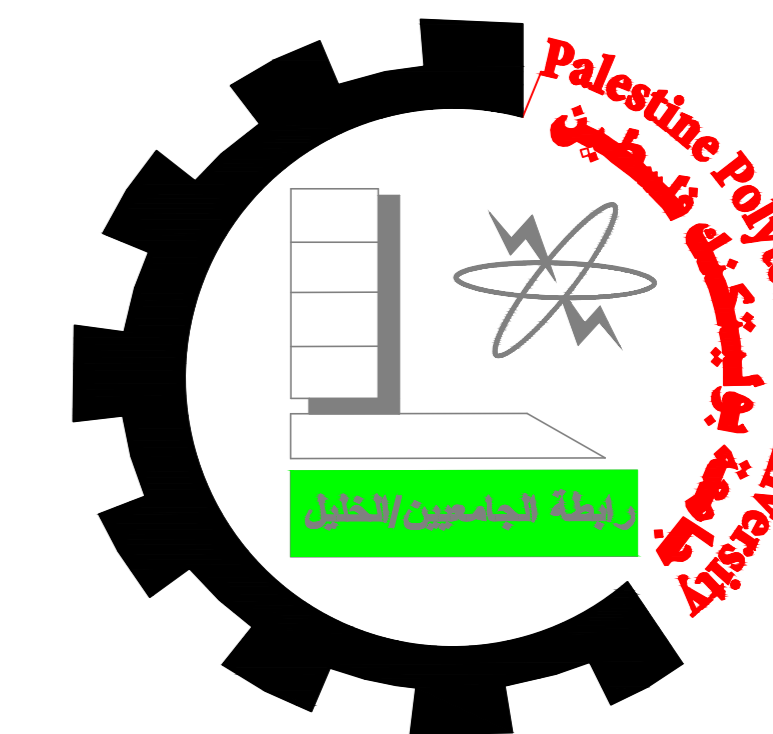
Drawing No :

A 03

Date : 2/6/2021

View scale 1/100





N

NOTES:

All Dimensions are in meters unless otherwise shown.
All spot levels are in meters.

Palestine Polytechnic University
Civil. & Arch. Eng. Department
Building Engineering

Project:
Residential Commercial Building

Designed By:
Feras Abo-Aljaysh
Noor Beiwat
Anas Jobran

Supervisor:
Eng.Mai Haddad

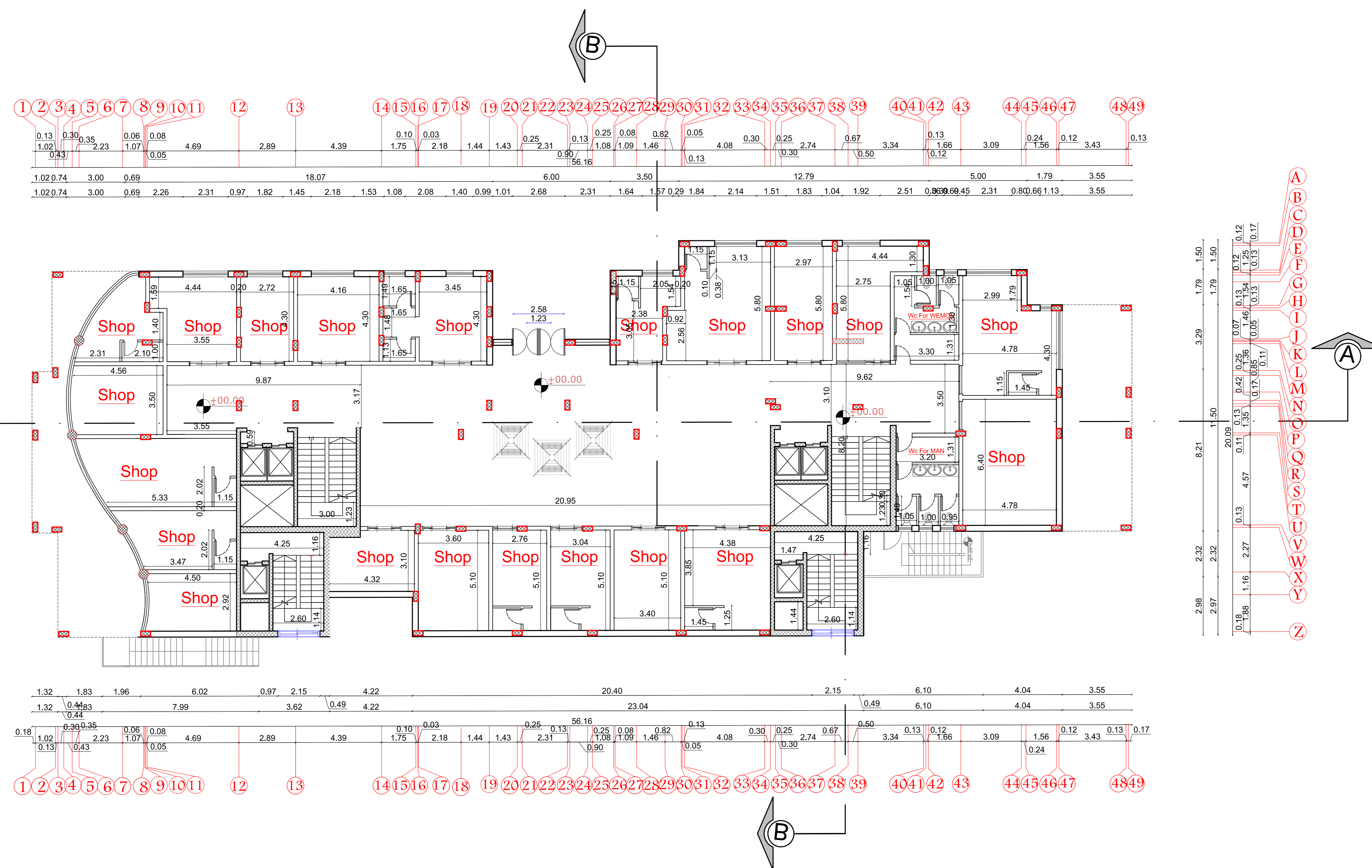
Drawing Title:
Ground Floor plan
(Dimension)

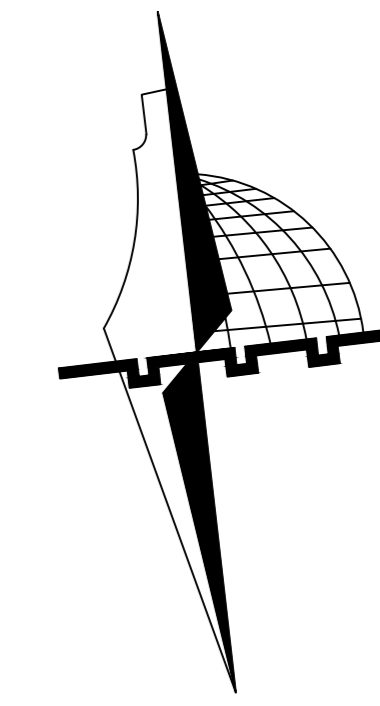
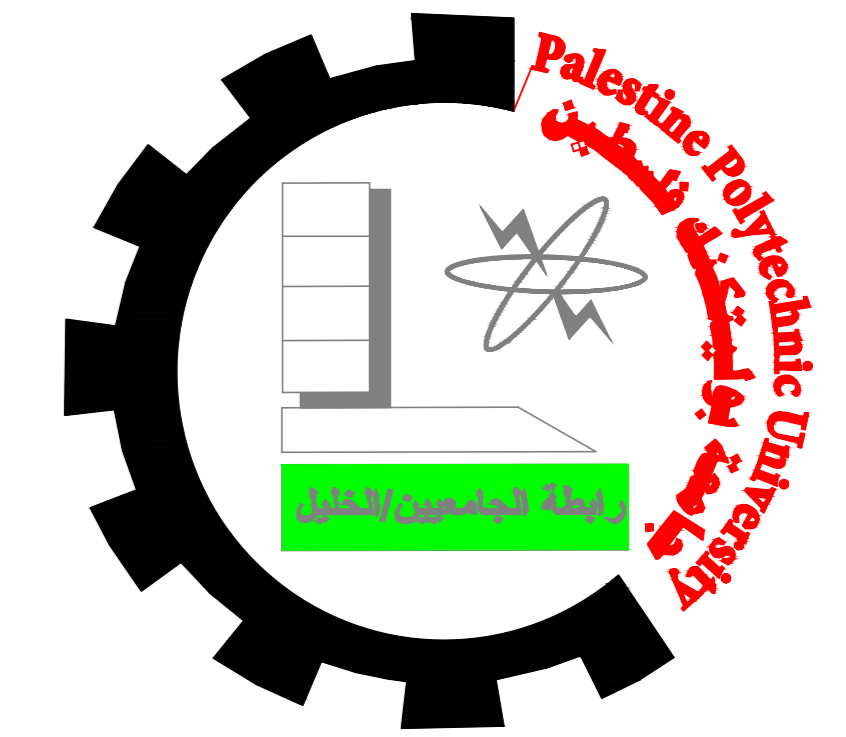
Drawing No.:

A 04

Date : 2/6/2021

View scale 1/100





N

NOTES:

All Dimensions are in meters unless otherwise shown.

All spot levels are in meters.

Palestine Polytechnic University
Civil. & Arch. Eng. Department

Building Engineering

Project:

Residential Commercial Building

Designed By:

Feras Abo-Aljraysh
Noor Beiwat
Anas Jobran

Supervisor:

Eng.Mai Haddad

Drawing Title:

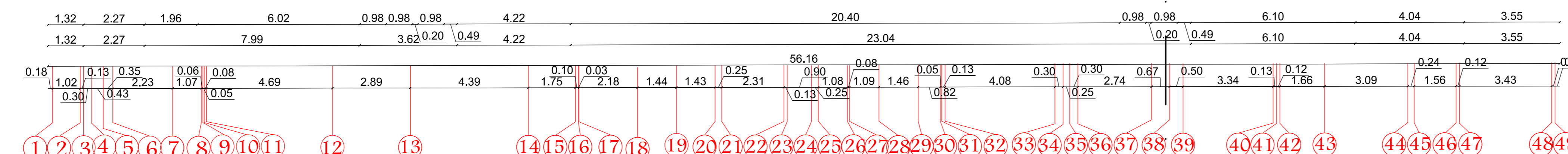
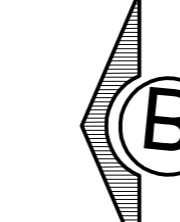
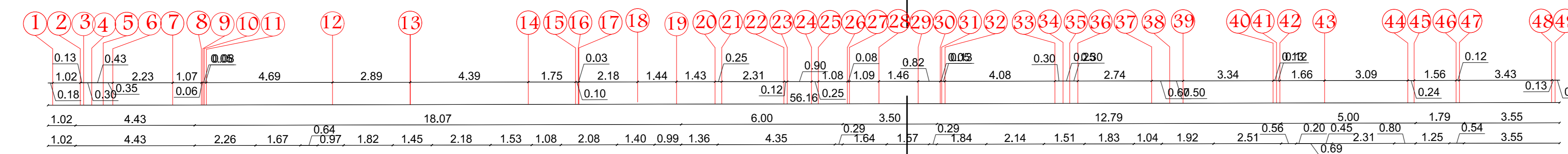
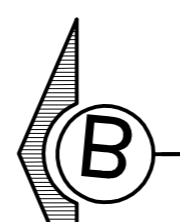
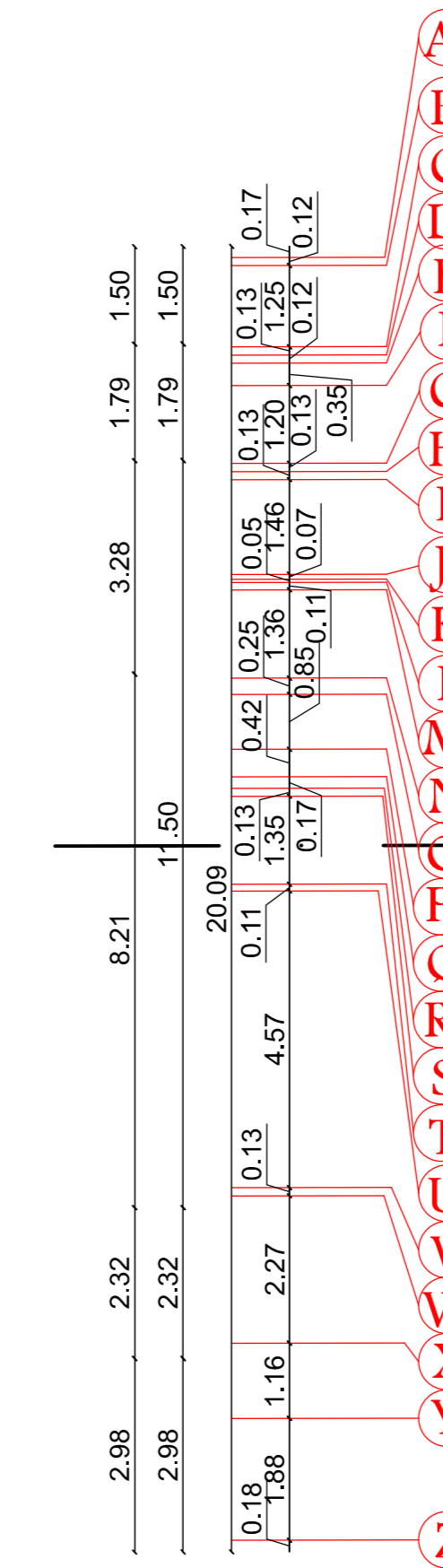
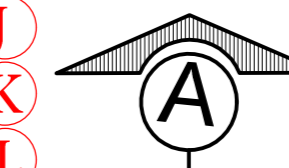
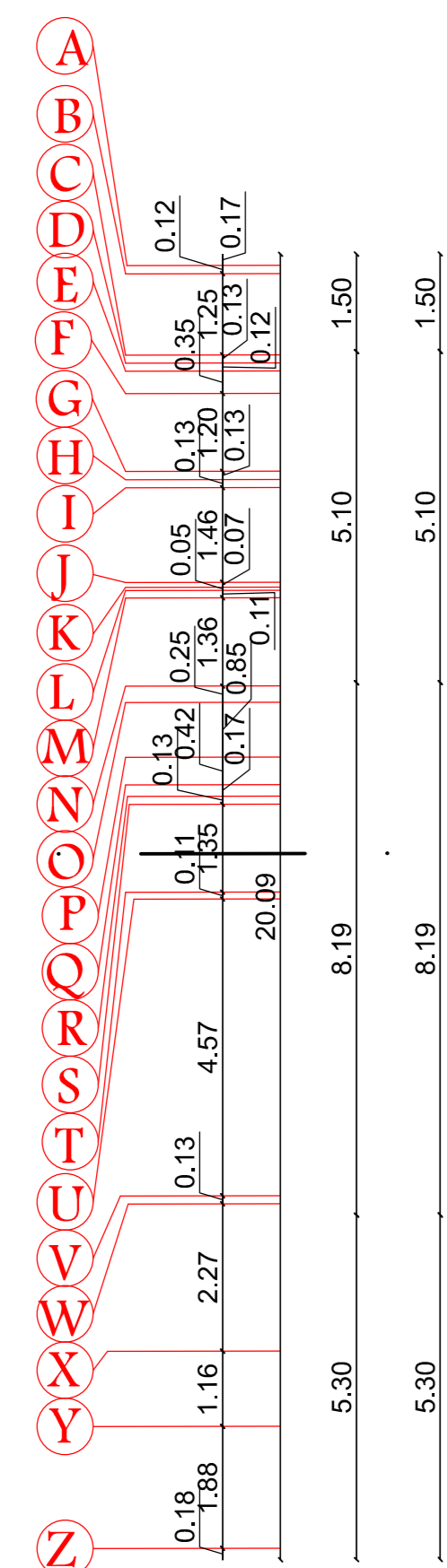
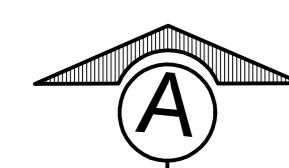
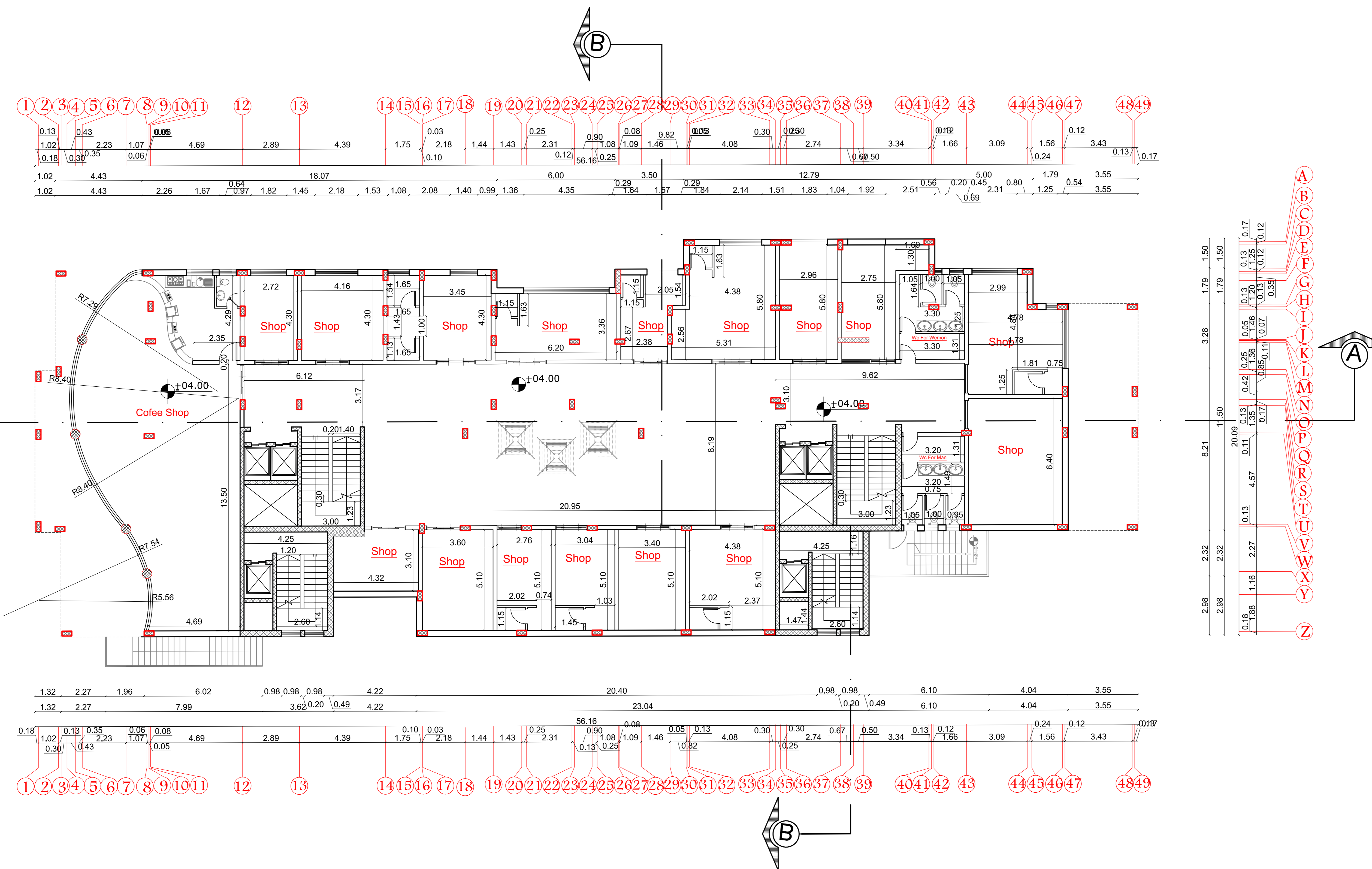
First Floor plan
(Dimension)

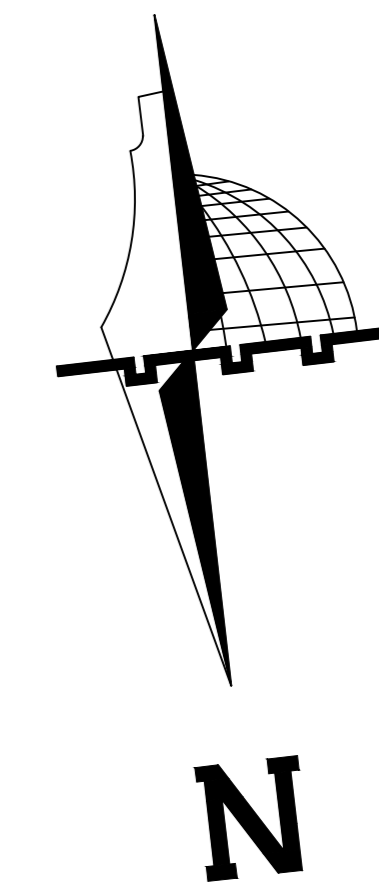
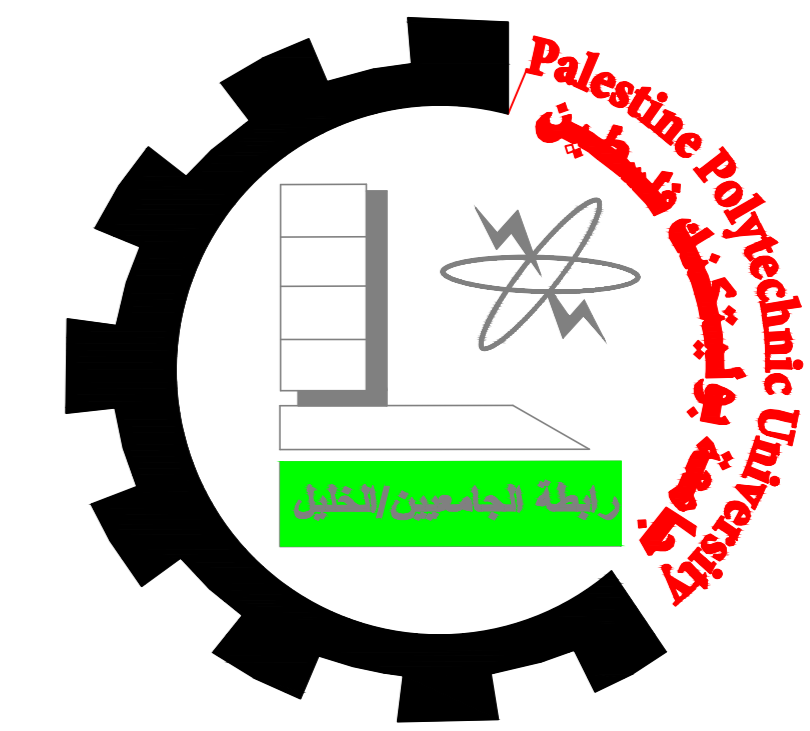
Drawing No.:

A 05

Date : 2/6/2021

View scale 1/100





NOTES:

All Dimensions are in meters unless otherwise shown.
All spot levels are in meters.

Palestine Polytechnic University
Civil. & Arch. Eng. Department
Building Engineering

Project:
Residential Commercial Building

Designed By:
Feras Abo-Aljraysh
Noor Beiwat
Anas Jobran

Supervisor:
Eng.Mai Haddad

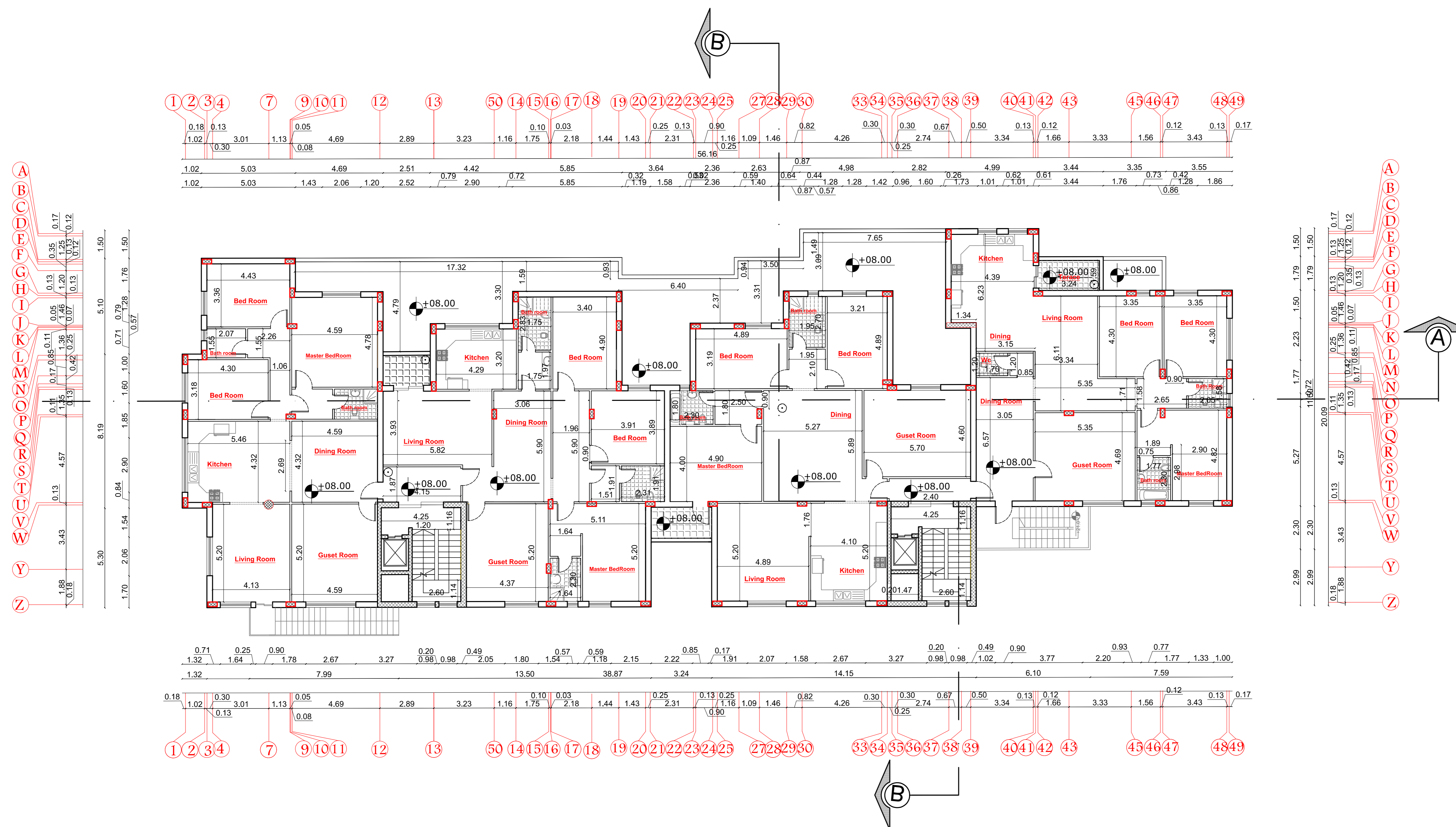
Drawing Title:
Second Floor plan
(Dimension)

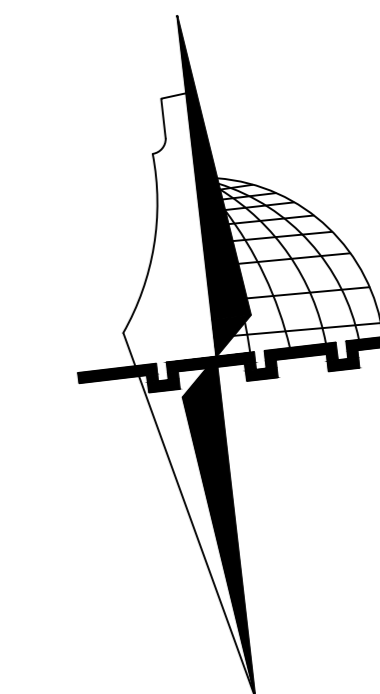
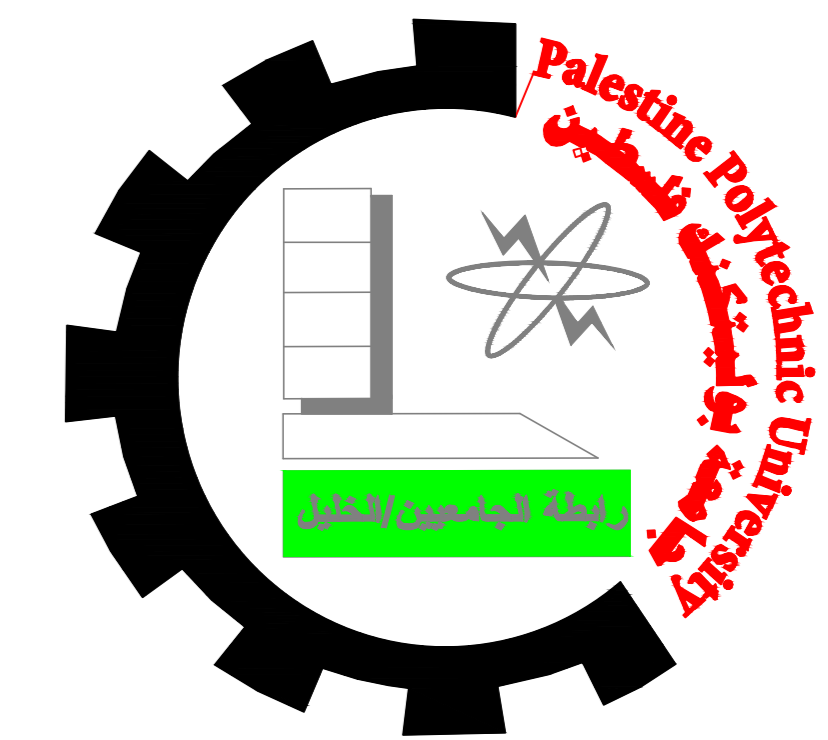
Drawing No.:

A 06

Date : 2/6/2021

View scale 1/100





N

NOTES:

All Dimensions are in meters
unless otherwise shown.
All spot levels are in meters.

Palestine Polytechnic University
Civil. & Arch. Eng. Department
Building Engineering

Project:
Residential Commercial Building

Designed By:
Feras Abo-Aljrash
Noor Beiwat
Anas Jobran

Supervisor:
Eng. Mai Haddad

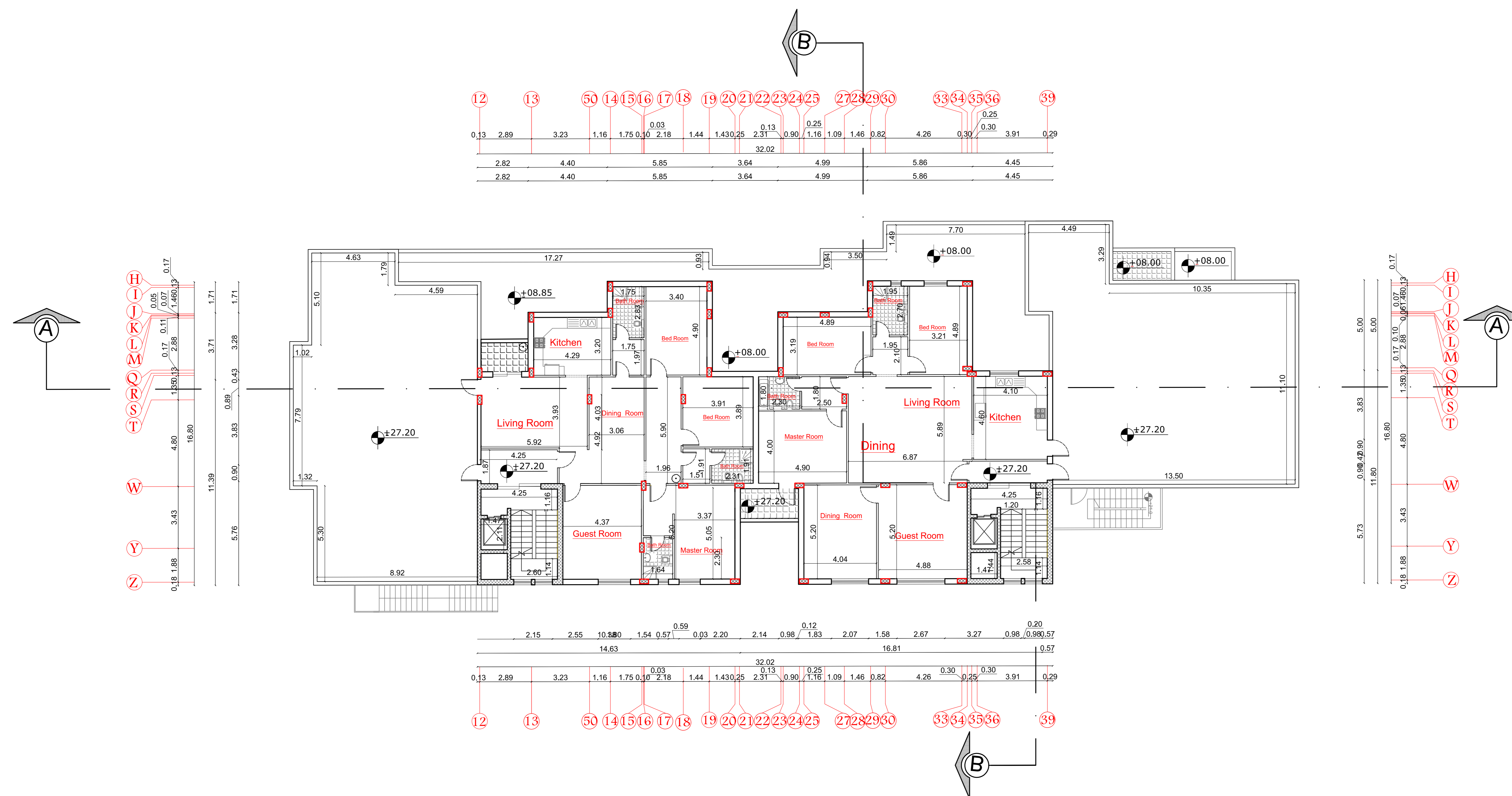
Drawing Title:
Roof Floor plan
(Dimension)

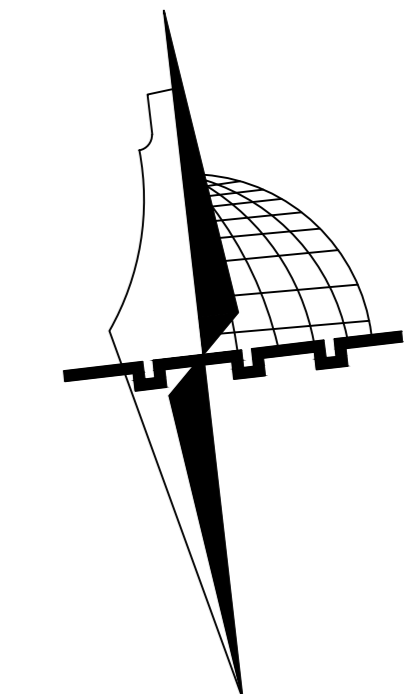
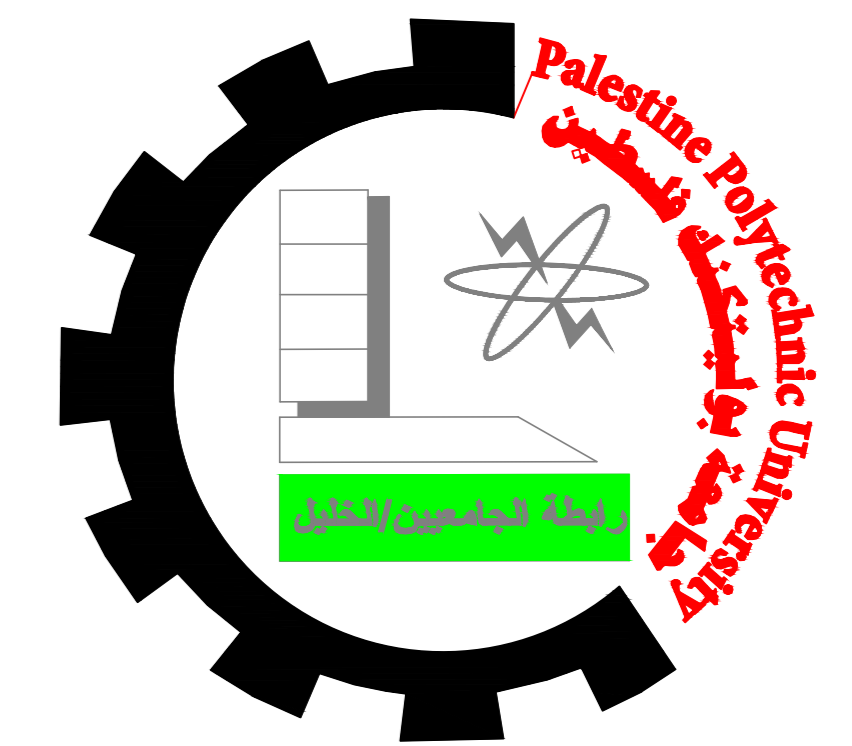
Drawing No.:

A 07

Date: 2/6/2021

View scale: 1/100





N

NOTES:

All Dimensions are in meters unless otherwise shown.
All spot levels are in meters.

Palestine Polytechnic University
Civil. & Arch. Eng. Department

Building Engineering

Project :

Residential Commercial Building

Designed By:

Feras Abo-Aljaysh
Noor Beiwat
Anas Jobran

Supervisor :

Eng.Mai Haddad

Drawing Title :

Second Basment Floor plan
(Furniture)

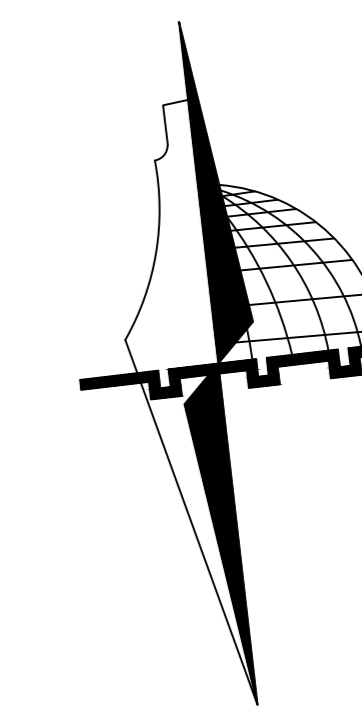
Drawing No :

A 08

Date : 2/6/2021

View scale 1/100





N

NOTES:

All Dimensions are in meters
unless otherwise shown.
All spot levels are in meters.

Palestine Polytechnic University
Civil. & Arch. Eng. Department
Building Engineering

Project:
Residential Commercial Building

Designed By:
Feras Abo-Aljraysh
Noor Beiwat
Anas Jobran

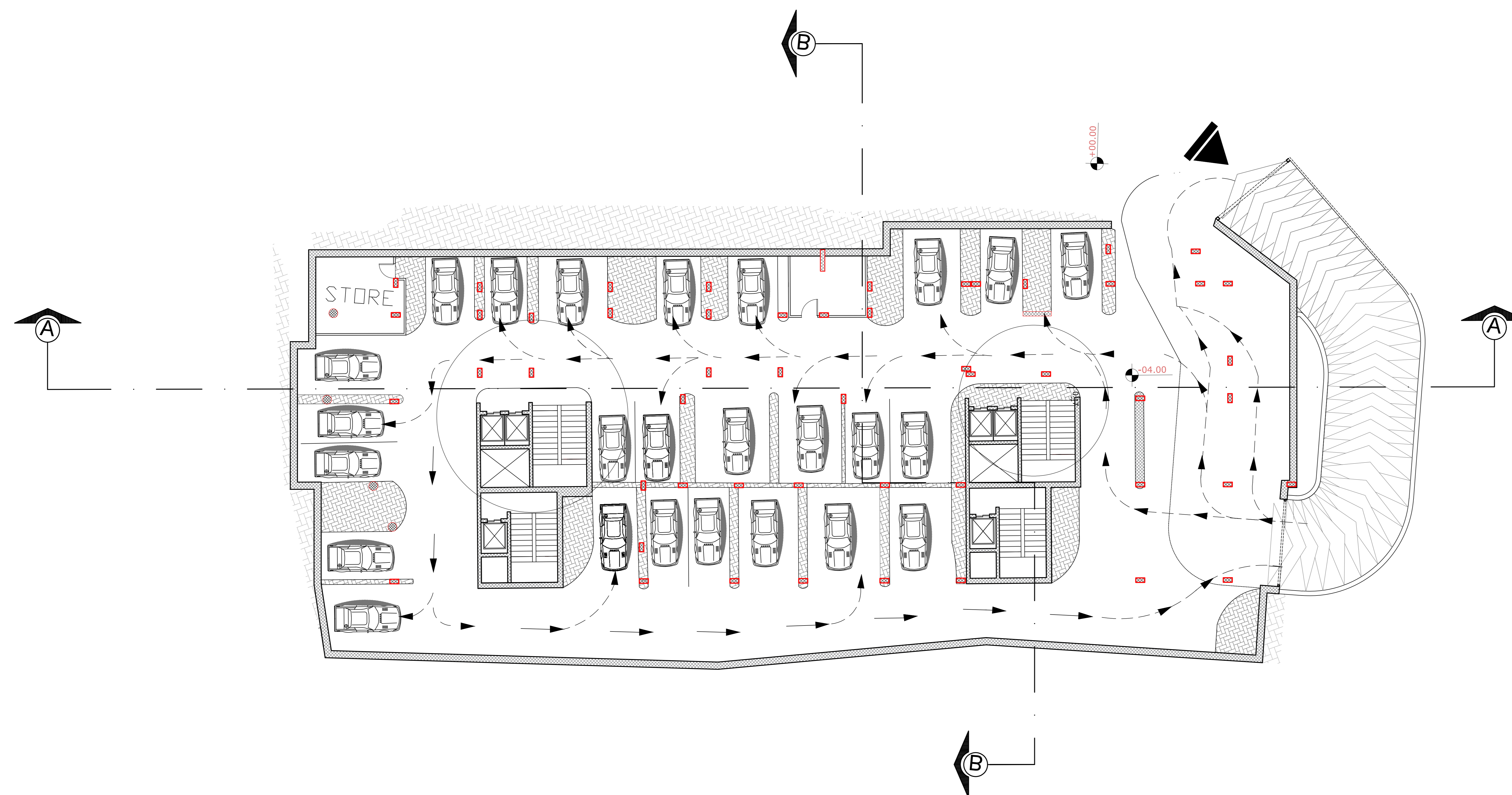
Supervisor:
Eng. Mai Haddad

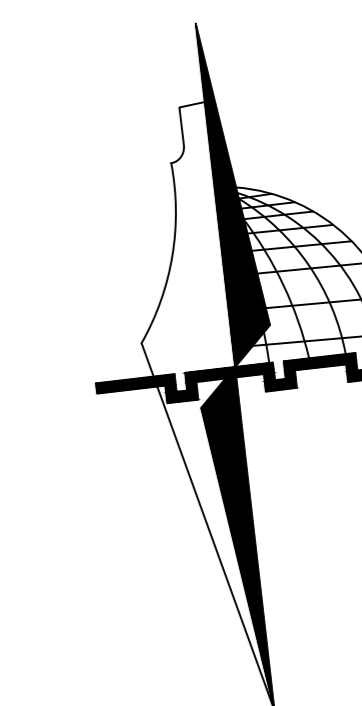
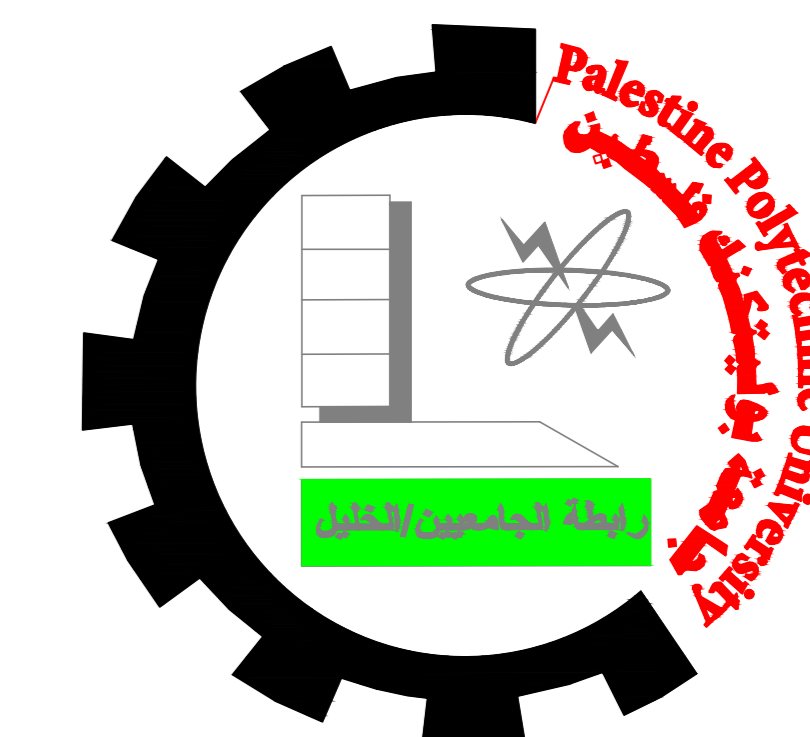
Drawing Title:
First Basement Floor plan
(Furniture)

Drawing No.:
A 09

Date: 2/6/2021

View scale: 1/100





N

NOTES:

All Dimensions are in meters unless otherwise shown.

All spot levels are in meters.

Palestine Polytechnic University
Civil. & Arch. Eng. Department
Building Engineering

Project:

Residential Commercial Building

Designed By:

Feras Abo-Aljaysh
Noor Beiwat
Anas Jobran

Supervisor :

Eng.Mai Haddad

Drawing Title :

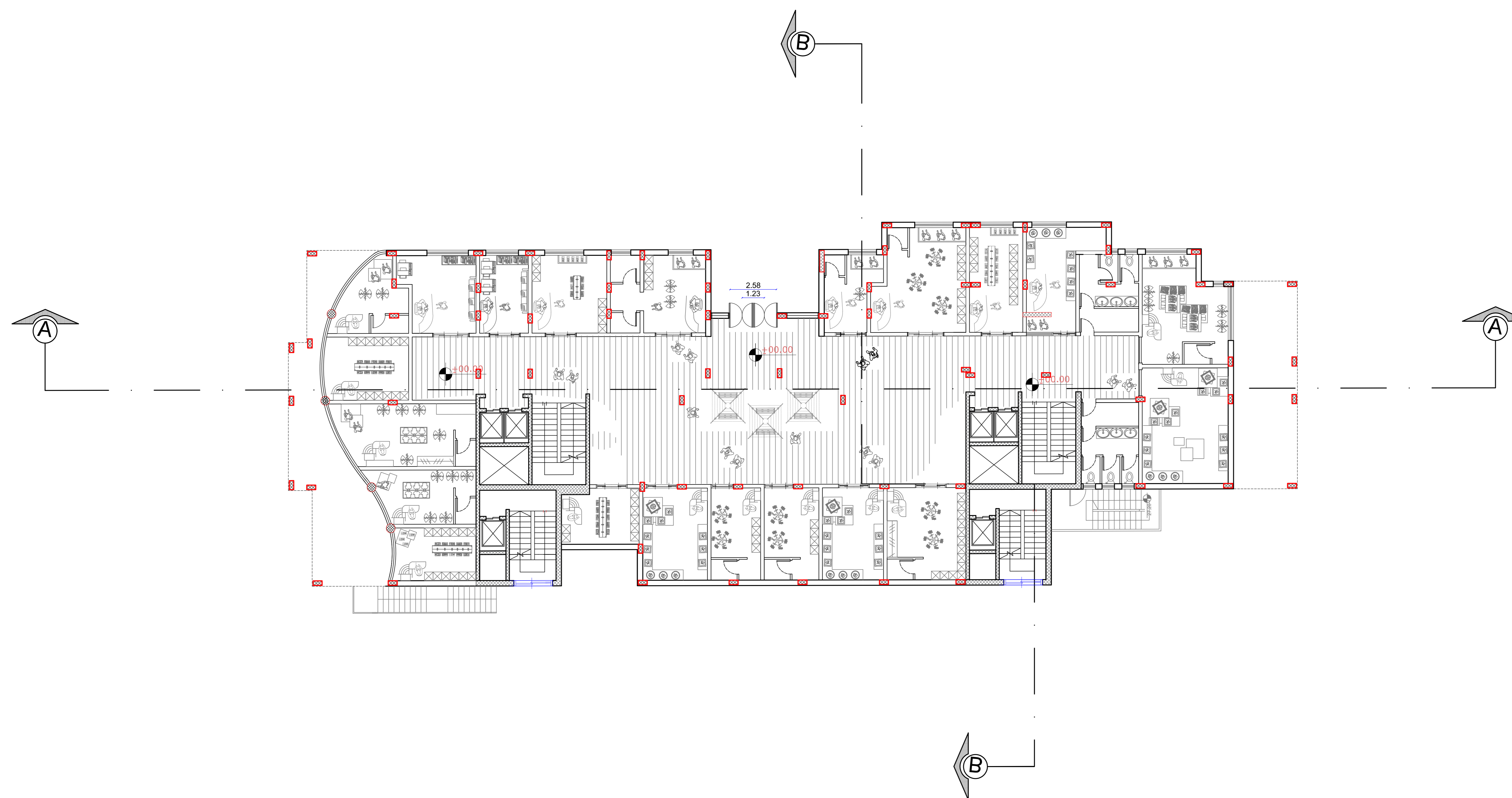
Ground Floor plan
(Furniture)

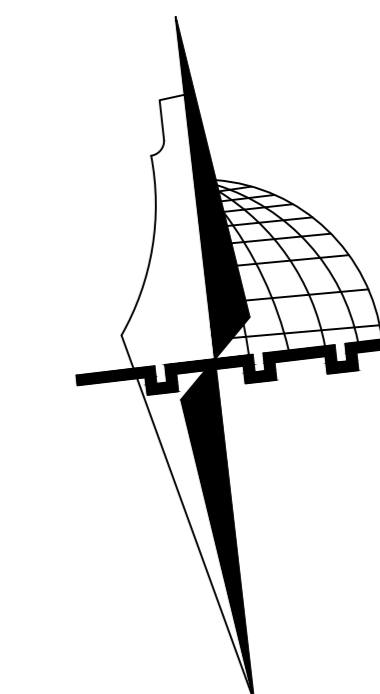
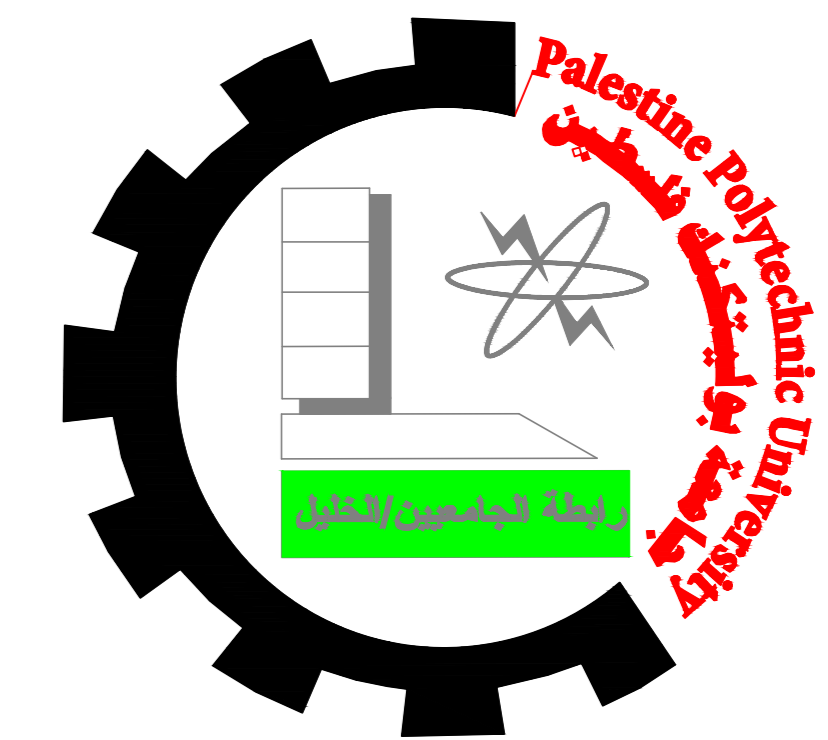
Drawing No :

A 10

Date : 2/6/2021

View scale 1/100





N

NOTES:

All Dimensions are in meters
unless otherwise shown.

All spot levels are in meters.

Palestine Polytechnic University
Civil. & Arch. Eng. Department

Building Engineering

Project :

Residential Commercial Building

Designed By :

Feras Abo-Aljaysh
Noor Beiwat
Anas Jobran

Supervisor :

Eng.Mai Haddad

Drawing Title :

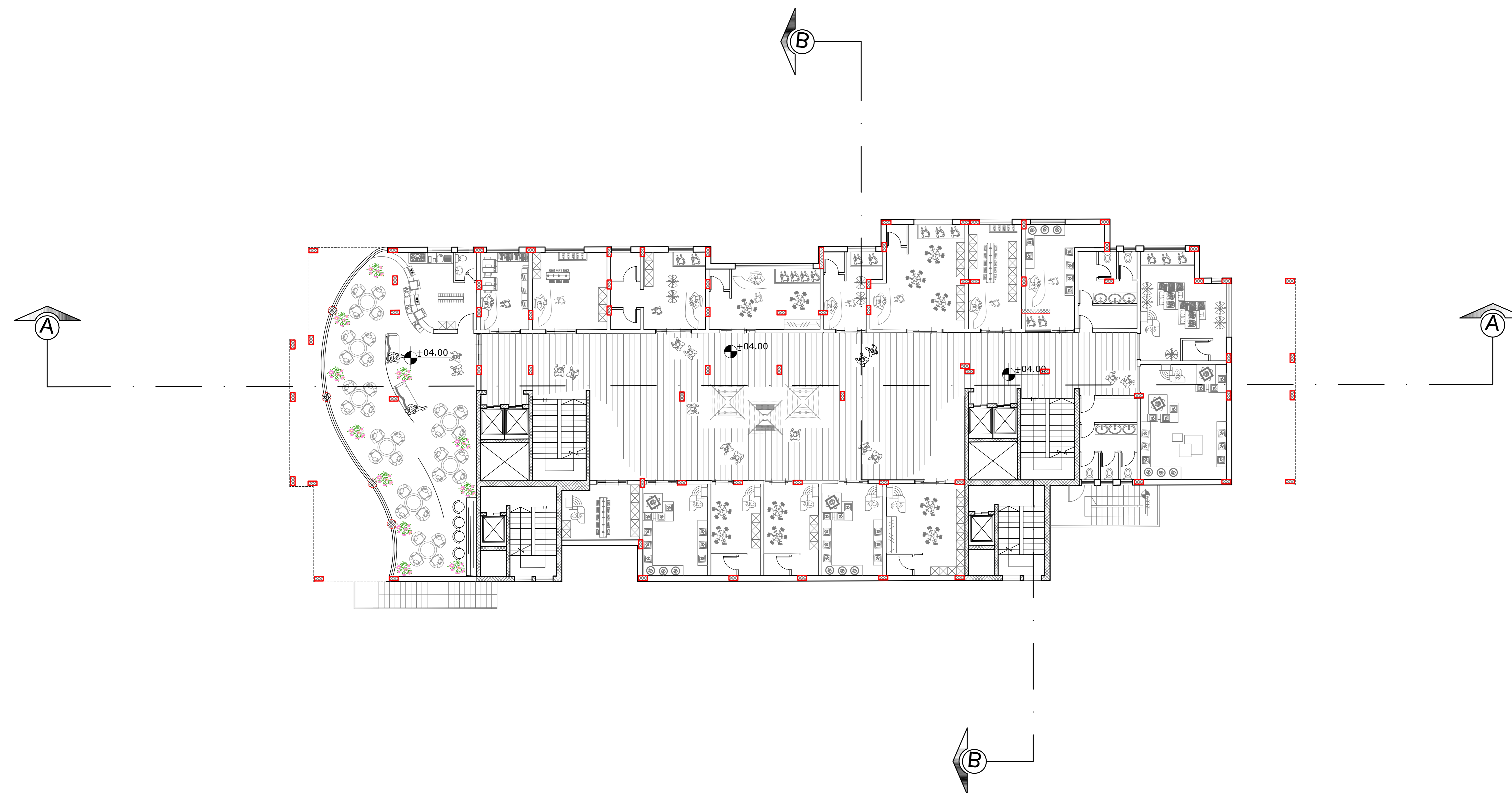
First Floor plan
(Furniture)

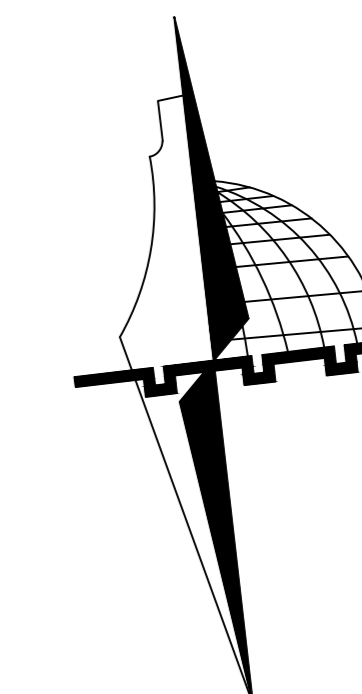
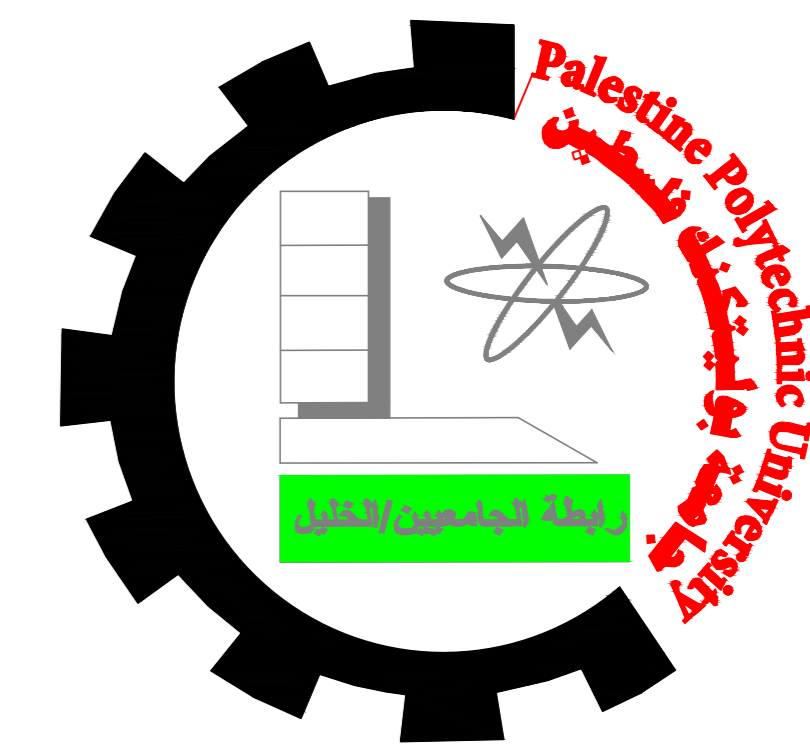
Drawing No :

A 11

Date : 2/6/2021

View scale 1/100





N

NOTES:

All Dimensions are in meters
unless otherwise shown.

All spot levels are in meters.

Palestine Polytechnic University
Civil. & Arch. Eng. Department

Building Engineering

Project :

Residential Commercial Building

Designed By :

Feras Abo-Aljraysh
Noor Beiwat
Anas Jobran

Supervisor :

Eng.Mai Haddad

Drawing Title :

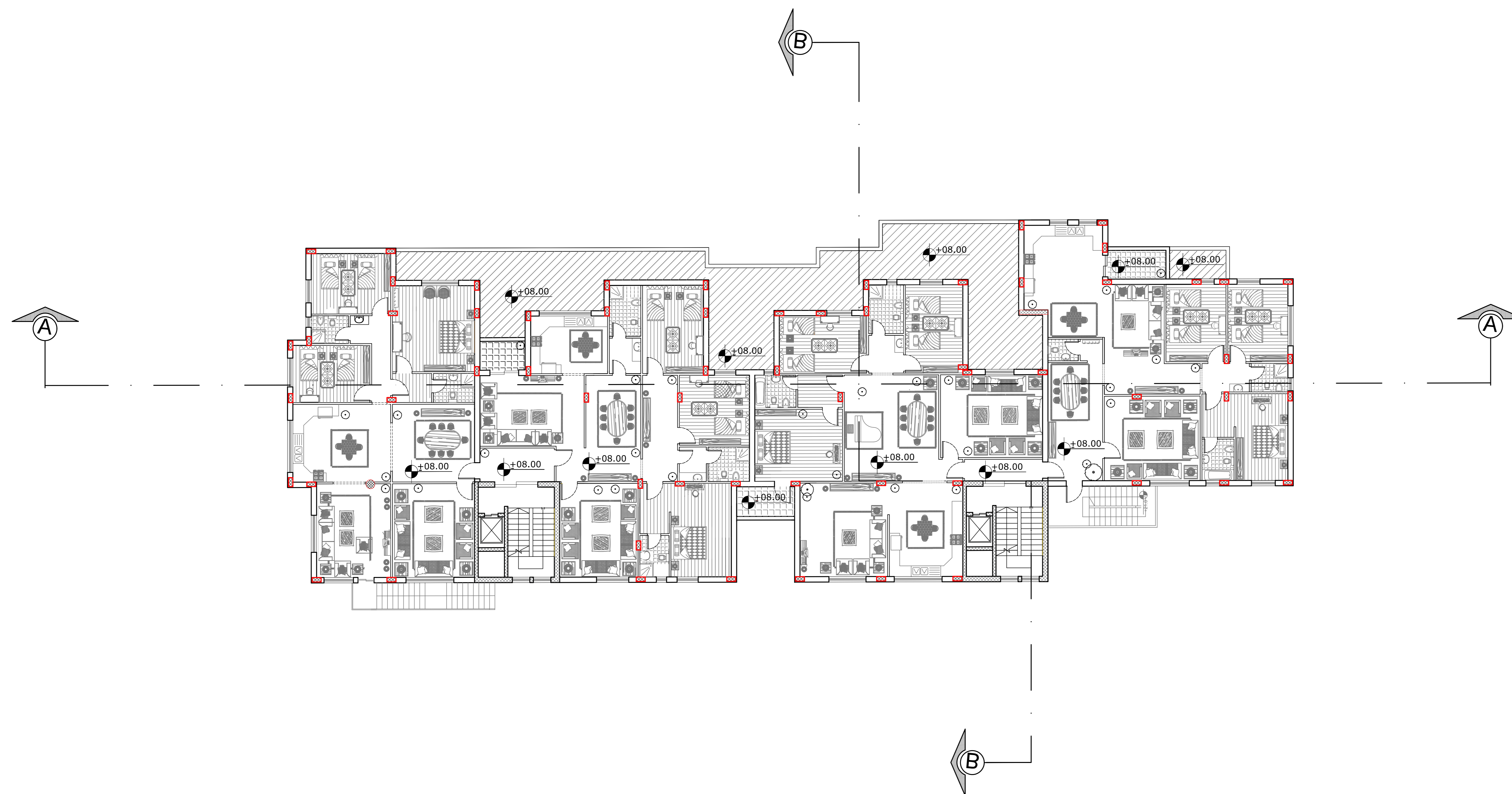
Second Floor plan
(Furniture)

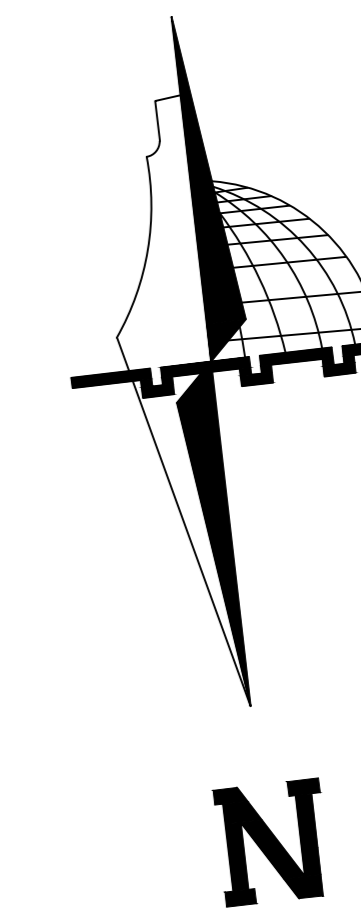
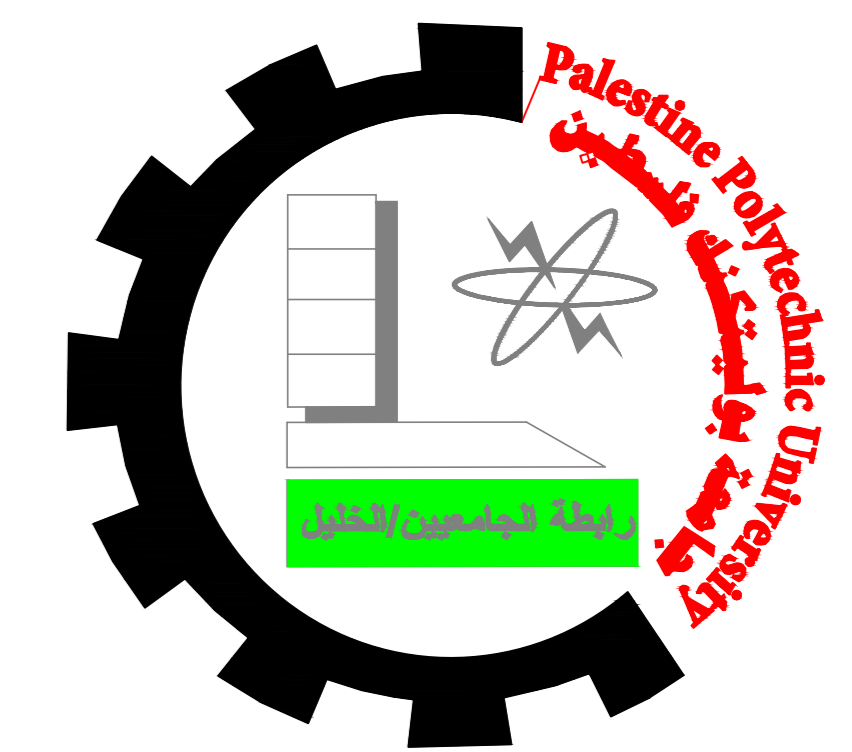
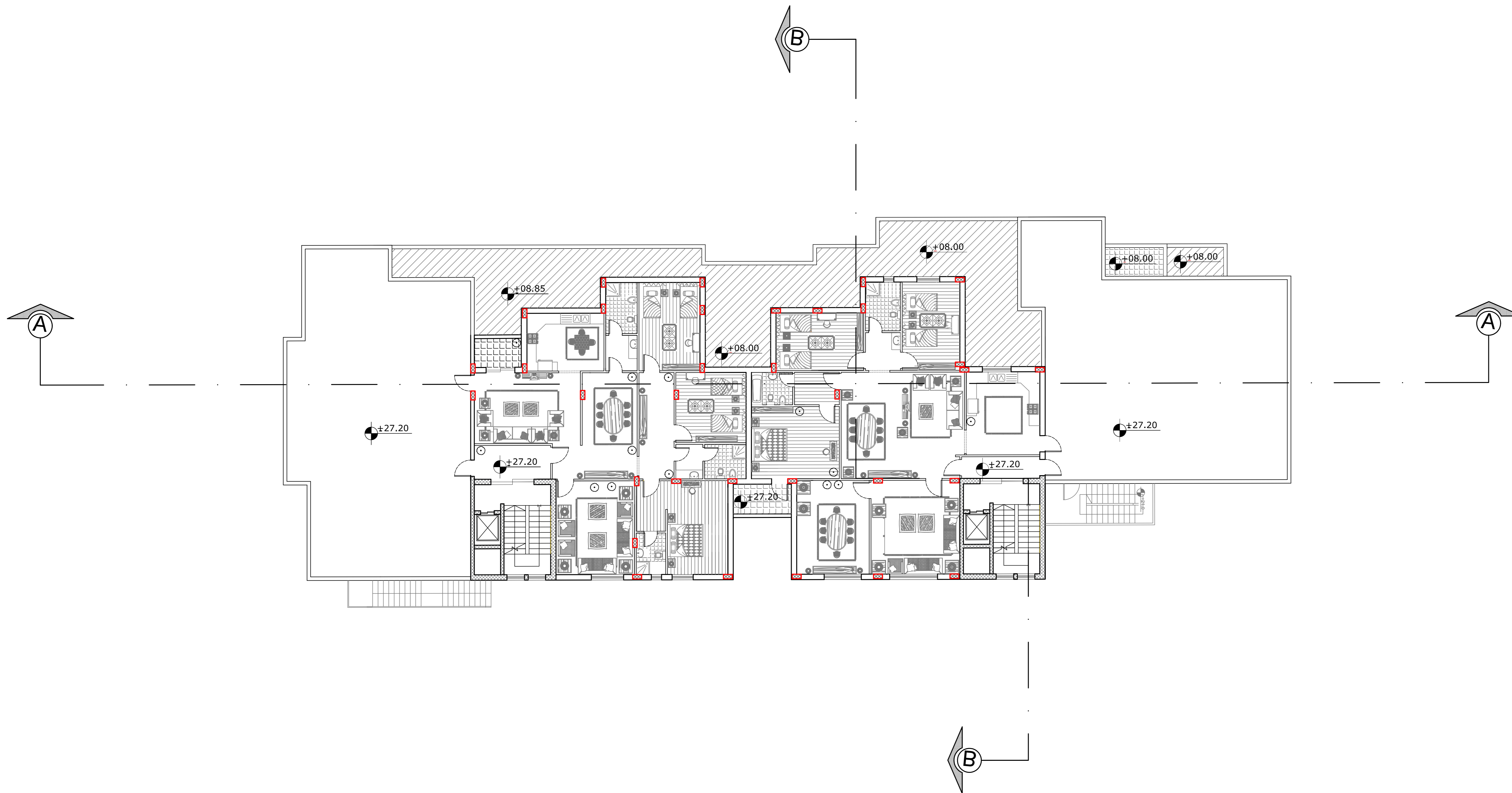
Drawing No :

A 12

Date : 2/6/2021

View scale 1/100





NOTES:

All Dimensions are in meters
unless otherwise shown.
All spot levels are in meters.

Palestine Polytechnic University
Civil. & Arch. Eng. Department
Building Engineering

Project :

Residential Commercial Building

Designed By :

Feras Abo-Aljaysh
Noor Beiwat
Anas Jobran

Supervisor :

Eng.Mai Haddad

Drawing Title :

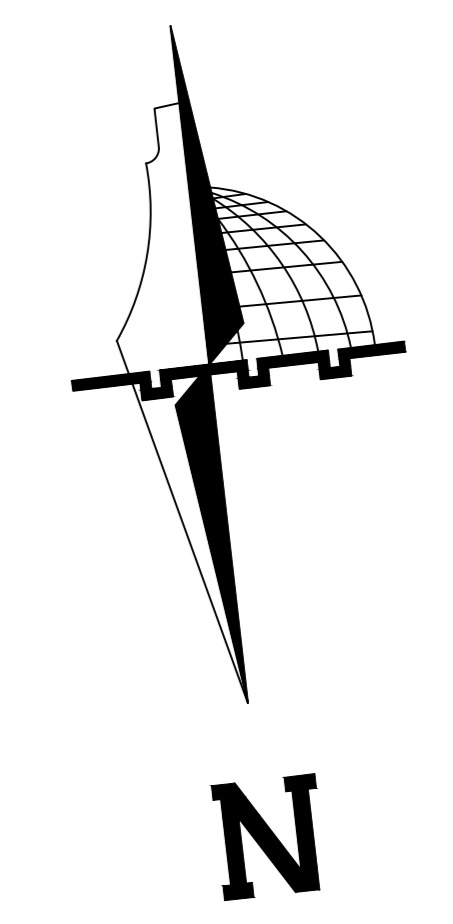
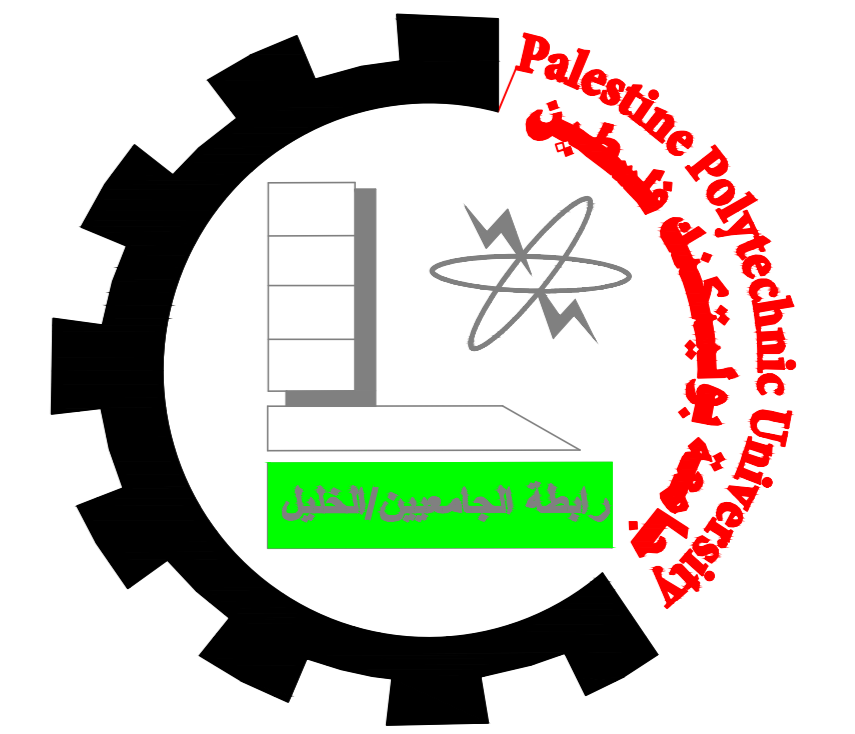
Roof Floor plan
(Furniture)

Drawing No :

A 13

Date : 2/6/2021

View scale 1/100



NOTES:

All Dimensions are in meters
unless otherwise shown.
All spot levels are in meters.

Palestine Polytechnic University
Civil. & Arch. Eng. Department
Building Engineering
Project :
Residential Commercial Building
Designed By :
Feras Abo-Aljraysh
Noor Beiwat
Anas Jobran
Supervisor :
Eng.Mai Haddad
Drawing Title :
North Elevation

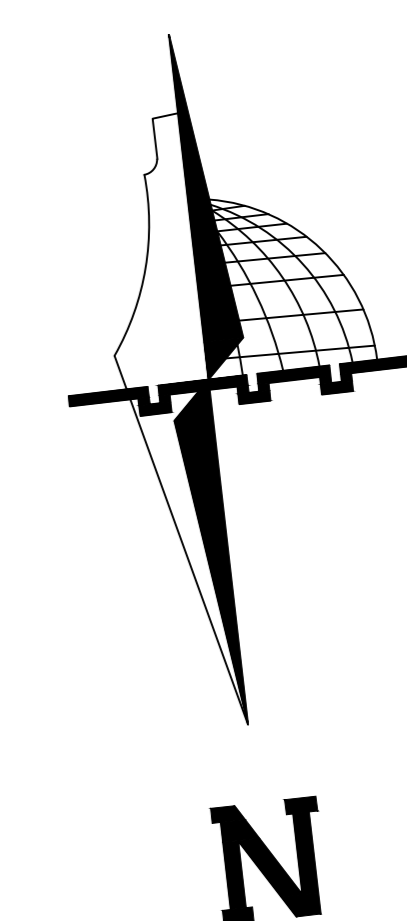
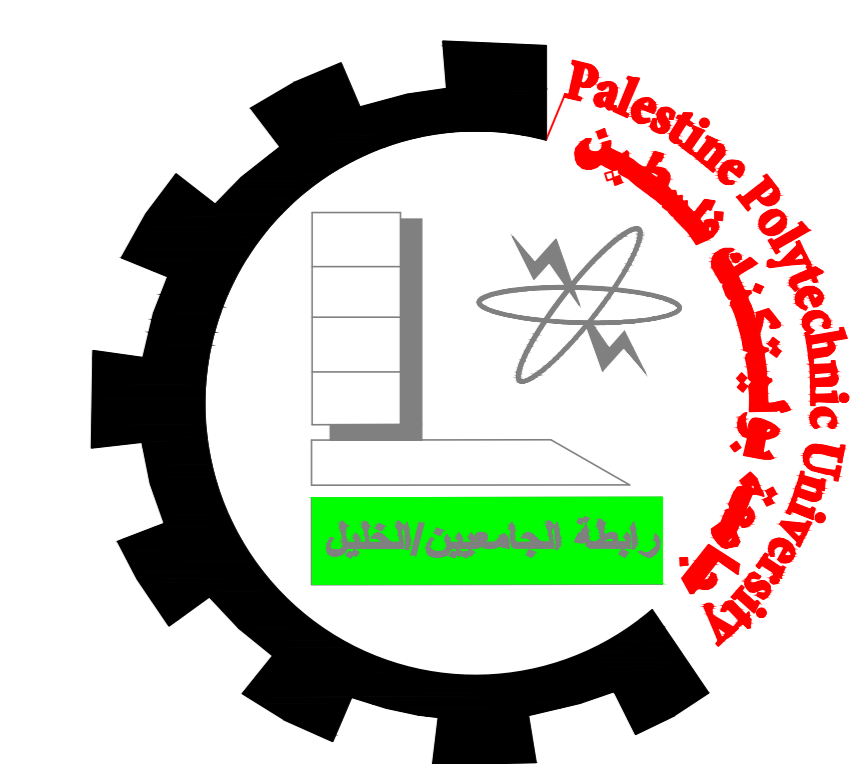
Drawing No :

A 14

Date : 2/6/2021

View scale 1/100





NOTES:

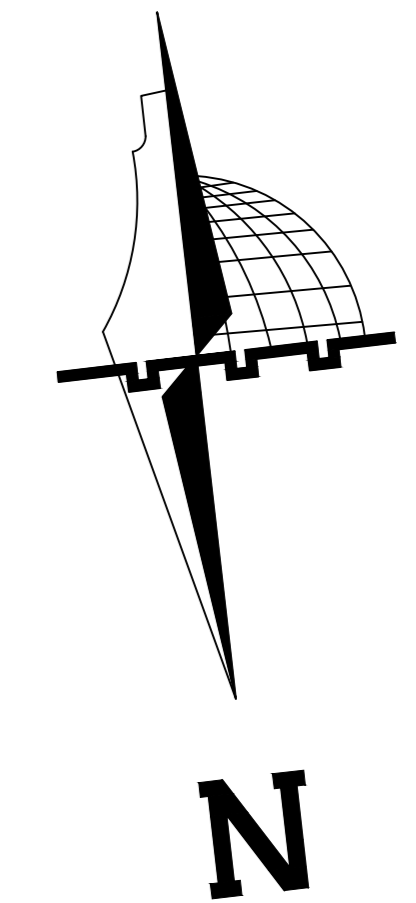
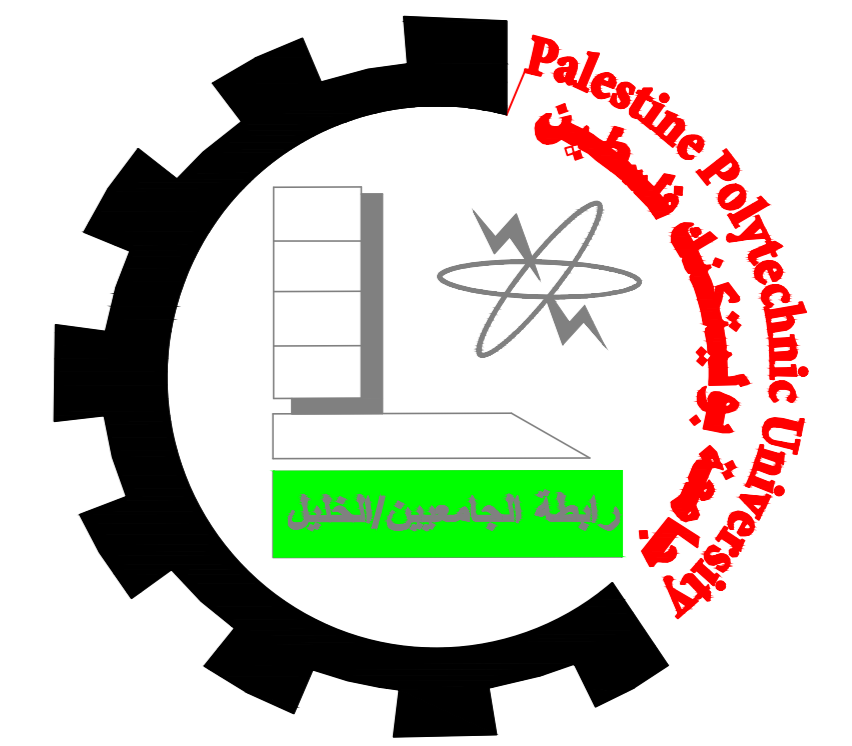
All Dimensions are in meters unless otherwise shown.
All spot levels are in meters.

<i>Palestine Polytechnic University</i>
<i>Civil. & Arch. Eng. Department</i>
<i>Building Engineering</i>
<i>Project :</i>
Residential Commercial Building
<i>Designed By :</i>
Feras Abo-Aljaysh Noor Beiwat Anas Jobran
<i>Supervisor :</i>
Eng.Mai Haddad
<i>Drawing Title :</i>
East Elevation

Drawing No :
A 15

Date : 2/6/2021

View scale 1/100



NOTES:

All Dimensions are in meters
unless otherwise shown.
All spot levels are in meters.

Palestine Polytechnic University
Civil. & Arch. Eng. Department
Building Engineering

Project :

Residential Commercial Building

Designed By :

Feras Abo-Aljraysh
Noor Beiwat
Anas Jobran

Supervisor :

Eng.Mai Haddad

Drawing Title :

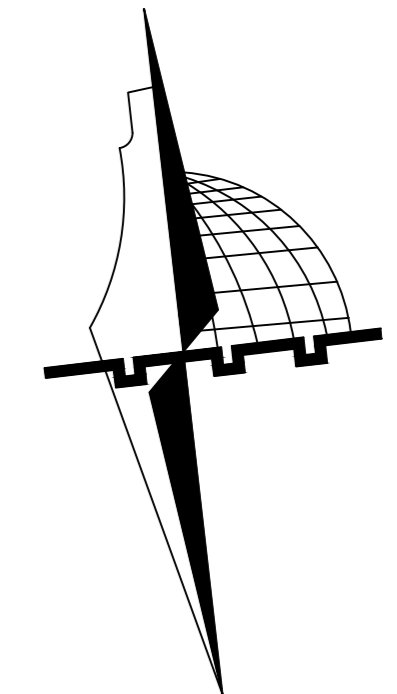
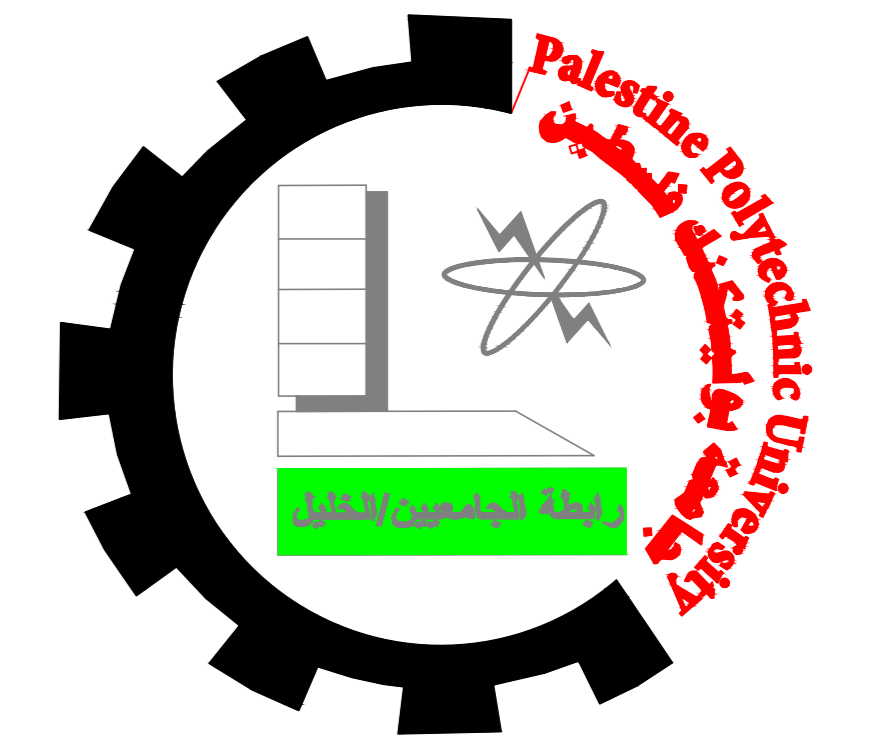
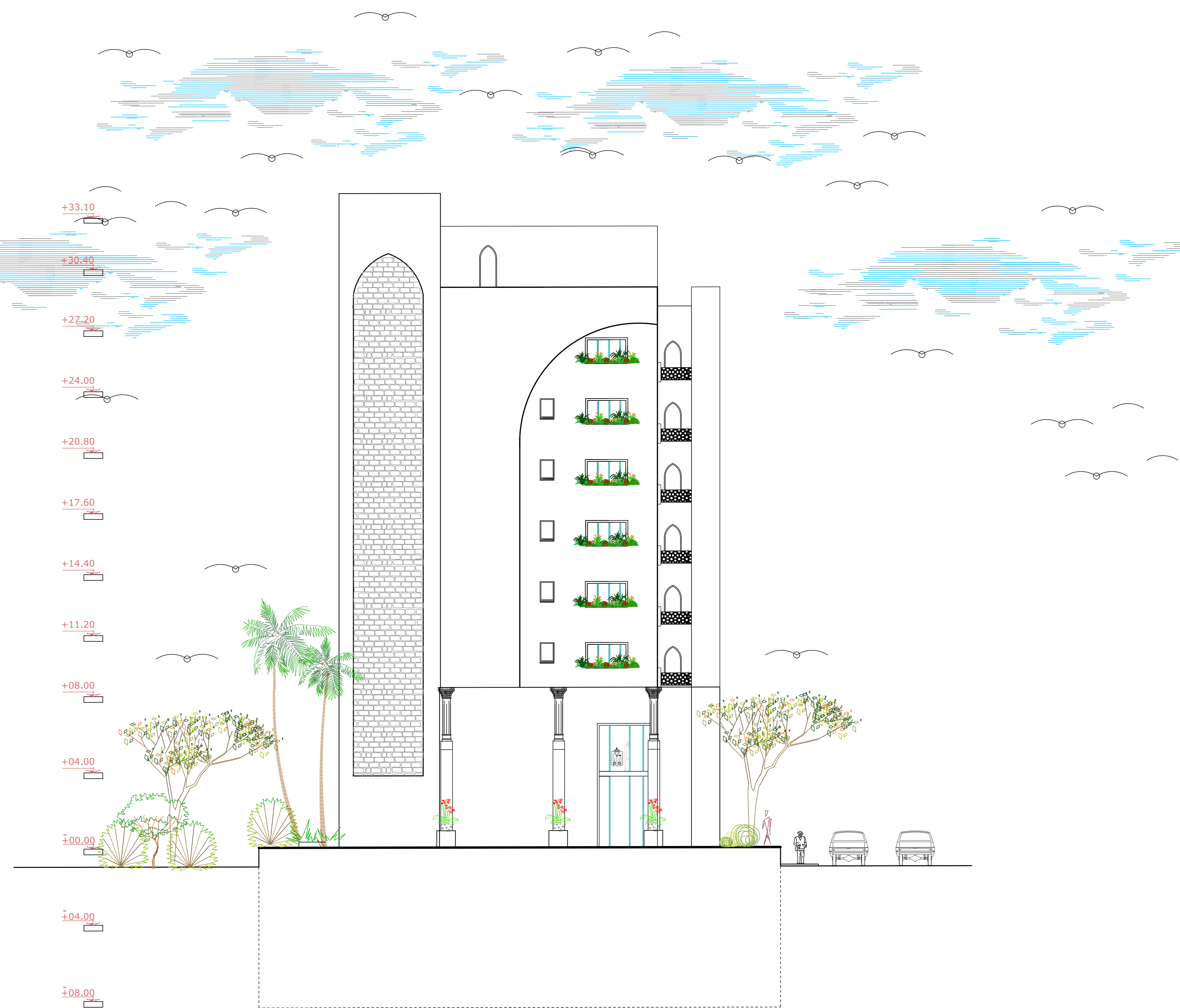
South Elevaion

Drawing No :

A 16

Date : 2/6/2021

View scale 1/100



N

NOTES:

All Dimensions are in meters unless otherwise shown.
All spot levels are in meters.

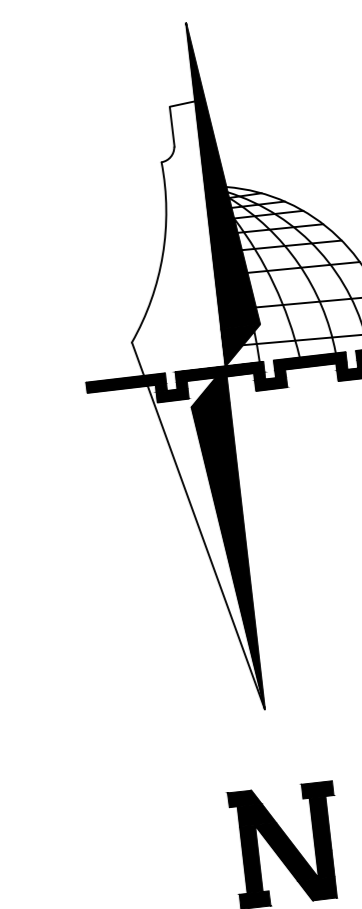
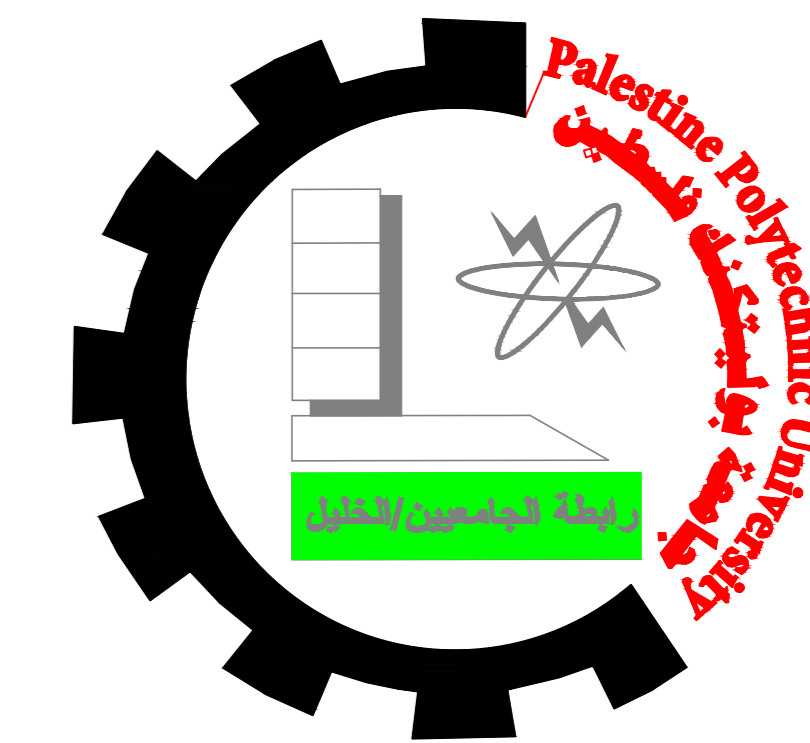
<i>Palestine Polytechnic University</i>
<i>Civil. & Arch. Eng. Department</i>
<i>Building Engineering</i>
<i>Project :</i>
Residential Commercial Building
<i>Designed By :</i>
Feras Abo-Aljraysh Noor Beiwat Anas Jobran
<i>Supervisor :</i>
Eng.Mai Haddad
<i>Drawing Title :</i>
West Elevaion

Drawing No :

A 17

Date : 2/6/2021

View scale 1/100



NOTES:

All Dimensions are in meters unless otherwise shown.

All spot levels are in meters.

Palestine Polytechnic University
Civil. & Arch. Eng. Department

Building Engineering

Project:

Residential Commercial Building

Designed By:

Feras Abo-Aljraysh
Noor Beiwat
Anas Jobran

Supervisor:

Eng.Mai Haddad

Drawing Title:

Section A-A

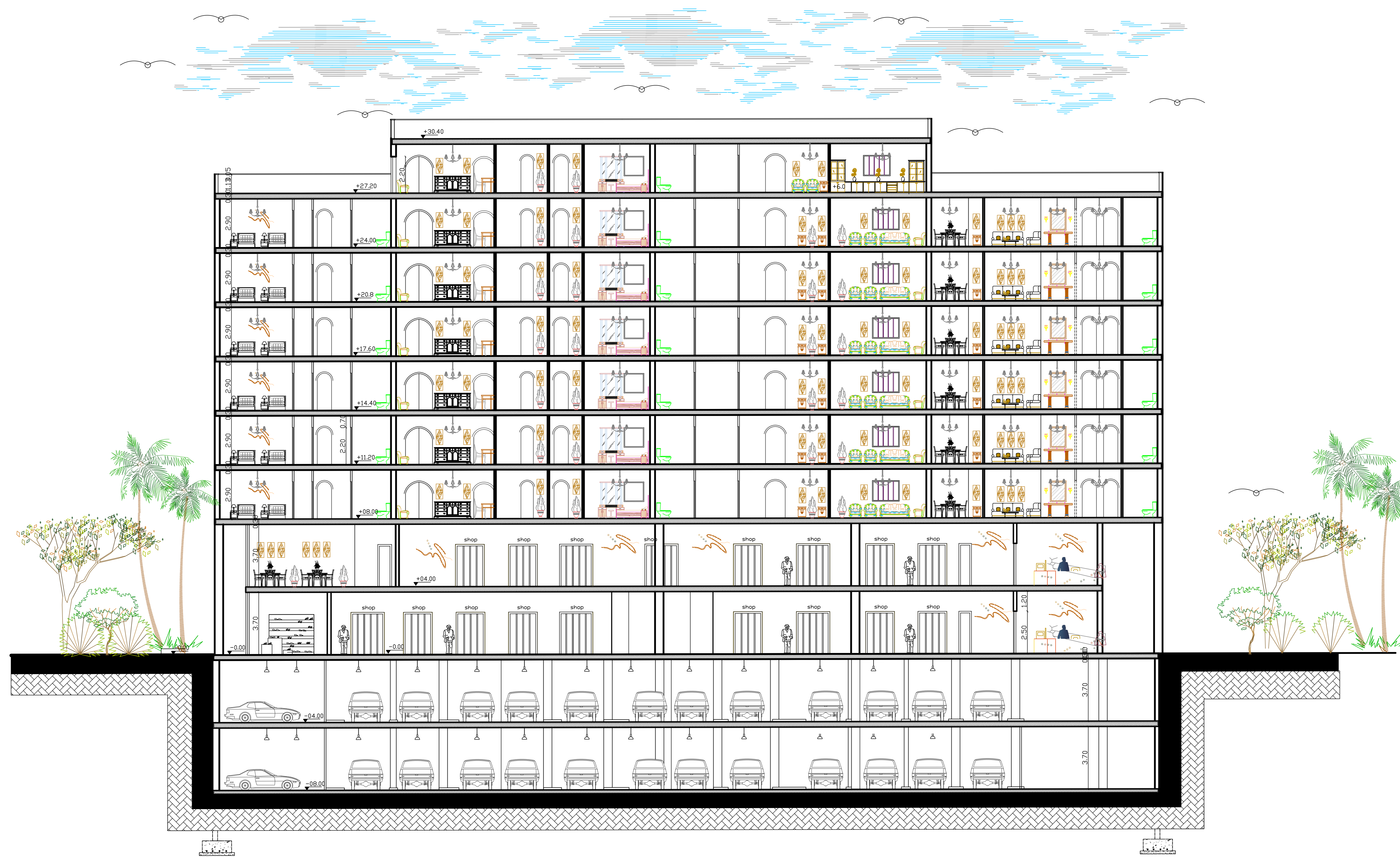
Drawing No :

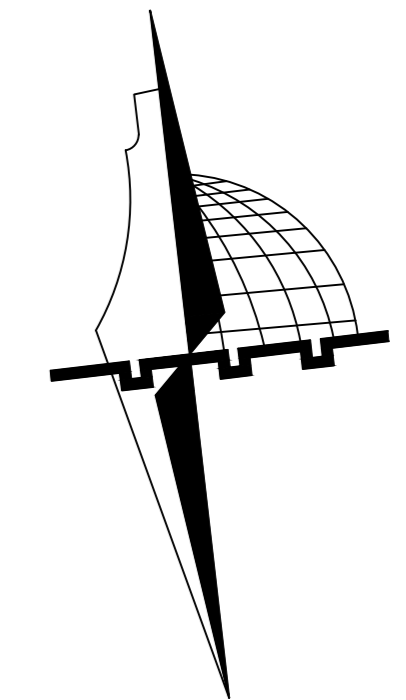
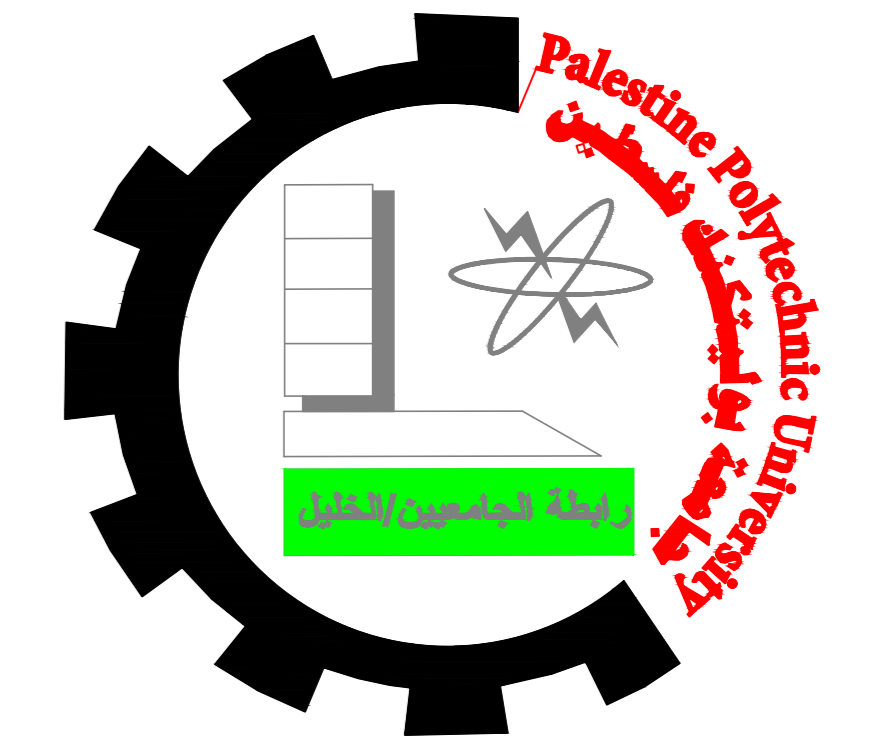
A 18

Date : 2/6/2021

View scale 1/100

+33.10
+30.40
+27.20
+24.00
+20.80
+17.60
+14.40
+11.20
+08.00
+04.00
±0.00
-04.00
-08.00





N

NOTES:

All Dimensions are in meters
unless otherwise shown.
All spot levels are in meters.

Palestine Polytechnic University
Civil. & Arch. Eng. Department
Building Engineering

Project :

Residential Commercial Building

Designed By :

Feras Abo-Aljraysh
Noor Beiwat
Anas Jobran

Supervisor :

Eng.Mai Haddad

Drawing Title :

Section B-B

Drawing No :

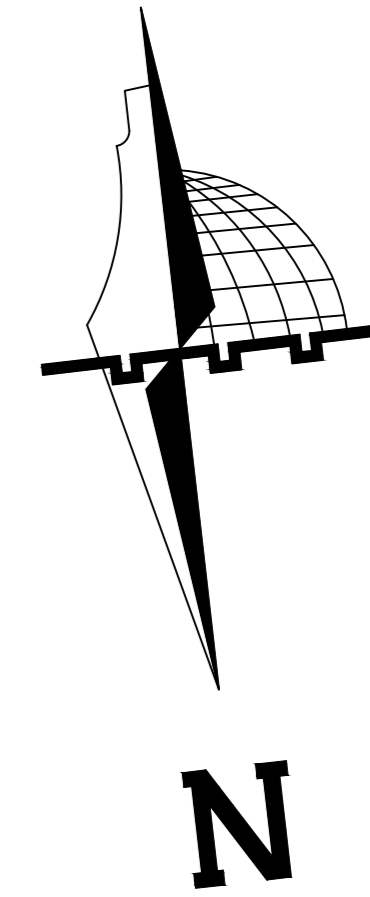
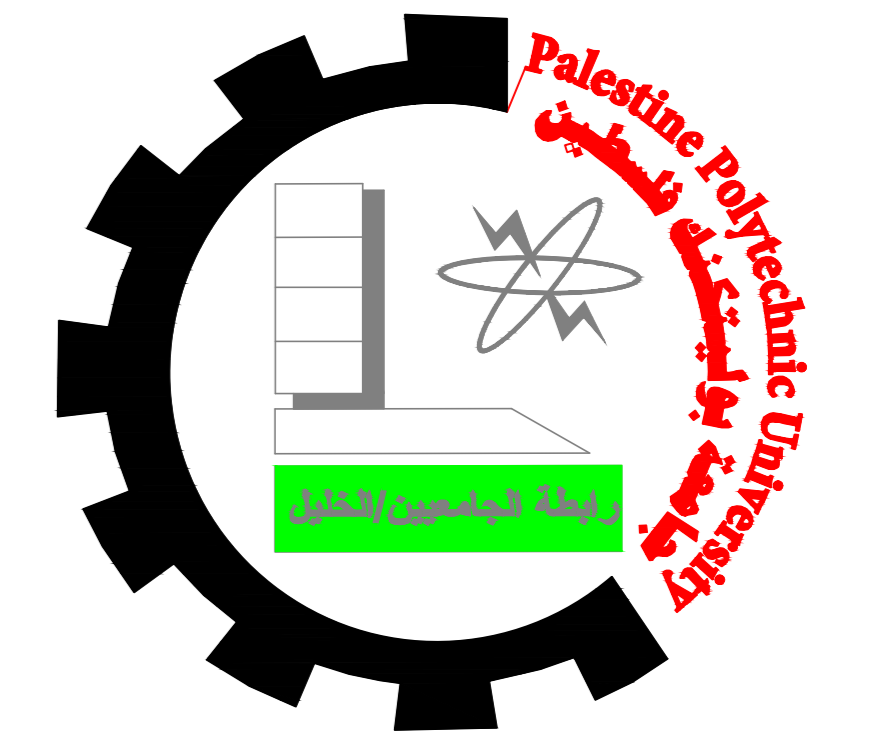
A 19

Date : 2/6/2021

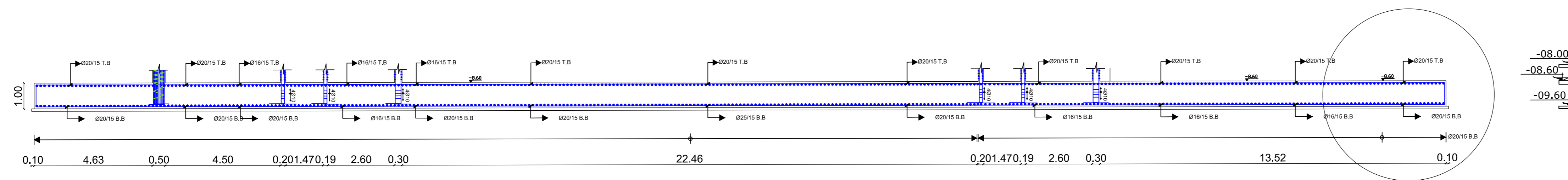
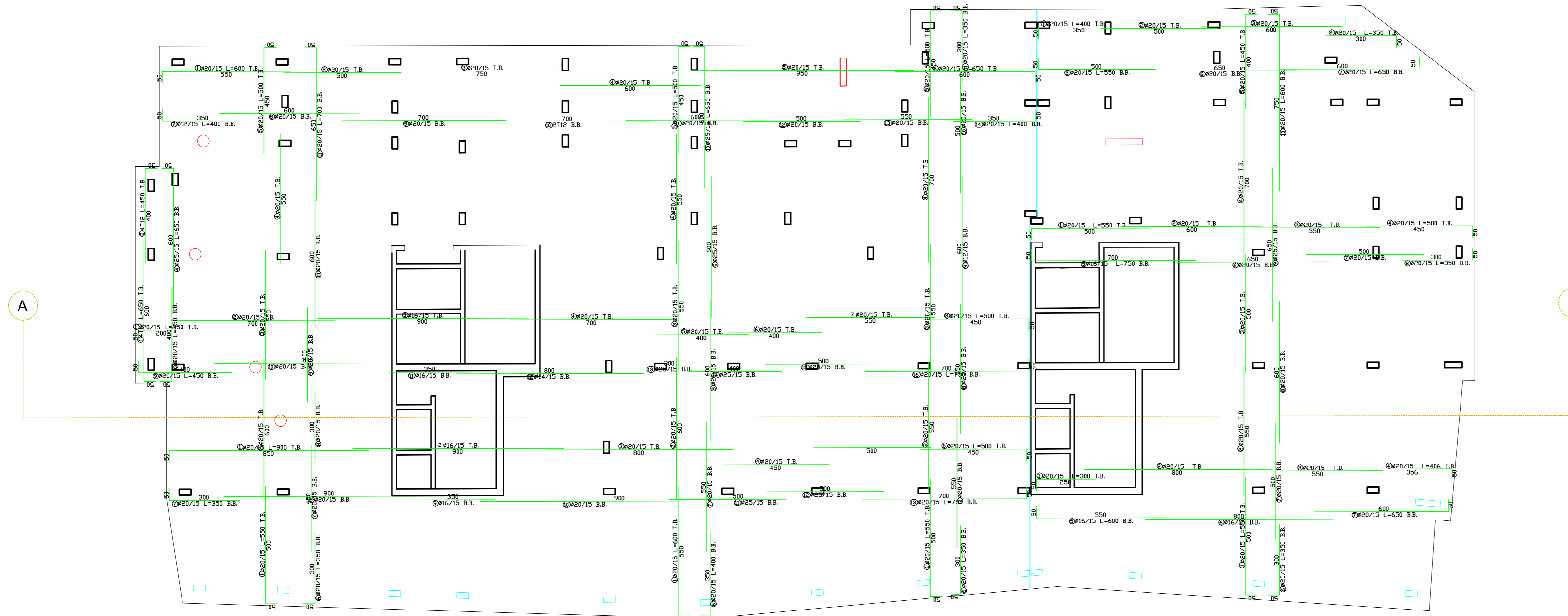
View scale 1/100



+33.10
+30.40
+27.20
+24.00
+20.80
+17.60
+14.40
+11.20
+08.00
+04.00
±0.00
-04.00
-08.00



Mat Foundations



Section(A-A)
Scale(1/100)
Mat Foundations

NOTES:

All Dimensions are in meters unless otherwise shown.
All spot levels are in meters.

Palestine Polytechnic University
Civil. & Arch. Eng. Department
Building Engineering

Project :
Residential Commercial Building

Designed By :
Feras Abo-Aljraysh
Noor Beiwat
Anas Jobran

Supervisor :
Eng.Mai Haddad

Drawing Title :
Mat Foundations

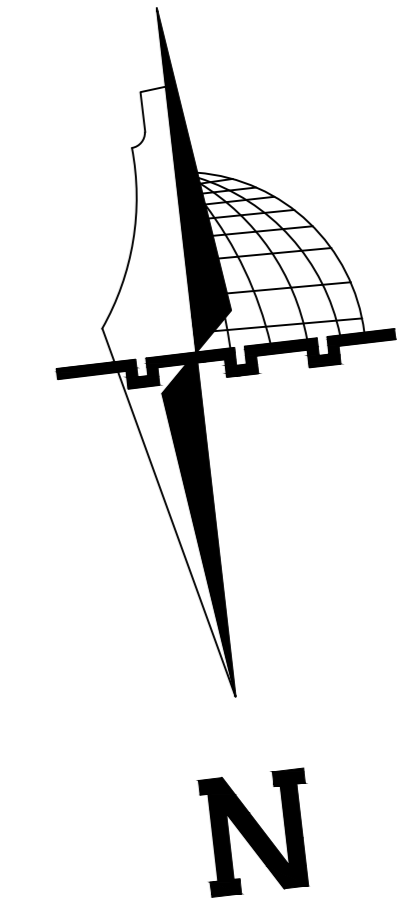
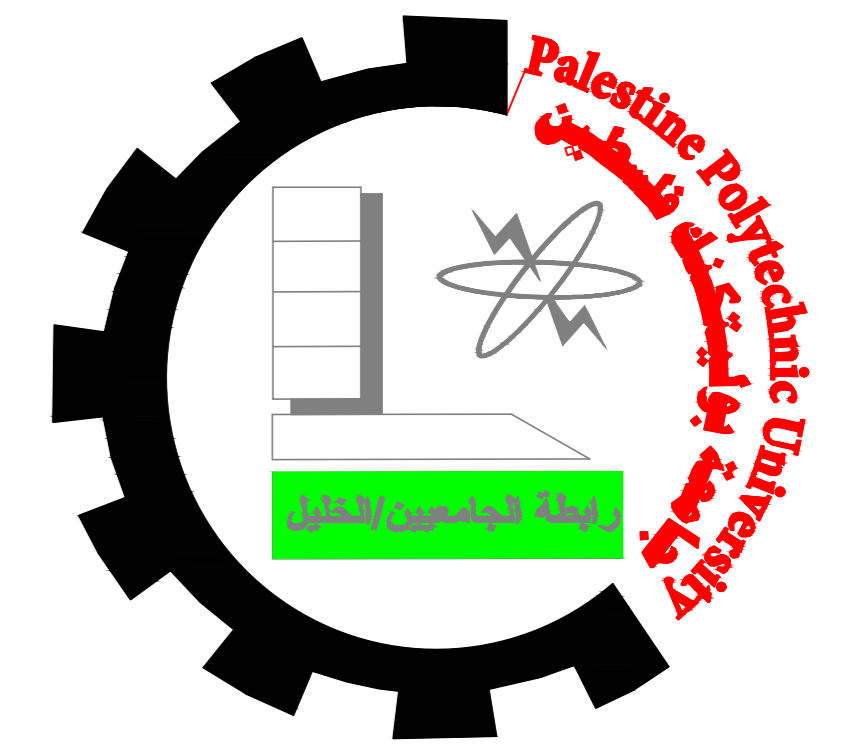
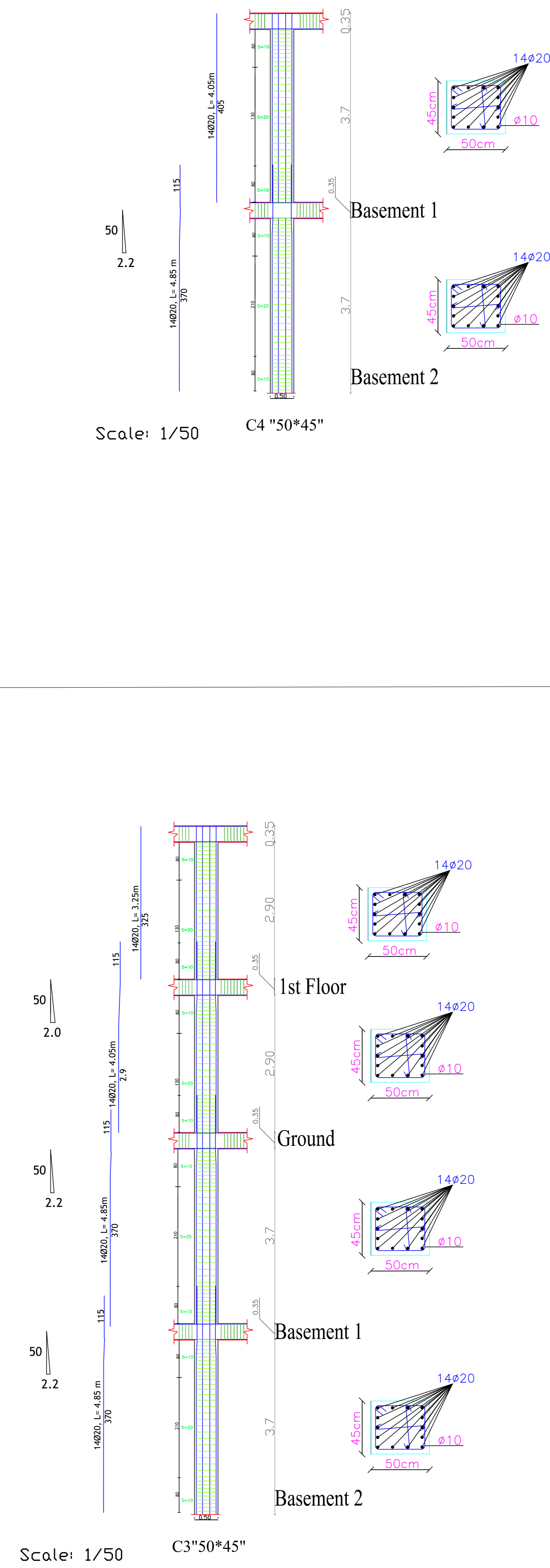
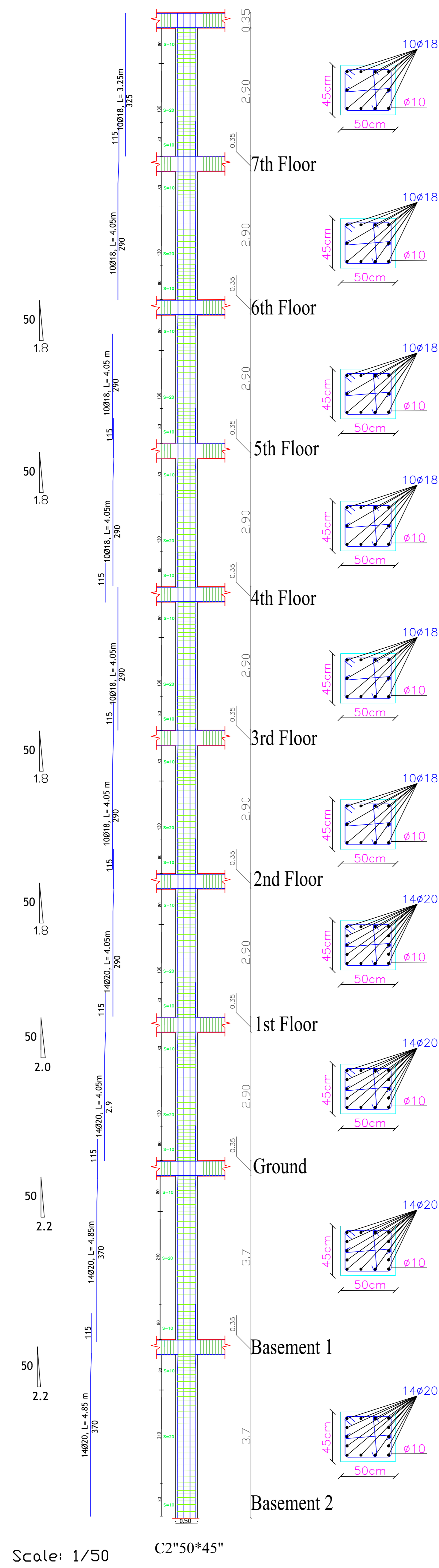
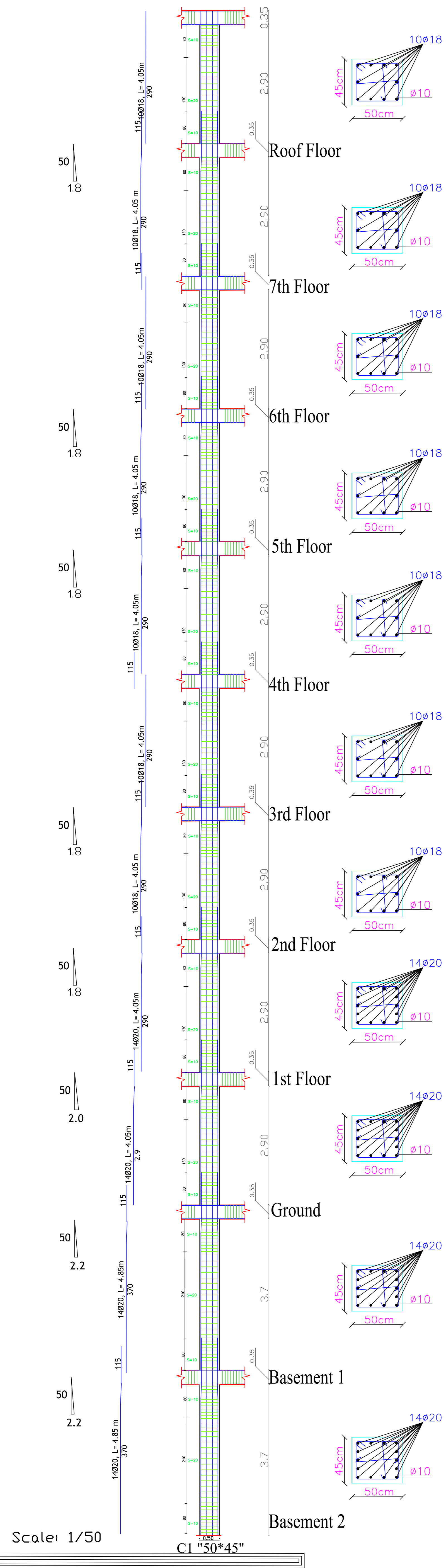
Drawing No :
S 01

Date : 2/6/2021

View scale 1/100

Cover 7 cm

Columns details



NOTES:

All Dimensions are in meters unless otherwise shown.

All spot levels are in meters.

Palestine Polytechnic University
Civil. & Arch. Eng. Department

Building Engineering

Project:

Residential Commercial Building

Designed By:

Feras Abo-Aljaysh
Noor Beiwat
Anas Jobran

Supervisor:

Eng.Mai Haddad

Drawing Title:

Columns Details

Drawing No.:

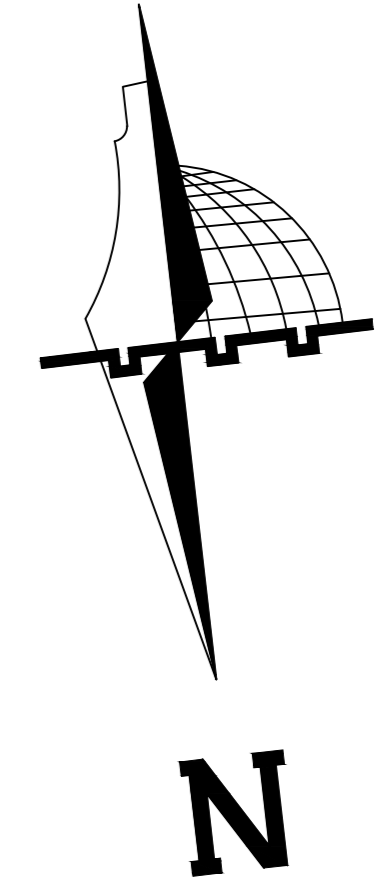
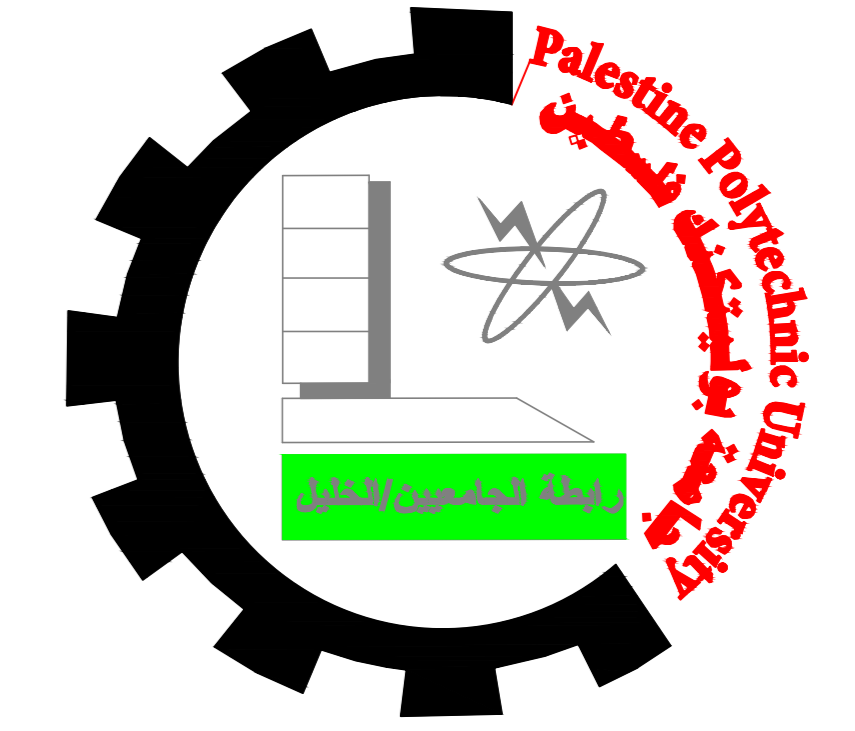
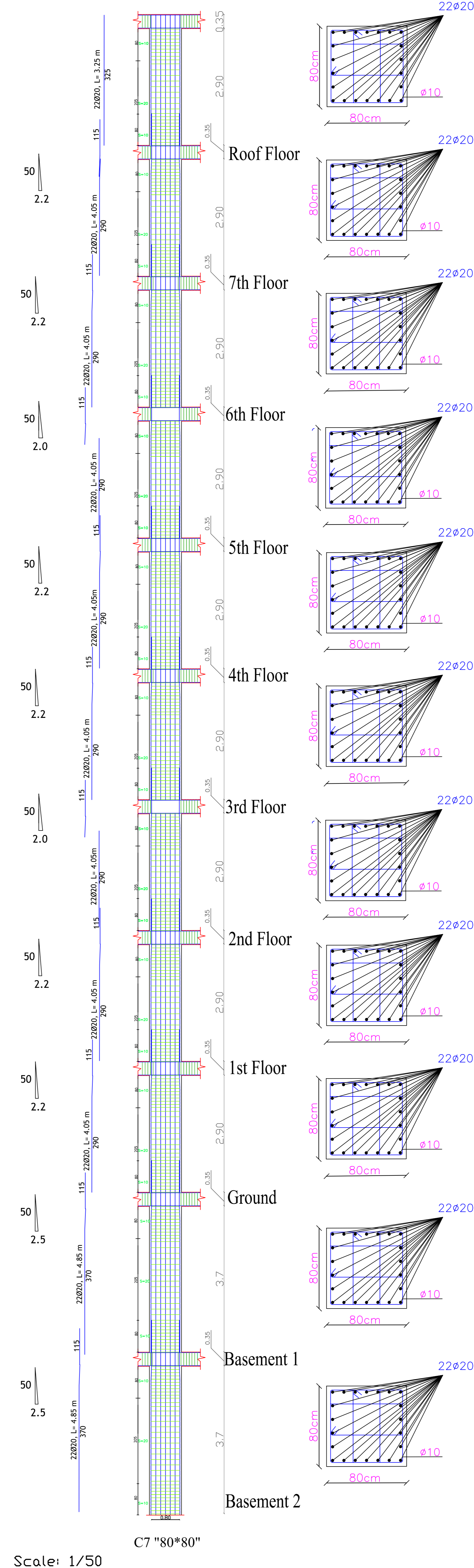
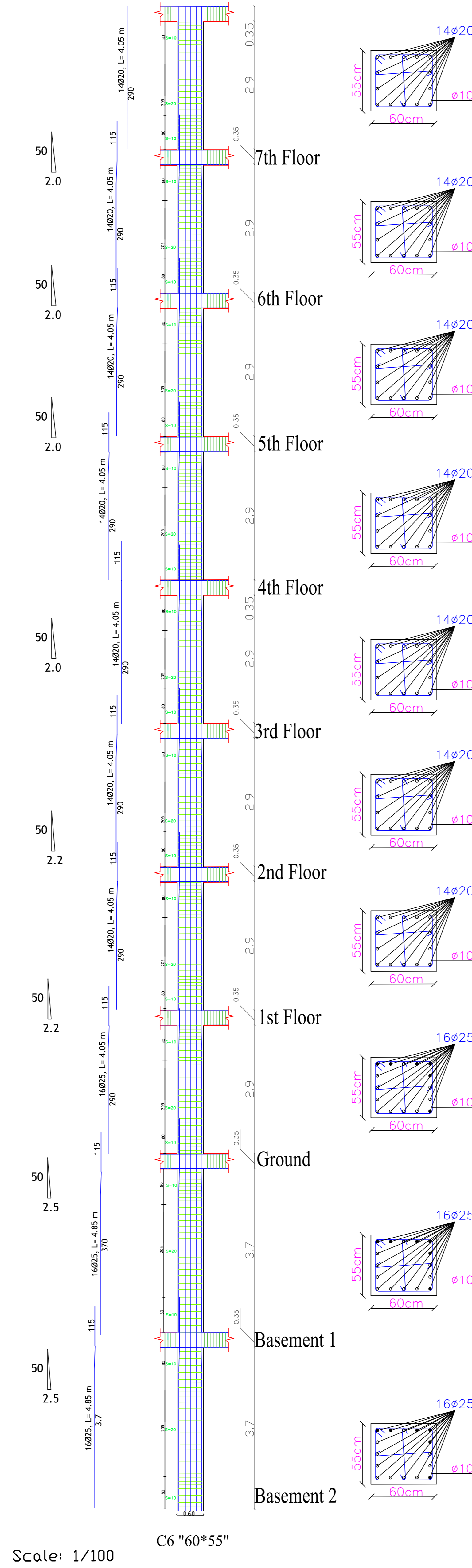
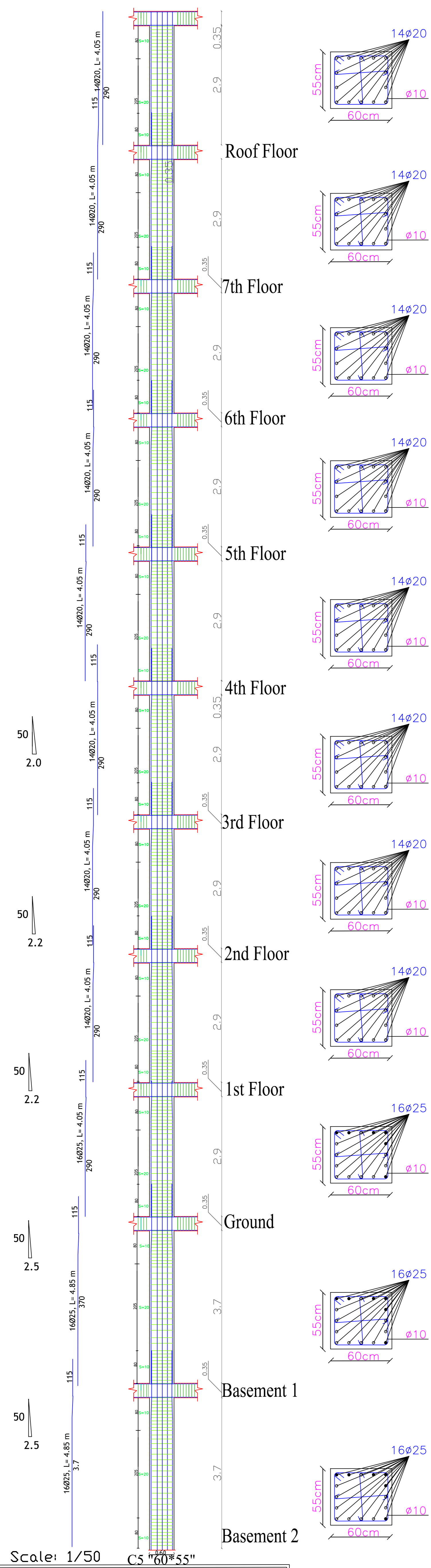
S 02

Date: 2/6/2021

View scale 1/50

Cover 4 cm

Columns details



NOTES:

All Dimensions are in meters unless otherwise shown.

All spot levels are in meters.

Palestine Polytechnic University
Civil. & Arch. Eng. Department
Building Engineering

Project :

Residential Commercial Building

Designed By :

Feras Abo-Aljaysh
 Noor Beiwat
 Anas Jobran

Supervisor :

Eng.Mai Haddad

Drawing Title :

Columns Details

Drawing No :

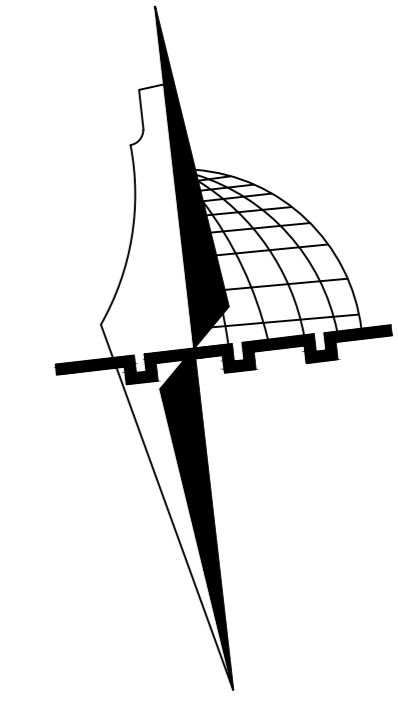
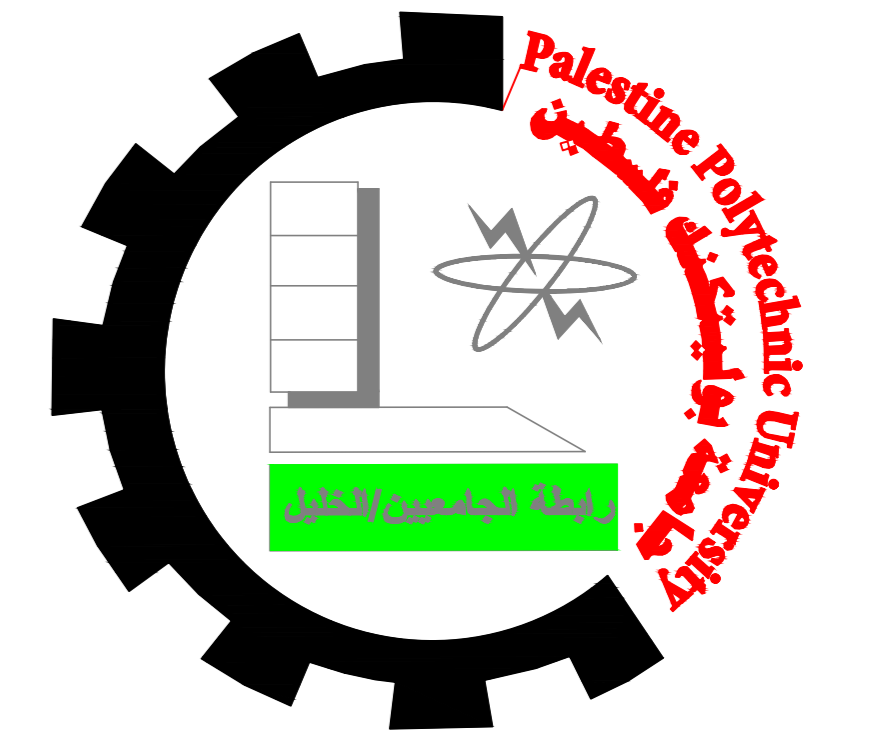
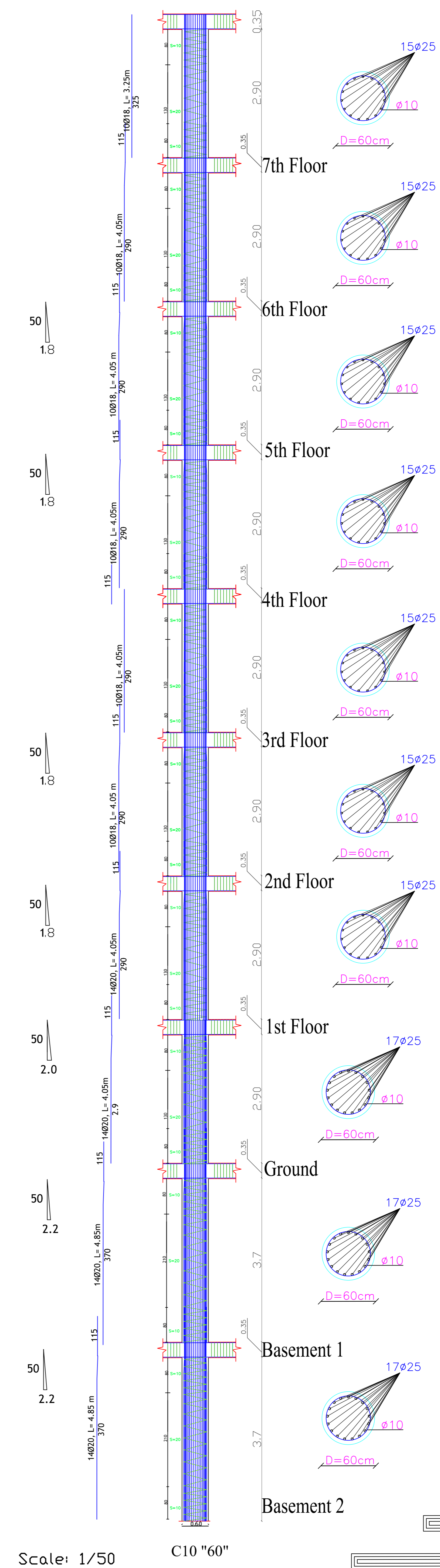
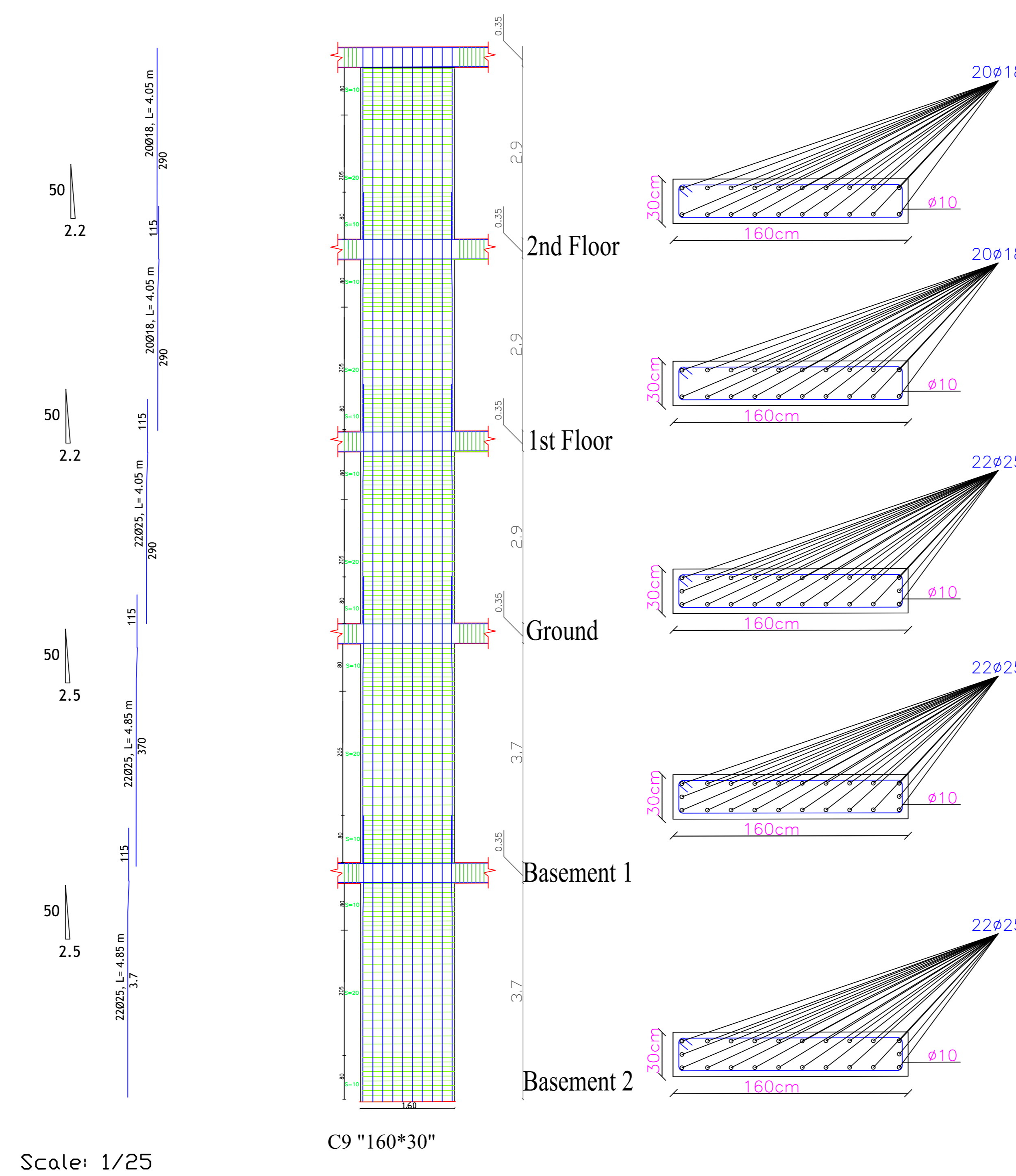
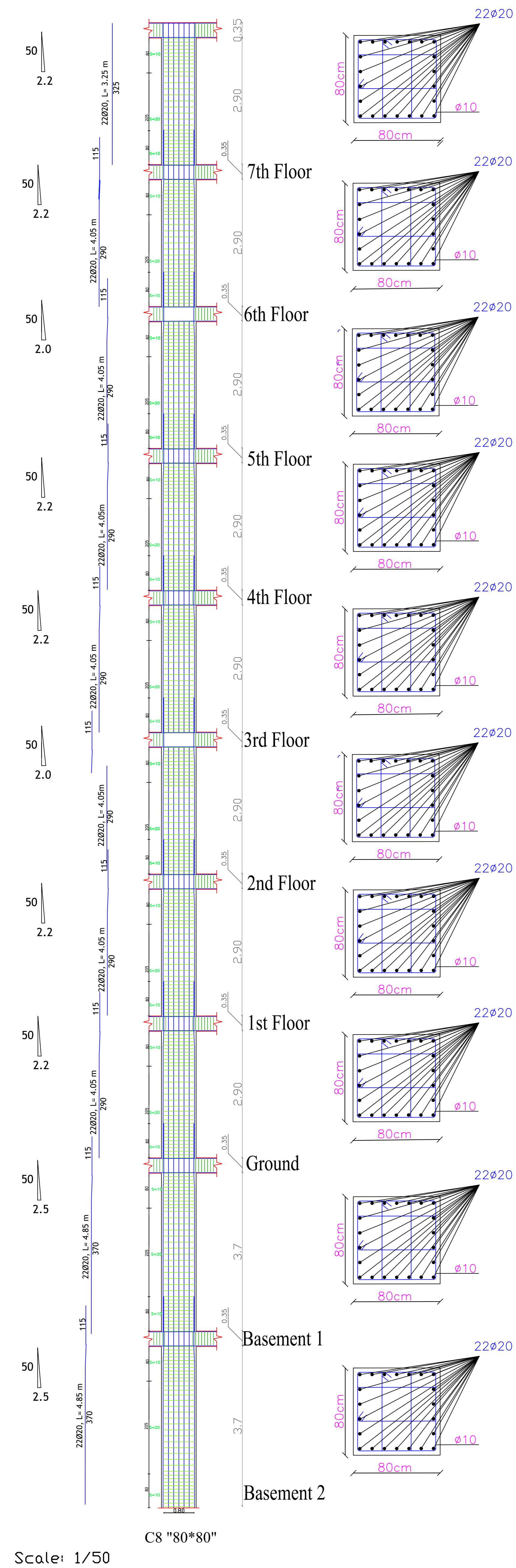
S 03

Date : 2/6/2021

View scale 1/50

Cover 4 cm

Columns details



N

NOTES:

All Dimensions are in meters unless otherwise shown.
All spot levels are in meters.

Palestine Polytechnic University
Civil. & Arch. Eng. Department
Building Engineering

Project :

Residential Commercial Building

Designed By :

Feras Abo-Aljaysh
Noor Beiwat
Anas Jobran

Supervisor :

Eng.Mai Haddad

Drawing Title :

Columns Details

Drawing No :

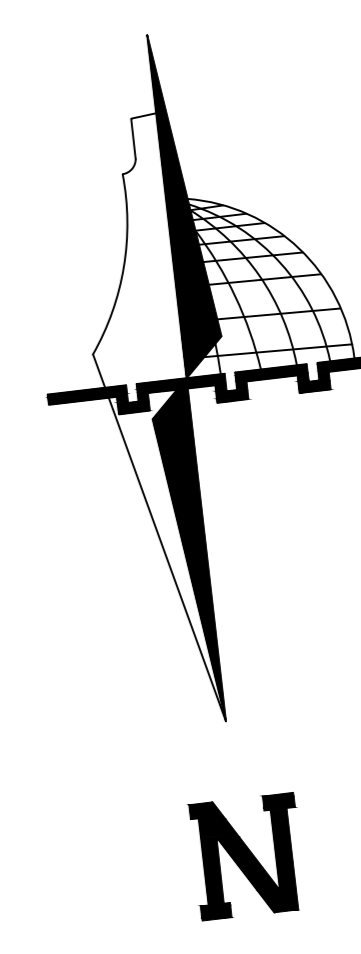
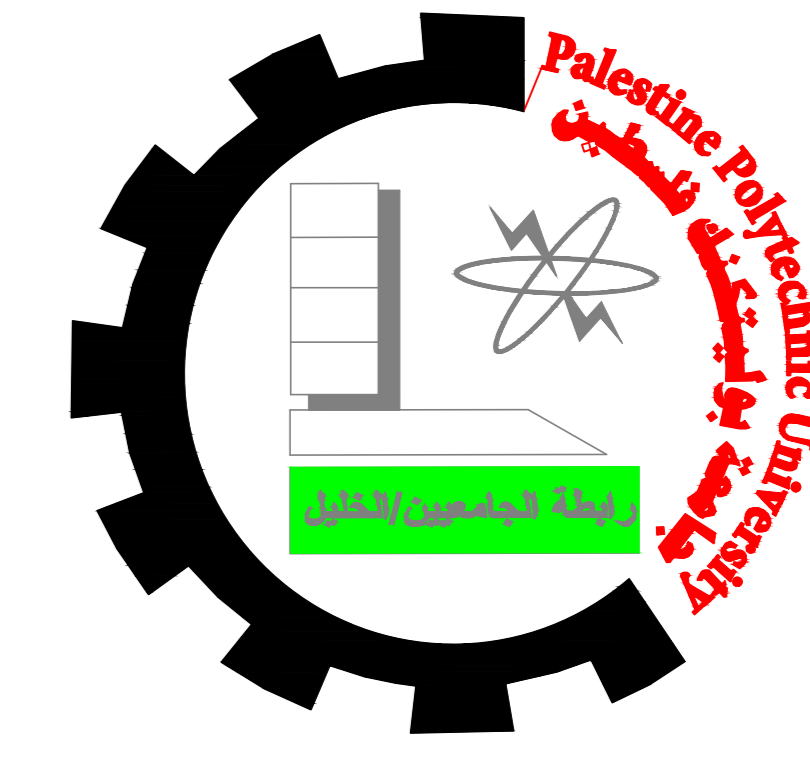
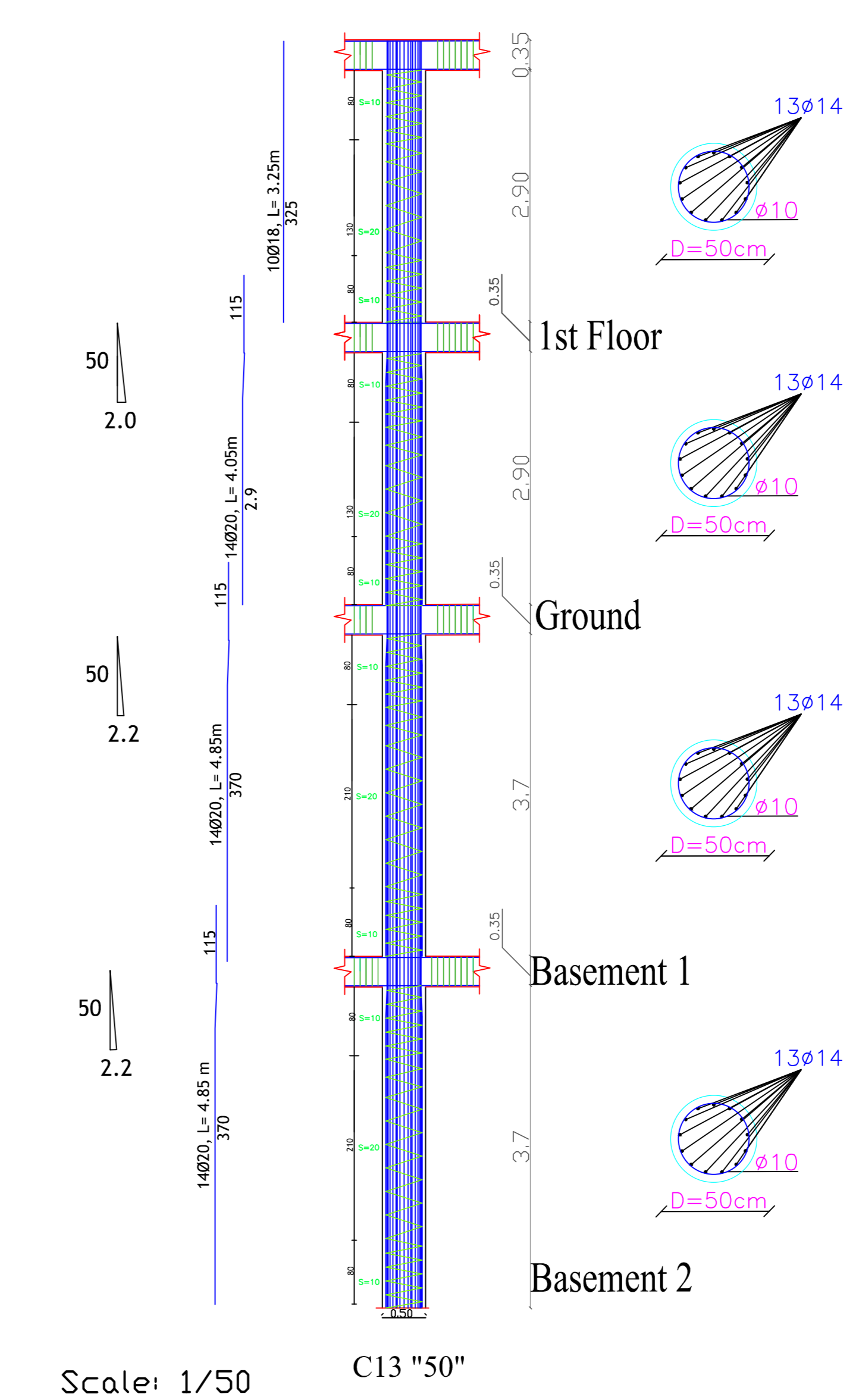
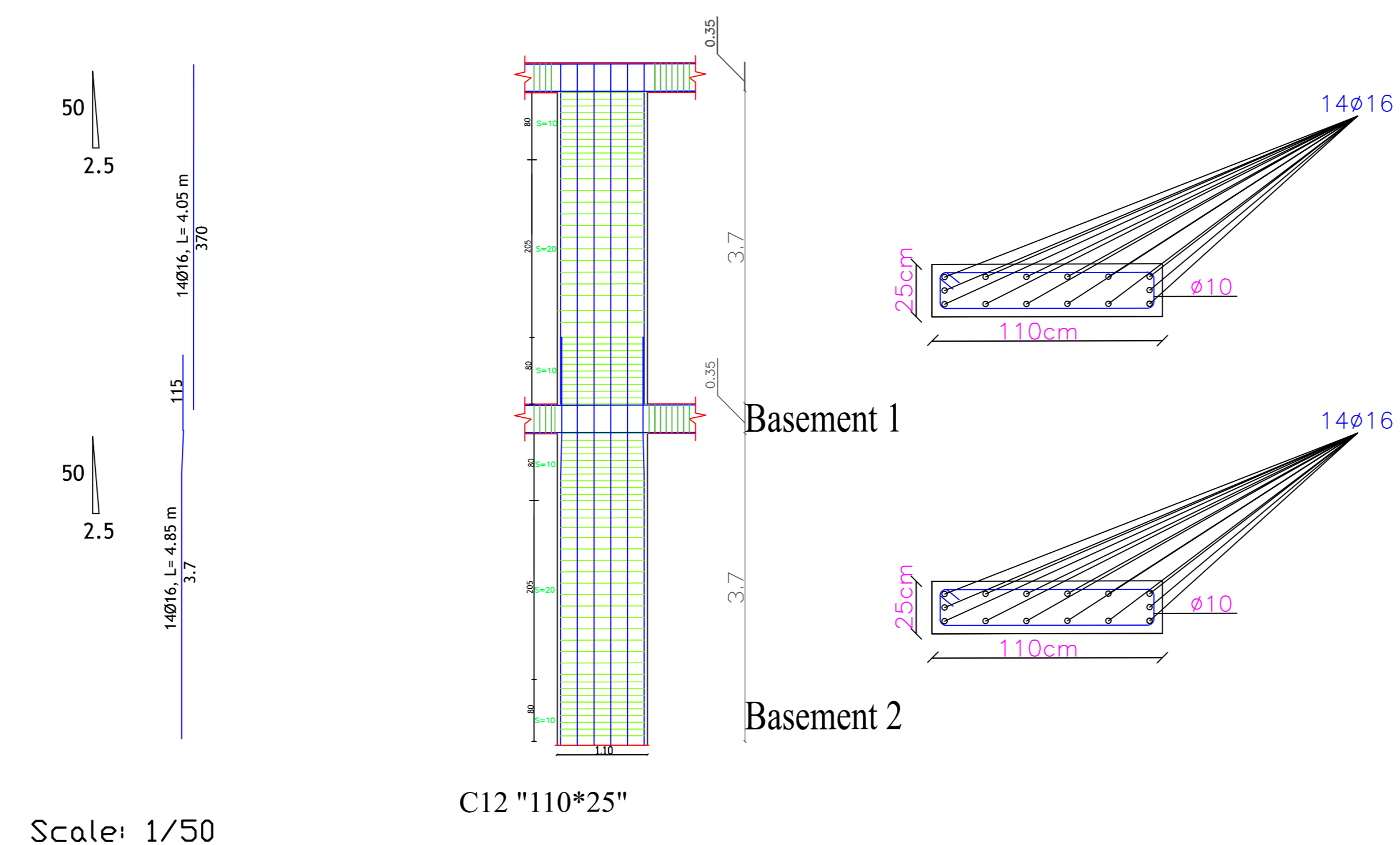
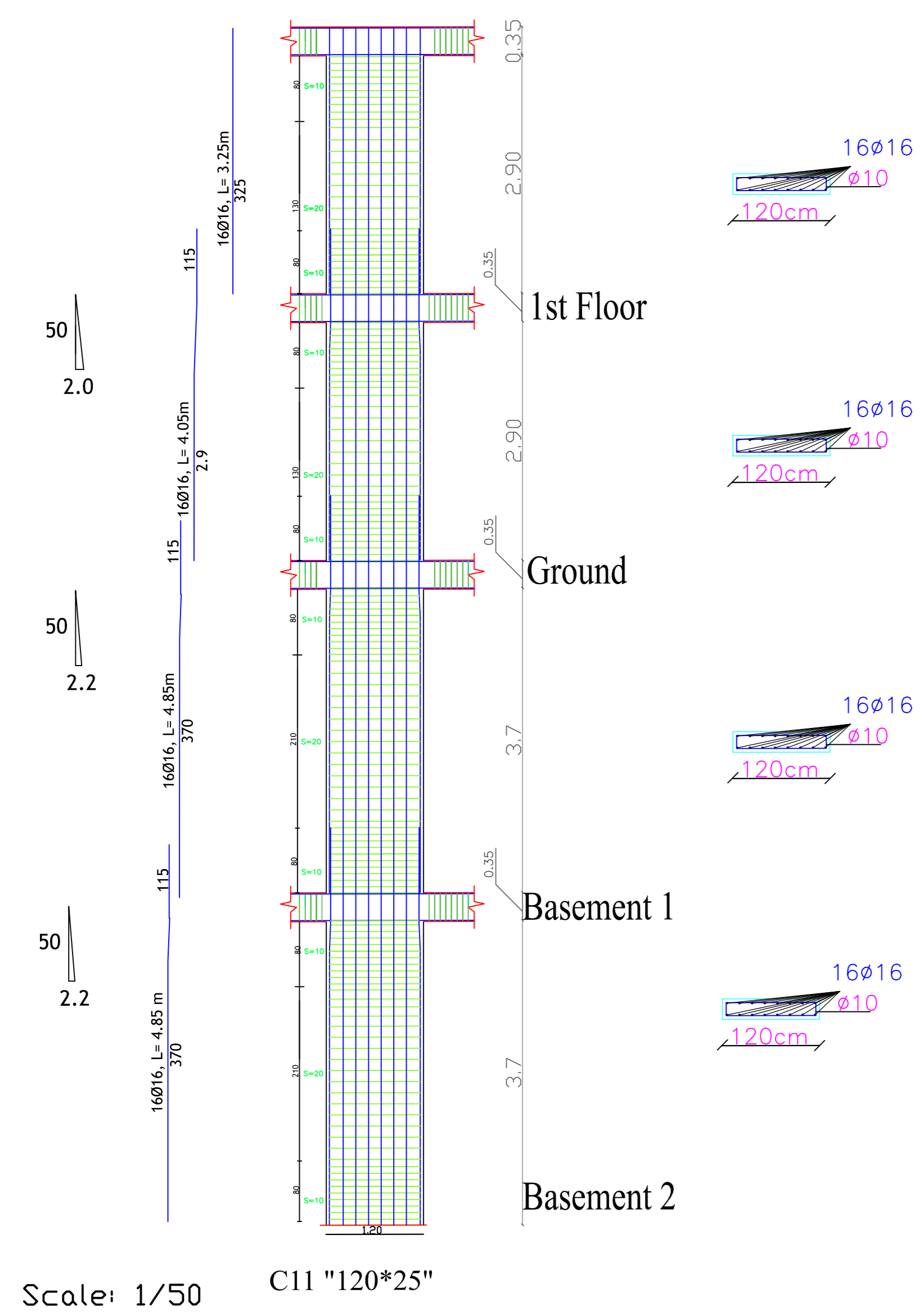
S 04

Date : 2/6/2021

View scale 1/50

Cover 4 cm

Columns details



NOTES:
All Dimensions are in meters unless otherwise shown.
All spot levels are in meters.

Palestine Polytechnic University
Civil. & Arch. Eng. Department
Building Engineering
Project:
Residential Commercial Building
Designed By:
Feras Abo-Aljraysh
Noor Beiwat
Anas Jobran
Supervisor:
Eng. Mai Haddad

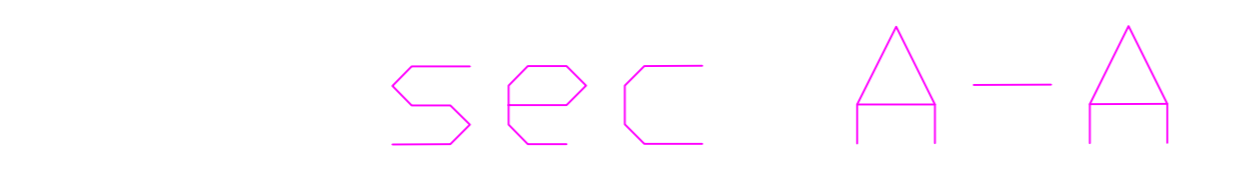
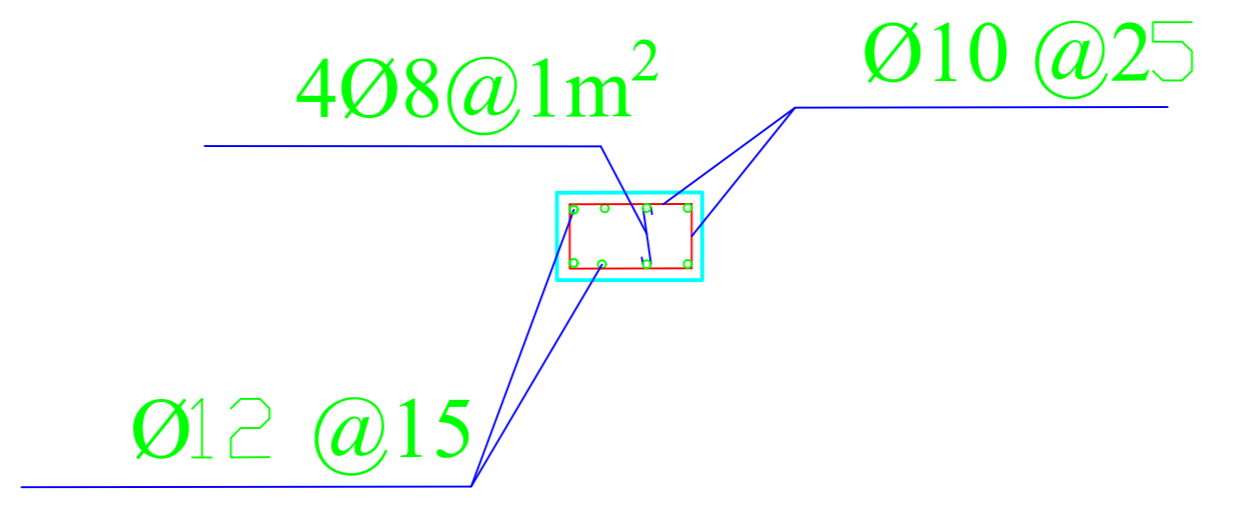
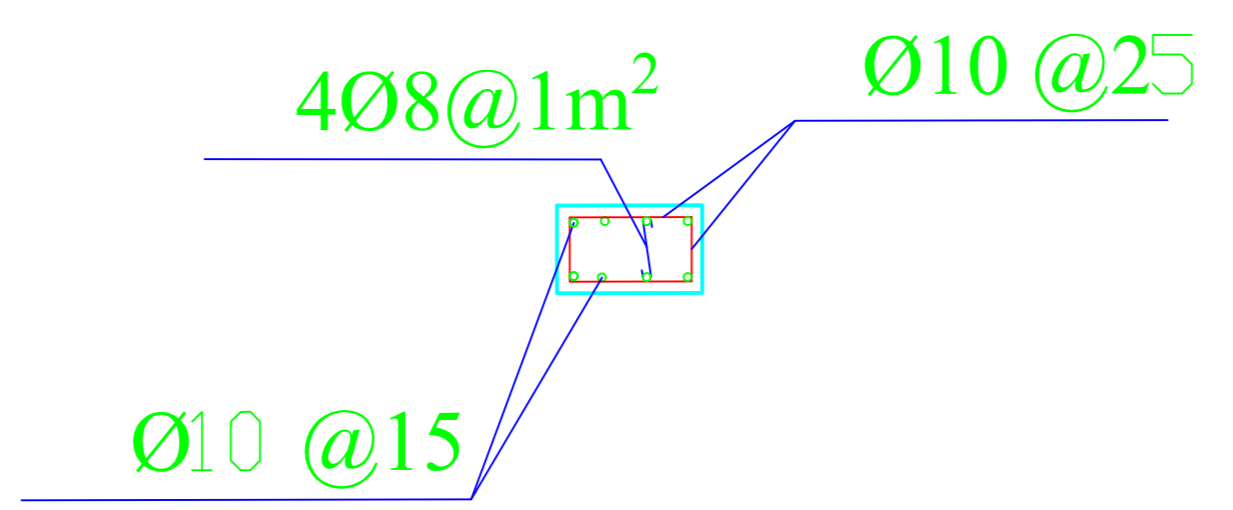
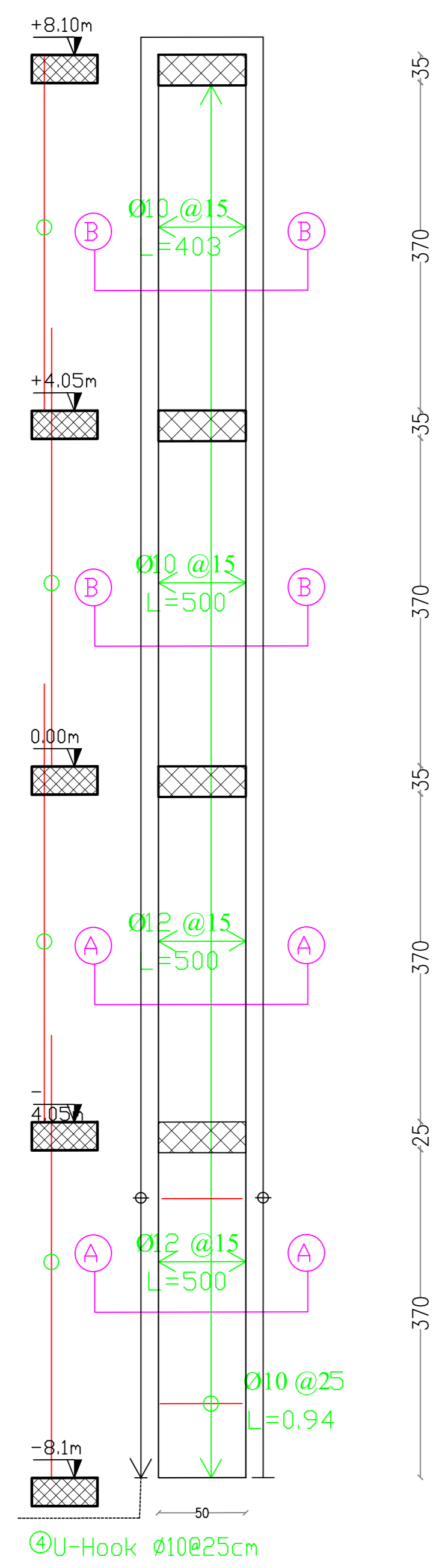
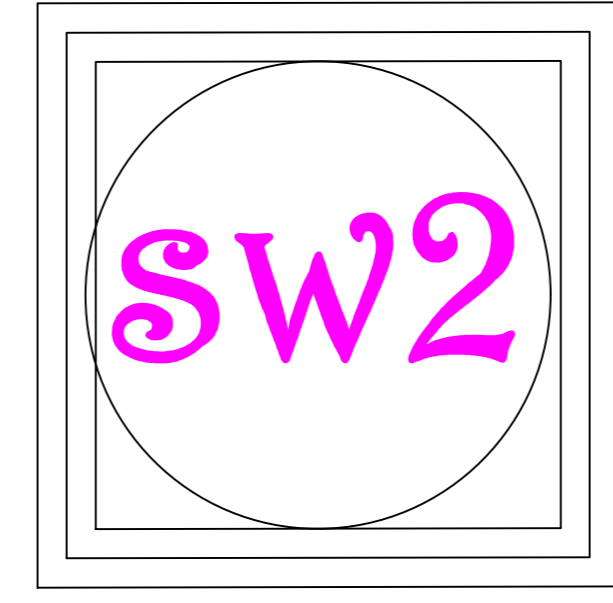
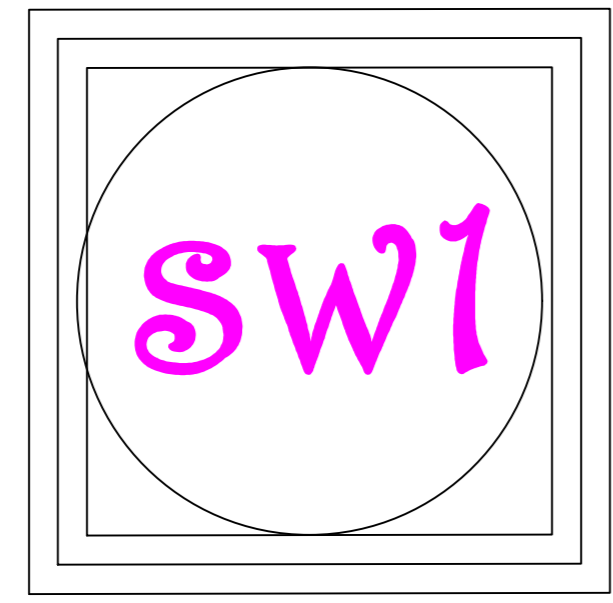
Drawing Title:
Columns Details

Drawing No:
S 05

Date: 2/6/2021

View scale: 1/50

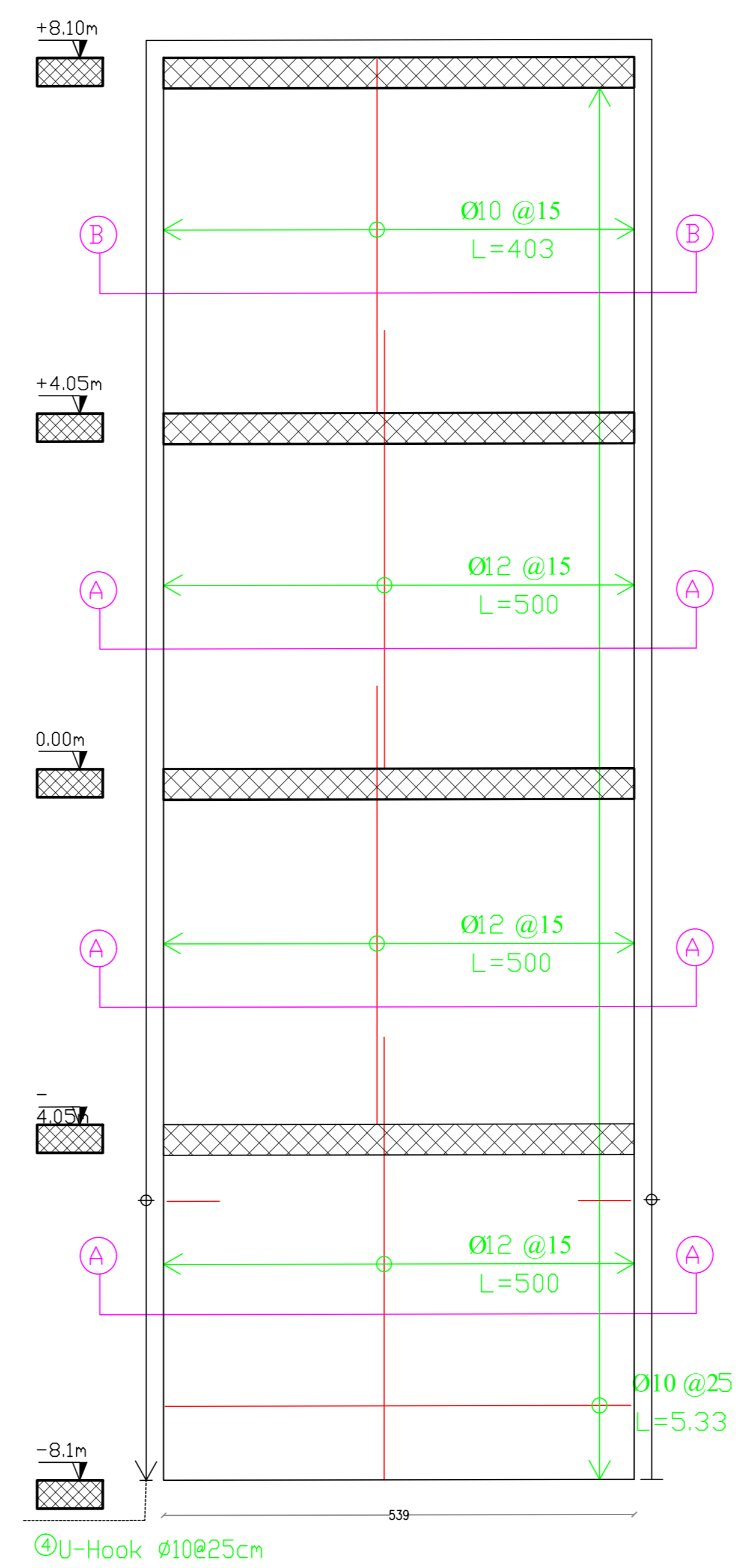
Cover: 4 cm



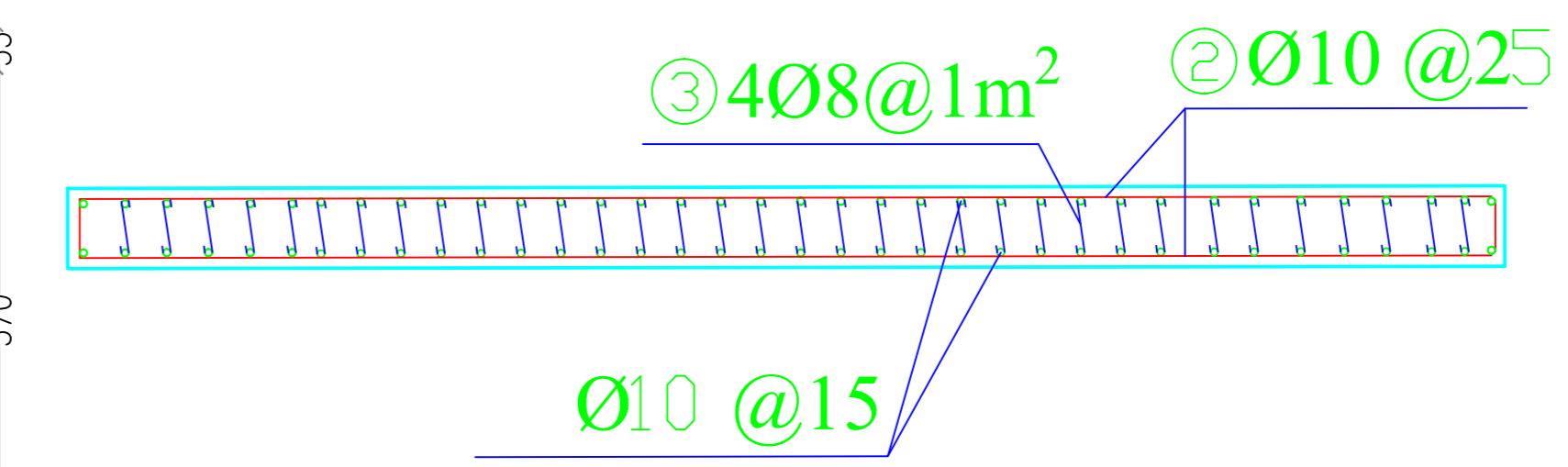
Scale 1 : 25 Scale 1 : 25

sec A-A

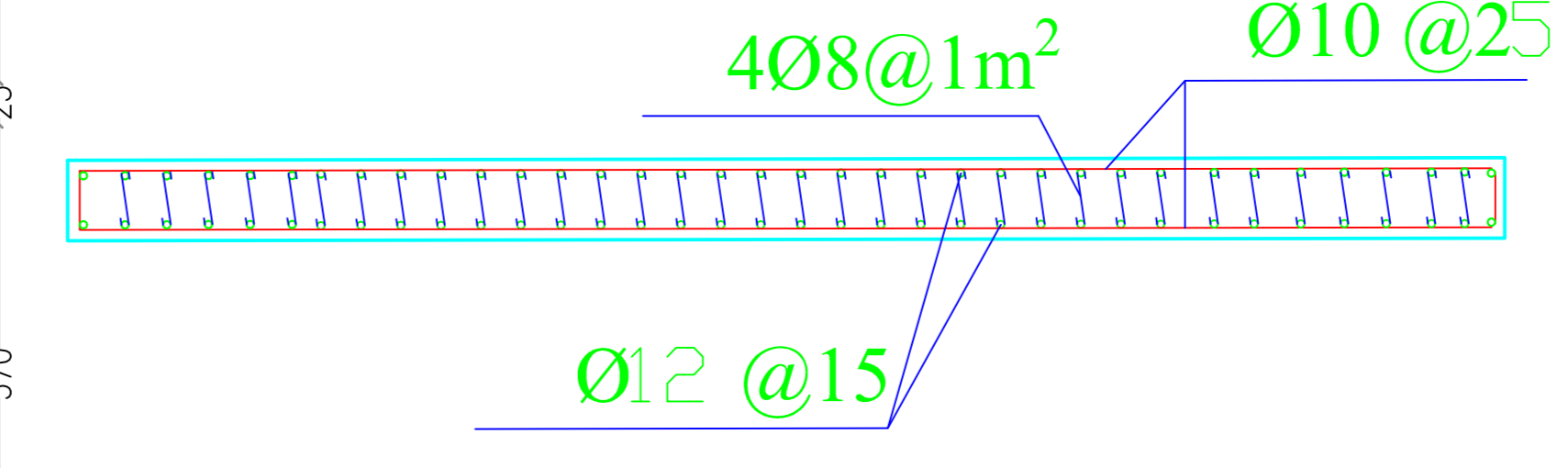
sec A-A



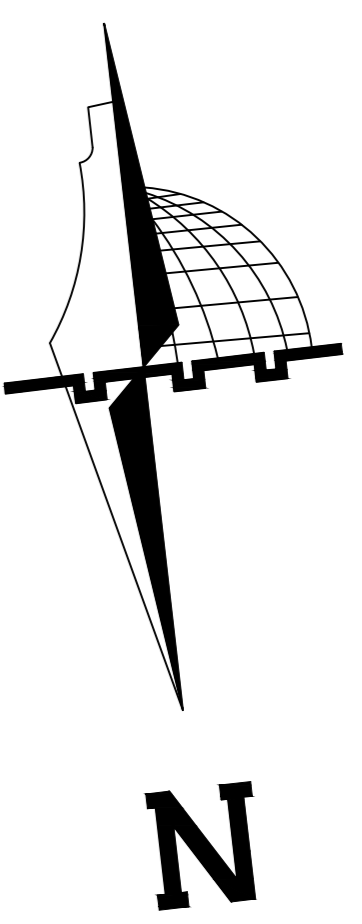
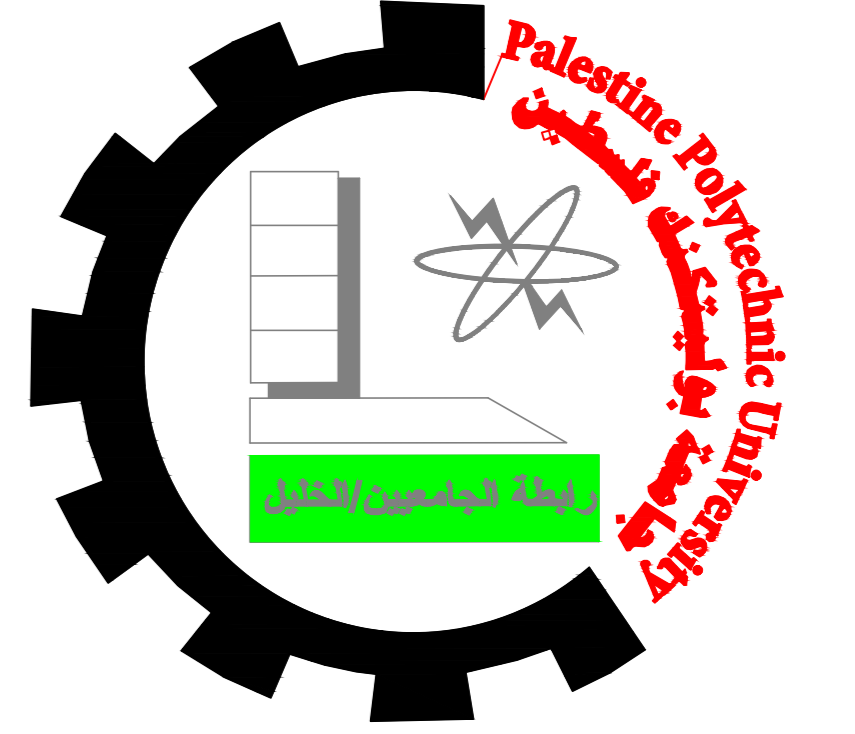
Scale 1 : 50



sec B-B



sec A-A
Scale 1 : 25



NOTES:

All Dimensions are in meters unless otherwise shown.
All spot levels are in meters.

Palestine Polytechnic University
Civil. & Arch. Eng. Department
Building Engineering

Project:
Residential Commercial Building

Designed By:
Feras Abo-Aljaysh
Noor Beiwat
Anas Jobran

Supervisor:
Eng. Mai Haddad

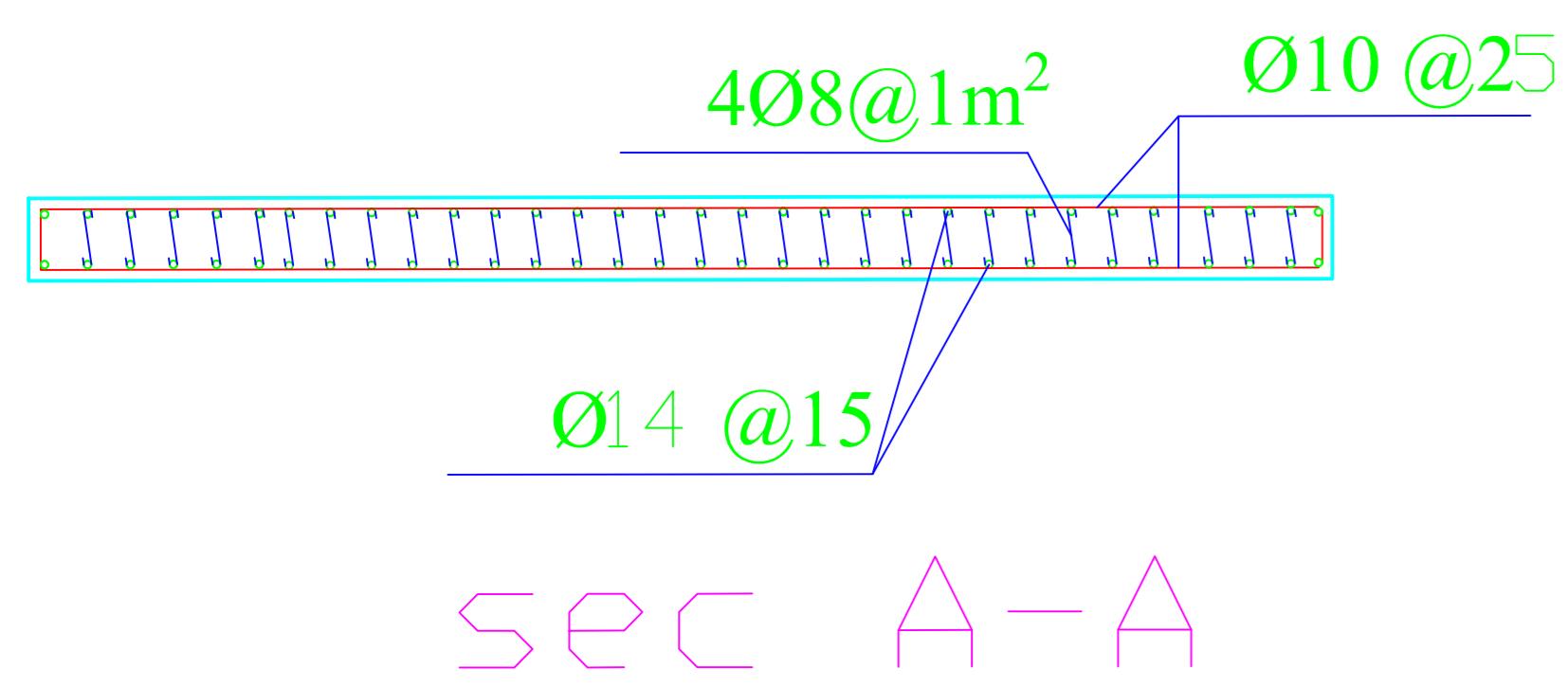
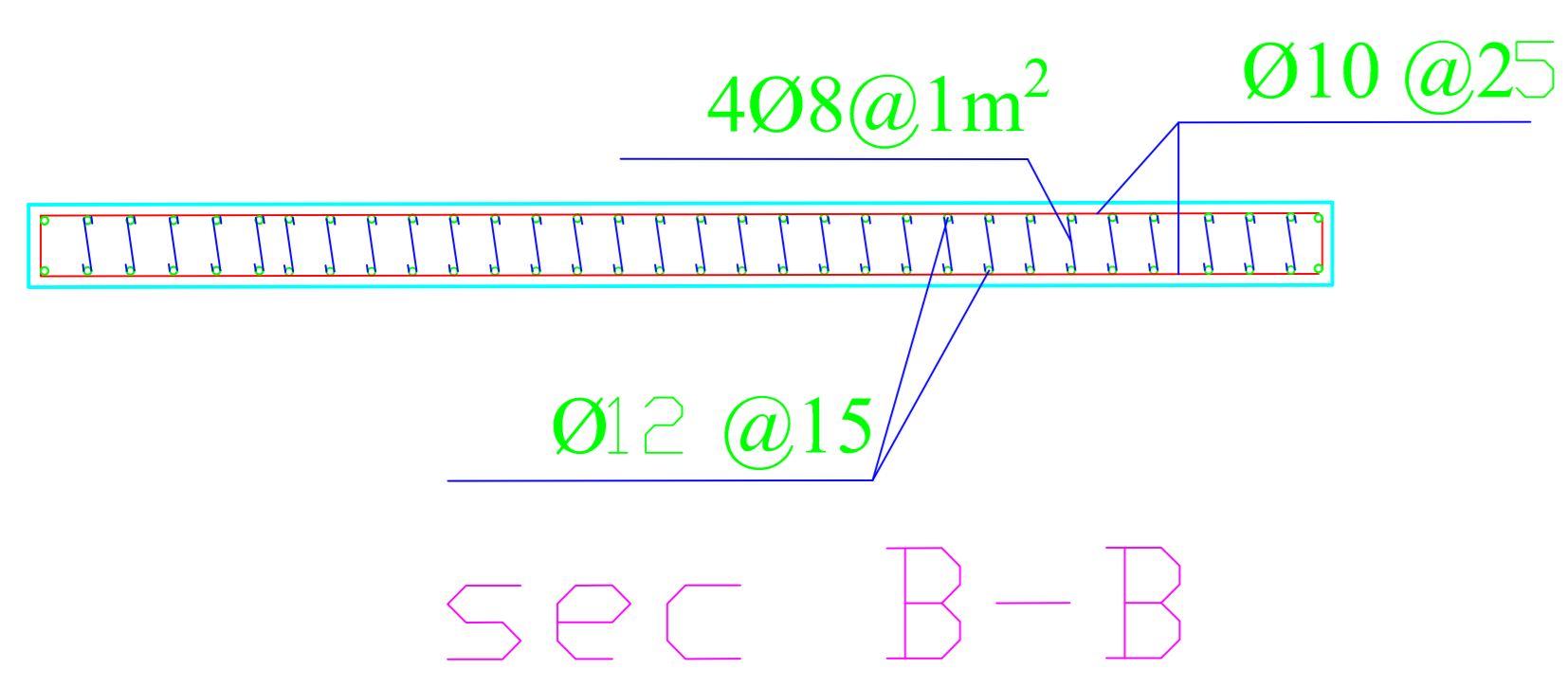
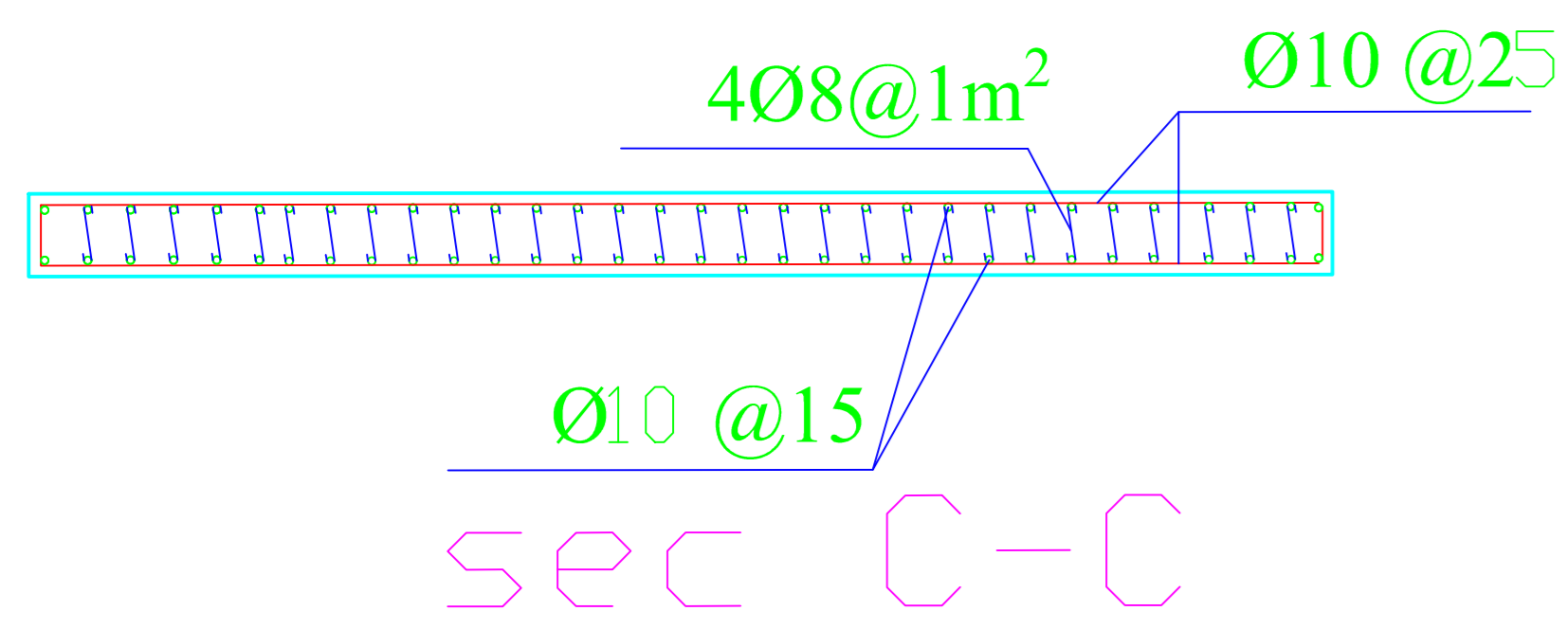
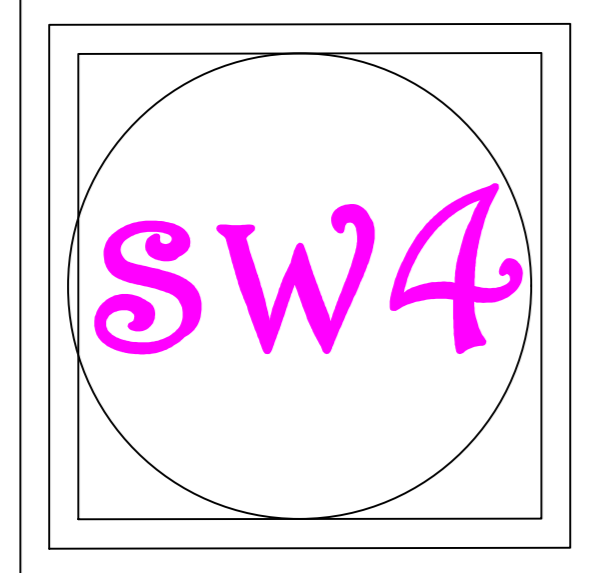
Drawing Title:
Shear wall Details

Drawing No :
S 06

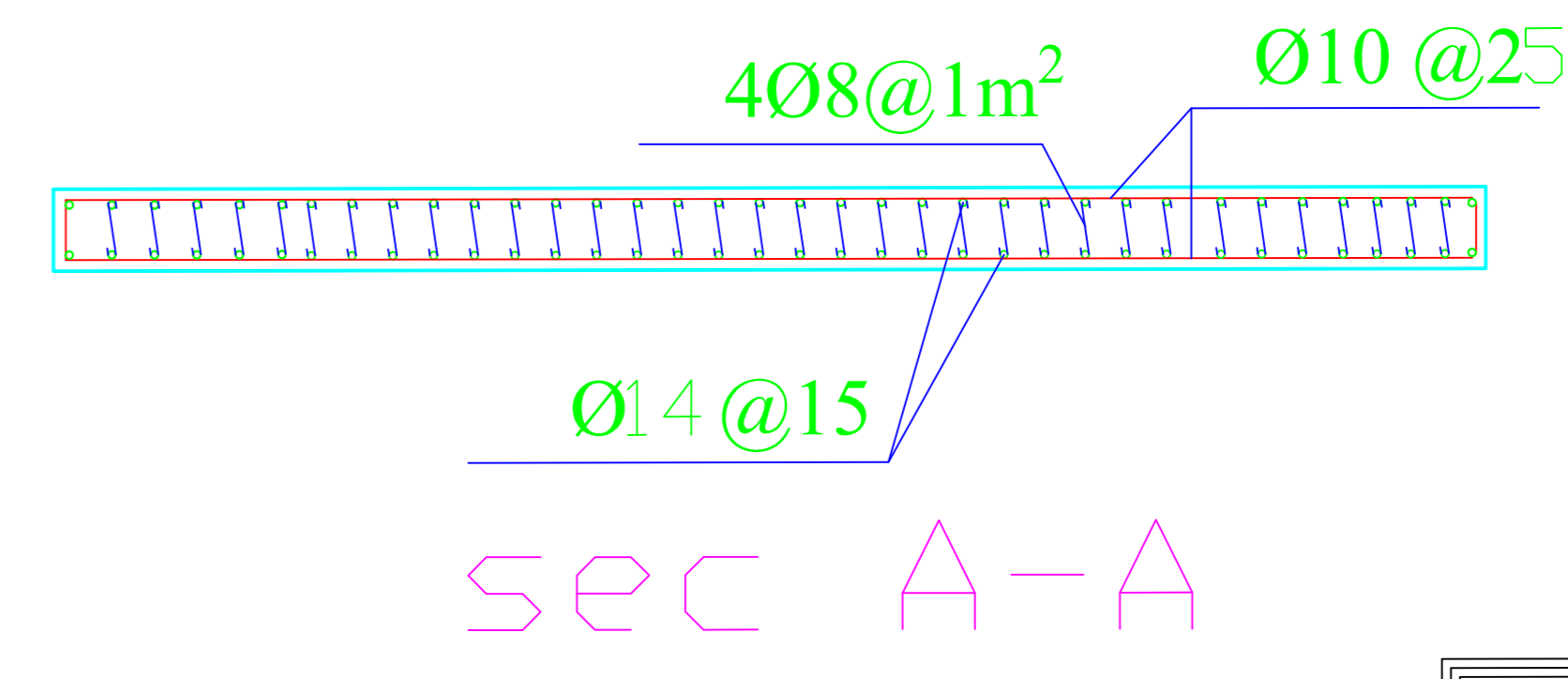
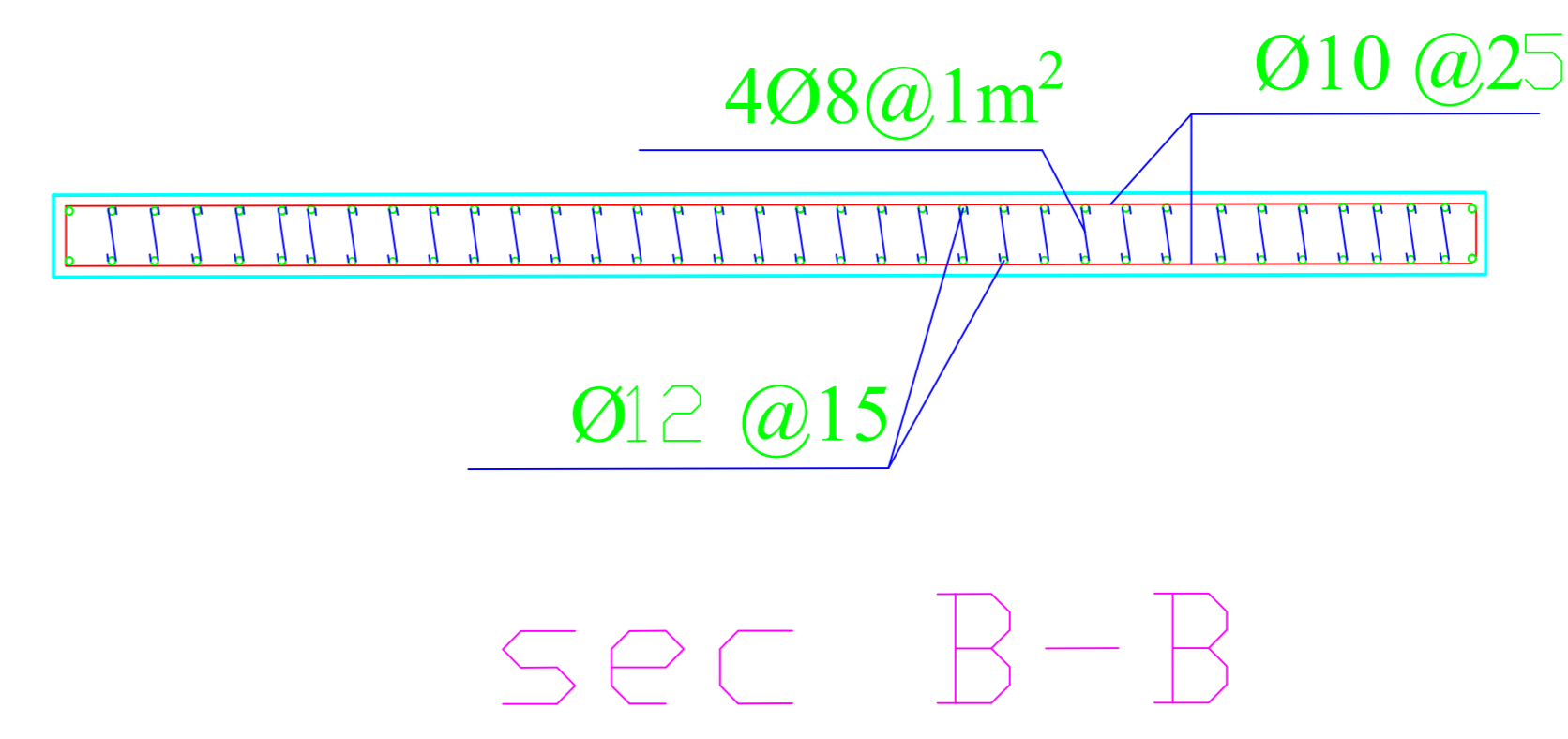
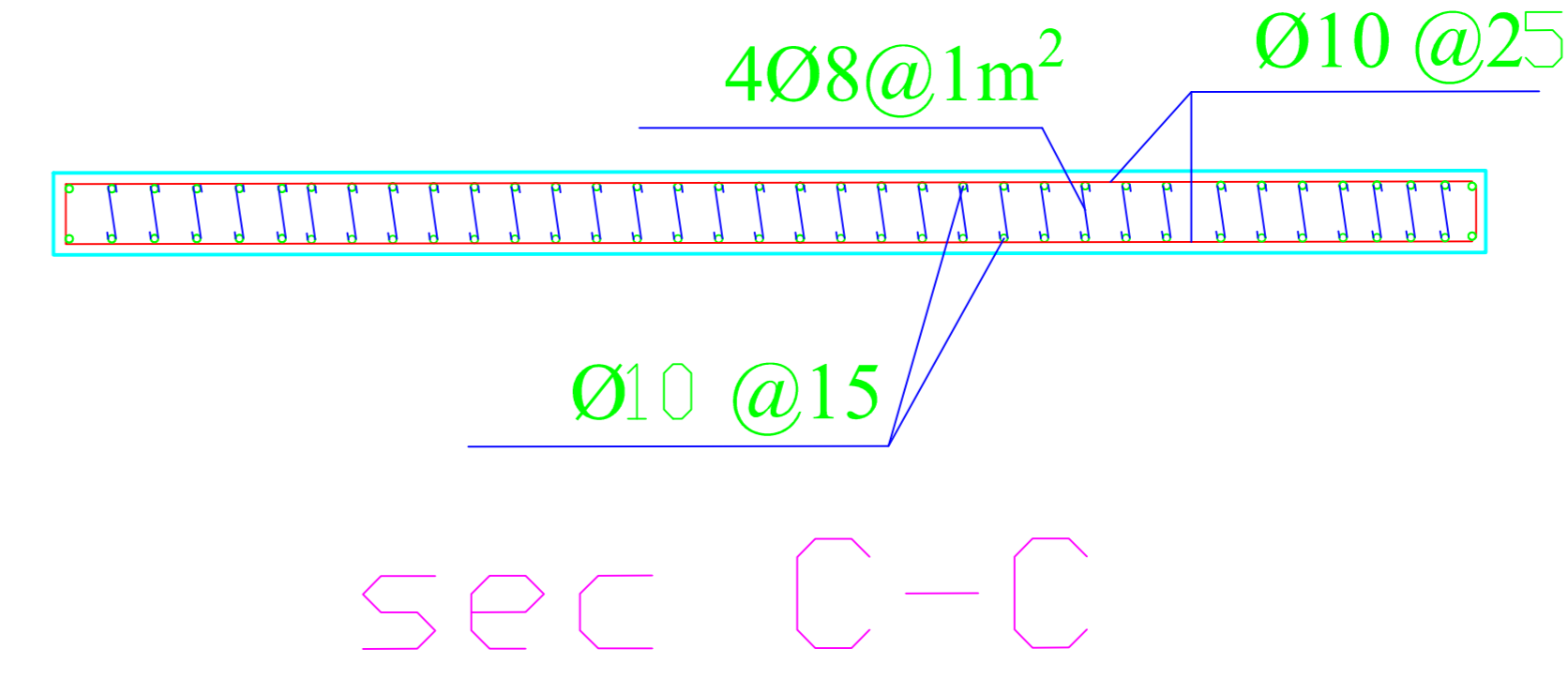
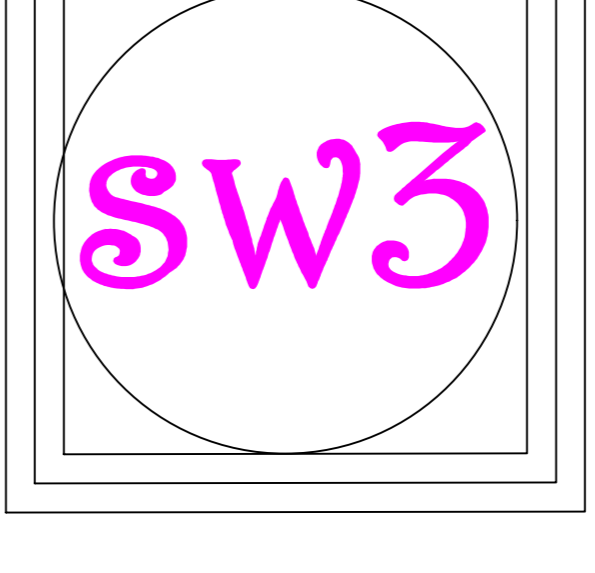
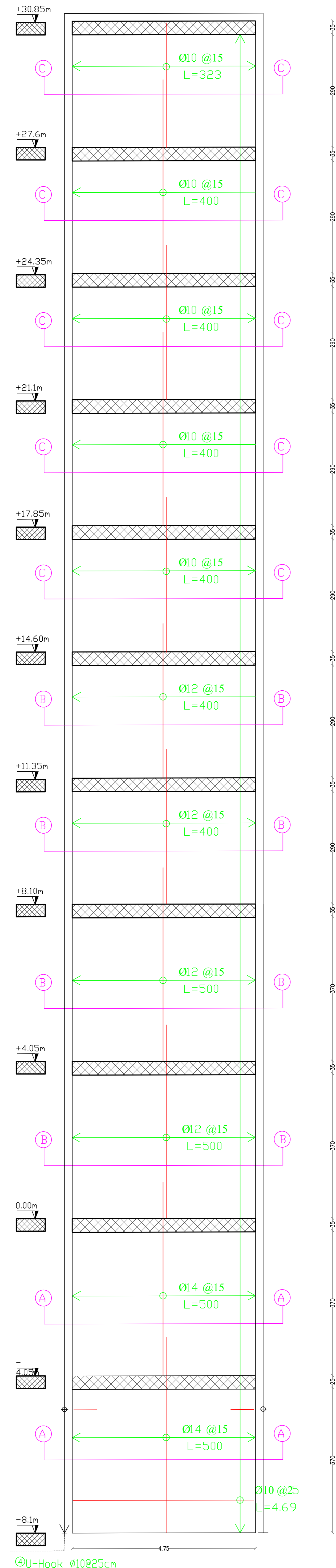
Date : 2/6/2021

View scale 1/50

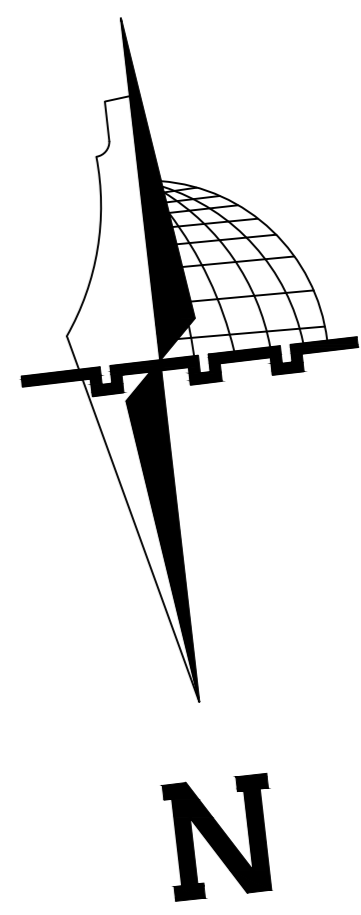
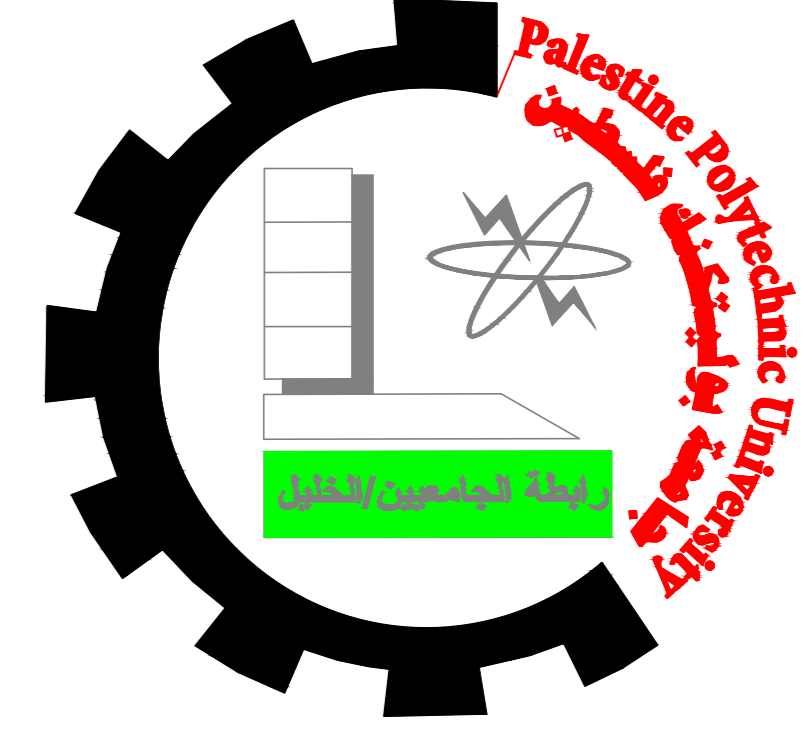
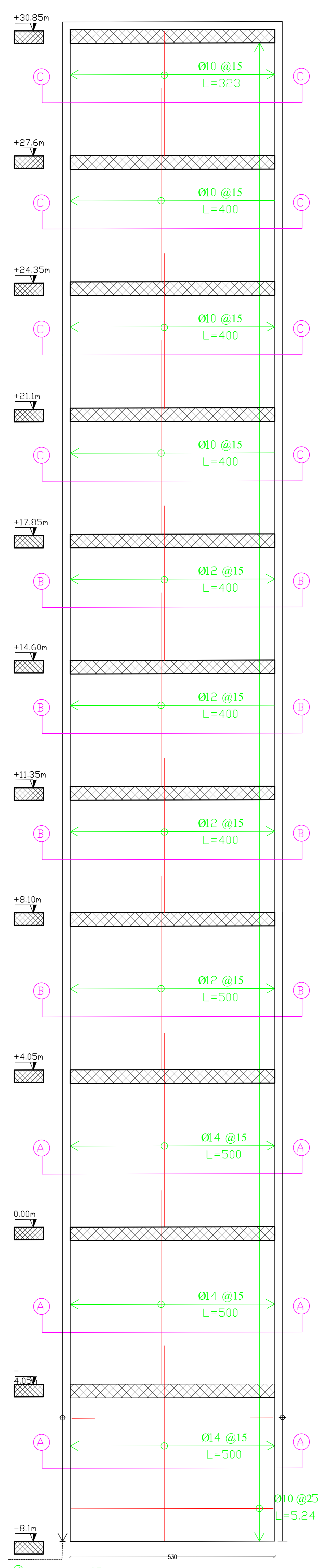
Cover 4 cm



Scale 1 : 25



Scale 1 : 25



NOTES:

All Dimensions are in meters unless otherwise shown.
All spot levels are in meters.

Palestine Polytechnic University
Civil. & Arch. Eng. Department
Building Engineering

Project:
Residential Commercial Building
Designed By:
Feras Abo-Aljraysh
Noor Beiwat
Anas Jobran

Supervisor:
Eng.Mai Haddad

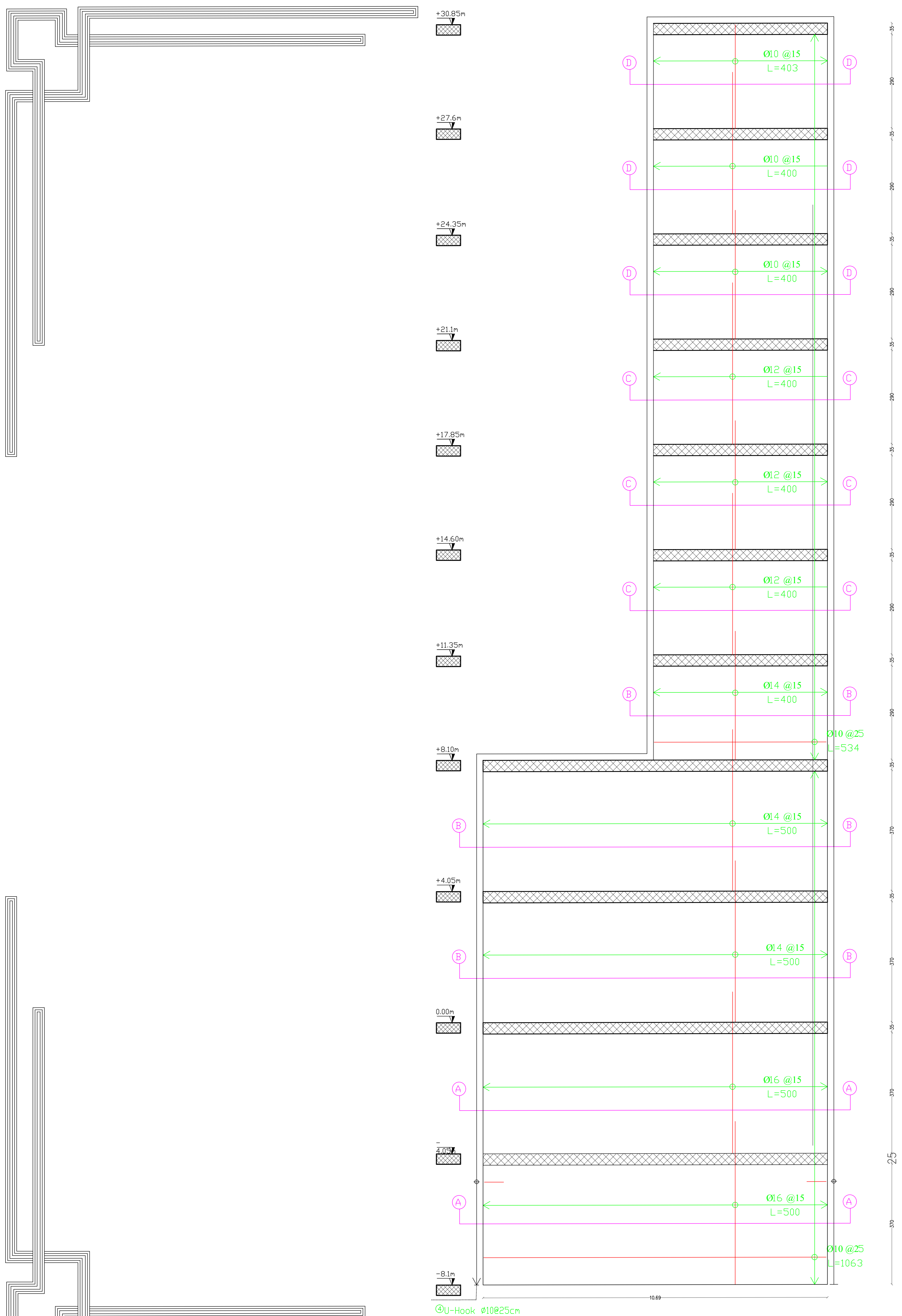
Drawing Title:
Shear wall Details

Drawing No :
S 07

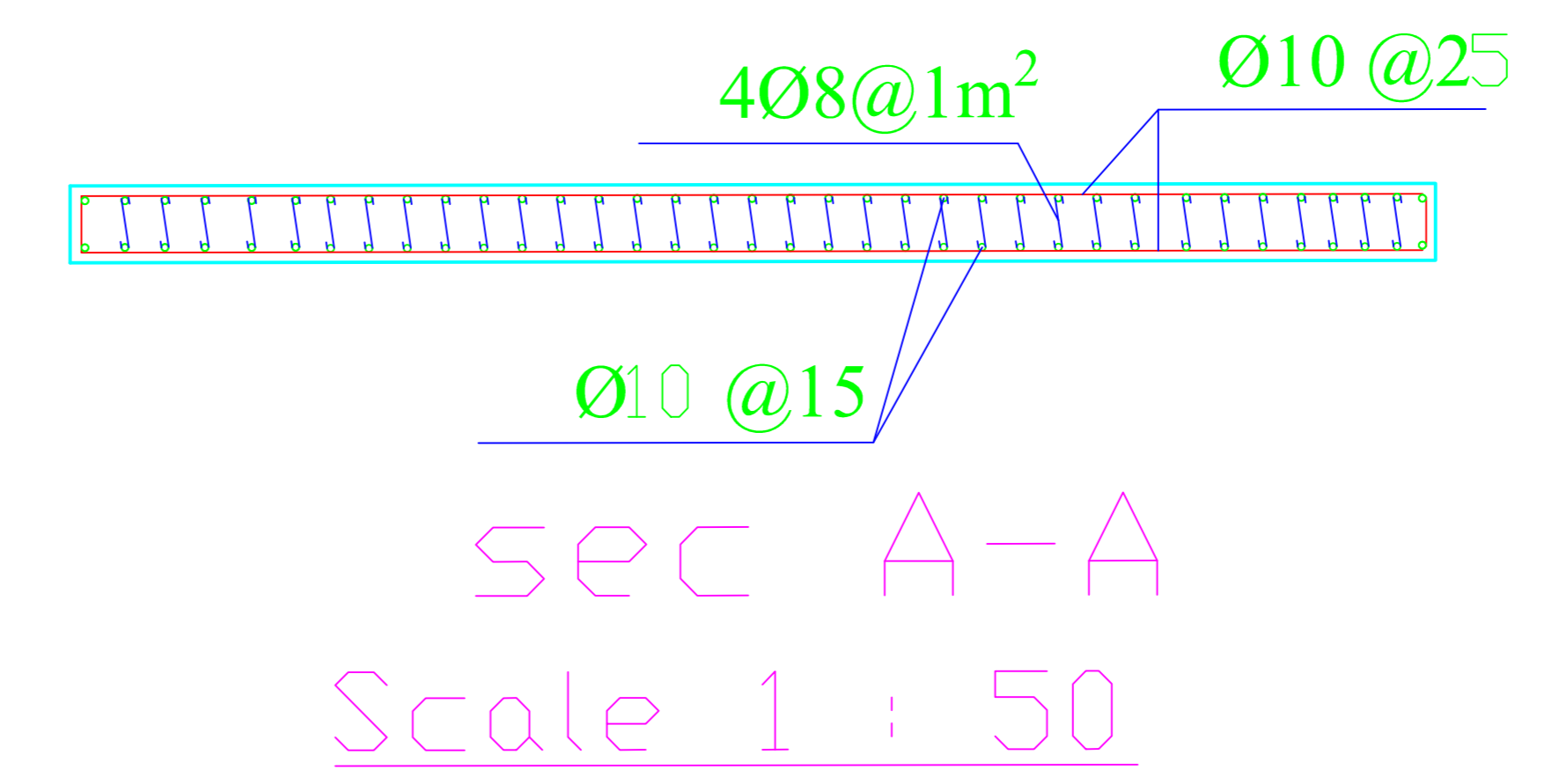
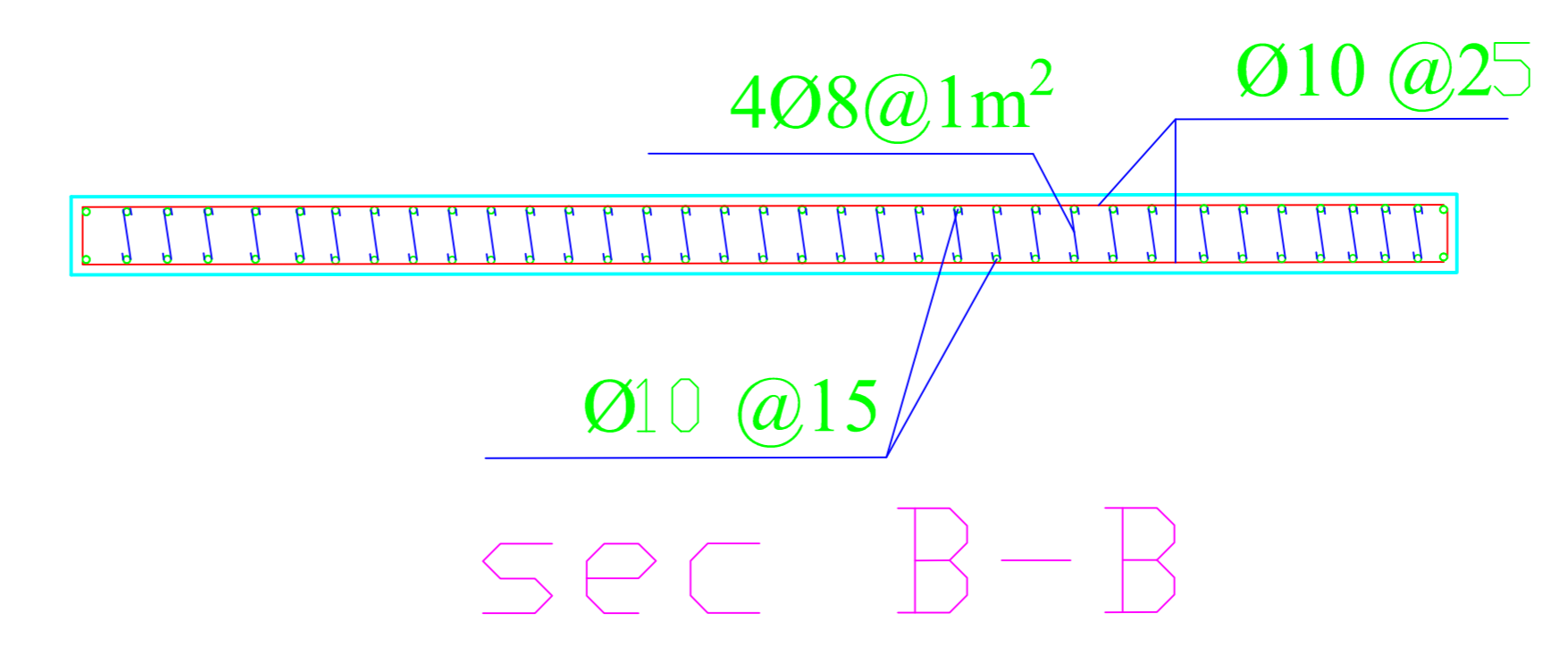
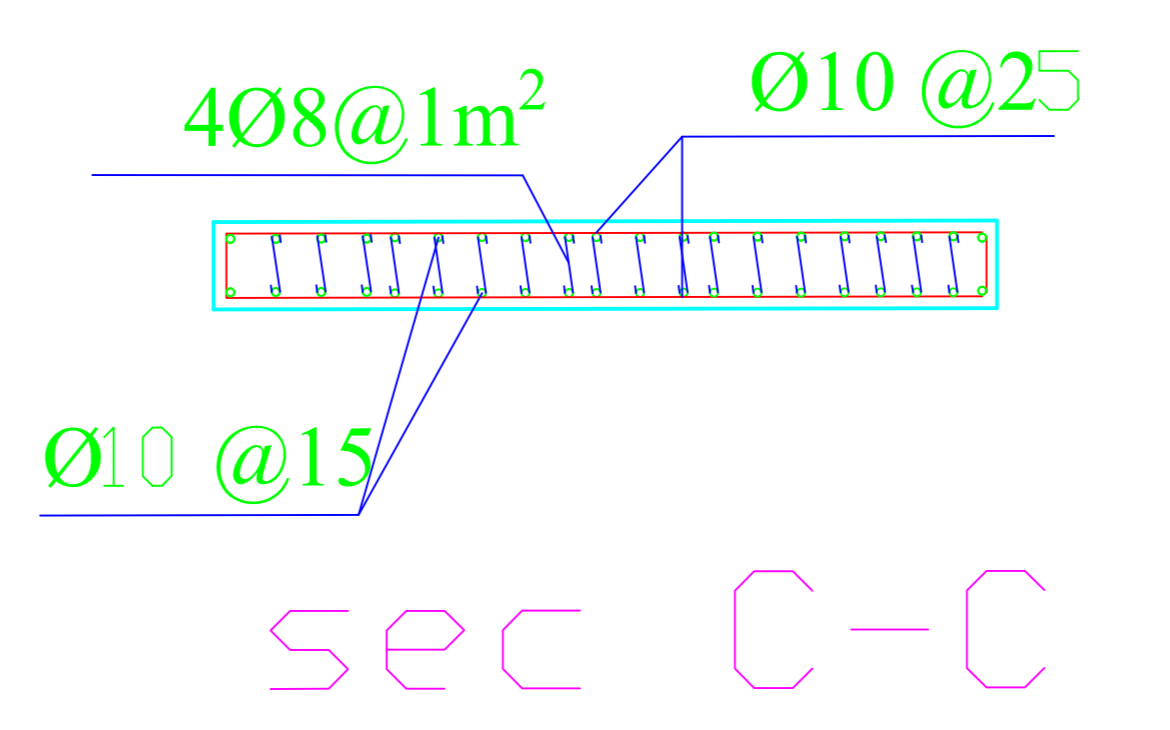
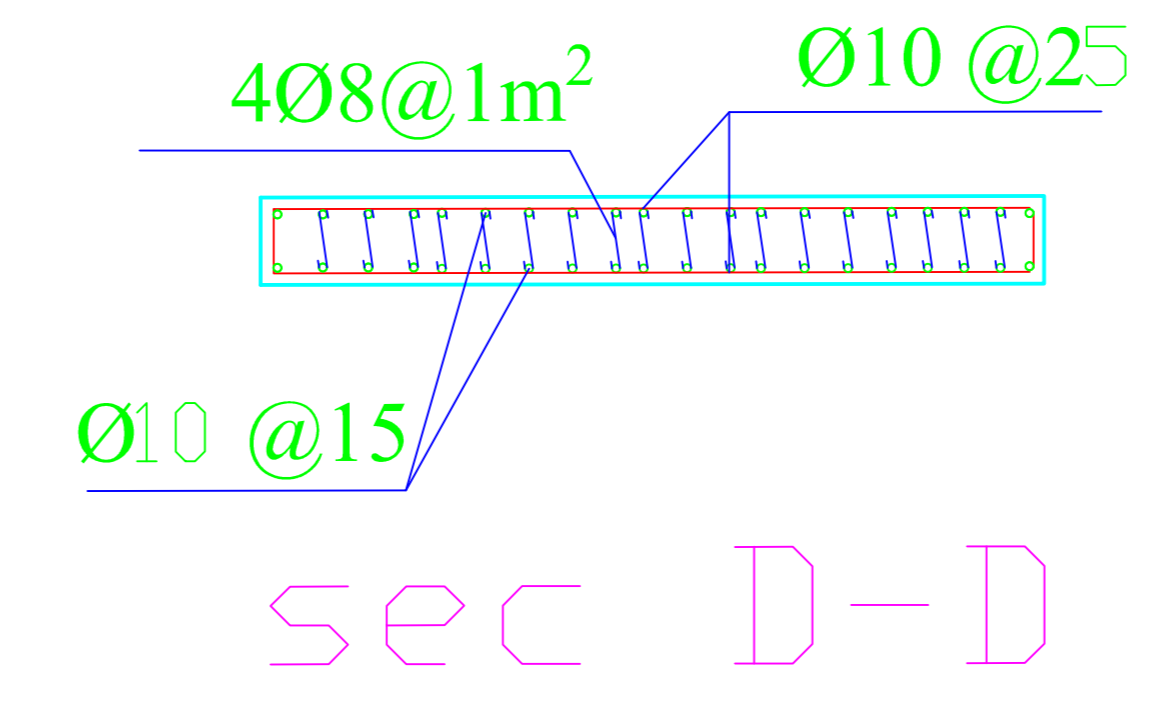
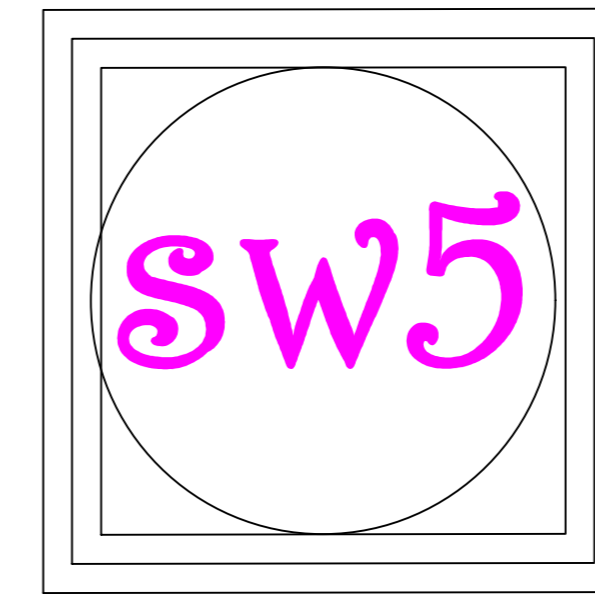
Date : 2/6/2021

View scale 1/50

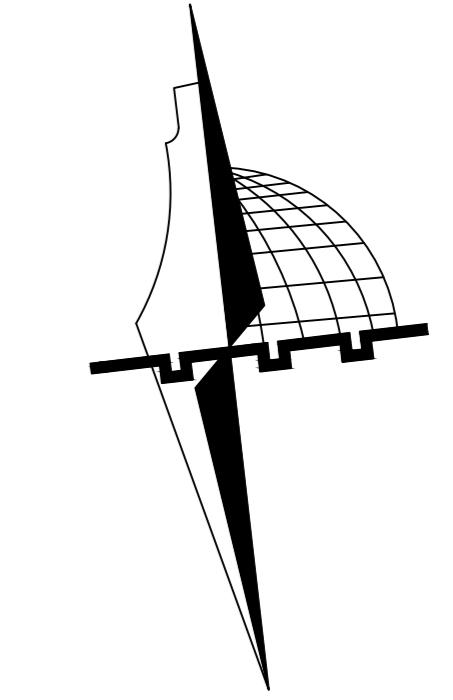
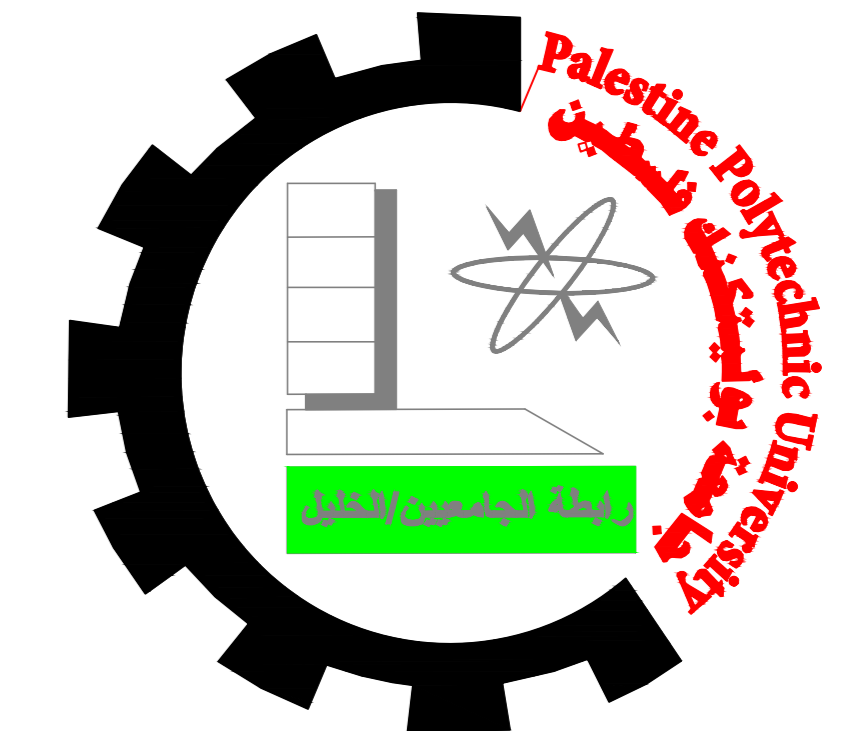
Cover 4 cm



Scale 1 : 50



Scale 1 : 50



N

NOTES:

All Dimensions are in meters unless otherwise shown.
All spot levels are in meters.

Palestine Polytechnic University
Civil. & Arch. Eng. Department
Building Engineering

Project:
Residential Commercial Building
Designed By:
Feras Abo-Aljraysh
Noor Beiwat
Anas Jobran

Supervisor:
Eng.Mai Haddad

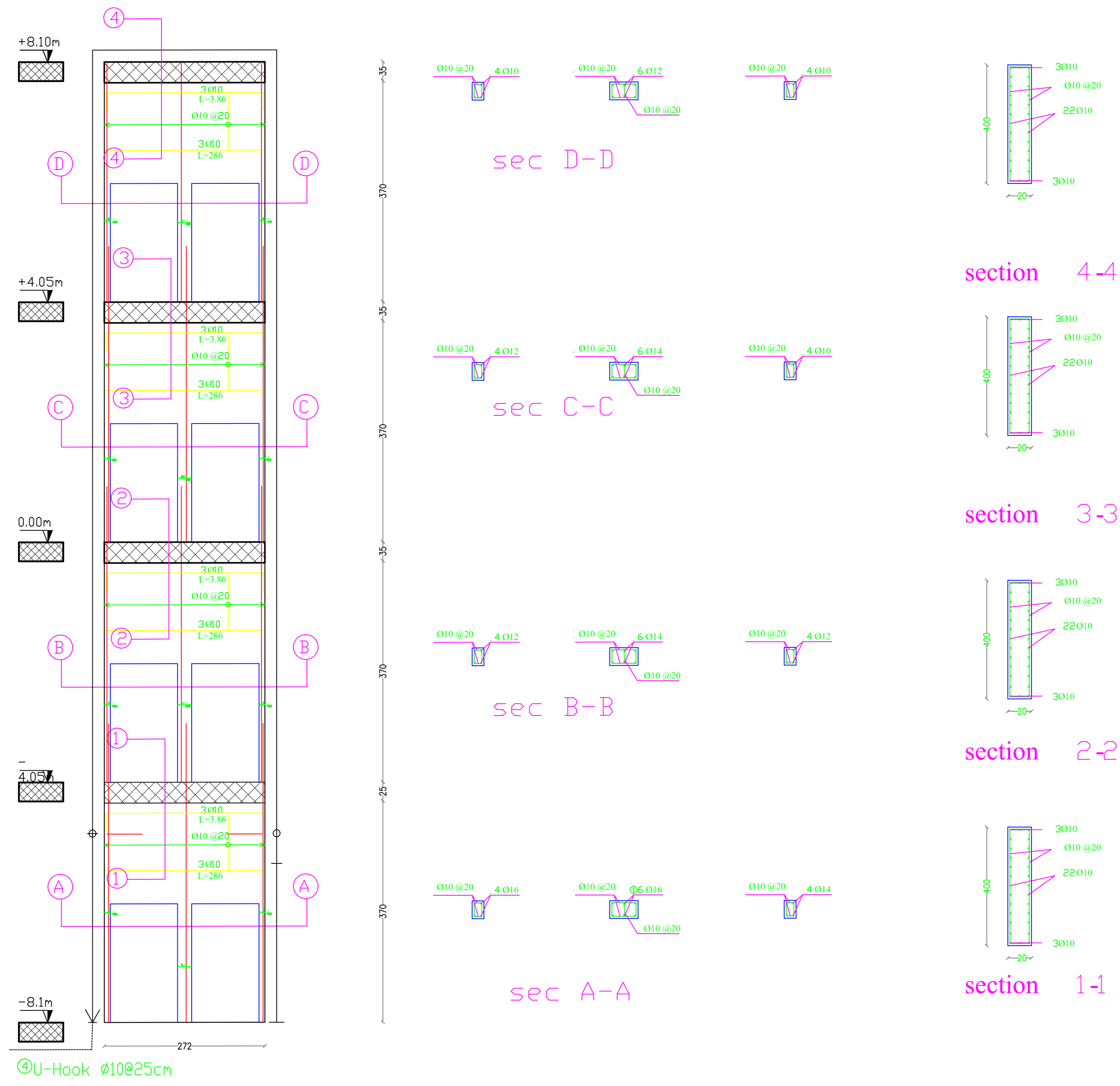
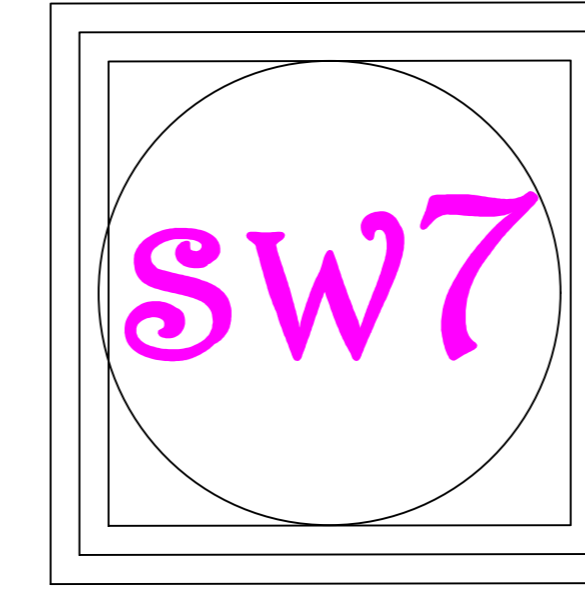
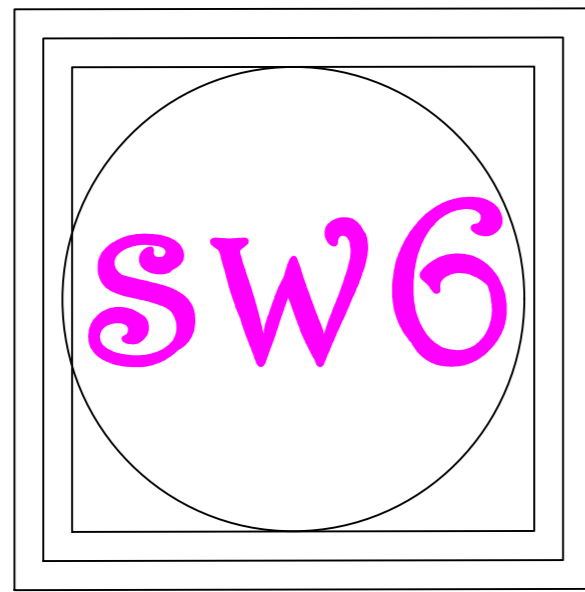
Drawing Title:
Shear wall Details

Drawing No :
S 08

Date : 2/6/2021

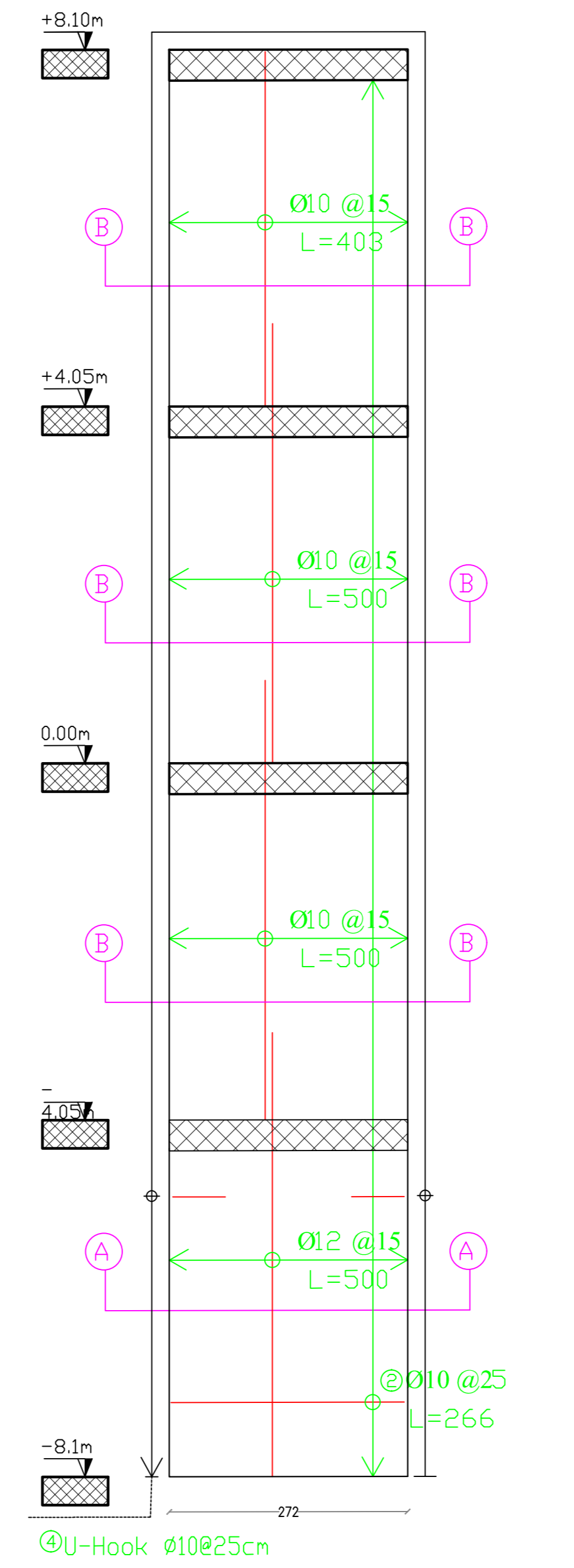
View scale 1/50

Cover 4 cm

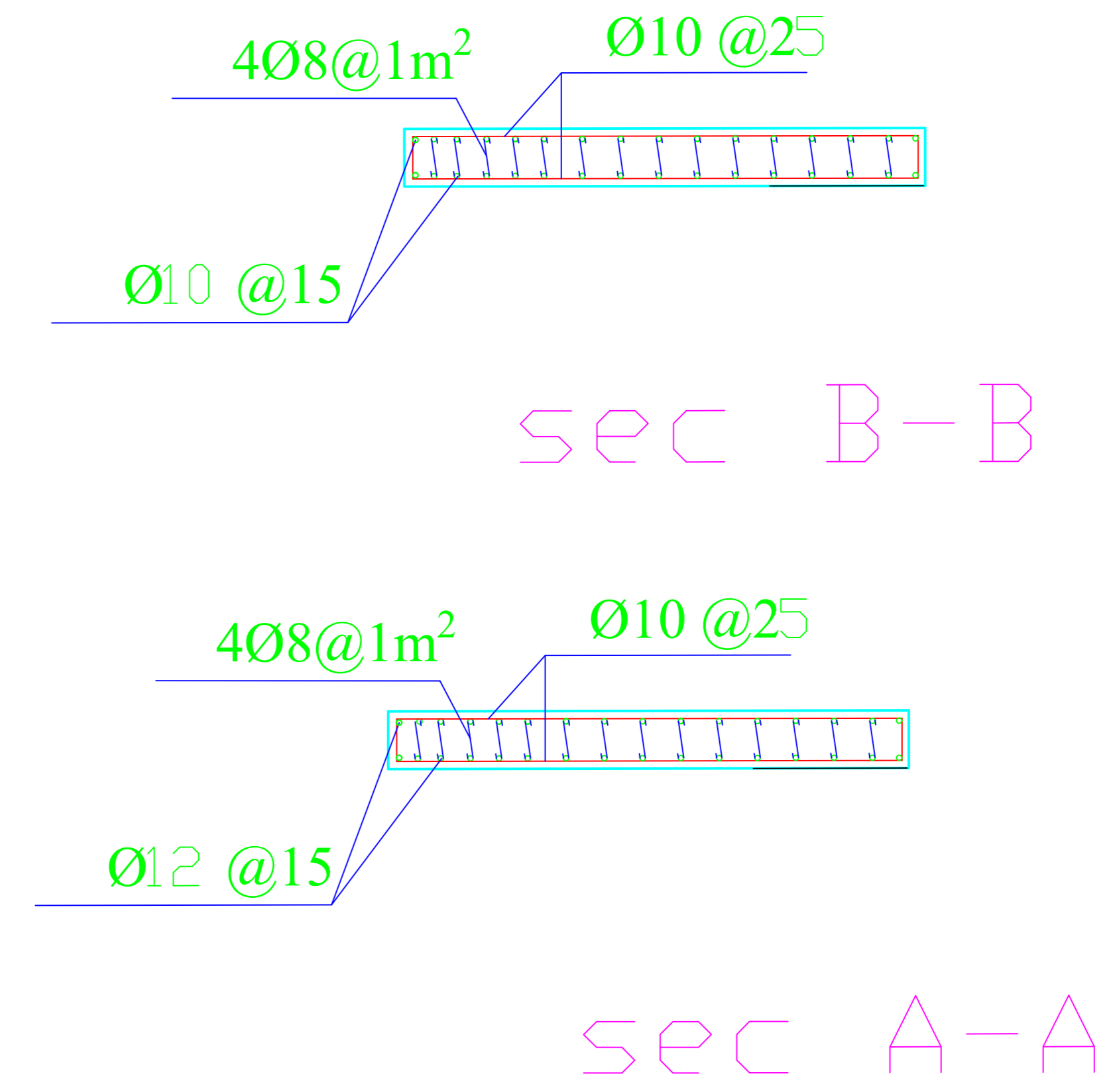


Scale 1 : 50

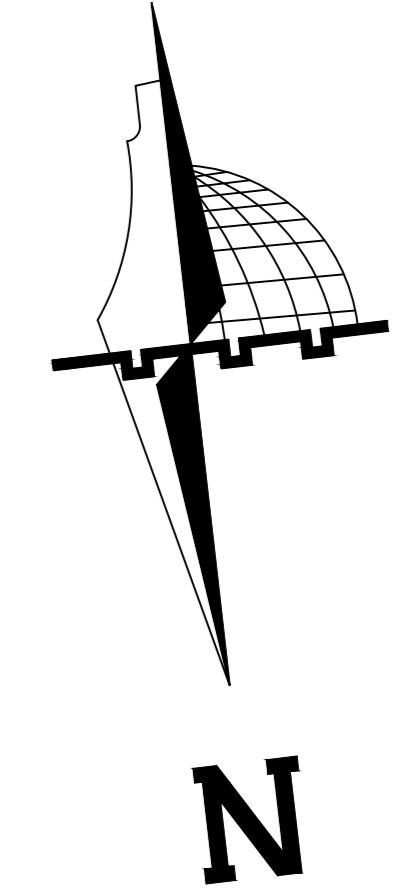
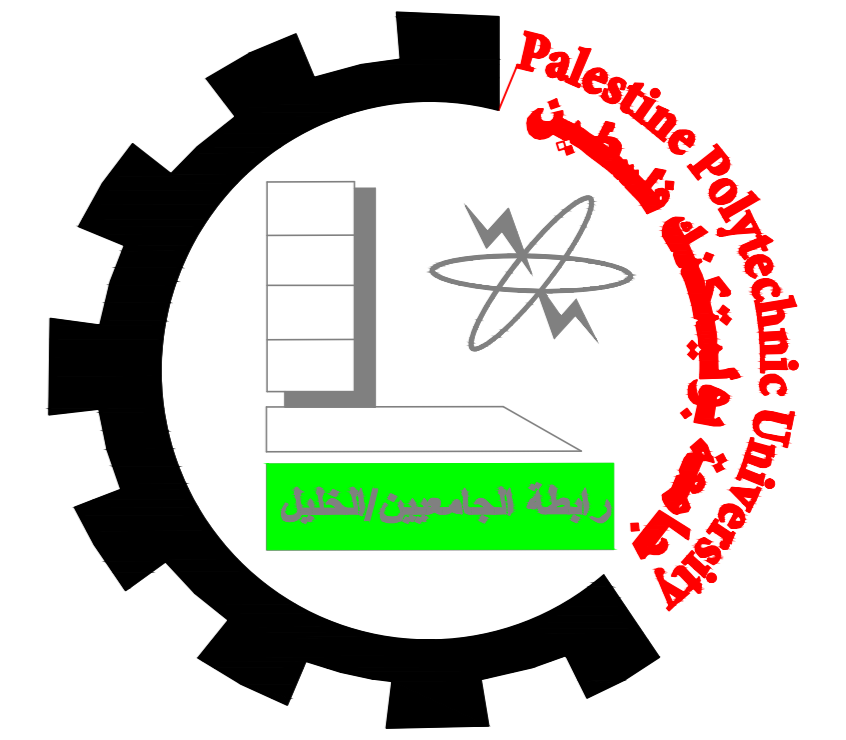
Scale 1 : 25



Scale 1 : 50



Scale 1 : 25



NOTES:

All Dimensions are in meters unless otherwise shown.
All spot levels are in meters.

Palestine Polytechnic University
Civil. & Arch. Eng. Department
Building Engineering

Project:

Residential Commercial Building

Designed By:

Feras Abo-Aljaysh
Noor Beiwat
Anas Jobran

Supervisor:

Eng.Mai Haddad

Drawing Title:

Shear wall Details

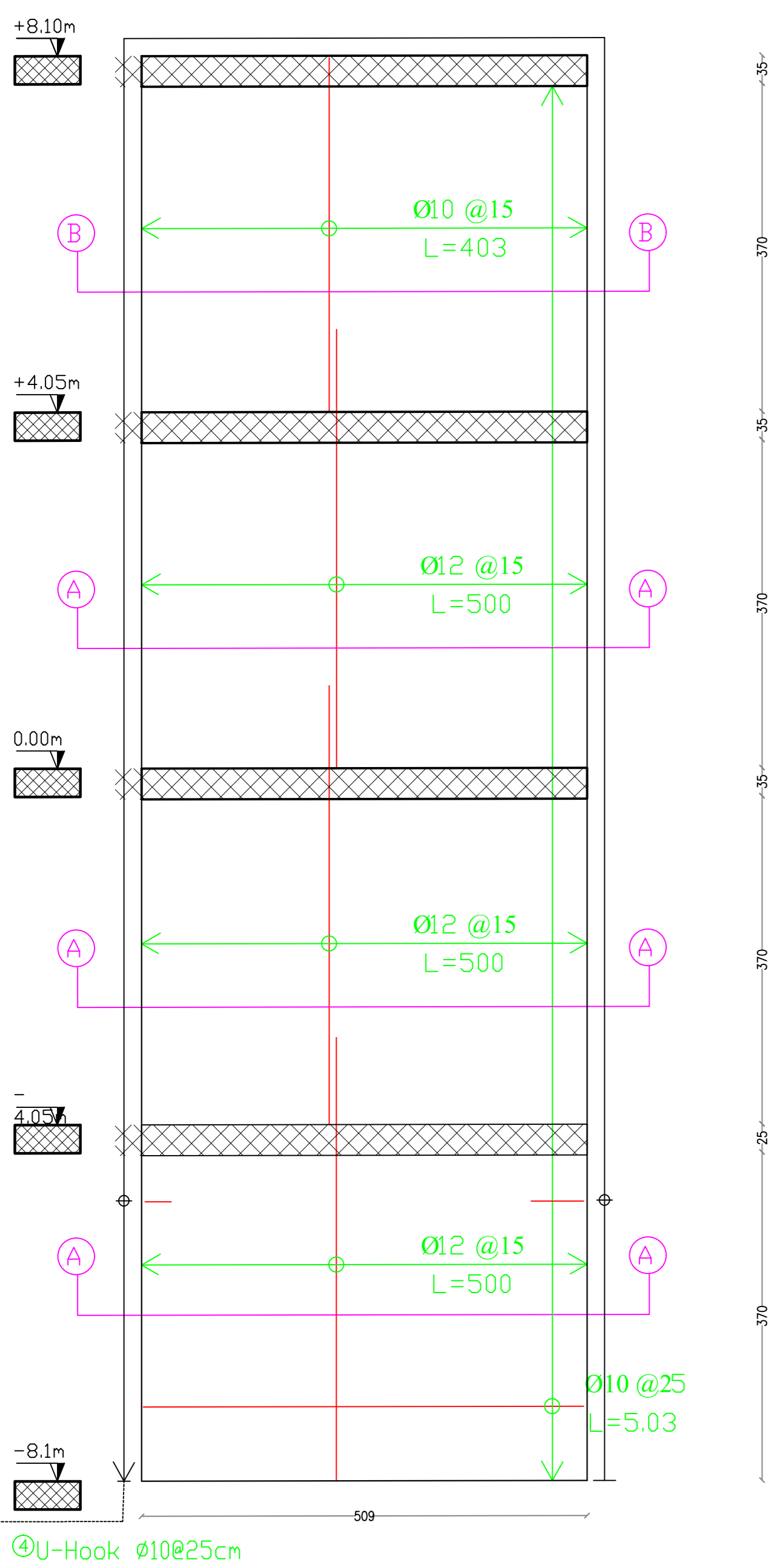
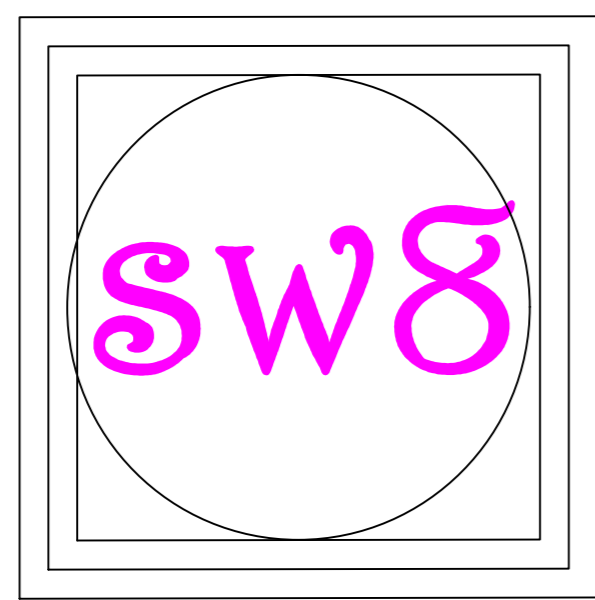
Drawing No.:

S 09

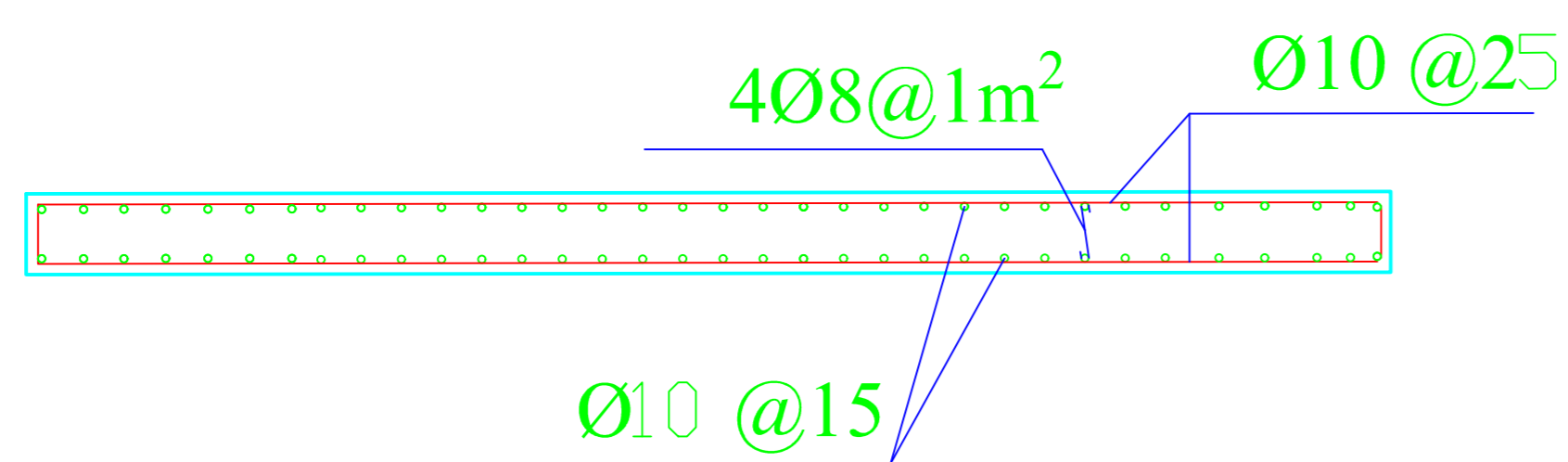
Date: 2/6/2021

View scale 1/50

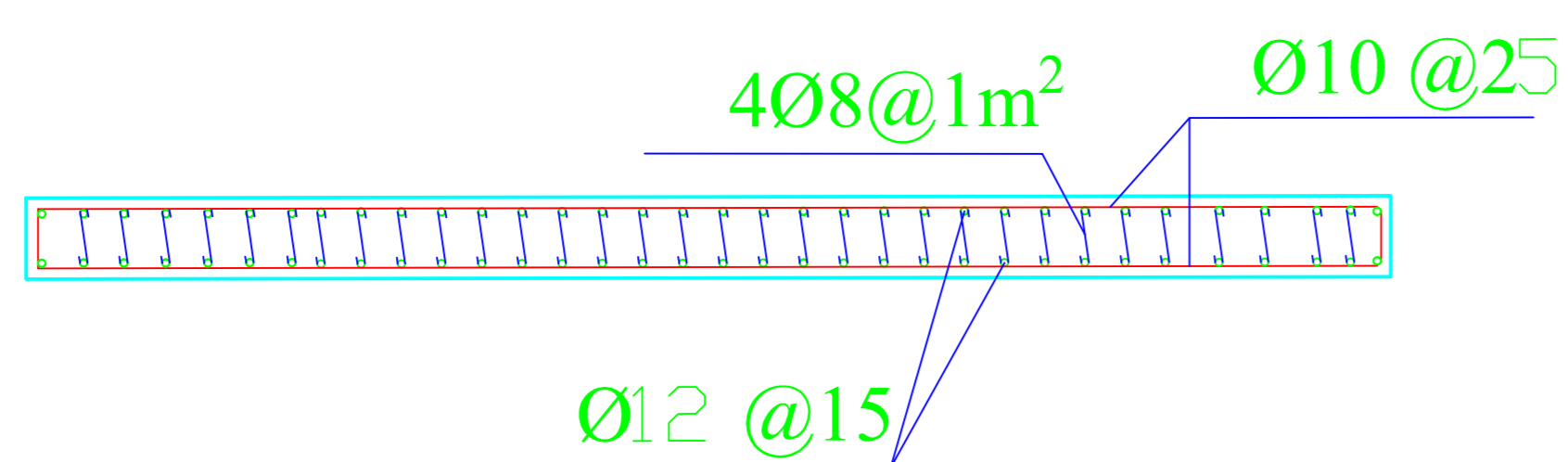
Cover 4 cm



Scale 1 : 50

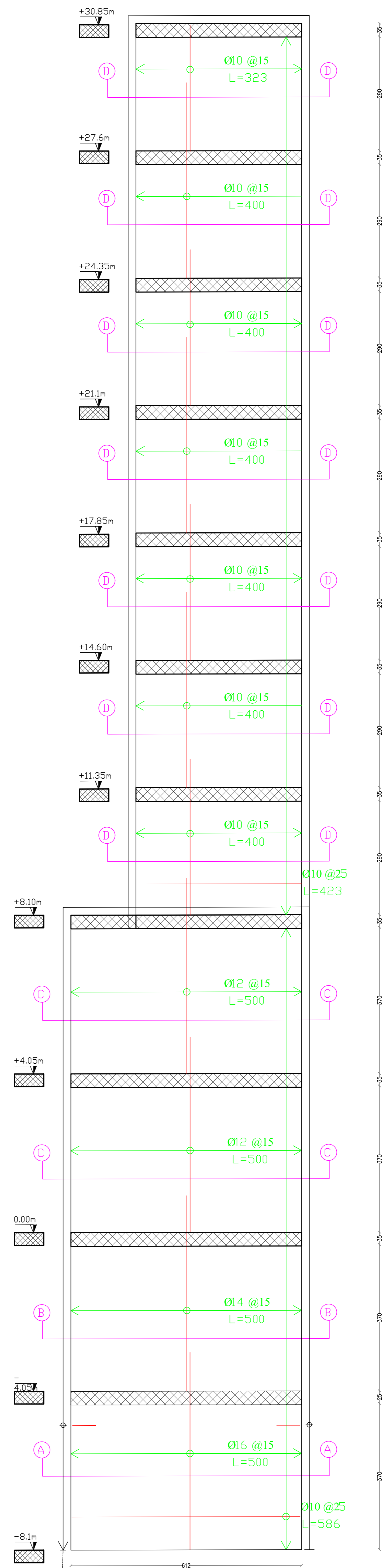


sec B-B

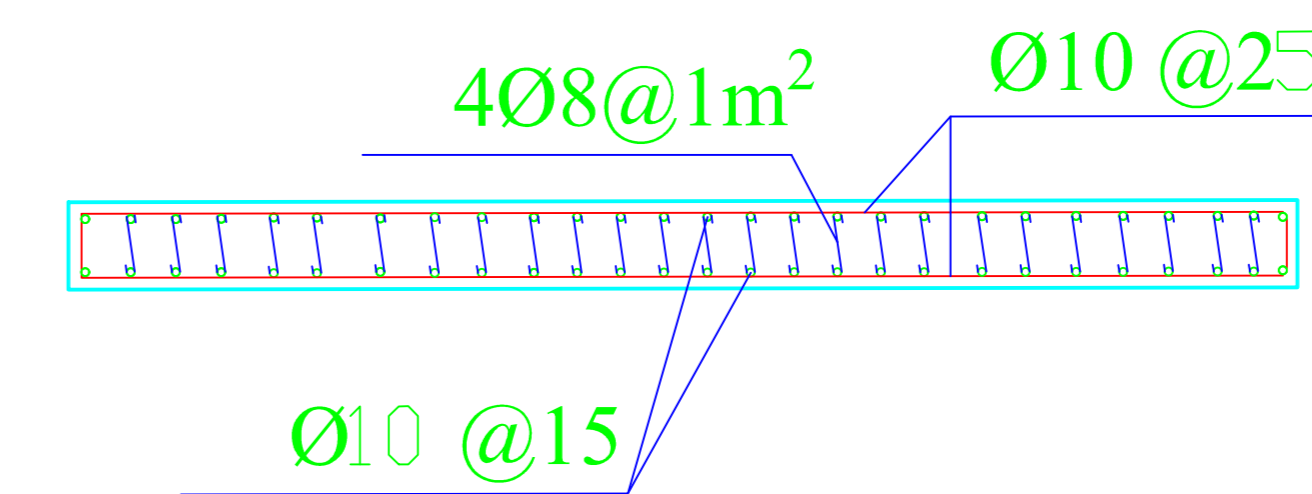
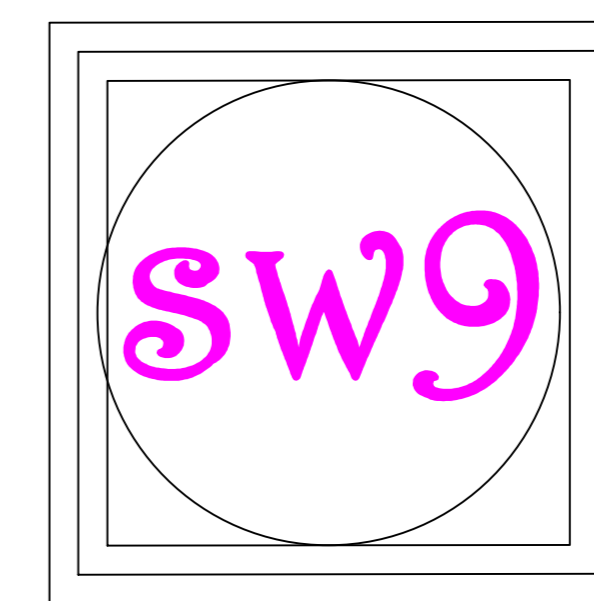


sec A-A

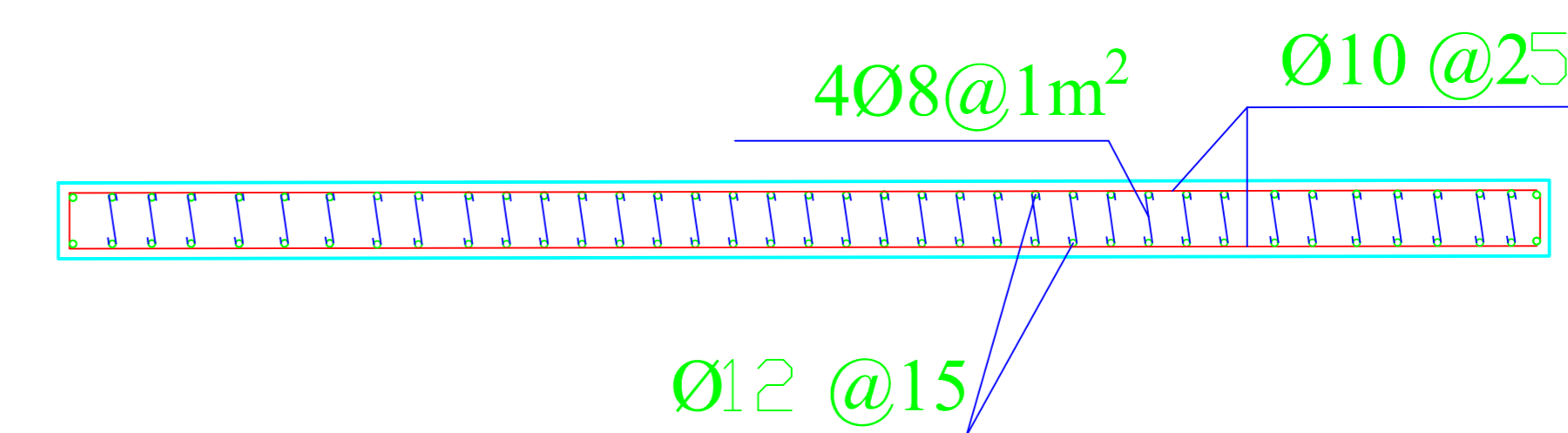
Scale 1 : 25



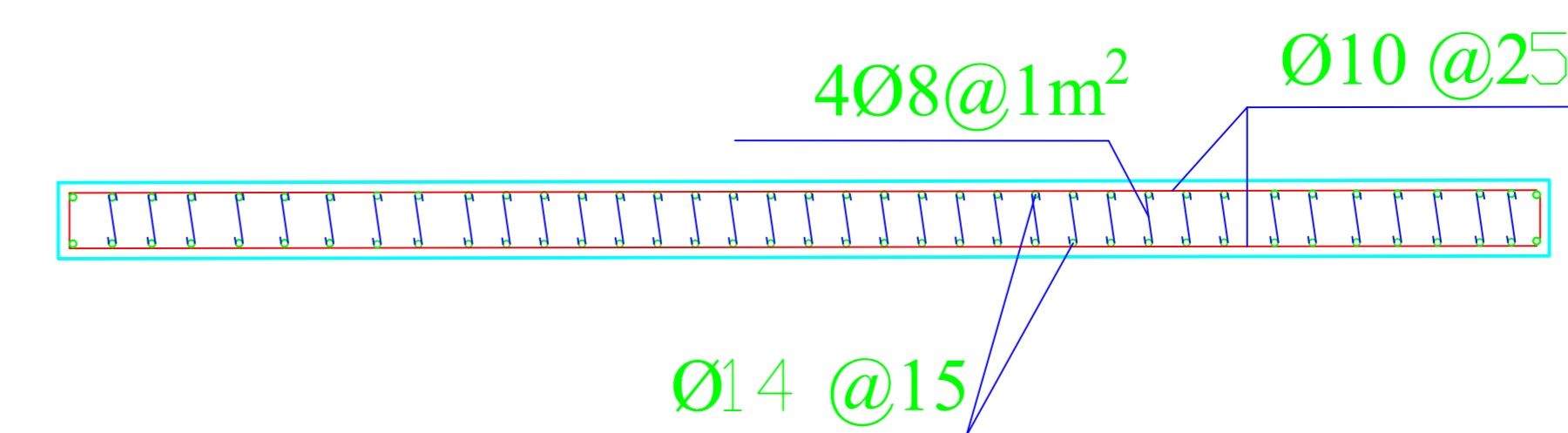
Scale 1 : 50



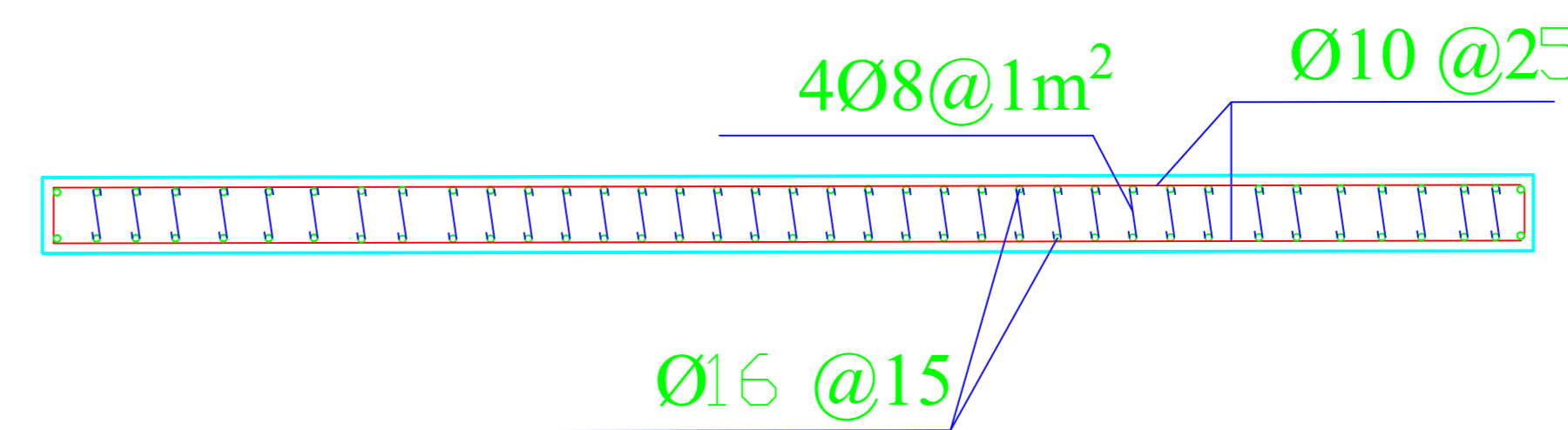
sec D-D



sec C-C

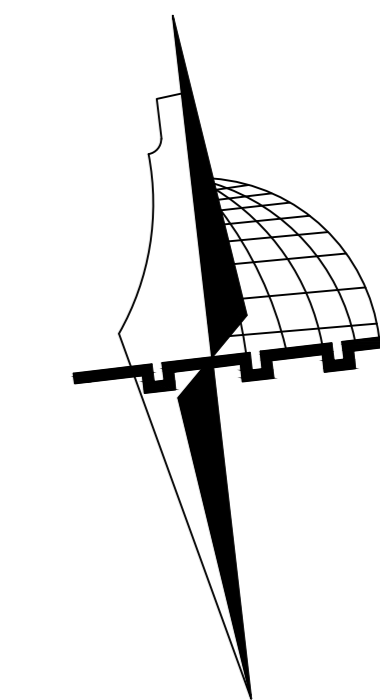
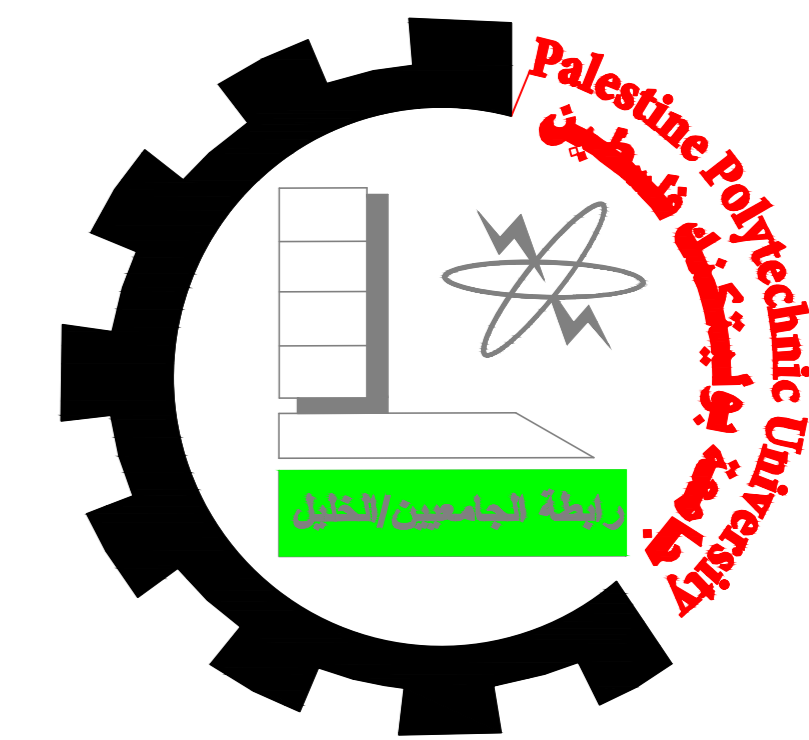


sec B-B



sec A-A

Scale 1 : 25



N

NOTES:

All Dimensions are in meters unless otherwise shown.
All spot levels are in meters.

Palestine Polytechnic University
Civil. & Arch. Eng. Department
Building Engineering

Project :
Residential Commercial Building

Designed By:
Feras Abo-Aljaysh
Noor Beiwat
Anas Jobran

Supervisor :
Eng.Mai Haddad

Drawing Title :
Shear wall Details

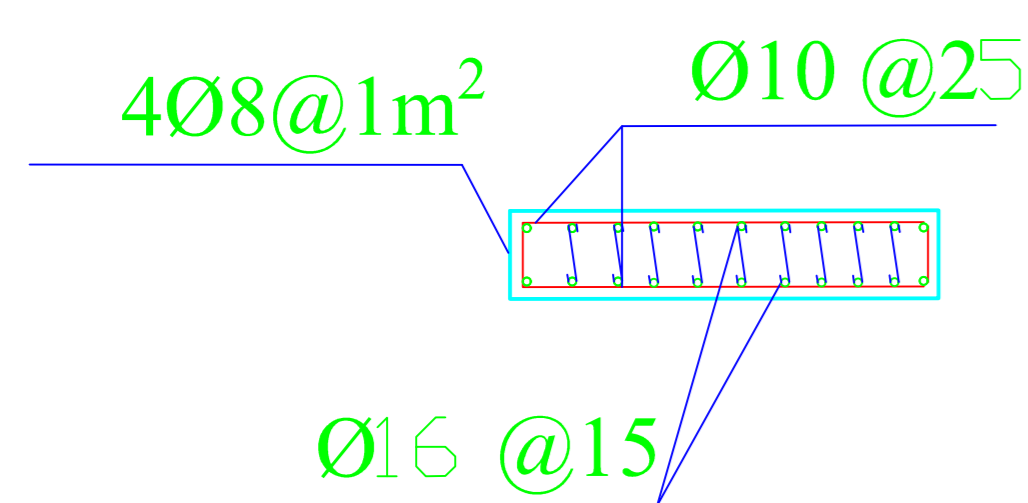
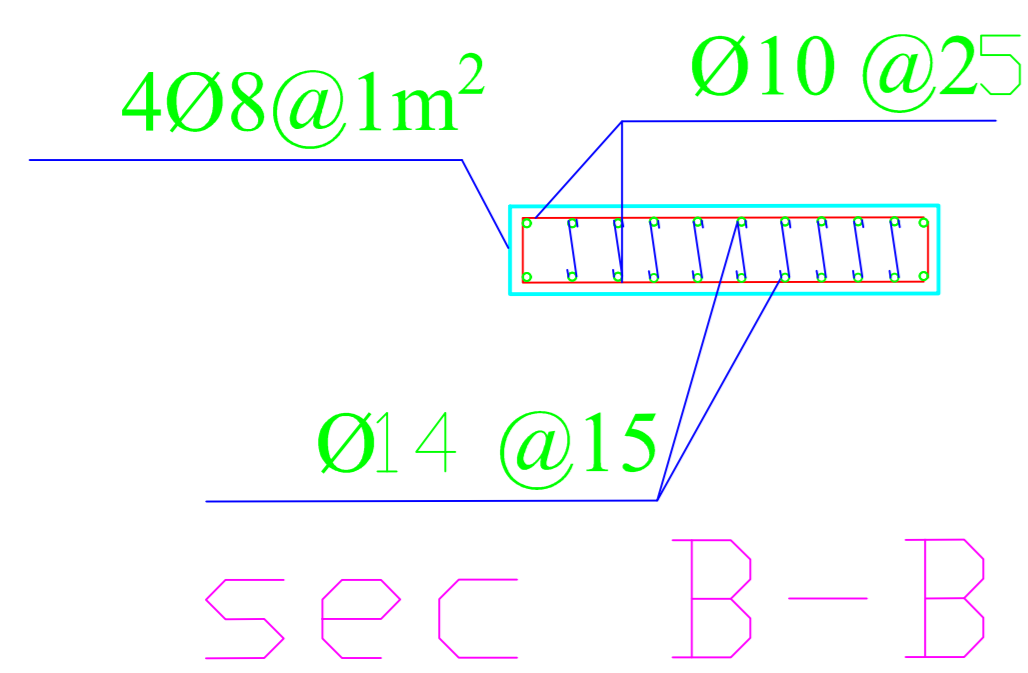
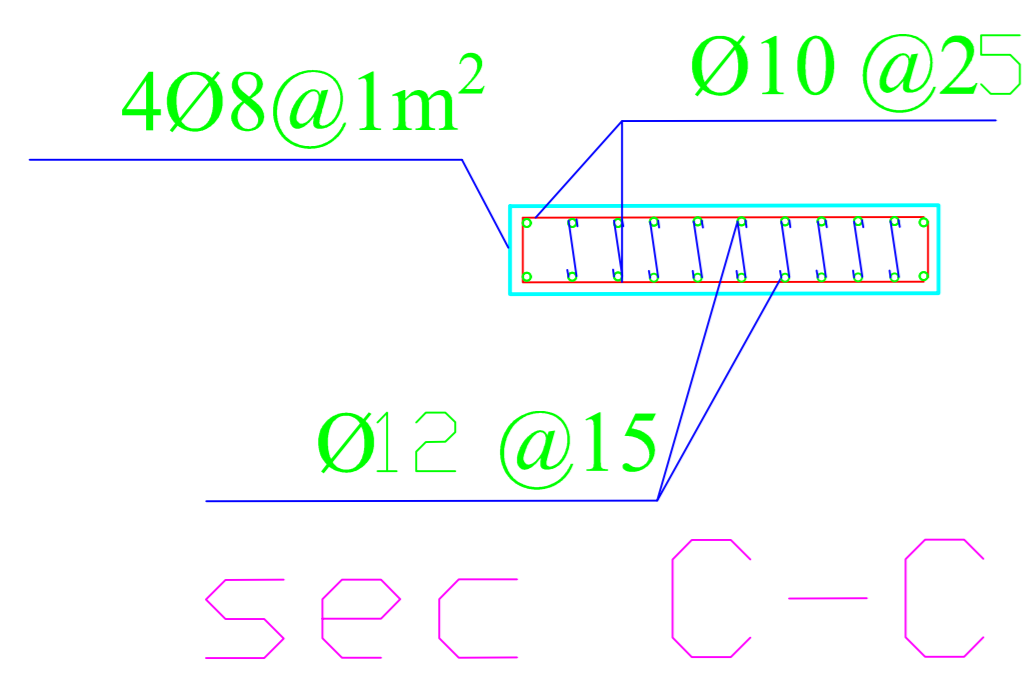
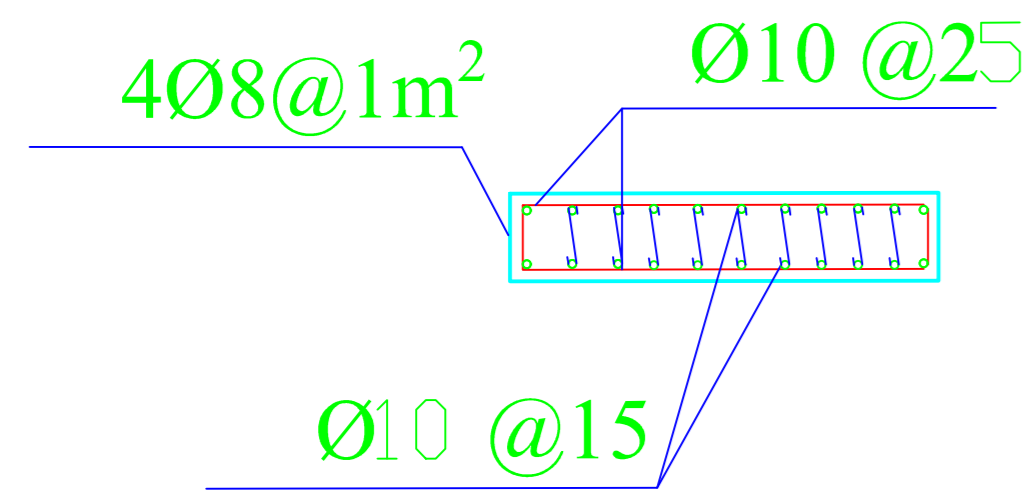
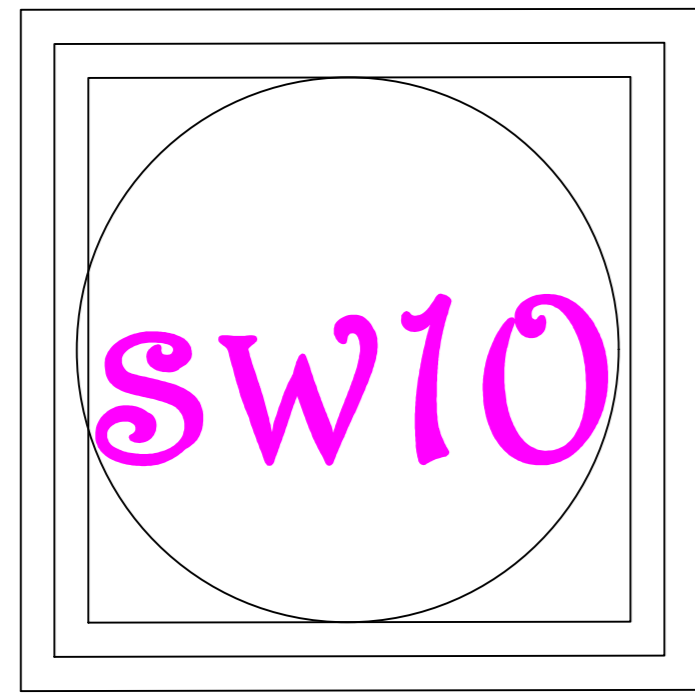
Drawing No :

S 10

Date : 2/6/2021

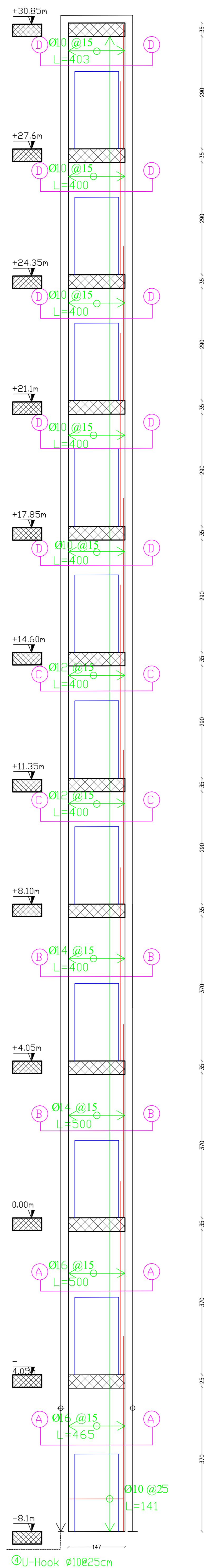
View scale 1/50

Cover 4 cm

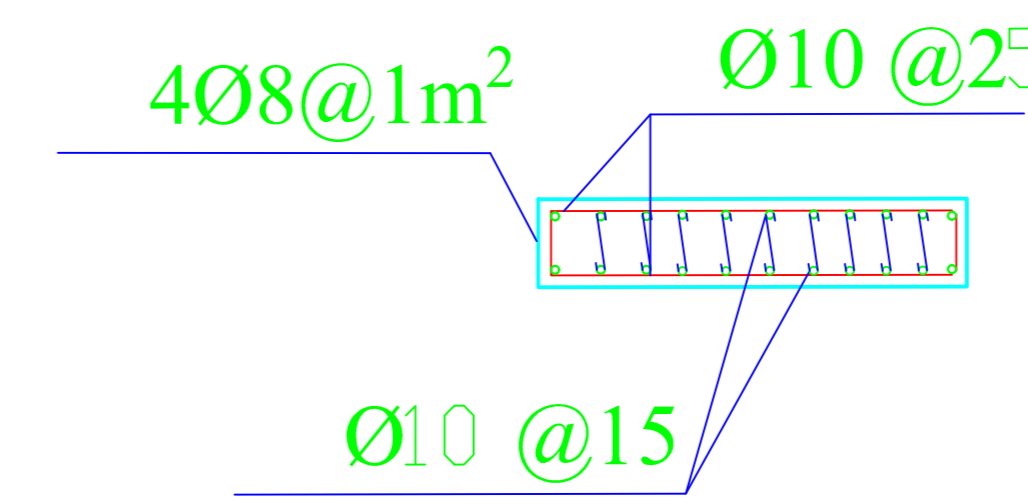
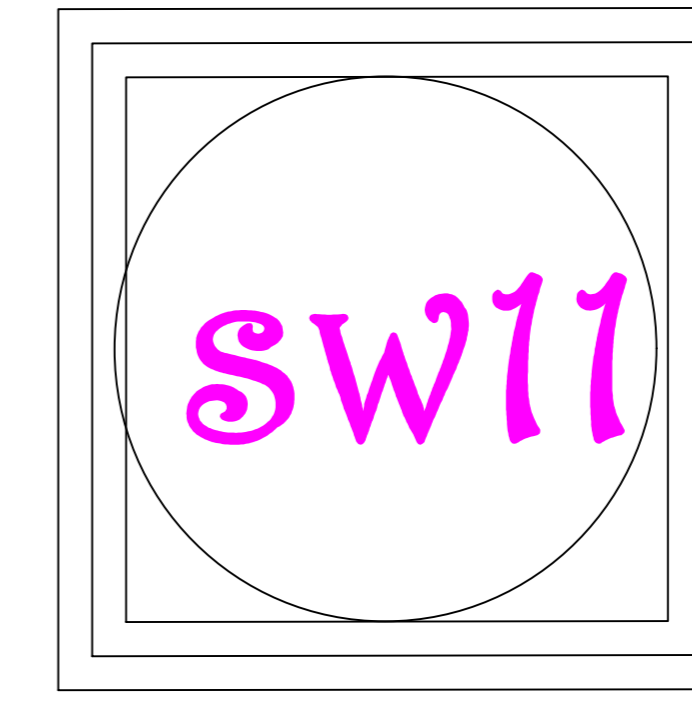


sec A-A

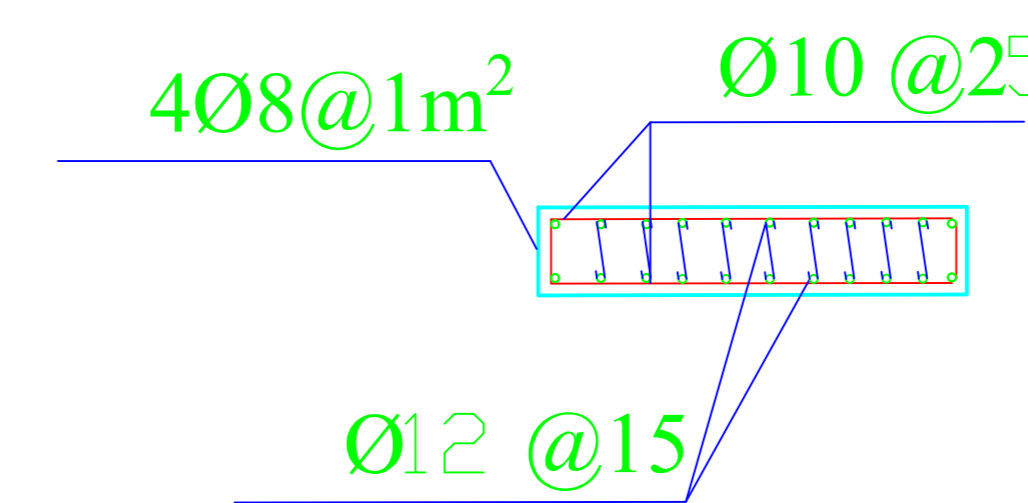
Scale 1 : 25



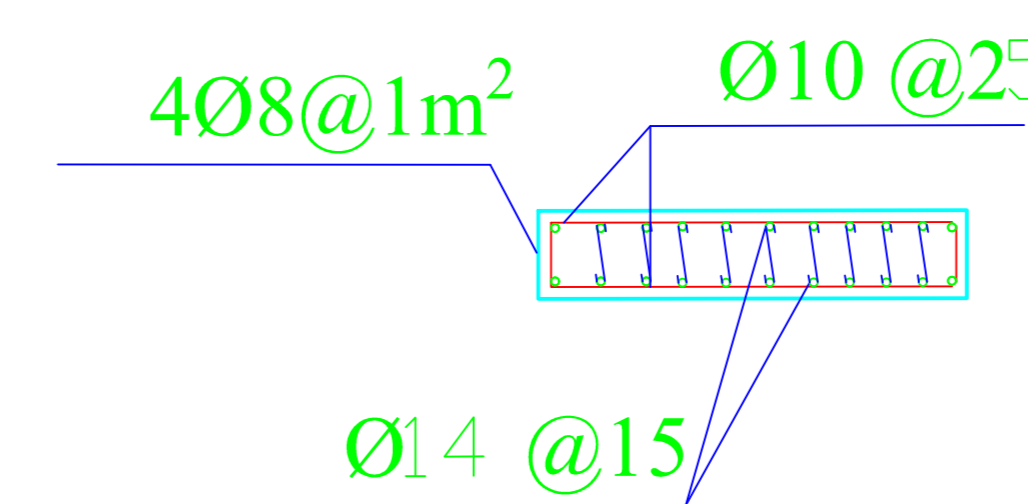
Scale 1 : 50



sec C-C

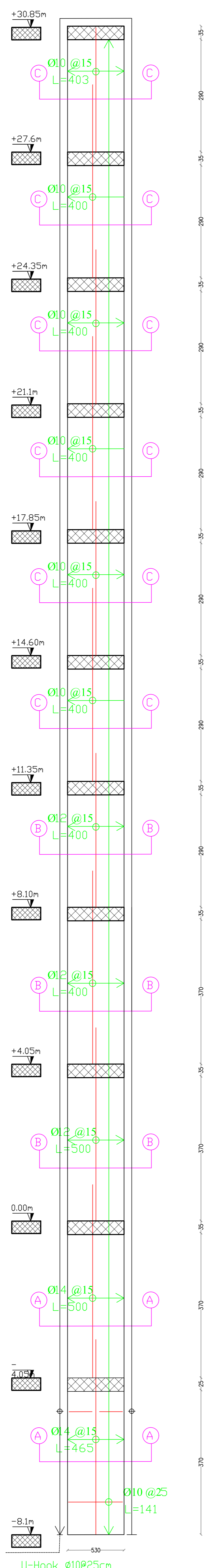


sec B-B

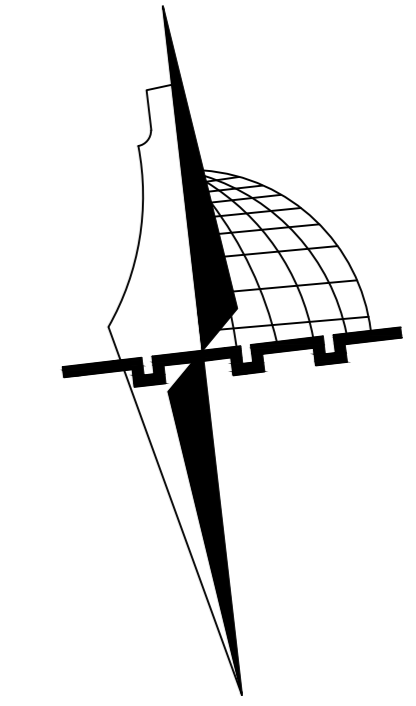
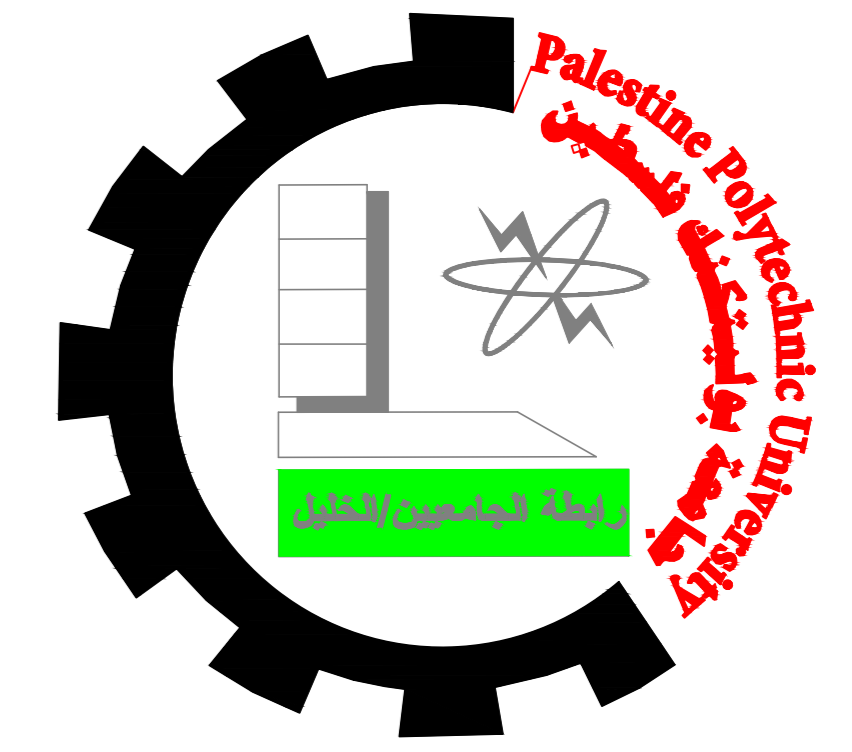


sec A-A

Scale 1 : 25



Scale 1 : 50



N

NOTES:

All Dimensions are in meters unless otherwise shown.

All spot levels are in meters.

Palestine Polytechnic University
Civil. & Arch. Eng. Department

Building Engineering

Project :

Residential Commercial Building

Designed By :

Feras Abo-Aljaysh
Noor Beiwat
Anas Jobran

Supervisor :

Eng.Mai Haddad

Drawing Title :

Shear wall Details

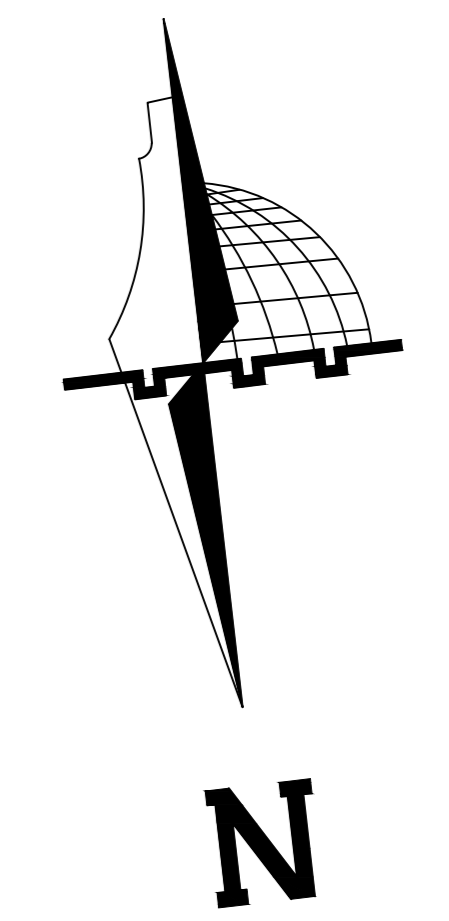
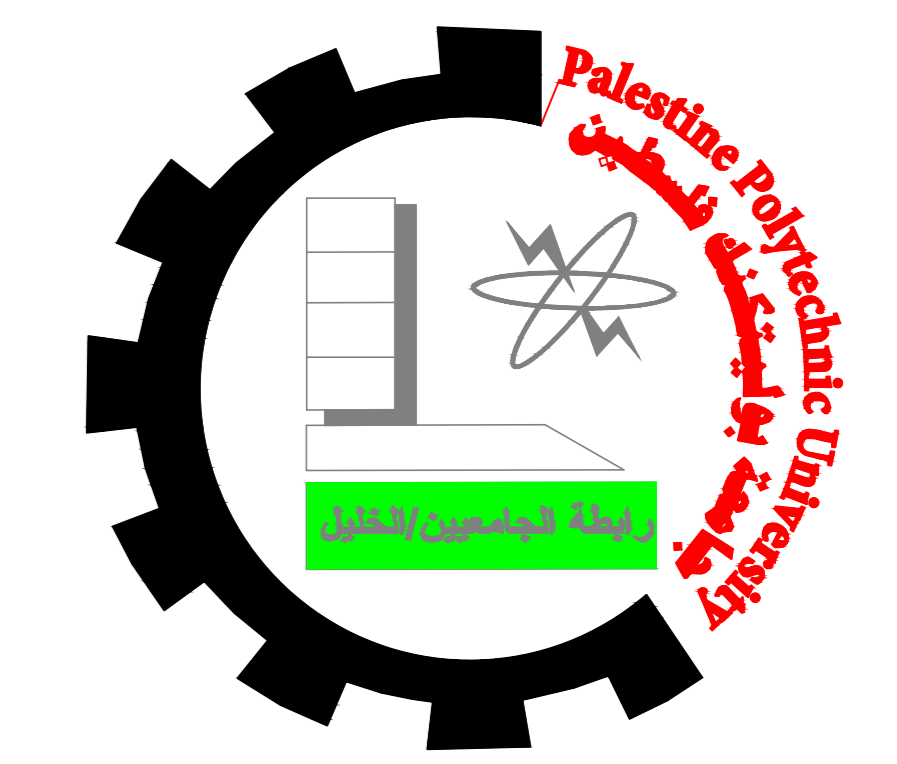
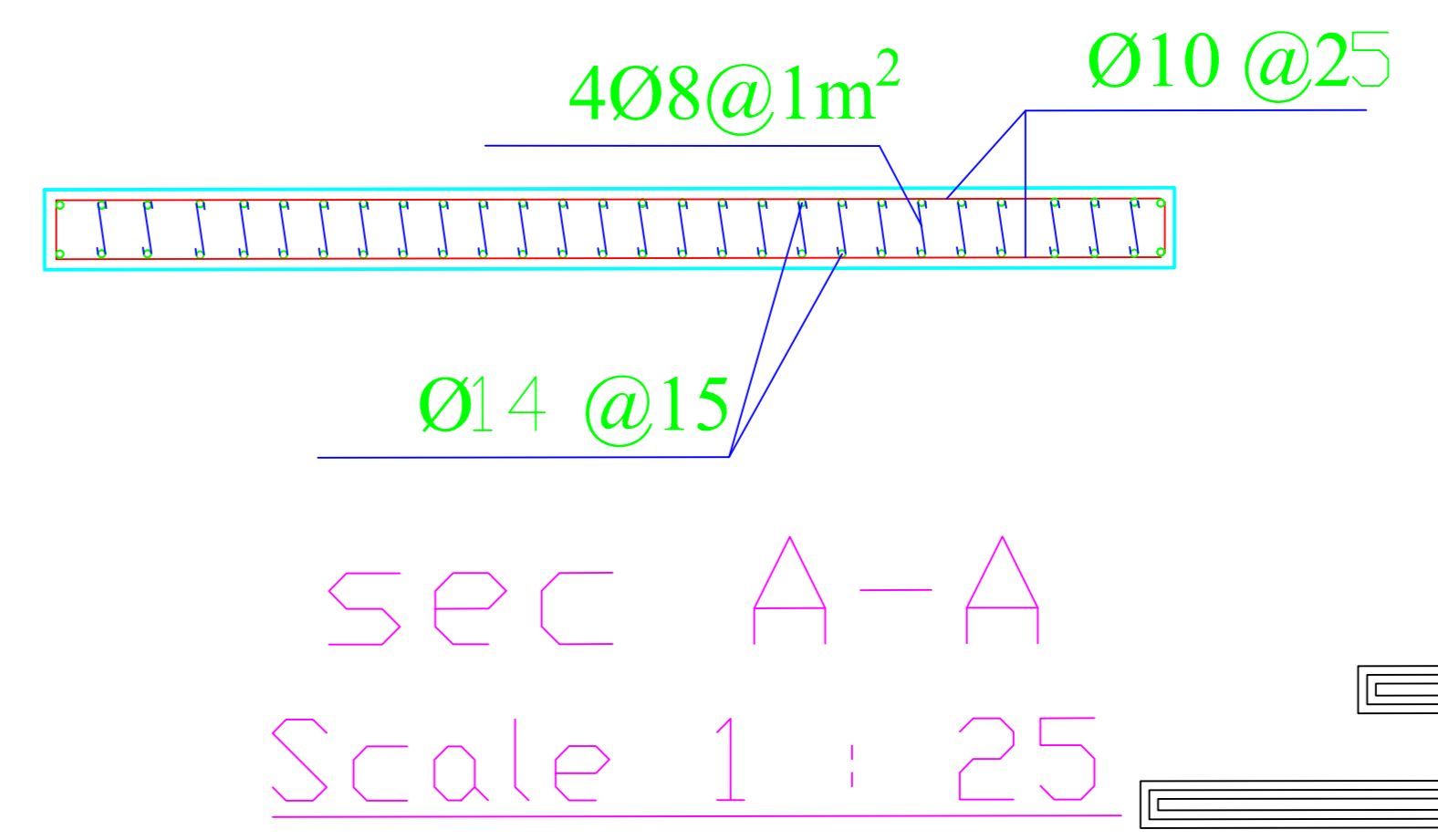
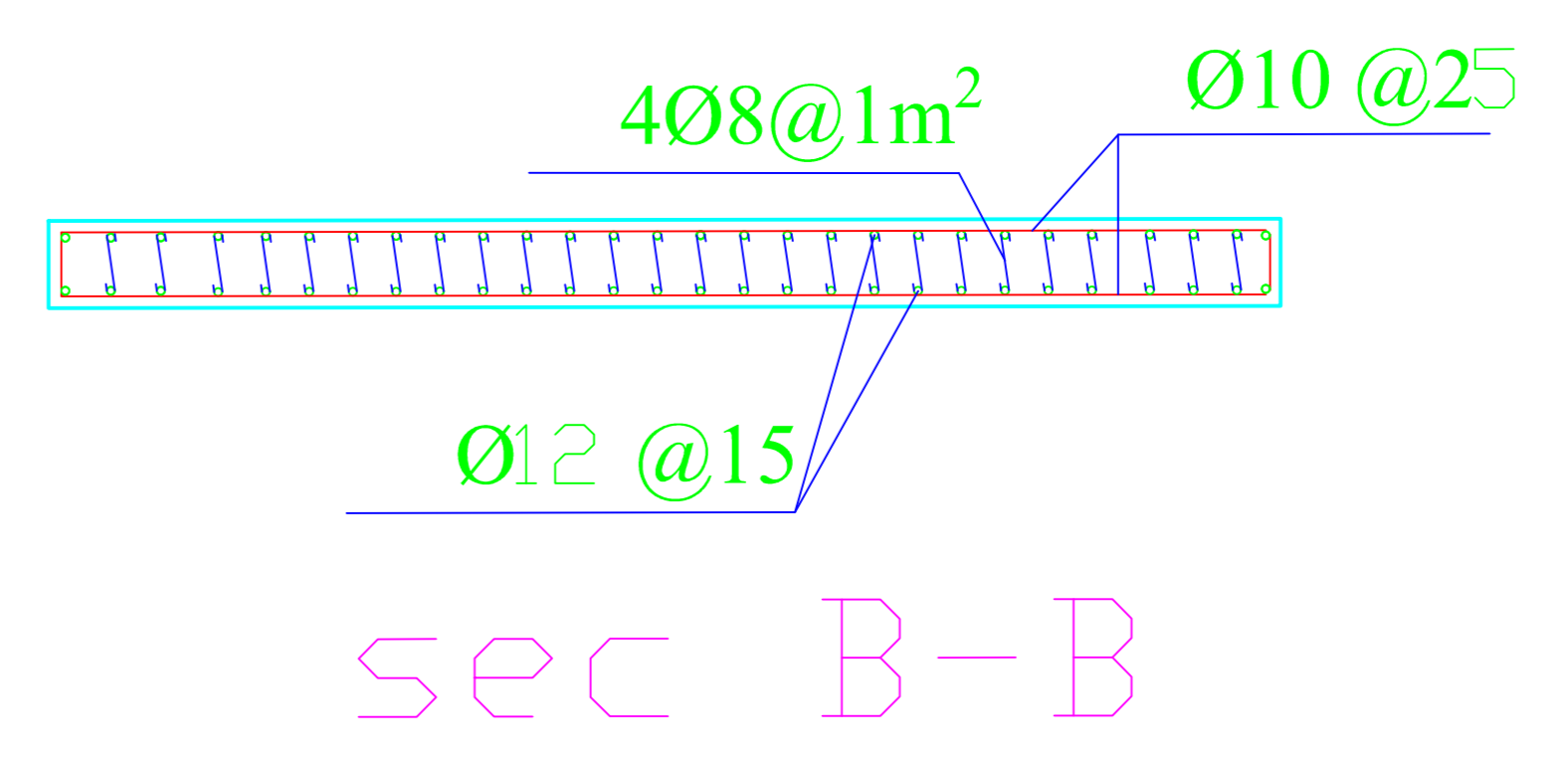
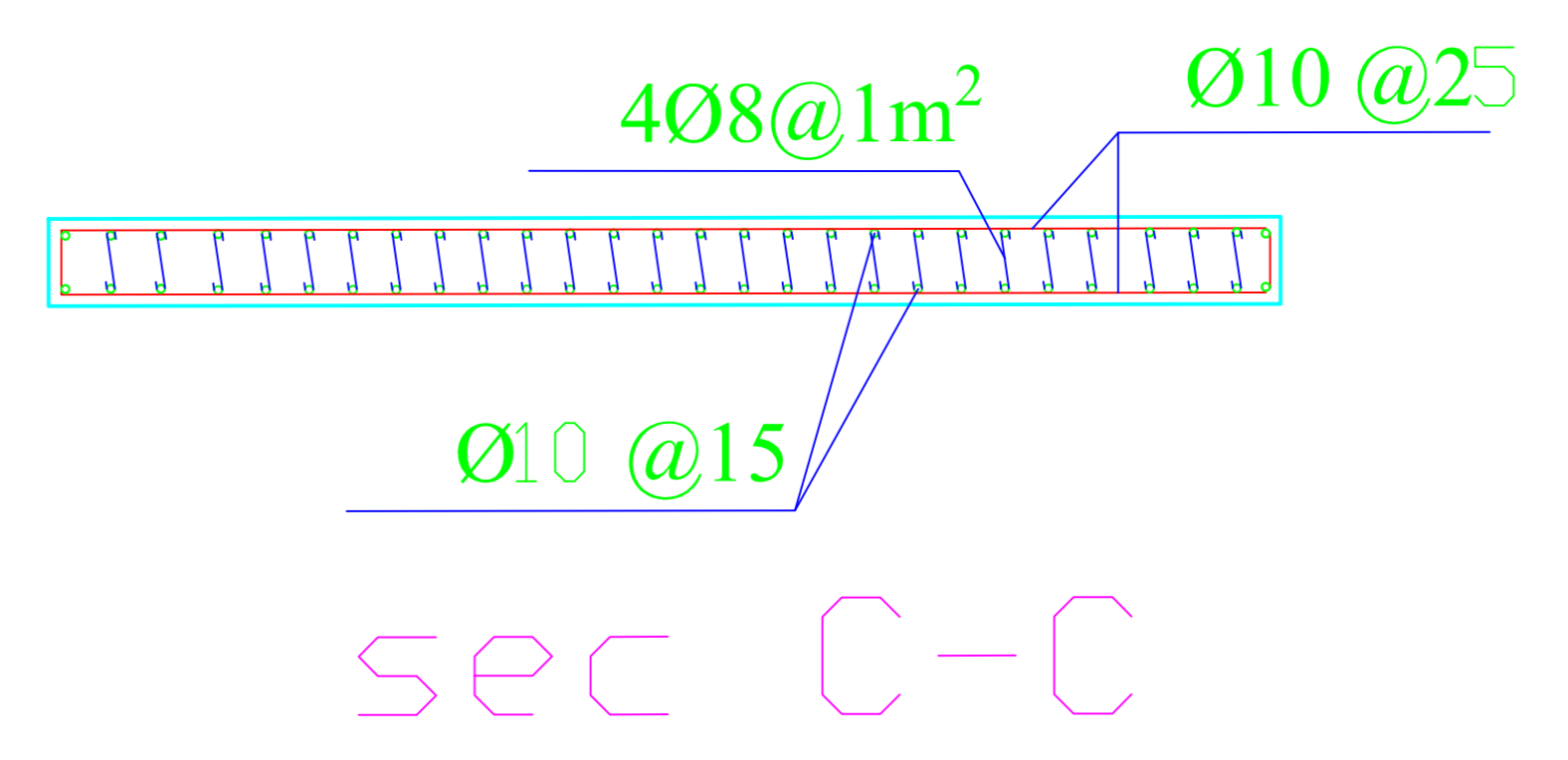
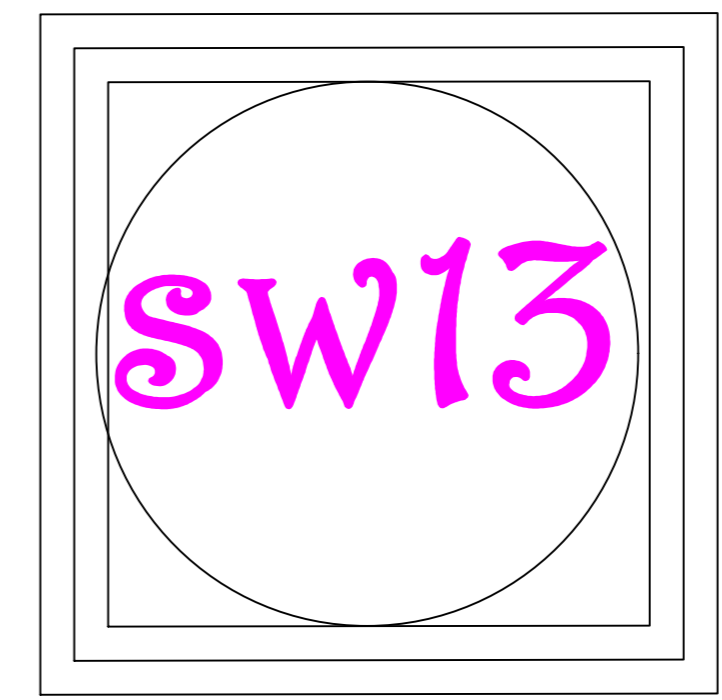
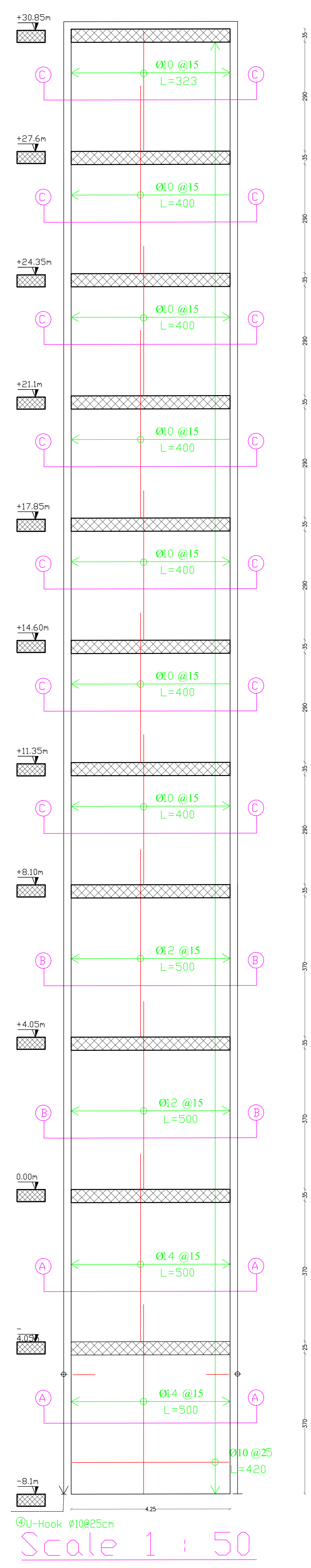
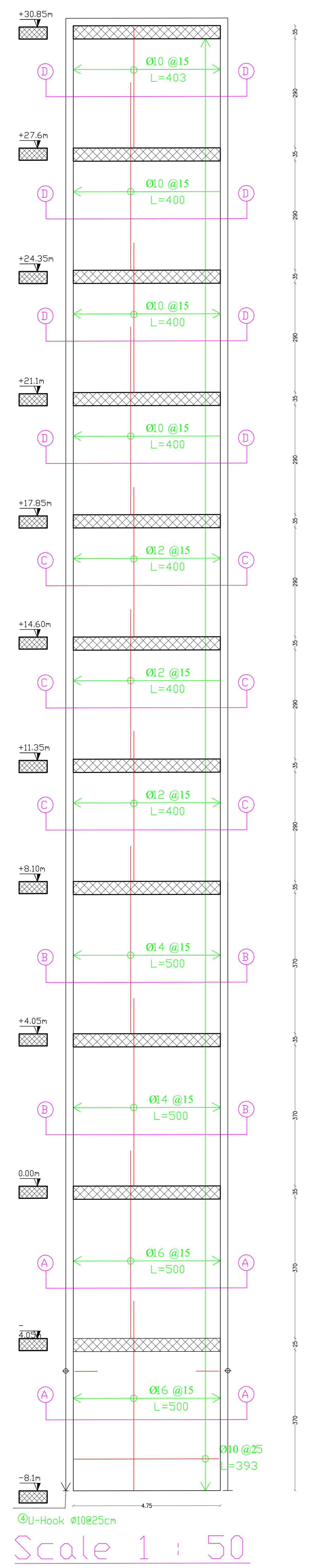
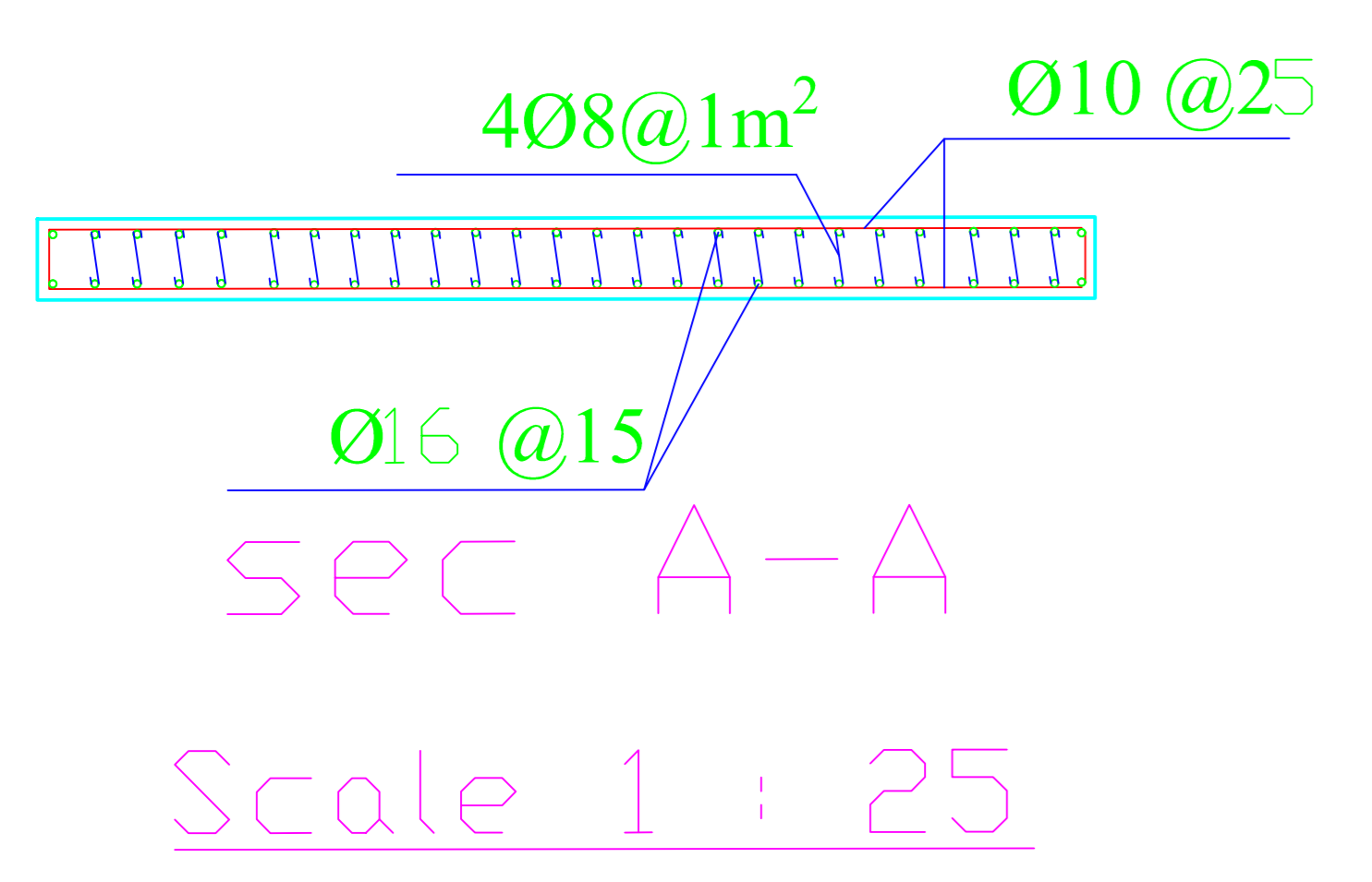
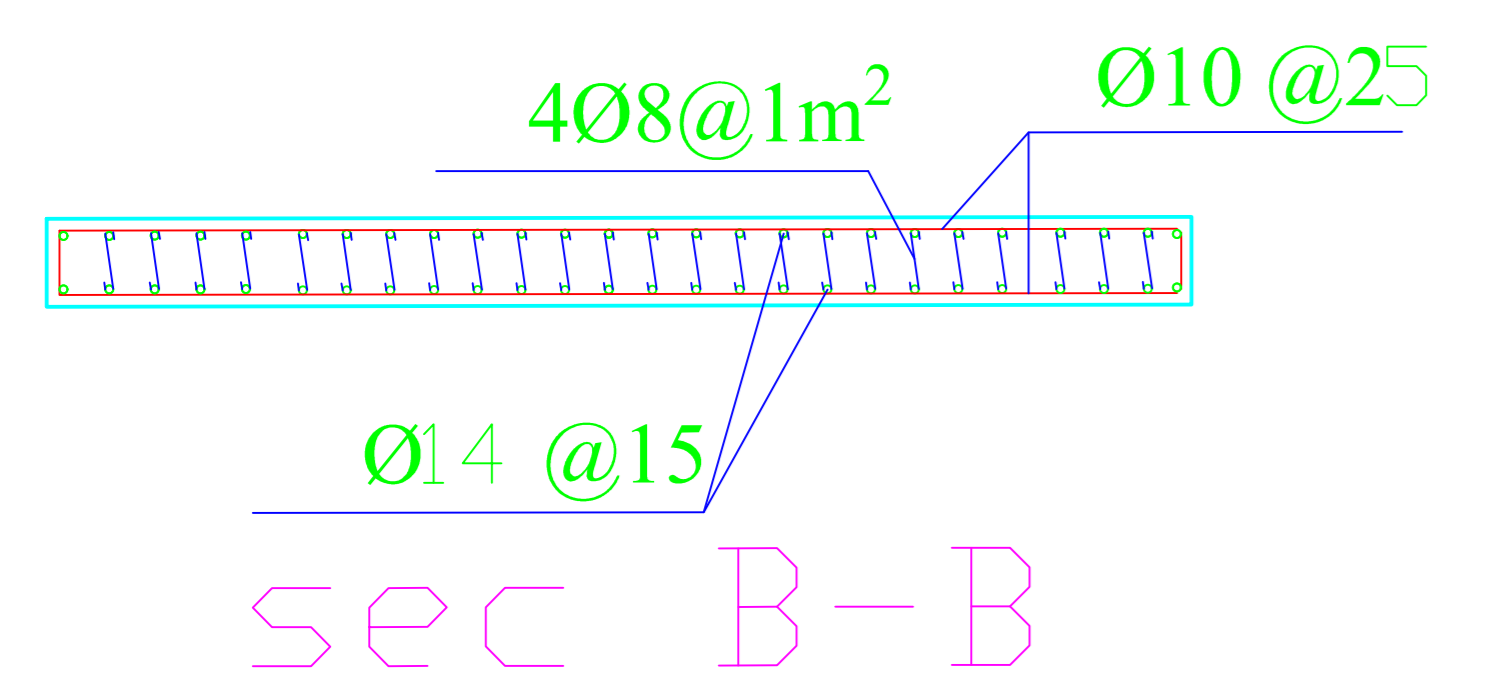
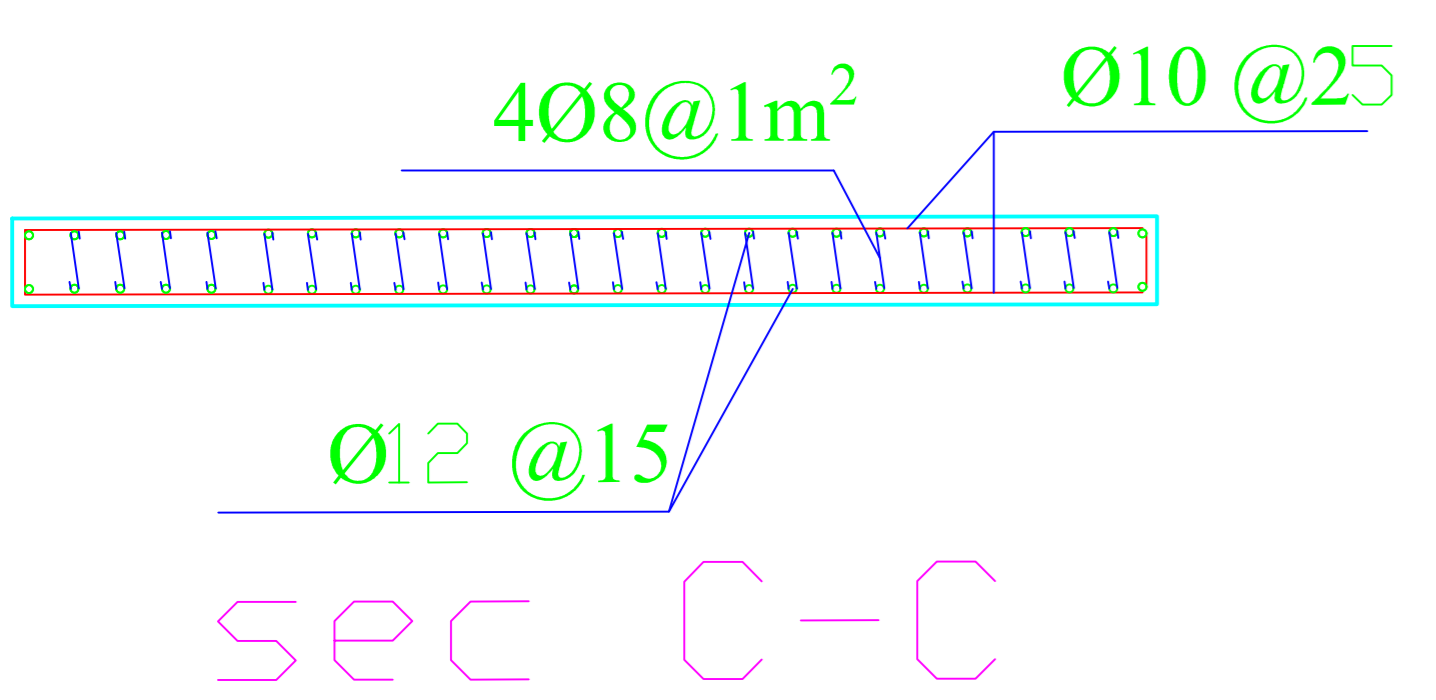
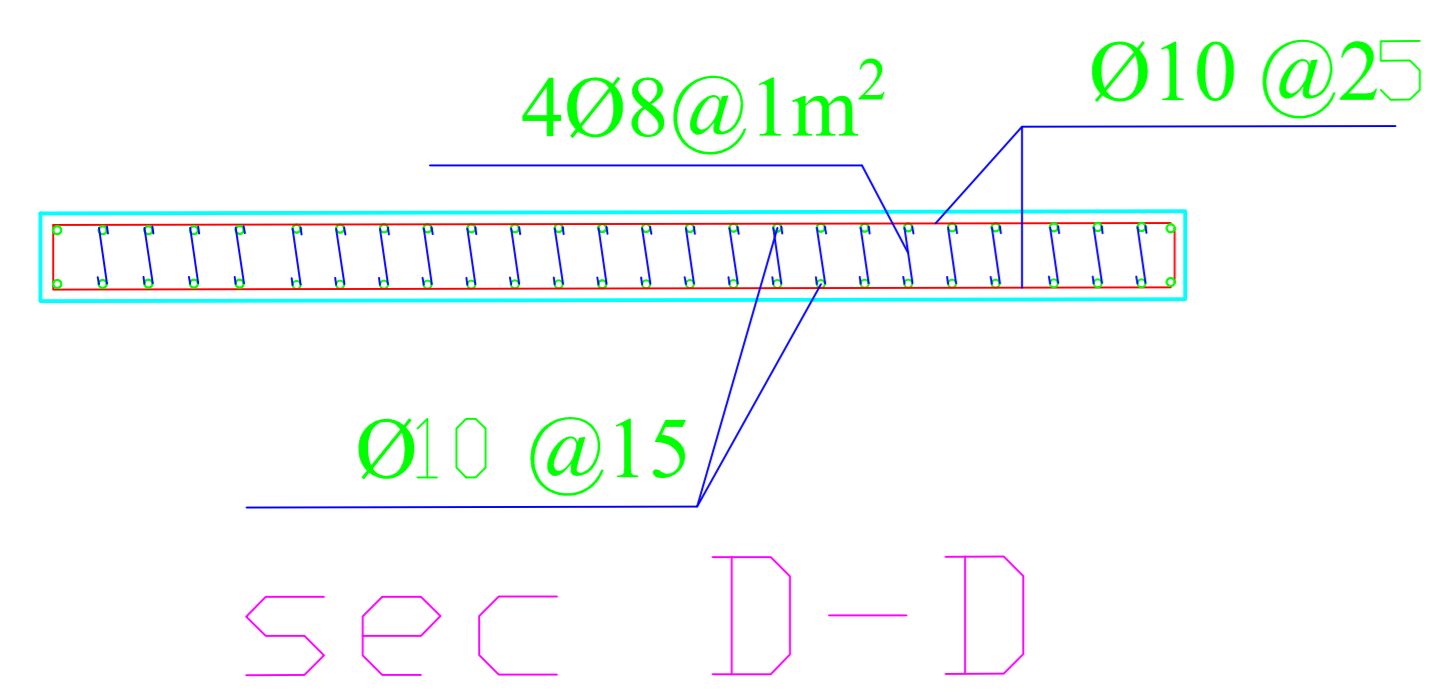
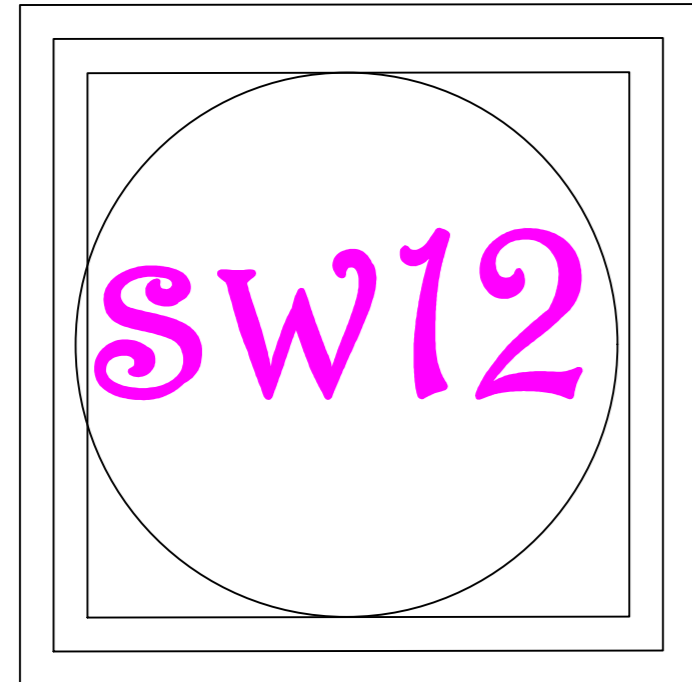
Drawing No :

S 11

Date : 2/6/2021

View scale 1/50

Cover 4 cm



NOTES:

All Dimensions are in meters unless otherwise shown.
All spot levels are in meters.

Palestine Polytechnic University
Civil. & Arch. Eng. Department
Building Engineering
Project :
Residential Commercial Building
Designed By :
Feras Abo-Aljraysh
Noor Beiwat
Anas Jobran
Supervisor :
Eng.Mai Haddad

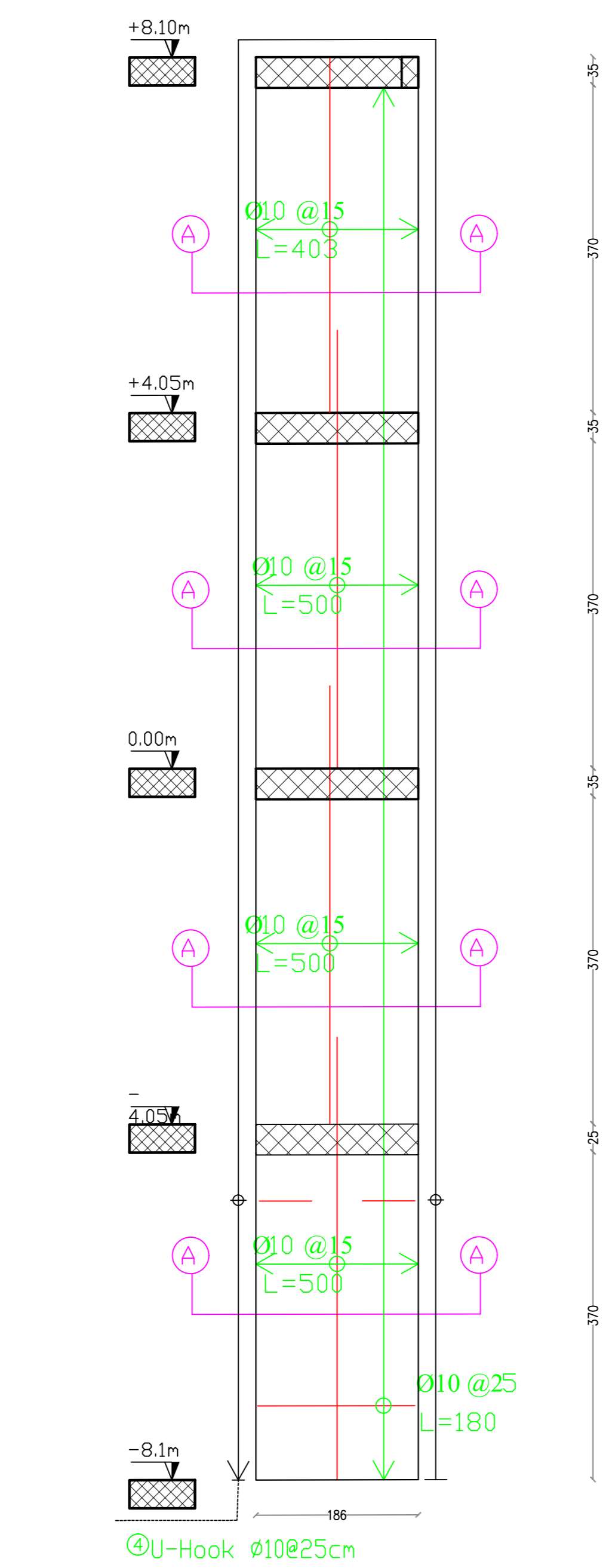
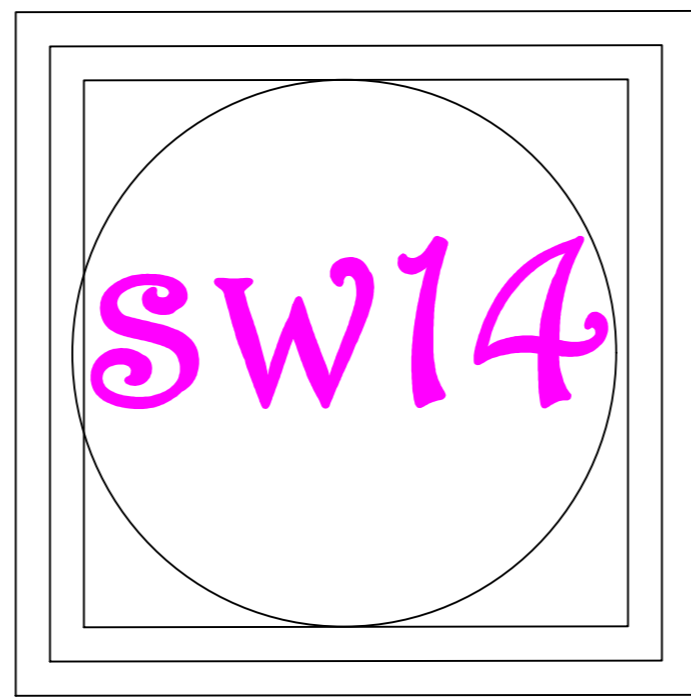
Drawing Title :
Shear wall Details

Drawing No :
S 12

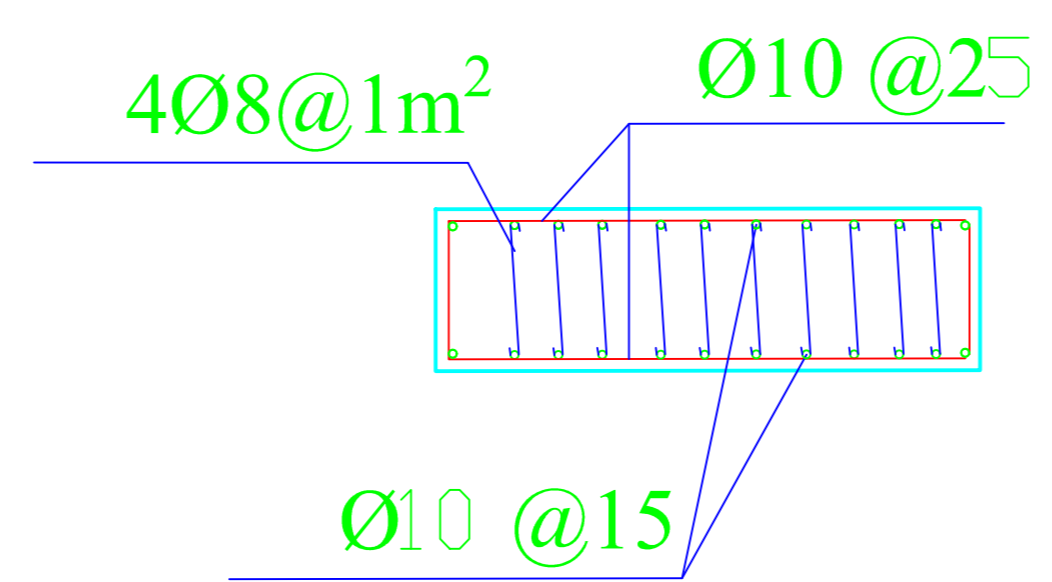
Date : 2/6/2021

View scale 1/50

Cover 4 cm

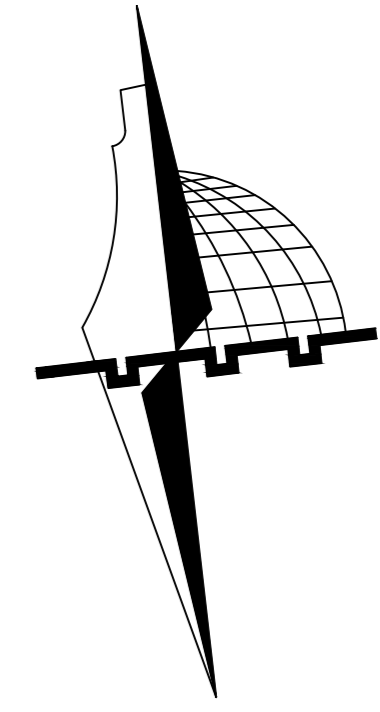
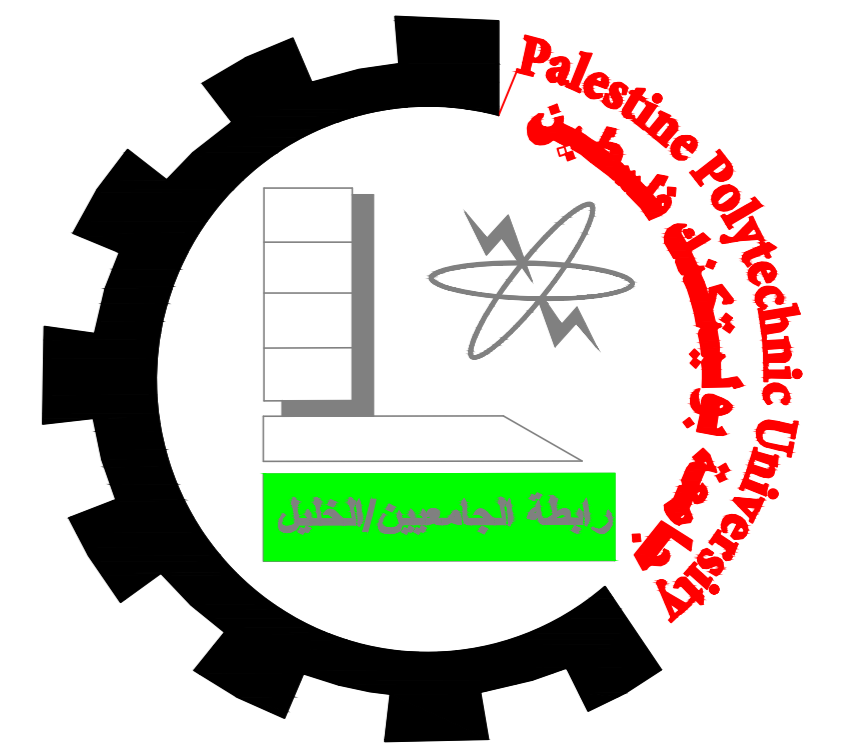


Scale 1 : 50



sec A-A

Scale 1 : 25



NOTES:

All Dimensions are in meters unless otherwise shown.

All spot levels are in meters.

Palestine Polytechnic University
Civil. & Arch. Eng. Department

Building Engineering

Project :

Residential Commercial Building

Designed By :

Feras Abo-Aljaysh
Noor Beiwat
Anas Jobran

Supervisor :

Eng.Mai Haddad

Drawing Title :

Shear wall Details

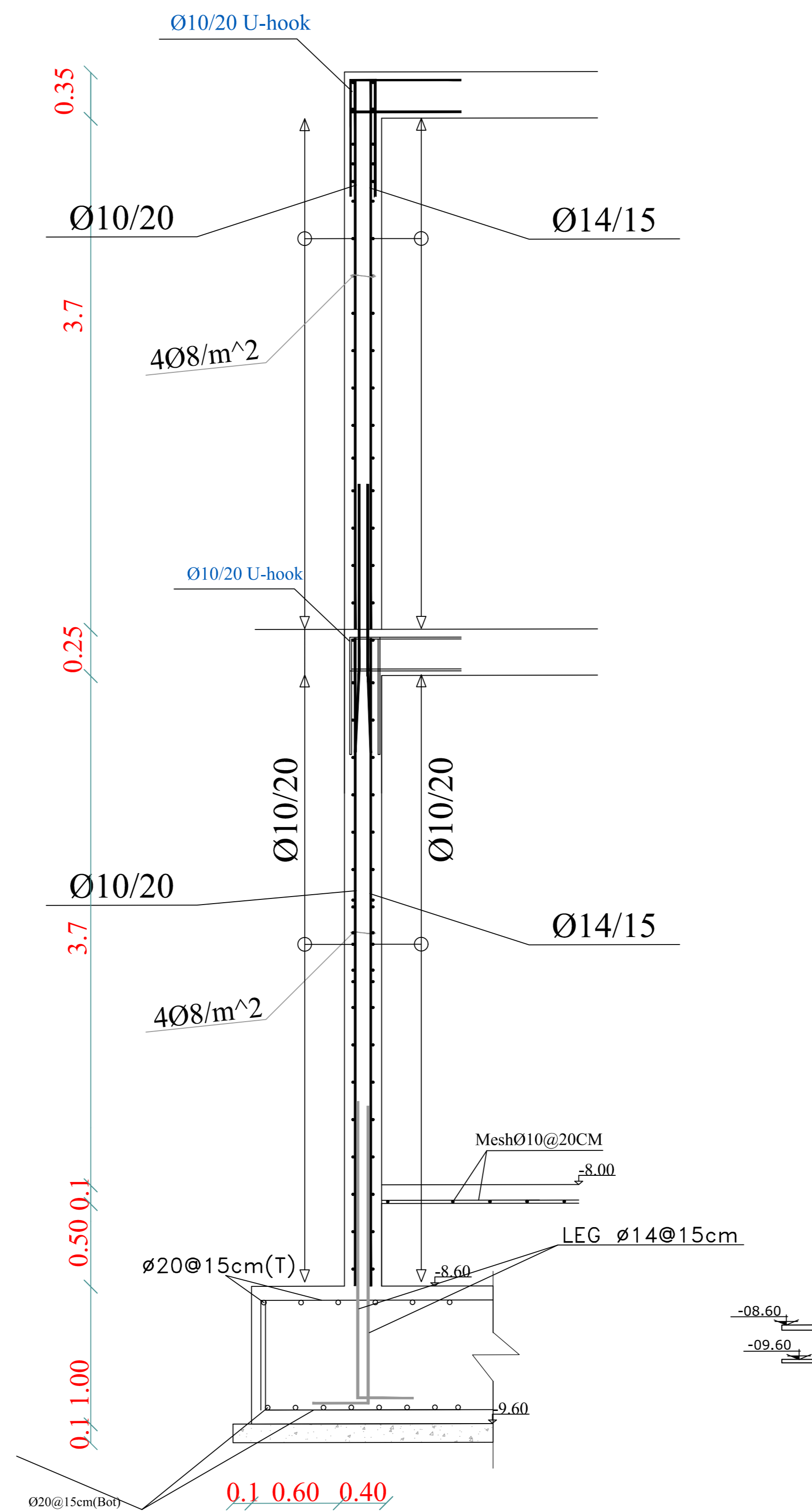
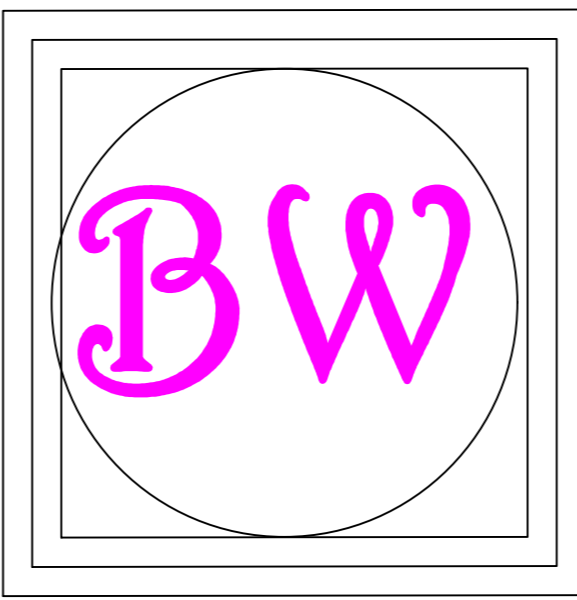
Drawing No :

S 13

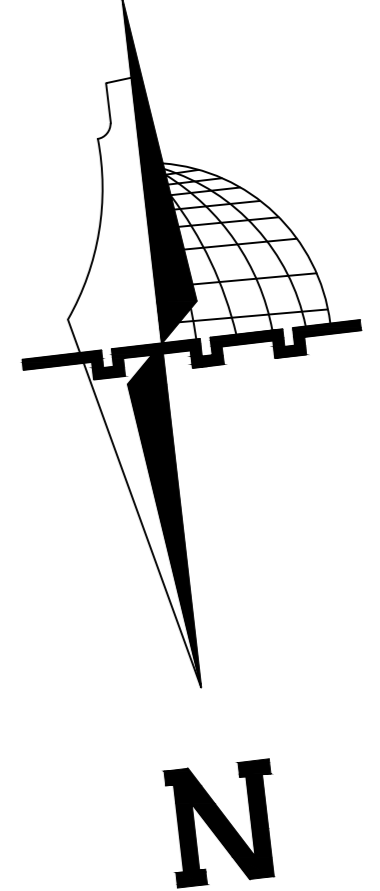
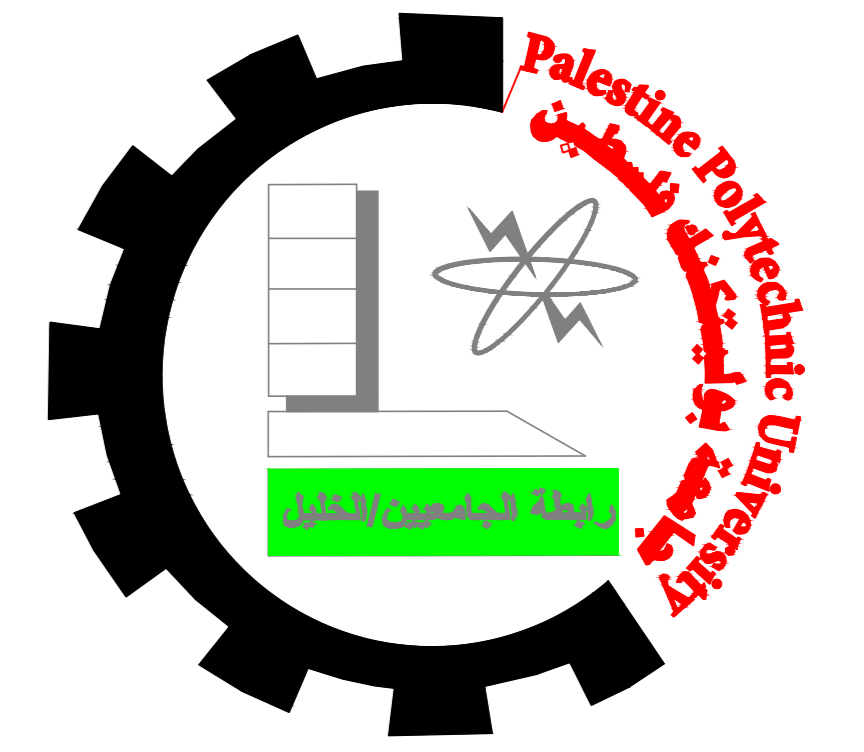
Date : 2/6/2021

View scale 1/50

Cover 4 cm



Section A-A
Scale 1:25



NOTES:

All Dimensions are in meters
unless otherwise shown.
All spot levels are in meters.

Palestine Polytechnic University
Civil. & Arch. Eng. Department
Building Engineering

Project:

Residential Commercial Building

Designed By:

Feras Abo-Aljraysh
Noor Beiwat
Anas Jobran

Supervisor:

Eng. Mai Haddad

Drawing Title:

Bassment wall Details

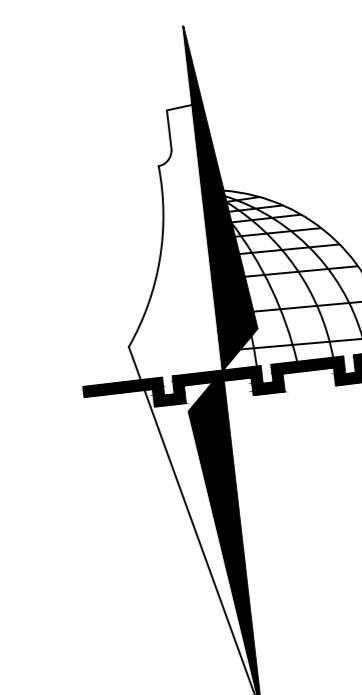
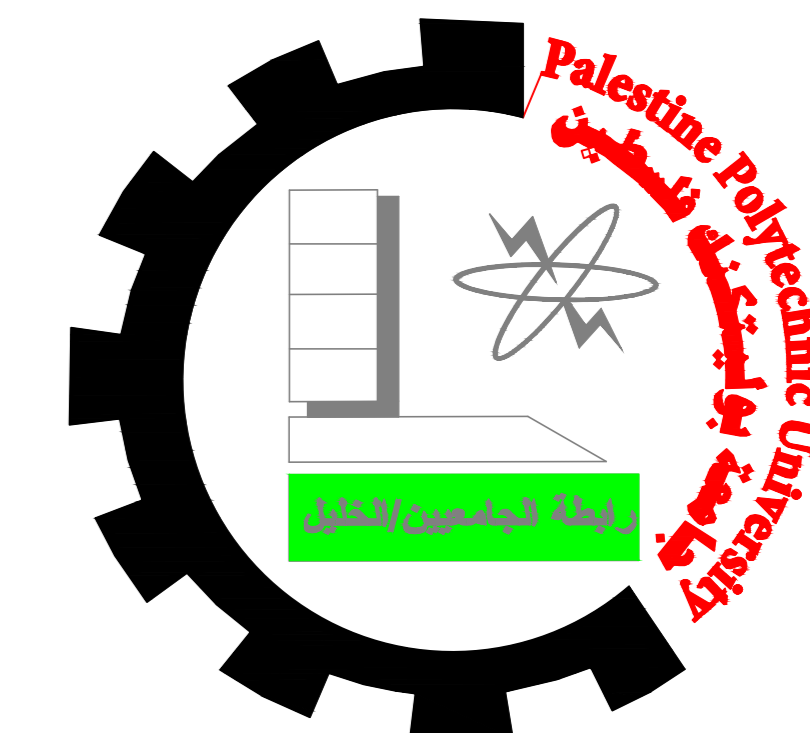
Drawing No.:

S 14

Date: 2/6/2021

View scale 1/25

Cover 5 cm



N

NOTES:

All Dimensions are in meters unless otherwise shown.
All spot levels are in meters.

Palestine Polytechnic University
Civil. & Arch. Eng. Department
Building Engineering

Project:
Residential Commercial Building

Designed By:
Feras Abo-Aljraysh
Noor Beiwat
Anas Jobran

Supervisor:
Eng.Mai Haddad

Drawing Title:
solid slab
Second Basment Floor plan

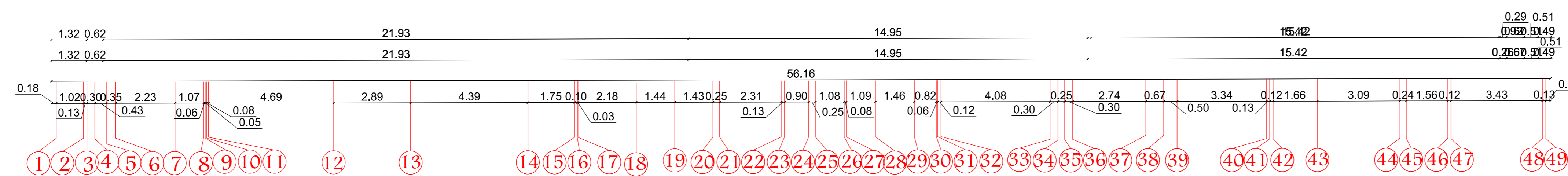
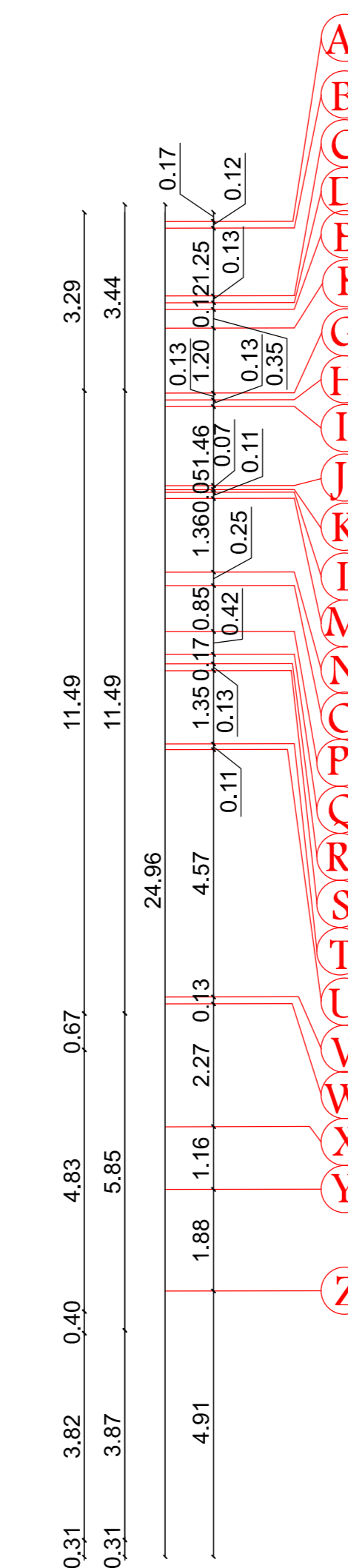
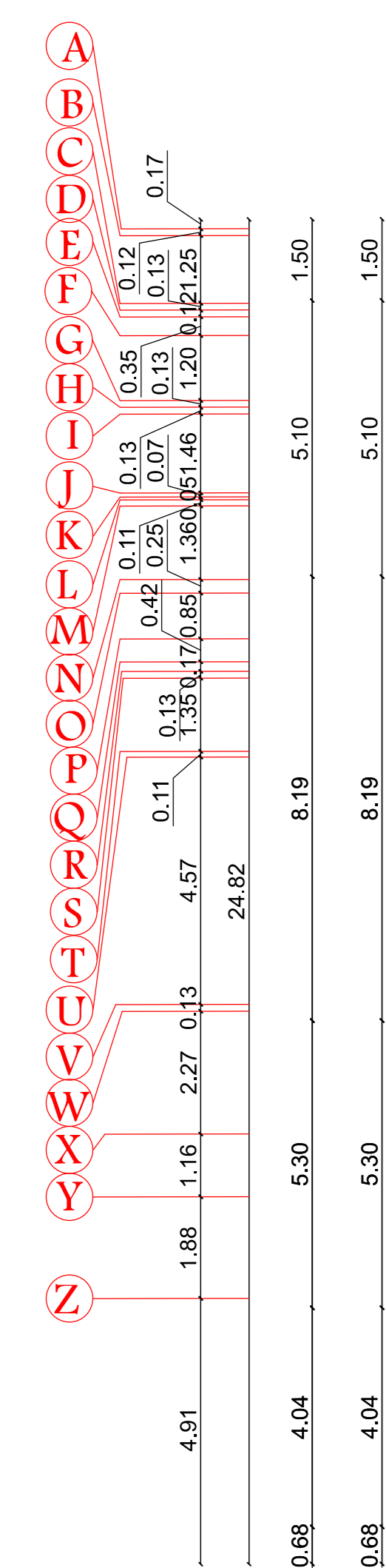
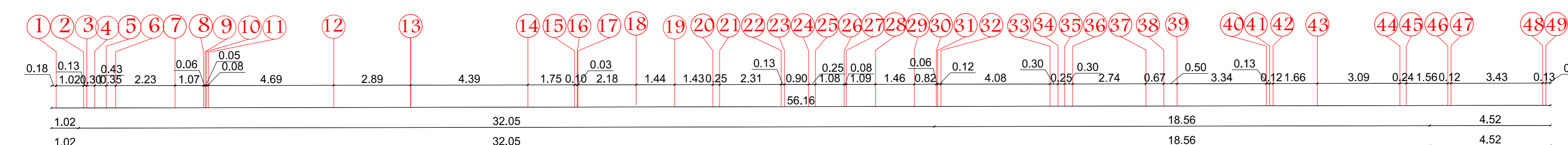
Drawing No.:

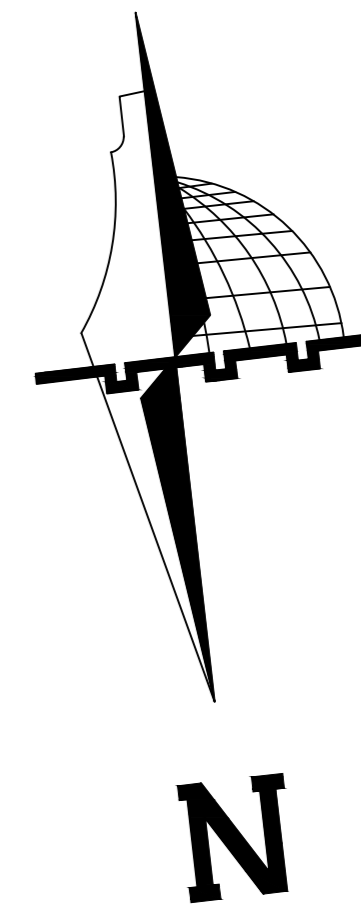
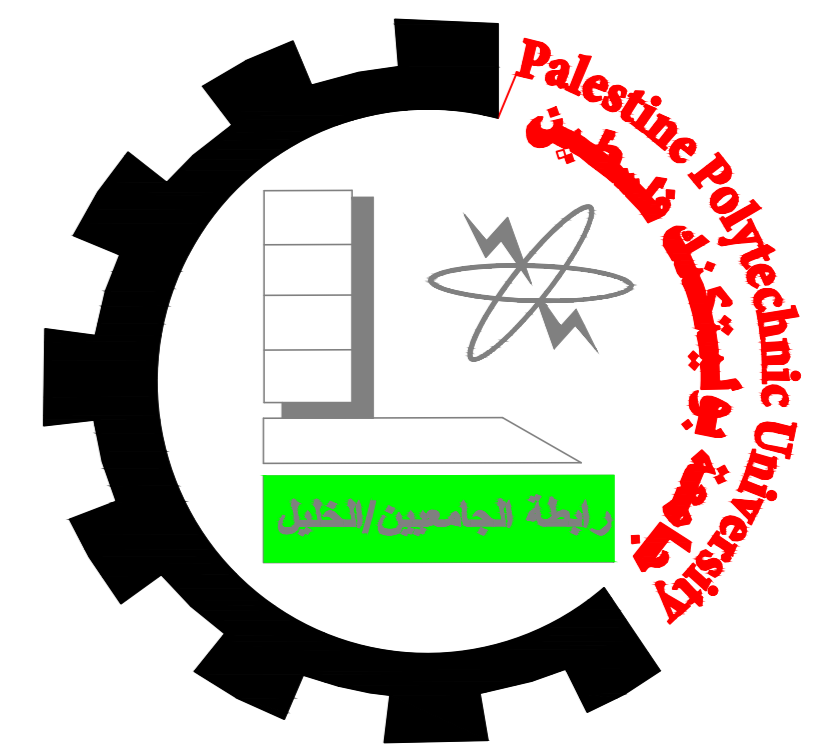
S 15

Date : 2/6/2021

View scale 1/100

Cover 2 cm





NOTES:

All Dimensions are in meters unless otherwise shown.
All spot levels are in meters.

Palestine Polytechnic University
Civil. & Arch. Eng. Department

Building Engineering

Project:

Residential Commercial Building

Designed By:

Feras Abo-Alraysh
Noor Beiwat
Anas Jobran

Supervisor:

Eng.Mai Haddad

Drawing Title:

Distribution of Rib
First Basment Floor plan

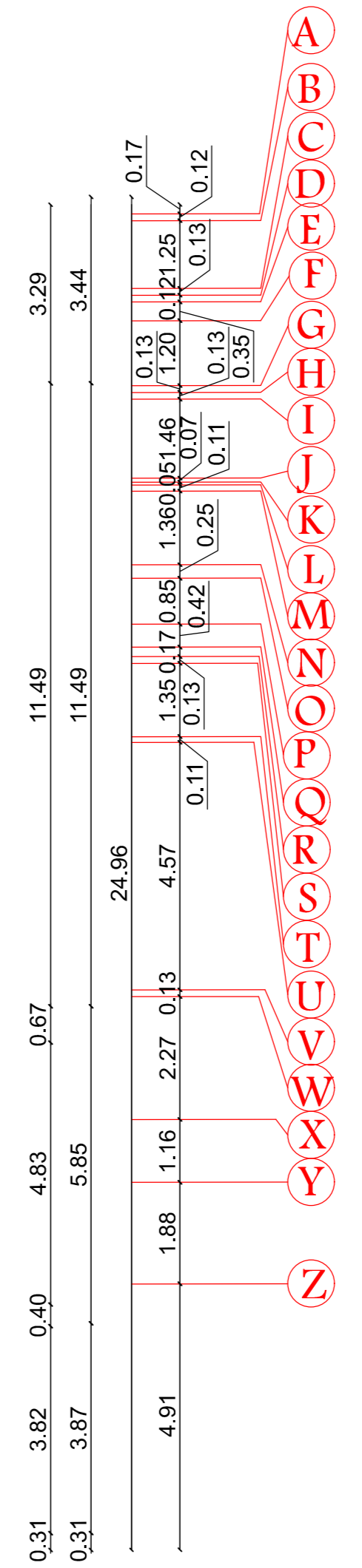
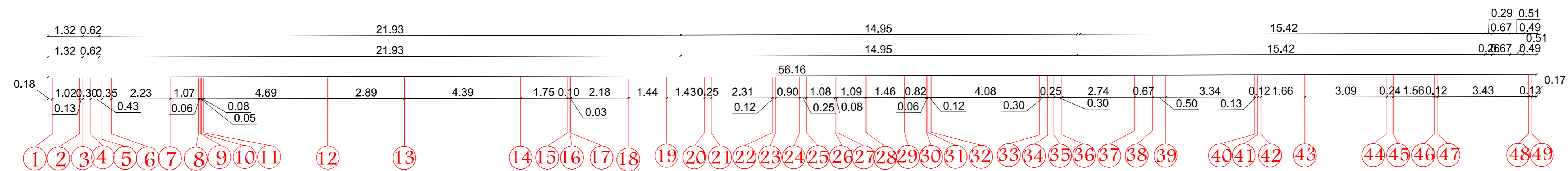
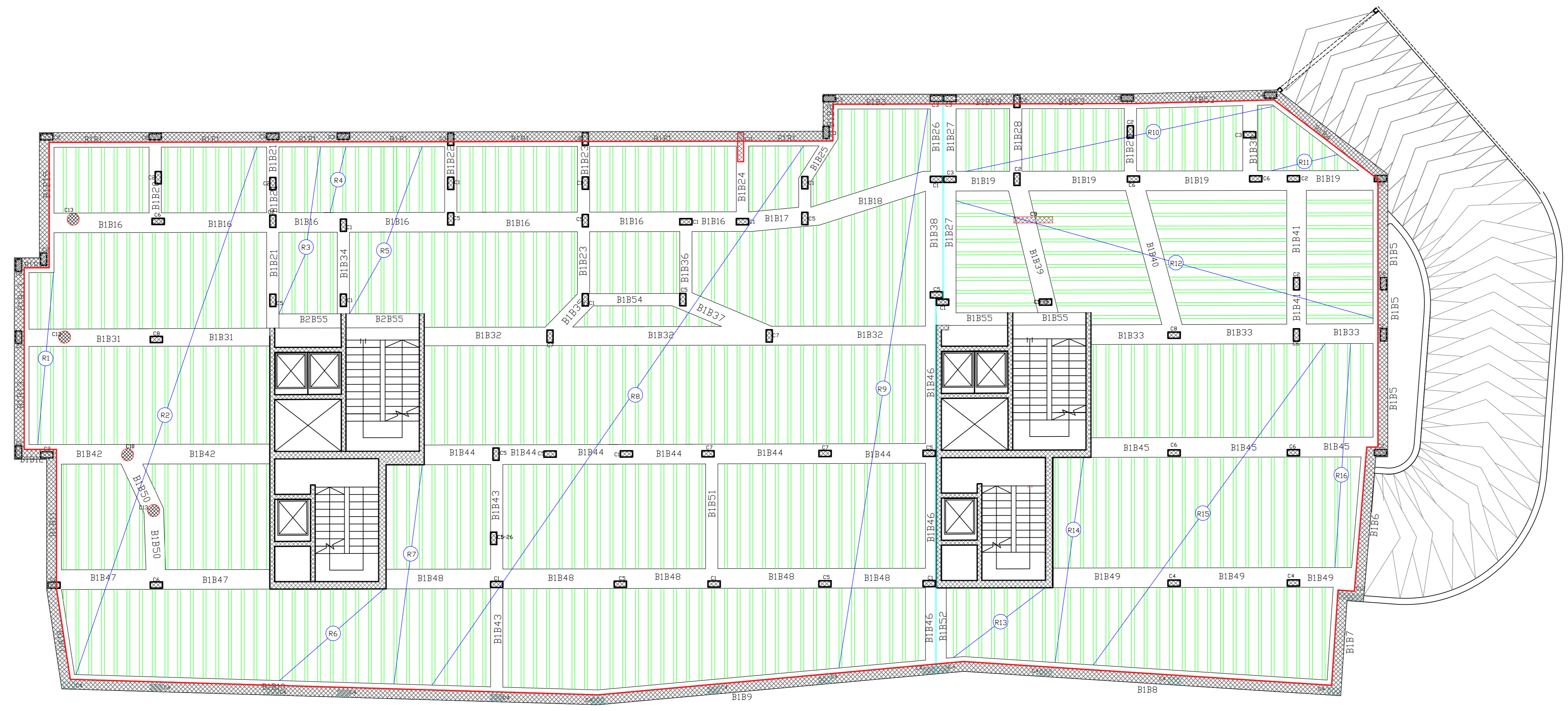
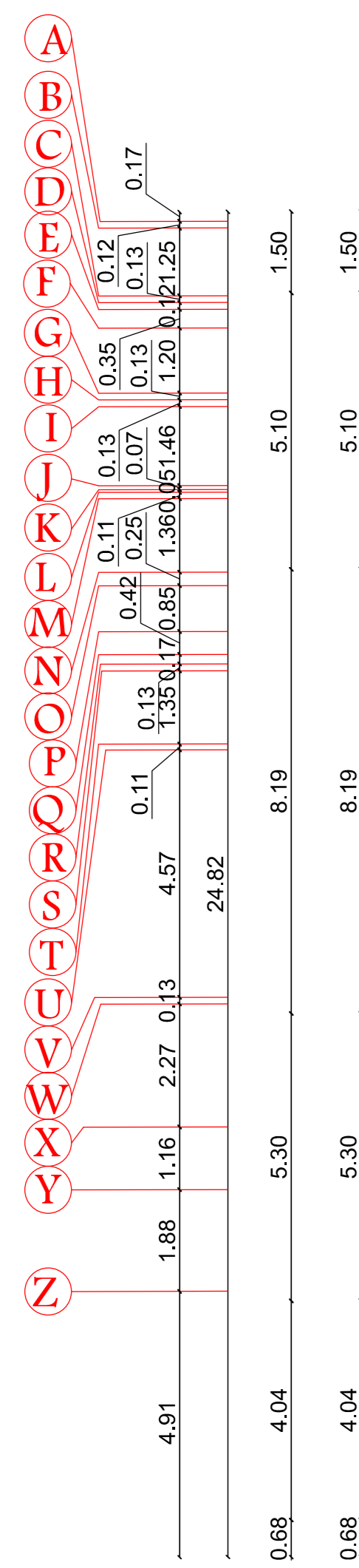
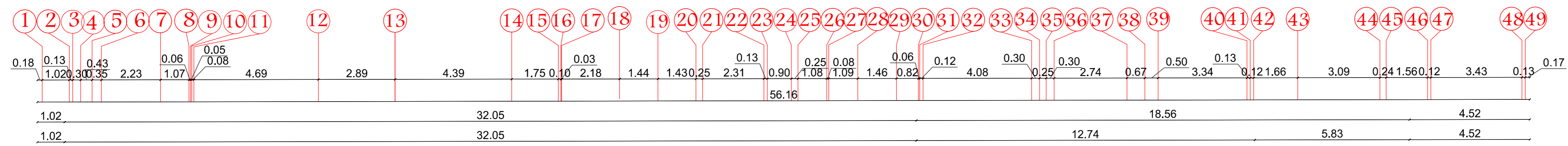
Drawing No.:

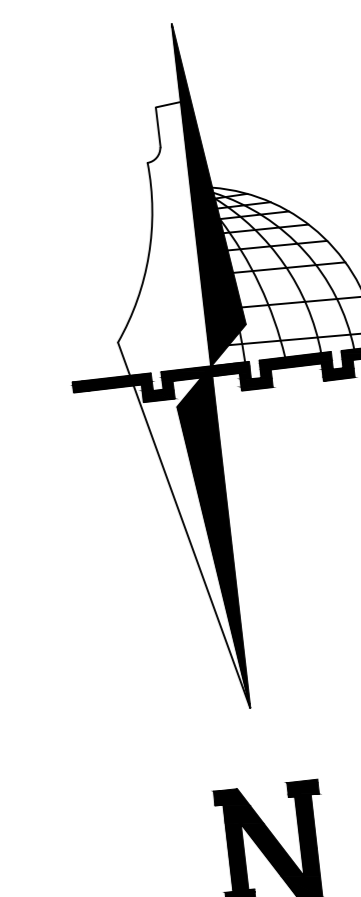
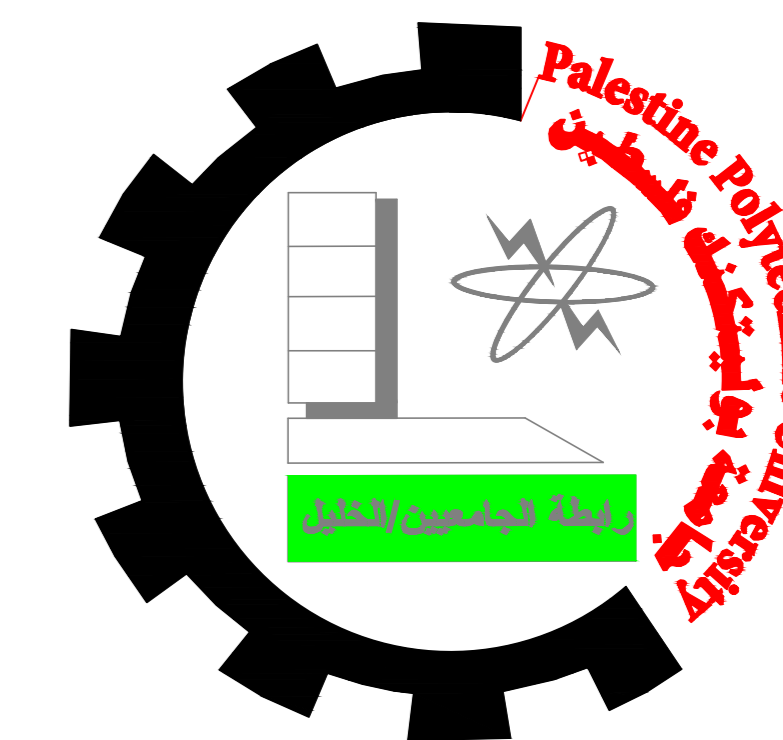
S 16

Date: 2/6/2021

View scale 1/100

Cover 2 cm





NOTES:

All Dimensions are in meters unless otherwise shown.

All spot levels are in meters.

Palestine Polytechnic University
Civil. & Arch. Eng. Department

Building Engineering

Project:

Residential Commercial Building

Designed By:

Feras Abo-Aljaysh
Noor Beiwat
Anas Jobran

Supervisor:

Eng.Mai Haddad

Drawing Title:

Distribution of Rib
Ground Floor plan

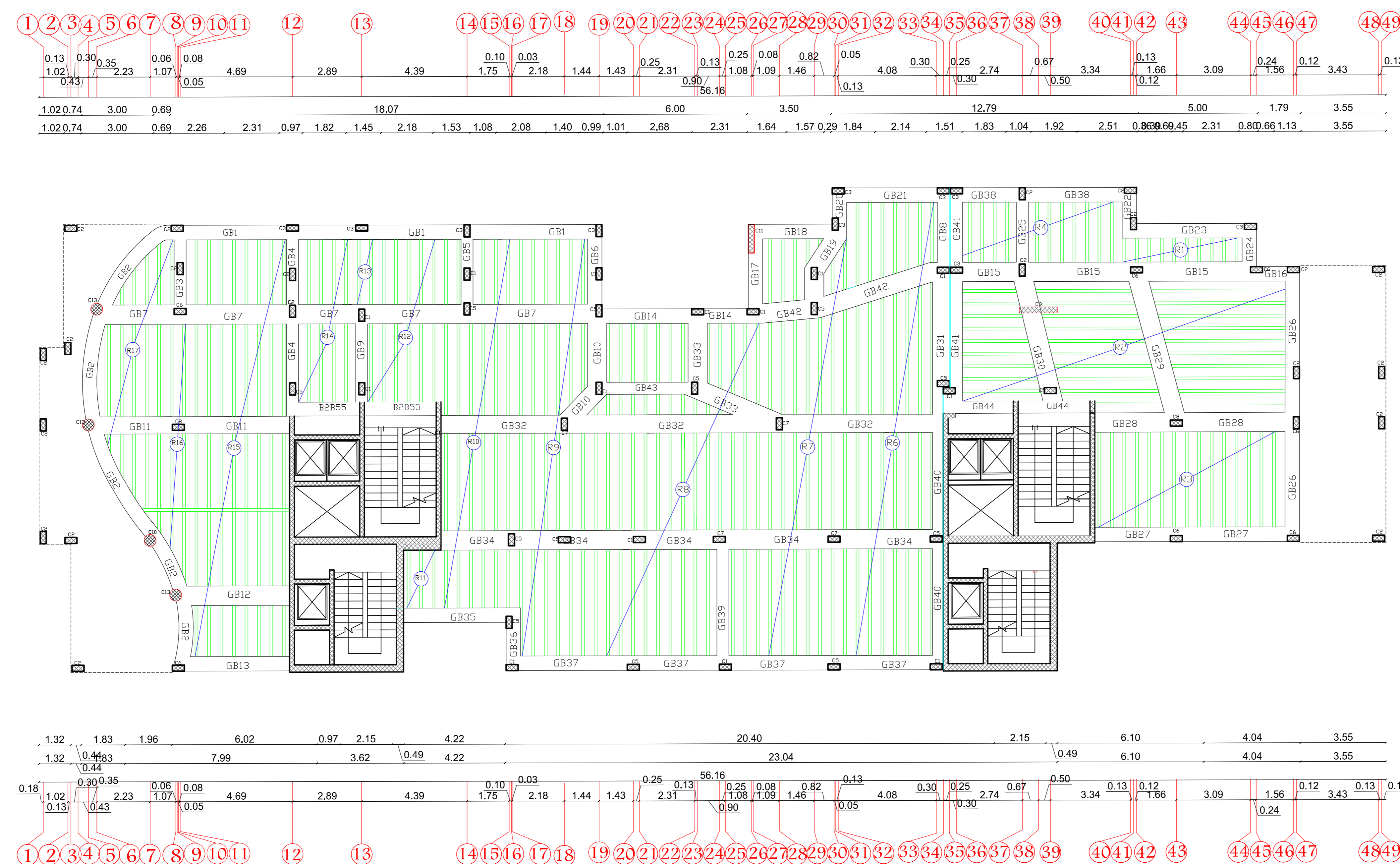
Drawing No.:

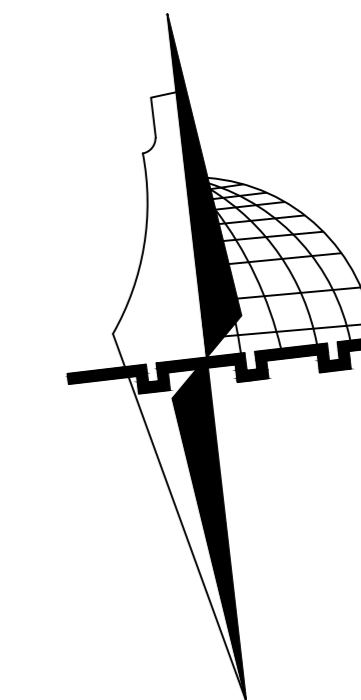
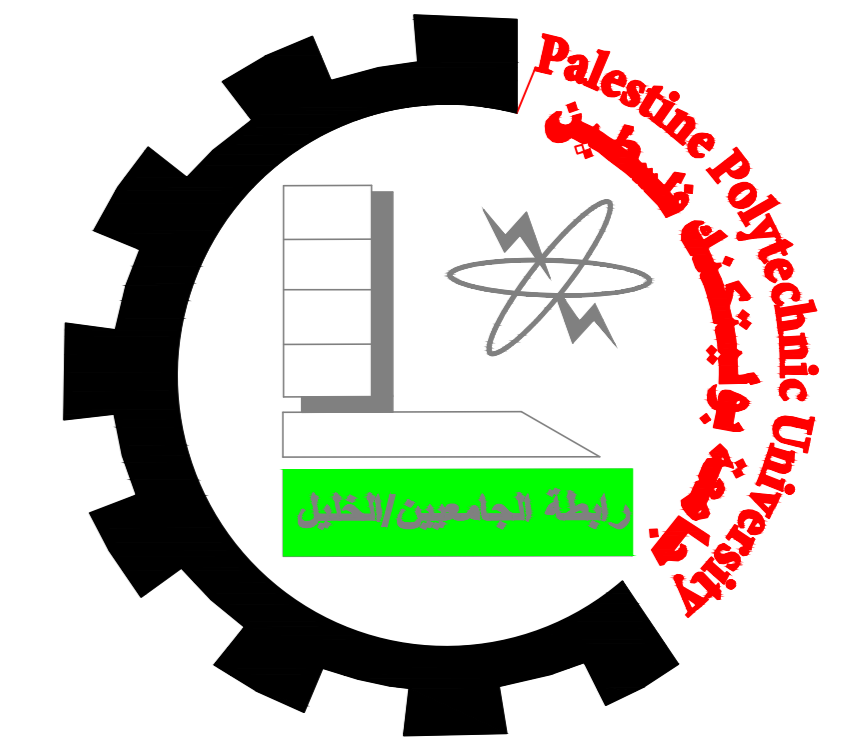
S 17

Date : 2/6/2021

View scale 1/100

Cover 2 cm





NOTES:

All Dimensions are in meters
unless otherwise shown.
All spot levels are in meters.

Palestine Polytechnic University
Civil. & Arch. Eng. Department
Building Engineering

Project:
Residential Commercial Building

Designed By:
Feras Abo-Aljaysh
Noor Beiwat
Anas Jobran

Supervisor:
Eng.Mai Haddad

Drawing Title:
Distribution of Rib
First Floor plan

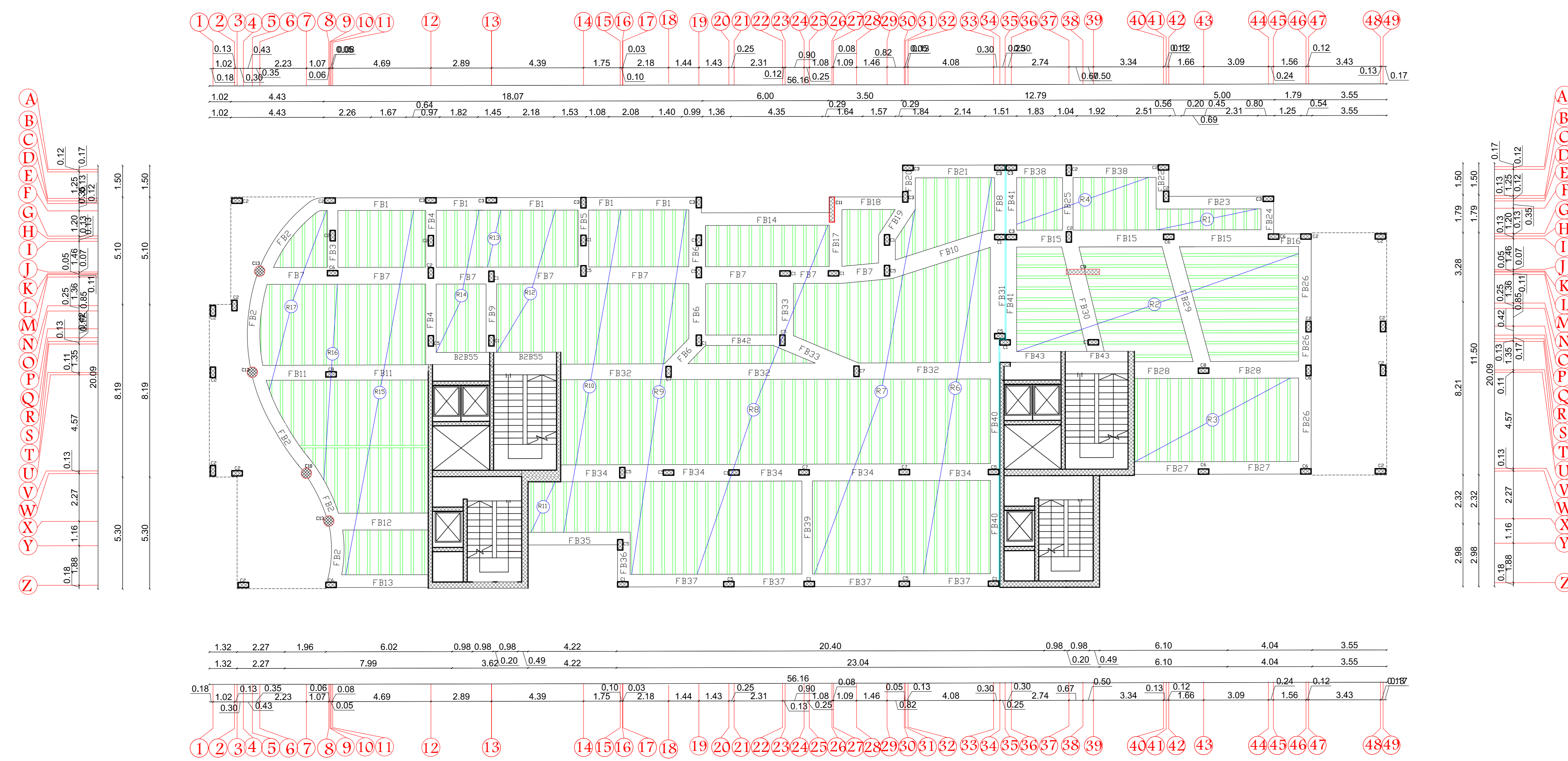
Drawing No.:

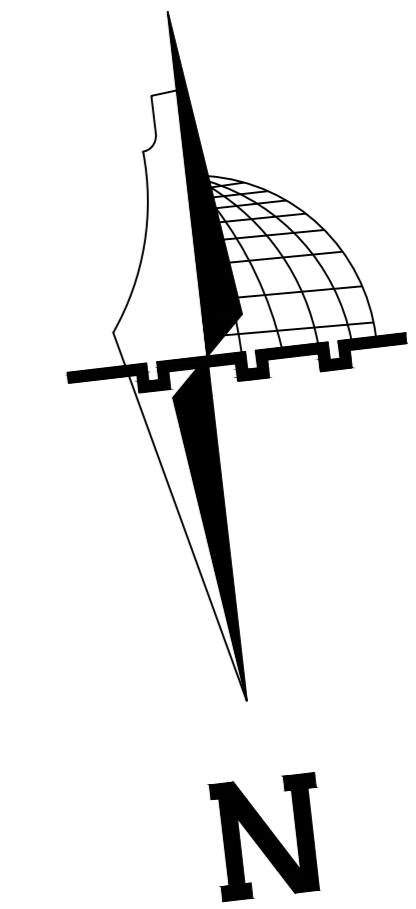
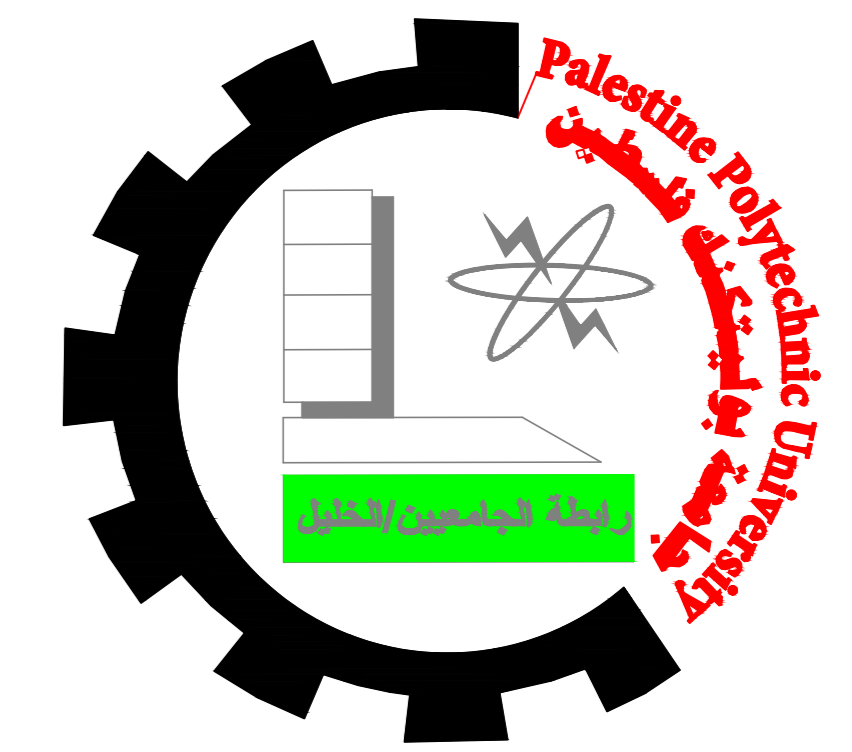
S 18

Date : 2/6/2021

View scale 1/100

Cover 2 cm





NOTES:

All Dimensions are in meters
unless otherwise shown.
All spot levels are in meters.

Palestine Polytechnic University
Civil. & Arch. Eng. Department

Building Engineering

Project :

Residential Commercial Building

Designed By :

Feras Abo-Aljaysh
Noor Beiwat
Anas Jobran

Supervisor :

Eng.Mai Haddad

Drawing Title :

Distribution of Rib
Second Floor plan

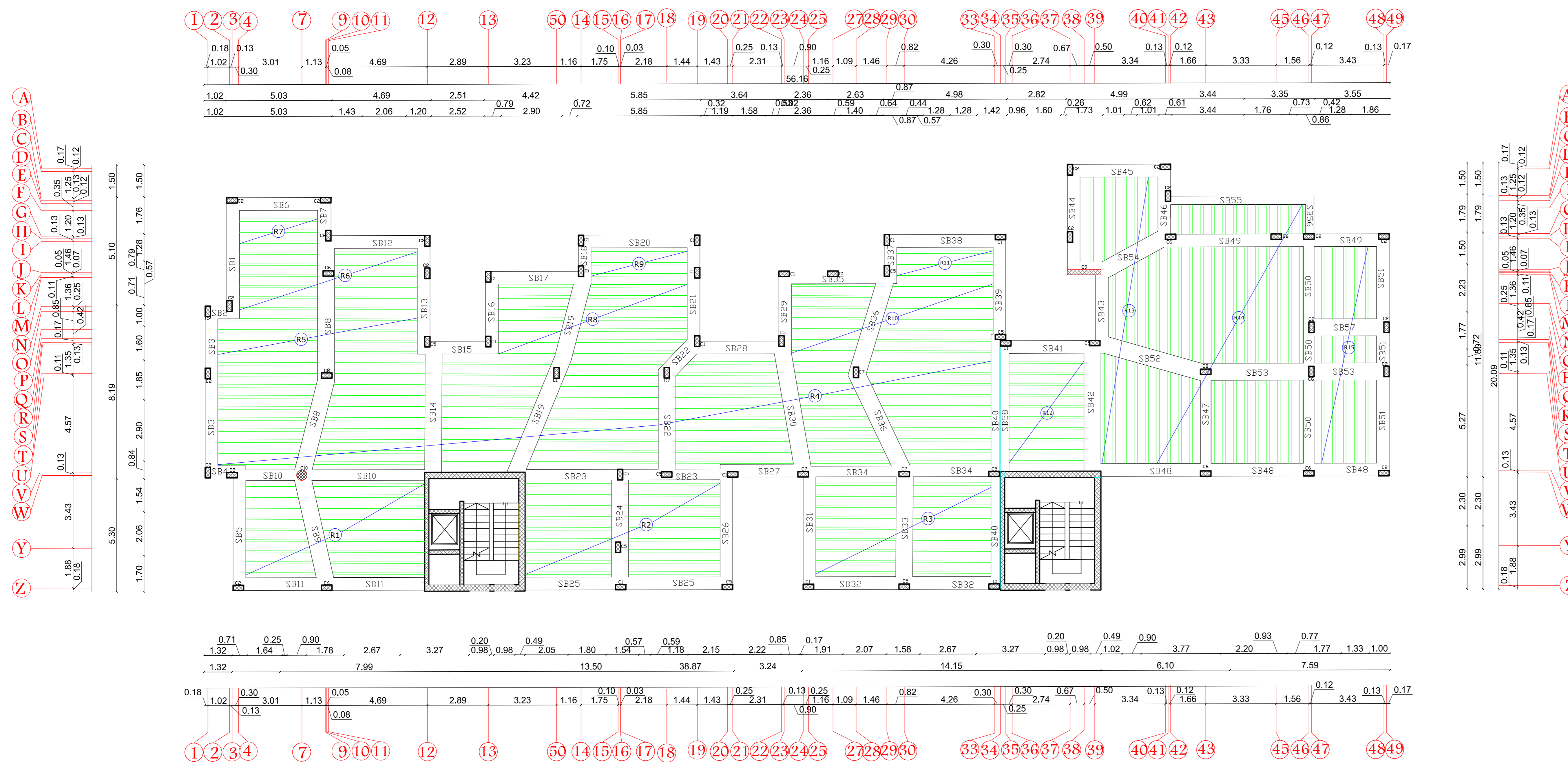
Drawing No :

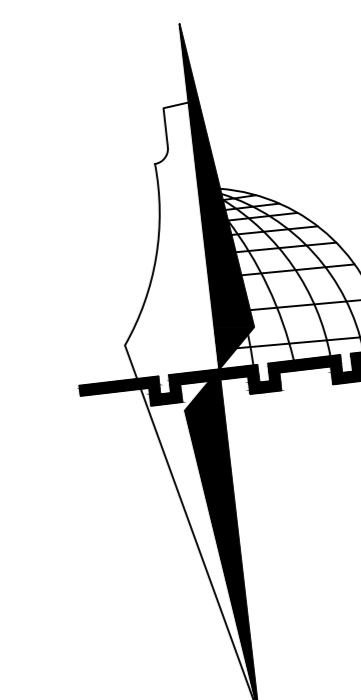
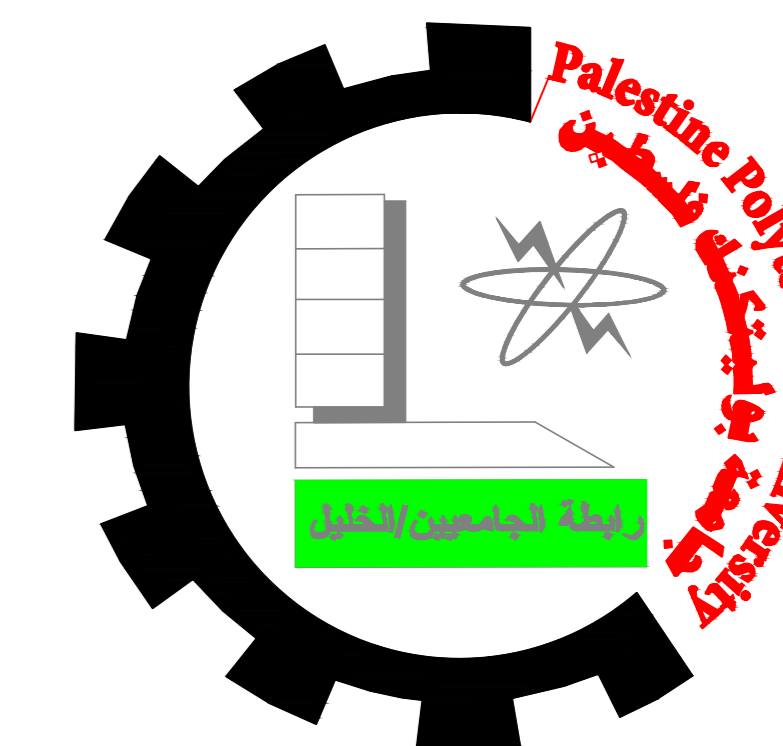
S 19

Date : 2/6/2021

View scale 1/100

Cover 2 cm





N

NOTES:

All Dimensions are in meters unless otherwise shown.

All spot levels are in meters.

Palestine Polytechnic University
Civil. & Arch. Eng. Department

Building Engineering

Project :

Residential Commercial Building

Designed By :

Feras Abo-Aljaysh
Noor Beiwat
Anas Jobran

Supervisor :

Eng. Mai Haddad

Drawing Title :
Distribution of Rib
Roof Floor plan

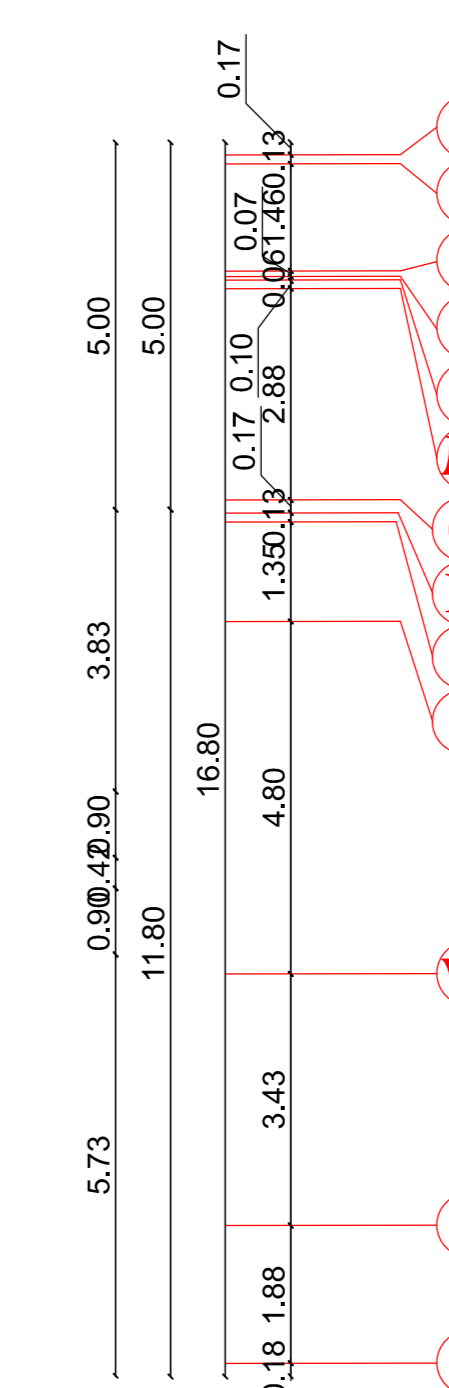
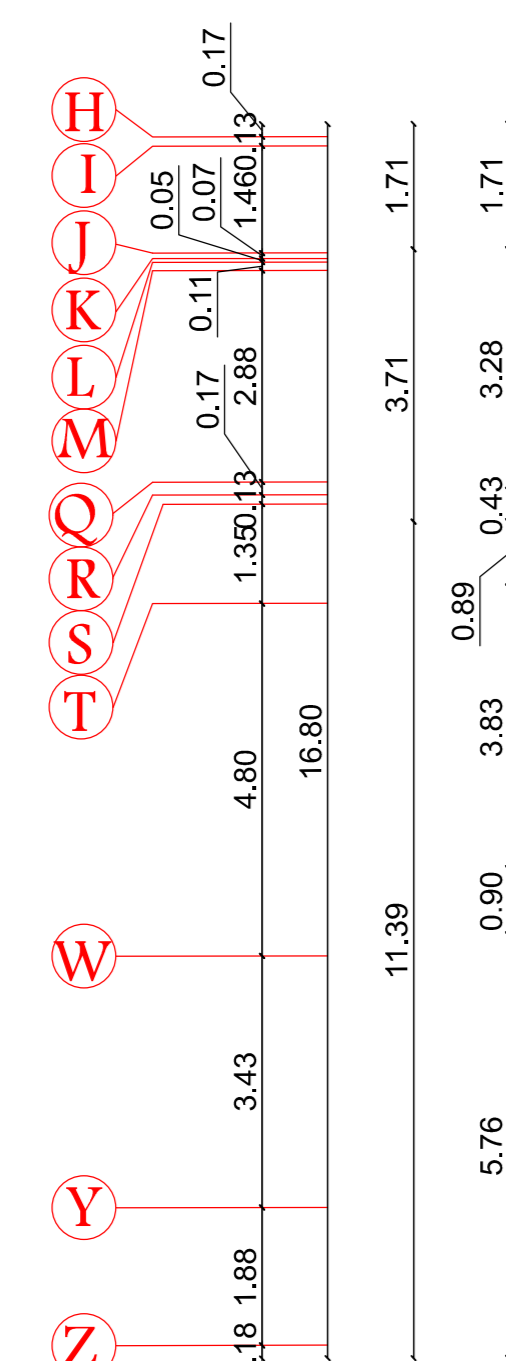
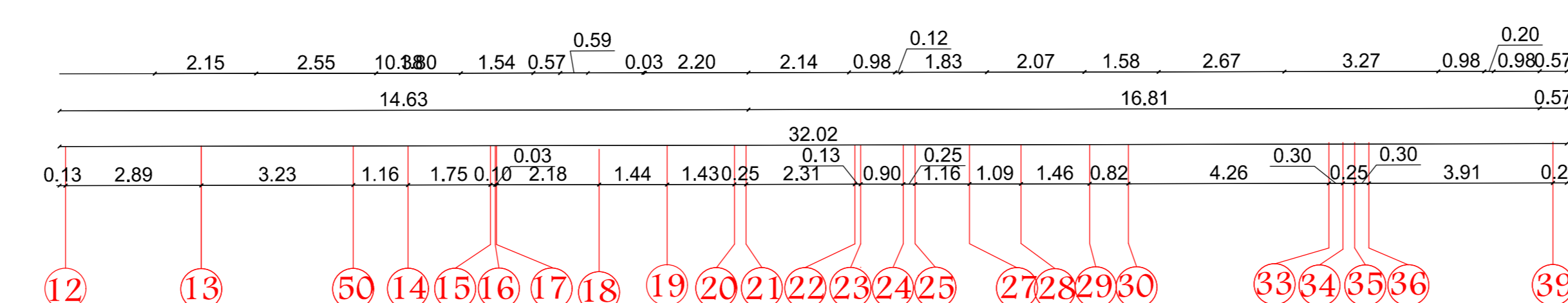
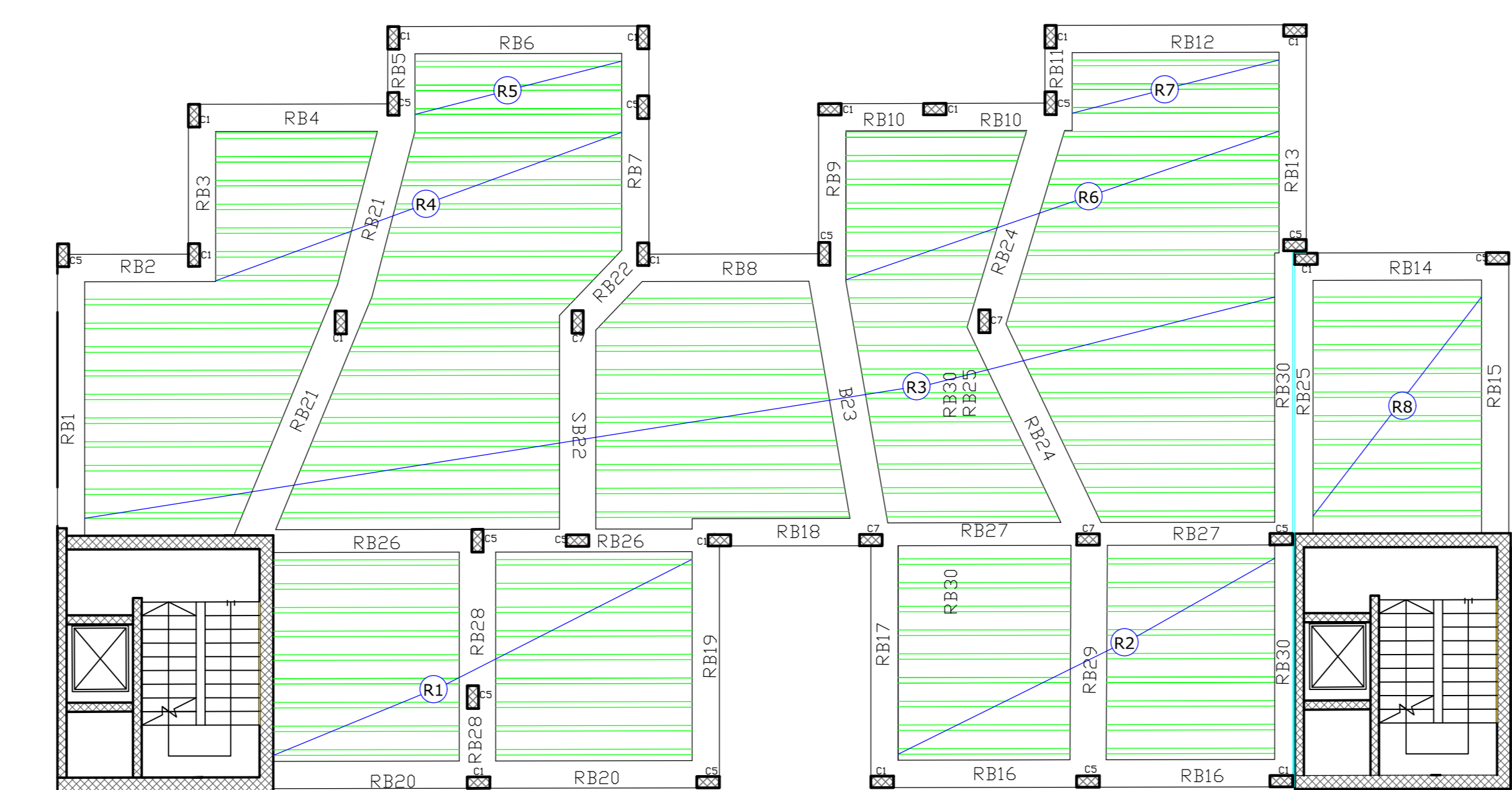
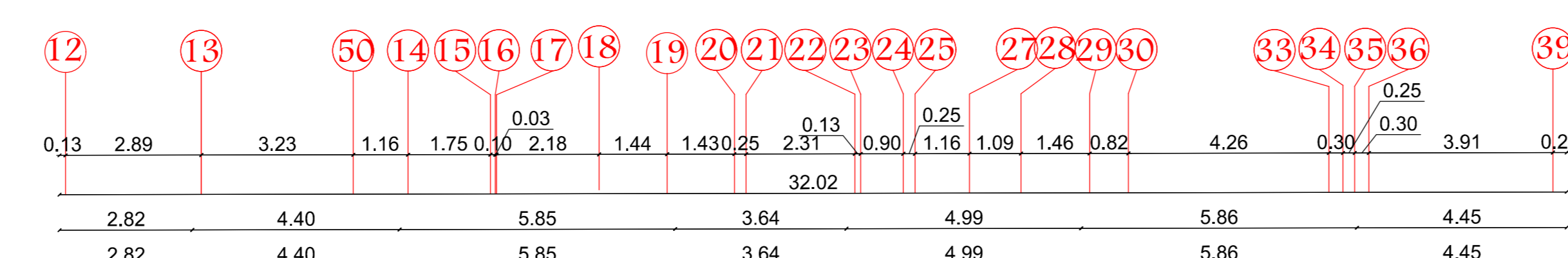
Drawing No :

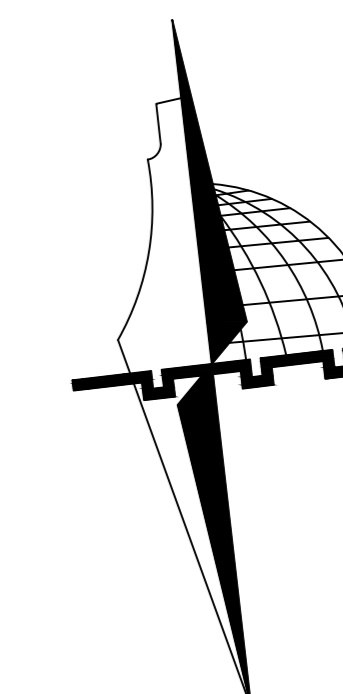
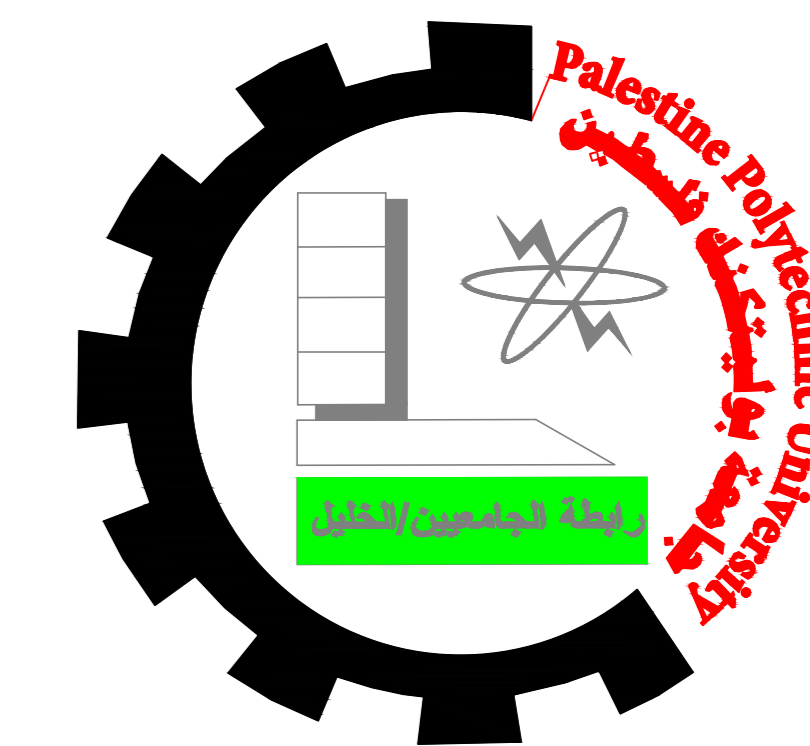
S 20

Date : 2/6/2021

View scale 1/100

Cover 2 cm





N

NOTES:

All Dimensions are in meters unless otherwise shown.
All spot levels are in meters.

Palestine Polytechnic University
Civil. & Arch. Eng. Department
Building Engineering

Project:

Residential Commercial Building

Designed By:

Feras Abo-Aljraysh
Noor Beiwat
Anas Jobran

Supervisor:

Eng. Mai Haddad

Drawing Title:
Second Basment Floor plan
Details

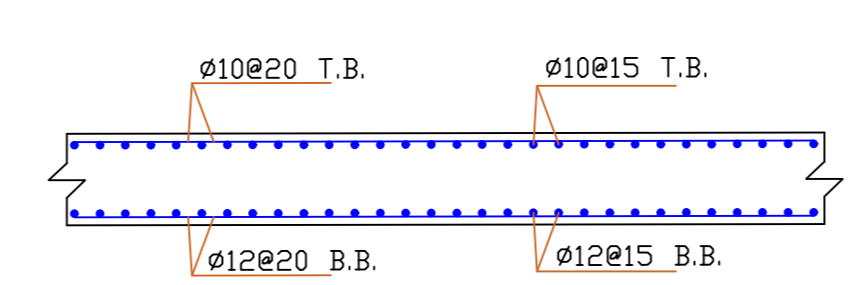
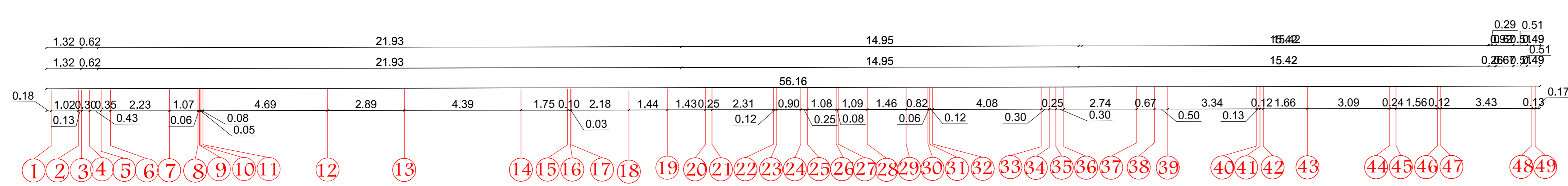
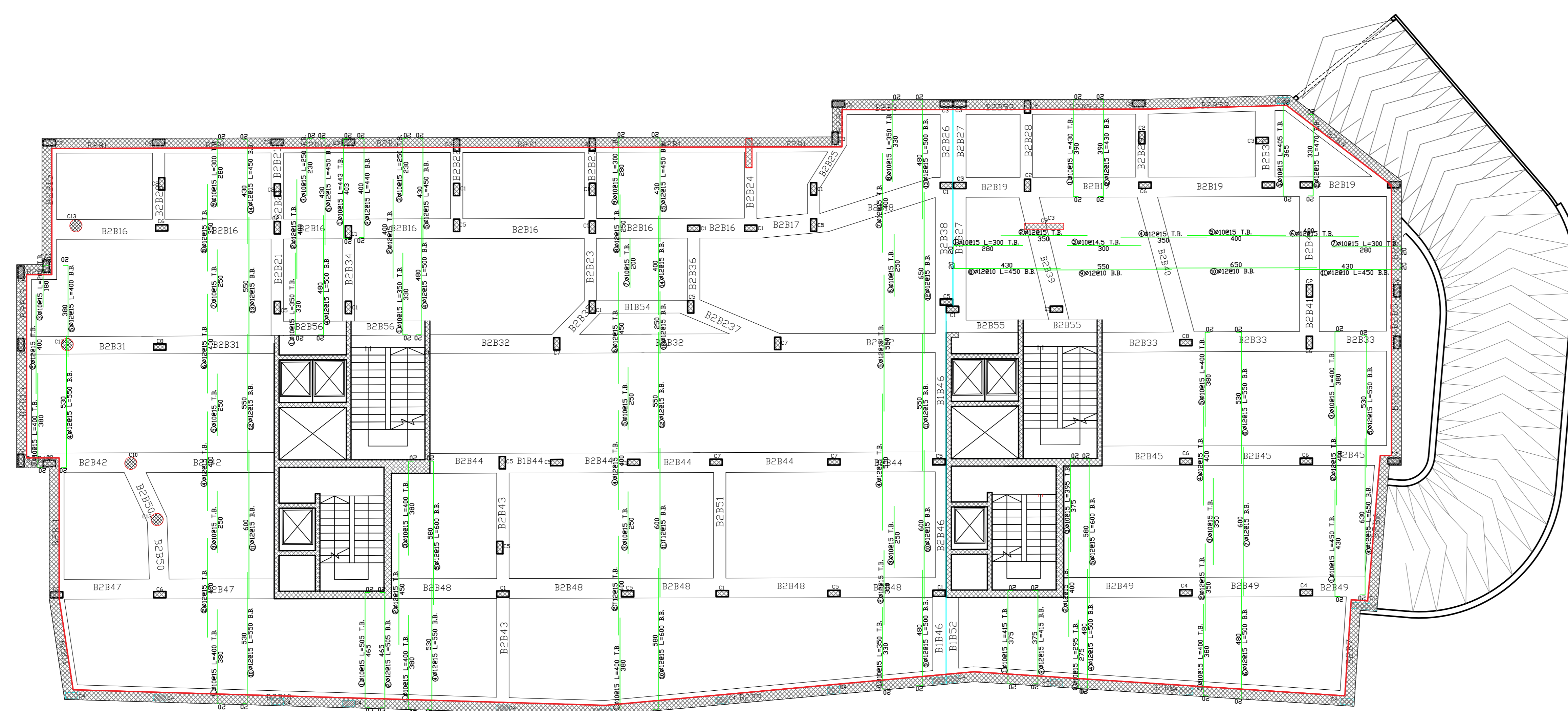
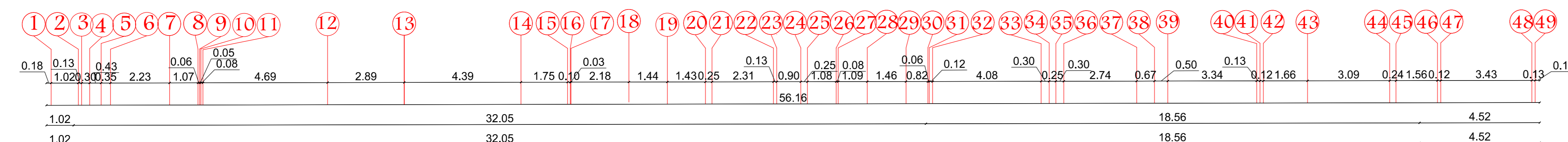
Drawing No.:

S 21

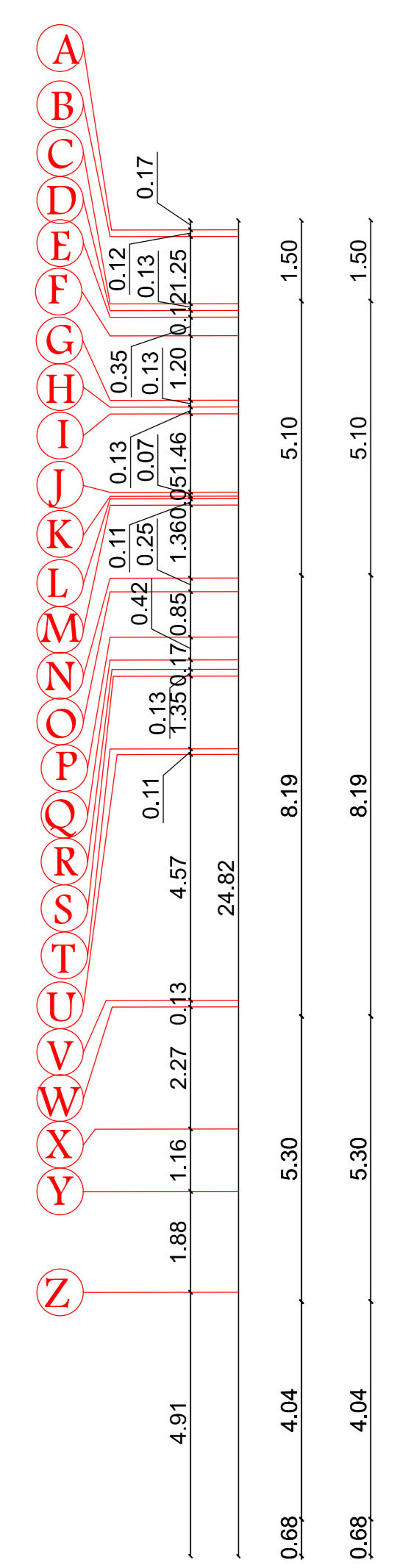
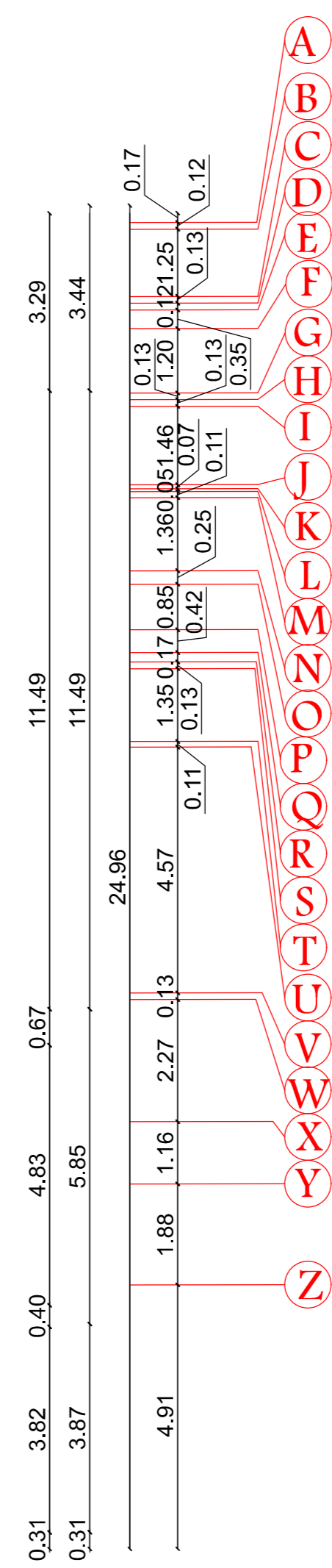
Date : 2/6/2021

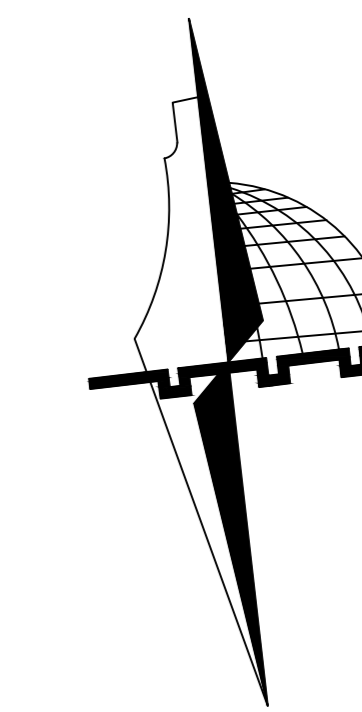
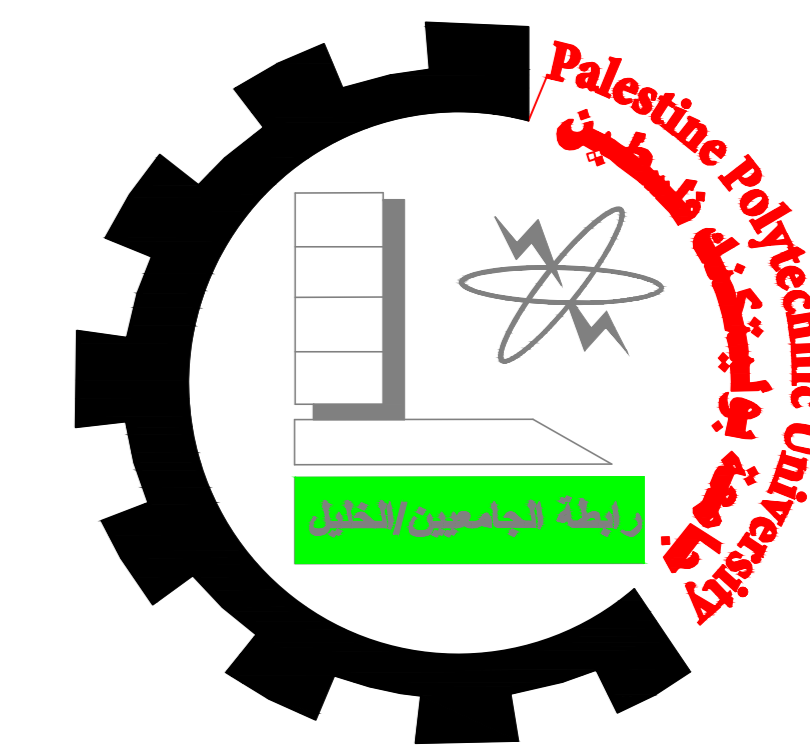
View scale 1/100

Cover 2 cm



Section A-A scale 1:20





N

NOTES:

All Dimensions are in meters unless otherwise shown.
All spot levels are in meters.

Palestine Polytechnic University
Civil. & Arch. Eng. Department

Building Engineering

Project:

Residential Commercial Building

Designed By:

Feras Abo-Aljraysh
Noor Beiwat
Anas Jobran

Supervisor:

Eng.Mai Haddad

Drawing Title:

First Basment Floor plan
Details

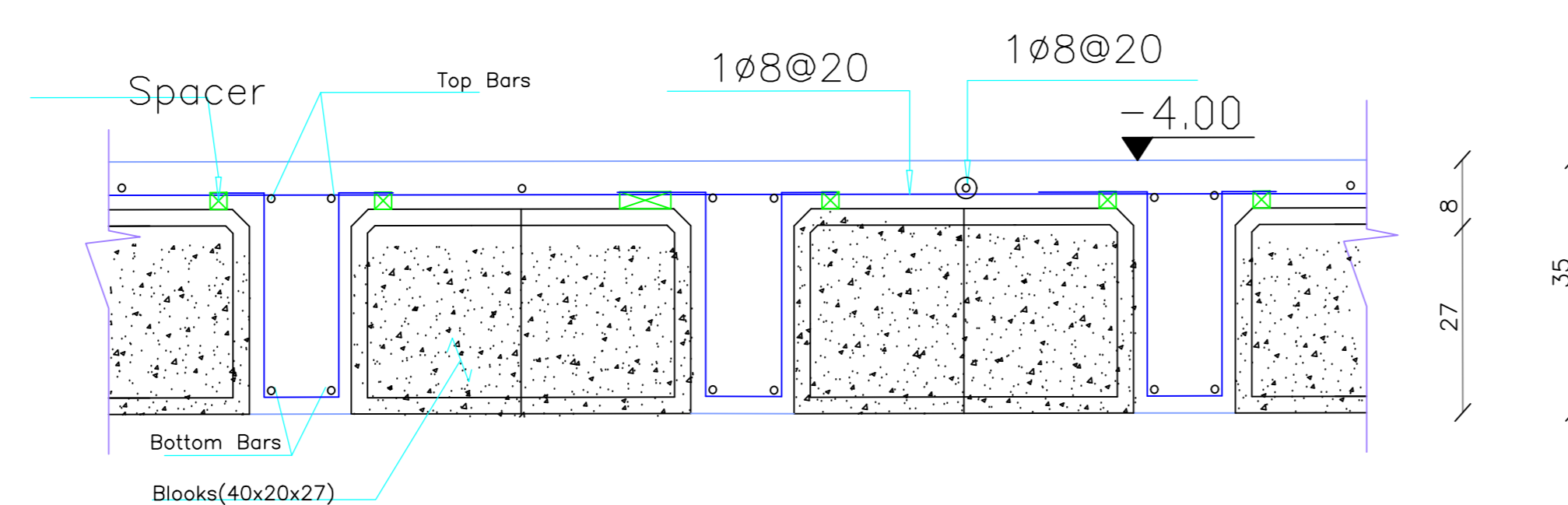
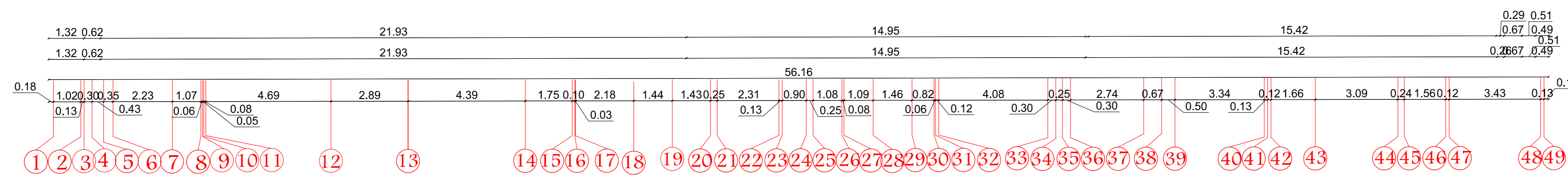
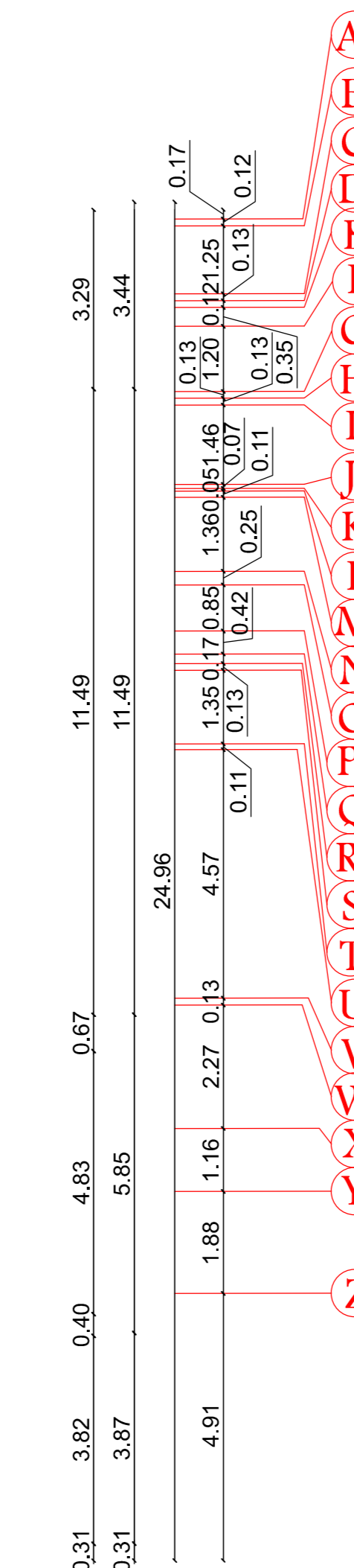
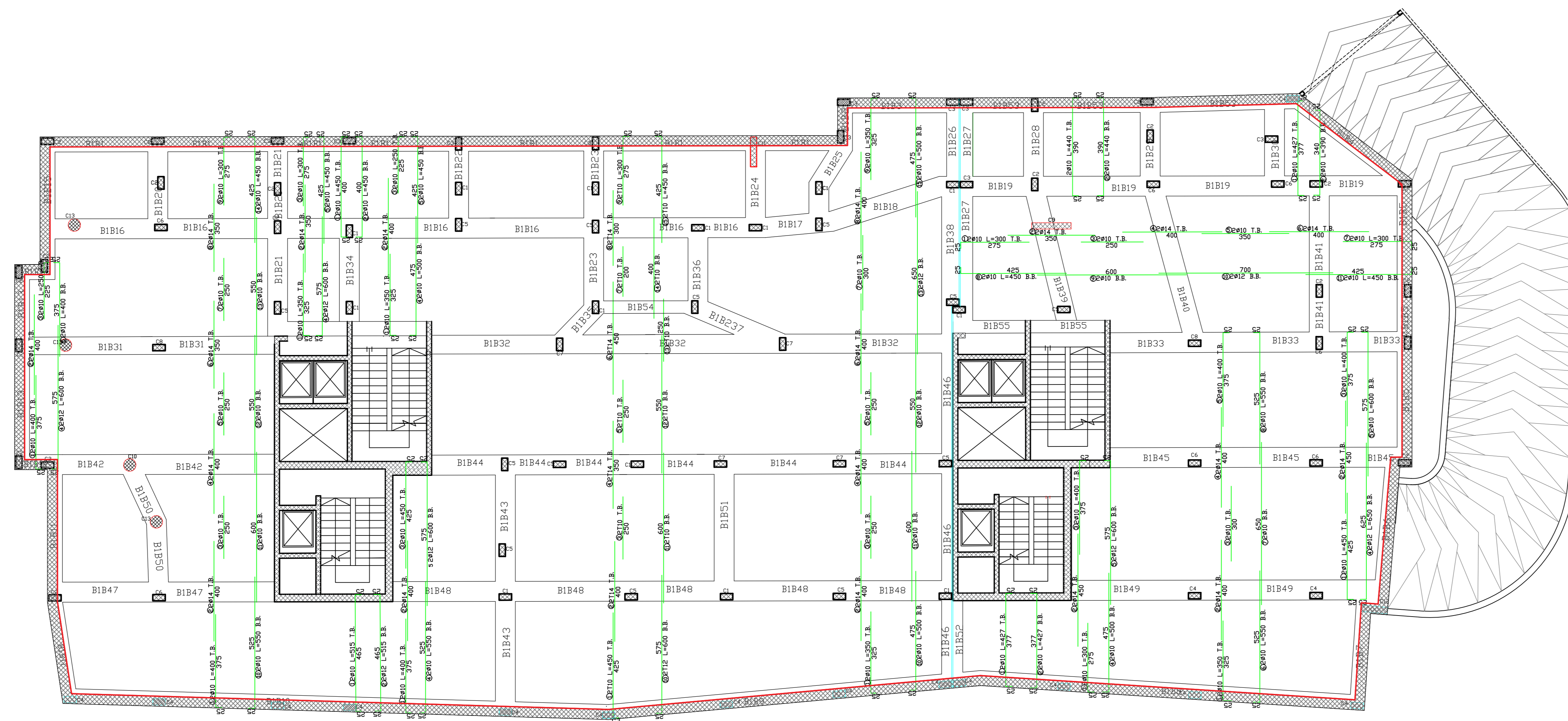
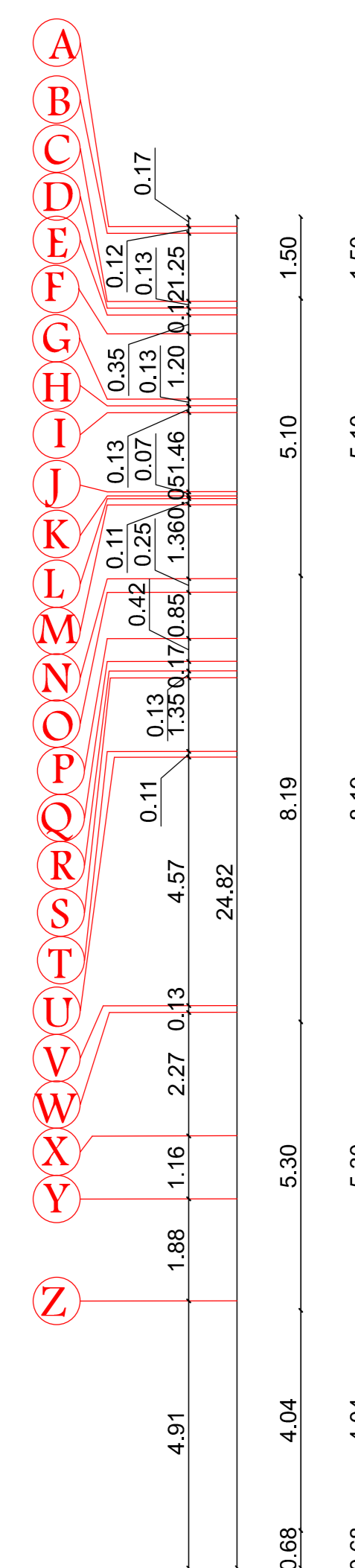
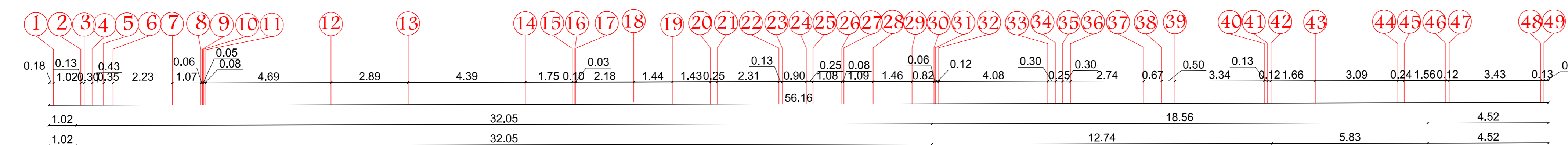
Drawing No.:

§ 22

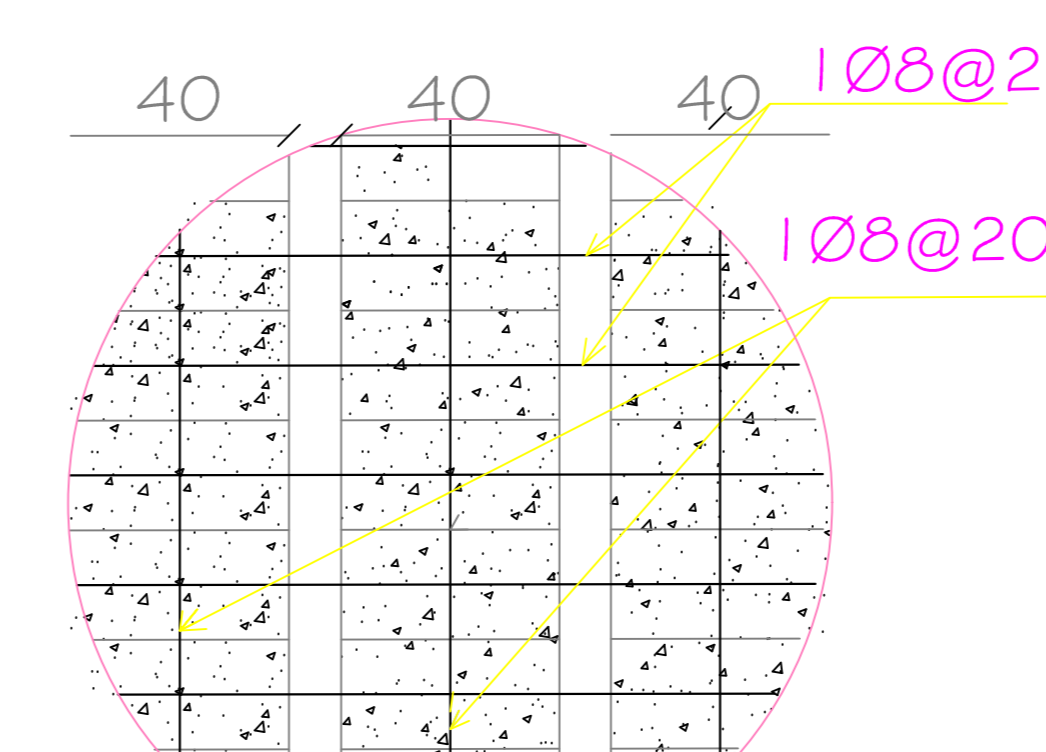
Date: 2/6/2021

View scale 1/100

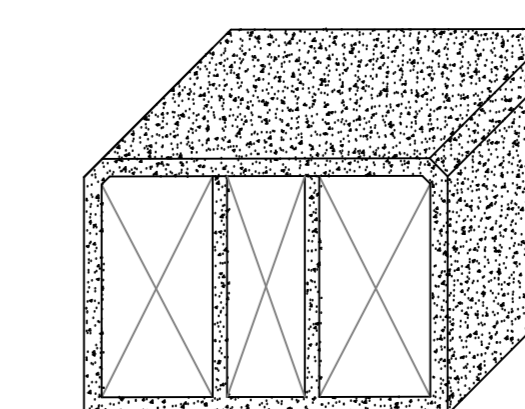
Cover 2 cm



RIBBED SLAB

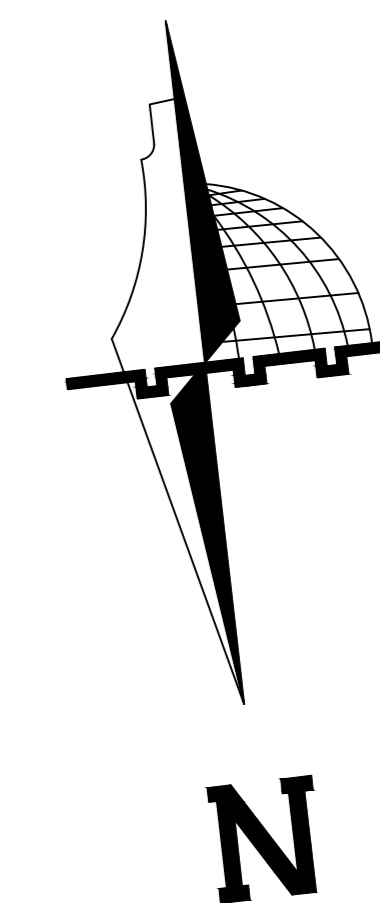
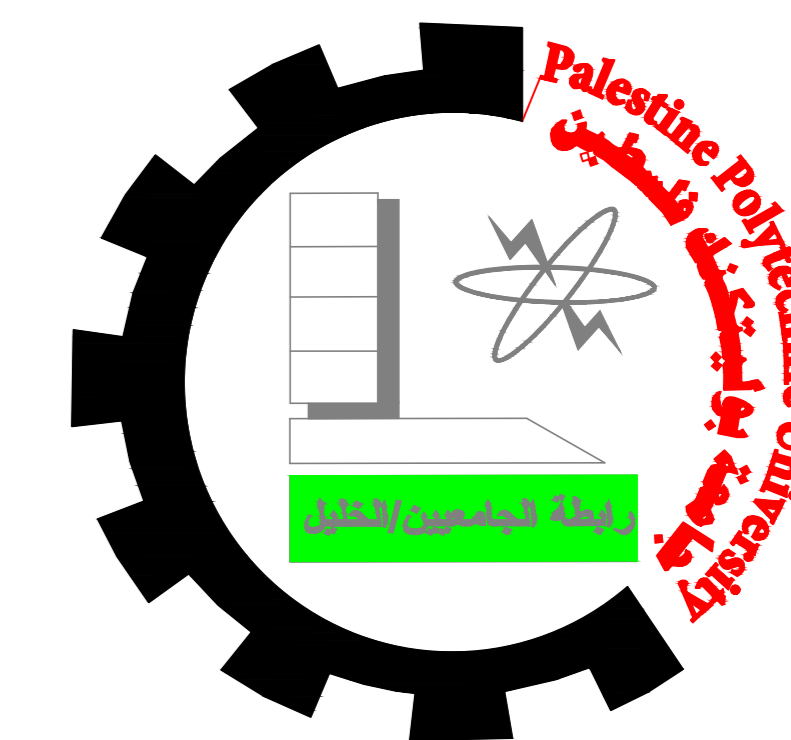


Detail A



Blocks(40x20x27)

Detail A



NOTES:

All Dimensions are in meters unless otherwise shown.
All spot levels are in meters.

Palestine Polytechnic University
Civil. & Arch. Eng. Department

Building Engineering

Project:

Residential Commercial Building

Designed By:

Feras Abo-Aljraysh
Noor Beiwat
Anas Jobran

Supervisor :

Eng.Mai Haddad

Drawing Title :

Ground Floor plan
Details

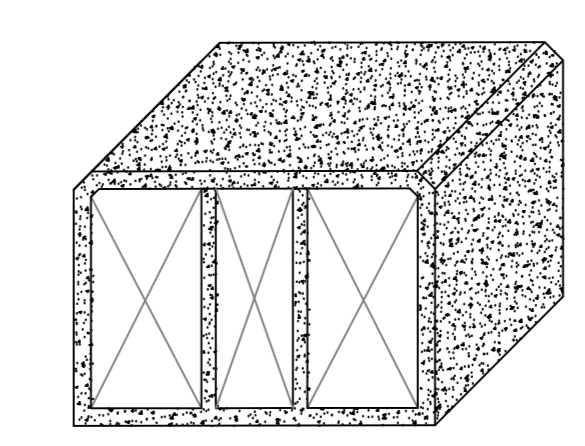
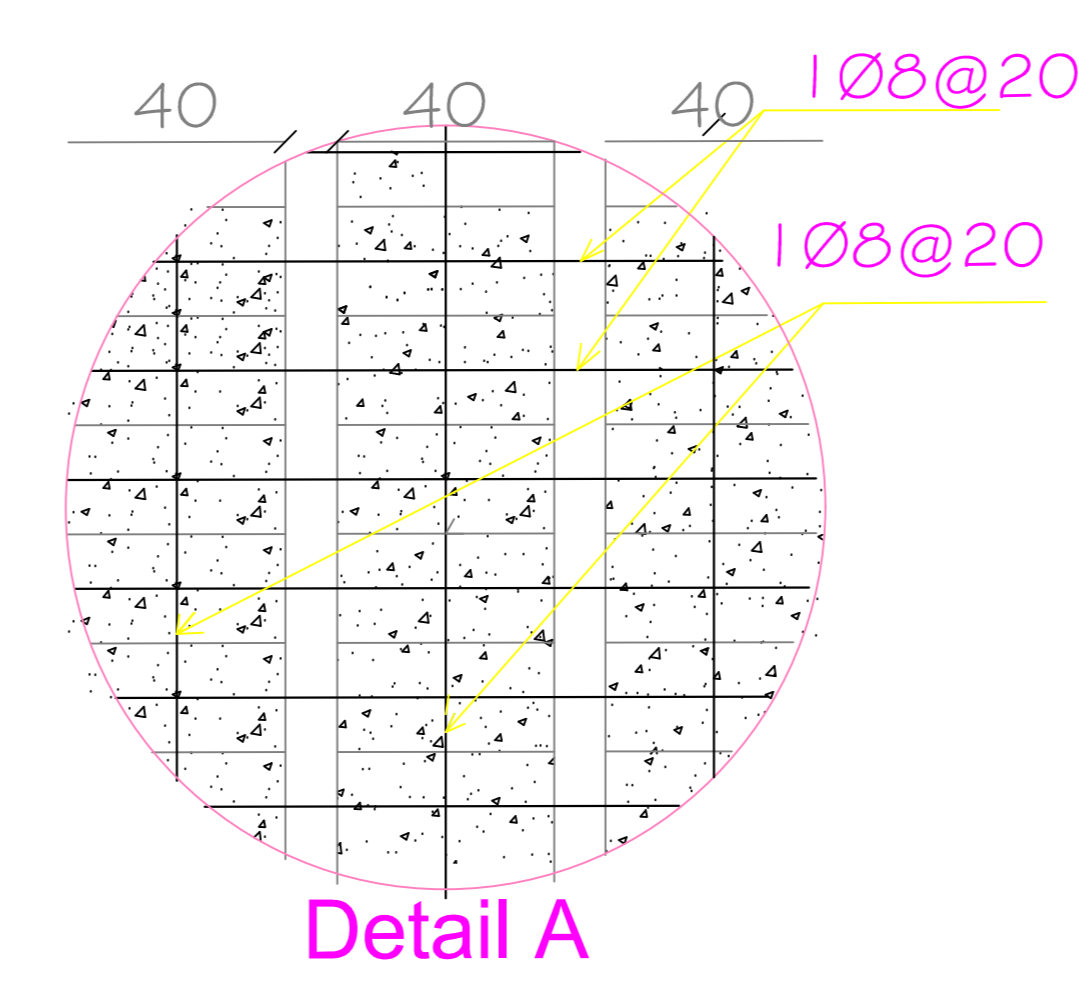
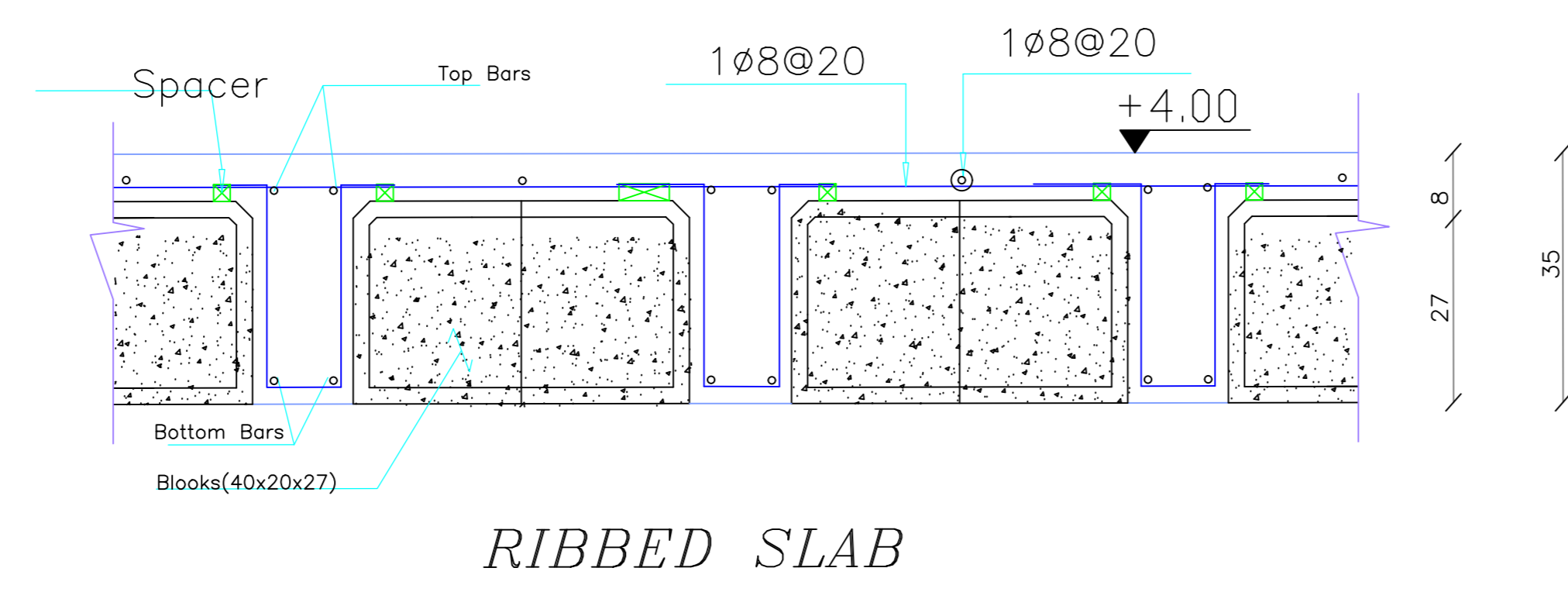
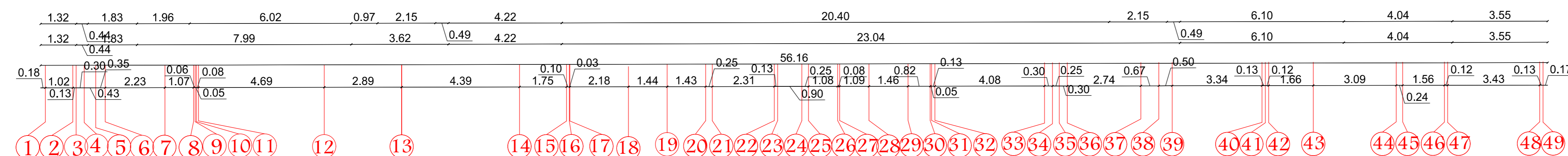
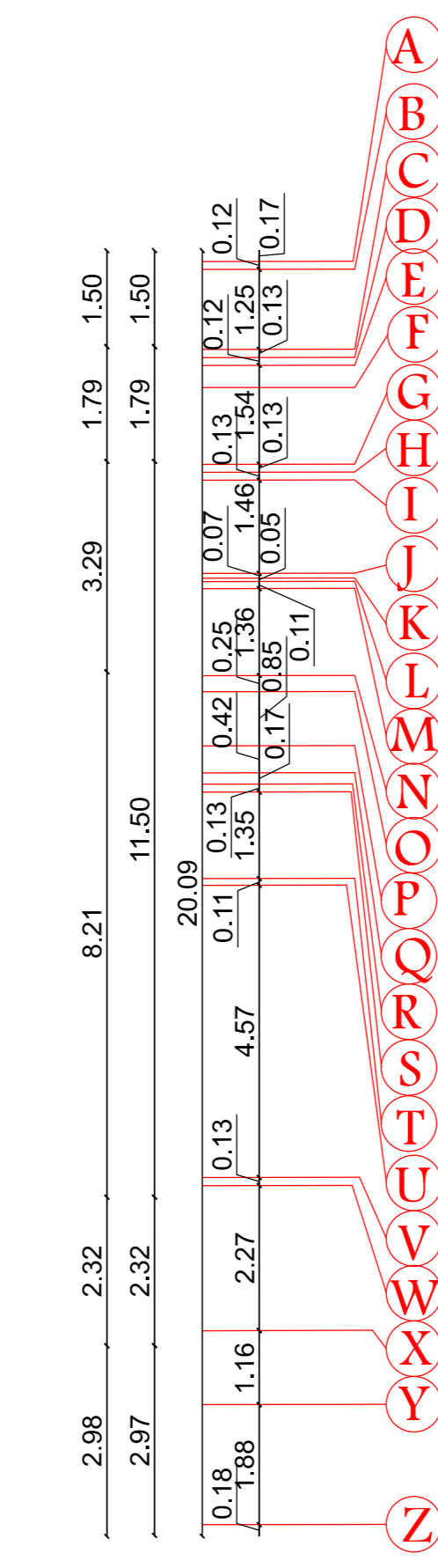
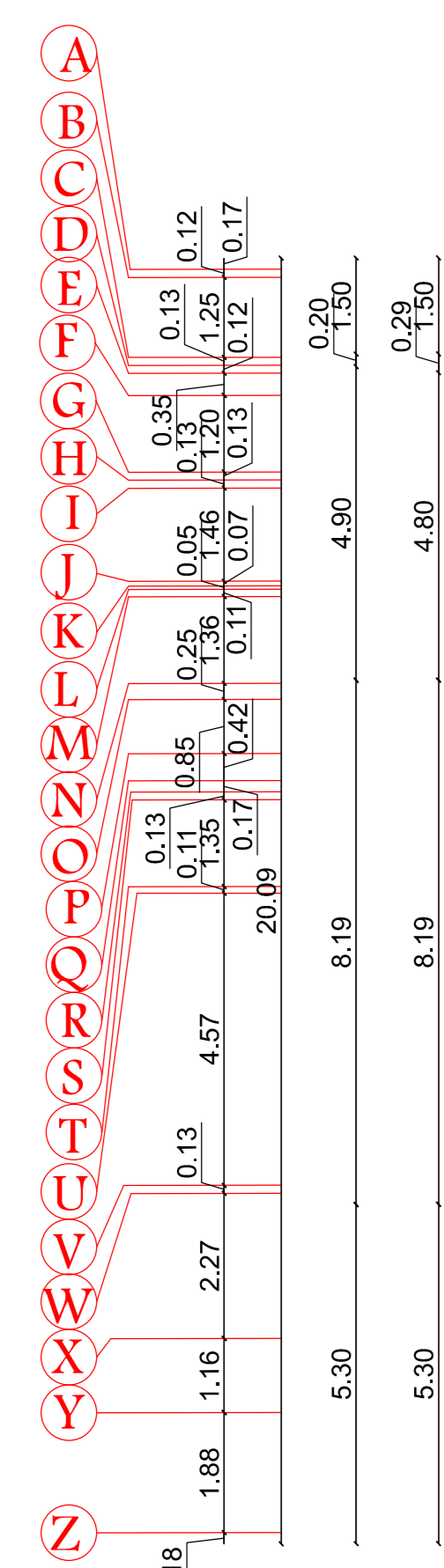
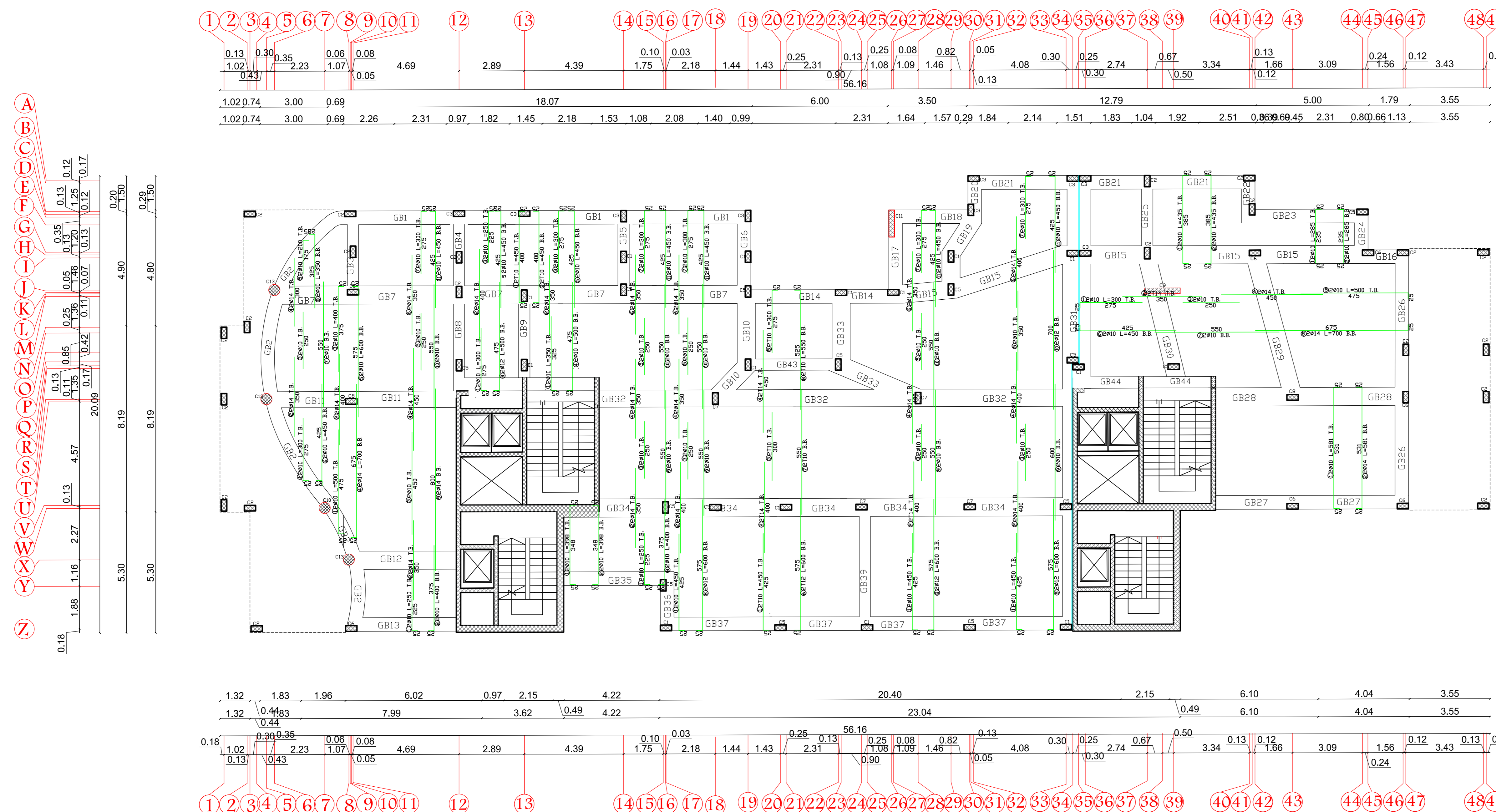
Drawing No :

S 23

Date : 2/6/2021

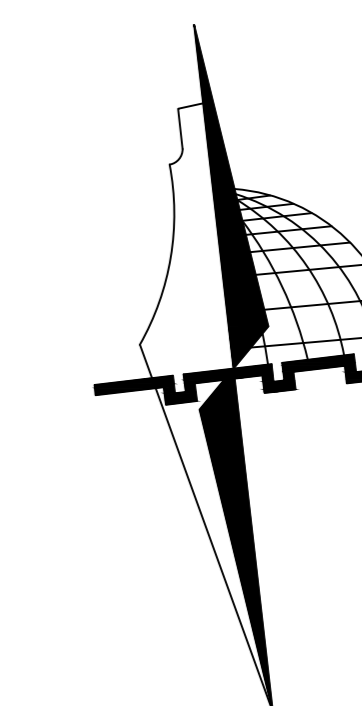
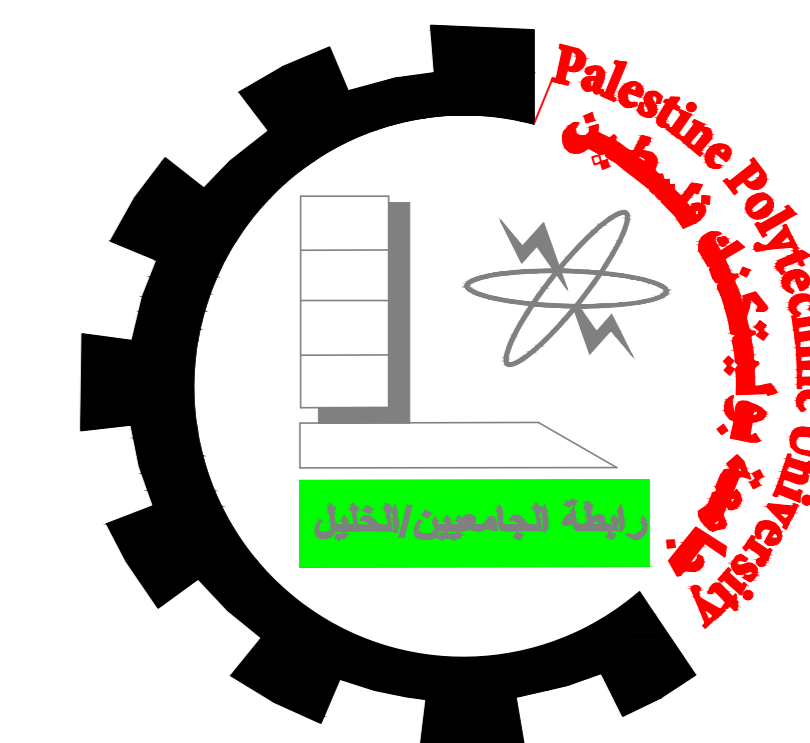
View scale 1/100

Cover 2 cm



Blocks(40x20x27)

Detail A



N

NOTES:

All Dimensions are in meters unless otherwise shown.

All spot levels are in meters.

Palestine Polytechnic University
Civil. & Arch. Eng. Department

Building Engineering

Project:

Residential Commercial Building

Designed By:

Feras Abo-Aljaysh
Noor Beiwat
Anas Jobran

Supervisor:

Eng.Mai Haddad

Drawing Title:

First Floor plan
Details

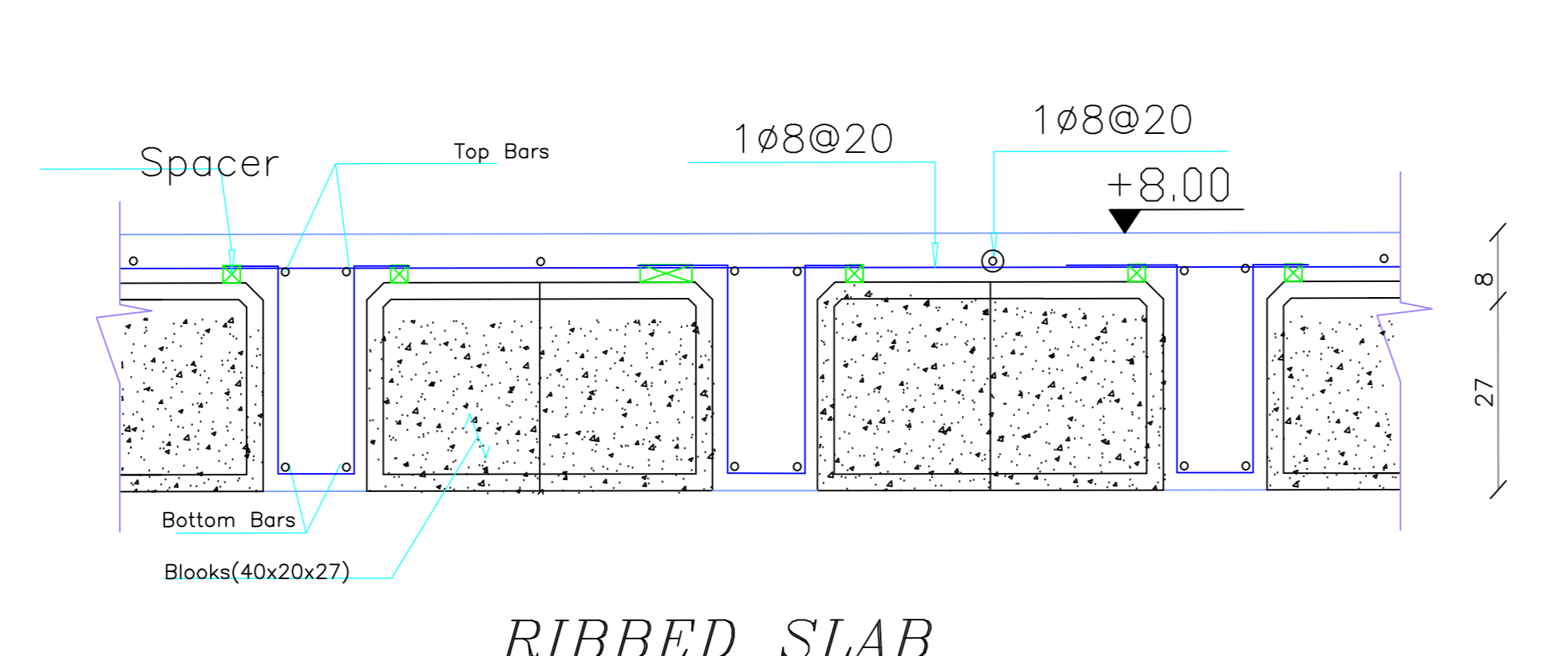
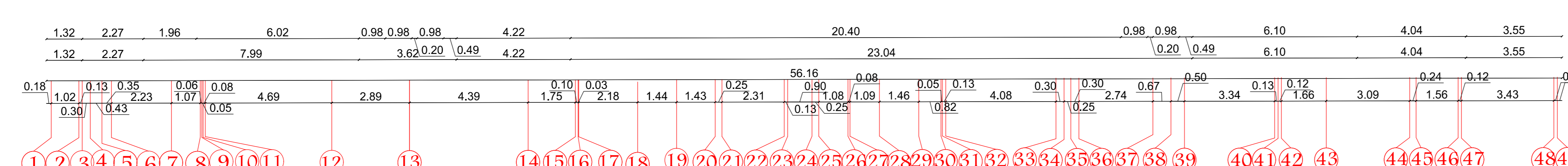
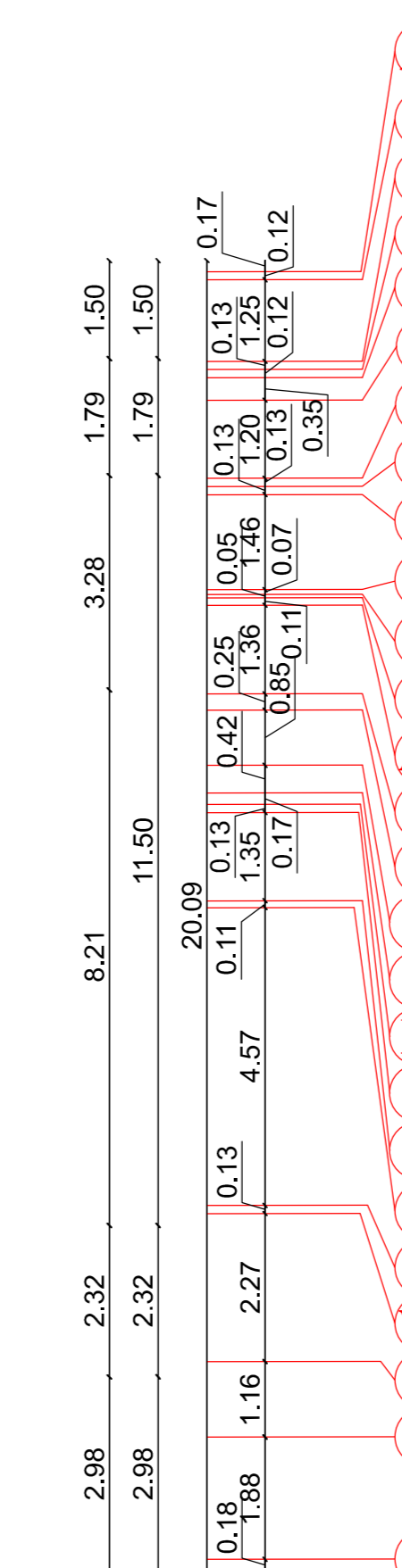
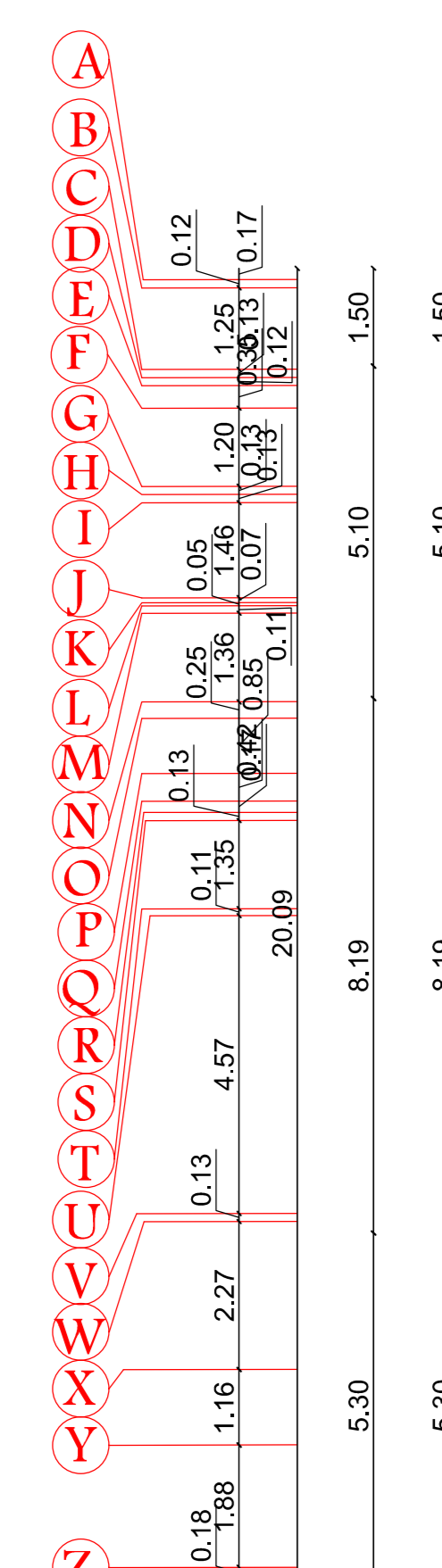
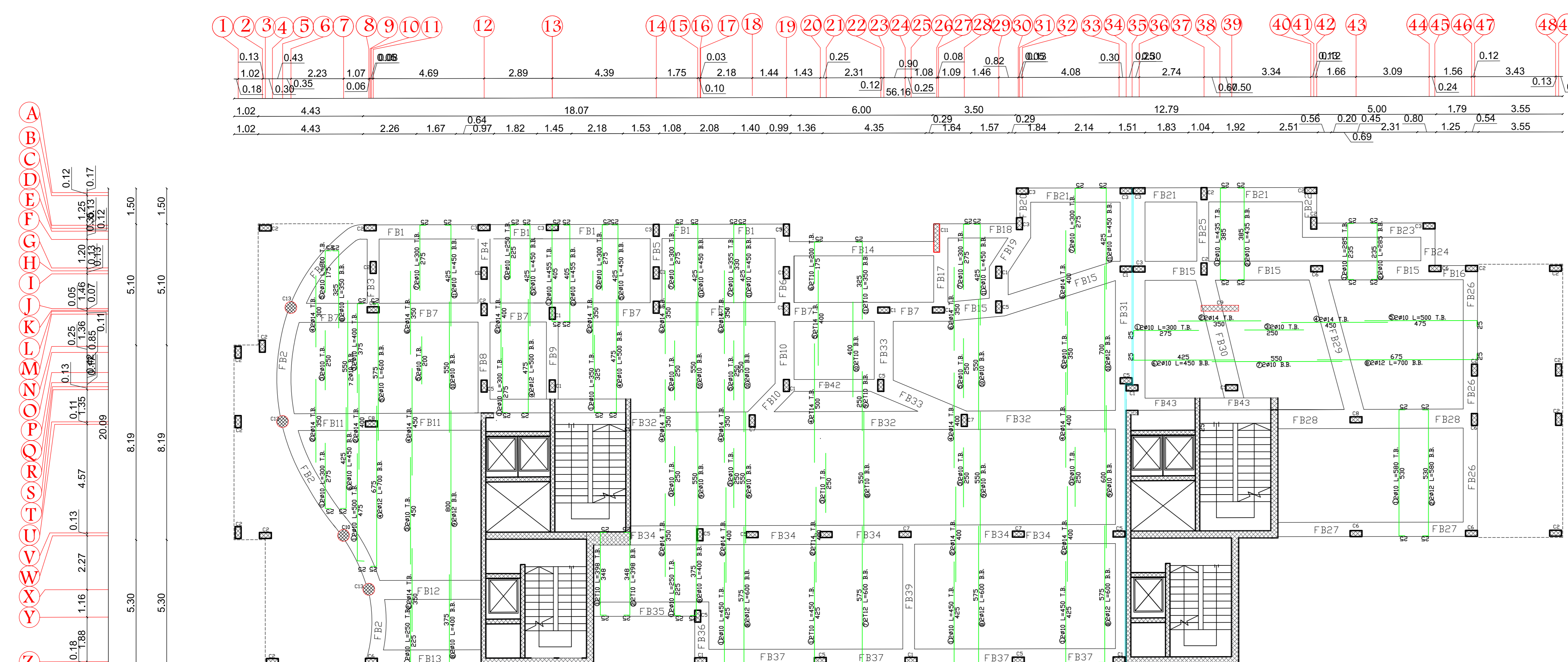
Drawing No.:

S 24

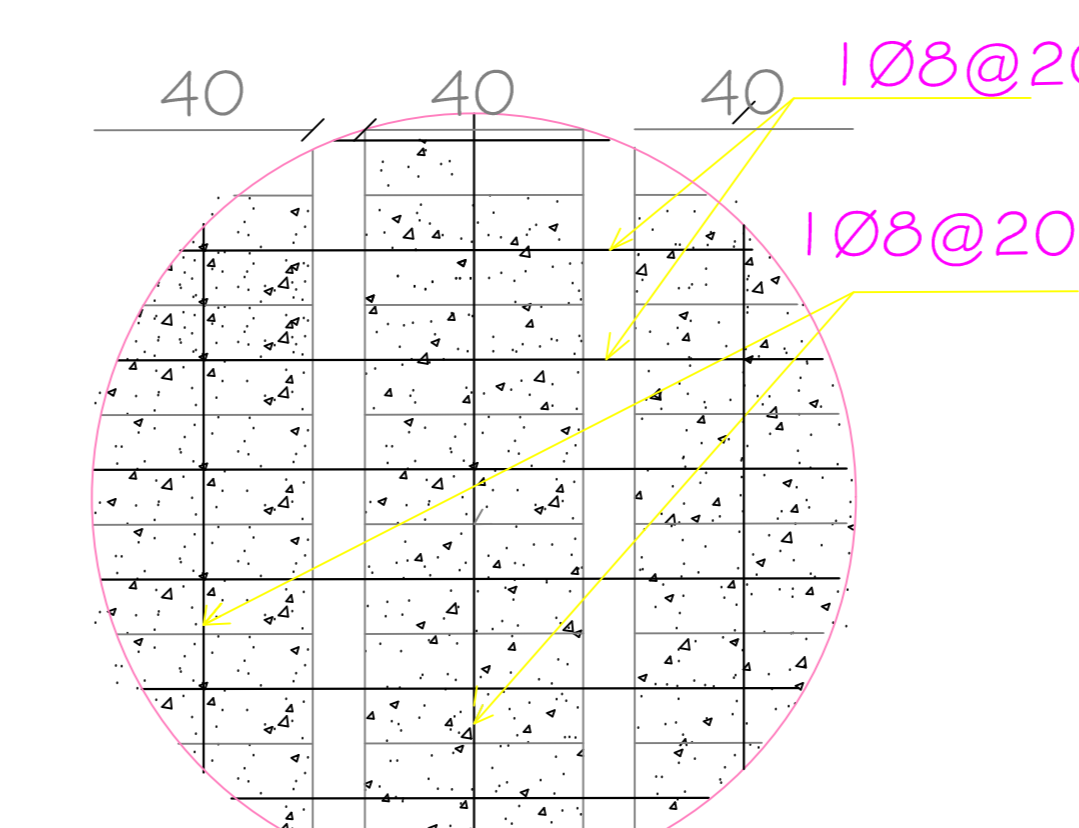
Date: 2/6/2021

View scale 1/100

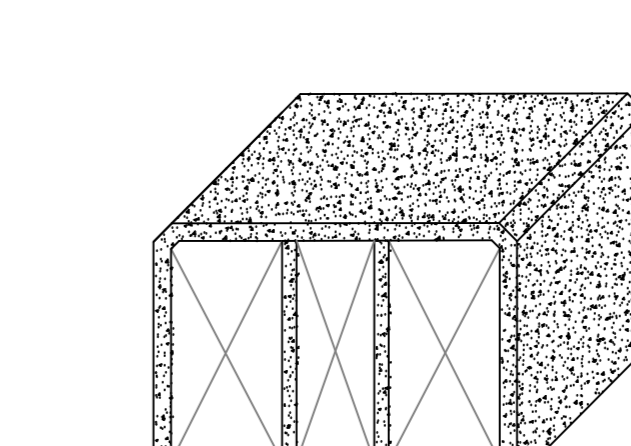
Cover 2 cm



RIBBED SLAB

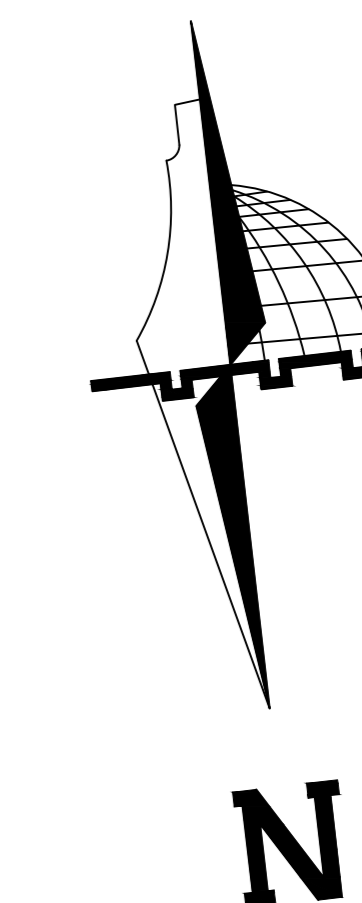
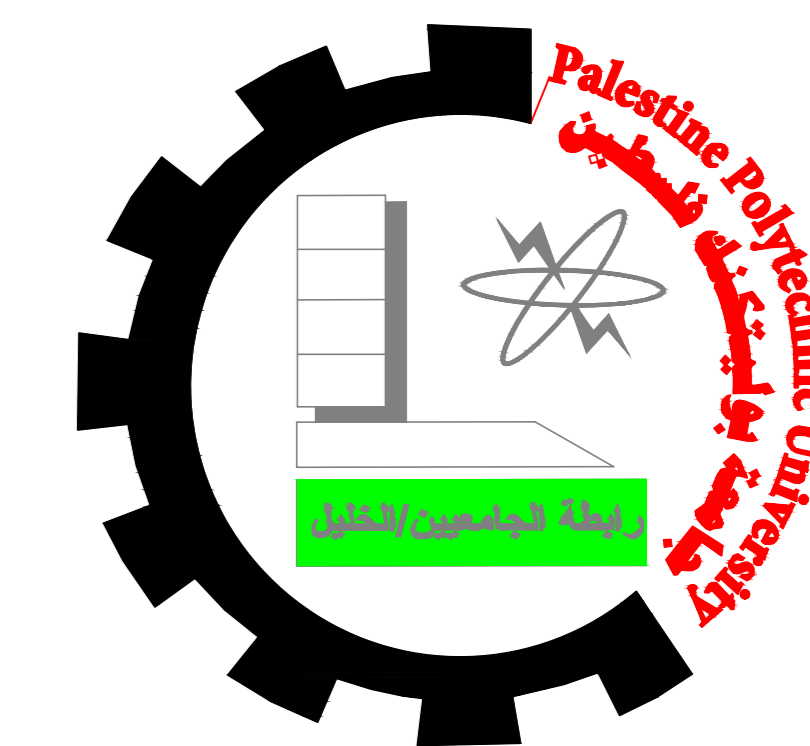


Detail A



Blocks(40x20x27)

Detail A



NOTES:

All Dimensions are in meters unless otherwise shown.
All spot levels are in meters.

Palestine Polytechnic University
Civil. & Arch. Eng. Department
Building Engineering

Project:
Residential Commercial Building

Designed By:
Feras Abo-Aljaysh
Noor Beiwat
Anas Jobran

Supervisor:
Eng. Mai Haddad

Drawing Title:
Second Floor plan
Details

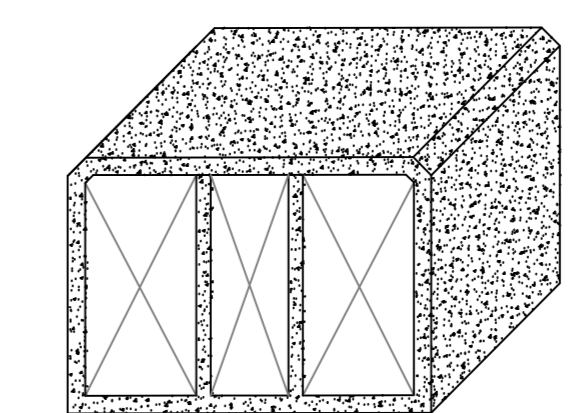
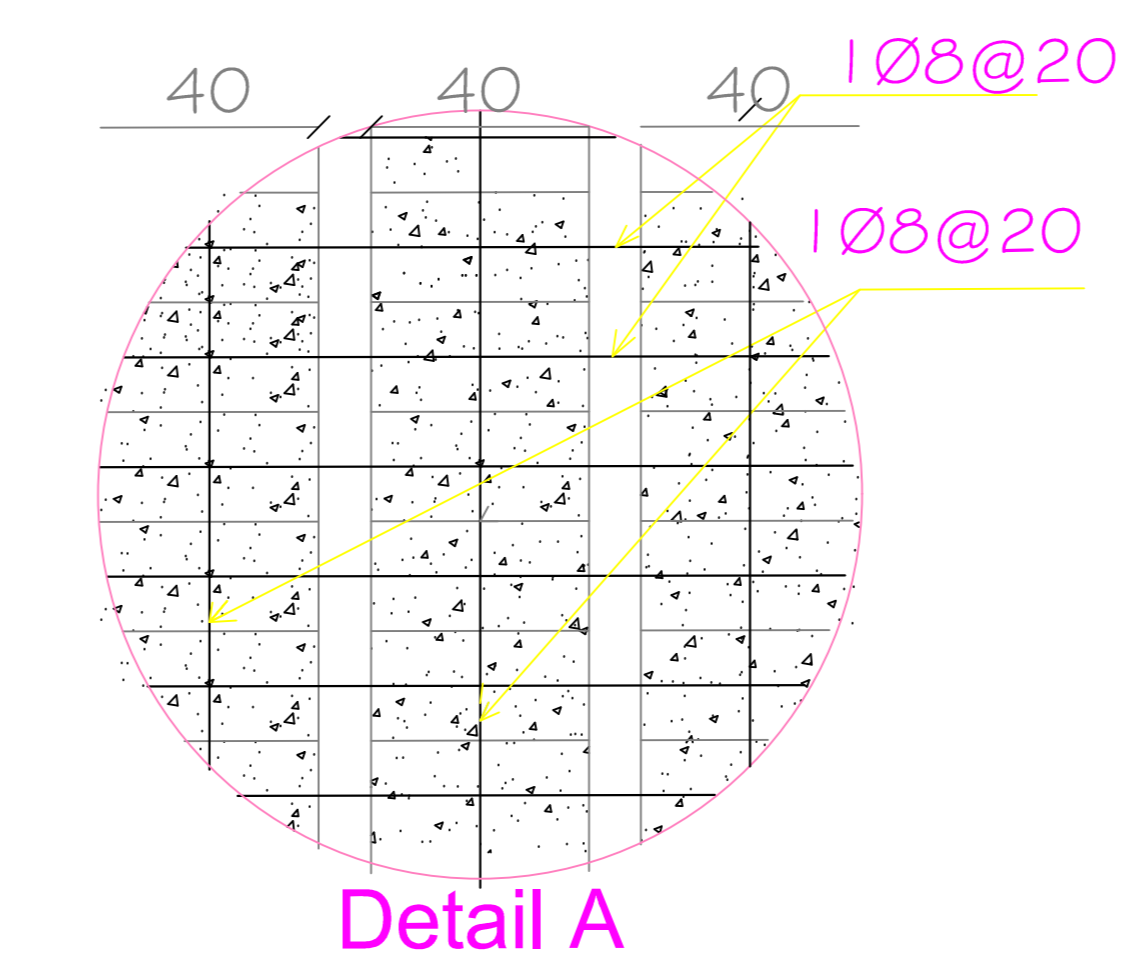
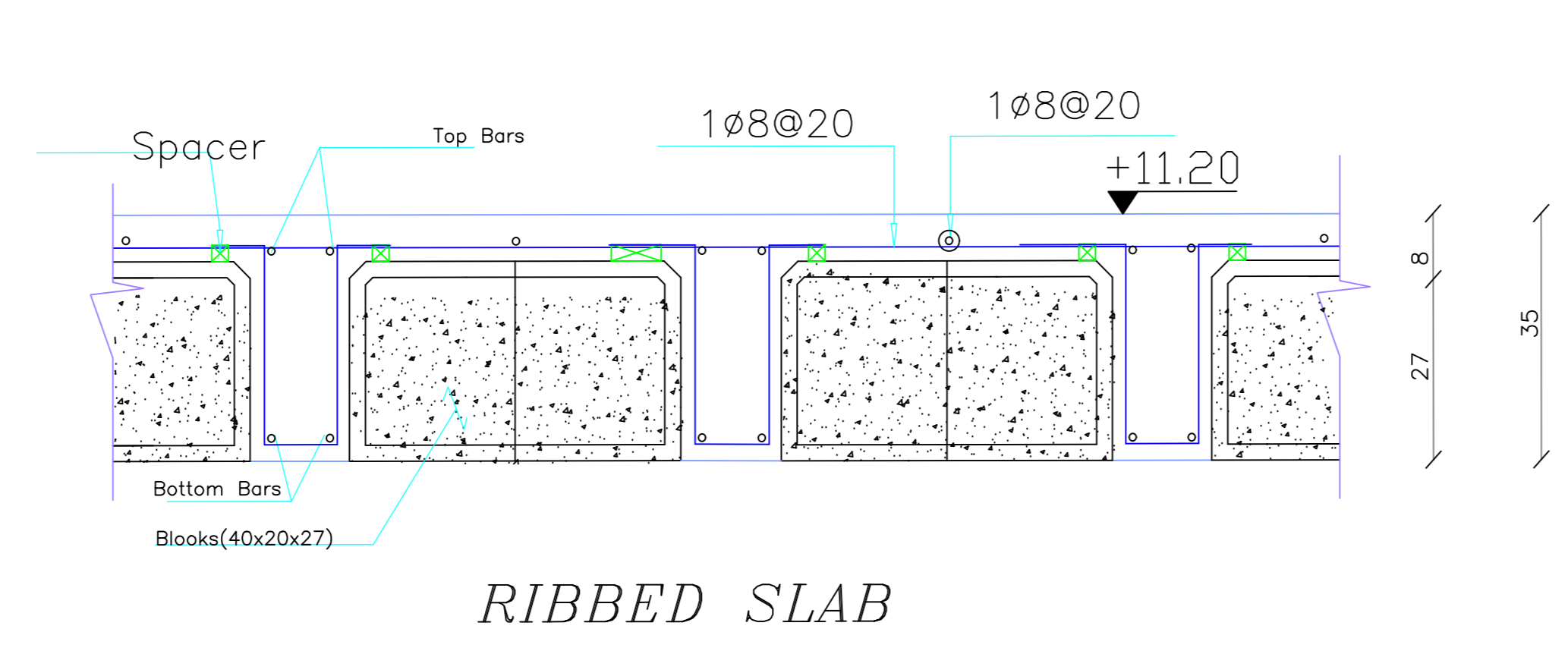
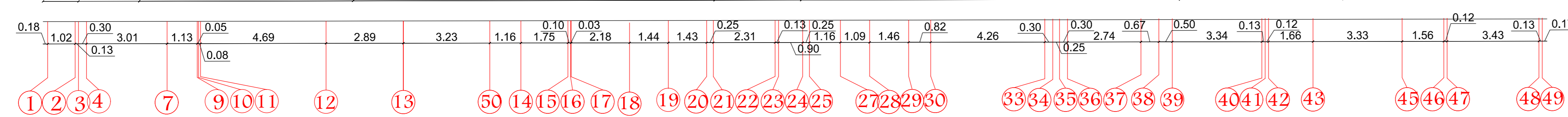
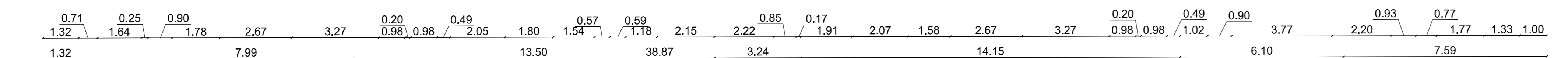
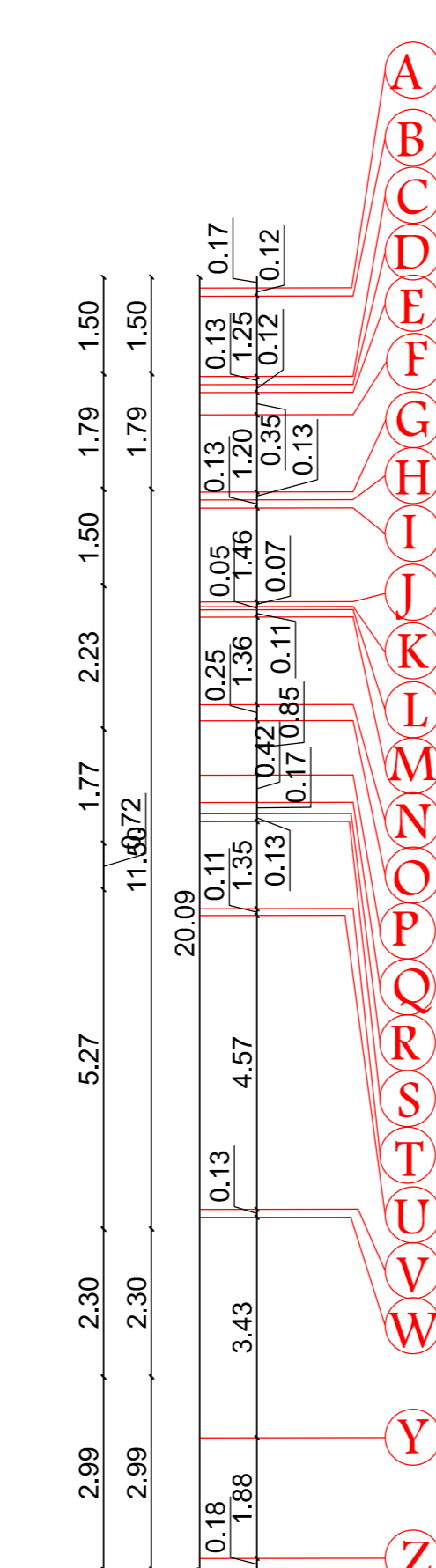
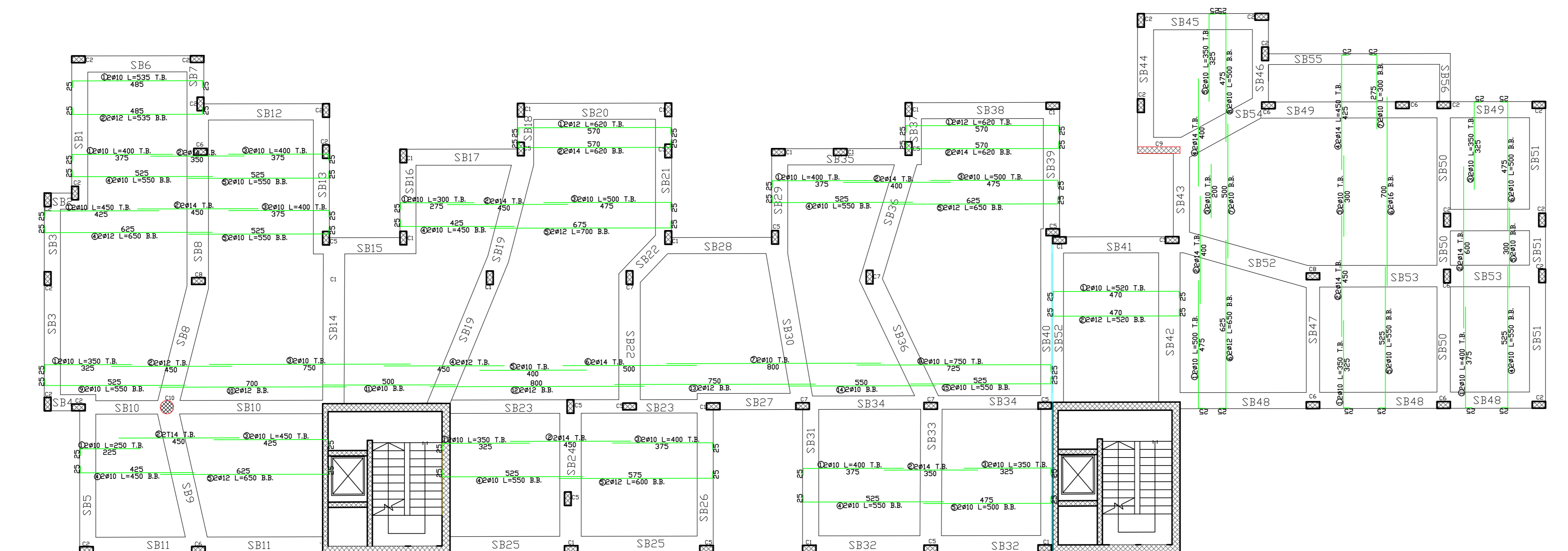
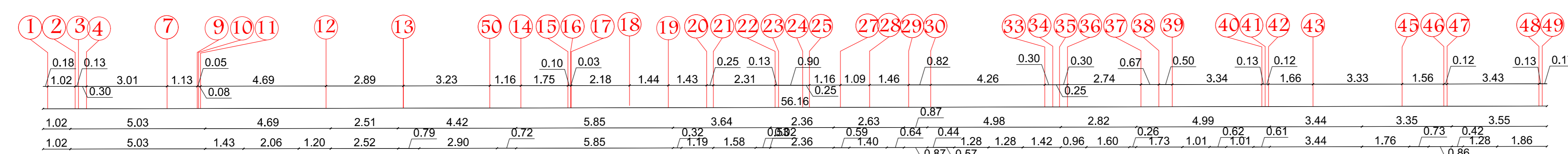
Drawing No.:

S 25

Date: 2/6/2021

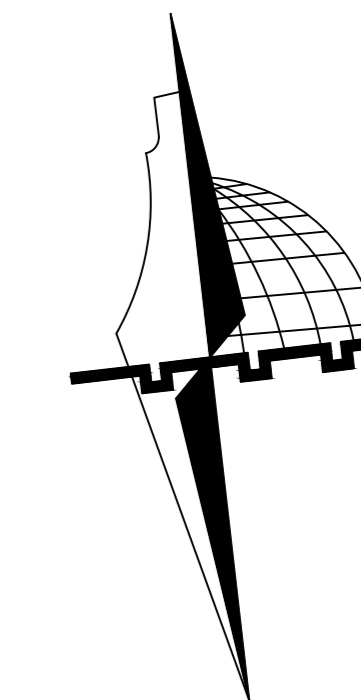
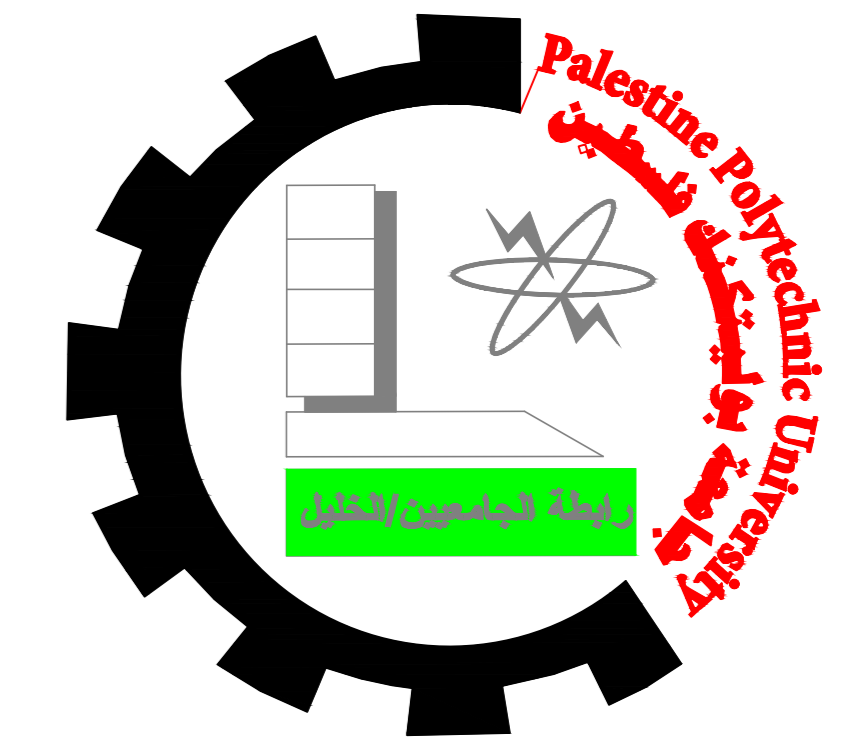
View scale 1/100

Cover 2 cm



Blocks(40x20x27)

Detail A



N

NOTES:

All Dimensions are in meters unless otherwise shown.

All spot levels are in meters.

Palestine Polytechnic University
Civil. & Arch. Eng. Department

Building Engineering

Project :

Residential Commercial Building

Designed By :

Feras Abo-Aljaysh
Noor Beiwat
Anas Jobran

Supervisor :

Eng.Mai Haddad

Drawing Title :

Roof Floor plan
Details

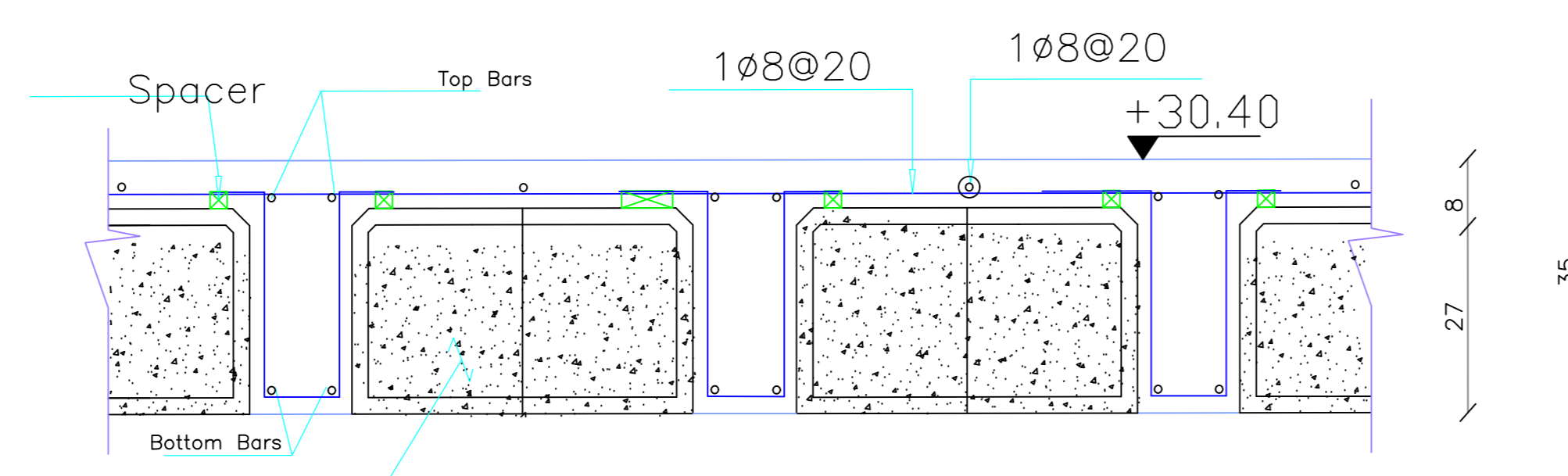
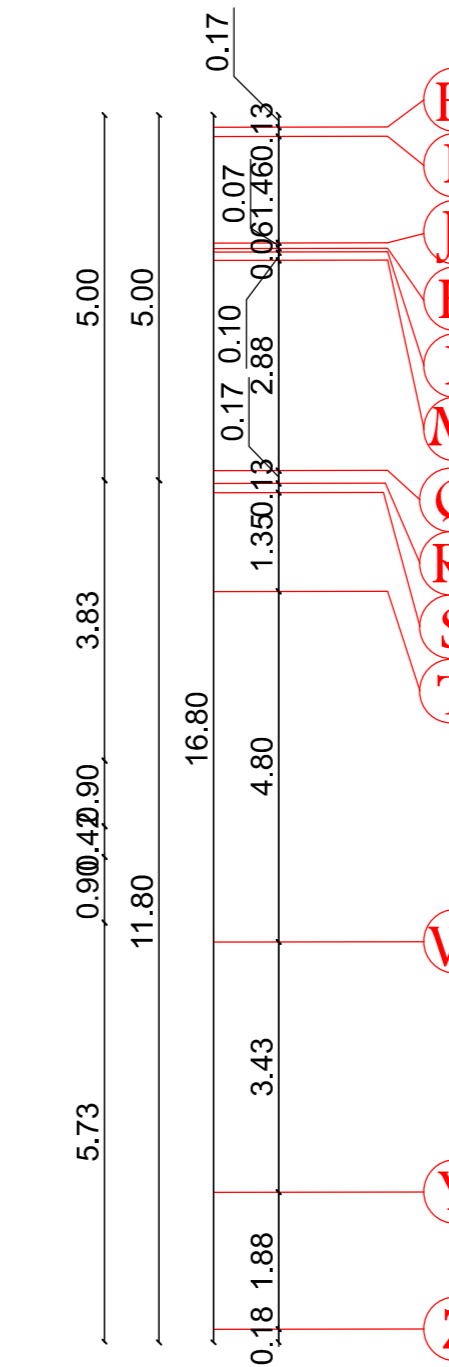
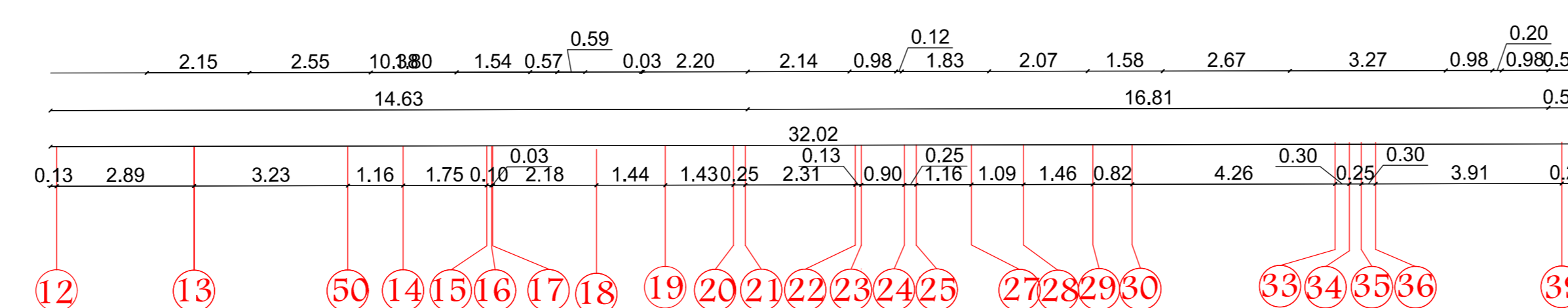
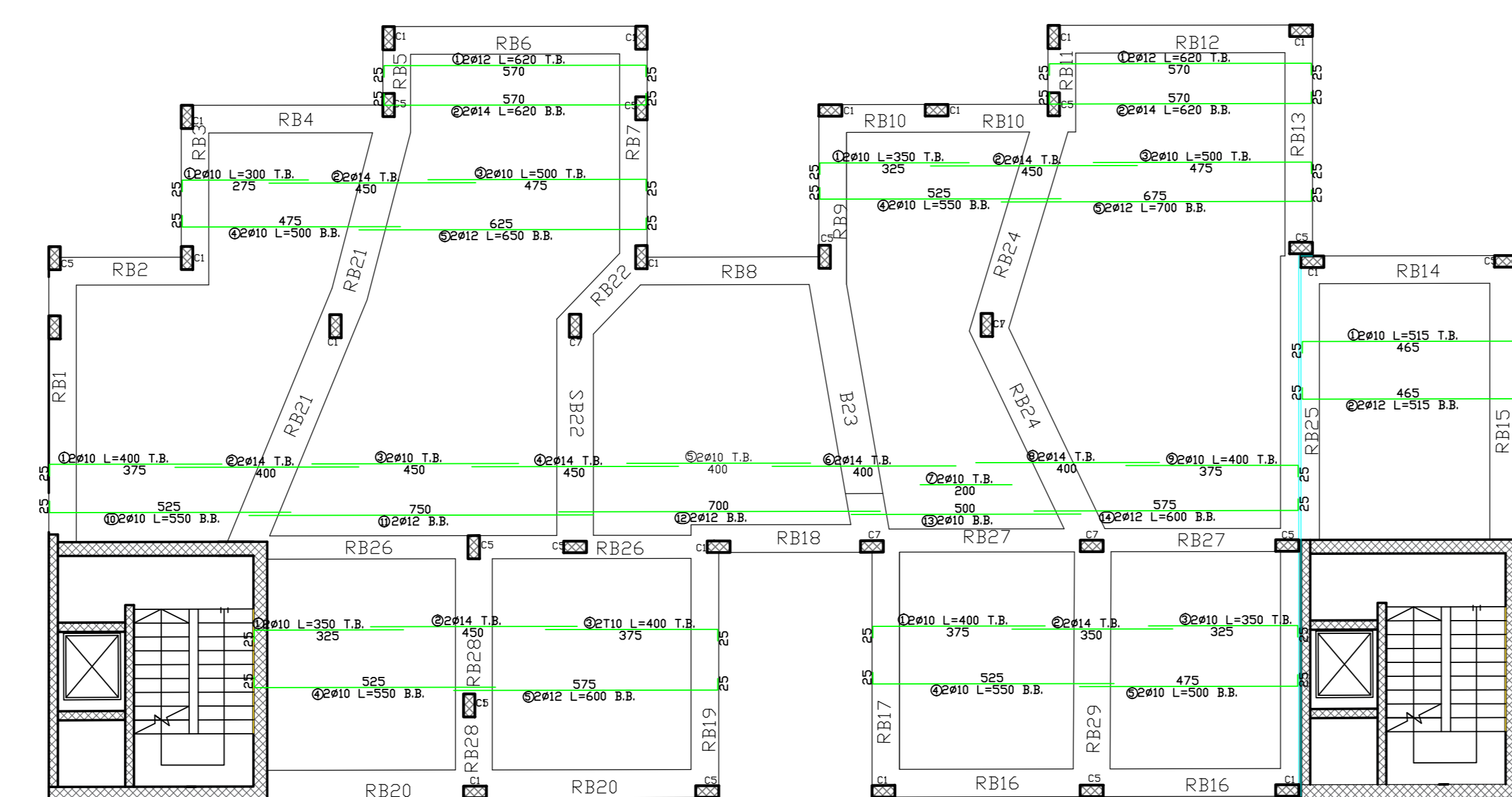
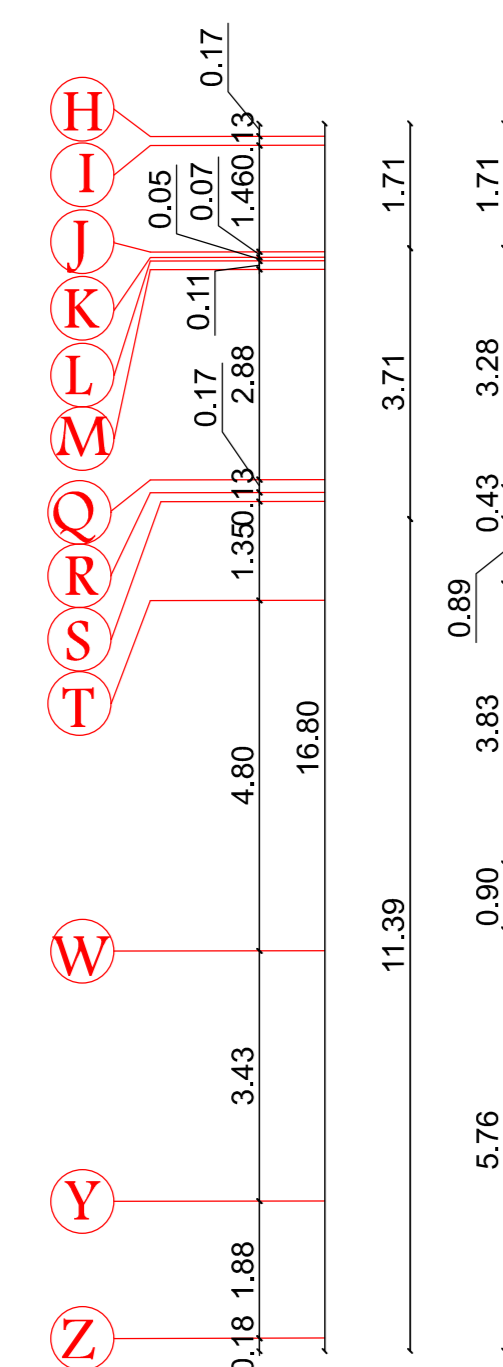
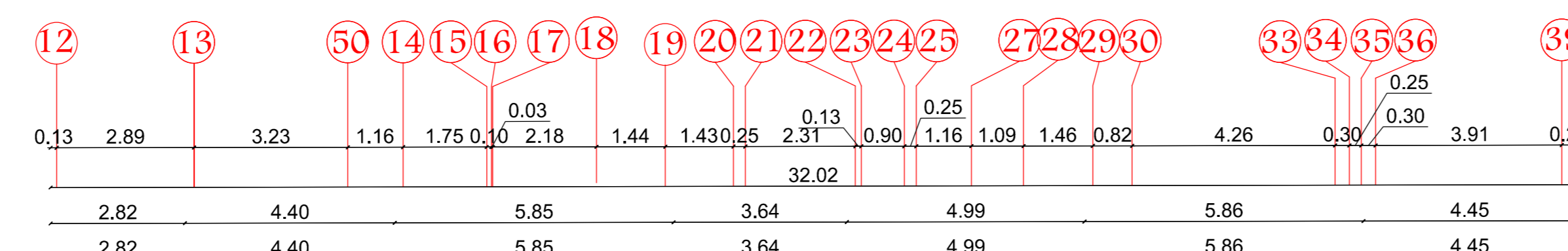
Drawing No :

S 26

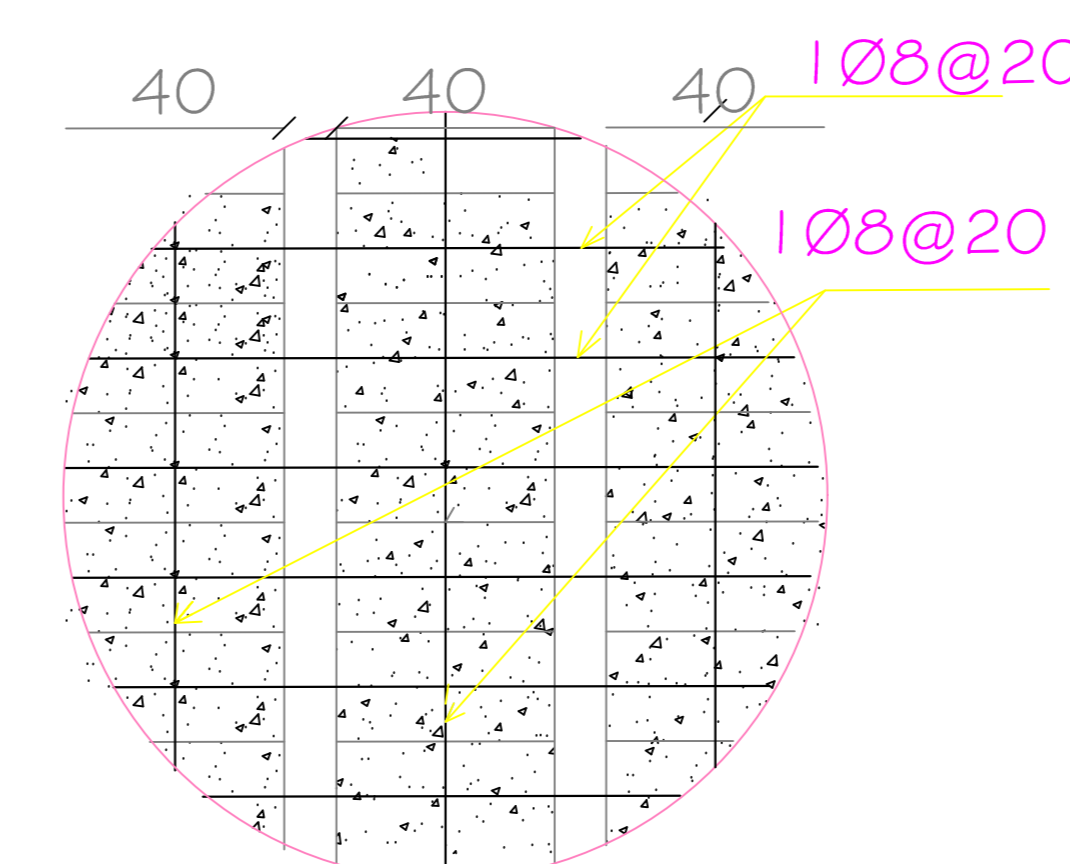
Date : 2/6/2021

View scale 1/100

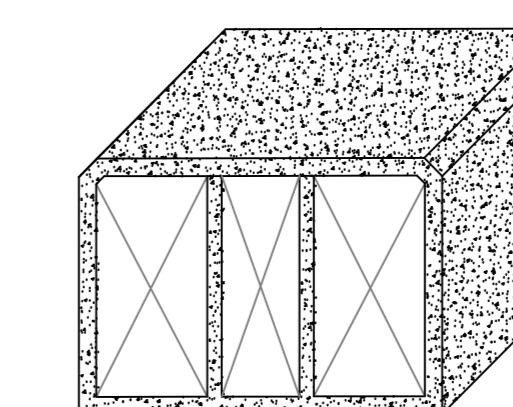
Cover 2 cm



RIBBED SLAB

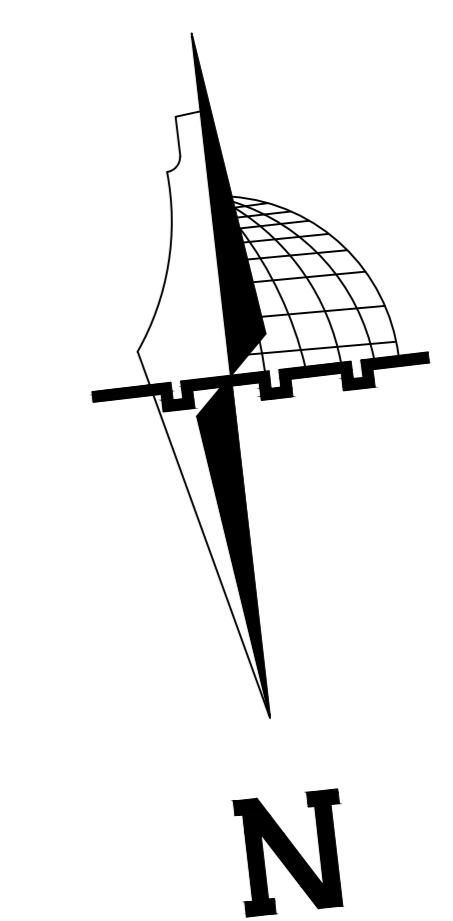
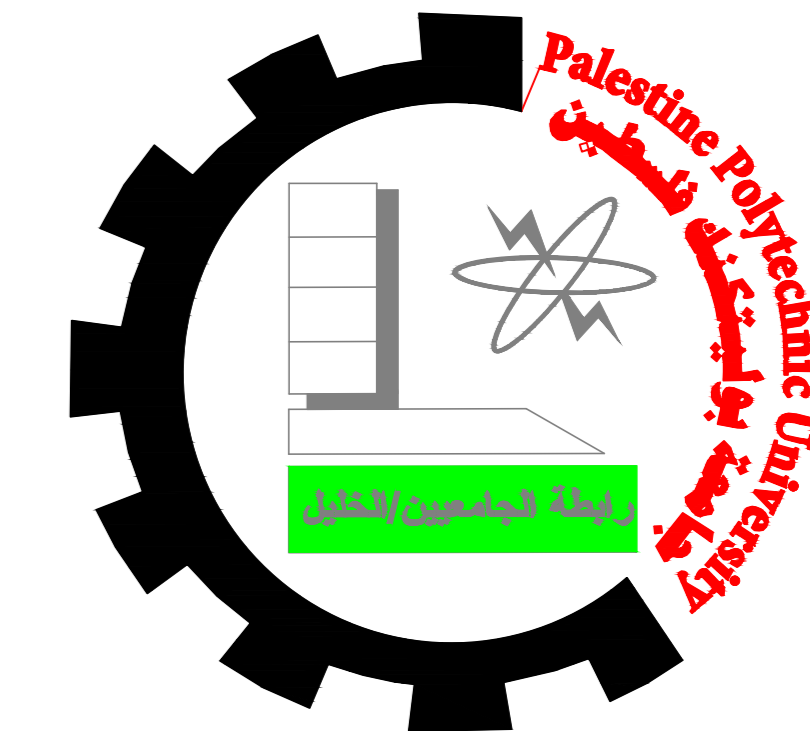


Detail A



Blocks(40x20x27)

Detail A



NOTES:

All Dimensions are in meters unless otherwise shown.
All spot levels are in meters.

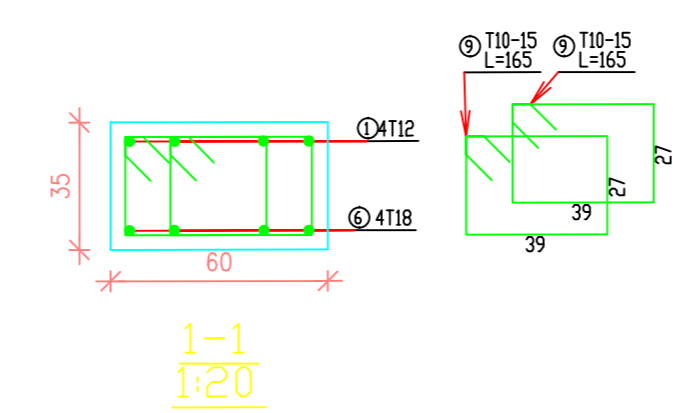
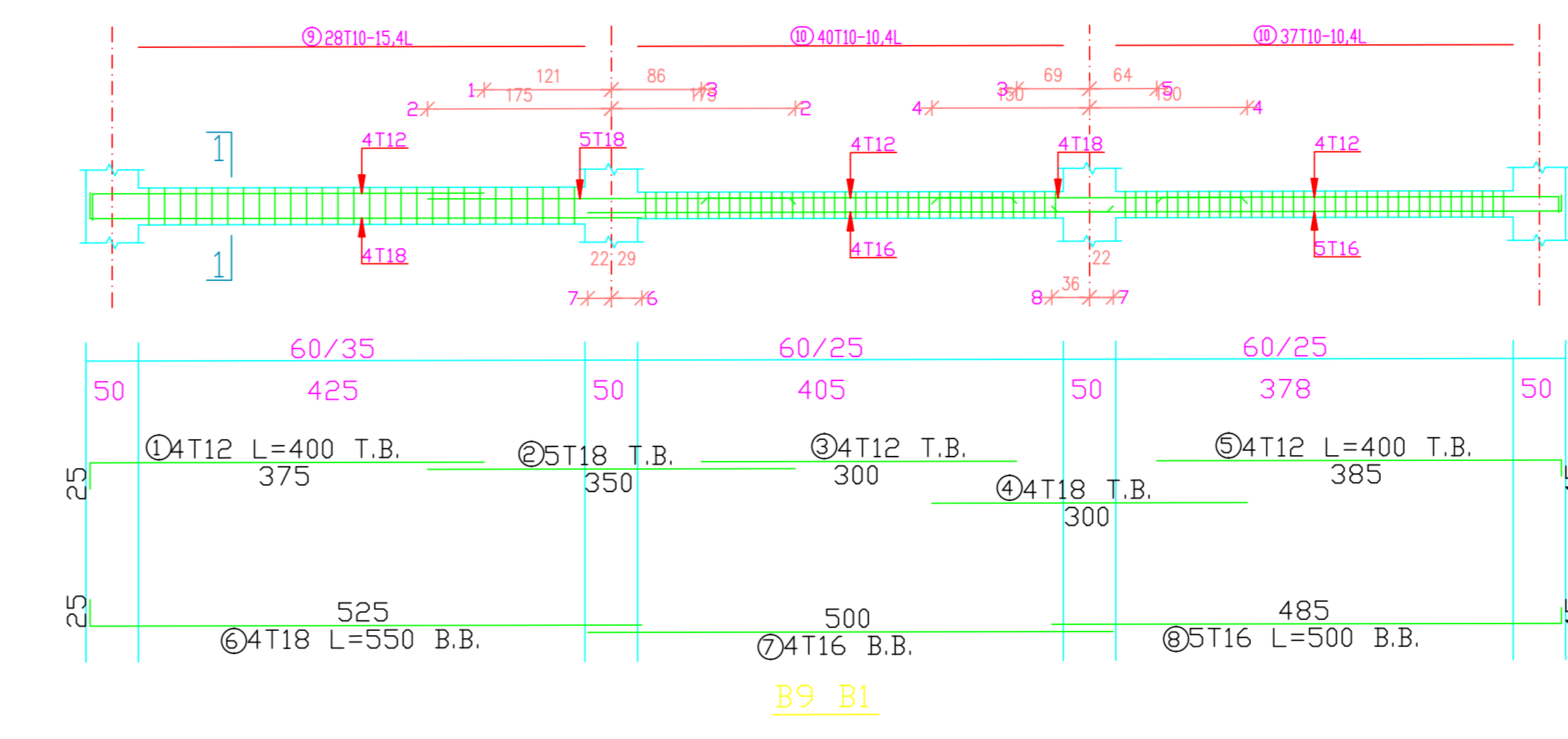
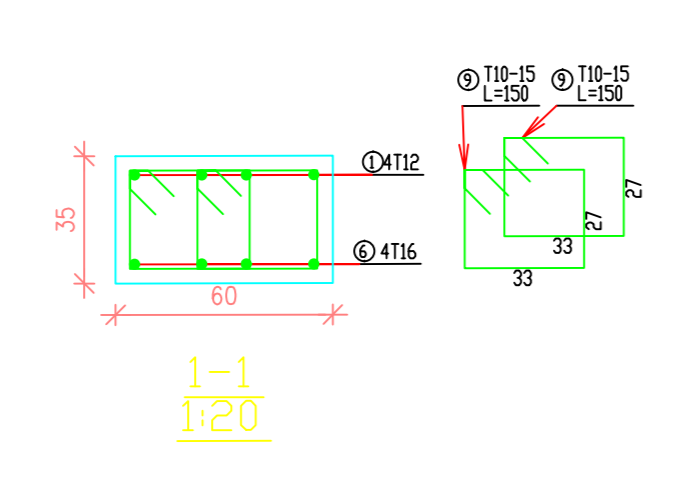
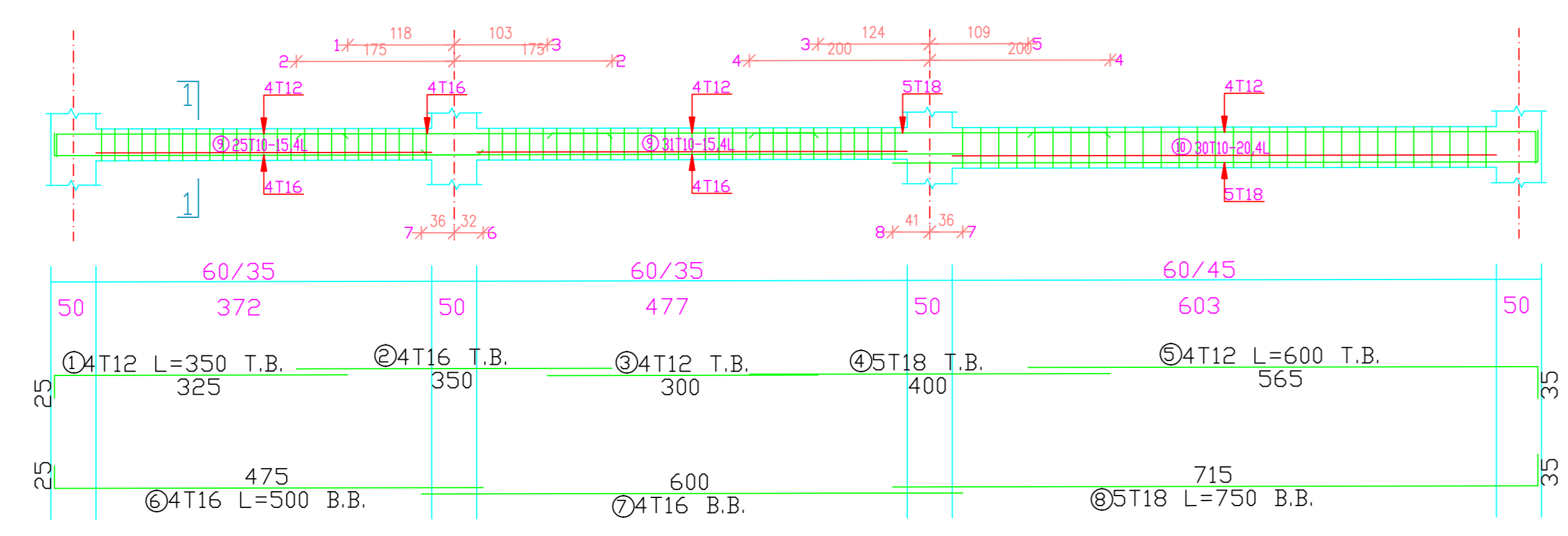
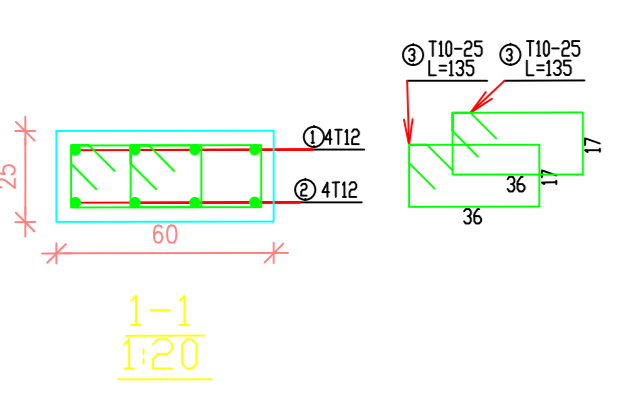
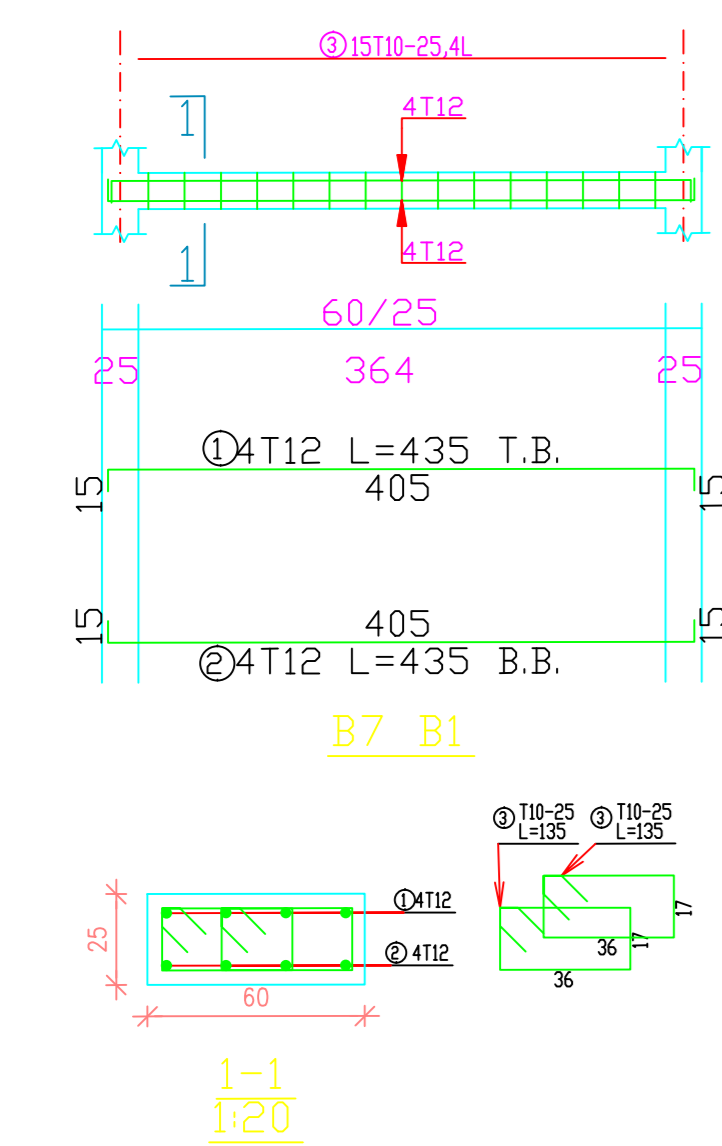
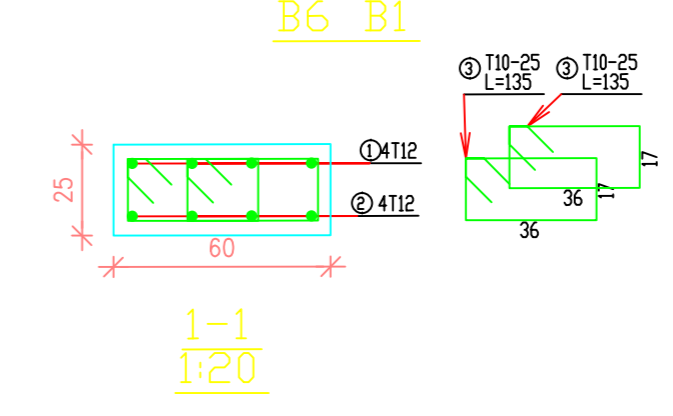
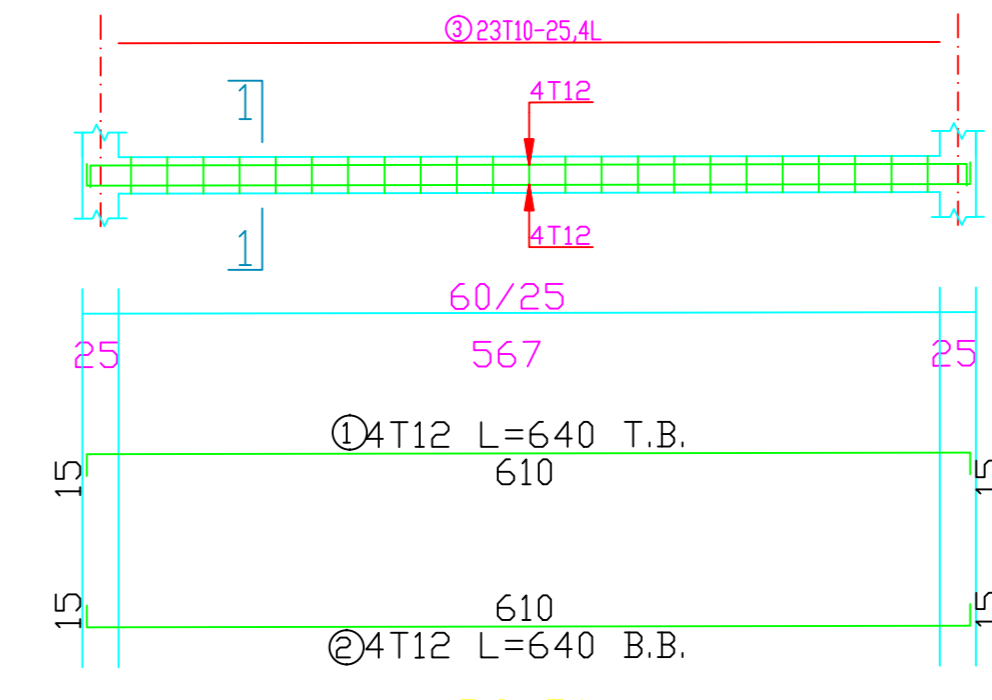
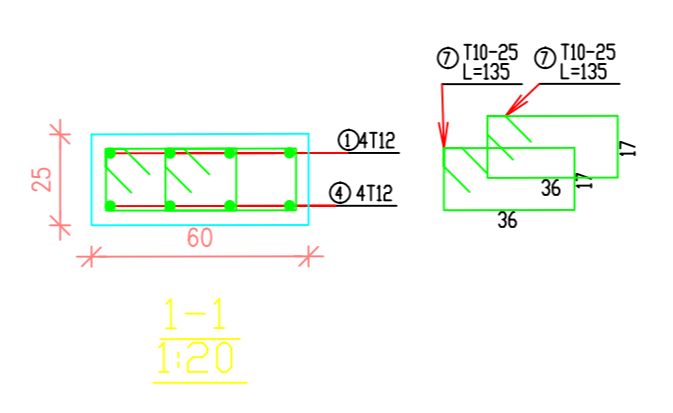
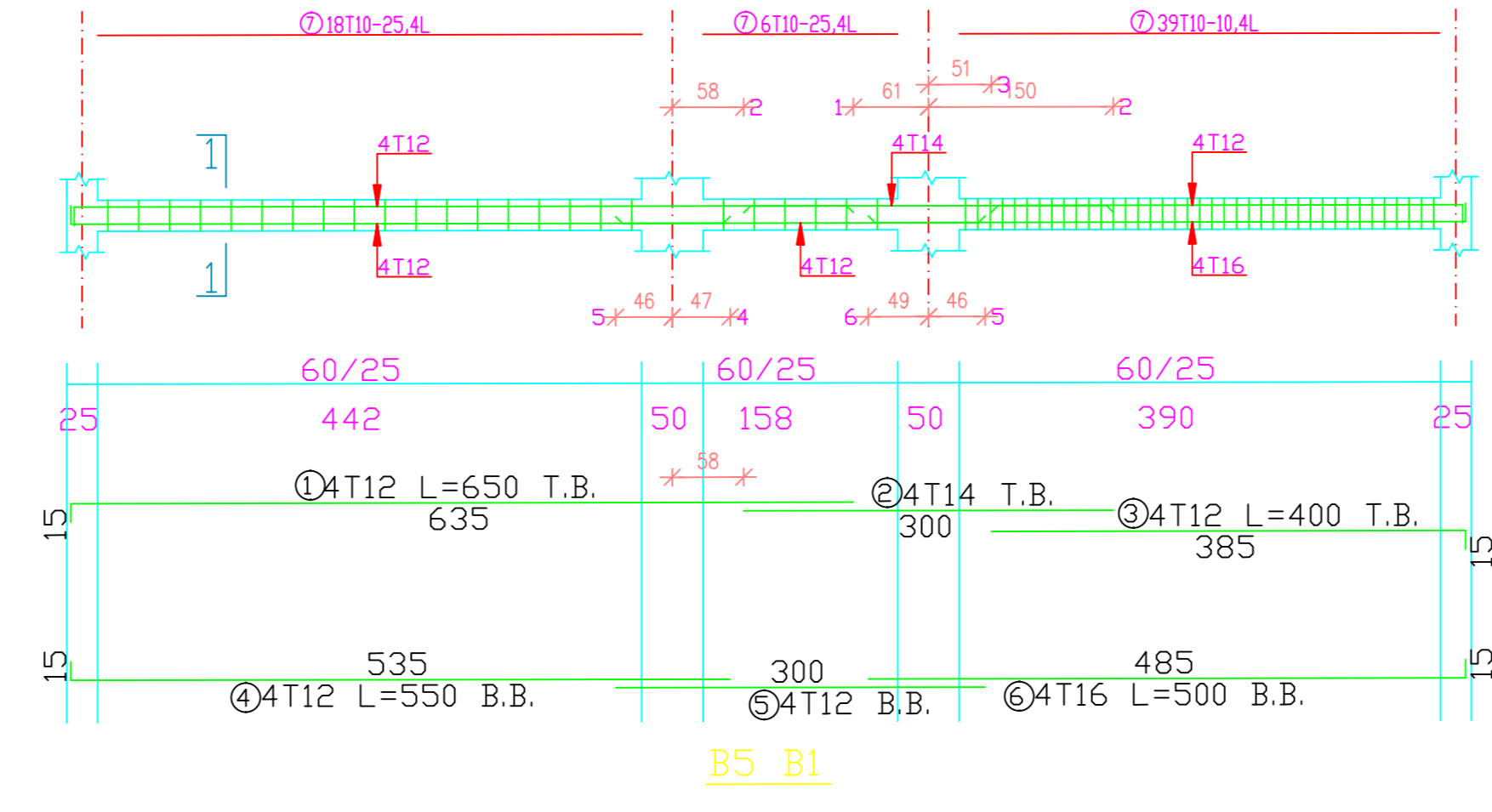
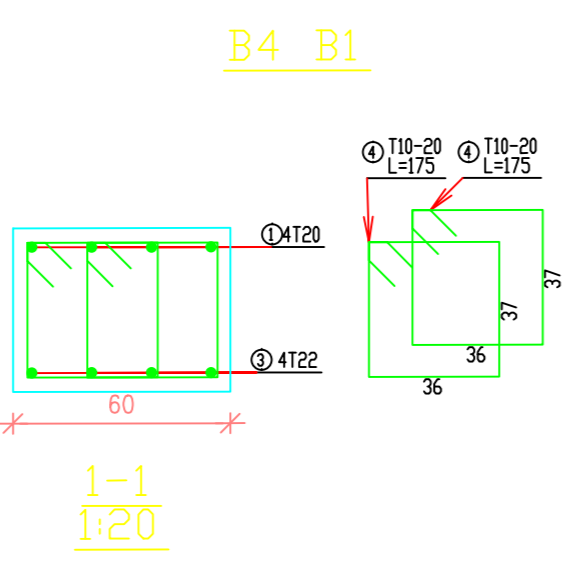
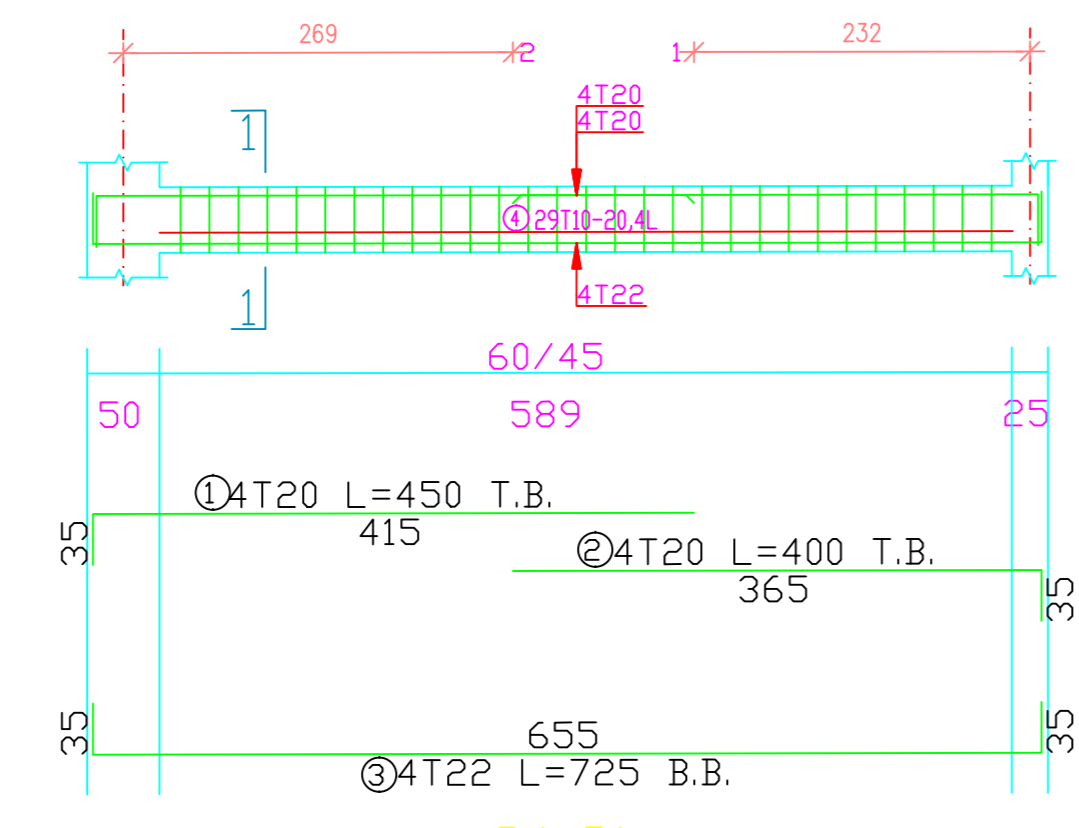
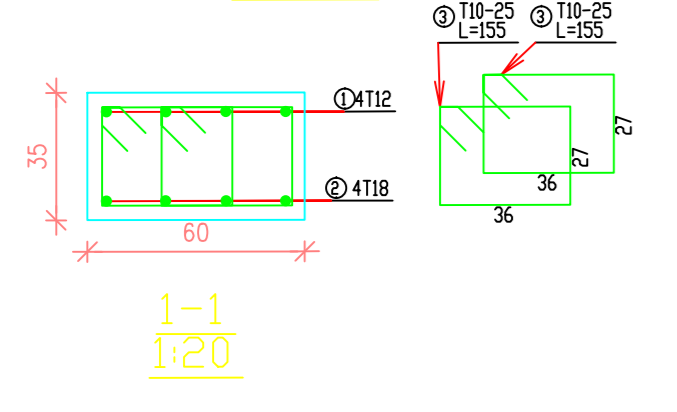
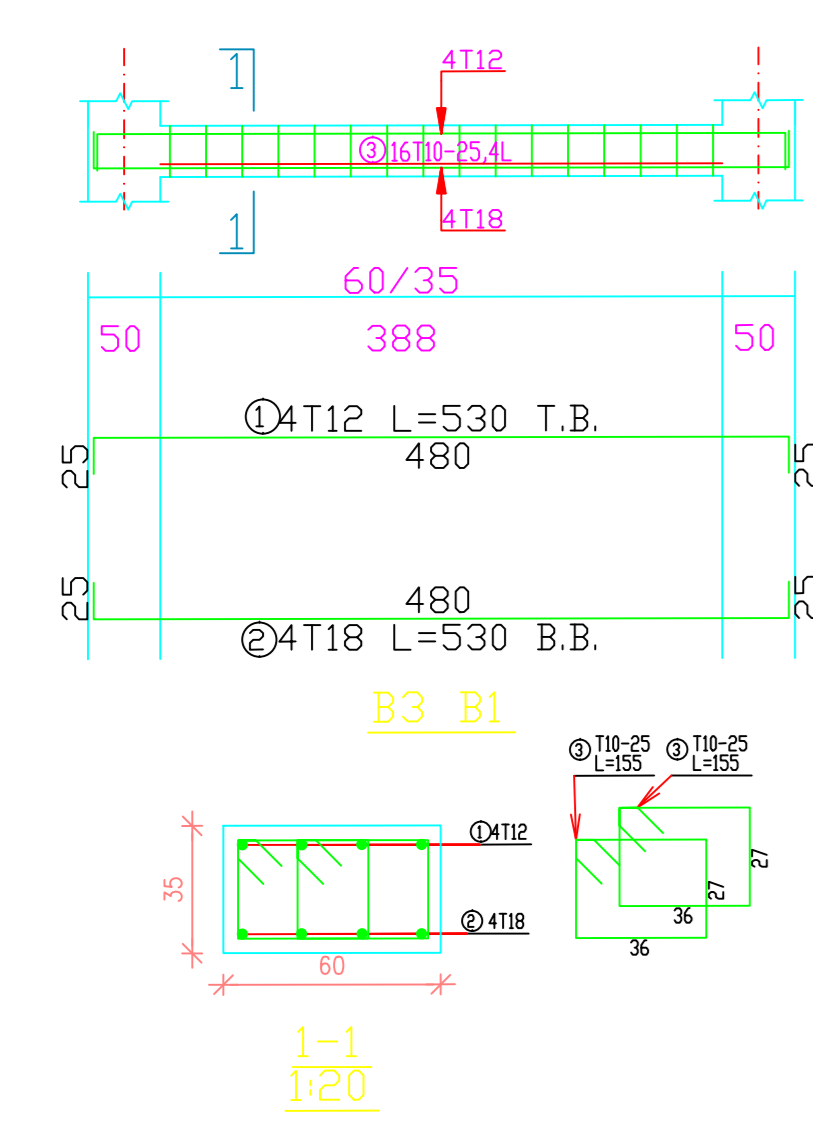
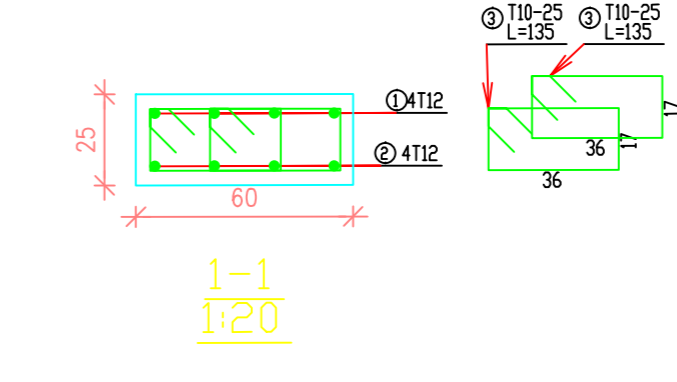
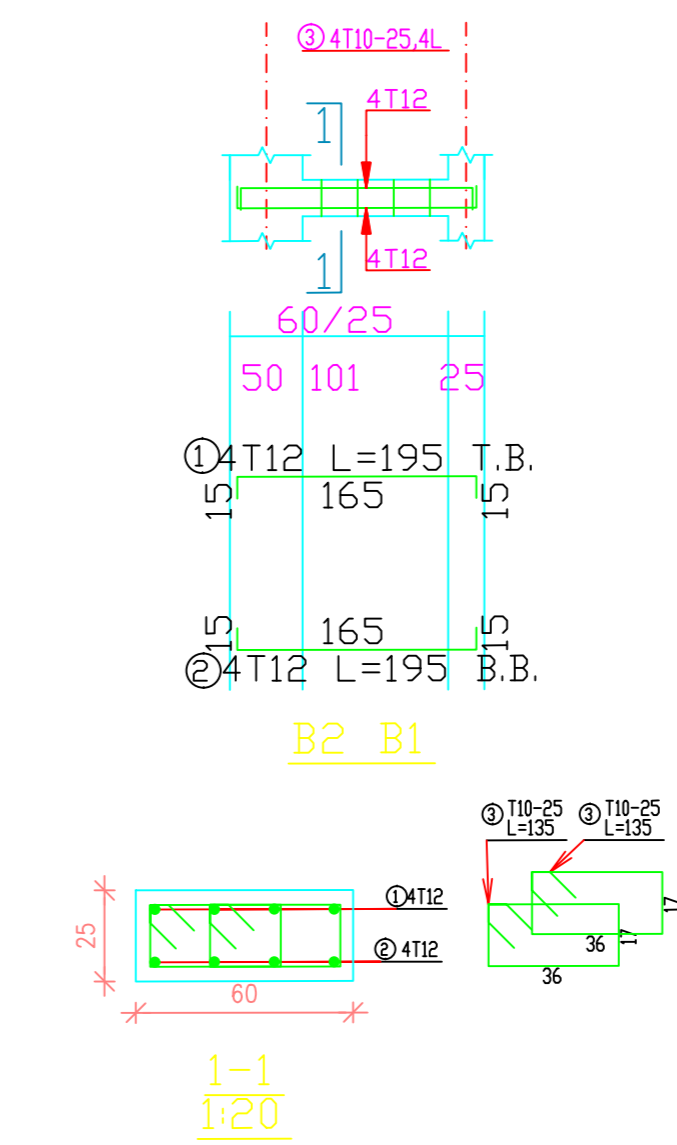
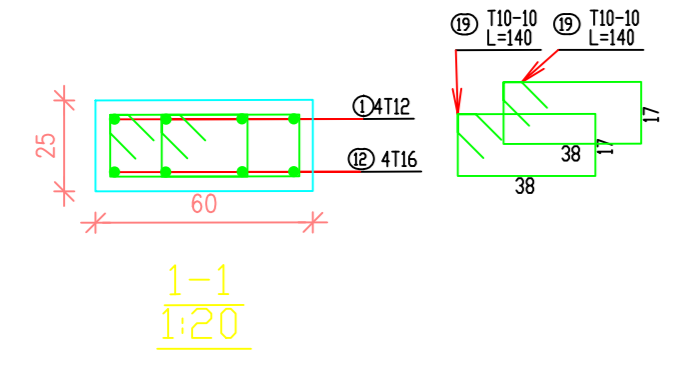
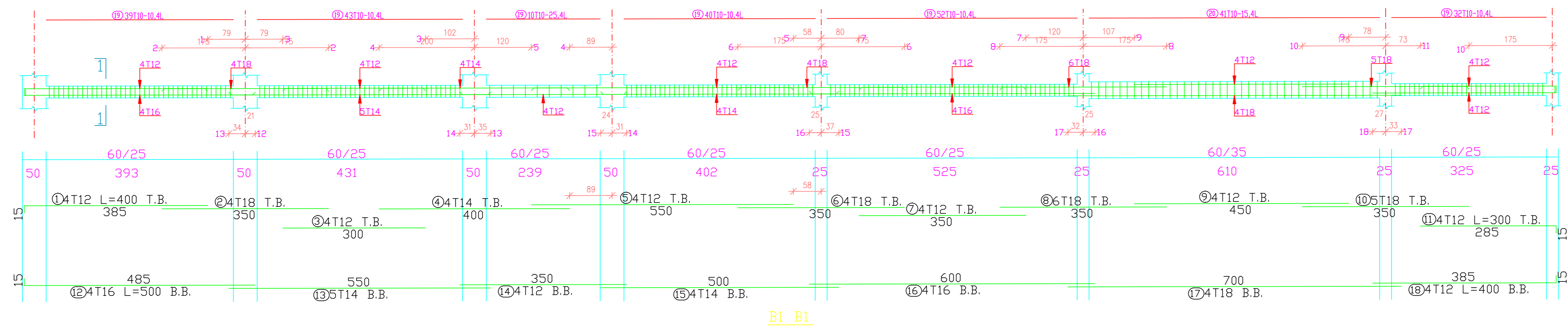
Palestine Polytechnic University
Civil. & Arch. Eng. Department
Building Engineering
Project:
Residential Commercial Building
Designed By:
Feras Abo-Aljraysh
Noor Beiwat
Anas Jobran
Supervisor:
Eng.Mai Haddad

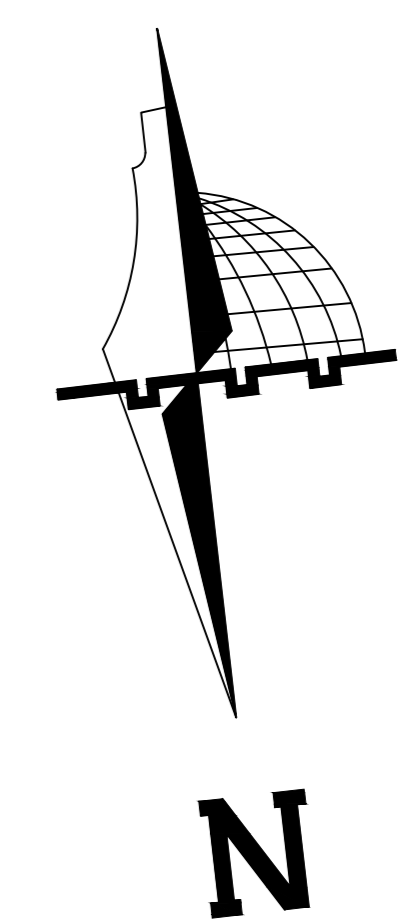
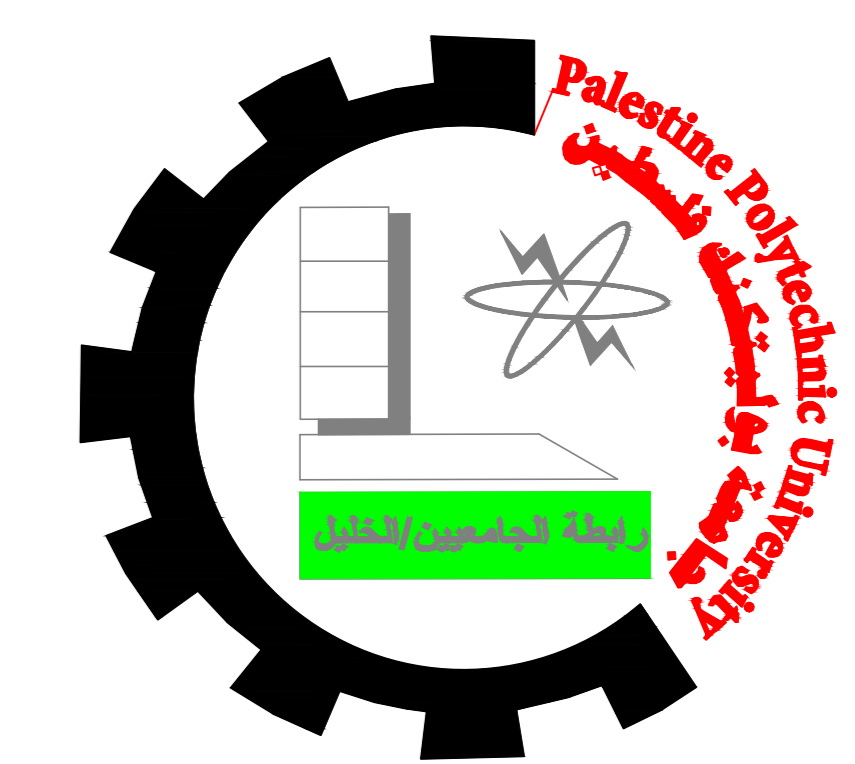
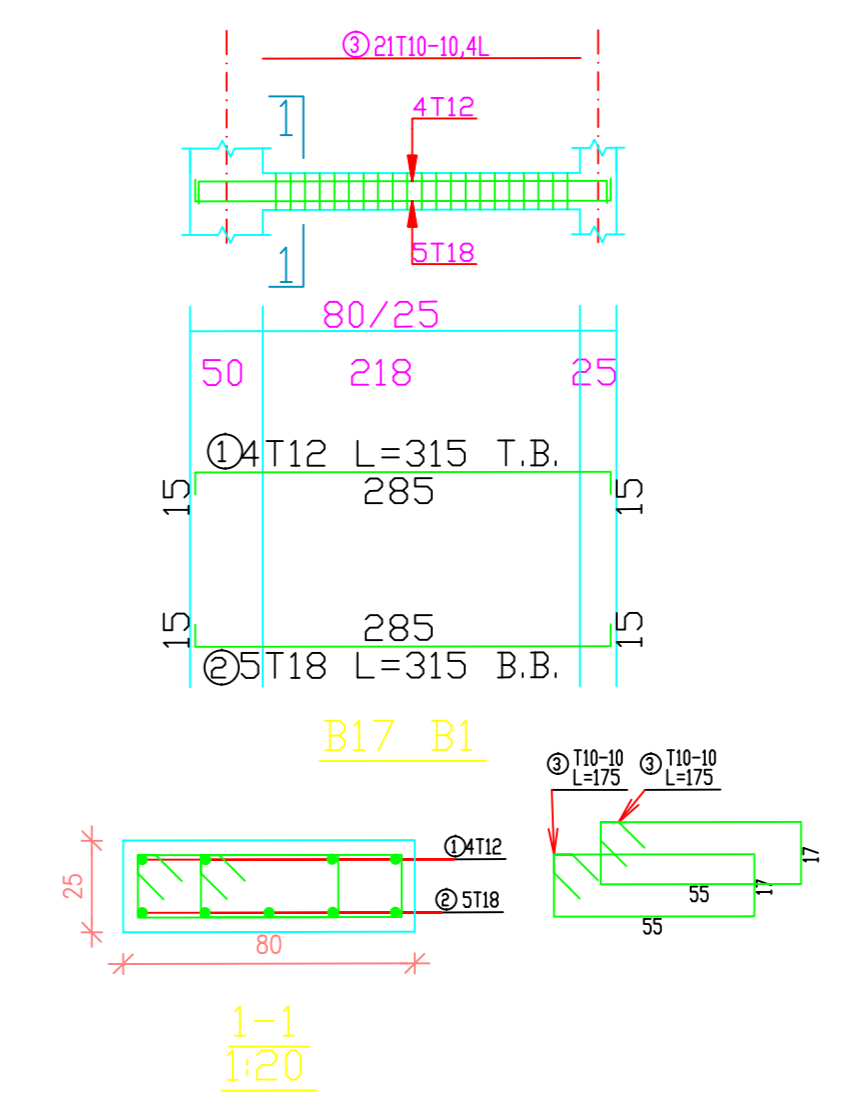
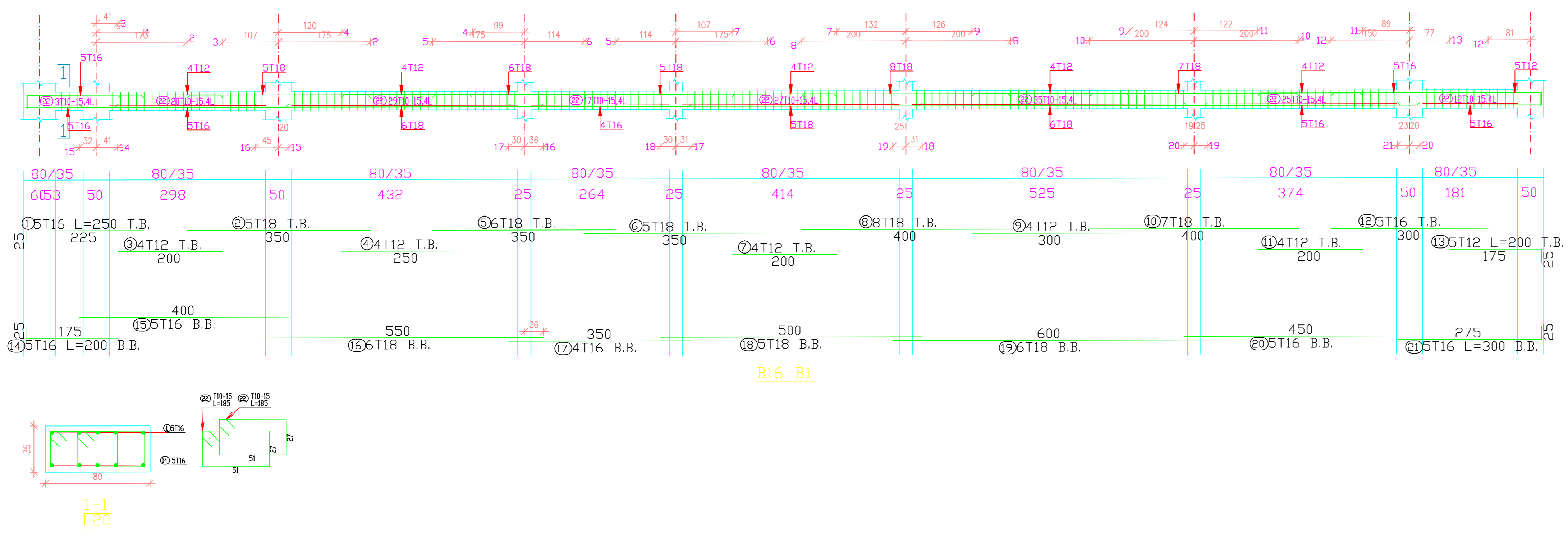
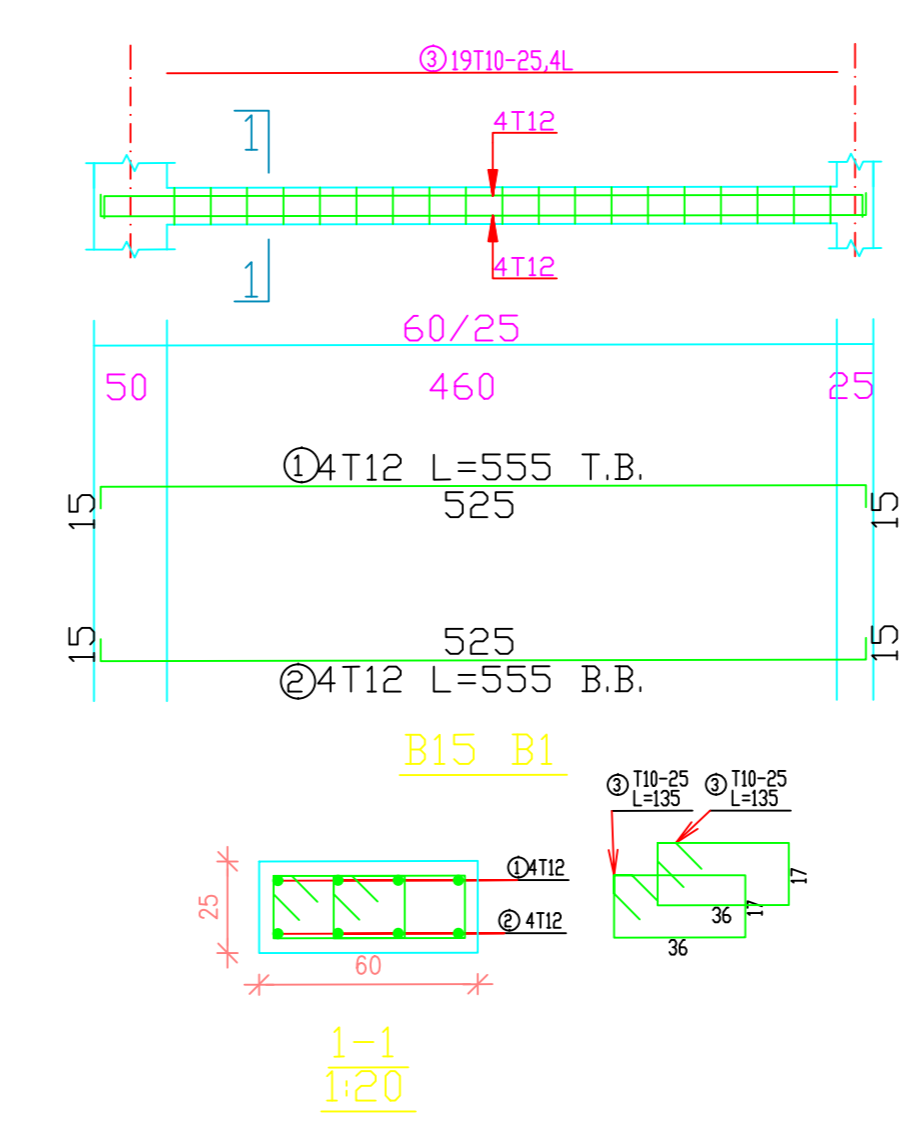
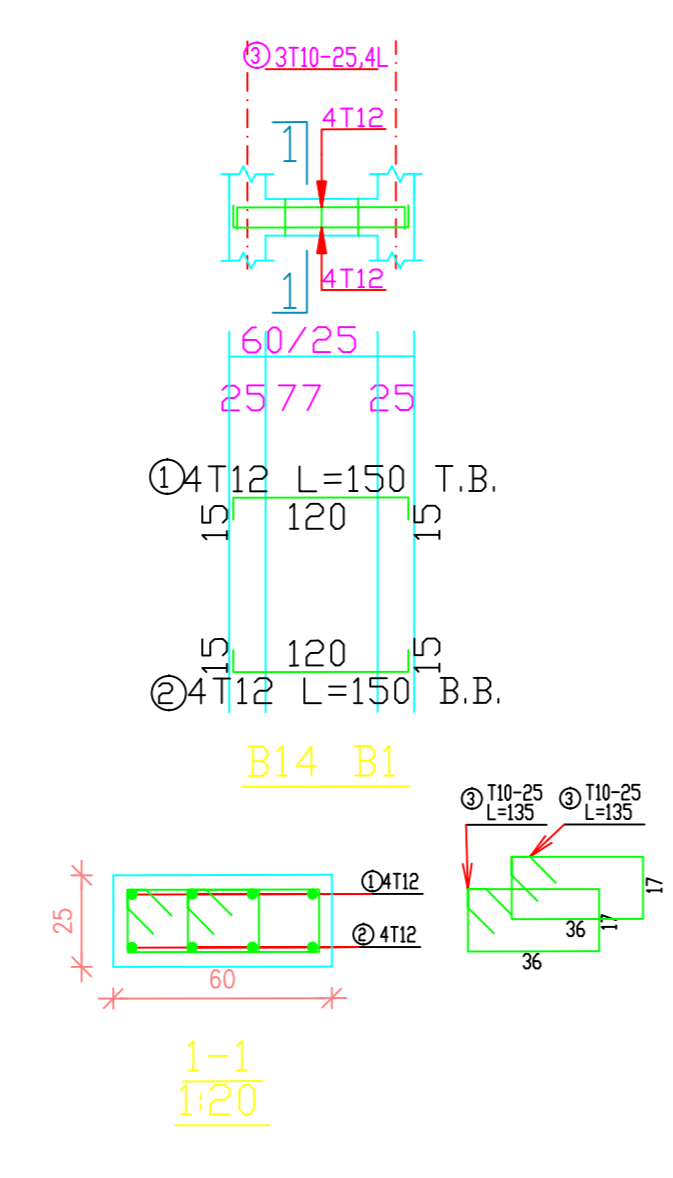
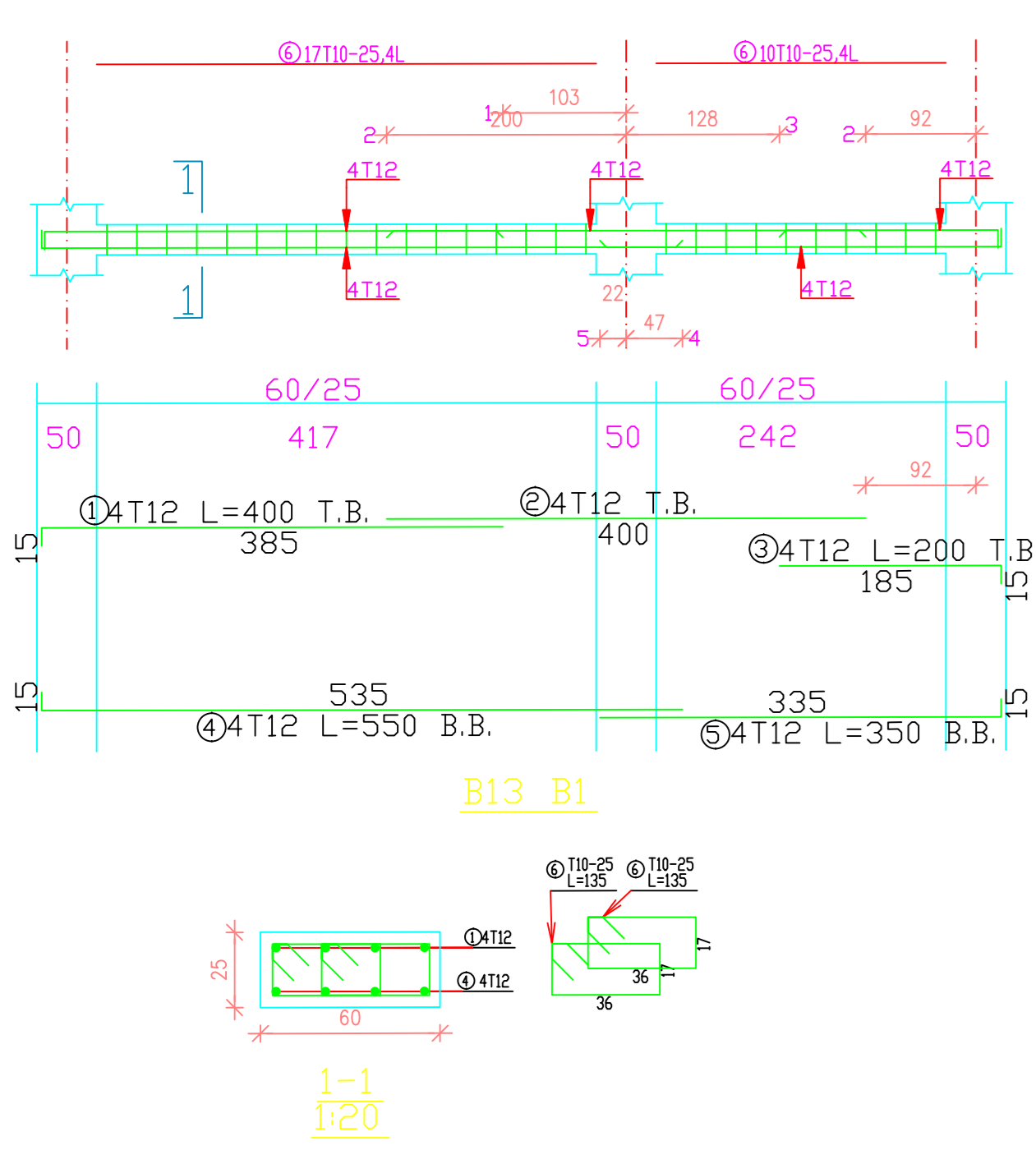
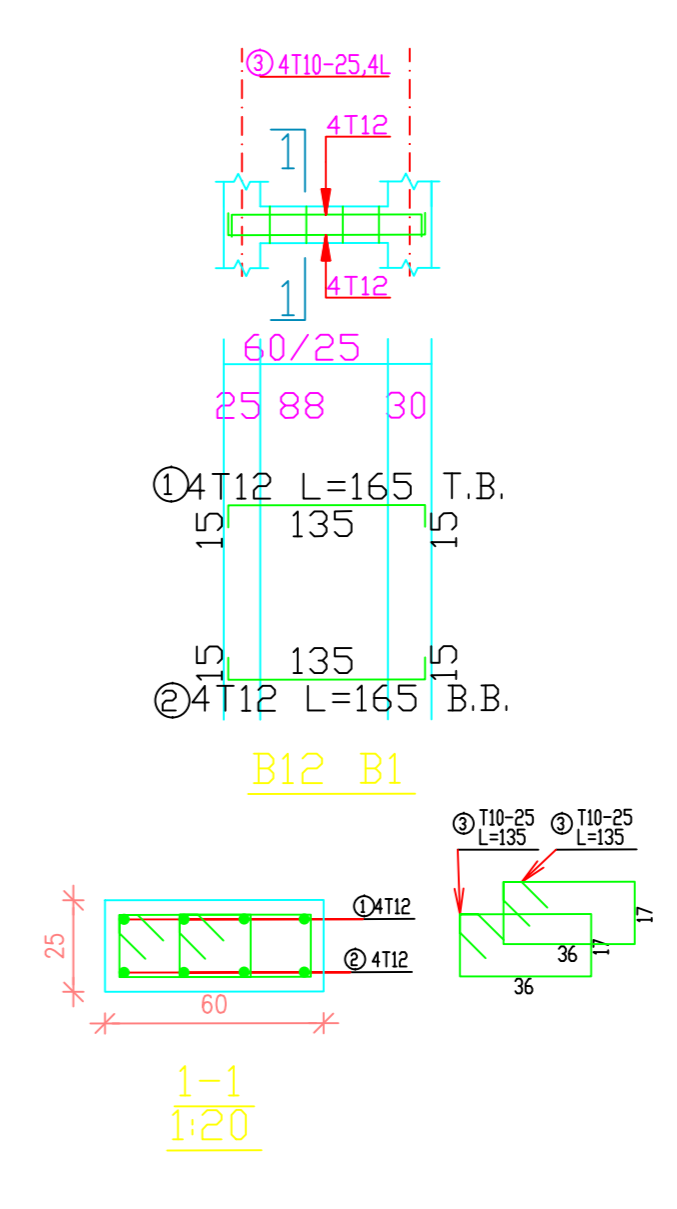
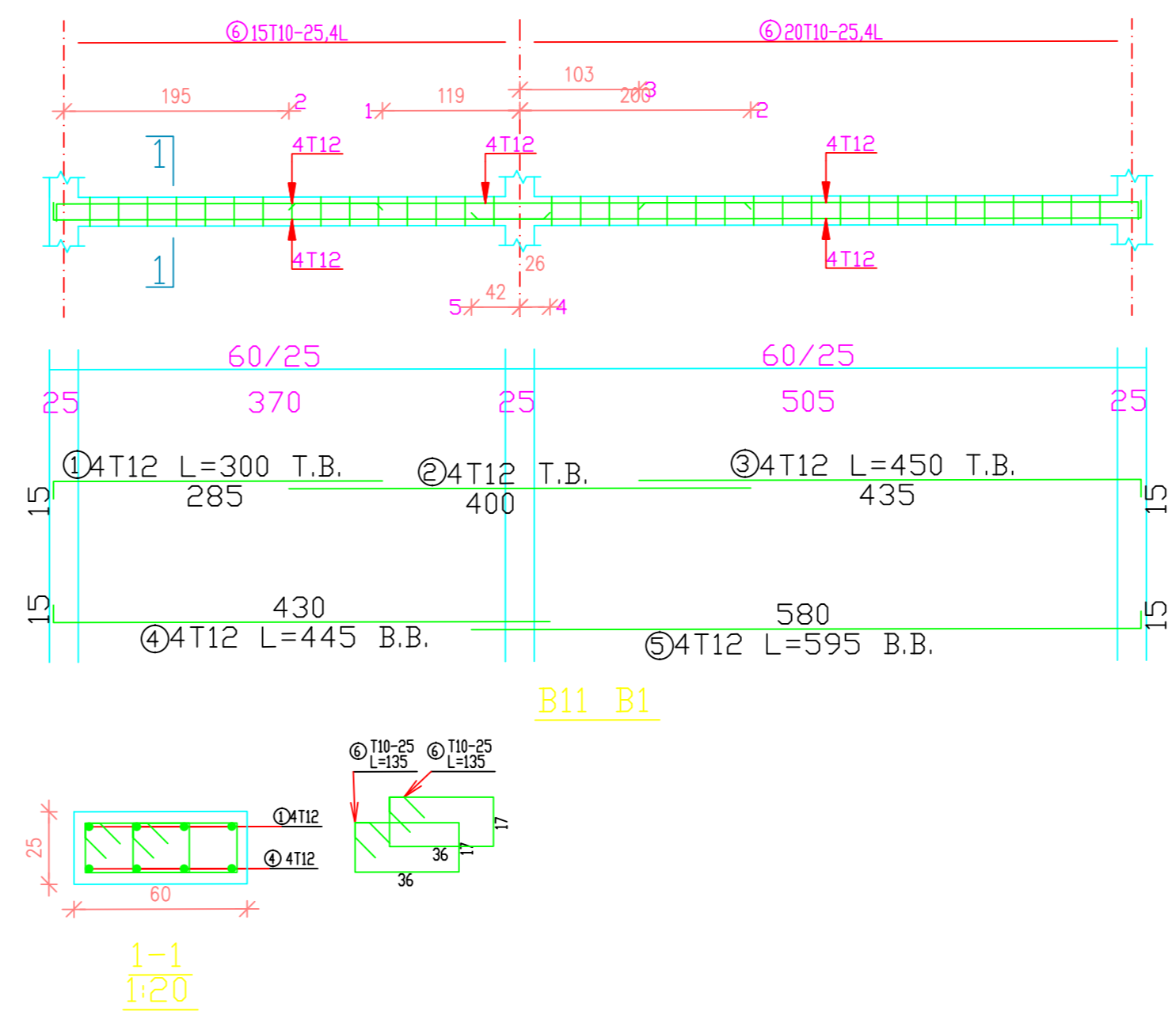
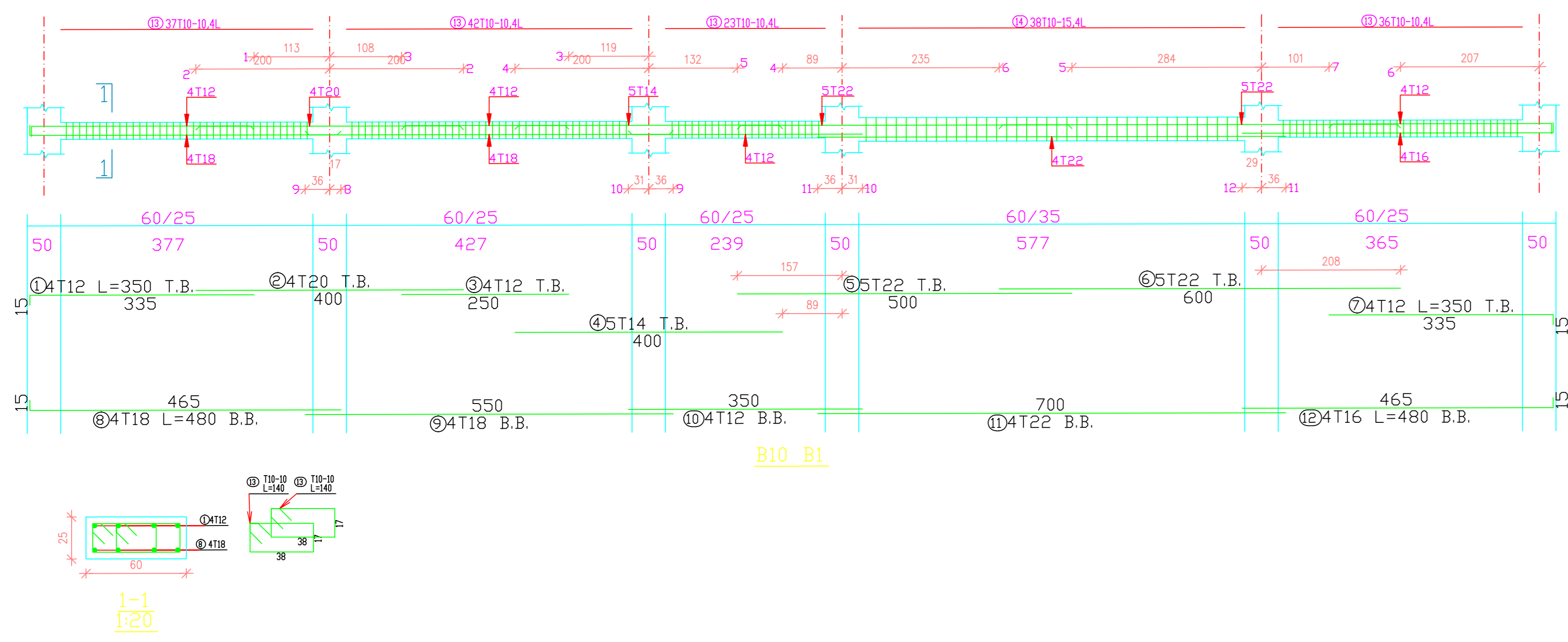
Drawing Title:
Beams Details
Drawing No.:
S 27

Date: 2/6/2021

View scale 1/50

Cover 4 cm





NOTES:

All Dimensions are in meters unless otherwise shown.
All spot levels are in meters.

Palestine Polytechnic University
Civil. & Arch. Eng. Department
Building Engineering

Project:
Residential Commercial Building
Designed By:
Feras Abo-Aljaysh
Noor Beiwat
Anas Jobran

Supervisor:
Eng.Mai Haddad

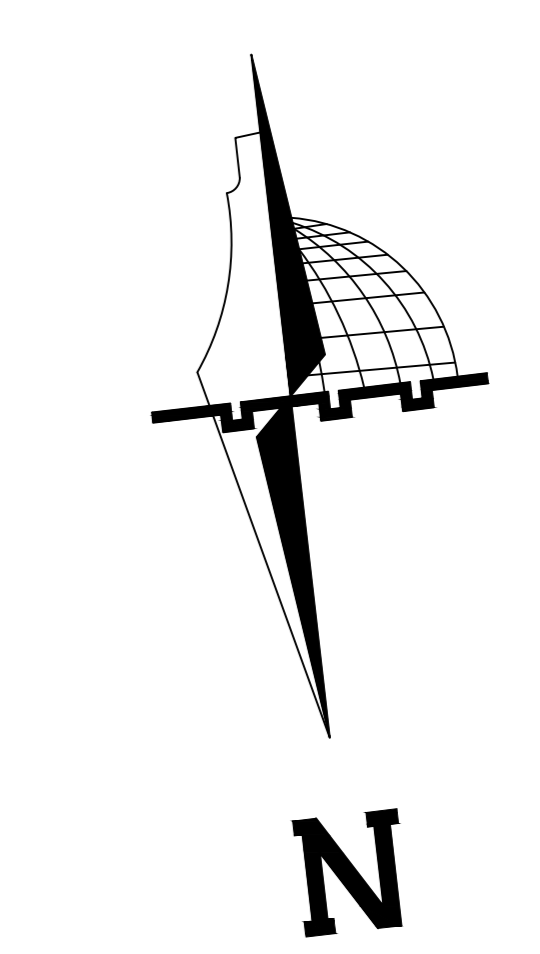
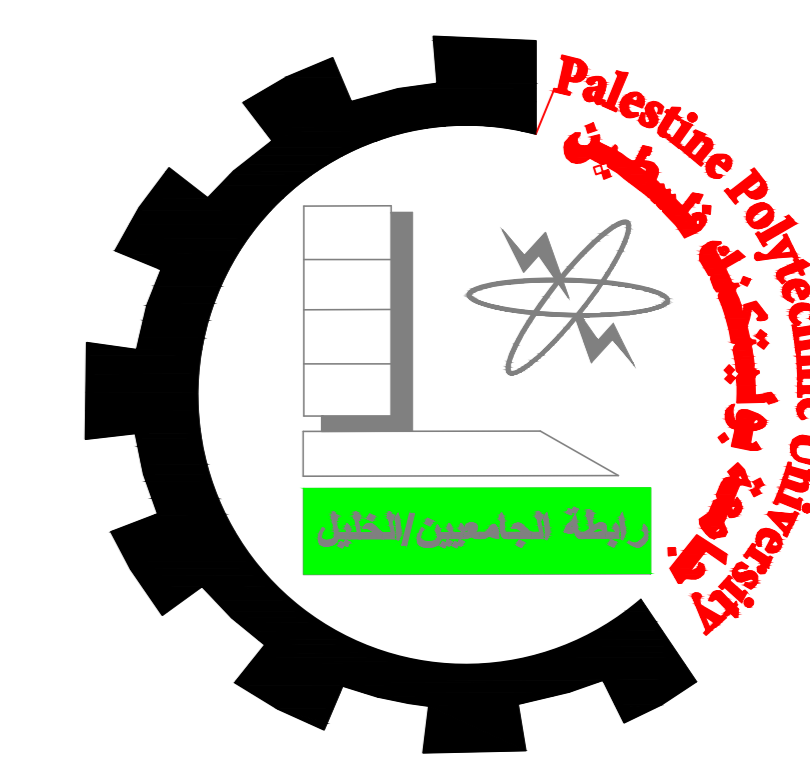
Drawing Title:
Beams Details

Drawing No.:
S 28

Date: 2/6/2021

View scale 1/50

Cover 4 cm



NOTES:

All Dimensions are in meters unless otherwise shown.
All spot levels are in meters.

Palestine Polytechnic University
Civil. & Arch. Eng. Department
Building Engineering

Project:
Residential Commercial Building
Designed By:
Feras Abo-Aljaysh
Noor Beiwat
Anas Jobran

Supervisor:
Eng.Mai Haddad

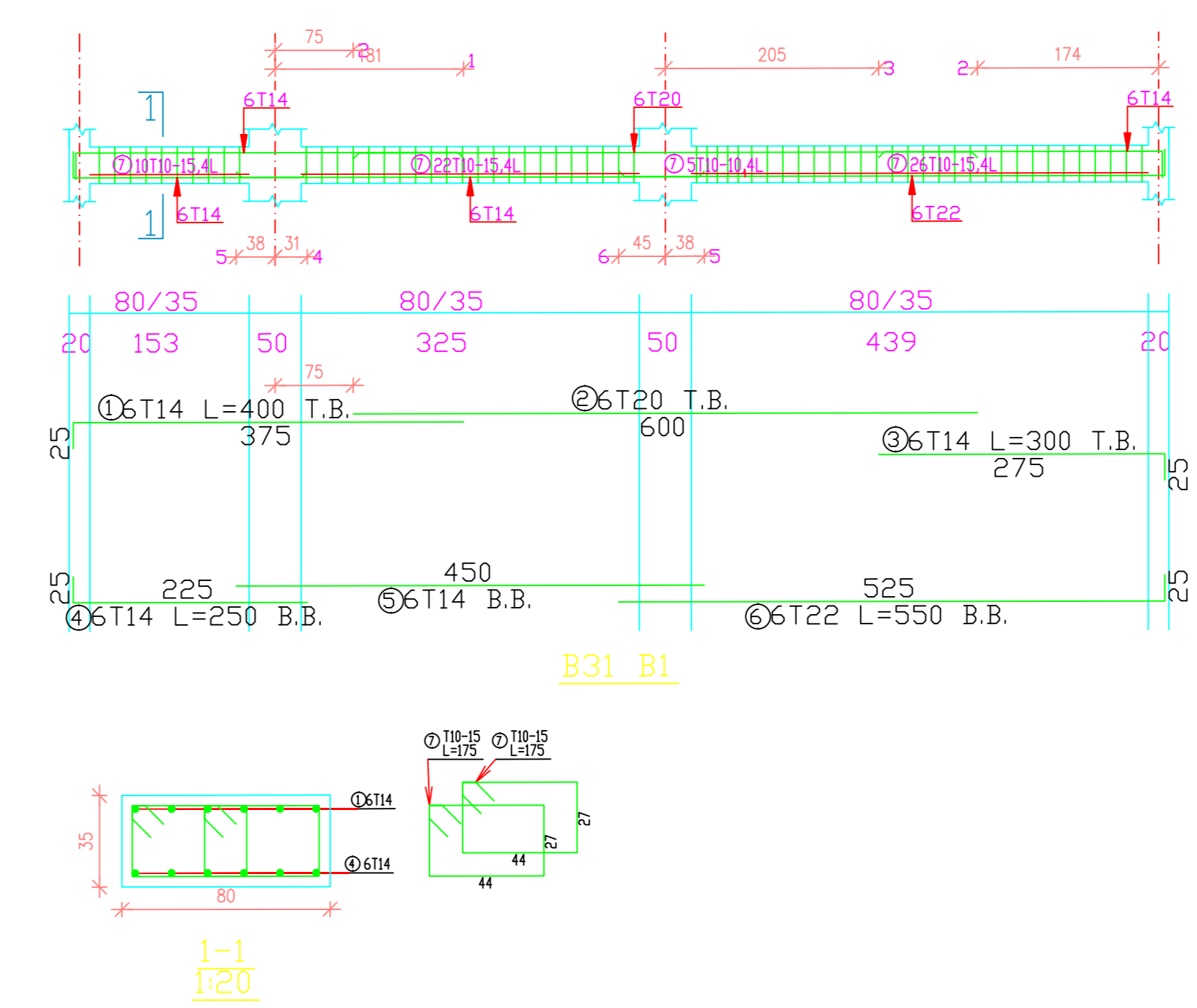
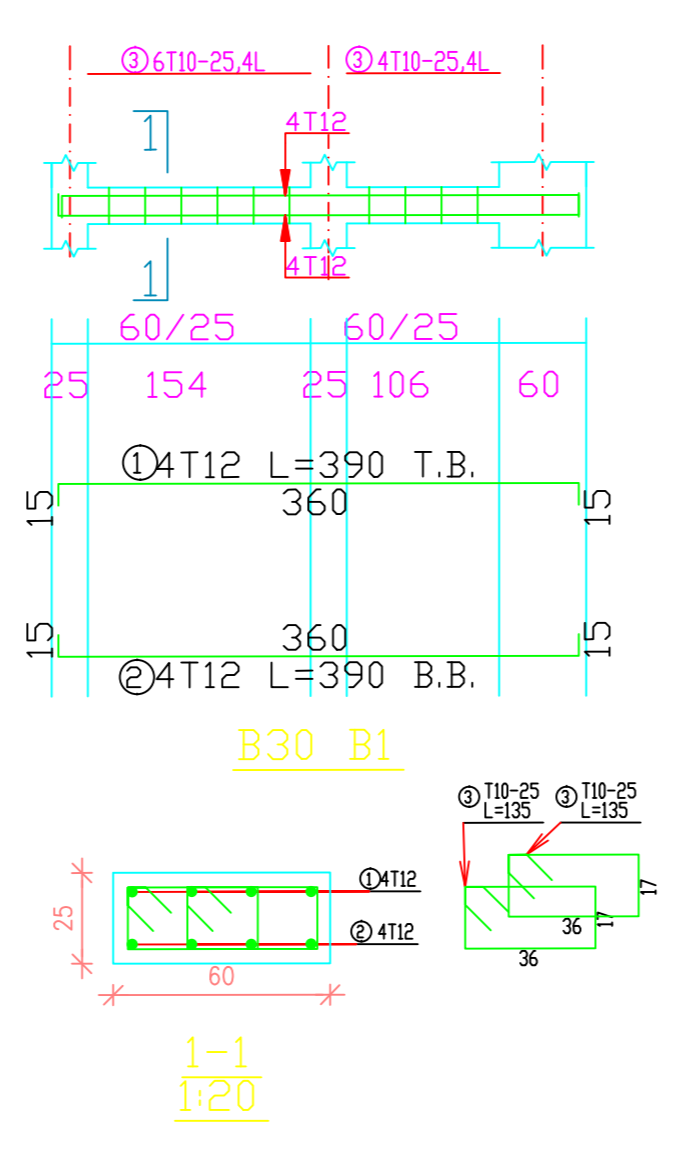
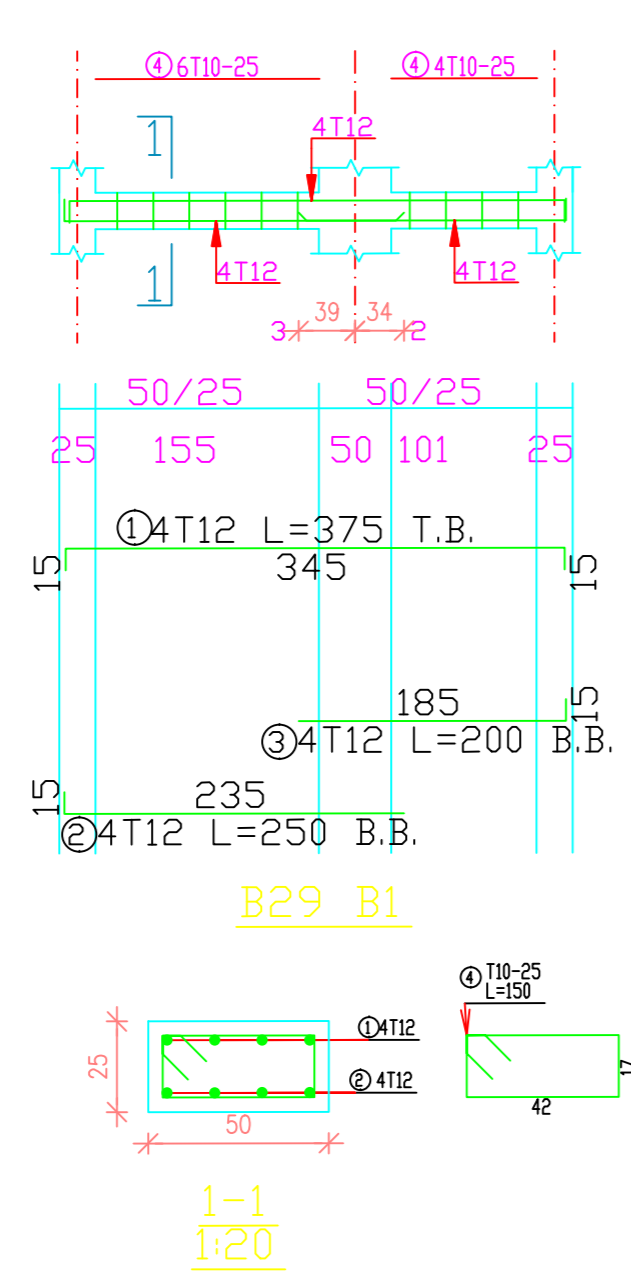
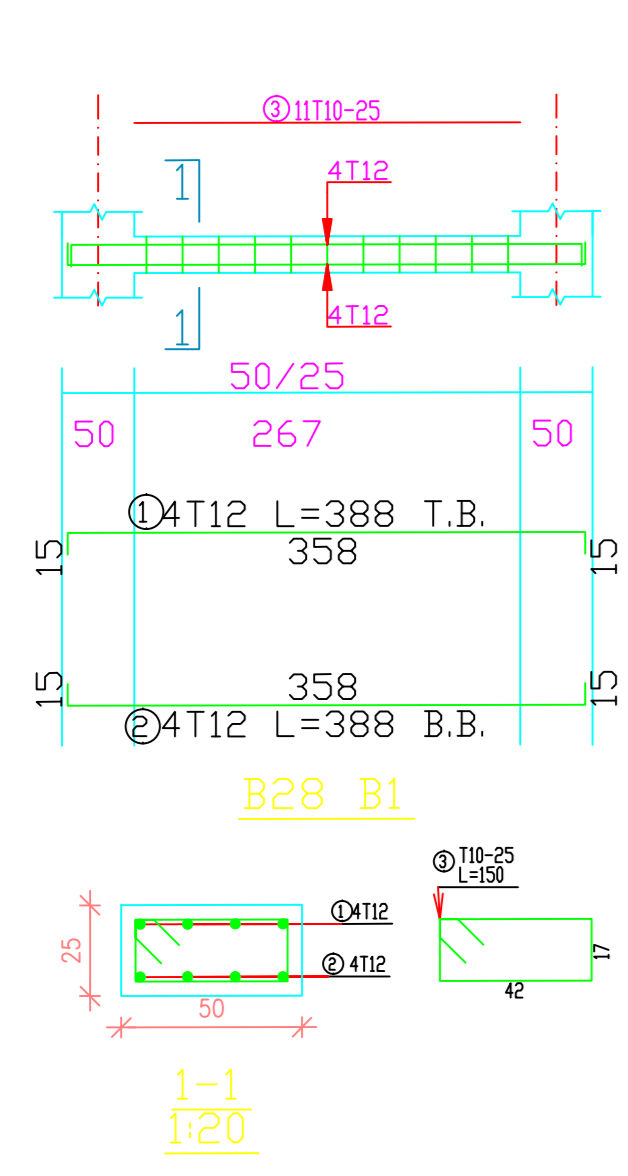
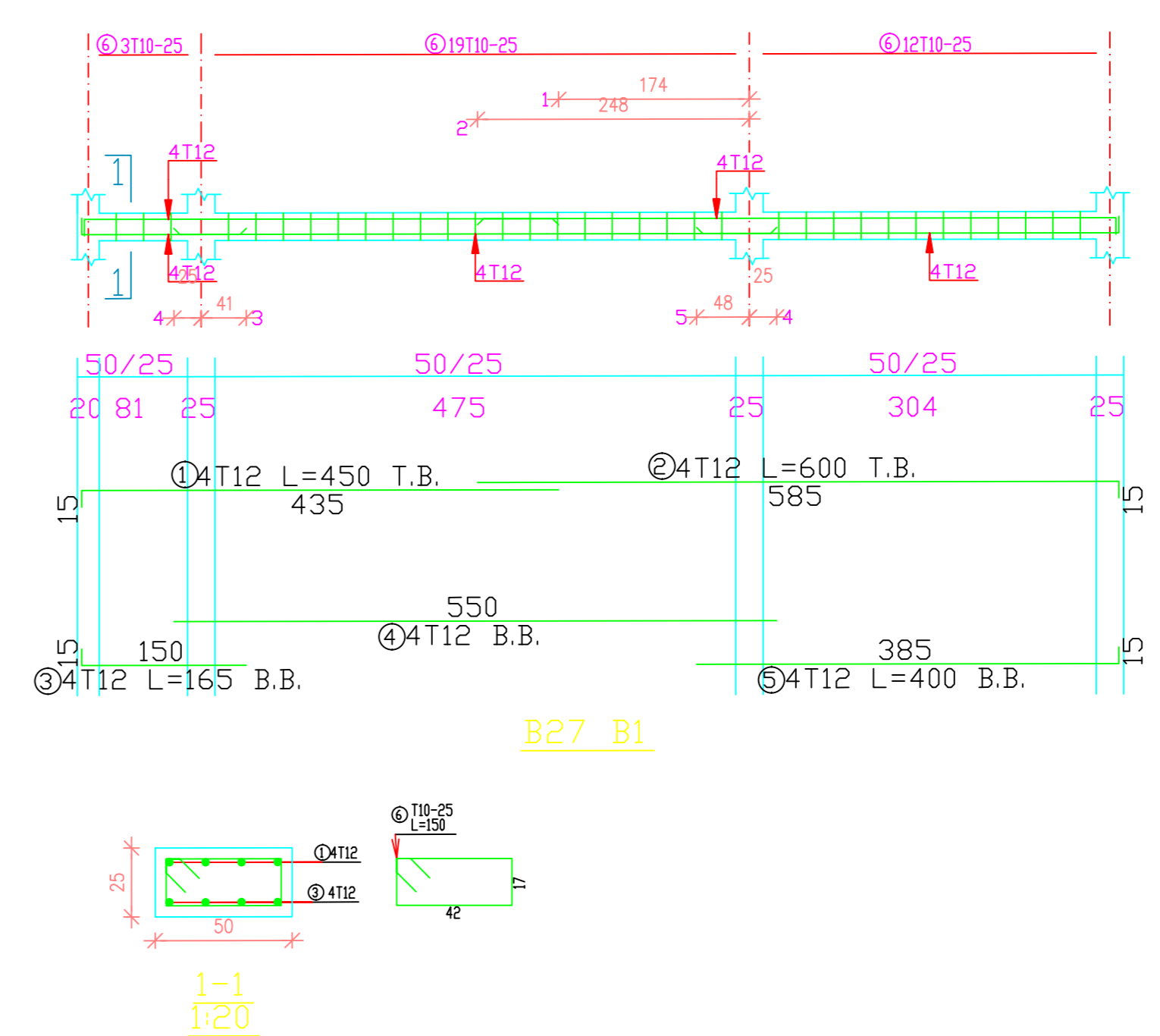
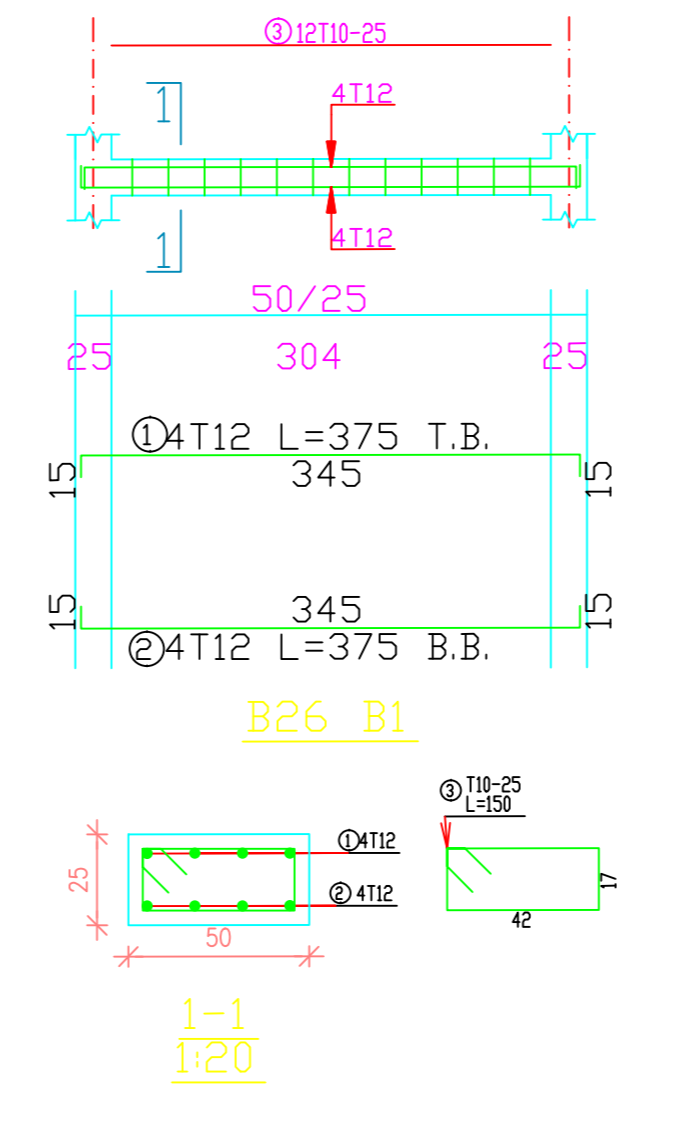
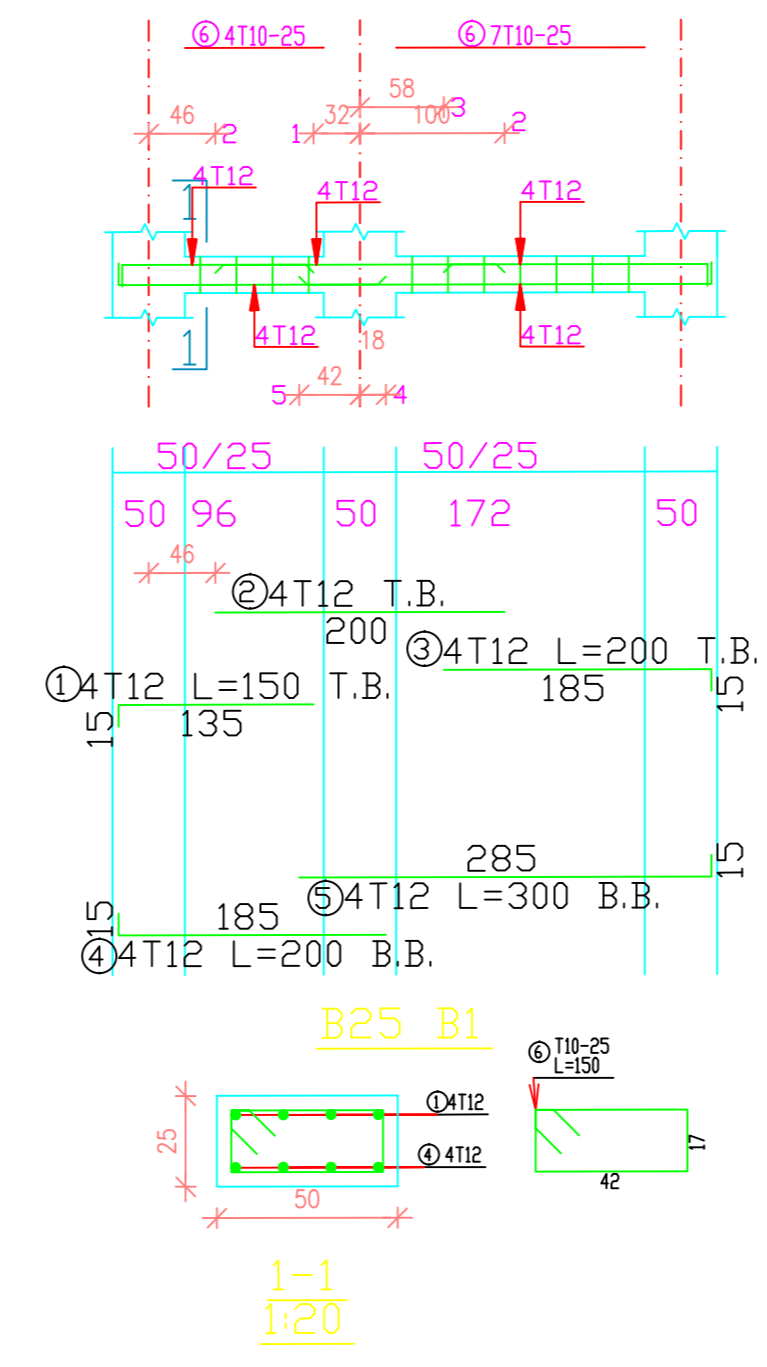
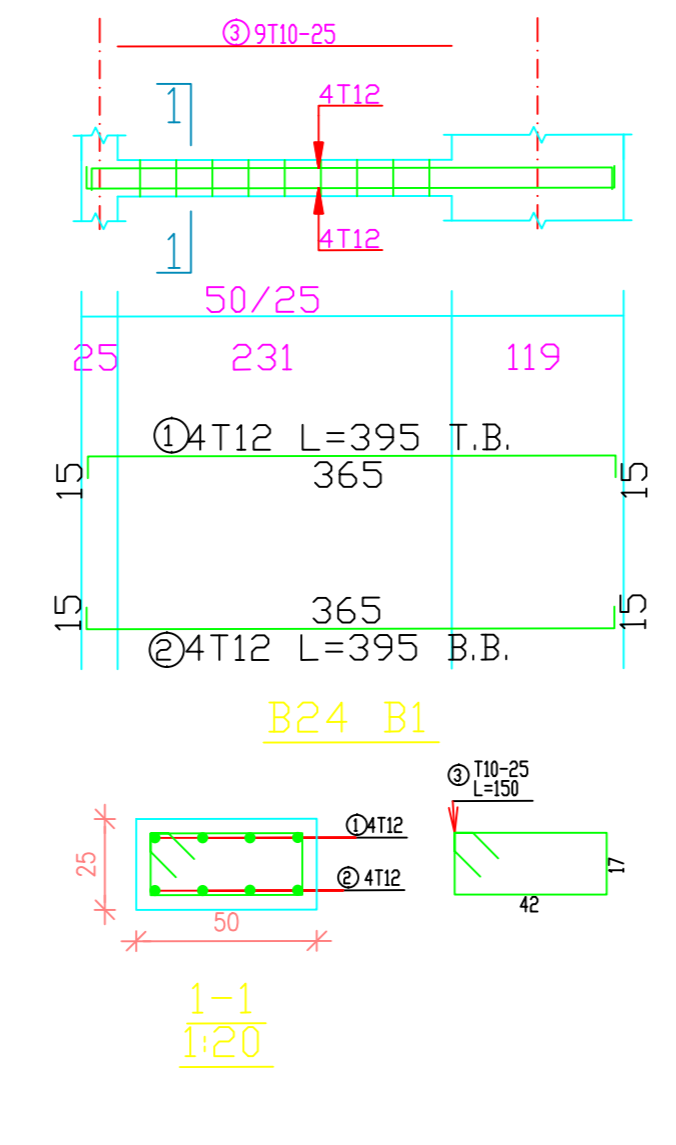
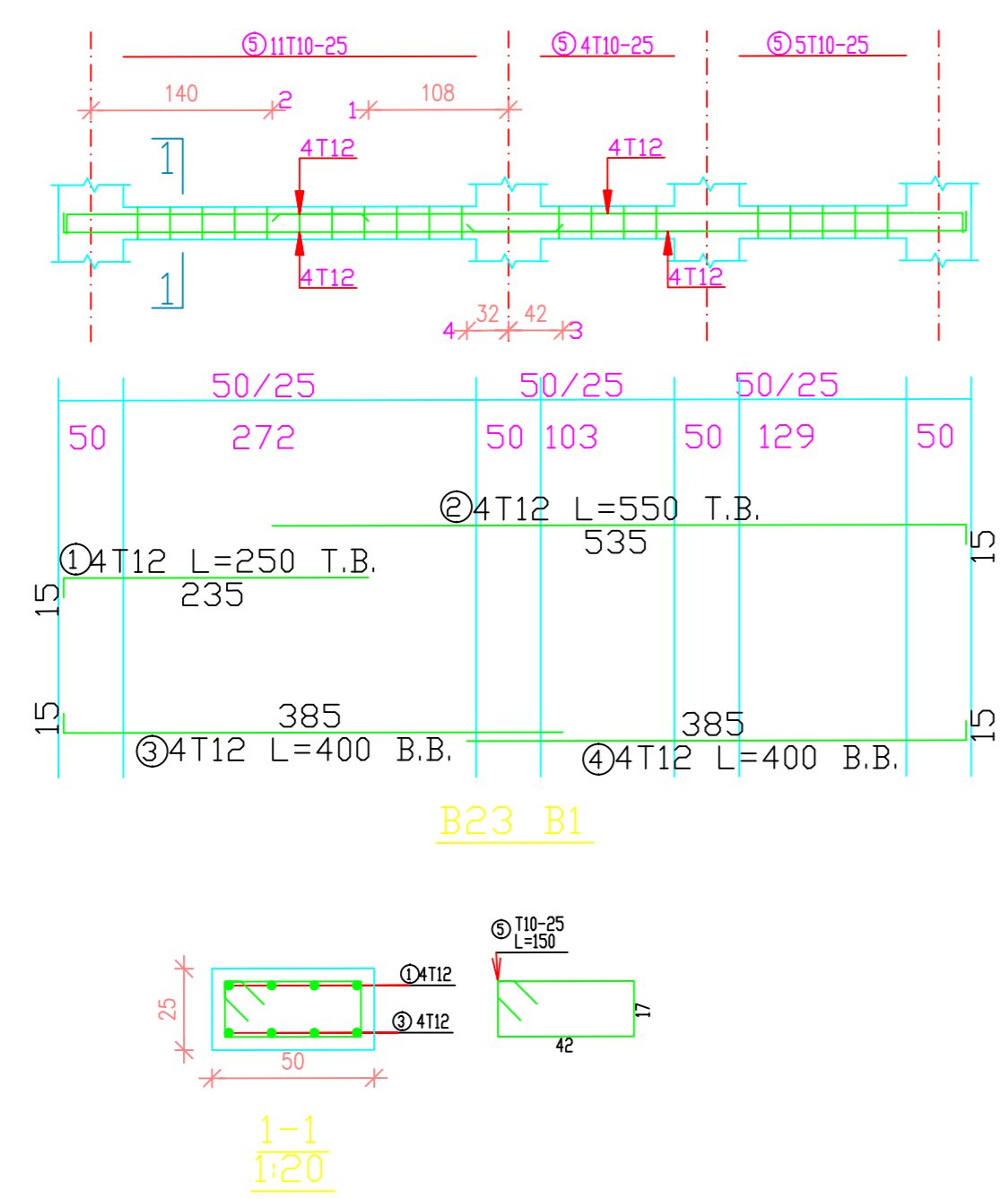
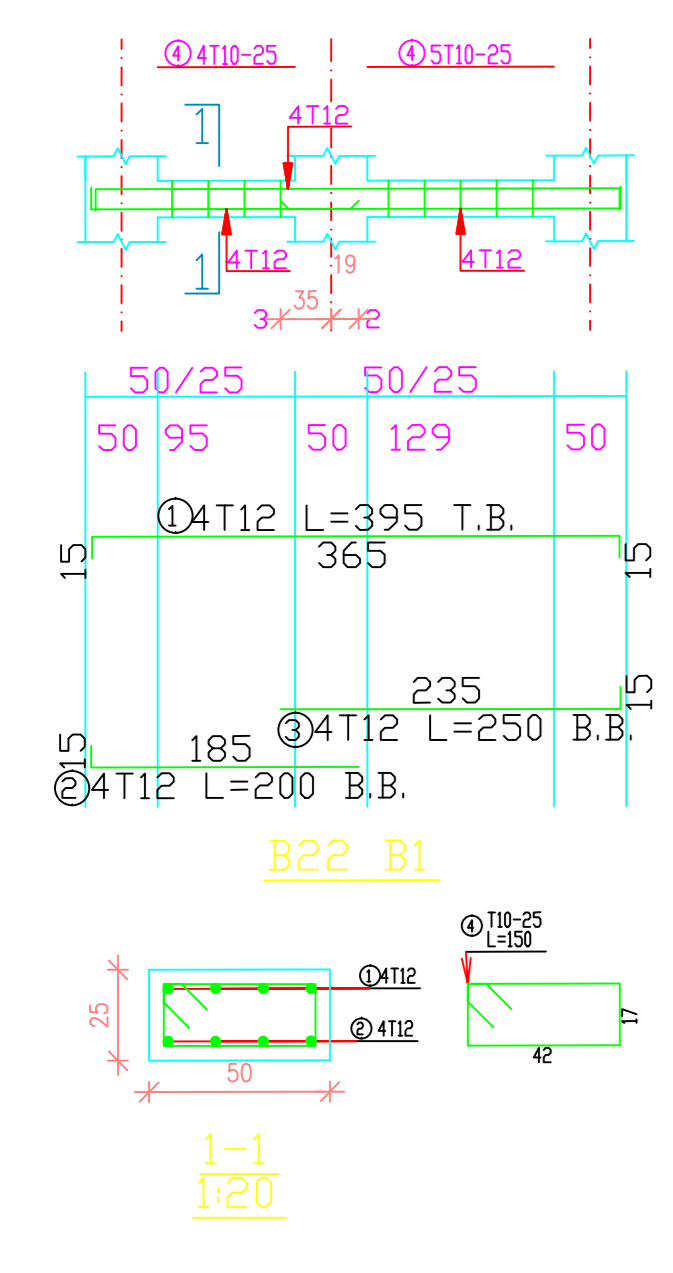
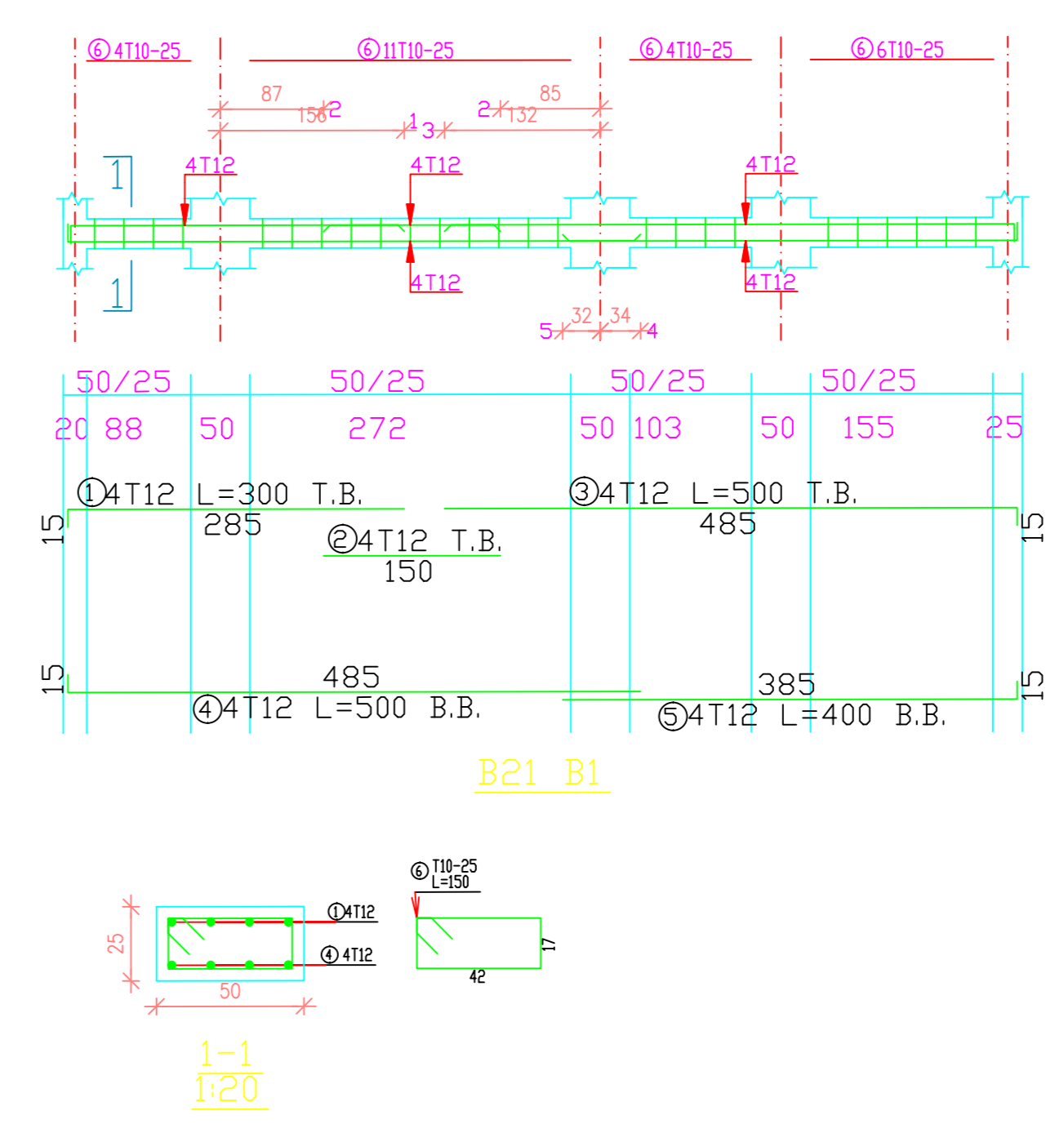
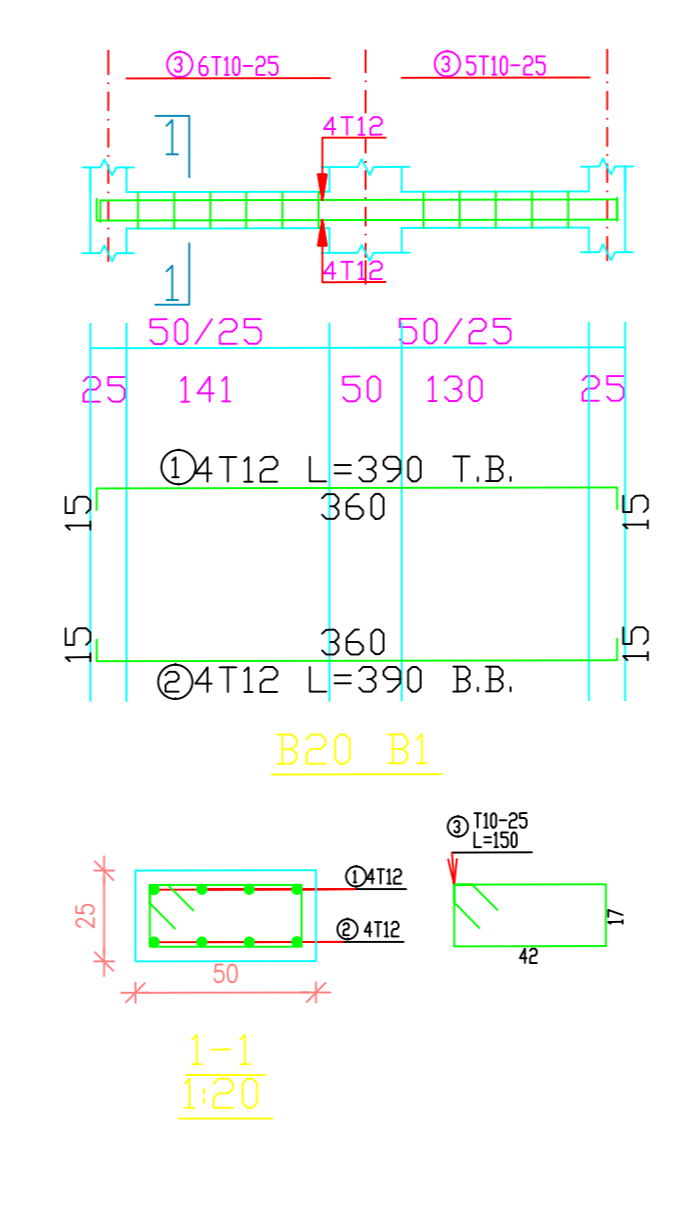
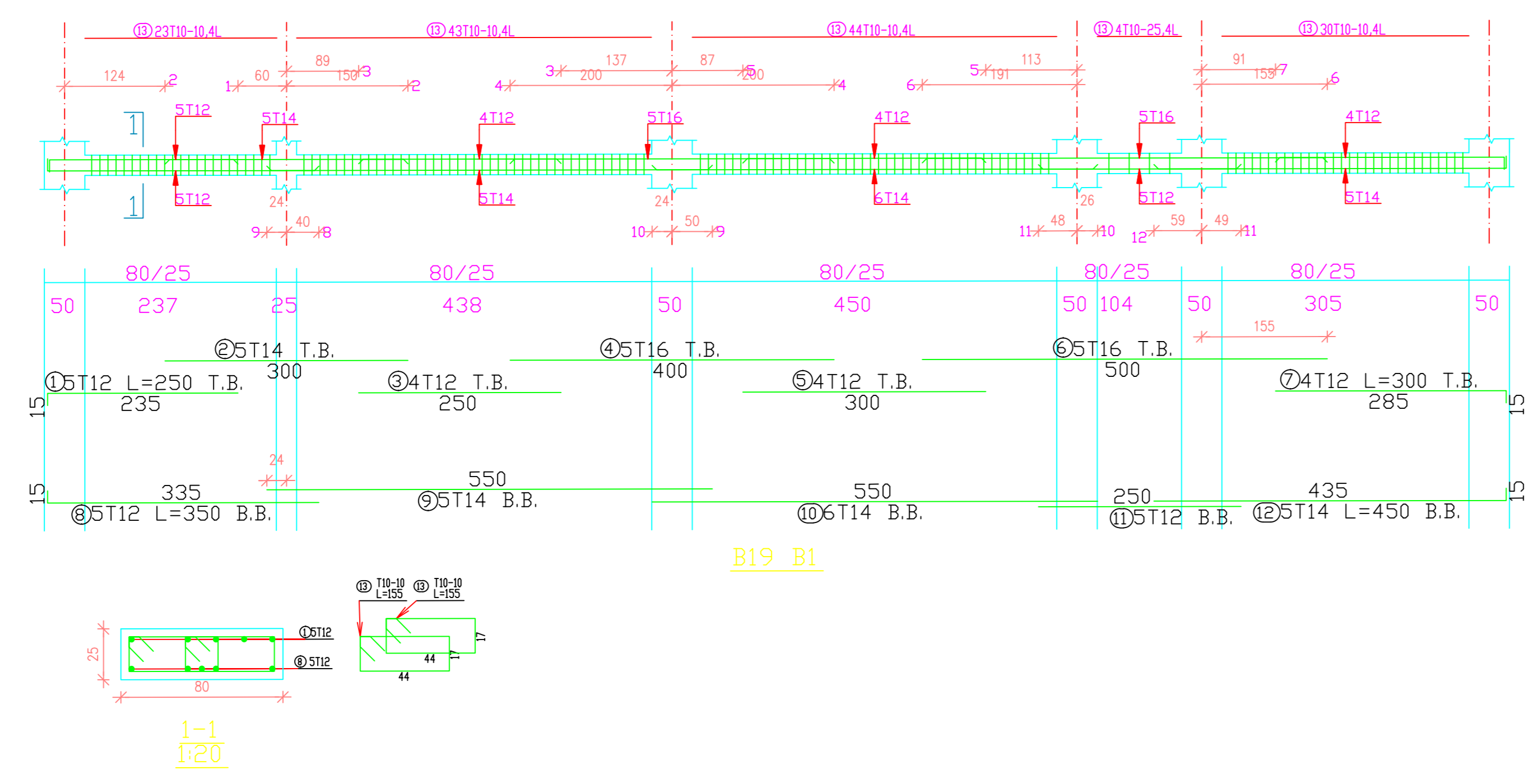
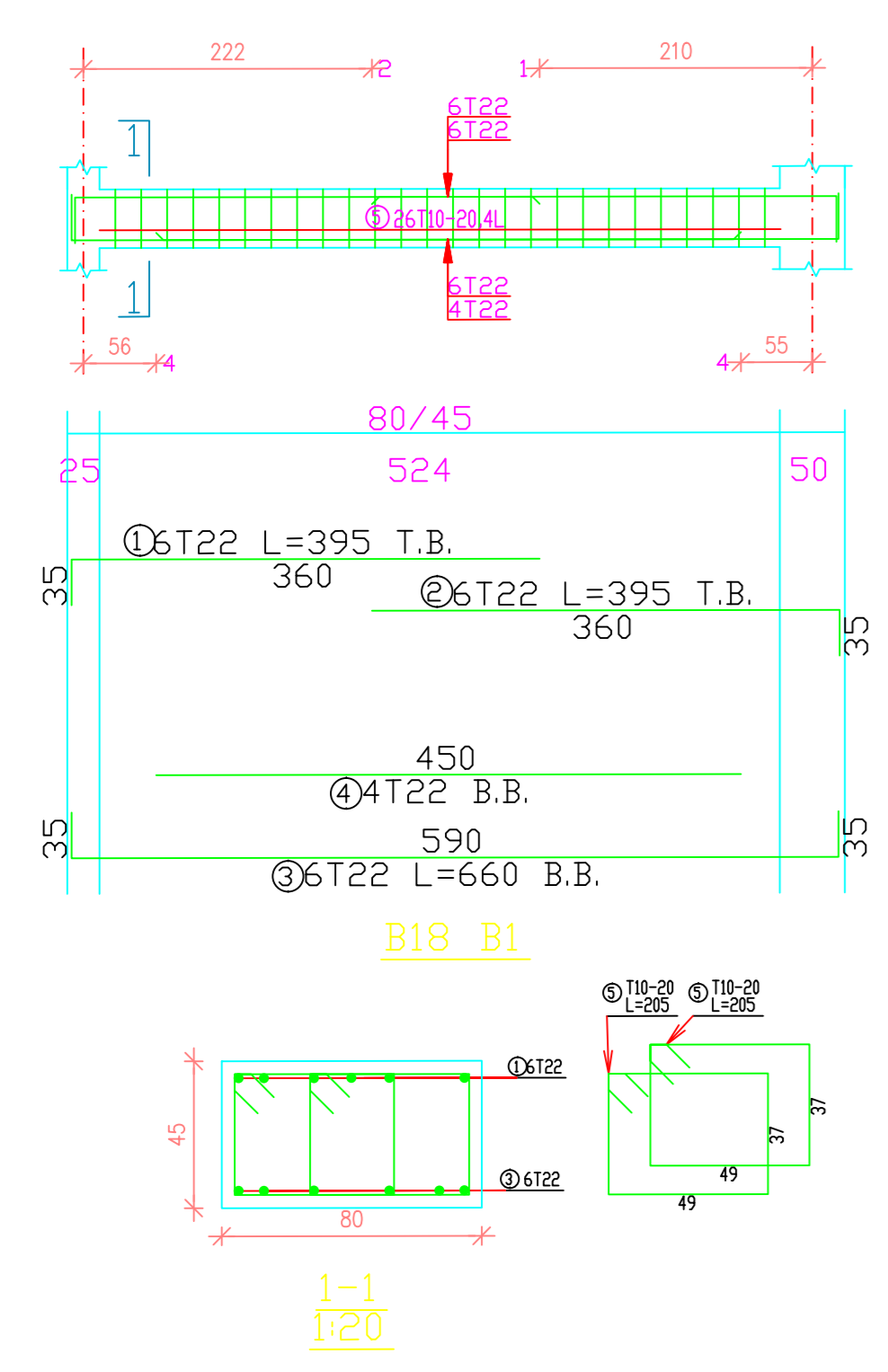
Drawing Title:
Beams Details

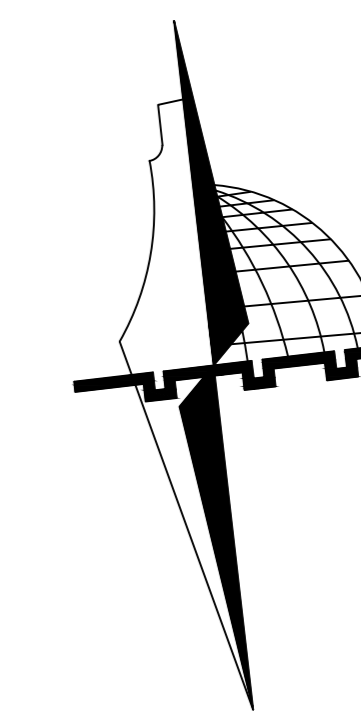
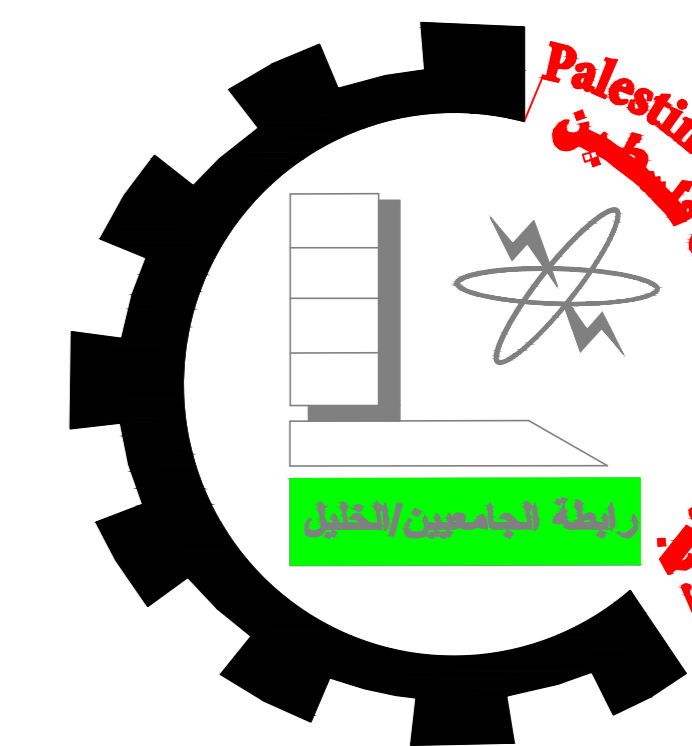
Drawing No.:
S 29

Date: 2/6/2021

View scale 1/50

Cover 4 cm





N

NOTES:

All Dimensions are in meters unless otherwise shown.

All spot levels are in meters.

Palestine Polytechnic University
Civil. & Arch. Eng. Department

Building Engineering

Project :

Residential Commercial Building

Designed By :

Feras Abo-Aljraysh
Noor Beiwat
Anas Jobran

Supervisor :

Eng.Mai Haddad

Drawing Title :

Beams Details

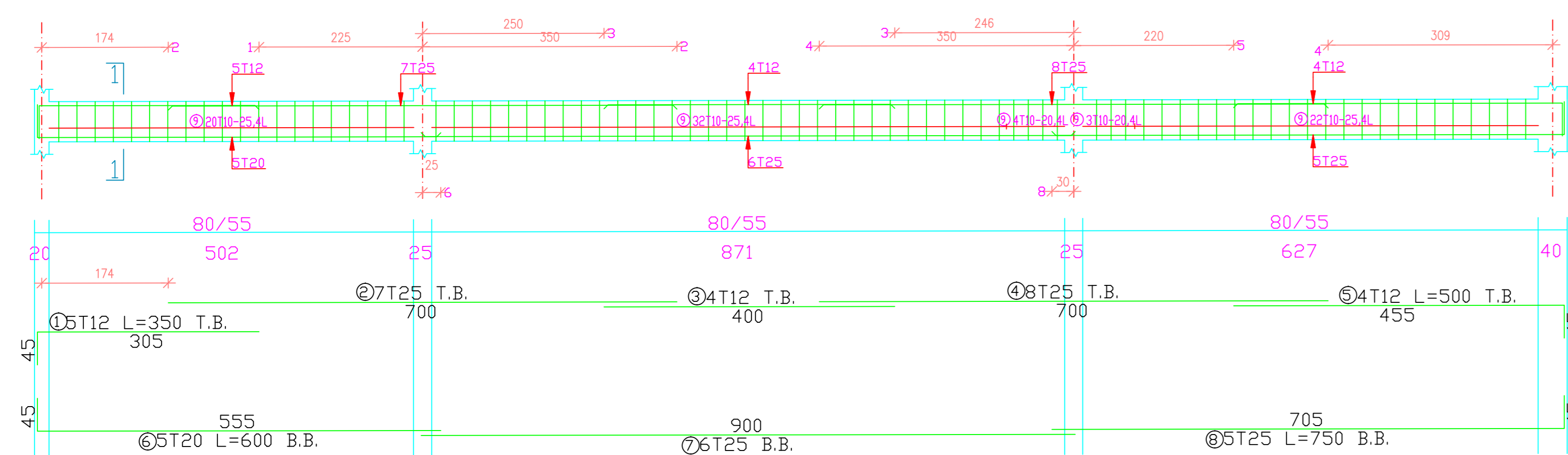
Drawing No :

S 30

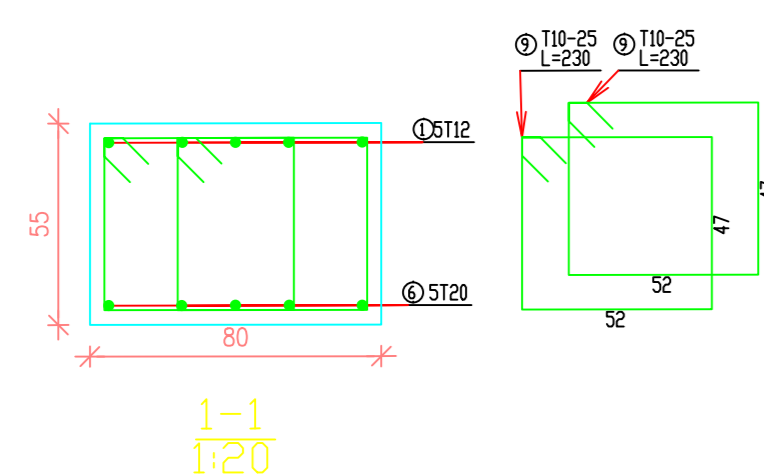
Date : 2/6/2021

View scale 1/50

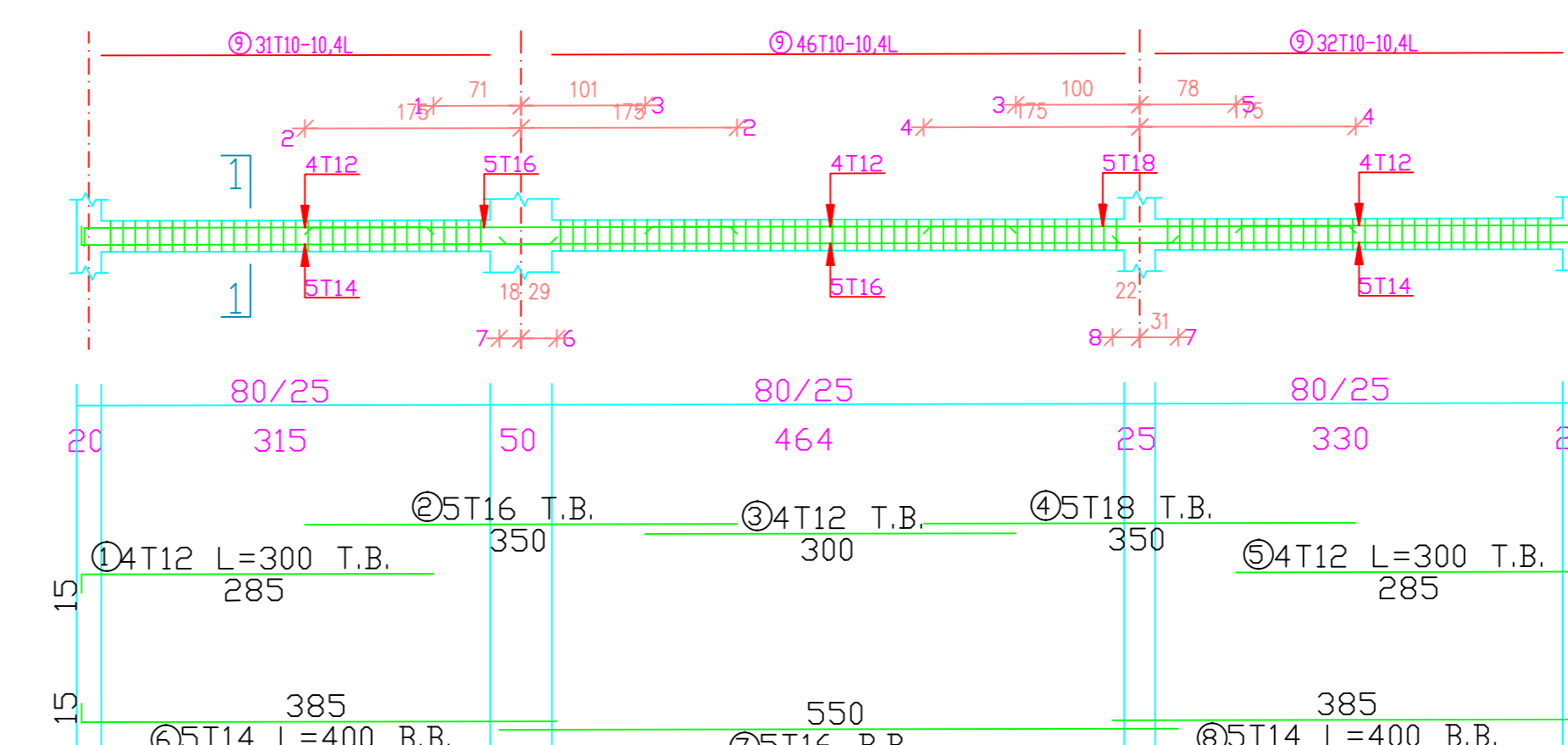
Cover 4 cm



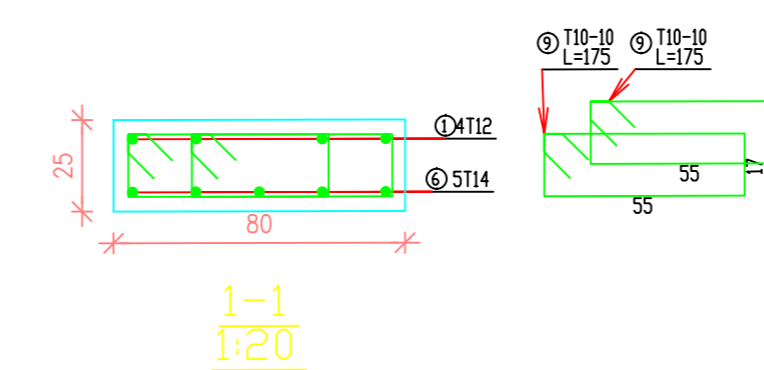
B32_B1



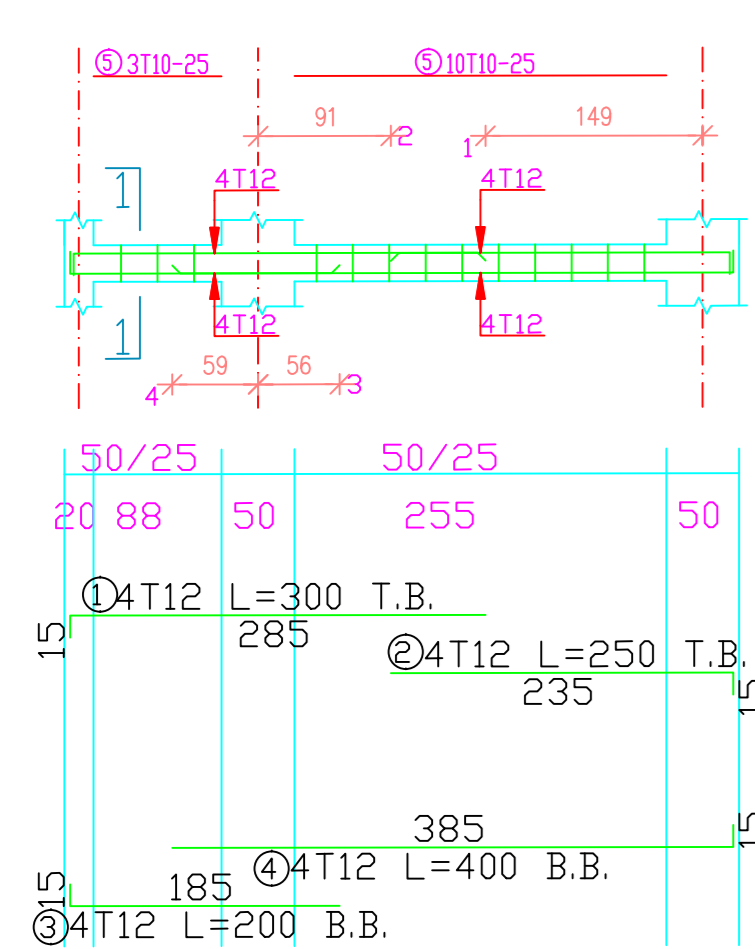
1-1
B32



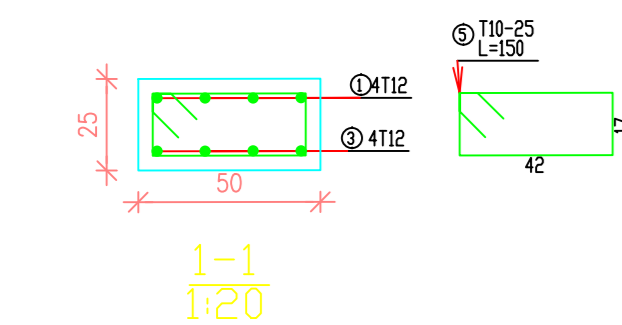
B33_B1



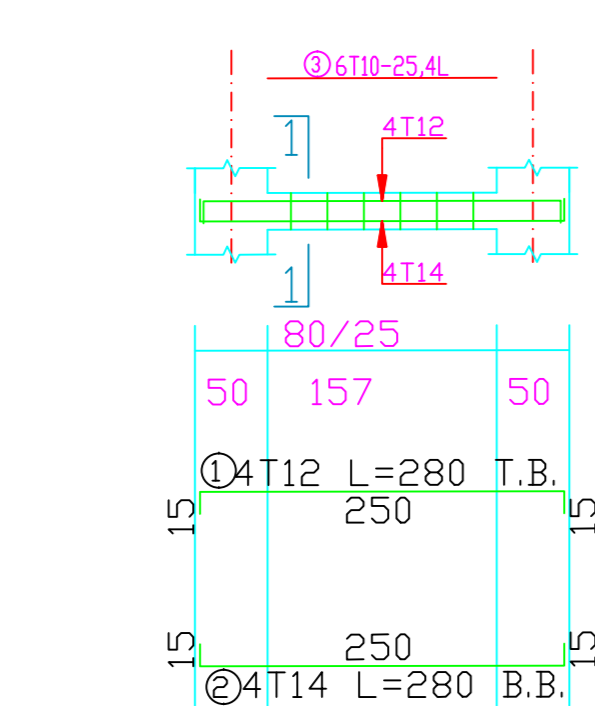
1-1
B33



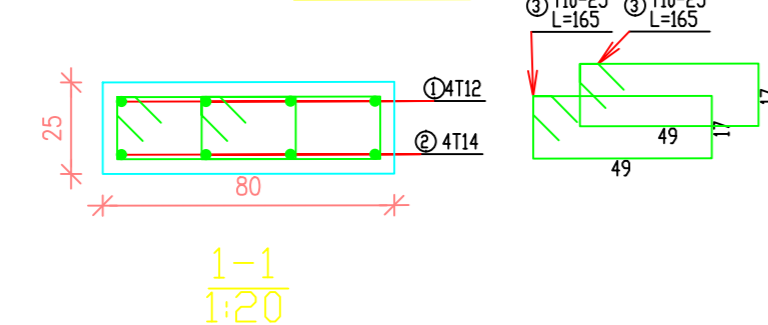
B34_B1



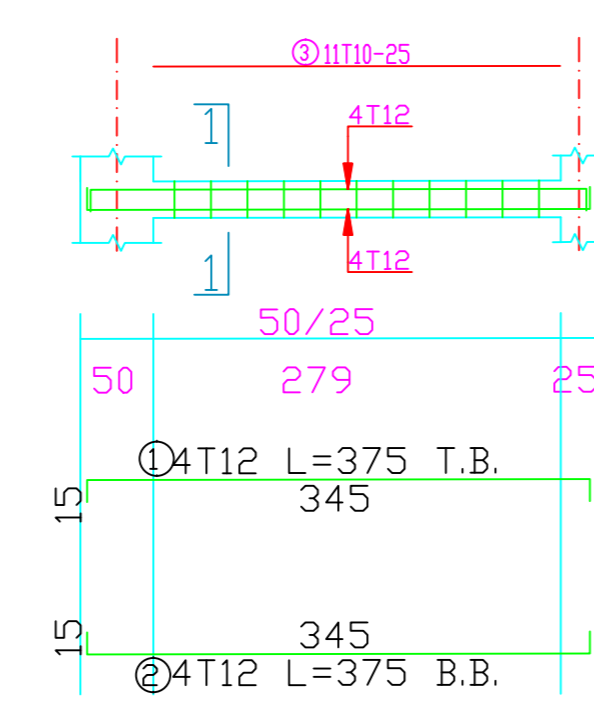
1-1
B34



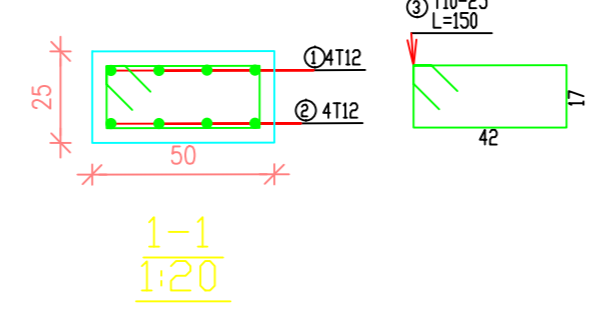
B35_B1



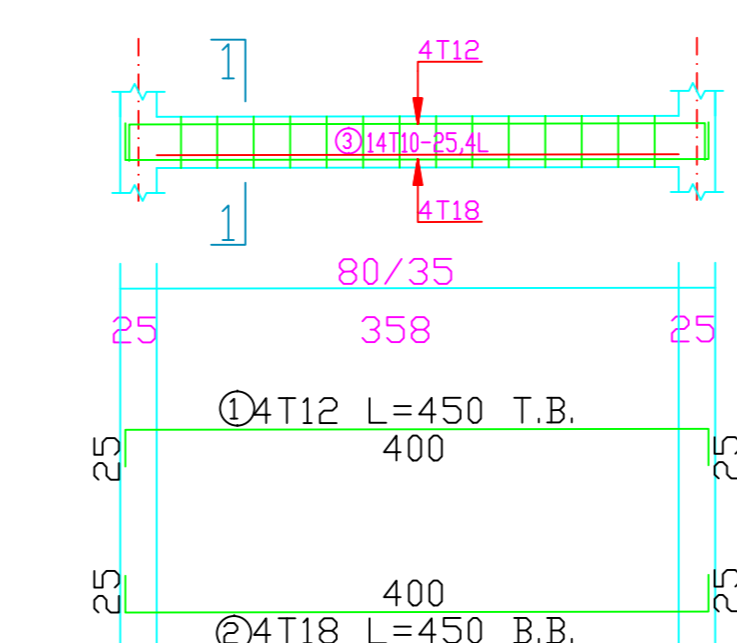
1-1
B35



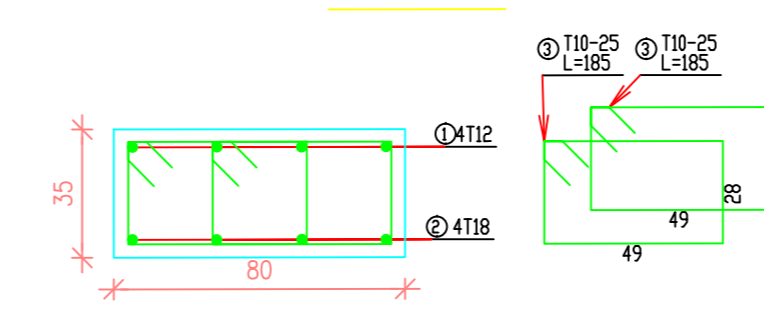
B36_B1



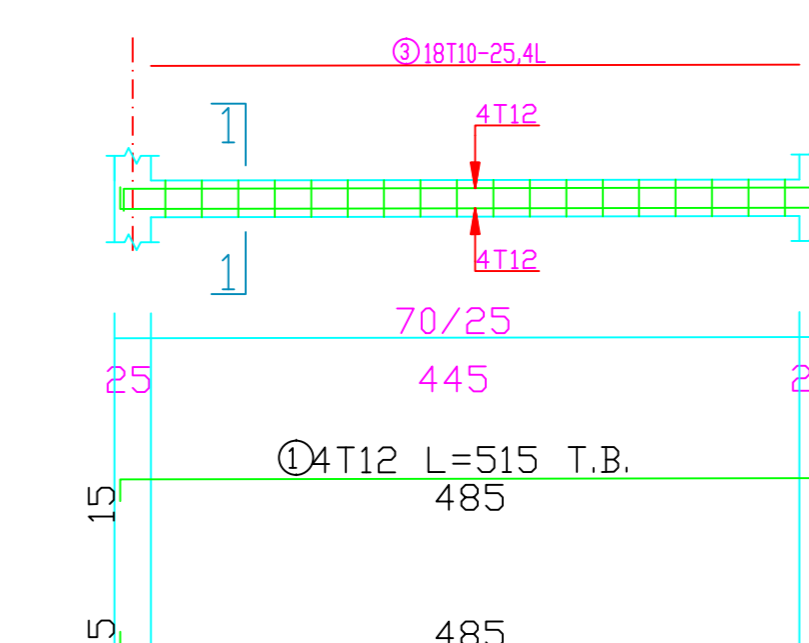
1-1
B36



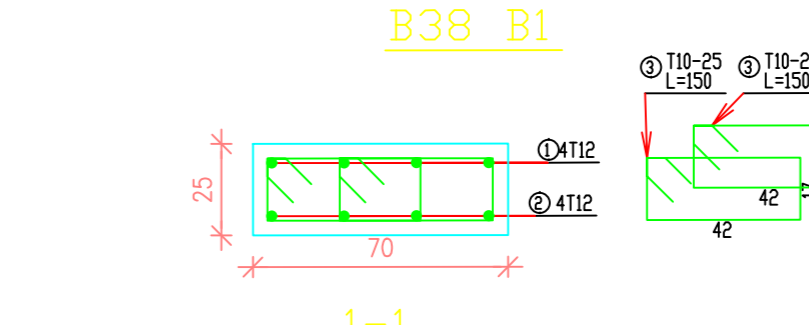
B37_B1



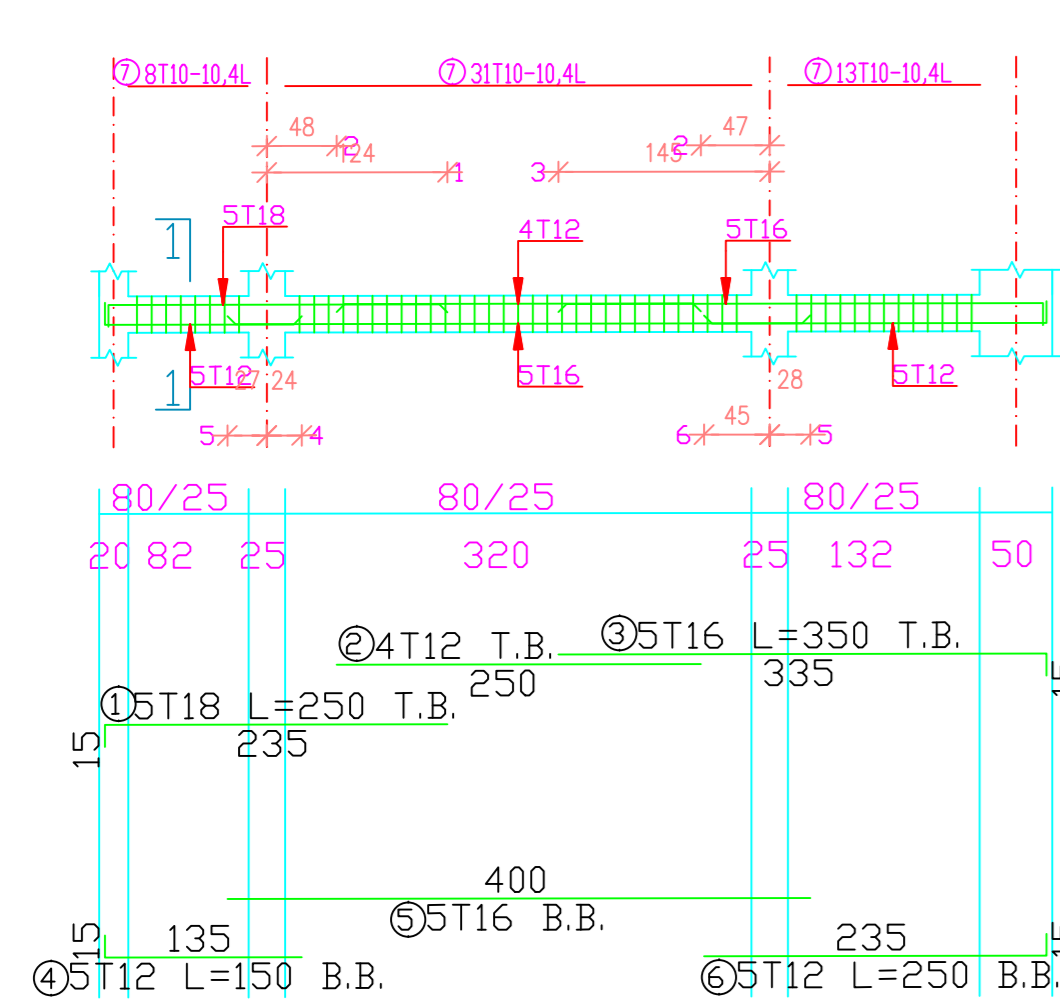
1-1
B37



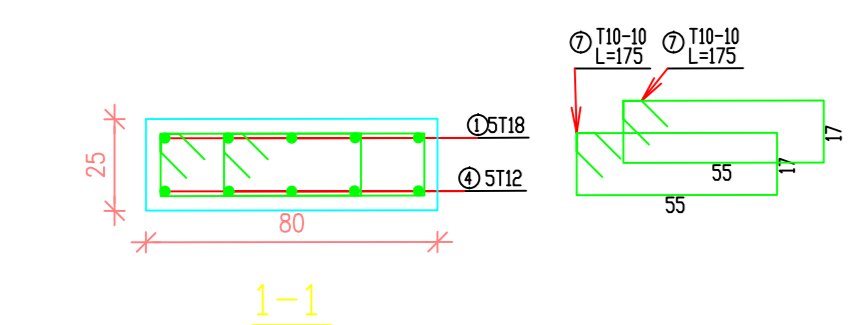
B38_B1



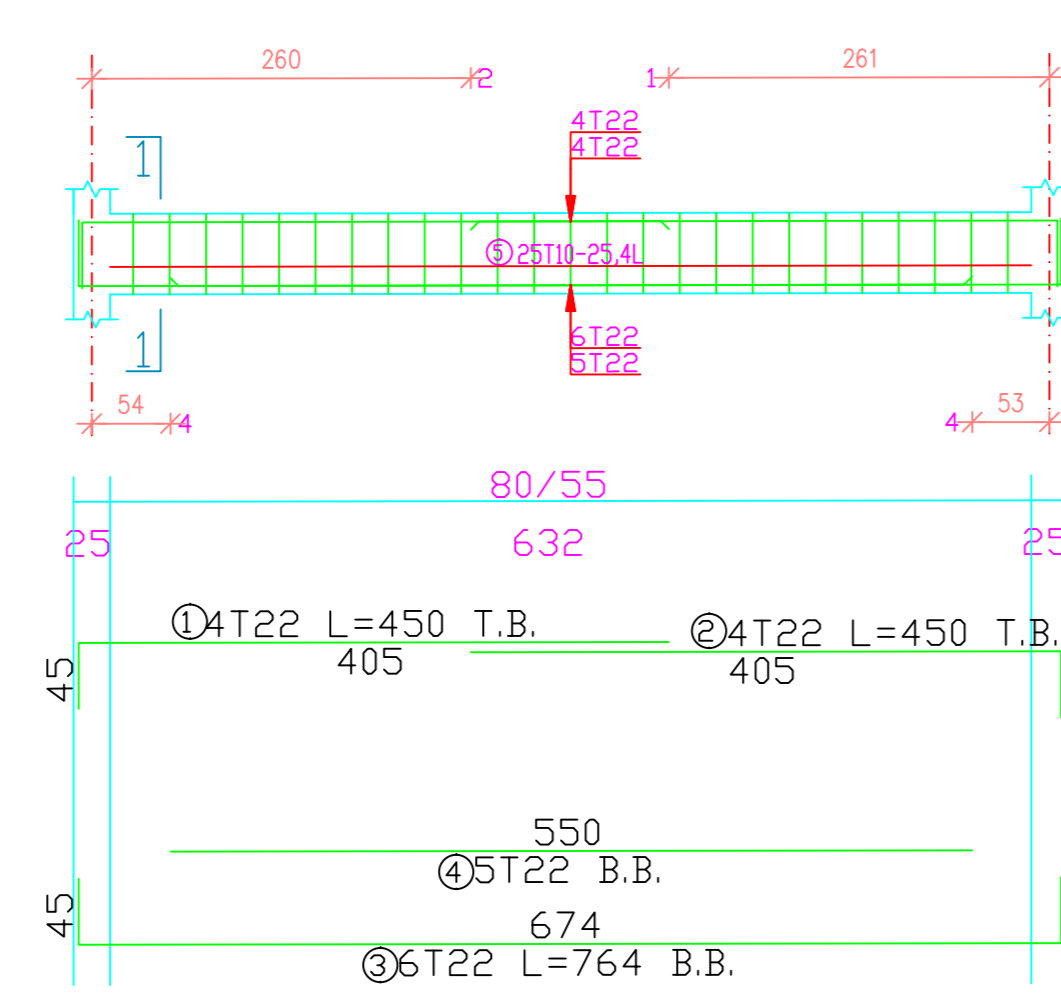
1-1
B38



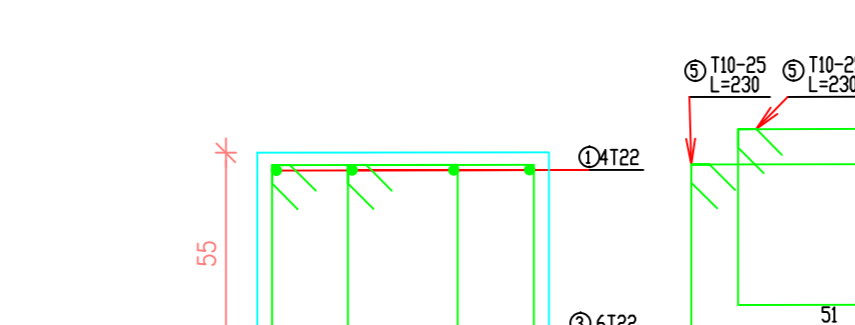
B39_B1



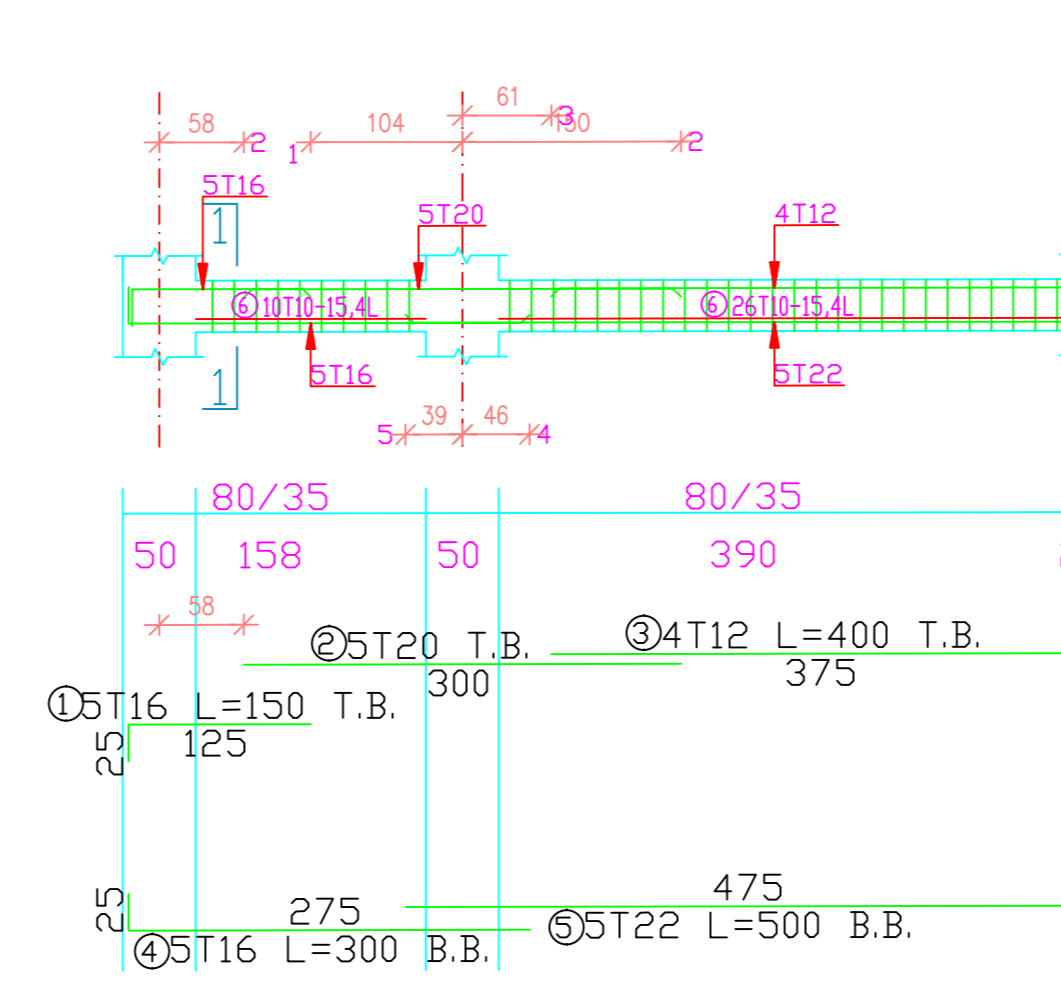
1-1
B39



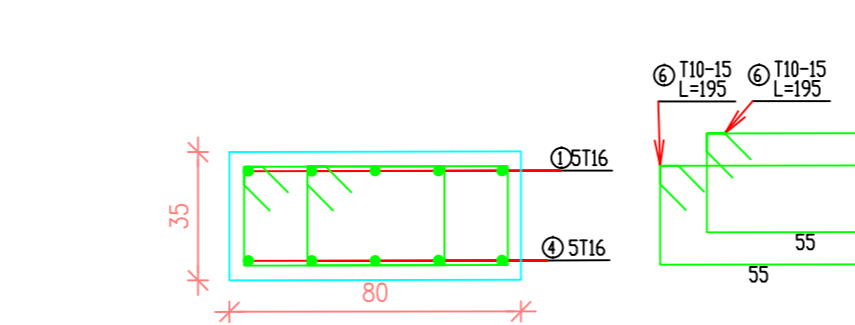
B40_B1



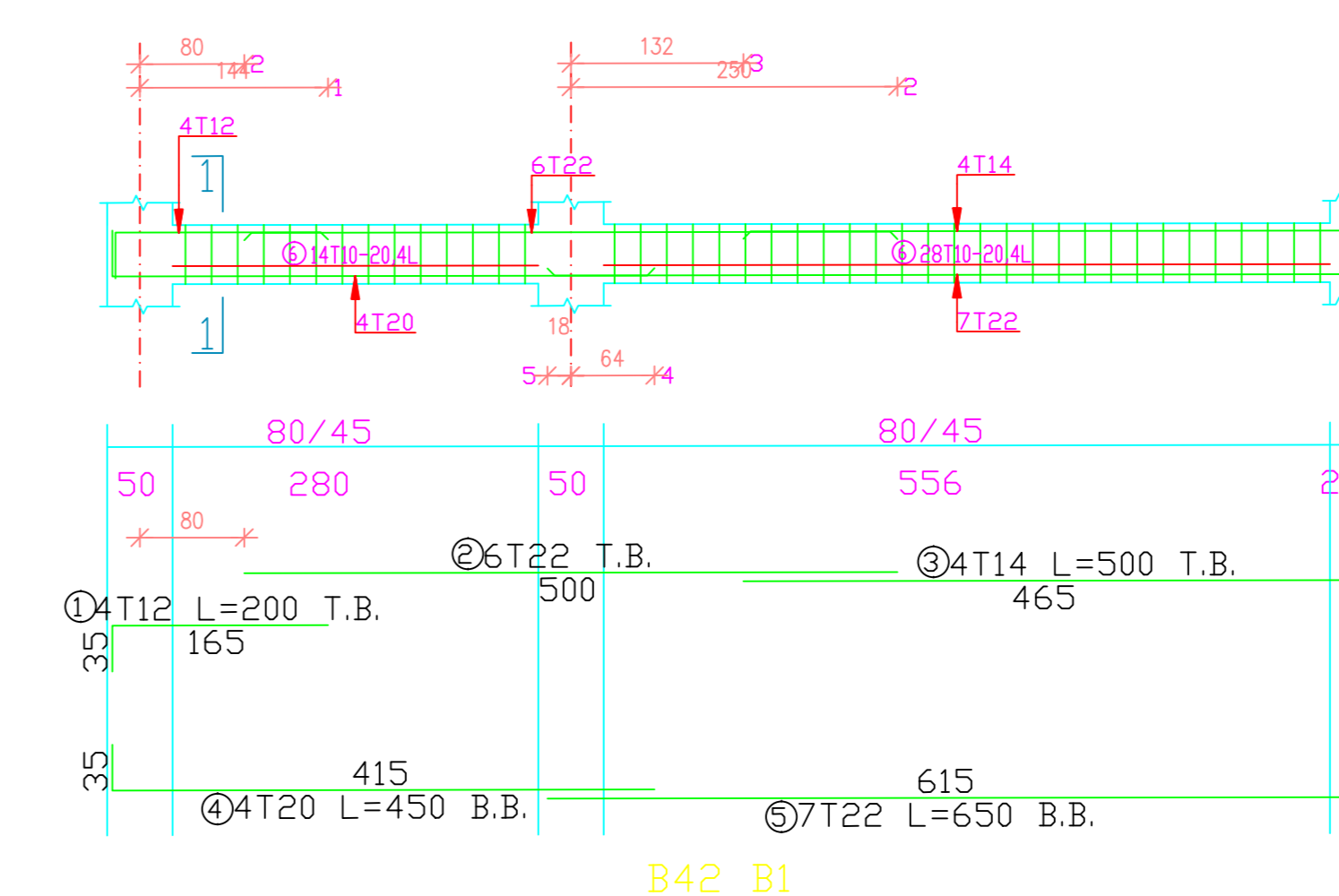
1-1
B40



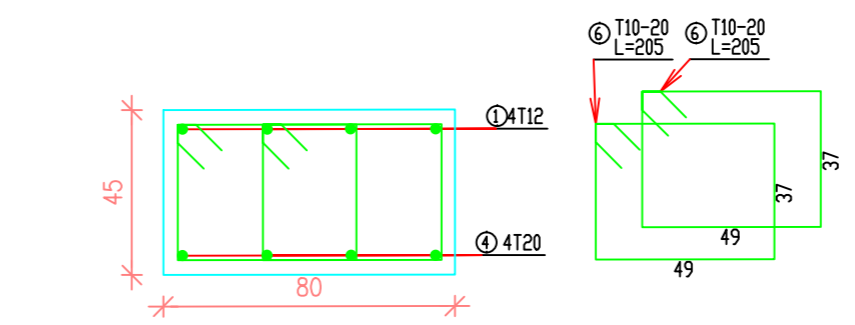
B41_B1



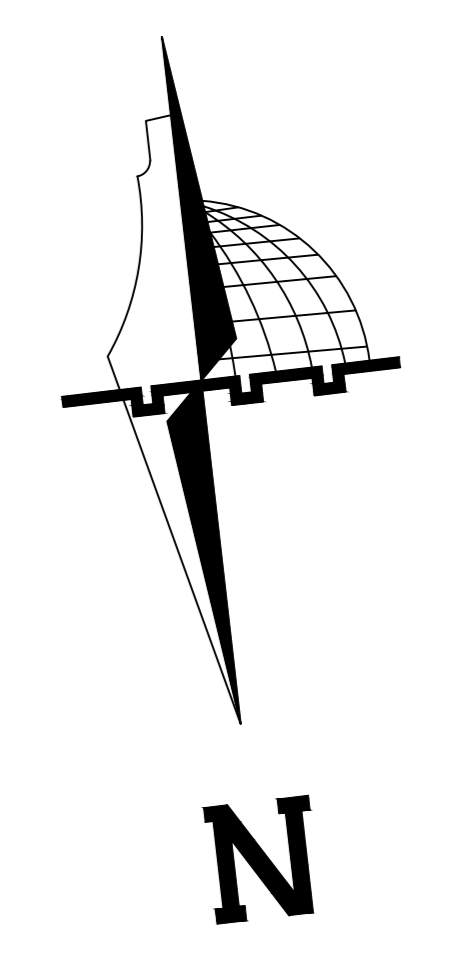
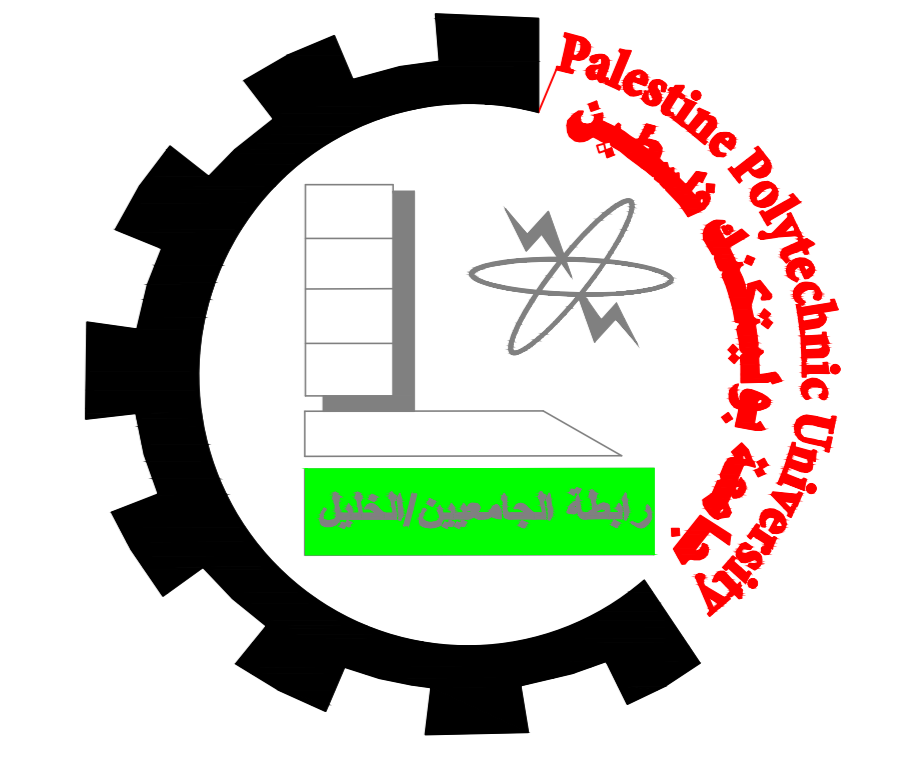
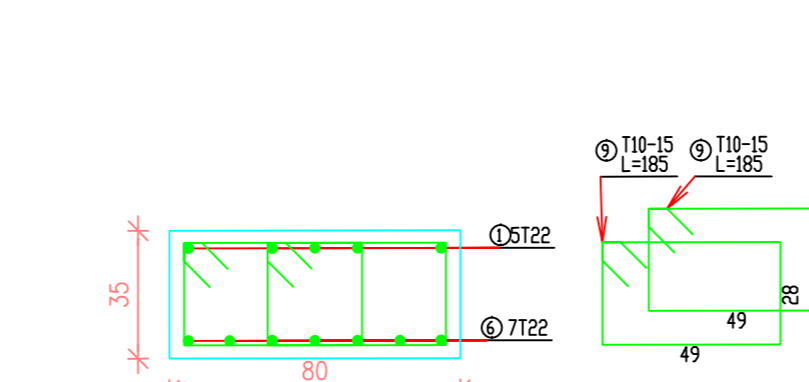
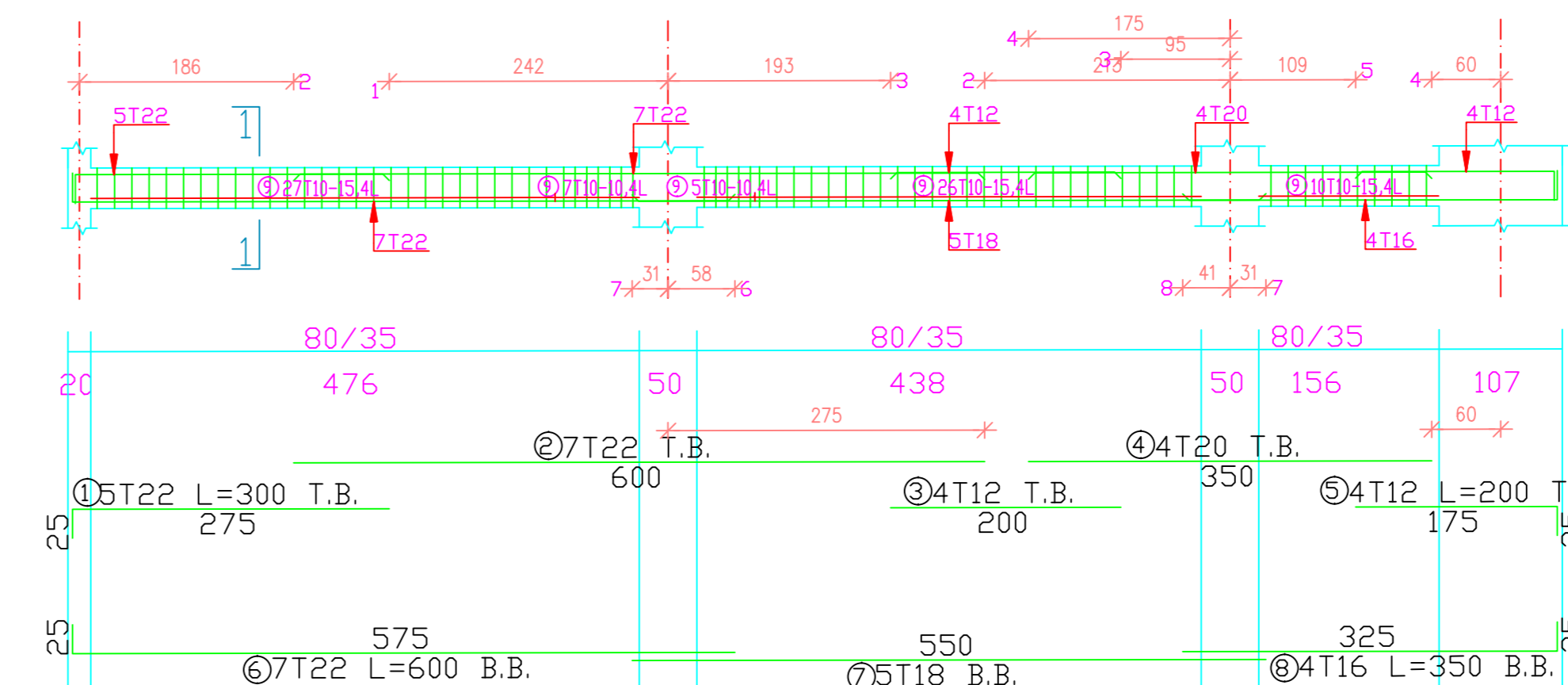
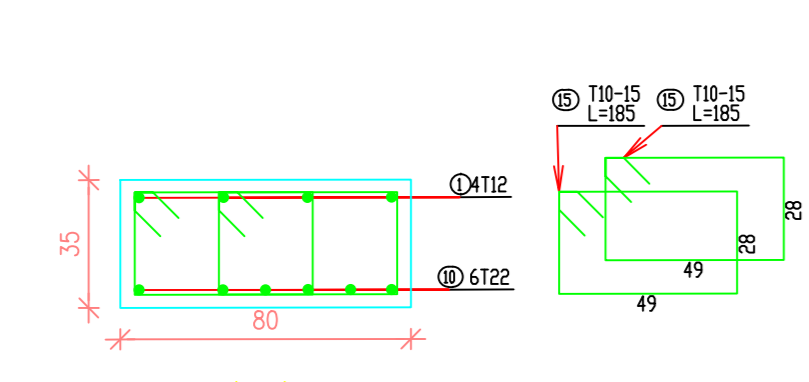
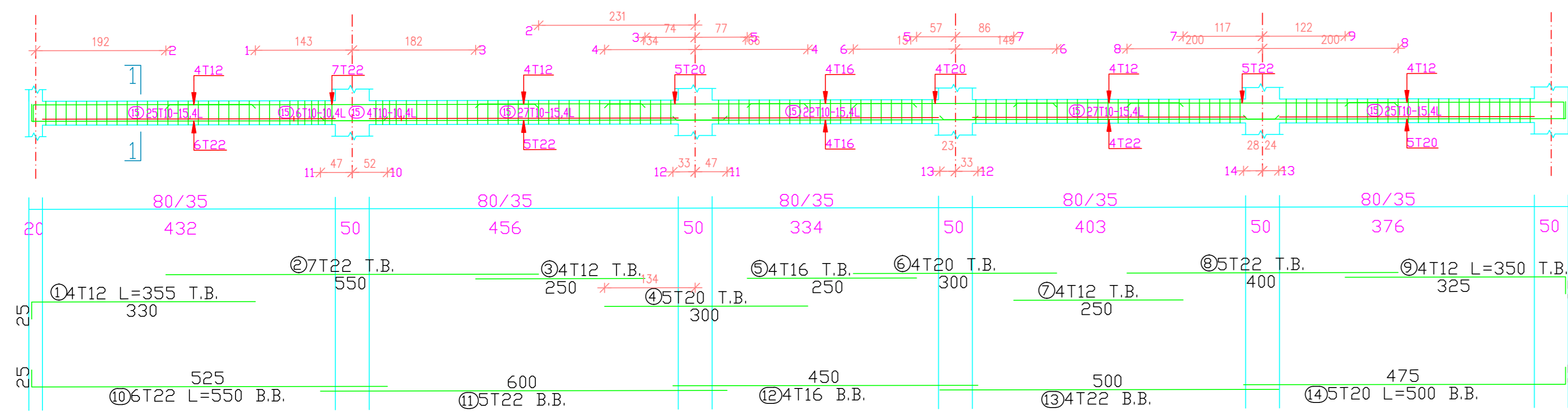
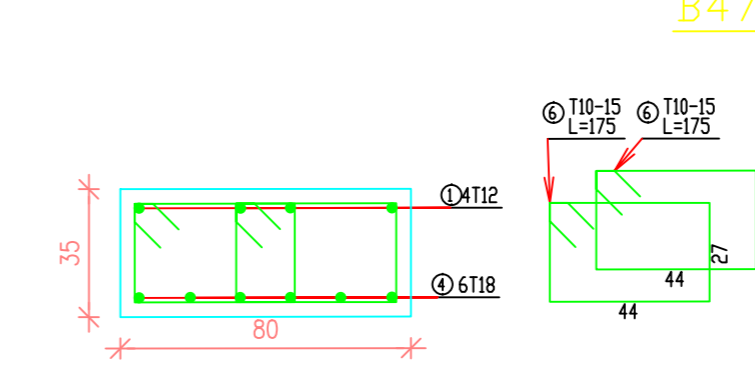
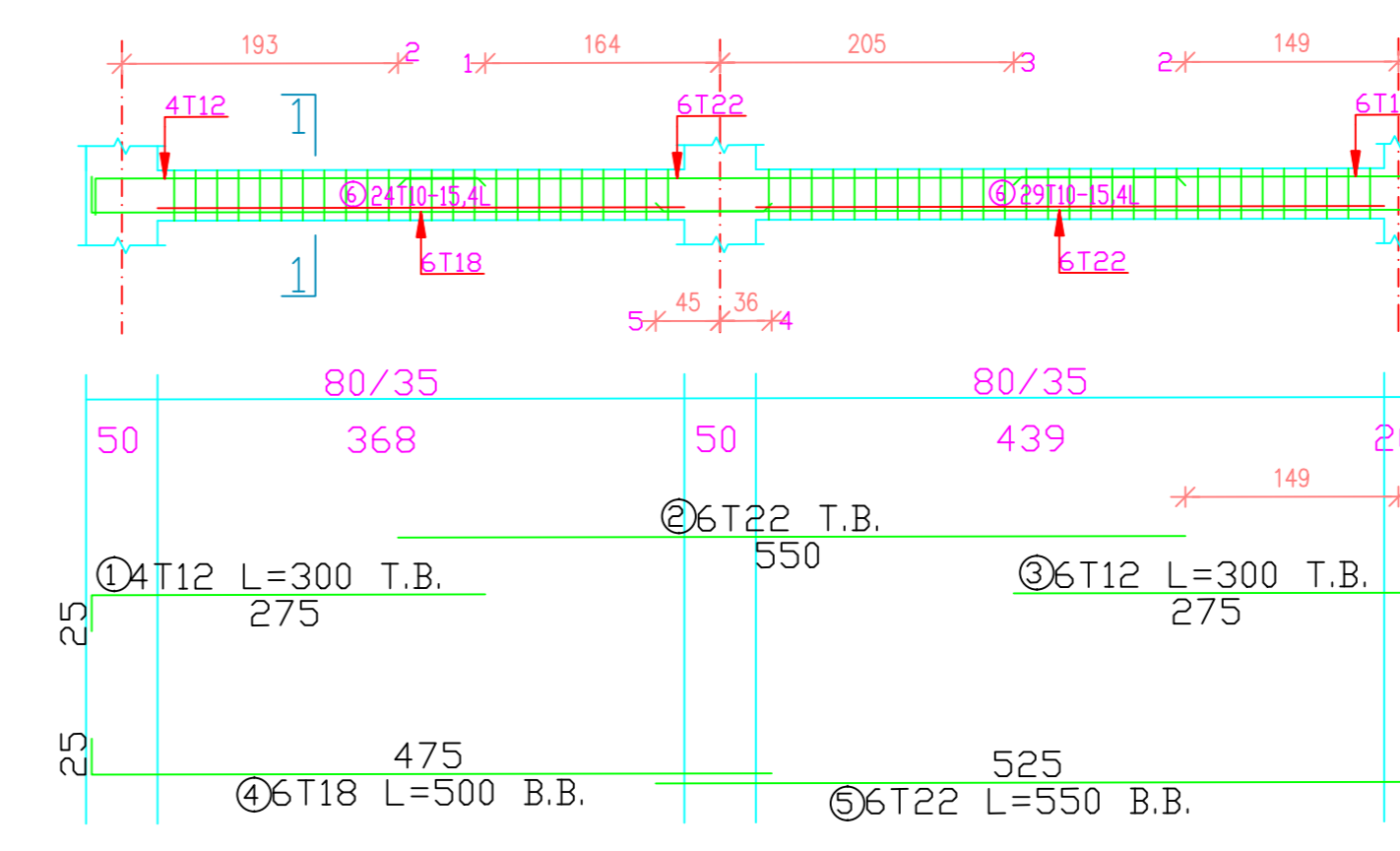
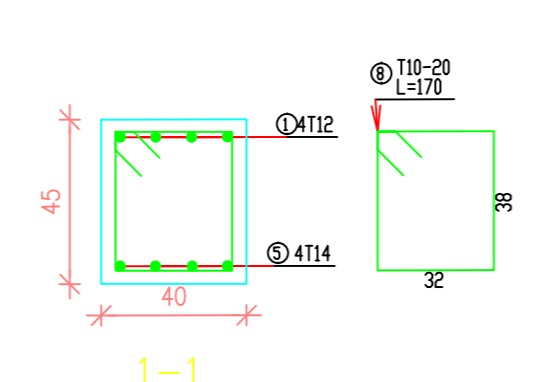
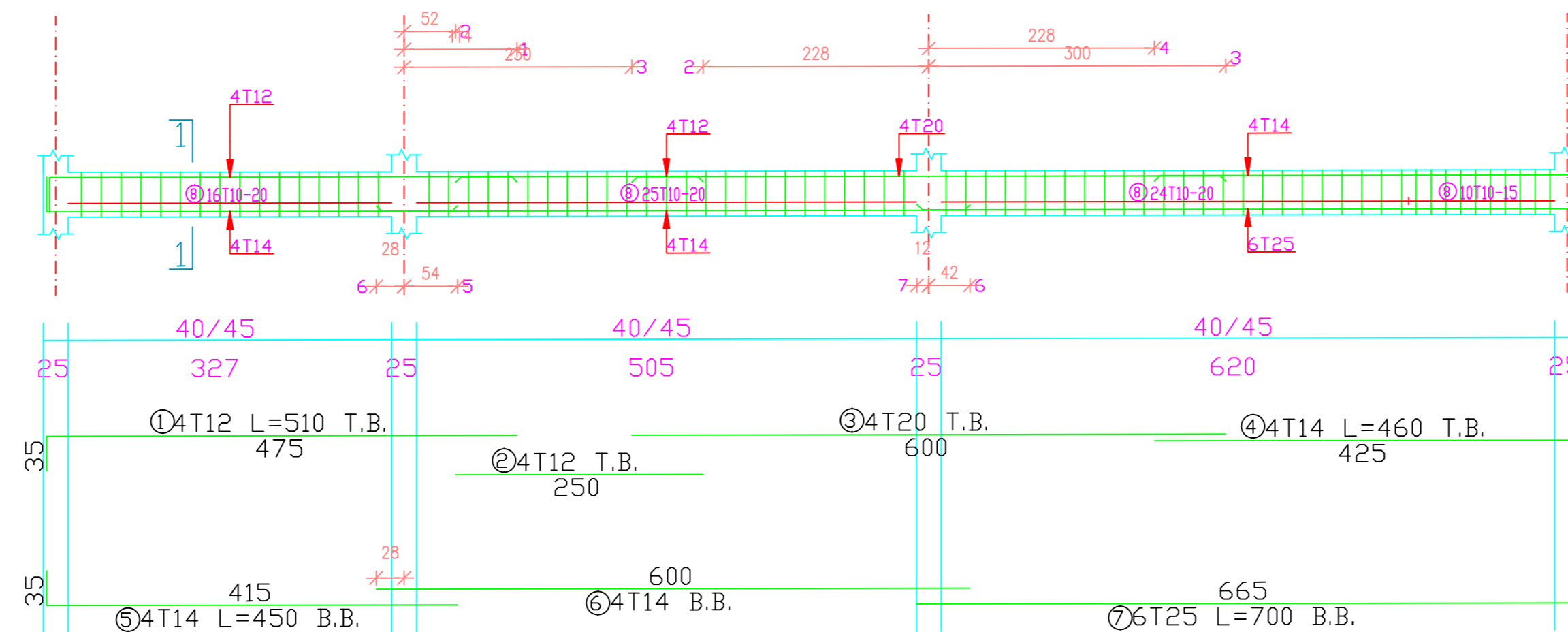
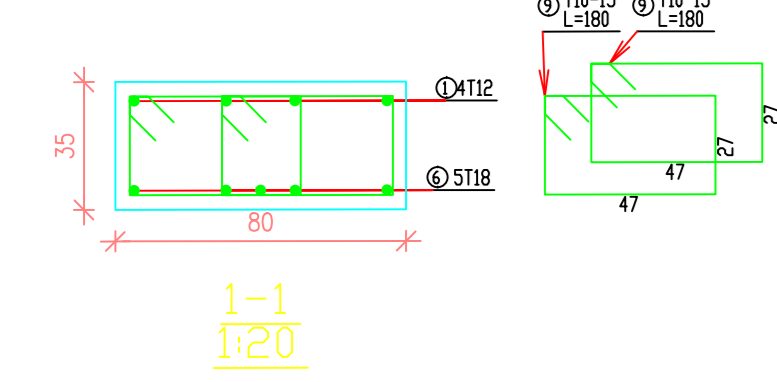
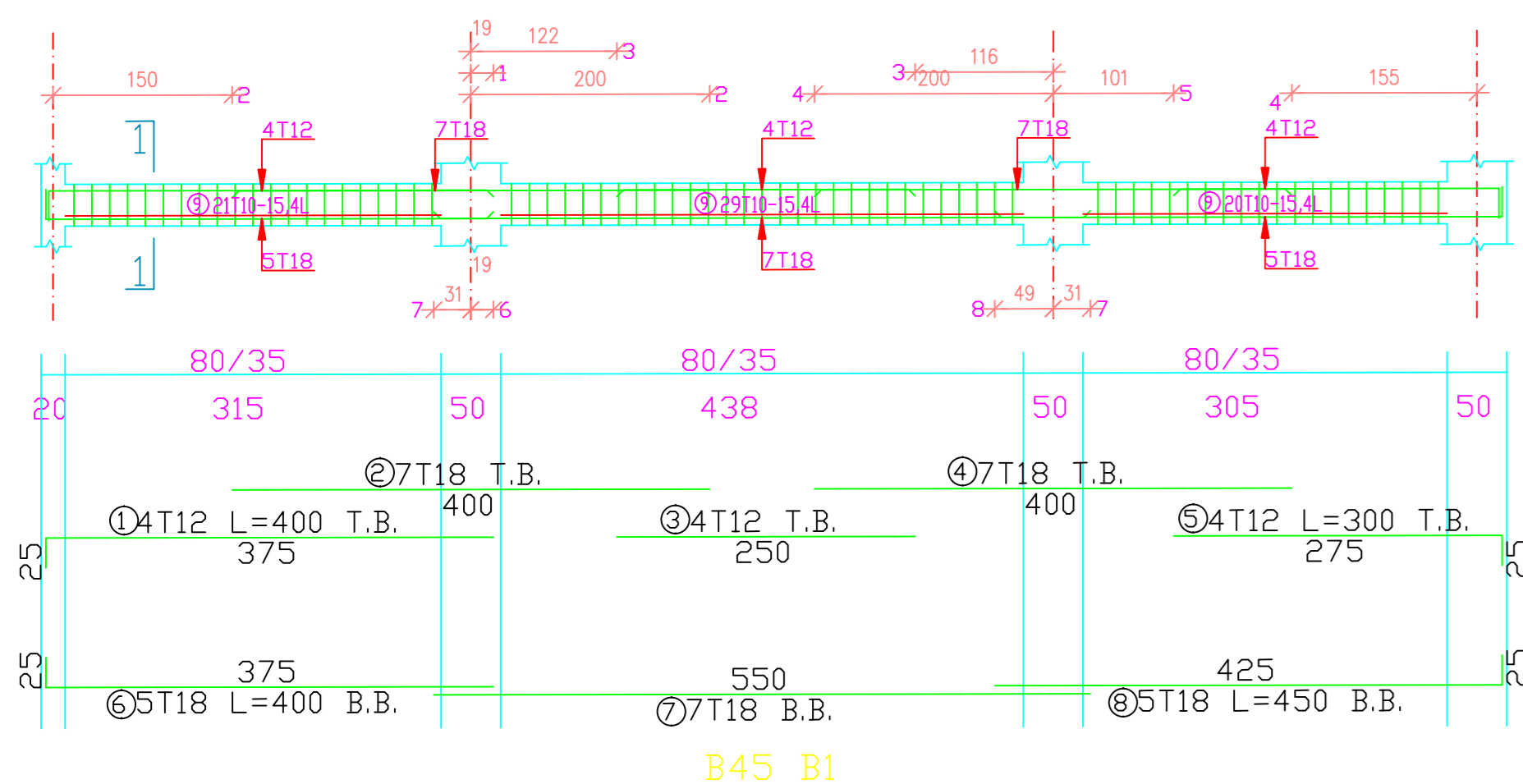
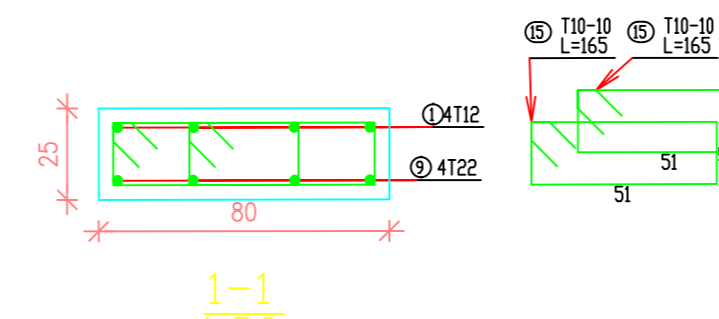
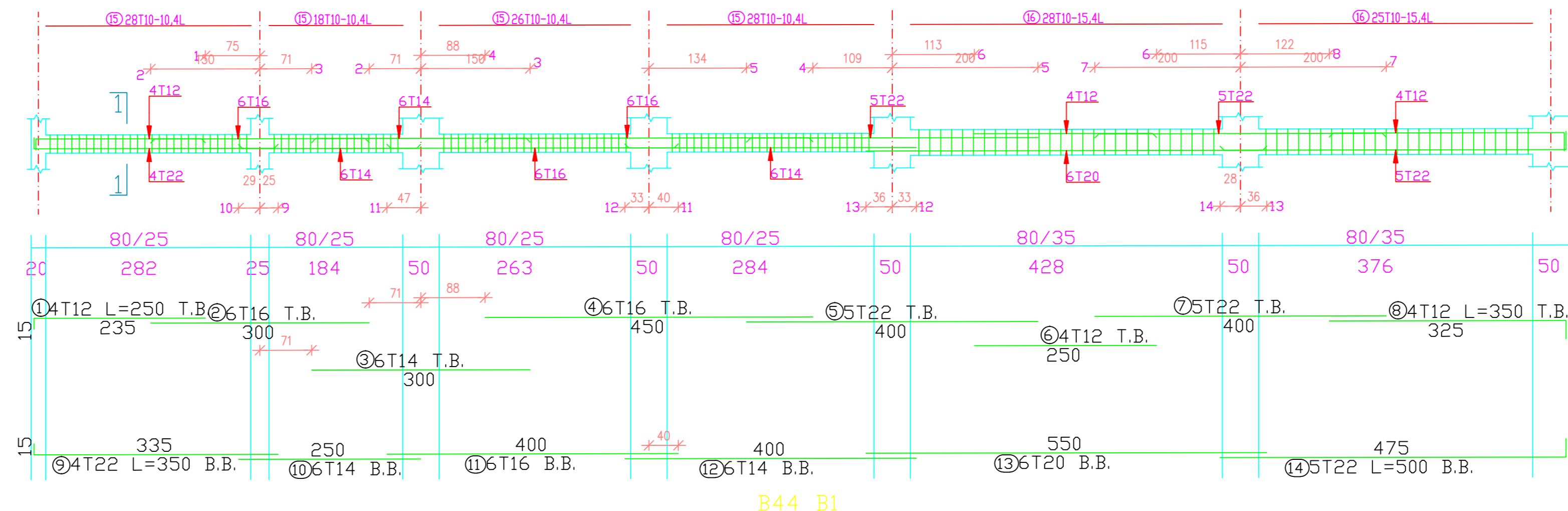
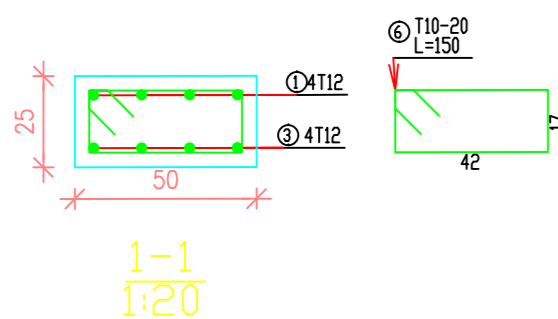
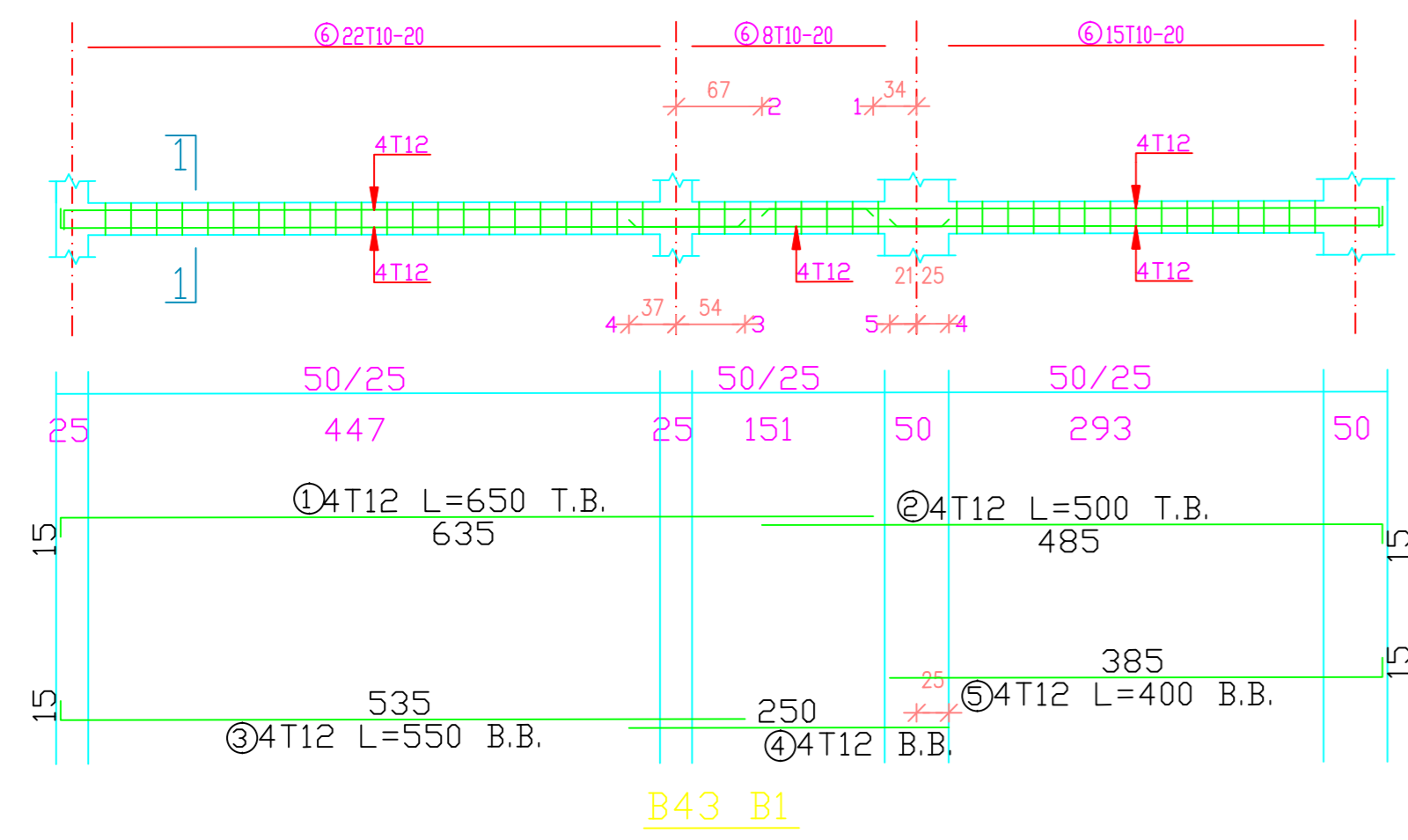
1-1
B41



B42_B1



1-1
B42



NOTES:
All Dimensions are in meters unless otherwise shown.
All spot levels are in meters.

Palestine Polytechnic University
Civil. & Arch. Eng. Department
Building Engineering

Project :
Residential Commercial Building
Designed By :
Feras Abo-Aljaysh
Noor Beiwat
Anas Jobran

Supervisor :
Eng.Mai Haddad

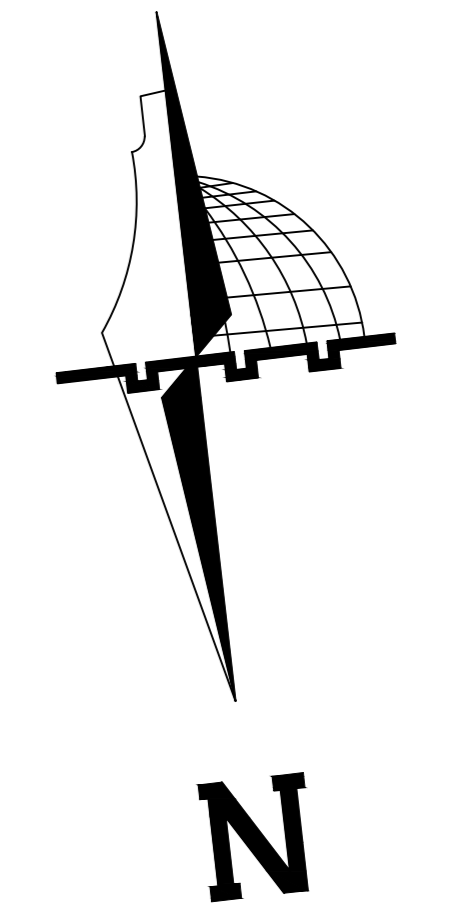
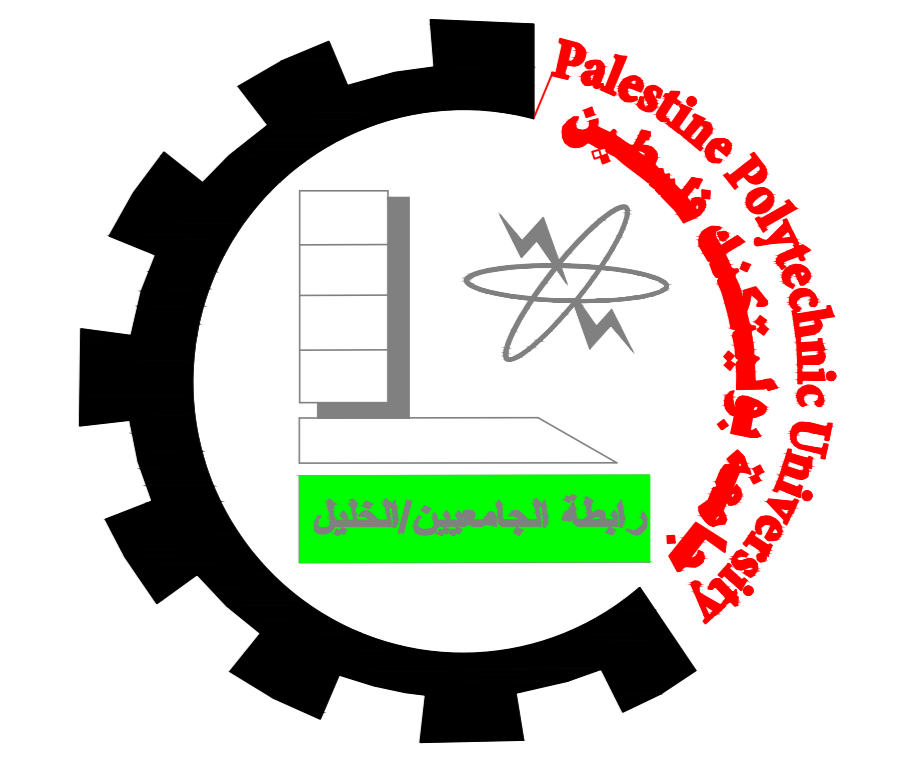
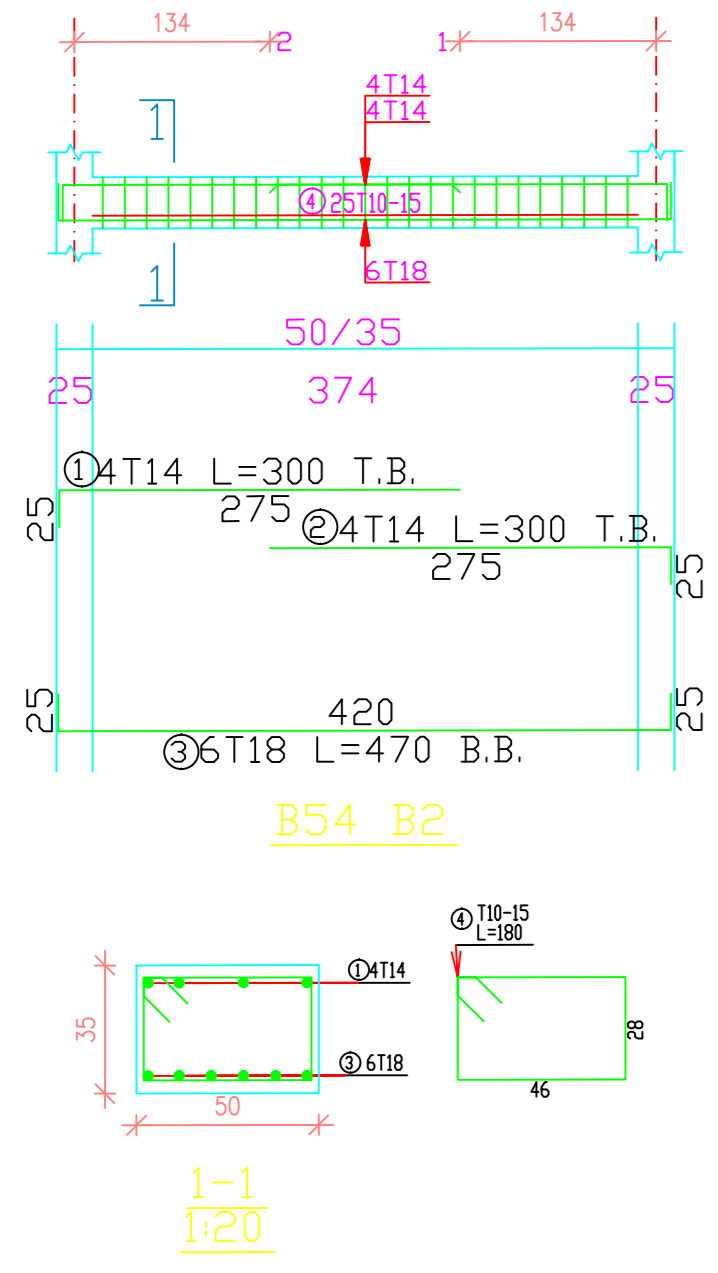
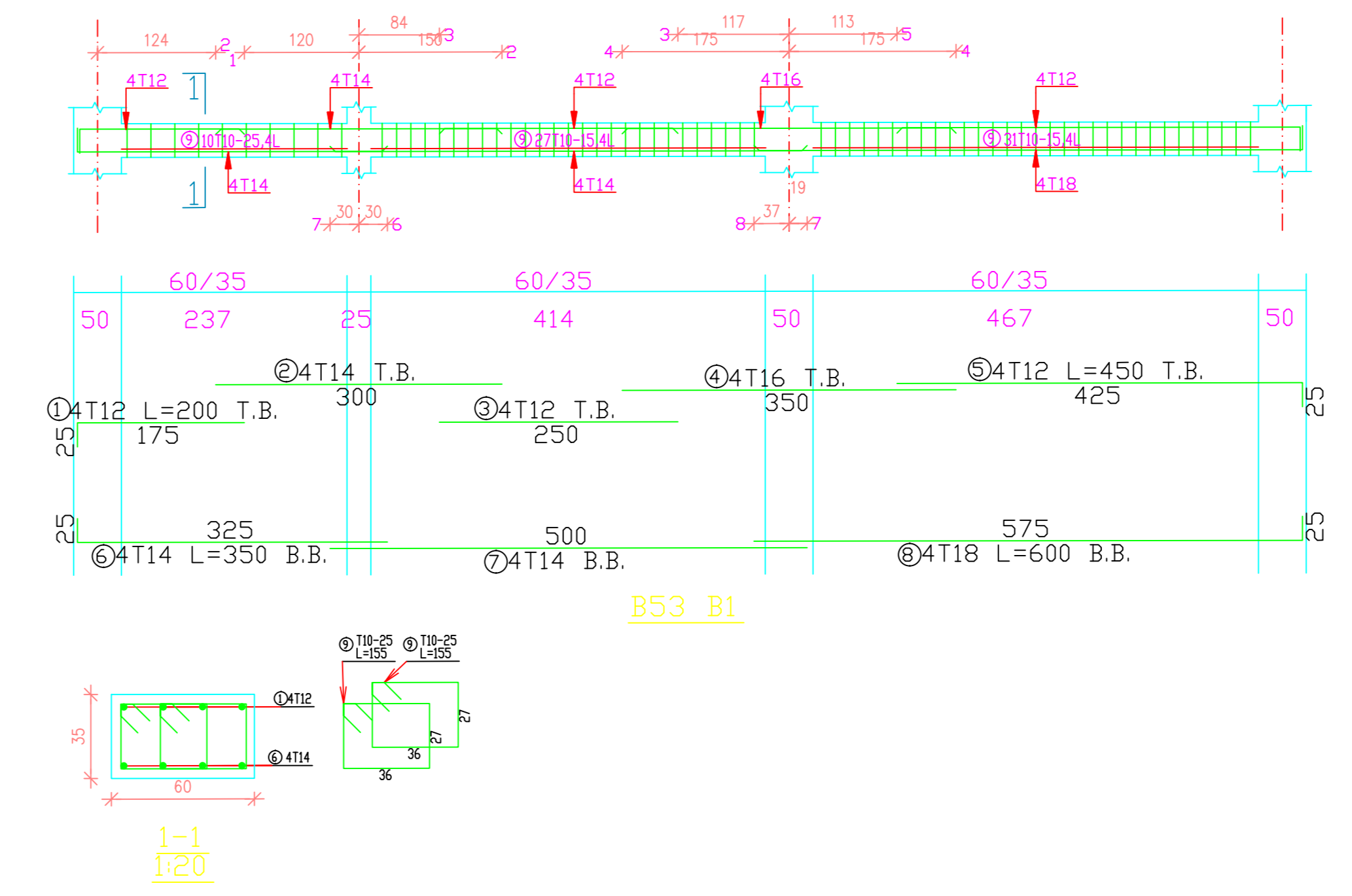
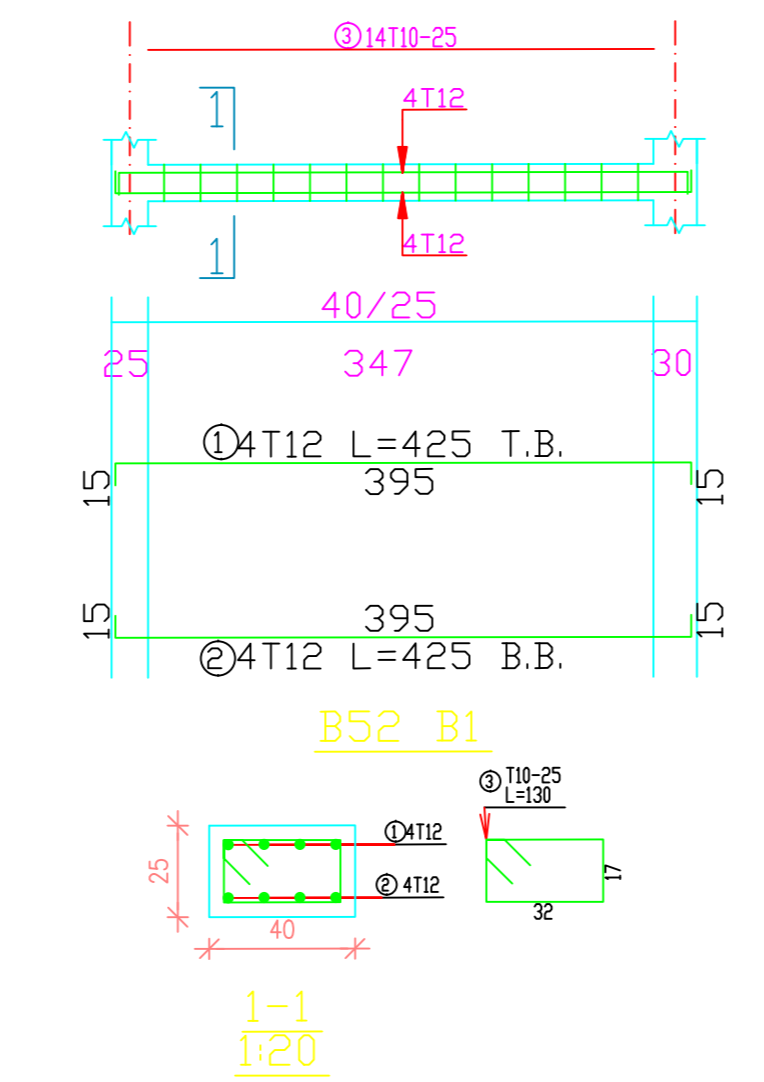
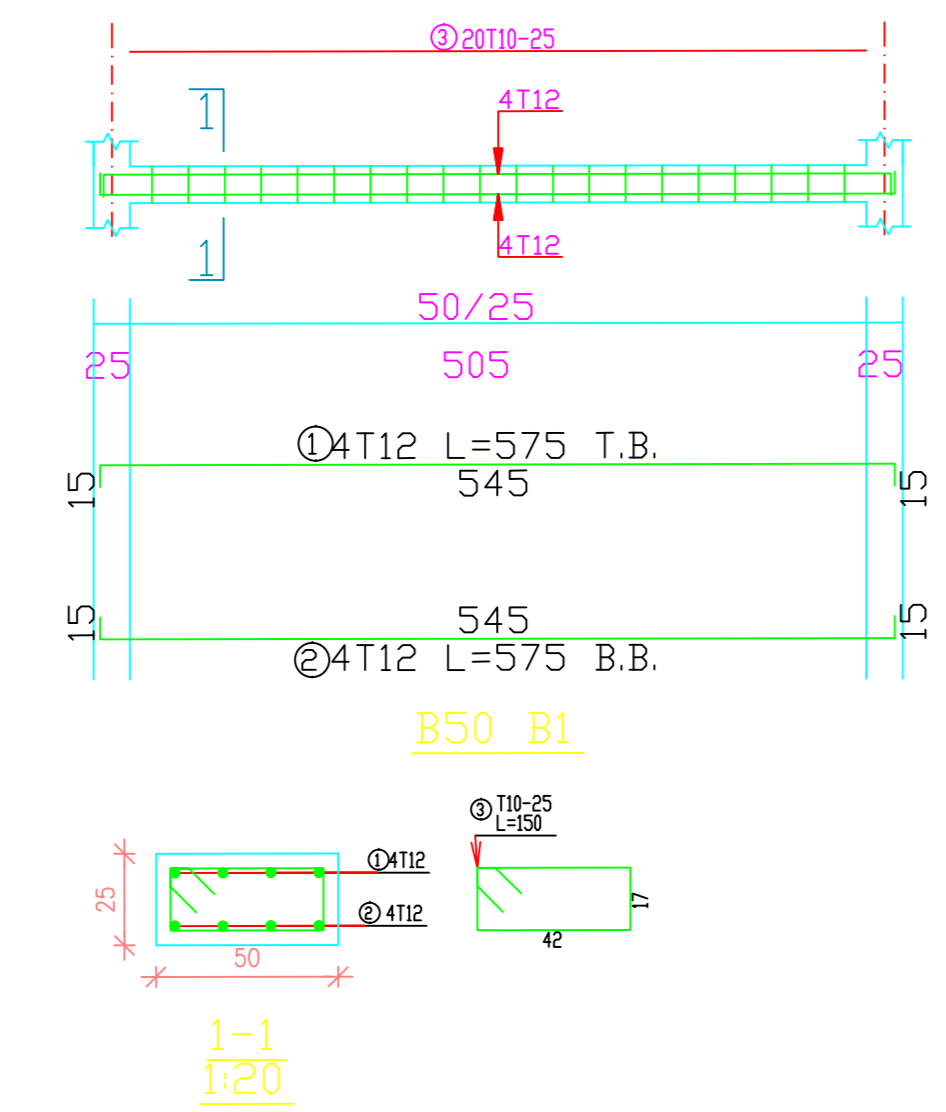
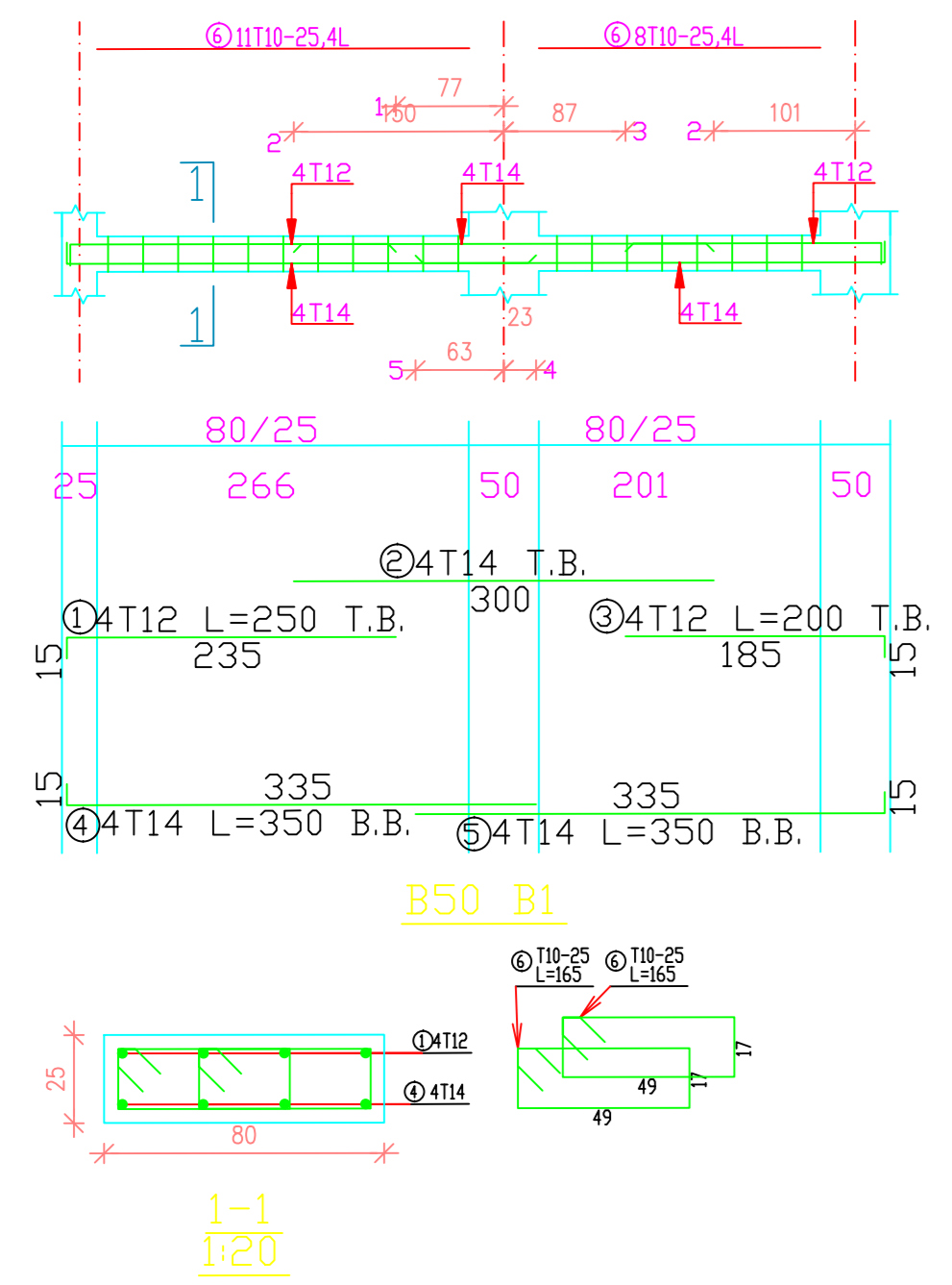
Drawing Title :
Beams Details

Drawing No :
S 31

Date : 2/6/2021

View scale 1/50

Cover 4 cm



NOTES:

All Dimensions are in meters unless otherwise shown.
All spot levels are in meters.

Palestine Polytechnic University
Civil. & Arch. Eng. Department
Building Engineering

Project:
Residential Commercial Building

Designed By:
Feras Abo-Aljraysh
Noor Beiwat
Anas Jobran

Supervisor:
Eng.Mai Haddad

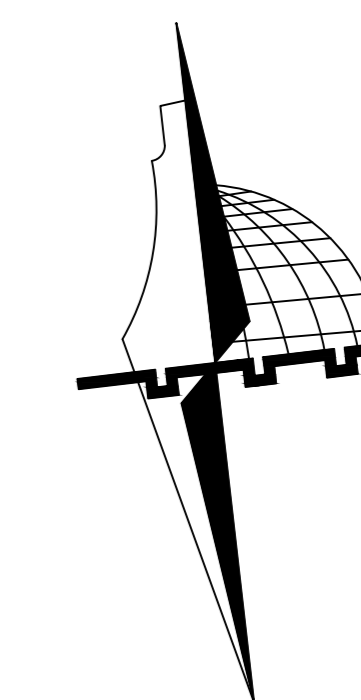
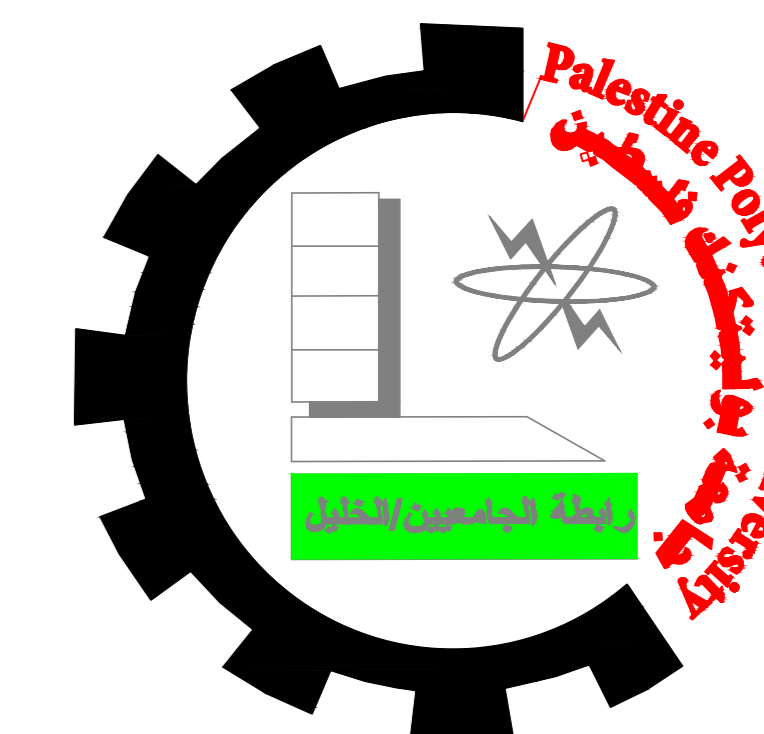
Drawing Title:
Beams Details

Drawing No.:
S 32

Date: 2/6/2021

View scale: 1/50

Cover: 4 cm



N

NOTES:

All Dimensions are in meters unless otherwise shown.

All spot levels are in meters.

Palestine Polytechnic University
Civil. & Arch. Eng. Department
Building Engineering

Project :

Residential Commercial Building

Designed By :

Feras Abo-Aljaysh
 Noor Beiwat
 Anas Jobran

Supervisor :

Eng.Mai Haddad

Drawing Title :

Beams Details

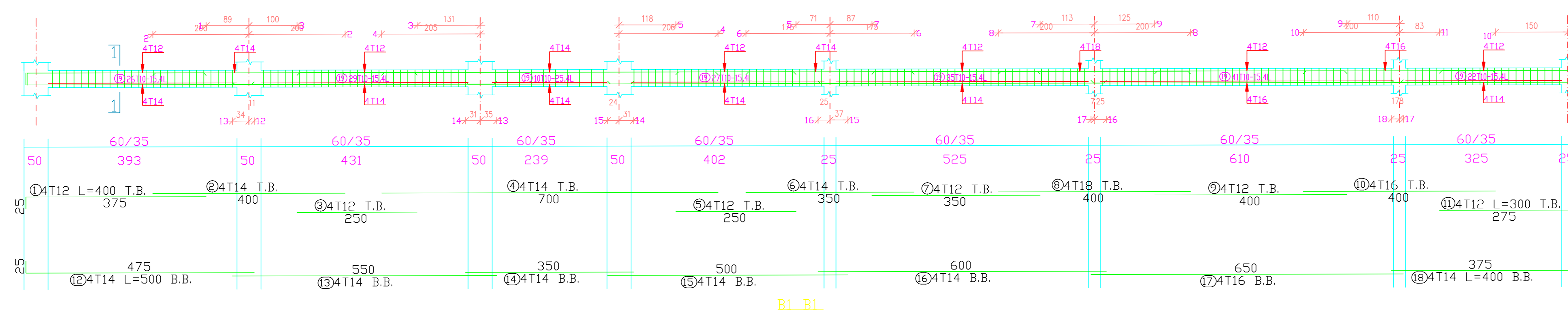
Drawing No :

S 33

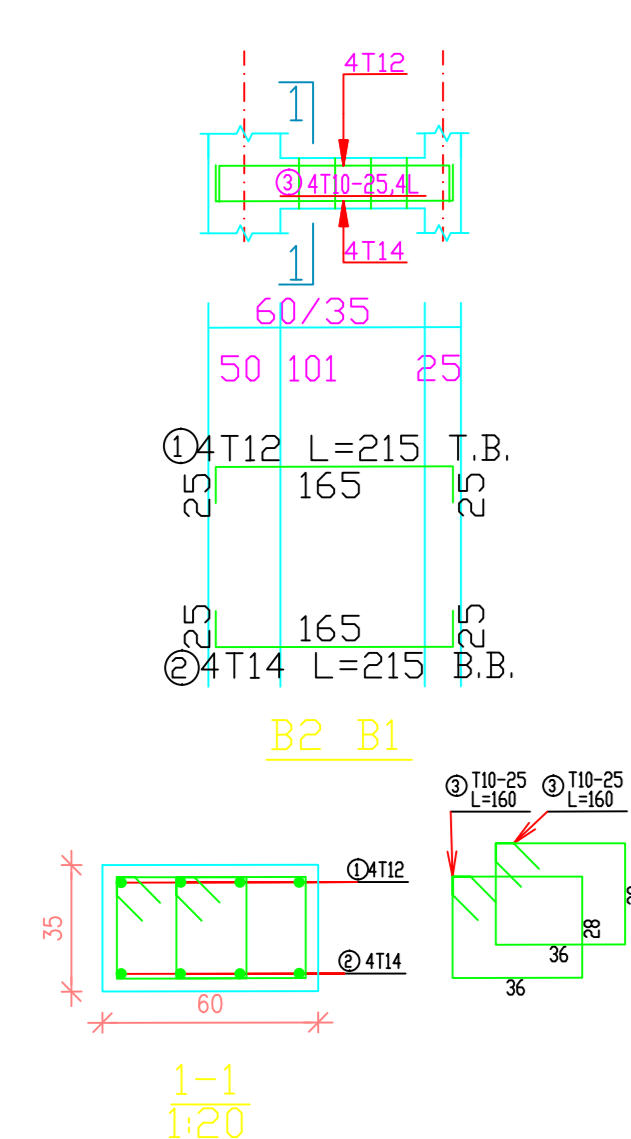
Date : 2/6/2021

View scale 1/50

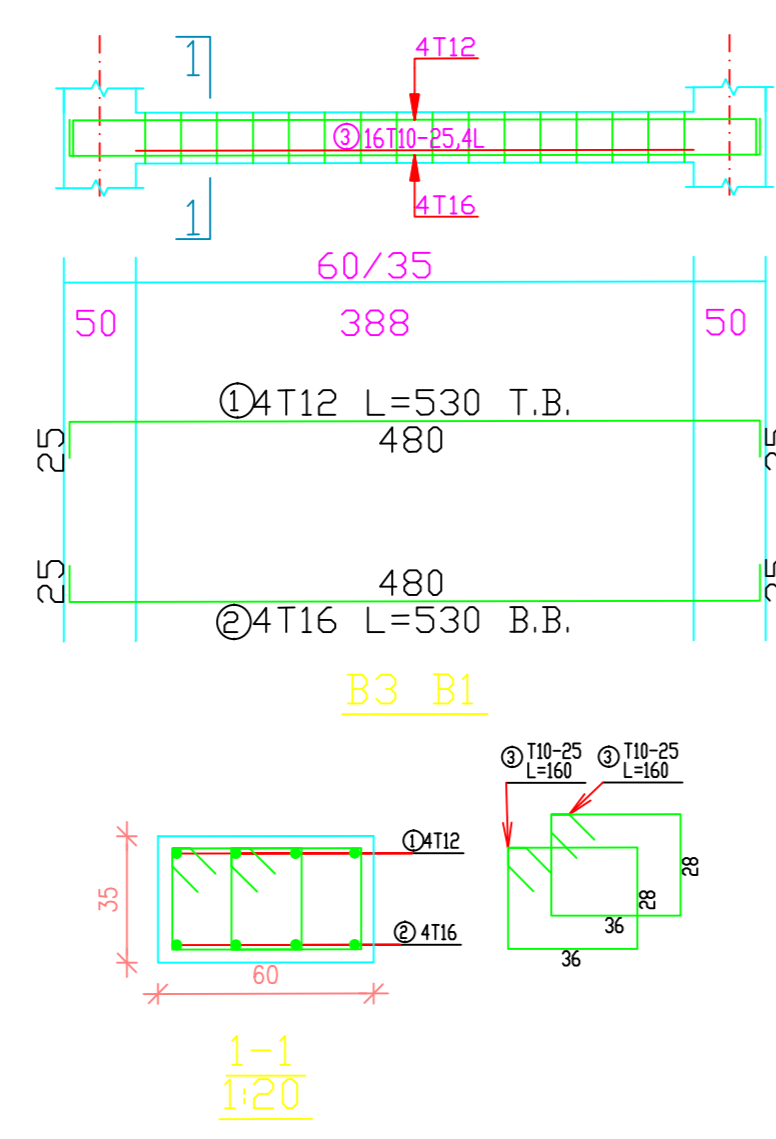
Cover 4 cm



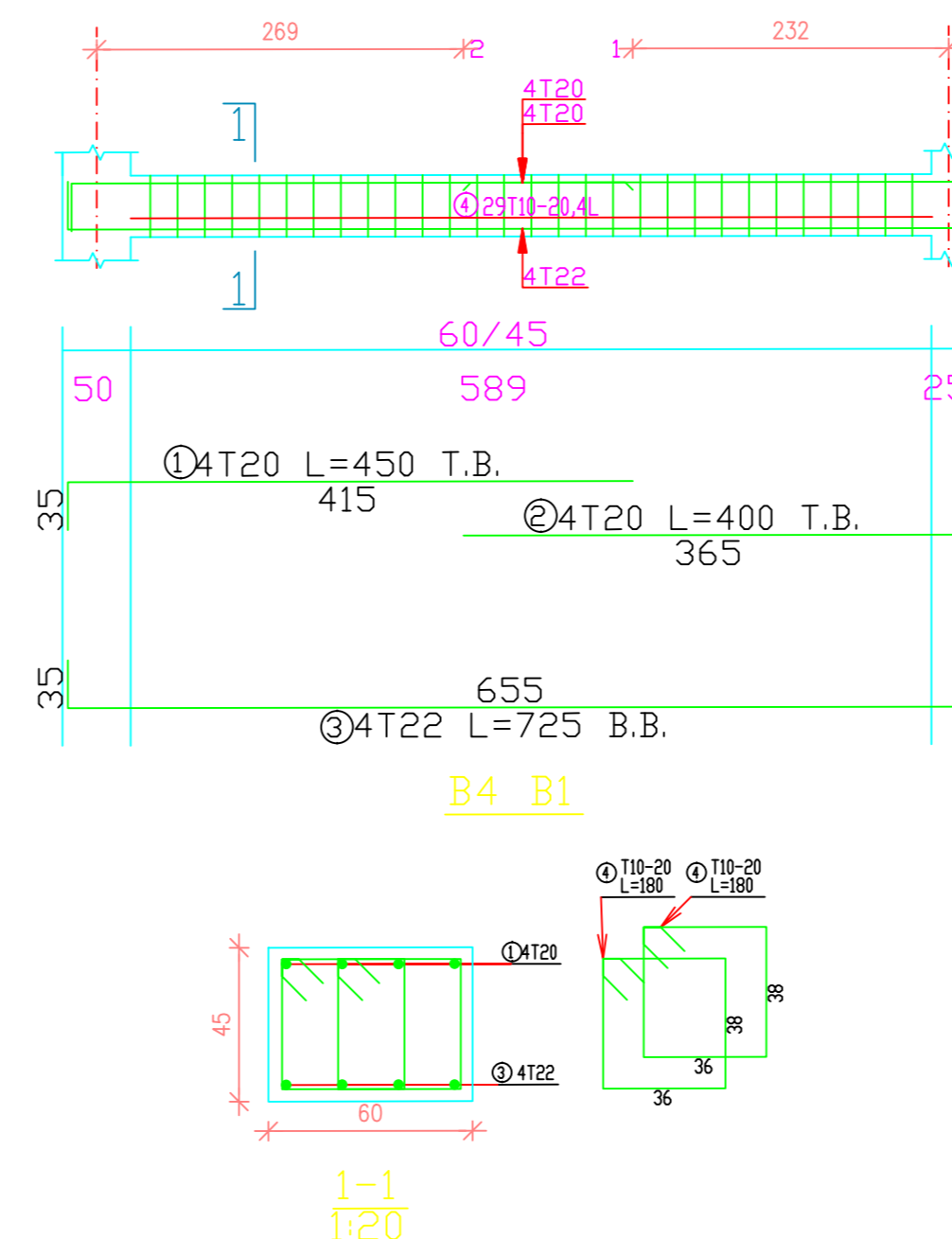
B1_B1



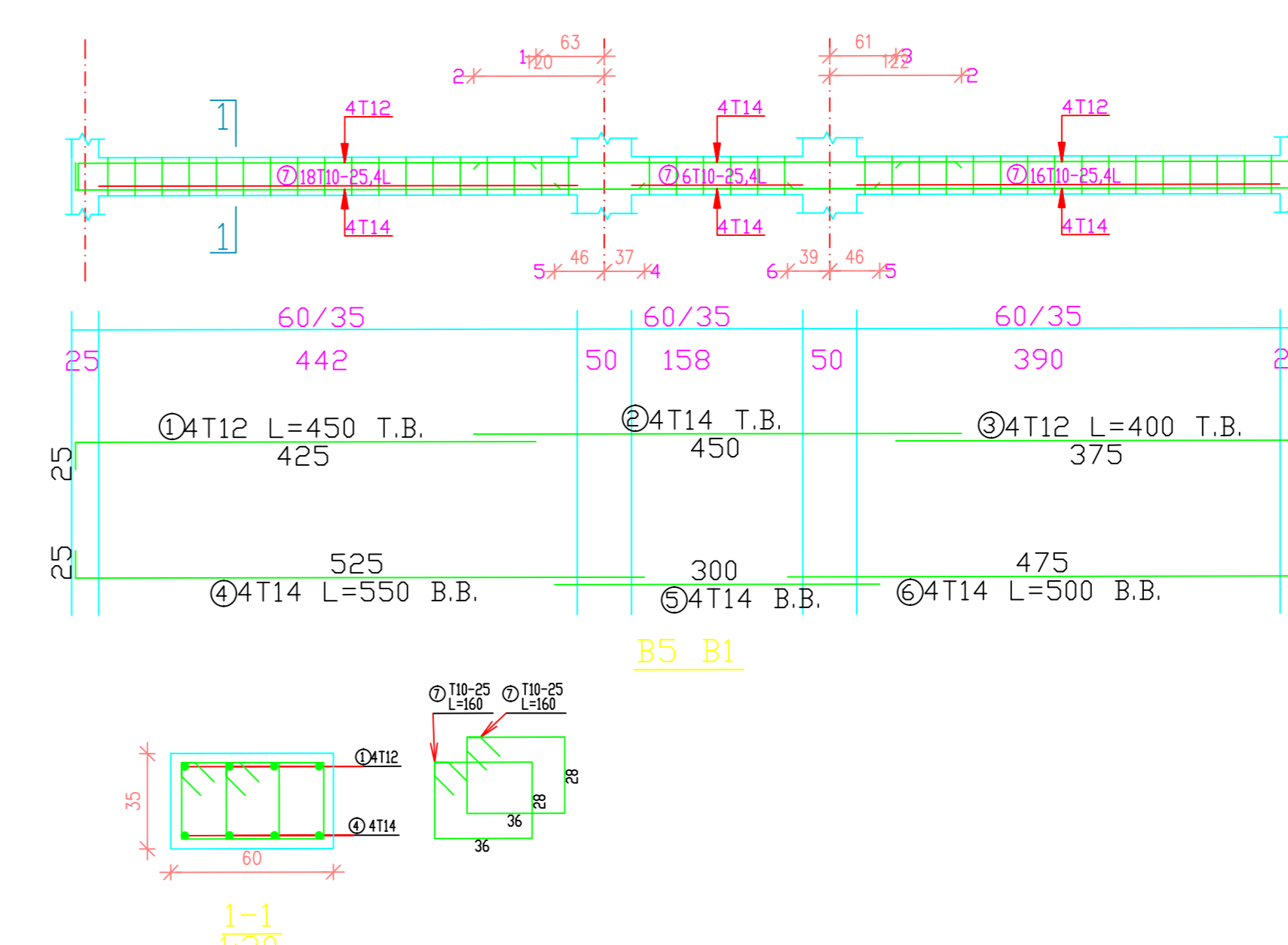
B2_B1



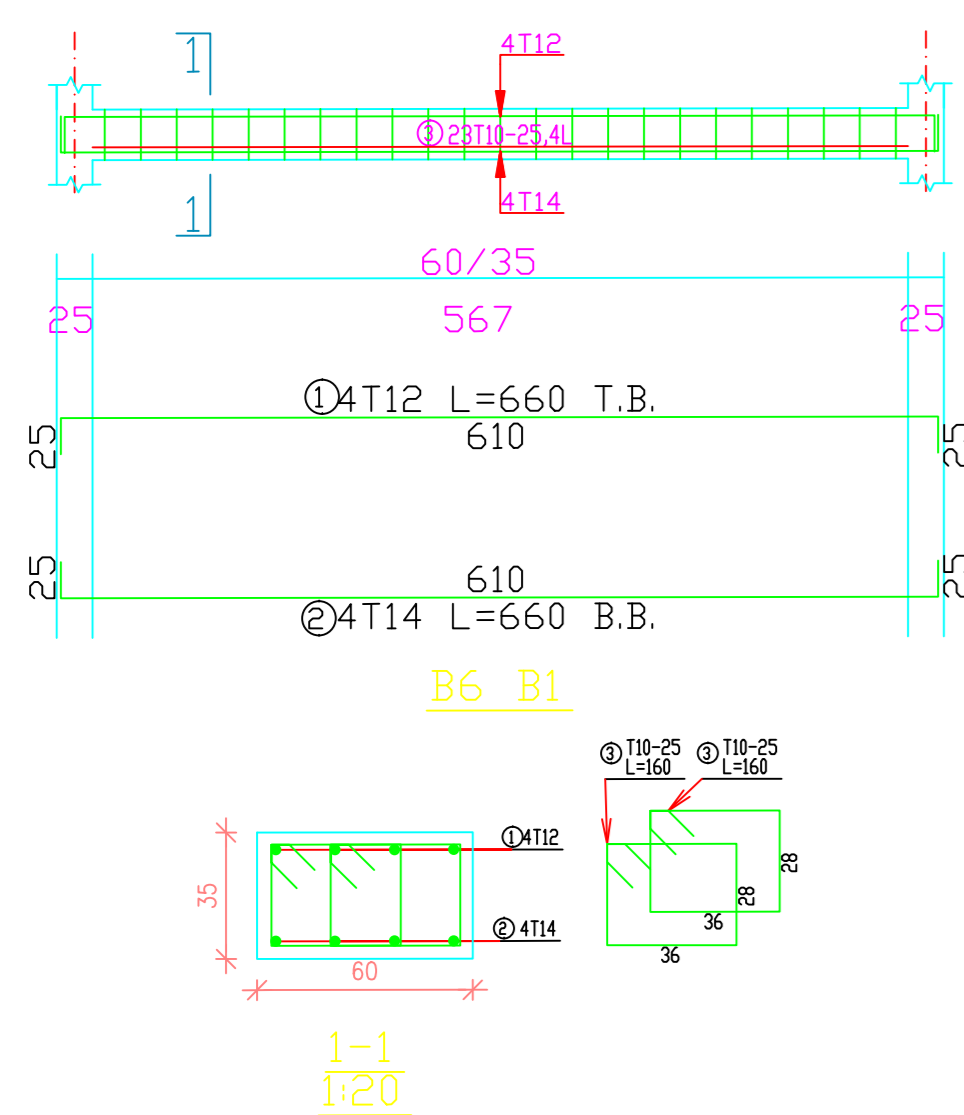
B3_B1



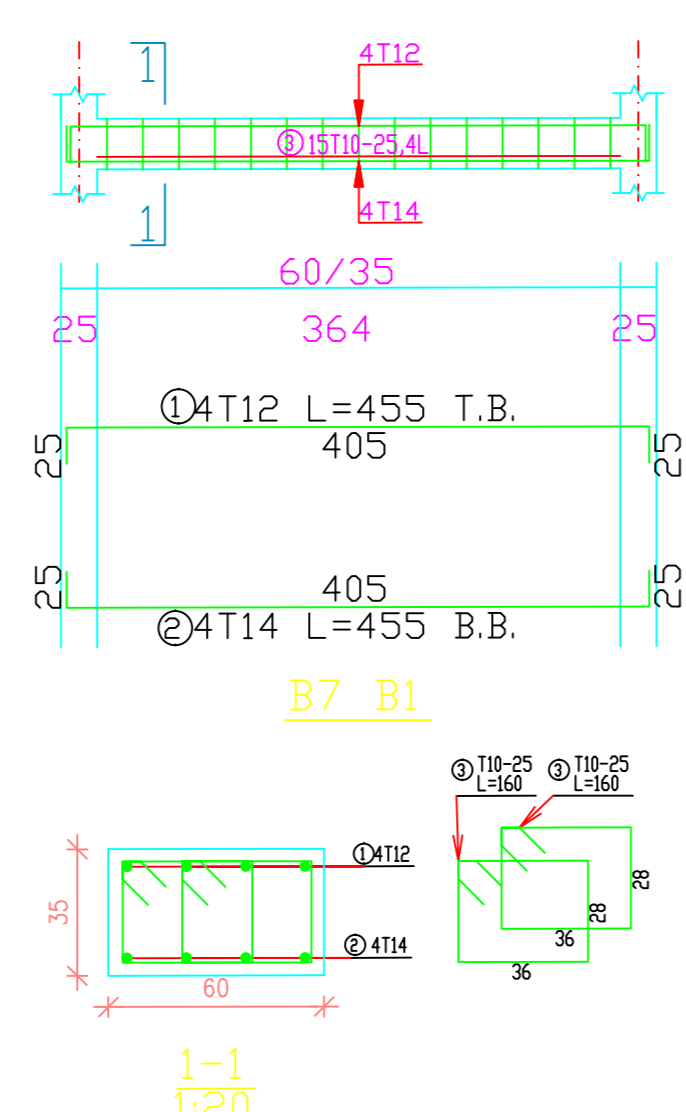
B4_B1



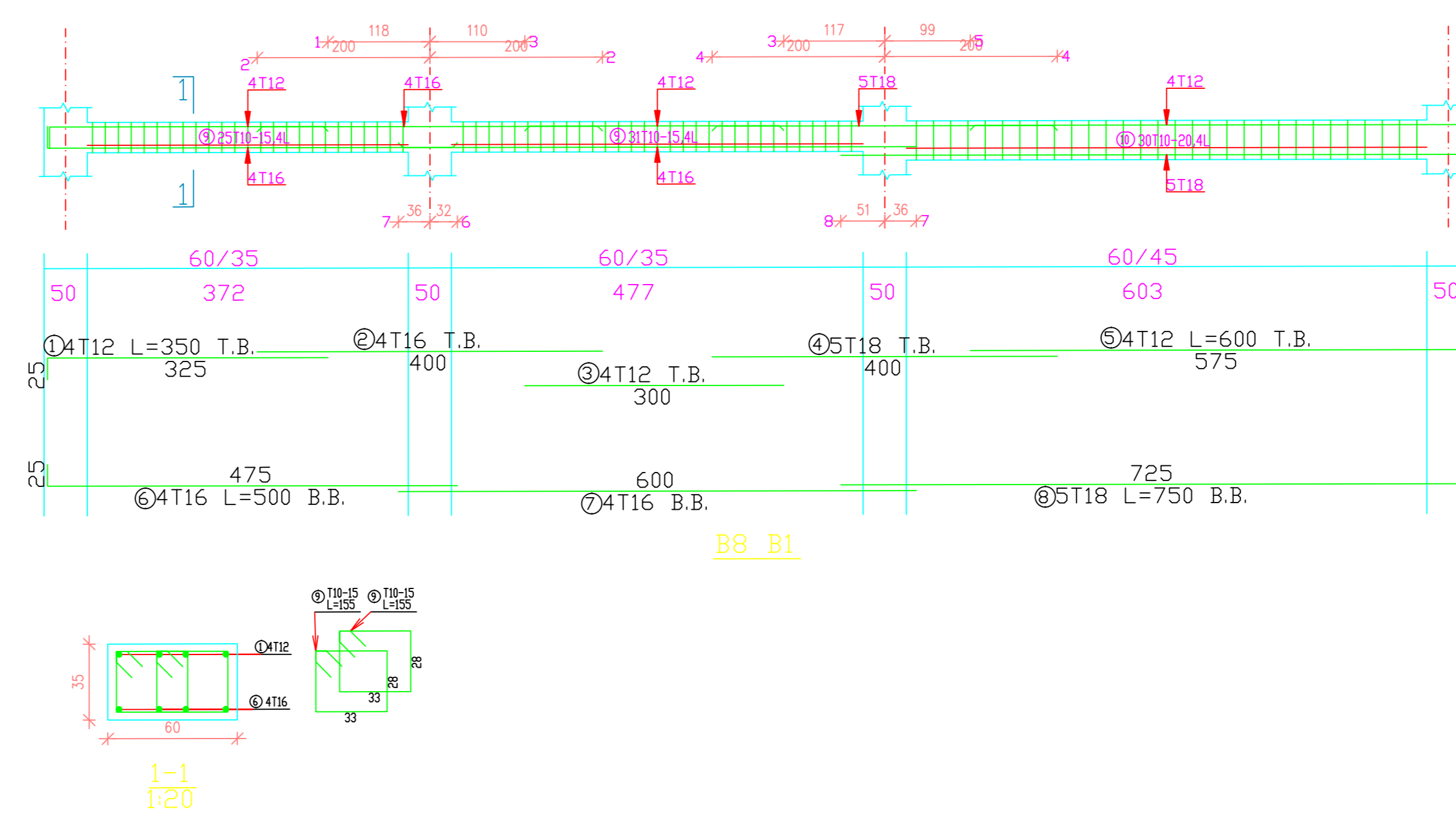
B5_B1



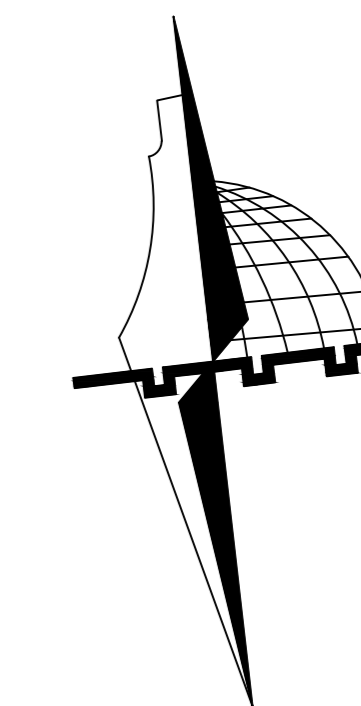
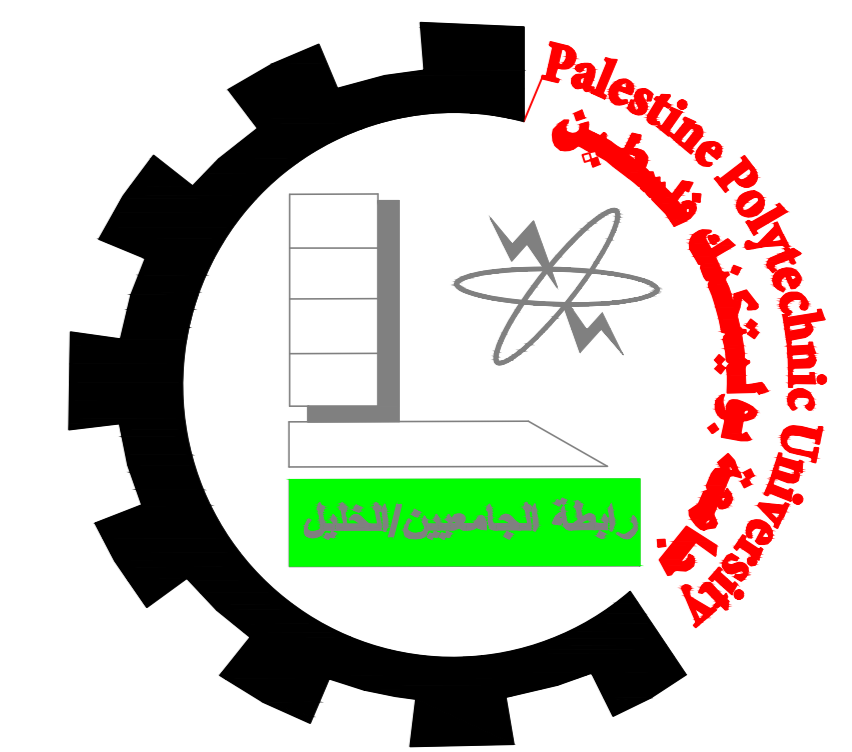
B6_B1



B7_B1



B8_B1



N

NOTES:

All Dimensions are in meters unless otherwise shown.

All spot levels are in meters.

Palestine Polytechnic University
Civil. & Arch. Eng. Department
Building Engineering

Project :

Residential Commercial Building

Designed By :

Feras Abo-Aljaysh
Noor Beiwat
Anas Jobran

Supervisor :

Eng.Mai Haddad

Drawing Title :

Beams Details

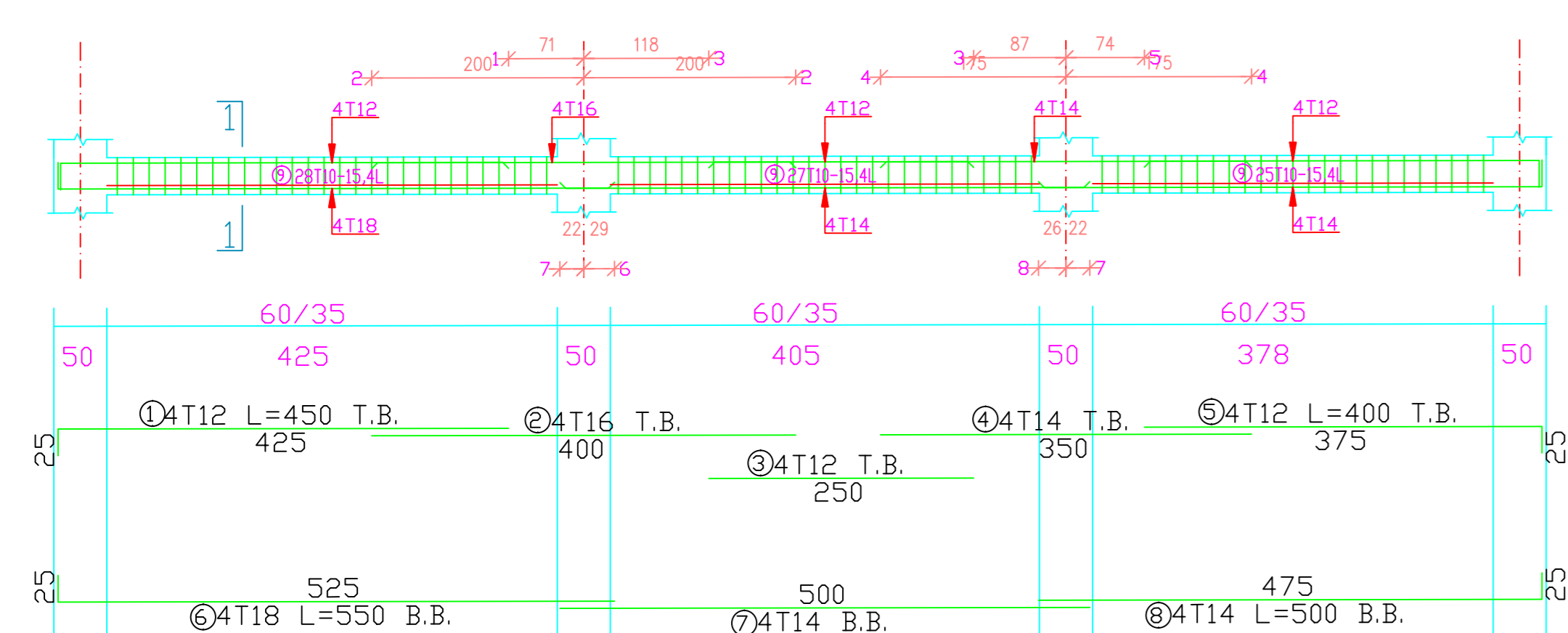
Drawing No :

S 34

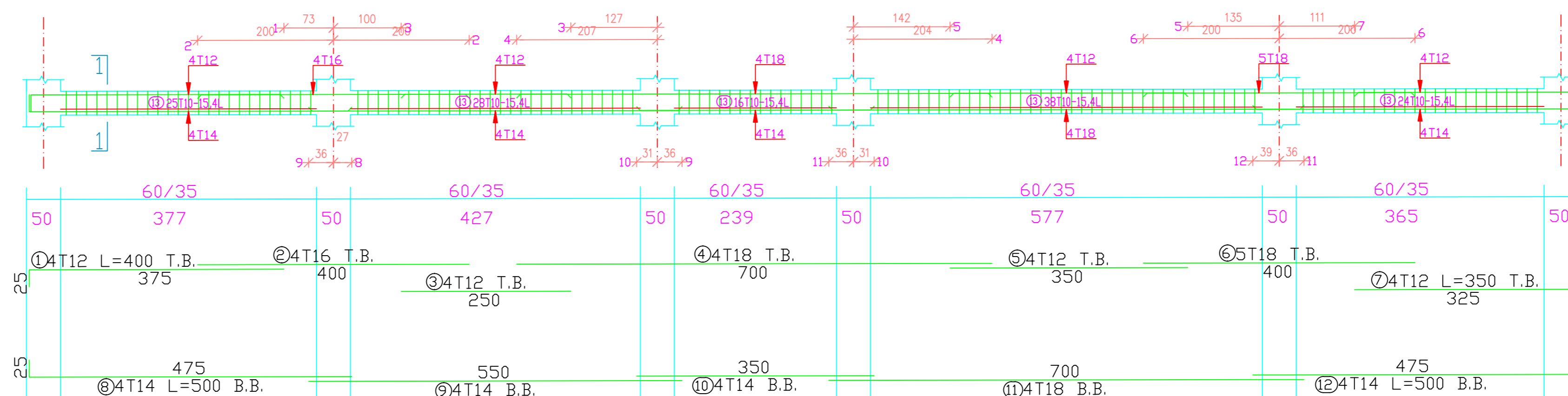
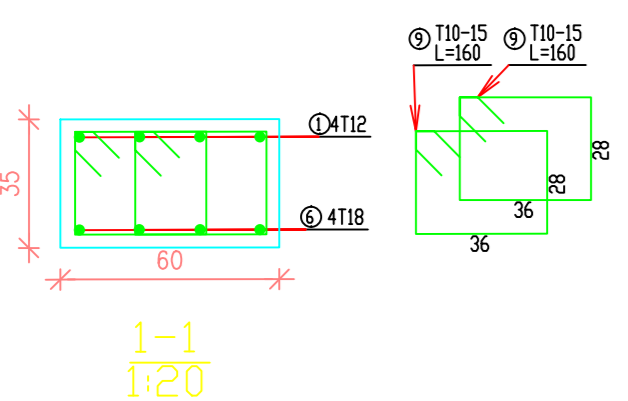
Date : 2/6/2021

View scale 1/50

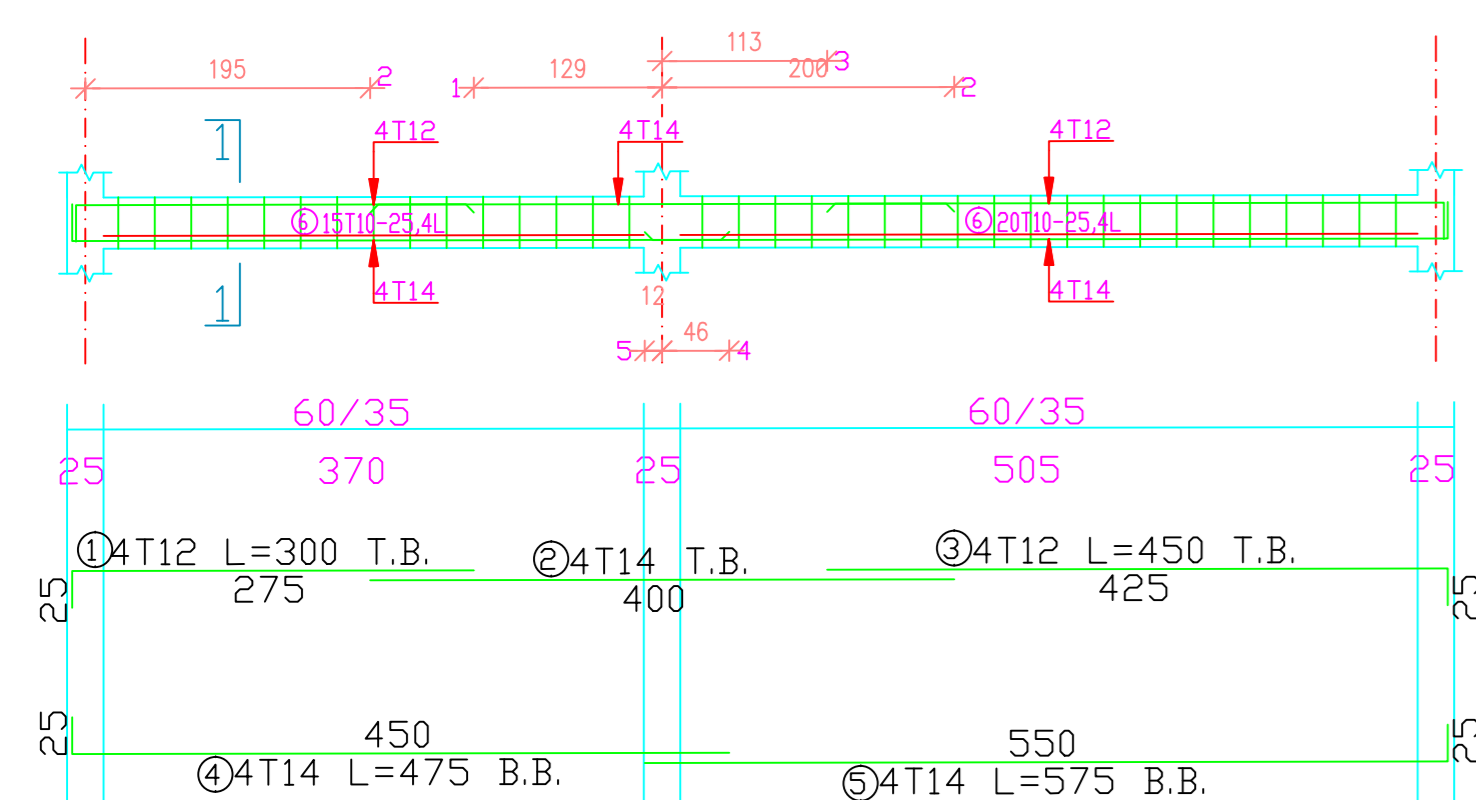
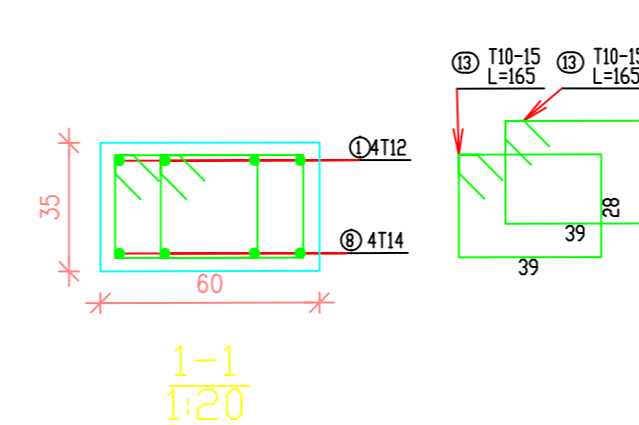
Cover 4 cm



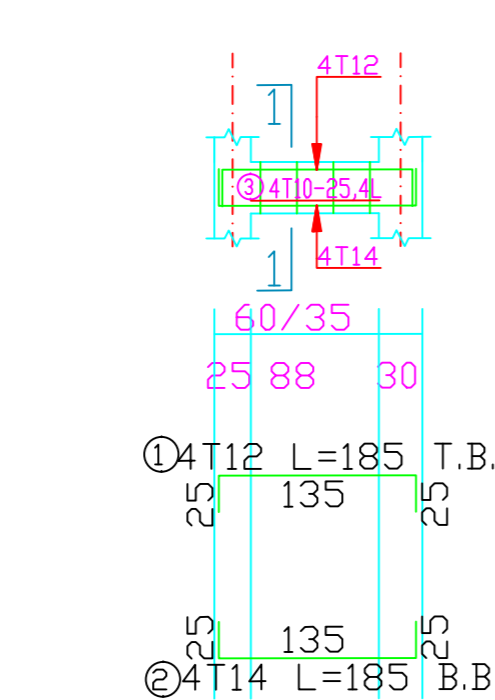
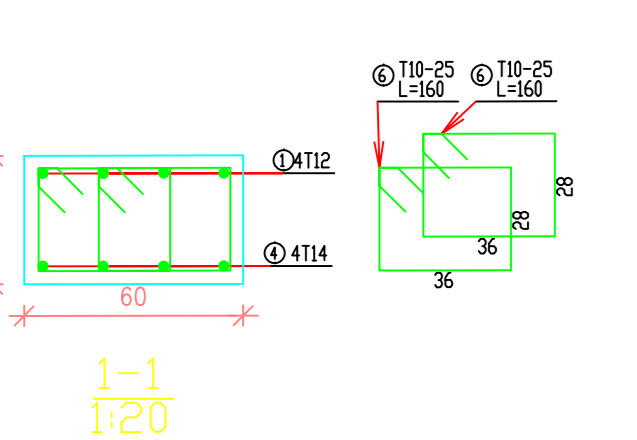
B9_B1



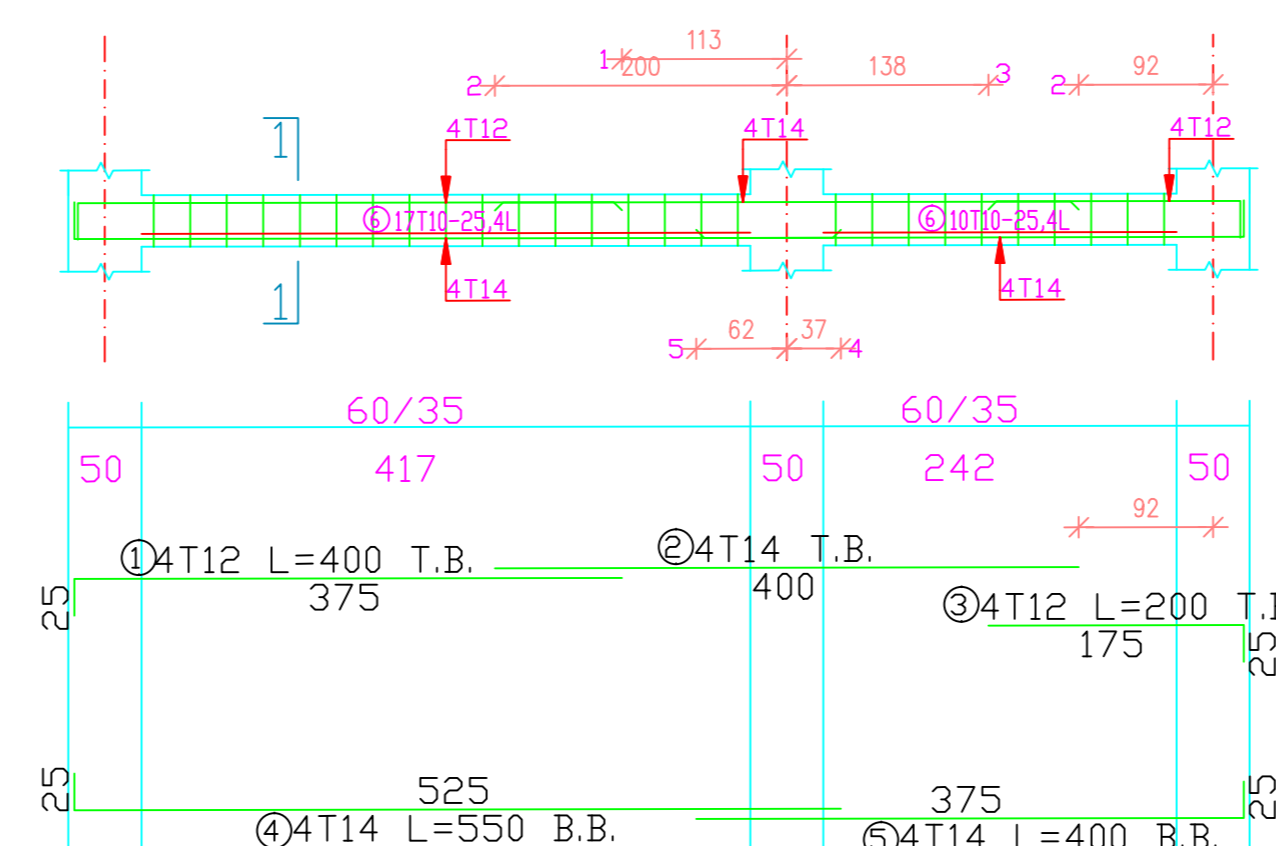
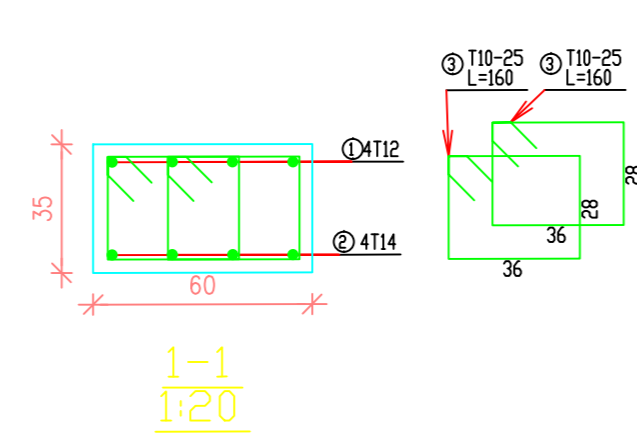
B10_B1



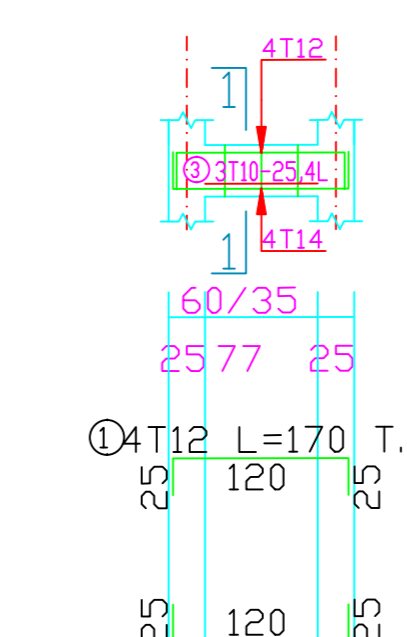
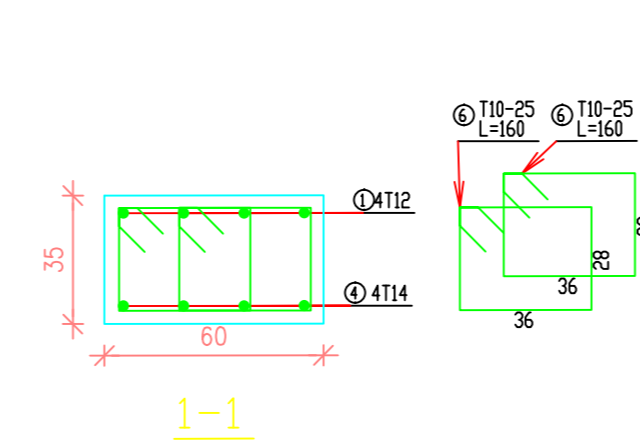
B11_B1



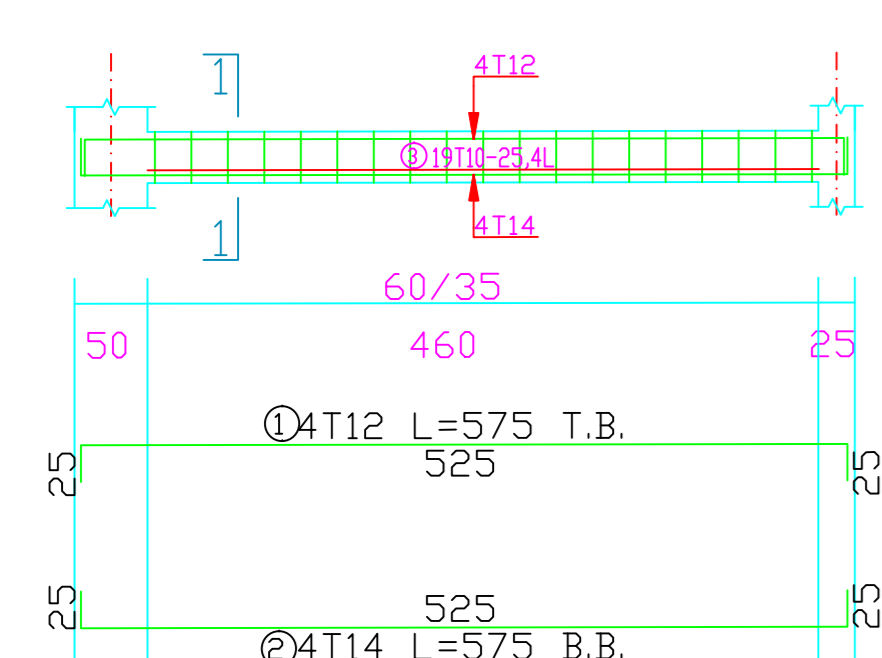
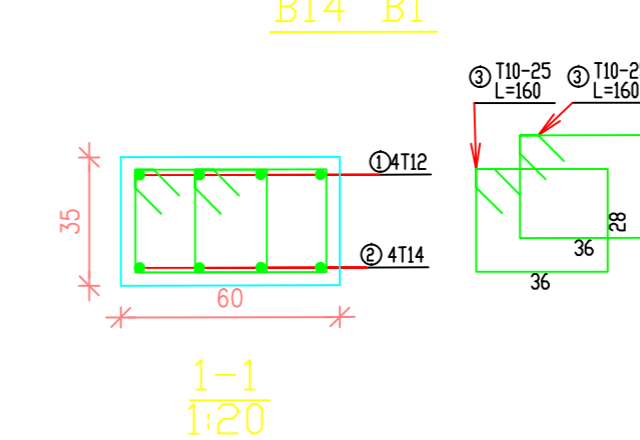
B12_B1



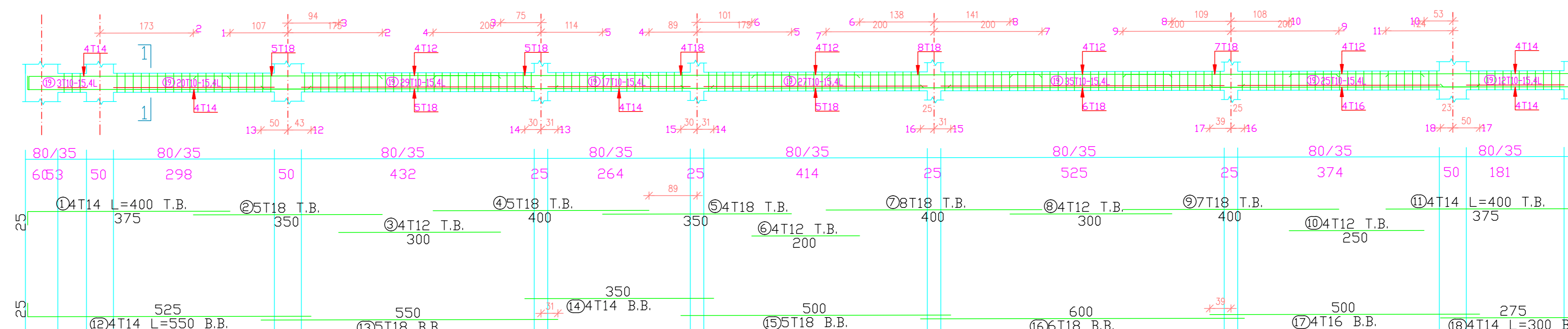
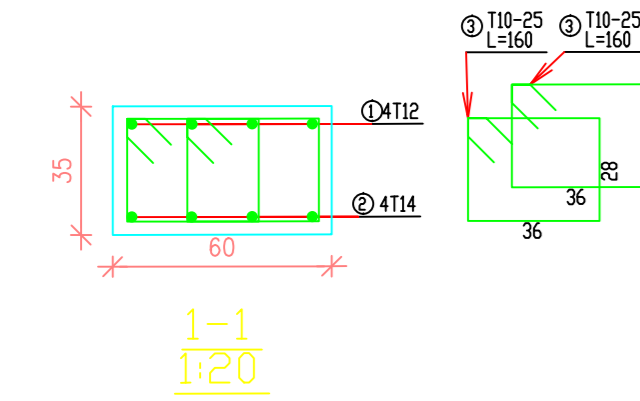
B13_B1



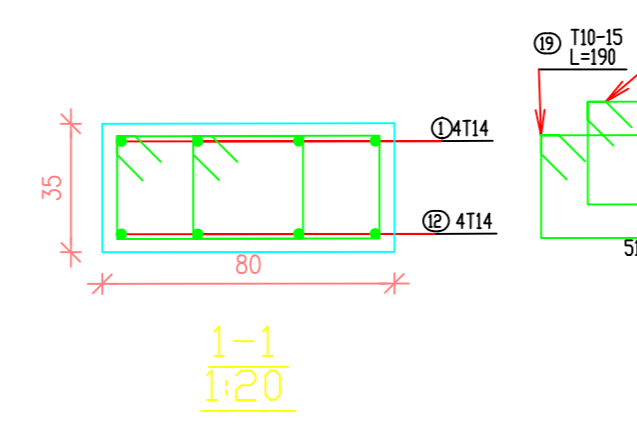
B14_B1

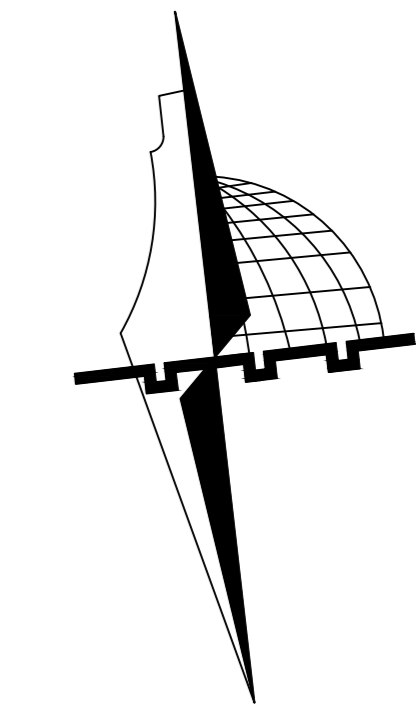
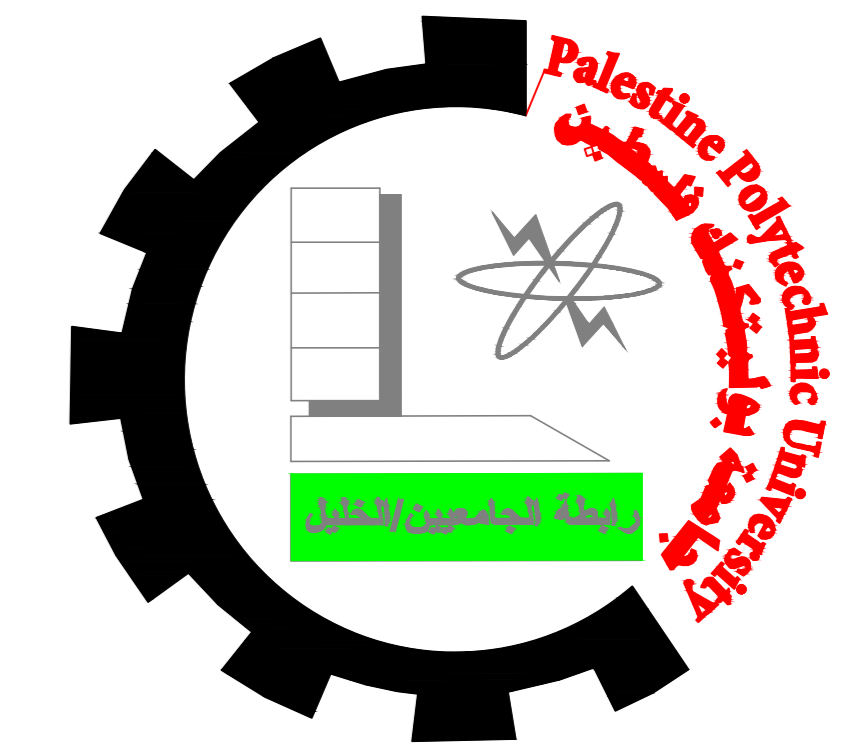


B15_B1



B16_B1





N

NOTES:

All Dimensions are in meters unless otherwise shown.

All spot levels are in meters.

Palestine Polytechnic University
Civil. & Arch. Eng. Department

Building Engineering

Project :

Residential Commercial Building

Designed By :

Feras Abo-Aljaysh
Noor Beiwat
Anas Jobran

Supervisor :

Eng.Mai Haddad

Drawing Title :

Beams Details

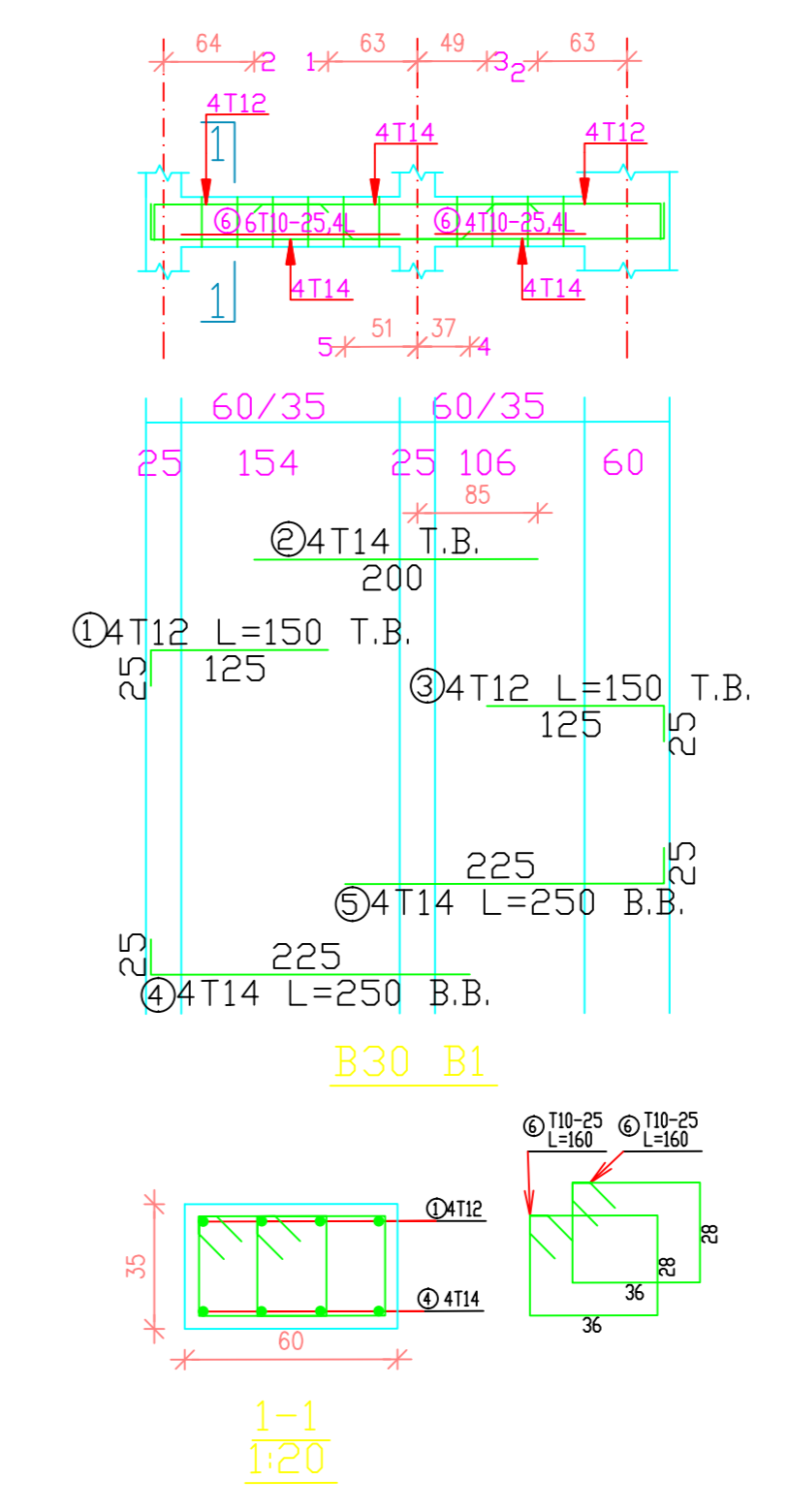
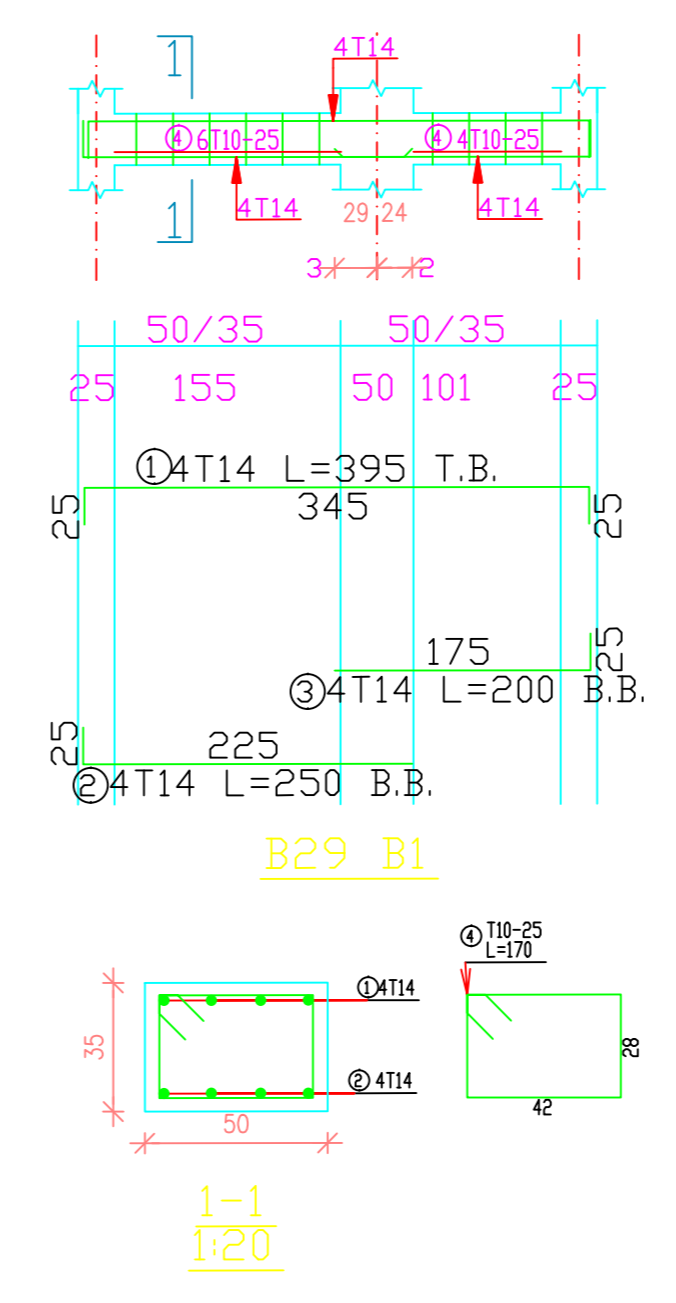
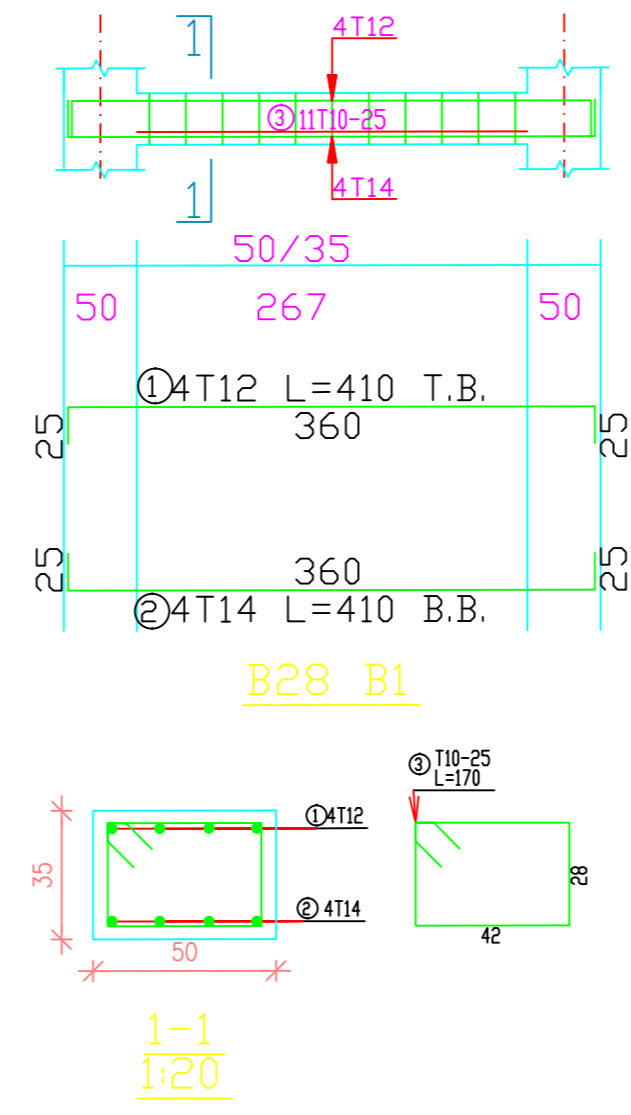
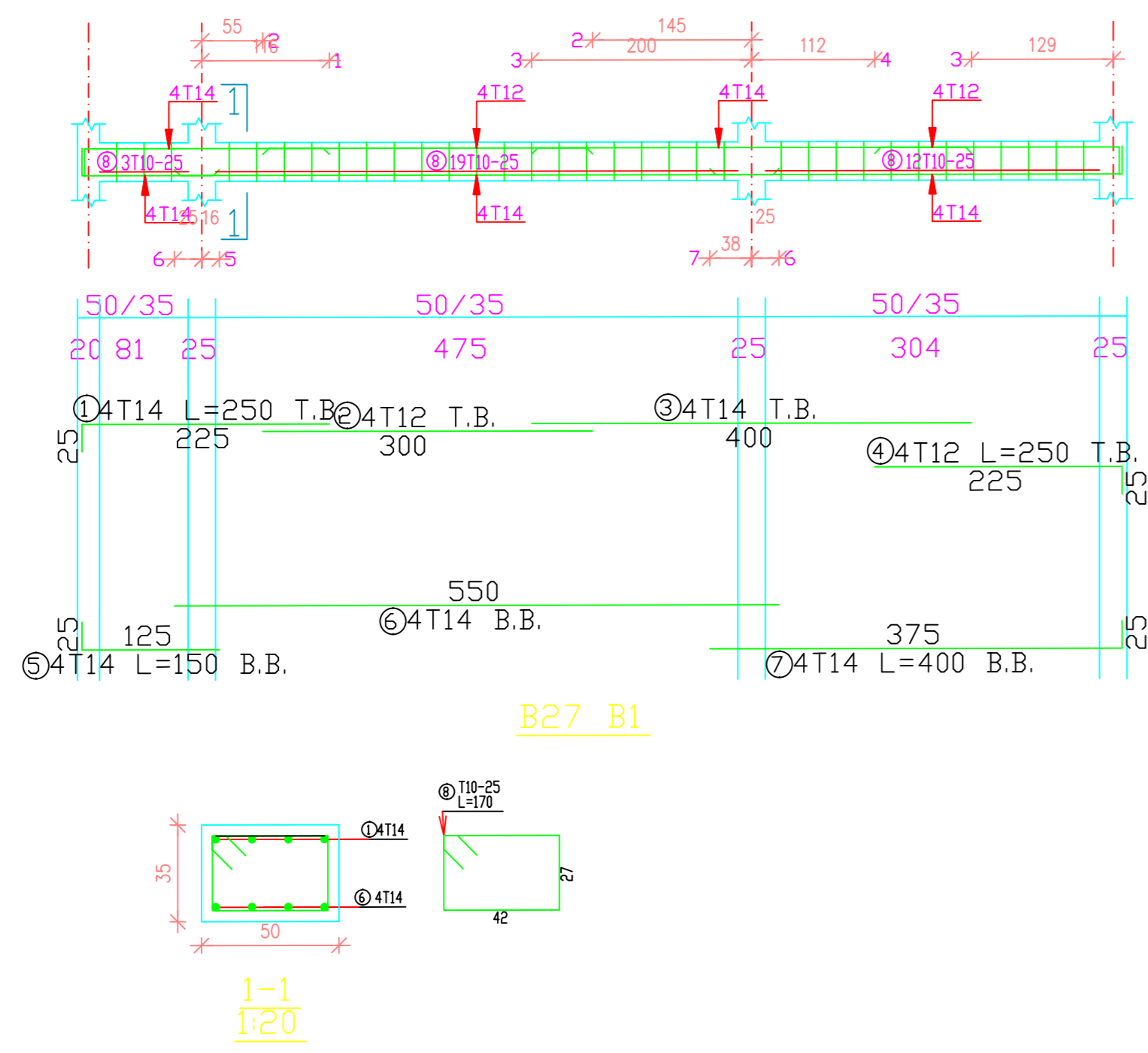
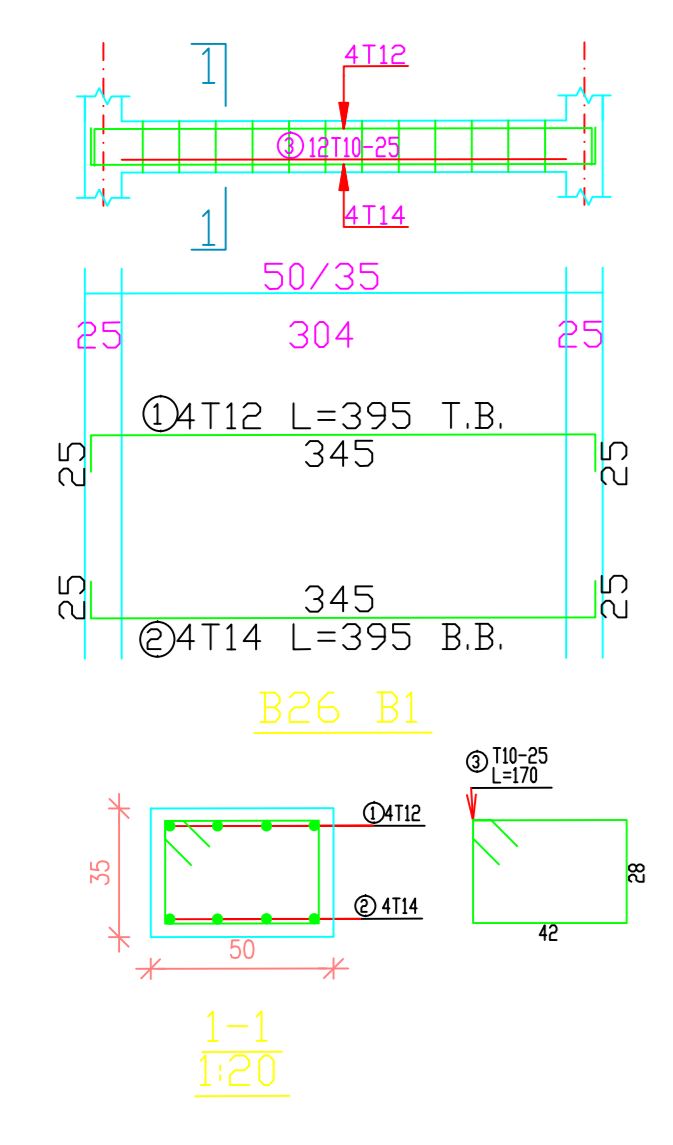
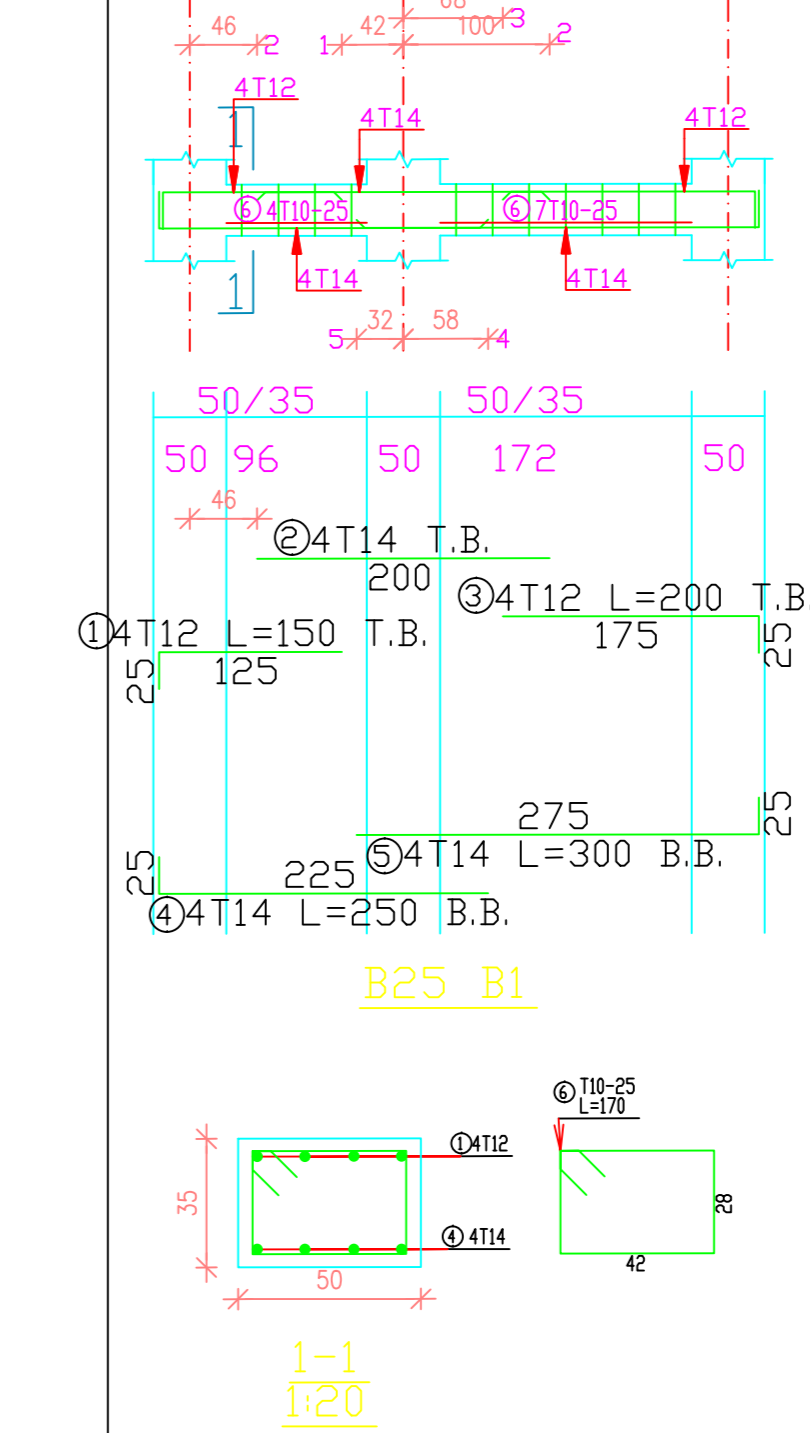
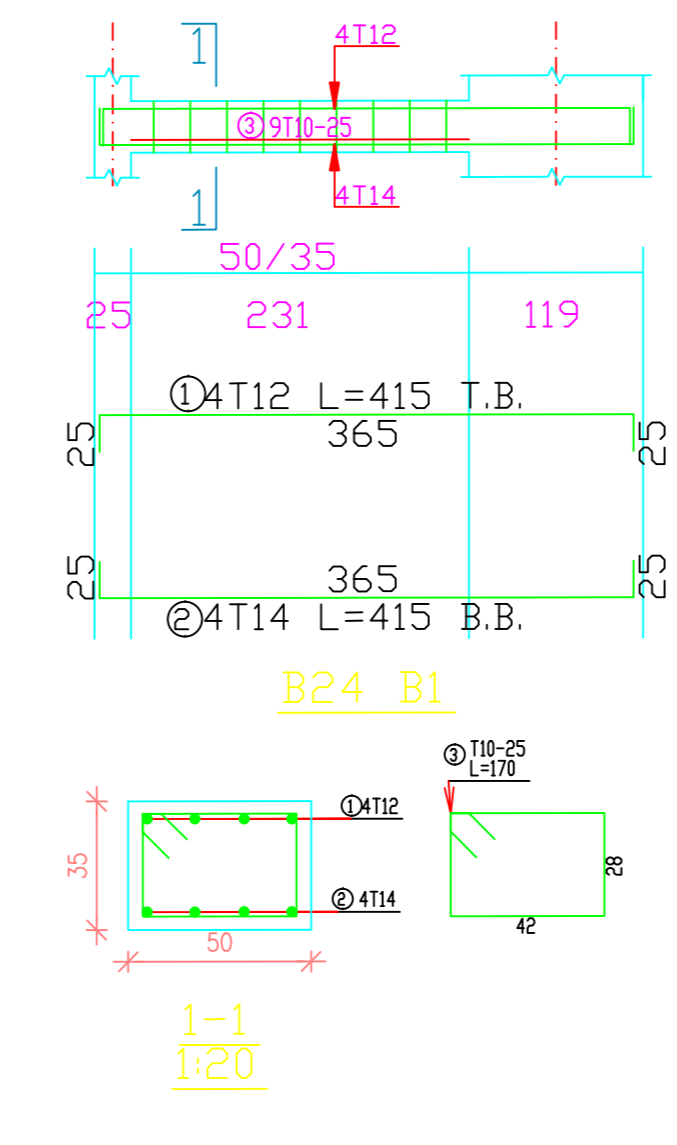
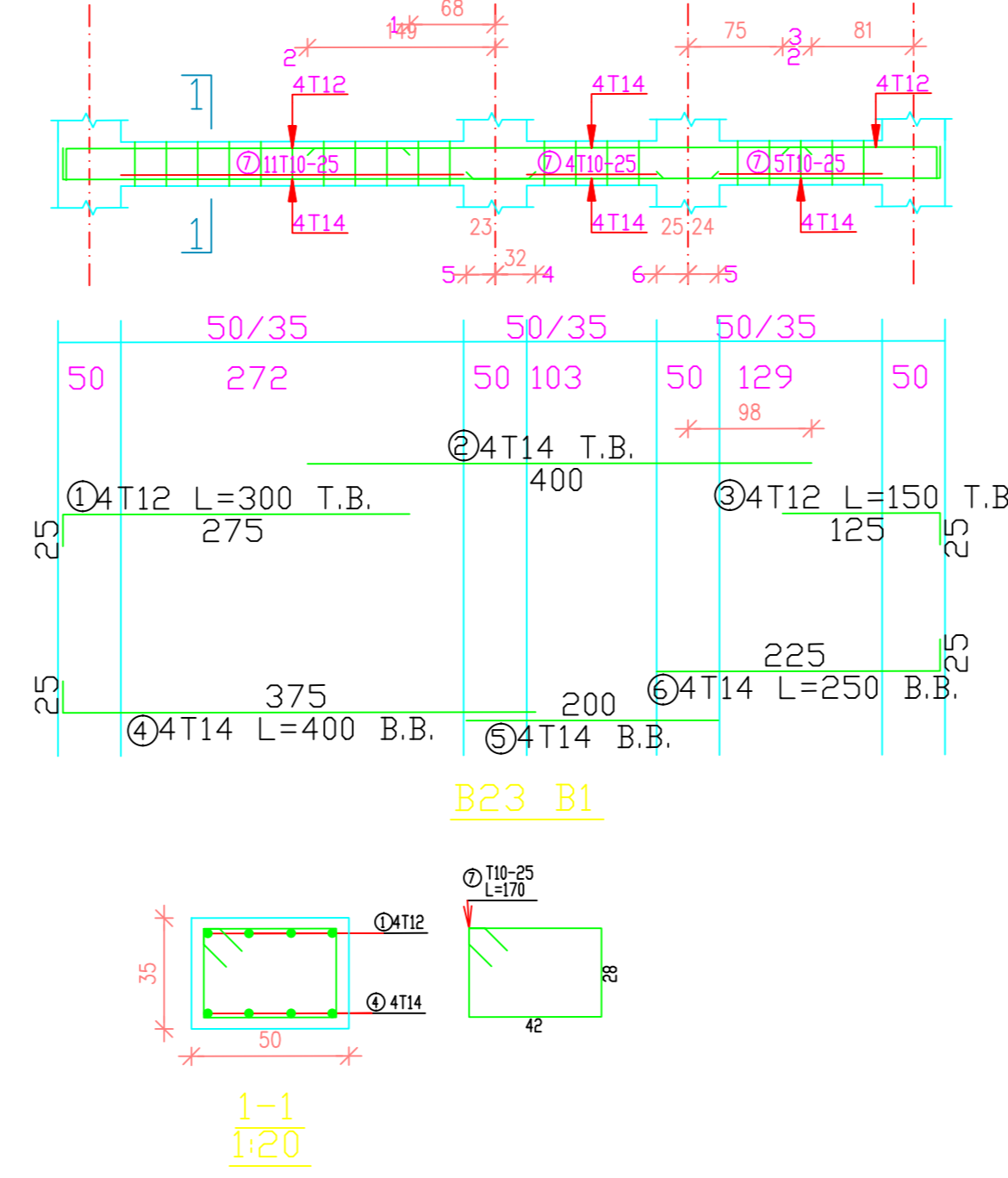
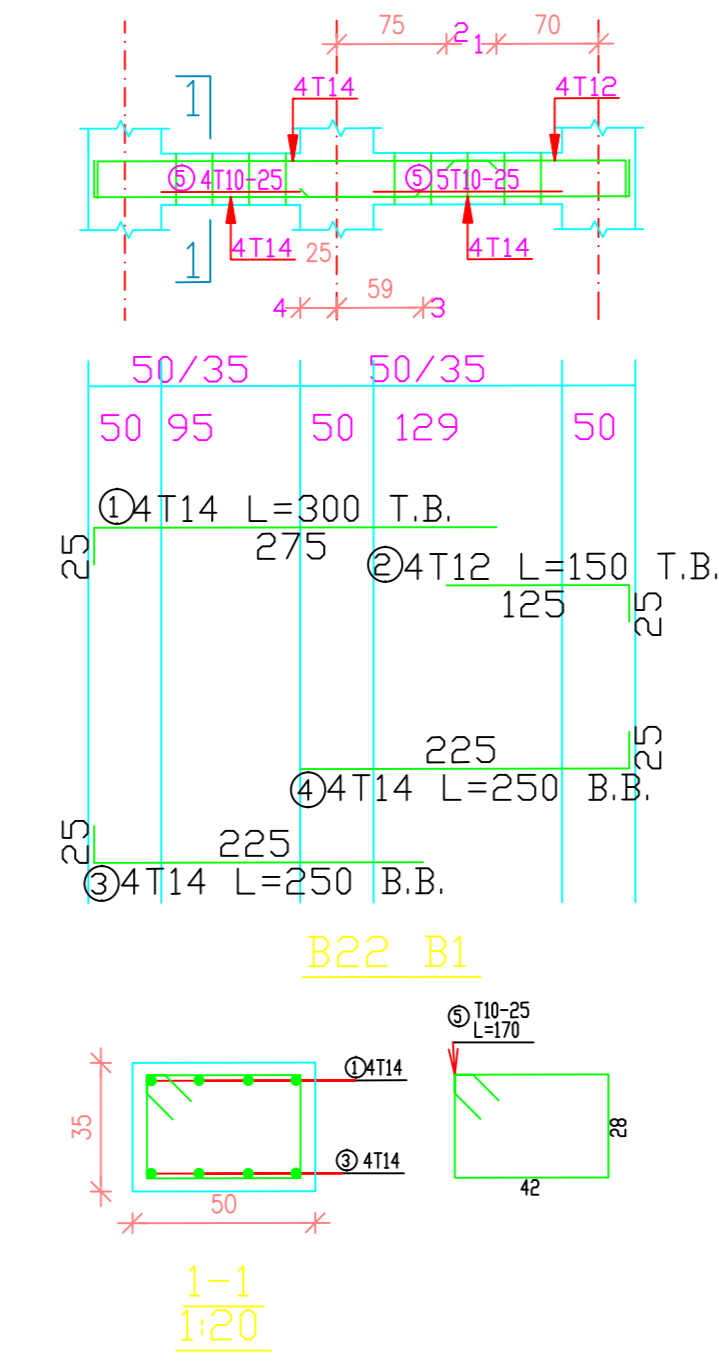
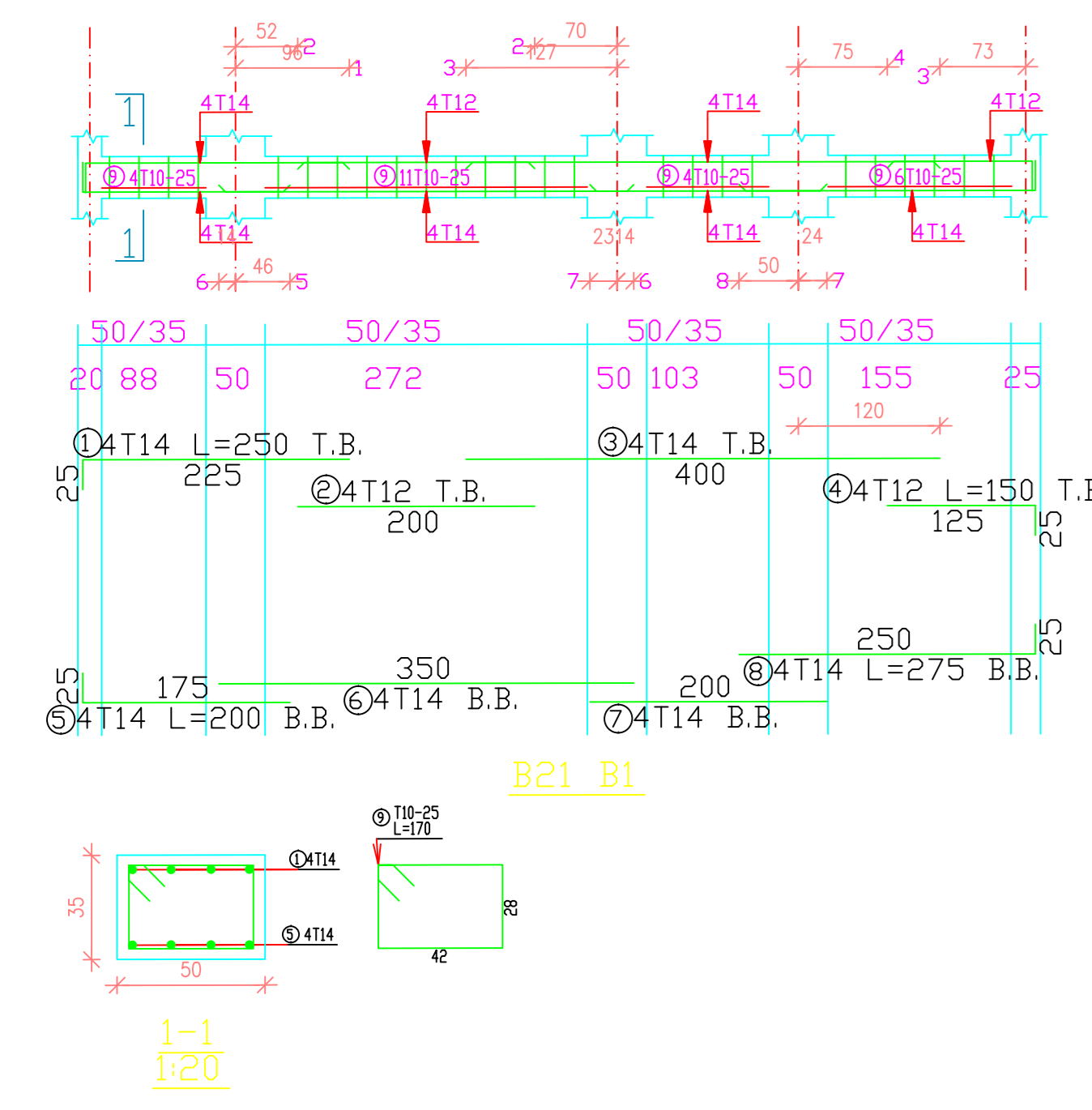
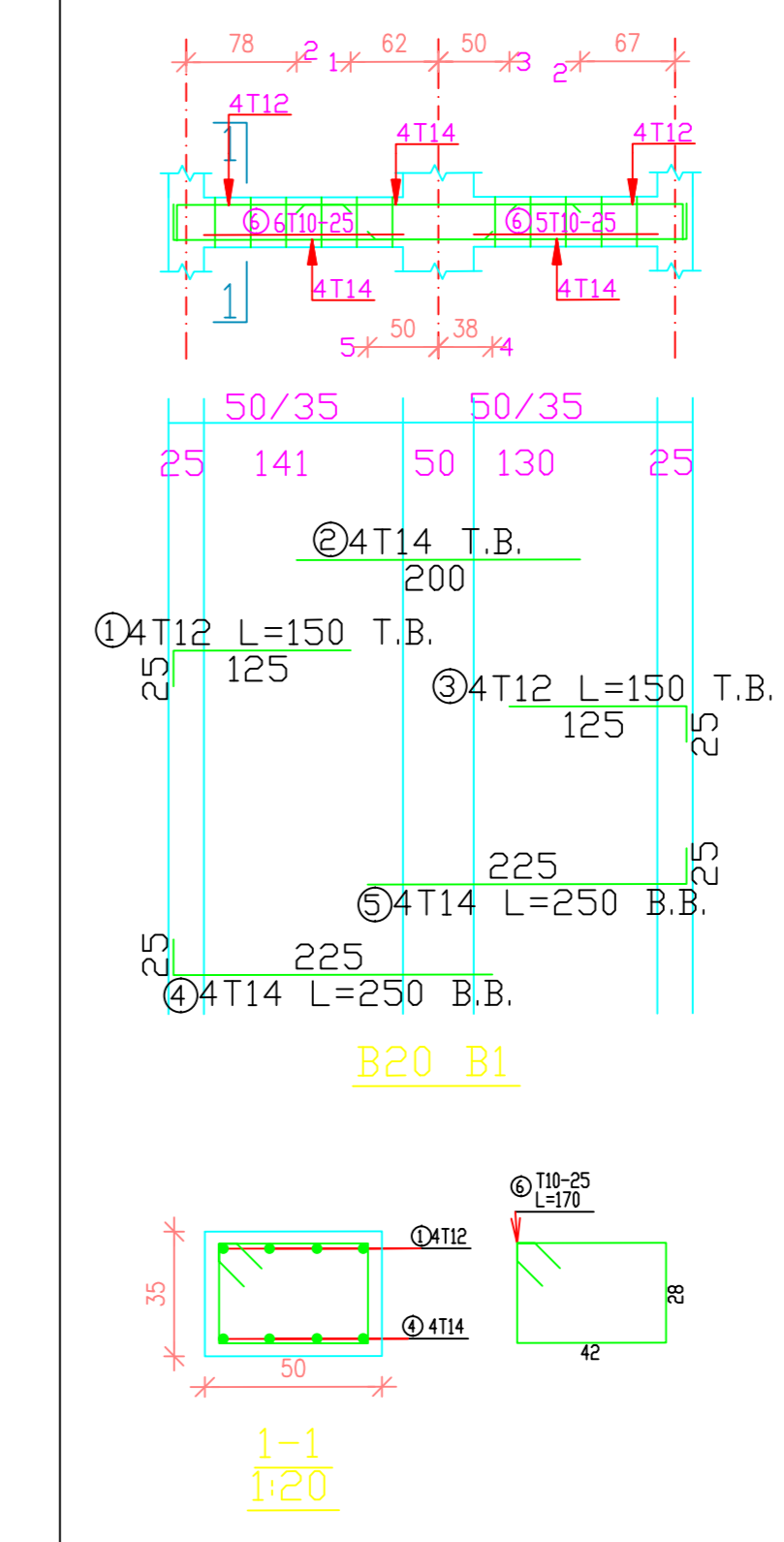
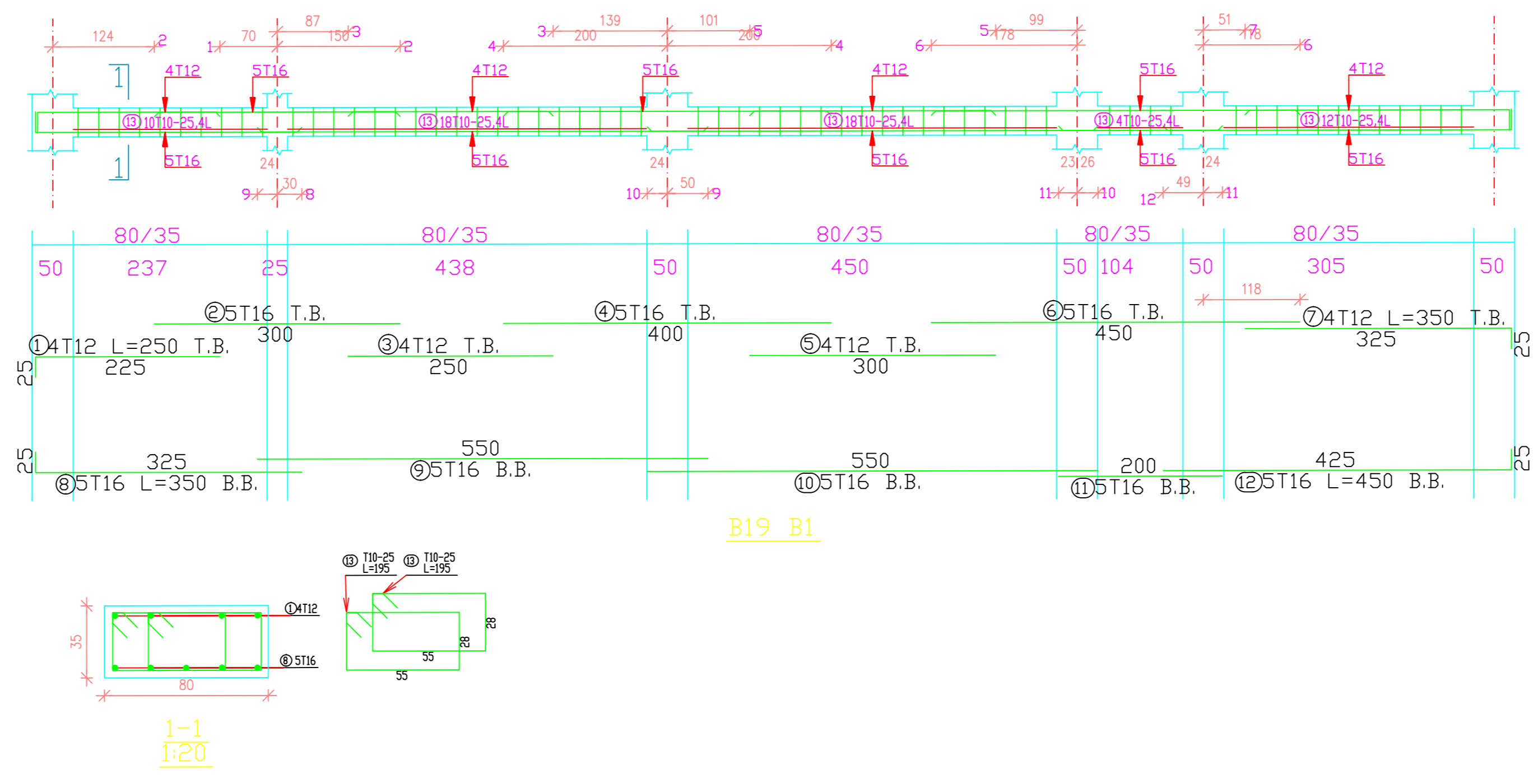
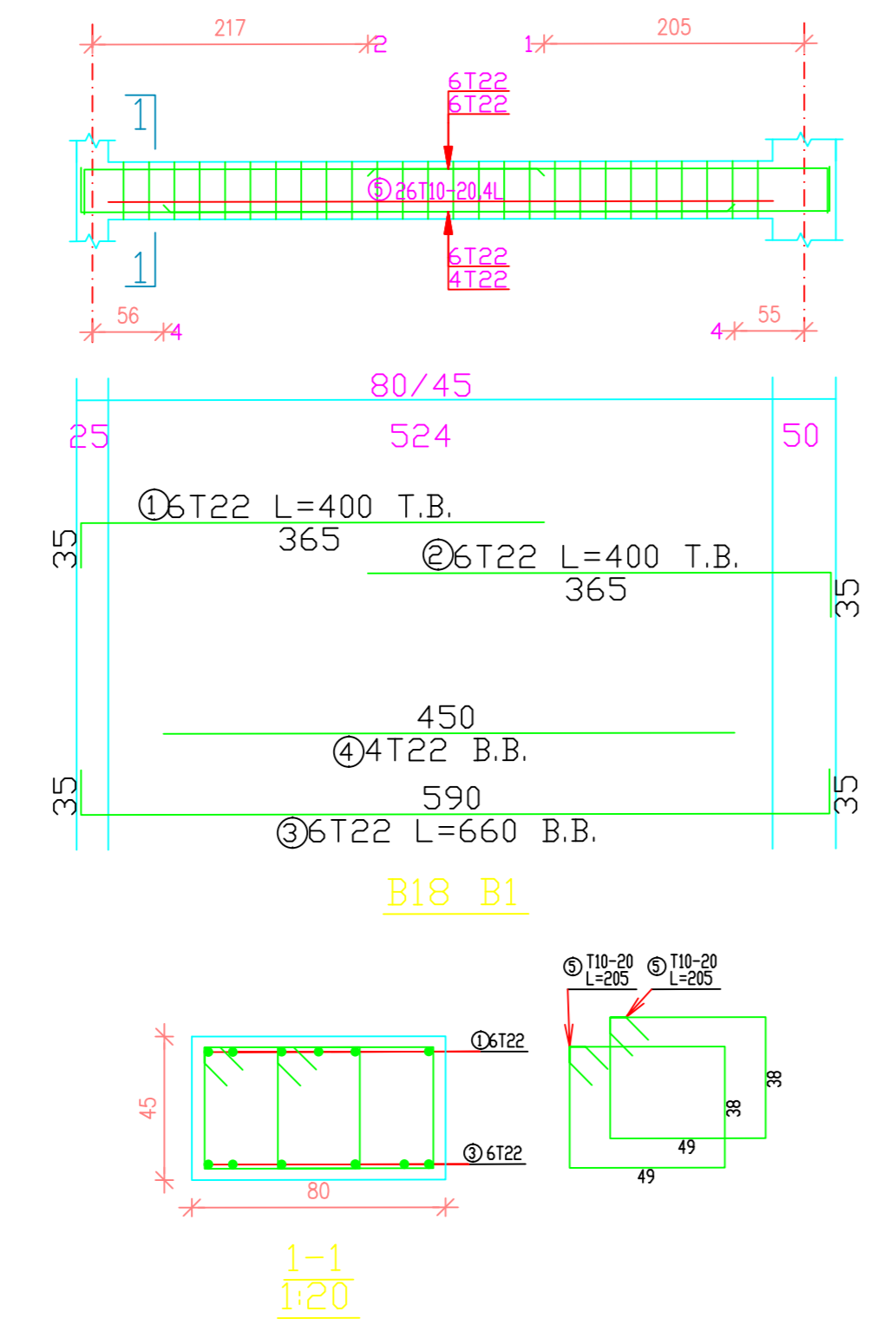
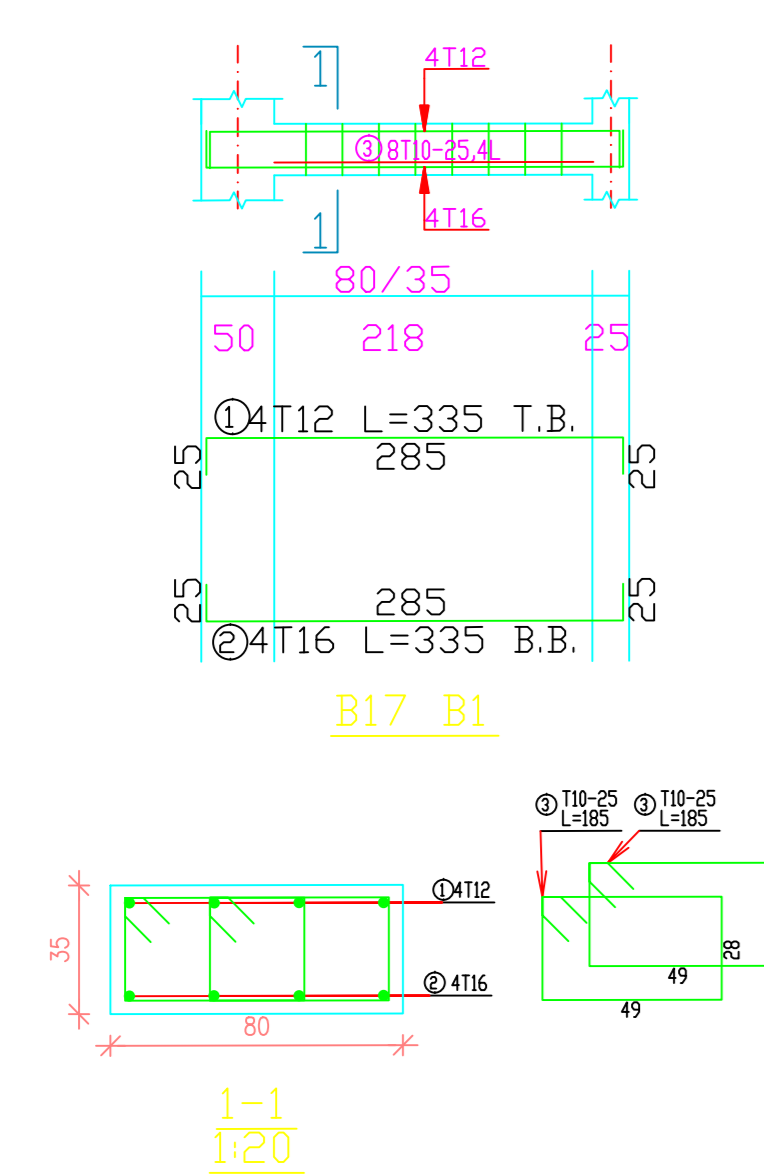
Drawing No :

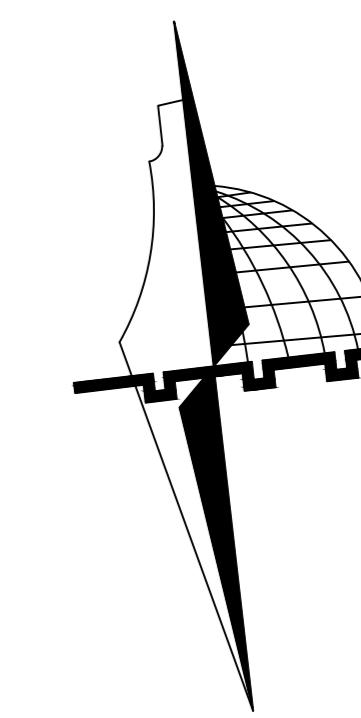
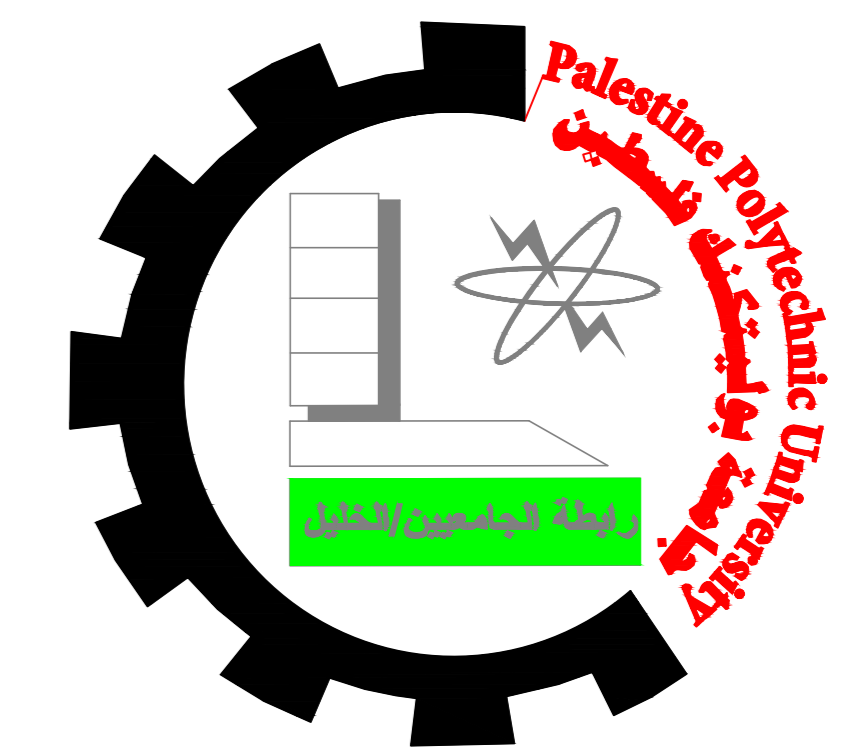
S 35

Date : 2/6/2021

View scale 1/50

Cover 4 cm





N

NOTES:

All Dimensions are in meters unless otherwise shown.

All spot levels are in meters.

Palestine Polytechnic University
Civil. & Arch. Eng. Department

Building Engineering

Project :

Residential Commercial Building

Designed By :

Feras Abo-Aljaysh
Noor Beiwat
Anas Jobran

Supervisor :

Eng.Mai Haddad

Drawing Title :

Beams Details

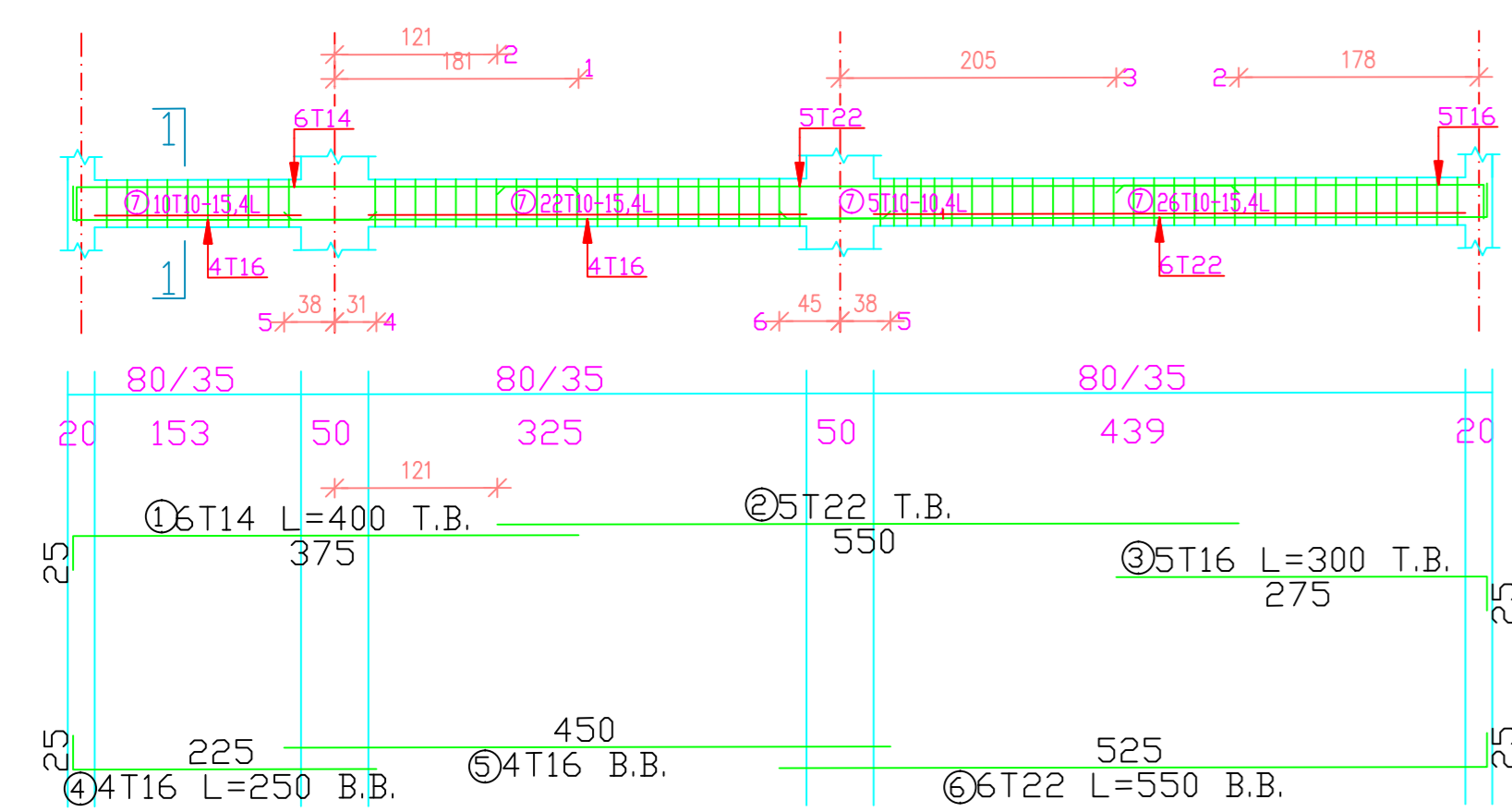
Drawing No :

S 36

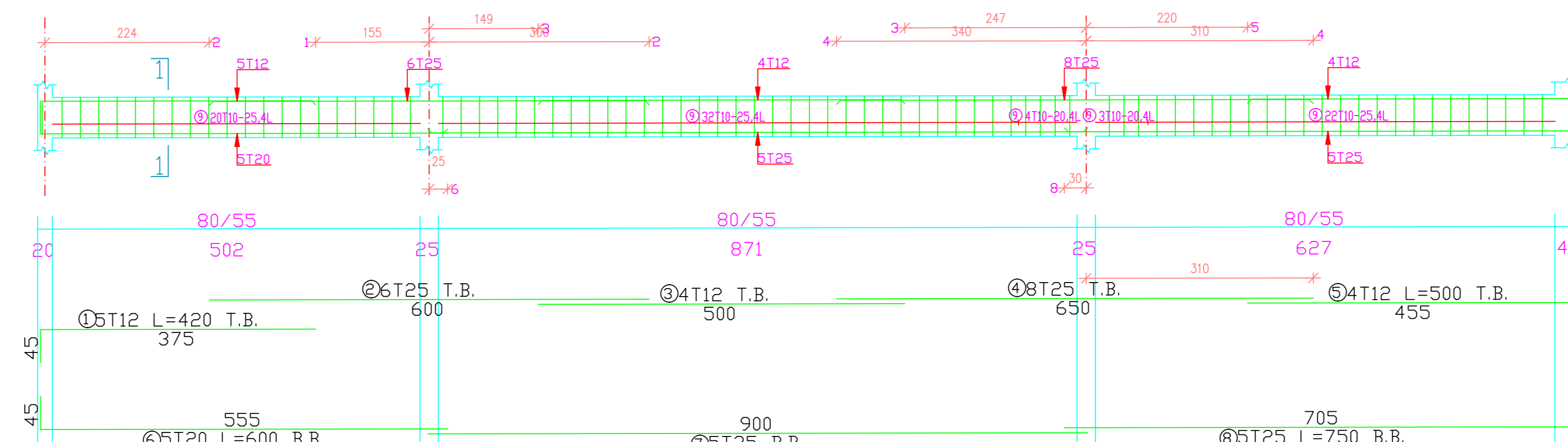
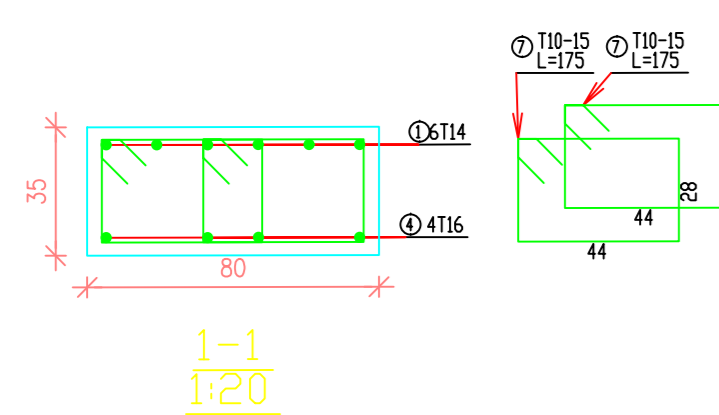
Date : 2/6/2021

View scale 1/50

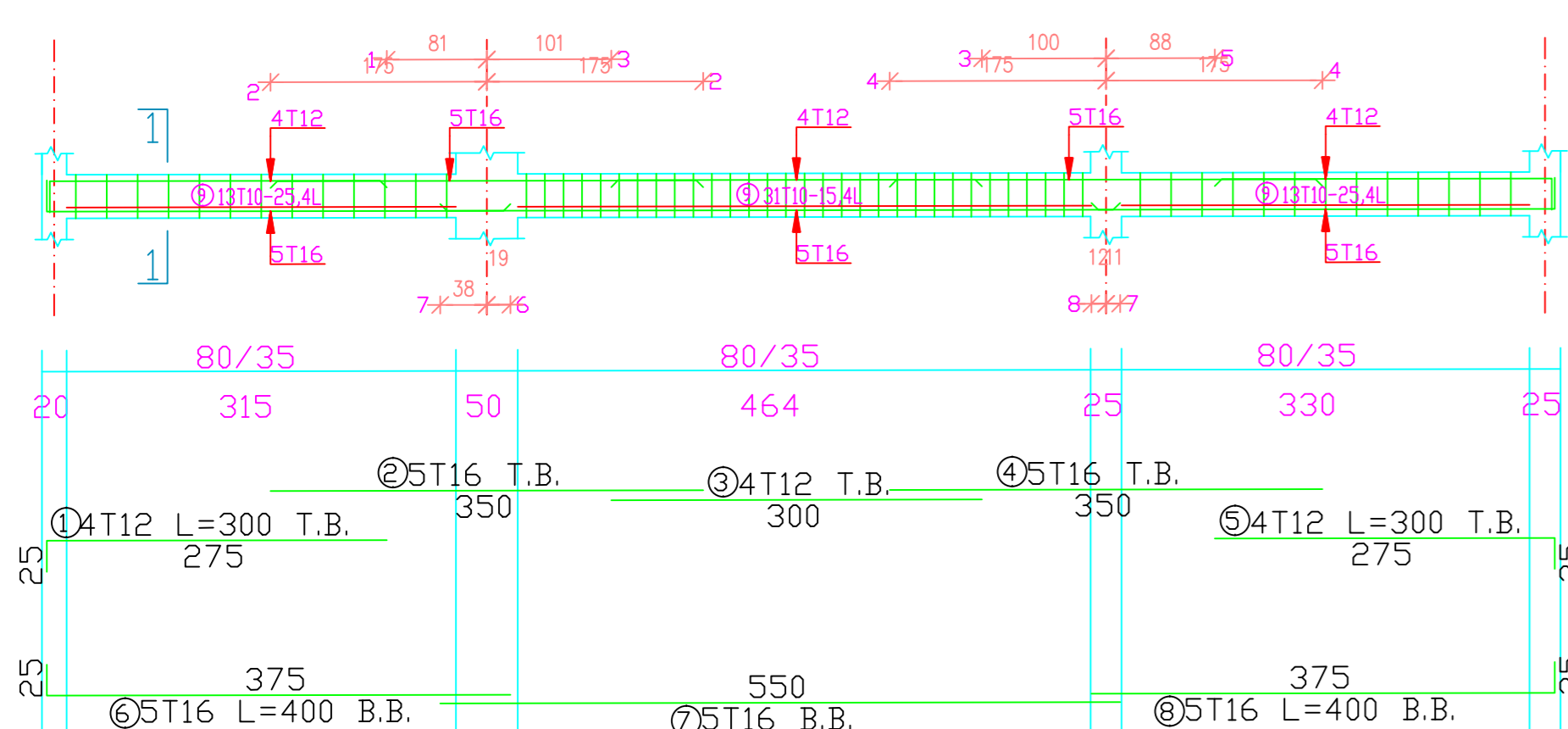
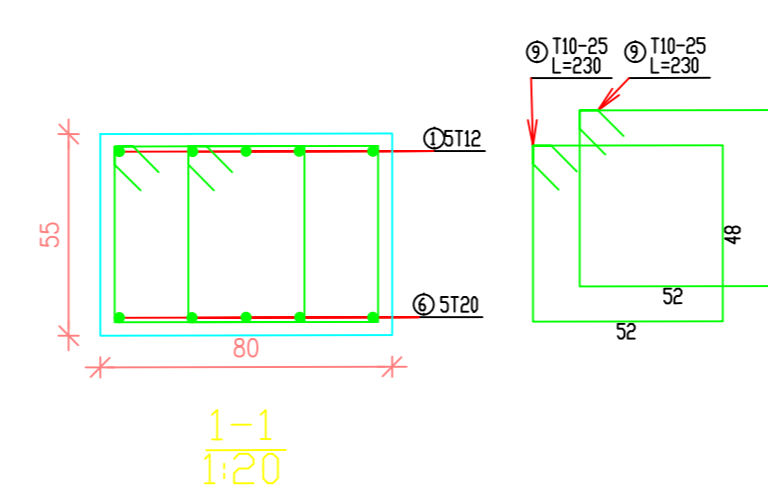
Cover 4 cm



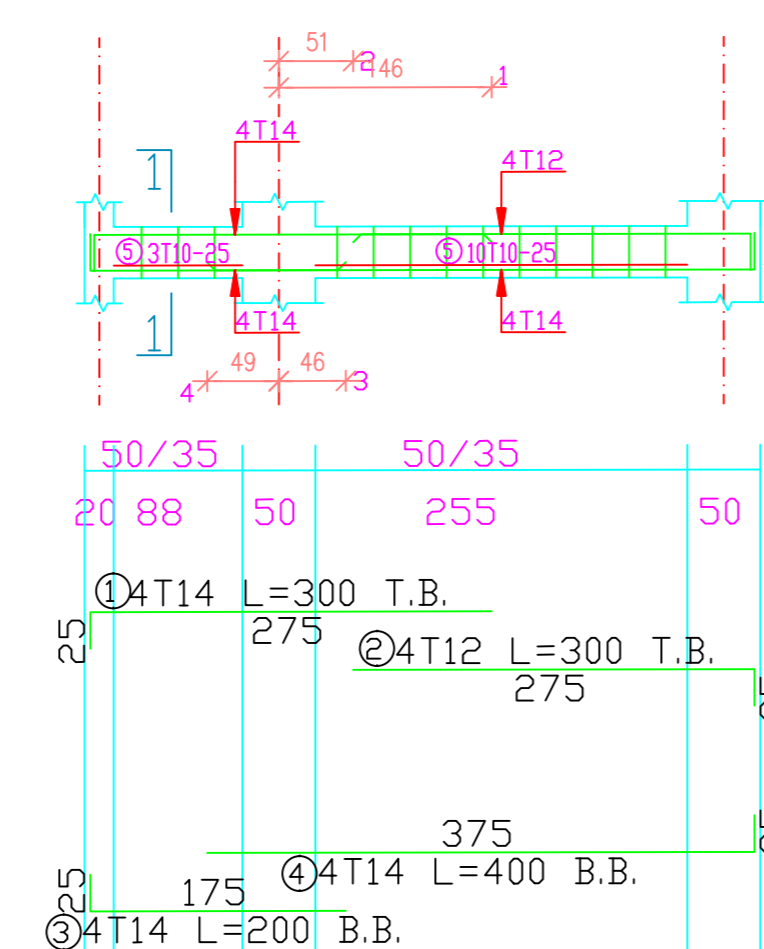
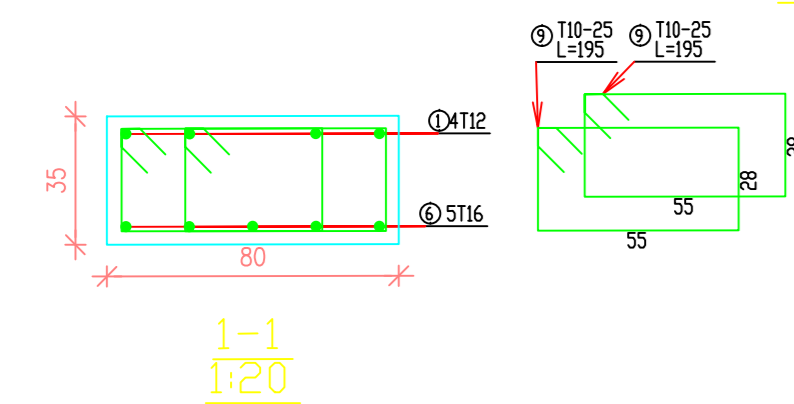
B31_B1



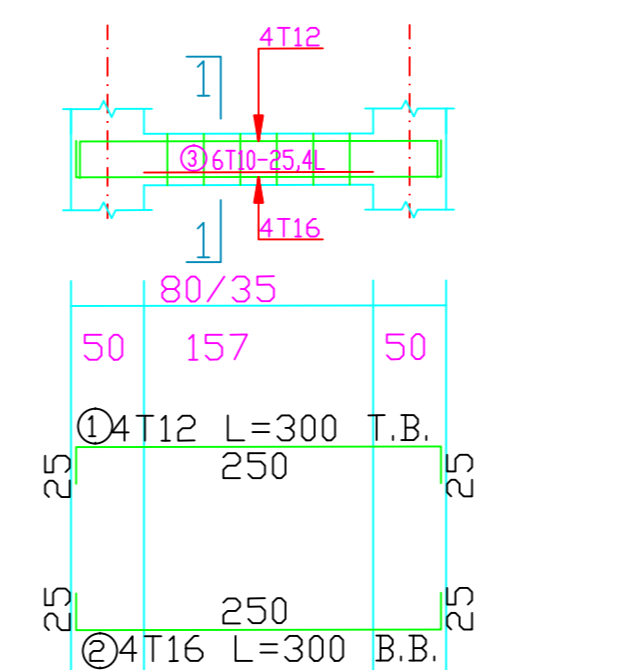
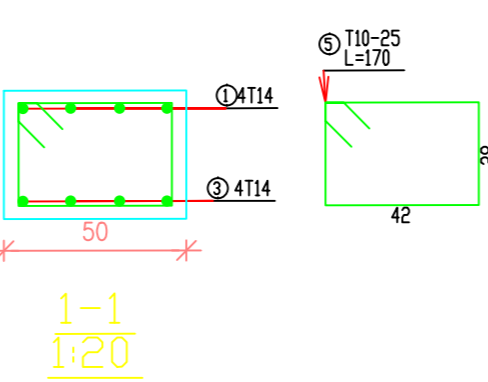
B32_B1



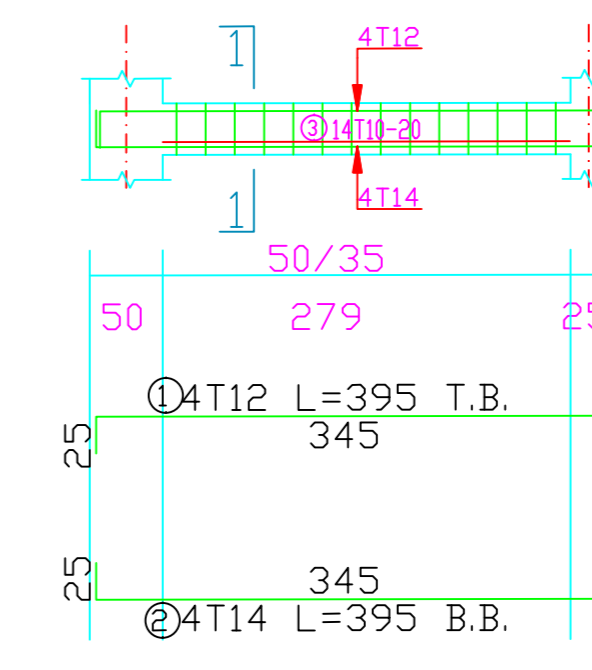
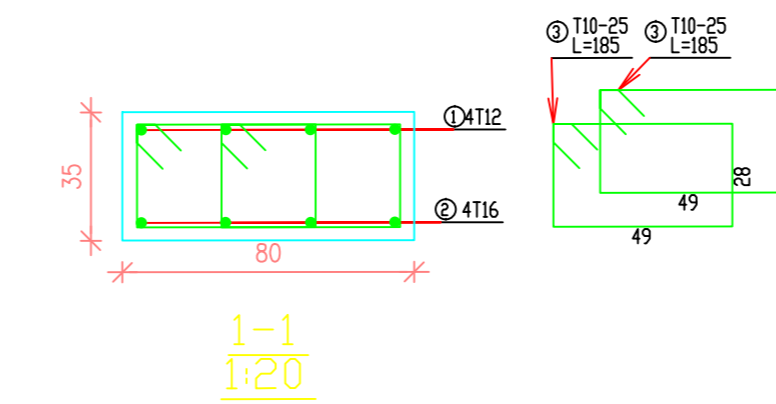
B33_B1



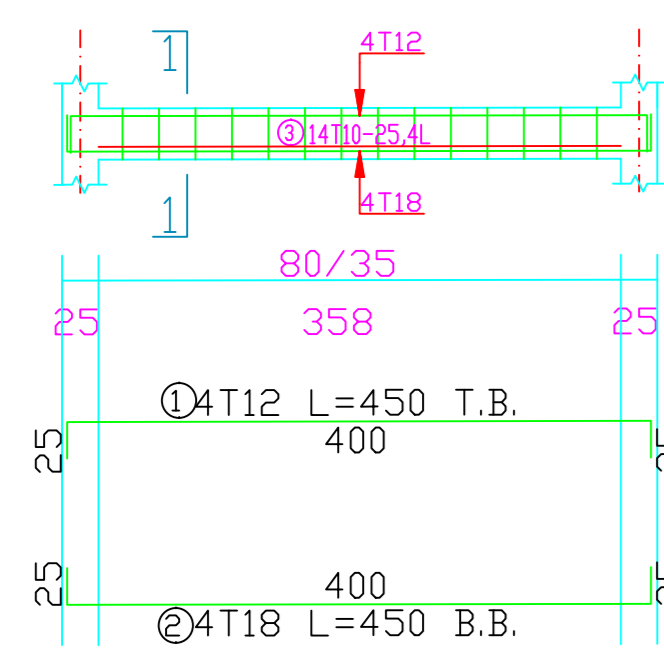
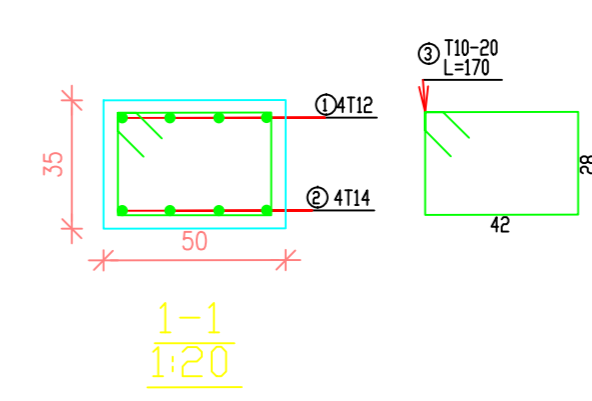
B34_B1



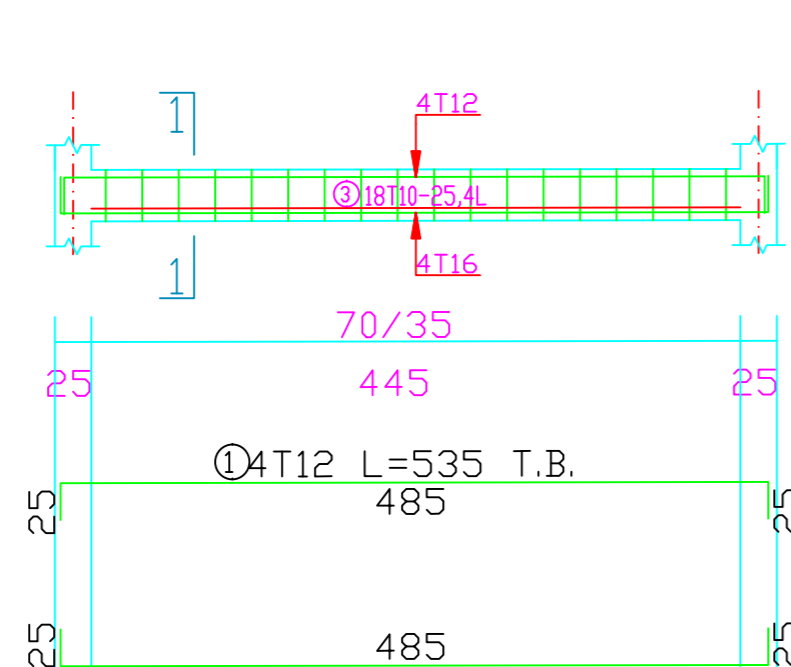
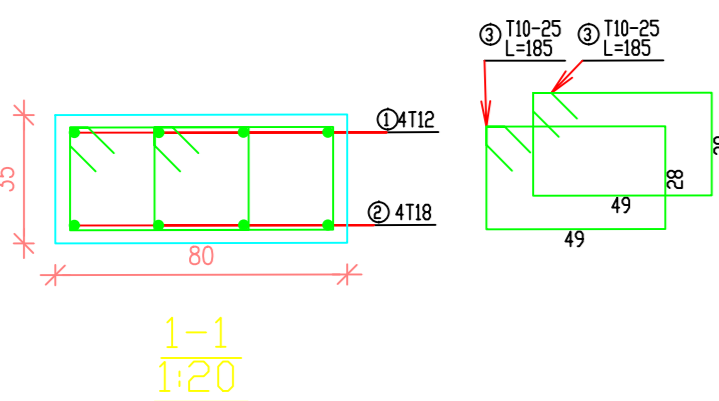
B35_B1



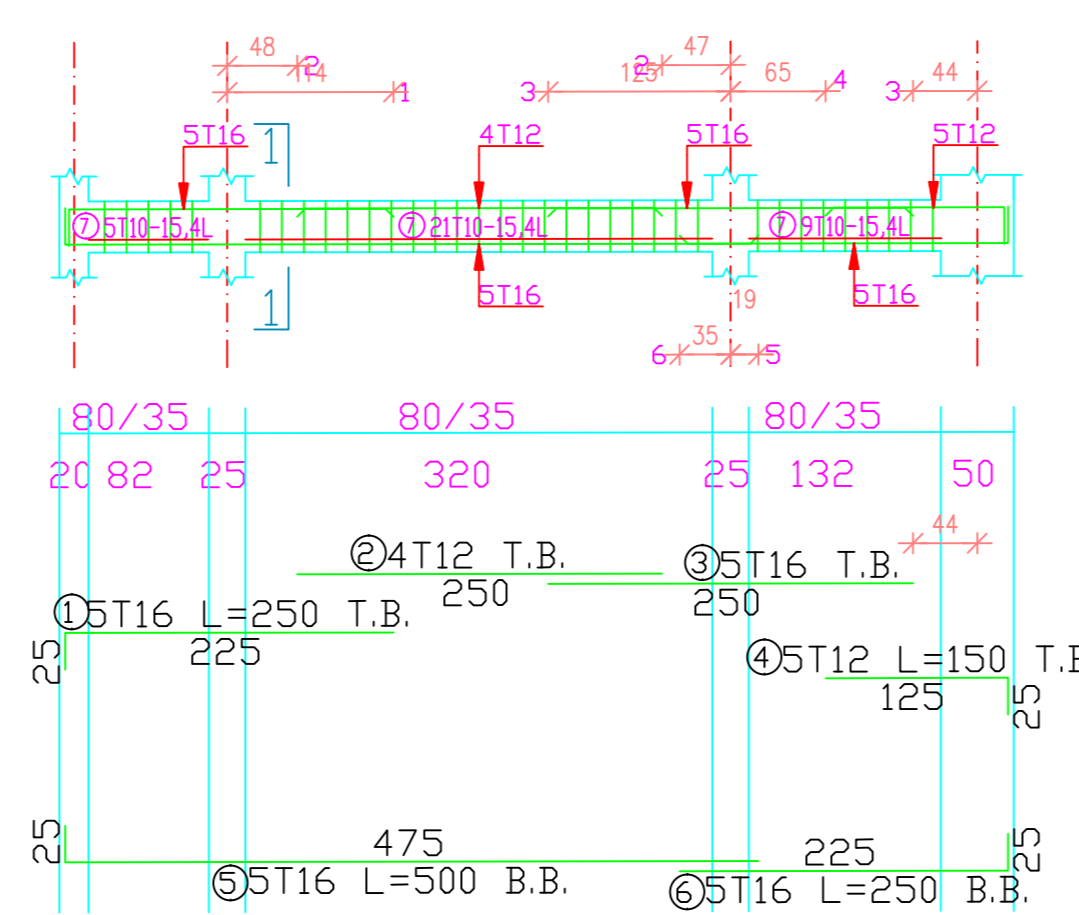
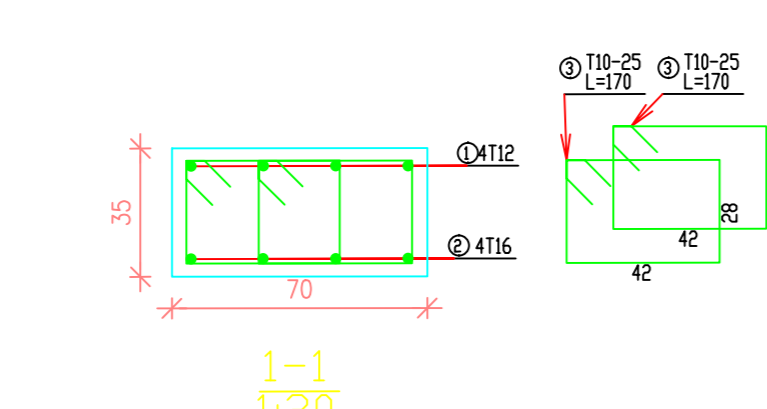
B36_B1



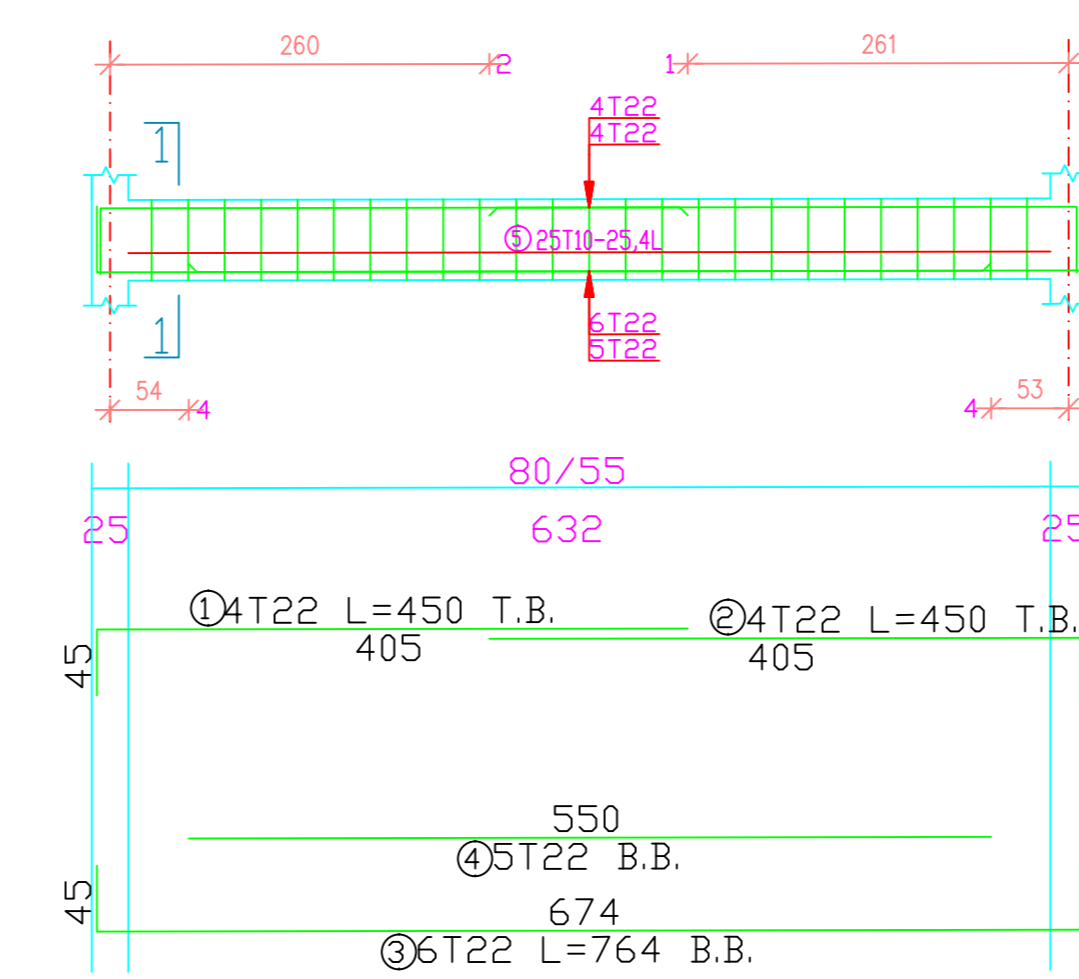
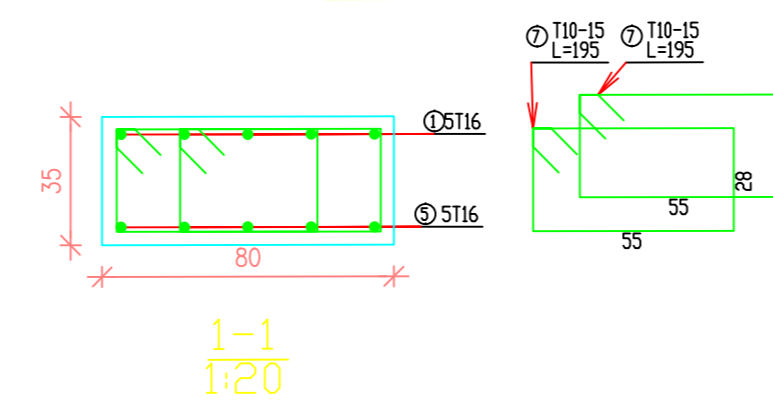
B37_B1



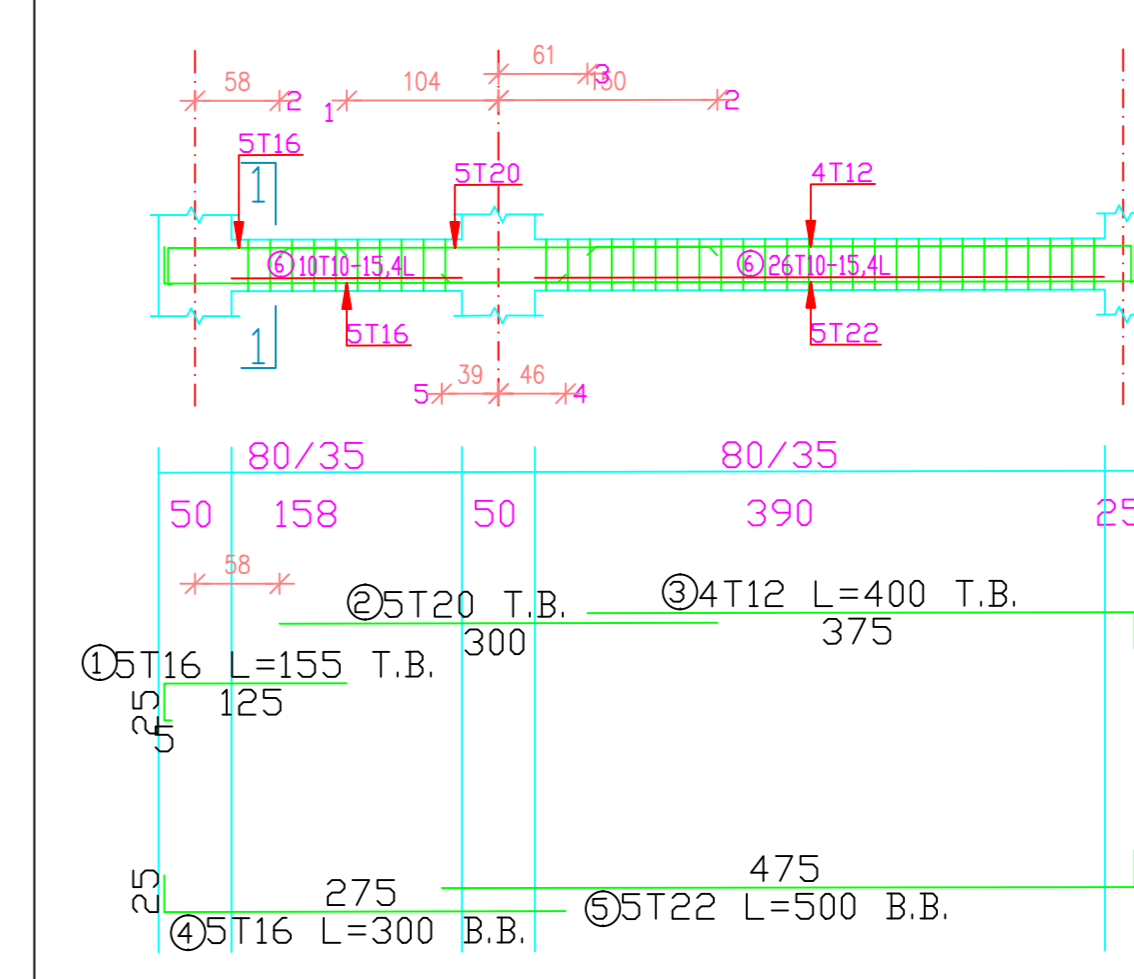
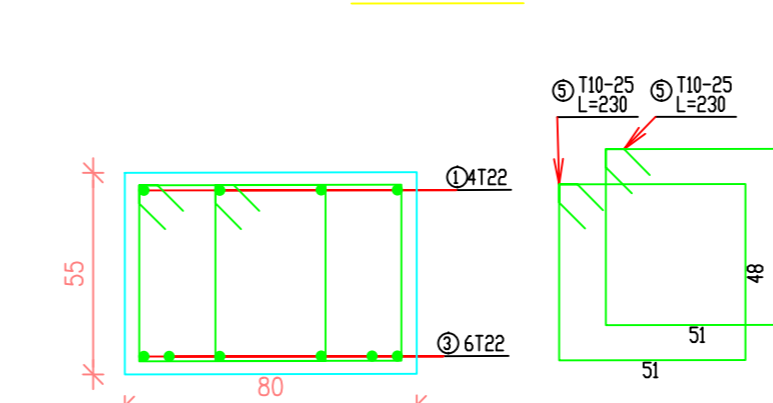
B38_B1



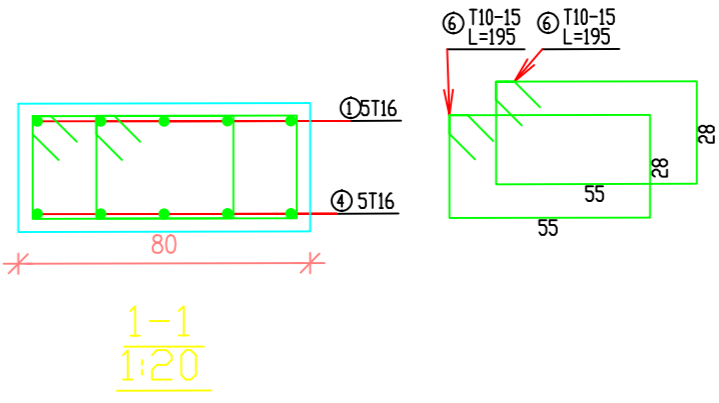
B39_B1

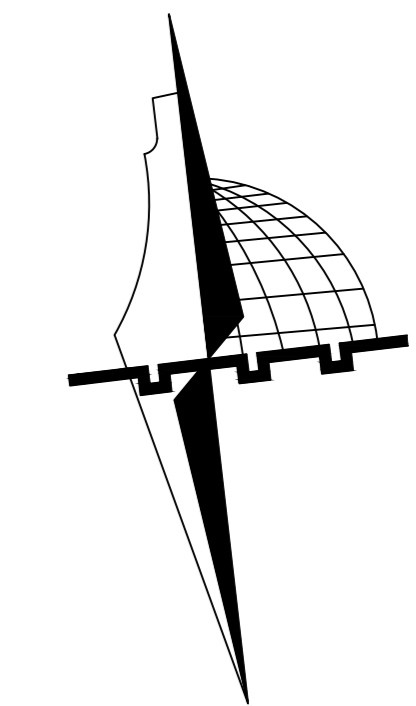
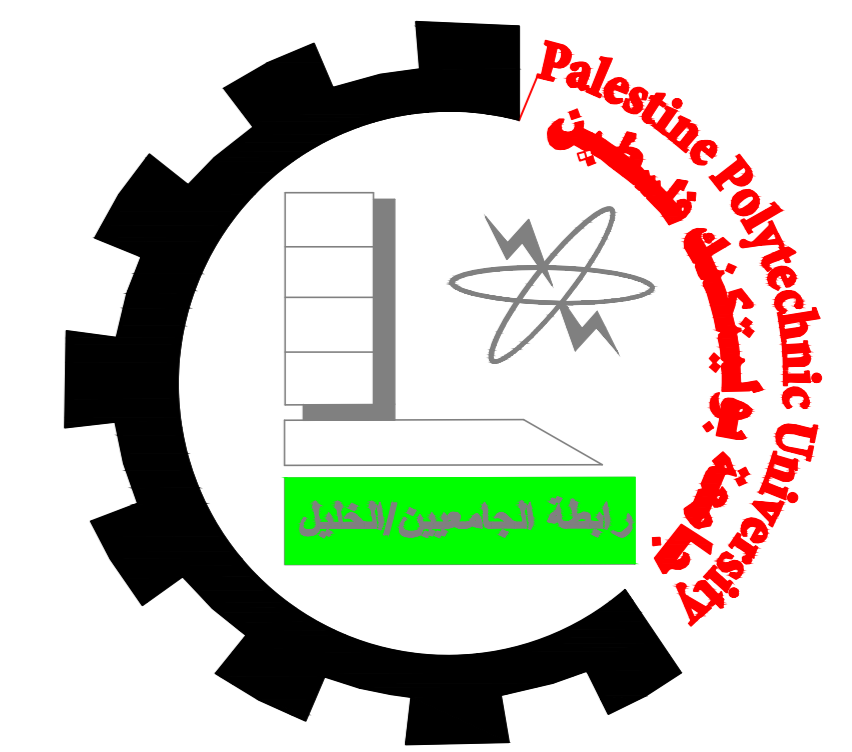


B40_B1



B41_B1





N

NOTES:

All Dimensions are in meters unless otherwise shown.

All spot levels are in meters.

Palestine Polytechnic University
Civil. & Arch. Eng. Department

Building Engineering

Project :

Residential Commercial Building

Designed By :

Feras Abo-Aljaysh
Noor Beiwat
Anas Jobran

Supervisor :

Eng.Mai Haddad

Drawing Title :

Beams Details

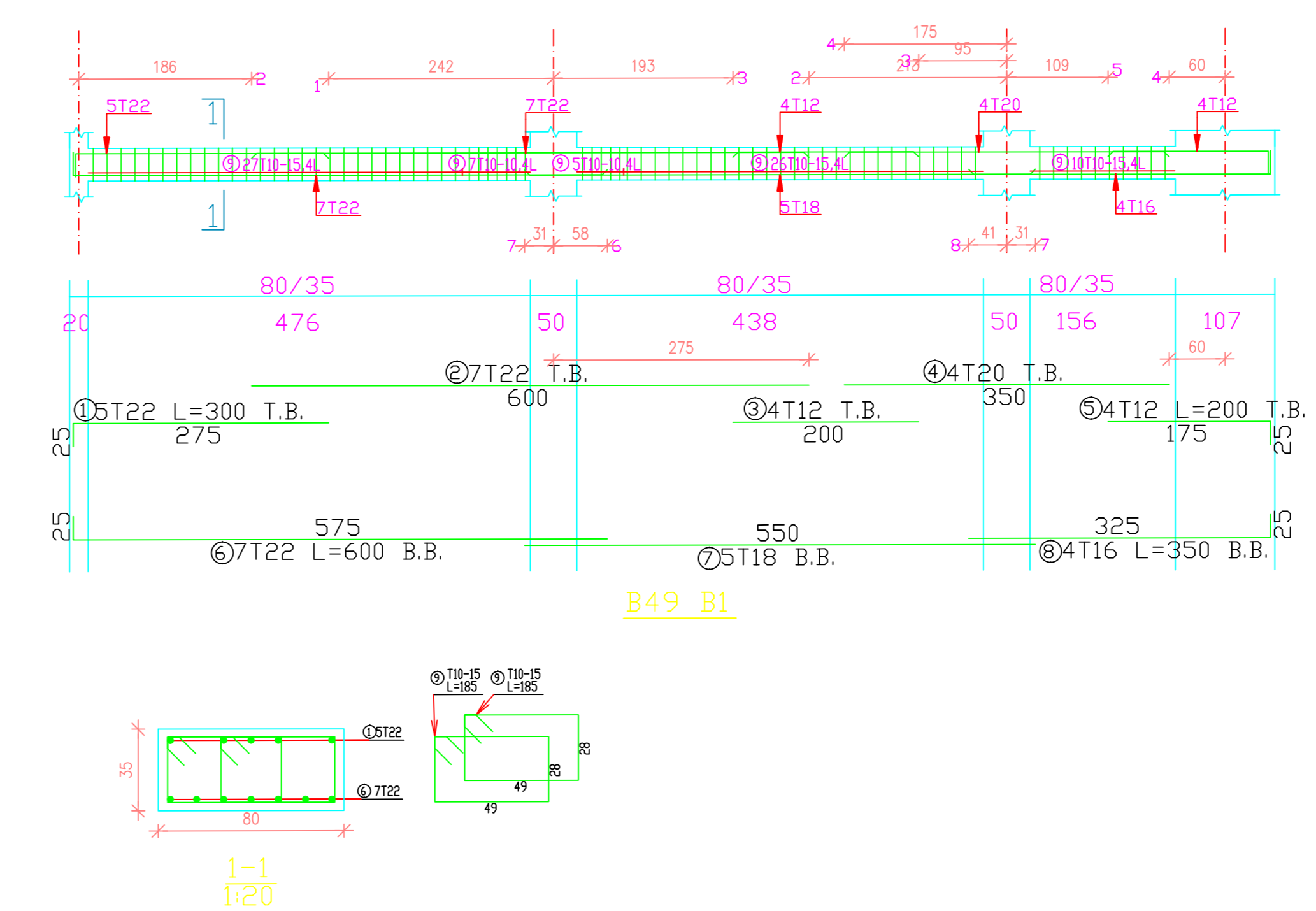
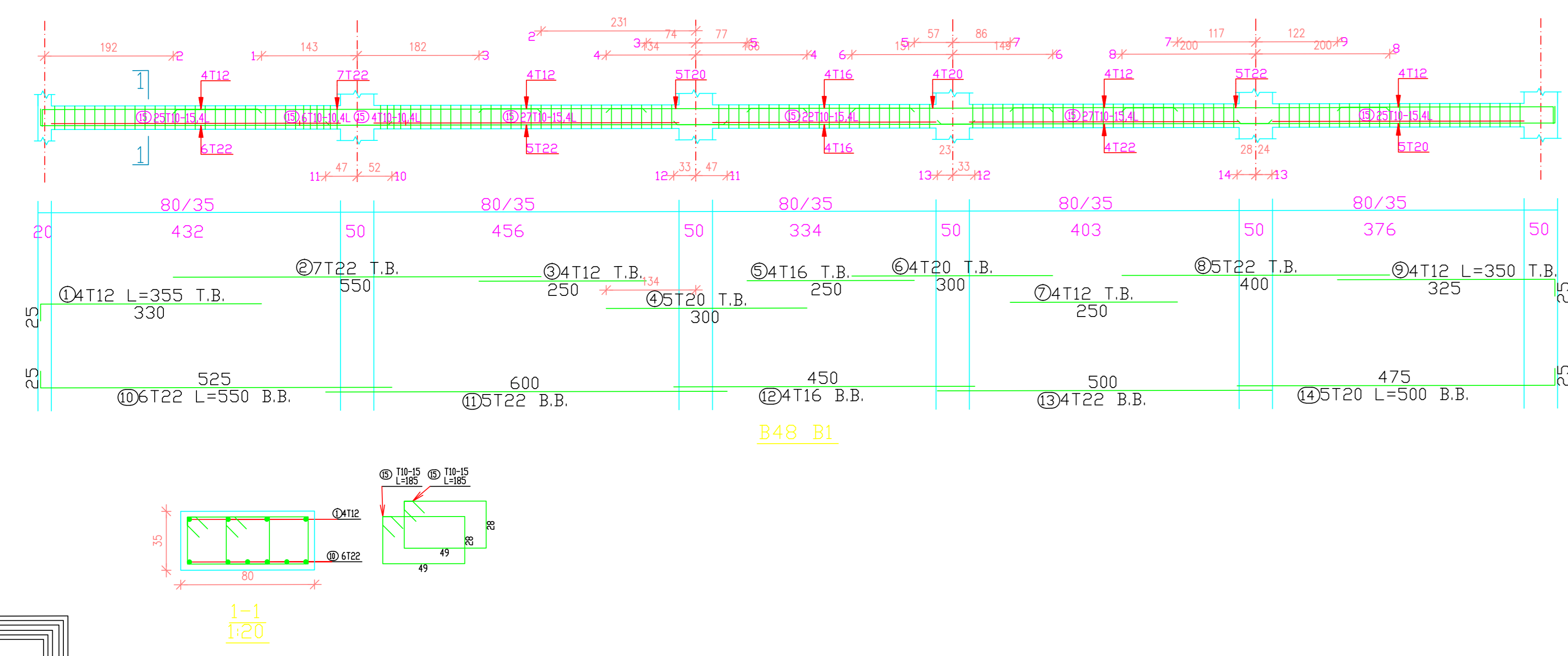
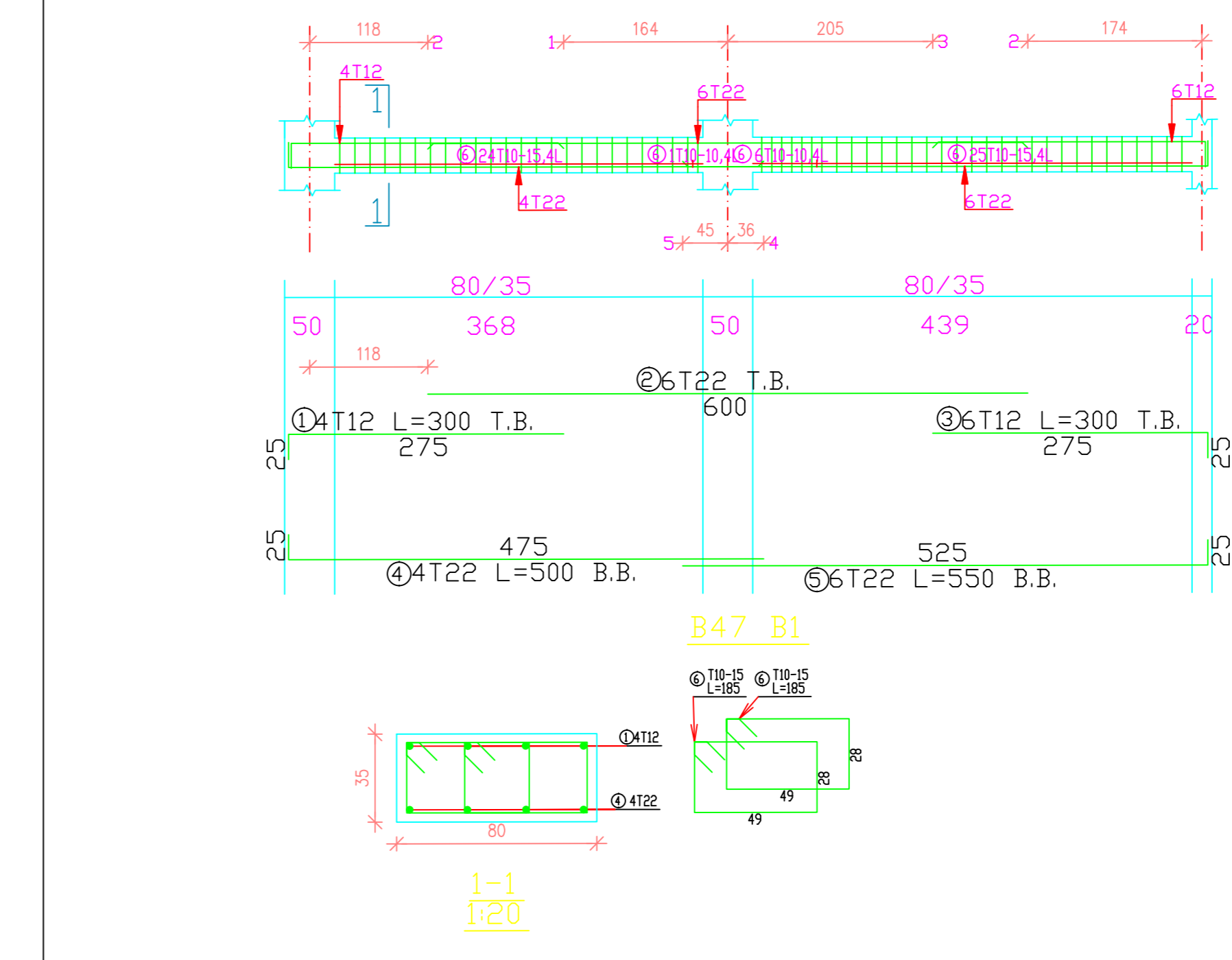
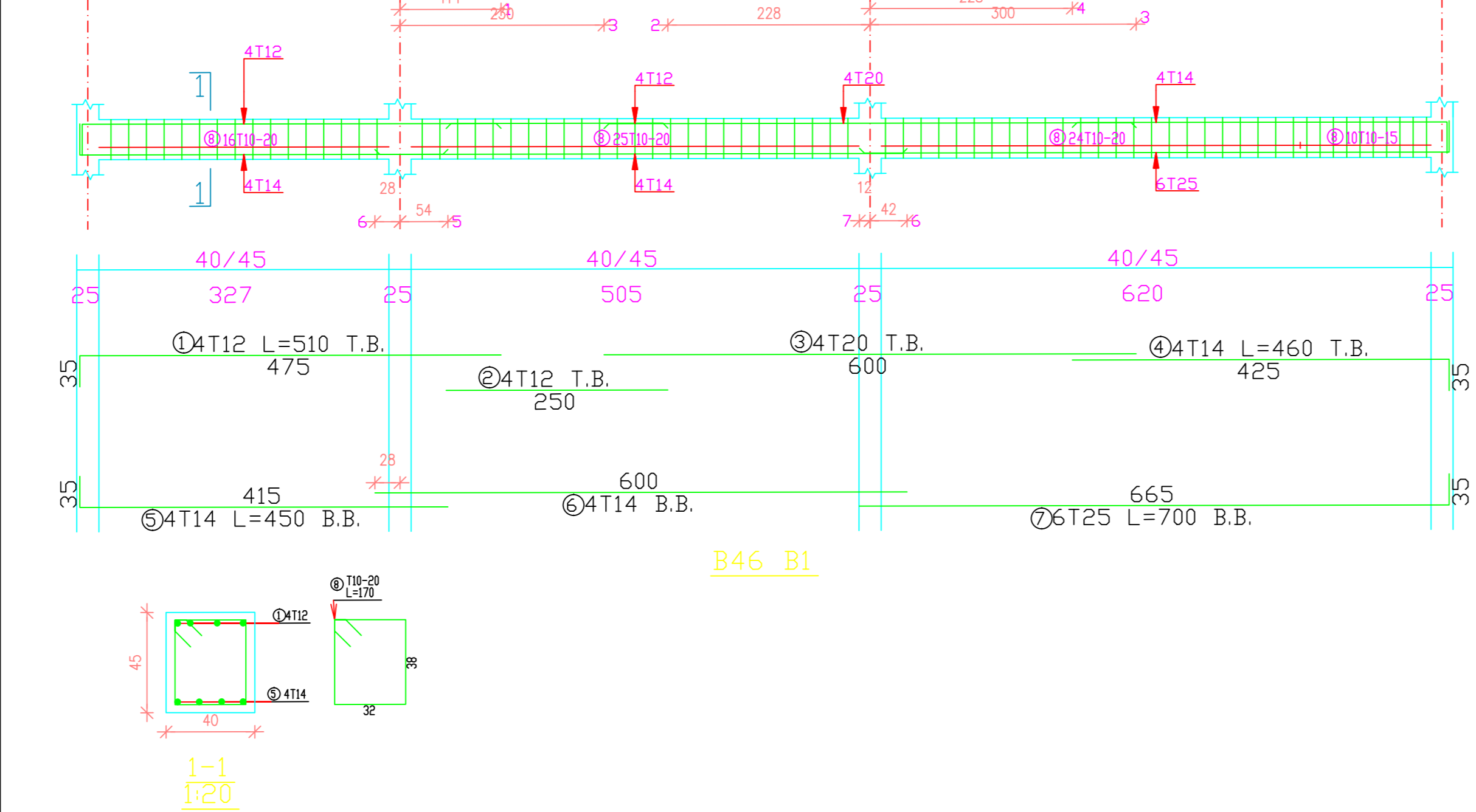
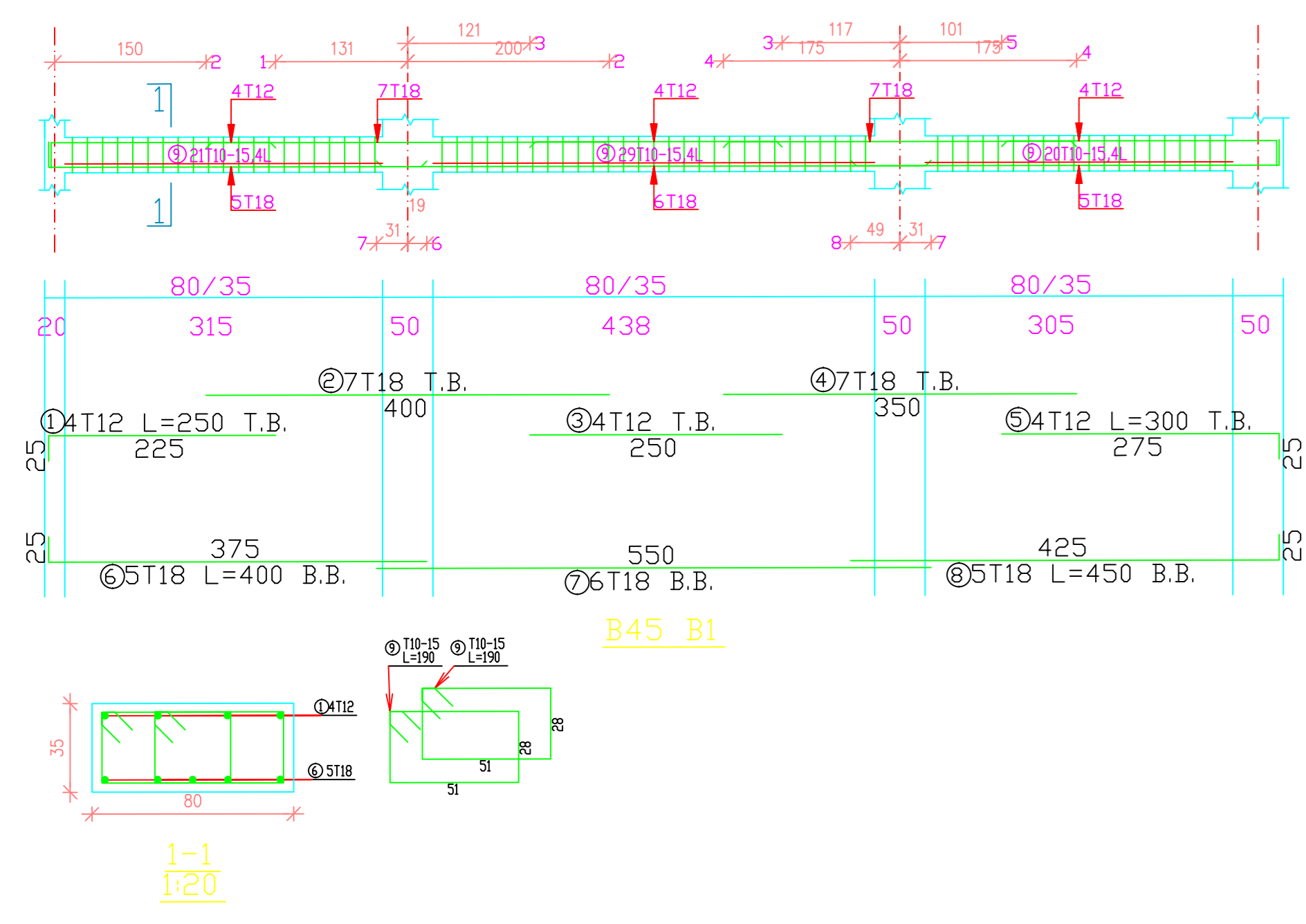
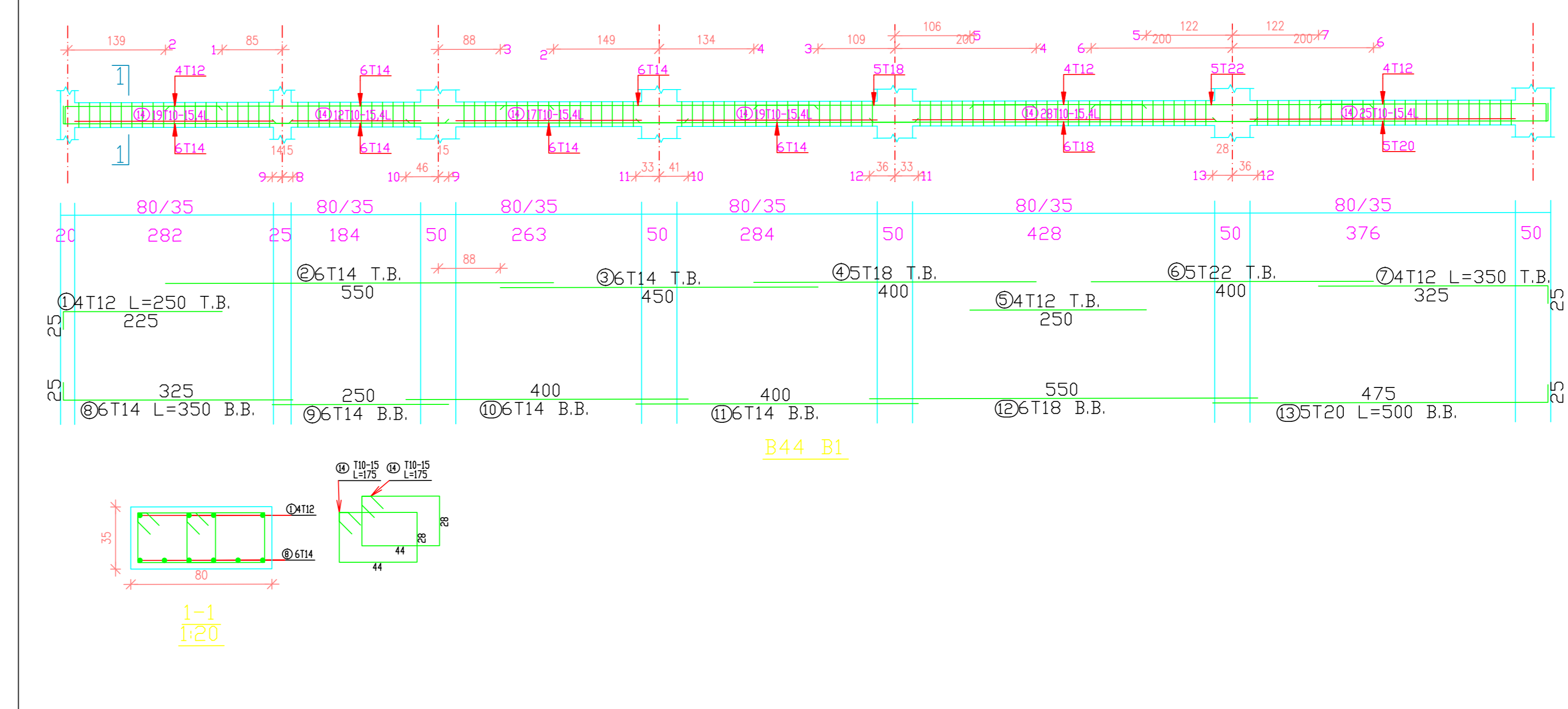
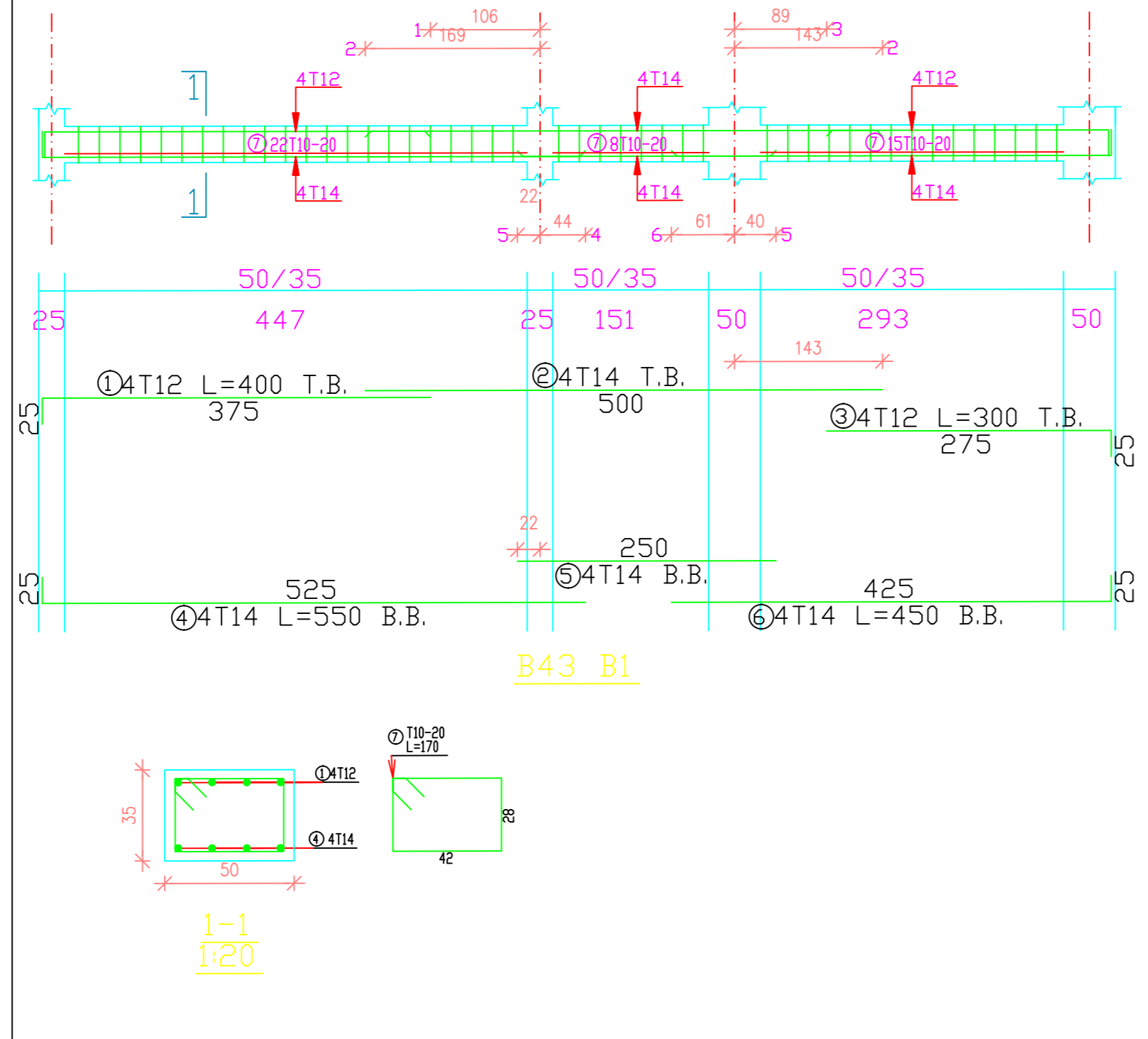
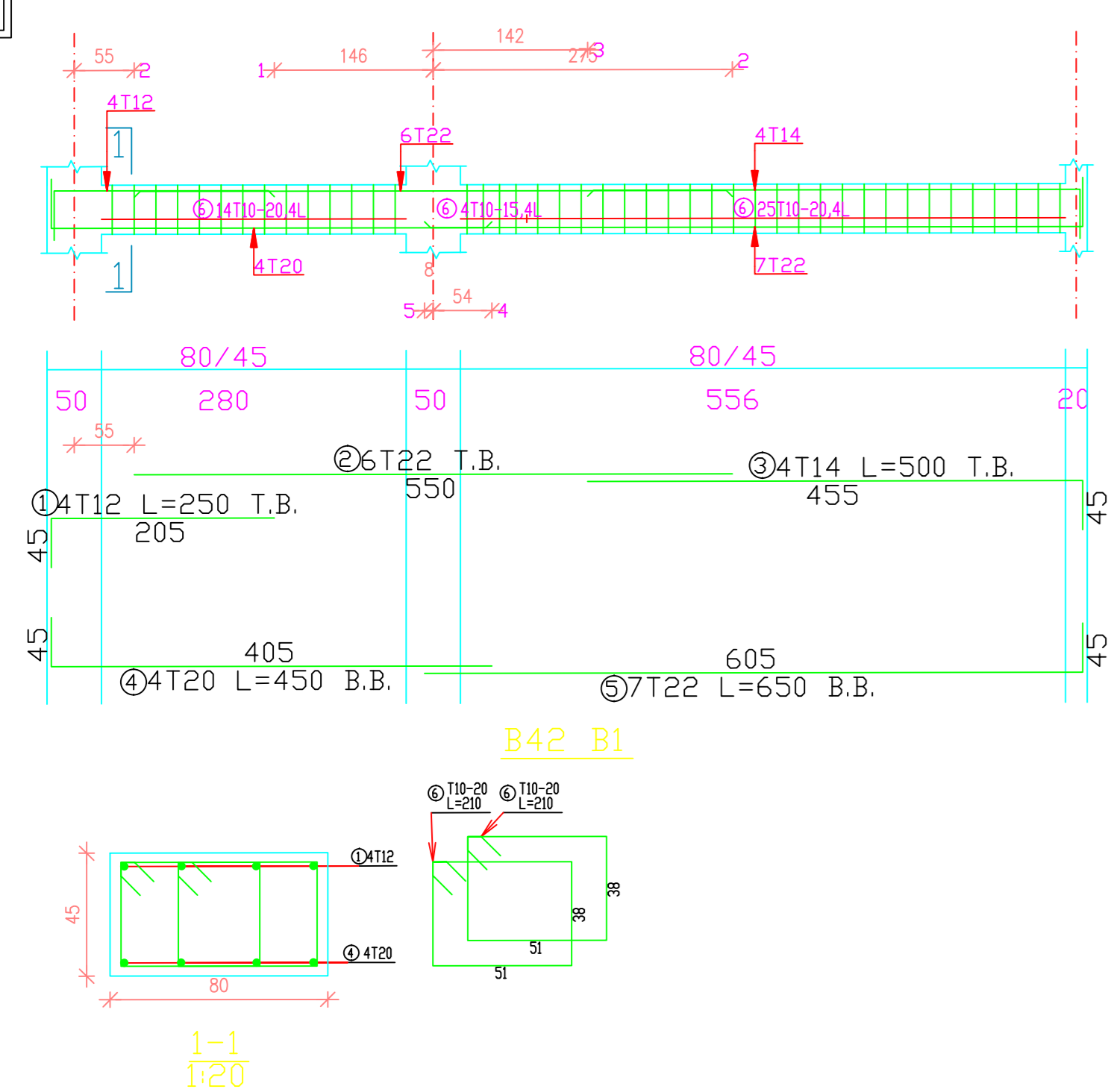
Drawing No :

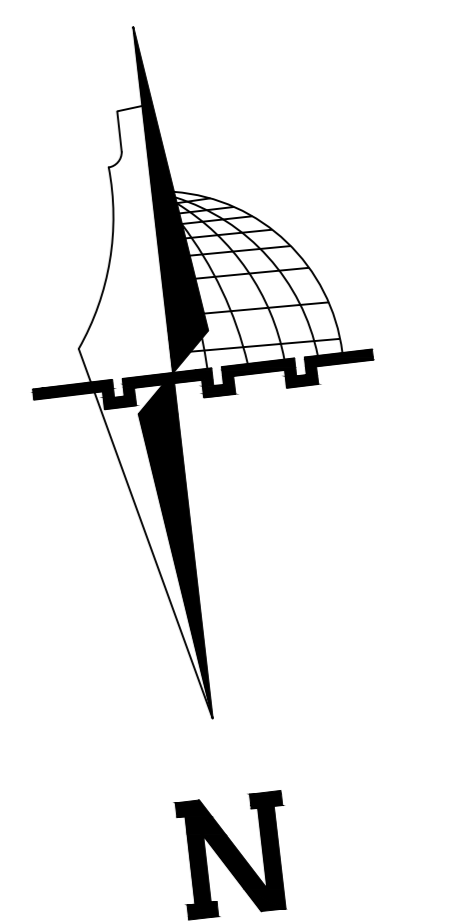
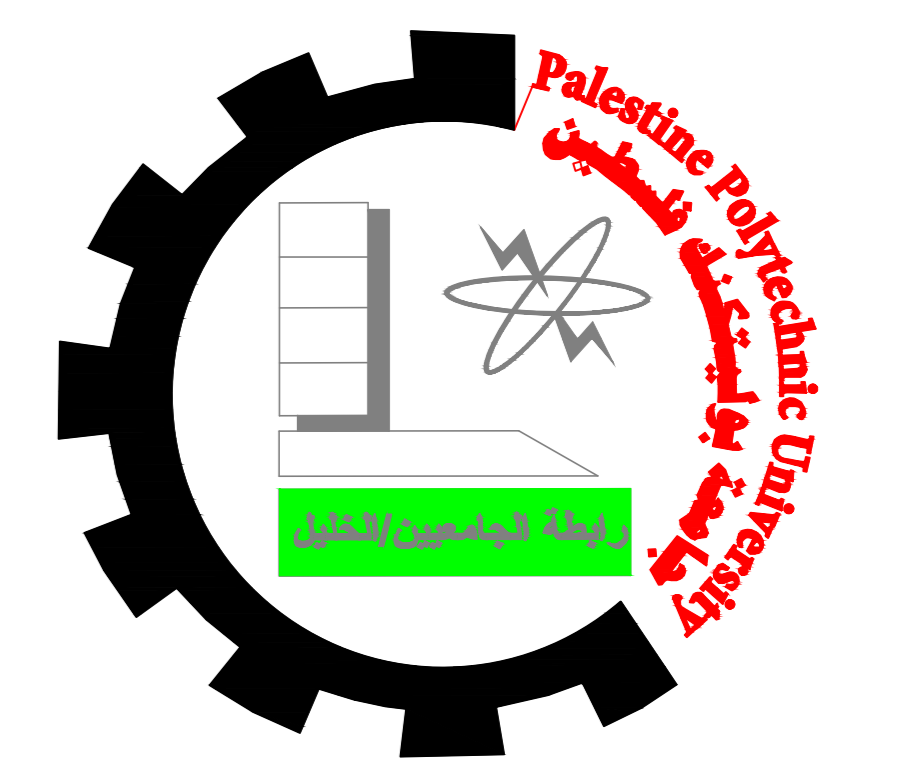
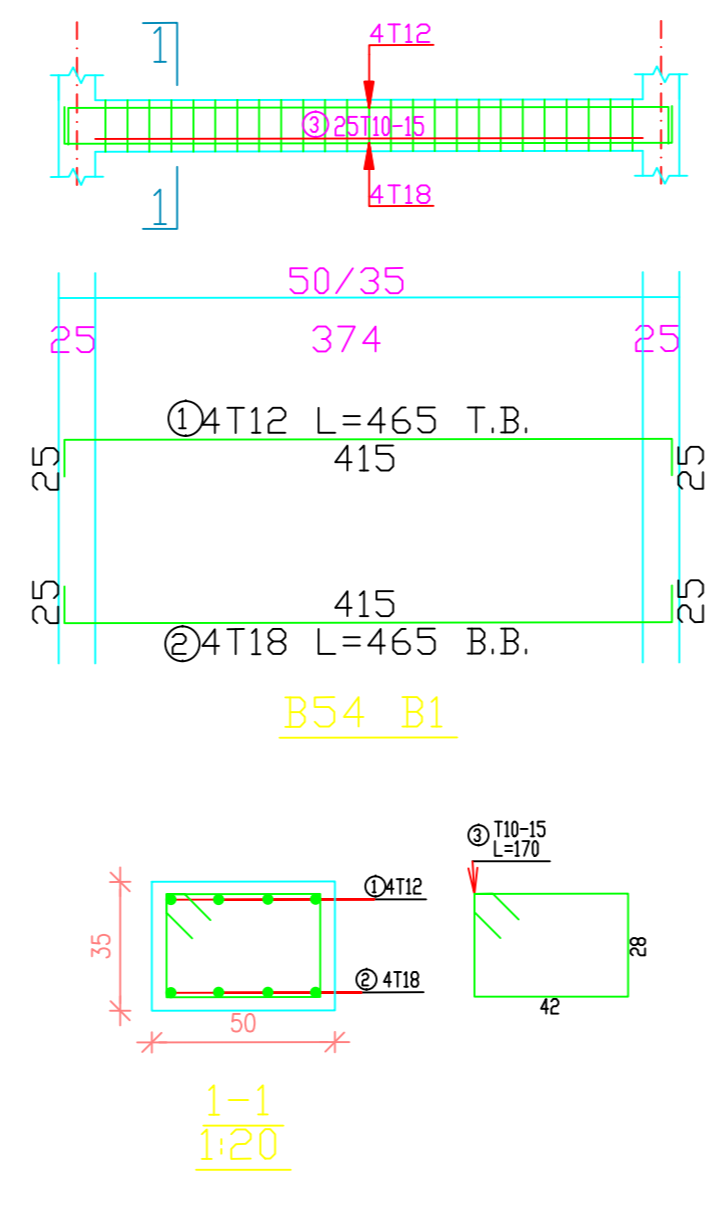
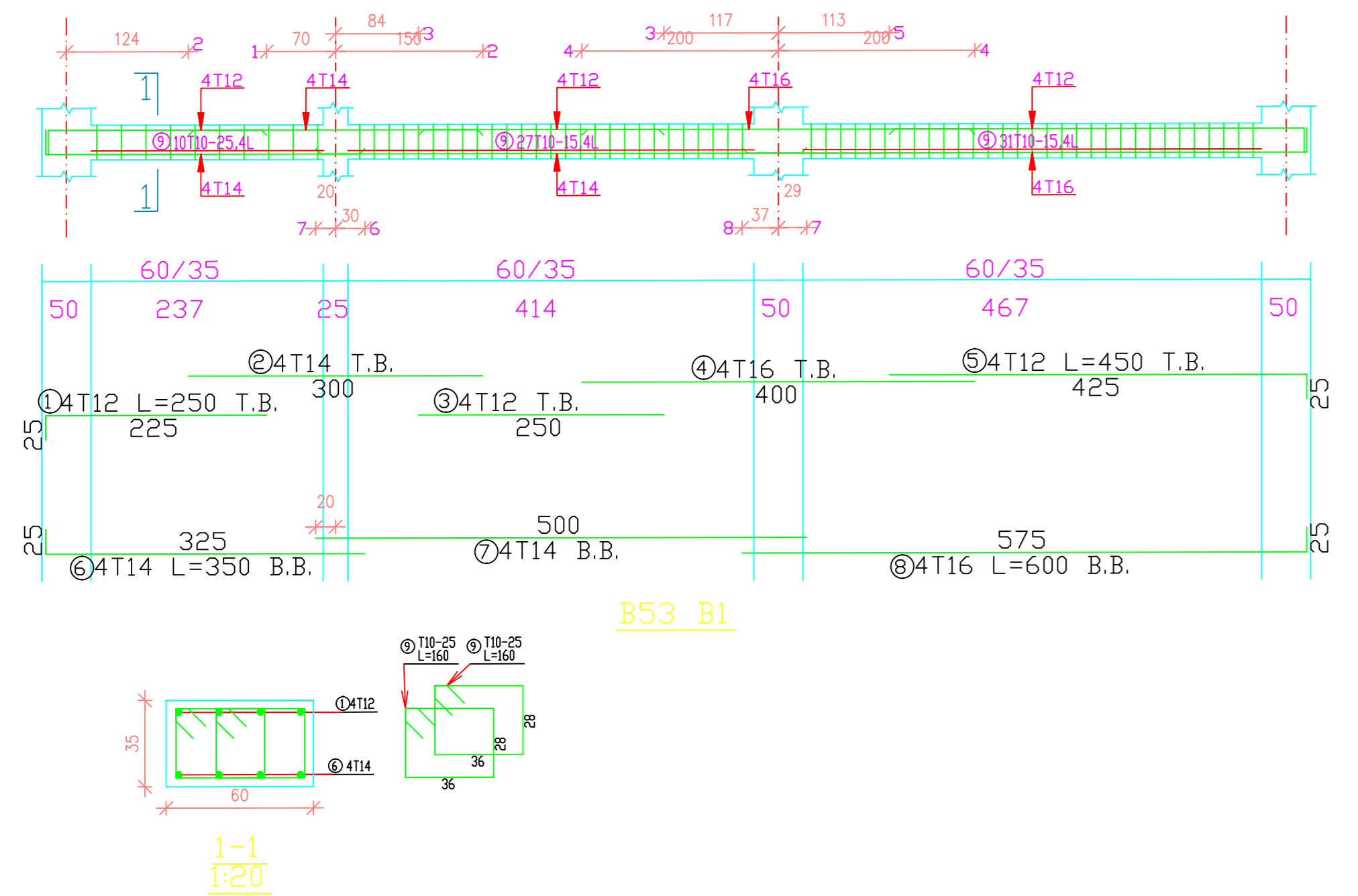
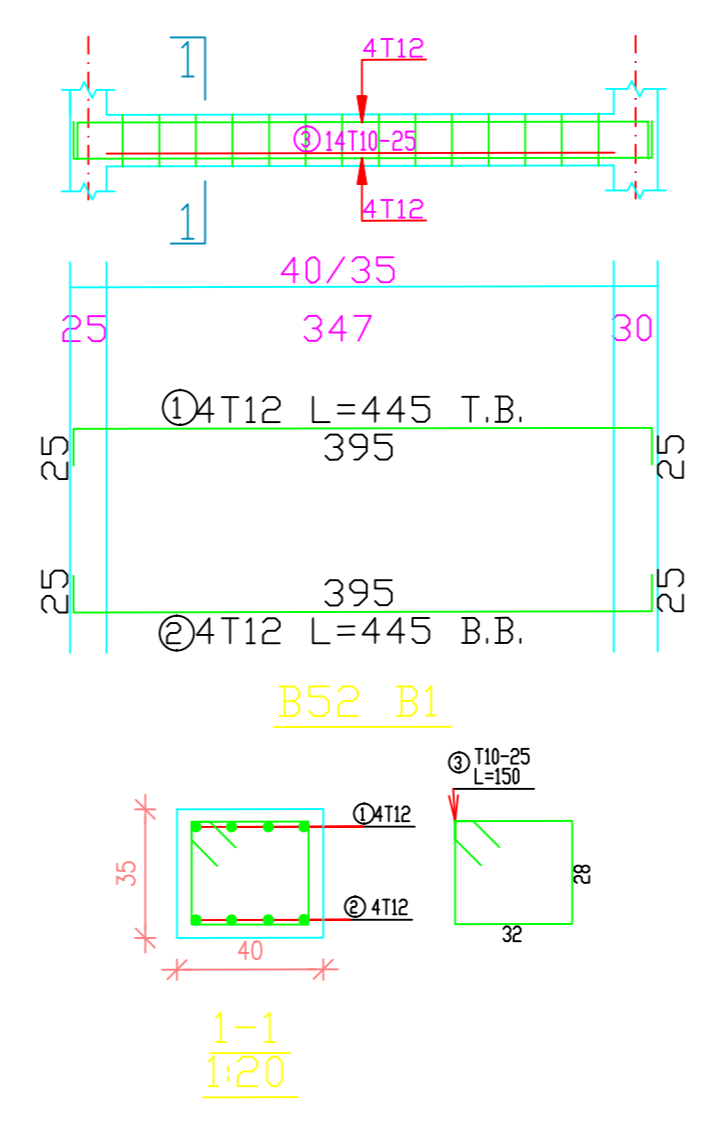
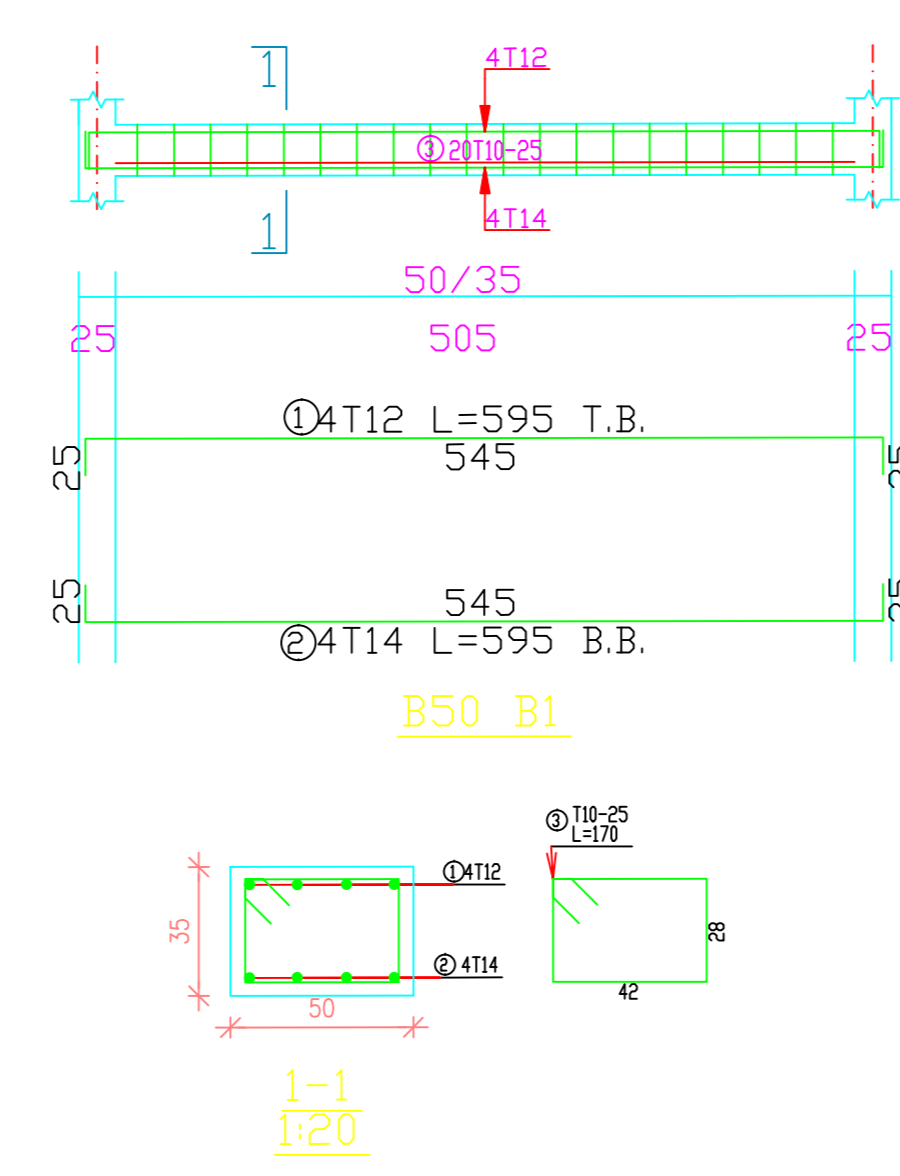
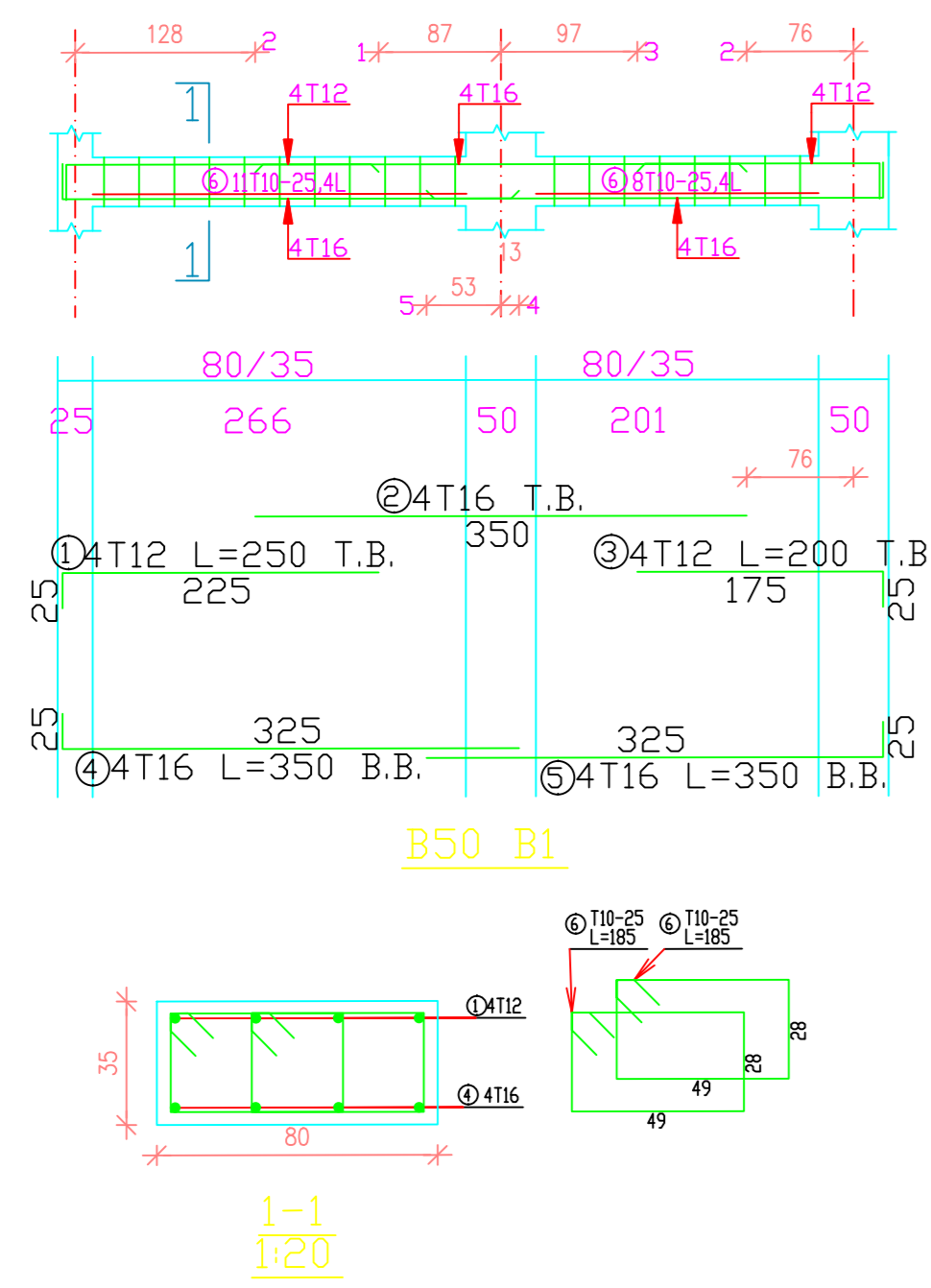
S37

Date : 2/6/2021

View scale 1/50

Cover 4 cm





NOTES:

All Dimensions are in meters unless otherwise shown.
All spot levels are in meters.

Palestine Polytechnic University
Civil. & Arch. Eng. Department
Building Engineering

Project:
Residential Commercial Building

Designed By:
Feras Abo-Aljaysh
Noor Beiwat
Anas Jobran

Supervisor:
Eng. Mai Haddad

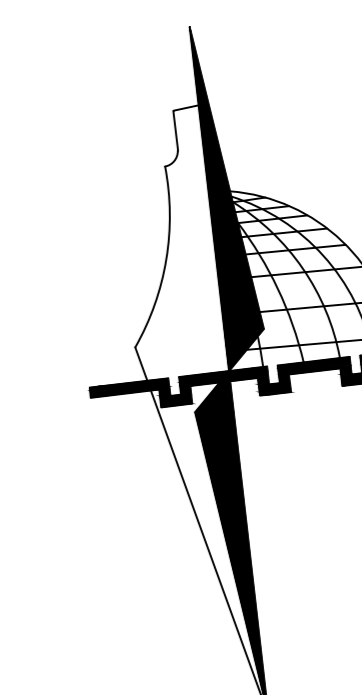
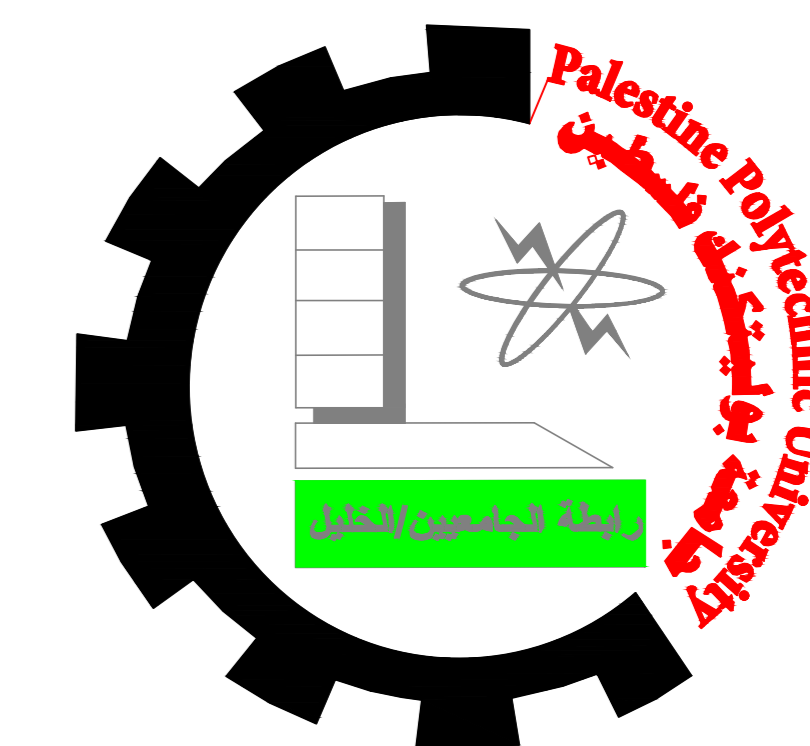
Drawing Title:
Beams Details

Drawing No:
S 38

Date: 2/6/2021

View scale: 1/50

Cover: 4 cm



N

NOTES:

All Dimensions are in meters unless otherwise shown.

All spot levels are in meters.

Palestine Polytechnic University
Civil. & Arch. Eng. Department
Building Engineering

Project:

Residential Commercial Building

Designed By:

Feras Abo-Aljraysh
 Noor Beiwat
 Anas Jobran

Supervisor:

Eng.Mai Haddad

Drawing Title:

Beams Details

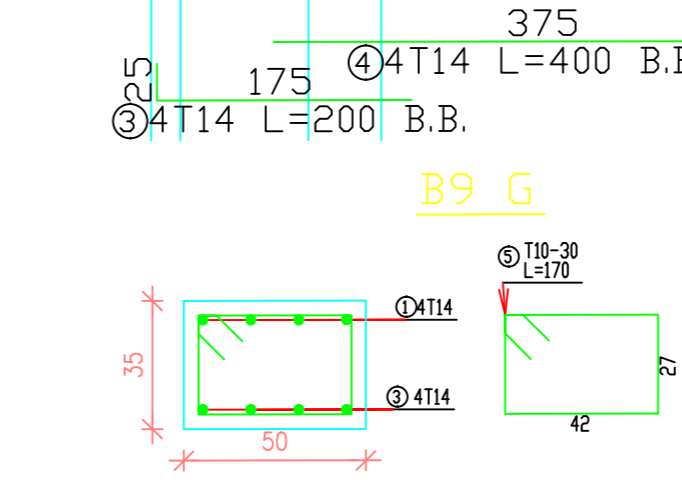
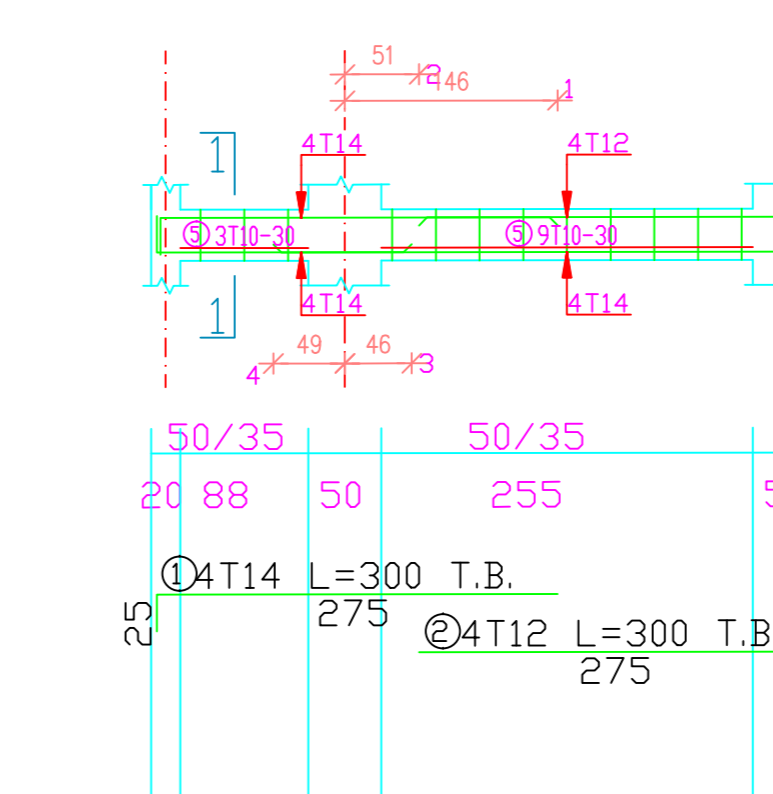
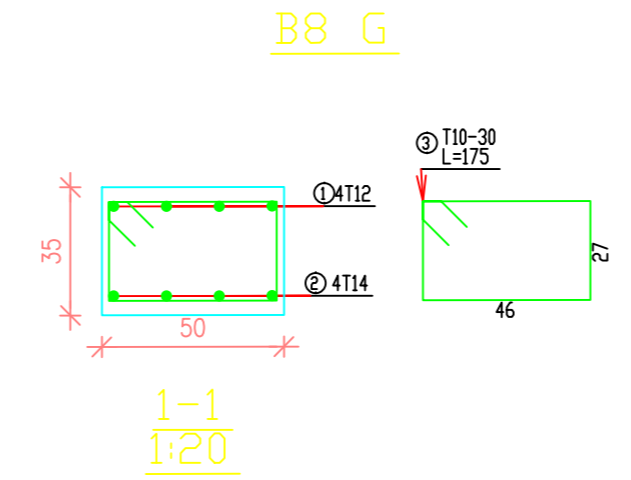
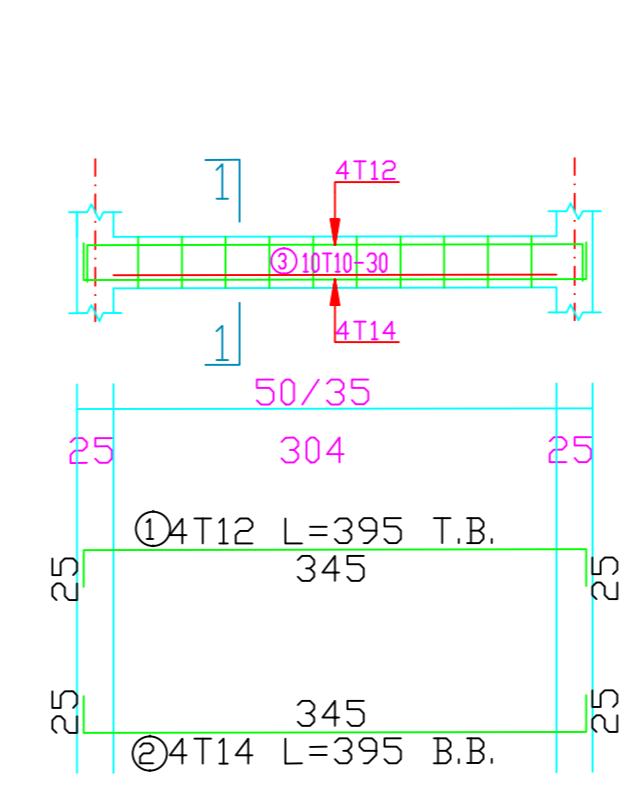
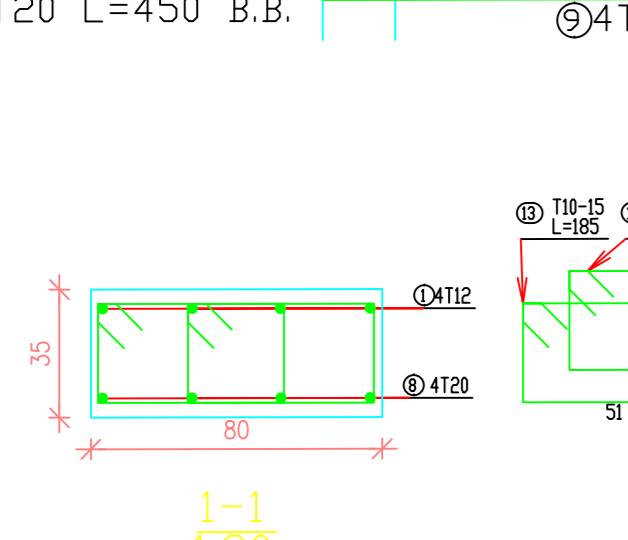
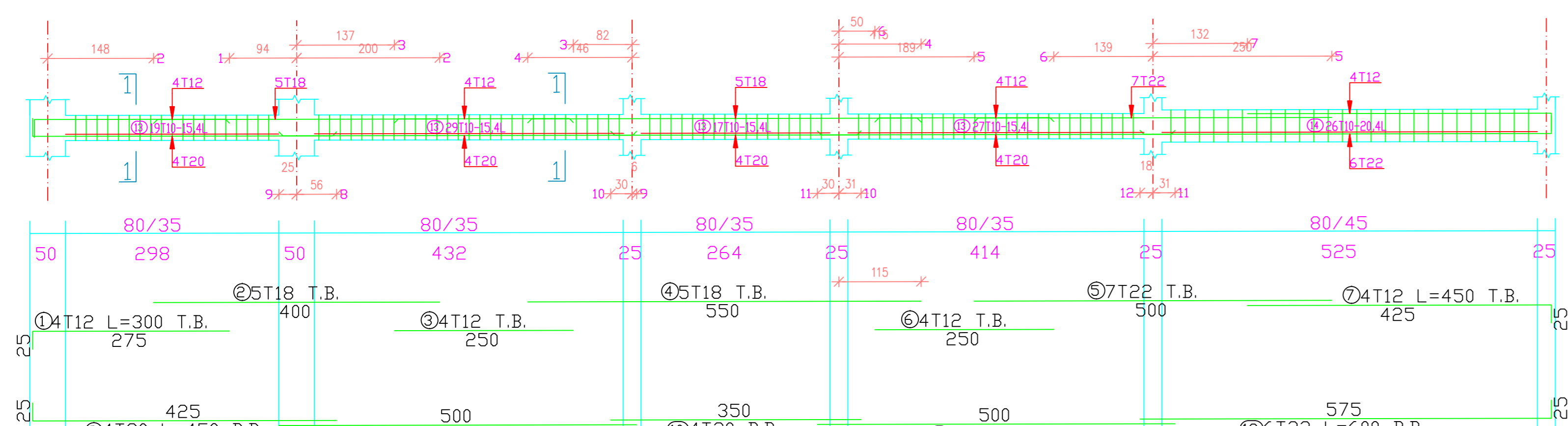
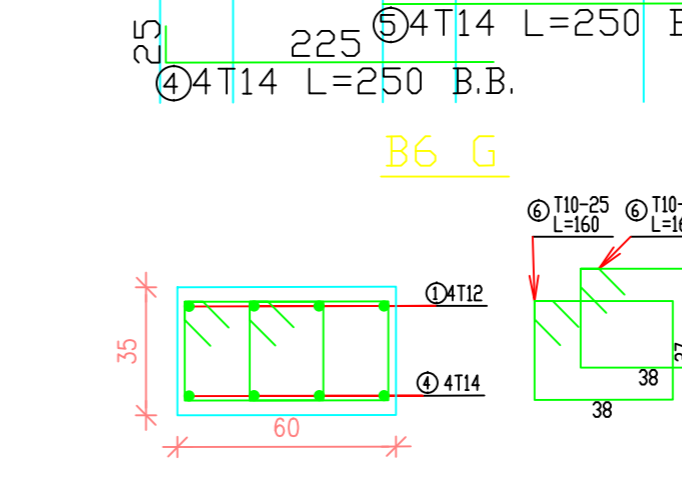
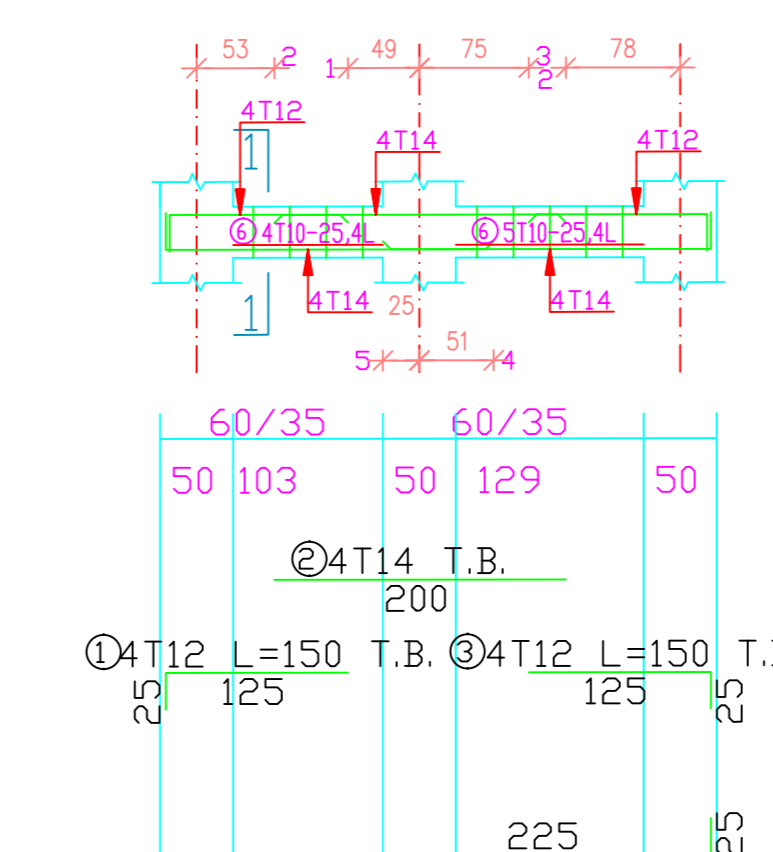
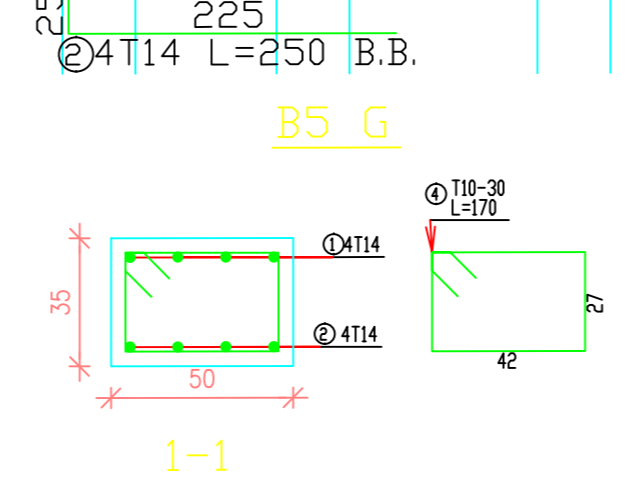
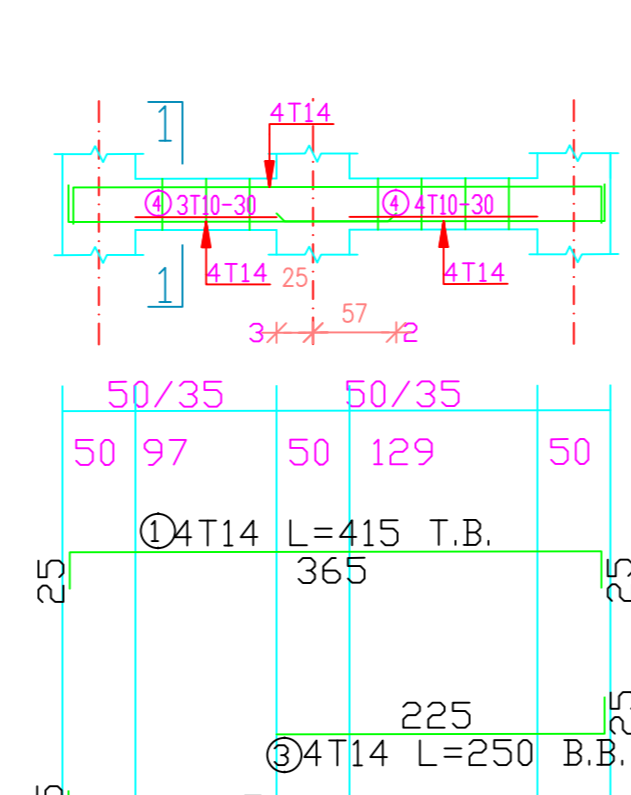
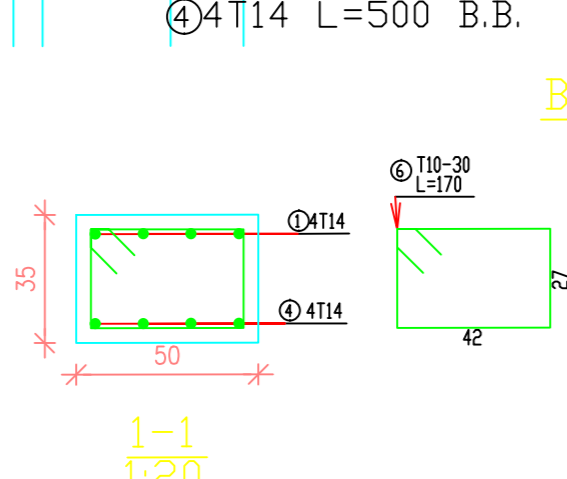
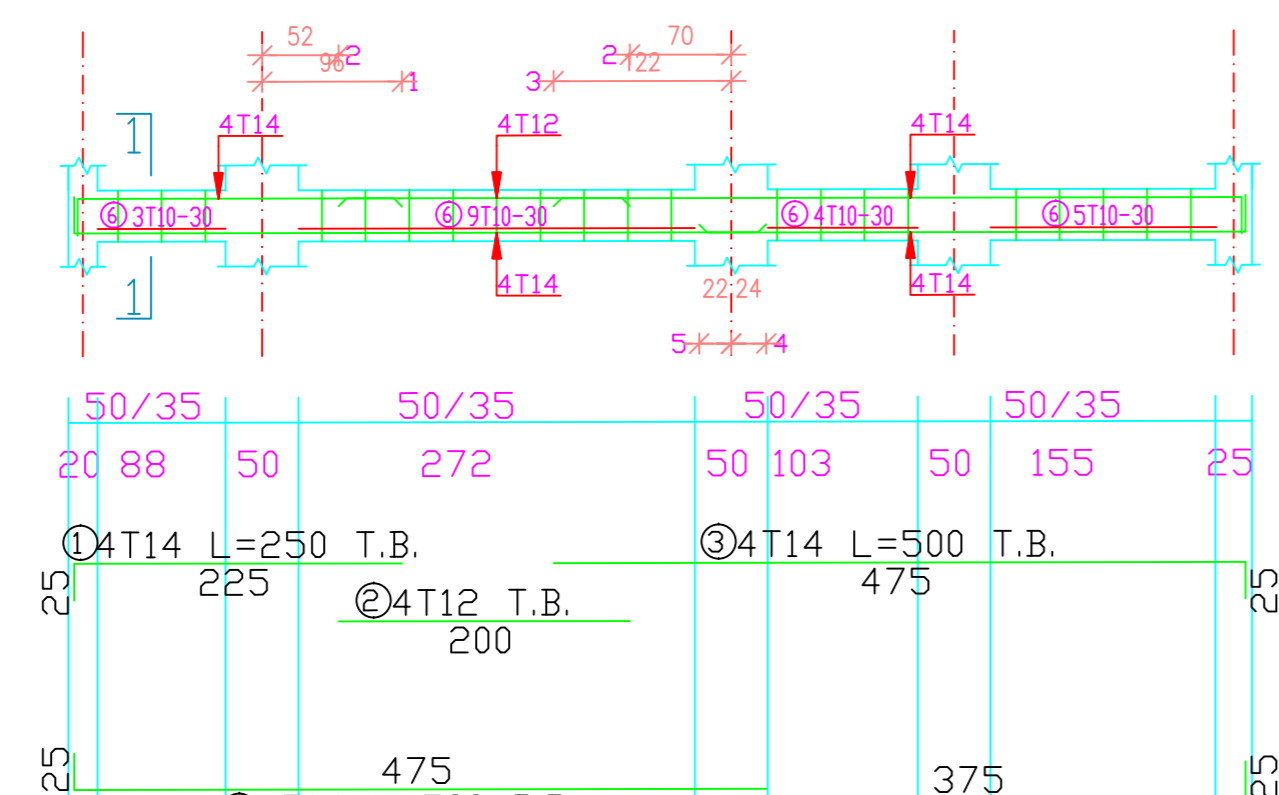
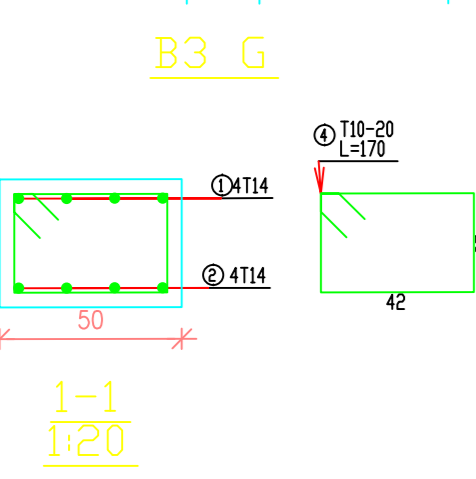
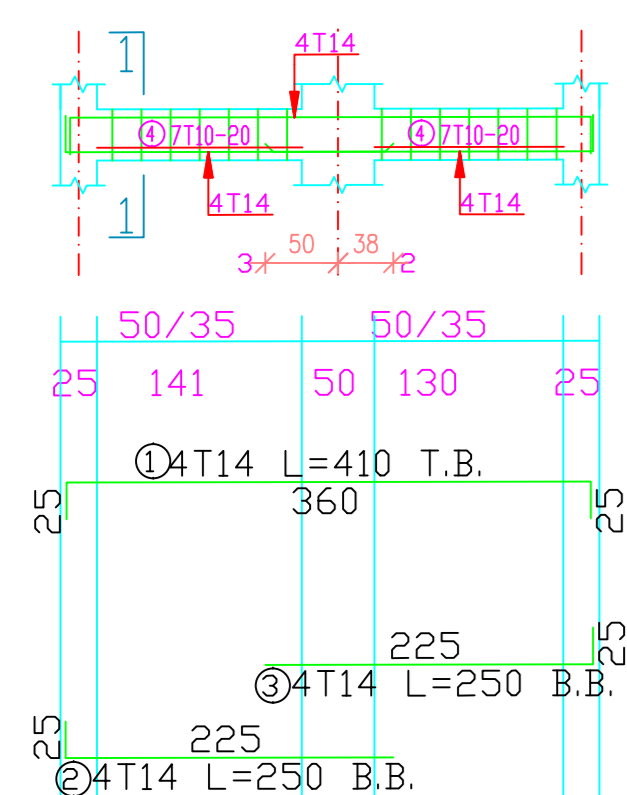
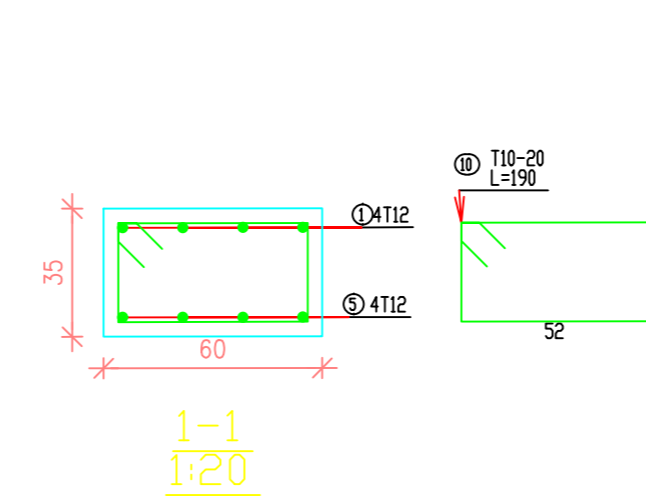
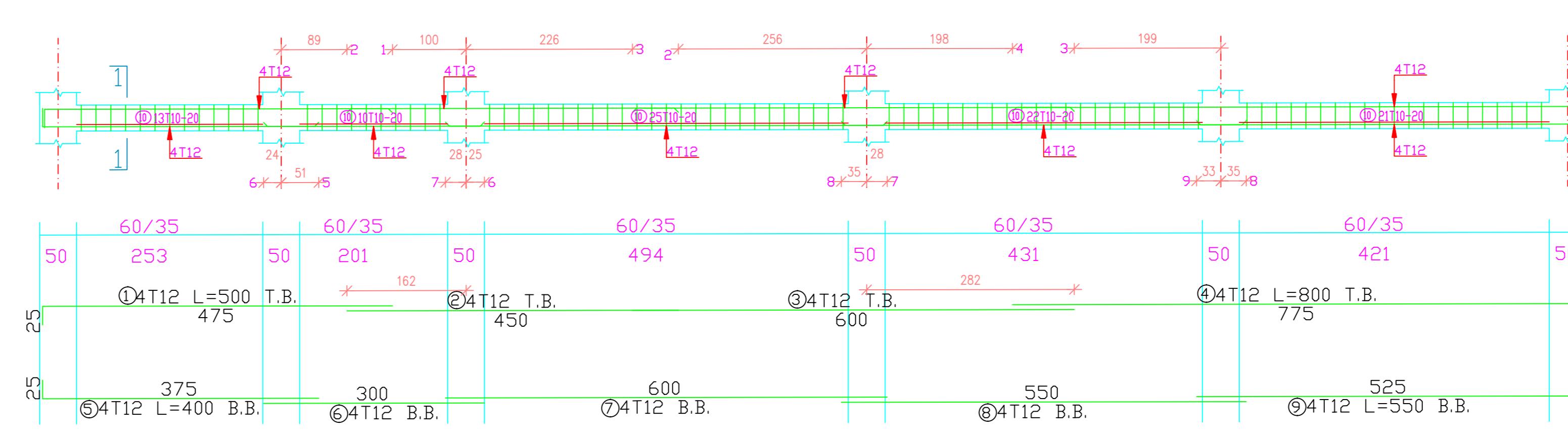
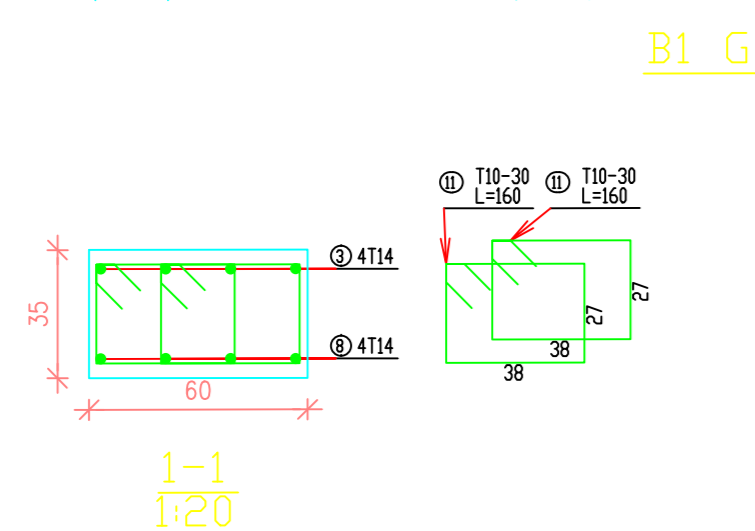
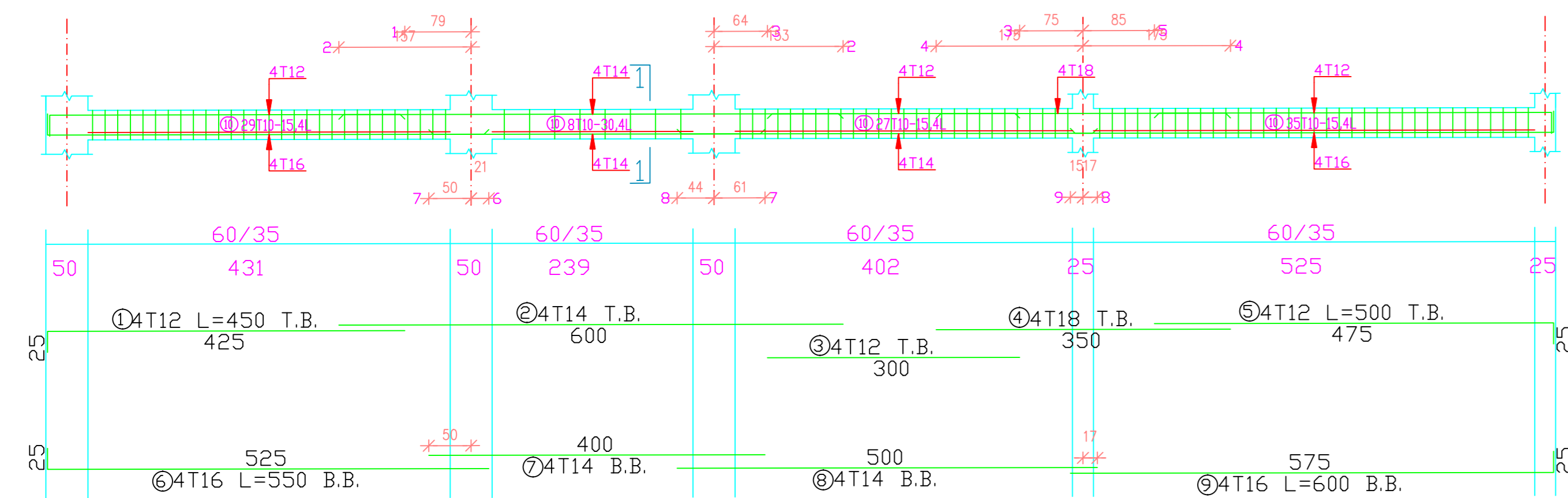
Drawing No.:

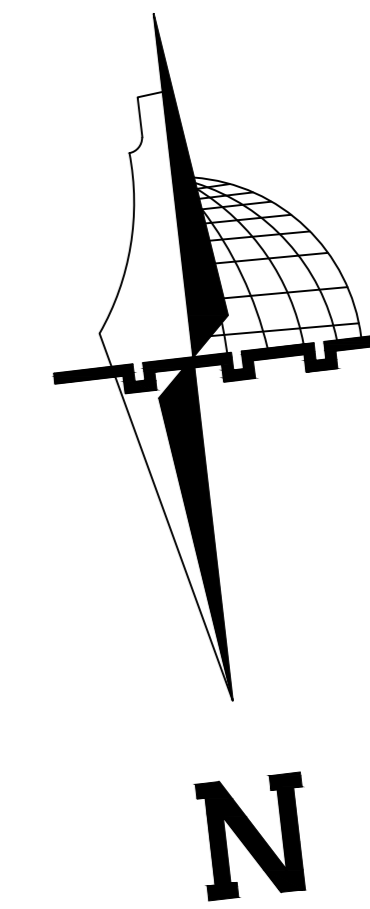
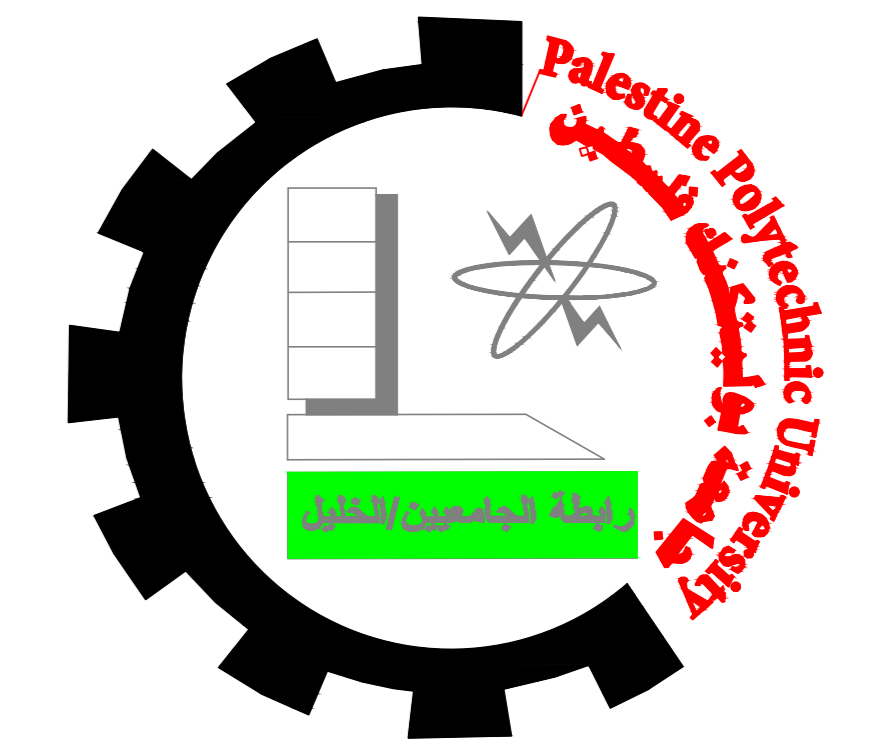
S 39

Date : 2/6/2021

View scale 1/50

Cover 4 cm





NOTES:

All Dimensions are in meters unless otherwise shown.

All spot levels are in meters.

Palestine Polytechnic University
Civil. & Arch. Eng. Department

Building Engineering

Project:

Residential Commercial Building

Designed By:

Feras Abo-Aljraysh
Noor Beiwat
Anas Jobran

Supervisor:

Eng.Mai Haddad

Drawing Title:

Beams Details

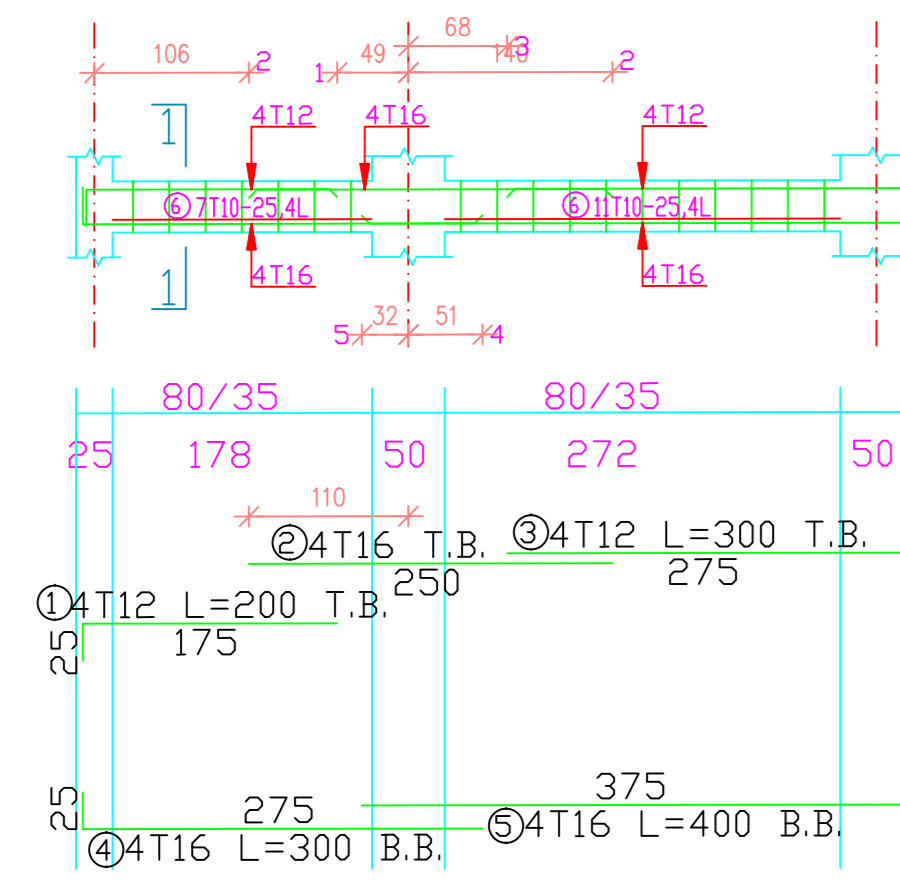
Drawing No.:

S 40

Date : 2/6/2021

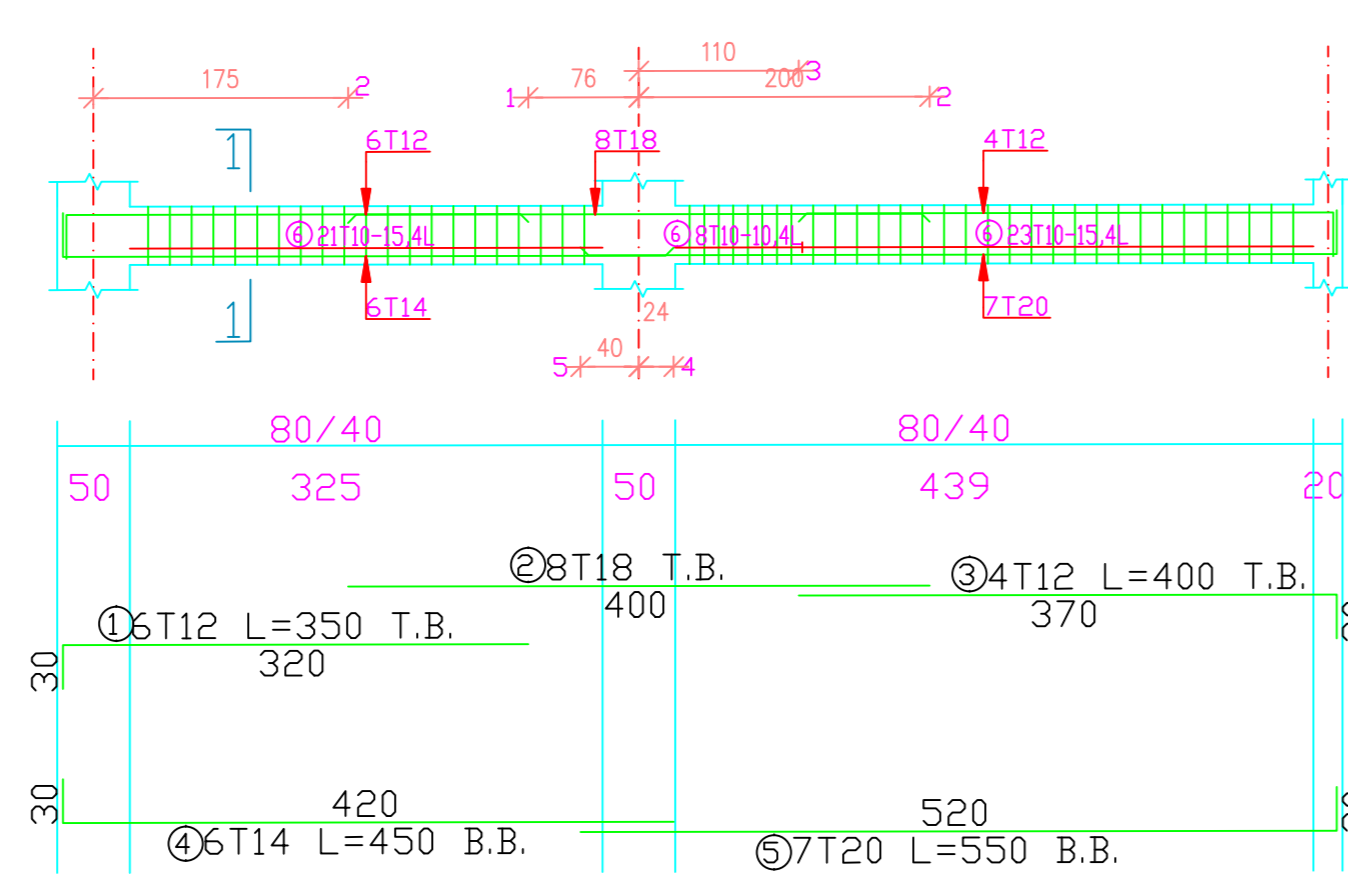
View scale 1/50

Cover 4 cm



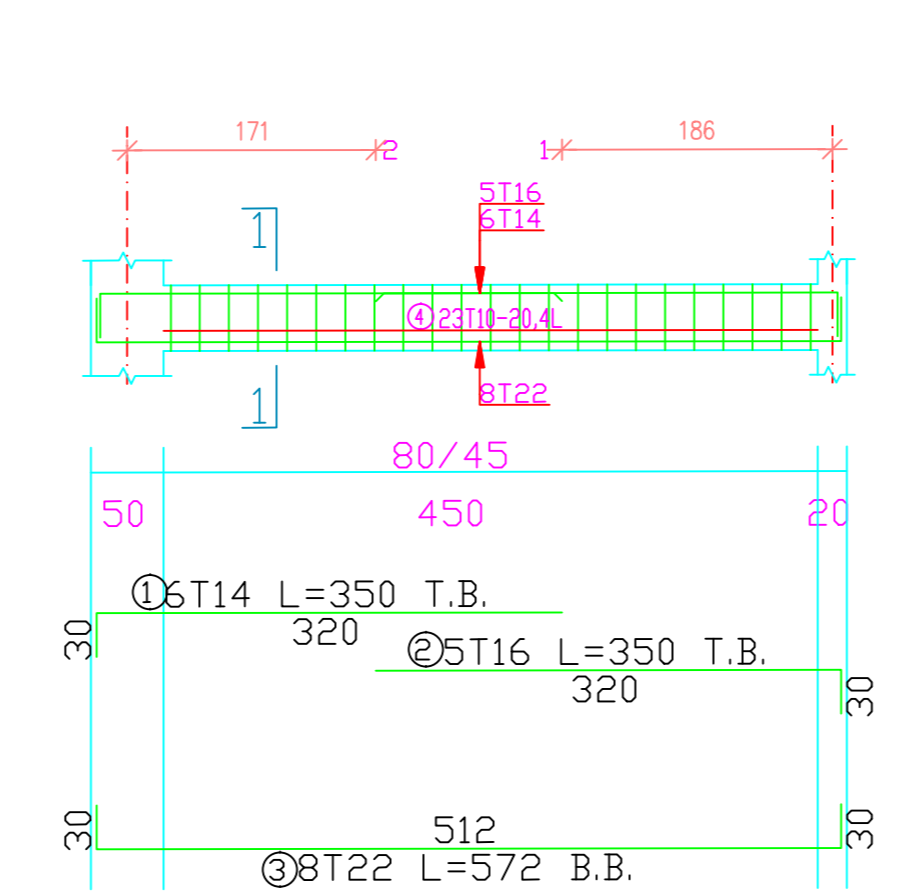
B10 G

1-1
1/20



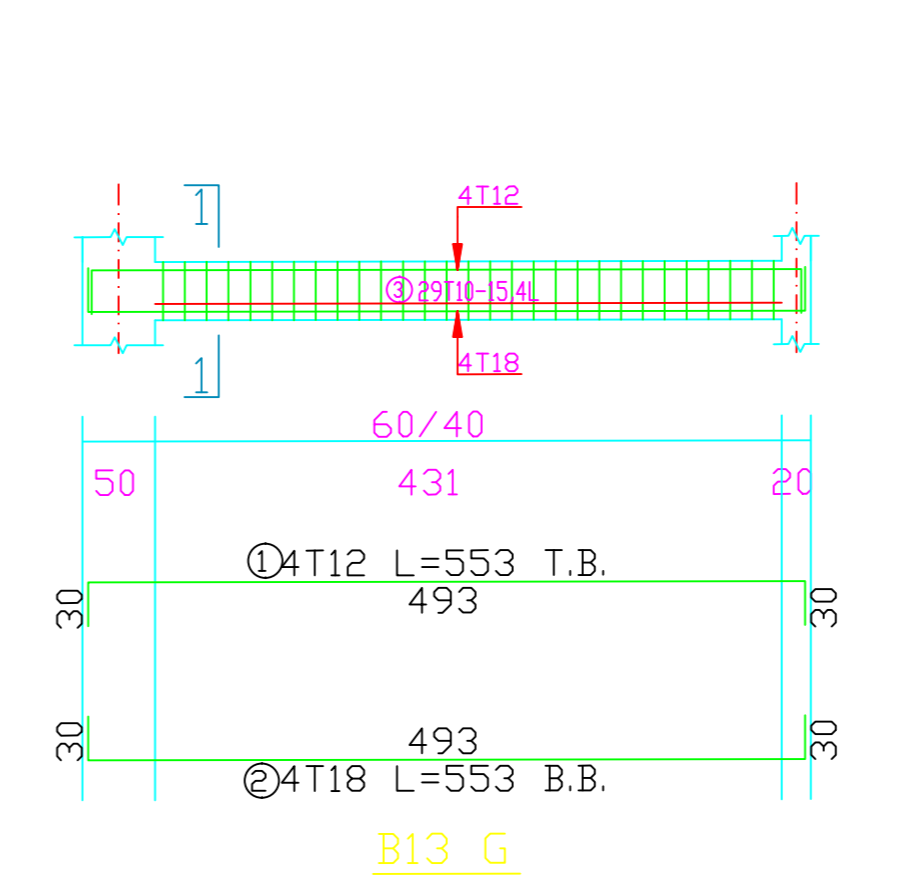
B11 G

1-1
1/20



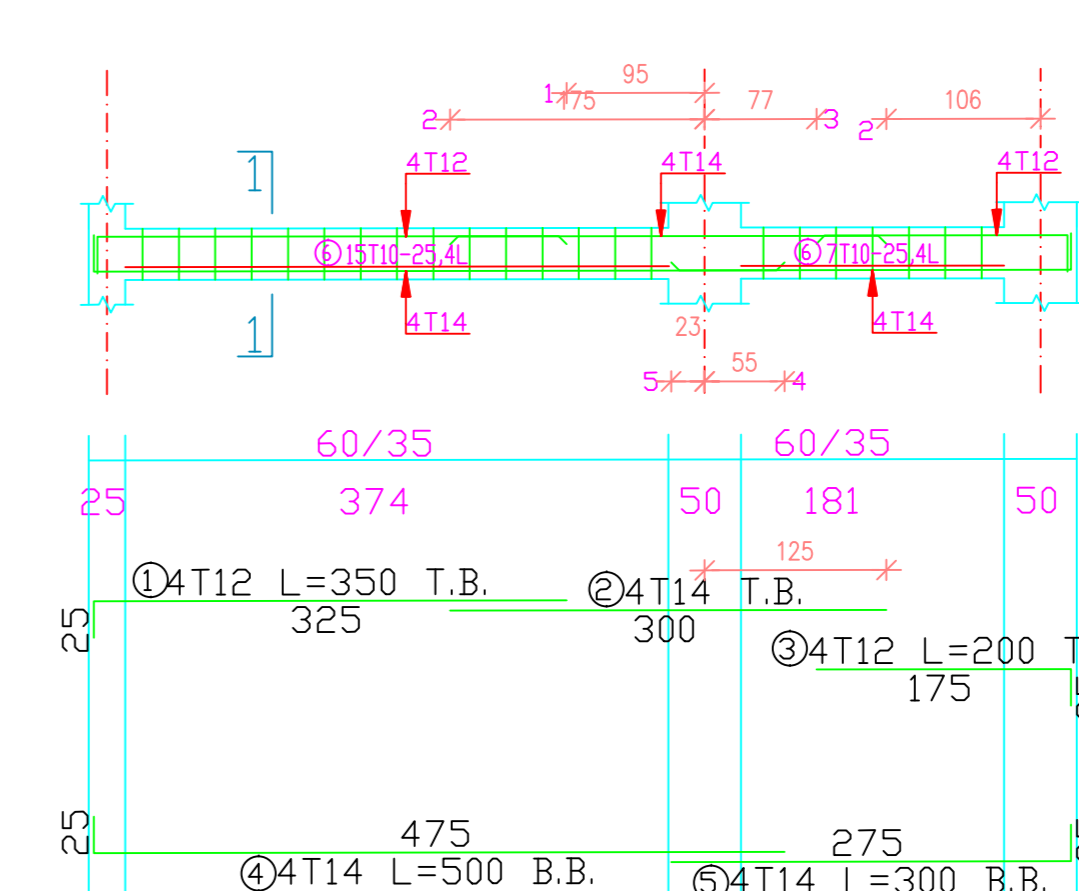
B12 G

1-1
1/20



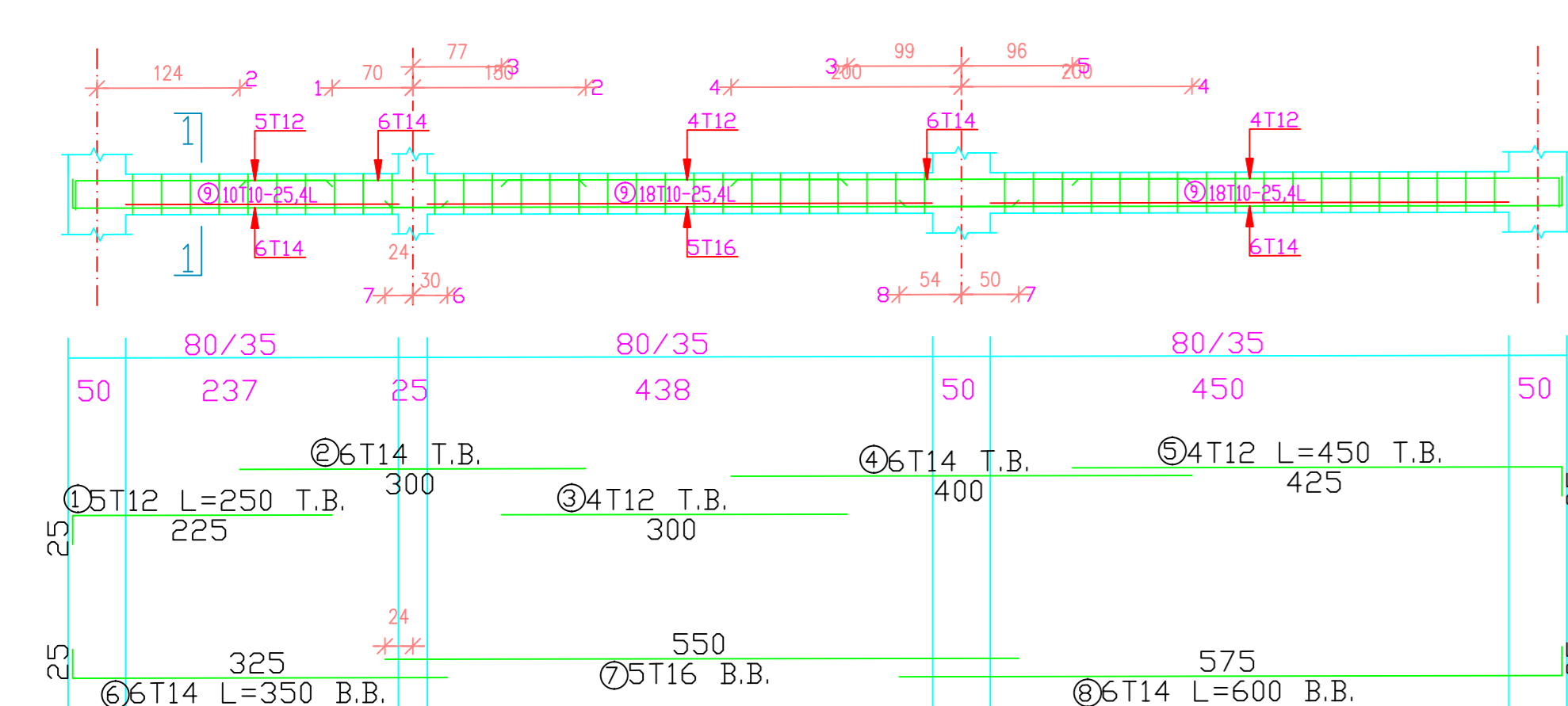
B13 G

1-1
1/20



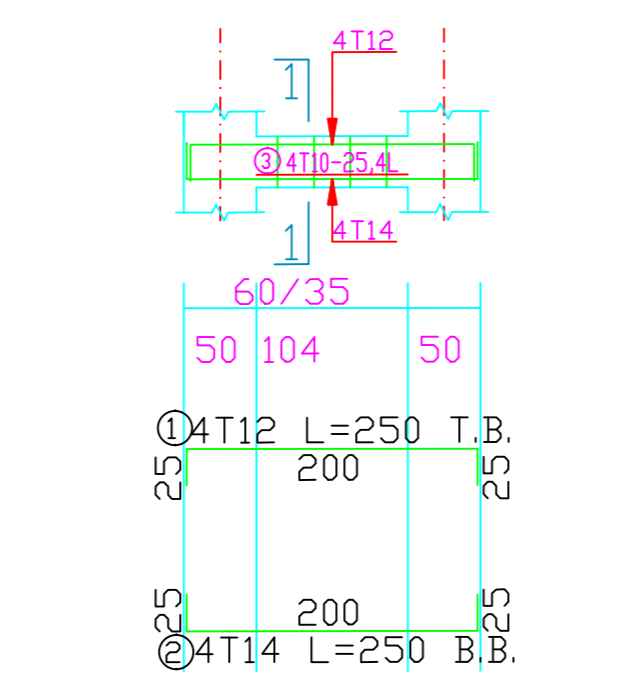
B14 G

1-1
1/20



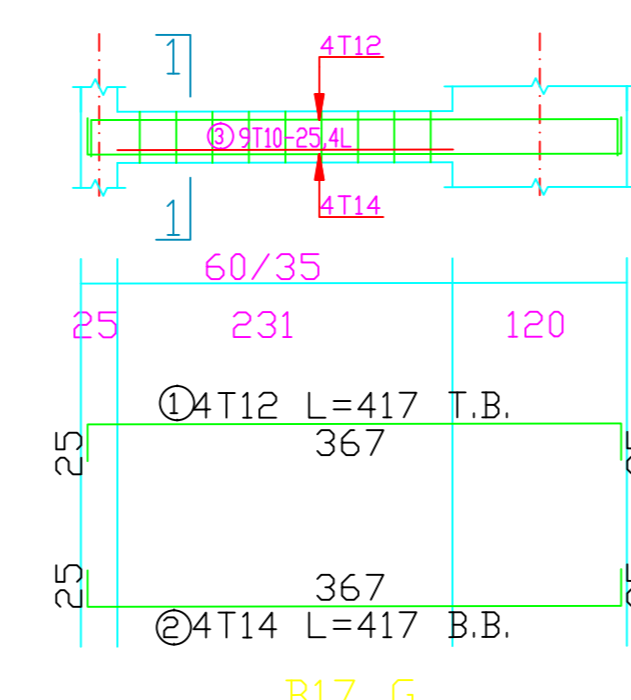
B15 G

1-1
1/20



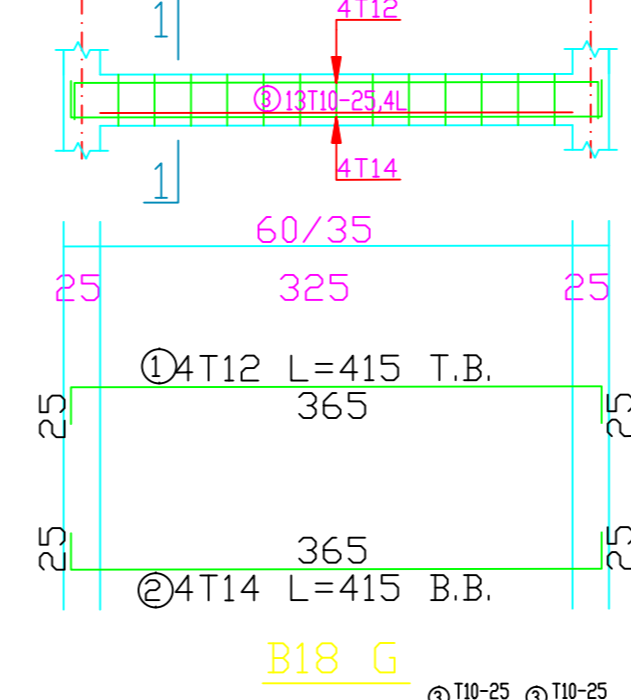
B16 G

1-1
1/20



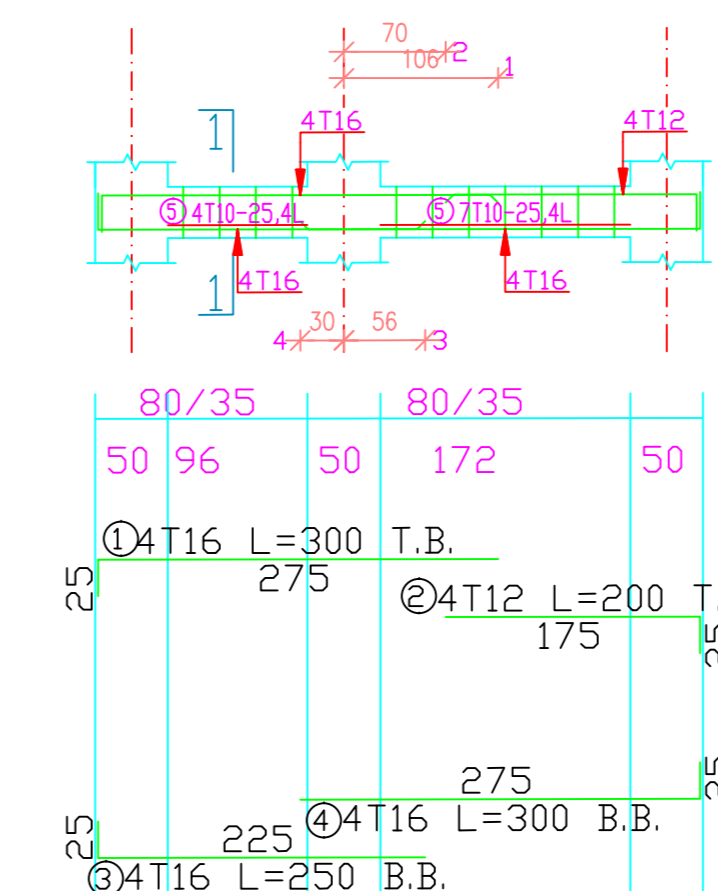
B17 G

1-1
1/20



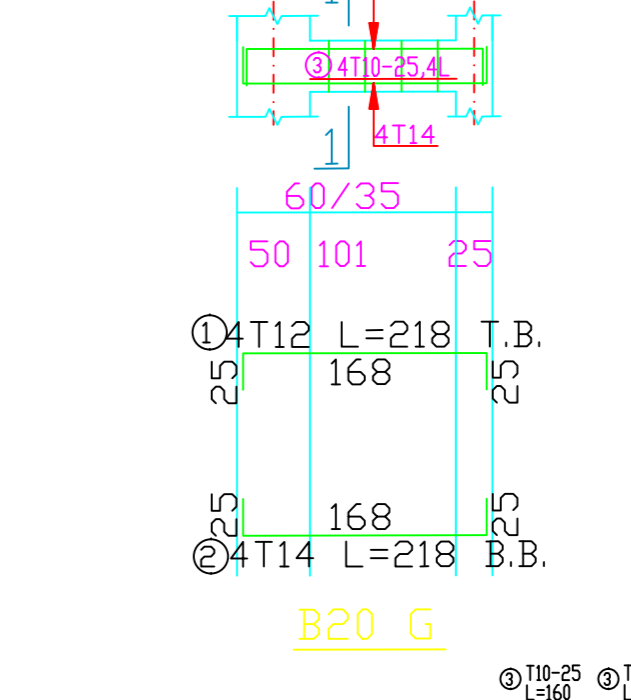
B18 G

1-1
1/20



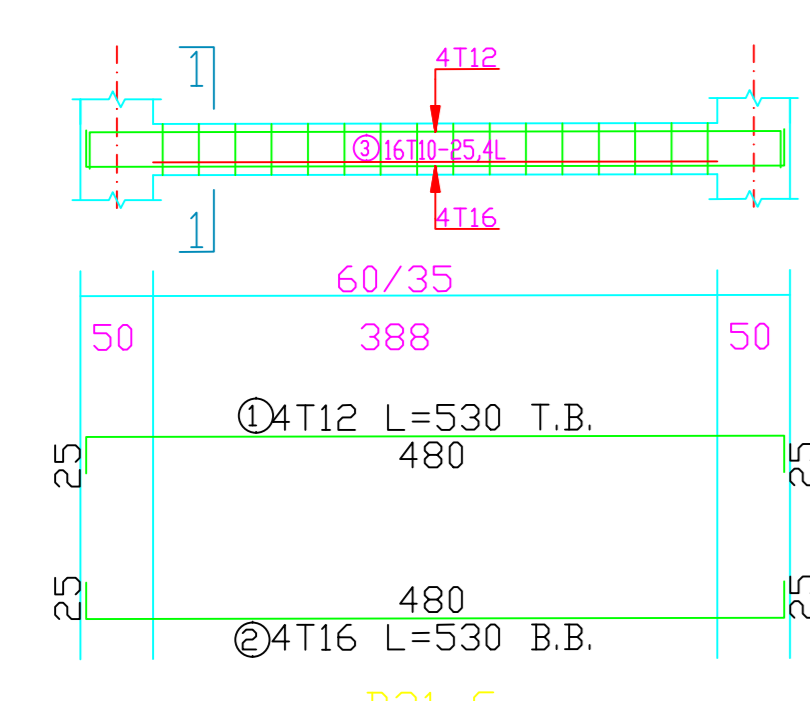
B19 G

1-1
1/20



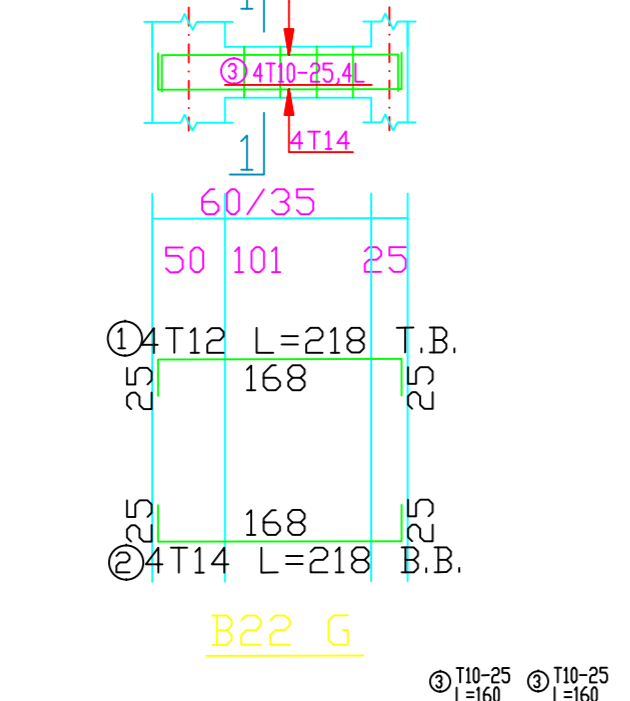
B20 G

1-1
1/20



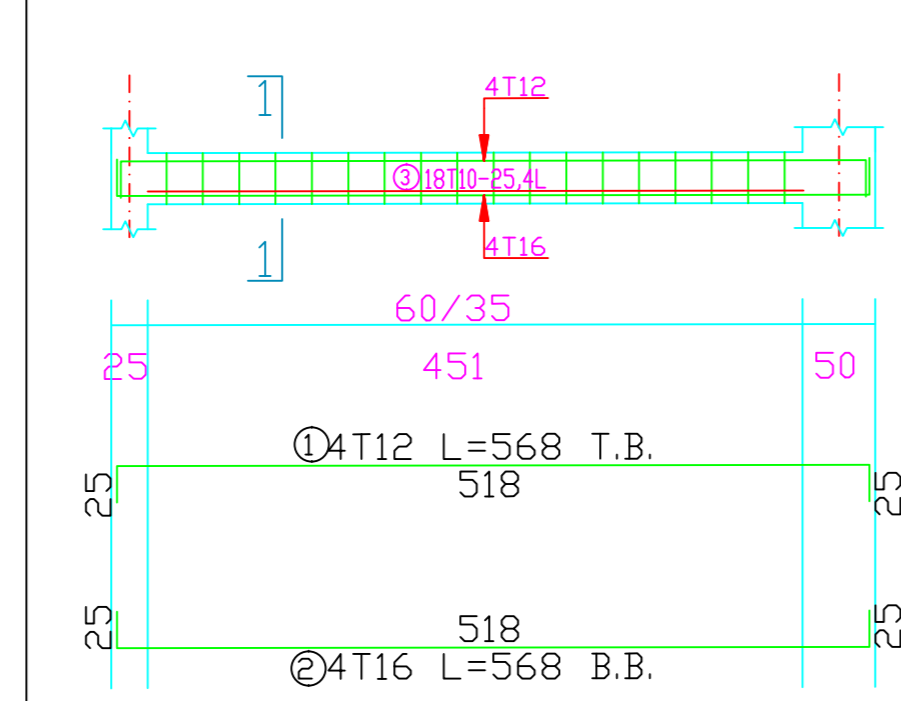
B21 G

1-1
1/20



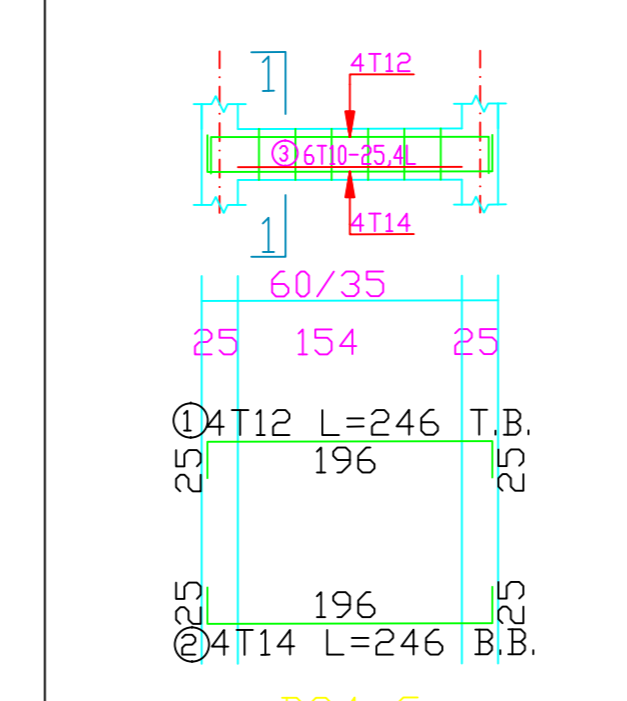
B22 G

1-1
1/20



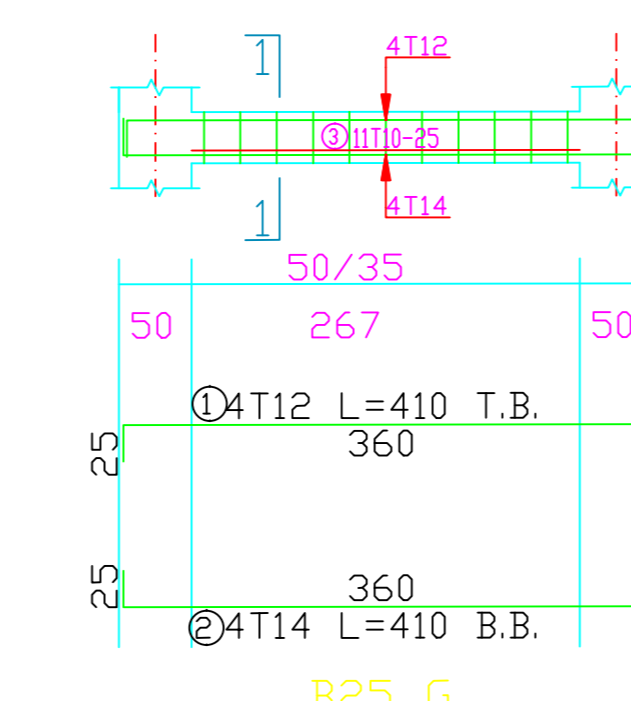
B23 G

1-1
1/20



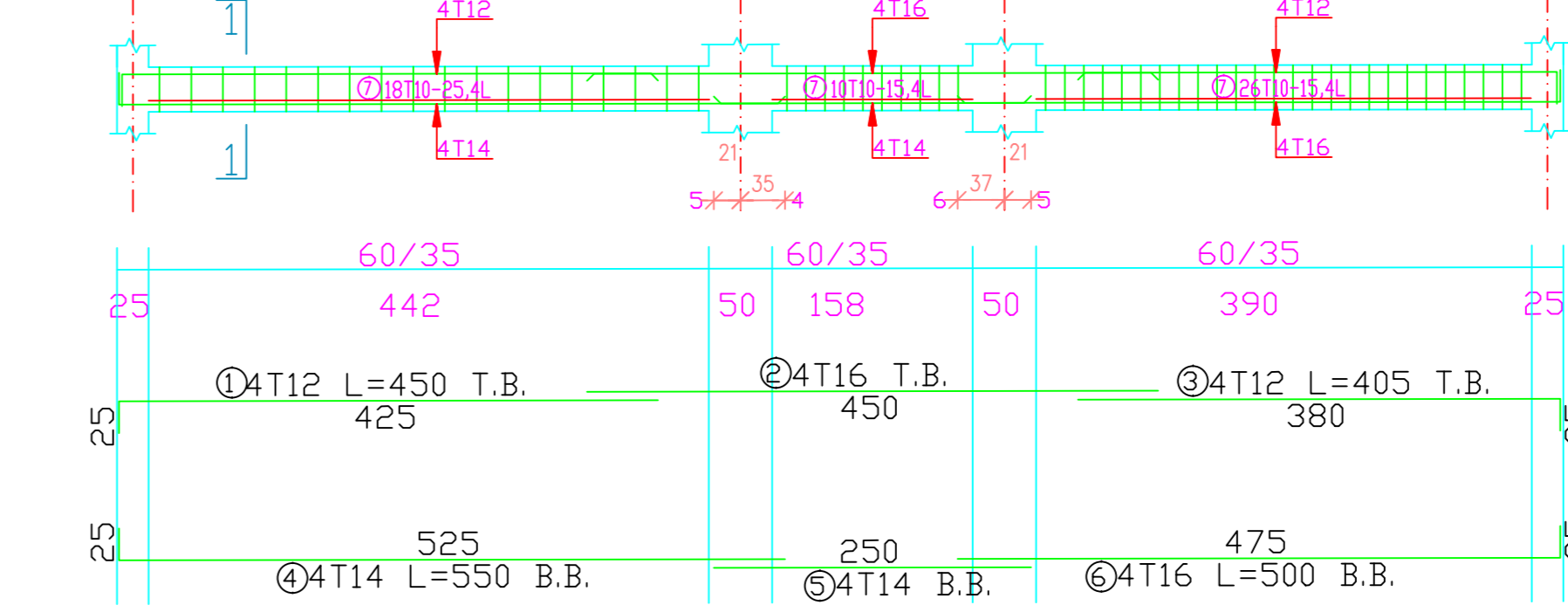
B24 G

1-1
1/20



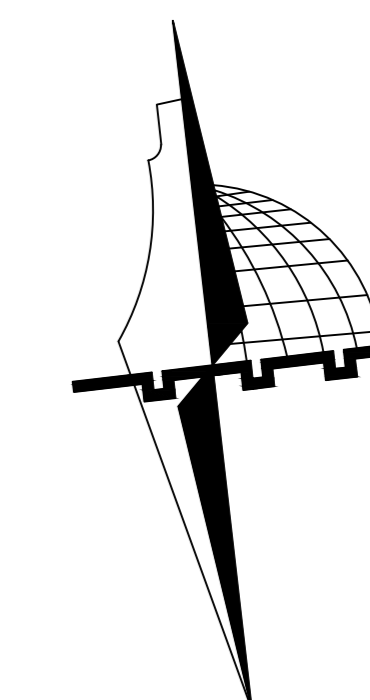
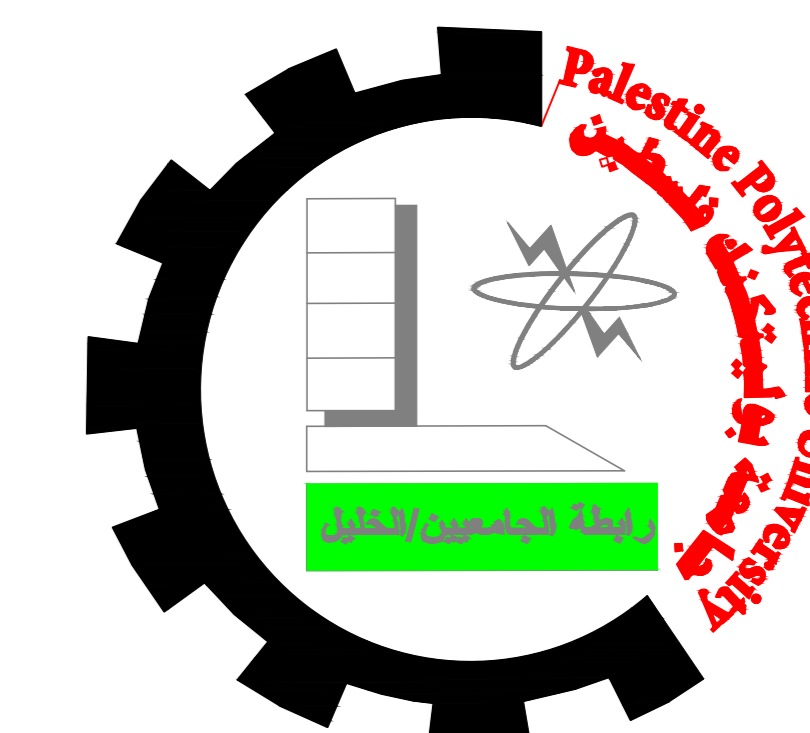
B25 G

1-1
1/20



B26 G

1-1
1/20



N

NOTES:

All Dimensions are in meters unless otherwise shown.

All spot levels are in meters.

Palestine Polytechnic University
Civil. & Arch. Eng. Department

Building Engineering

Project :

Residential Commercial Building

Designed By :

Feras Abo-Aljaysh
Noor Beiwat
Anas Jobran

Supervisor :

Eng.Mai Haddad

Drawing Title :

Beams Details

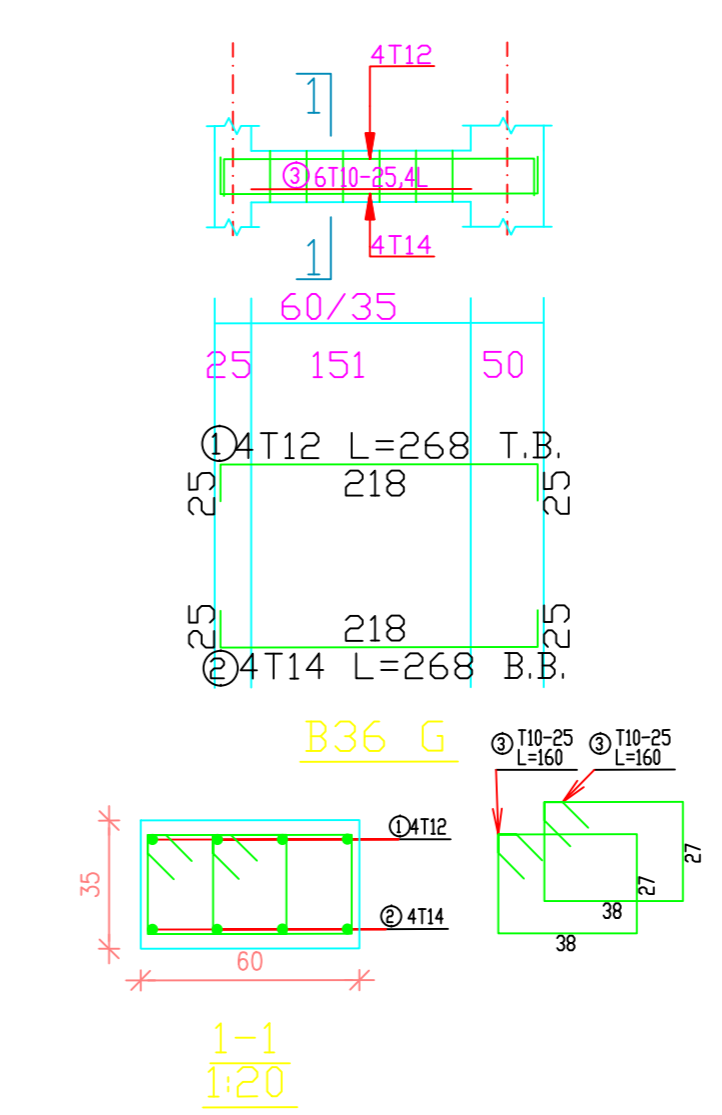
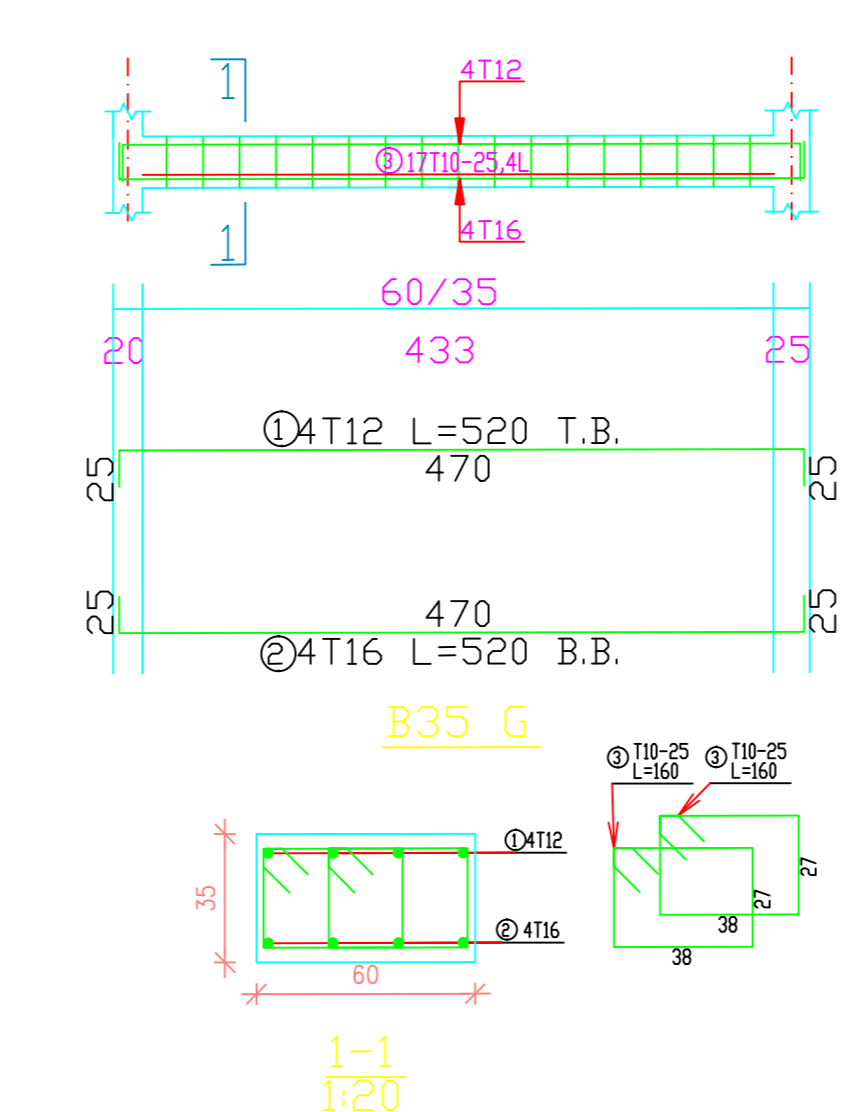
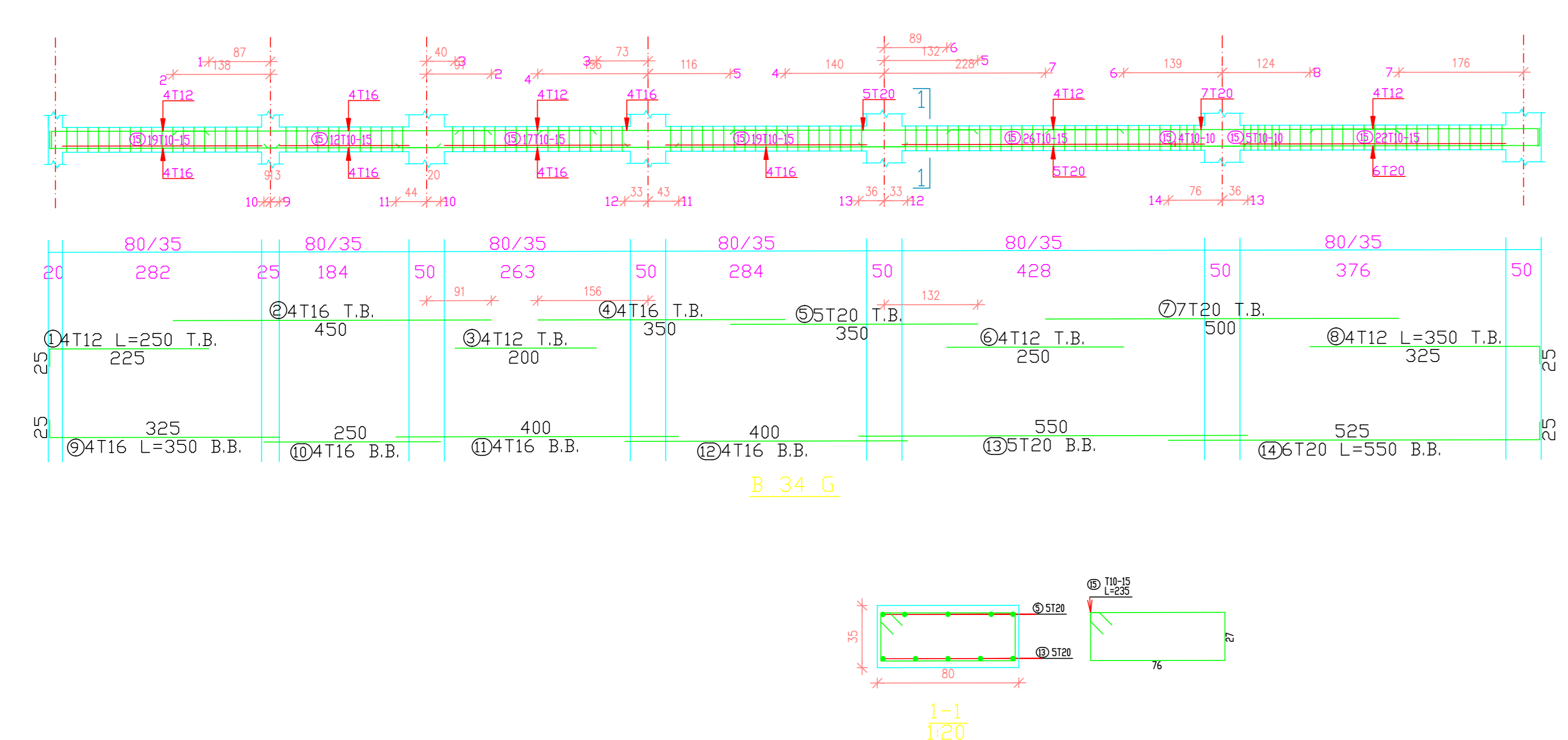
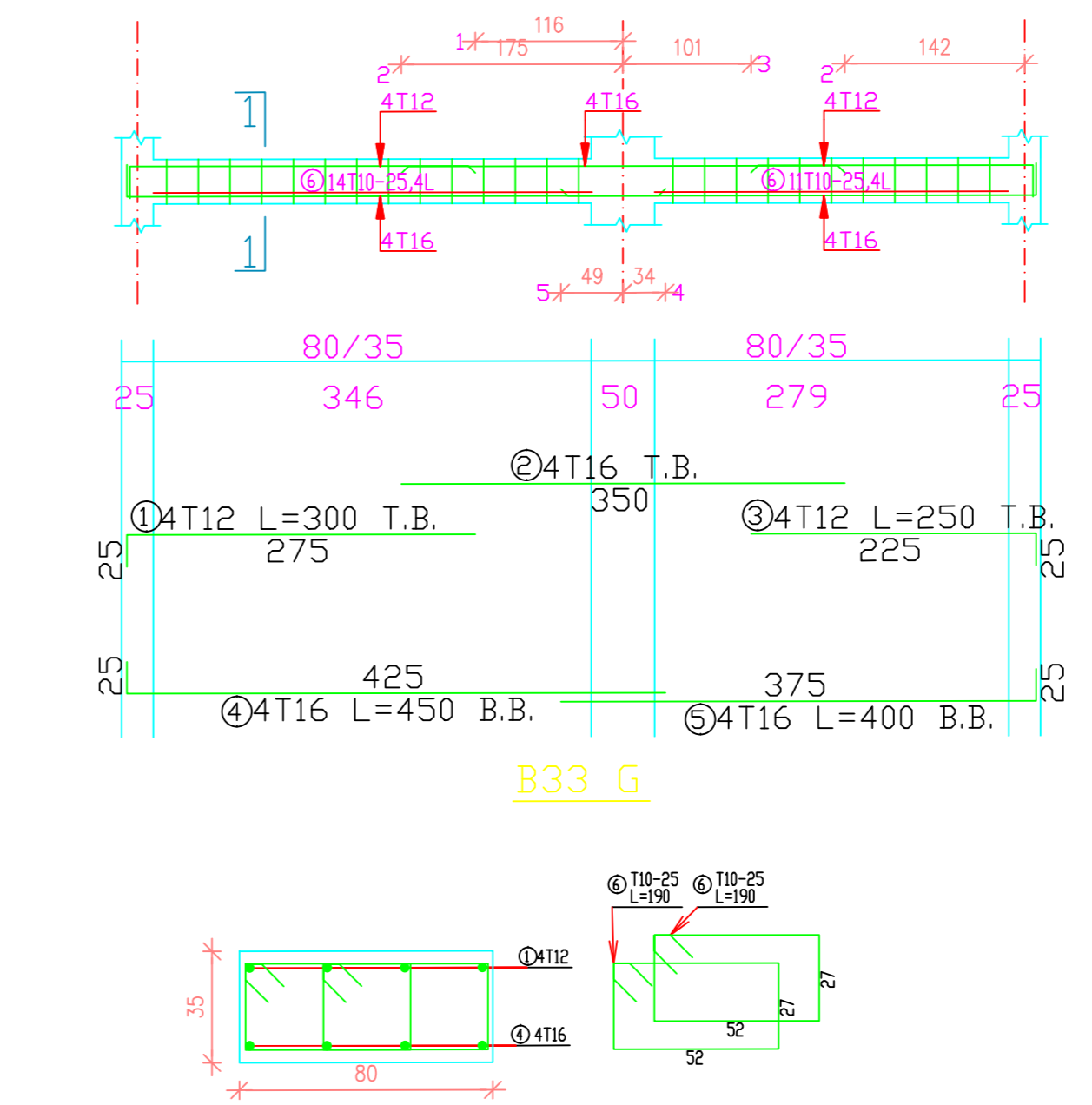
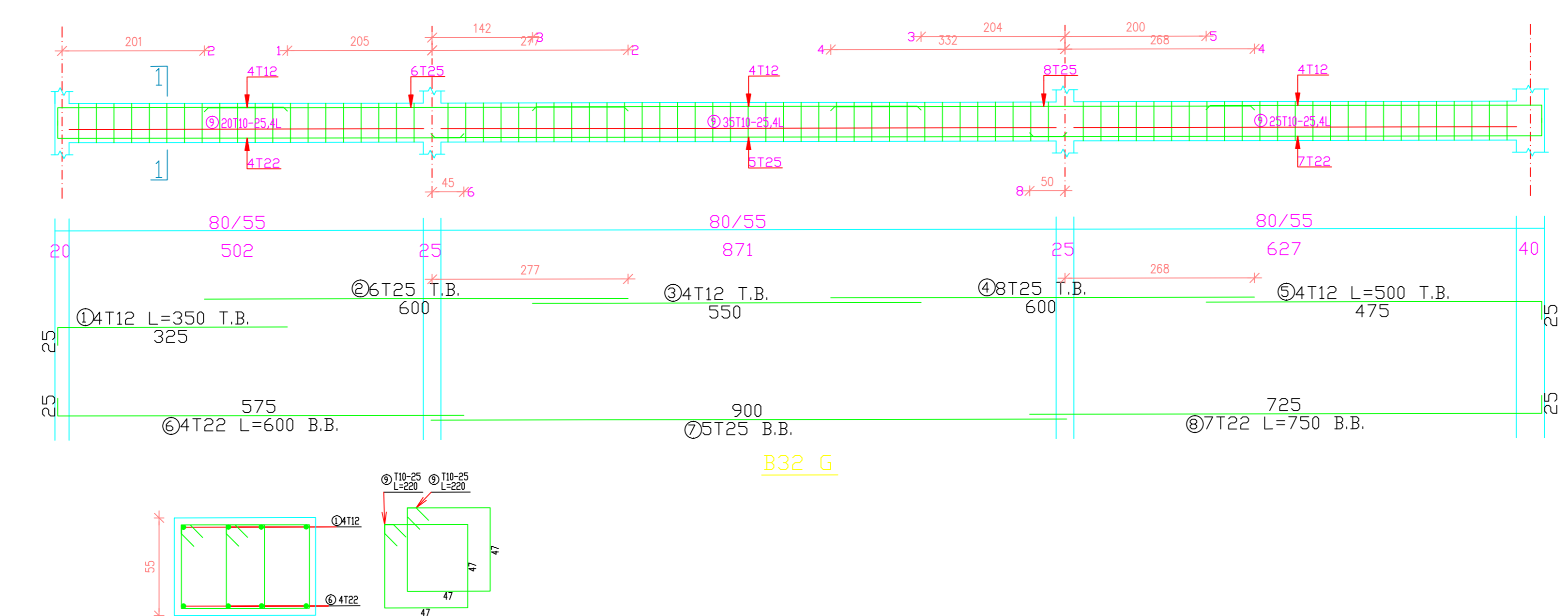
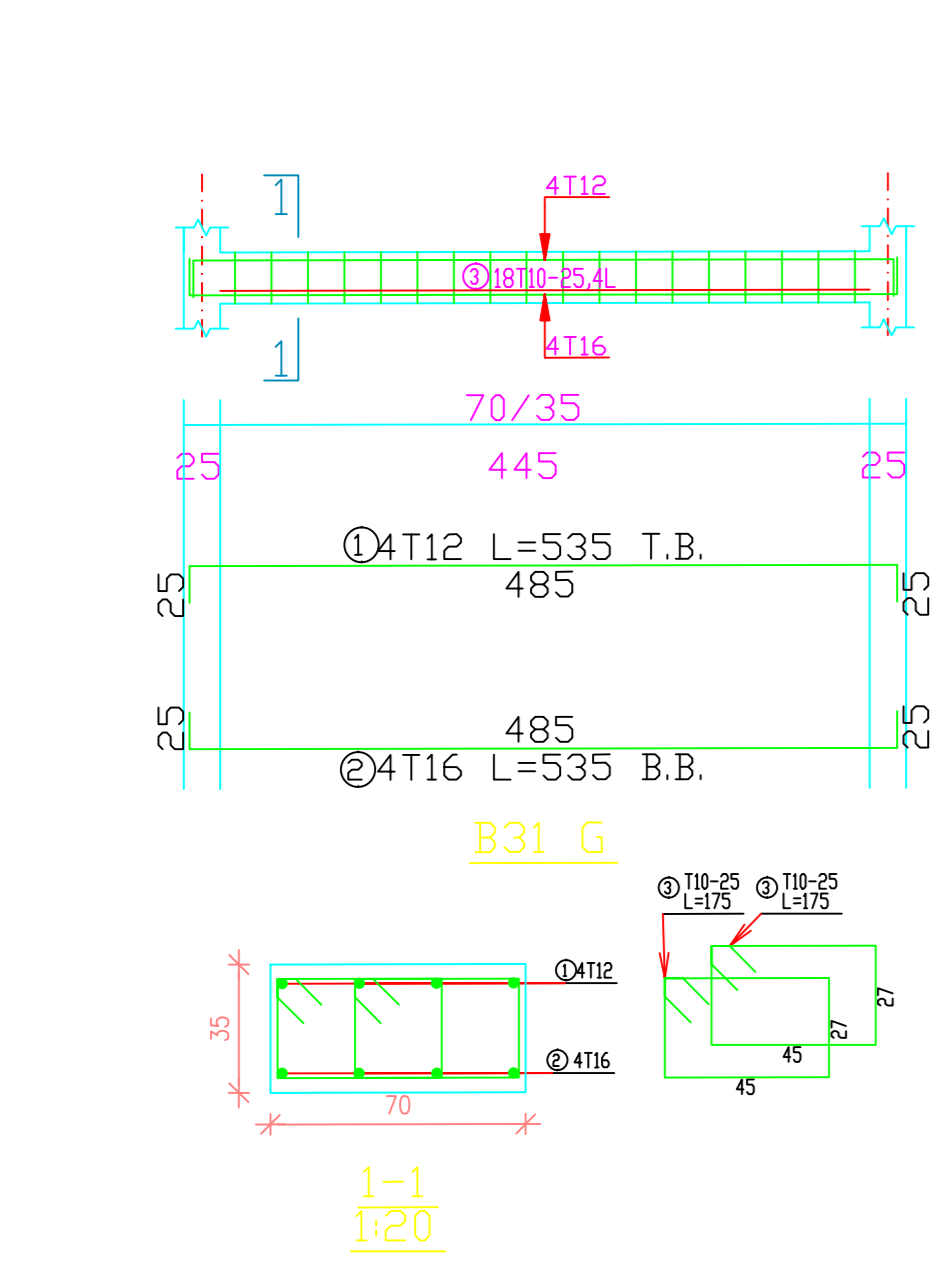
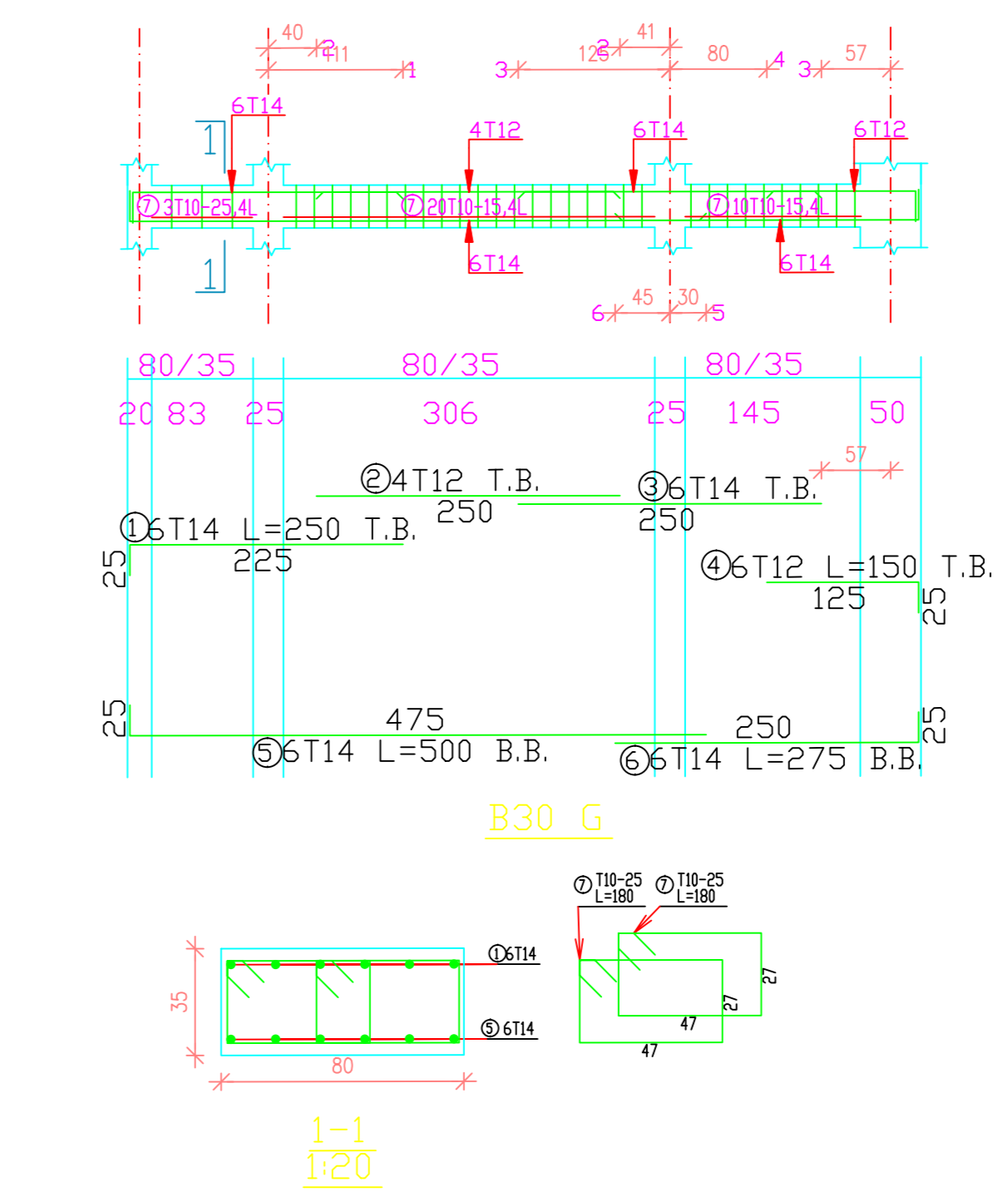
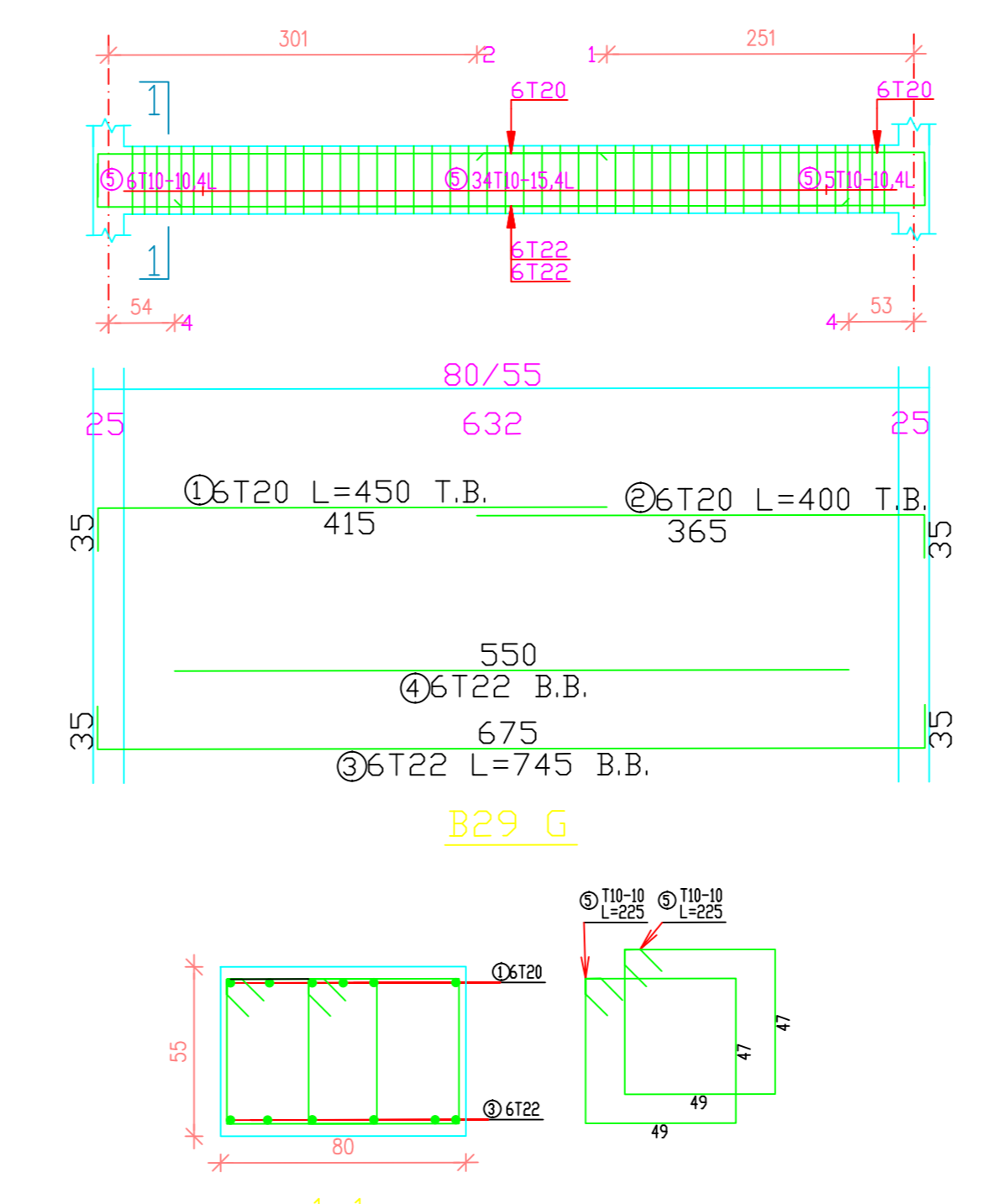
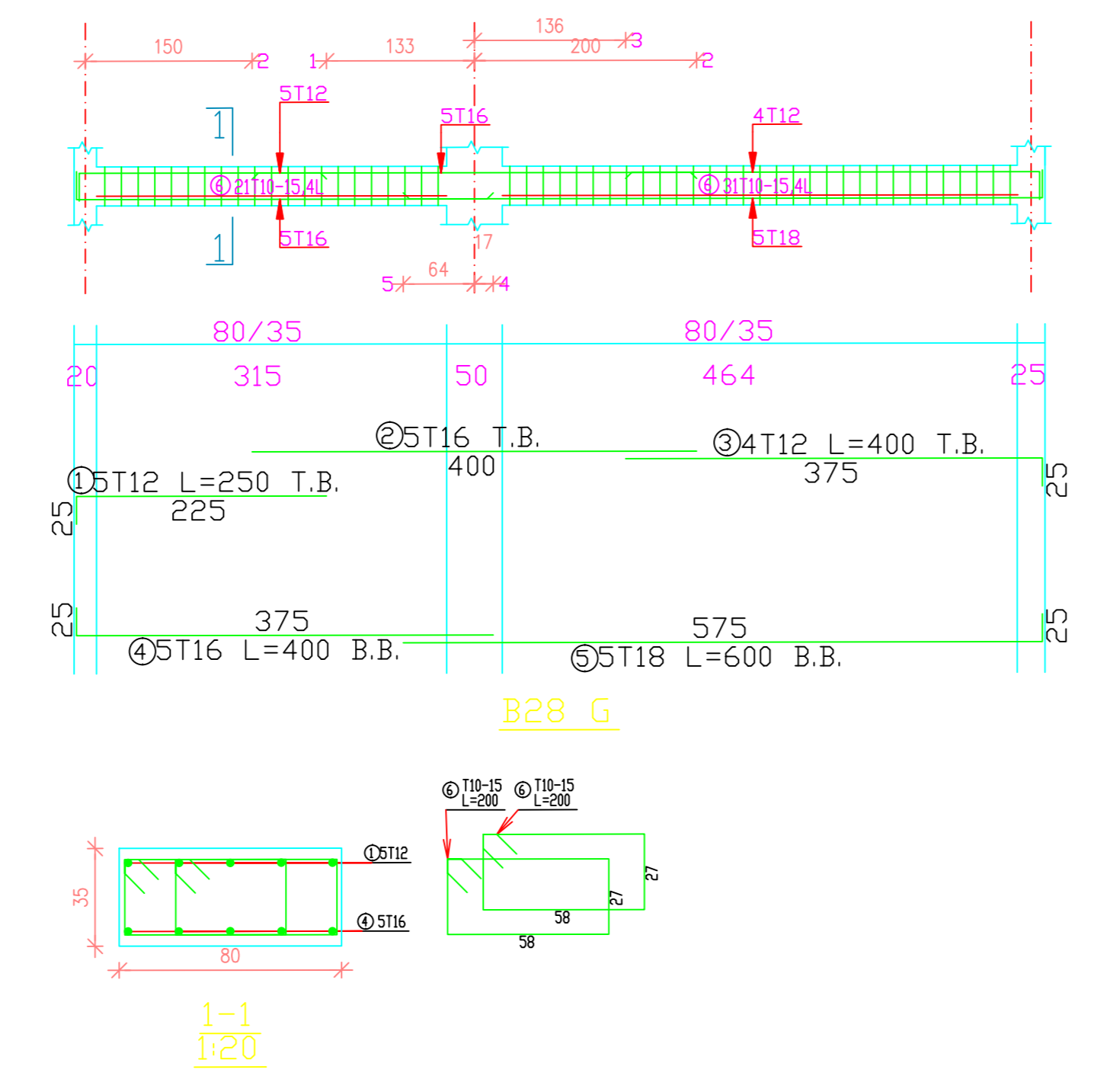
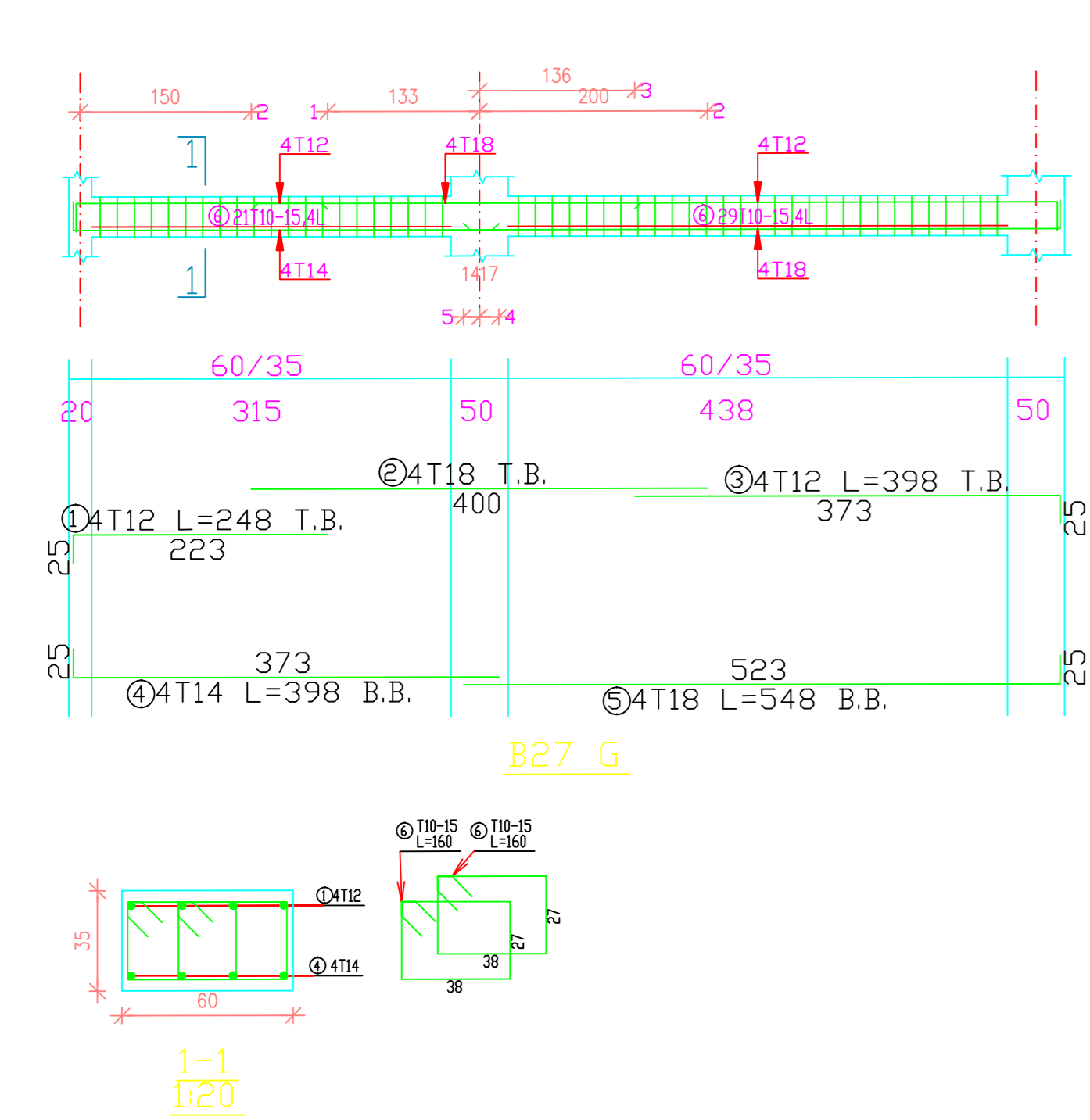
Drawing No :

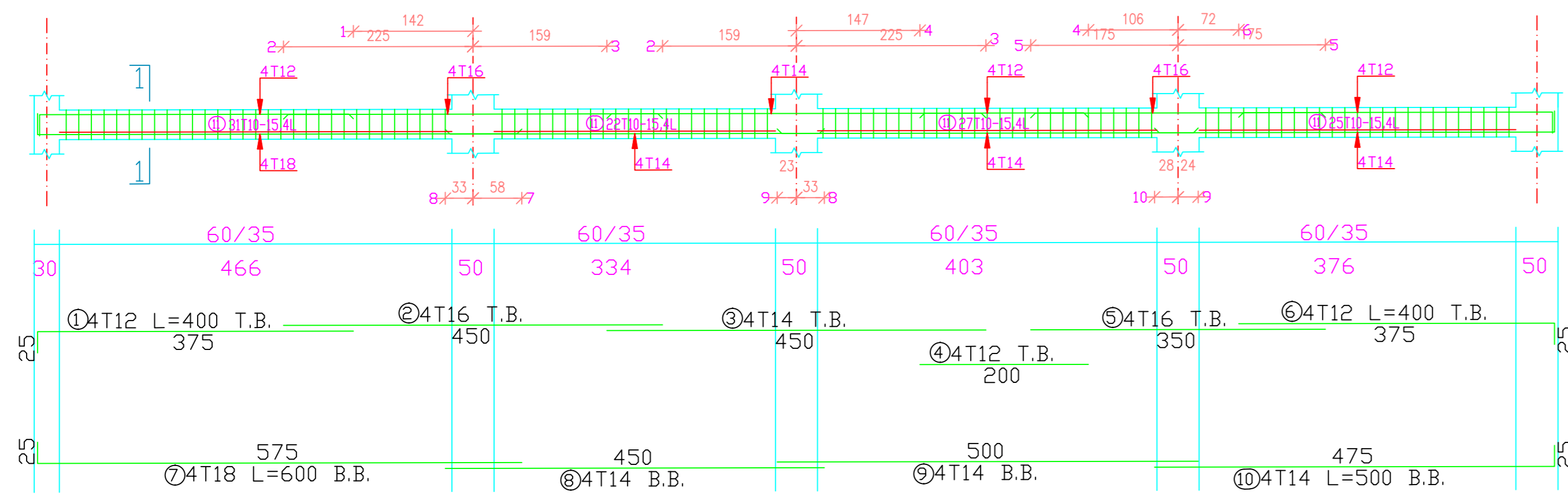
S 41

Date : 2/6/2021

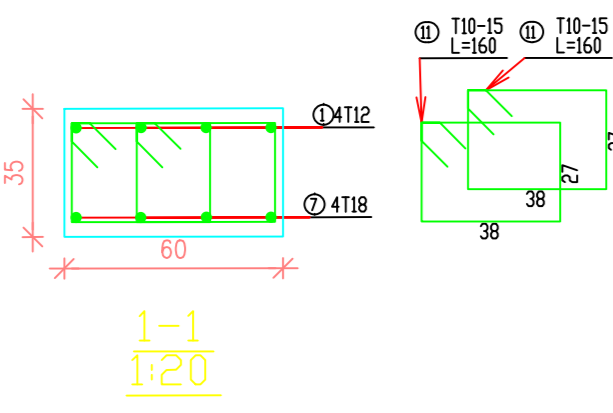
View scale 1/50

Cover 4 cm

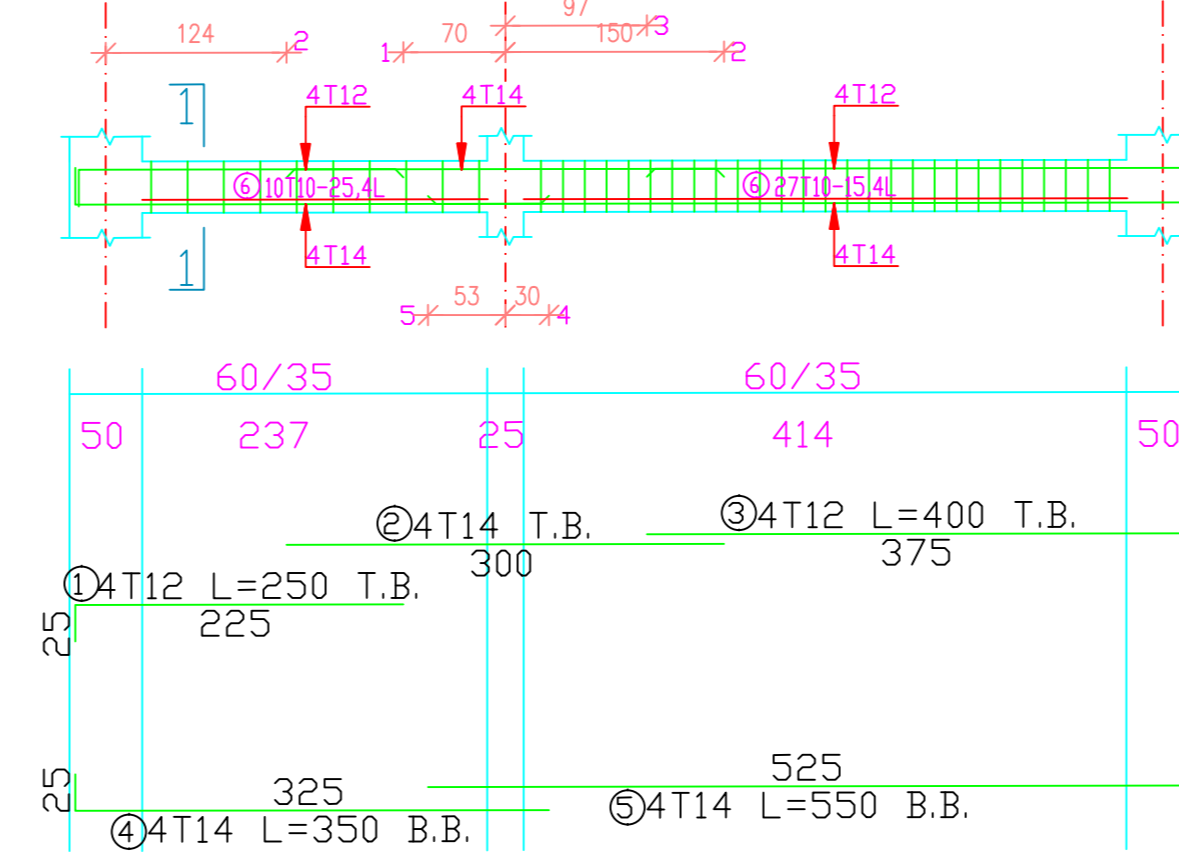




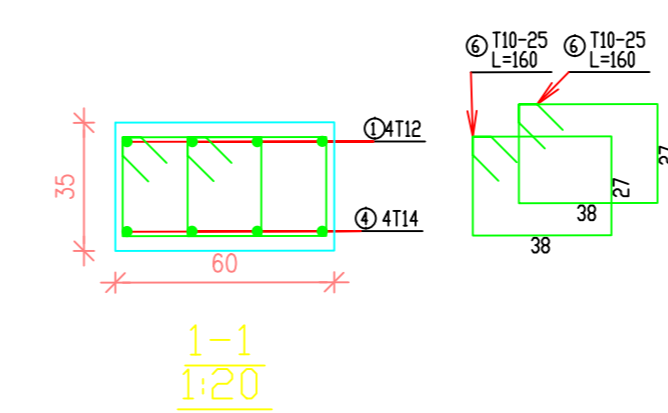
B37 G



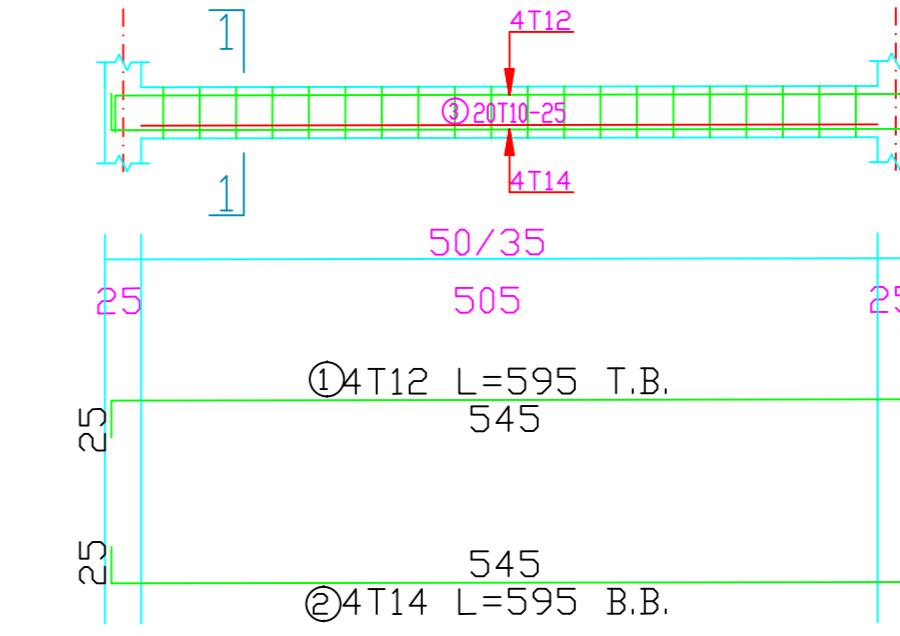
1-1
1/20



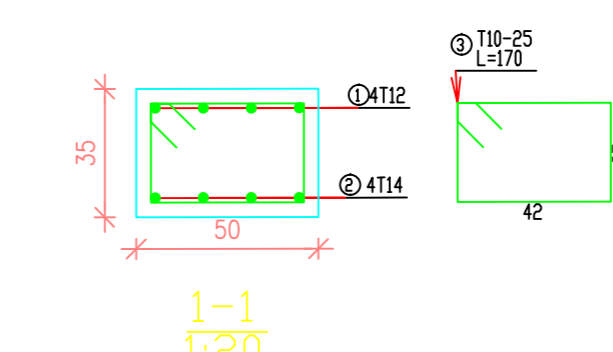
B38 G



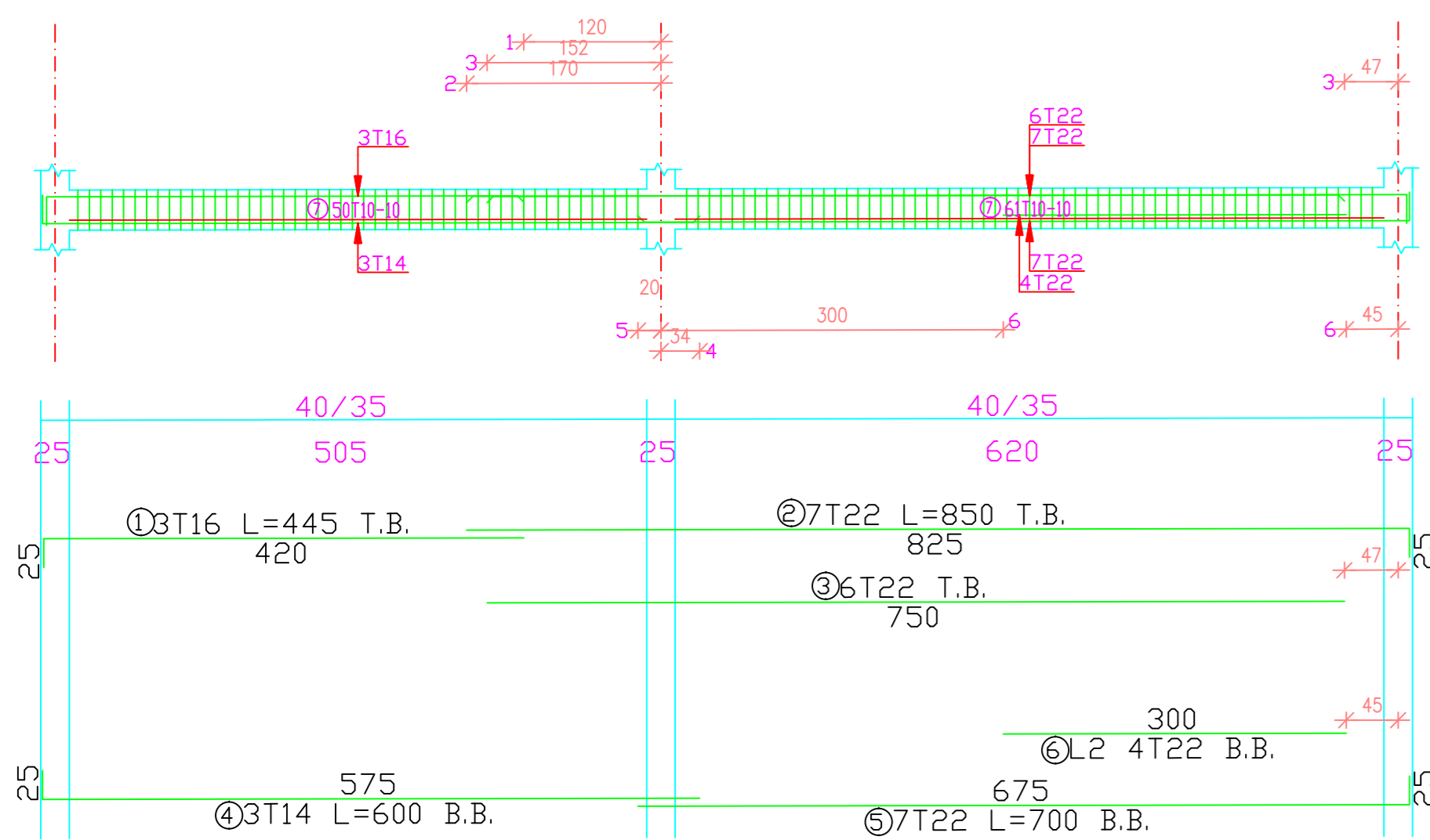
1-1
1/20



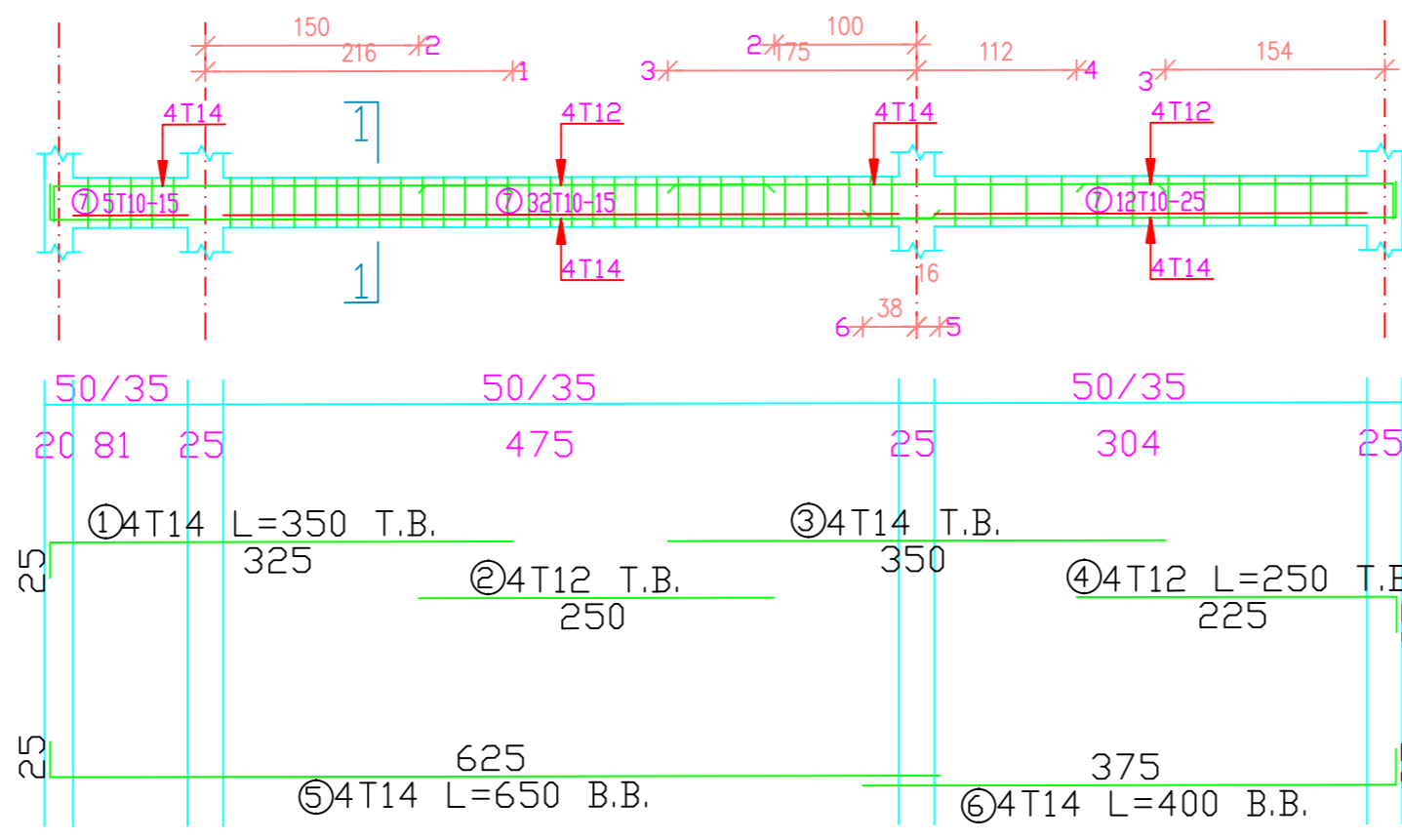
B39 G



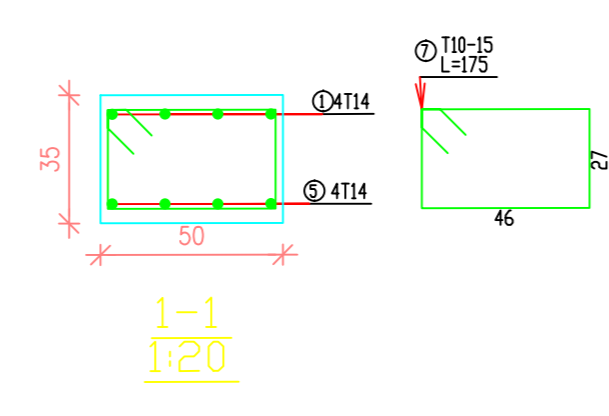
1-1
1/20



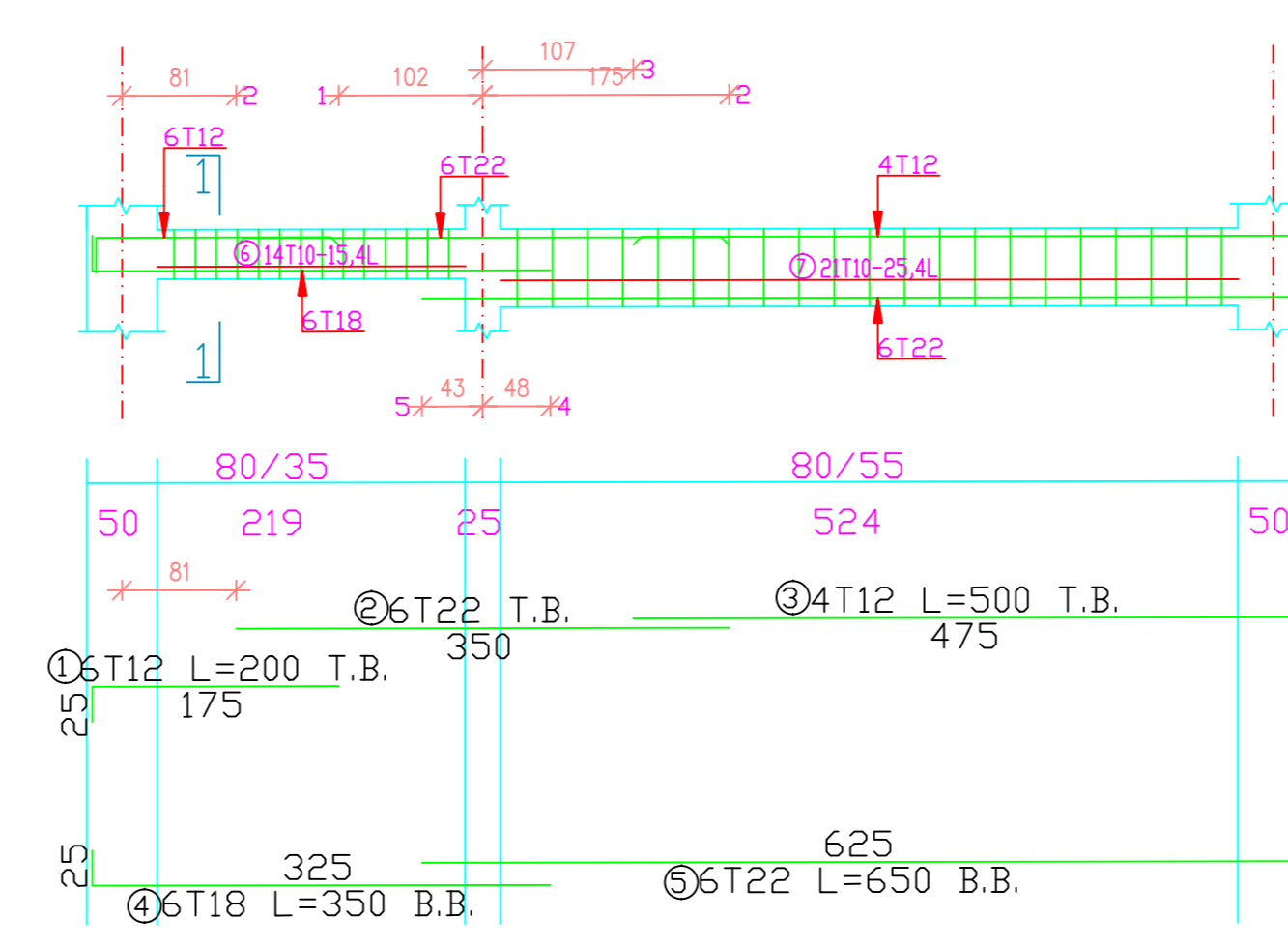
B40 G



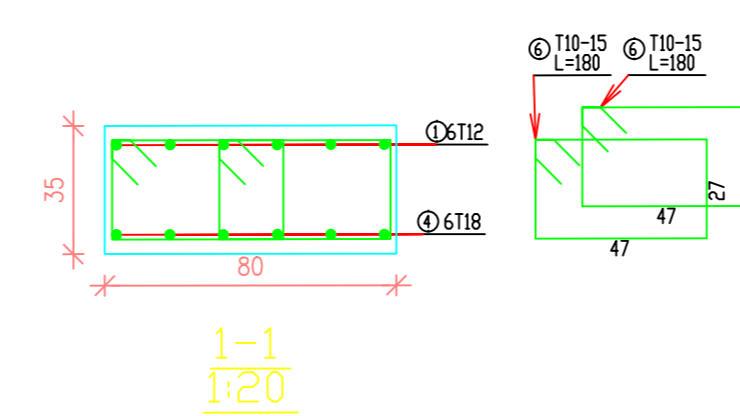
B41 G



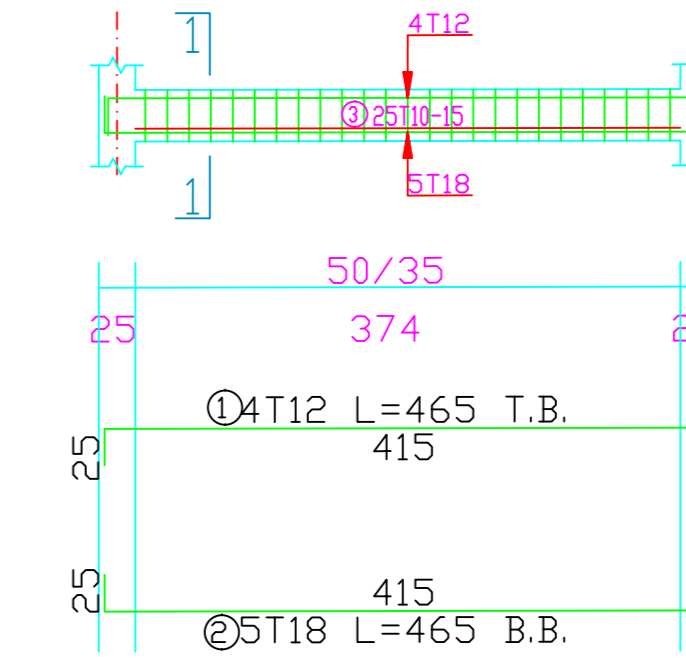
1-1
1/20



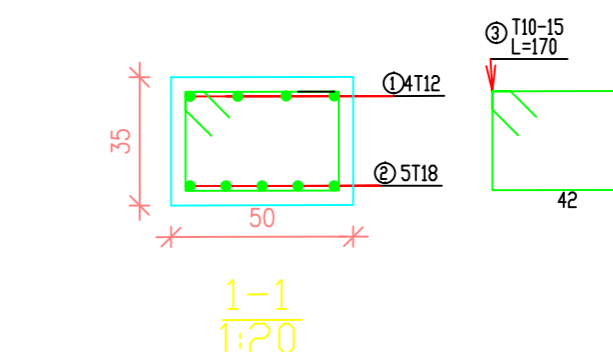
B42 G



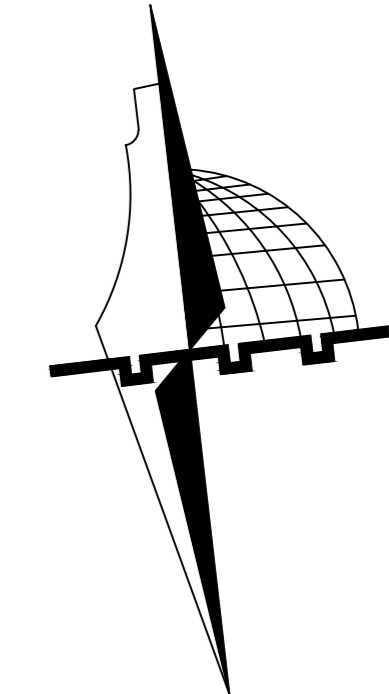
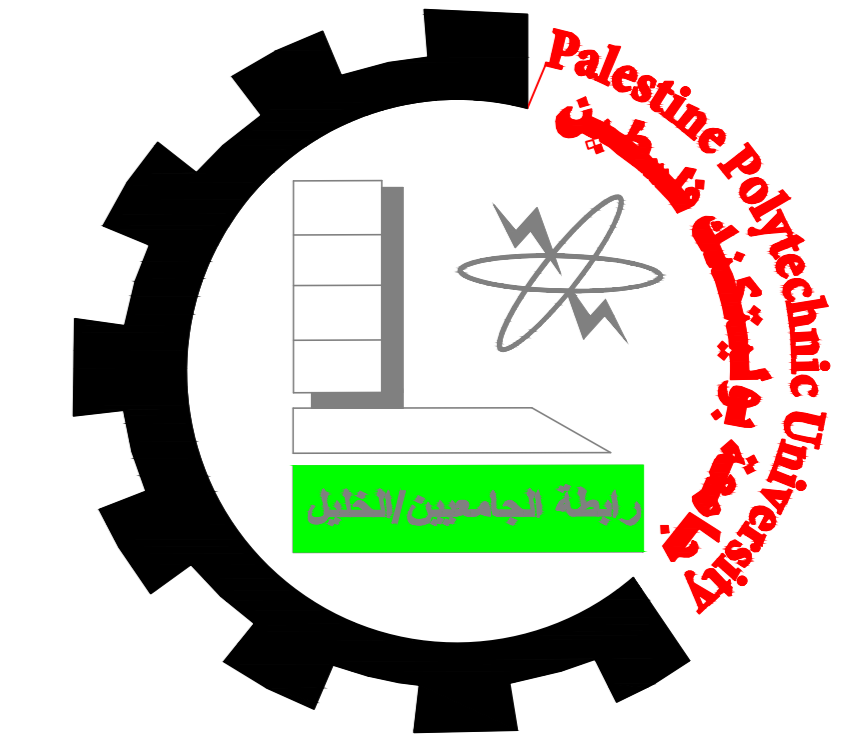
1-1
1/20



B43 G



1-1
1/20



N

NOTES:

All Dimensions are in meters unless otherwise shown.

All spot levels are in meters.

Palestine Polytechnic University
Civil. & Arch. Eng. Department

Building Engineering

Project:

Residential Commercial Building

Designed By:

Feras Abo-Aljaysh
Noor Beiwat
Anas Jobran

Supervisor:

Eng.Mai Haddad

Drawing Title:

Beams Details

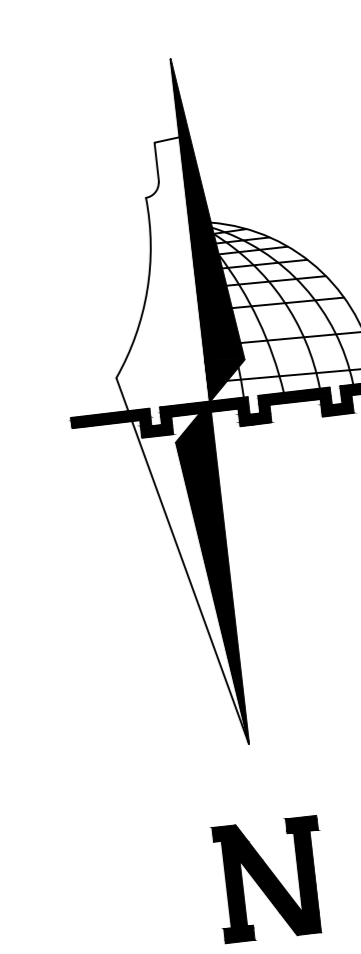
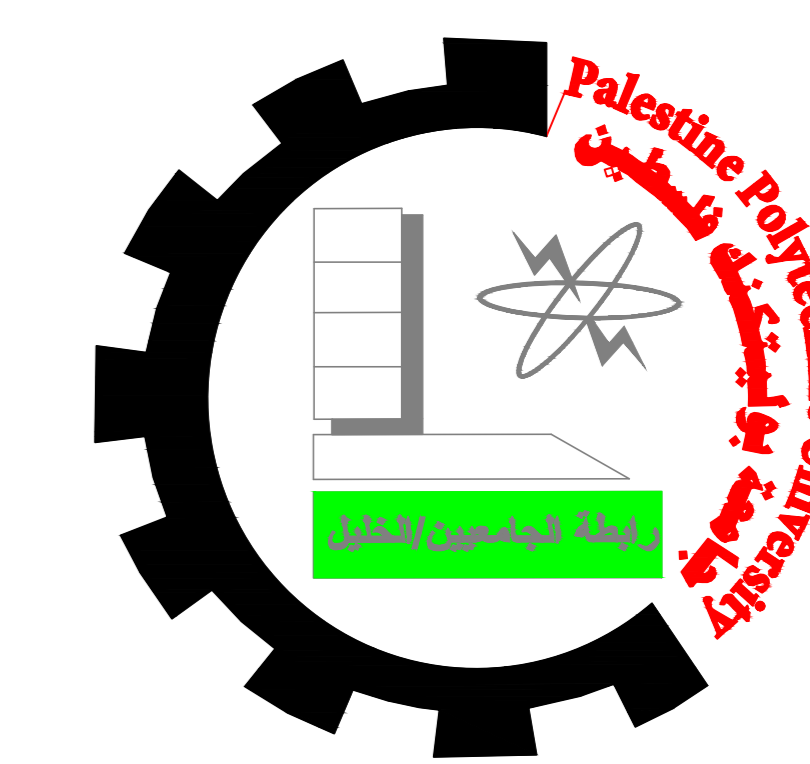
Drawing No :

S 42

Date : 2/6/2021

View scale 1/50

Cover 4 cm



NOTES:

All Dimensions are in meters unless otherwise shown.
All spot levels are in meters.

Palestine Polytechnic University
Civil. & Arch. Eng. Department
Building Engineering

Project:
Residential Commercial Building

Designed By:
Feras Abo-Aljaysh
Noor Beiwat
Anas Jobran

Supervisor:
Eng.Mai Haddad

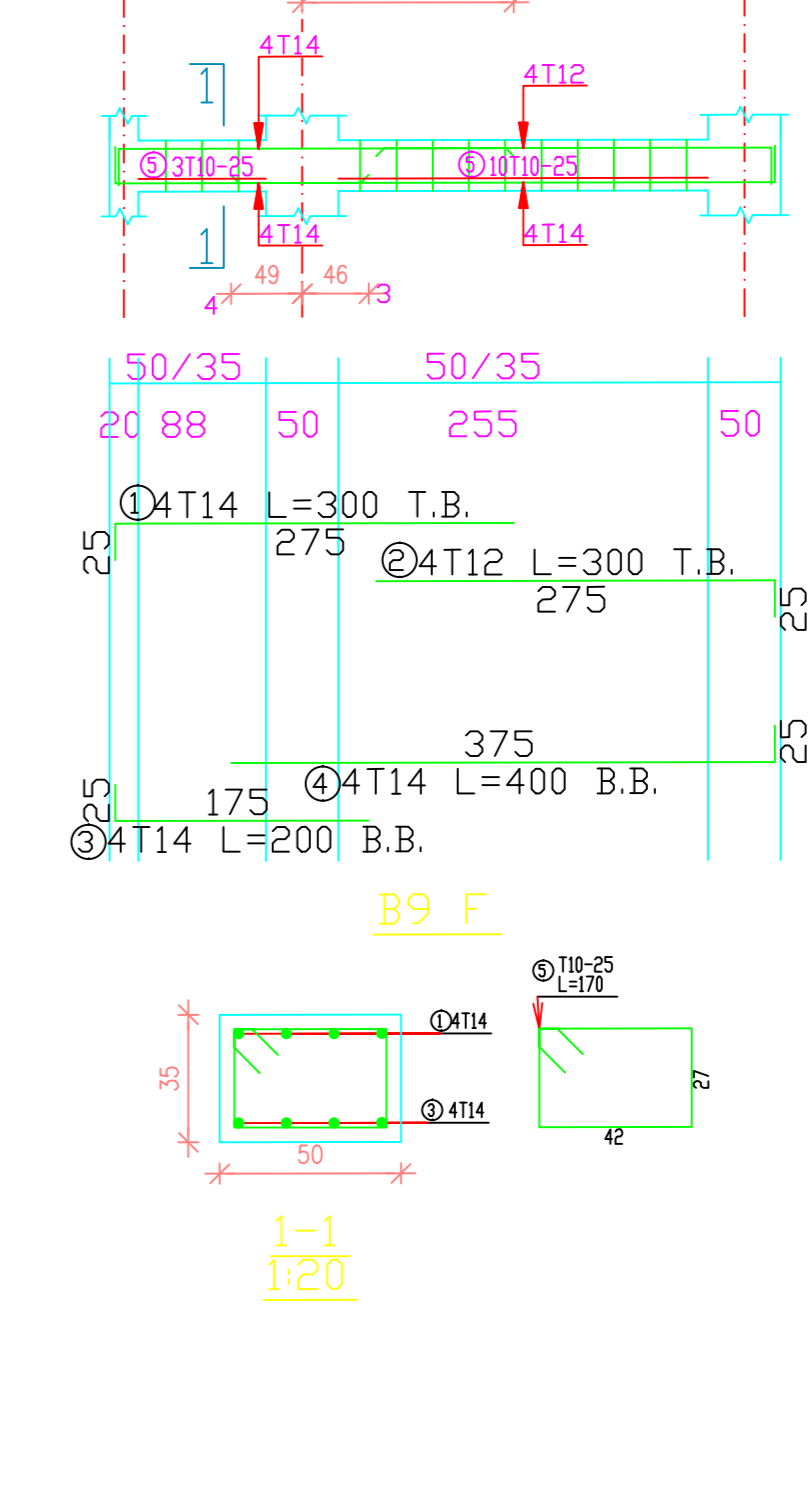
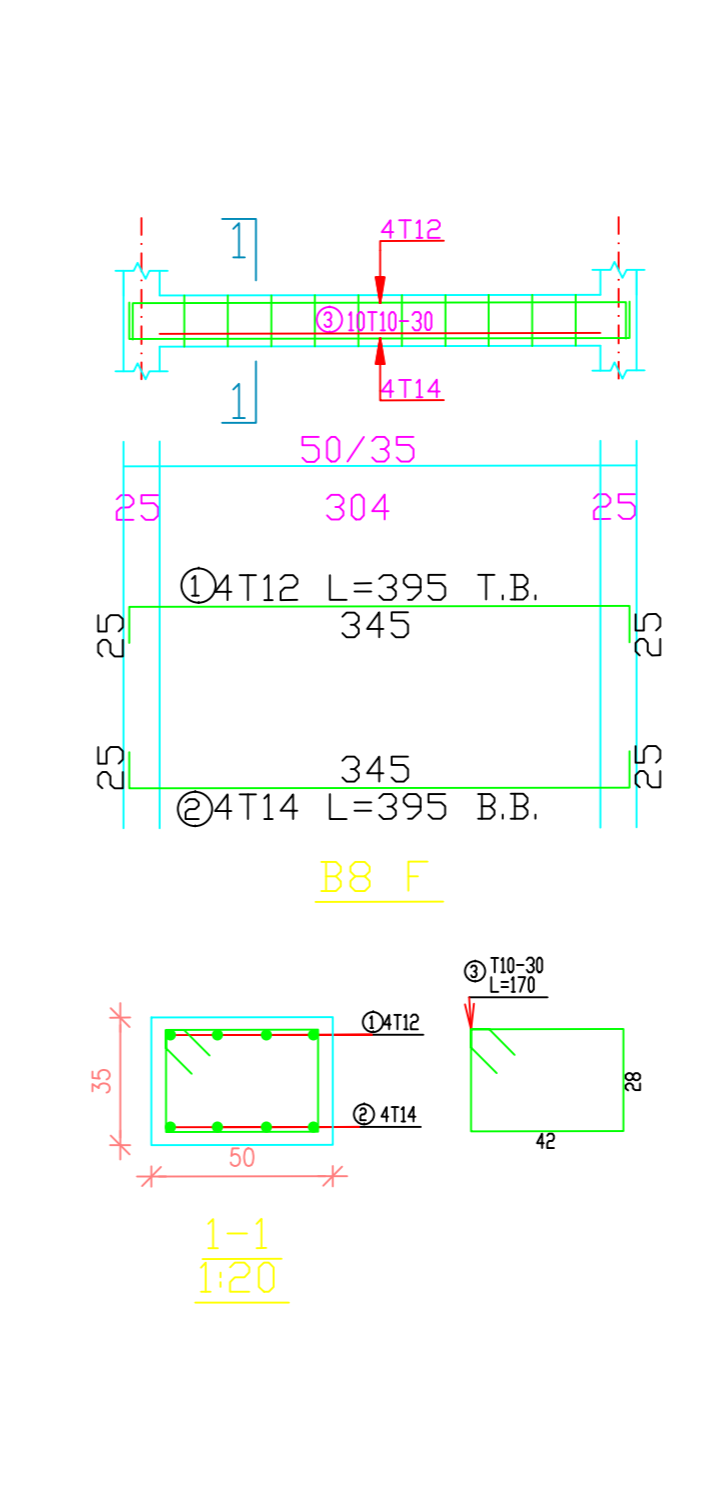
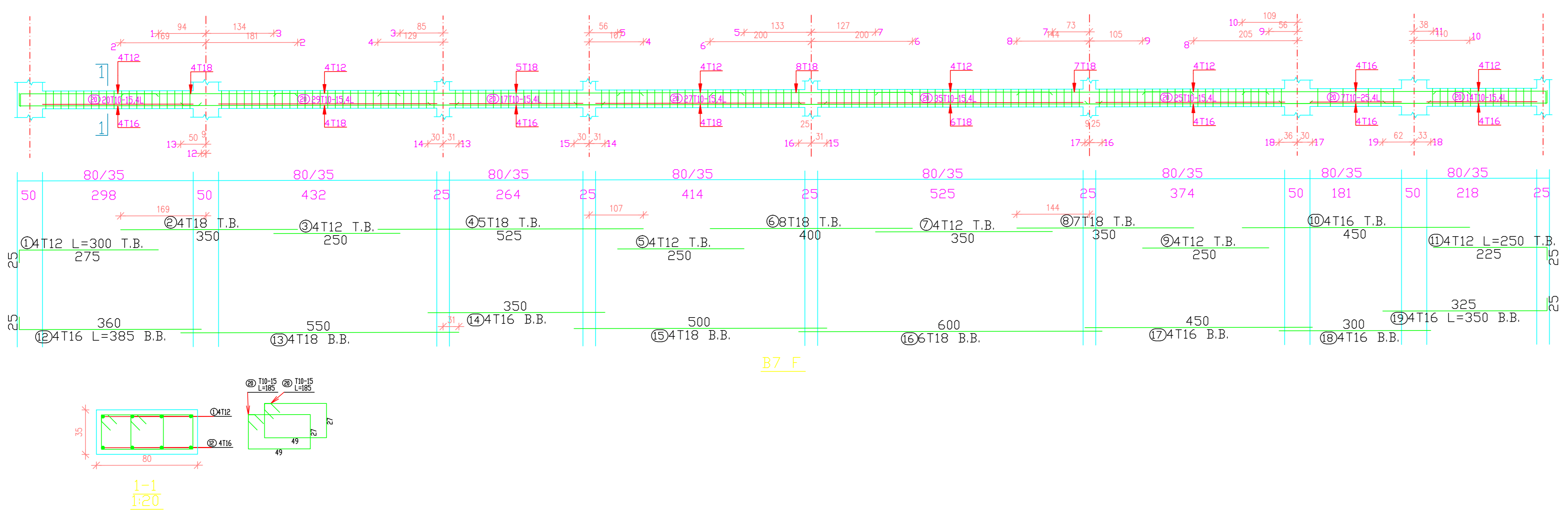
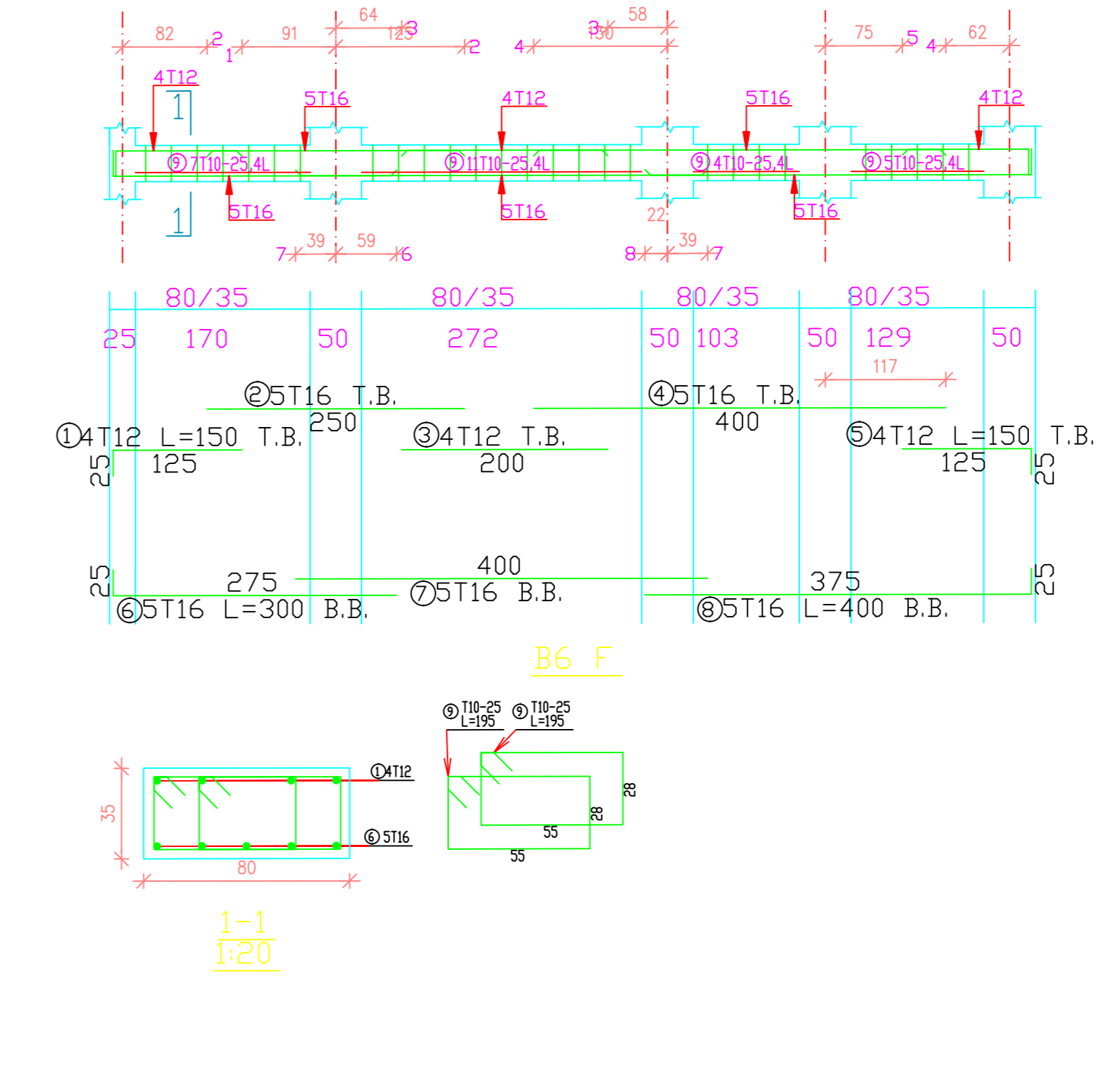
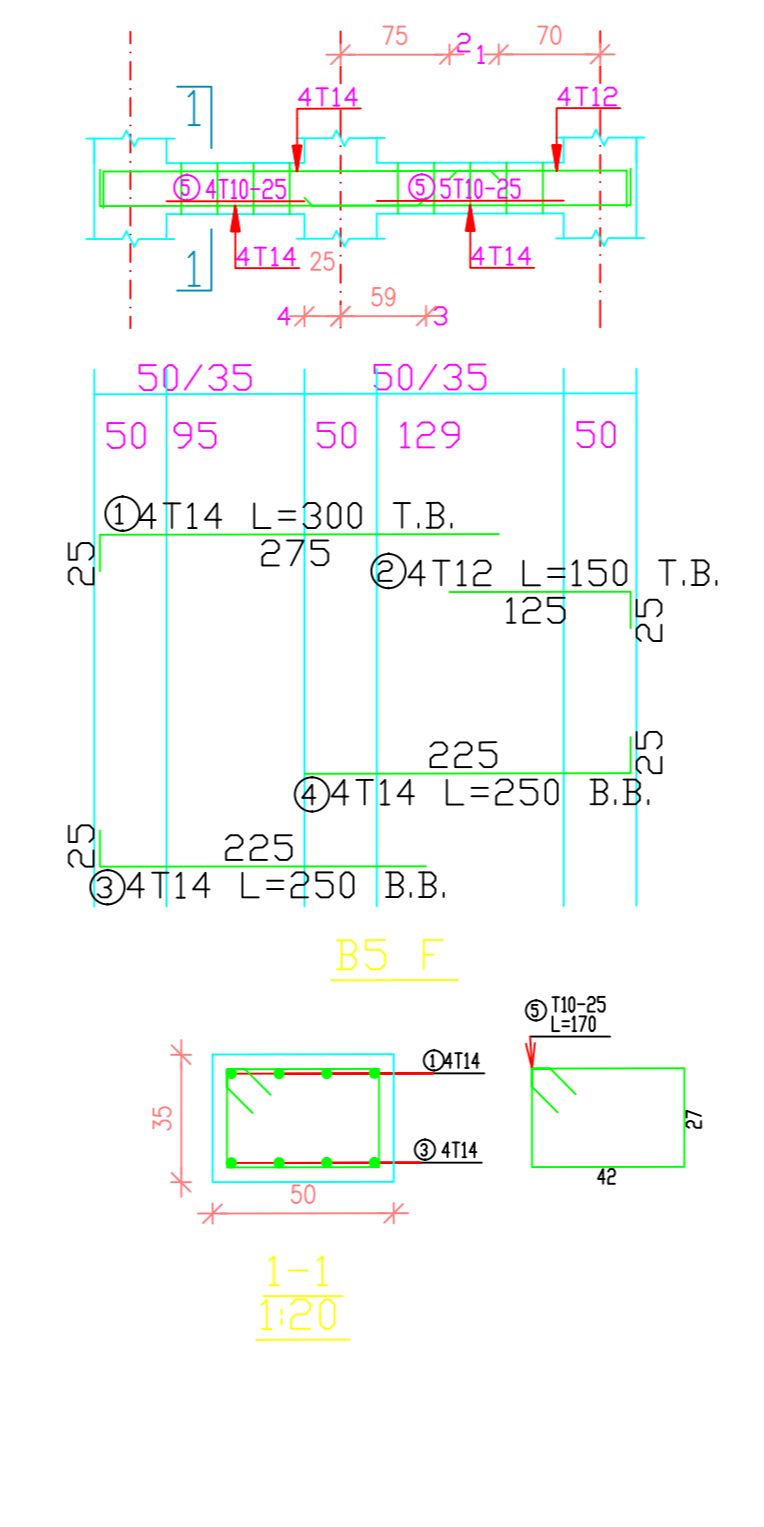
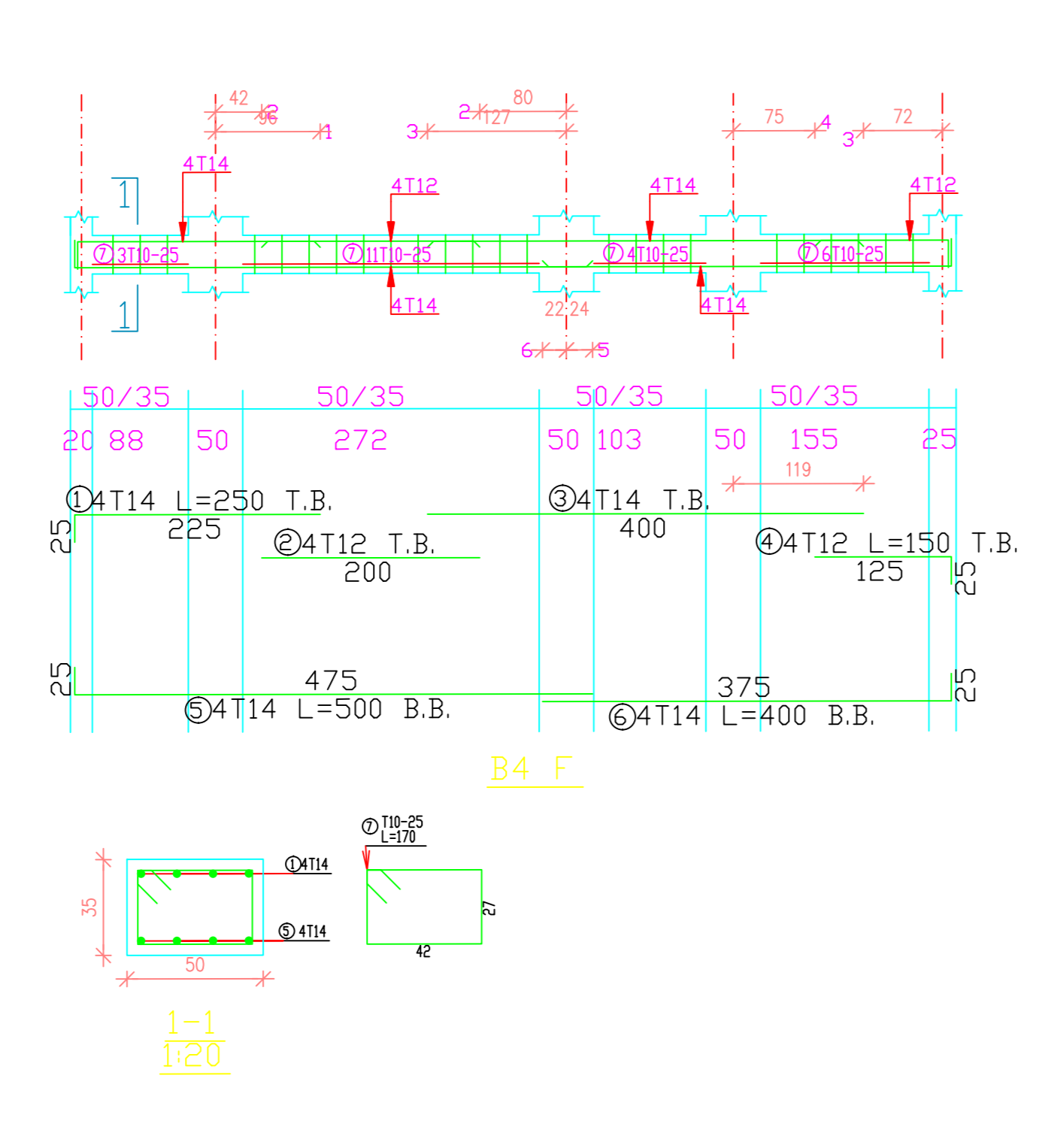
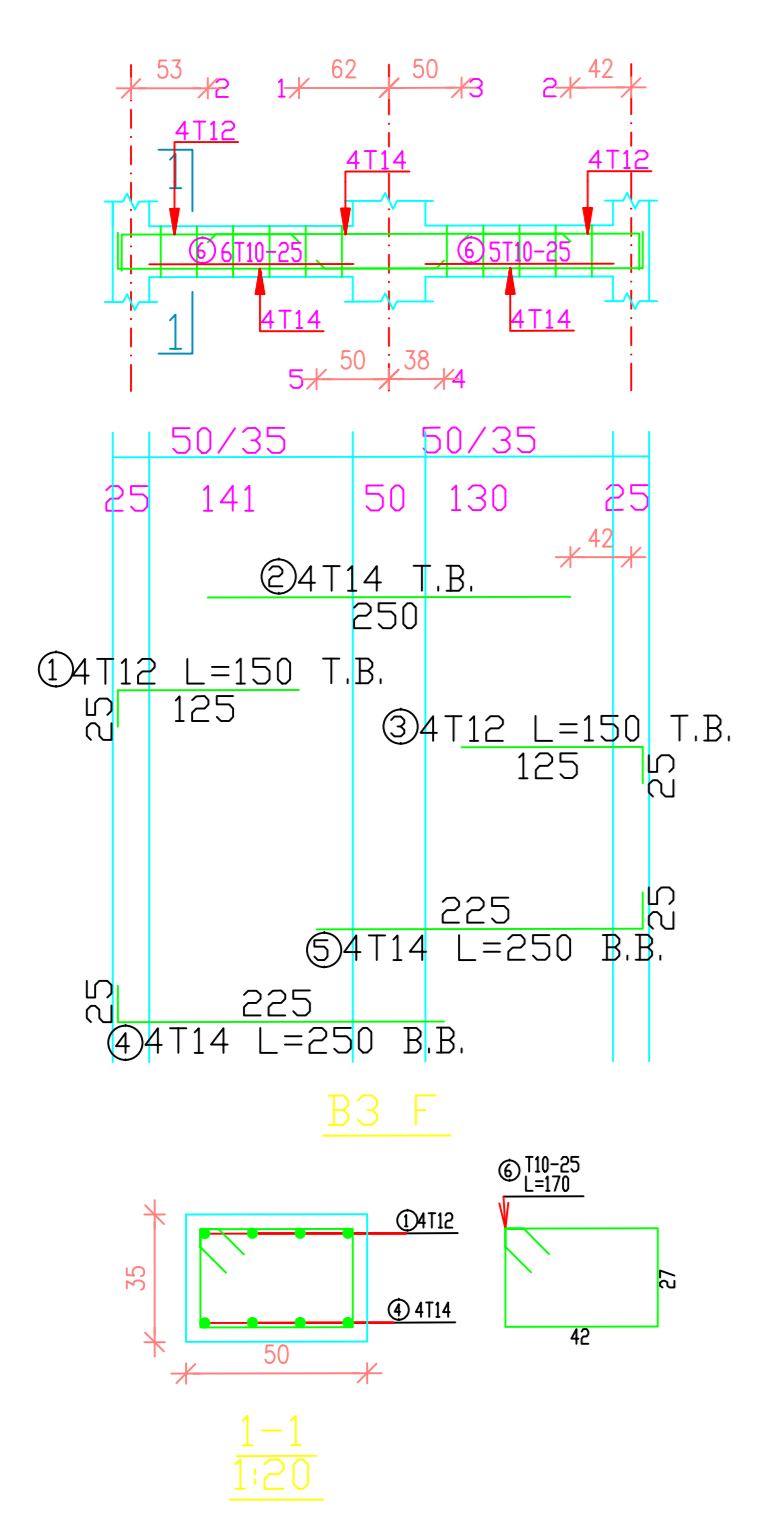
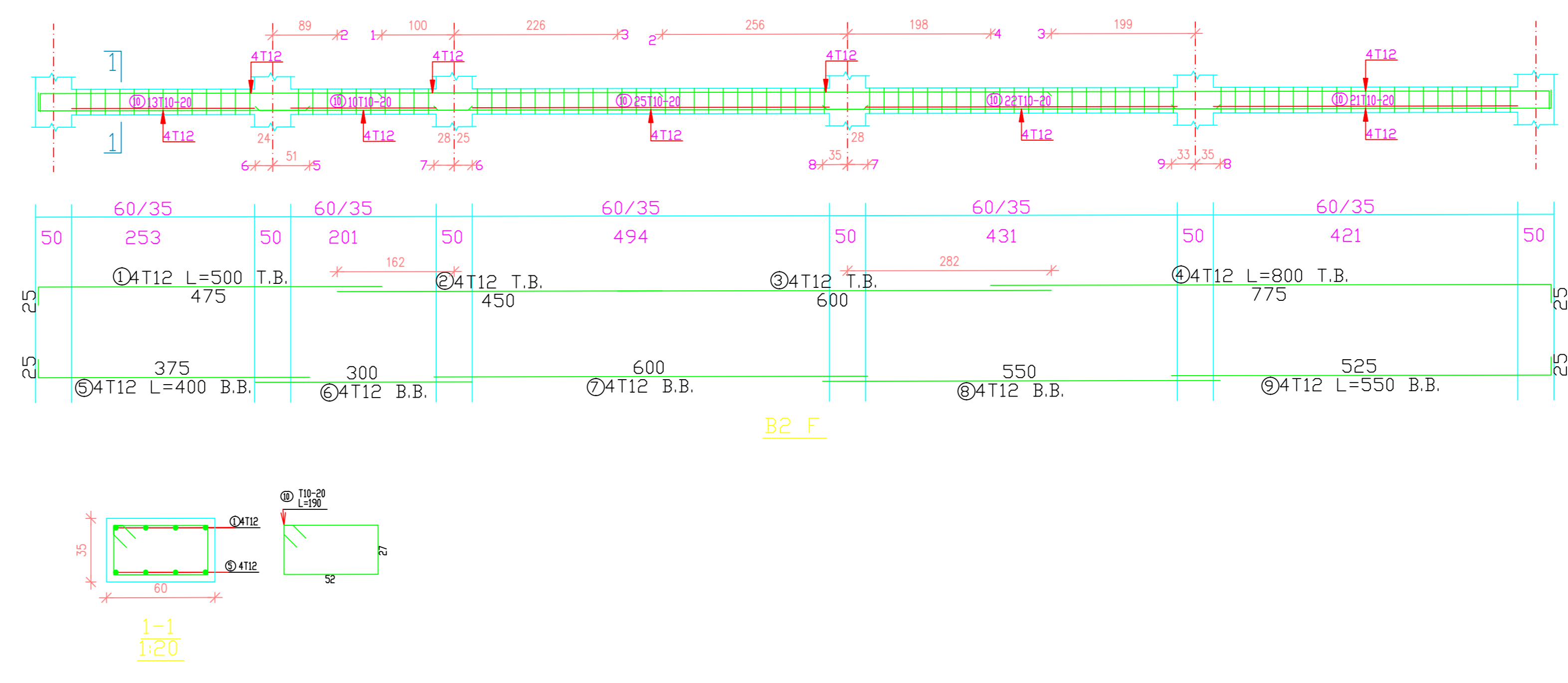
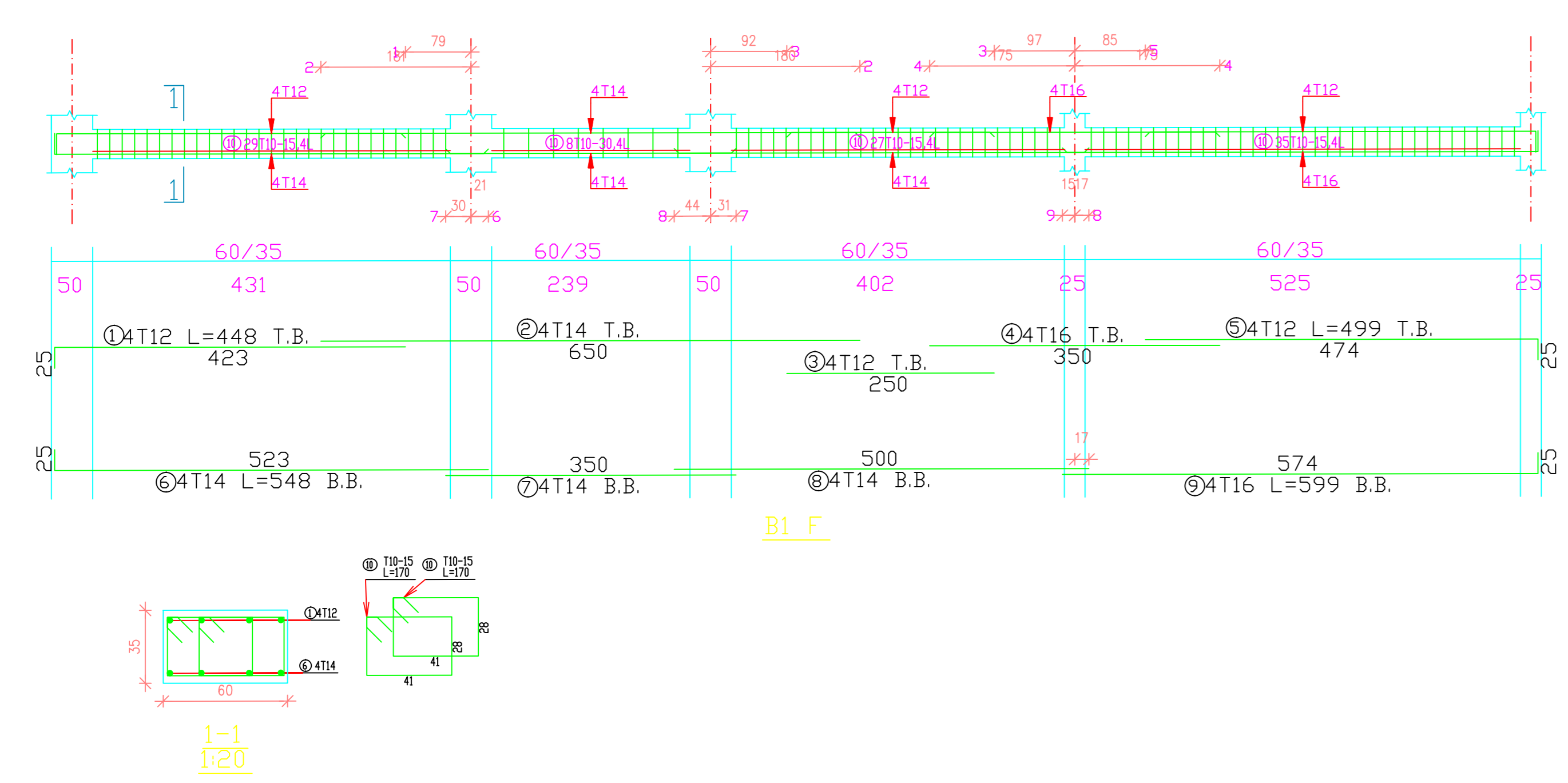
Drawing Title:
Beams Details

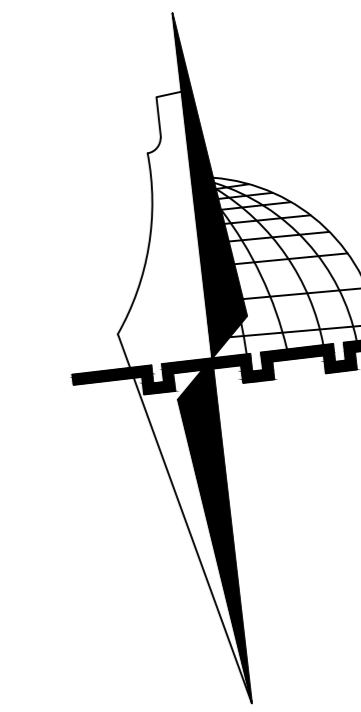
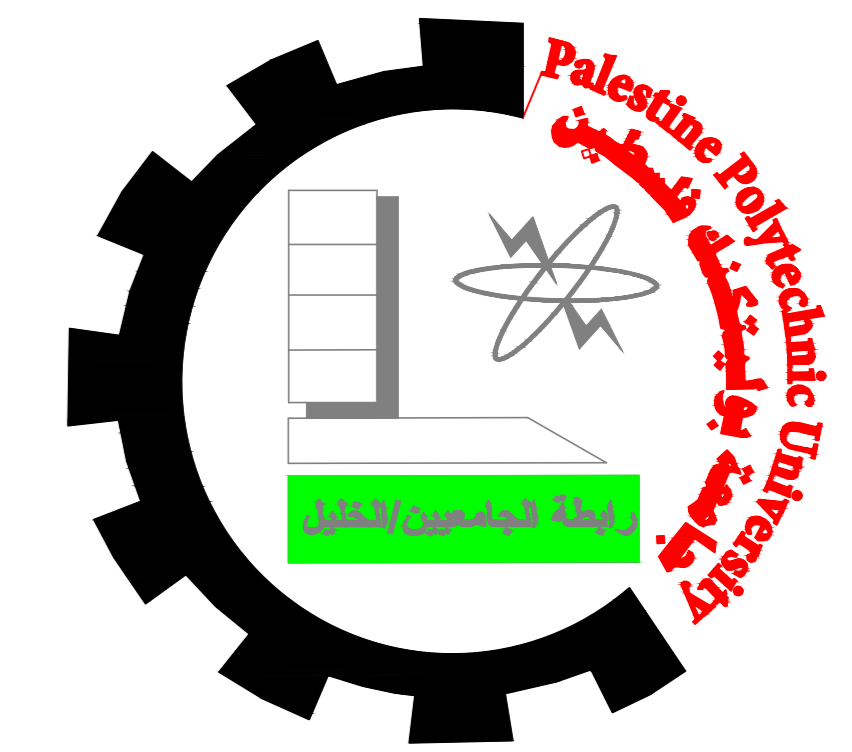
Drawing No:
S 43

Date: 2/6/2021

View scale 1/50

Cover 4 cm





N

NOTES:

All Dimensions are in meters unless otherwise shown.

All spot levels are in meters.

Palestine Polytechnic University
Civil. & Arch. Eng. Department

Building Engineering

Project :

Residential Commercial Building

Designed By :

Feras Abo-Aljaysh
Noor Beiwat
Anas Jobran

Supervisor :

Eng.Mai Haddad

Drawing Title :

Beams Details

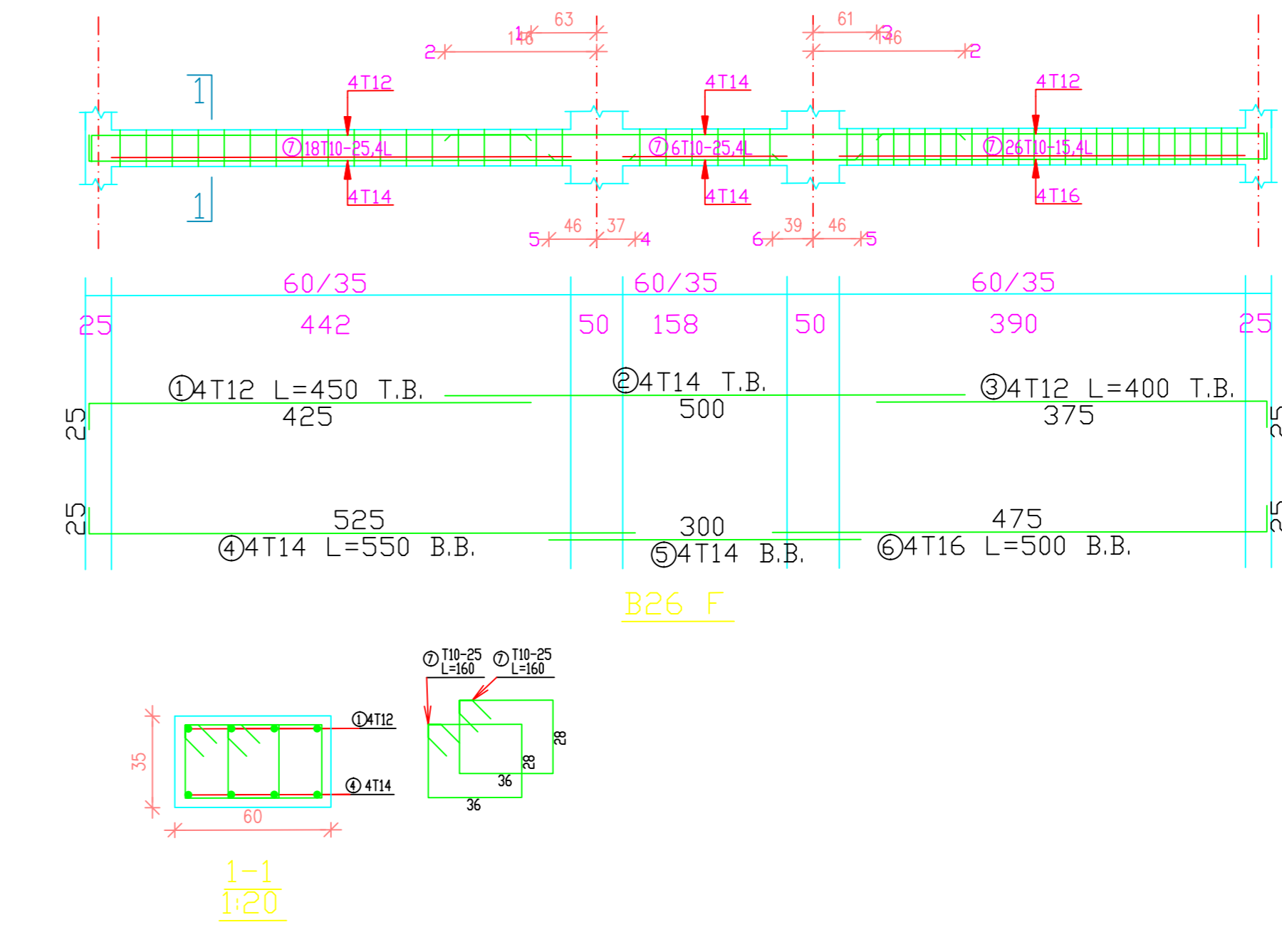
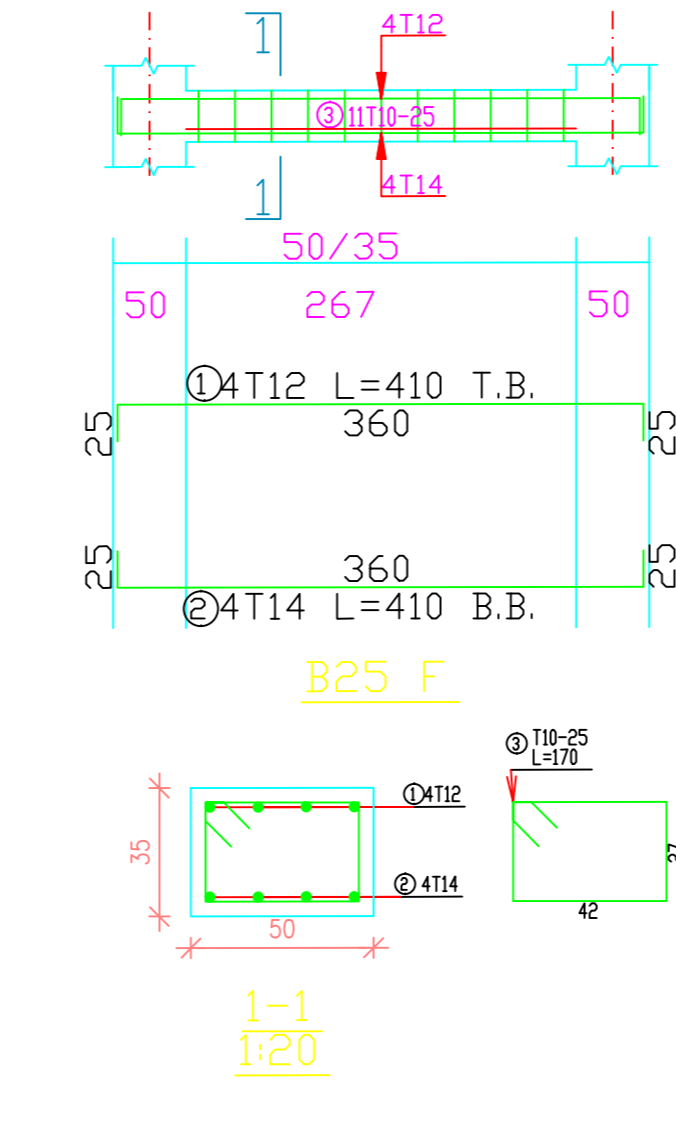
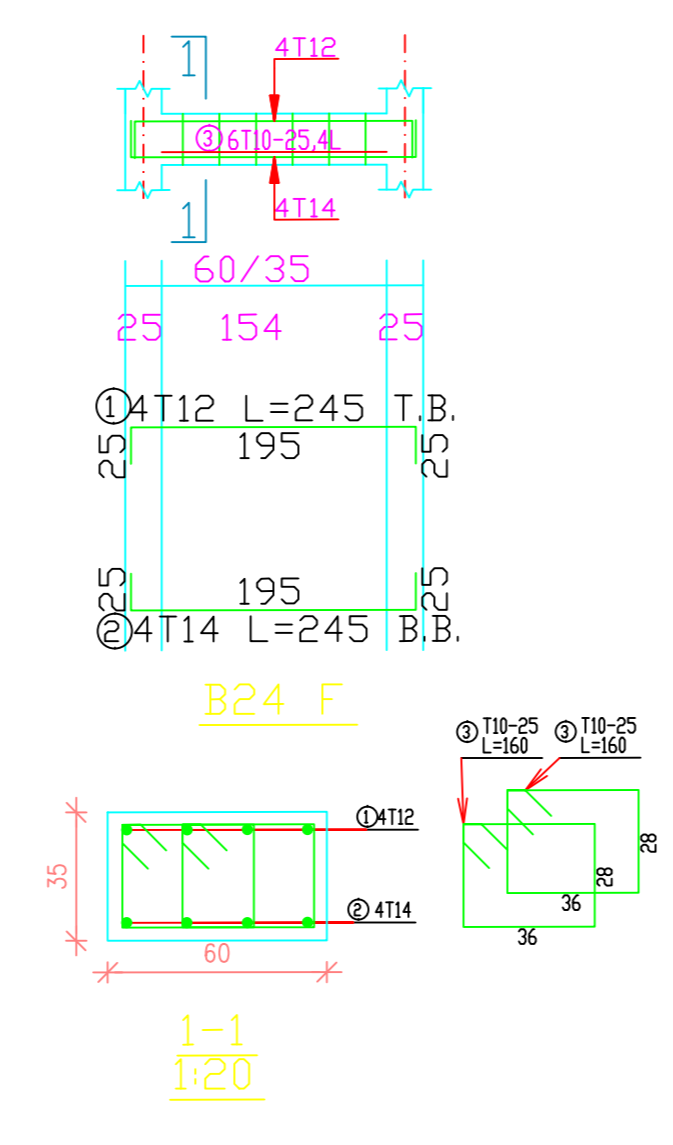
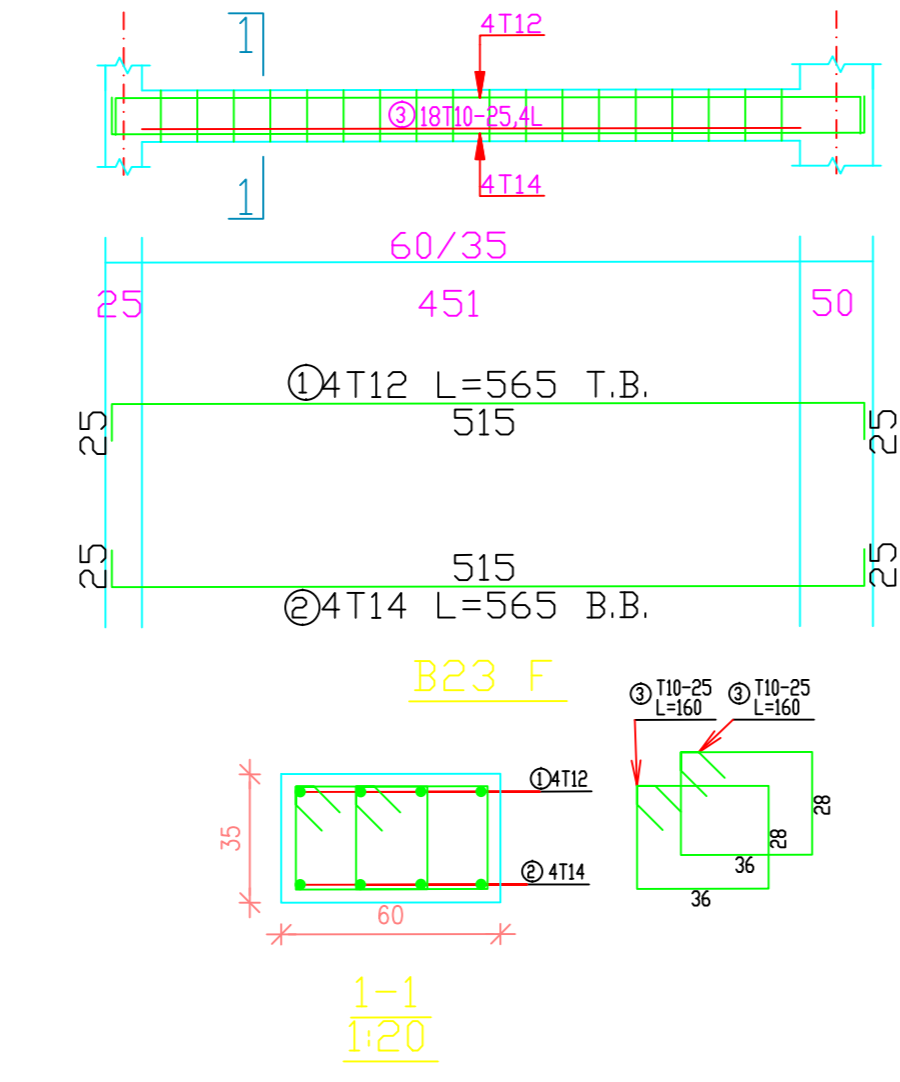
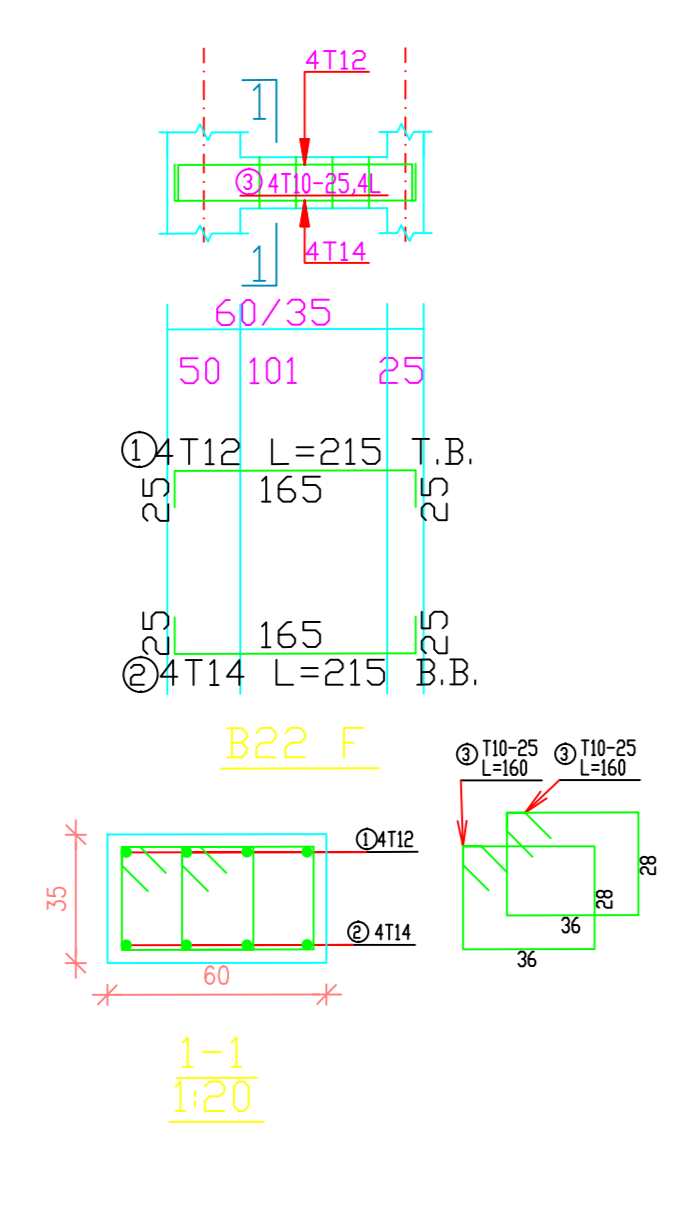
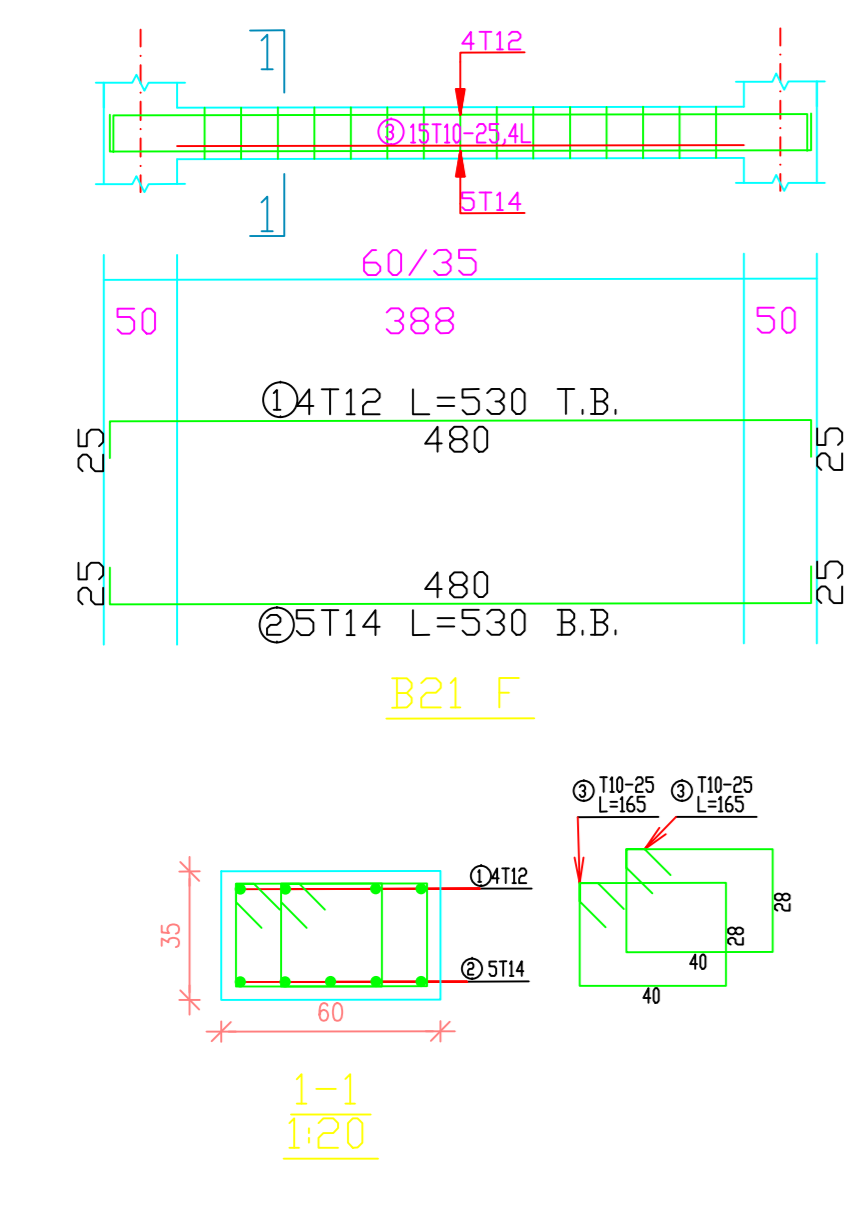
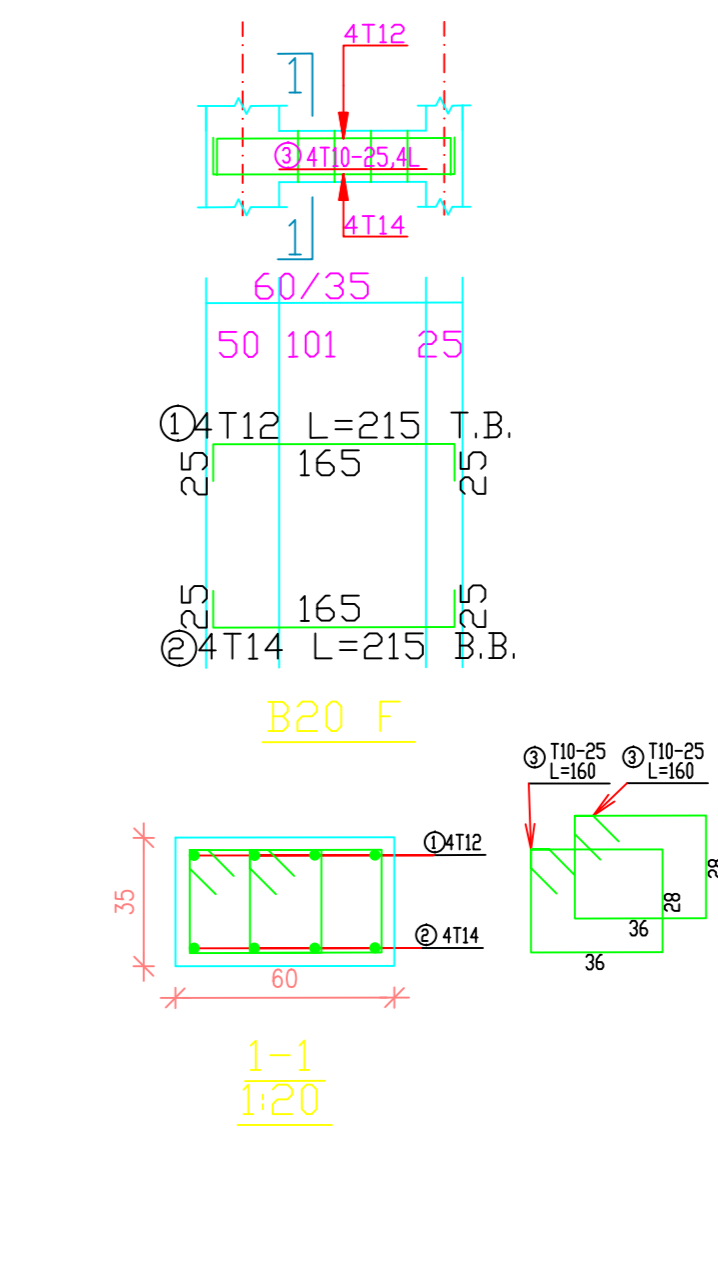
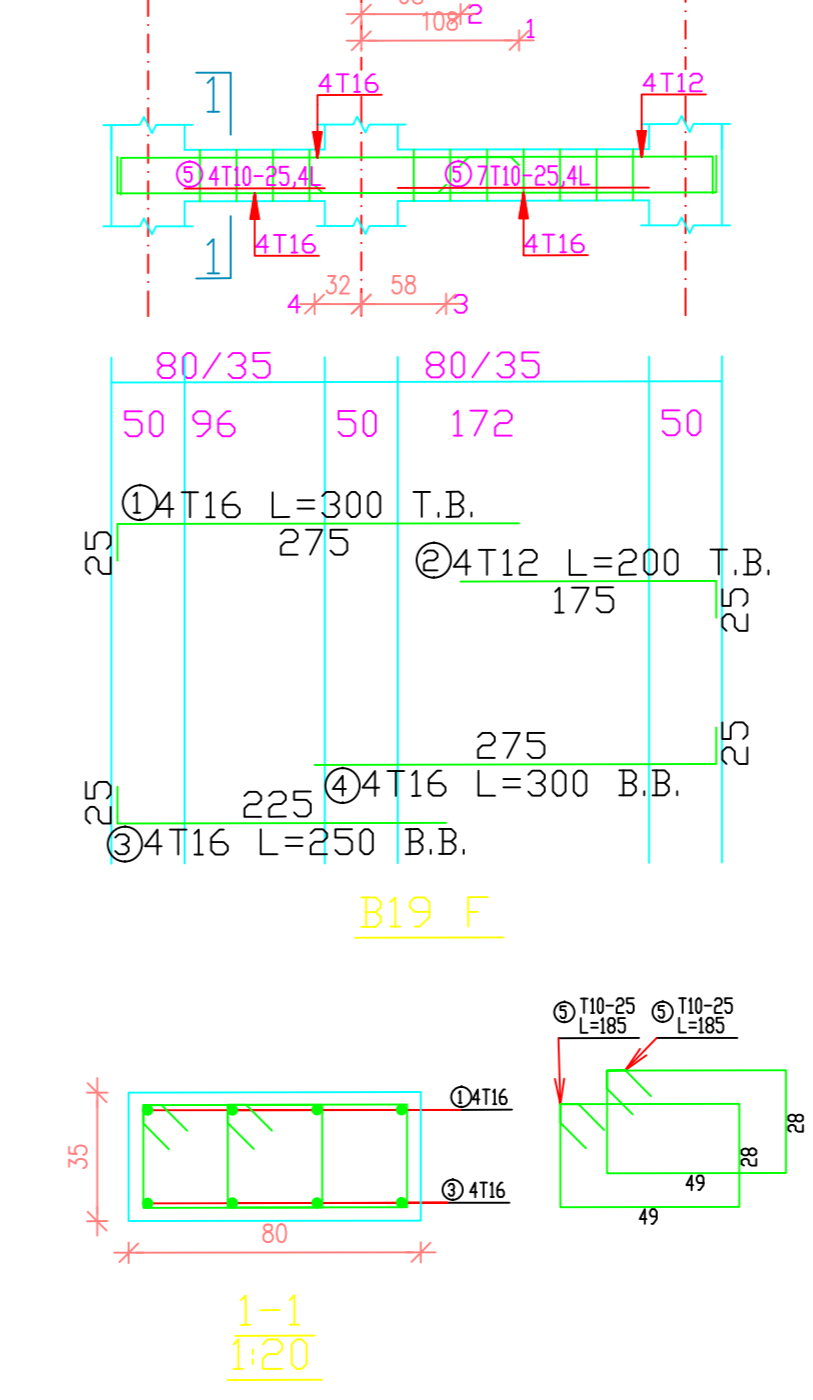
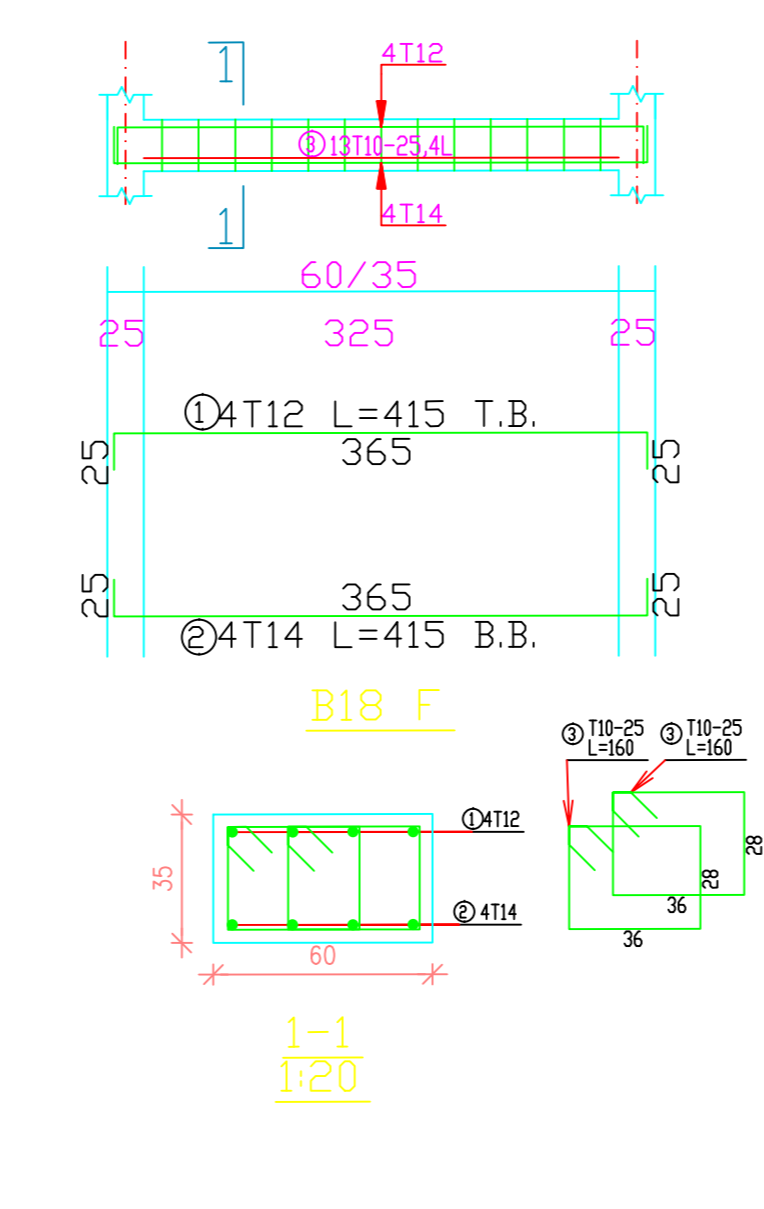
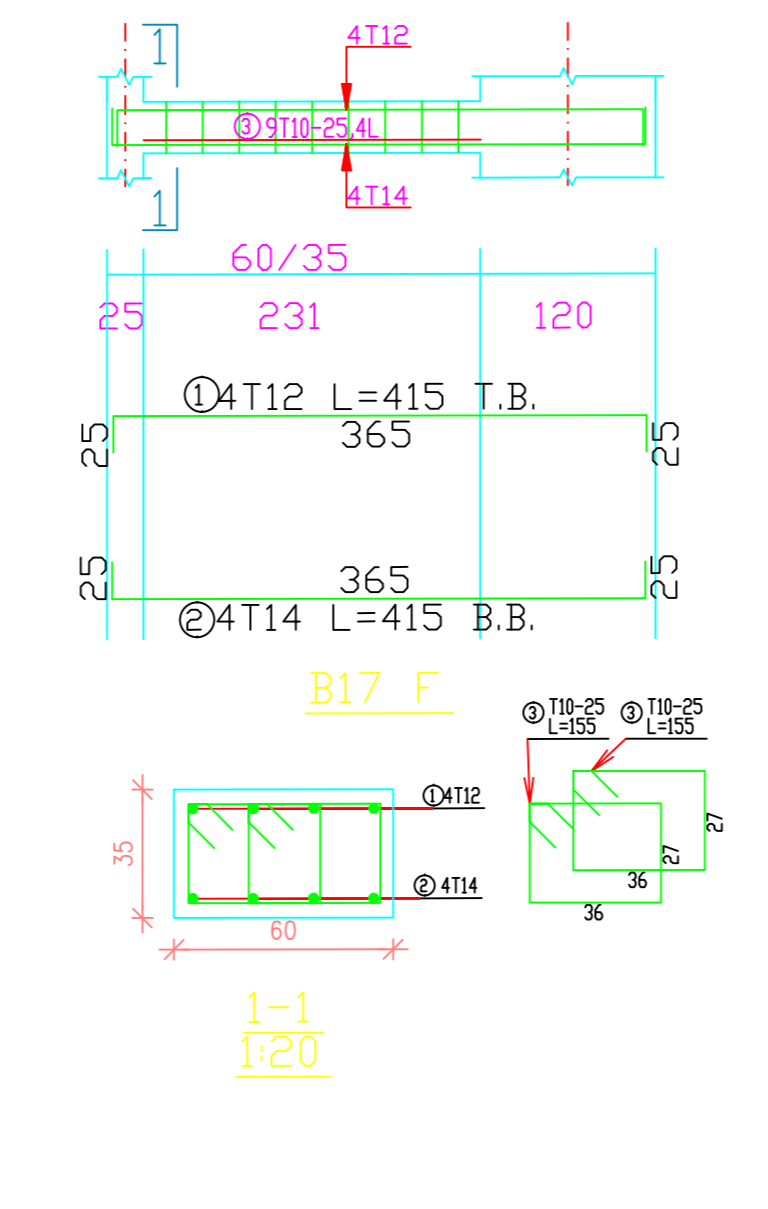
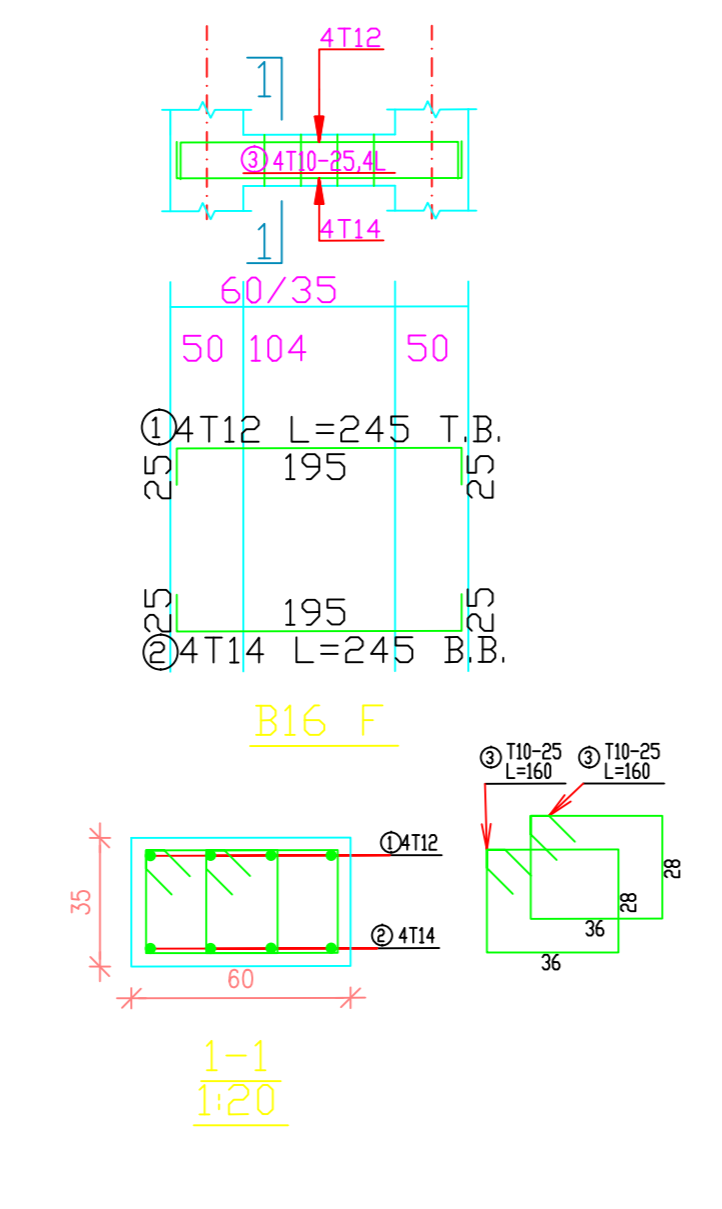
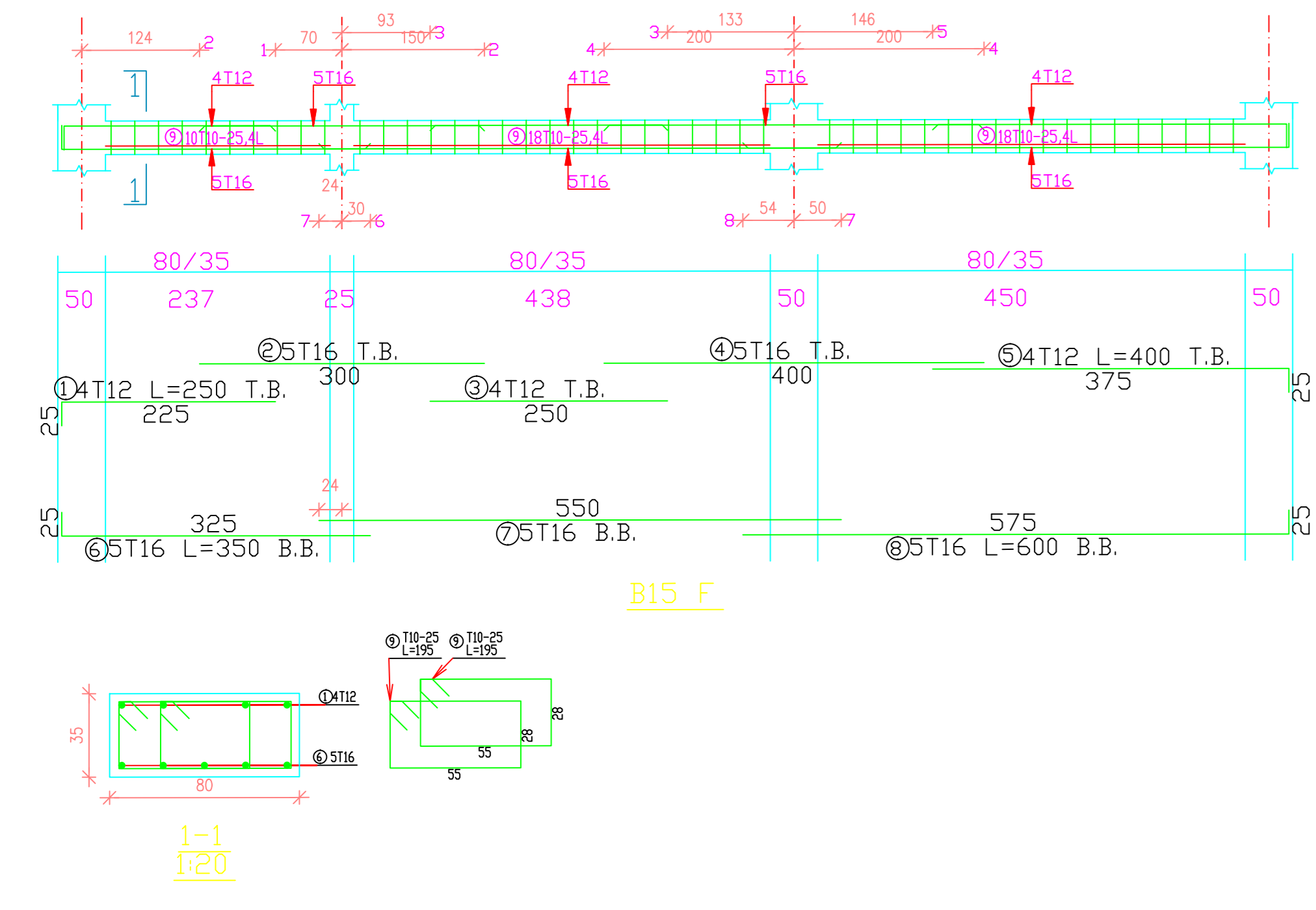
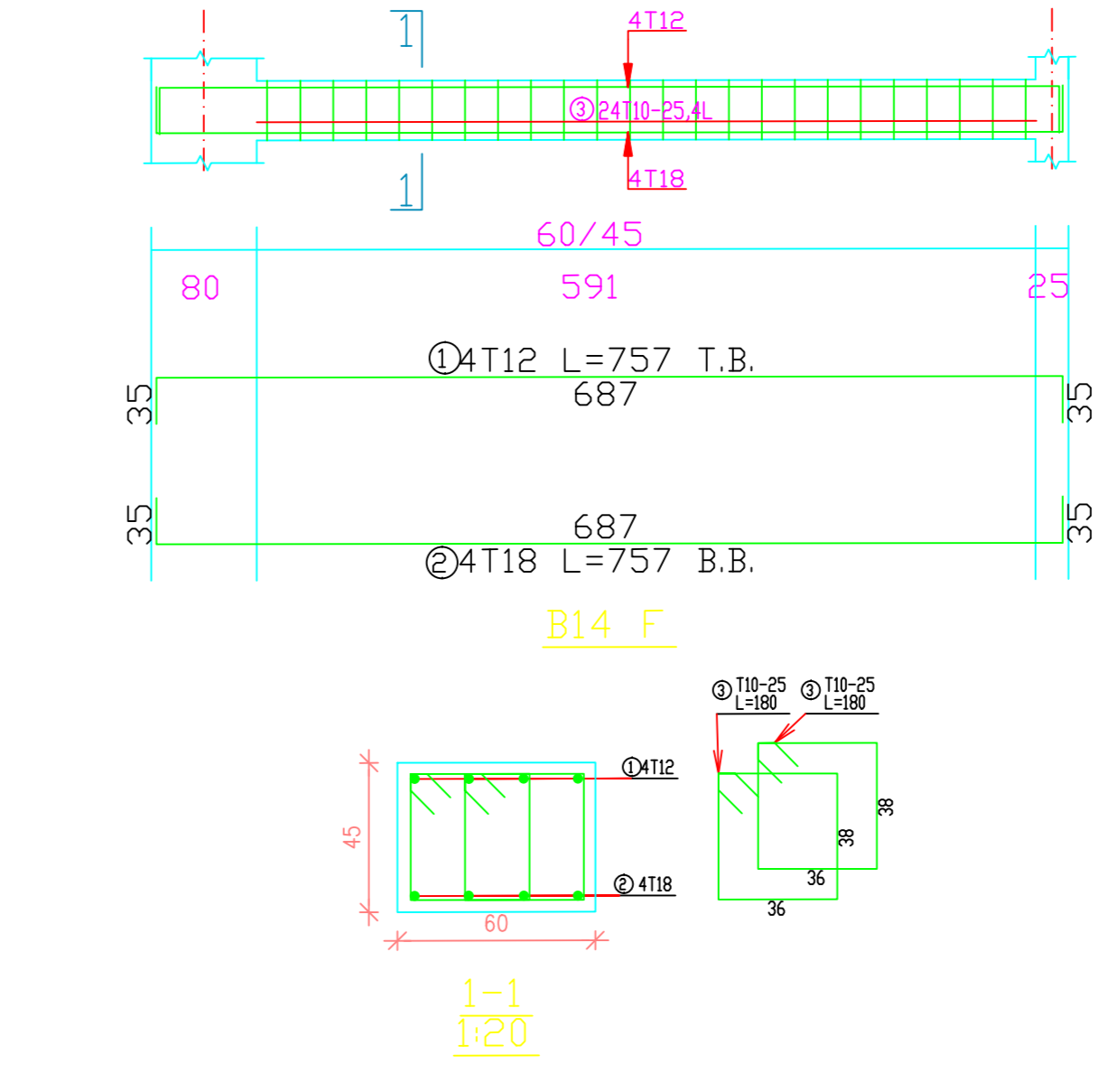
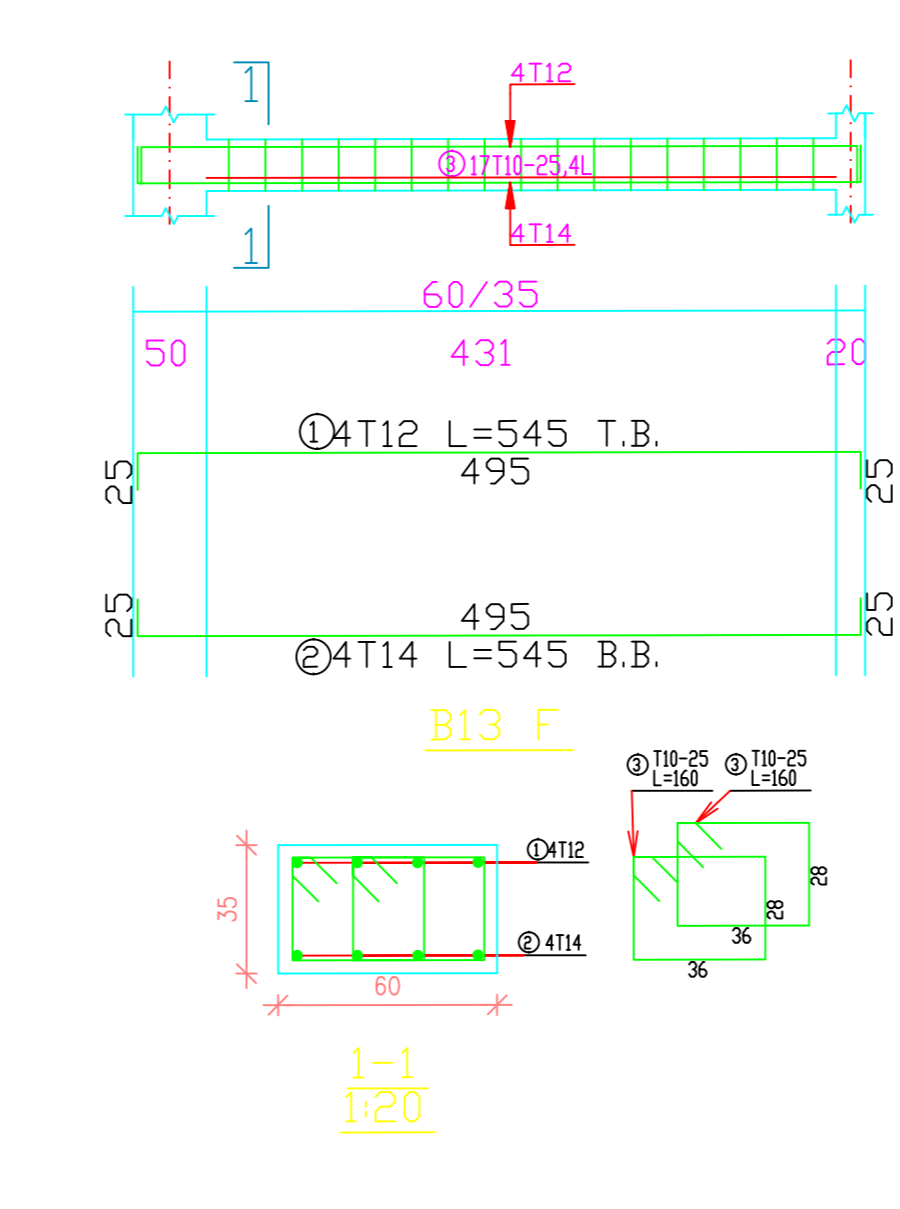
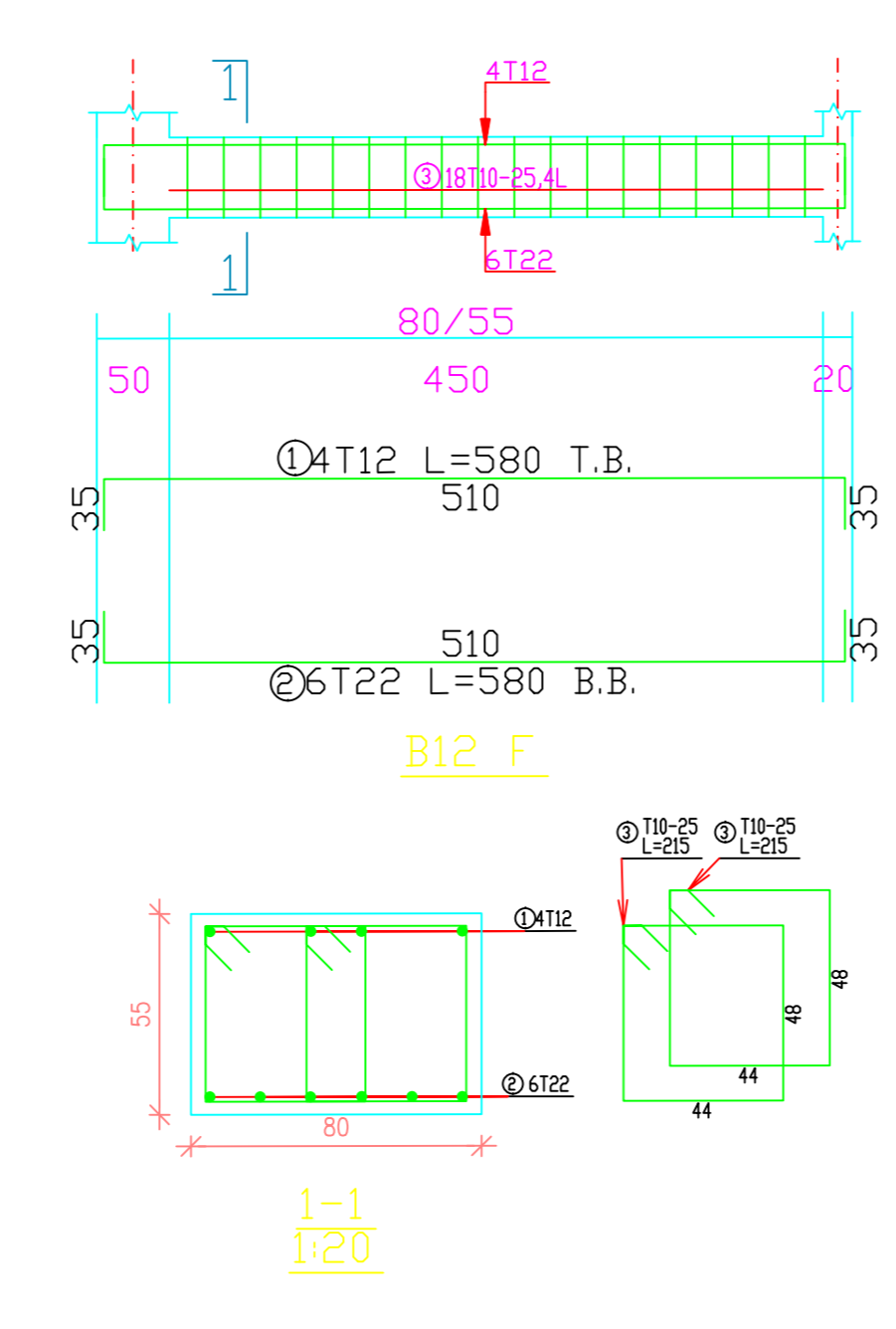
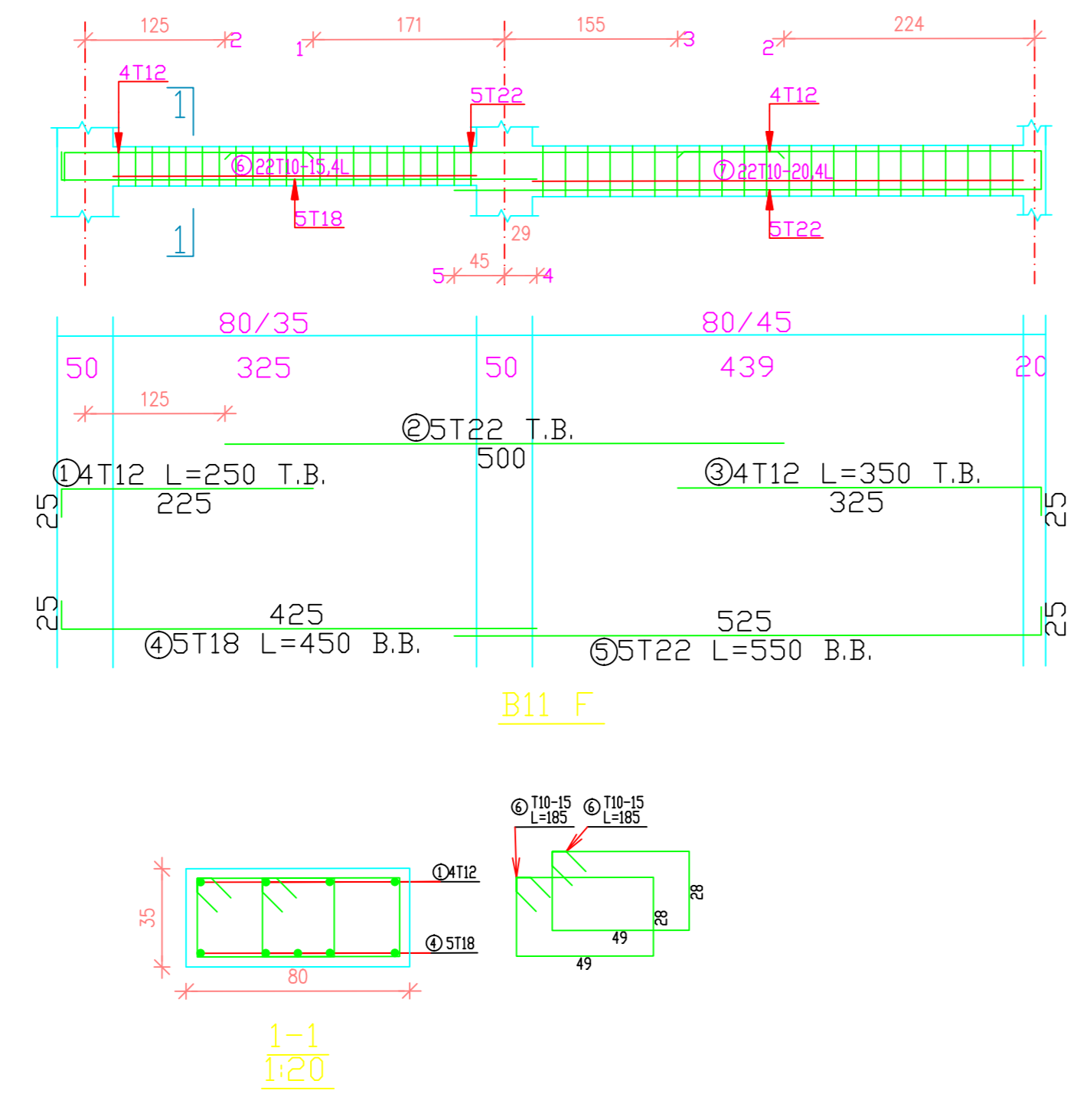
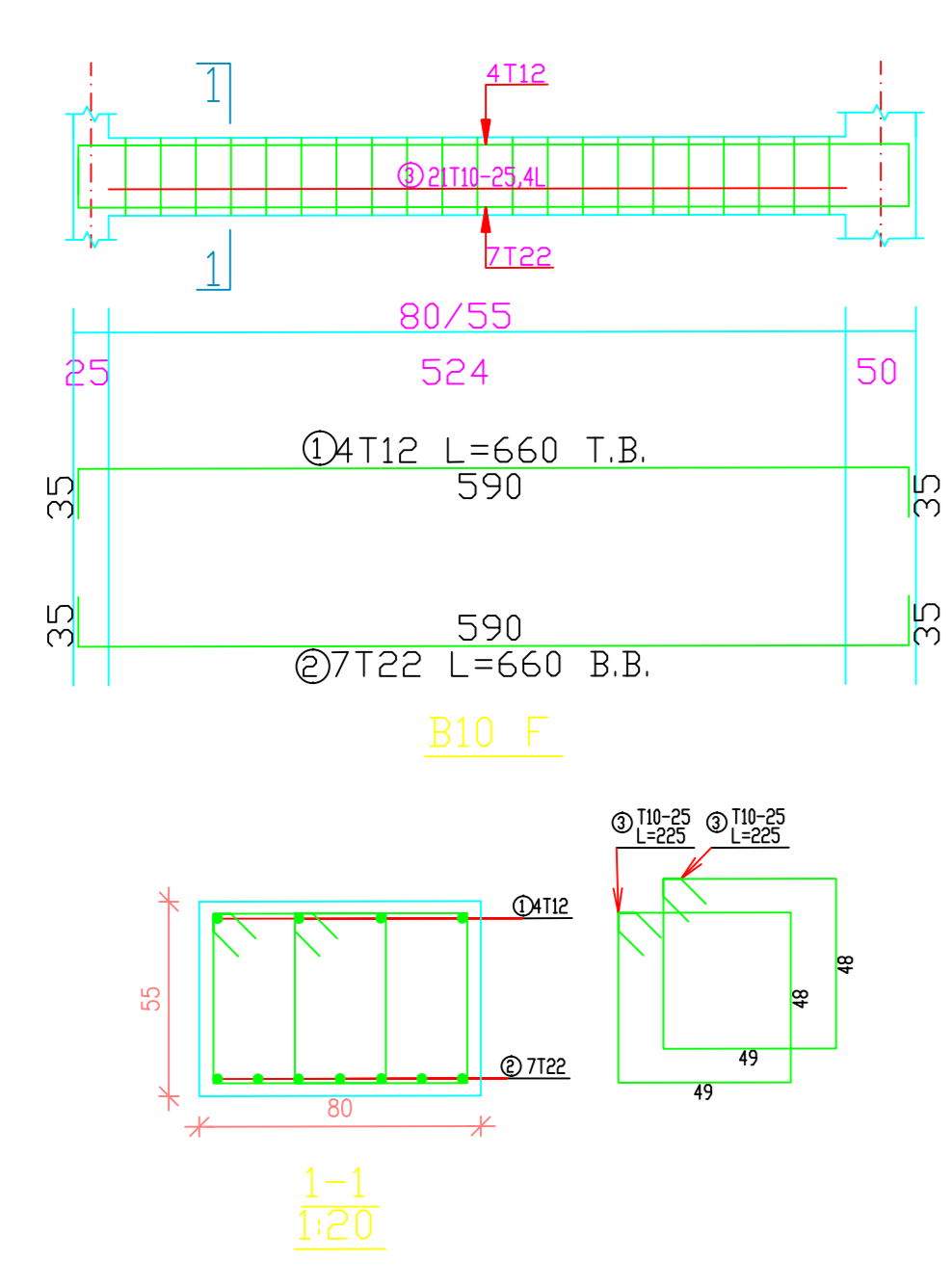
Drawing No :

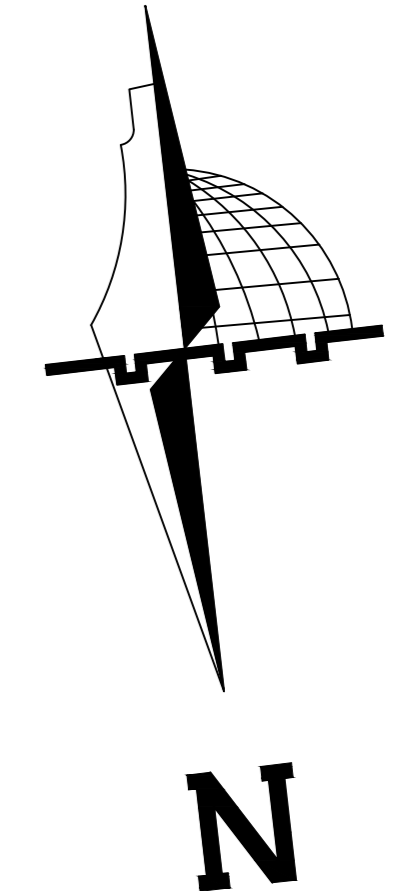
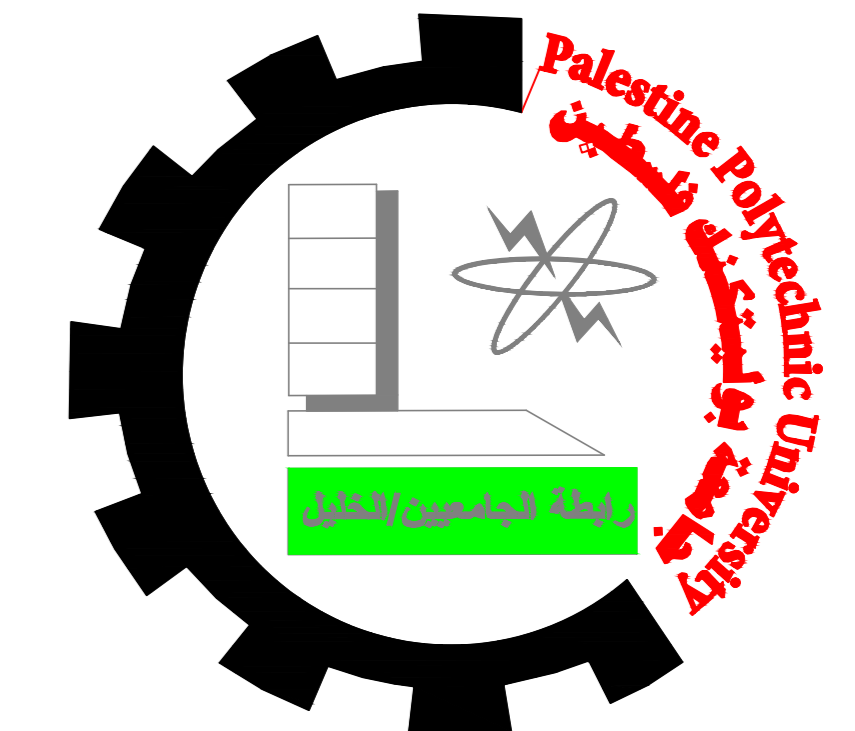
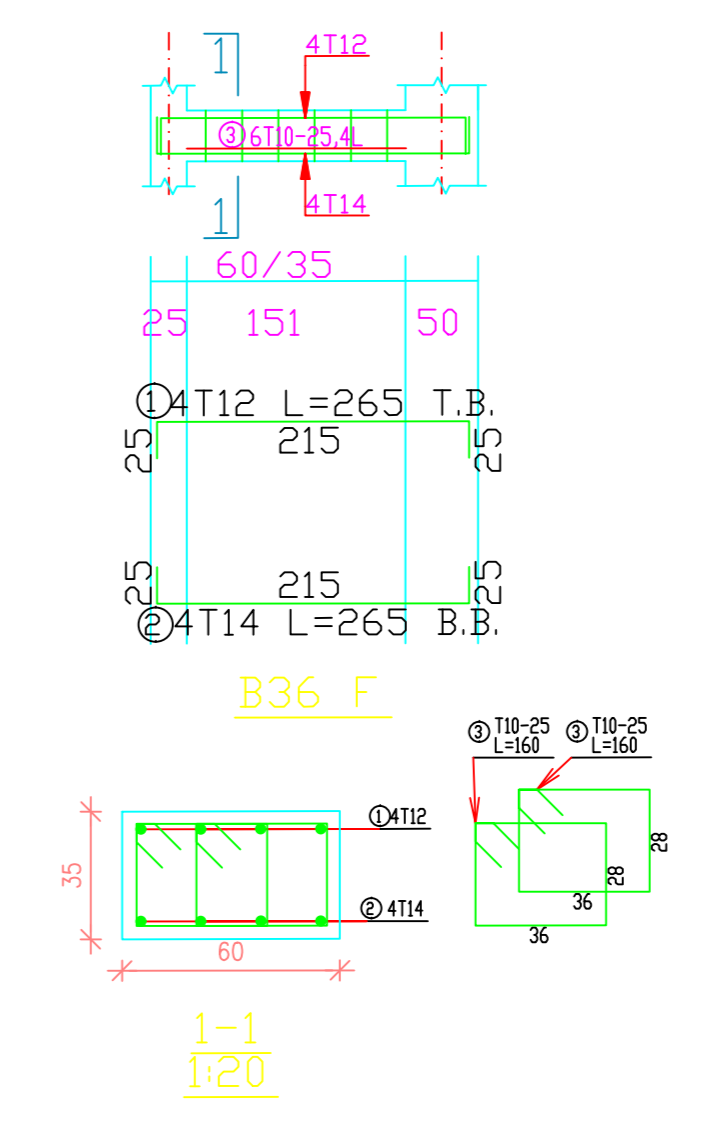
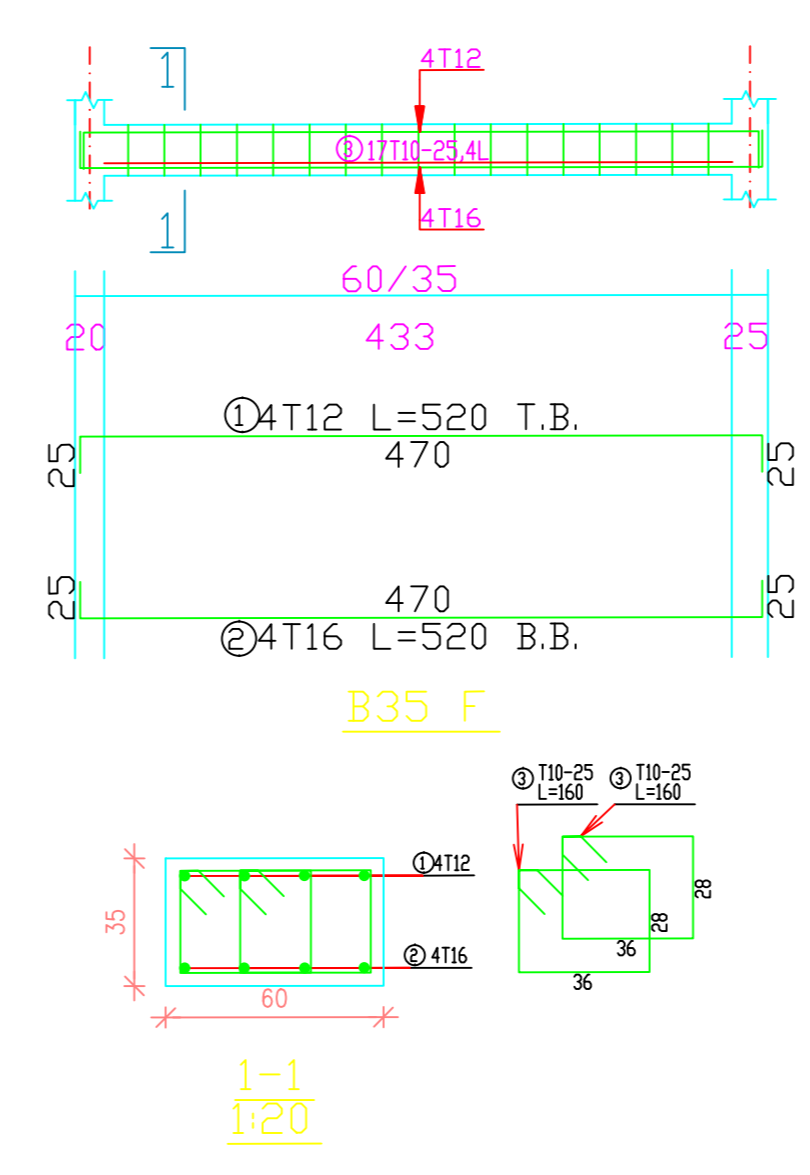
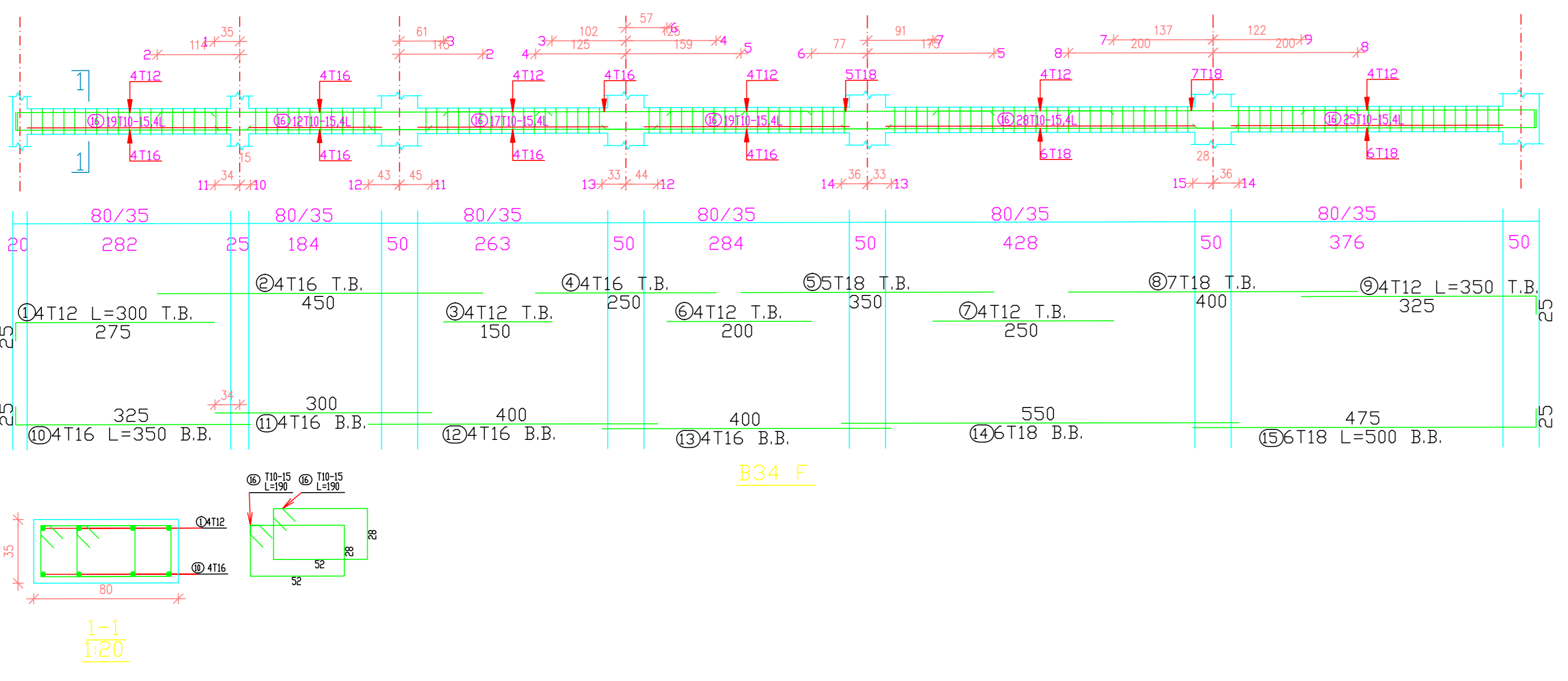
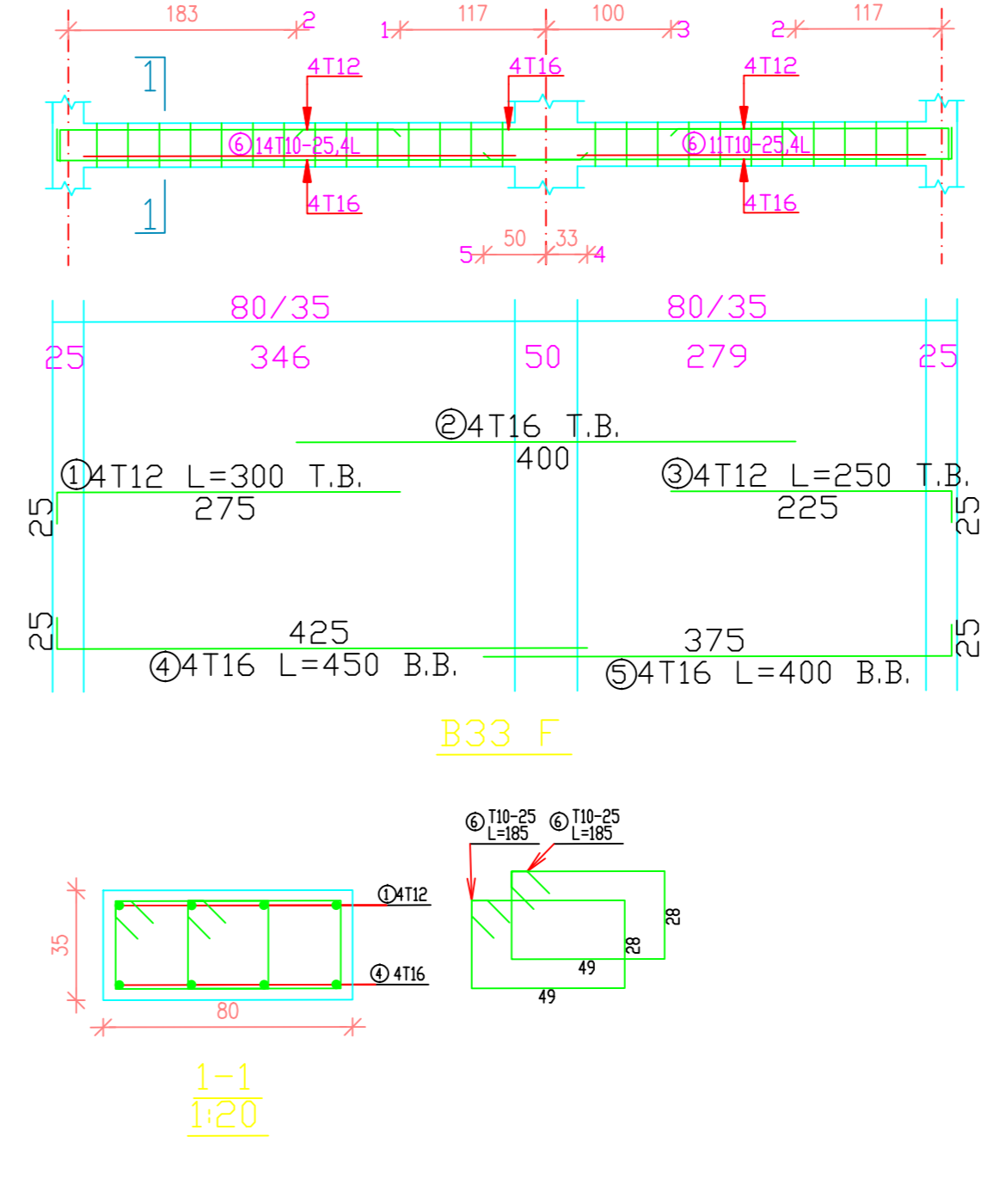
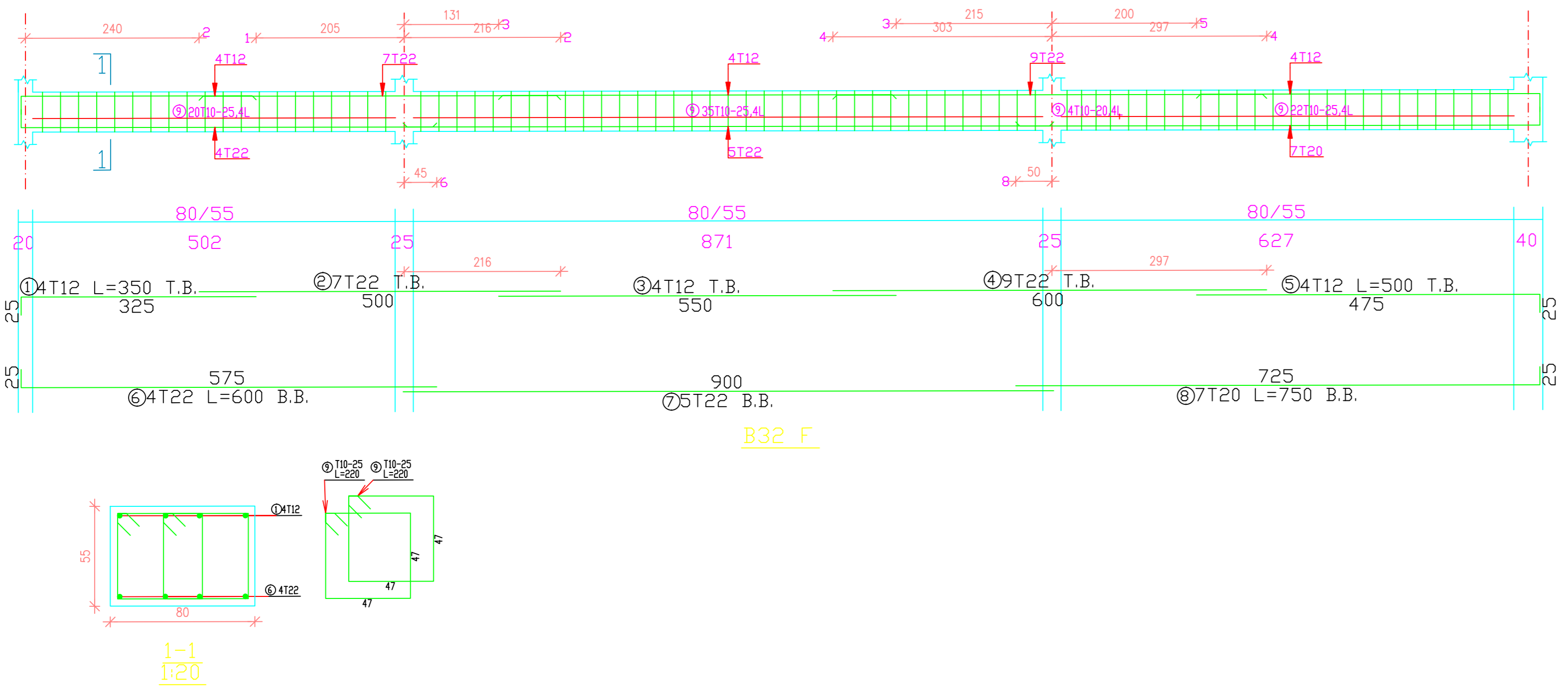
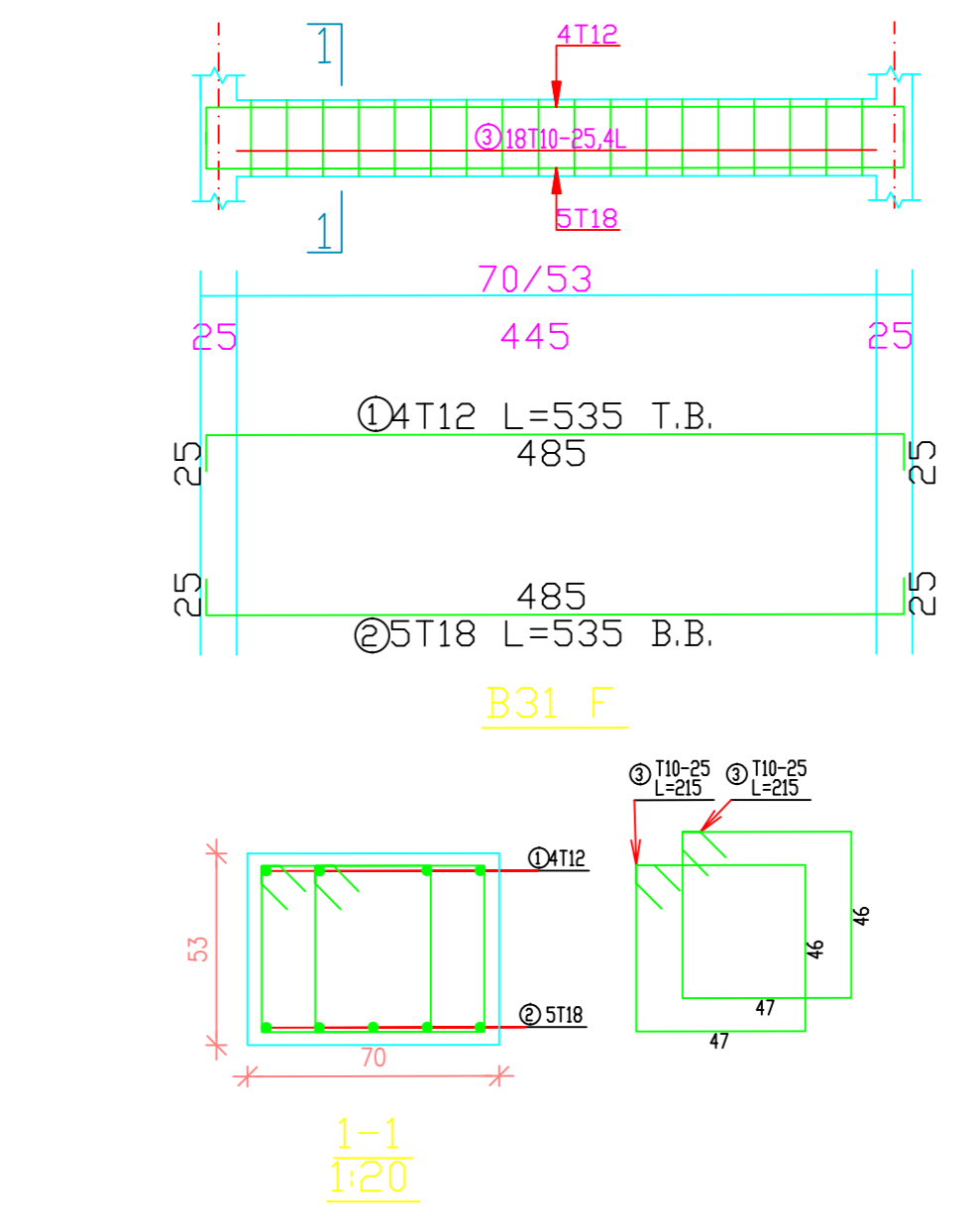
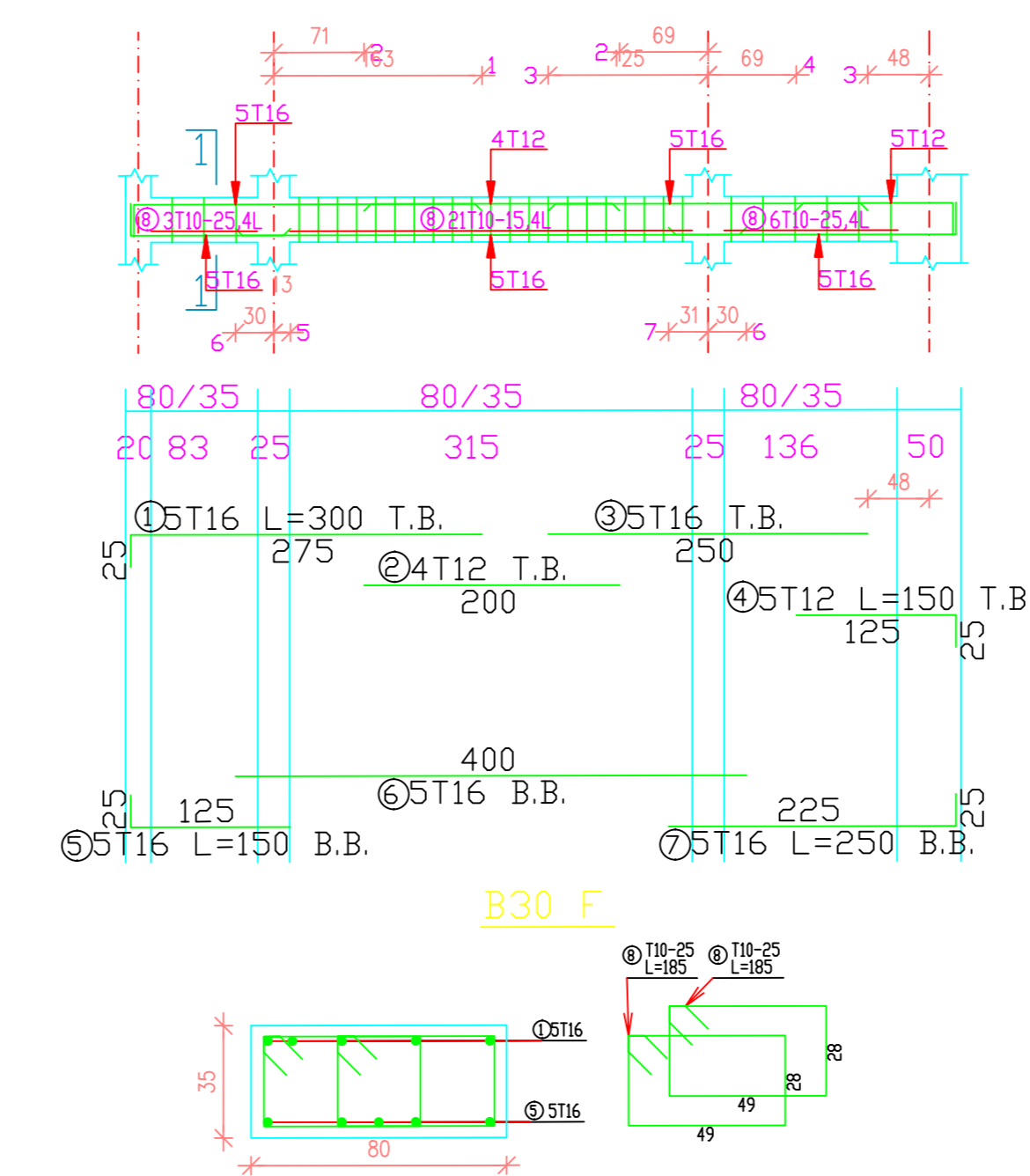
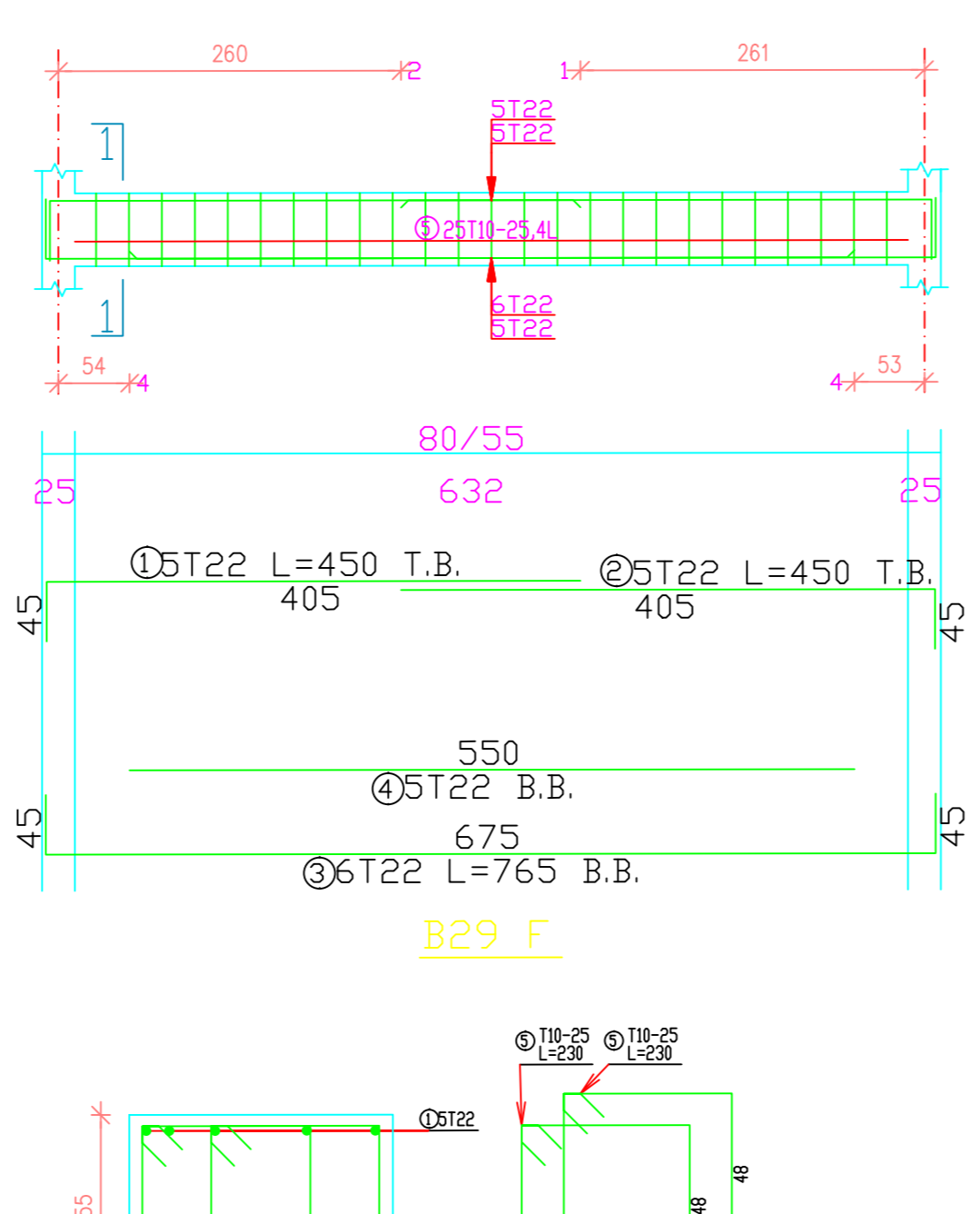
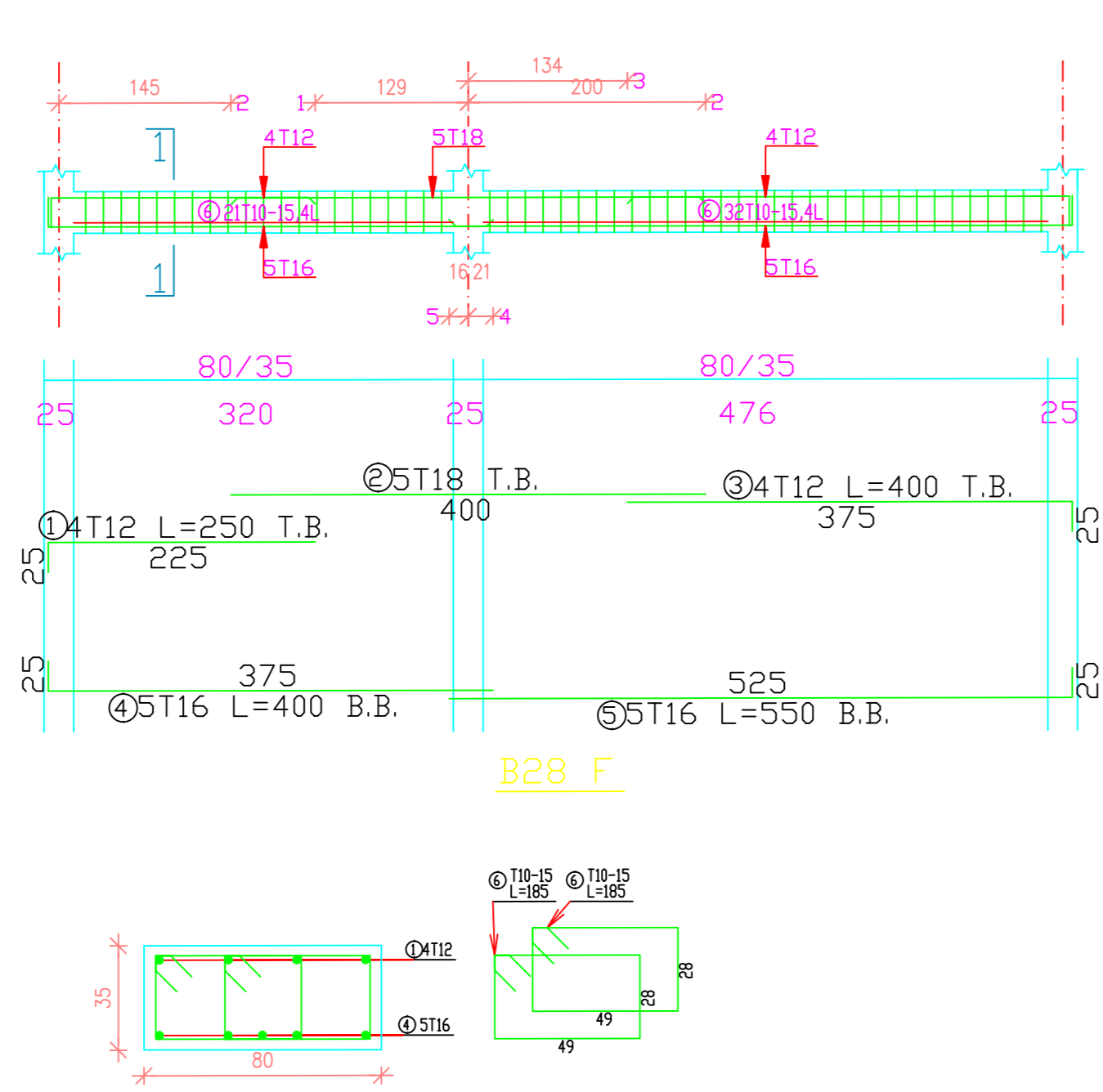
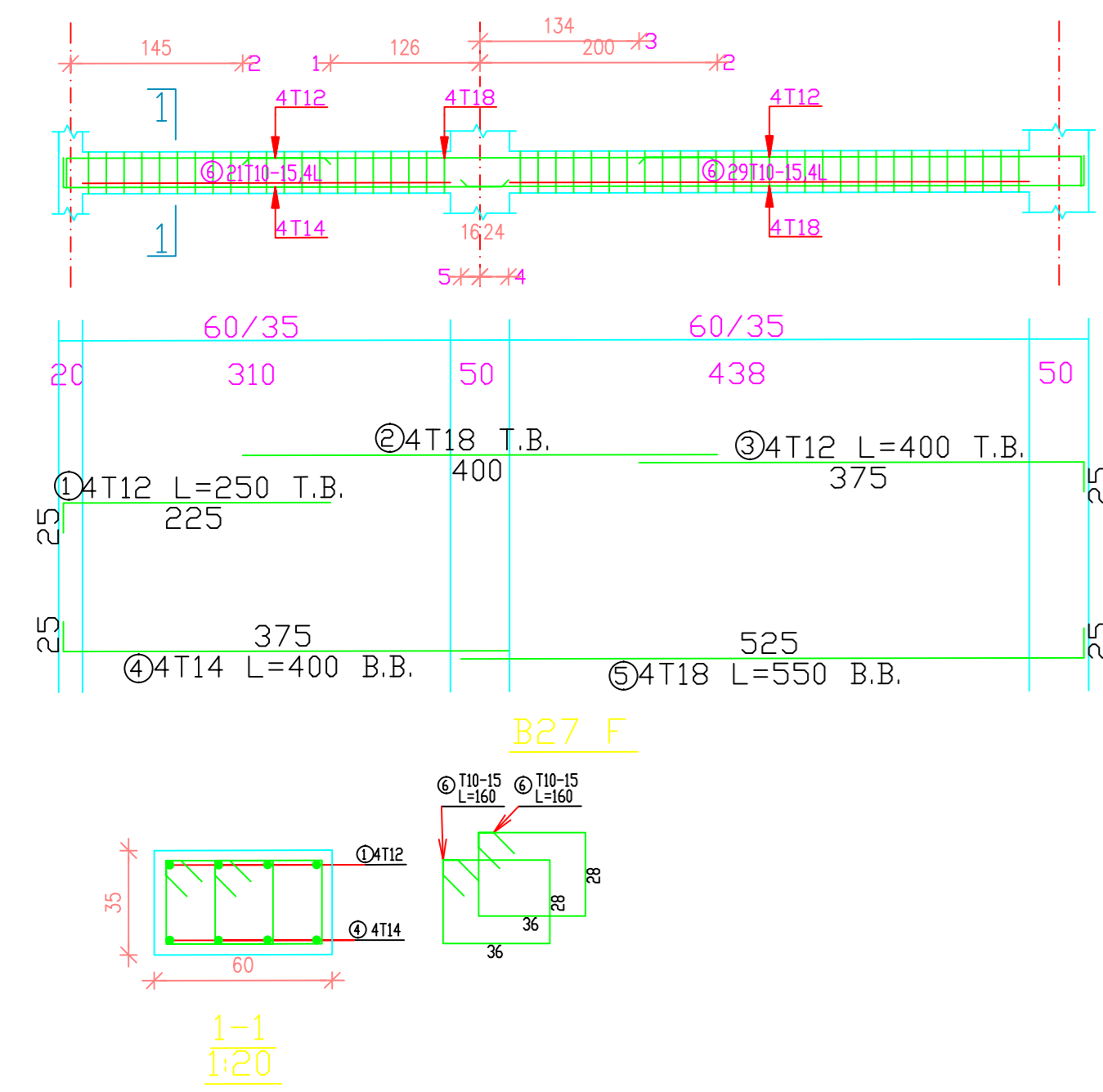
S 44

Date : 2/6/2021

View scale 1/50

Cover 4 cm





NOTES:
All Dimensions are in meters unless otherwise shown.
All spot levels are in meters.

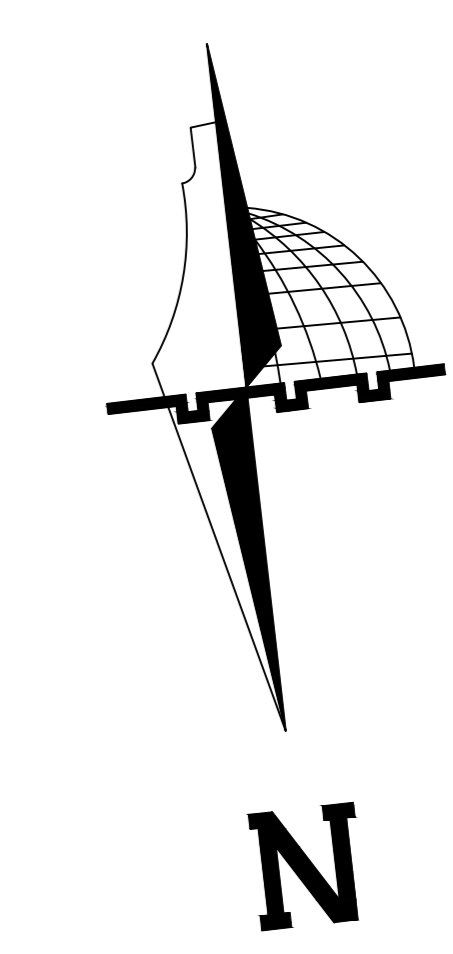
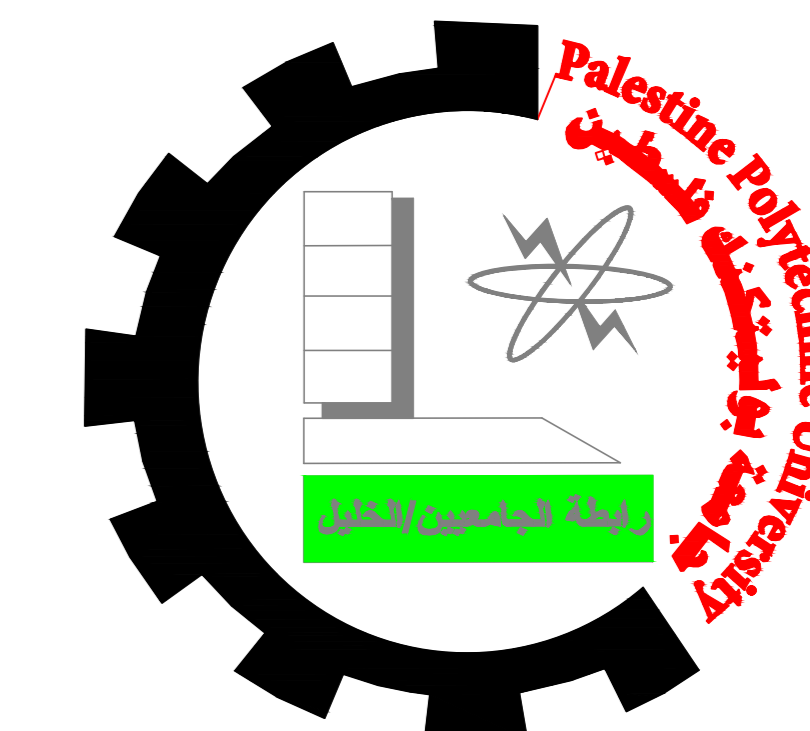
Palestine Polytechnic University
Civil. & Arch. Eng. Department
Building Engineering
Project :
Residential Commercial Building
Designed By :
Feras Abo-Aljraysh
Noor Beiwat
Anas Jobran
Supervisor :
Eng.Mai Haddad
Drawing Title :
Beams Details

Drawing No :
S 45

Date : 2/6/2021

View scale 1/50

Cover 4 cm



NOTES:

All Dimensions are in meters unless otherwise shown.
All spot levels are in meters.

Palestine Polytechnic University
Civil. & Arch. Eng. Department
Building Engineering

Project:
Residential Commercial Building

Designed By:
Feras Abo-Aljaysh
Noor Beiwat
Anas Jobran

Supervisor:
Eng. Mai Haddad

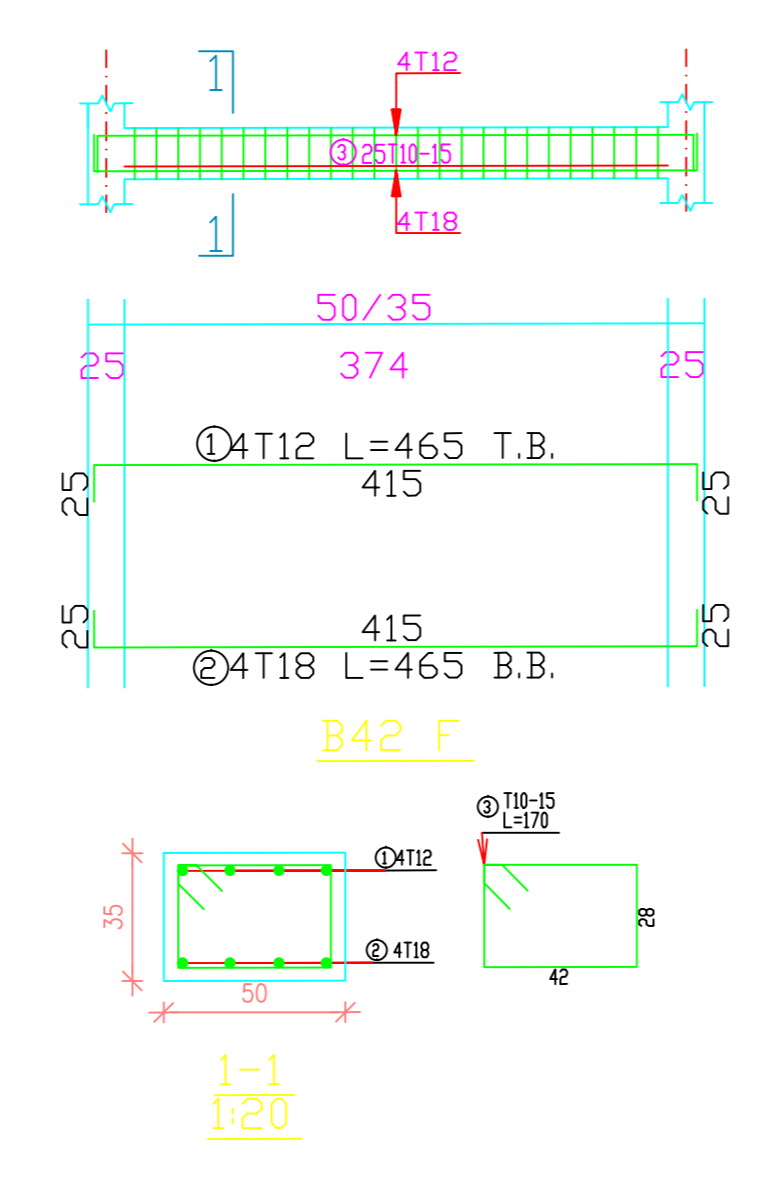
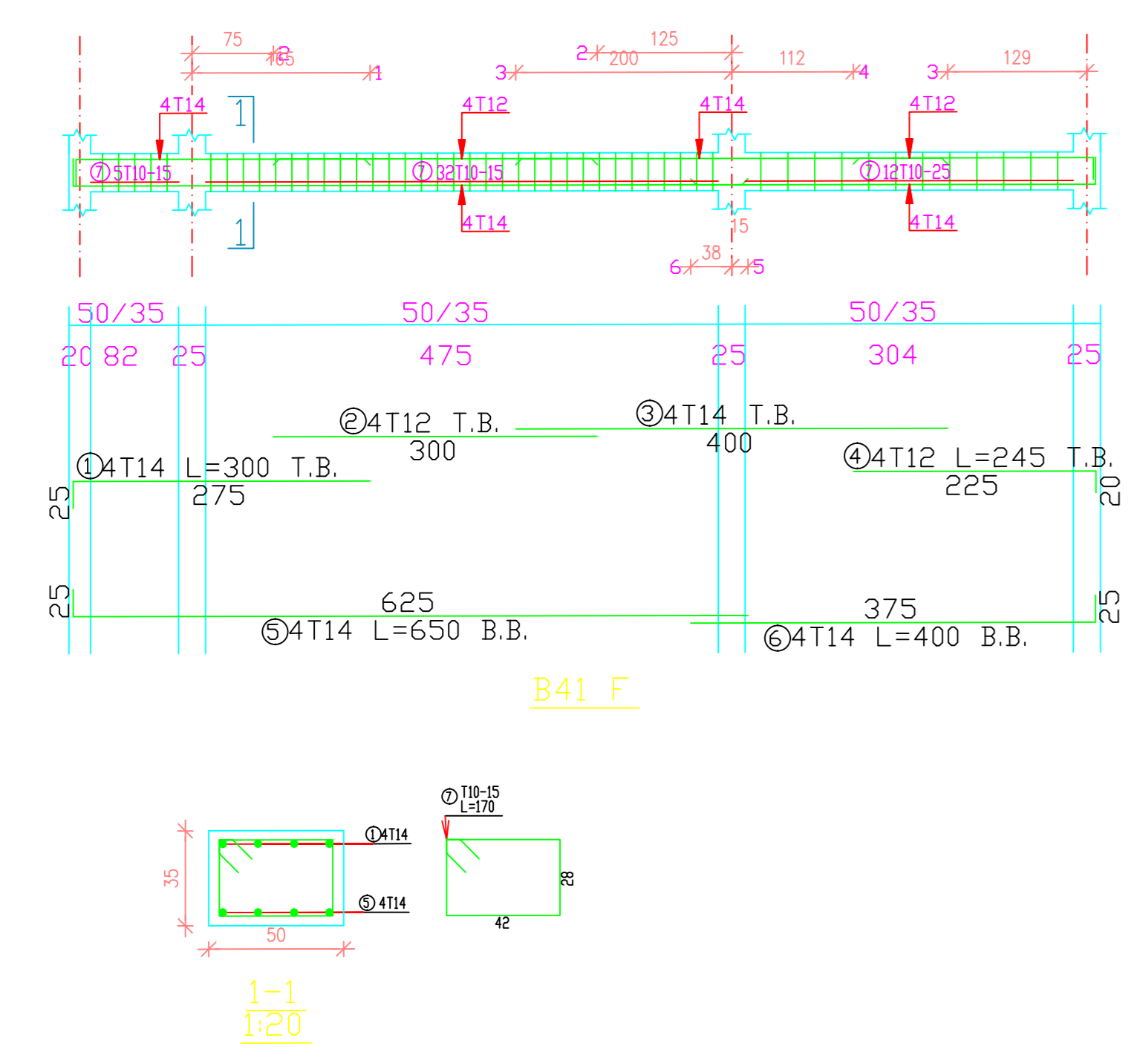
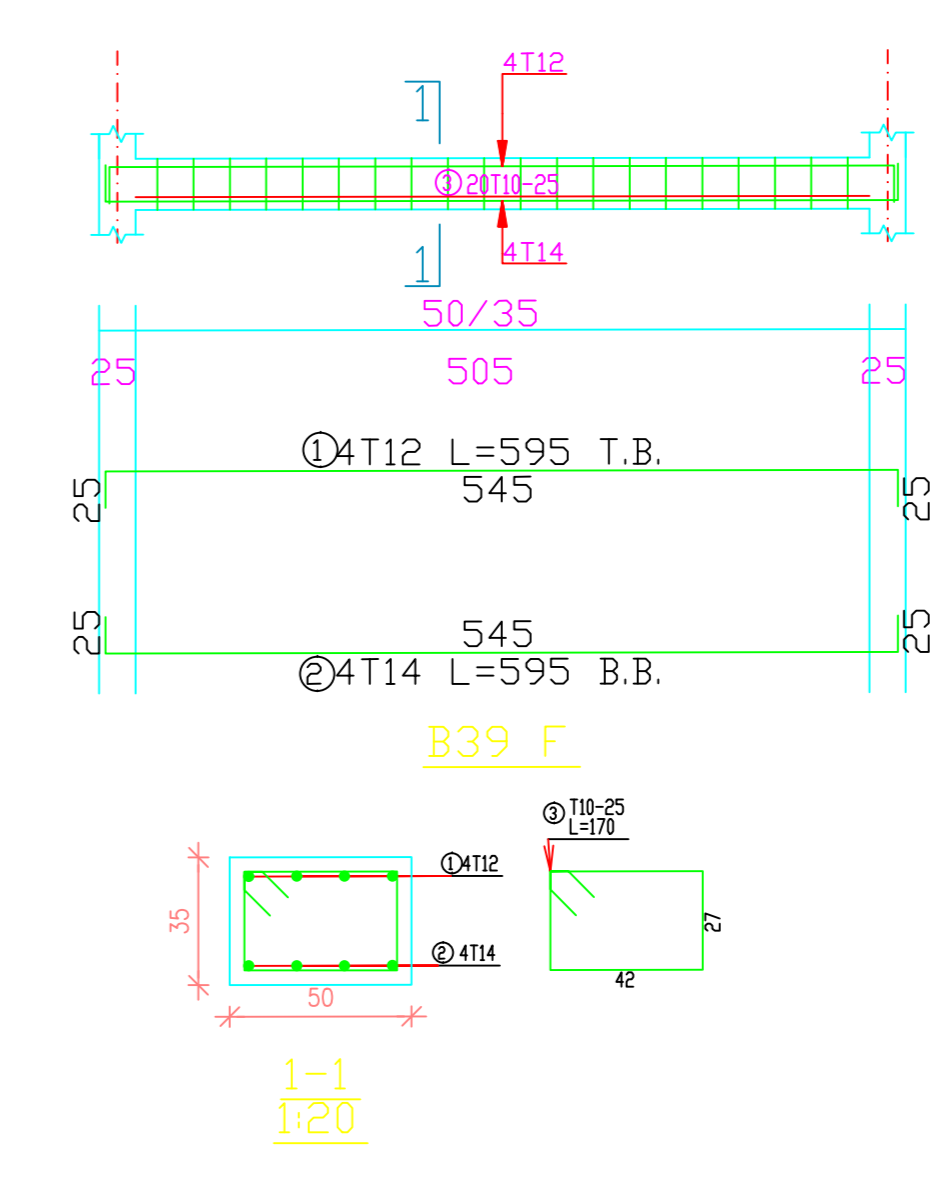
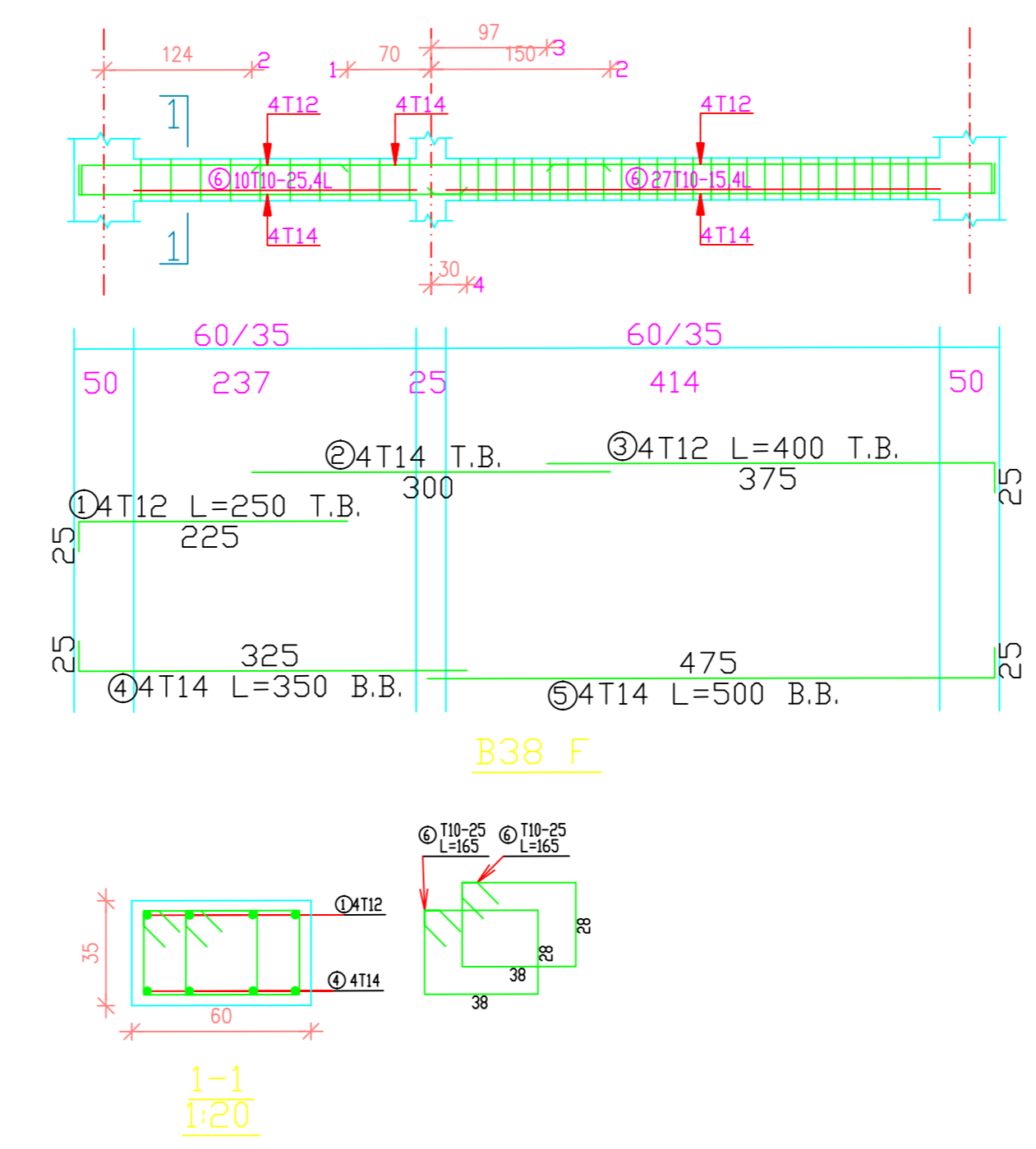
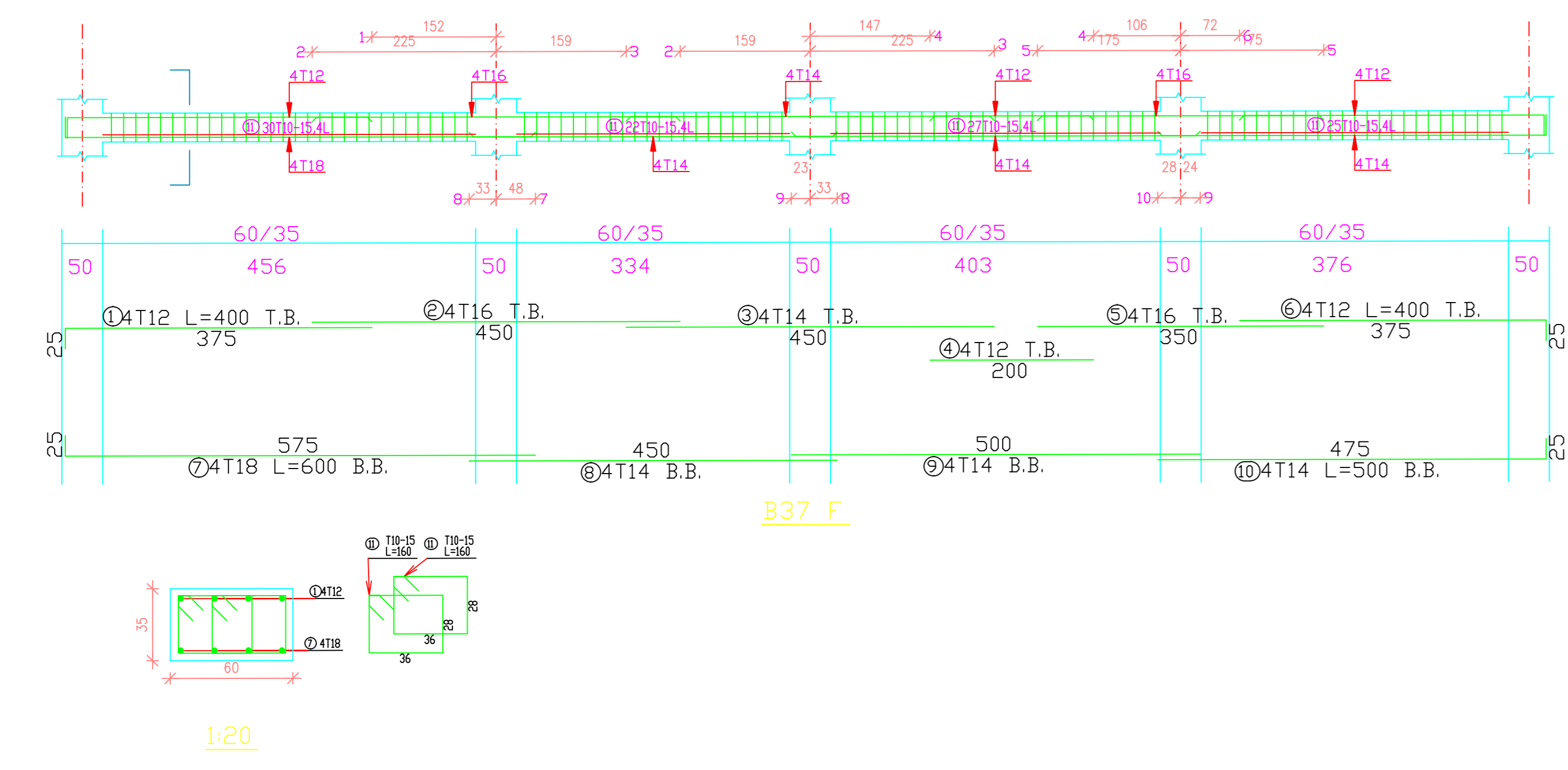
Drawing Title:
Beams Details

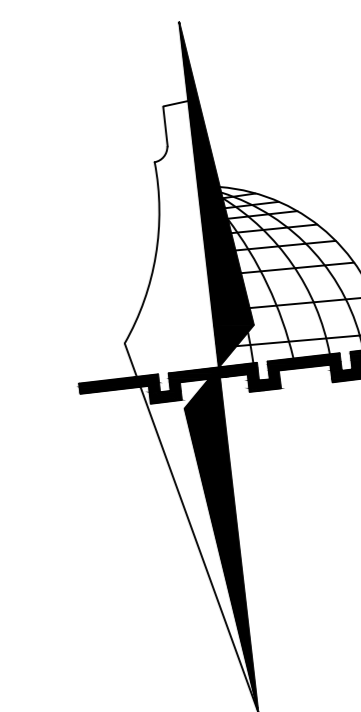
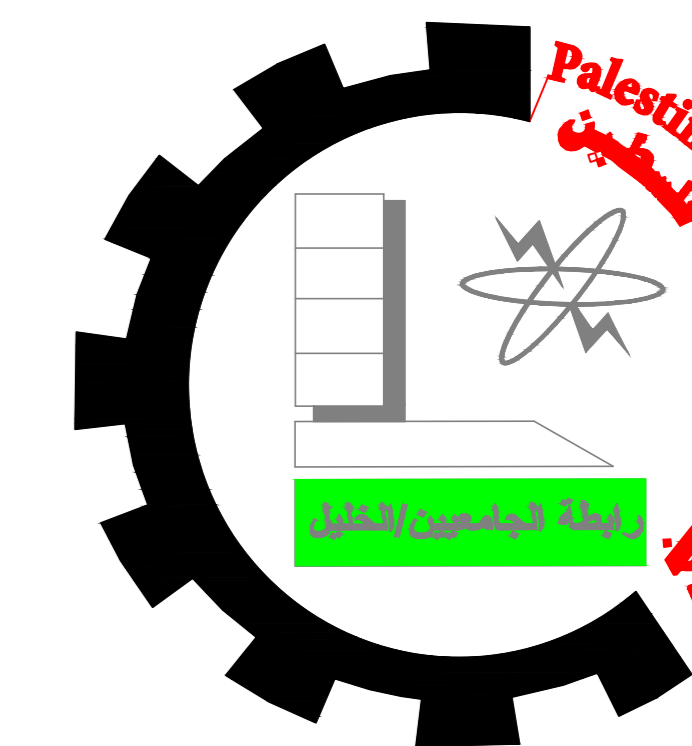
Drawing No:
S 46

Date: 2/6/2021

View scale 1/50

Cover 4 cm





N

NOTES:

All Dimensions are in meters unless otherwise shown.

All spot levels are in meters.

Palestine Polytechnic University
Civil. & Arch. Eng. Department

Building Engineering

Project:

Residential Commercial Building

Designed By:

Feras Abo-Aljaysh
Noor Beiwat
Anas Jobran

Supervisor:

Eng.Mai Haddad

Drawing Title:

Beams Details

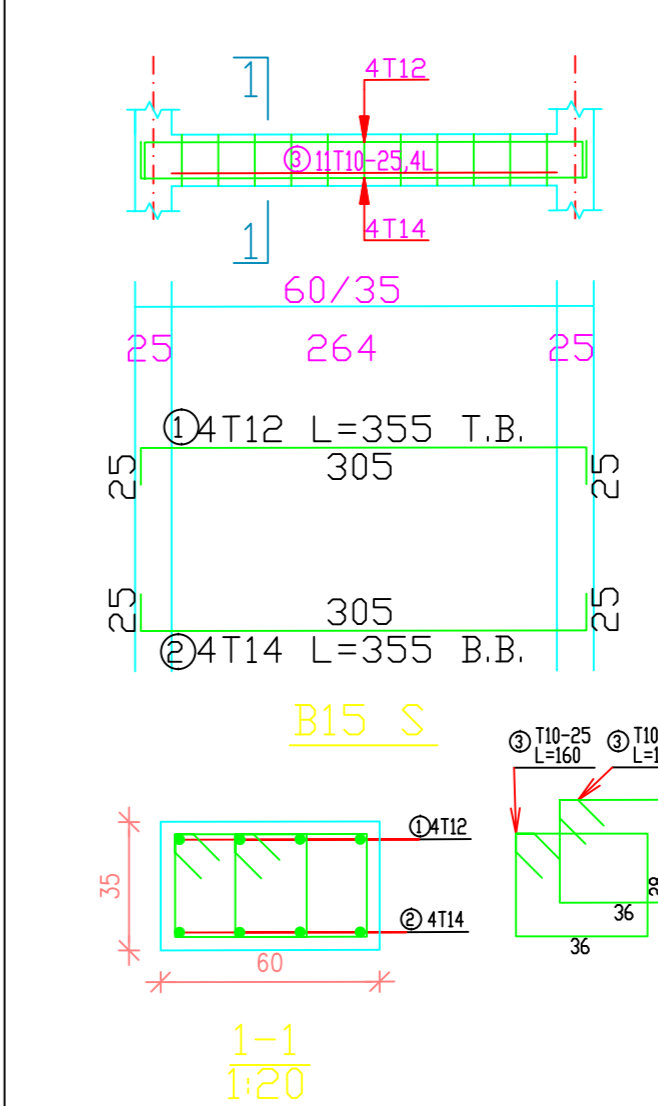
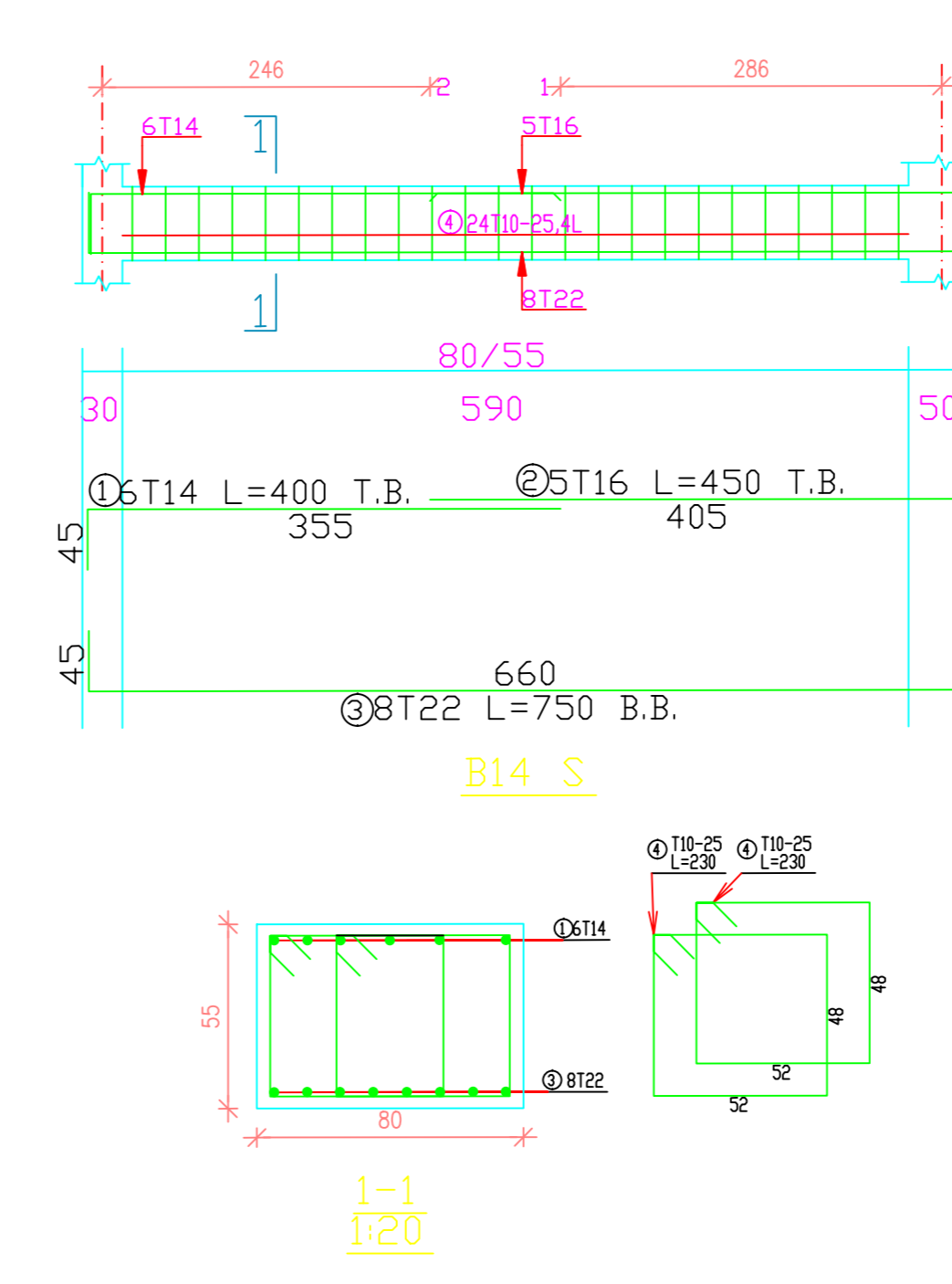
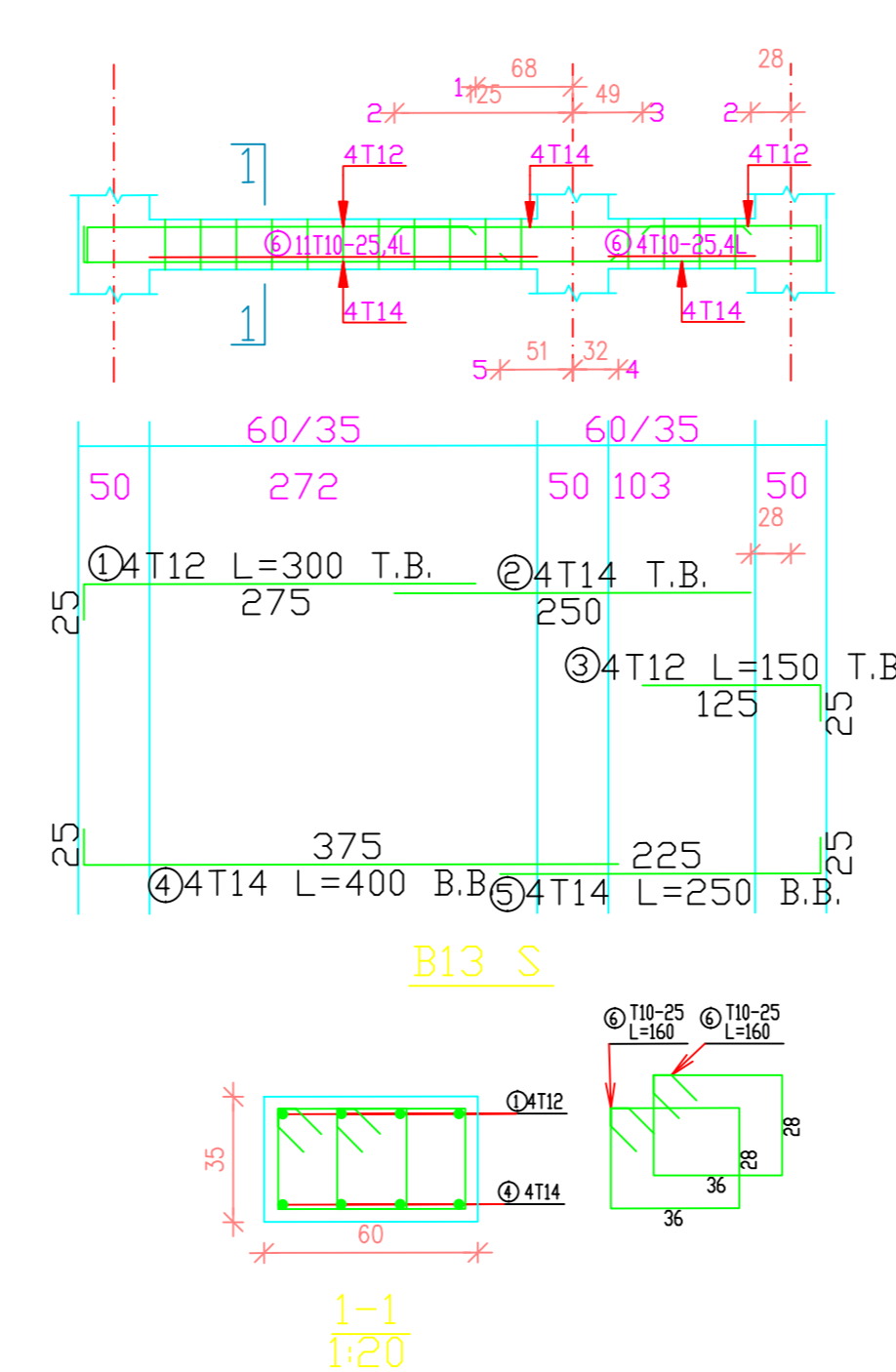
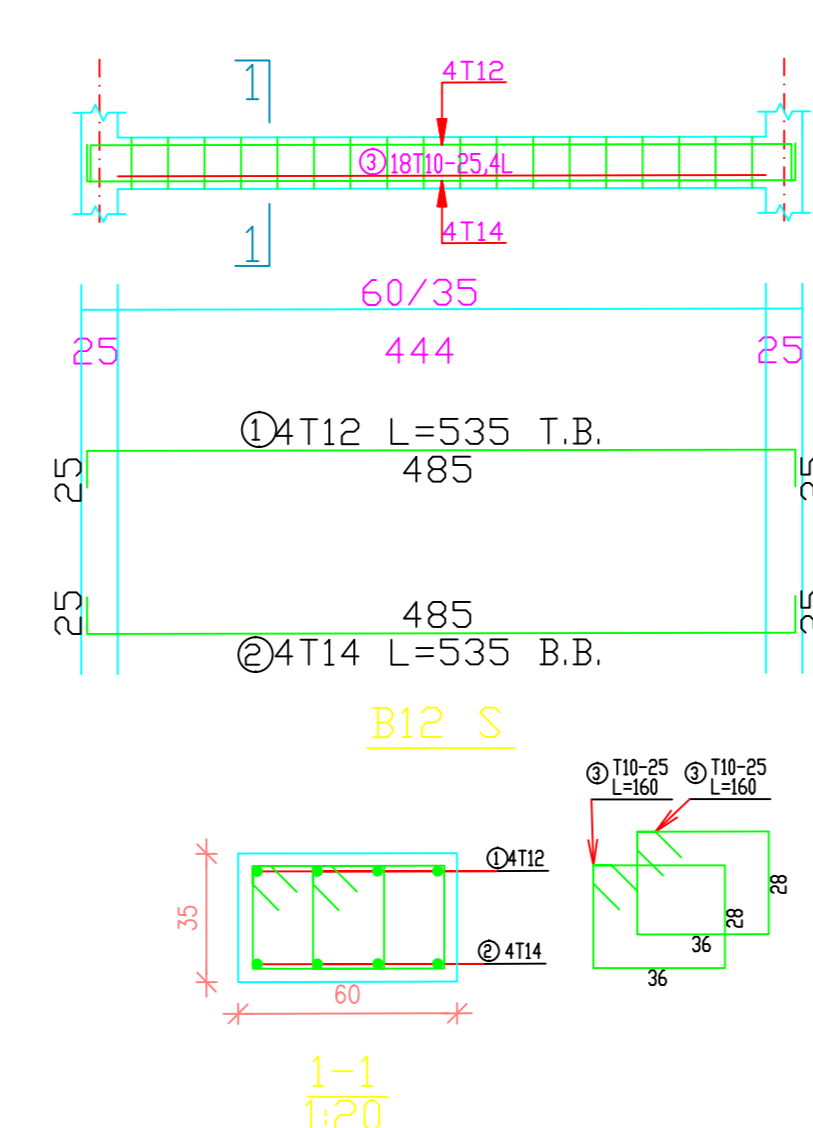
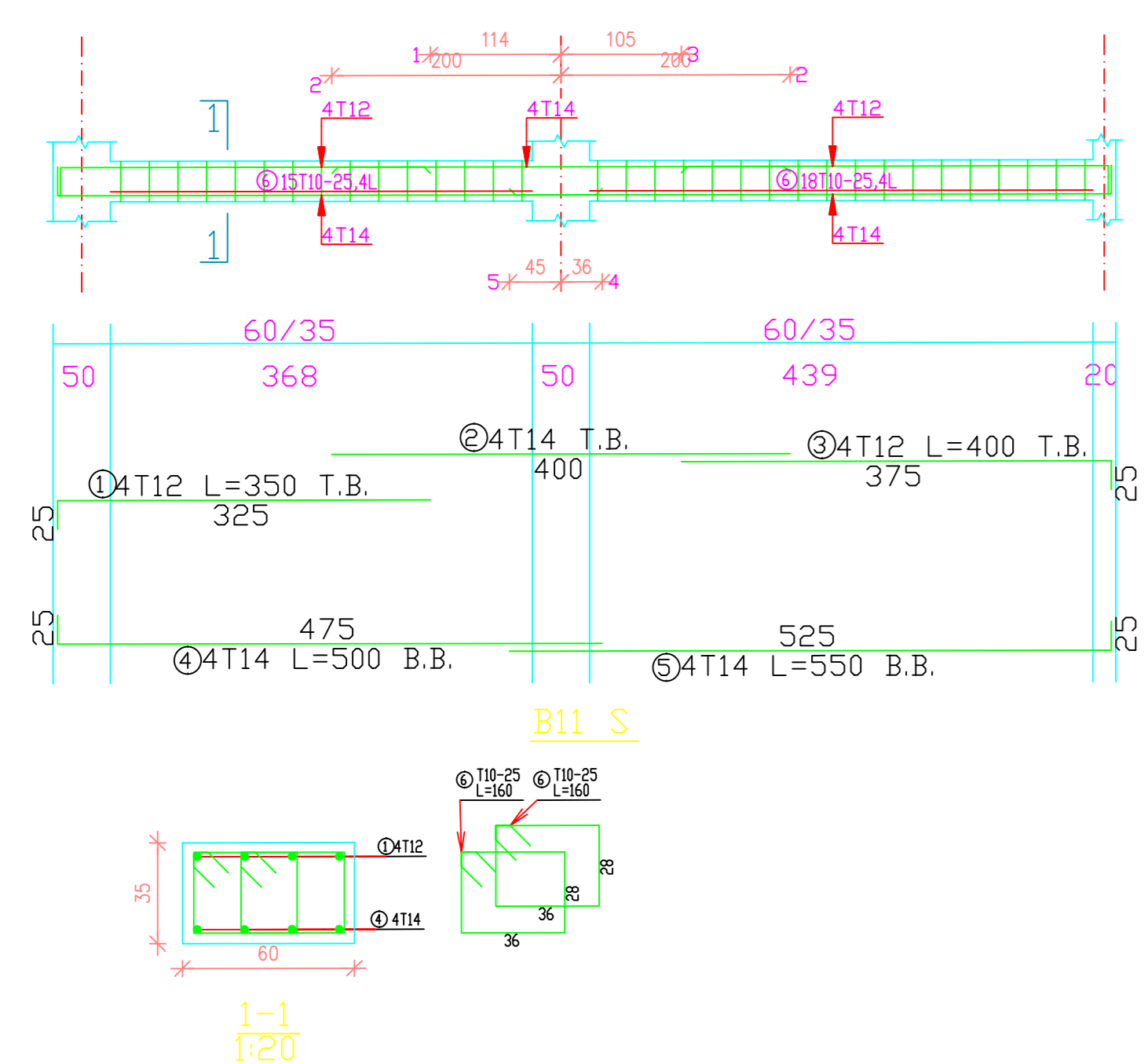
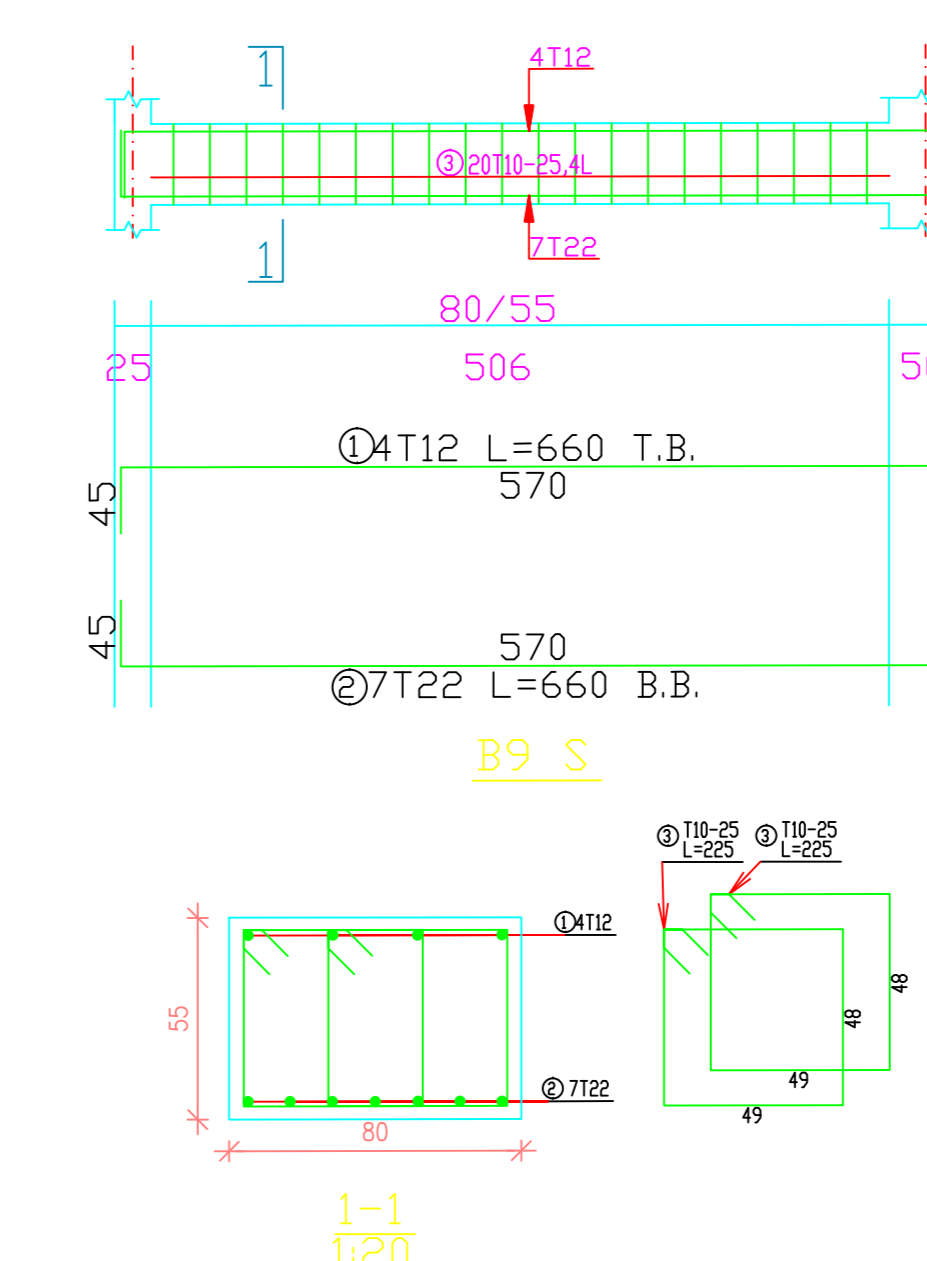
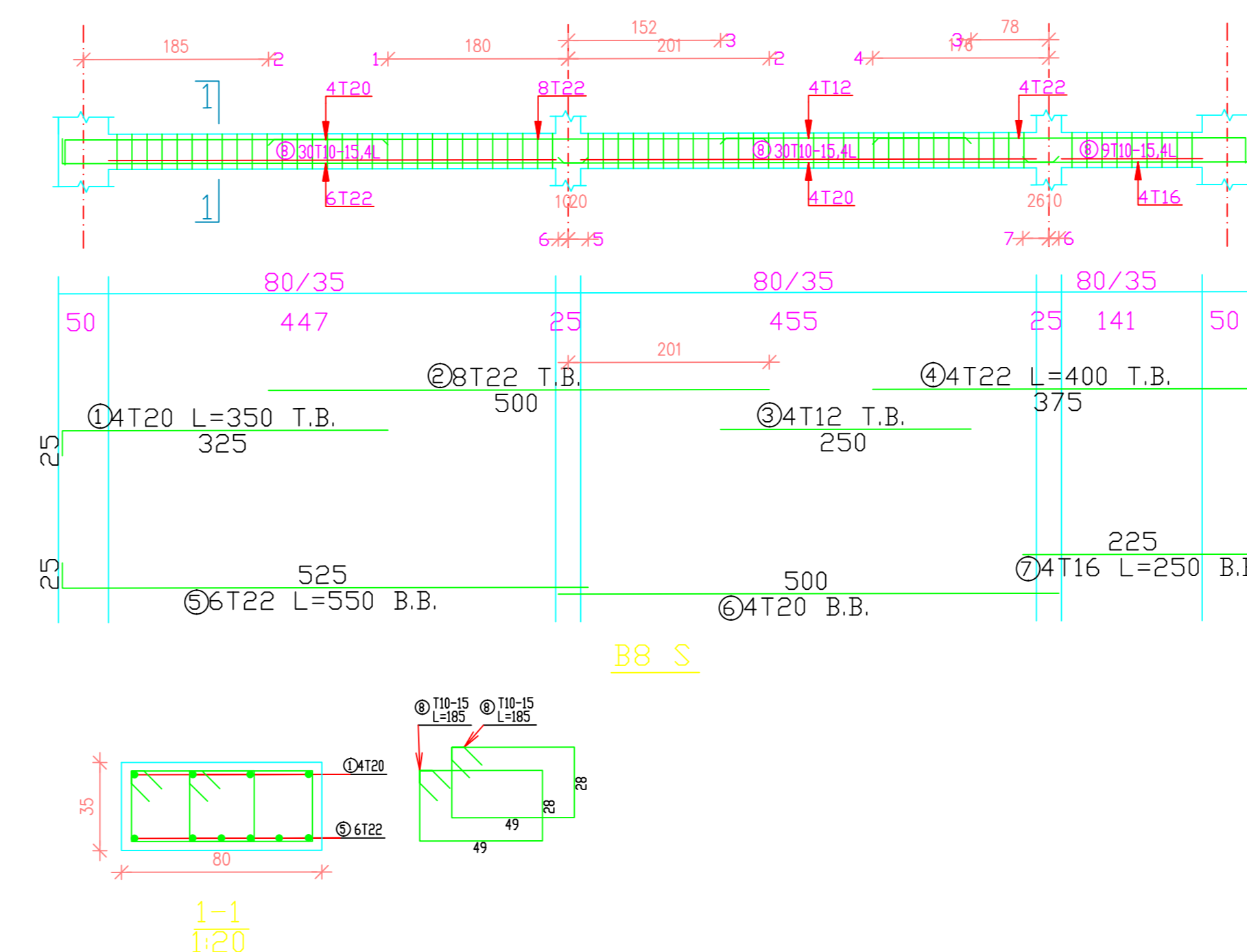
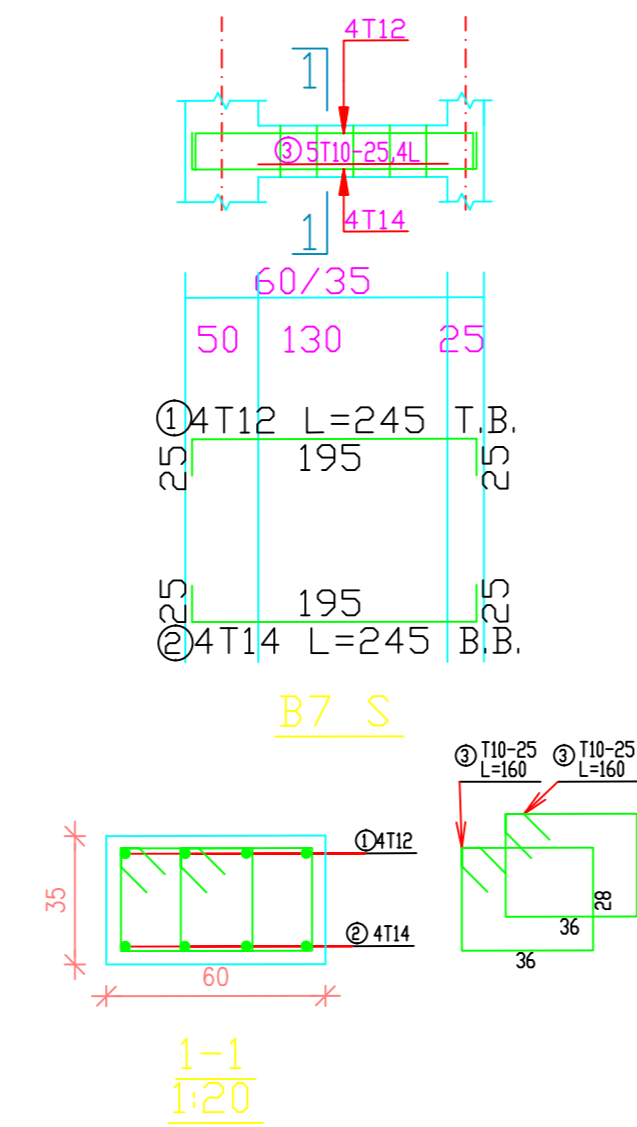
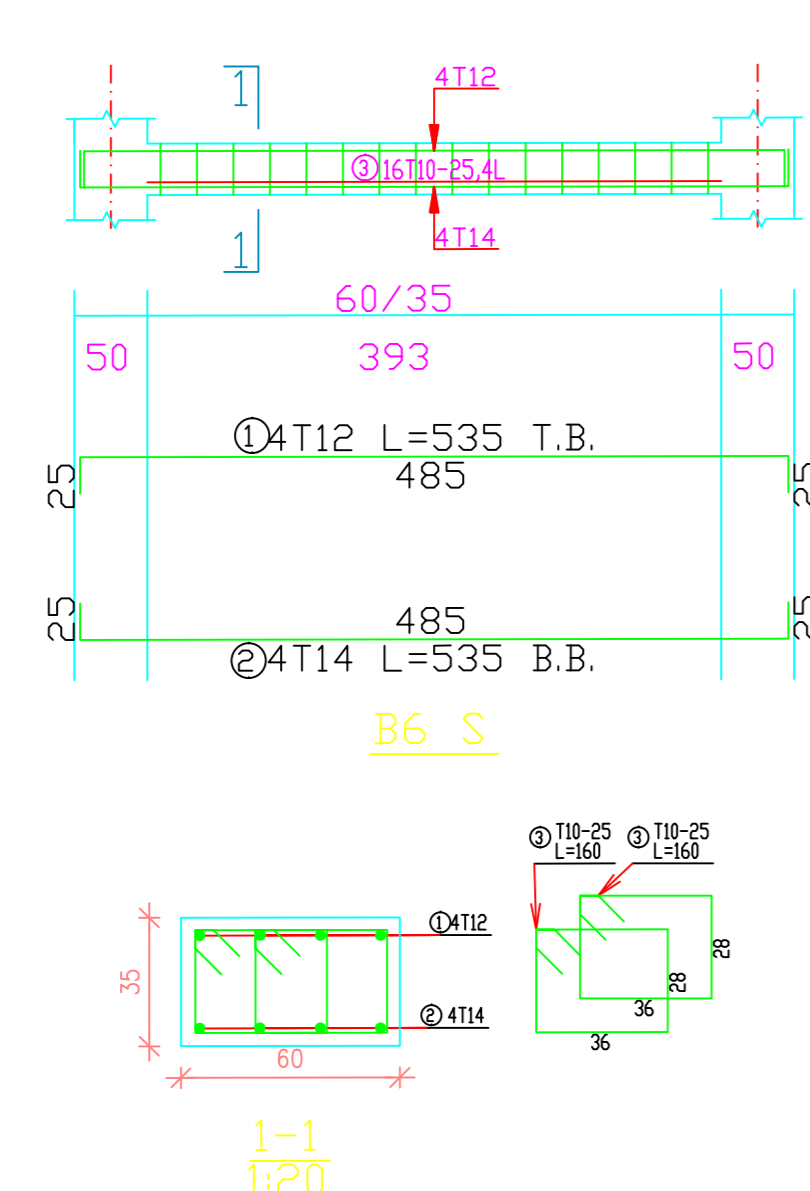
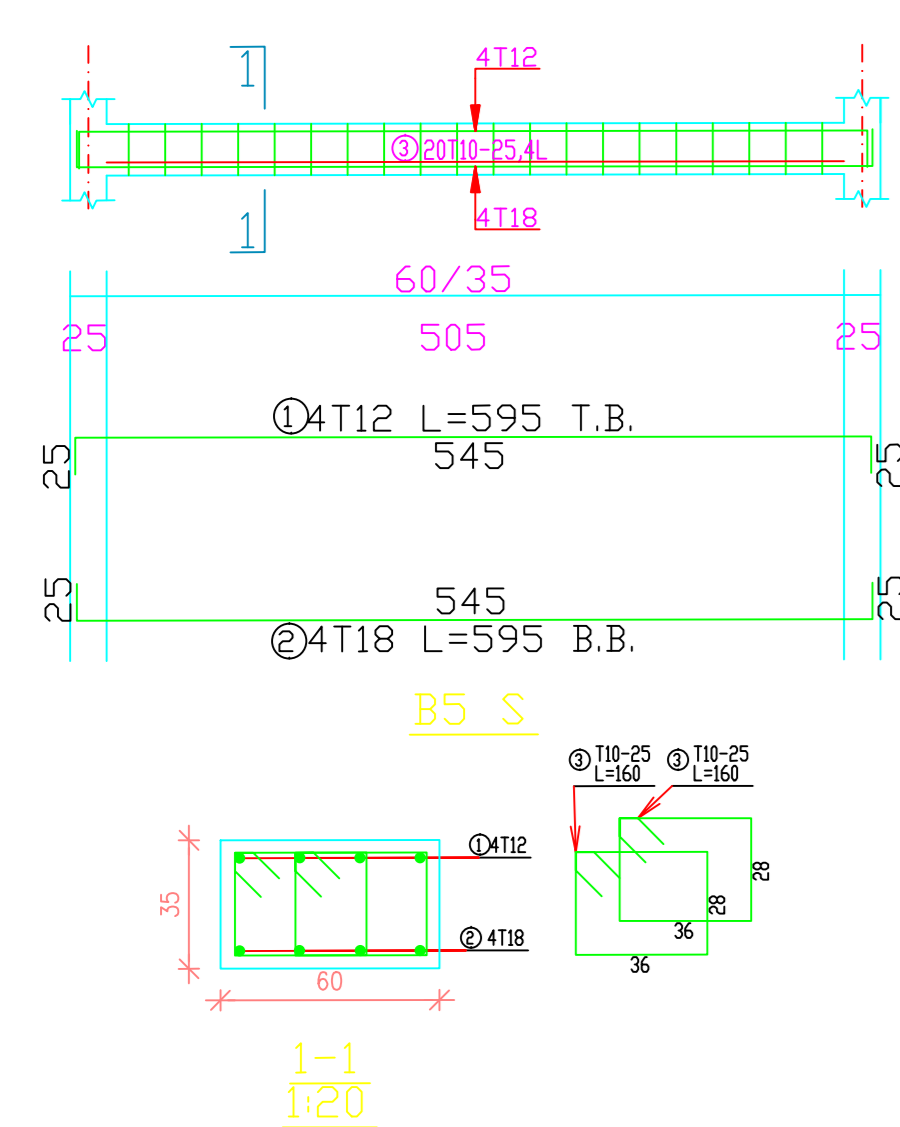
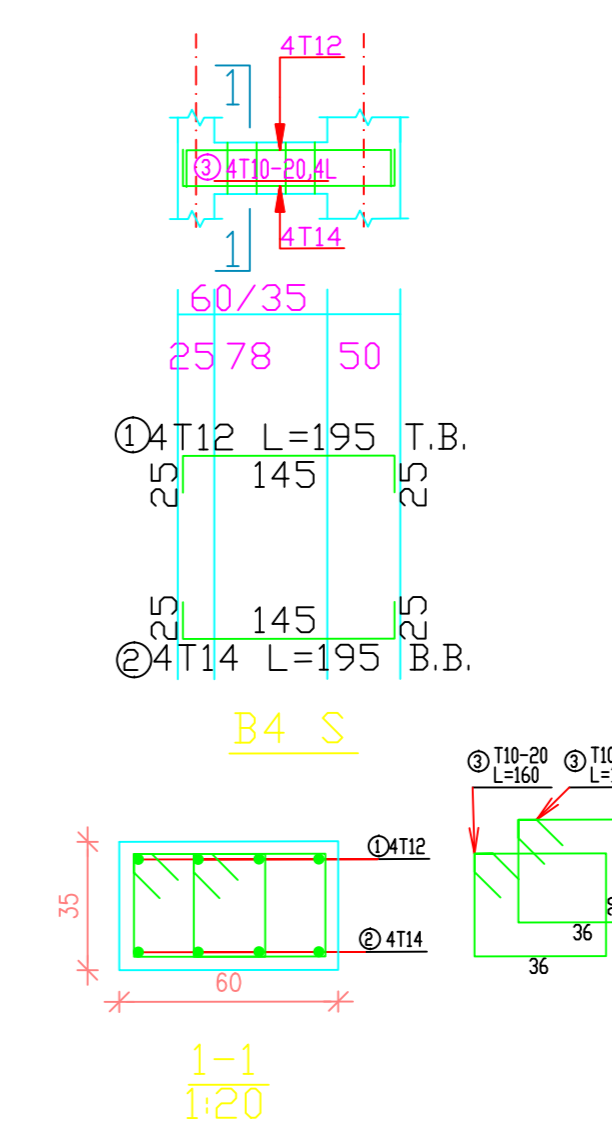
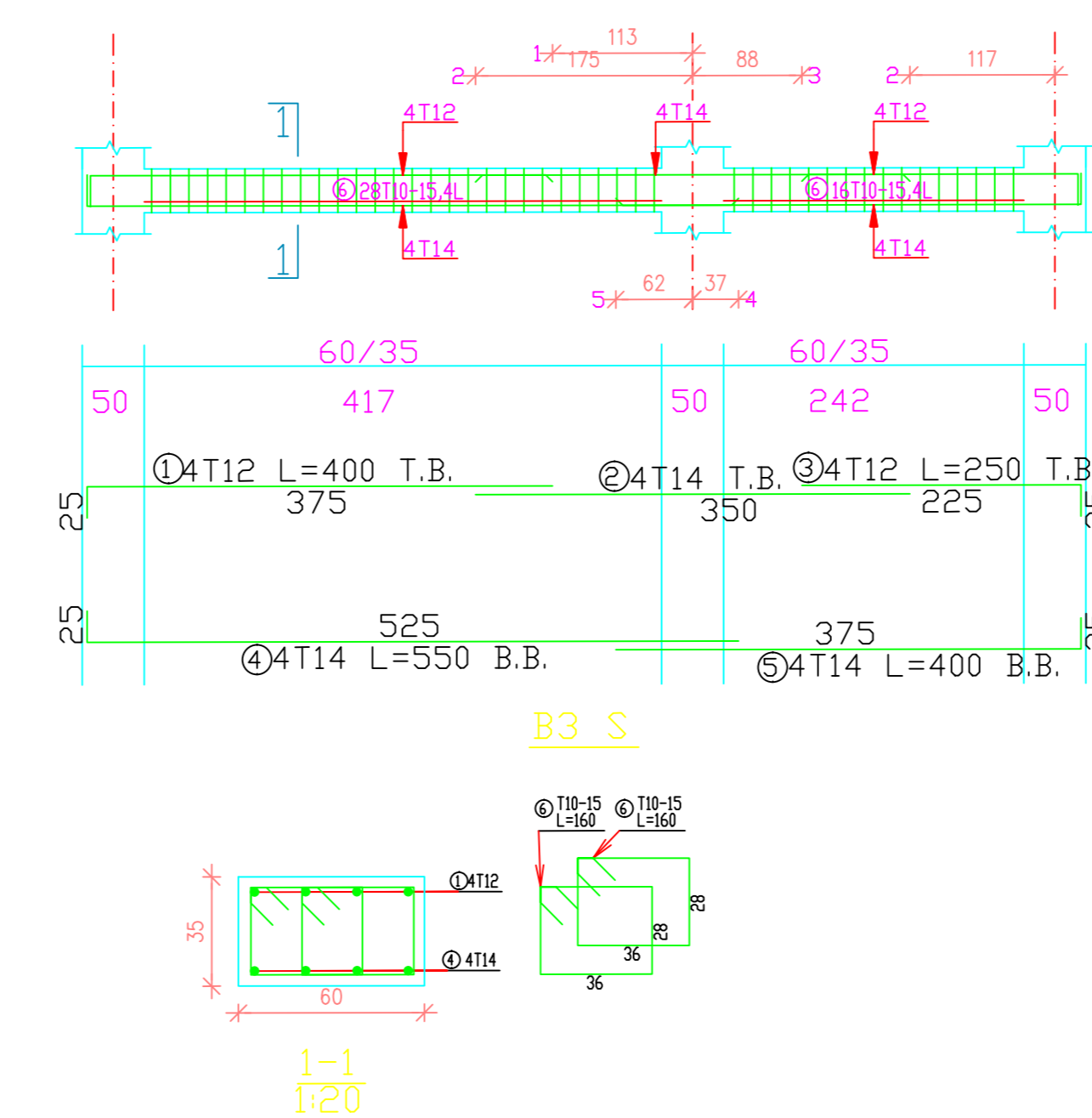
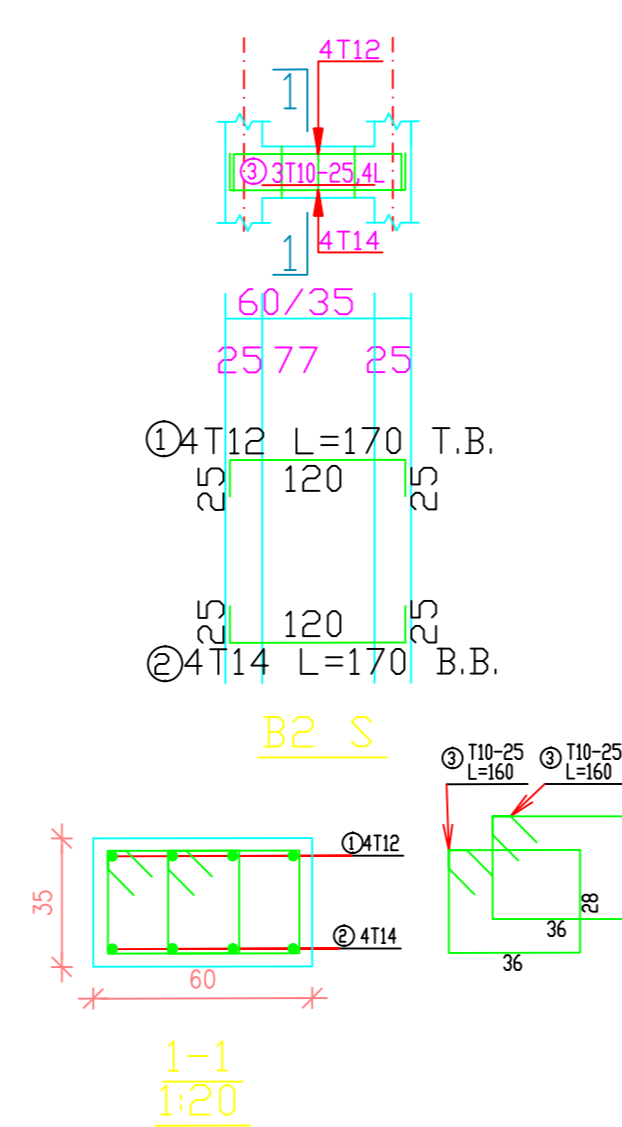
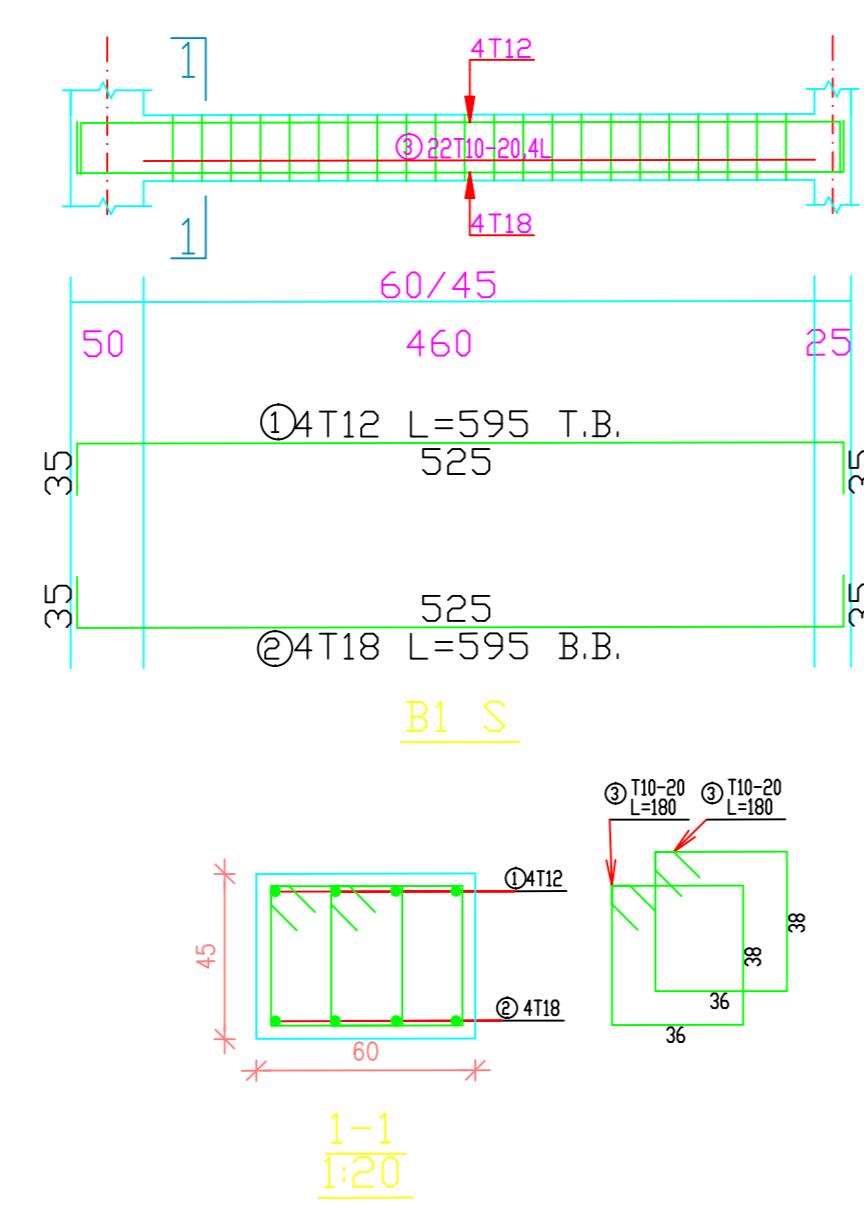
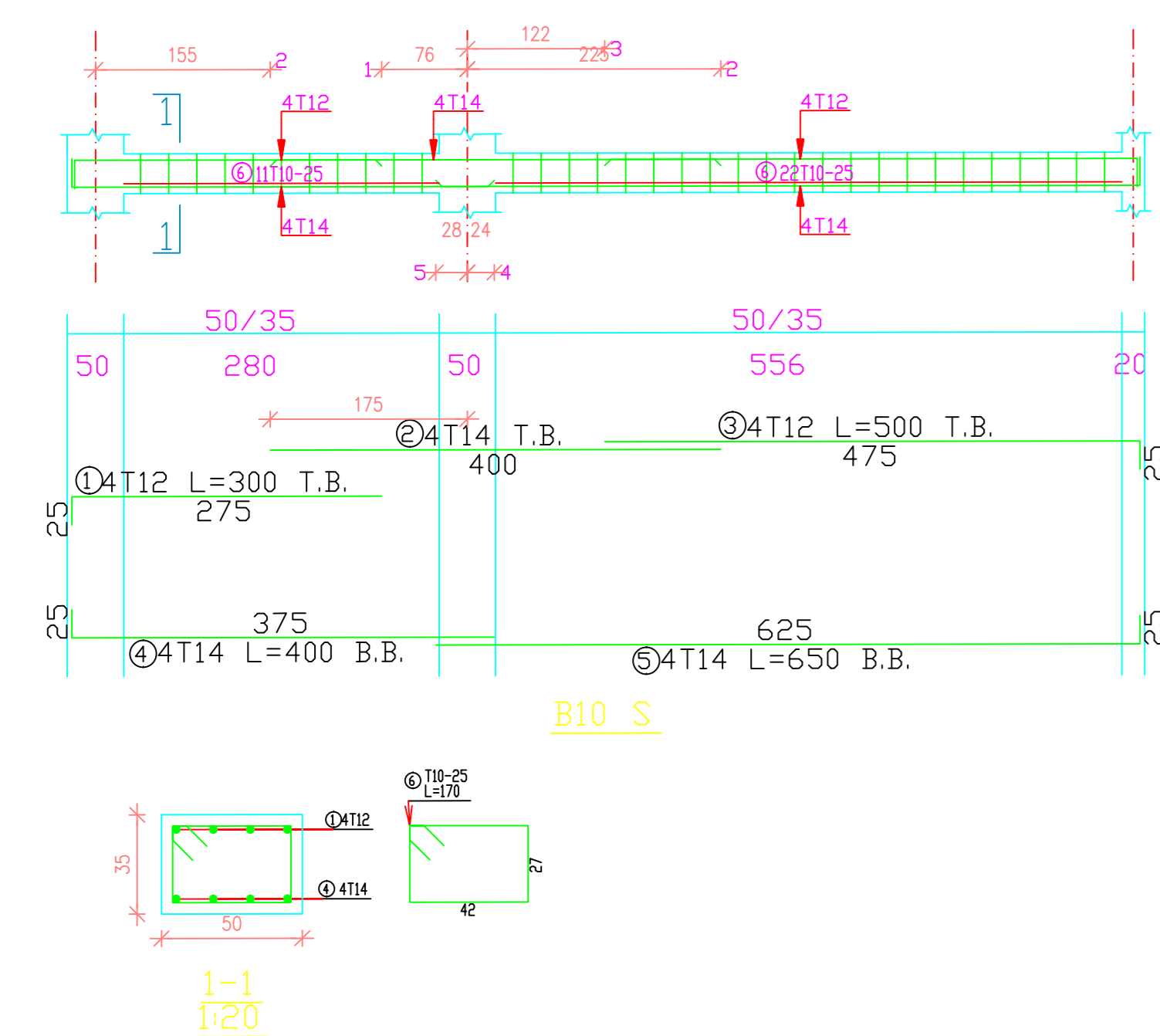
Drawing No:

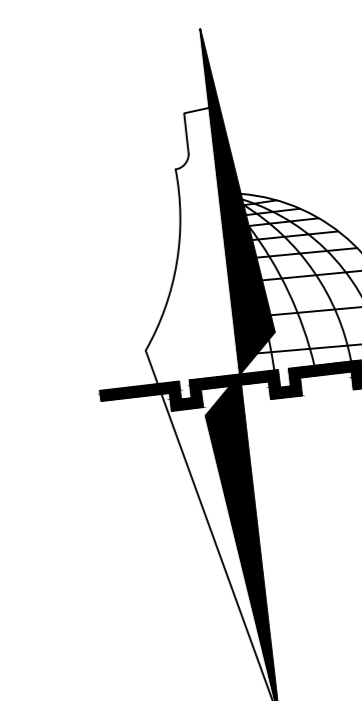
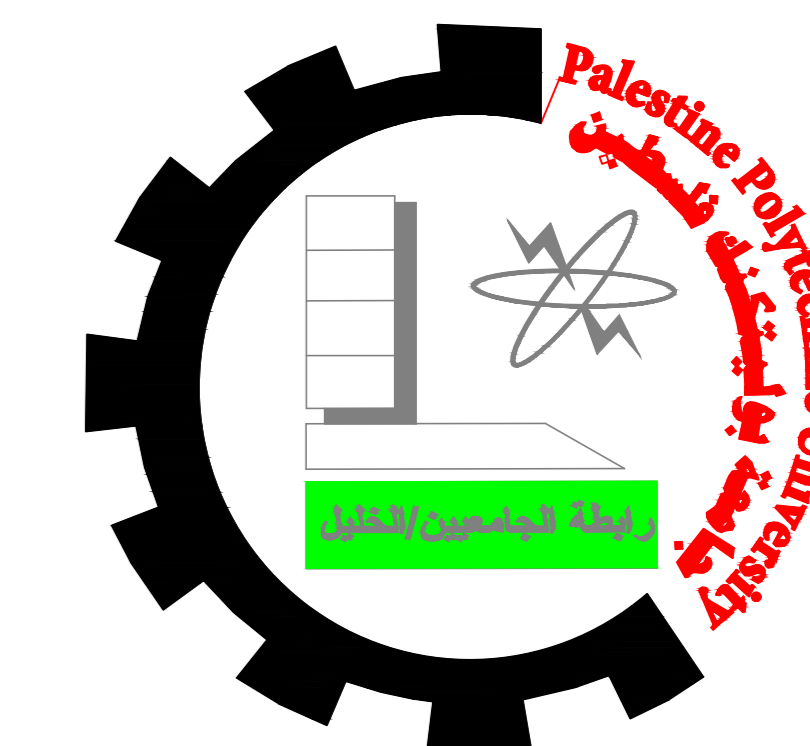
S47

Date: 2/6/2021

View scale 1/50

Cover 4 cm





N

NOTES:

All Dimensions are in meters unless otherwise shown.

All spot levels are in meters.

Palestine Polytechnic University
Civil. & Arch. Eng. Department

Building Engineering

Project :

Residential Commercial Building

Designed By :

Feras Abo-Aljaysh
Noor Beiwat
Anas Jobran

Supervisor :

Eng. Mai Haddad

Drawing Title :

Beams Details

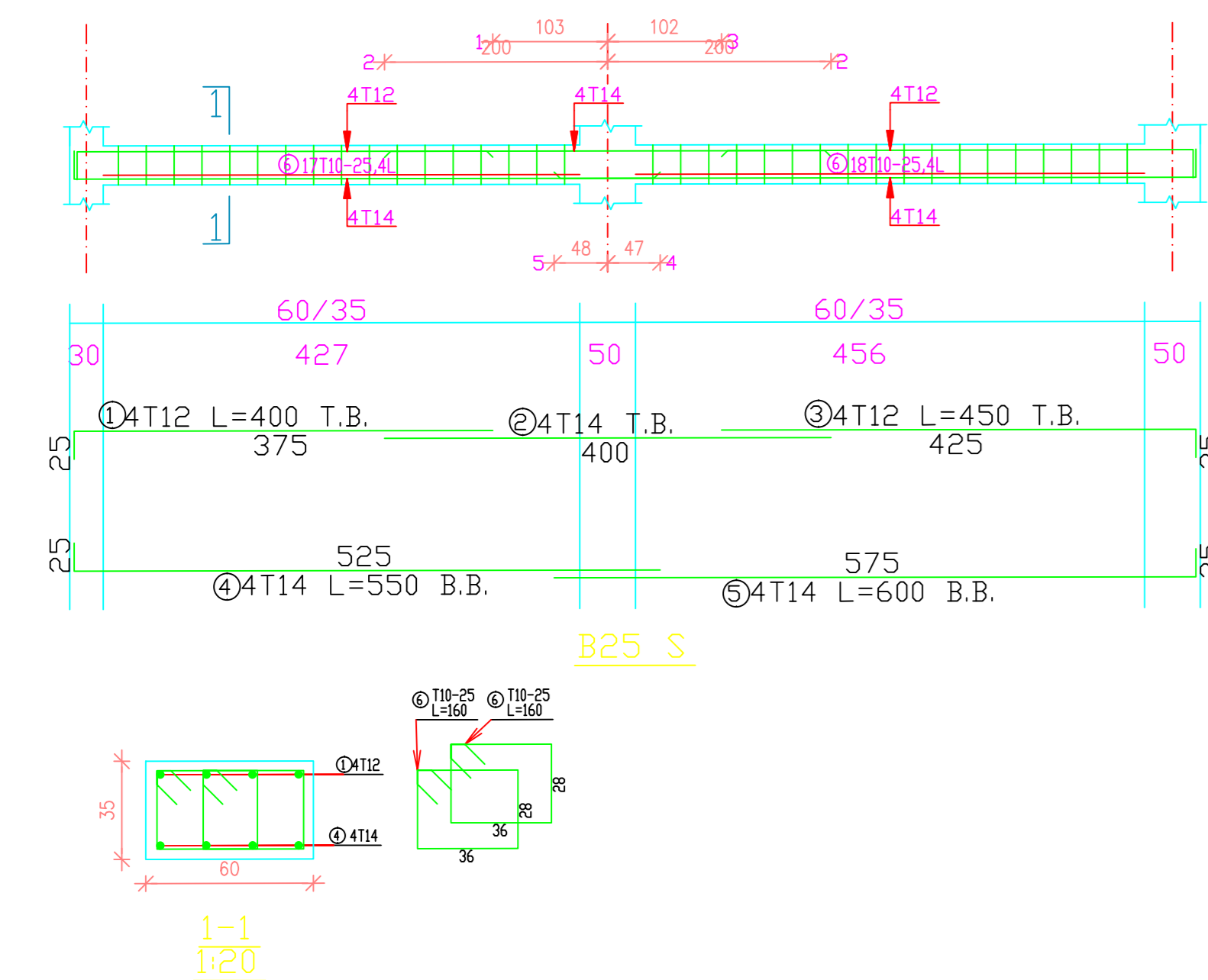
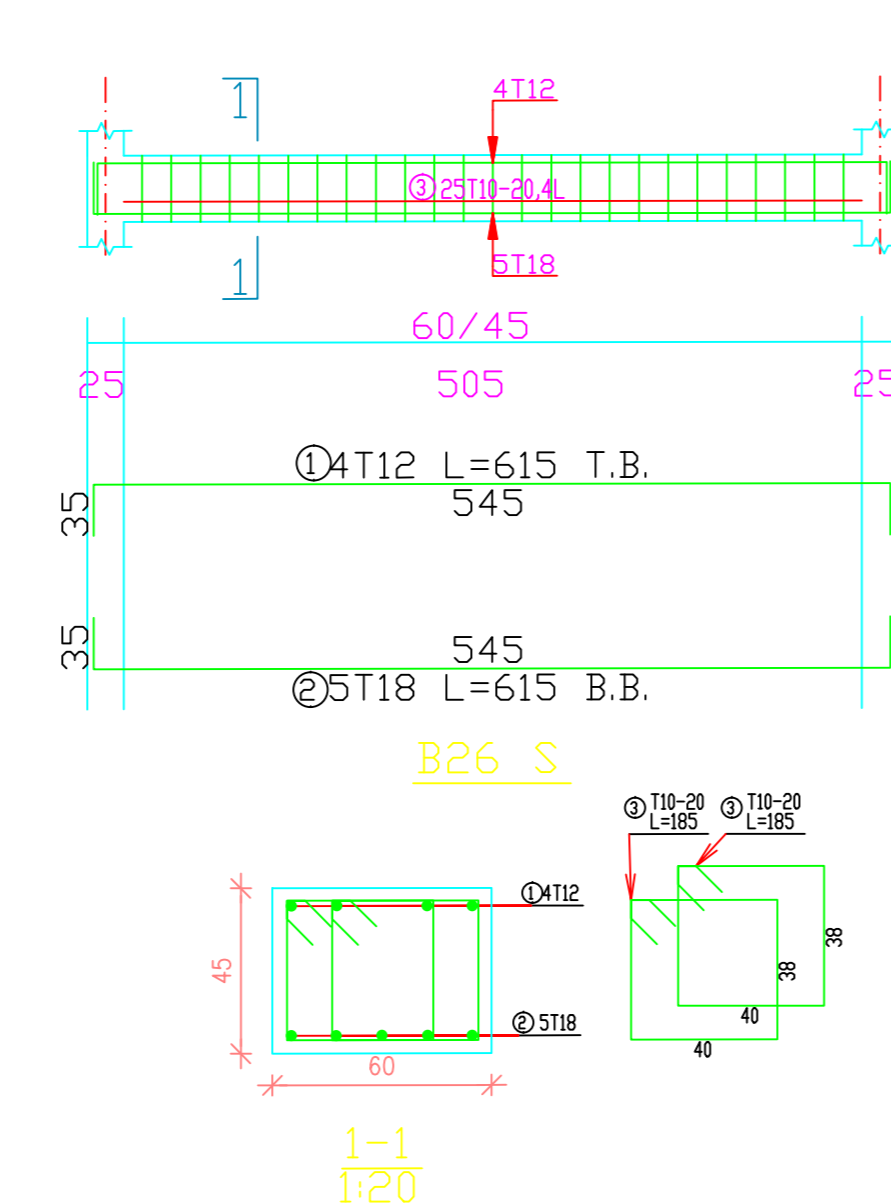
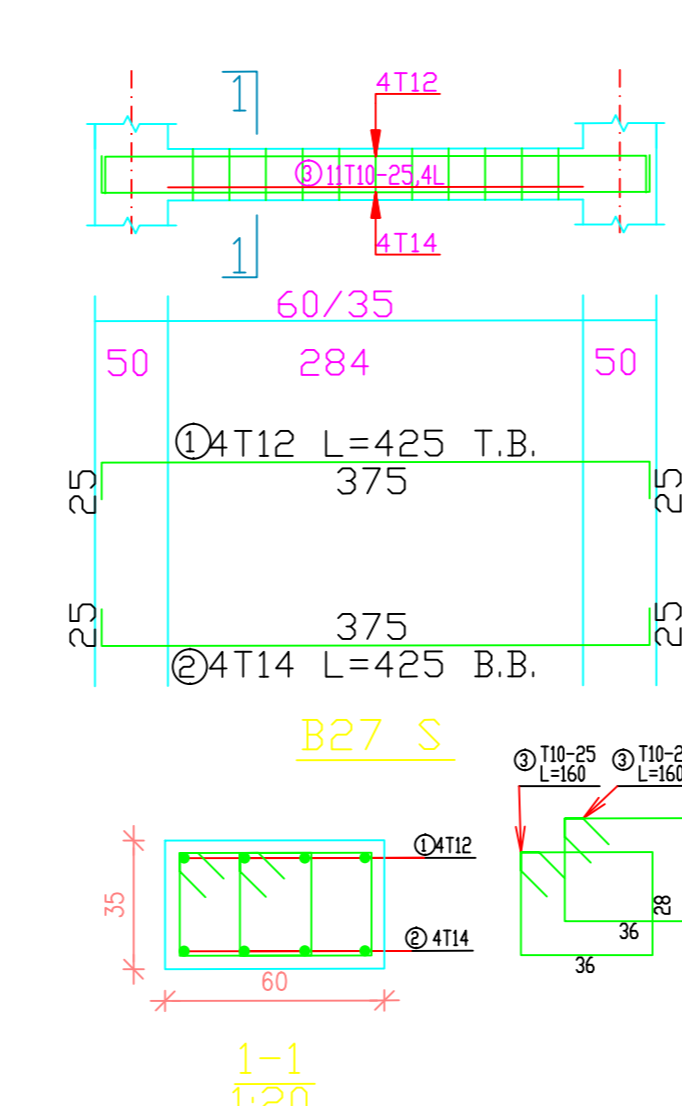
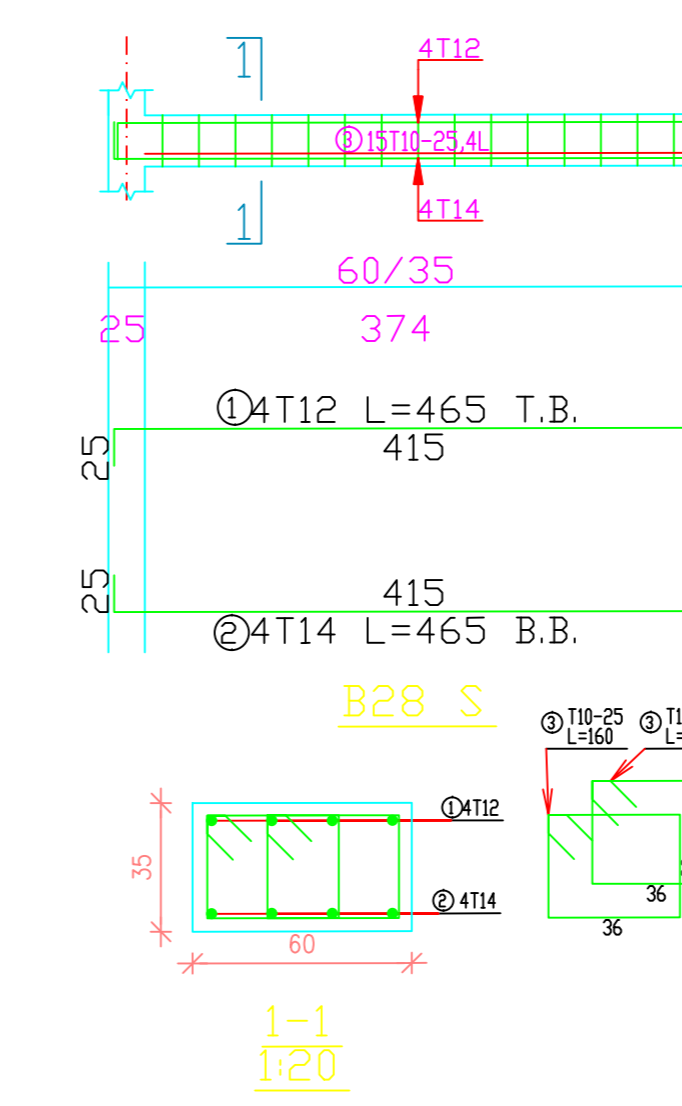
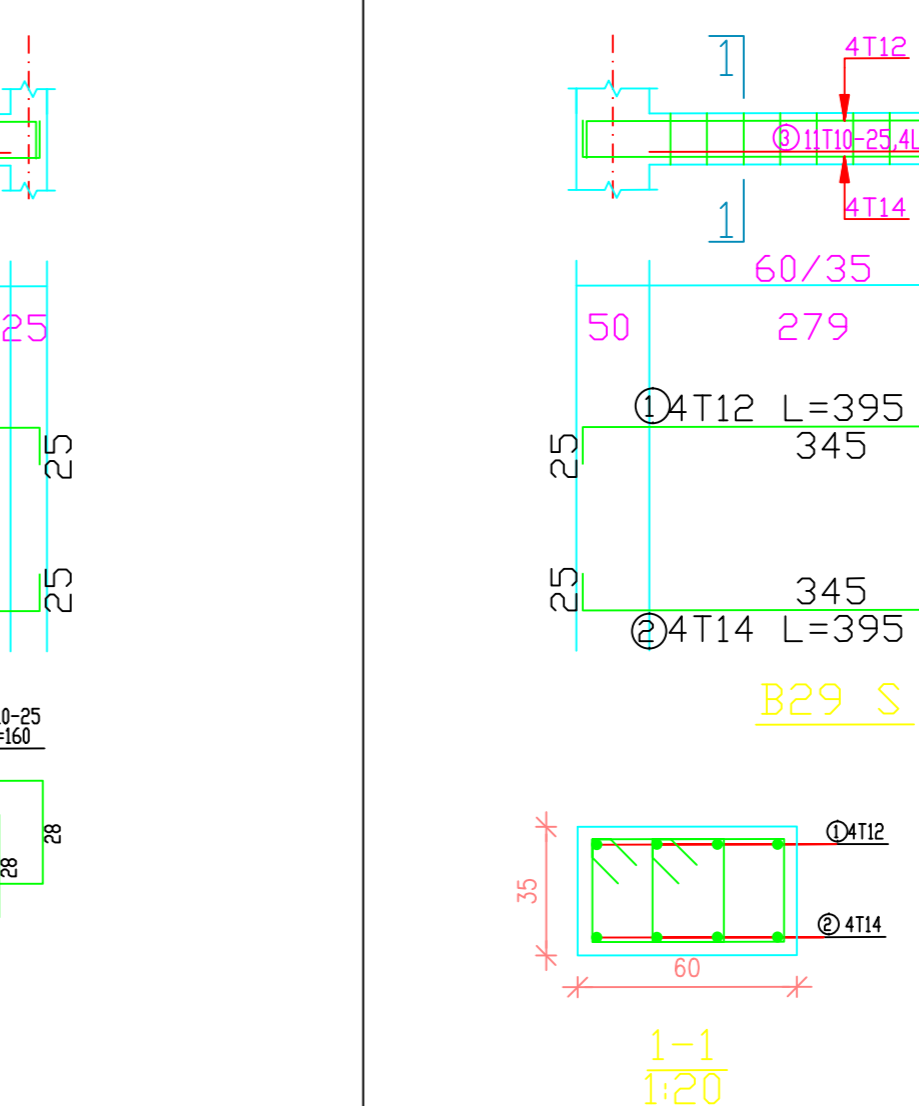
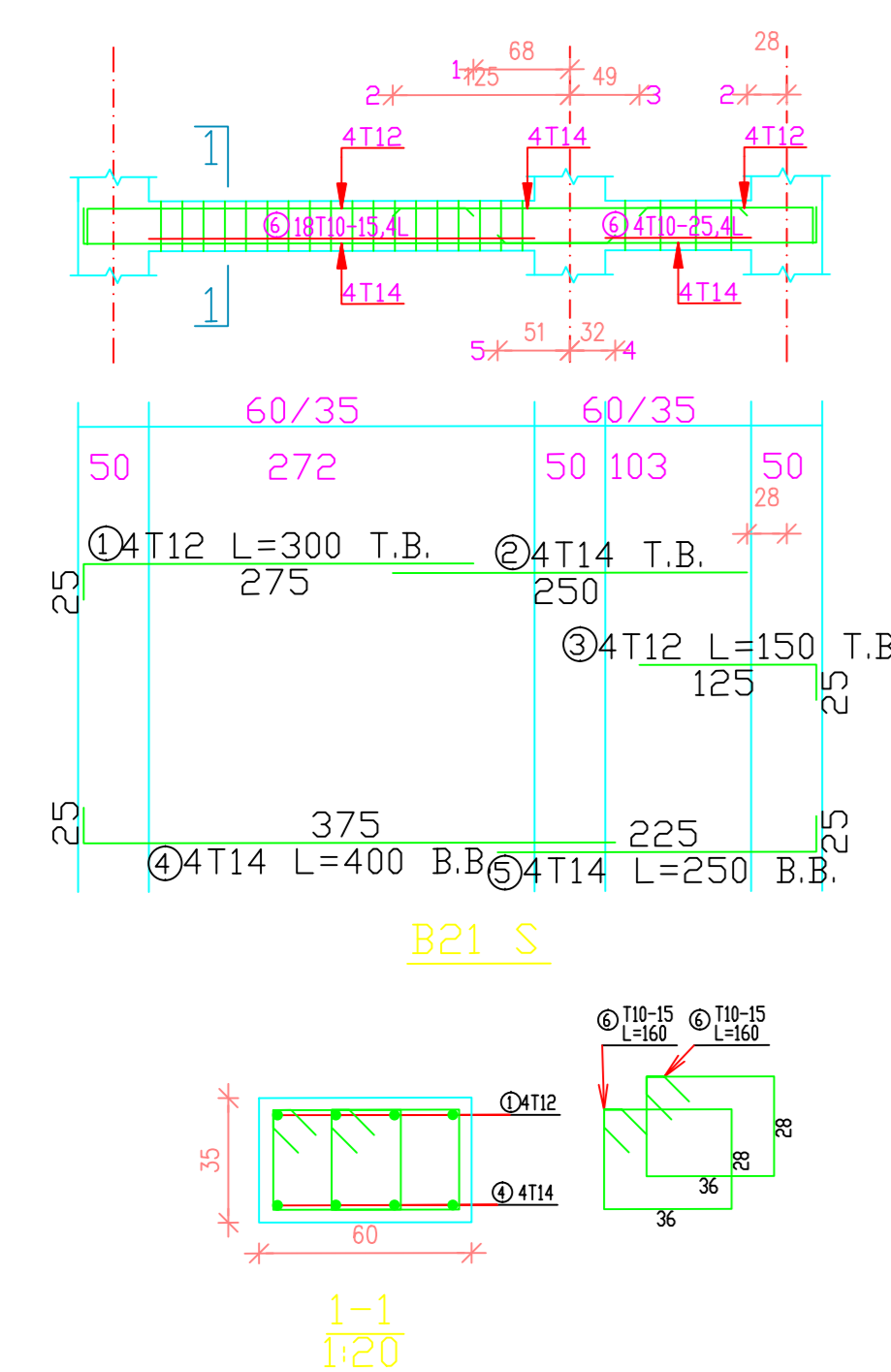
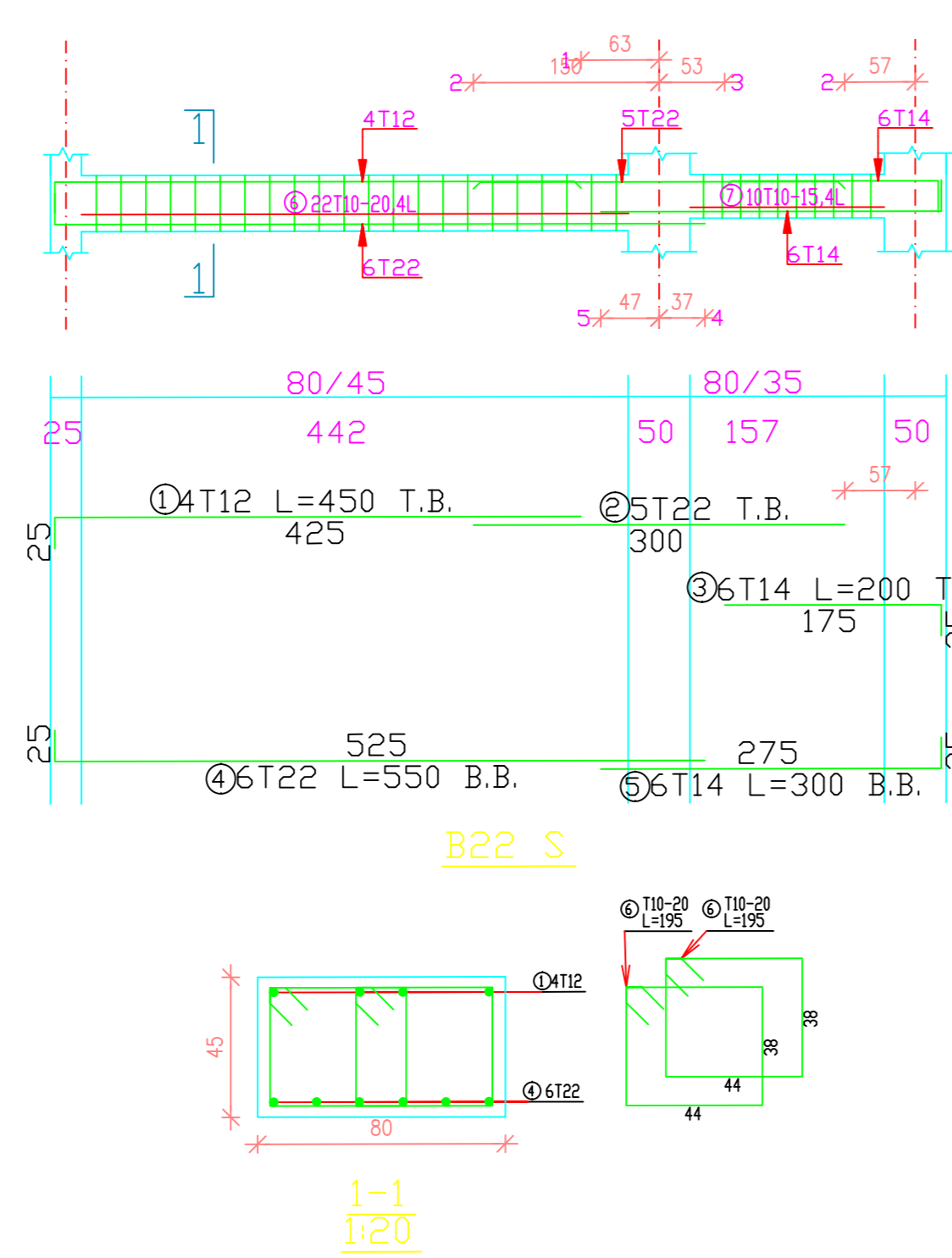
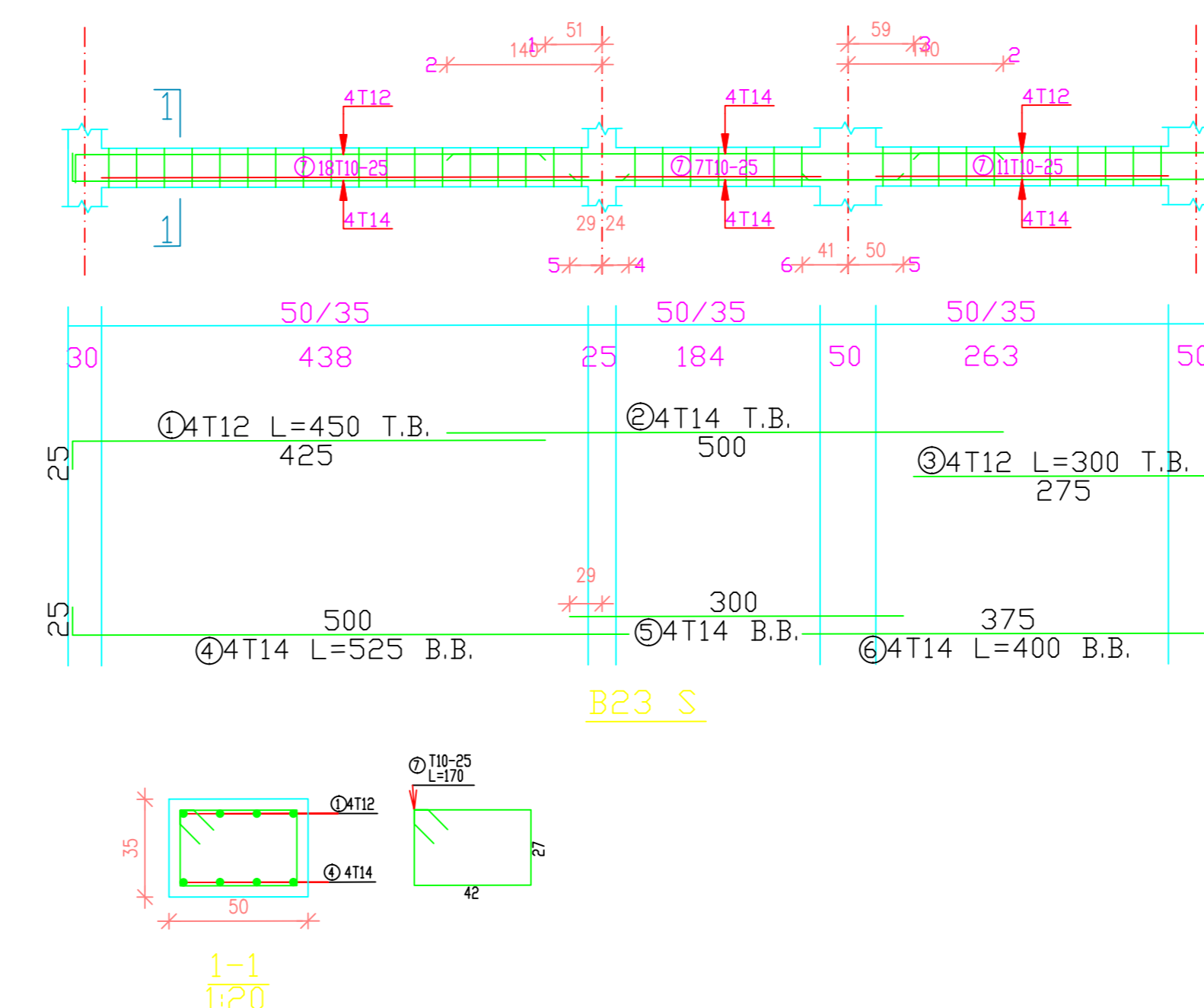
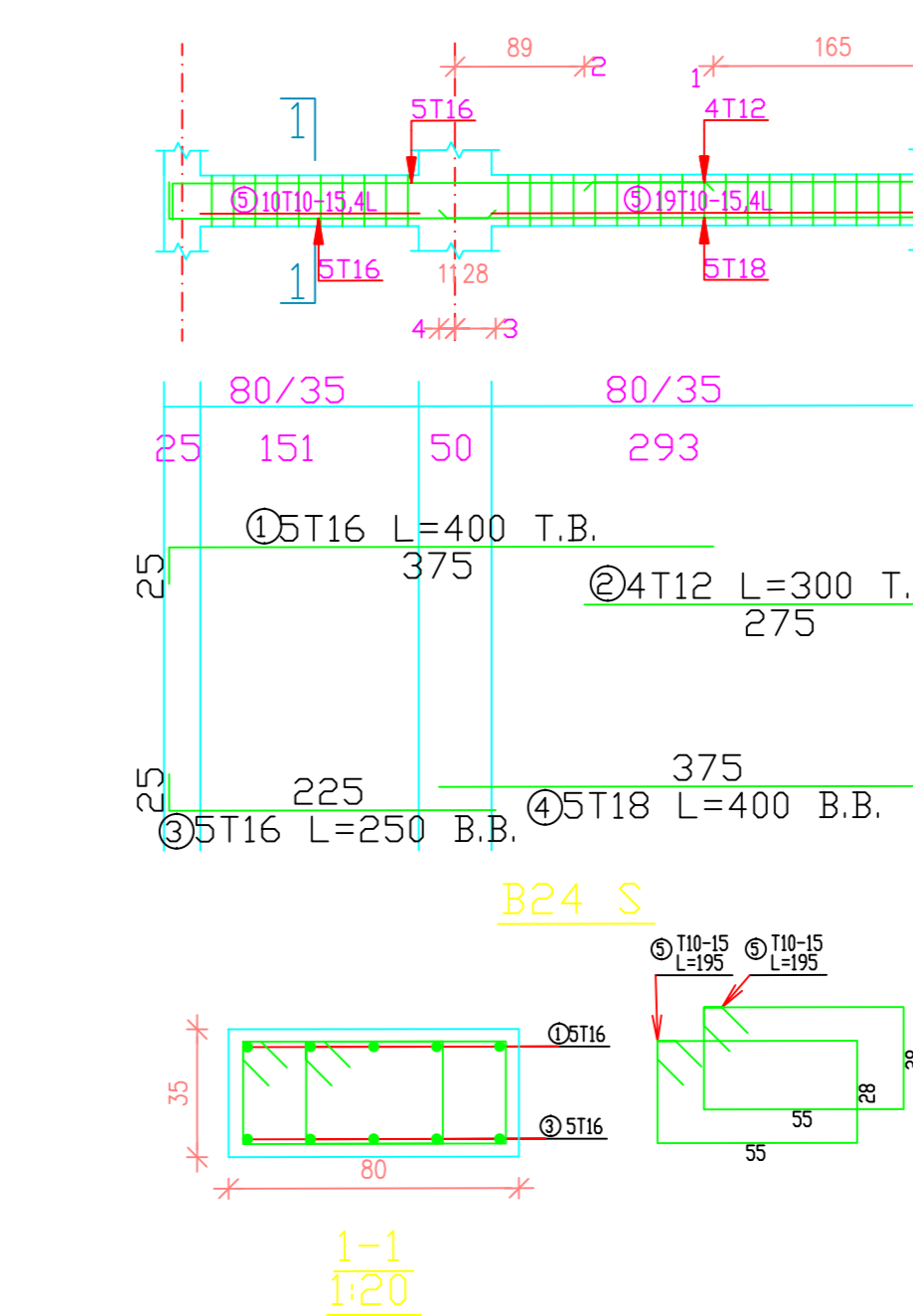
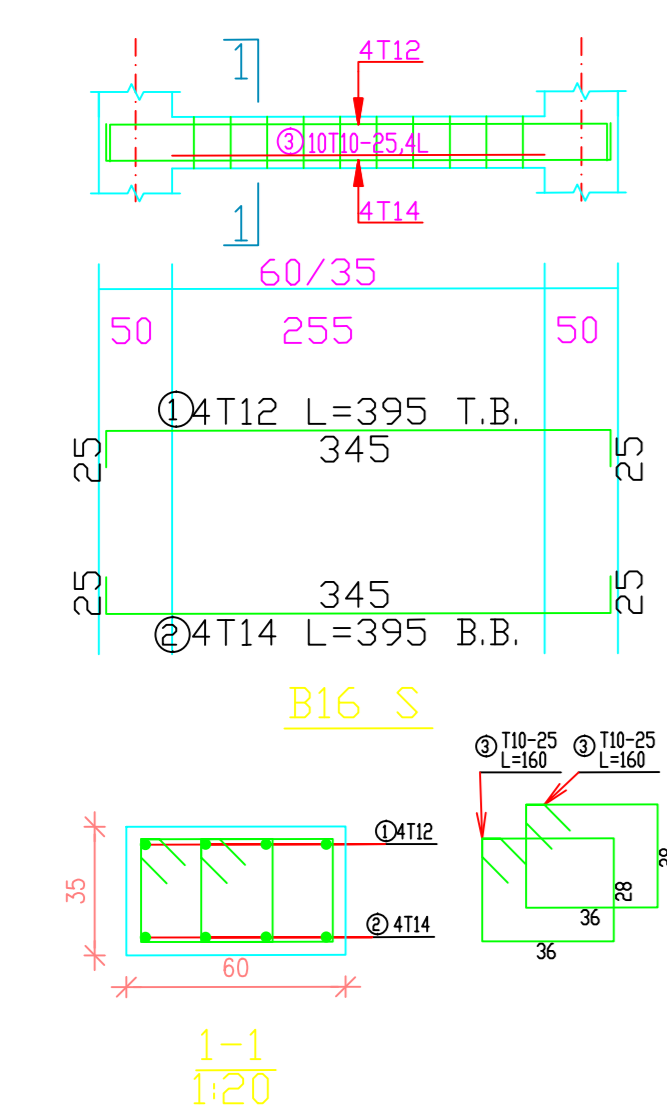
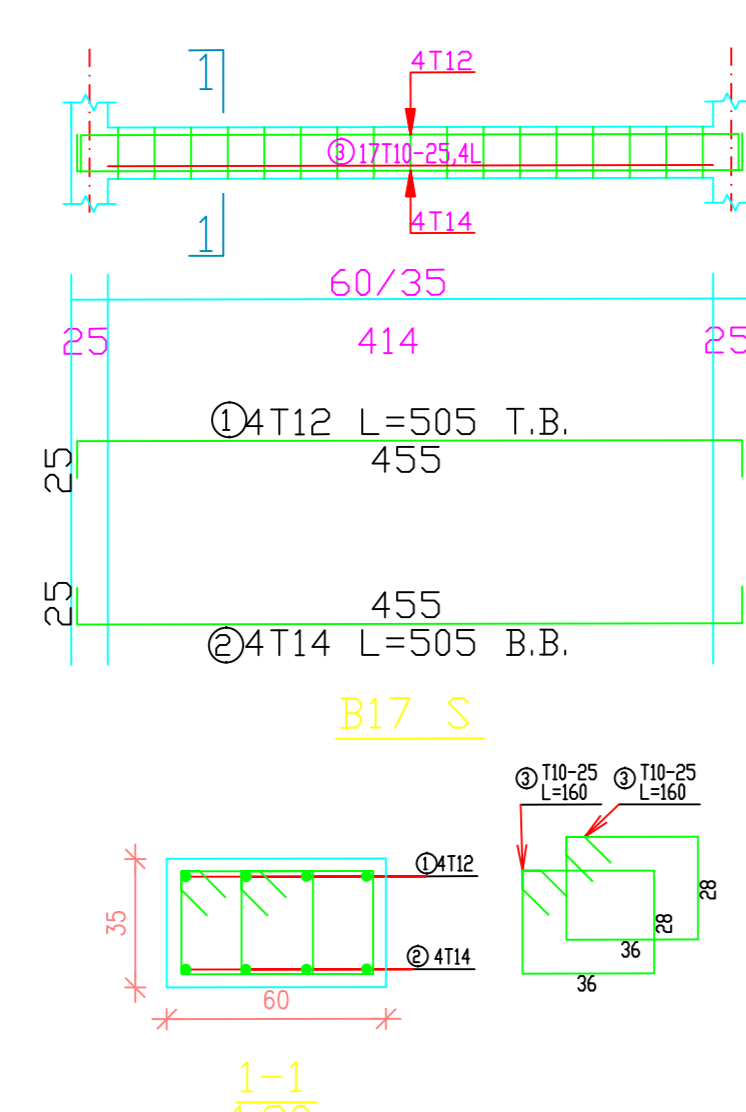
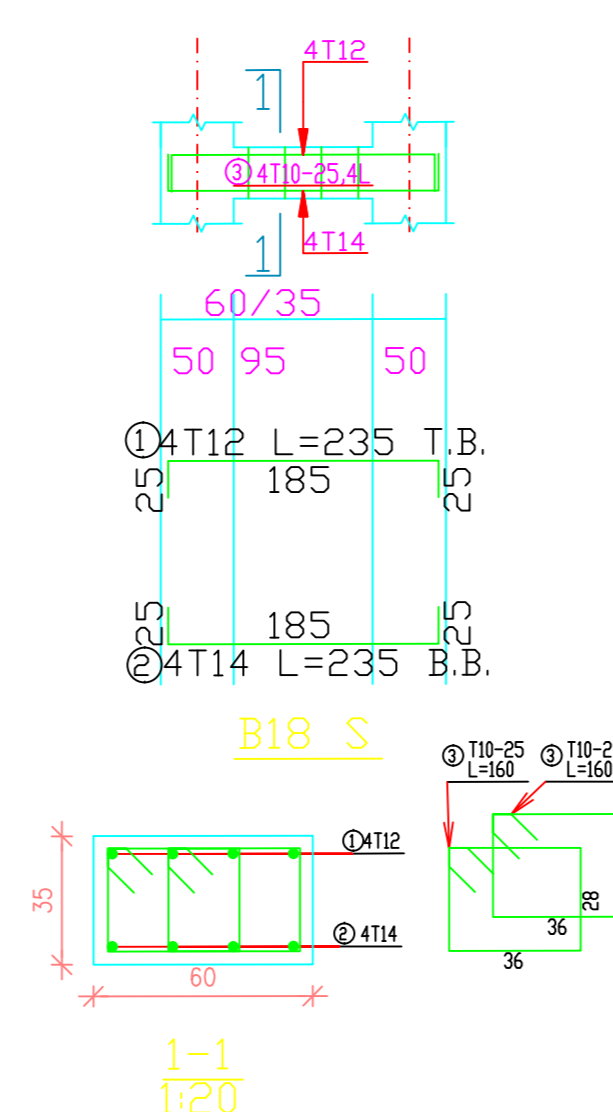
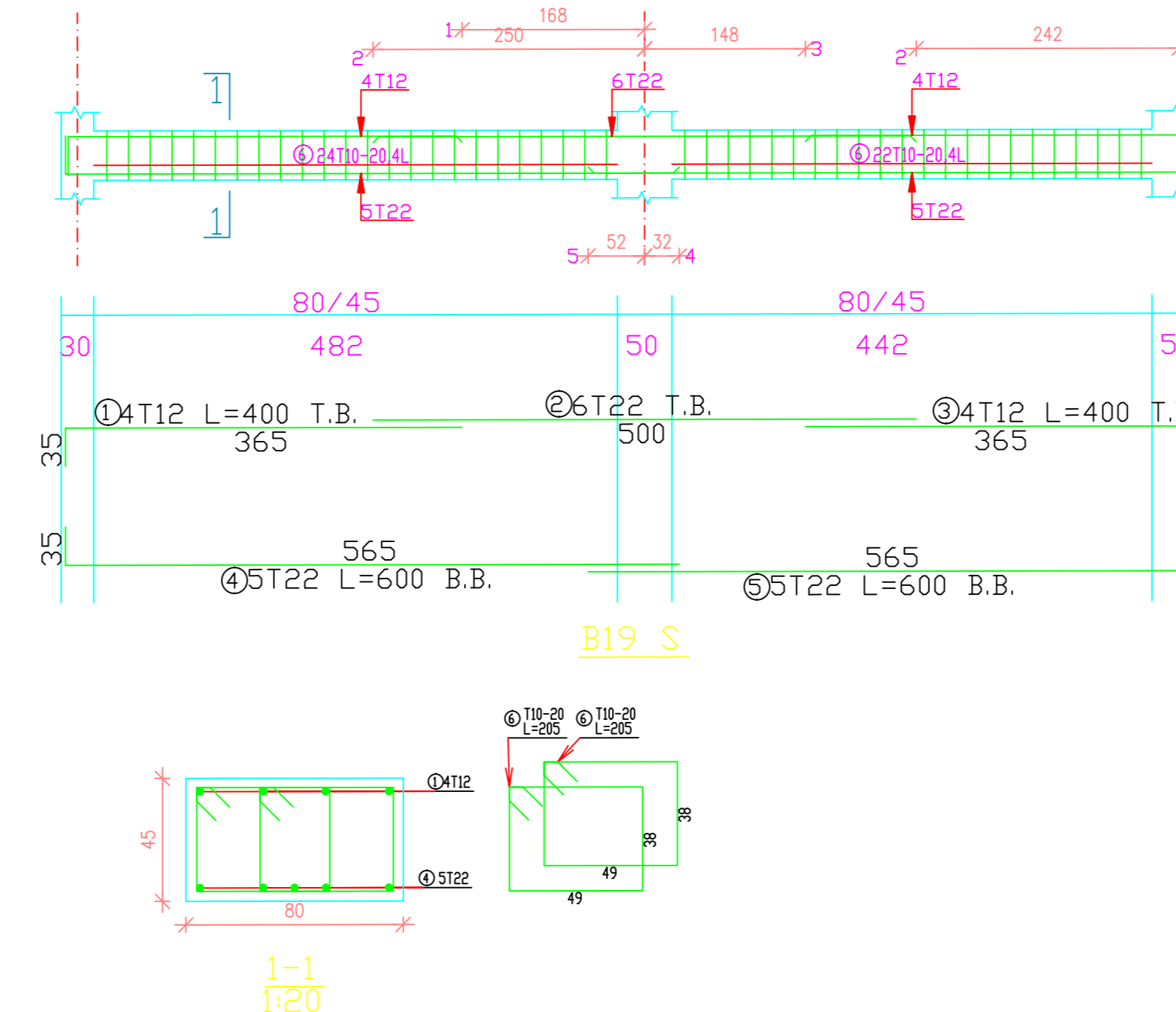
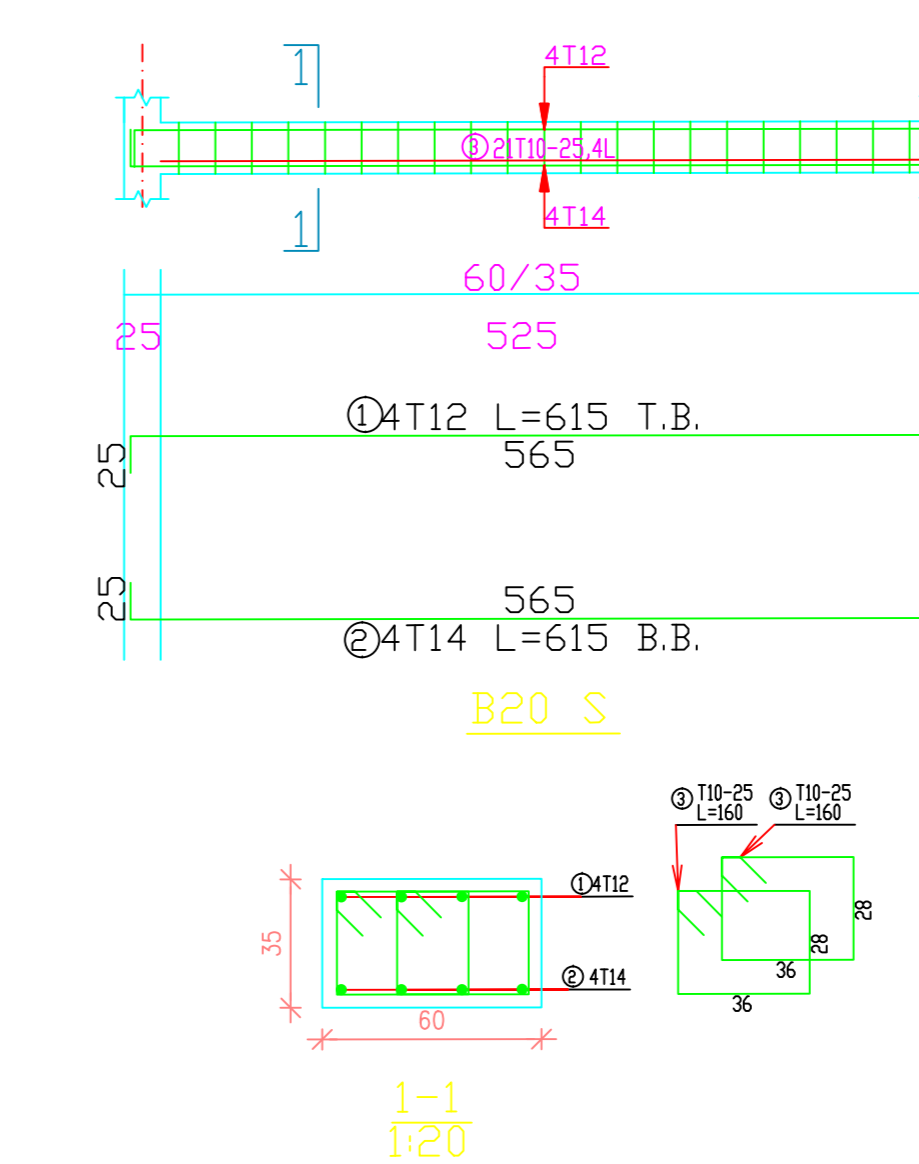
Drawing No :

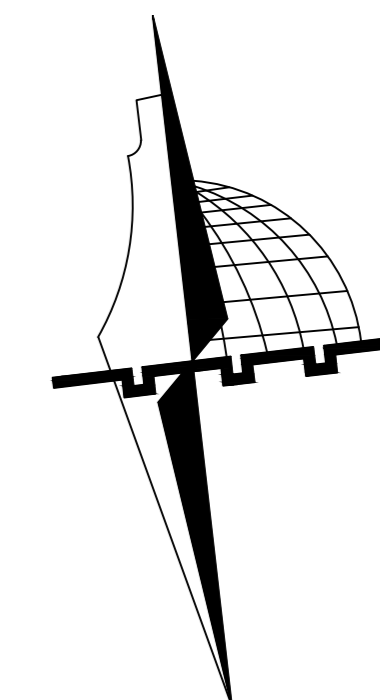
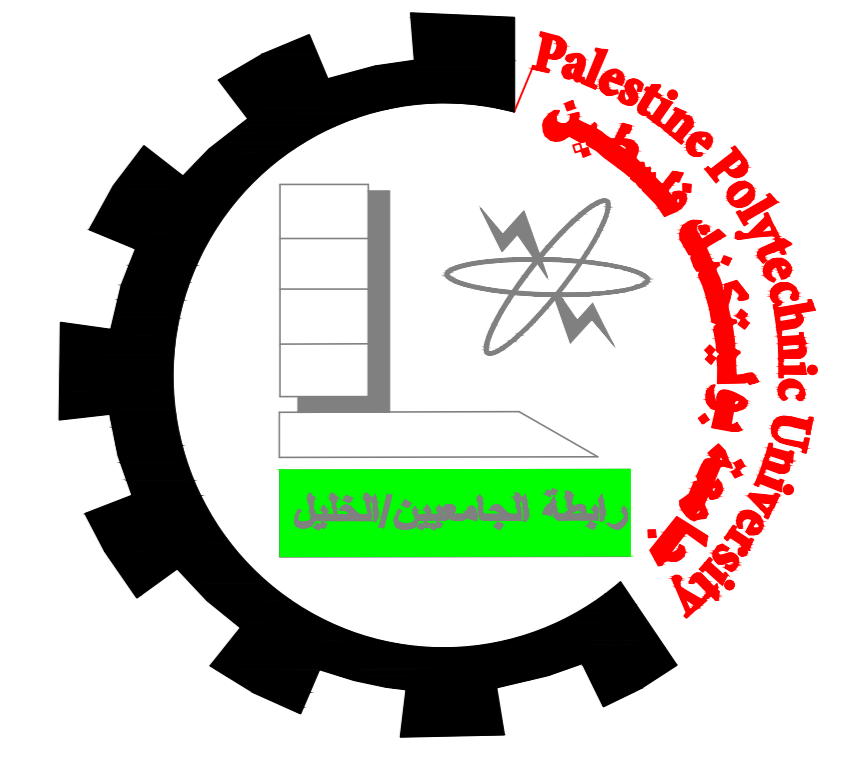
S 48

Date : 2/6/2021

View scale 1/50

Cover 4 cm





NOTES:

All Dimensions are in meters unless otherwise shown.
All spot levels are in meters.

Palestine Polytechnic University
Civil. & Arch. Eng. Department
Building Engineering

Project:

Residential Commercial Building

Designed By:

Feras Abo-Aljraysh
Noor Beiwat
Anas Jobran

Supervisor:

Eng. Mai Haddad

Drawing Title:

Beams Details

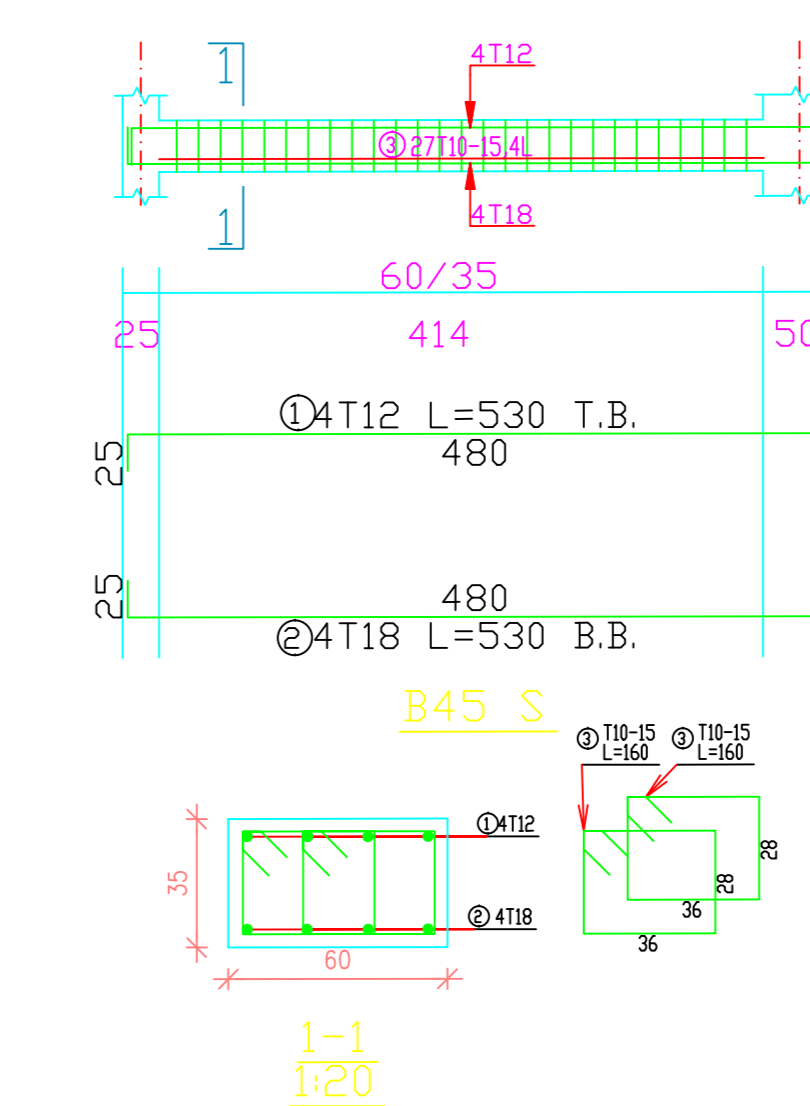
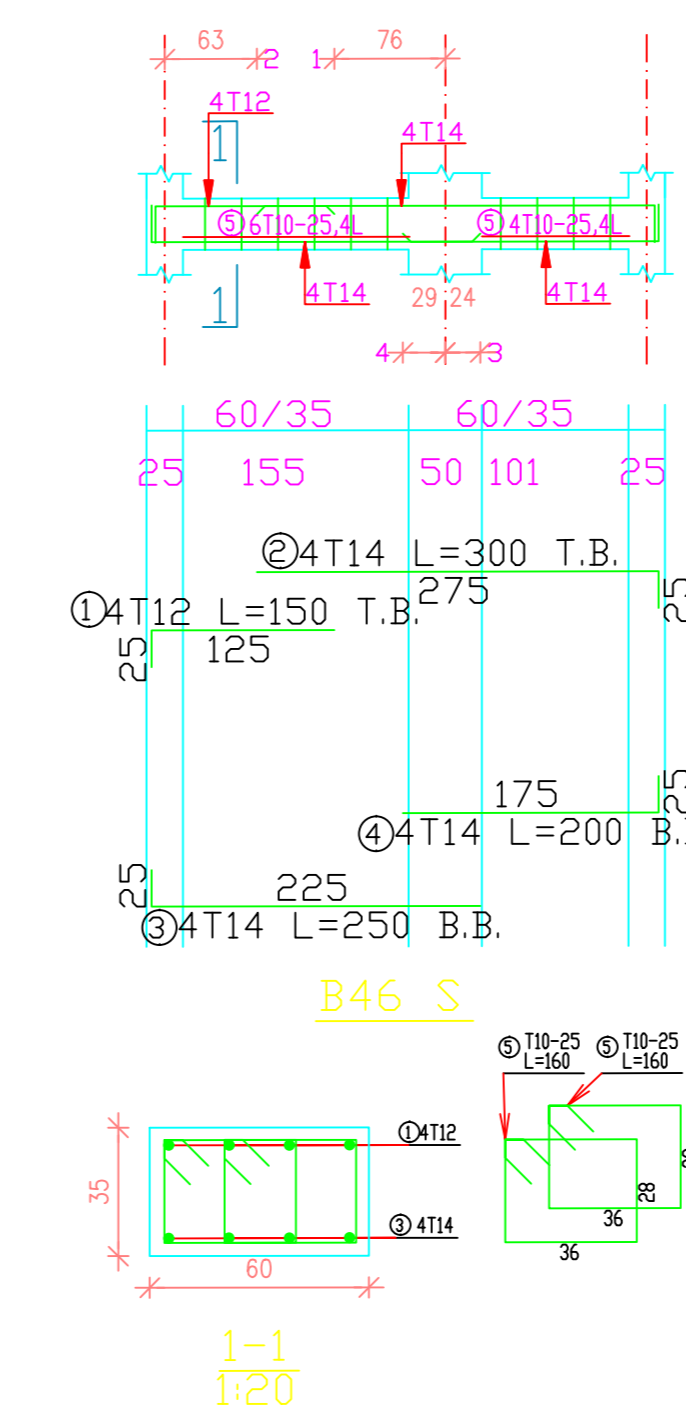
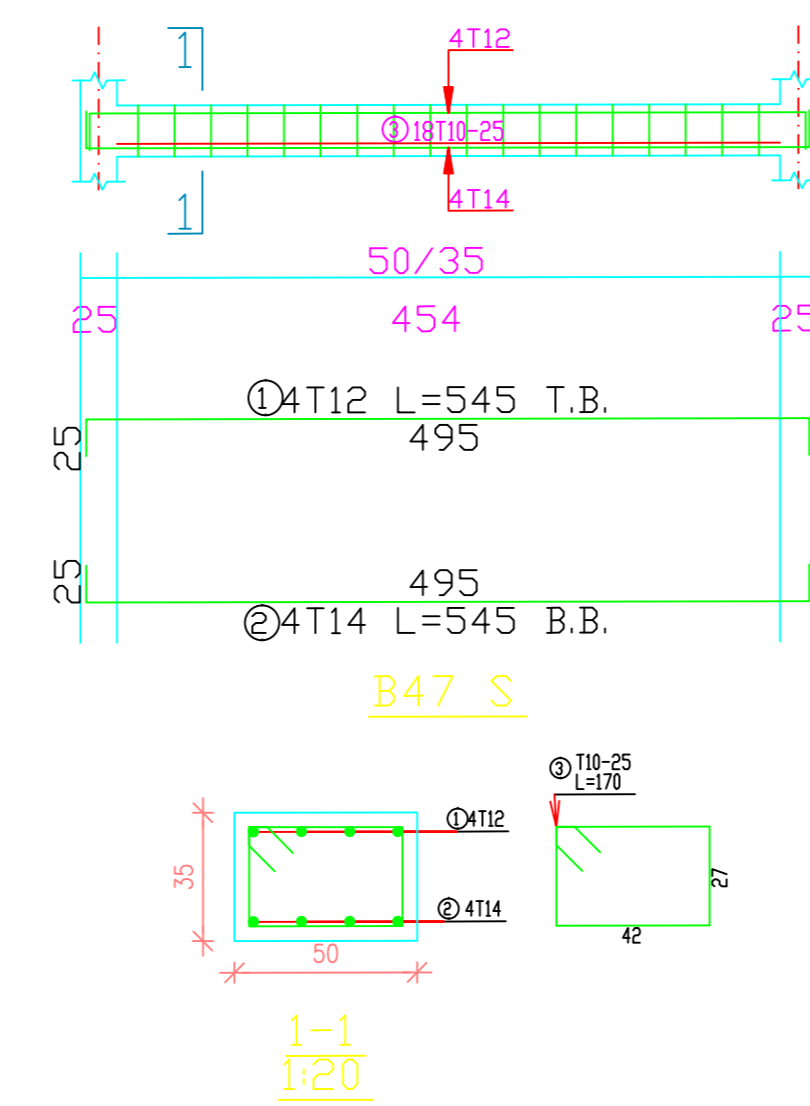
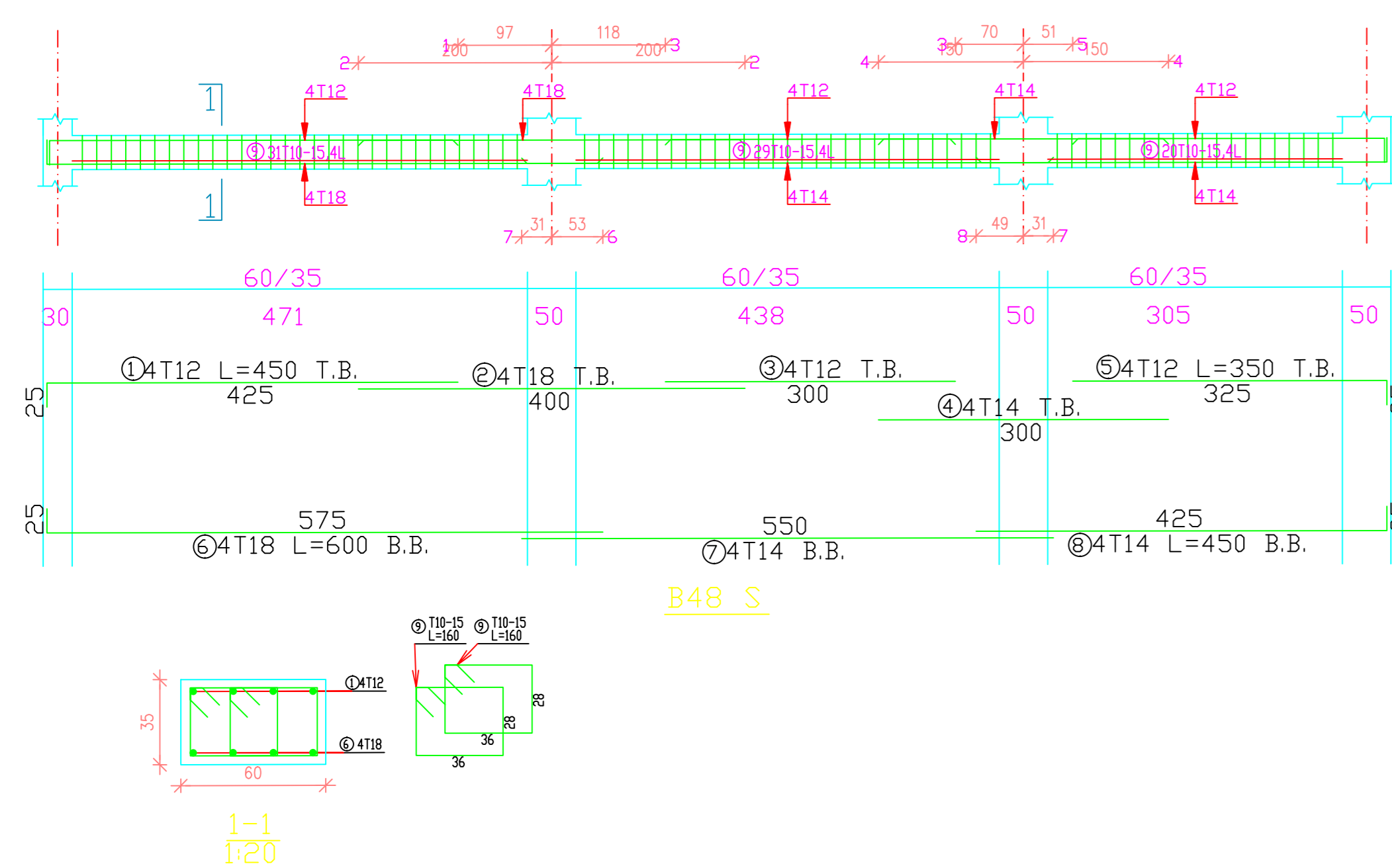
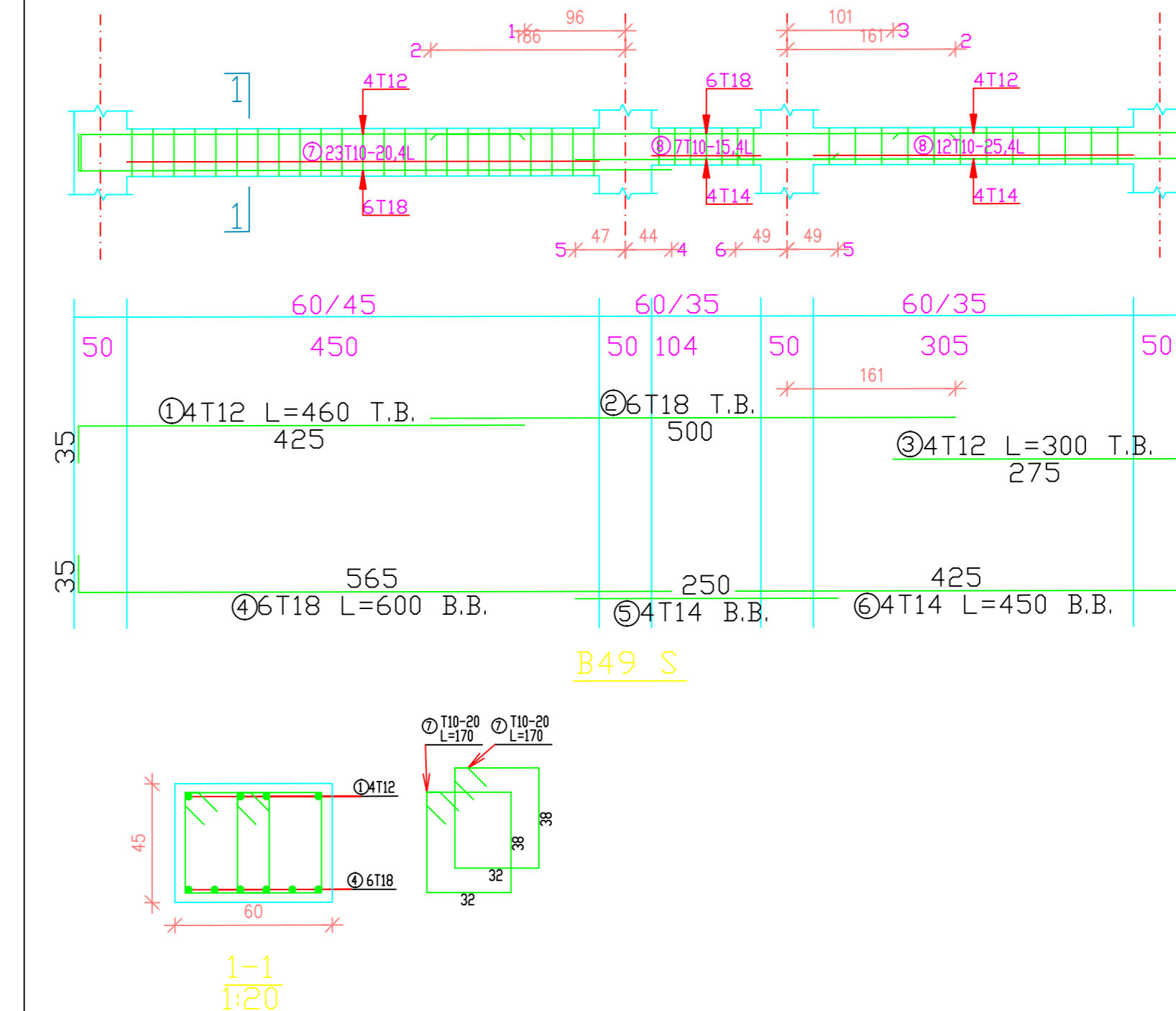
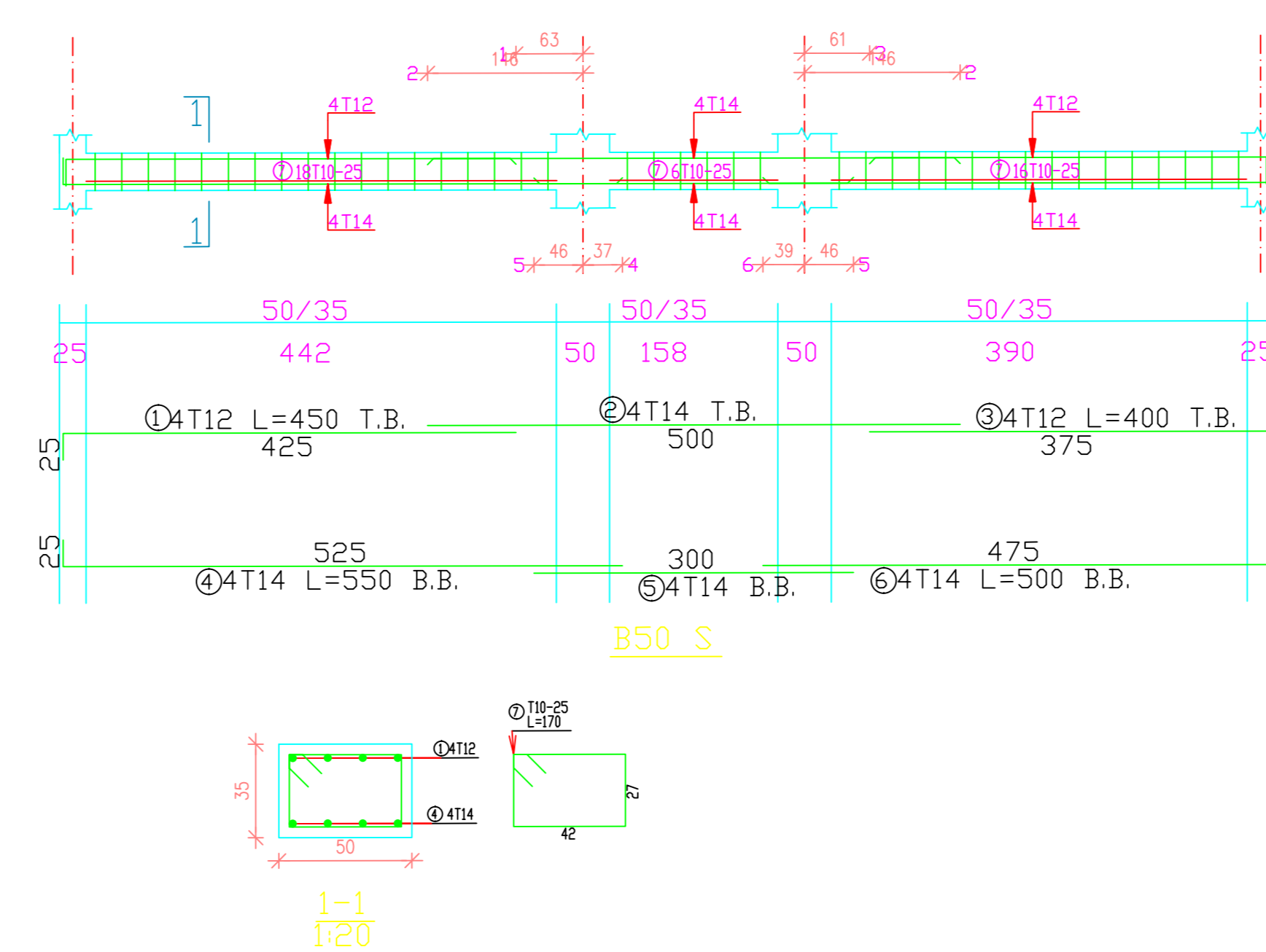
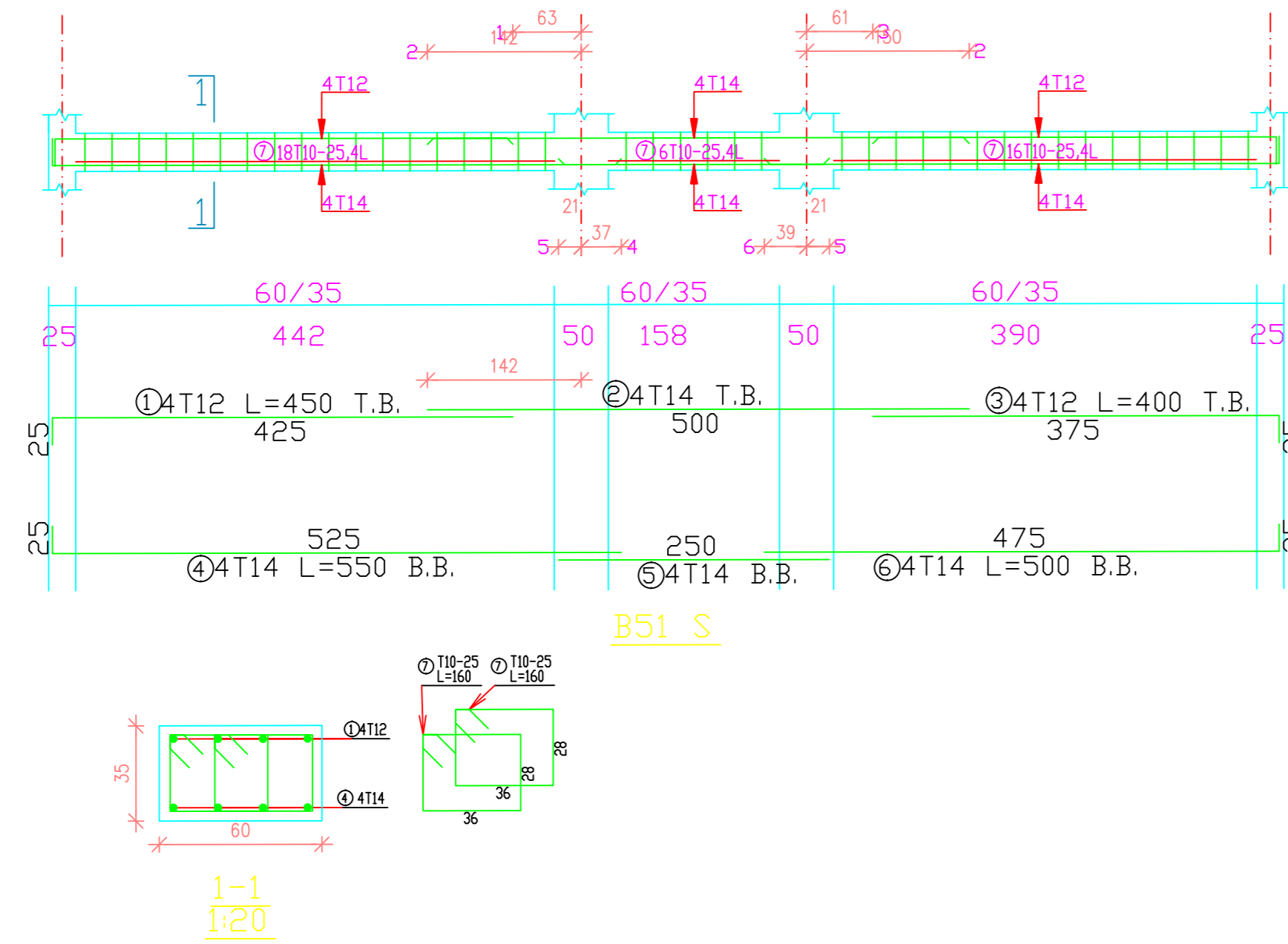
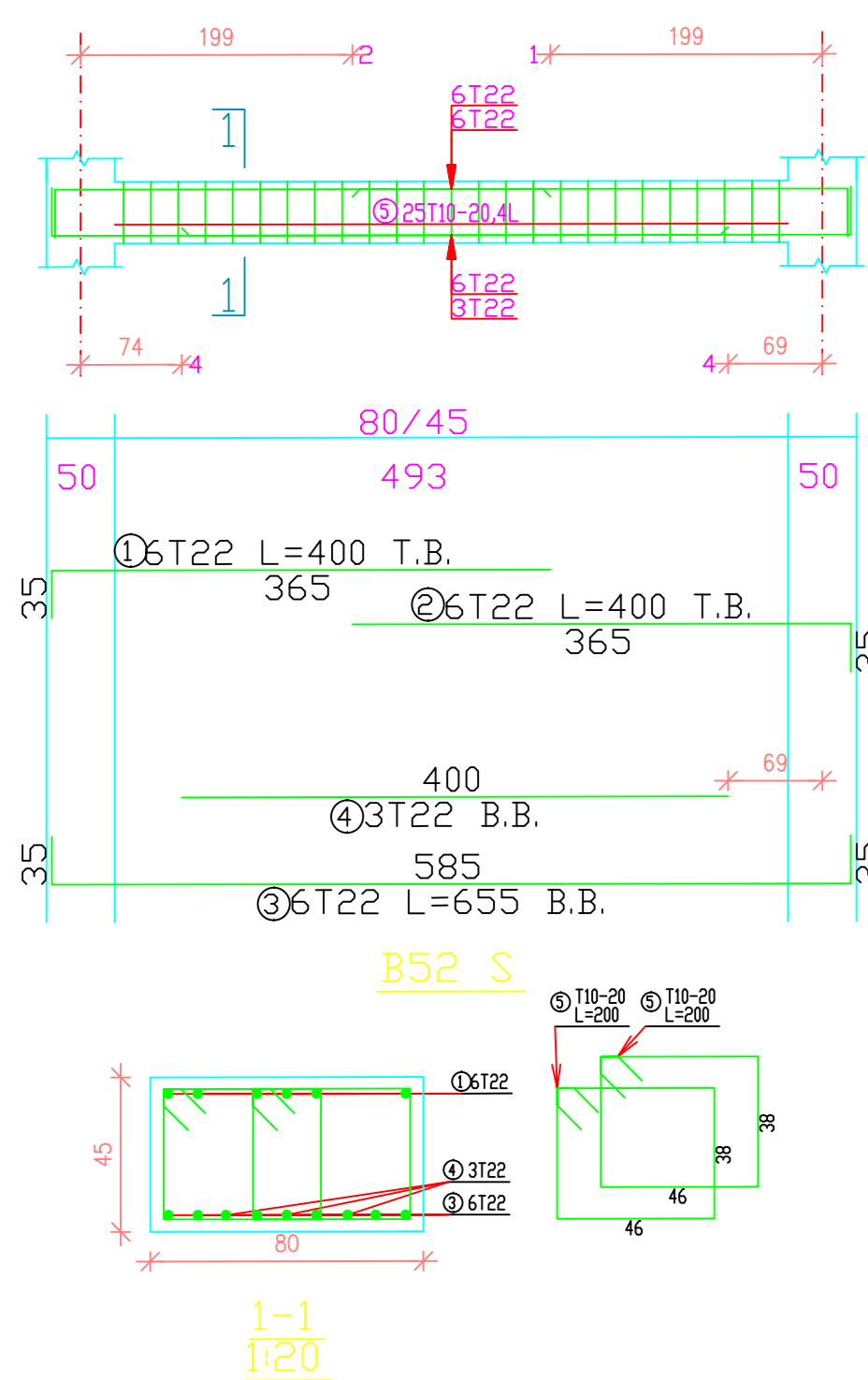
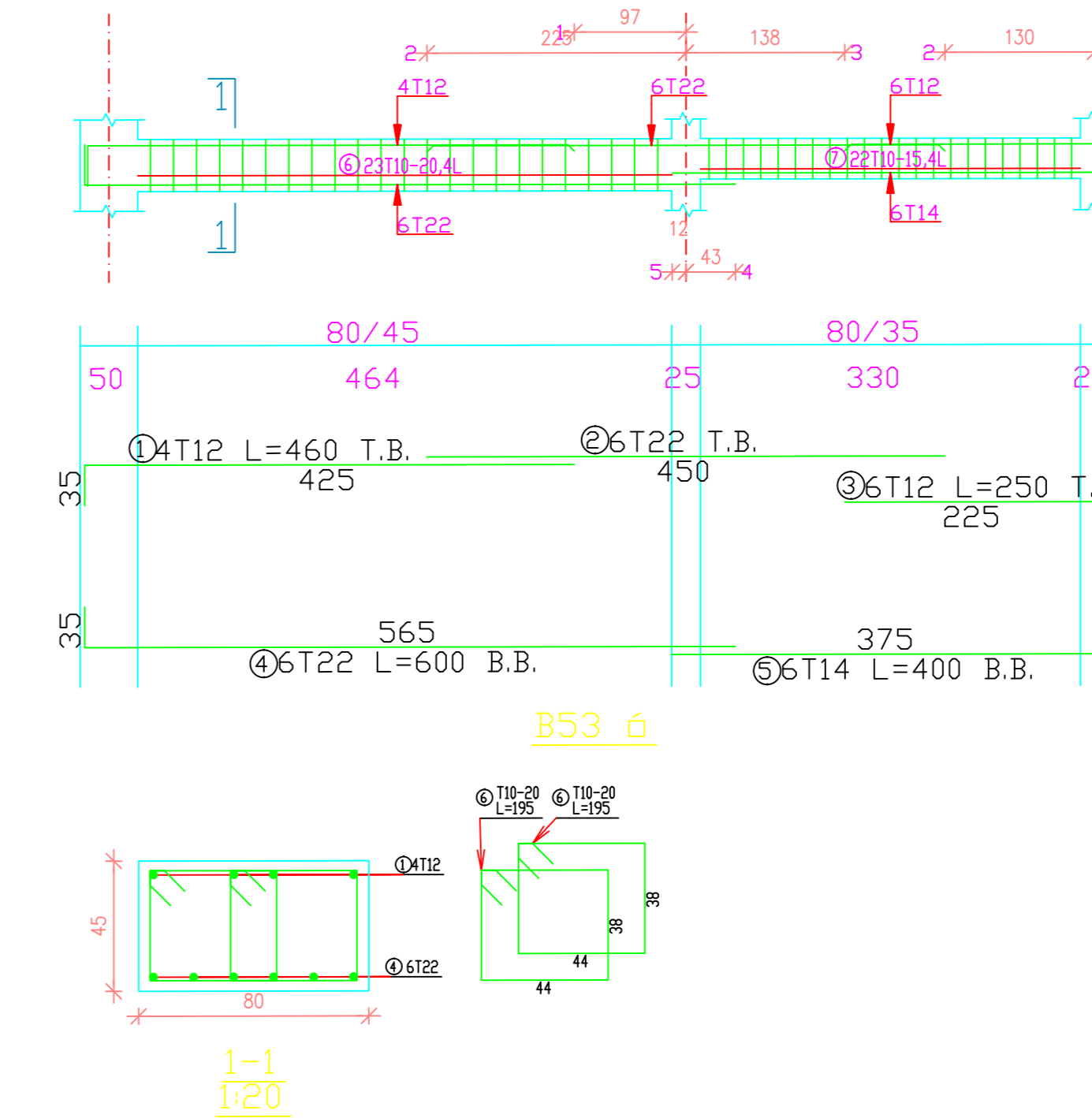
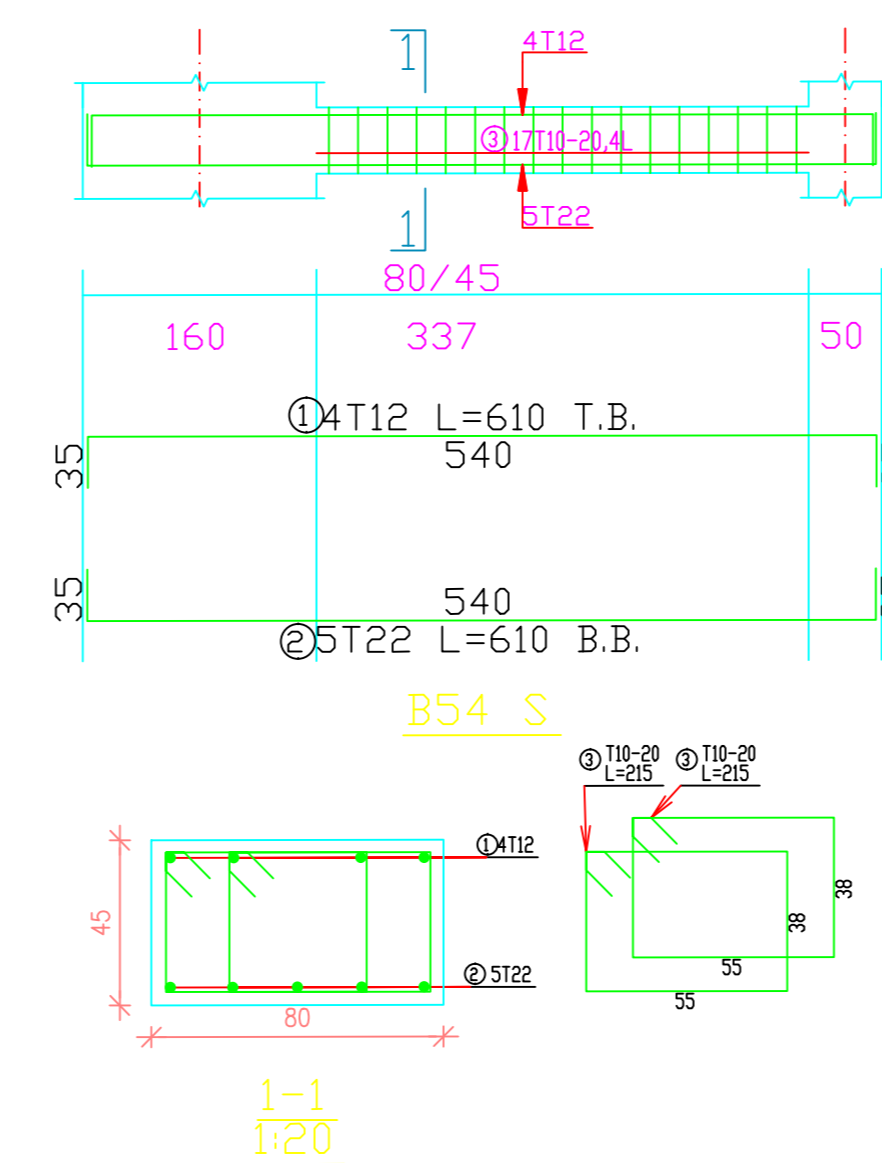
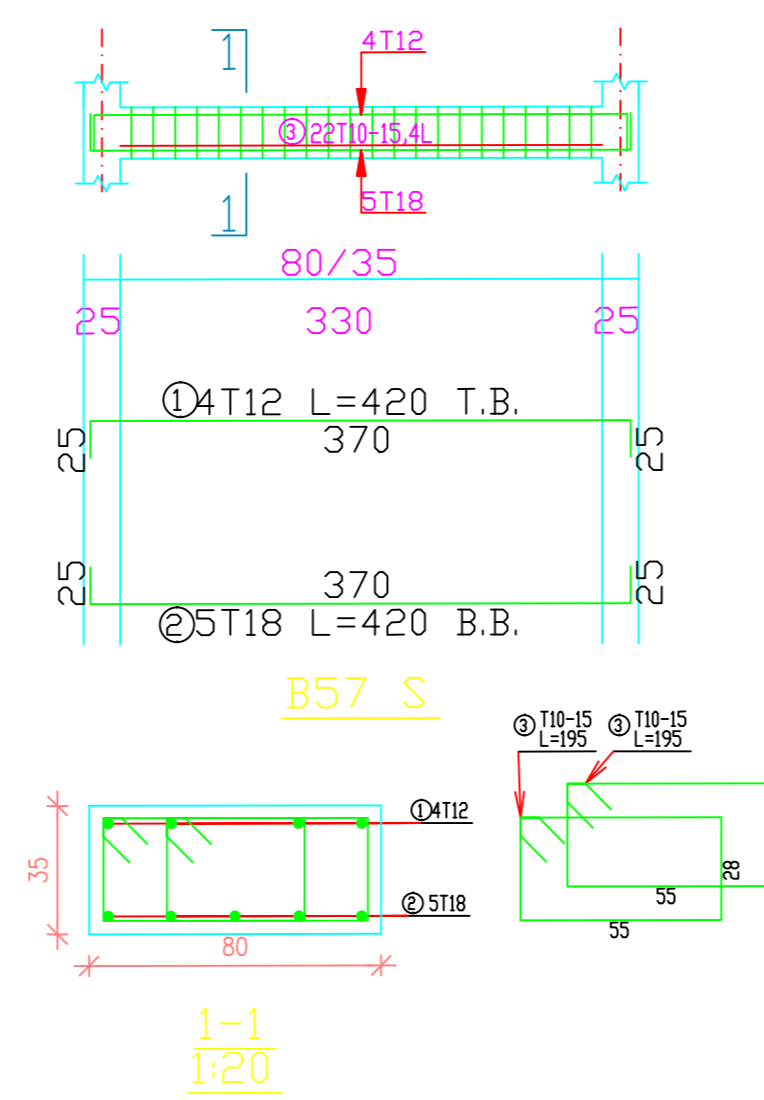
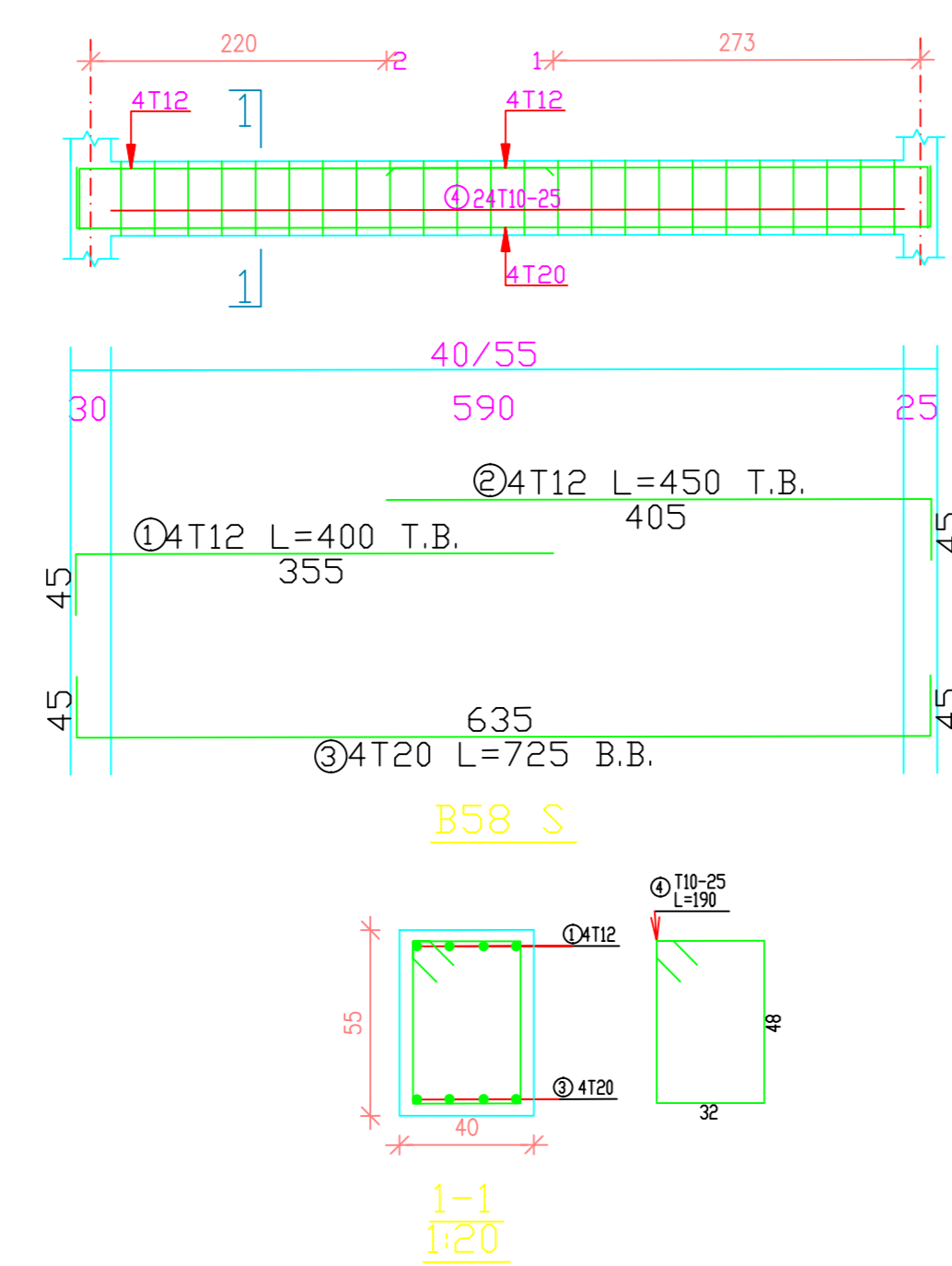
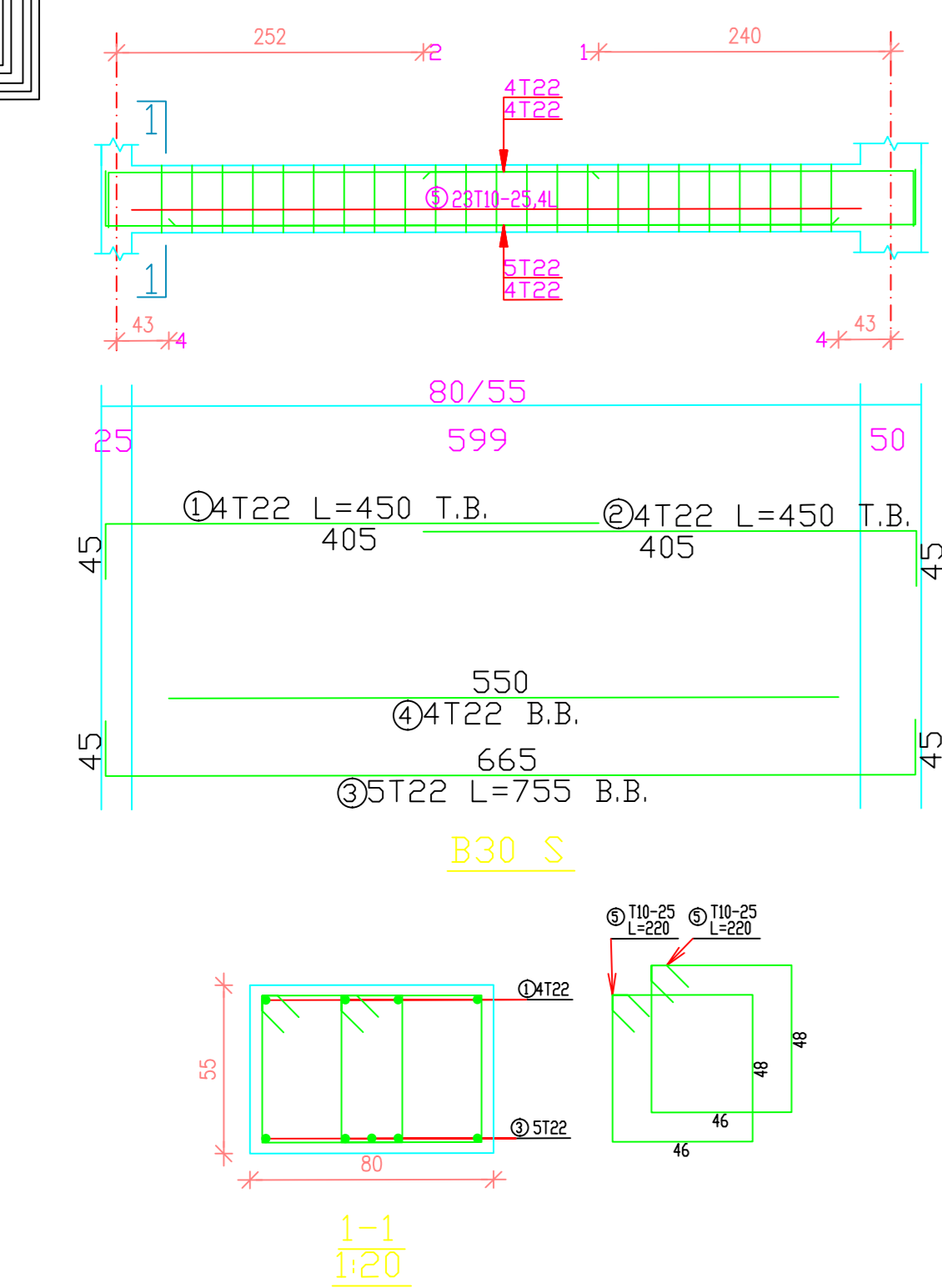
Drawing No.:

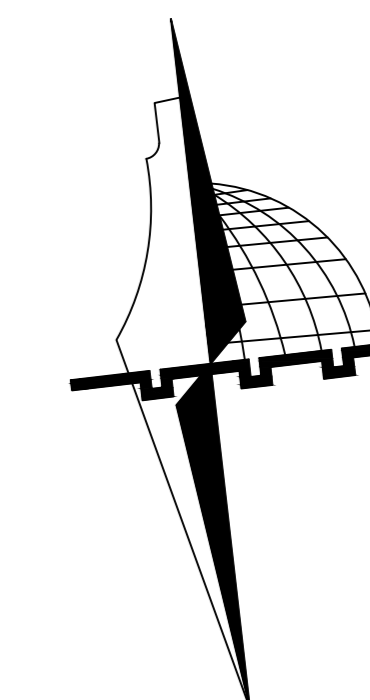
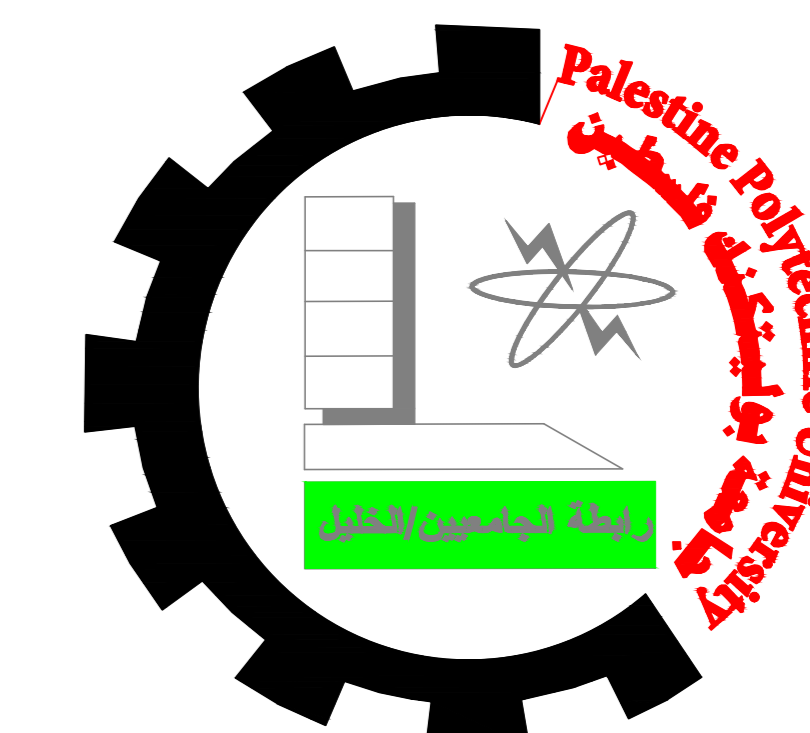
S 49

Date: 2/6/2021

View scale 1/50

Cover 4 cm





N

NOTES:

All Dimensions are in meters unless otherwise shown.

All spot levels are in meters.

Palestine Polytechnic University
Civil. & Arch. Eng. Department

Building Engineering

Project:

Residential Commercial Building

Designed By:

Feras Abo-Aljaysh
Noor Beiwat
Anas Jobran

Supervisor:

Eng.Mai Haddad

Drawing Title:

Beams Details

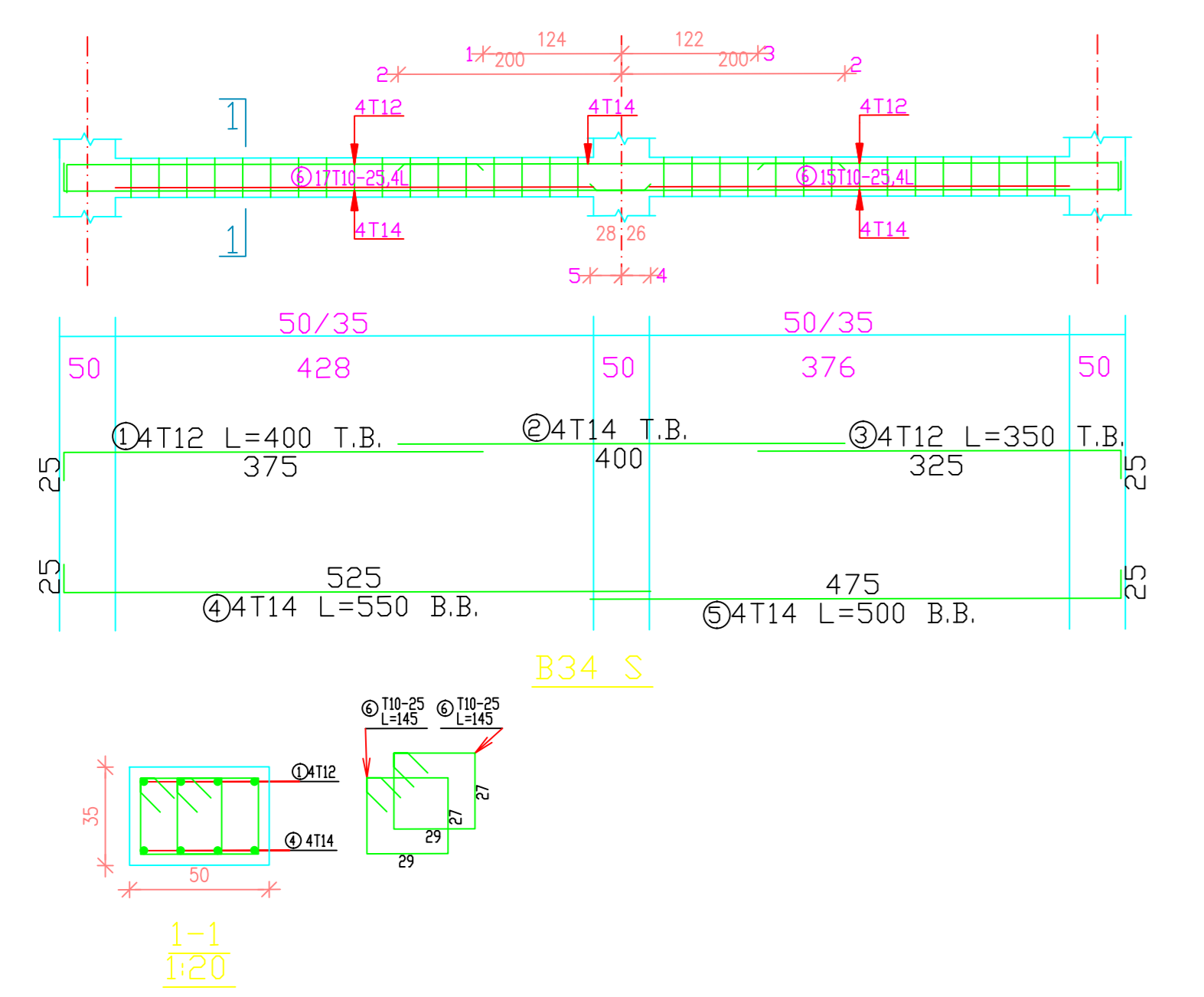
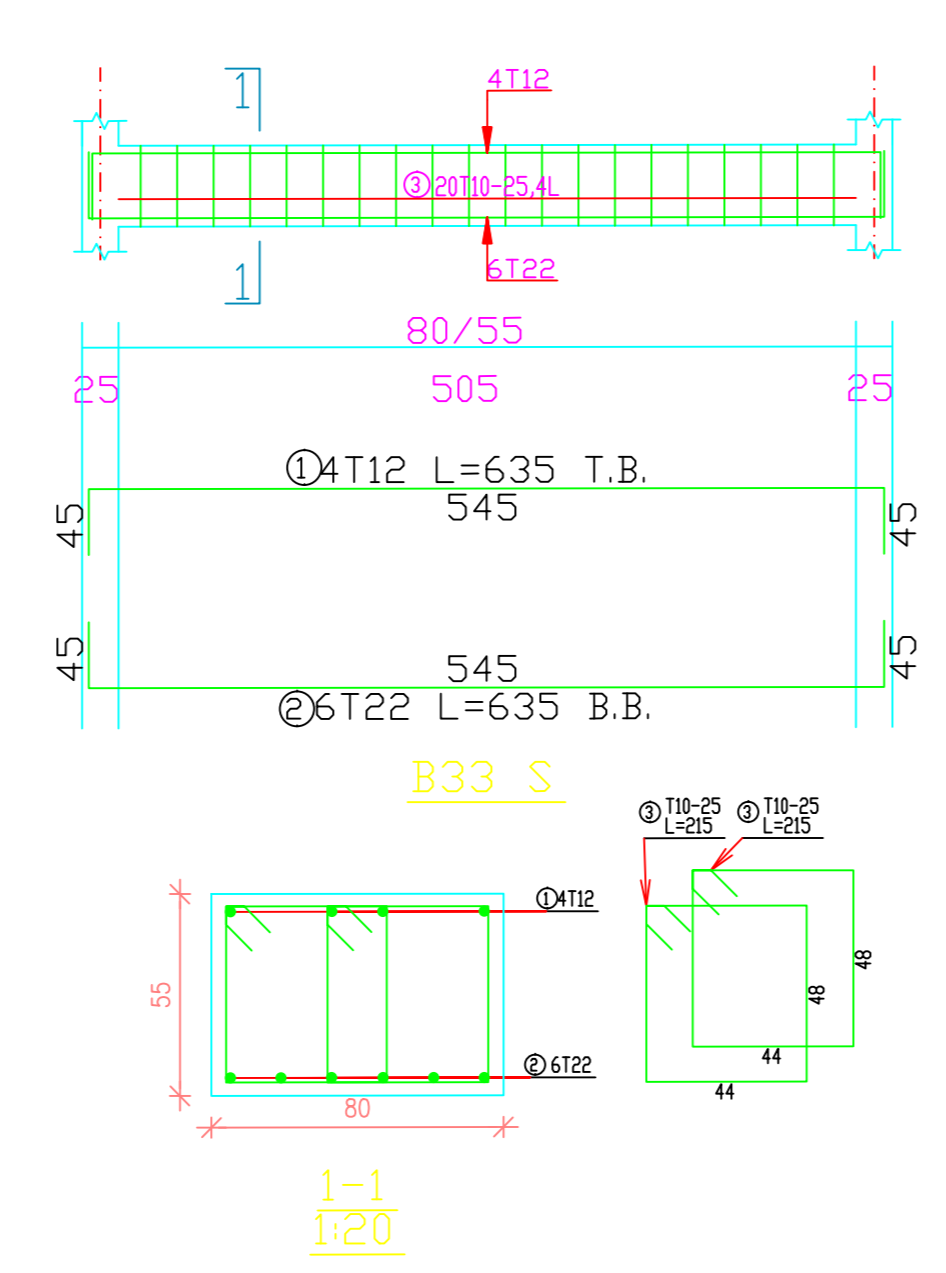
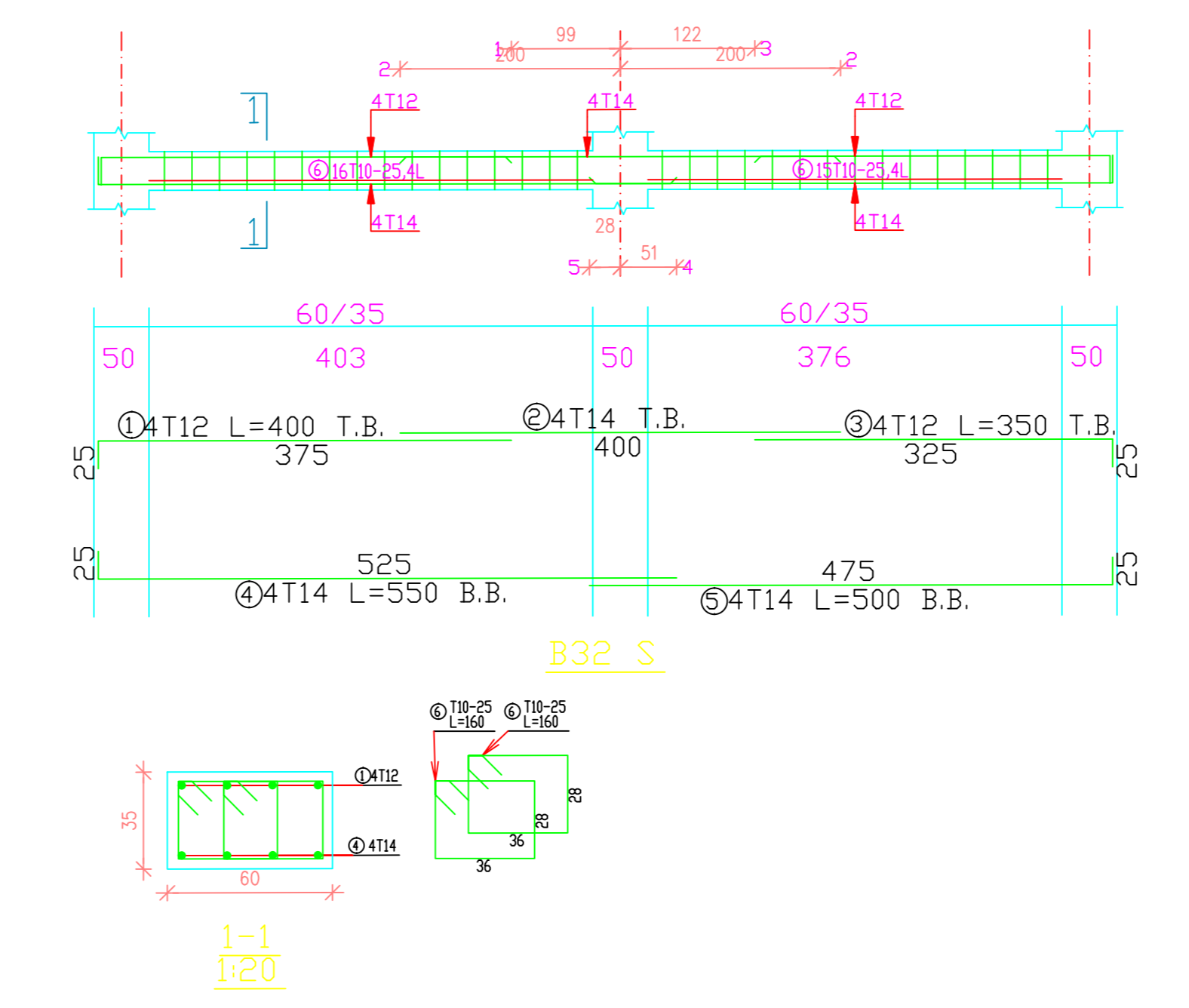
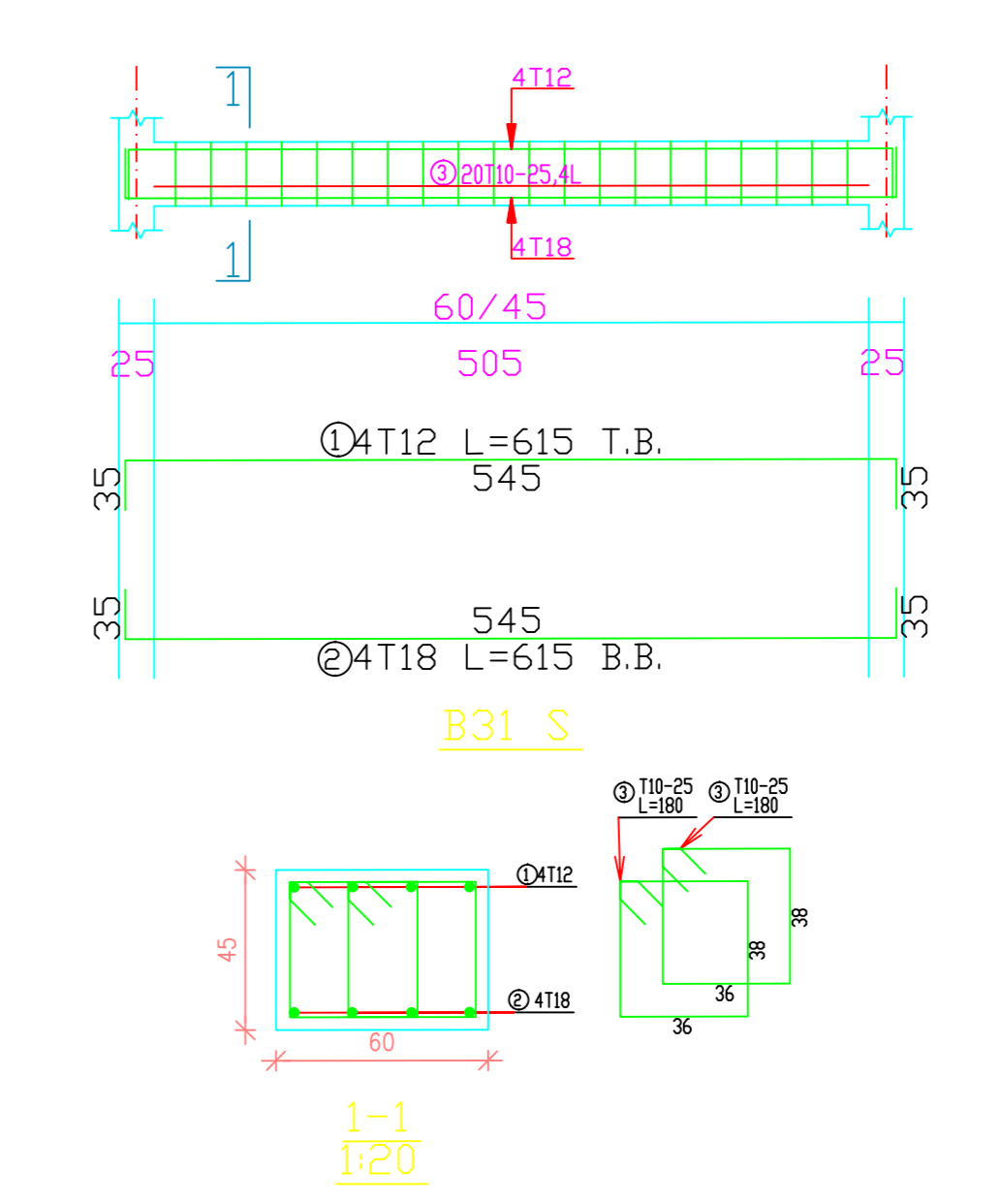
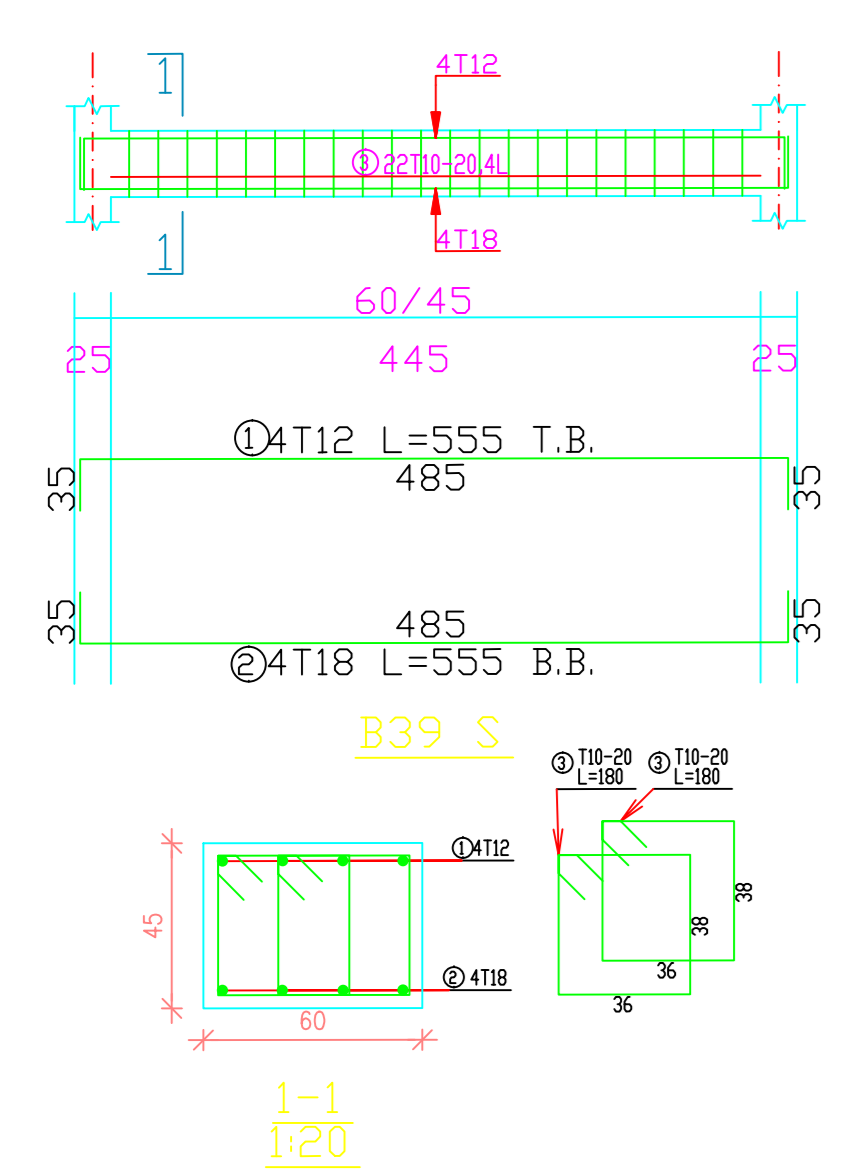
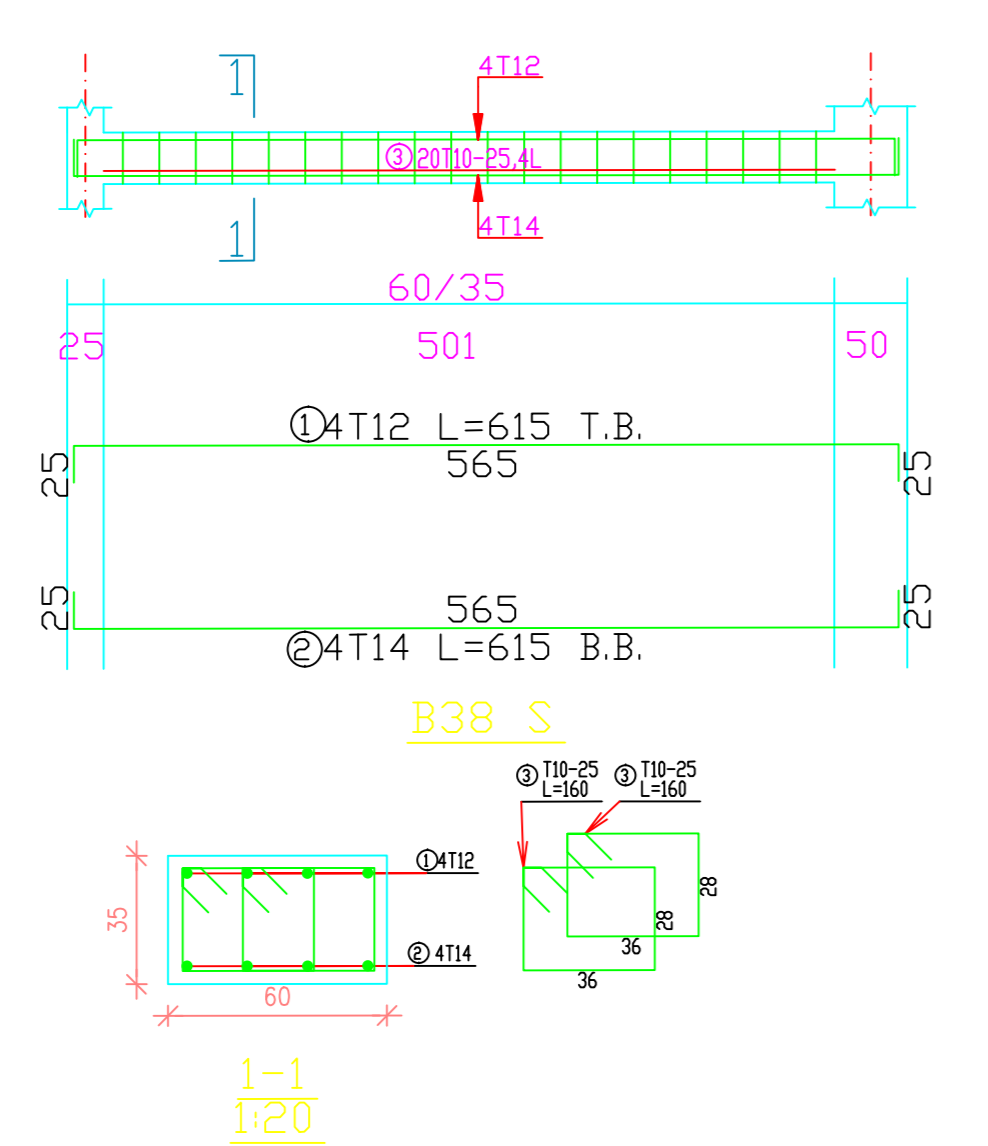
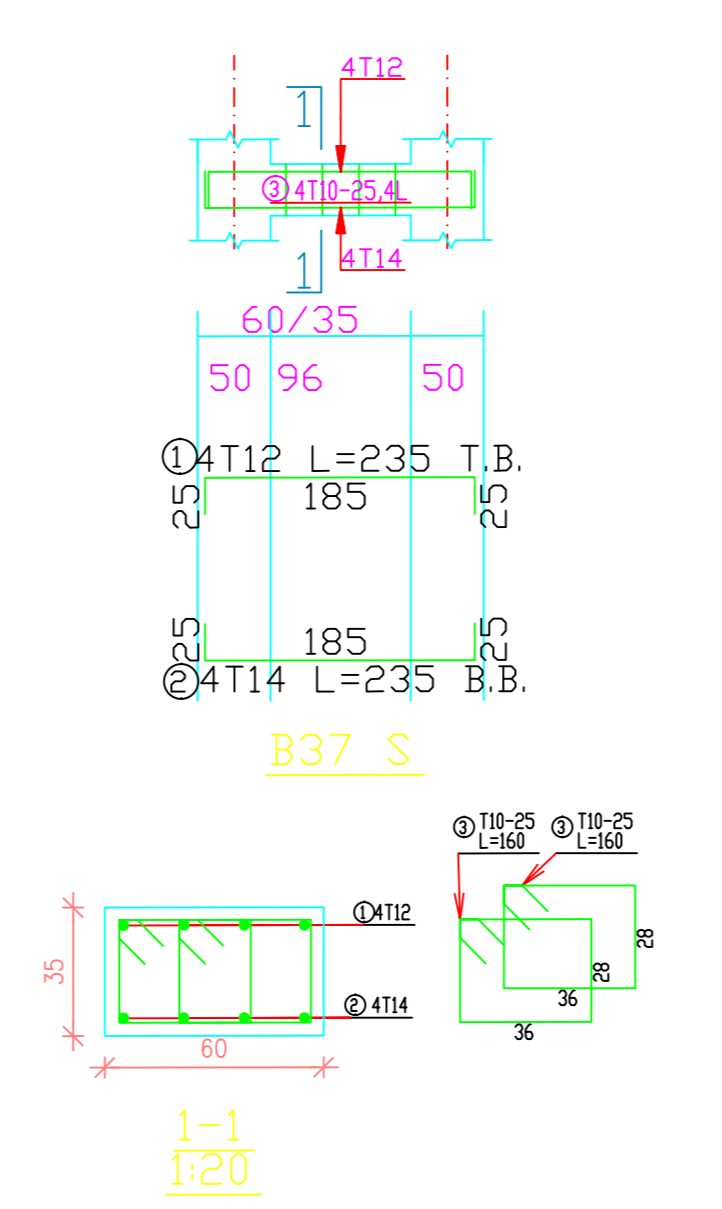
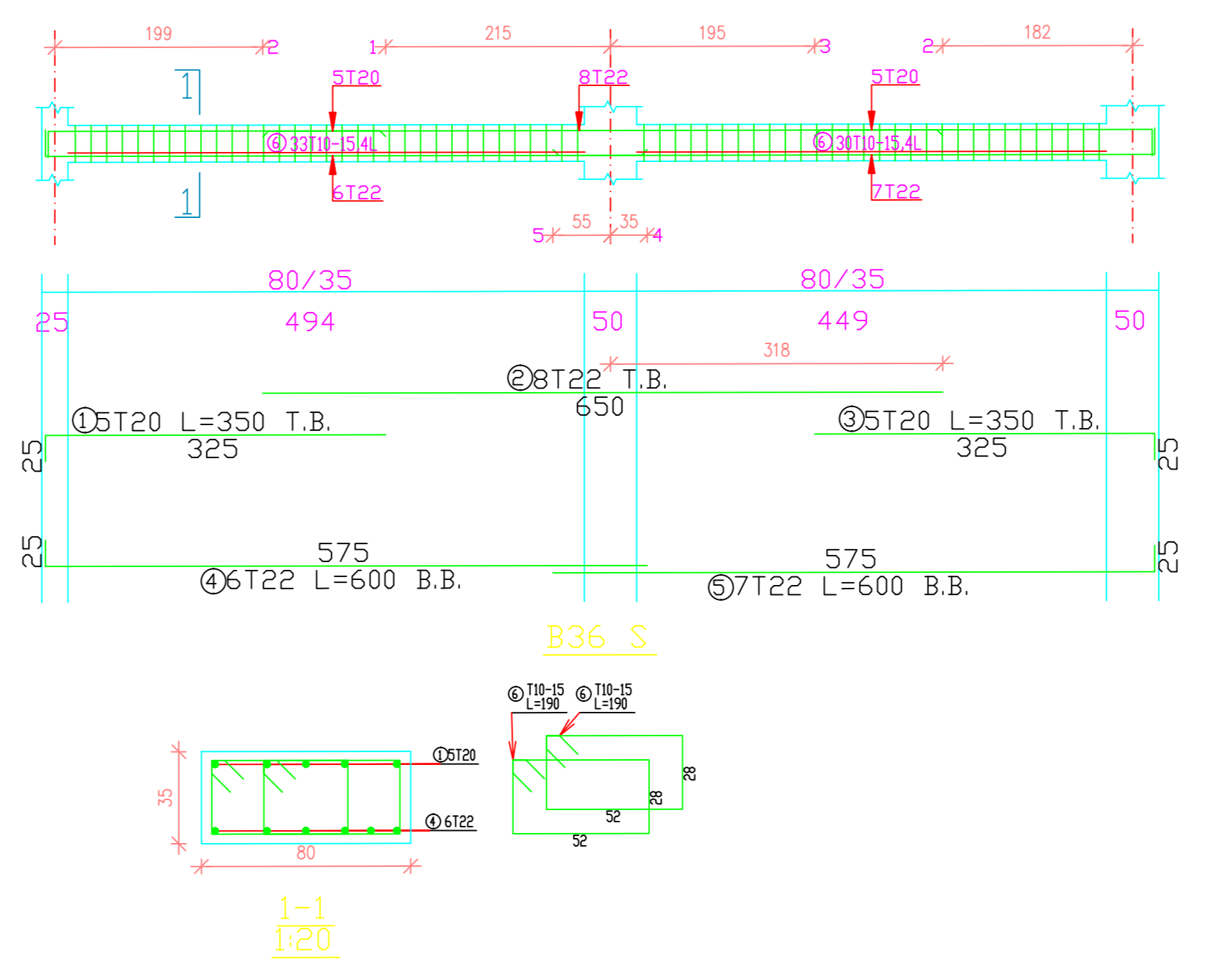
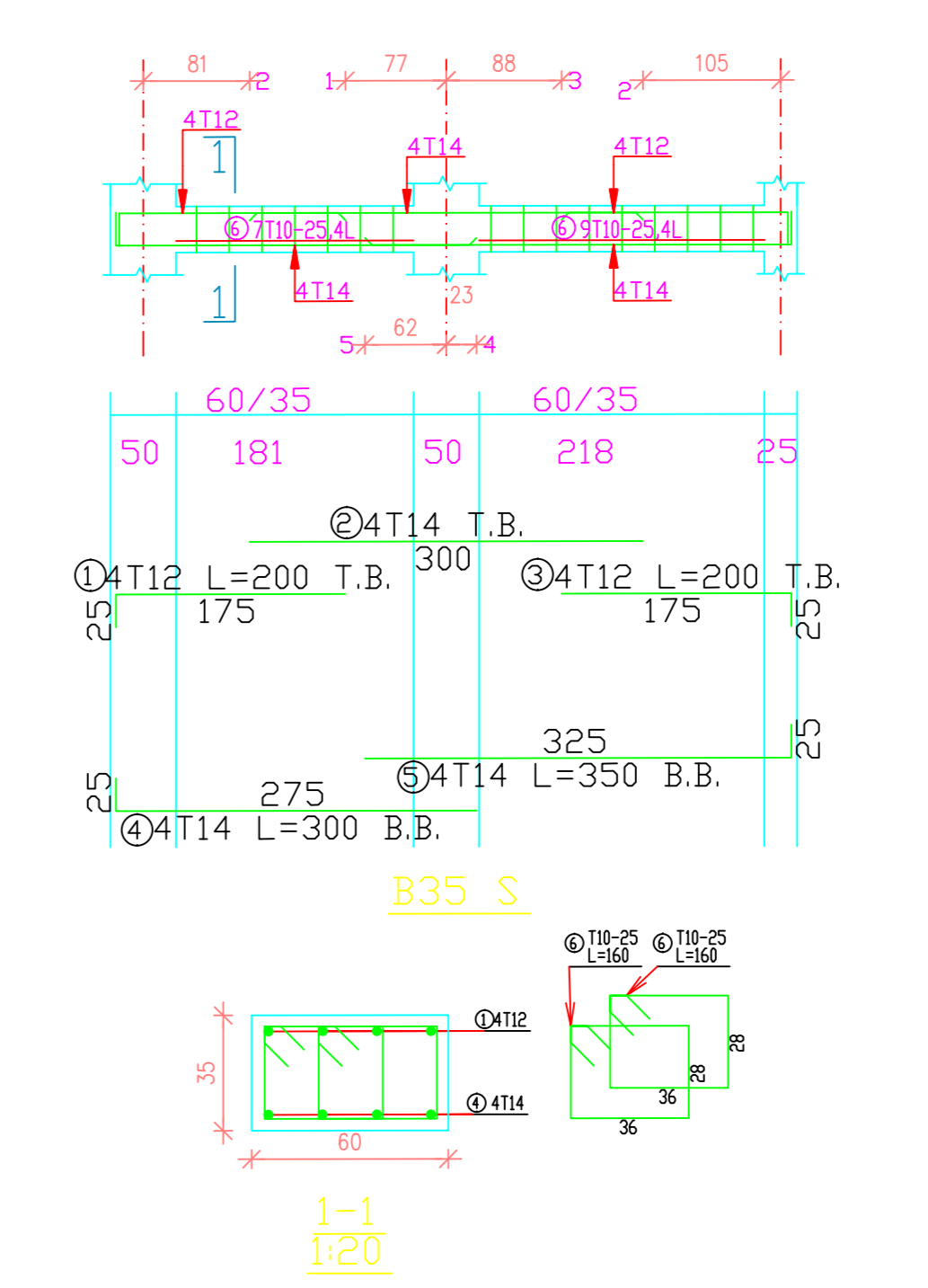
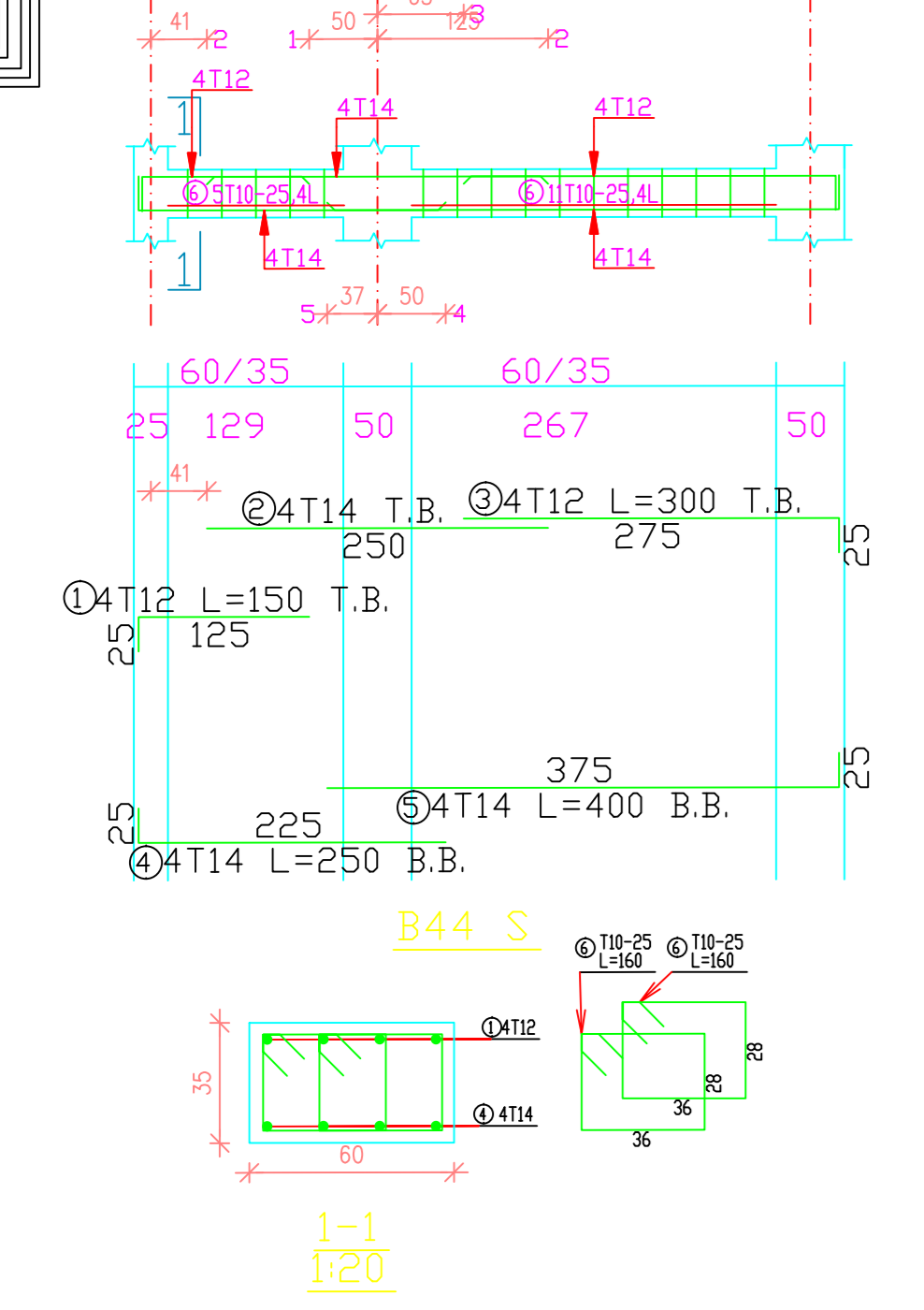
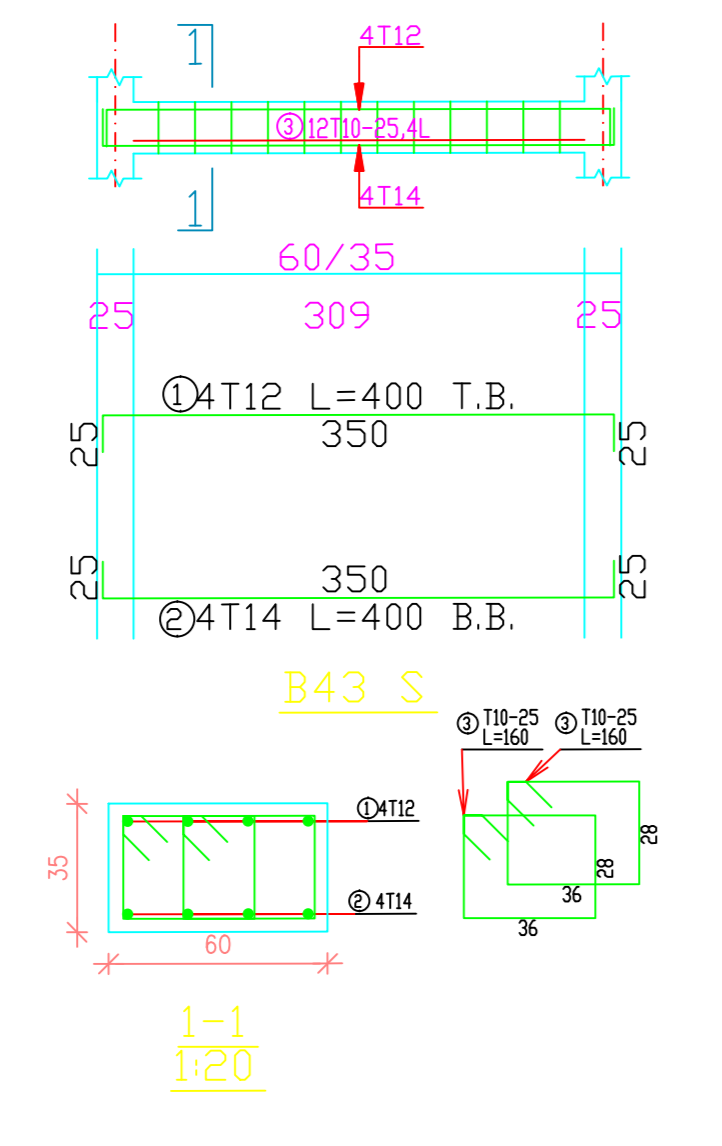
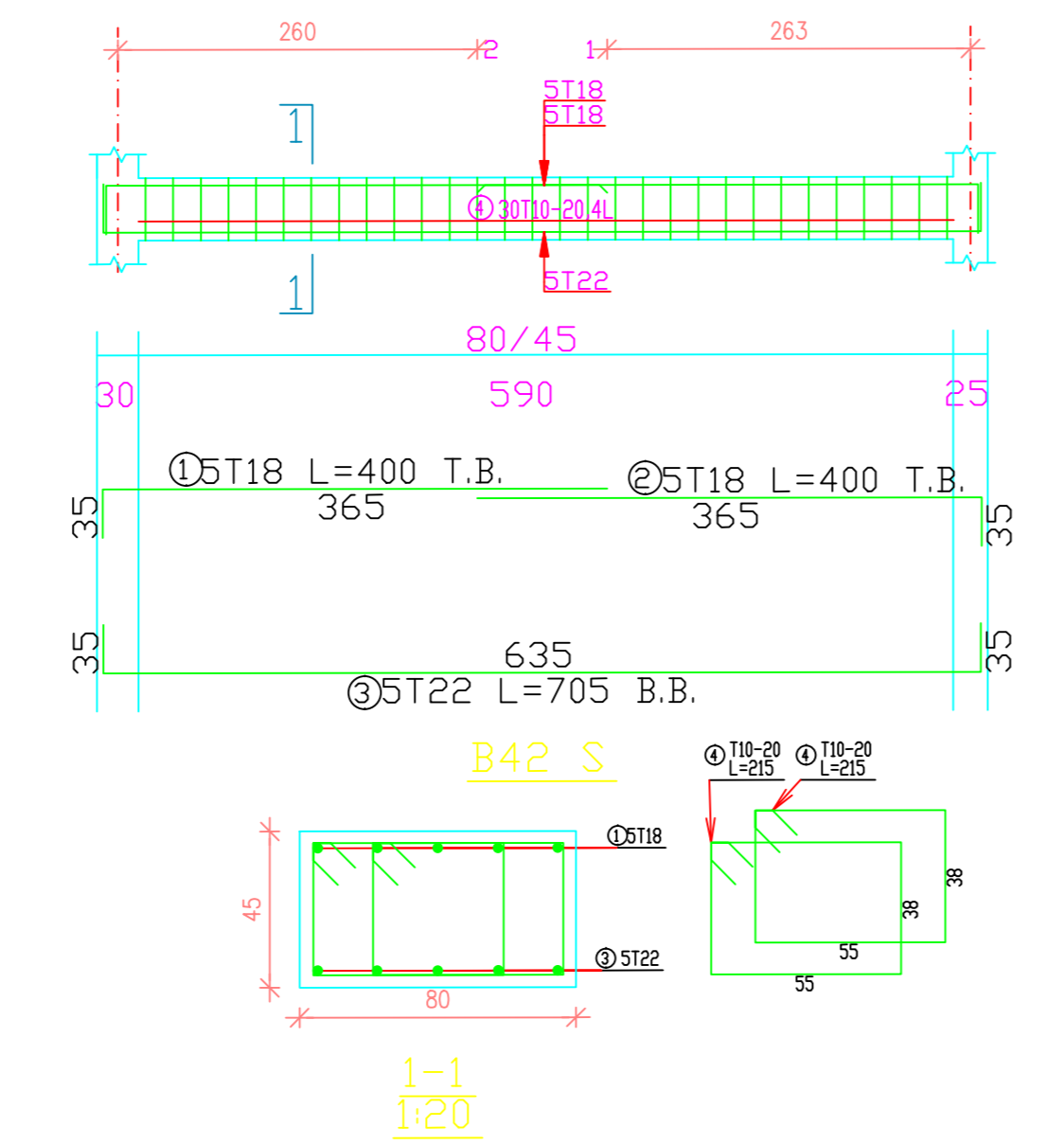
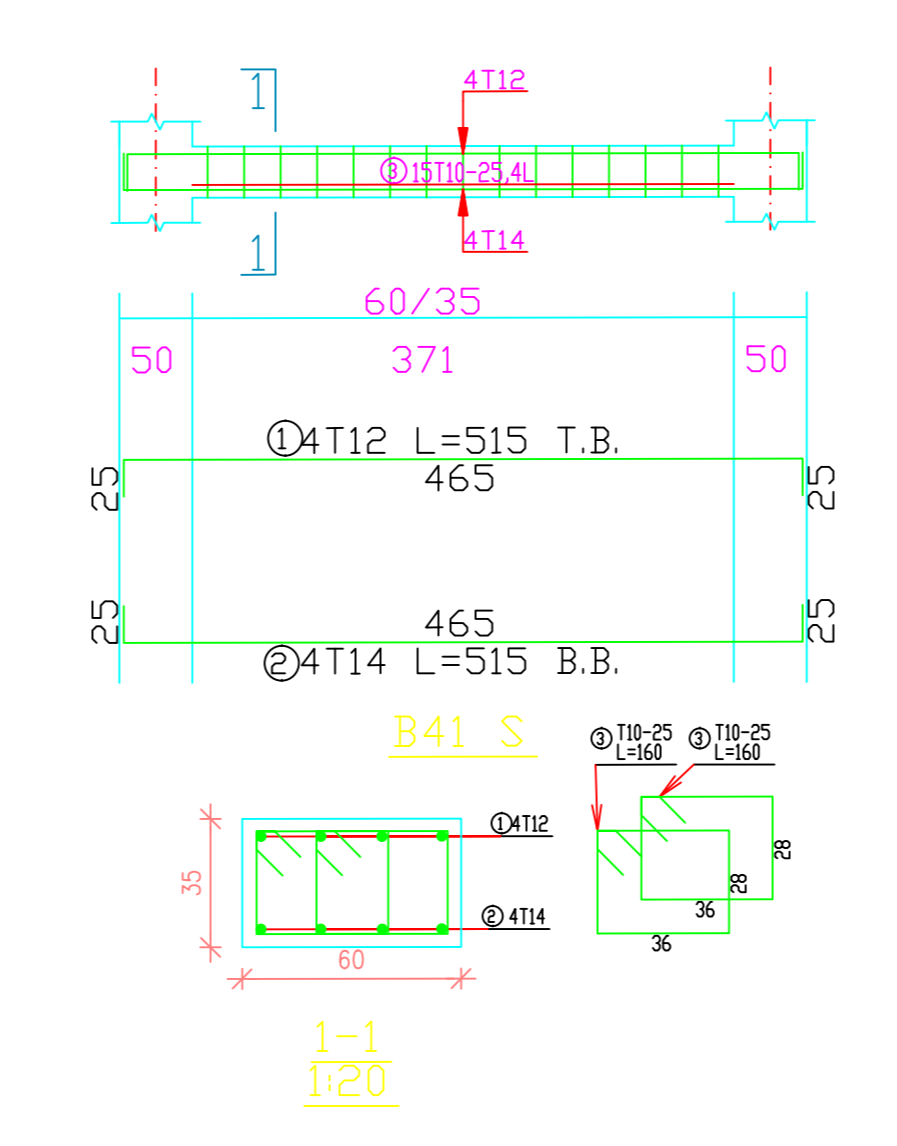
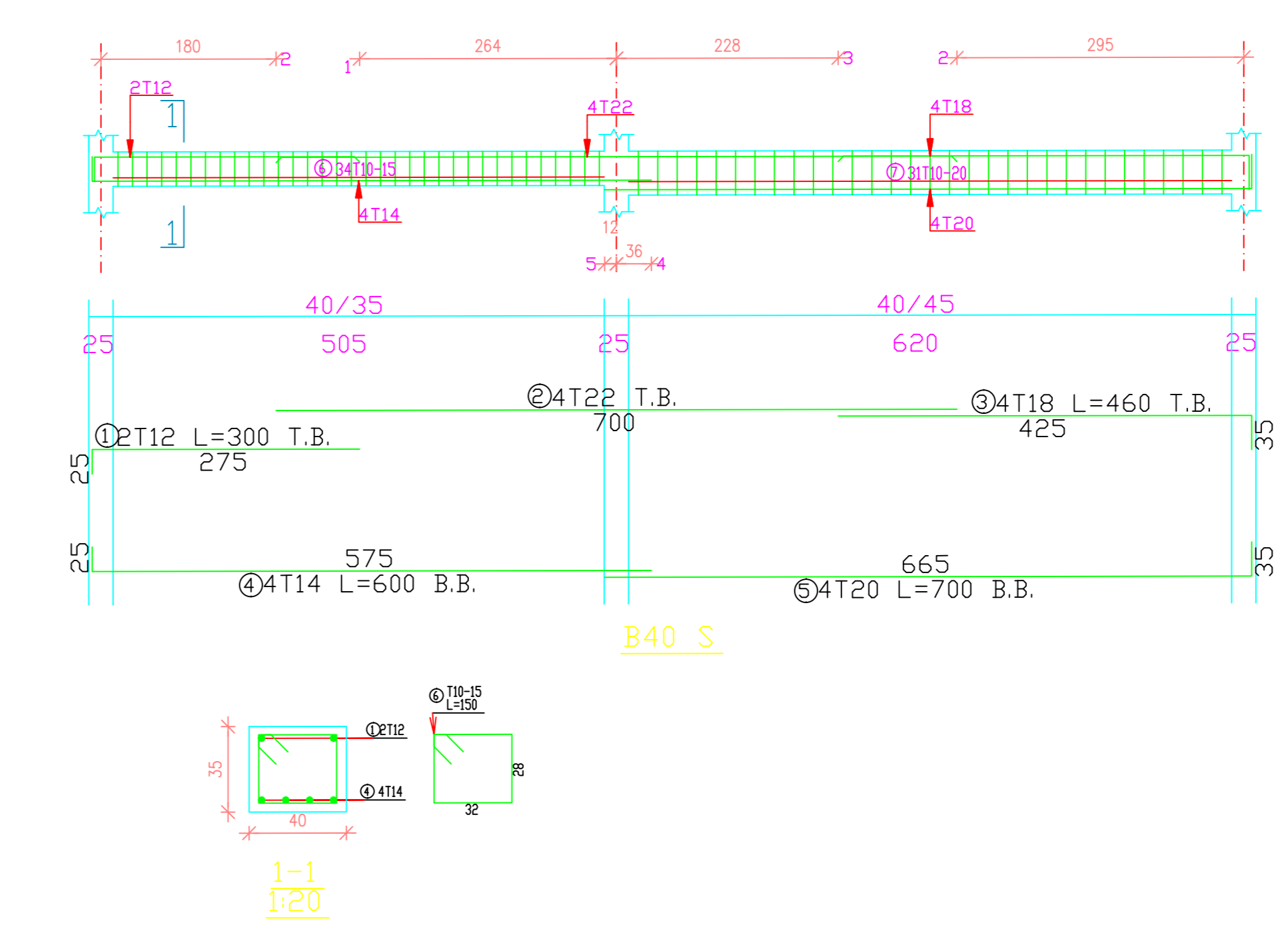
Drawing No.:

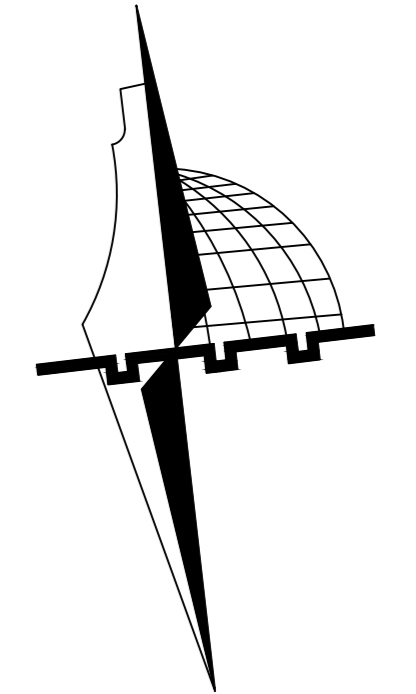
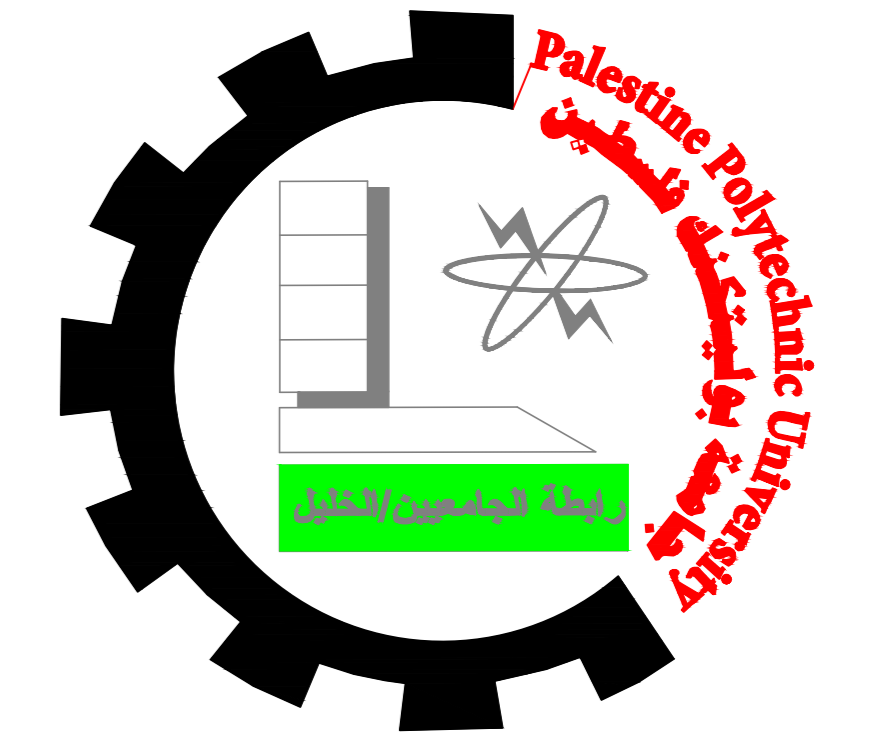
S 50

Date: 2/6/2021

View scale 1/50

Cover 4 cm





N

NOTES:

All Dimensions are in meters
unless otherwise shown.
All spot levels are in meters.

Palestine Polytechnic University
Civil. & Arch. Eng. Department
Building Engineering

Project :
Residential Commercial Building
Designed By :
Feras Abo-Aljraysh
Noor Beiwat
Anas Jobran

Supervisor :
Eng. Mai Haddad

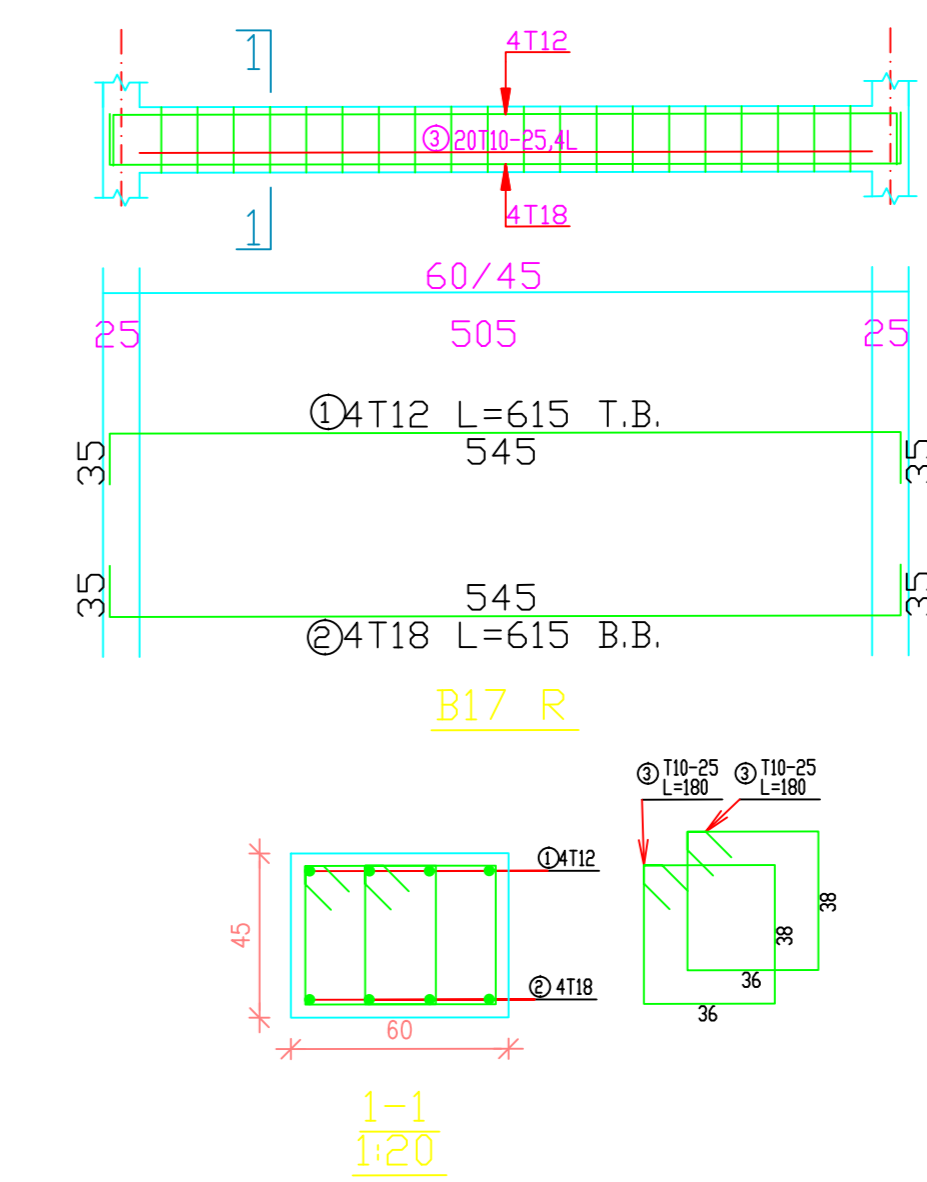
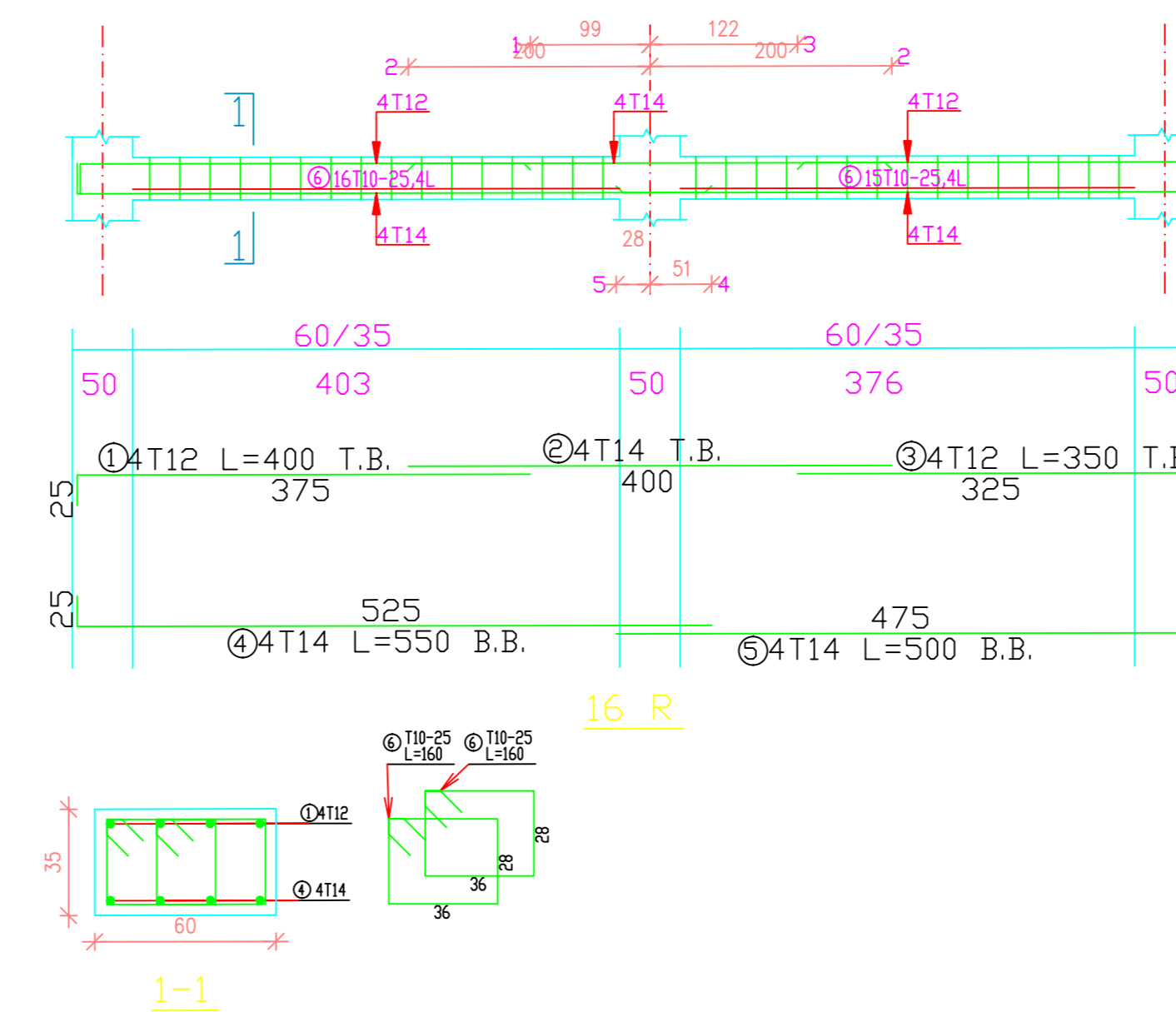
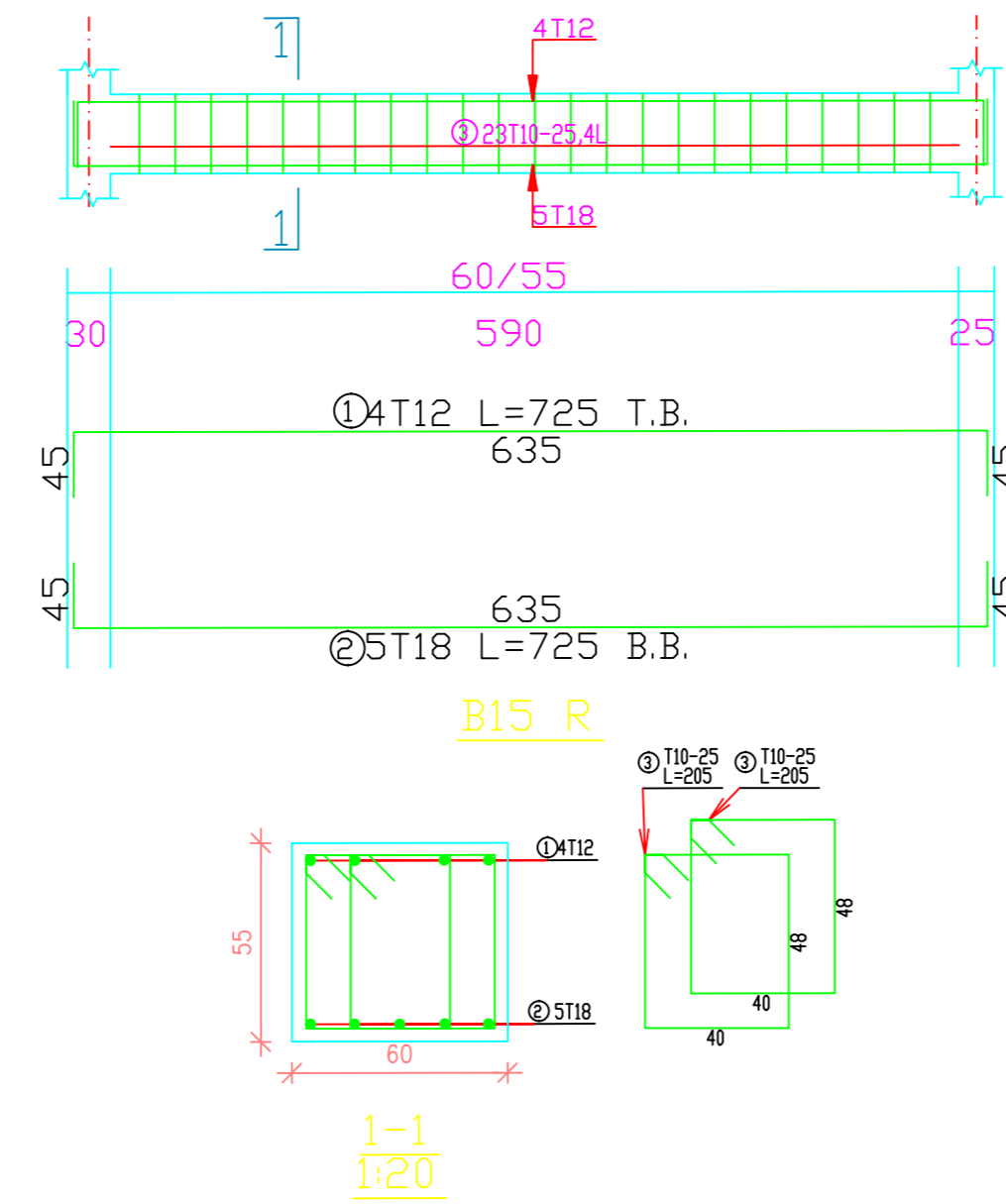
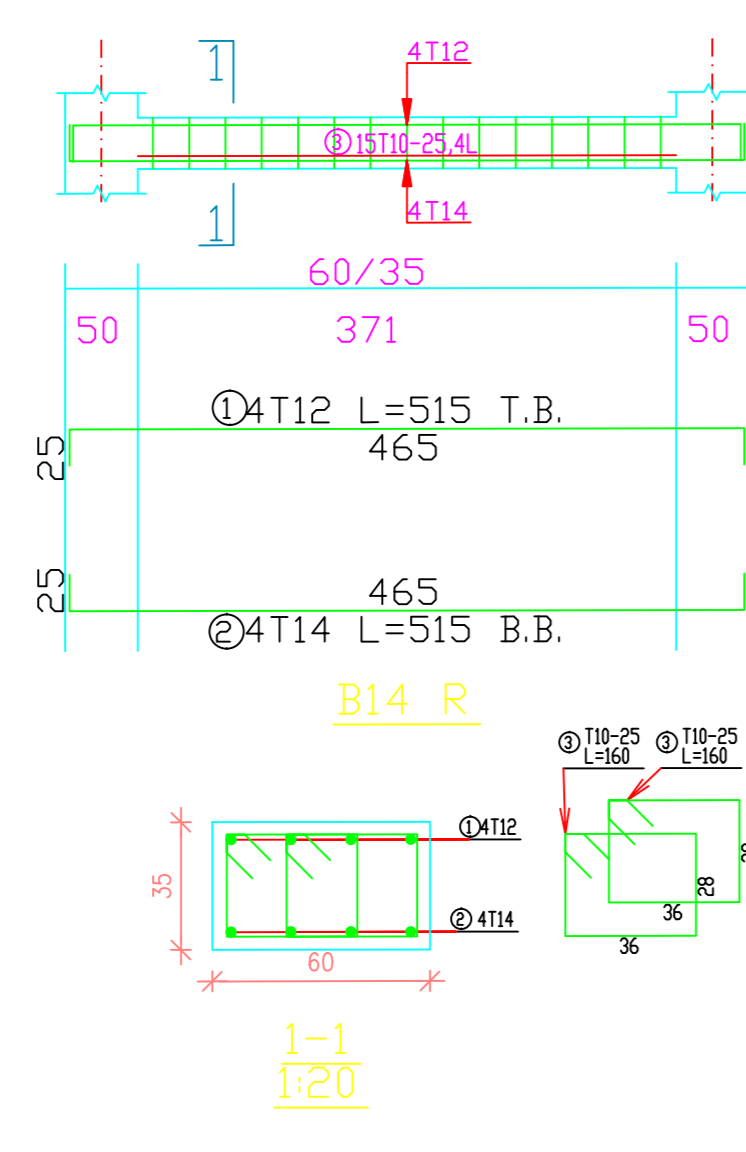
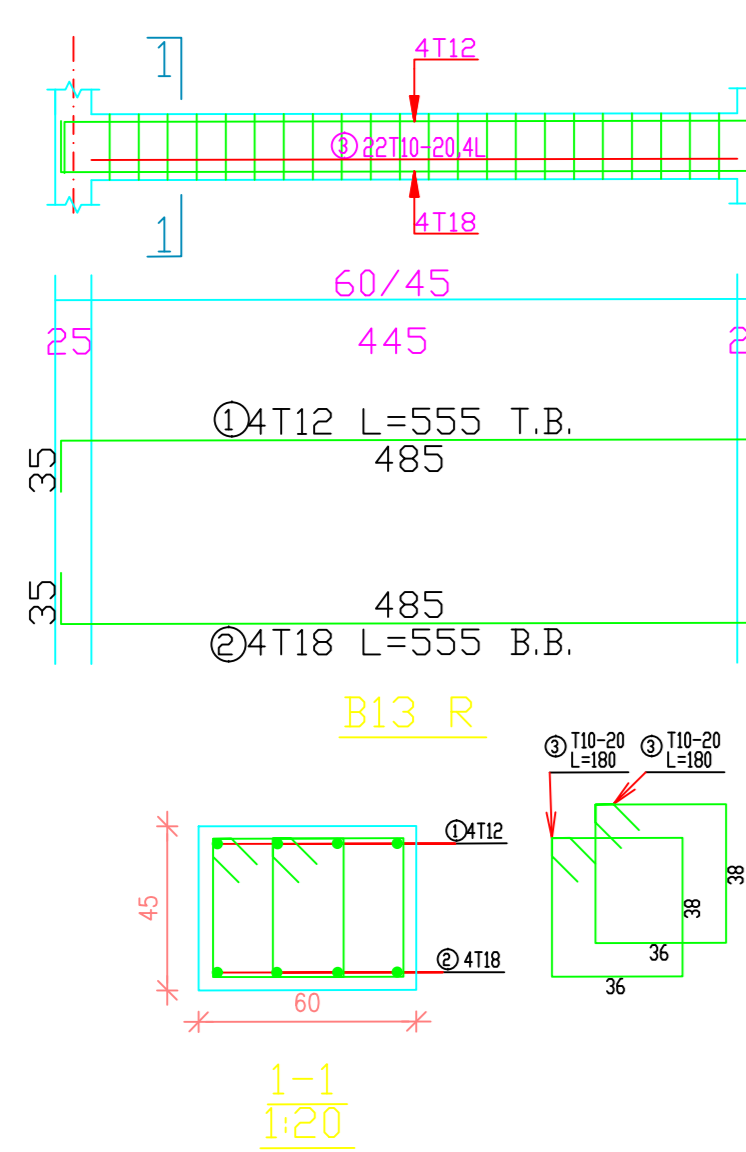
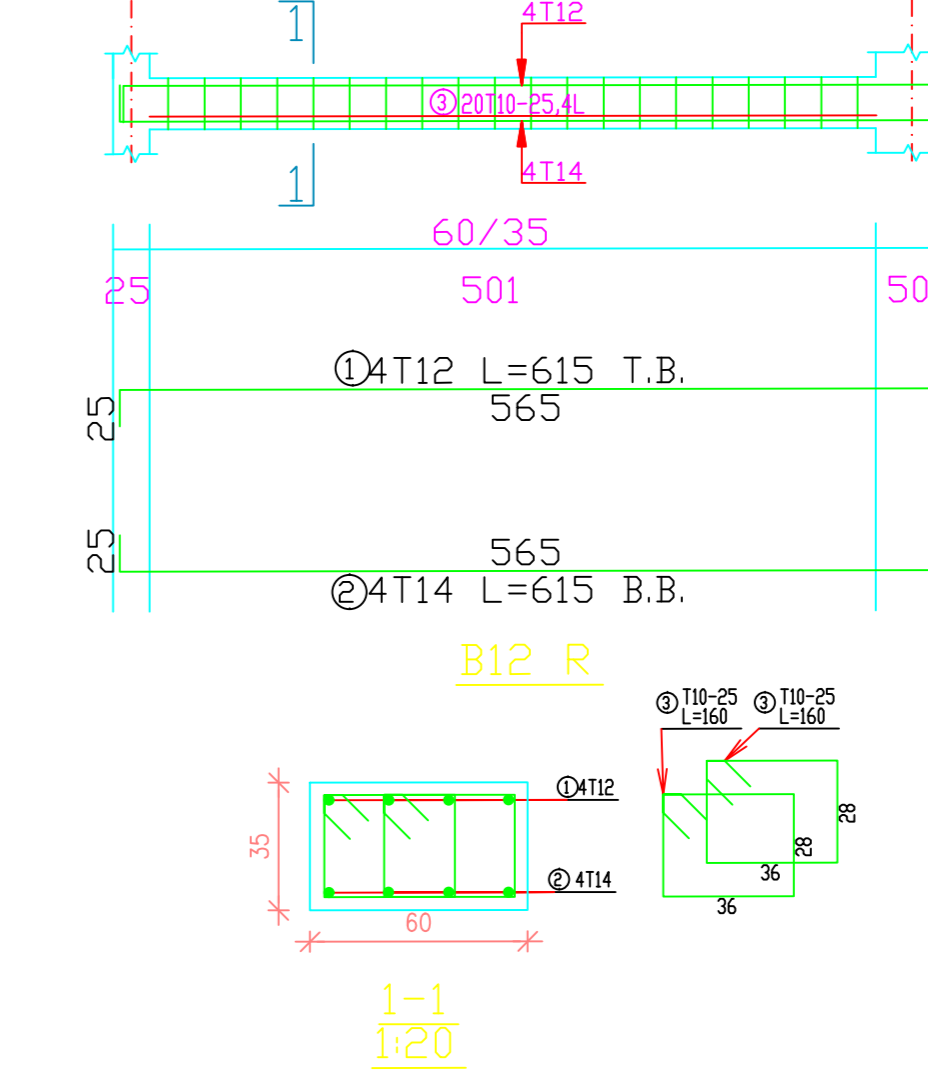
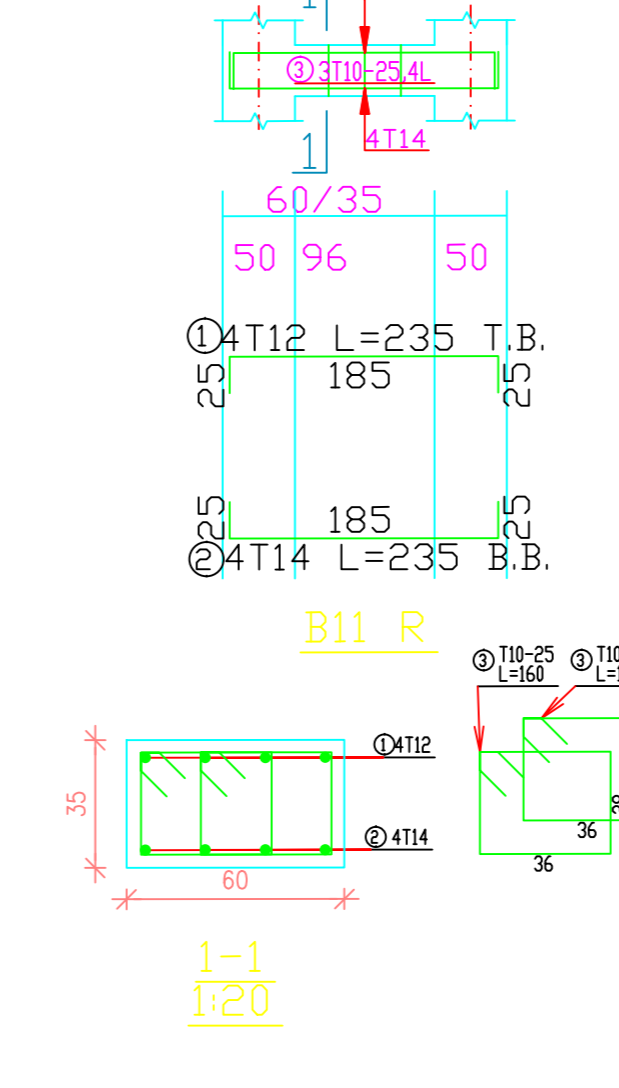
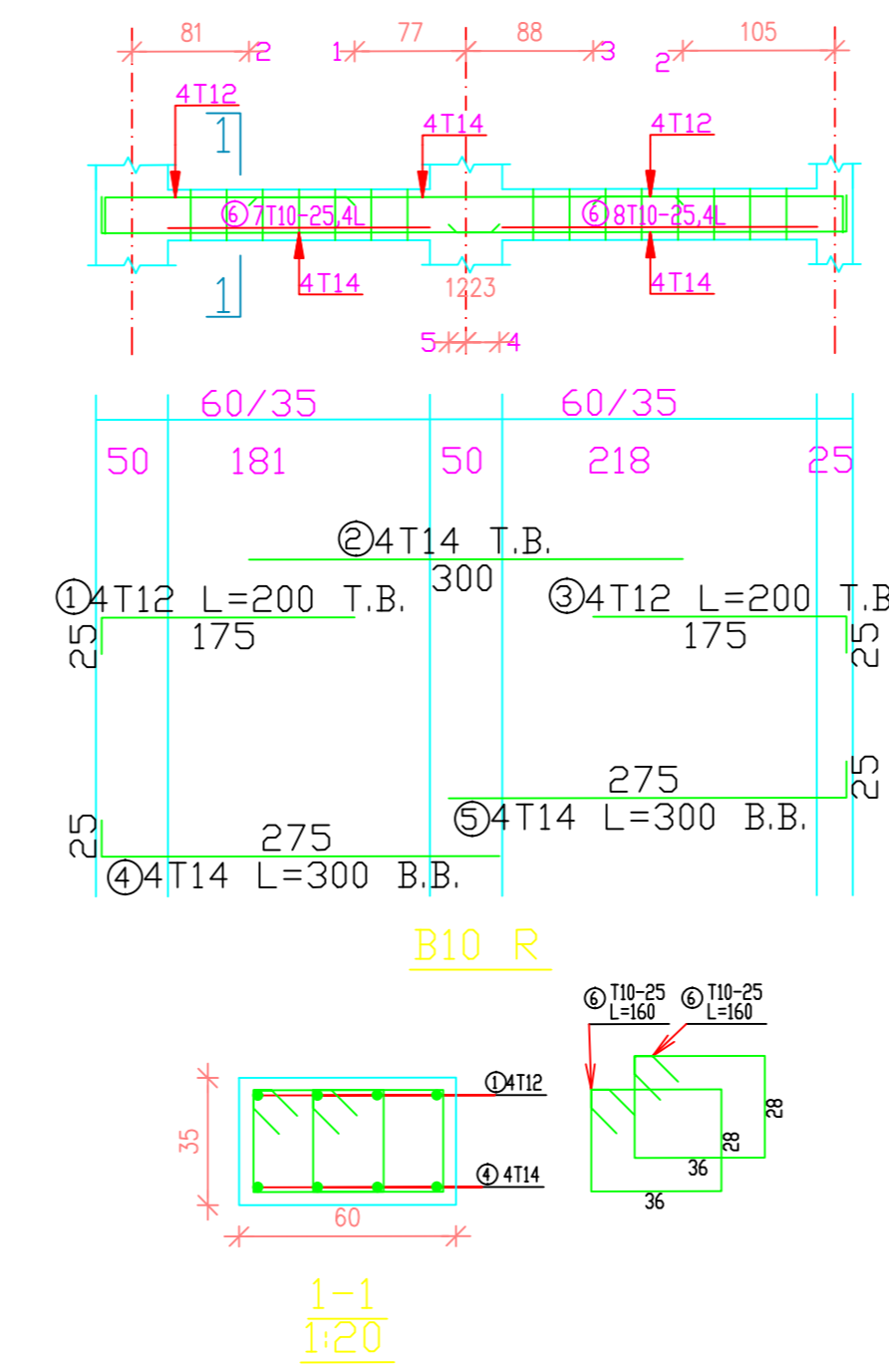
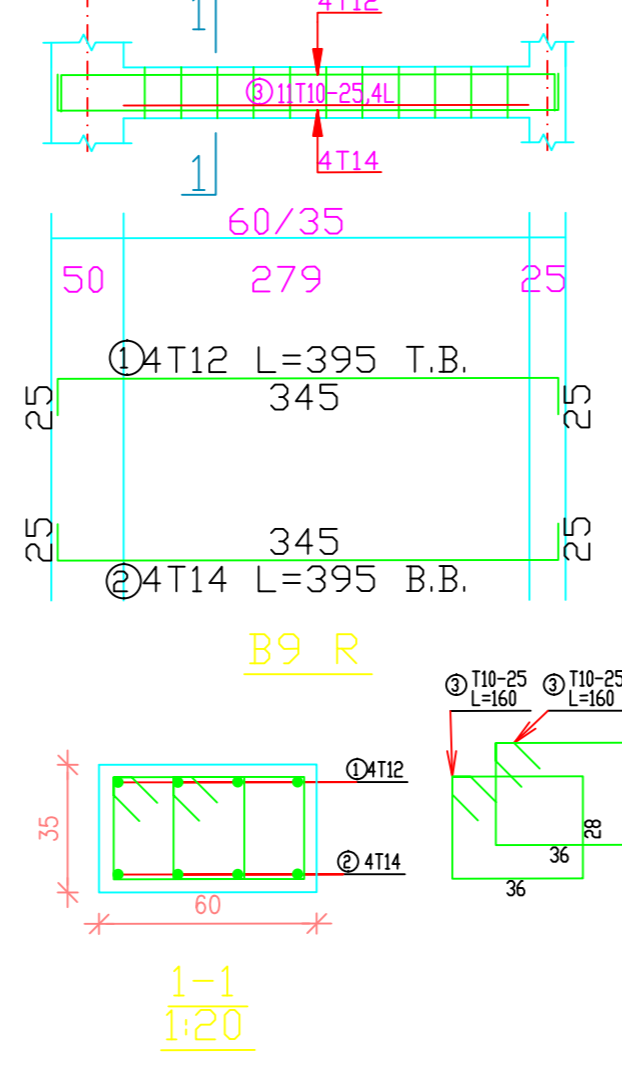
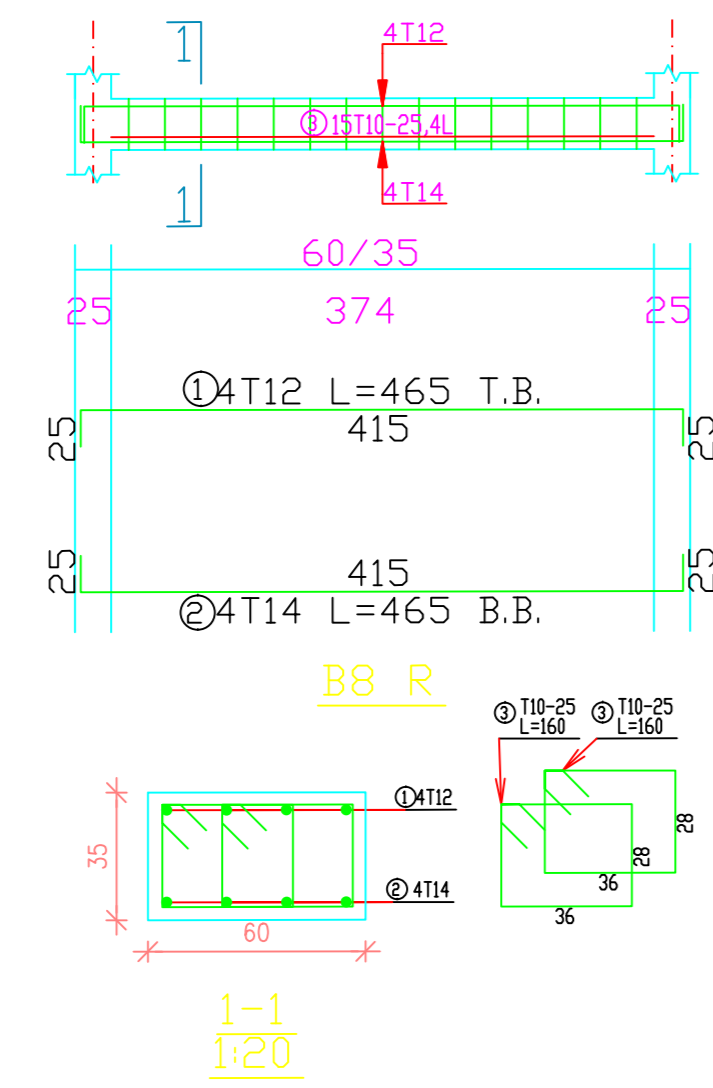
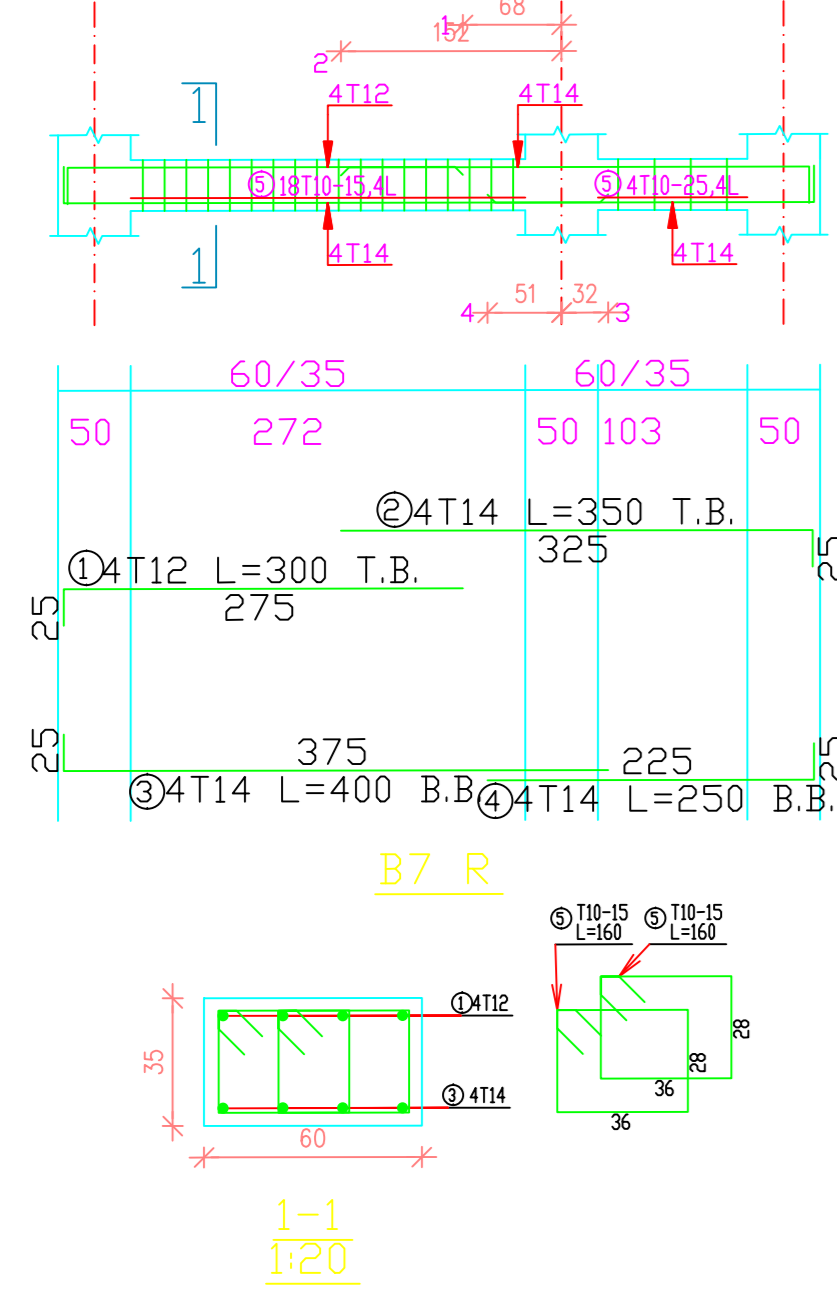
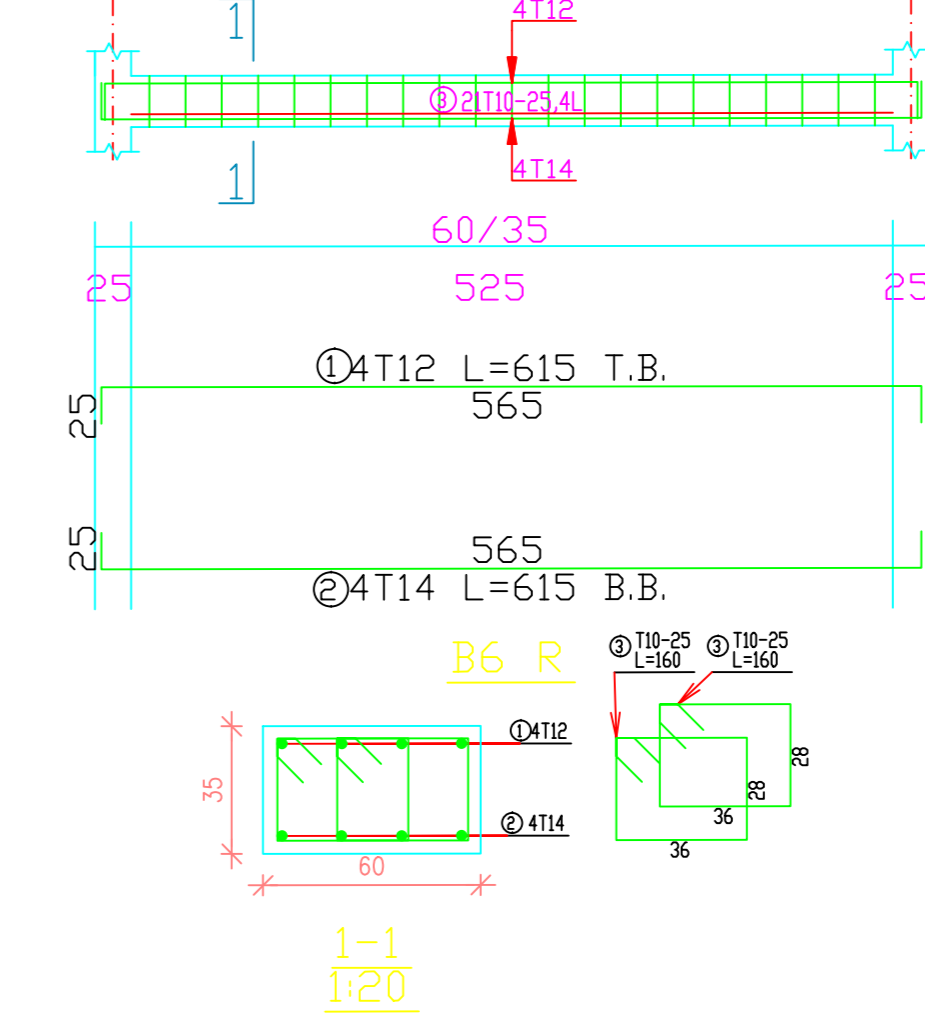
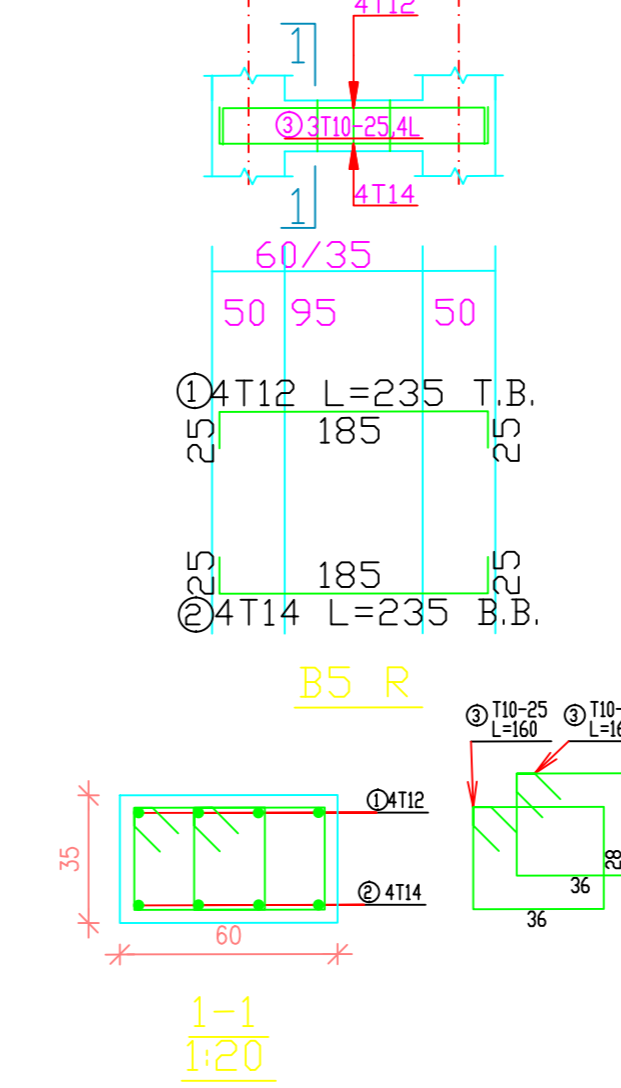
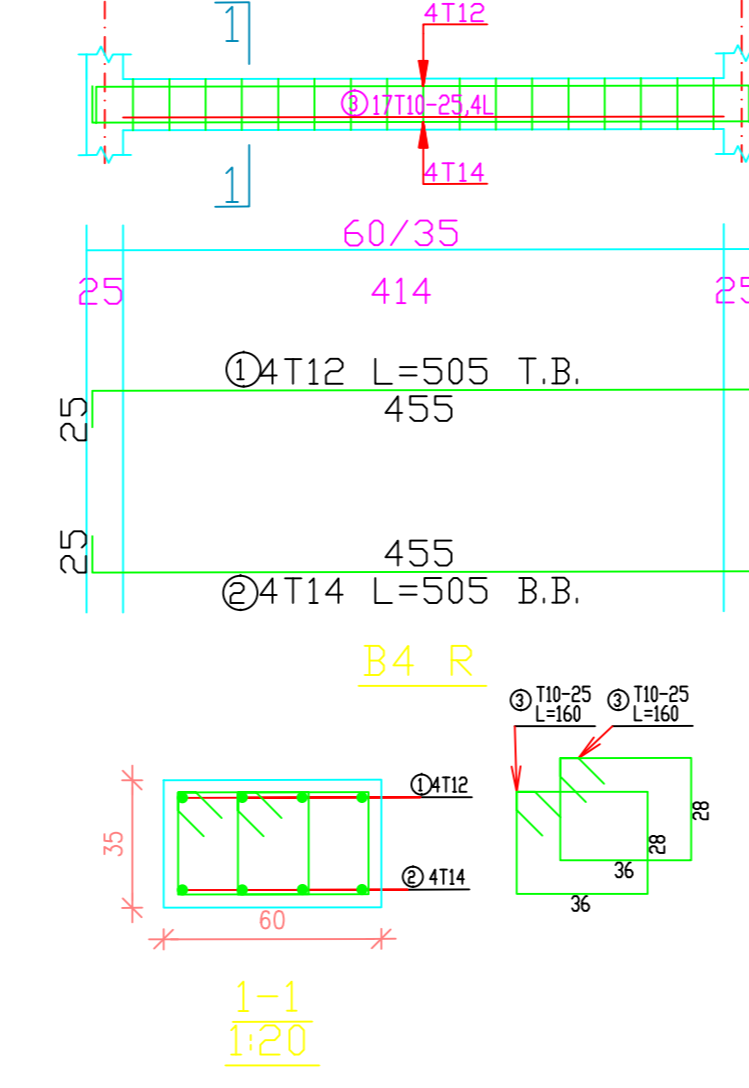
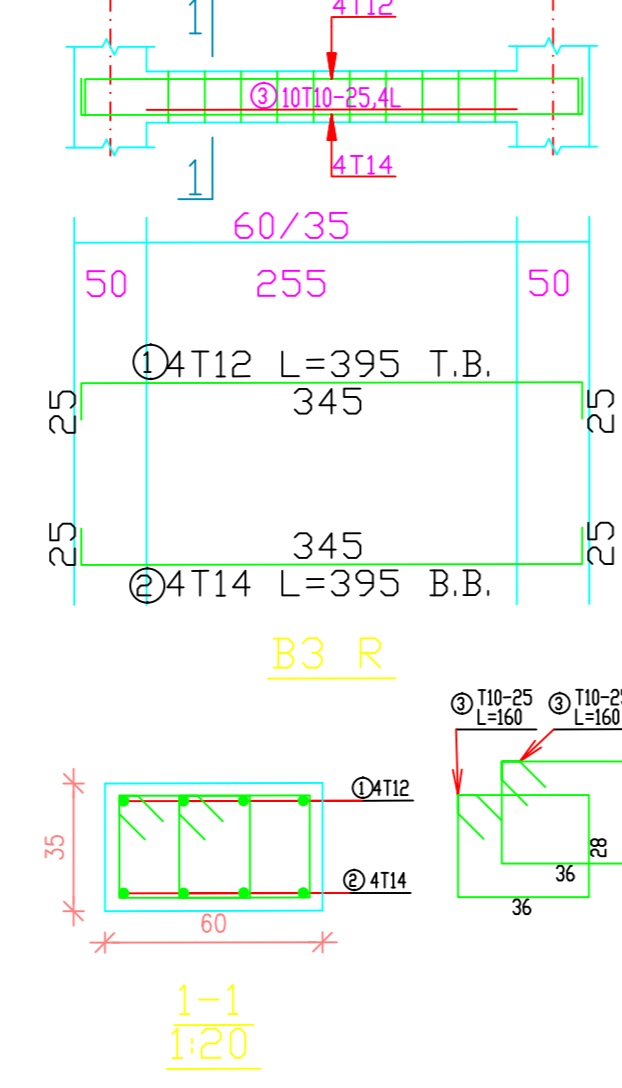
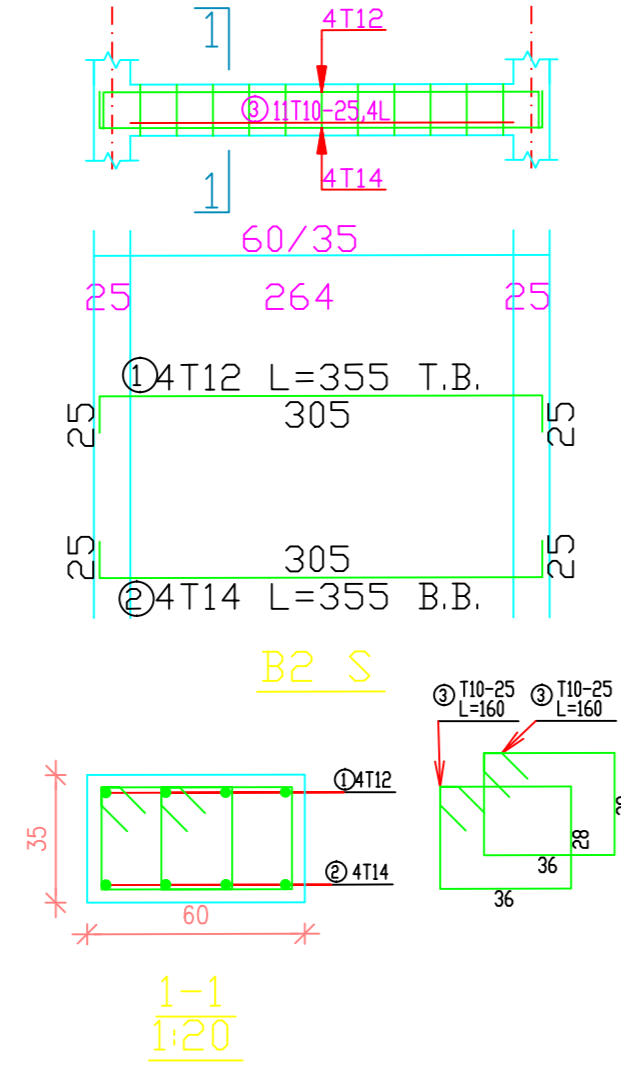
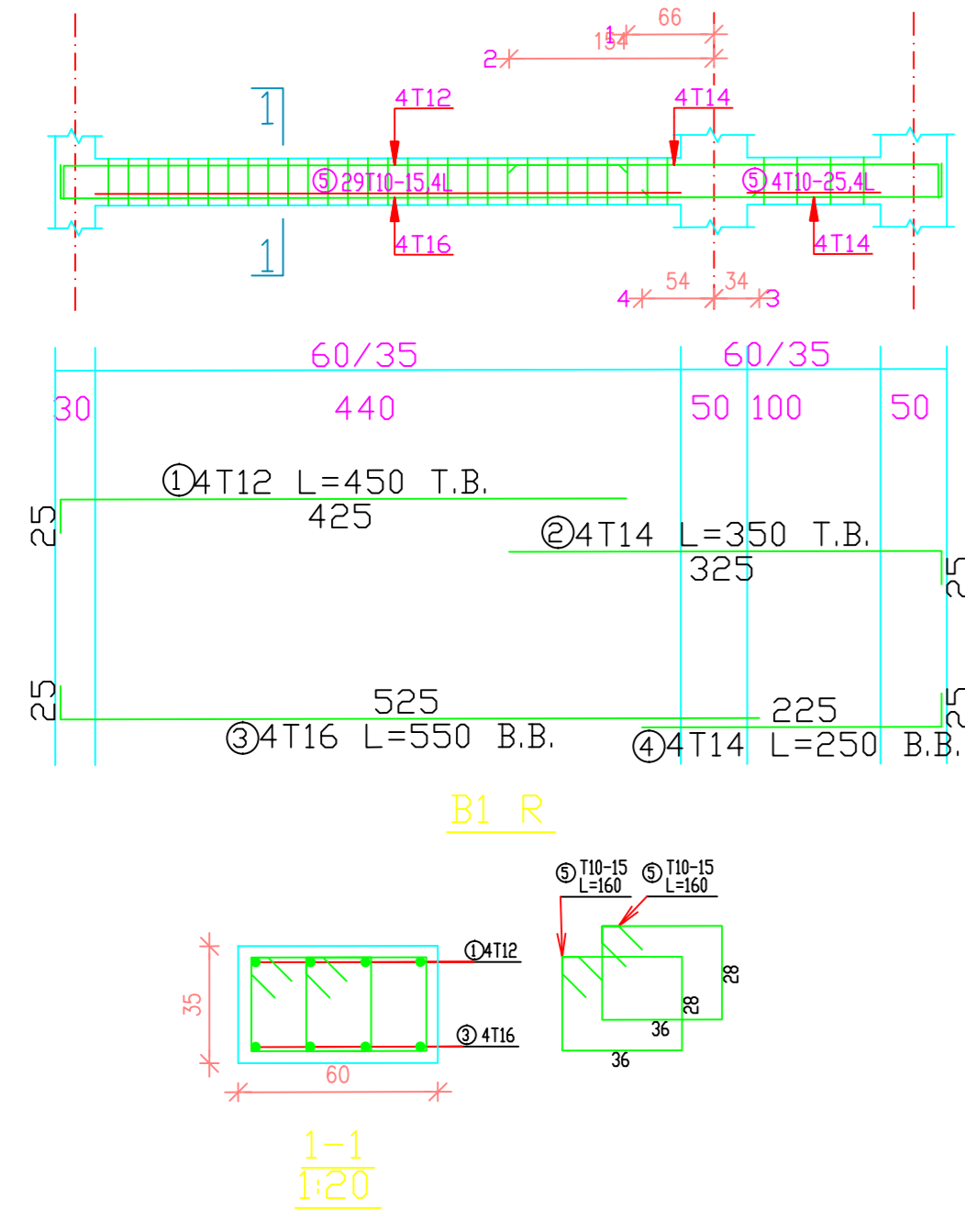
Drawing Title :
Beams Details

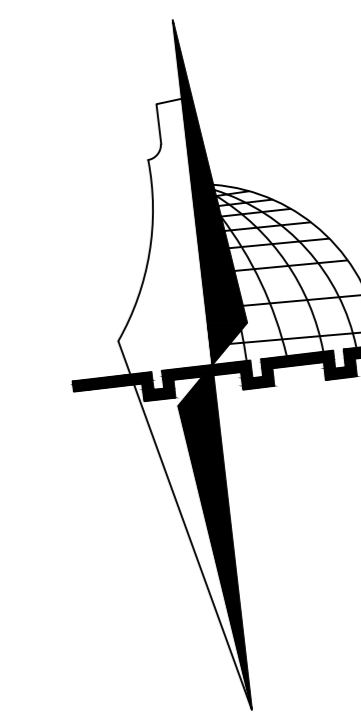
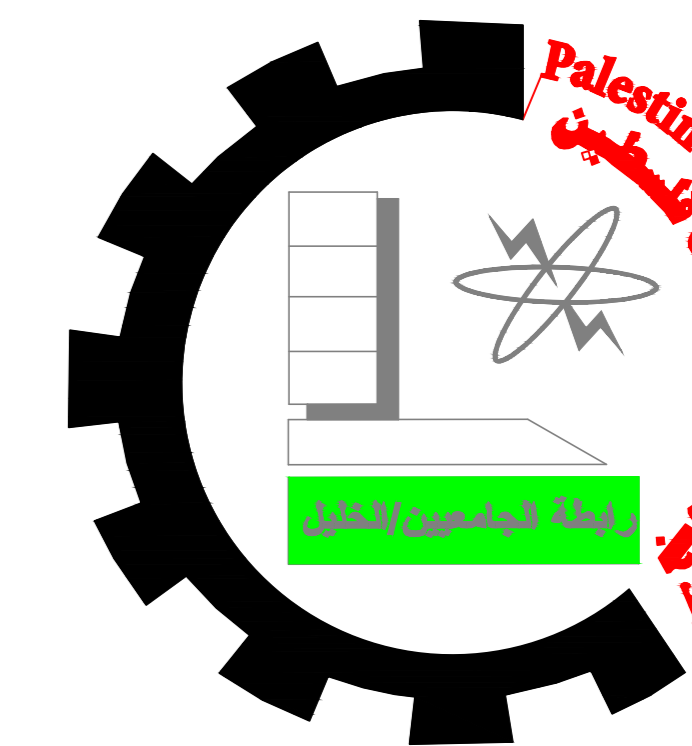
Drawing No :
551

Date : 2/6/2021

View scale 1/50

Cover 4 cm





NOTES:

All Dimensions are in meters unless otherwise shown.
All spot levels are in meters.

Palestine Polytechnic University
Civil. & Arch. Eng. Department

Building Engineering

Project :

Residential Commercial Building

Designed By :

Feras Abo-Aljaysh
Noor Beiwat
Anas Jobran

Supervisor :

Eng.Mai Haddad

Drawing Title :

Beams Details

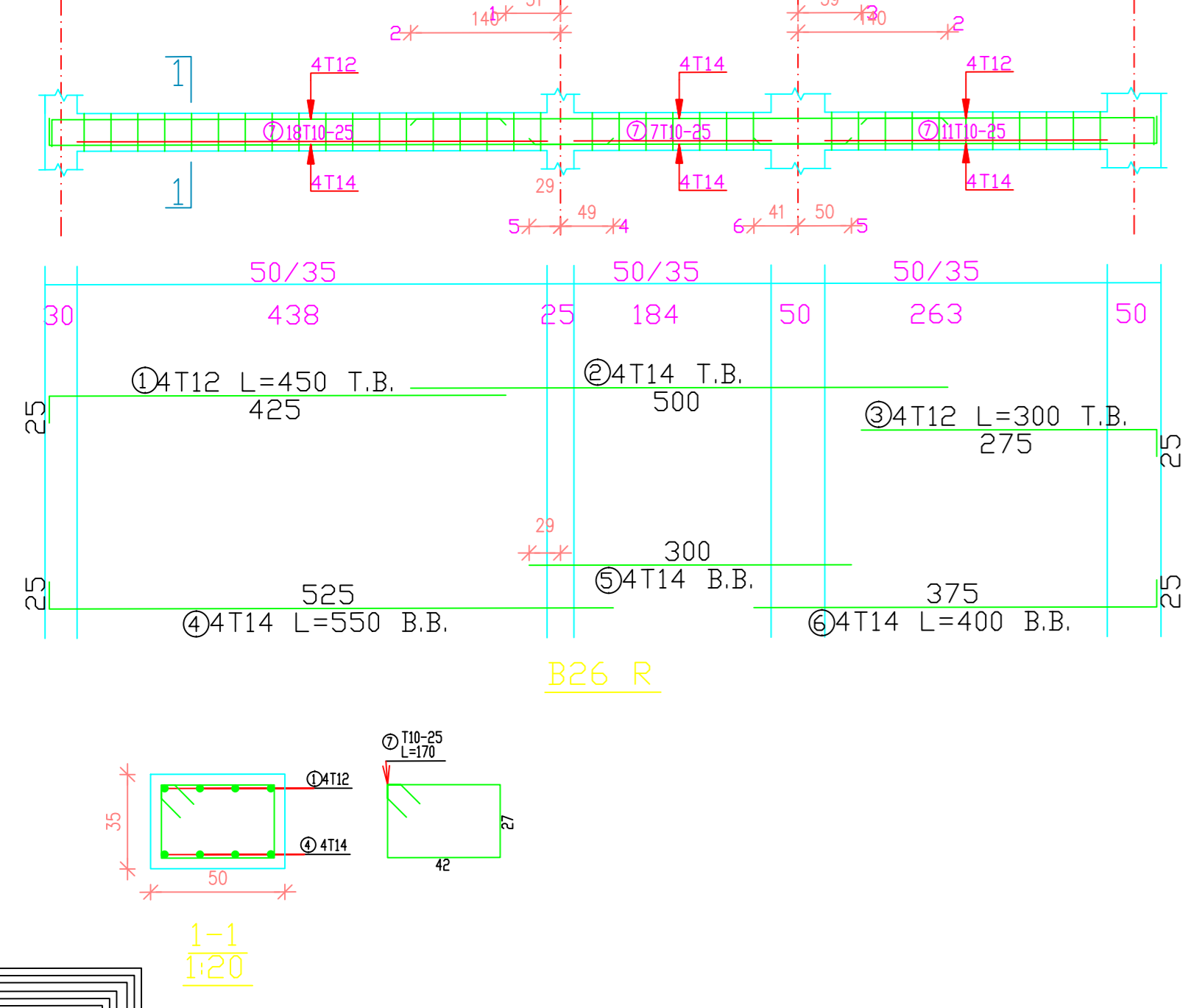
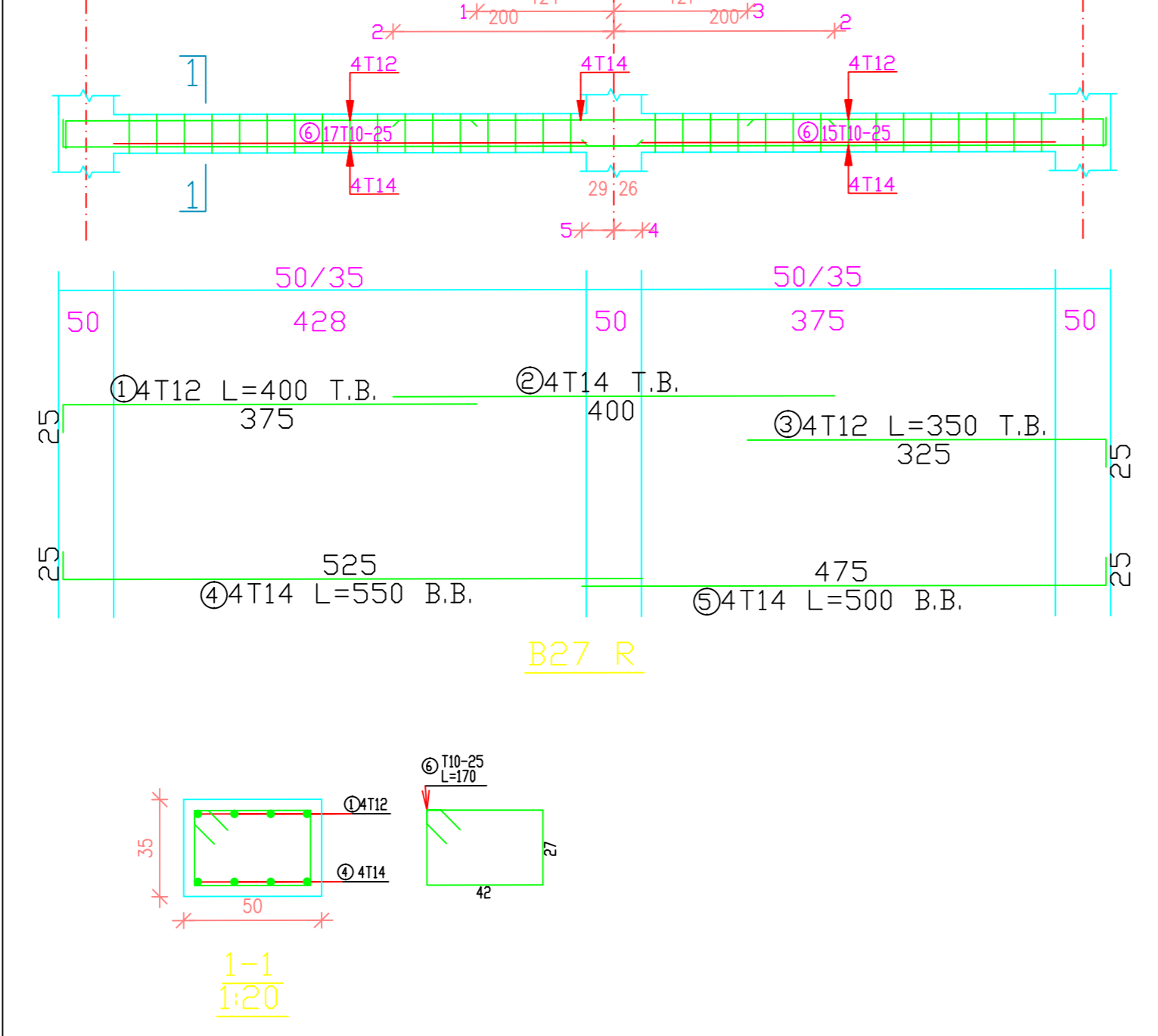
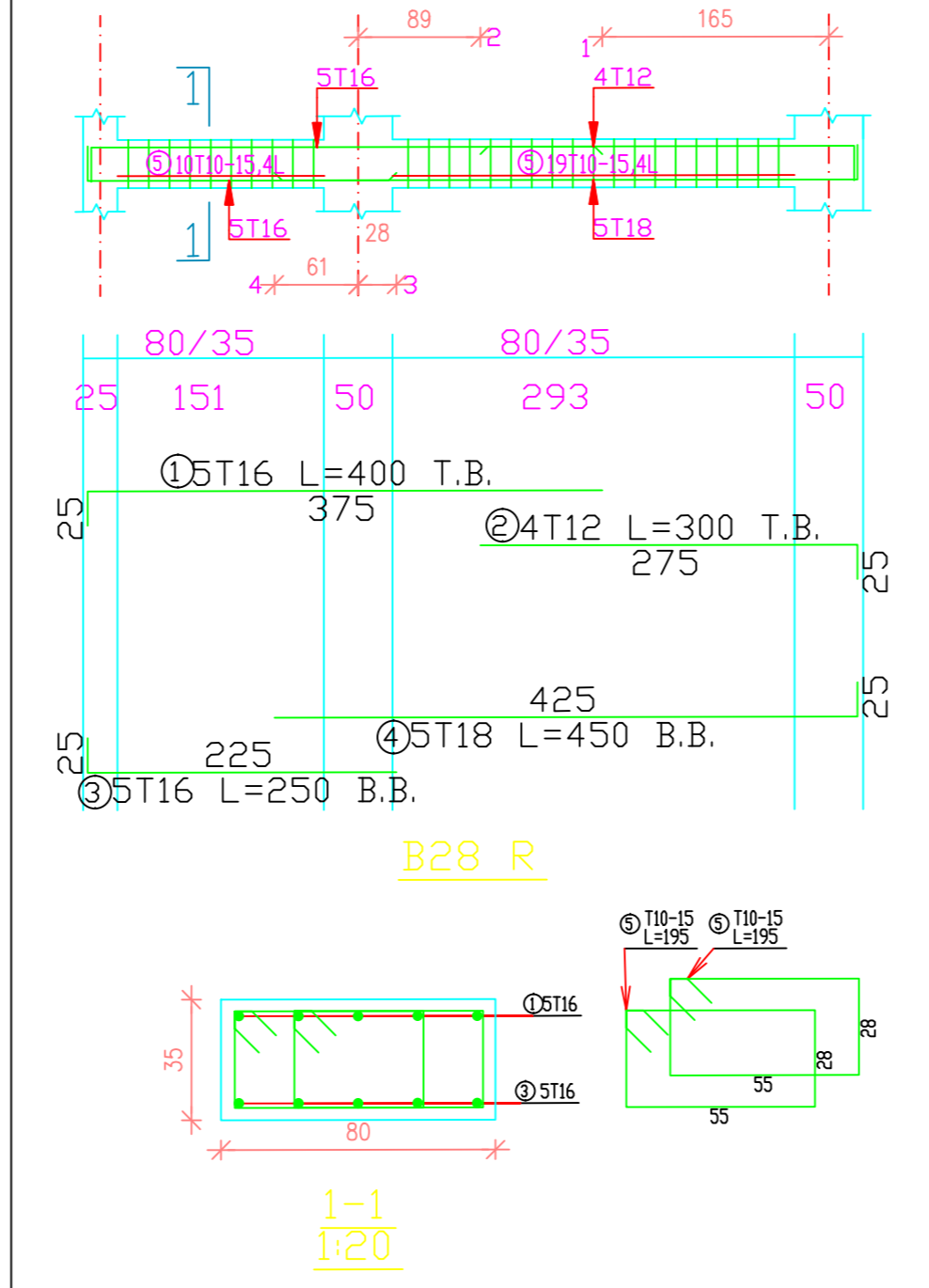
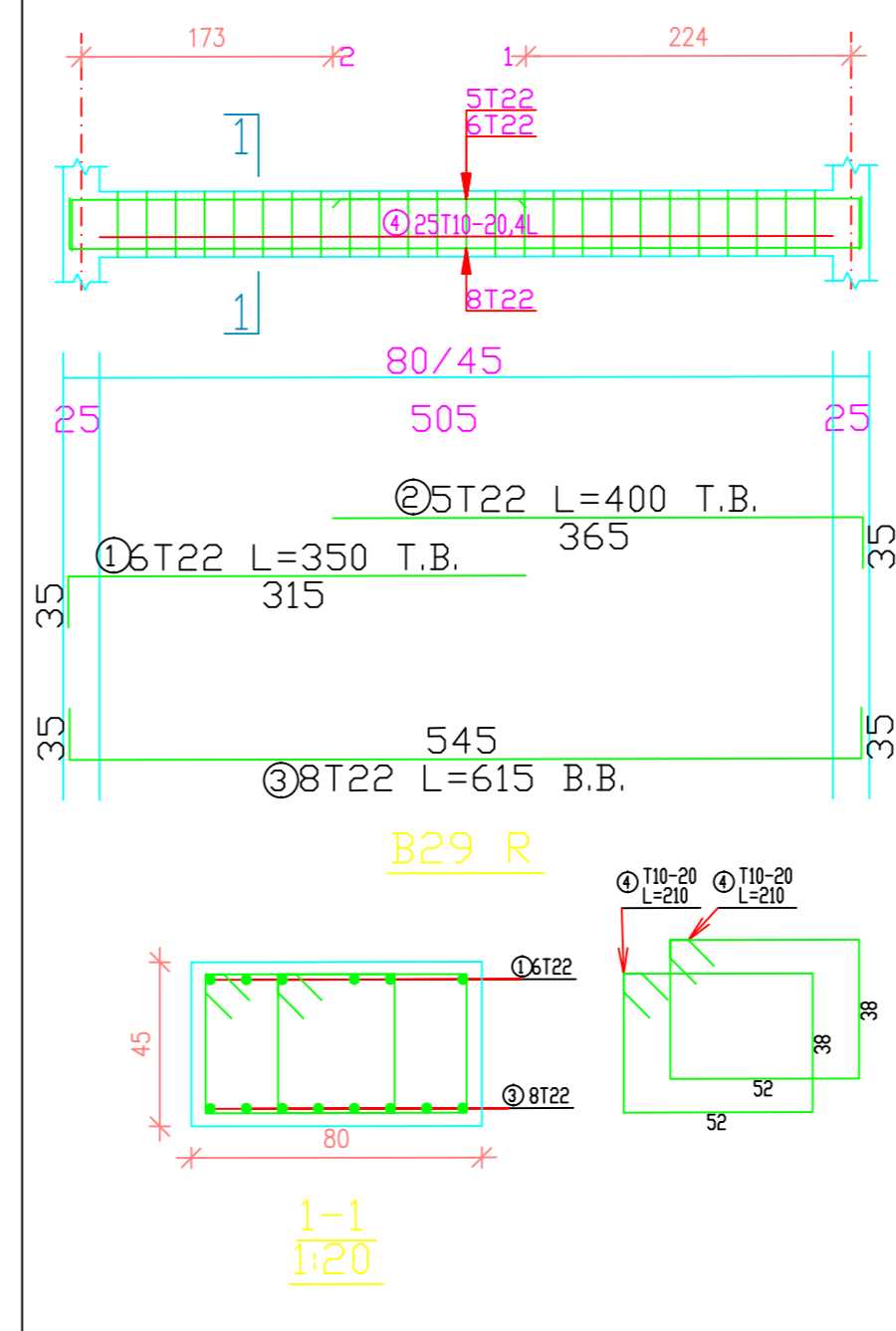
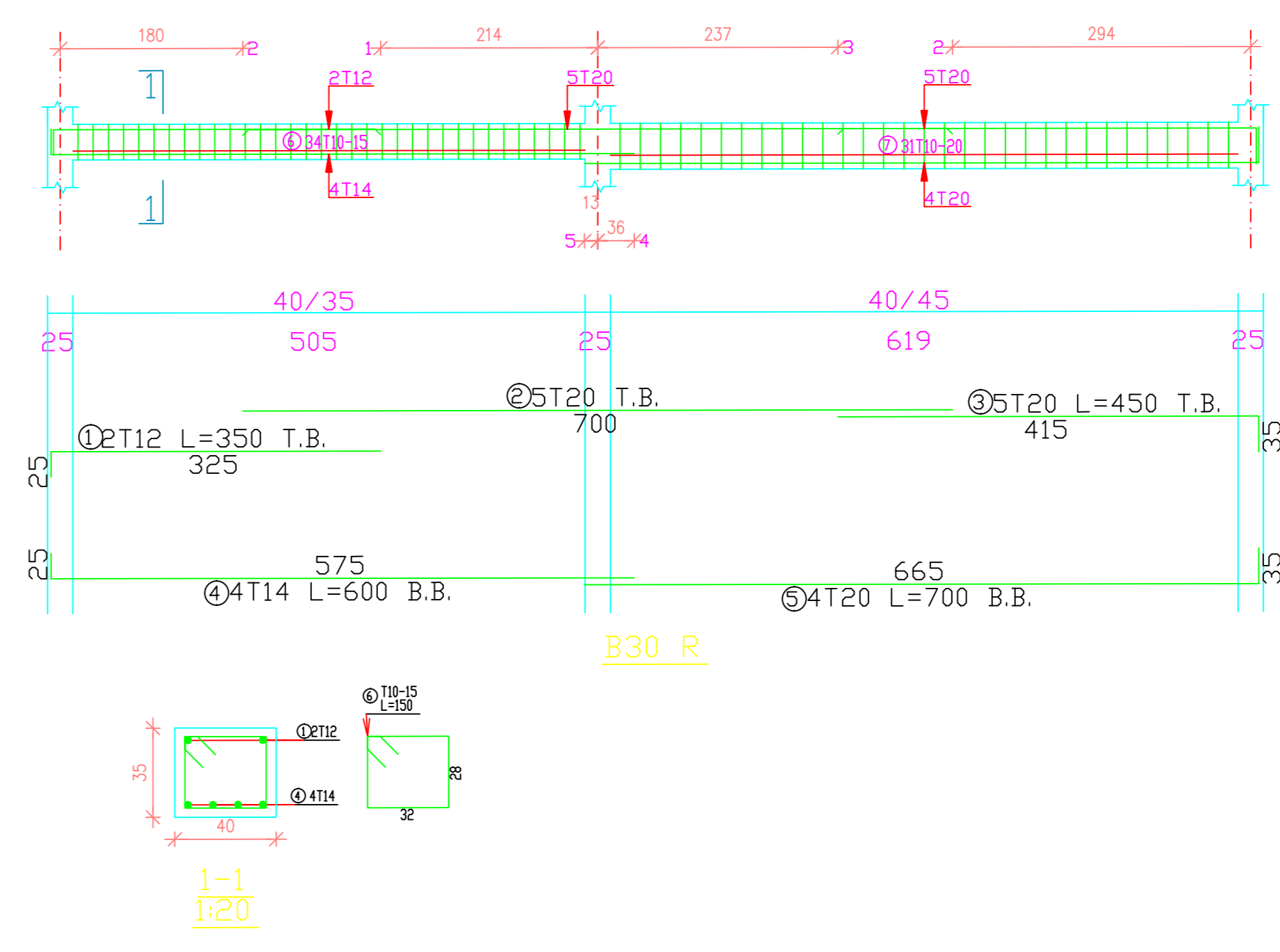
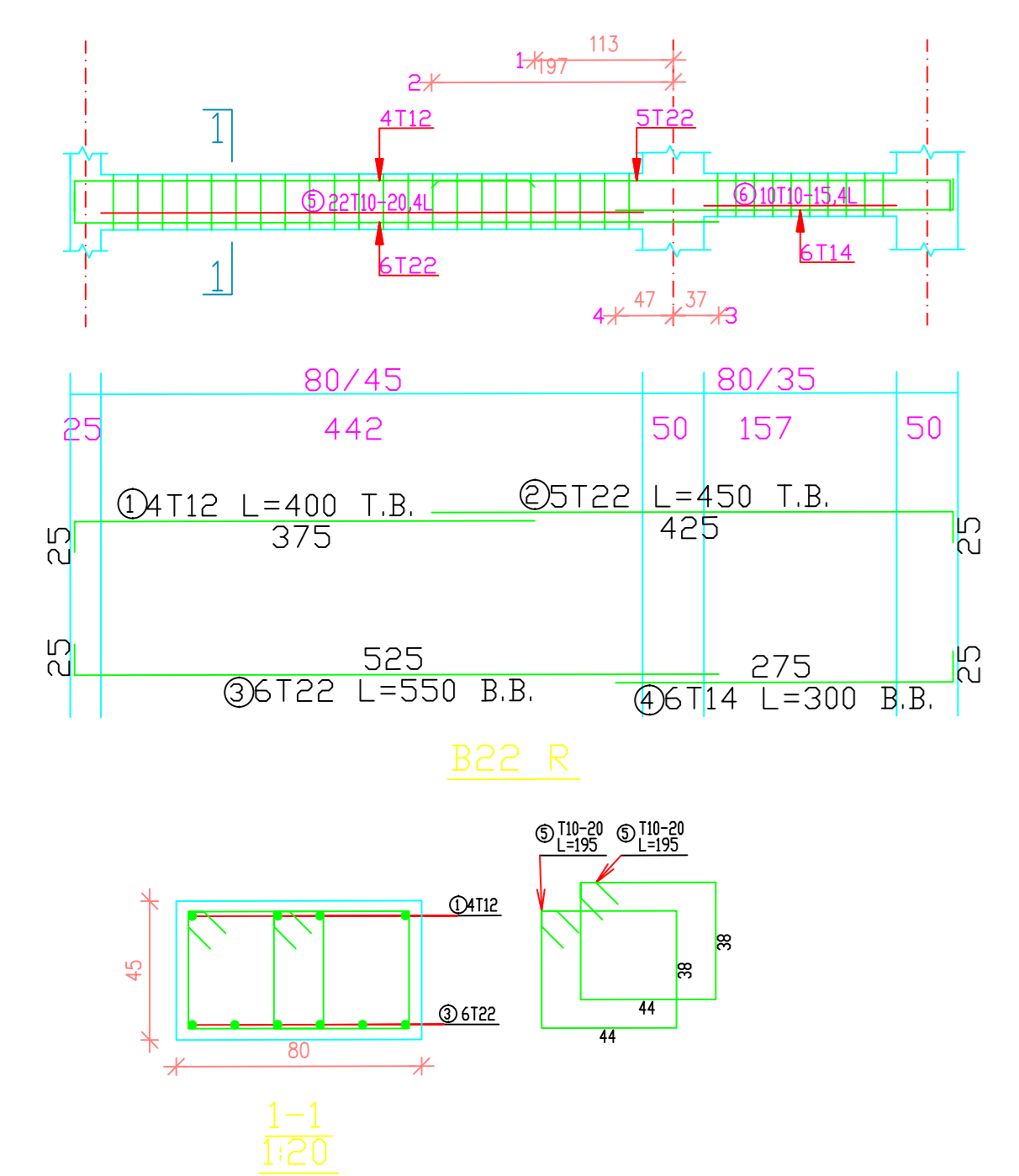
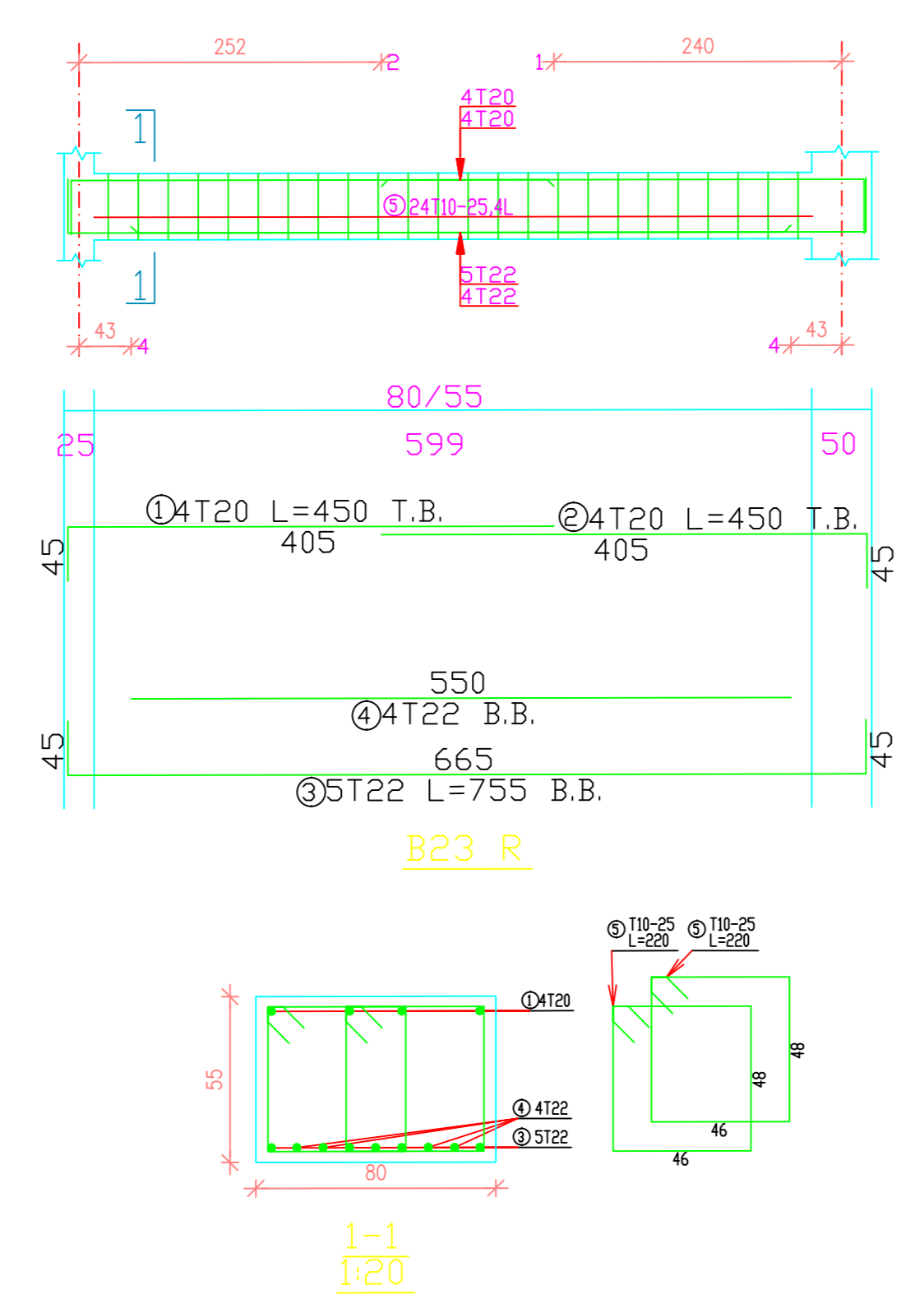
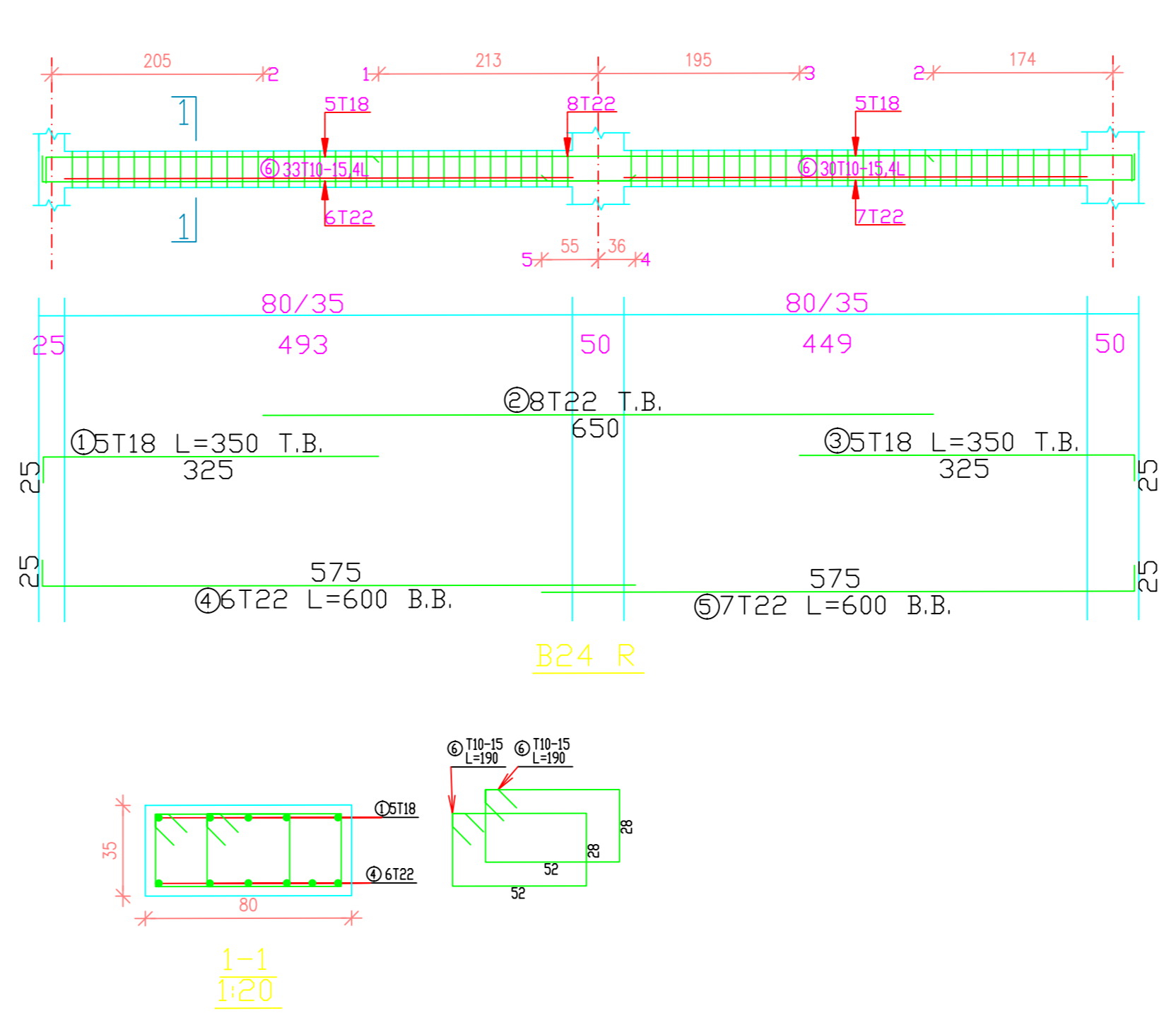
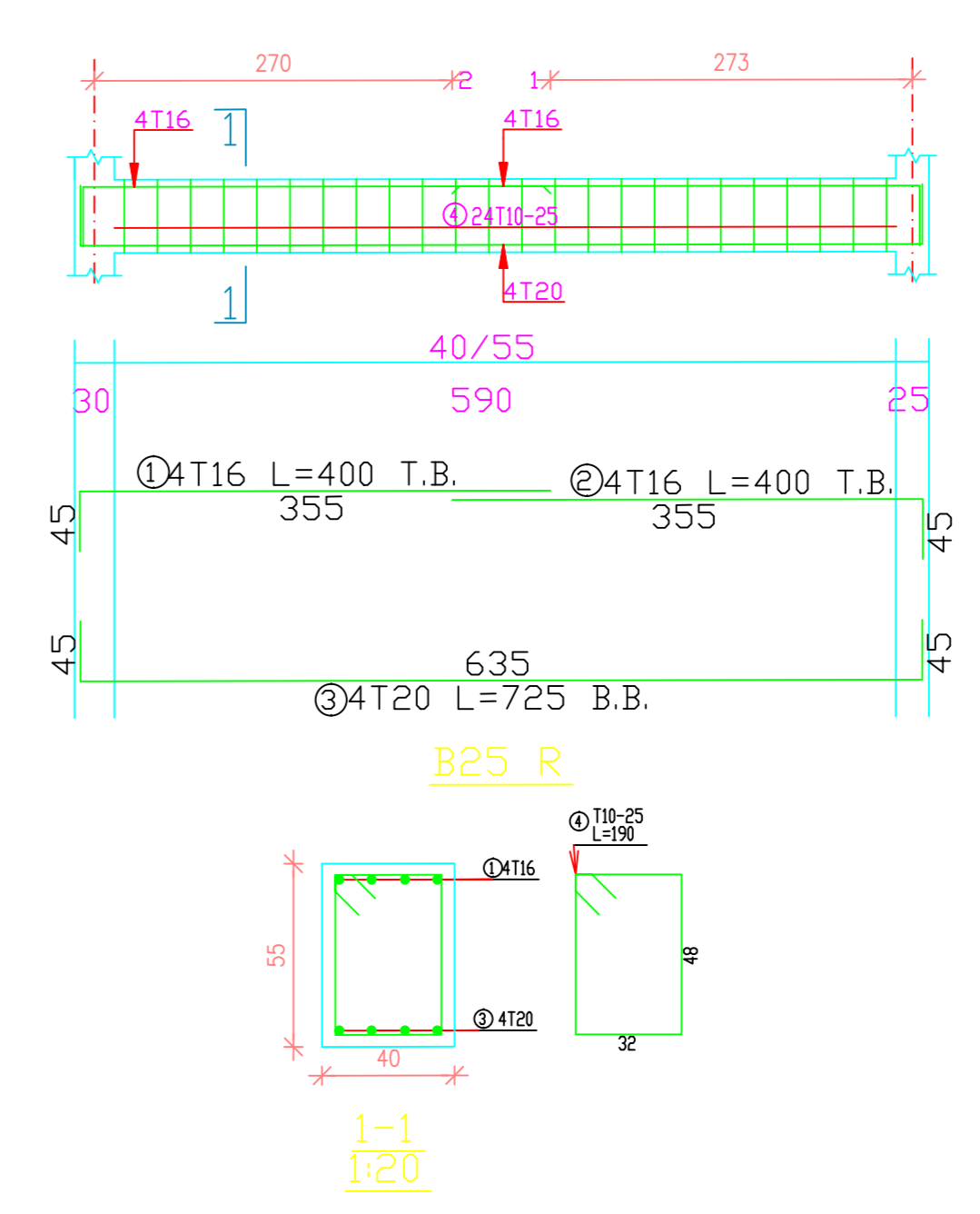
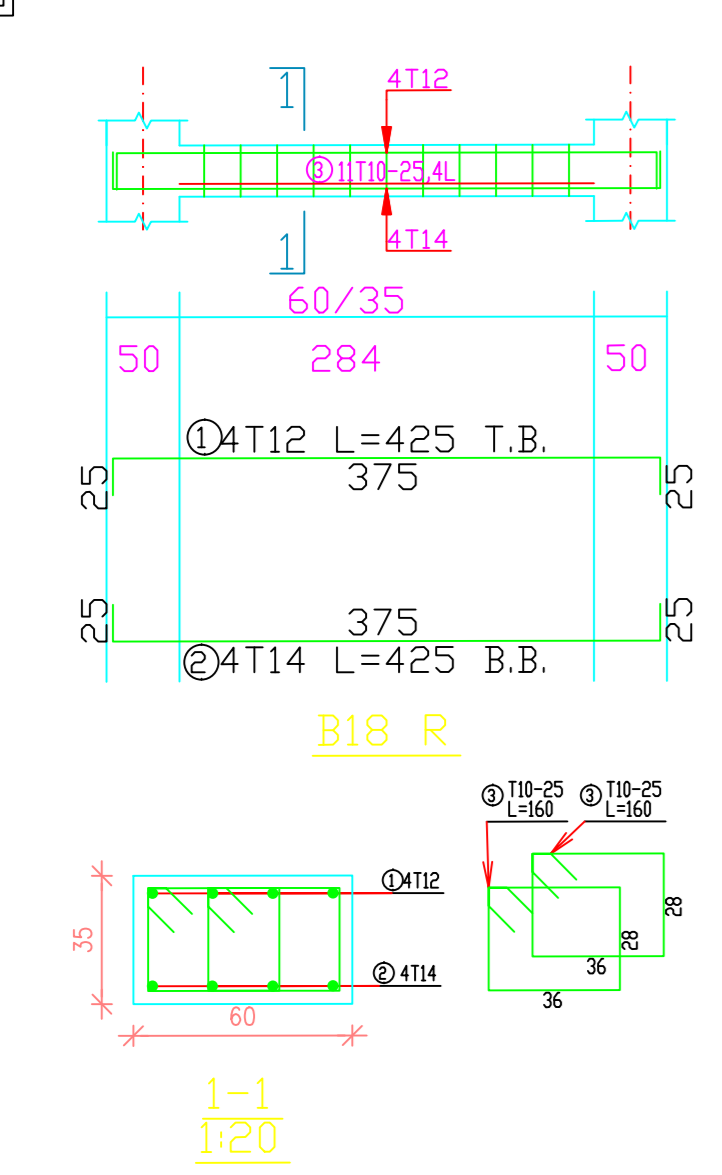
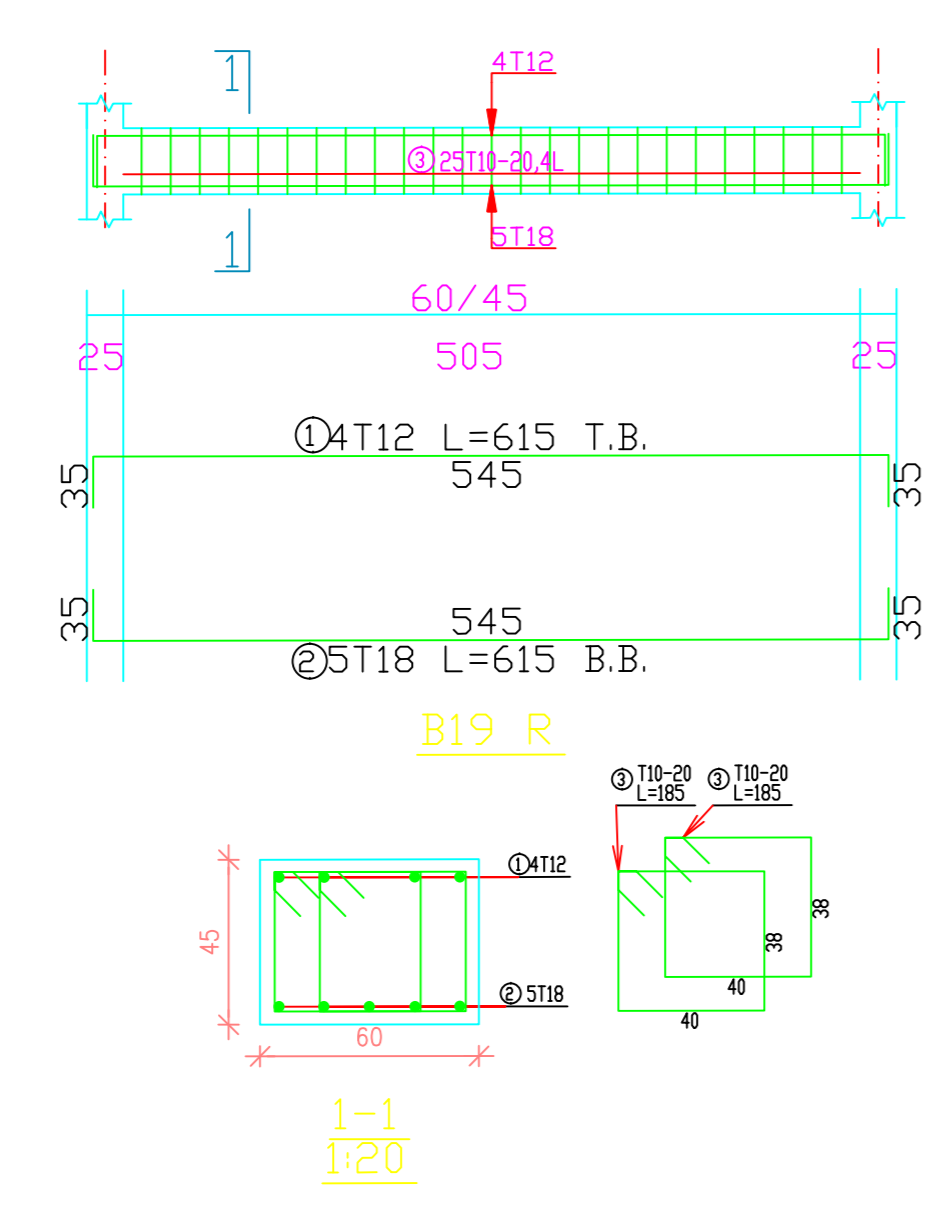
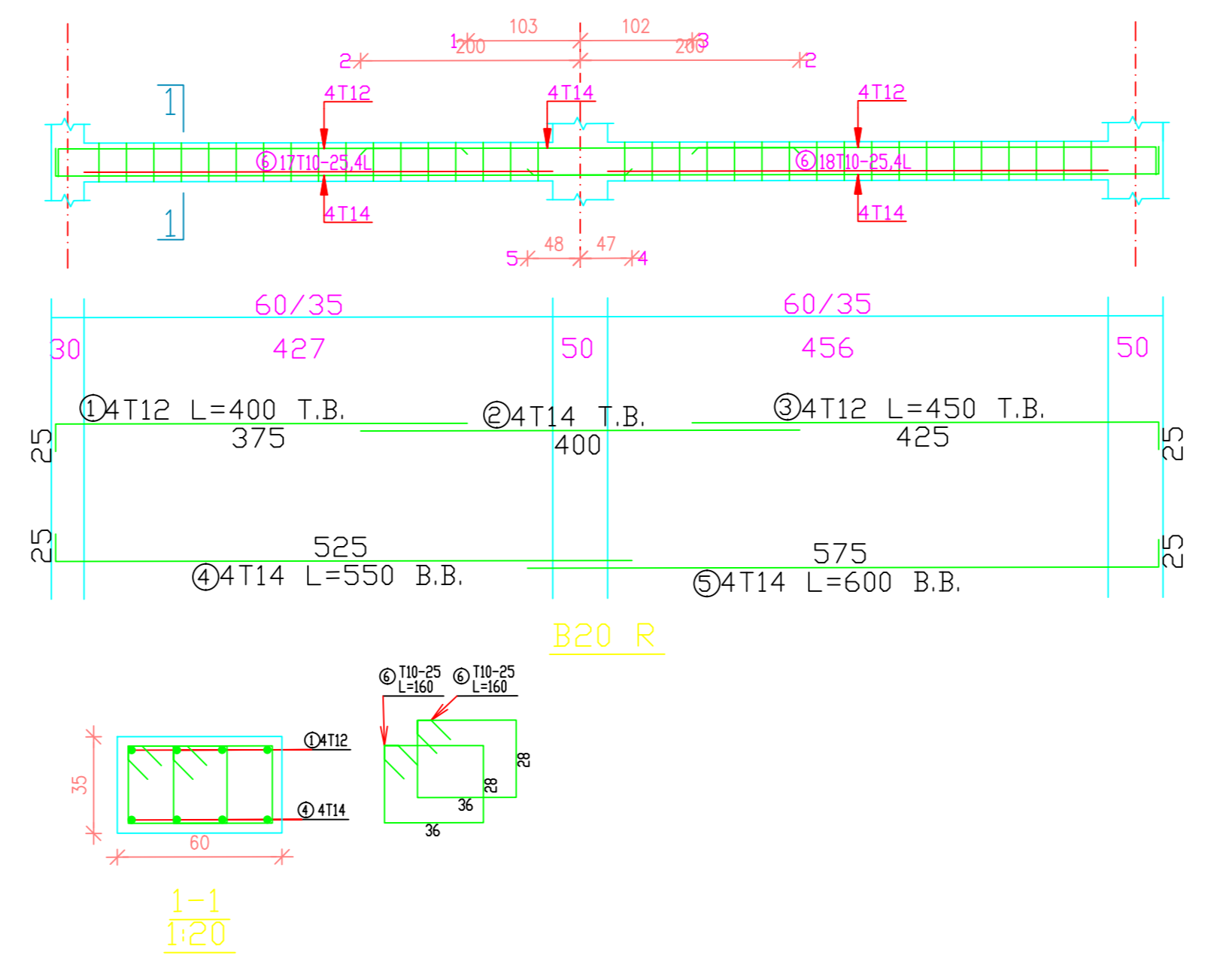
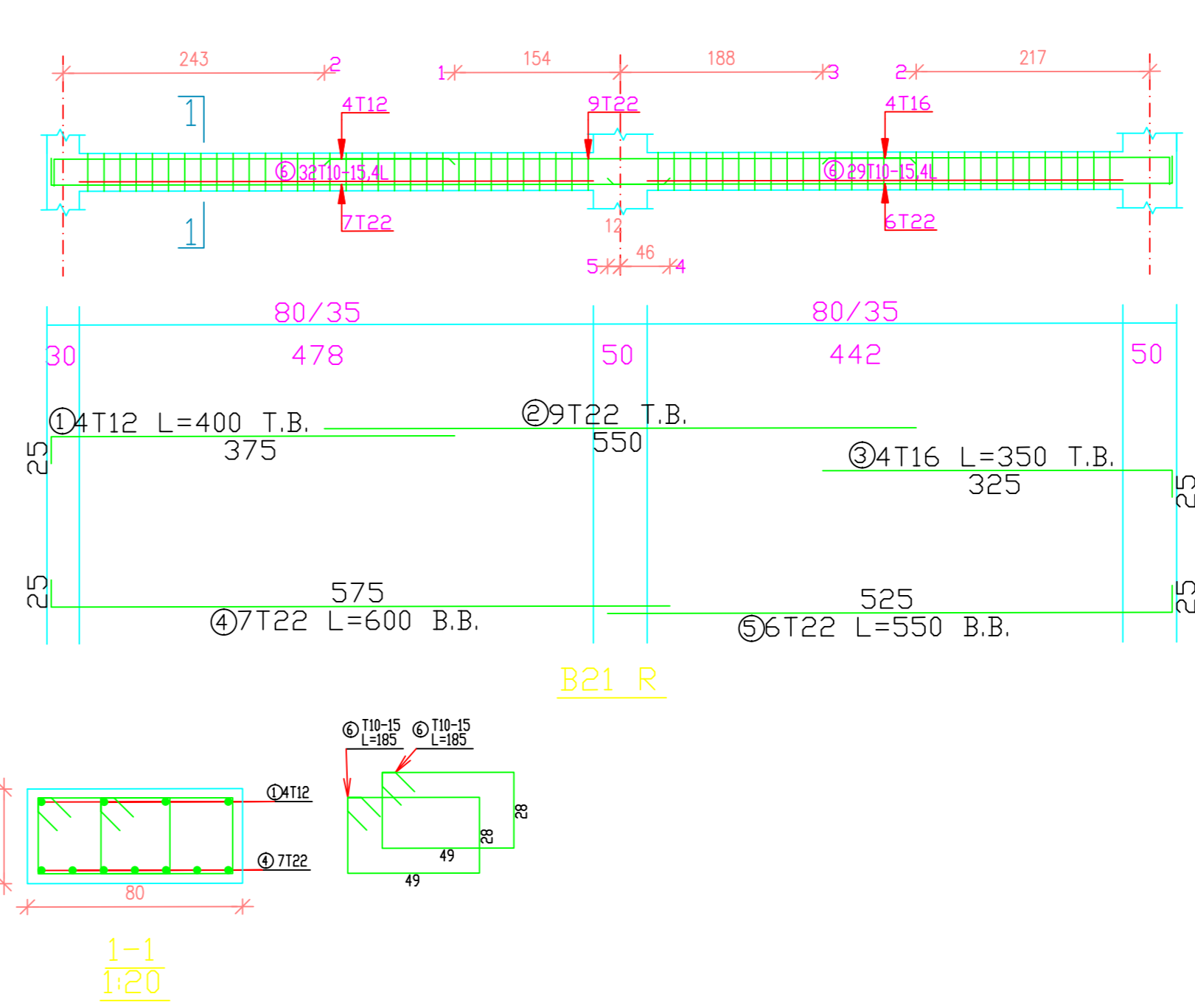
Drawing No :

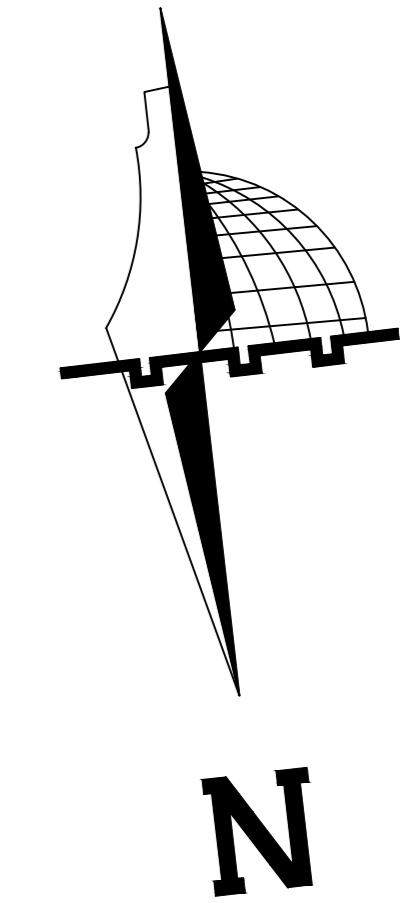
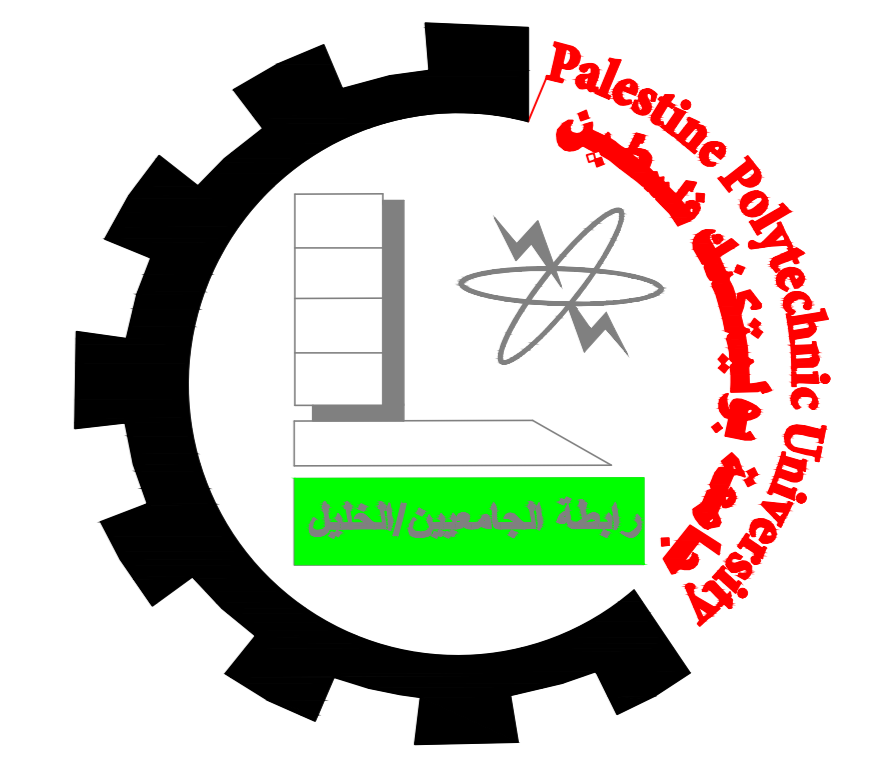
SS2

Date : 2/6/2021

View scale 1/50

Cover 4 cm





NOTES:

All Dimensions are in meters unless otherwise shown.
All spot levels are in meters.

Palestine Polytechnic University
Civil. & Arch. Eng. Department
Building Engineering

Project:

Residential Commercial Building

Designed By:

Feras Abo-Aljraysh
Noor Beiwat
Anas Jobran

Supervisor:

Eng.Mai Haddad

Drawing Title:

Stairs Details

Drawing No.:

53

Date: 2/6/2021

View scale 1/25

Cover 2 cm

